

BOXER
2-4
3-6



99730-10

GEZE

3 mm
 4 mm
 5 mm

2x
 2x
 2x

4x
 4x

1

2

3

2x
 M8x14

4

1-2 Nm

5

7-8,5 Nm

7-8,5 Nm

5 mm

6

45°

45°

7

4x
 5x20
 4x
 M5x14

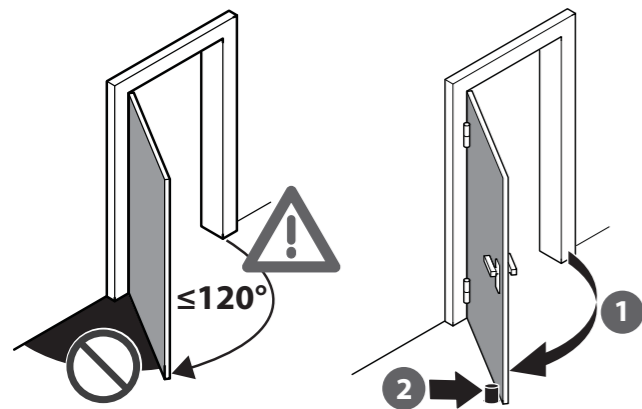
8

2x
 4,5x30
 2x
 M5x14

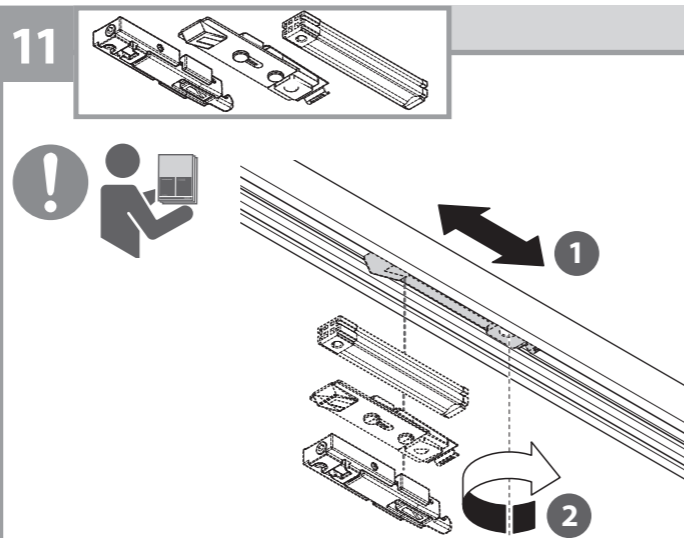
9

7-8,5 Nm

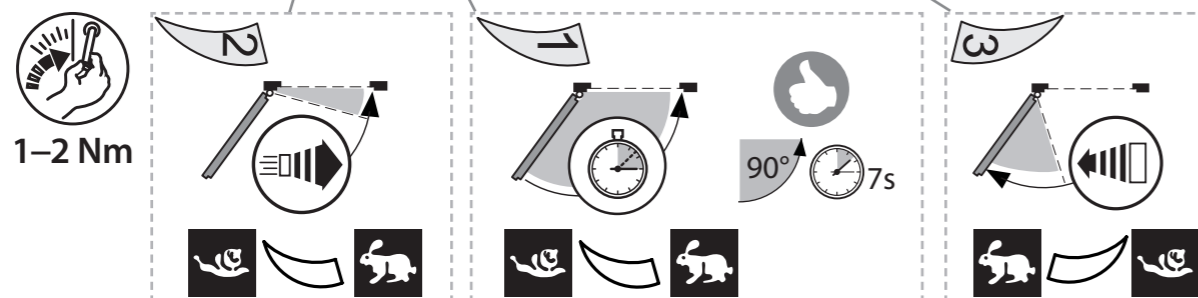
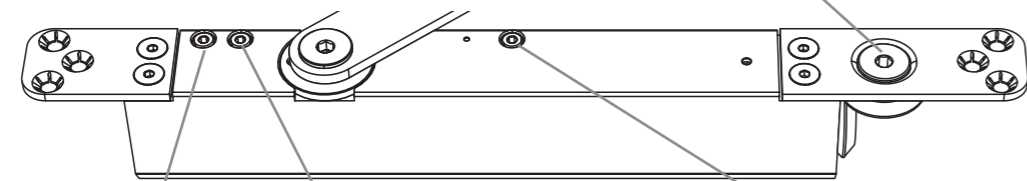
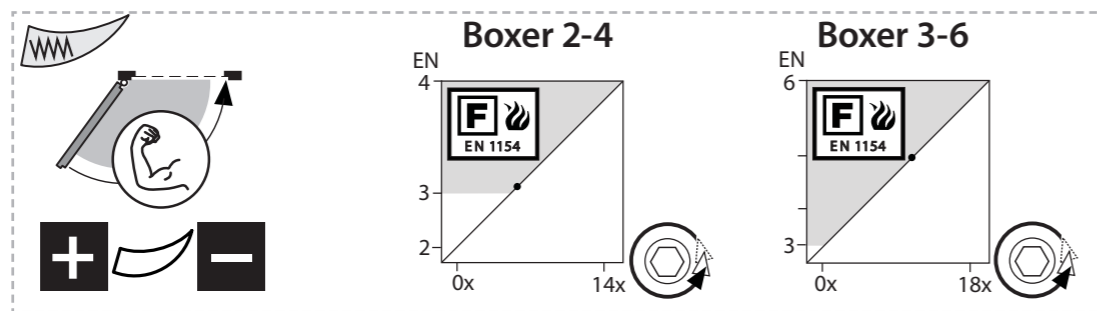
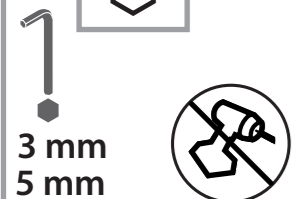
10



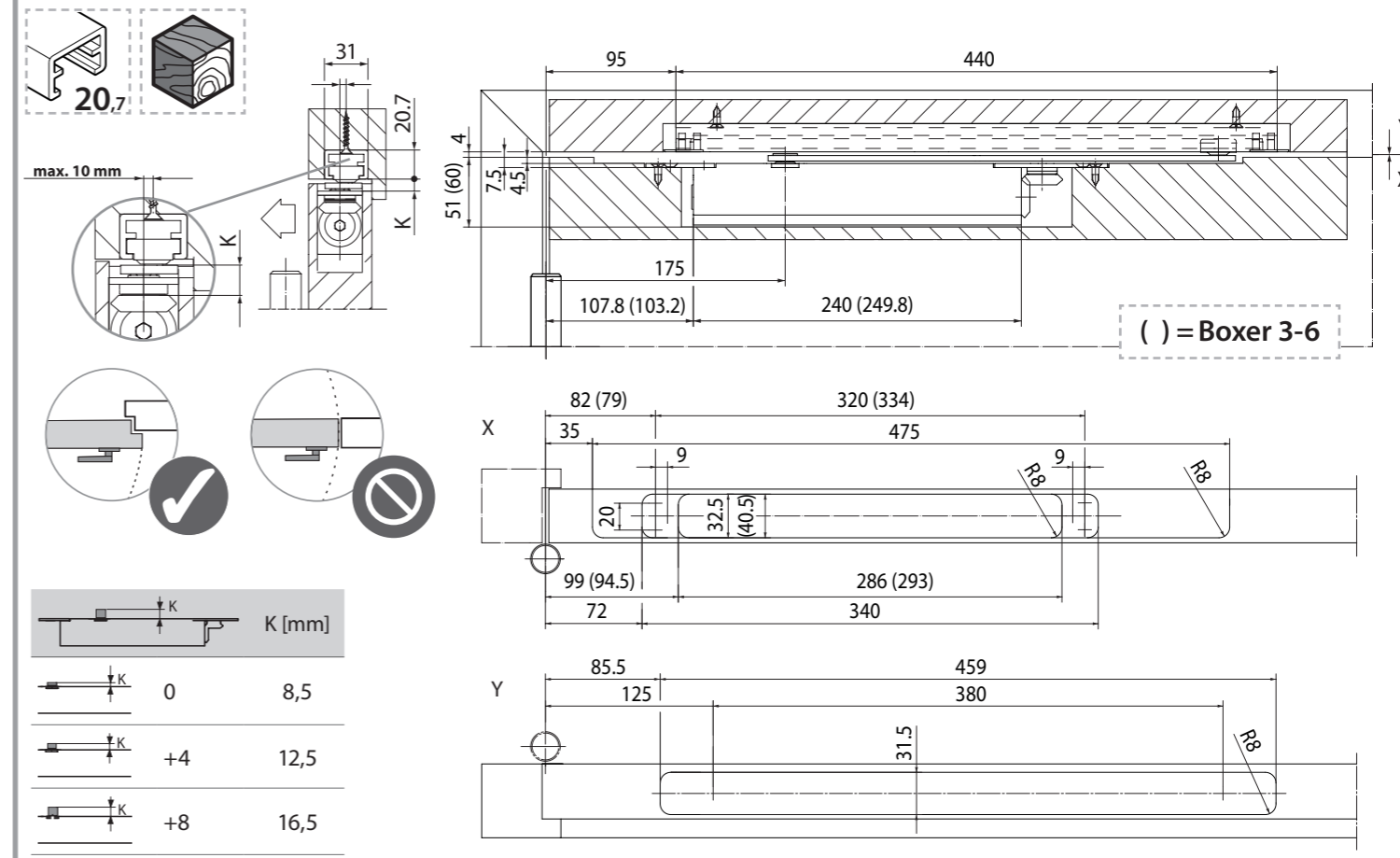
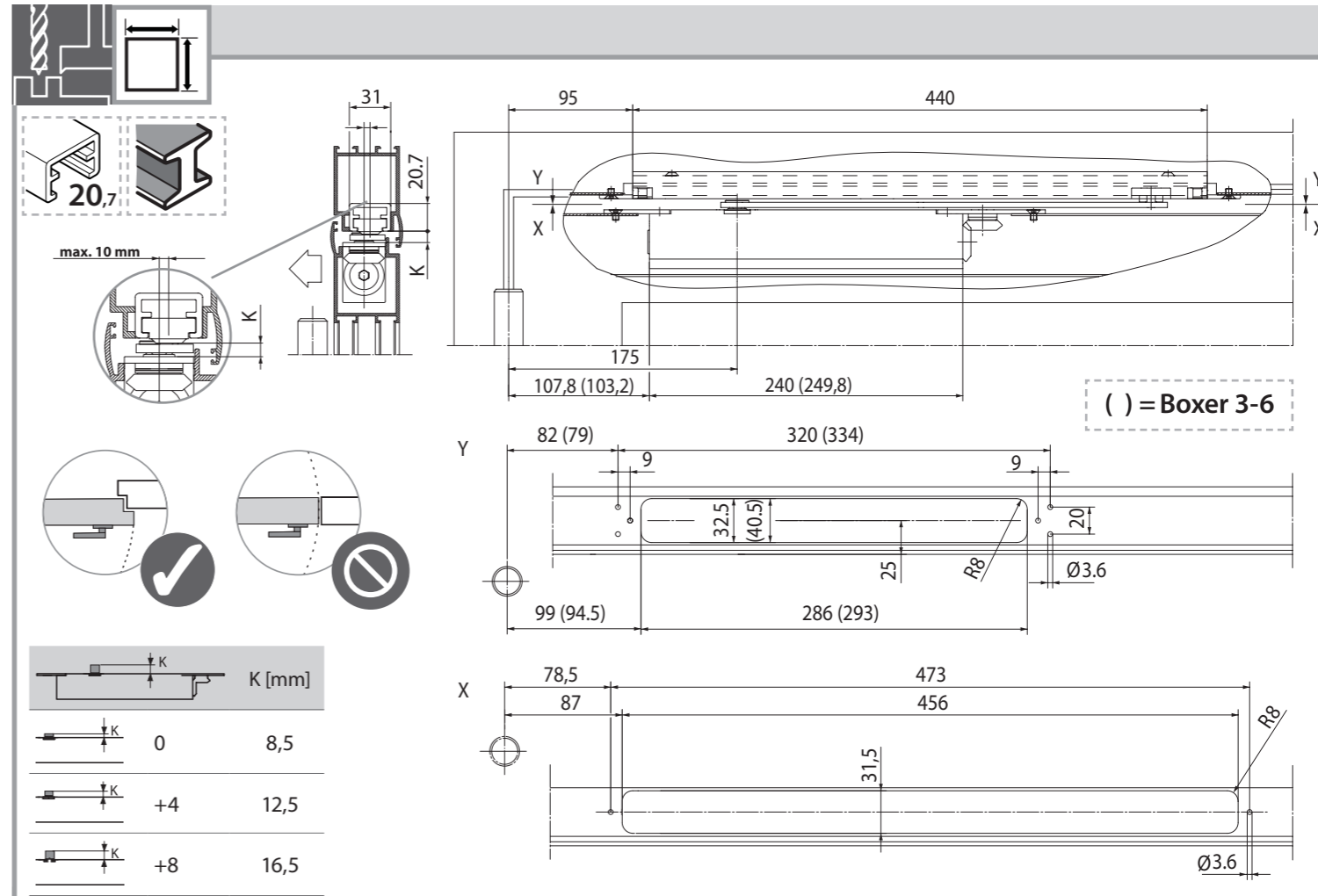
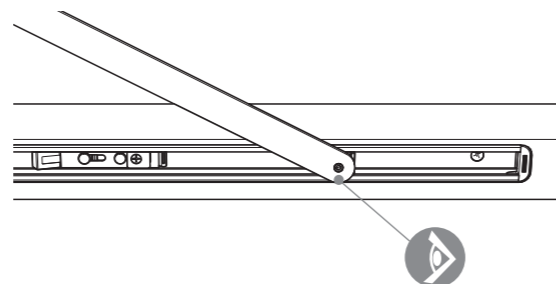
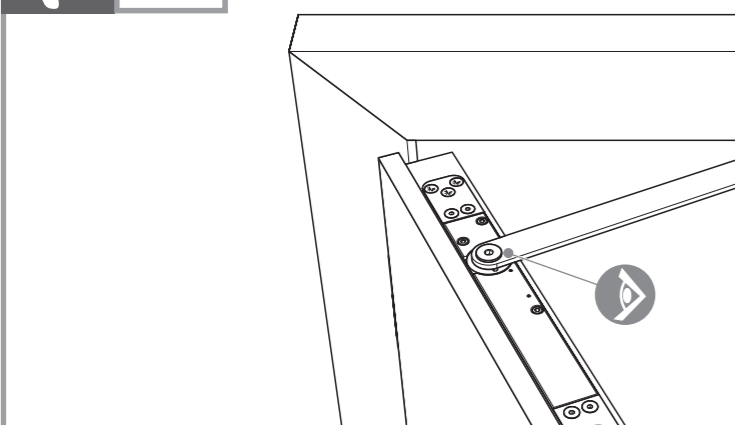
11



12



12



GEZE GmbH
Reinhold-Vöster-Strasse 21-29
71229 Leonberg
Germany

Tel.: 0049 7152 203 0
Fax: 0049 7152 203 310
www.geze.com



GEZE