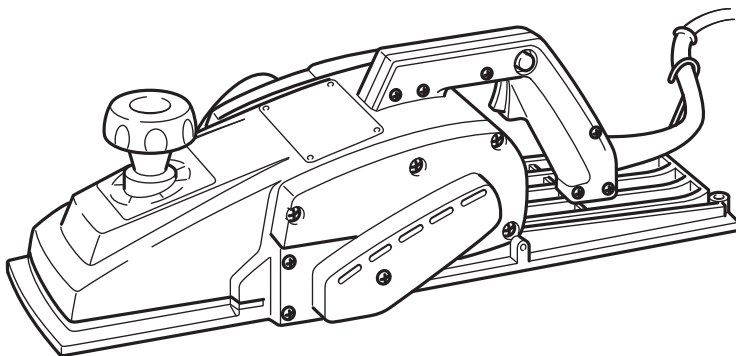
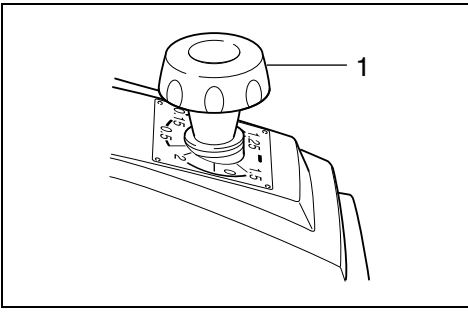




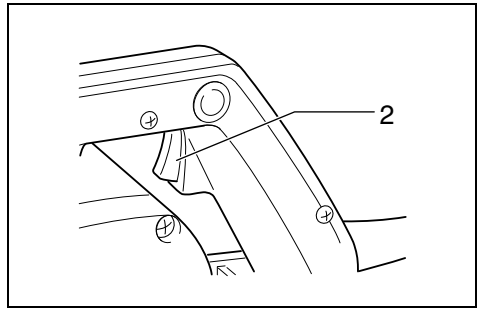
GB	Power Planer	Instruction Manual
F	Rabot	Manuel d'instructions
D	Falzhobel	Betriebsanleitung
I	Pialla	Istruzioni per l'uso
NL	Schaafmachine	Gebruiksaanwijzing
E	Cepillo	Manual de instrucciones
P	Plaina	Manual de instruções
DK	Maskinhøvl	Brugsanvisning
GR	Ηλεκτρική πλάνη	Οδηγίες χρήσεως

1806B

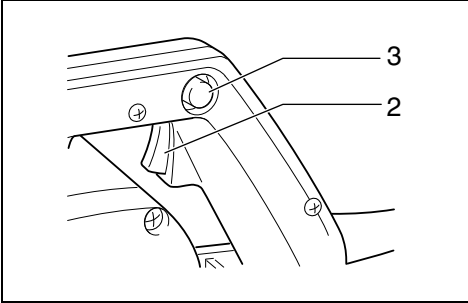




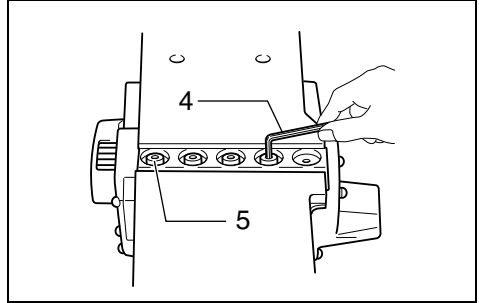
1



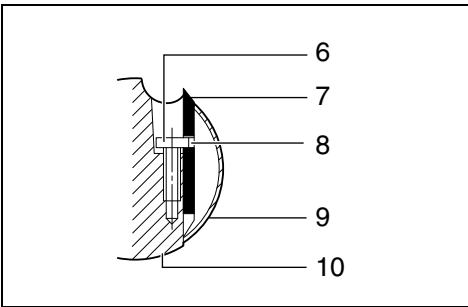
2



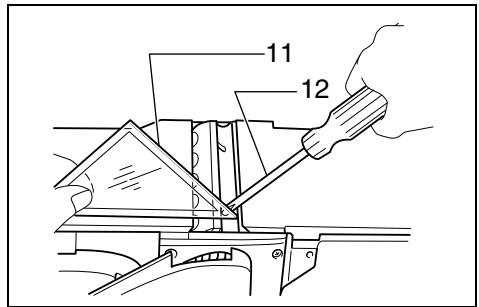
3



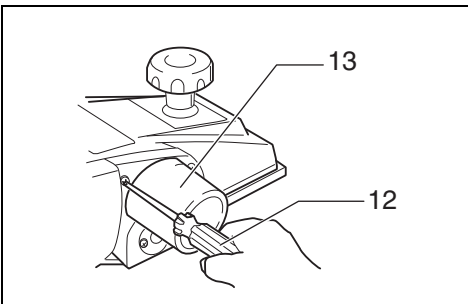
4



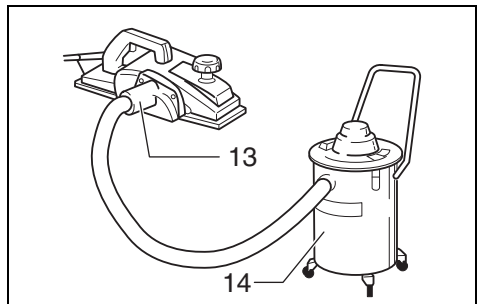
5



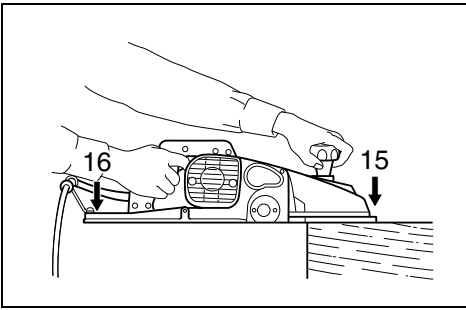
6



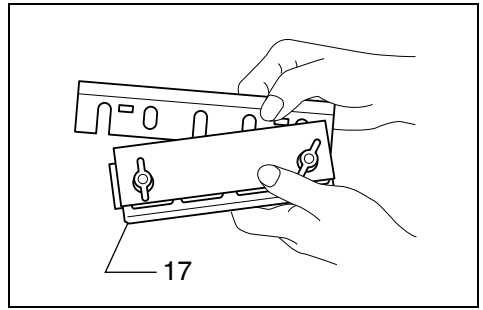
7



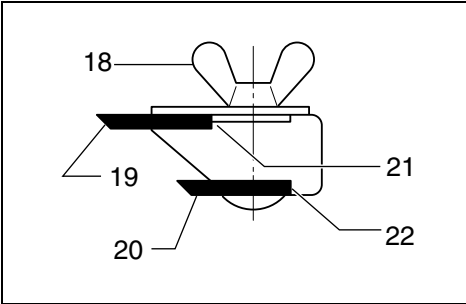
8



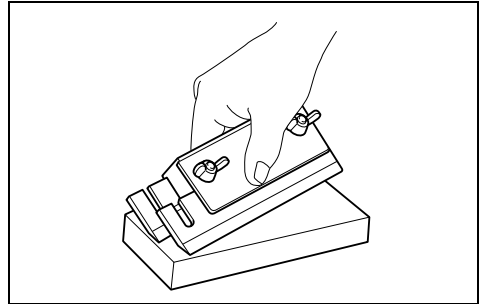
9



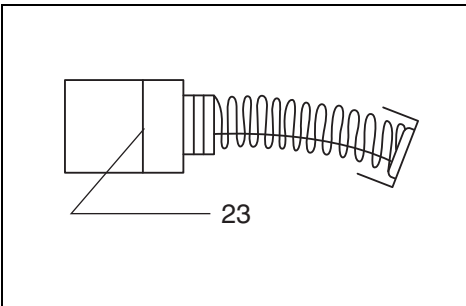
10



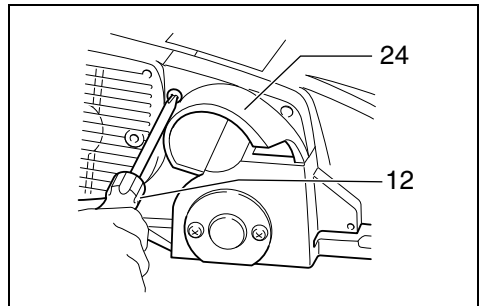
11



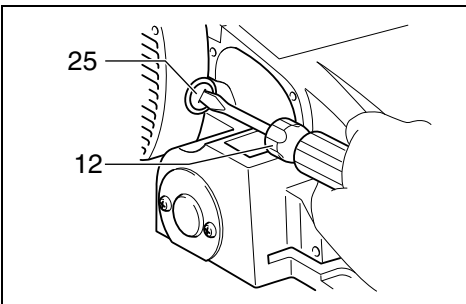
12



13



14



15

Explanation of general view

1 Knob	10 Drum	18 Wing nut
2 Switch trigger	11 Triangular rule	19 Blade (A)
3 Lock button/Lock-off button	12 Screwdriver	20 Blade (B)
4 Hex wrench	13 Nozzle	21 Side (C)
5 Bolt	14 Vacuum cleaner	22 Side (D)
6 Adjusting screw	15 Start	23 Limit mark
7 Planer blade	16 End	24 Chip cover
8 Notch in the blade	17 Sharpening holder	25 Brush holder cap
9 Drum cover		

SPECIFICATIONS

Model	1806B
Planing width	170 mm
Planing depth	2 mm
No load speed (min ⁻¹)	15,000
Overall length	529 mm
Net weight	9.0 kg
Safety class	II

- Due to our continuing program of research and development, the specifications herein are subject to change without notice.
- Specifications may differ from country to country.
- Weight according to EPTA-Procedure 01/2003

Intended use

The tool is intended for planing wood.

ENE001-1

Power supply

The tool should be connected only to a power supply of the same voltage as indicated on the nameplate, and can only be operated on single-phase AC supply. They are double-insulated and can, therefore, also be used from sockets without earth wire.

ENF002-2

For public low-voltage distribution systems of between 220 V and 250 V

Switching operations of electric apparatus cause voltage fluctuations. The operation of this device under unfavorable mains conditions can have adverse effects to the operation of other equipment. With a mains impedance equal or less than 0.41 Ohms it can be presumed that there will be no negative effects.

The mains socket used for this device must be protected with a fuse or protective circuit breaker having slow tripping characteristics.

ENF100-1

GEA010-1

General Power Tool Safety Warnings

⚠ WARNING Read all safety warnings and all instructions. Failure to follow the warnings and instructions may result in electric shock, fire and/or serious injury.

Save all warnings and instructions for future reference.

GEB010-4

PLANER SAFETY WARNINGS

1. **Wait for the cutter to stop before setting the tool down.** An exposed cutter may engage the surface leading to possible loss of control and serious injury.

2. **Hold the power tool by insulated gripping surfaces only, because the cutter may contact its own cord.** Cutting a "live" wire may make exposed metal parts of the power tool "live" and could give the operator an electric shock.
3. **Use clamps or another practical way to secure and support the workpiece to a stable platform.** Holding the work by hand or against your body leaves it unstable and may lead to loss of control.
4. **Rags, cloth, cord, string and the like should never be left around the work area.**
5. **Avoid cutting nails. Inspect for and remove all nails from the workpiece before operation.**
6. **Use only sharp blades. Handle the blades very carefully.**
7. **Be sure the blade installation bolts are securely tightened before operation.**
8. **Hold the tool firmly with both hands.**
9. **Keep hands away from rotating parts.**
10. **Before using the tool on an actual workpiece, let it run for a while. Watch for vibration or wobbling that could indicate poor installation or a poorly balanced blade.**
11. **Make sure the blade is not contacting the workpiece before the switch is turned on.**
12. **Wait until the blade attains full speed before cutting.**
13. **Always switch off and wait for the blades to come to a complete stop before any adjusting.**
14. **Never stick your finger into the chip chute. Chute may jam when cutting damp wood. Clean out chips with a stick.**
15. **Do not leave the tool running. Operate the tool only when hand-held.**
16. **Always change both blades or covers on the drum, otherwise the resulting imbalance will cause vibration and shorten tool life.**
17. **Use only Makita blades specified in this manual.**
18. **Always use the correct dust mask/respirator for the material and application you are working with.**

SAVE THESE INSTRUCTIONS.

WARNING:

DO NOT let comfort or familiarity with product (gained from repeated use) replace strict adherence to safety rules for the subject product. **MISUSE** or failure to follow the safety rules stated in this instruction manual may cause serious personal injury.

FUNCTIONAL DESCRIPTION

CAUTION:

- Always be sure that the tool is switched off and unplugged before adjusting or checking function on the tool.

Adjusting the depth of cut (Fig. 1)

Depth of cut may be adjusted by simply turning the knob on the front of the tool.

Switch action

CAUTION:

- Before plugging in the tool, always check to see that the switch trigger actuates properly and returns to the "OFF" position when released.

For tool without lock button and lock-off button

(Fig. 2)

To start the tool, simply pull the switch trigger. Release the switch trigger to stop.

For tool with lock button (Fig. 3)

To start the tool, simply pull the switch trigger. Release the switch trigger to stop.

For continuous operation, pull the switch trigger and then push in the lock button.

To stop the tool from the locked position, pull the switch trigger fully, then release it.

For tool with lock-off button (Fig. 3)

To prevent the switch trigger from being accidentally pulled, a lock-off button is provided.

To start the tool, depress the lock-off button and pull the switch trigger. Release the switch trigger to stop.

ASSEMBLY

CAUTION:

- Always be sure that the tool is switched off and unplugged before carrying out any work on the tool.

Removing or installing planer blades (Fig. 4, 5 & 6)

CAUTION:

- Tighten the blade installation bolts carefully when attaching the blades to the tool. A loose installation bolt can be dangerous. Always check to see they are tightened securely.
- Handle the blades very carefully. Use gloves or rags to protect your fingers or hands when removing or installing the blades.
- Use only the Makita wrench provided to remove or install the blades. Failure to do so may result in over-tightening or insufficient tightening of the installation bolts. This could cause an injury.

To remove the blades on the drum, unscrew the five installation bolts with the hex wrench. The drum cover comes off together with the blades.

To install the blades, first clean out all chips or foreign matter adhering to the drum or blades. Use blades of the same dimensions and weight, or drum oscillation /vibration will result, causing poor planing action and eventually tool breakdown.

There are two adjusting screws for each blade. When installing the blade, the notch in the blade should fit over the head of the adjusting screw. Then fit on the drum cover and secure the five bolts only finger-tight.

Turn the drum until the blade edge is right in the middle between the front and rear bases.

Place the triangular rule flat on the rear base and run it out over and across the blade edge. Turn the two adjusting screws to adjust the blade protrusion. The blade setting should be made so that the protrusion will be uniform all the way across. Thus the triangular rule should be flush with the entire width of the blade edge. After adjusting both blades, tighten all the installation bolts evenly and alternately with the hex wrench.

After tightening the bolts, secure the adjusting screws fully.

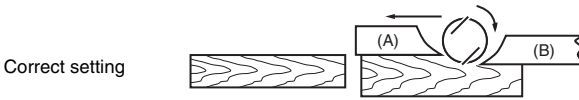
For the correct planer blade setting

Your planing surface will end up rough and uneven, unless the blade is set properly and securely. The blade must be mounted so that the cutting edge is absolutely level, that is, parallel to the surface of the rear base.

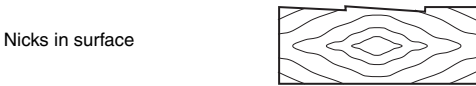
Refer to some examples below for proper and improper settings.

(A) Front base (Movable shoe)

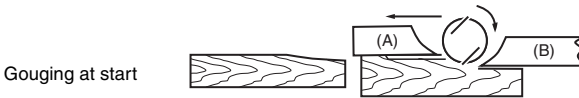
(B) Rear base (Stationary shoe)



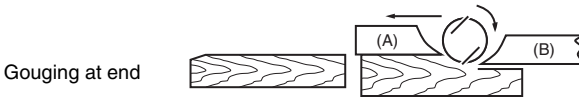
Although this side view cannot show it, the edges of the blades run perfectly parallel to the rear base surface.



Cause: One or both blades fails to have edge parallel to rear base line.



Cause: One or both blade edges fails to protrude enough in relation to rear base line.



Cause: One or both blade edges protrudes too far in relation to rear base line.

Connecting a vacuum cleaner

For European countries and areas (Fig. 7)

When you wish to perform clean planing operation, connect a Makita vacuum cleaner to your tool. Install the nozzle on the tool using the screws. Then connect a hose of the vacuum cleaner to the nozzle as shown in the figures.

For other countries and areas (Fig. 8)

A nozzle and joint (optional accessories) are necessary to connect a Makita vacuum cleaner to your tool. Consult a Makita catalogue or representative on the nozzle and joint.

OPERATION

Planing operation (Fig. 9)

First, rest the tool front base flat upon the workpiece surface without the blades making any contact. Switch on and wait until the blades attain full speed. Then move the tool gently forward. Apply pressure on the front of tool at the start of planing, and at the back at the end of planing. Planing will be easier if you incline the workpiece in stationary fashion, so that you can plane somewhat downhill.

The speed and depth of cut determine the kind of finish. The power planer keeps cutting at a speed that will not result in jamming by chips. For rough cutting, the depth of cut can be increased, while for a good finish you should reduce the depth of cut and advance the tool more slowly.

MAINTENANCE

CAUTION:

- Always be sure that the tool is switched off and unplugged before attempting to perform inspection or maintenance.
- Never use gasoline, benzene, thinner, alcohol or the like. Discoloration, deformation or cracks may result.

Sharpening the planer blades (Fig. 10, 11 & 12)

Always keep your blades sharp for the best performance possible. Use the sharpening holder to remove nicks and produce a fine edge.

First, loosen the two wing nuts on the holder and insert the blades (A) and (B), so that they contact the sides (C) and (D). Then tighten the wing nuts.

Immerse the dressing stone in water for 2 or 3 minutes before sharpening. Hold the holder so that the both blades contact the dressing stone for simultaneous sharpening at the same angle.

Replacing carbon brushes (Fig. 13, 14 & 15)

Remove and check the carbon brushes regularly. Replace when they wear down to the limit mark. Keep the carbon brushes clean and free to slip in the holders. Both carbon brushes should be replaced at the same time. Use only identical carbon brushes.

Use a screwdriver to remove the chip cover.

Use a screwdriver to remove the brush holder caps.

Take out the worn carbon brushes, insert the new ones and secure the brush holder caps.

To maintain product SAFETY and RELIABILITY, repairs, any other maintenance or adjustment should be performed by Makita Authorized Service Centers, always using Makita replacement parts.

OPTIONAL ACCESSORIES

CAUTION:

- These accessories or attachments are recommended for use with your Makita tool specified in this manual. The use of any other accessories or attachments might present a risk of injury to persons. Only use accessory or attachment for its stated purpose.

If you need any assistance for more details regarding these accessories, ask your local Makita service center.

- High-speed steel Planer blade
- Sharpening holder assembly
- Blade gauge
- Edge fence (Guide rule)
- Extension guide set
- Dressing stone
- Nozzle assembly
- Hex wrench

NOTE:

- Some items in the list may be included in the tool package as standard accessories. They may differ from country to country.

ENG905-1

Noise

The typical A-weighted noise level determined according to EN60745:

Sound pressure level (L_{pA}): 92 dB (A)
 Sound power level (L_{WA}): 103 dB (A)
 Uncertainty (K): 3 dB (A)

Wear ear protection

ENG900-1

Vibration

The vibration total value (tri-axial vector sum) determined according to EN60745:

Work mode: planing softwood
 Vibration emission (a_h): 2.5 m/s²
 Uncertainty (K): 1.5 m/s²

ENG901-1

- The declared vibration emission value has been measured in accordance with the standard test method and may be used for comparing one tool with another.
- The declared vibration emission value may also be used in a preliminary assessment of exposure.

WARNING:

- The vibration emission during actual use of the power tool can differ from the declared emission value depending on the ways in which the tool is used.
- Be sure to identify safety measures to protect the operator that are based on an estimation of exposure in the actual conditions of use (taking account of all parts of the operating cycle such as the times when the tool is switched off and when it is running idle in addition to the trigger time).

For European countries only

EC Declaration of Conformity

We Makita Corporation as the responsible manufacturer declare that the following Makita machine(s):

Designation of Machine:

Power Planer

Model No./ Type: 1806B

are of series production and

Conforms to the following European Directives:

2006/42/EC

And are manufactured in accordance with the following standards or standardised documents:

EN60745

The technical documentation is kept by our authorized representative in Europe who is:

Makita International Europe Ltd.

Michigan Drive, Tongwell,

Milton Keynes, Bucks MK15 8JD, England

30.1.2009



Tomoyasu Kato

Director

Makita Corporation

3-11-8, Sumiyoshi-cho,
 Anjo, Aichi, 446-8502, JAPAN

Descriptif

1	Molette	9	Contre-fer	18	Ecrou à oreilles
2	Gâchette	10	Bloc de coupe	19	Fer (A)
3	Bouton de blocage/Bouton de sécurité	11	Equerre	20	Fer (B)
4	Clé BTR	12	Tournevis	21	Face (C)
5	Vis hexagonale	13	Dispositif d'aspiration	22	Face (D)
6	Vis d'ajustage	14	Aspirateur	23	Repère d'usure
7	Fer du rabot	15	Début	24	Déflexeur
8	Encoche dans le fer	16	Fin	25	Bouchon du porte-charbon
		17	Porte-fer d'affûtage		

SPÉCIFICATIONS

GEB010-4

Modèle	1806B
Largeur de coupe	170 mm
Profondeur de coupe	2 mm
Vitesse à vide (min ⁻¹)	15 000
Longueur totale	529 mm
Poids net	9,0 kg
Catégorie de sécurité	II/II

- Étant donné l'évolution constante de notre programme de recherche et de développement, les spécifications contenues dans ce manuel sont sujettes à modification sans préavis.
- Les spécifications peuvent varier suivant les pays.
- Poids selon la procédure EPTA 01/2003

ENE001-1

Utilisations

L'outil est conçu pour le rabotage du bois.

ENF002-2

Alimentation

L'outil ne devra être raccordé qu'à une alimentation de la même tension que celle qui figure sur la plaque signalétique, et il ne pourra fonctionner que sur un courant secteur monophasé. Réalisé avec une double isolation, il peut de ce fait être branché sur une prise sans mise à la terre.

ENF100-1

Pour les systèmes de distribution publics à basse tension, entre 220 V et 250 V

La mise sous tension et hors tension des appareils électriques entraîne des fluctuations de tension. L'utilisation de cet appareil dans des conditions d'alimentation électrique inadéquates peut avoir des effets néfastes sur le fonctionnement des autres équipements. Il ne devrait toutefois pas y avoir d'effets négatifs si l'impédance de l'alimentation est égale ou inférieure à 0,41 Ohms. La prise de courant utilisée pour cet appareil doit être protégée par un fusible ou un disjoncteur de protection à déclenchement lent.

GEA010-1

Consignes de sécurité générales pour outils électriques

⚠ MISE EN GARDE Veuillez lire toutes les mises en garde et toutes les instructions. Il y a risque de choc électrique, d'incendie et/ou de blessure grave si les mises en garde et les instructions ne sont pas respectées.

Conservez toutes les mises en garde et instructions pour référence ultérieure.

CONSIGNES DE SÉCURITÉ POUR RABOT

- 1. Attendez l'arrêt du couteau avant de déposer l'outil.** Un couteau exposé risquerait de pénétrer dans la surface et d'entraîner une perte de contrôle et une grave blessure.
- 2. Tenez l'outil électrique uniquement par ses surfaces de prise isolées, car le couteau pourrait toucher son propre cordon.** Couper un câble sous tension risque de mettre à découvert les pièces métalliques de l'outil électrique et pourrait électrocuter l'utilisateur.
- 3. Utilisez des dispositifs de serrage ou un autre moyen pratique pour fixer et soutenir la pièce sur une surface stable.** Si vous la tenez avec la main ou l'appuyez contre une partie du corps, la pièce sera instable et vous risquez d'en perdre la maîtrise.
- 4. Ne laissez jamais chiffons, vêtements, cordes, ficelles ou autres objets de ce genre autour de votre aire de travail.**
- 5. Évitez de sectionner des clous ; retirez ceux-ci de la pièce à travailler avant de commencer.**
- 6. N'utilisez que des fers bien aiguisés. Soyez très prudent lorsque vous manipulez les fers.**
- 7. Avant de commencer, assurez-vous que les boulons de fixation des fers sont bien serrés.**
- 8. Tenez votre outil fermement à deux mains.**
- 9. Gardez les mains éloignées des pièces en mouvement.**
- 10. Avant d'utiliser votre outil, faites-le tourner à vide quelques instants. Attention aux vibrations ou aux oscillations, signes probables d'une installation défectueuse ou d'un fer mal équilibré.**
- 11. Assurez-vous que le fer ne touche pas la pièce à travailler avant que le contact ne soit mis.**
- 12. Avant de commencer le rabotage, attendez que l'outil atteigne sa pleine vitesse.**
- 13. Avant tout réglage, coupez le contact et attendez l'arrêt complet des lames.**
- 14. Ne mettez jamais le doigt dans l'éjecteur de copeaux. Celui-ci peut s'engorger si vous travaillez un bois humide. Dégagez les copeaux avec une tige de bois.**
- 15. Ne faites fonctionner l'outil que lorsque vous l'avez en mains.**
- 16. Changez toujours les deux fers ou les plaquettes en même temps, faute de quoi, il se produira un déséquilibre et des vibrations qui raccourciront la durée de service de l'outil.**

17. N'utilisez que des fers Makita spécifiés dans ce manuel.

18. Utilisez toujours un masque antipoussières ou un masque filtrant approprié au matériau à travailler et à l'outil utilisé.

CONSERVEZ CES INSTRUCTIONS.

AVERTISSEMENT :

NE vous laissez PAS tromper (avec l'usage répété) par un sentiment de confort ou de familiarité avec l'outil, au point de ne pas respecter rigoureusement les consignes de sécurité qui accompagnent l'outil. La MAUVAISE UTILISATION de l'outil ou l'ignorance des consignes de sécurité indiquées dans ce manuel d'instructions peut entraîner une blessure grave.

DESCRIPTION DU FONCTIONNEMENT

ATTENTION :

- Assurez-vous toujours que l'outil est hors tension et débranché avant de l'ajuster ou de vérifier son fonctionnement.

Réglage de la profondeur de coupe (Fig. 1)

La profondeur de coupe peut se régler en tournant simplement la molette situé sur le devant de l'outil.

Interrupteur

ATTENTION :

- Avant de brancher l'outil, vérifiez toujours que la gâchette fonctionne correctement et qu'elle revient en position "OFF" quand vous la relâchez.

Outil sans bouton de blocage ni bouton de sécurité (Fig. 2)

Pour mettre l'outil en marche, tirez simplement sur la gâchette. Relâchez-la pour arrêter l'outil.

Outil avec bouton de blocage (Fig. 3)

Pour mettre l'outil en marche, tirez simplement sur la gâchette. Relâchez-la pour arrêter l'outil.

Pour un fonctionnement continu, tirez sur la gâchette et appuyez sur le bouton de blocage.

Pour arrêter l'outil en cette position, tirez à fond sur la gâchette puis relâchez-la.

Outil avec bouton de sécurité (Fig. 3)

Pour éviter que la gâchette ne soit tirée accidentellement, un bouton de sécurité a été prévu.

Pour mettre l'outil en marche, appuyez sur le bouton de sécurité et tirez sur la gâchette. Pour arrêter l'outil, relâchez la gâchette.

ASSEMBLAGE

ATTENTION :

- Avant d'effectuer toute intervention sur l'outil, assurez-vous toujours qu'il est hors tension et débranché.

Retrait ou pose des fers du rabot (Fig. 4, 5 et 6)

ATTENTION :

- Serrez fermement les boulons de montage des fers lorsque vous fixez ces derniers à l'outil. Un boulon de montage mal serré représente un danger. Assurez-vous toujours qu'ils sont serrés à fond.
- Maniez les fers de façon très prudente. Portez des gants ou utilisez des chiffons pour protéger vos doigts ou vos mains lorsque vous retirez ou installez les fers.
- Utilisez exclusivement la clé Makita fournie pour installer ou retirer les fers. Sinon, les boulons de montage risquent d'être trop ou pas assez serrés. Cela peut entraîner une blessure.

Pour retirer les fers du tambour, dévissez les cinq boulons de maintien à l'aide de la clé hexagonale. Le contre-fer se détache avec les fers.

Pour installer les fers, enlevez d'abord les copeaux et autres matières adhérant au bloc de coupe ou aux fers. Utilisez des fers de dimensions et de poids identiques, sinon les vibrations et oscillations entraîneront un travail médiocre ou même une panne de l'outil.

Il y a deux vis d'ajustage pour chaque fer. Quand on installe ceux-ci, l'encoche du fer doit s'engager sur la tête de la vis d'ajustage. Posez ensuite le contre-fer et serrez, à la main seulement, les cinq boulons.

Faites tourner le bloc de coupe jusqu'à ce que le tranchant soit juste à égale distance des semelles avant et arrière.

Posez l'équerre à plat sur la semelle arrière et promenez-la au-dessus et en travers du bord de coupe. Tournez les deux vis d'ajustage pour régler la saillie du fer. Celle-ci doit être absolument uniforme tout du long du fer, autrement dit l'équerre doit être au ras du tranchant du fer sur toute la longueur de ce dernier. Après avoir ajusté les deux fers, serrez tous les vis creuses de fixation de façon égale et alternativement à l'aide de la clé BTR. Une fois les vis creuses serrées, bloquez les vis d'ajustage.

Pour une pose correcte des fers

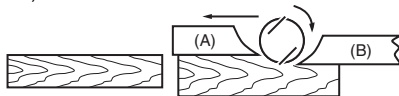
La surface rabotée présentera des aspérités et ne sera pas plane si le fer n'est pas installé de façon convenable et ferme. Il doit être monté de manière que le bord de coupe soit absolument de niveau, c'est à dire parallèle à la surface de la semelle arrière.

Voir ci-dessous quelques exemples de poses correctes et incorrectes.

(A) Socle avant (sabot mobile)

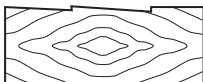
(B) Socle arrière (sabot fixe)

Pose correcte



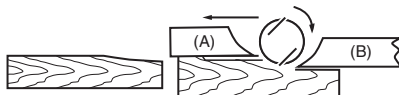
Bien que cette vue latérale ne le figure pas, les bords du fer sont parfaitement parallèles à la surface du socle arrière.

Crantage à la surface



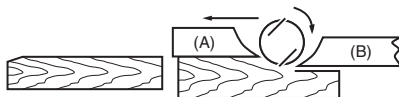
Cause : Un des fers, ou les deux, n'a pas son bord parallèle à la ligne du socle arrière.

Evidage au début



Cause : Un des fers, ou les deux, ne fait pas assez saillir son bord par rapport à la ligne du socle arrière.

Evidage au fin



Cause : Un des fers, ou les deux, saillit trop par rapport au socle arrière.

Raccordement à un aspirateur

Pour les pays et régions d'Europe (Fig. 7)

Pour effectuer un rabotage propre, raccordez un aspirateur Makita à l'outil. Installez le raccord d'aspiration sur l'outil à l'aide des vis. Raccordez ensuite le tuyau de l'aspirateur au raccord d'aspiration, tel qu'indiqué sur les illustrations.

Pour les autres pays et régions (Fig. 8)

Un raccord d'aspiration et un joint (accessoires en option) sont nécessaires pour raccorder un aspirateur Makita à l'outil. Pour le raccord et le joint, consultez un catalogue ou un représentant Makita.

UTILISATION

Comment raboter (Fig. 9)

Tout d'abord, faites reposer la semelle avant de l'outil sur la pièce à travailler sans que les fers ne soient au contact. Mettez le contact et attendez que les fers aient atteint leur pleine vitesse. Déplacez ensuite doucement l'outil vers l'avant. Pressez sur l'avant de l'outil en début de rabotage, et sur l'arrière en fin de rabotage. Le rabotage se fera plus aisément si vous fixez la pièce de bois de façon inclinée de manière à raboter de haut en bas.

La vitesse et la profondeur de rabotage déterminent la qualité du fini. Le rabot électrique coupe à une vitesse qui ne permet pas l'engorgement par les copeaux. Pour les gros débits, vous pouvez accroître la profondeur de rabotage, alors que pour un fini régulier, vous devez la réduire et faire avancer l'outil plus lentement.

ENTRETIEN

ATTENTION :

- Assurez-vous toujours que l'outil est hors tension et hors secteur avant d'effectuer tout travail dessus.
- N'utilisez jamais d'essence, benzine, diluant, alcool ou autre produit similaire. Cela risquerait de provoquer la décoloration, la déformation ou la fissuration de l'outil.

Affûtage des fers (Fig. 10, 11 et 12)

Gardez toujours vos fers bien affûtés afin d'obtenir une efficacité maximum. Utilisez le porte-fer d'affûtage pour supprimer les crans et avoir le tranchant le plus fin.

Tout d'abord relâchez les deux écrous à oreilles du porte-fer et insérez les fers (A) et (B), de sorte qu'ils soient au contact des faces (C) et (D). Serrez ensuite les écrous.

Immergez dans l'eau la pierre à aiguiser 2 ou 3 minutes avant d'affûter. Tenez le porte-fer de façon que les deux fers soient au contact de la pierre et que l'affûtage se fasse simultanément et selon le même angle.

Remplacement des charbons (Fig. 13, 14 et 15)

Retirez et vérifiez régulièrement les charbons. Remplacez-les lorsqu'ils sont usés jusqu'au trait de limite d'usure. Maintenez les charbons propres et en état de glisser aisément dans les porte-charbon. Les deux charbons doivent être remplacés en même temps. N'utilisez que des charbons identiques.

Utilisez un tournevis pour retirer le couvercle de l'évacuateur de copeaux.

Retirez les bouchons de porte-charbon à l'aide d'un tournevis.

Enlevez les charbons usés, insérez-en de nouveaux et revissez solidement les bouchons de porte-charbon.

Pour maintenir la SÉCURITÉ et la FIABILITÉ du produit, les réparations, travaux d'entretien et autres réglages doivent être effectués dans un centre de service Makita agréé, exclusivement avec des pièces de rechange Makita.

ACCESSOIRES EN OPTION

ATTENTION :

- Les accessoires ou pièces supplémentaires qui suivent sont recommandés pour l'utilisation avec l'outil Makita spécifié dans ce manuel. L'utilisation de tout autre accessoire ou pièce supplémentaire peut comporter un risque de blessure. Utilisez uniquement l'accessoire ou la pièce supplémentaire dans le but spécifié.

Pour obtenir plus de détails sur ces accessoires, contactez votre Centre d'Entretien local Makita.

- Fer de rabot en acier à coupe rapide
- Ensemble de support d'affûtage
- Jauge de fer
- Guide parallèle (règle de guidage)
- Ensemble prolongateur
- Pierre à aiguiser
- Déflecteur coudé
- Clé BTR

NOTE :

- Il se peut que certains éléments de la liste soient compris dans l'emballage de l'outil en tant qu'accessoires standard. Ils peuvent varier d'un pays à l'autre.

ENG905-1

Bruit

Niveau de bruit pondéré A typique, déterminé selon EN60745 :

Niveau de pression sonore (L_{pA}) : 92 dB (A)
 Niveau de puissance sonore (L_{WA}) : 103 dB (A)
 Incertitude (K) : 3 dB (A)

Porter des protecteurs anti-bruit

ENG900-1

Vibrations

Valeur totale de vibrations (somme de vecteur triaxial) déterminée selon EN60745 :

Mode de travail : rabotage du bois tendre
 Émission de vibrations (a_h) : 2,5 m/s²
 Incertitude (K) : 1,5 m/s²

ENG901-1

- La valeur d'émission de vibrations déclarée a été mesurée conformément à la méthode de test standard et peut être utilisée pour comparer les outils entre eux.
- La valeur d'émission de vibrations déclarée peut aussi être utilisée pour l'évaluation préliminaire de l'exposition.

AVERTISSEMENT :

- L'émission de vibrations lors de l'usage réel de l'outil électrique peut être différente de la valeur d'émission déclarée, suivant la façon dont l'outil est utilisé.
- Les mesures de sécurité à prendre pour protéger l'utilisateur doivent être basées sur une estimation de l'exposition dans des conditions réelles d'utilisation (en tenant compte de toutes les composantes du cycle d'utilisation, comme par exemple le moment de sa mise hors tension, lorsqu'il tourne à vide et le moment de son déclenchement).

Pour les pays d'Europe uniquement

Déclaration de conformité CE

Makita Corporation, en tant que fabricant responsable, déclare que la ou les machines suivantes :

Désignation de la machine :

Rabot

N° de modèle / Type : 1806B

sont produites en série et

sont conformes aux Directives européennes suivantes :

2006/42/CE

et qu'elles sont fabriquées conformément aux normes ou documents normalisés suivants :

EN60745

La documentation technique est conservée par notre représentant agréé en Europe, à savoir :

Makita International Europe Ltd.

Michigan Drive, Tongwell,

Milton Keynes, Bucks MK15 8JD, Angleterre

30.1.2009



Tomoyasu Kato
Directeur

Makita Corporation
 3-11-8, Sumiyoshi-cho,
 Anjo, Aichi, 446-8502, JAPAN

Übersicht

1 Tiefeneinstellknopf	9 Messerklemmplatte	18 Flügelmutter
2 Schalter	10 Messerwelle	19 Messer (A)
3 Einschaltsperr-/Arretierknopf	11 Dreieck	20 Messer (B)
4 Innensechskantschlüssel	12 Schraubendreher	21 Kante (C)
5 Messerklemmschraube	13 Späneabführung	22 Kante (D)
6 Einstellschraube	14 Absaugvorrichtung	23 Verschleißgrenze
7 Hobelmesser	15 Hobelbeginn	24 Abdeckung für Spanauswurf
8 Messernut	16 Hobelende	25 Bürstenhalterkappe
	17 Messerhalter	

TECHNISCHE DATEN

GEB010-4

Modell	1806B
Hobelbreite	170 mm
Spanabnahme stufenlos	2 mm
Leerlaufdrehzahl (min ⁻¹)	15 000
Gesamtlänge	529 mm
Nettogewicht	9,0 kg
Sicherheitsklasse	□/II

- Wir behalten uns vor, Änderungen im Zuge der Entwicklung und des technischen Fortschritts ohne vorherige Ankündigung vorzunehmen.
- Die technischen Daten können von Land zu Land abweichen.
- Gewicht nach EPTA-Verfahren 01/2003

ENE001-1

Sicherheitshinweise

Lesen und beachten Sie diese Hinweise, bevor Sie das Gerät benutzen.

ENF002-2

Netzanschluss

Die Maschine sollte nur an eine Stromquelle angeschlossen werden, deren Spannung mit der Angabe auf dem Typenschild übereinstimmt, und kann nur mit Einphasen-Wechselstrom betrieben werden. Diese sind doppelt schutzisoliert und können daher auch an Steckdosen ohne Erdleiter verwendet werden.

ENF100-1

Für öffentliche Niederspannungs-Verteilungssysteme mit einer Spannung zwischen 220 und 250 V

Schaltvorgänge von Elektrogeräten verursachen Spannungsschwankungen. Der Betrieb dieses Gerätes unter ungünstigen Netzstrombedingungen kann sich nachteilig auf den Betrieb anderer Geräte auswirken. Bei einer Netzstromimpedanz von 0,41 Ohm oder weniger ist anzunehmen, dass keine negativen Effekte auftreten.

Die für dieses Gerät verwendete Netzsteckdose muss durch eine Sicherung oder einen Schutzschalter mit trägen Auslösungseigenschaften geschützt sein.

GEA010-1

Allgemeine Sicherheitswarnungen für Elektrowerkzeuge

⚠ WARNUNG Lesen Sie alle Sicherheitswarnungen und Anweisungen durch. Eine Missachtung der unten aufgeführten Warnungen und Anweisungen kann zu einem elektrischen Schlag, Brand und/oder schweren Verletzungen führen.

Bewahren Sie alle Warnungen und Anweisungen für spätere Bezugnahme auf.

SICHERHEITSWARNUNGEN FÜR FALZHOBE

1. **Warten Sie, bis das Messer zum Stillstand kommt, bevor Sie das Werkzeug ablegen.** Das freiliegende Messer könnte sonst in die Oberfläche eingreifen, was zu einem möglichen Verlust der Kontrolle und ernsthaften Verletzungen führen kann.
2. **Halten Sie das Elektrowerkzeug nur an den isolierten Griffflächen, weil das Messer das eigene Kabel berühren kann.** Bei Kontakt mit einem Strom führenden Kabel können die freiliegenden Metallteile des Elektrowerkzeugs ebenfalls Strom führend werden, so dass der Benutzer einen elektrischen Schlag erleiden kann.
3. **Verwenden Sie Klemmen oder eine andere praktische Methode, um das Werkstück auf einer stabilen Unterlage zu sichern und abzustützen.** Wenn Sie das Werkstück nur von Hand oder gegen Ihren Körper halten, befindet es sich in einer instabilen Lage, die zum Verlust der Kontrolle führen kann.
4. **Putztücher, Kleidung, Anschlussleitungen, u. a. sollten nicht in der Nähe des Arbeitsplatzes liegen.**
5. **Vermeiden Sie das Schneiden von Nägeln. Überprüfen Sie das Werkstück vor der Arbeit auf Nägel, und entfernen Sie sämtliche Nägel.**
6. **Verwenden Sie nur scharfe Hobelmesser. Behandeln Sie die Messer mit größter Sorgfalt.**
7. **Stellen Sie sicher, dass die Messerklemmschrauben vor Beginn der Arbeit fest angezogen sind.**
8. **Halten Sie das Werkzeug mit beiden Händen fest.**
9. **Halten Sie Ihre Hände nicht in die Nähe von rotierenden Teilen.**
10. **Lassen Sie die Maschine eine Weile im Leerlauf laufen, bevor Sie mit der Arbeit an einem Werkstück beginnen. Achten Sie auf Vibrationen und Schlägen; beides gibt Aufschluss über ein schlecht ausgewuchtetes Messer oder nicht fachgerechten Einbau.**
11. **Stellen Sie sicher, dass das Hobelmesser nicht mit dem Werkstück in Berührung kommt, bevor Sie einschalten.**
12. **Beginnen Sie mit der Arbeit erst, nachdem das Hobelmesser die volle Leerlaufdrehzahl erreicht hat.**
13. **Schalten Sie das Gerät stets vor Beginn etwaiger Einstellarbeiten aus und ziehen Sie den Netzstecker. Warten Sie, bis die Maschine zum Stillstand gekommen ist.**

14. Halten Sie niemals einen Finger in den Spanauswurf. Der Spanauswurf kann verstopfen, wenn Sie feuchtes Holz hobeln. Entfernen Sie vorsichtig die Späne im Bereich des Spanauswurfs, aber nur bei ausgeschalteter Maschine.
15. Lassen Sie die Maschine nicht unbeaufsichtigt laufen. Schalten Sie das Gerät nur ein, während Sie es in der Hand halten.
16. Wechseln Sie stets Hobelmesser oder Messerklemmplatten paarweise aus, um Unwucht der Messerwelle zu vermeiden, die Vibrationen erzeugt und die Lebensdauer der Maschine verkürzt.
17. Verwenden Sie nur Original Makita-Hobelmesser, die in dieser Anleitung angegeben wird.
18. Verwenden Sie stets die korrekte Staubschutz- oder Atemmaske für das jeweilige Material und die Anwendung.

BEWAHREN SIE DIESE HINWEISE SORGFÄLTIG AUF.

WARNUNG:

Lassen Sie sich NICHT durch Bequemlichkeit oder Vertrautheit mit dem Produkt (durch wiederholten Gebrauch erworben) von der strikten Einhaltung der Sicherheitsregeln für das vorliegende Produkt abhalten. MISSBRAUCH oder Missachtung der Sicherheitsvorschriften in dieser Anleitung können schwere Verletzungen verursachen.

FUNKTIONSBESCHREIBUNG

VORSICHT:

- Vergewissern Sie sich vor jeder Einstellung oder Funktionsprüfung der Maschine stets, dass sie ausgeschaltet und vom Stromnetz getrennt ist.

Einstellung der Spanabnahme (Abb. 1)

Die Spanabnahme kann durch Drehen des Tiefeneinstellknopfes an der Vorderseite der Maschine eingestellt werden.

Schalterbedienung

VORSICHT:

- Überprüfen Sie vor dem Anschließen der Maschine an das Stromnetz stets, ob der Schalter ordnungsgemäß funktioniert und beim Loslassen in die "OFF"-Stellung zurückkehrt.

Werkzeug ohne Einschaltperre und Arretierknopf (Abb. 2)

Zum Einschalten der Maschine den Schalter drücken. Zum Ausschalten wieder loslassen.

Werkzeug mit Arretierknopf (Abb. 3)

Zum Einschalten der Maschine den Schalter drücken. Zum Ausschalten wieder loslassen.

Für Dauerbetrieb den Schalter und den Arretierknopf drücken.

Zum Ausschalten den arretierten Schalter nochmals drücken und wieder loslassen.

Werkzeug mit Einschaltperre (Abb. 3)

Um ein versehentliches Betätigen des Schalters zu verhindern, ist bei diesem Modell eine Einschaltperre eingebaut.

Zum Einschalten der Maschine erst die Einschaltperre und dann den Schalter drücken. Zum Ausschalten den Schalter wieder loslassen.

MONTAGE

VORSICHT:

- Vergewissern Sie sich vor der Ausführung von Arbeiten an der Maschine stets, dass sie ausgeschaltet und vom Stromnetz getrennt ist.

Montage und Demontage von Hobelmessern (Abb. 4, 5 u. 6)

VORSICHT:

- Ziehen Sie die Messermontageschrauben sorgfältig an, wenn Sie die Messer an der Maschine anbringen. Eine lose Montageschraube kann gefährlich sein. Vergewissern Sie sich stets, dass sie einwandfrei angezogen sind.
- Behandeln Sie die Messer mit größter Sorgfalt. Schützen Sie Ihre Finger oder Hände beim Demontieren oder Montieren der Messer mit Handschuhen oder Lappen.
- Verwenden Sie nur den mitgelieferten Makita-Inbusschlüssel zum Demontieren oder Montieren der Messer. Andernfalls besteht die Gefahr, dass die Montageschrauben zu stark oder zu schwach angezogen werden, was zu einer Verletzung führen kann.

Zum Ausbau der Hobelmesser lösen Sie sie mit dem mitgelieferten Montagewerkzeug die Innensechskantschrauben. Die Messerklemmplatte der Messerwelle kann zusammen mit den Hobelmessern abgenommen werden.

Vor dem Einbau die Hobelmesser reinigen, um Späne und Fremdkörper zu entfernen. Stets Hobelmesser mit gleicher Größe und gleichem Gewicht verwenden. Unwucht durch ungleiche Hobelmesser beeinträchtigt die Hobelleistung und Lebensdauer der Maschine.

Drehen Sie die Messerwelle, bis die Messerschneide am höchsten Punkt des Messerflugkreises steht. Setzen Sie das Dreieck mit der Basis flach auf die Hobelsohle und schieben Sie es über die Messerschneide. Drehen Sie die beiden Einstellschrauben mit dem Innensechskantschlüssel, um die Messer fluchtend mit der hinteren Hobelsohle einzustellen. Diese Einstellung muss sowohl auf der linken und rechten Messerseite als auch für beide Spannelemente durchgeführt werden. Nach der Einstellung ziehen Sie alle Innensechskantschrauben mit dem Montagewerkzeug gleichmäßig und abwechselnd fest. Danach erfolgt nochmals eine Kontrolle der Einstellung und ggf. Korrektur.

Auswirkungen von Messerfehlereinstellungen

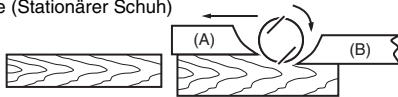
Fehleinstellung der Hobelmesser führt zu ungleichmäßigem und unsauberen Hobelerggebnissen. Bei richtiger Einstellung befindet sich das Messer fluchtend mit der hinteren Hobelsohle.

Die folgenden Beispiele veranschaulichen einige richtige und falsche Einstellungen.

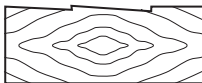
(A) Vordere Hobelsohle (Beweglicher Schuh)

(B) Hintere Hobelsohle (Stationärer Schuh)

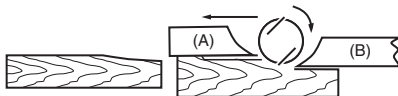
Richtige
Einstellung



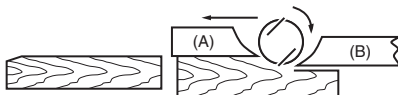
Oberflächenvorsprünge



Kehlung
beim Ansetzen



Kehlung
beim Abheben



In dieser Seitenansicht nicht zu erkennen, liegen die Messer genau parallel zur hinteren Hobelsohle.

Ursache: Die Schneide eines oder beider Messer ist nicht parallel zur hinteren Basislinie.

Ursache: Eine oder beide Messerschneiden stehen in Bezug zur hinteren Basislinie nicht weit genug über.

Ursache: Eine oder beide Messerschneiden stehen in Bezug zur hinteren Basislinie zu weit über.

Anschluss einer Absaugvorrichtung

Für Europa (Abb. 7)

Um saubere Hobelarbeiten durchzuführen, schließen Sie einen Makita-Staubsauger an Ihre Maschine an. Befestigen Sie den Stutzen mit den Schrauben an der Maschine. Schließen Sie dann den Schlauch eines Staubsaugers an den Stutzen an, wie in den Abbildungen gezeigt.

Außereuropäische Länder (Abb. 8)

Zum Anschluss einer Makita-Absaugvorrichtung an das Werkzeug sind eine Saugdüse und ein Stutzen (Sonderzubehör) erforderlich. Einzelheiten über Saugdüse und Stutzen sind einem Makita-Katalog zu entnehmen oder von Ihrem Makita-Fachhändler erhältlich.

BETRIEB

Hobelbetrieb (Abb. 9)

Setzen Sie zuerst die vordere Hobelsohle auf das Werkstück, ohne dass die Hobelmesser mit dem Werkstück oder etwas anderem in Berührung kommen. Schalten Sie den Hobel ein und warten Sie, bis die Messerwelle die volle Drehzahl erreicht hat. Bewegen Sie dann den Hobel langsam vorwärts. Üben Sie zuerst Druck im Bereich der vorderen Hobelsohle und am Ende des Werkstücks Druck auf die hintere Hobelsohle aus. Sie können sich das Hobeln erleichtern, indem Sie das Werkstück in stationärem Zustand neigen, so dass Sie in Abwärtsrichtung hobeln können.

Die Geschwindigkeit und Tiefe des Schnitts bestimmen die Art der Oberflächenausführung. Der Hobel arbeitet mit einer Geschwindigkeit, die nicht zu einem Spänestau führt. Für Grobschnitt können Sie die Schnitttiefe erhöhen, während Sie für eine hochwertige Ausführung die Schnitttiefe verringern und die Maschine langsamer vor-schieben sollten.

WARTUNG

VORSICHT:

- Vergewissern Sie sich vor der Durchführung von Inspektions- oder Wartungsarbeiten stets, dass die Maschine ausgeschaltet und der Akku abgenommen ist.
- Verwenden Sie auf keinen Fall Benzin, Benzol, Verdünnern, Alkohol oder dergleichen. Solche Mittel können Verfärbung, Verformung oder Rissbildung verursachen.

Schärfen der HSS-Hobelmesser

(Abb. 10, 11 u. 12)

Halten Sie Ihre Messer immer scharf, um bestmögliche Leistung zu erhalten. Benutzen Sie den Messerhalter beim Schleifen mit Schleifgeräten, um die Schneiden zu schärfen und Beschädigungen auszuschleifen.

Lösen Sie zuerst die beiden Flügelmuttern auf dem Messerhalter und setzen Sie die Messer (A) und (B) so ein, dass Sie an den Kanten (C) und (D) anliegen. Ziehen Sie dann die Flügelmuttern fest.

Wässern Sie den Schleifstein einige Minuten, bevor Sie schleifen. Führen Sie den Messerhalter so, dass beide Messer den Stein berühren, um ein gleichzeitiges Schleifen unter dem gleichen Winkel zu gewährleisten.

Auswechseln der Kohlebürsten (Abb. 13, 14 u. 15)

Die Kohlebürsten müssen regelmäßig entfernt und überprüft werden. Wenn sie bis zur Verschleißgrenze abgenutzt sind, müssen sie erneuert werden. Halten Sie die Kohlebürsten stets sauber, damit sie ungehindert in den Haltern gleiten können. Beide Kohlebürsten sollten gleichzeitig erneuert werden. Verwenden Sie nur identische Kohlebürsten.

Entfernen Sie die Späneabdeckung mit einem Schraubendreher.

Drehen Sie die Bürstenhalterkappen mit einem Schraubendreher heraus.

Nehmen Sie die abgenutzten Kohlebürsten heraus, setzen Sie die neuen ein, und drehen Sie dann die Bürstenhalterkappen wieder ein.

Um die SICHERHEIT und ZUVERLÄSSIGKEIT dieses Produkts zu gewährleisten, sollten Reparaturen und andere Wartungs- oder Einstellarbeiten nur von Makita-Kundendienstzentren unter ausschließlicher Verwendung von Makita-Originalersatzteilen ausgeführt werden.

SONDERZUBEHÖR**VORSICHT:**

- Die folgenden Zubehörteile oder Vorrichtungen werden für den Einsatz mit der in dieser Anleitung beschriebenen Makita-Maschine empfohlen. Die Verwendung anderer Zubehörteile oder Vorrichtungen kann eine Verletzungsgefahr darstellen. Verwenden Sie Zubehörteile oder Vorrichtungen nur für ihren vorgesehenen Zweck.

Wenn Sie weitere Einzelheiten bezüglich dieser Zubehörteile benötigen, wenden Sie sich bitte an Ihre Makita-Kundendienststelle.

- Hochdrehzahl-Stahlhobelmesser
- Messerhaltereinheit
- Messerlehre
- Parallelanschlag (Richtlineal)
- Verlängerungsführungssatz
- Abriechstein
- Späneabführung
- Innensechskantschlüssel

HINWEIS:

- Manche Teile in der Liste können als Standardzubehör im Werkzeugsatz enthalten sein. Sie können von Land zu Land unterschiedlich sein.

Geräusch

Typischer A-bewerteter Geräuschpegel ermittelt gemäß EN60745:

Schalldruckpegel (L_{pA}): 92 dB (A)

Schalleistungspegel (L_{WA}): 103 dB (A)

Ungewissheit (K): 3 dB (A)

Gehörschutz tragen

ENG900-1

Vibration

Vibrationsgesamtwert (Drei-Achsen-Vektorsumme) ermittelt gemäß EN60745:

Arbeitsmodus: Hobeln von Weichholz

Vibrationsemission (a_{hv}): 2,5 m/s²

Ungewissheit (K): 1,5 m/s²

ENG901-1

- Der angegebene Vibrationsemissionswert wurde im Einklang mit der Standardprüfmethode gemessen und kann für den Vergleich zwischen Maschinen herangezogen werden.
- Der angegebene Vibrationsemissionswert kann auch für eine Vorbewertung des Gefährdungsgrads verwendet werden.

WARNUNG:

- Die Vibrationsemission während der tatsächlichen Benutzung des Elektrowerkzeugs kann je nach der Benutzungsweise der Maschine vom angegebenen Emissionswert abweichen.
- Identifizieren Sie Sicherheitsmaßnahmen zum Schutz des Benutzers anhand einer Schätzung des Gefährdungsgrads unter den tatsächlichen Benutzungsbedingungen (unter Berücksichtigung aller Phasen des Arbeitszyklus, wie z. B. Ausschalt- und Leerlaufzeiten der Maschine zusätzlich zur Betriebszeit).

ENH101-15

Nur für europäische Länder**EG-Übereinstimmungserklärung**

Wir, die Firma Makita als verantwortlicher Hersteller,

erklären, dass die folgende(n) Makita-Maschine(n):

Bezeichnung der Maschine:

Falzhobel

Modell-Nr./ Typ: 1806B

der Serienproduktion entstammen und

den folgenden europäischen Richtlinien entsprechen:

2006/42/EG

und gemäß den folgenden Standards oder standardisierten Dokumenten hergestellt werden:

EN60745

Die technische Dokumentation befindet sich im Bestand unserer autorisierten Vertretung in Europa, nämlich:

Makita International Europe Ltd.

Michigan Drive, Tongwell,

Milton Keynes, Bucks MK15 8JD, England

30.1.2009



Tomoyasu Kato
Direktor

Makita Corporation
3-11-8, Sumiyoshi-cho,
Anjo, Aichi, 446-8502, JAPAN

Visione Generale

1	Manopola	10	Tamburo	19	Lama (A)
2	Grilletto dell'interruttore	11	Riga triangolare	20	Lama (B)
3	Bottone di bloccaggio/Bottone di bloccaggio-spegnimento	12	Cacciavite	21	Lato (C)
4	Chiave esagonale	13	Boccaglio	22	Lato (D)
5	Bullone	14	Aspirapolvere	23	Segno limite
6	Vite di regolazione	15	Inizio	24	Coperchio trucioli
7	Lama piallatrice	16	Fine	25	Coperchio delle spazzole a carbone
8	Incavo nella lama	17	Supporto di affilatura		
9	Coperchio tamburo	18	Dado ad alette		

DATI TECNICI

Modello	1806B
Larghezza di piallatura	170 mm
Spessore di piallatura	2 mm
Velocità a vuoto (min ⁻¹).....	15.000
Lunghezza totale	529 mm
Peso netto	9,0 kg
Classe di sicurezza	II/II

- Per il nostro programma di ricerca e sviluppo continui, i dati tecnici sono soggetti a modifiche senza preavviso.
- I dati tecnici potrebbero differire a seconda del paese di destinazione del modello.
- Peso in base alla procedura EPTA 01/2003

Utilizzo prefissato

L'utensile serve a piallare il legno.

ENE001-1

ENF002-2

Alimentazione

L'utensile deve essere collegato soltanto a una fonte di alimentazione con la stessa tensione di quella indicata sulla targhetta del nome, e può funzionare soltanto con la corrente alternata monofase. Esse hanno un doppio isolamento, per cui possono essere usate con le prese senza messa a terra.

ENF100-1

Per i sistemi della rete pubblica di distribuzione a bassa tensione da 220 V a 250 V

Le operazioni di accensione e spegnimento degli apparecchi elettrici causano fluttuazioni di tensione. L'utilizzo di questo dispositivo in condizioni inadatte di corrente potrebbe avere effetti negativi sul funzionamento di altri apparecchi. Con una impedenza delle rete uguale o inferiore a 0,41 ohm, si può presumere che non ci siano effetti negativi. La presa di corrente usata per questo dispositivo deve essere protetta da un fusibile o da un interruttore di circuito con basse caratteristiche di scatto.

GEA010-1

Avvertimenti generali per la sicurezza dell'utensile elettrico

⚠ AVVERTIMENTO Leggere tutti gli avvertimenti per la sicurezza e le istruzioni. La mancata osservanza degli avvertimenti e delle istruzioni può causare scosse elettriche, incendio e/o gravi incidenti.

Conservare tutti gli avvertimenti e le istruzioni per riferimenti futuri.

GEB010-4

AVVERTIMENTI PER LA SICUREZZA PER LA PIALLA

1. **Aspettare che la lama si fermi prima di appoggiare l'utensile.** La lama esposta potrebbe far contatto con la superficie causando una possibile perdita di controllo o un grave incidente.
2. **Tenere l'utensile soltanto per le superfici di presa isolate, perché altrimenti la lama potrebbe fare contatto con il proprio cavo.** Il taglio di un filo elettrico "sotto tensione" potrebbe mettere "sotto tensione" le parti metalliche esposte dell'utensile dando una scossa all'operatore.
3. **Usare morse od altri modi pratici per fissare e supportare il pezzo su una superficie stabile.** Se lo si tiene in mano o contro il proprio corpo, il pezzo diventa instabile e potrebbe causare la perdita di controllo.
4. **Non bisogna mai lasciare stracci, vestiario, corde, fili e cose simili nel raggio d'azione della piallatrice.**
5. **Attenzione a non tagliare chiodi.** Prima di ogni lavorazione controllare e togliere tutti i chiodi dal pezzo da lavorare.
6. **Usare soltanto lame affilate.** Fare molta attenzione maneggiando le lame.
7. **Assicurarsi bene prima di iniziare la lavorazione che i bulloni, fissanti la lama siano stretti fortemente.**
8. **Tenere saldamente l'utensile con entrambe le mani.**
9. **Tenere le mani lontane dalle parti rotanti.**
10. **Prima di usare l'utensile sul pezzo da lavorare cancel, lasciarlo ruotare a vuoto per alcuni secondi.** Osservate se ci sono vibrazioni o rumori che possano indicare un montaggio imperfetto o un mancato bilanciamento della lama.
11. **Assicurarsi che la lama non è a contatto con il pezzo da lavorare prima di mettere in moto l'utensile.**
12. **Attendere che la lama raggiunga la sua velocità stabilita prima di mettersi a piallare.**
13. **Prima di qualsiasi lavoro di sistemazione fermare il motore ed attendere che la lama si sia arrestata del tutto.**
14. **Mai introdurre le dita nella zona dove escono i trucioli.** Questa zona può ingolfarsi quando si pialla legno umido. Liberare la zona dei trucioli con un bastoncino.

15. Non abbandonare a se stesso l'utensile in moto. Mettere in moto l'utensile solamente quando lo si tiene in mano.
16. Sostituire sempre entrambe le lame o piastre del rullo, altrimenti lo sbilancio che ne risulterà provocherà vibrazioni ed accorcerà la vita dell'utensile.
17. Usare soltanto le lame Makita specificate in questo manuale.
18. Usare sempre la mascherina antipolvere/respiratore adatti al materiale e all'applicazione con cui si lavora.

CONSERVATE QUESTE ISTRUZIONI.

AVVERTIMENTO:

NON lasciare che la comodità o la familiarità d'utilizzo con il prodotto (acquisita con l'uso ripetuto) sostituisca la stretta osservanza delle norme di sicurezza per il prodotto stesso. L'utilizzo SBAGLIATO o la mancata osservanza delle norme di sicurezza di questo manuale di istruzioni potrebbero causare lesioni serie.

DESCRIZIONE DELL'UTILIZZO

ATTENZIONE:

- Accertarsi sempre che l'utensile sia spento e staccato dalla presa di corrente prima di regolarlo o di controllarne le funzioni.

Regolazione della profondità di taglio (Fig. 1)

La profondità di taglio può essere regolata semplicemente facendo girare la manopola davanti la piaalla.

Azionamento dell'interruttore

ATTENZIONE:

- Prima di collegare l'utensile alla presa di corrente, controllare sempre che il grilletto dell'interruttore funzioni correttamente e ritorni sulla posizione "OFF" quando viene rilasciato.

Utensile senza bottone di bloccaggio e bottone di bloccaggio-spegnimento (Fig. 2)

Per avviare l'utensile, schiacciare semplicemente il grilletto. Rilasciare il grilletto per arrestarlo.

Utensile con bottone di bloccaggio (Fig. 3)

Per avviare l'utensile, schiacciare semplicemente il grilletto. Rilasciare il grilletto per arrestarlo.

Per il funzionamento continuo, schiacciare il grilletto e spingere poi dentro il bottone di bloccaggio.

Per arrestare l'utensile dalla posizione di bloccaggio, schiacciare completamente il grilletto e rilasciarlo.

Utensile con bottone di bloccaggio-spegnimento (Fig. 3)

Per evitare di schiacciare inavvertitamente il grilletto, l'utensile è dotato di un bottone di bloccaggio-spegnimento. Per avviare l'utensile, premere il bottone di bloccaggio-spegnimento e schiacciare il grilletto. Rilasciare il grilletto per arrestarlo.

MONTAGGIO

ATTENZIONE:

- Accertarsi sempre che l'utensile sia spento e staccato dalla presa di corrente prima di qualsiasi intervento su di esso.

Rimozione o installazione lame piallatrice (Fig. 4, 5 e 6)

ATTENZIONE:

- Stringere con cura i bulloni di installazione quando si attaccano le lame all'utensile. Un bullone di installazione allentato può essere pericoloso. Accertarsi sempre che siano stretti saldamente.
- Maneggiare le lame con molta attenzione. Usare guanti o stracci per proteggere le dita o le mani quando si installano o rimuovono le lame.
- Per rimuovere o installare le lame, usare soltanto la chiave Makita in dotazione. In caso contrario, i bulloni di installazione potrebbero essere stretti eccessivamente o insufficientemente. Ciò potrebbe causare lesioni.

Per smontare le lame dal rullo, svitare i cinque bulloni con la chiave esagonale. Il coperchio del rullo verrà via assieme alle lame.

Per smontare le lame, prima di tutto fare pulizia dei trucioli o di altro materiale estraneo aderitosi al rullo o alle lame. Usare sempre lame delle stesse dimensioni e peso, altrimenti avranno luogo oscillazioni o vibrazioni del rullo, le quali produrranno una piallatura scadente ed infine anche danni all'utensile.

Ci sono due viti regolatrici su ogni lama. Quando si montano le lame l'incavo sulla lama deve trovarsi all'altezza della testa della vite di regolazione. Quindi piazzare il coperchio del rullo e inserire le cinque viti con la pressione delle dita.

Far girare il rullo finché l'estremità della lama è esattamente nella posizione centrale tra il bordo anteriore e posteriore dell'apertura di taglio della base.

Piazzare la riga triangolare in piano sulla base e farla scorrere sopra il filo della lama. Girare le due viti di regolazione per regolare la sporgenza della lama.

La regolazione della lama deve essere fatta in modo che la sporgenza sia uniforme in tutta la sua larghezza.

Il righello triangolare deve perciò essere a filo dell'intera larghezza del bordo della lama.

Dopo aver regolato entrambe le lame, stringere uniformemente e alternativamente tutti i bulloni di installazione con una chiave esagonale.

Dopo aver stretto i bulloni, fissare completamente le viti di regolazione.

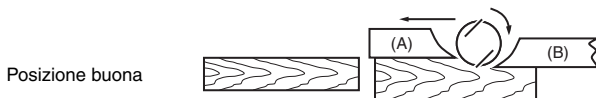
Per la migliore regolazione della lama della pialla

La superficie piallata sarà alla fine non liscia, se la lama non è montata esattamente. La lama deve essere montata in modo che il bordo di taglio sia assolutamente allineato, e cioè parallelo alla superficie della base posteriore.

Qui di seguito sono mostrati alcuni esempi di montaggi buoni o difettosi.

(A) Base anteriore (Piano mobile)

(B) Base posteriore (Piano fisso)



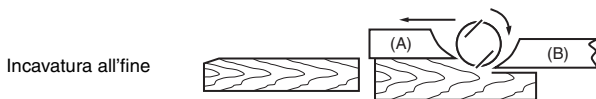
Anche se questa veduta laterale non lo mostra, i bordi della lama sono perfettamente paralleli alla superficie posteriore della base.



Causa: Una o entrambe le lame non hanno i bordi paralleli alla linea posteriore della base.



Causa: Uno o entrambi i bordi delle lame non sporgono sufficientemente in rapporto alla linea posteriore della base.



Causa: Uno o entrambi i bordi delle lame sporgono eccessivamente in rapporto alla linea posteriore della base.

Collegamento di un aspirapolvere

Modello per i Paesi e le aree dell'Europa (Fig. 7)

Per eseguire una operazione di piallatura pulita, collegare all'utensile un aspirapolvere Makita. Installare il boccaglio sull'utensile usando le viti. Collegare poi il manicotto dell' aspirapolvere al boccaglio, come mostrato nell'illustrazione.

Modello per gli altri paesi ed aree (Fig. 8)

Per collegare un aspirapolvere Makita all'utensile è necessario un boccaglio e un giunto (accessori opzionali). Per il boccaglio e il giunto, consultare un catalogo o un rappresentante Makita.

FUNZIONAMENTO

Funzionamento della piallatrice (Fig. 9)

Prima cosa, appoggiare il piano anteriore dell'utensile sulla superficie del pezzo da lavorare senza che le lame vadano a contatto con nulla. Mettere in moto e aspettare che le lame arrivino alla massima velocità. Quindi muovere la pialla in avanti lentamente. All'inizio della piallatura esercitare pressione sulla parte anteriore dell'utensile, a nella parte posteriore alla fine della medesima. La piallatura riuscirà più facile se inclinate il pezzo da lavorare e lo fissate, in modo che si possa piallare un poco in discesa.

La velocità e profondità di taglio determinano il tipo di finitura. La piallatrice funziona ad una velocità che non permette l'ingolfamento dei trucioli. Per tagli alla buona la profondità di taglio può essere aumentata, mentre per ottenere una bella finitura si richiede una riduzione della profondità di taglio e di velocità di avanzamento.

MANUTENZIONE

ATTENZIONE:

- Prima di eseguire qualsiasi lavoro sulla macchina, accertatevi sempre che sia spenta e staccata dalla presa di corrente.
- Mai usare benzina, benzene, solventi, alcol e altre sostanze simili. Potrebbero causare scolorimenti, deformazioni o crepe.

Affilatura delle lame della piallatrice (Fig. 10, 11 e 12)

Per delle prestazioni ottimali, mantenere sempre le lame affilate. Usare il supporto di affilatura per togliere le tacche e produrre un bordo affilato.

Allentare per prima cosa i due dadi ad alette sul supporto e inserire le lame (A) e (B) in modo che facciano contatto con i lati (C) e (D). Stringere poi i dadi ad alette.

Prima dell'affilatura, immergere nell'acqua per 2 o 3 minuti la pietra per affilare. Per l'affilatura simultanea allo stesso angolo, tenere il supporto in modo che entrambe le lame facciano contatto con la pietra per affilare.

Sostituzione delle spazzole di carbone (Fig. 13, 14 e 15)

Rimuovere e controllare regolarmente le spazzole di carbone. Sostituirle quando sono usurate fino al segno del limite. Mantenere le spazzole di carbone pulite e libere di slittare nei portaspazzole. Entrambe le spazzole di carbone devono essere sostituite allo stesso tempo. Usare soltanto spazzole di carbone identiche.

Usare un cacciavite per rimuovere il coperchio trucioli.

Usare un cacciavite per rimuovere i tappi dei portaspazzole.

Estrarre le spazzole usurate, inserire quelle nuove e fissare i tappi dei portaspazzole.

Per preservare la SICUREZZA e l’AFFIDABILITÀ del prodotto, le riparazioni, la manutenzione o la regolazione devono essere eseguite da un Centro Assistenza Makita autorizzato usando sempre ricambi Makita.

ACCESSORI OPZIONALI

ATTENZIONE:

- Questi accessori o attrezzi sono consigliati per l’uso con l’utensile Makita specificato in questo manuale. L’impiego di altri accessori o attrezzi può costituire un rischio di lesioni alle persone. Usare gli accessori soltanto per il loro scopo prefissato.

Per ottenere maggiori dettagli su questi accessori, rivolgersi a un Centro Assistenza Makita autorizzato.

- Lama di acciaio pialla ad alta velocità
- Gruppo supporto di affilatura
- Calibro lama
- Guida laterale (righello guida)
- Gruppo guida di estensione
- Pietra di affilatura
- Insieme del boccaglio
- Chiave esagonale

NOTA:

- Alcuni articoli nella lista potrebbero essere inclusi nell’imballo dell’utensile come accessori standard. Essi potrebbero differire da Paese a Paese.

ENG905-1

Rumore

Il tipico livello di rumore pesato A determinato secondo EN60745:

Livello pressione sonora (L_{pA}): 92 dB (A)

Livello potenza sonora (L_{WA}): 103 dB (A)

Incertezza (K): 3 dB (A)

Indossare i paraorecchi

ENG900-1

Vibrazione

Il valore totale di vibrazione (somma vettore triassiale) determinato secondo EN60745:

Modalità operativa: piallatura del legno dolce

Emissione di vibrazione (a_h): 2,5 m/s²

Incertezza (K): 1,5 m/s²

ENG901-1

- Il valore di emissione delle vibrazioni dichiarato è stato misurato conformemente al metodo di test standard, e può essere usato per paragonare un utensile con un altro.
- Il valore di emissione delle vibrazioni dichiarato può anche essere usato per una valutazione preliminare dell’esposizione.

AVVERTIMENTO:

- L’emissione delle vibrazioni durante l’uso reale dell’utensile elettrico può differire dal valore di emissione dichiarato a seconda dei modi in cui viene usato l’utensile.
- Identificare le misure di sicurezza per la protezione dell’operatore basate sulla stima dell’esposizione nelle condizioni reali d’utilizzo (tenendo presente tutte le parti del ciclo operativo, come le volte in cui l’utensile viene spento e quando gira a vuoto, oltre al tempo di funzionamento).

Modello per l’Europa soltanto

Dichiarazione CE di conformità

Noi della Makita Corporation, come produttori responsabili, dichiariamo che le macchine Makita seguenti:

Designazione della macchina:

Pialla

Modello No./Tipo: 1806B

sono una produzione di serie e

conformi alle direttive europee seguenti:

2006/42/CE

E sono fabbricate conformemente ai seguenti standard o documenti standardizzati:

EN60745

La documentazione tecnica è tenuta dal nostro rappresentante autorizzato in Europa, che è:

Makita International Europe Ltd.

Michigan Drive, Tongwell,

Milton Keynes, Bucks MK15 8JD, England

30.1.2009



Tomoyasu Kato
Amministratore

Makita Corporation
3-11-8, Sumiyoshi-cho,
Anjo, Aichi, 446-8502, JAPAN

Verklaring van algemene gegevens

1 Knop	9 Afdekplaat van beitelwals	18 Vleugelmoer
2 Trekkerschakelaar	10 Beitelwals	19 Mes (A)
3 Vergrendelknop/Ontgrendelknop	11 Doorzichtige driehoek	20 Mes (B)
4 Zeskantsleutel	12 Schroefdraaier	21 Zijkant (C)
5 Inbusbout	13 Verbindingsstuk	22 Zijkant (D)
6 Stelschroef	14 Stofzuiger	23 Limiet markering
7 Schaafmes	15 Start	24 Spaanafvoer
8 Uitsparing in het mes	16 Einde	25 Koolborsteldop
	17 Aanscherphouder	

TECHNISCHE GEGEVENS

GEB010-4

Model	1806B
Schaafbreedte	170 mm
Schaafdiepte	2 mm
Toerental onbelast (min^{-1})	15 000
Totale lengte	529 mm
Netto gewicht	9,0 kg
Veiligheidsklasse	II/II

- In verband met ononderbroken research en ontwikkeling behouden wij ons het recht voor bovenstaande technische gegevens te wijzigen zonder voorafgaande kennisgeving.
- De technische gegevens kunnen van land tot land verschillen.
- Gewicht volgens de EPTA-procedure 01/2003

Doeleinden van gebruik

ENF001-1

Het gereedschap is bedoeld voor het schaven van hout.

ENF002-2

Stroomvoorziening

Het gereedschap mag alleen worden aangesloten op een stroombron van hetzelfde voltage als aangegeven op de naamplaat, en kan alleen op enkel-fase wisselstroom worden gebruikt. Het gereedschap is dubbel-geïsoleerd volgens de Europese standaard en kan derhalve ook op een niet-geaard stopcontact worden aangesloten.

ENF100-1

Voor openbare laagspanningsverdeelssystemen van tussen 220 V en 250 V

Schakelbedieningen van elektrische toestellen veroorzaken spanningsschommelingen. De bediening van dit gereedschap onder ongunstige lichtnetomstandigheden kan een nadelige invloed hebben op de bediening van andere apparatuur. Het kan worden aangenomen dat er geen negatieve effecten zullen zijn wanneer de netimpedantie gelijk is aan of minder is dan 0,41 Ohm. Het stopcontact dat voor dit gereedschap wordt gebruikt, moet beveiligd zijn door een zekering of een stroomonderbreker met trage afschakelkarakteristieken.

GEA010-1

Algemene veiligheidswaarschuwingen voor elektrisch gereedschap

⚠ WAARSCHUWING Lees alle veiligheidswaarschuwingen en alle instructies. Het niet volgen van de waarschuwingen en instructies kan leiden tot elektrische schokken, brand en/of ernstig letsel.

Bewaar alle waarschuwingen en instructies om in de toekomst te kunnen raadplegen.

VEILIGHEIDSWAARSCHUWING SPECIEFIEK VOOR DE SCHAAF

- 1. Wacht tot de schaaftbeitel stilstaat voordat u het gereedschap neerlegt.** Een blootliggende schaaftbeitel kan in het oppervlak aangrijpen waardoor u de controle over het gereedschap kunt verliezen en ernstig letsel kan worden veroorzaakt.
- 2. Houd het gereedschap alleen vast aan de geïsoleerde handgrepen, want er bestaat een kans dat het snoer beschadigd wordt.** Als er een stroomdraad wordt doorgesneden, komen de metalen delen van het apparaat onder stroom te staan en dan kunt u een elektrische schok krijgen.
- 3. Gebruik klemmen of een andere praktische methode om het werkstuk op een stabiele ondergrond te bevestigen en ondersteunen.** Als u het werkstuk in uw hand of tegen uw lichaam geklemd houdt, is het onvoldoende stabiel en kunt u de controle erover verliezen.
- 4. Lompen, doeken, touwen en soortgelijke prullen dienen nooit in het werkgebied achtergelaten te worden.**
- 5. Zorg dat het gereedschap nooit in contact komt met spijkers.** Verwijder alvorens te schaven eventuele spijkers van het werkstuk.
- 6. Gebruik uitsluitend scherpe schaaftbeitelmessen.** Wees zeer voorzichtig met de schaaftbeitelmessen.
- 7. Controleer alvorens te schaven of de bevestigingsbouten van de schaaftbeitelmessen stevig vastgedraaid zijn.**
- 8. Houd het gereedschap met beide handen stevig vast.**
- 9. Houd uw handen uit de buurt van de bewegende delen.**
- 10. Alvorens het gereedschap op een werkstuk te gebruiken, laat u het een tijdje draaien.** Onderzoek het op vibraties of schommelende bewegingen die op een onjuiste installatie of onjuist gebalanceerde schaaftbeitelmessen kunnen wijzen.
- 11. Zorg dat de schaaftbeitelmessen niet in aanraking zijn met het werkstuk als u het gereedschap in wilt schakelen.**
- 12. Wacht alvorens te schaven tot de schaaftbeitelmessen op volle snelheid draaien.**
- 13. Alvorens iets bij te stellen dient u altijd het gereedschap uit te schakelen en te wachten tot dat de schaaftbeitelmessen volledig tot stilstand zijn gekomen.**

14. Steek uw vinger nooit in de spaanafvoer. De spanen kunnen erin klem raken als u nat hout schaaft. Verwijder in dit geval de spanen met een stukje hout.
15. Schakel altijd uit als u het gereedschap niet gebruikt. Schakel het gereedschap alleen in als u het in handen houdt.
16. Vervang altijd gelijktijdig beide schaafbeitelmessen en klemplaten, aangezien anders het resulterende verlies van evenwicht trillingen kunnen veroorzaken, waardoor de gebruiksduur van het gereedschap verkort kan worden.
17. Gebruik alleen Makita schaafbeitelmessen die in deze gebruiksaanwijzing zijn gespecificeerd.
18. Gebruik altijd het juiste stofmasker/ademhalingsapparaat voor het materiaal en de toepassing waarmee u werkt.

BEWAAR DEZE VOORSCHRIFTEN.

WAARSCHUWING:

Laat u NIET misleiden door een vals gevoel van comfort en bekendheid met het gereedschap (na veelvuldig gebruik) en neem alle veiligheidsvoorschriften van het betreffende product altijd strikt in acht. **VERKEERD GEBRUIK** of het niet naleven van de veiligheidsvoorschriften in deze gebruiksaanwijzing kan leiden tot ernstige verwondingen.

GEBRUIK VAN HET GEREEDSCHAP

LET OP:

- Zorg altijd dat het gereedschap is uitgeschakeld en zijn netsnoer uit het stopcontact is verwijderd voordat u functies op het gereedschap gaat afstellen of controleren.

Instellen van schaafdiepte (Fig. 1)

De schaafdiepte is heel eenvoudig in te stellen door de knop voor op het gereedschap te verdraaien.

Werking van de trekkerschakelaar

LET OP:

- Alvorens de machine op netstroom aan te sluiten, dient u altijd te controleren of de trekkerschakelaar behoorlijk werkt en bij het loslaten naar de "OFF" positie terugkeert.

Voor machines zonder vergrendelknop en ontgrendelknop (Fig. 2)

Om de machine in te schakelen, drukt u gewoon de trekkerschakelaar in. Laat de schakelaar los om de machine uit te schakelen.

Voor machines met een vergrendelknop (Fig. 3)

Om de machine in te schakelen, drukt u gewoon de trekkerschakelaar in. Laat de schakelaar los om de machine uit te schakelen.

Voor continu gebruik, eerst de trekkerschakelaar en dan de vergrendelknop indrukken.

Om de machine vanuit de vergrendelde stand te stoppen, de trekkerschakelaar helemaal indrukken en deze dan loslaten.

Voor machines met een ontgrendelknop (Fig. 3)

Een ontgrendelknop is voorzien om te voorkomen dat de trekkerschakelaar per toeval wordt ingedrukt.

Om de machine te starten, druk de ontgrendelknop in en druk dan de trekkerschakelaar in. Om de machine te stoppen, de trekkerschakelaar loslaten.

INEENZETTEN

LET OP:

- Zorg altijd dat het gereedschap is uitgeschakeld en zijn netsnoer uit het stopcontact is verwijderd voordat u enig werk aan het gereedschap uitvoert.

Verwijderen of installeren van schaafbeitels (Fig. 4, 5 en 6)

LET OP:

- Trek de bevestigingsbouten van de schaafbeitel goed aan wanneer u beitels op het gereedschap monteert. Een losse bevestigingsbout kan gevaar opleveren. Controleer altijd of de bouten goed zijn vastgezet.
- Behandel de beitels uiterst voorzichtig. Gebruik handschoenen of doeken om uw vingers of handen te beschermen wanneer u de beitels verwijdert of installeert.
- Gebruik voor het verwijderen of installeren van de beitels uitsluitend de meegeleverde Makita sleutel. Bij gebruik van andere sleutels, kunnen de bevestigingsbouten te veel of te weinig worden aangedraaid. Dit kan verwonding veroorzaken.

Om de messen van de beitelwals te verwijderen, draait u met een zeskantsleutel de vijf bevestigingsbouten los. De klemplaat kunt u dan tegelijk met de messen afnemen.

Alvorens de messen te installeren dienen ze gereinigd te worden van eventuele spaanders, stof en vuil. Ook de beitelwals dient te worden schoongemaakt. Gebruik altijd messen van dezelfde afmetingen en gewicht, aangezien anders trillingen of schudden van de beitelwals kunnen worden veroorzaakt, waardoor het gereedschap niet meer goed schaaft en uiteindelijk defekt raakt.

Er zijn twee afstelschroeven voor elk mes. Bij het installeren van de messen, dient u de koppen van de afstelschroeven in de uitsparingen in de messen te passen. Plaats vervolgens de klemplaat en draai met uw vingers de vijf bevestigingsbouten vast.

Draai de beitelwals om totdat de scherpe kant van het mes zich in het midden tussen de voorste en achterste scharfzool bevindt.

Leg vervolgens een doorzichtige driehoek op het achterste zoelvlak en schuif hem naar de scherpe kant van het mes totdat deze ermee bedekt wordt. Draai de twee afstelschroeven om de uitsteeklengte van het mes in te stellen. Het mes moet zo worden ingesteld dat de uitsteeklengte over de hele breedte gelijk is. De geodriehoek moet vlak aanliggen over de gehele breedte van de scherpe kant van het mes. Na beide messen te hebben ingesteld, draait u alle bevestigingsbouten gelijkmatig en beurtelings vast met behulp van de inbussleutel.

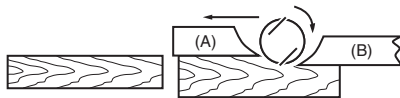
Nadat de bevestigingsbouten zijn vastgedraaid, draait u de afstelschroeven volledig vast.

Voor de juiste mesinstelling

Uw schaaflvlak zal ruw en ongelijk worden, indien het mes niet correct is ingesteld. Het mes moet dusdanig gemontereerd worden dat de zijkant absoluut gelijk ligt ofwel parallel met het vlak van de achterzool. Onderstaand enkele voorbeelden van juiste en onjuiste instellingen.

- (A) Voorzool (beweegbaar)
- (B) Achterzool (vast)

Correcte instelling



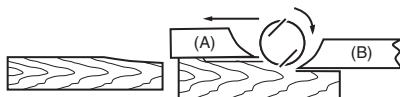
Ofschoon dit zijaanzicht het niet toont, draaien de snijkanten van het schaafbeitelmes perfect parallel met de achterzool.

Happen in het oppervlak



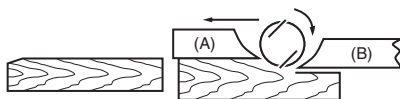
Oorzaak: Eén van beide schaafbeitel-messen staat niet parallel ingesteld met achterzool.

Gutsen bij het begin



Oorzaak: Eén van beide schaafbeitel-messen steekt niet voldoende uit in relatie tot achterzool.

Gutsen het eind



Oorzaak: Eén van beide schaafbeitel-messen steekt te ver uit in relatie tot achterzool.

Aansluiten van een stofzuiger

Voor Europese landen en gebieden (Fig. 7)

Wanneer u tijdens het schaven schoon wilt werken, sluit u een Makita-stofzuiger aan op uw gereedschap. Monteer het verbindingsstuk op het gereedschap met behulp van de schroeven. Sluit vervolgens de stofzuigerslang aan op het verbindingsstuk, zoals aangegeven in de afbeelding.

Voor andere landen en gebieden (Fig. 8)

Om een Makita-stofzuiger aan uw machine te bevestigen, hebt u een verbindingsstuk en scharnierstuk (los verkrijgbare accessoires) nodig. Voor het verbindingsstuk en scharnierstuk dient u een catalogus of vertegenwoordiger van Makita te raadplegen.

BEDIENING

Schaven (Fig. 9)

Leg eerst het voorste zoolvlak plat op het oppervlak van het werkstuk, zonder dat de messen nog iets aanraken. Schakel het gereedschap in en wacht totdat de messen op volle snelheid draaien. Hierna beweegt u het gereedschap langzaam vooruit. Oefen druk uit op het voorste gedeelte van het gereedschap als u begint te schaven en op het achterste gedeelte als het einde nadert. Het schaven gaat gemakkelijker als u het werkstuk een beetje schuin houdt, zodat u schaaft met het gereedschap iets naar beneden gericht.

De snelheid waarmee u schaaft en de schaaftdiepte bepalen het resultaat. De snelheid van het gereedschap zelf is zodanig dat de spanen nooit klemraken. Voor ruw schaven kunt u de schaaftdiepte vermeerderen, terwijl voor een goede afwerking de schaaftdiepte verminderd moet worden en het gereedschap langzamer vooruitbewogen dient te worden.

ONDERHOUD

LET OP:

- Zorg er altijd voor dat de machine is uitgeschakeld en de stekker uit het stopcontact is verwijderd alvorens werken aan de machine uit te voeren.
- Gebruik nooit benzine, wasbenzine, thinner, alcohol en dergelijke. Hierdoor het verkleuring, vervormingen en barsten worden veroorzaakt.

Aanscherpen van de schaafmessen (Fig. 10, 11 en 12)

Houd uw schaafmessen altijd scherp om de best mogelijke resultaten te krijgen. Gebruik de aanscherphouder. Om bramen te verwijderen of de beitels aan te scherpen. Draai eerst de twee vleugelmoeren op de houder los en steek messen (A) en (B) erin zodat deze met zijkanten (C) en (D) in aanraking komen. Draai dan de twee vleugelmoeren vast.

Dompel de wetsteen voor 2 of 3 minuten in water alvorens aan te scherpen. Houd de aanscherphouder zodanig, dat beide messen met de wetsteen in aanraking komen voor gelijktijdig aanscherpen onder dezelfde hoek.

Vervangen van de koolborstels (Fig. 13, 14 en 15)

Verwijder en controleer regelmatig de koolborstels. Vervang de koolborstels wanneer ze tot aan de limietmarkering versleten zijn. Houd de koolborstels schoon zodat ze goed in de houders glijden. Beide koolborstels dienen tegelijkertijd te worden vervangen. Gebruik uitsluitend identieke koolborstels.

Verwijder de schaafrulkap met behulp van een schroevendraaier.

Gebruik een schroevendraaier om de kappen van de koolborstelhouders te verwijderen.

Haal de versleten koolborstels eruit, schuif de nieuwe erin, en draai de borstelhouderdoppen goed vast.

Om de VEILIGHEID en BETROUWBAARHEID van het product te handhaven, dienen alle reparaties en alle andere onderhoudswerkzaamheden of afstellingen te worden uitgevoerd door een erkend Makita Servicecentrum, en dat uitsluitend met gebruik van Makita vervangingsonderdelen.

OPTIONELE ACCESSOIRES

LET OP:

- Deze accessoires of hulpstukken worden aanbevolen voor gebruik met het Makita gereedschap dat in deze gebruiksaanwijzing is beschreven. Bij gebruik van andere accessoires of hulpstukken bestaat er gevaar voor persoonlijke verwonding. Gebruik de accessoires of hulpstukken uitsluitend voor hun bestemd doel.

Wenst u meer bijzonderheden over deze accessoires, neem dan contact op met het plaatselijke Makita servicecentrum.

- Snelstalen schaafmes
- Aanscherphouder
- Mesmeter
- Zijkantgeleider (liniaal)
- Stel verlengstukken
- Wetsteen
- Verbindingsstuk
- Zeskantsleutel

OPMERKING

- Sommige onderdelen in deze lijst kunnen bij het gereedschap zijn meegeleverd als standaard-accessoires. Deze kunnen van land tot land verschillen.

ENG905-1

Geluidsniveau

De typisch, A-gewogen geluidsniveaus vastgesteld volgens EN60745:

- Geluidsdrukniveau (L_{pA}): 92 dB (A)
- Geluidsenergie-niveau (L_{WA}): 103 dB (A)
- Onnauwkeurigheid (K): 3 dB (A)

Draag oorbeschermers

ENG900-1

Trilling

De totaalwaarde van de trillingen (triaxiale vectorsom) vastgesteld volgens EN60745:

- Toepassing: schaven van zachthout
- Trillingsemmissie (a_h): 2,5 m/s²
- Onnauwkeurigheid (K): 1,5 m/s²

- De opgegeven trillingsemmissiewaarde is gemeten volgens de standaardtestmethode en kan worden gebruikt om dit gereedschap te vergelijken met andere gereedschappen.
- De opgegeven trillingsemmissiewaarde kan ook worden gebruikt voor een beoordeling vooraf van de blootstelling.

WAARSCHUWING:

- De trillingsemmissie tijdens het gebruik van het elektrisch gereedschap in de praktijk kan verschillen van de opgegeven trillingsemmissiewaarde afhankelijk van de manier waarop het gereedschap wordt gebruikt.
- Zorg ervoor dat veiligheidsmaatregelen worden getroffen ter bescherming van de operator die zijn gebaseerd op een schatting van de blootstelling onder praktijkomstandigheden (rekening houdend met alle fasen van de bedrijfscyclus, zoals de tijdsduur gedurende welke het gereedschap is uitgeschakeld en stationair draait, naast de ingeschakelde tijdsduur).

ENH101-15

Alleen voor Europese landen

EU-Verklaring van Conformiteit

Wij, Makita Corporation, als de verantwoordelijke fabrikant, verklaren dat de volgende Makita-machine(s):

Aanduiding van de machine:

Schaafmachine

Modelnr./Type: 1806B

in serie zijn geproduceerd en

Voldoen aan de volgende Europese richtlijnen:
2006/42/EU

En zijn gefabriceerd in overeenstemming met de volgende normen of genormaliseerde documenten:
EN60745

De technische documentatie wordt bewaard door onze erkende vertegenwoordiger in Europa, te weten:
Makita International Europe Ltd.
Michigan Drive, Tongwell,
Milton Keynes, Bucks MK15 8JD, Engeland

30.1.2009



Tomoyasu Kato
Directeur

Makita Corporation
3-11-8, Sumiyoshi-cho,
Anjo, Aichi, 446-8502 JAPAN

Explicación de los dibujos

1 Pomo	9 Cubierta del tambor	18 Tuerca de mariposa
2 Gatillo de interruptor	10 Tambor	19 Cuchilla (A)
3 Botón de bloqueo/Botón de seguridad	11 Regla triangular	20 Cuchilla (B)
4 Llave hexagonal	12 Destornillador	21 Lado (C)
5 Tornillo	13 Tobera	22 Lado (D)
6 Tornillo de ajuste	14 Aspirador	23 Marca de límite
7 Cuchilla	15 Comienzo	24 Cubierta de virutas
8 Ranura en la cuchilla	16 Final	25 Tapas del portaescobillas
	17 Maestro de afilado	

ESPECIFICACIONES

GEB010-4

Modelo	1806B
Anchura de cepillado	170 mm
Profundidad de cepillado	2 mm
Velocidad en vacío (min ⁻¹)	15.000
Longitud total	529 mm
Peso neto	9,0 kg
Clase de seguridad	□/II

- Debido a un programa continuo de investigación y desarrollo, las especificaciones aquí dadas están sujetas a cambios sin previo aviso.
- Las especificaciones pueden ser diferentes de país a país.
- Peso de acuerdo con el procedimiento EPTA 01/2003

ENE001-1

Uso previsto

La herramienta ha sido prevista para cepillar madera.

ENF002-2

Alimentación

La herramienta solamente debe ser conectada a una fuente de alimentación de la misma tensión que la indicada en la placa de características, y solamente puede ser utilizada con alimentación de CA monofásica. La herramienta está doblemente aislada y, por consiguiente, también puede utilizarse con tomas de corriente sin conductor de puesta a tierra.

ENF100-1

Para sistemas de distribución de baja tensión de entre 220 y 250 V públicos

Los cambios de operación de aparatos eléctricos ocasionan fluctuaciones de tensión. La operación de este dispositivo en condiciones desfavorables de corriente puede afectar adversamente a la operación de otros equipos. Con una impedancia eléctrica igual o inferior a 0,41 ohmios, se puede asumir que no surgirán efectos negativos.

La toma de corriente utilizada para este dispositivo deberá estar protegida con un fusible o disyuntor que tenga unas características de desconexión lenta.

GEA010-1

Advertencias de seguridad generales para herramientas eléctricas

⚠ ADVERTENCIA Lea todas las advertencias de seguridad y todas las instrucciones. Si no sigue todas las advertencias e instrucciones podrá ocasionar una descarga eléctrica, un incendio y/o heridas graves.

Guarde todas las advertencias e instrucciones para futuras referencias.

ADVERTENCIAS DE SEGURIDAD PARA EL CEPILLO

1. **Espera hasta que las cuchillas se paren antes de dejar la herramienta.** Una cuchilla expuesta puede entrar en contacto con la superficie y ocasionar una posible pérdida de control y graves heridas.
2. **Sujete la herramienta eléctrica por las superficies de asimiento aisladas solamente, porque el cortador puede entrar en contacto con su propio cable.** Si corta un cable con corriente hará que la corriente circule por las partes metálicas expuestas de la herramienta eléctrica y podrá soltar una descarga eléctrica al operario.
3. **Utilice mordazas u otros medios de sujeción prácticos para sujetar y apoyar la pieza de trabajo en una plataforma estable.** Sujetada con la mano o contra su cuerpo, la pieza de trabajo estará inestable y podrá ocasionar la pérdida del control.
4. **No deje nunca trapos, ropas, cuerdas, cordeles u ajuste similares en los alrededores del área de trabajo.**
5. **Evite el cortar clavos.** Busque y extraiga todos los clavos de la pieza de trabajo antes de realizar la operación.
6. **Utilice solamente cuchillas afiladas.** Maneje las cuchillas con mucho cuidado.
7. **Asegúrese que los pernos de instalación de la cuchilla estén apretados firmemente antes de realizar la operación.**
8. **Sujete la herramienta firmemente con ambas manos.**
9. **Mantenga las manos alejadas de las partes rotativas.**
10. **Antes de utilizar la herramienta en la pieza de trabajo actual, déjela funcionar durante un rato. Vea que no haya vibraciones u oscilaciones que puedan indicar una instalación mal hecha o una cuchilla mal equilibrada.**
11. **Asegúrese de que la cuchilla no toque la pieza de trabajo antes de que se conecte el interruptor.**
12. **Espere hasta que la cuchilla haya alcanzado toda su velocidad antes de empezar a cortar.**
13. **Cuando desconecte la herramienta, espere a que las cuchillas se hayan parado totalmente antes de realizar cualquier tipo de ajuste.**
14. **Nunca ponga el dedo en la salida de virutas. La salida puede obstruirse cuando se corta madera húmeda. Extraiga las virutas con un palo.**

15. No deje la herramienta funcionando. Opere la herramienta solamente cuando la tenga en las manos.
16. Cambie siempre ambas cuchillas o cubiertas del tambor, de otra manera el desequilibrio que se produciría causaría vibraciones y acortaría la vida de la herramienta.
17. Emplee solamente las cuchillas Makita especificadas en este manual.
18. Utilice siempre la mascarilla contra el polvo o el respirador correcto para el material con que esté trabajando y la aplicación que realice.

GUARDE ESTAS INSTRUCCIONES.

ADVERTENCIA:

NO deje que la comodidad o familiaridad con el producto (a base de utilizarlo repetidamente) sustituya la estricta observancia de las normas de seguridad para el producto en cuestión. El MAL USO o el no seguir las normas de seguridad establecidas en este manual de instrucciones podrá ocasionar graves heridas personales.

DESCRIPCIÓN DEL FUNCIONAMIENTO

PRECAUCIÓN:

- Asegúrese siempre de que la herramienta esté apagada y desenchufada antes de ajustar o comprobar cualquier función en la herramienta.

Ajuste de la profundidad de corte (Fig. 1)

La profundidad de corte se puede ajustar simplemente girando el pomo de la parte frontal de la herramienta.

Acción del interruptor

PRECAUCIÓN:

- Antes de conectar la herramienta, verifique siempre que el gatillo de interruptor funcione correctamente y vuelva a la posición "OFF" al dejarlo libre.

Para máquinas sin botón de bloqueo ni botón de seguridad (Fig. 2)

Para arrancar la herramienta, apriete simplemente el gatillo. Déjelo libre para detener la herramienta.

Para máquinas con botón de bloqueo (Fig. 3)

Para arrancar la herramienta, apriete simplemente el gatillo. Déjelo libre para detener la herramienta.

Para realizar una operación continua, apriete el gatillo y luego presione hacia adentro el botón de bloqueo.

Para detener la herramienta estando el botón en la posición de bloqueo, apriete completamente el gatillo y luego déjelo libre.

Para máquinas con botón de seguridad (Fig. 3)

Para evitar apretar accidentalmente el gatillo se ha suministrado un botón de seguridad.

Para arrancar la herramienta, presione el botón de seguridad y apriete el gatillo. Deje libre el gatillo para detener la herramienta.

MONTAJE

PRECAUCIÓN:

- Asegúrese siempre de que la herramienta esté apagada y desenchufada antes de realizar cualquier trabajo en la herramienta.

Desmontaje o instalación de las cuchillas del cepillo (Fig. 4, 5 y 6)

PRECAUCIÓN:

- Apriete los pernos de instalación de la cuchilla con cuidado cuando coloque las cuchillas en la herramienta. Un perno de instalación flojo puede ser peligroso. Compruebe siempre para cerciorarse de que están apretados firmemente.
- Maneje las cuchillas con mucho cuidado. Póngase guantes o utilice trapos para proteger sus dedos o manos cuando desmonte o instale las cuchillas.
- Utilice solamente la llave Makita provista para desmontar o instalar las cuchillas. De lo contrario, podrá producirse recalentamiento o un apretado insuficiente de los pernos de instalación. Esto podría ocasionar una herida.

Para extraer las cuchillas del tambor, desenrosque los cinco tornillos de instalación con una llave hexagonal . La cubierta del tambor se desprenderá junto con las cuchillas.

Para instalar las cuchillas, limpie primero todas las virutas o materiales extraños adheridos al tambor o a las cuchillas. Utilice cuchillas de las mismas dimensiones y peso, o se producirán oscilaciones/vibraciones, provocando una acción de cepillado imperfecta y, eventualmente, la rotura de la herramienta.

Para cada cuchilla hay dos tornillos de ajuste. Cuando instale la cuchilla, la ranura debe coincidir con la cabeza del tornillo de ajuste. Luego coloque la cubierta del tambor y atornille los cinco tornillos con la mano.

Gire el tambor hasta que el borde de la cuchilla esté justo en el centro entre las bases delantera y trasera.

Coloque la regla triangular en la base y deslícela sobre el borde de la cuchilla. Gire los dos tornillos de ajuste para graduar la altura de la cuchilla. El ajuste debe hacerse de manera que la protrusión de la cuchilla sea uniforme en el cepillo. Además la regla triangular debe ponerse al ras con todo el ancho del borde de la cuchilla. Después de ajustar ambas cuchillas, apriete todos los tornillos de instalación uniforme y alternadamente con la llave hexagonal.

Después de apretar los tornillos, asegúrese de los tornillos de ajuste completamente.

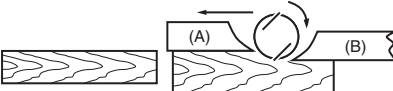
Para el ajuste correcto de la cuchilla de cepilladora

Su superficie de cepillado quedará tosca y desnivelada, a no ser que la cuchilla sea ajustada adecuada y fuertemente. La cuchilla debe montarse de tal manera que el borde cortante esté absolutamente nivelado, es decir, paralelo a la superficie de la base trasera.

Debajo hay algunos ejemplos de ajustes buenos y malos.

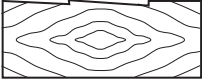
- (A) Base frontal (zapata móvil)
- (B) Base trasera (zapata estacionaria)

Ajuste correcto



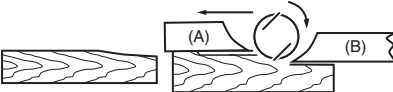
Aun cuando esta vista lateral no deje verlo, los bordes de las cuchillas corren perfectamente paralelos a la superficie de la base trasera.

Superficie con muescas



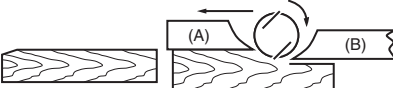
Causa: Una o ambas cuchillas no tiene el borde paralelo a la línea de la base trasera.

Escopleado al principio



Causa: Uno o ambos bordes de la cuchilla no sobresale suficientemente en relación a la línea de la base trasera.

Escopleado al fin



Causa: Uno o ambos bordes de la cuchilla sobresale demasiado en relación a la base trasera.

Conexión de un aspirador

Para países europeos (Fig. 7)

Cuando quiera realizar una operación de cepillado limpia, conecte un aspirador Makita a su herramienta. Instale la tobera en la herramienta utilizando los tornillos. Después conecte la manguera del aspirador a la tobera como se muestra en las figuras.

Para otros países (Fig. 8)

Para conectar un aspirador Makita a su herramienta necesitará una tobera y una junta (accesorios opcionales). Consulte un catálogo o con un representante de Makita para conocer la tobera y la junta que deberá utilizar.

OPERACIÓN

Operación de cepillado (Fig. 9)

Primeramente, ponga la herramienta descansando sobre su base sobre la pieza de trabajo sin que las cuchillas hagan contacto con ella. Conecte la herramienta y espere a que las cuchillas alcancen su velocidad máxima. Luego mueva la herramienta con cuidado hacia adelante. Aplique presión sobre la parte frontal de la herramienta al comienzo del cepillado. El cepillado resultará más fácil si la pieza de trabajo es afianzada firmemente, de manera que se pueda cepillar hacia abajo.

La velocidad y la profundidad de corte determinan el tipo de acabado. La fuerza motriz de la cepilladora corta a una velocidad a la que no se producirán atascos por las virutas. Para un corte tosco se debe incrementar la profundidad de corte, mientras que para un buen acabado se debe reducir la profundidad de corte y avanzar la herramienta más lentamente.

MANTENIMIENTO

PRECAUCIÓN:

- Asegúrese siempre de que la herramienta esté desconectada y desenchufada antes de realizar ninguna reparación en ella.
- No utilice nunca gasolina, bencina, disolvente, alcohol o similares. Podría producir descolocación, deformación o grietas.

Afilado de las cuchillas de la cepilladora (Fig. 10, 11 y 12)

Mantenga siempre afiladas las cuchillas para conseguir el mejor resultado posible. Utilice el maestro de afilado para evitar las mellas y conseguir un buen filo.

Primero, afloje las dos tuercas de mariposa del soporte e inserte las cuchillas (A) y (B) de manera que toquen los lados (C) y (D). Luego apriete las tuercas de mariposa. Sumerja la piedra afiladora en agua durante unos 2 ó 3 minutos antes del afilado. Sostenga el soporte de manera que ambas cuchillas toquen la piedra afiladora para realizar un afilado simultáneo al mismo ángulo.

Reemplazo de las escobillas de carbón (Fig. 13, 14 y 15)

Extraiga e inspeccione las escobillas de carbón regularmente. Reemplácelas cuando se hayan desgastado hasta la marca límite. Mantenga las escobillas de carbón limpias de forma que entren libremente en los portaescobillas. Deberán reemplazarse ambas escobillas de carbón al mismo tiempo. Utilice únicamente escobillas de carbón idénticas.

Utilice un destornillador para quitar la cubierta contra virutas.

Utilice un destornillador para quitar las tapas del portaescobillas.

Saque las escobillas de carbón gastadas, inserte las nuevas y apriete las tapas del portaescobillas.

Para mantener la SEGURIDAD y la FIABILIDAD del producto, las reparaciones y cualquier otro mantenimiento o ajuste deberán ser realizados por los centros de servicio autorizado de Makita, siempre con piezas de repuesto de Makita.

ACCESORIOS OPCIONALES

PRECAUCIÓN:

- Estos accesorios o aditamentos están recomendados para su uso con la herramienta Makita especificada en este manual. El uso de cualquier otro accesorio o aditamento puede suponer un riesgo de lesiones personales. Utilice el accesorio o aditamento exclusivamente para su uso declarado.

Si necesita información más detallada sobre estos accesorios, consulte con su centro local de servicio de Makita.

- Cuchilla de acero de alta velocidad
- Conjunto de maestro de afilado
- Calibrador de cuchilla
- Guía lateral (Regla guía)
- Juego de guía de extensión
- Piedra de asentar
- Montaje de tobera
- Llave hexagonal

NOTA:

- Algunos elementos de la lista podrán estar incluidos en el paquete de la herramienta como accesorios estándar. Pueden variar de un país a otro.

ENG905-1

Ruido

El nivel de ruido A-ponderado típico determinado de acuerdo con la norma EN60745:

Nivel de presión sonora (L_{pA}): 92 dB (A)
 Nivel de potencia sonora (L_{WA}): 103 dB (A)
 Error (K): 3 dB (A)

Póngase protectores en los oídos

ENG900-1

Vibración

El valor total de la vibración (suma de vectores triaxiales) determinado de acuerdo con la norma EN60745:

Modo tarea: cepillado de madera blanda
 Emisión de vibración (a_h): 2,5 m/s²
 Error (K): 1,5 m/s²

- El valor de emisión de vibración declarado ha sido medido de acuerdo con el método de prueba estándar y se puede utilizar para comparar una herramienta con otra.
- El valor de emisión de vibración declarado también se puede utilizar en una valoración preliminar de exposición.

ADVERTENCIA:

- La emisión de vibración durante la utilización real de la herramienta eléctrica puede variar del valor de emisión declarado dependiendo de las formas en las que la herramienta sea utilizada.
- Asegúrese de identificar medidas de seguridad para proteger al operario que estén basadas en una estimación de la exposición en las condiciones reales de utilización (teniendo en cuenta todas las partes del ciclo operativo tal como las veces cuando la herramienta está apagada y cuando está funcionando en vacío además del tiempo de gatillo).

ENH101-15

Para países europeos solamente

Declaración de conformidad CE

Makita Corporation como fabricante responsable declara que la(s) siguiente(s) máquina(s) de Makita:

Designación de máquina:
Cepillo

Modelo N°/Tipo: 1806B
son producidas en serie y

Cumplen con las directivas europeas siguientes:

2006/42/EC

Y que están fabricadas de acuerdo con las normas o documentos normalizados siguientes:

EN60745

Los documentos técnicos los guarda nuestro representante autorizado en Europa cuya persona es:

Makita International Europe Ltd.
Michigan Drive, Tongwell,
Milton Keynes, Bucks MK15 8JD, Inglaterra

30.1.2009



Tomoyasu Kato
Director

Makita Corporation
3-11-8, Sumiyoshi-cho,
Anjo, Aichi, 446-8502, JAPAN

Explicação geral

1 Botão	9 Placa (capa) de fixação da lâmina ao tambor	17 Suporte para afiar
2 Gatilho do interruptor	10 Tambor	18 Porca de orelhas
3 Botão de bloqueio/ desbloqueio	11 Guia triangular	19 Lâmina (A)
4 Chave hexagonal	12 Chave de fendas	20 Lâmina (B)
5 Parafuso de cabeça hexagonal	13 Tubo	21 Lado (C)
6 Parafuso	14 Aspirador	22 Lado (D)
7 Lâmina	15 Começo	23 Marca limite
8 Ranhura da lâmina	16 Fim	24 Falange de saída de aparas
		25 Tampas do porta-escovas

ESPECIFICAÇÕES

GEB010-4

Modelo	1806B
Largura da lâmina	170 mm
Profundidade de corte	2 mm
Velocidade em vazio (min ⁻¹)	15.000
Comprimento total	529 mm
Peso líquido	9,0 kg
Classe de segurança.....	II/II

- Devido ao nosso programa contínuo de pesquisa e desenvolvimento, as características indicadas neste documento estão sujeitas a alterações sem aviso prévio.
- As especificações podem diferir de país para país.
- Peso de acordo com o Procedimento 01/2003 da EPTA (European Power Tool Association)

ENE001-1

Utilização a que se destina

A ferramenta foi concebida para plainar madeira.

ENF002-2

Alimentação

A ferramenta só deve ser ligada a uma fonte de alimentação com a mesma voltagem da indicada na placa de características e só funciona com alimentação CA monofásica. Tem um sistema de isolamento duplo e pode, por isso, utilizar tomadas sem ligação à terra.

ENF100-1

Para sistemas públicos de distribuição de baixa voltagem entre 220 V e 250 V

Alternar a operação de aparelhos eléctricos pode causar flutuações de voltagem. A operação deste aparelho sob condições de alimentação não favoráveis pode ter efeitos adversos na operação de outro equipamento. Com uma impedância de alimentação igual ou inferior a 0,41 ohms pode-se presumir que não haverá efeitos negativos. A tomada de alimentação utilizada para este aparelho deve ser protegida com um fusível ou um disjuntor protector de circuito que tenha características de disparo lentas.

GEA010-1

Avisos gerais de segurança para ferramentas eléctricas

⚠ AVISO Leia todas os avisos de segurança e todas as instruções. O não cumprimento de todos os avisos e instruções pode originar choque eléctrico, incêndio e/ou ferimentos graves.

Guarde todos os avisos e instruções para futuras referências.

AVISOS DE SEGURANÇA PARA A PLAINA

1. **Espere que o cortador pare antes de o pôr de lado.** Um cortador exposto pode bater na superfície originando possível perda de controlo e ferimentos sérios.
2. **Segure a ferramenta pelas partes isoladas pois há risco do cortador tocar no seu próprio fio.** Cortar um fio "ligado" pode carregar as peças metálicas expostas da ferramenta e causar um choque no operador.
3. **Utilize grampos ou qualquer outra maneira prática para prender e suportar a peça de trabalho numa plataforma estável.** Pegar na peça de trabalho com a mão ou contra o seu corpo torna-a instável e pode perder o controlo.
4. **Nunca deixe trapos, roupas, cordas, cordéis ou objectos similares na área de serviço.**
5. **Evite cortar pregos.** Antes do início da operação retire todos os pregos da superfície que vai trabalhar.
6. **Utilize só lâminas afiadas.** Tenha cuidado quando pega nas lâminas.
7. **Verifique se os pernos do porta-lâminas estão bem apertados antes de iniciar o trabalho.**
8. **Agarre na ferramenta firmemente com as duas mãos.**
9. **Afaste as mãos das partes em rotação.**
10. **Antes de iniciar o trabalho deixe a ferramenta funcionar em vazio durante uns momentos.** Verifique se se produzem vibrações ou oscilações que possam indicar uma instalação incorrecta ou uma lâmina mal colocada.
11. **Não deixe a lâmina tocar na superfície de trabalho antes de accionar o interruptor.**
12. **Espere até a lâmina estar a funcionar na velocidade máxima antes de iniciar o corte.**
13. **Quando desligar a ferramenta, espere até que as lâminas estejam completamente paradas antes de efectuar qualquer afinação.**
14. **Nunca ponha o dedo na saída das partículas.** Esta saída pode ficar obstruída quando cortar madeira húmida. Extraia as partículas com uma vara.
15. **Não deixe a ferramenta a funcionar sozinha.** Trabalhe apenas quando a puder segurar com as duas mãos.
16. **Substitua sempre as duas lâminas ou as tampas do tambor.** Caso contrário provocará um desequilíbrio da ferramenta que originará vibrações e encurtará o seu tempo de vida útil.

17. Utilize só as lâminas da Makita especificadas neste manual.
18. Use sempre a máscara para o pó/respirador apropriado para o material e aplicação com que está a trabalhar.

GUARDE ESTAS INSTRUÇÕES.

AVISO:

NÃO permita que o conforto ou a familiaridade com o produto (adquirido com a utilização repetida) substitua a aderência estrita às regras de segurança da ferramenta. MÁ INTERPRETAÇÃO ou não seguimento das regras de segurança estabelecidas neste manual de instruções pode causar danos pessoais sérios.

INSTRUÇÕES DE FUNCIONAMENTO

PRECAUÇÃO:

- Certifique-se sempre de que a ferramenta está desligada e a ficha retirada da tomada antes de regular ou verificar as funções da ferramenta.

Regulação da profundidade de corte (Fig. 1)

Para regular a profundidade de corte basta rodar o botão existente na parte frontal da ferramenta.

Interruptor

PRECAUÇÃO:

- Antes de ligar a ferramenta verifique sempre se o gatilho funciona correctamente e volta para a posição "OFF" quando libertado.

Para ferramenta sem o botão de bloqueio/desbloqueio (Fig. 2)

Para ligar a ferramenta carregue no gatilho. Liberte-o para parar.

Para ferramenta com botão de bloqueio (Fig. 3)

Para ligar a ferramenta, carregue no gatilho. Liberte-o para parar.

Para operação contínua, carregue no gatilho e em seguida empurre o botão de bloqueio.

Para parar a ferramenta a partir da posição de bloqueio carregue completamente no gatilho e em seguida liberte-o.

Para ferramenta com botão de desbloqueio (Fig. 3)

Para evitar que carregue acidentalmente no gatilho existe um botão de desbloqueio.

Para ligar a ferramenta, pressione o botão de desbloqueio e carregue no gatilho. Liberte-o para parar.

CONJUNTO

PRECAUÇÃO:

- Certifique-se sempre de que a ferramenta está desligada e a ficha retirada da tomada antes de executar qualquer trabalho na ferramenta.

Retirar ou instalar as lâminas da plaina (Fig. 4, 5 e 6)

PRECAUÇÃO:

- Aperte cuidadosamente os pernos de instalação da lâmina quando prende a lâmina à ferramenta. Um perno de instalação solto pode ser perigoso. Verifique sempre que estão instalados seguramente.
- Pegue nas lâminas com cuidado. Use luvas ou um bocado de pano para proteger os seus dedos e mãos quando retira ou instala as lâminas.
- Só utilize a chave da Makita fornecida para retirar ou instalar as lâminas. Se assim não for pode resultar em aperto excessivo ou insuficiente dos pernos de instalação. Pode causar danos.

Para extrair as lâminas do tambor, desaperte os cinco pernos com a chave hexagonal. A placa do tambor soltar-se-á juntamente com as lâminas.

Limpe primeiro as aparas ou partículas que possam ter aderido às lâminas ou ao cilindro, antes de colocá-las. Utilize sempre lâminas com as mesmas dimensões e peso, a fim de evitar vibrações e oscilações que provocarão um corte imperfeito e possíveis avarias da ferramenta.

Cada lâmina fica segura com dois parafusos. Quando colocar a lâmina, a ranhura deve coincidir com a cabeça do parafuso. Seguidamente coloque a placa do tambor a aparafuse os cinco pernos à mão.

Rode o tambor até o bordo da lâmina ficar centrado entre as bases frontal e traseira.

Coloque a guia triangular na base e deslize-a sobre o bordo da lâmina. Rode os dois parafusos para regular a altura da lâmina. A regulação deve ser feita de maneira que a lâmina fique paralela à base da plaina. Além disso, a guia triangular deve ser colocada em vários pontos em toda a largura da lâmina. Depois de regular as duas lâminas, aperte todos os pernos numa sequência alternada, utilizando a chave hexagonal.

Certifique-se de que ficam bem apertados.

Regulação correcta da lâmina de corte

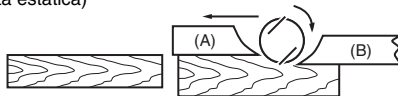
Se a lâmina não ficar apertada e regulada de maneira adequada, a superfície de trabalho ficará imperfeita e desnivelada. A lâmina deve ser colocada de modo que a sua extremidade de corte fique absolutamente nivelada, isto é, paralela à superfície da base traseira.

A seguir poderá observar alguns exemplos de regulações bem e mal feitas.

(A) Base frontal (sapata móvel)

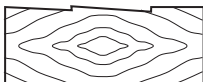
(B) Base traseira (sapata estática)

Regulação correcta



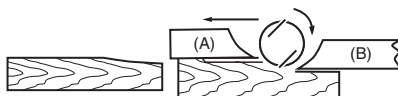
Embora esta perspectiva lateral não mostre, as extremidades das lâminas deslizam perfeitamente paralelas à superfície da base traseira.

Superfície com desníveis



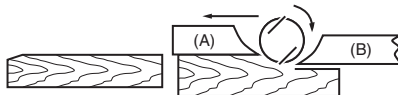
Causa: Uma ou ambas as lâminas não têm as extremidades paralelas à linha da base traseira.

Inclinação no princípio da peça



Causa: Uma ou ambas as extremidades da lâmina não sobressaem suficientemente em relação à linha da base traseira.

Inclinação na saída



Causa: Uma ou ambas as extremidades da lâmina sobressaem demasiado em relação à base traseira.

Ligação a um aspirador

Para países e áreas europeias (Fig. 7)

Para realizar uma operação de aplainamento mais limpa, ligue um aspirador da Makita à sua ferramenta. Instale o bocal na ferramenta utilizando os parafusos. A seguir, ligue a mangueira do aspirador ao bocal, como ilustrado nas figuras.

Para outros países e áreas (Fig. 8)

Necessita de um tubo e uma ligação (acessórios opcionais) para ligar um aspirador da Makita à sua ferramenta. Consulte um catálogo da Makita ou um representante sobre o tubo e a ligação.

OPERAÇÃO

Corte (Fig. 9)

Comece por colocar a ferramenta com a base sobre a superfície de trabalho, sem que as lâminas lhe toquem. Ligue a ferramenta e aguarde que as lâminas atinjam a sua velocidade máxima. Movimente a ferramenta com cuidado, para a frente. No início do corte faça pressão na parte dianteira da ferramenta. Facilitará o corte se a superfície de trabalho estiver bem segura, permitindo cortar até abaixo.

A velocidade e a profundidade de corte são determinantes para o tipo de acabamento. A força motriz da plaina corta a uma velocidade que não origina acumulação de aparas. Se desejar um corte rudimentar deverá aumentar a profundidade de corte, enquanto que para um acabamento perfeito deverá reduzir a profundidade de corte e movimentar a ferramenta lentamente.

MANUTENÇÃO

PRECAUÇÃO:

- Certifique-se sempre de que a ferramenta está desligada e a ficha retirada da tomada antes de efectuar qualquer inspeção e manutenção.
- Nunca utilize gasolina, benzina, diluente, álcool ou produtos semelhantes. Pode ocorrer a descoloração, deformação ou rachaduras.

Afiar as lâminas de corte (Fig. 10, 11 e 12)

Para obter os melhores resultados de trabalho mantenha sempre as lâminas bem afiadas. Utilize o suporte para afiar para evitar estragos e conseguir um bom fio.

Em primeiro lugar, desaperte as duas porcas de orelhas e introduza as lâminas (A) e (B) de maneira que toquem os lados (C) e (D). Seguidamente, aperte as porcas de orelhas.

Introduza a pedra de amolar na água durante cerca de 2 ou 3 minutos. Segure o suporte de maneira que ambas as lâminas toquem na pedra de amolar, a fim de que sejam afiadas em simultâneo e no mesmo ângulo.

Substituição das escovas de carvão

(Fig. 13, 14 e 15)

Retire e inspecione as escovas de carvão regularmente. Substitua-as quando estiverem gastas até à marca limite. Mantenha as escovas de carvão limpas e a deslizarem livremente nos suportes. As duas escovas de carvão devem ser substituídas ao mesmo tempo. Utilize só escovas de carvão idênticas.

Utilize uma chave de parafusos para retirar a cobertura para aparas.

Utilize uma chave de parafusos para retirar as tampas do porta-escovas.

Retire as escovas de carvão usadas, introduza escovas novas e prenda as tampas do porta-escovas.

Para manter a **SEGURANÇA** e **FIABILIDADE**, as reparações e outras acções de manutenção ou ajustes devem ser executados pelos Centros de assistência autorizados da Makita, utilizando sempre peças de substituição Makita.

ACESSÓRIOS OPCIONAIS

PRECAUÇÃO:

- Estes acessórios ou peças são recomendados para utilização com a ferramenta Makita especificada neste manual. A utilização de outros acessórios ou peças pode ser perigosa para as pessoas. Utilize apenas acessórios ou peças para os fins indicados.

Se precisar de ajuda para obter mais informações relativos a estes acessórios, entre em contacto com o centro de assistência Makita local.

- Lâmina de aço de alta velocidade
- Conjunto do suporte para afiar
- Afiador da lâmina
- Guia paralela (Régua guia)
- Guia de extensão
- Pedra para afiar
- Conjunto do tubo de saída de aparas
- Chave hexagonal

NOTA:

- Alguns itens da lista podem estar incluídos na embalagem da ferramenta como acessórios padrão. Eles podem variar de país para país.

ENG905-1

Ruído

A característica do nível de ruído A determinado de acordo com EN60745:

Nível de pressão sonora (L_{pA}): 92 dB (A)
 Nível de potência sonora (L_{WA}): 103 dB (A)
 Variabilidade (K): 3 dB (A)

Utilize protectores para os ouvidos

ENG900-1

Vibração

Valor total da vibração (soma vectorial tri-axial) determinado conforme EN60745:

Modo de funcionamento: aplainamento de madeira macia
 Emissão de vibração (a_H): 2,5 m/s²
 Variabilidade (K): 1,5 m/s²

ENG901-1

- O valor da emissão de vibração indicado foi medido de acordo com o método de teste padrão e pode ser utilizado para comparar duas ferramentas.
- O valor da emissão de vibração indicado pode também ser utilizado na avaliação preliminar da exposição.

AVISO:

- A emissão de vibração durante a utilização real da ferramenta eléctrica pode diferir do valor de emissão indicado, dependendo das formas como a ferramenta é utilizada.
- Certifique-se de identificar as medidas de segurança para protecção do operador que sejam baseadas em uma estimativa de exposição em condições reais de utilização (considerando todas as partes do ciclo de operação, tal como quando a ferramenta está desligada e quando está a funcionar em marcha lenta além do tempo de accionamento).

Só para países europeus

Declaração de conformidade CE

Nós, a Makita Corporation, fabricante responsável, declaramos que a(s) seguinte(s) ferramenta(s) Makita:

Designação da ferramenta:

Plaina

Modelos n°/Tipo: 1806B
 são de produção de série e

Em conformidade com as seguintes directivas europeias:

2006/42/EC

E estão fabricados de acordo com as seguintes normas ou documentos normativos:

EN60745

A documentação técnica é mantida pelo nosso representante autorizado na Europa:

Makita International Europe Ltd.

Michigan Drive, Tongwell,

Milton Keynes, Bucks MK15 8JD, Inglaterra

30.1.2009



Tomoyasu Kato
 Director

Makita Corporation
 3-11-8, Sumiyoshi-cho,
 Anjo, Aichi, 446-8502, JAPAN

Illustrationsoversigt

1 Dybdeindstillingsgreb	10 Kutter	18 Vingemøtrik
2 Afbryder	11 Indstillingstrekant	19 Høvljern (A)
3 Låseknop/Startspærre	12 Skruetrækker	20 Høvljern (B)
4 6-kantnøgle	13 Spånudtag europæisk udførsel (rund)	21 Anslagskant (C)
5 Klemskrue	14 Udsugning	22 Anslagskant (D)
6 Justérskrue	15 Tryk ved emnets forkant (start)	23 Slidgrænse
7 Høvljern	16 Tryk ved emnets bagkant (slut)	24 Spånstuds
8 Not i høvljern	17 Knivholder	25 Børsteholderhætte
9 Klemplade		

SPECIFIKATIONER

Model	1806B
Høvlbredde	170 mm
Høvlledybde	2 mm
Omdrejninger (min ⁻¹)	15 000
Længde	529 mm
Vægt	9,0 kg
Sikkerhedsklasse	II/II

- Som følge af vort løbende udviklingsprogram forbeholdes ret til ændring af specifikationer uden varsel.
- Tekniske data kan variere fra land til land.
- Vægt i henhold til EPTA-Procedure 01/2003

ENE001-1

Tilsigtet anvendelse

Denne maskine er beregnet til høvling af træ.

ENF002-2

Strømforsyning

Maskinen må kun tilsluttes en strømforsyning med den samme spænding, som den der er angivet på typeskiltet, og kan kun anvendes med enkeltfaset vekselstrømforsyning. Den er dobbeltisoleret og kan derfor også anvendes fra kontakter uden jordledning.

ENF100-1

For offentlige lavspændingsnet på mellem 220 V og 250 V

Tænd og sluk af elektriske apparater medfører spændingssvingninger. Anvendelse af denne maskine under uheldige lysnetforsyningsforhold kan have negativ indflydelse på driften af andet udstyr. Ved en netimpedans svarende til eller mindre end 0,41 ohm, kan det antages, at der ikke vil være negative påvirkninger.

Stikkontakten, der anvendes til denne maskine, skal være beskyttet med en sikring eller en beskyttelsesafbryder med træg udløsning.

GEA010-1

Almindelige sikkerhedsregler for el-værktøj

⚠ ADVARSEL Læs alle sikkerhedsadvarsler og alle sikkerhedsinstruktioner. Hvis nedenstående advarsler og instruktioner ikke overholdes, kan resultatet blive elektrisk stød, brand og/eller alvorlig personskade.

Gem alle advarsler og instruktioner til fremtidig reference.

SIKKERHEDSADVARSLER FOR HØVL

- 1. Vent til bladet er stoppet, før De lægger maskinen fra Dem.** Et synligt blad kan skære ind i overfladen og være årsag til, at De mister herredømmet over maskinen med alvorlig tilskadekomst til følge.
- 2. Hold kun maskinen i de isolerede gribeblader, da bladet kan komme i kontakt med dens egen ledning.** Skæres der i en strømførende ledning, kan eksponerede metaldele på maskinen blive strømførende og muligvis give operatøren et elektrisk stød.
- 3. Anvend skruetvinger eller en anden praktisk måde at fastholde og støtte arbejdsstykket på en stabil flade.** Hvis De holder arbejdsstykket fast med hånden eller holder det mod kroppen, vil det blive ustabil, hvilket kan føre til, at De mister kontrollen over det.
- 4. Klude, løs beklædning, ledninger, snor og lignende skal holdes borte fra arbejdsstedet.**
- 5. Tjek emnet og fjern søm, skruer og andre fremmedlegemer før arbejdet påbegyndes.**
- 6. Benyt kun skarpe høvljern. Behandl høvljernerne med stor forsigtighed.**
- 7. Sørg for at klæmskruerne er fastspændt før arbejdet påbegyndes.**
- 8. Hold altid godt fast i maskinen med begge hænder.**
- 9. Hold hænderne borte fra roterende dele.**
- 10. Lad maskinen køre i tomgang før arbejdet begyndes. Vær opmærksom på evt. vibrationer eller slag, der kan være tegn på forkert monterende høvljern.**
- 11. Sørg for at høvljernerne ikke er i kontakt med emnet når maskinen tændes.**
- 12. Begynd først arbejdet når maskinen har nået fulde omdrejninger.**
- 13. Sluk altid maskinen, træk netstikket ud og vent til maskine er helt stoppet før der foretages justeringer på maskinen.**
- 14. Stik aldrig fingrene ind i spånudtaget. Udtaget kan blive tilstoppet ved høvling i fugtigt træ. Anvend en pind til at rense udtaget for spåner.**
- 15. Lad aldrig maskinen køre uden opsyn. Start kun maskinen når den holdes med begge hænder.**
- 16. Udskift altid høvljern og trykplader parvis for at undgå ubalance, der resulterer i vibrationer, der kan forkorte maskinens levetid.**
- 17. Anvend kun de Makita høvljern, der er angivet i denne brugsanvisning.**

GEB010-4

18. Anvend altid en korrekt støvmaske/respirator, som passer til det materiale og den arbejds metode, De anvender.

GEM DISSE FORSKRIFTER.

ADVARSEL:

Lad IKKE bekvemmelighed eller kendskab til produktet (opnået gennem gentagen anvendelse) erstatte nøje overholdelse af sikkerhedsreglerne for det pågældende produkt. MISBRUG eller forsømmelse af at følge de i denne brugsvejledning givne sikkerhedsforskrifter kan føre til, at De kommer alvorligt til skade.

FUNKTIONSBESKRIVELSER

FORSIGTIG:

- Kontrollér altid, at maskinen er slået fra, og netstikket er taget ud af stikkontakten, før De justerer eller kontrollerer denne maskines funktioner.

Dybdeindstilling (Fig. 1)

Dybdeindstilling foretages ved at dreje på dybdeindstillingsgrebet forrest på maskinen.

Betjening af afbryder

FORSIGTIG:

- Før maskinen tilsluttes, skal De altid kontrollere, at afbryderen fungerer korrekt og returnerer til "OFF"-positionen, når den slippes.

Maskine uden startspærre og låseknap (Fig. 2)

Tryk på afbryderen for at starte, slip afbryderen for at stoppe.

Maskine med låseknap (Fig. 3)

Tryk på afbryderen for at starte, slip afbryderen for at stoppe.

Ved vedvarende arbejde trykkes først på afbryderen, dernæst på låseknappen.

For at stoppe fra denne låste position trykkes kort på afbryderen, hvorefter den slippes.

Maskine med startspærre (Fig. 3)

For at undgå utilsigtet start er denne model udstyret med en startspærre.

For at starte trykkes der først på startspærreknappen og derefter på afbryderen mens startspærreknappen holdes inde. For at stoppe slippes afbryderen.

SAMLING

FORSIGTIG:

- Kontrollér altid, at maskinen er slået fra og netstikket er taget ud af stikkontakten, før De udfører noget arbejde på maskinen.

Montering og afmontering af høvljern

(Fig. 4, 5 og 6)

FORSIGTIG:

- Stram klemskruerne omhyggeligt til, når der sættes høvljern i maskinen. En løs klemskrue kan være farlig. Kontrollér altid, at skrueene er forsvarligt strammet til.
- Omgå høvljernet med stor forsigtighed. Beryt handsker eller klude til at beskytte Deres fingre og hænder, når De monterer eller afmonterer høvljernet.
- Anvend kun den unbrakonøgle, der leveres af Makita, til montering eller afmontering af høvljernet. Overholdes dette ikke, kan det resultere i for kraftig tilspænding eller utilstrækkelig tilspænding af klemskruerne. Det kan medføre tilskadekomst.

For at afmontere høvljernene skrues klemskruerne af med det medfølgende værktøj. Klempladerne tages af sammen med høvljernene.

Kutteren, høvljernet og klemplader rengøres grundigt. Brug altid høvljernet med samme størrelse og vægt. Ubalance medfører vibrationer og påvirker høvlekvantiteten og maskinens levetid.

Der er to justérskrue for hvert høvljernet. Ved montering af høvljernet skal noten i høvljernet passe over justérskruernes hoveder. Læg klempladen på og spænd klemskrueene løs fast.

Drej kutteren så høvljernet æg står midt mellem forreste og bageste høvlsål.

Sæt kanten af indstillingstrekanten fladt på den bageste høvlsål og skyd den hen over knivæggen. Drej de to indstillingsskrue for at indstille høvljernet overstand.

Indstillingen af høvljernet bør være sådan, at fremspringet er ens i hele længden. Således bør indstillingstrekanten være på linje med hele bredden af høvljernet æg.

Efter indstilling af begge høvljern, strammes klemskrueene ensartet og skiftevis med 6-kantnøglen.

Stram justérskrueene helt, når klemskrueene er strammet.

Korrekt indstilling af høvljernen

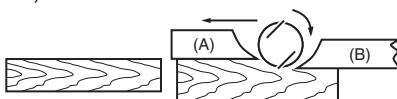
Fejlmonterede høvljerner medfører oprifter og kutterslag. Ved korrekt monterede høvljerner skal knivæggen være absolut parallel med den bageste høvlsål.

Følgende eksempler viser nogle resultater af korrekt og forkert monterede høvljerner.

(A) Forreste høvlsål (mobil sko)

(B) Bageste høvlsål (stationær sko)

Korrekt indstilling



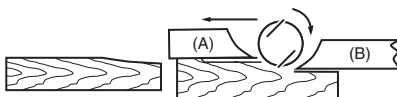
Selvom dette billede (set fra siden) ikke viser det, er høvljernerne monteret absolut parallelt med bageste høvlsål.

Kutterslag



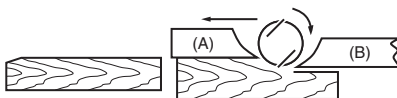
Årsag: Et eller begge høvljerner er ikke parallel med den bageste høvlsål.

Hulning ved forkant



Årsag: Et eller begge høvljerner er ikke langt nok fremme i forhold til bageste høvlsål.

Hulning ved bagkant



Årsag: Et eller begge høvljerner er for langt fremme i forhold til bageste høvlsål.

Tilslutning af udsugning

Maskiner med rund udsugningsstuds (Fig. 7)

Hvis De ønsker at udføre en ren høvling, kan De slutte en Makita støvsuger til maskinen. Monter mundstykket på maskinen ved hjælp af skrueerne. Slut derefter slangen på støvsugeren til mundstykket som vist på illustrationerne.

Maskiner med andet (ikke rund) spånudtag (Fig. 8)

For at tilslutte en Makita udsugning skal der bruges en udsugningsstuds eller passende adapter. Spørg Deres Makita-forhandler.

ANVENDELSE

Høvling (Fig. 9)

Sæt først den forreste høvlsål på emnet, så høvljernerne ikke berører emnet eller noget andet. Start maskinen og vent til den er nået op på fulde omdrejninger. Skub høvlen langsomt fremad, mens der i starten ved emnets forkant trykkes ned på den forreste høvlsål, senere ved emnets bagkant flyttes trykket til bageste høvlsål. Høvlingen kan gøres lettere ved at fastgøre emnet skråt, så der høvles nedad. Overfladekvaliteten afhænger af fremføringshastigheden og spåndybden.

Fremføringshastigheden og spåndybden bestemmer resultatet. Disse to størrelser skal afpasses så spåndækstet ikke tilstoppes af spåner. Ved grov høvling kan spåndybden øges. Ved fin høvling skal fremføringshastigheden og spåndybden mindskes.

VEDLIGEHOLDELSE

FORSIGTIG:

- Før der udføres noget arbejde på selve maskinen skal De sikre Dem, at maskinen er slukket og netstikket er trukket ud.
- Anvend aldrig benzin, rensebenzin, fortynder, alkohol og lignende. Resultatet kan blive misfarvning, deformation eller revner.

Slibning af HSS-høvljernen (Fig. 10, 11 og 12)

Hold altid høvljernerne skarpe for at opnå det bedste mulige resultat. Brug knivholderen, når der fjernes hak i æggen, eller når æggen skal slibes skarp.

Løsn de to vingemøtrikker på knivholderen og sæt høvljernerne (A) og (B) ind, så de ligger imod anslagskanterne (C) og (D). Spænd vingemøtrikkerne.

Nedsænk slibestenen i vand to til tre minutter før høvljernerne skal slibes. Hold klingeholderen, så begge høvljerner er i samtidig kontakt med slibestenen, således at de slibes samtidigt og i samme vinkel.

Udskiftning af kul (Fig. 13, 14 og 15)

Udtag og efterse kullene med regelmæssige mellemrum. Udskift kullene, når de er slidt ned til slidmarkeringen. Hold kullene rene og i stand til frit at glide ind i holderne. Begge kul skal udskiftes parvist samtidigt. Anvend kun identiske kulbørster.

Anvend en skruetrækker til at fjerne spåndækslet.

Benyt en skruetrækker til at afmontere kulholderdækslerne.

Tag de slidte kulbørster ud, sæt de nye i, og fastgør kulholderdækslerne.

For at opretholde produktets SIKKERHED og PÅLIDELIGHED bør reparation, vedligeholdelse og justering kun udføres af et Makita Servicecenter med anvendelse af original Makita udskiftingsdele.

FORSIGTIG:

- Det følgende tilbehør og ekstraudstyr er anbefalet til brug med Deres Makita maskine, der er beskrevet i denne brugsanvisning. Anvendelse af andet tilbehør eller ekstraudstyr kan udgøre en risiko for personskade. Anvend kun tilbehør og ekstraudstyr til det beskrevne formål.

Hvis De har behov for yderligere detaljer om dette tilbehør, bedes De kontakte Deres lokale Makita Servicecenter.

- Højhastigheds stål-høvler
- Knivholderenhed
- Høvlermåler
- Parallelslag (guideanslag)
- Forlængeranslag
- Smøresten
- Spånstuds
- 6-kantnøgle

BEMÆRK:

- Nogle ting på denne liste kan være inkluderet i værktøjspakken som standardtilbehør. Det kan være forskellige fra land til land.

ENG905-1

Lyd

Det typiske A-vægtede støjniveau bestemt i overensstemmelse med EN60745:

Lydtryksniveau (L_{pA}): 92 dB (A)
 Lydeffektniveau: (L_{WA}): 103 dB (A)
 Usikkerhed (K): 3 dB (A)

Bær høreværn

ENG900-1

Vibration

Vibrations totalværdi (tre-aksial vektorsum) bestemt i overensstemmelse med EN60745:

Arbejdsindstilling: høvling af blødt træ
 Vibrationsafgivelse (a_h): 2,5 m/s²
 Usikkerhed (K): 1,5 m/s²

ENG901-1

- Den angivne vibrationsemmissionsværdi er blevet målt i overensstemmelse med standardtestmetoden og kan anvendes til at sammenligne en maskine med en anden.
- Den angivne vibrationsemmissionsværdi kan også anvendes i en preliminær eksponeringsvurdering.

ADVARSEL:

- Vibrationsemissionen under den faktiske anvendelse af maskinen kan være forskellig fra den erklærede emissionsværdi, afhængigt af den måde, hvorpå maskinen anvendes.
- Sørg for at identificere de sikkerhedsforskrifter til beskyttelse af operatøren, som er baseret på en vurdering af eksponering under de faktiske brugsforhold (med hensyntagen til alle dele i brugscyklen, som f.eks. de gange, hvor maskinen er slukket og når den kører i tomgang i tilgift til afbrydertiden).

Kun for lande i Europa**EU-konformitetserklæring**

Vi, Makita Corporation, erklærer, som den ansvarlige fabrikant, at den (de) følgende Makita maskine(r):

Maskinens betegnelse:

Maskinhøvl

Model nr./Type: 1806B

er af serieproduktion og

opfylder betingelserne i de følgende EU-direktiver:

2006/42/EC

og er fremstillet i overensstemmelse med de følgende standarder eller standardiserede dokumenter:

EN60745

Den tekniske dokumentation opbevares af vores autoriserede repræsentant i Europa, som er:

Makita International Europe Ltd.

Michigan Drive, Tongwell,

Milton Keynes, Bucks MK15 8JD, England

30.1.2009



Tomoyasu Kato
Direktør


Makita Corporation
 3-11-8, Sumiyoshi-cho,
 Anjo, Aichi, 446-8502, JAPAN

Περιγραφή γενικής άποψης

1	Πόμολο	9	Κάλυμμα τυμπάνου	18	Βίδα πεταλούδα
2	Σκανδάλη διακόπτης	10	Τύμπανο	19	Λάμα (Α)
3	Κουμπί ασφάλισης/Κουμπί απασφάλισης	11	Τριγωνικός κανόνας	20	Λάμα (Β)
4	Εξαγ. κλειδί	12	Κατσαβίδι	21	Πλευρά (C)
5	Μπουλόνι	13	Στόμιο	22	Πλευρά (D)
6	Βίδα ρύθμισης	14	Ηλεκτρική σκούπα	23	Σημάδι ορίου
7	Λάμα πλάνης	15	Αρχή	24	Κάλυμμα ροκανιδιών
8	Εγκοπή στη λεπίδα	16	Τέλος	25	Καπάκι θήκης καρβουνακι
		17	Θήκη ακονισμού		

ΤΕΧΝΙΚΑ ΧΑΡΑΚΤΗΡΙΣΤΙΚΑ

GEA010-1

Μοντέλο	1806B
Πλάτος πλάνισης	170 χιλ
Βάθος πλάνισης	2 χιλ
Ταχύτητα χωρίς φορτίο (min ⁻¹)	15.000
Ολικό μήκος	529 χιλ
Καθαρό βάρος	9,0 Χγρ
Κατηγορία ασφάλειας.....	 II

- Λόγω του συνεχιζόμενου προγράμματος έρευνας και ανάπτυξης, οι παρούσες προδιαγραφές υπόκεινται σε αλλαγή χωρίς προειδοποίηση.
- Οι προδιαγραφές μπορεί να διαφέρουν από χώρα σε χώρα.
- Βάρος σύμφωνα με διαδικασία EPTA 01/2003

Προοριζόμενη χρήση

ENE001-1

Αυτό το εργαλείο προορίζεται για πλάνισμα ξύλου.

Ρευματοδότηση

ENF002-2

Το εργαλείο πρέπει να συνδέεται μόνο σε ηλεκτρική παροχή της ίδιας τάσης με αυτήν που αναγράφεται στην πινακίδα ονομαστικών τιμών και μπορεί να λειτουργήσει μόνο με εναλλασσόμενο μονοφασικό ρεύμα. Τα εργαλεία αυτά έχουν διπλή μόνωση και κατά συνέπεια, μπορούν να συνδεθούν σε ακροδέκτες χωρίς σύρμα γείωσης.

Για δημόσια συστήματα διανομής ηλεκτρικού ρεύματος χαμηλής τάσεως μεταξύ 220 V και 250 V

ENF100-1

Η αλλαγή λειτουργιών ηλεκτρικής συσκευής προκαλεί διακυμάνσεις τάσεως. Η λειτουργία αυτής της συσκευής κάτω από άσχημες συνθήκες παροχής ηλεκτρικού ρεύματος μπορεί να έχει ενάντια αποτελέσματα στη λειτουργία άλλου εξοπλισμού. Με μία σύνθετη αντίσταση ίση ή μικρότερη από 0,41 Ωμ μπορεί να θεωρηθεί πιθανό ότι δεν θα προκύψουν αρνητικά αποτελέσματα.

Η υποδοχή παροχής ρεύματος για την συσκευή αυτή πρέπει να προστατεύεται από μία ασφάλεια ή ένα προστατευτικό κύκλωμα διακόπτη που να έχει αργά χαρακτηριστικά αποσύνδεσης.

Γενικές προειδοποιήσεις ασφαλείας για το ηλεκτρικό εργαλείο

⚠️ ΠΡΟΕΙΔΟΠΟΙΗΣΗ Διαβάστε όλες τις προειδοποιήσεις ασφαλείας και όλες τις οδηγίες. Η μη τήρηση των προειδοποιήσεων και οδηγιών ενδέχεται να καταλήξει σε ηλεκτροπληξία, πυρκαγιά ή/και σοβαρό τραυματισμό.

Φυλάξτε όλες τις προειδοποιήσεις και τις οδηγίες για μελλοντική παραπομπή.

GEB010-4

ΠΡΟΕΙΔΟΠΟΙΗΣΕΙΣ ΑΣΦΑΛΕΙΑΣ ΠΛΑΝΗΣ

1. Περιμένετε να σταματήσει το κοπίδι πριν τοποθετήσετε το εργαλείο κάτω. Ένα εκτεθειμένο κοπίδι μπορεί να πιαστεί στην επιφάνεια με αποτέλεσμα απώλεια ελέγχου και σοβαρό τραυματισμό.
2. Κρατήστε το ηλεκτρικό εργαλείο μόνο από τις μονωμένες επιφάνειες λαβής, επειδή ο κόπτης είναι δυνατό να έρθει σε επαφή με το ίδιο του το καλώδιο. Σε περίπτωση που κοπεί ένα ηλεκτροφόρο καλώδιο, ενδέχεται τα εκτεθειμένα μεταλλικά εξαρτήματα του ηλεκτρικού εργαλείου να καταστούν τα ίδια ηλεκτροφόρα και να προκαλέσουν ηλεκτροπληξία στο χειριστή.
3. Χρησιμοποιείτε σφιγκτήρες ή κάποιο άλλο πρακτικό μέσο για να ασφαλίσετε και υποστηρίξετε το τεμάχιο εργασίας σε μία σταθερή βάση. Το κράτημα του τεμαχίου εργασίας με το χέρι ή με το σώμα το αφήνει ασταθές και μπορεί να οδηγήσει σε απώλεια ελέγχου.
4. Κουρέλια, πανιά, καλώδια, νήματα και παρόμοια υλικά δεν πρέπει να αφήνονται στην περιοχή εργασίας.
5. Αποφύγετε τη κοπή καρφιών. Ελέγξτε και απομακρύνετε όλα τα καρφιά από την περιοχή εργασίας.
6. Χρησιμοποιείτε μόνο κοφτερές λάμες. Χειρίζεστε τις λάμες πολύ προσεχτικά.
7. Βεβαιώστε ότι τα μπουλόνια τοποθέτησης της λάμας είναι στερεά σφιγμένα πριν τη λειτουργία.
8. Κρατάτε το εργαλείο σταθερά και με τα δύο χέρια.
9. Κρατάτε τα χέρια σας μακριά από τα περιστρεφόμενα μέρη.

10. Πριν χρησιμοποιήσετε το μηχάνημα σε ένα αντικείμενο εργασίας, αφήστε το να λειτουργήσει για λίγο. Παρακολουθείστε τις δονήσεις ή ακανόνιστες ταλαντώσεις που μπορεί να προδώσουν κακή τοποθέτηση ή κακή εξισορρόπηση λάμας.
11. Βεβαιωθείτε ότι λάμα δεν βρίσκεται σε επαφή με το αντικείμενο εργασίας πριν ανοίξετε το διακόπτη.
12. Περιμένετε μέχρι η λάμα να αποκτήσει πλήρη ταχύτητα πριν από τη κοπή.
13. Πάντοτε σβήνετε το μηχάνημα και περιμένετε μέχρι οι λεπίδες σταματήσουν πλήρως για οποιαδήποτε ρύθμιση.
14. Ποτέ μη βάζετε το δακτύλο σας στον αγωγό για τα ροκανίδια. Ο αγωγός μπορεί να βουλώσει όταν κόβετε υγρό ξύλο. Καθαρίστε τα ροκανίδια με ένα μπαστούνι.
15. Μην αφήνετε το μηχάνημα σε λειτουργία. Βάζετε σε λειτουργία το μηχάνημα μόνο όταν το κρατάτε στα χέρια.
16. Πάντοτε αλλάζετε ταυτόχρονα και τις δύο λάμες ή τα καλύμματα στο τύμπανο, διαφορετικά η προκαλούμενη ανισορροπία θα γίνει αιτία δονήσεων και θα μειώσει τη ζωή του μηχανήματος.
17. Χρησιμοποιήστε μόνο λάμες Μάκιτα, όπως αυτό καθορίζετε στις παρούσες οδηγίες χρήσης.
18. Πάντοτε χρησιμοποιείτε τη σωστή προσωπίδα/ αναπνευστήρα σε σχέση με το υλικό και την εφαρμογή στην οποία εργάζεστε.

ΦΥΛΑΞΕΤΕ ΑΥΤΕΣ ΤΙΣ ΟΔΗΓΙΕΣ.

ΠΡΟΕΙΔΟΠΟΙΗΣΗ:

ΜΗΝ επιτρέψετε το βαθμό άνεσης ή εξοικείωσης με το προϊόν (λόγω επανειλημμένης χρήσης) να αντικαταστήσει την αυστηρή τήρηση των κανόνων ασφαλείας του παρόντος εργαλείου. **ΚΑΚΗ ΧΡΗΣΗ** ή αμέλεια να ακολουθήσετε τους κανόνες ασφαλείας που διατυπώνονται σ' αυτό το εγχειρίδιο οδηγιών μπορεί να προκαλέσει σοβαρό προσωπικό τραυματισμό.

ΠΕΡΙΓΡΑΦΗ ΛΕΙΤΟΥΡΓΙΑΣ

ΠΡΟΣΟΧΗ:

- Πάντοτε βεβαιώνετε ότι το εργαλείο είναι σβηστό και αποσυνδεδεμένο από το ρεύμα πριν από ρύθμιση ή έλεγχο κάποιας λειτουργίας στο εργαλείο.

Ρύθμιση βάθους κοπής (Εικ. 1)

Βάθος κοπής μπορεί να ρυθμιστεί απλώς γυρίζοντας το πόμολο στο εμπρόσθιο μέρος του μηχανήματος.

Λειτουργία διακόπτη

ΠΡΟΣΟΧΗ:

- Πριν συνδέσετε το μηχάνημα στο ρεύμα, πάντοτε ελέγχετε να δείτε ότι η σκανδάλη διακόπτης ενεργοποιεί κανονικά και επιστρέφει στη θέση "OFF" όταν ελευθερώνεται.

Για μηχάνημα χωρίς κουμπί ασφάλισης και κουμπί απασφάλισης (Εικ. 2)

Για να ξεκινήσει το μηχάνημα, απλώς τραβήχτε τη σκανδάλη. Για να σταματήσει αφήστε τη σκανδάλη.

Για μηχάνημα με κουμπί ασφάλισης (Εικ. 3)

Για να ενεργοποιήσετε το εργαλείο, απλά τραβήξτε τη σκανδάλη ενεργοποίησης. Για διακοπή της λειτουργίας, ελευθερώστε τη σκανδάλη ενεργοποίησης.

Για συνεχή λειτουργία, τραβήξτε τη σκανδάλη ενεργοποίησης και στη συνέχεια πιέστε προς τα μέσα το κουμπί ασφάλισης.

Για να απενεργοποιήσετε το εργαλείο από τη θέση ασφάλισης, τραβήξτε πλήρως τη σκανδάλη ενεργοποίησης, στη συνέχεια ελευθερώστε την.

Για μηχάνημα με κουμπί απασφάλισης (Εικ. 3)

Για να προληφθεί τυχαίο τράβηγμα της σκανδάλης, ένα κουμπί απασφάλισης έχει προβλεφθεί.

Για να ξεκινήσει το μηχάνημα, πατήστε το κουμπί απασφάλισης και τραβήχτε τη σκανδάλη. Για να σταματήσει αφήστε τη σκανδάλη.

ΣΥΝΑΡΜΟΛΟΓΗΣΗ

ΠΡΟΣΟΧΗ:

- Πάντοτε βεβαιώνετε ότι το εργαλείο είναι σβηστό και αποσυνδεδεμένο πριν εκτελέσετε οποιαδήποτε εργασία στο εργαλείο.

Αφαίρεση ή τοποθέτηση λαμών πλάνισματος (Εικ. 4, 5 και 6)

ΠΡΟΣΟΧΗ:

- Σφίχτε τα μπουλόνια εγκατάστασης λαμών προσεκτικά όταν προσαρμόζετε τις λάμες στο εργαλείο. Ένα χαλαρό μπουλόνι εγκατάστασης μπορεί να είναι επικίνδυνο. Πάντοτε ελέγχετε να δείτε ότι είναι σφιγμένα με ασφάλεια.
- Χειρίζετε τις λάμες πολύ προσεκτικά. Χρησιμοποιείτε γάντια ή κουρέλια για να προστατεύετε τα δάχτυλά σας ή τα χέρια σας όταν αφαιρείτε ή τοποθετείτε τις λάμες.
- Χρησιμοποιείτε μόνο το παρεχόμενο κλειδί της Μάκιτα για να αφαιρέσετε ή τοποθετήσετε τις λάμες. Αμέλεια να το κάνετε μπορεί να έχει ως αποτέλεσμα υπερβολικό ή ανεπαρκές σφίξιμο των μπουλονιών εγκατάστασης. Αυτό θα μπορούσε να προκαλέσει τραυματισμό.

Για να αφαιρέσετε τις λάμες στο τύμπανο, ξεβιδώστε τις πέντε βίδες εγκατάστασης με το εξαγ. κλειδί. Το κάλυμμα του τυμπάνου βγαίνει έξω μαζί με τις λάμες.

Για να τοποθετήσετε τις λάμες, πρώτα καθαρίστε όλα τα τεμαχίδια ξένων σωμάτων που είναι κολλημένα στο τύμπανο ή στις λάμες. Χρησιμοποιείτε λάμες των ίδιων διαστάσεων και βάρους, αλλιώς θα προκληθούν ταλαντώσεις δονήσεις τυμπάνου, με αποτέλεσμα κακή λειτουργία πλάνισης και τελικά βλάβη του μηχανήματος. Υπάρχουν δύο βίδες ρύθμισης για κάθε λάμα. Όταν τοποθετείτε τη λάμα, η εγκοπή στη λάμα πρέπει να εφαρμόζει πάνω από το κεφάλι της βίδας ρύθμισης. Μετά βάλτε το κάλυμμα του τυμπάνου και σφίχτε τα πέντε μπουλόνια μόνο με το χέρι.

Γυρίστε το τύμπανο μέχρι η άκρη της λάμας να έρθει ακριβώς στο μέσο μεταξύ εμπρός και πίσω βάσης. Τοποθετήστε τον τριγωνικό κανόνα επίπεδο στην πίσω βάση και σύρετέ το επάνω και απέναντι από την άκρη της λάμας. Γυρίστε τις δύο βίδες ρύθμισης να ρυθμίσετε την προεξοχή της λάμας. Η ρύθμιση της λάμας πρέπει να γίνει έτσι ώστε η προεξοχή να είναι ομοιόμορφη σε όλο το μήκος. Έτσι ο τριγωνικός κανόνας πρέπει να είναι ευθυγραμμισμένος με όλο το μήκος της άκρης της λάμας. Μετά τη ρύθμιση και των δύο λεπίδων, σφίχτε όλα τα μπουλόνια ισοδύναμα και εναλλακτικά με το εξαγ. κλειδί. Αφού σφίξετε τα μπουλόνια, στερεώστε καλά τις βίδες ρύθμισης.

Για τη σωστή ρύθμιση λάμας πλάνης

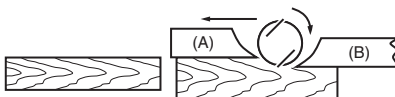
Η επιφάνεια πλάνησης θα καταλήξει τραχειά και ανώμαλη, εκτός αν η λάμα ρυθμιστεί κατάλληλα και στερεά. Η λάμα πρέπει να τοποθετηθεί έτσι ώστε η κόψη να είναι απόλυτα επίπεδη, δηλαδή, παράλληλη προς την επιφάνεια της πίσω βάσης.

Παρακάτω είναι μερικά παραδείγματα σωστών και μη σωστών ρυθμίσεων.

(A) Εμπρόσθια βάση (Κινητό πέλμα)

(B) Πίσω βάση (Στατικό πέλμα)

Σωστή ρύθμιση



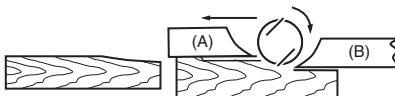
Αν και αυτή η πλευρική άποψη δεν μπορεί να το δείξει, οι κόψεις των λαμών είναι απόλυτα παράλληλες προς την επιφάνεια της πίσω βάσης.

Χαραγές στην επιφάνεια



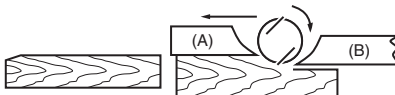
Αιτία: Μια ή και οι δύο λάμες δεν έχουν κόψη παράλληλη προς τη γραμμή της πίσω βάσης.

Κοιλωμα στην αρχή



Αιτία: Μια ή και οι δύο κόψεις λαμών δεν προεξέχουν αρκετά σε σχέση με τη γραμμή της πίσω βάσης.

Κοιλωμα στο τέλος



Αιτία: Μια ή και οι δύο κόψεις λαμών προεξέχουν πάρα πολύ σε σχέση με τη γραμμή της πίσω βάσης.

Σύνδεση σκούπας απορρόφησης

Για ευρωπαϊκές χώρες και περιοχές (Εικ. 7)

Όταν επιθυμείτε να εκτελέσετε καθαρή λειτουργία πλάνισματος, συνδέστε μια ηλεκτρική σκούπα Μάκιτα στο εργαλείο σας. Τοποθετήστε το στόμιο στο εργαλείο χρησιμοποιώντας τις βίδες. Στη συνέχεια συνδέστε τον εύκαμπτο σωλήνα της ηλεκτρικής σκούπας στο στόμιο, όπως υποδεικνύεται στην εικόνα.

Για άλλες χώρες και περιοχές (Εικ. 8)

Ένα στόμιο και ένας σύνδεσμος (προαιρετικά ανταλλακτικά) είναι απαραίτητα για να συνδέσετε μια σκούπα απορρόφησης στο μηχανήμα σας. Για το στόμιο και τον σύνδεσμο, συμβουλευτείτε ένα κατάλογο Μάκιτα ή τον αντιπρόσωπο.

ΛΕΙΤΟΥΡΓΙΑ

Λειτουργία πλάνισης (Εικ. 9)

Πρώτα, ακουμπήστε την εμπρόσθια βάση της μηχανής οριζόντια επάνω στο αντικείμενο εργασίας χωρίς να βρίσκονται οι λάμες σε επαφή. Ανάψτε το και περιμένετε να αποκτήσει πλήρη ταχύτητα. Μετά κινήστε το μηχανήμα απαλά προς τα εμπρός. Εφαρμόστε πίεση στο εμπρόσθιο μέρος του μηχανήματος στην αρχή της πλάνισης και στο πίσω μέρος, στο τέλος της πλάνισης. Η πλάνιση θα είναι ευκολότερη αν δώσετε κλίση στο αντικείμενο εργασίας σε ακίνητη θέση, έτσι ώστε η πλάνιση να γίνεται προς τα κάτω.

Η ταχύτητα και το βάθος κοπής προσδιορίζουν το είδος φινιρίσματος. Η ηλεκτρική πλάνη κόβει σε μια ταχύτητα που δεν θα έχει σαν αποτέλεσμα βούλωμα από τα ροκανίδια. Για χοντρό κόψιμο, το βάθος κοπής μπορεί να αυξηθεί, ενώ για ένα καλό φινιρίσμα θα πρέπει να μειώσετε το βάθος και να προωθήτε το μηχανήμα πιο αργά.

ΣΥΝΤΗΡΗΣΗ

ΠΡΟΣΟΧΗ:

- Πριν την εκτέλεση εργασιών με τη μηχανή σβήνομε πάντα τη μηχανή και βγάζουμε τη πρίζα.
- Μην χρησιμοποιείτε ποτέ βενζίνη, πετρελαϊκό αιθέρα, διαλυτικό, αλκοόλη ή παρόμοιες ουσίες. Ενδέχεται να προκληθεί αποχρωματισμός παραμόρφωση ή ρωγμές.

Ακονισμός λάμων πλάνης (Εικ. 10, 11 και 12)

Πάντοτε κρατάτε τις λάμες σας ακονισμένες για την καλύτερη δυνατή απόδοση. Χρησιμοποιείτε την ακονιστική θήκη για να αφαιρέσετε χαραγές και για να πετύχετε μια τέλεια κόψη.

Πρώτα, λασκάρете τις δύο βίδες πεταλούδες στη θήκη και βάλτε τις λάμες (Α) και (Β), έτσι ώστε να εφάπτονται στις πλευρές (C) και (D). Μετά σφίχτε τις βίδες πεταλούδες.

Βυθίστε την ακονόπετρα στο νερό για 2 ή 3 λεπτά πριν το ακόνισμα. Κρατάτε τη θήκη έτσι ώστε και οι δύο λάμες να είναι σε επαφή με την ακονόπετρα για ταυτόχρονο ακόνισμα υπό την ίδια γωνία.

Αντικατάσταση καρβουνάκια (Εικ. 13, 14 και 15)

Αφαιρείτε και ελέγχετε τις ψήκτρες άνθρακα τακτικά. Αντικαθιστάτε τις όταν φθαρούν μέχρι το σημάδι ορίου. Κρατάτε τις ψήκτρες άνθρακα καθαρές και ελεύθερες να γλιστρούν στις θήκες. Και οι δύο ψήκτρες άνθρακα πρέπει να αντικαθίστανται ταυτόχρονα. Χρησιμοποιείτε μόνο ταυτόσημες ψήκτρες άνθρακα.

Χρησιμοποιείτε ένα κατασβίδι για να αφαιρέσετε το κάλυμμα του τσιπ.

Χρησιμοποιείτε ένα κατασβίδι για να αφαιρείτε τα καπακία της θήκης ψήκτρας.

Βγάλτε τις φθαρμένες ψήκτρες άνθρακα, βάλτε τις νέες και ασφαλίστε τα καπάκια των θηκών των ψηκτρών.

Για την διατήρηση της ΑΣΦΑΛΕΙΑΣ και ΑΞΙΟΠΙΣΤΙΑΣ του προϊόντος, επισκευές, οποιαδήποτε άλλη συντήρηση ή ρύθμιση πρέπει να εκτελούνται από τα Εξουσιοδοτημένα Κέντρα Εξυπηρέτησης της Μάκιτα, με χρήση πάντοτε ανταλλακτικών Μάκιτα.

ΠΡΟΑΙΡΕΤΙΚΑ ΕΞΑΡΤΗΜΑΤΑ

ΠΡΟΣΟΧΗ:

- Αυτά τα παρελκόμενα ή προσαρτήματα συνιστώνται για χρήση με το εργαλείο της Μάκιτα που περιγράφεται στο παρόν εγχειρίδιο. Η χρήση οποιουδήποτε άλλου παρελκόμενου ή προσαρτήματος ενέχει κίνδυνο τραυματισμού ατόμων. Το παρελκόμενο ή προσάρτημα να χρησιμοποιείται μόνο για την προοριζόμενη χρήση του.

Εάν χρειάζεστε βοήθεια ή περισσότερες λεπτομέρειες σε σχέση με αυτά τα ανταλλακτικά, ρωτήστε το τοπικό σας κέντρο εξυπηρέτησης της Μάκιτα.

- Λάμα πλάνης από ατσάλι υψηλής ταχύτητας
- Σύνολο θήκης ακονίσματος
- Μετρητής λάμας
- Οδηγό ακμής (Οδηγός)
- Σύνολο οδηγού επέκτασης
- Πέτρα ακονίσματος
- Σύνολο στομίου
- Εξαγ. κλειδί

ΠΑΡΑΤΗΡΗΣΗ:

- Μερικά στοιχεία στη λίστα μπορεί να συμπεριλαμβάνονται στη συσκευασία εργαλείου ως στάνταρ εξαρτήματα. Μπορεί να διαφέρουν ανάλογα με τη χώρα.

ENG905-1

Θόρυβος

Το τυπικό Α επίπεδο μετρημένου θορύβου καθορίζεται σύμφωνα με το EN60745:

Πίεση ήχου (L_{pA}): 92 dB(A)

Επίπεδο δύναμης ήχου (L_{WA}): 103 dB (A)

Αβεβαιότητα (K): 3 dB (A)

Φοράτε ωτοασπίδες

ENG900-1

Κραδασμός

Η ολική τιμή δόνησης (άθροισμα τρι-αξονικού διανύσματος) καθορίζεται σύμφωνα με το EN60745:

Είδος εργασίας: πλάνισμα μαλακού ξύλου

Εκπομπή δόνησης (a_h): 2,5 m/s²

Αβεβαιότητα (K): 1,5 m/s²

ENG901-1

- Η δηλωμένη τιμή εκπομπής κραδασμών έχει μετρηθεί σύμφωνα με την πρότυπη μέθοδο δοκιμής και μπορεί να χρησιμοποιηθεί για τη σύγκριση ενός εργαλείου με άλλο.
- Η δηλωμένη τιμή εκπομπής κραδασμών μπορεί να χρησιμοποιηθεί και στην προκαταρκτική αξιολόγηση έκθεσης.

ΠΡΟΕΙΔΟΠΟΙΗΣΗ:

- Η εκπομπή κραδασμών κατά τη χρήση του ηλεκτρικού εργαλείου σε πραγματικές συνθήκες μπορεί να διαφέρει από τη δηλωμένη τιμή εκπομπής ανάλογα με τον τρόπο χρήσης του εργαλείου.
- Φροντίστε να λάβετε τα κατάλληλα μέτρα προστασίας του χειριστή βάσει υπολογισμού της έκθεσης σε πραγματικές συνθήκες χρήσης (λαμβάνοντας υπόψη όλες τις συνιστώσες του κύκλου λειτουργίας όπως τους χρόνους που το εργαλείο είναι εκτός λειτουργίας και όταν βρίσκεται σε αδρανή λειτουργία πέραν του χρόνου ενεργοποίησης).

Μόνο για χώρες της Ευρώπης

Δήλωση Συμμόρφωσης ΕΚ

Η Makita Corporation, ως ο υπεύθυνος κατασκευαστής, δηλώνει ότι το/τα ακόλουθο(α) μηχάνημα(τα) της Makita:

Χαρακτηρισμός μηχανήματος:

Ηλεκτρική πλάνη

Αρ. μοντέλου/ Τύπος: 1806B

είναι εν σειρά παραγωγή και

συμμορφώνονται με τις ακόλουθες Ευρωπαϊκές Οδηγίες:

2006/42/ΕΚ

και κατασκευάζονται σύμφωνα με τα ακόλουθα πρότυπα ή έγγραφα τυποποίησης:

EN60745

Η τεχνική τεκμηρίωση φυλάσσεται από τον εξουσιοδοτημένο εκπρόσωπό μας στην Ευρώπη, δηλαδή τη

Makita International Europe Ltd.

Michigan Drive, Tongwell,

Milton Keynes, Bucks MK15 8JD, England (Αγγλία)

30.1.2009



Tomoyasu Kato
Διευθυντής

Makita Corporation
3-11-8, Sumiyoshi-cho,
Anjo, Aichi, 446-8502, JAPAN

Makita Corporation
Anjo, Aichi, Japan