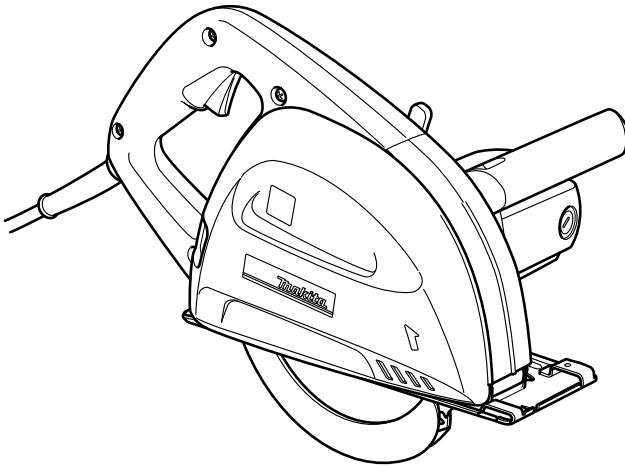
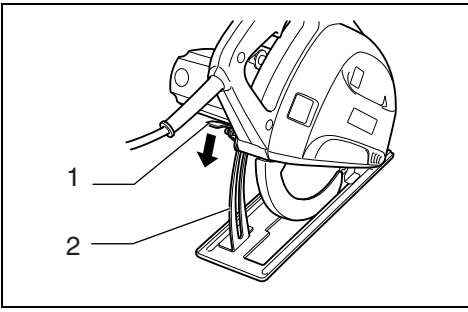




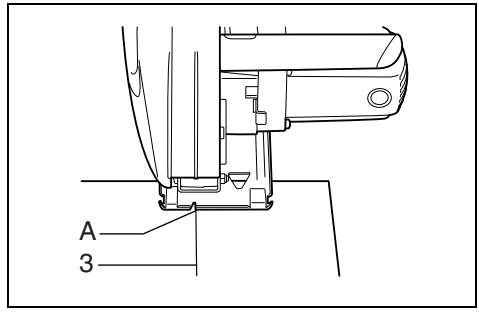
GB	Metal cutter	Instruction Manual
F	Scie Circulaire à Métaux	Manuel d'instructions
D	Metall-Handkreissäge	Betriebsanleitung
I	Troncatrice per metallo	Istruzioni per l'uso
NL	Metaalzaag	Gebruiksaanwijzing
E	Cortador de Metal	Manual de instrucciones
P	Cortador de metal	Manual de instruções
DK	Metalskæremaskine	Brugsanvisning
GR	Κόπτης μετάλλων	Οδηγίες χρήσεως

4131

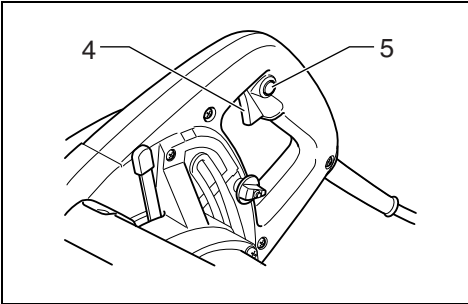




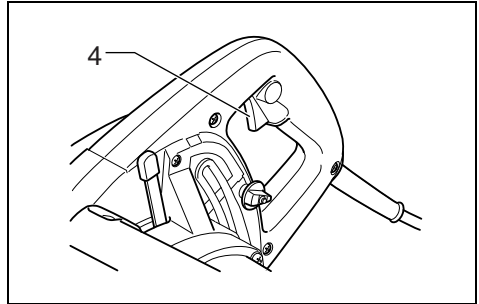
1 005344



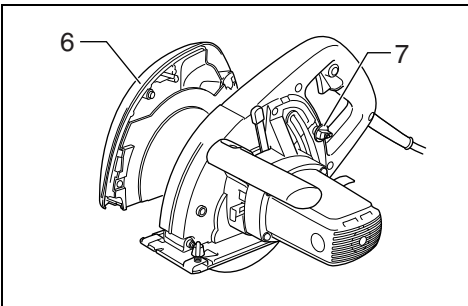
2 005345



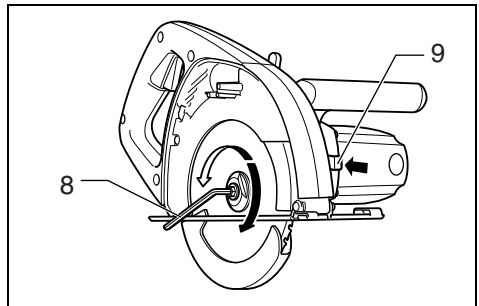
3 005346



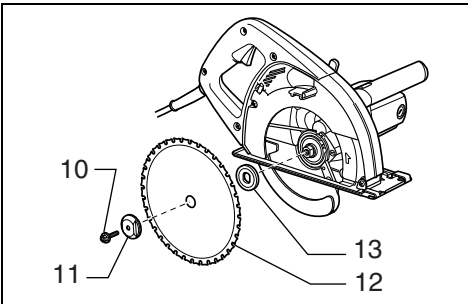
4 015655



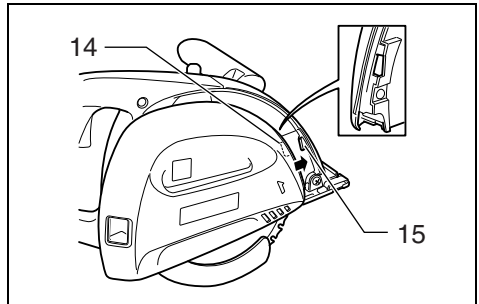
5 005347



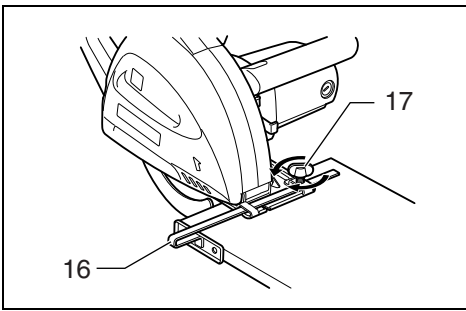
6 005348



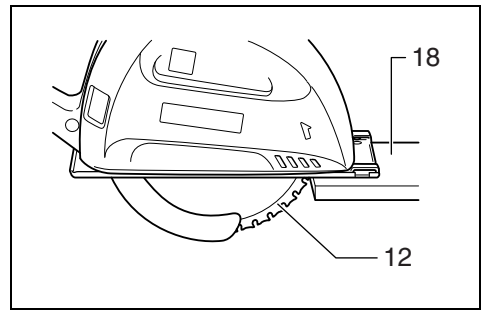
7 005349



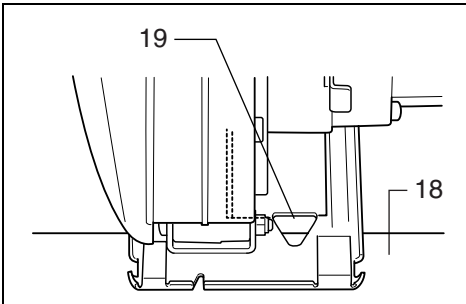
8 005350



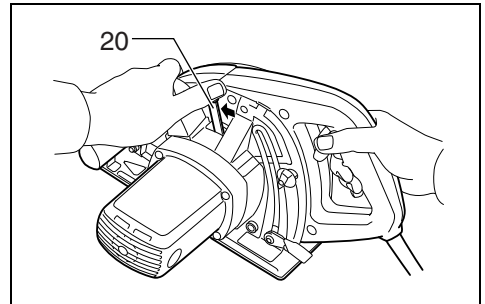
9 005351



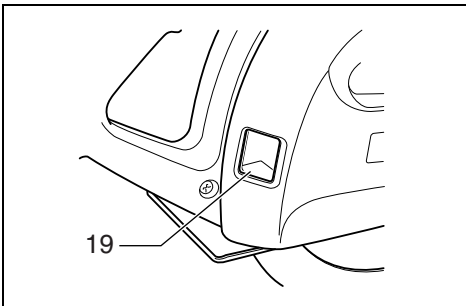
10 005352



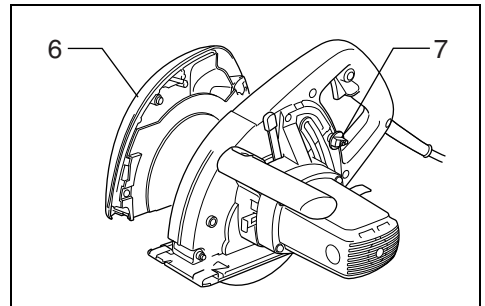
11 005353



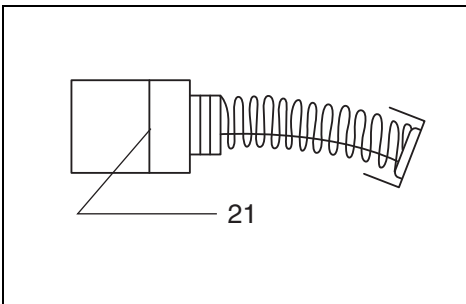
12 005354



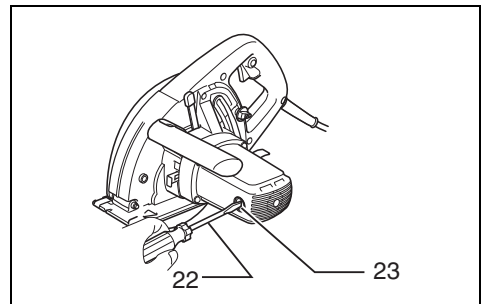
13 005355



14 005347



15 001145



16 005356

Symbols

The following show the symbols used for the equipment. Be sure that you understand their meaning before use.

Symboles

Nous donnons ci-dessous les symboles utilisés pour l'équipement. Assurez-vous que vous en avez bien compris la signification avant d'utiliser l'outil.

Simbolo

Die folgenden Symbole werden für das Gerät verwendet. Machen Sie sich vor der Benutzung unbedingt mit ihrer Bedeutung vertraut.

Simboli

Per questa apparecchiatura vengono usati i simboli seguenti. Bisogna capire il loro significato prima di usare l'utensile.

Symbolen

Voor dit apparaat worden de volgende symbolen gebruikt. Zorg ervoor dat u de betekenis van deze symbolen begrijpt alvorens het gereedschap te gebruiken.

Símbolos

A continuación se muestran los símbolos utilizados con este aparato. Asegúrese de que entienda su significado antes de usarlo.

Símbolos

O seguinte mostra os símbolos utilizados para os aparelho. Certifique-se de que compreende o seu significado antes da utilização.

Symboler

I det følgende vises de symboler, som anvendes til udstyret. Vær sikker på, at De har forstået symbolernes betydning, før maskinen anvendes.

Σύμβολα

Ta ακόλουθα δείχνουν τα σύμβολα που χρησιμοποιούνται για τον εξοπλισμό. Βεβαιωθείτε ότι καταλαβαίνετε τη σημασία τους πριν από τη χρήση.



- Read instruction manual.
- Lire le mode d'emploi.
- Bitte Bedienungsanleitung lesen.
- Leggete il manuale di istruzioni.
- Lees de gebruiksaanwijzing.

- Lea el manual de instrucciones.
- Leia o manual de instruções.
- Læs brugsanvisningen.
- Διαβάστε τις οδηγίες χρήσης.



- DOUBLE INSULATION
- DOUBLE ISOLATION
- DOPPELT SCHUTZISOLIERT
- DOPPIO ISOLAMENTO
- DUBBELE ISOLATIE

- DOBLE AISLAMIENTO
- DUPLO ISOLAMENTO
- DOBBELT ISOLERET
- ΔΙΠΛΗ ΜΟΝΩΣΗ



- Pay attention! It may become too hot.
- Prenez garde ! Il y a risque de brûlure.
- Achtung! Kann sehr heiß werden.
- Attenzione! Può diventare estremamente caldo.
- Let op! Kan zeer heet zijn.

- ¡Preste atención! Podrá calentarse mucho.
- Tenha cuidado! Pode ficar muito quente.
- Vær agtpågivende! Den kan blive for varm.
- Προσέχετε! Μπορεί να υπερθερμανθεί.



- Only for EU countries

Do not dispose of electric equipment together with household waste material!
In observance of the European Directive, on Waste Electric and Electronic Equipment and its implementation in accordance with national law, electric equipment that have reached the end of their life must be collected separately and returned to an environmentally compatible recycling facility.

- Uniquement pour les pays de l'UE

Ne pas jeter les équipements électriques dans les ordures ménagères !
Conformément à la directive européenne relative aux déchets d'équipements électriques et électroniques ainsi qu'à son application en conformité avec les lois nationales, les appareils électriques qui ont atteint la fin de leur durée de service doivent être collectés séparément et renvoyés à un établissement de recyclage respectueux de l'environnement.

- Nur für EU-Länder

Werfen Sie Elektrogeräte nicht in den Hausmüll!

Unter Einhaltung der Europäischen Richtlinie über Elektro- und Elektronik-Altgeräte und ihrer Umsetzung gemäß den Landesgesetzen müssen Elektrogeräte, die das Ende ihrer Lebensdauer erreicht haben, getrennt gesammelt und einer umweltgerechten Recycling-Einrichtung zugeführt werden.

- Solo per Paesi UE

Non gettare le apparecchiature elettriche tra i rifiuti domestici.

In osservanza delle direttive europee riguardanti gli apparecchi elettrici ed elettronici di scarto e la loro implementazione in conformità con le leggi nazionali, gli apparecchi elettrici che hanno raggiunto la fine della loro vita di servizio devono essere raccolti separatamente e portati a un centro di riciclaggio compatibile con l'ambiente.

- Alleen voor EU-landen

Geef elektrische apparaten niet met het huisvuil mee!

Volgens de Europese richtlijn inzake oude elektrische en elektronische apparaten en de tenuitvoerlegging daarvan binnen de nationale wetgeving, dienen opgebruikte elektrische apparaten gescheiden te worden ingezameld, om te worden verwerkt door een recyclebedrijf dat voldoet aan de geldende milieu-eisen.

- Sólo para países de la Unión Europea

¡No deseche los aparatos eléctricos junto con los residuos domésticos!

De conformidad con la Directiva Europea sobre residuos de aparatos eléctricos y electrónicos y su aplicación de acuerdo con la legislación nacional, los aparatos eléctricos cuya vida útil haya llegado a su fin deberán ser recogidos por separado y trasladados a una planta de reciclaje que cumpla con las exigencias ecológicas.

- Apenas para países da UE

Não deite ferramentas eléctricas no lixo doméstico!

Em conformidade com a Directiva Europeia sobre os resíduos de equipamentos eléctricos e electrónicos e respectiva implementação, de acordo com a lei nacional, os equipamentos eléctricos que atingiram o fim da vida de utilização têm de ser recolhidos separadamente e entregues em instalações de reciclagem compatíveis com o ambiente.

- Kun for EU-lande

El-værktøj må ikke bortskaffes som almindeligt affald!

I henhold til det europæiske direktiv om udtjent elektrisk og elektronisk udstyr og iværksættelse af bortskaffelsen i overensstemmelse med national lov, skal elektrisk udstyr, som har nået slutningen af dets levetid, indsamles separat og returneres til en miljømæssigt kompatibel genbrugsfacilitet.

- Μόνο για τις χώρες της ΕΕ

Μη πετάτε τα είδη ηλεκτρικού εξοπλισμού μαζί με τα οικιακά απορρίμματα.

Σύμφωνα με την Ευρωπαϊκή Οδηγία σχετικά με απόβλητο ηλεκτρικό και ηλεκτρονικό εξοπλισμό και την ενσωμάτωσή της στην εθνική νομοθεσία, ο ηλεκτρικός εξοπλισμός που έχει φτάσει το τέλος ζωής του πρέπει να συλλέγεται ξεχωριστά και να επιστρέφεται σε περιβαλλοντικά συμβατές εγκαταστάσεις ανακύκλωσης.

Explanation of general view

- | | | |
|-------------------|-----------------------------|---------------------|
| 1 Lever | 9 Shaft lock | 17 Screw |
| 2 Depth guide | 10 Hex socket head bolt | 18 Workpiece |
| 3 Cutting line | 11 Outer flange | 19 Sight window |
| 4 Switch trigger | 12 Carbide-tipped saw blade | 20 Retracting lever |
| 5 Lock-off button | 13 Inner flange | 21 Limit mark |
| 6 Dust cover | 14 Slot | 22 Screwdriver |
| 7 Knob | 15 Rib | 23 Brush holder cap |
| 8 Hex wrench | 16 Rip fence (Guide rule) | |

SPECIFICATIONS

Model	4131
Blade diameter	185 mm
Max. cutting capacity	63 mm
No load speed (min ⁻¹)	3,500
Overall length	358 mm
Net weight	5.1 kg
Safety class	□/II

- Due to our continuing program of research and development, the specifications herein are subject to change without notice.
- Specifications may differ from country to country.
- Weight according to EPTA-Procedure 01/2003

ENE022-1

Intended use

The tool is intended for cutting in mild steel.

ENF002-2

Power supply

The tool should be connected only to a power supply of the same voltage as indicated on the nameplate, and can only be operated on single-phase AC supply. They are double-insulated and can, therefore, also be used from sockets without earth wire.

GEA010-1

General Power Tool Safety Warnings

⚠ WARNING Read all safety warnings and all instructions. Failure to follow the warnings and instructions may result in electric shock, fire and/or serious injury.

Save all warnings and instructions for future reference.

GEB030-5

METAL CUTTER SAFETY WARNINGS

Cutting procedures

1. **⚠ DANGER: Keep hands away from cutting area and the blade. Keep your second hand on auxiliary handle, or motor housing.** If both hands are holding the saw, they cannot be cut by the blade.
2. **Do not reach underneath the workpiece.** The guard cannot protect you from the blade below the workpiece.

3. **Adjust the cutting depth to the thickness of the workpiece.** Less than a full tooth of the blade teeth should be visible below the workpiece.
4. **Never hold piece being cut in your hands or across your leg. Secure the workpiece to a stable platform.** It is important to support the work properly to minimize body exposure, blade binding, or loss of control.
5. **Hold the power tool by insulated gripping surfaces only, when performing an operation where the cutting tool may contact hidden wiring or its own cord.** Contact with a “live” wire will also make exposed metal parts of the power tool “live” and could give the operator an electric shock.
6. **When ripping, always use a rip fence or straight edge guide.** This improves the accuracy of cut and reduces the chance for blade binding.
7. **Always use blades with correct size and shape (diamond versus round) of arbour holes.** Blades that do not match the mounting hardware of the saw will run eccentrically, causing loss of control.
8. **Never use damaged or incorrect blade washers or bolt.** The blade washers and bolt were specially designed for your saw, for optimum performance and safety of operation.

Kickback causes and related warnings

- kickback is a sudden reaction to a pinched, bound or misaligned saw blade, causing an uncontrolled saw to lift up and out of the workpiece toward the operator;
- when the blade is pinched or bound tightly by the kerf closing down, the blade stalls and the motor reaction drives the unit rapidly back toward the operator;
- if the blade becomes twisted or misaligned in the cut, the teeth at the back edge of the blade can dig into the top surface of the workpiece causing the blade to climb out of the kerf and jump back toward the operator.

Kickback is the result of saw misuse and/or incorrect operating procedures or conditions and can be avoided by taking proper precautions as given below.

9. **Maintain a firm grip with both hands on the saw and position your arms to resist kickback forces. Position your body to either side of the blade, but not in line with the blade.** Kickback could cause the saw to jump backwards, but kickback forces can be controlled by the operator, if proper precautions are taken.

10. When blade is binding, or when interrupting a cut for any reason, release the trigger and hold the saw motionless in the material until the blade comes to a complete stop. Never attempt to remove the saw from the work or pull the saw backward while the blade is in motion or kickback may occur. Investigate and take corrective actions to eliminate the cause of blade binding.
11. When restarting a saw in the workpiece, centre the saw blade in the kerf and check that saw teeth are not engaged into the material. If saw blade is binding, it may walk up or kickback from the workpiece as the saw is restarted.
12. Support large panels to minimise the risk of blade pinching and kickback. Large panels tend to sag under their own weight. Supports must be placed under the panel on both sides, near the line of cut and near the edge of the panel.
13. Do not use dull or damaged blades. Unsharpened or improperly set blades produce narrow kerf causing excessive friction, blade binding and kickback.
14. Blade depth and bevel adjusting locking levers must be tight and secure before making cut. If blade adjustment shifts while cutting, it may cause binding and kickback.
15. Use extra caution when sawing into existing walls or other blind areas. The protruding blade may cut objects that can cause kickback.

Lower guard function

16. Check lower guard for proper closing before each use. Do not operate the saw if lower guard does not move freely and close instantly. Never clamp or tie the lower guard into the open position. If saw is accidentally dropped, lower guard may be bent. Raise the lower guard with the retracting handle and make sure it moves freely and does not touch the blade or any other part, in all angles and depths of cut.
17. Check the operation of the lower guard spring. If the guard and the spring are not operating properly, they must be serviced before use. Lower guard may operate sluggishly due to damaged parts, gummy deposits, or a build-up of debris.
18. Lower guard may be retracted manually only for special cuts such as "plunge cuts" and "compound cuts." Raise lower guard by retracting handle and as soon as blade enters the material, the lower guard must be released. For all other sawing, the lower guard should operate automatically.
19. Always observe that the lower guard is covering the blade before placing saw down on bench or floor. An unprotected, coasting blade will cause the saw to walk backwards, cutting whatever is in its path. Be aware of the time it takes for the blade to stop after switch is released.
20. To check lower guard, open lower guard by hand, then release and watch guard closure. Also check to see that retracting handle does not touch tool housing. Leaving blade exposed is VERY DANGEROUS and can lead to serious personal injury.

Additional safety warnings

21. Do not stop the blades by lateral pressure on the blade.
22. **DANGER:**
Do not attempt to remove cut material when blade is moving.
CAUTION:
Blades coast after turn off.
23. Place the wider portion of the tool base on that part of the workpiece which is solidly supported, not on the section that will fall off when the cut is made.
24. Never attempt to make a cut with the tool held upside down in a vise. This is extremely dangerous and can lead to serious accidents.
25. Wear safety goggles and hearing protection during operation.
26. Do not use any abrasive wheels.
27. Only use the saw blade with the diameter that is marked on the tool or specified in the manual. Use of an incorrectly sized blade may affect the proper guarding of the blade or guard operation which could result in serious personal injury.

SAVE THESE INSTRUCTIONS.

WARNING:

DO NOT let comfort or familiarity with product (gained from repeated use) replace strict adherence to safety rules for the subject product. MISUSE or failure to follow the safety rules stated in this instruction manual may cause serious personal injury.

FUNCTIONAL DESCRIPTION

CAUTION:

- Always be sure that the tool is switched off and unplugged before adjusting or checking function on the tool.

Adjusting the depth of cut (Fig. 1)

Loosen the lever on the depth guide and move the base up or down. At the desired depth of cut, secure the base by tightening the lever.

CAUTION:

- After adjusting the depth of cut, always tighten the lever securely.

Sighting (Fig. 2)

When cutting, align the A position on the front of the base with your cutting line on the workpiece.

Switch action

CAUTION:

- Before plugging in the tool, always check to see that the switch trigger actuates properly and returns to the "OFF" position when released.

For tool with lock-off button (Fig. 3)

To prevent the switch trigger from being accidentally pulled, a lock-off button is provided.

To start the tool, push in the lock-off button and pull the switch trigger. Release the switch trigger to stop.

CAUTION:

- Do not pull the switch trigger hard without pressing in the lock-off button. This can cause switch breakage.

For tool without lock-off button (Fig. 4)

To start the tool, simply pull the switch trigger. Release the switch trigger to stop.

ASSEMBLY

CAUTION:

- Always be sure that the tool is switched off and unplugged before carrying out any work on the tool.

Installing or removing saw blade

CAUTION:

- Use only the Makita wrench provided to install or remove the blade. Failure to do so may result in over-tightening or insufficient tightening of the hex bolt. This could cause serious injury to the operator.
- Do not touch the blade with your bare hand immediately after cutting, it may be extremely hot and could burn your skin. Put on pair of gloves when removing a hot blade.

To remove the blade, first push and turn the knob which secures the dust cover clockwise to the ○ symbol and remove the dust cover. Press the shaft lock so that the blade cannot revolve and use the hex wrench to loosen the hex bolt counterclockwise. Then remove the outer flange and blade. (Fig. 5 & 6)

To install the blade, follow the removal procedure in reverse. Always install the blade so that the arrow on the blade points in the same direction as the arrow on the blade case.

BE SURE TO TIGHTEN THE HEX BOLT SECURELY. (Fig. 7)

After installing the blade, replace the dust cover. Slide the dust cover carefully so that the slot of its front fits the rib of the blade case. Make sure the dust cover fits properly then push and turn the knob counterclockwise to the ● symbol. (Fig. 8)

Rip fence (guide rule) (Accessory) (Fig. 9)

The handy rip fence (guide rule) allows you to do extra-accurate straight cuts. Simply slide the rip fence up snugly against the side of the workpiece and secure it in position with the clamp screw on the front of the base. It also makes repeated cuts of uniform width possible.

OPERATION

CAUTION:

- Never twist or force the tool in the cut. This may cause motor overload and/or a dangerous kickback, resulting in serious injury to the operator.

Hold the tool firmly with both hand. Set the base plate on the workpiece to be cut without the blade making any contact. Then turn the tool on and wait until the blade attains full speed. Move the tool forward over the workpiece surface, keeping it flat and advancing smoothly until the cutting is completed. Keep your cutting line straight and your speed of advance uniform. (Fig. 10)

The sight window in the base makes it easy to check the distance between the front edge of the saw blade and the workpiece whenever the blade is set to the maximum depth of cut. (Fig. 11)

NOTE:

- When making a miter cuts etc., sometimes the lower guard does not move easily. At that time, use the retracting lever to raise the lower guard for starting cut and as soon as blade enters the material, release the retracting lever. (Fig. 12)

CAUTION:

- Do not use a deformed or cracked blade. Replace it with a new one.
- Do not stack materials when cutting them.
- Do not cut hardened steel, stainless steel, aluminum, wood, plastics, concrete, tile, etc. **Cut only mild steel.**
- Do not touch the saw blade, workpiece or cutting chips with your bare hand immediately after cutting, they may be extremely hot and could burn your skin.
- **Always use the carbide-tipped saw blades appropriate for your job.** The use of inappropriate saw blades may cause a poor cutting performance and/or present a risk of personal injury.

Chip disposal

CAUTION:

- Always be sure that the tool is switched off and unplugged before removing or installing the dust cover.
- The dust cover may become hot due to hot chips. Do not touch the cutting chips or dust cover with your bare hand.

When the cutting chips are visible through the sight window, dispose of them. (Fig. 13)

Push and turn the knob clockwise to the ○ symbol and remove the dust cover. Dispose of the cutting chips accumulated inside the dust cover. (Fig. 14)

CAUTION:

- Do not turn the tool upside down. The cutting chips accumulated inside the dust cover may fall out of the dust cover.
- Handle the dust cover carefully so that it will not be deformed or damaged.

MAINTENANCE

CAUTION:

- Always be sure that the tool is switched off and unplugged before attempting to perform inspection or maintenance.
- Never use gasoline, benzene, thinner, alcohol or the like. Discoloration, deformation or cracks may result.

Inspecting saw blade

- Check the blade carefully for cracks or damage before and after each use. Replace a cracked or damaged blade immediately.
- Continuing to use a dull blade may cause a dangerous kickback and/or motor overload. Replace with a new blade as soon as it no longer cuts effectively.
- **Carbide-tipped saw blades for metal cutter cannot be re-sharpened.**

Replacing carbon brushes (Fig. 15 & 16)

Remove and check the carbon brushes regularly. Replace when they wear down to the limit mark. Keep the carbon brushes clean and free to slip in the holders. Both carbon brushes should be replaced at the same time. Use only identical carbon brushes.

Use a screwdriver to remove the brush holder caps. Take out the worn carbon brushes, insert the new ones and secure the brush holder caps.

To maintain product SAFETY and RELIABILITY, repairs, any other maintenance or adjustment should be performed by Makita Authorized Service Centers, always using Makita replacement parts.

OPTIONAL ACCESSORIES

CAUTION:

- These accessories or attachments are recommended for use with your Makita tool specified in this manual. The use of any other accessories or attachments might present a risk of injury to persons. Only use accessory or attachment for its stated purpose.

If you need any assistance for more details regarding these accessories, ask your local Makita Service Center.

- Rip fence (Guide rule)
- Safety goggle
- Recommended Carbide-tipped saw blades & work-piece ranges

NOTE:

- Some items in the list may be included in the tool package as standard accessories. They may differ from country to country.

Carbide-Tipped Metal Blades for Many Applications

Size (mm)	Applications													
	METAL SHEET		C-STUD		ANGLE-STUD		METAL STUD		REBAR	PIPE			CORRUGATED SHEET	
	t=1.5	t=3.0	50x100 t=1.6	45x90 t=3.2	50x50 t=4	50x50 t=6	t=0.56 25Ga	t=1.6 16Ga	Ø20	50x100 t=3.2	Ø25 t=1.2	Ø60 t=3.8	t=0-0.9	t=1.0- 2.0
185x36T	✗	○	✗	○	○	○	○	✗	○	○	△	○	✗	✗
185x38T	△	○	△	○	○	○	○	△	○	○	○	○	✗	✗
185x48T	○	○	○	○	△	○	○	○	△	○	○	△	✗	△
185x70T	○	△	✗	✗	✗	✗	△	✗	✗	✗	✗	✗	○	△

005705

○ Excellent ○ Good △ Fair ✗ Not Applicable

ENG901-1

CAUTION:

- Always use carbide-tipped saw blades appropriate for your job. Do not cut aluminum, wood, plastics, concrete, tiles, etc.
- Carbide-tipped saw blades for metal cutting saw are not to be re-sharpened.

- The declared vibration emission value has been measured in accordance with the standard test method and may be used for comparing one tool with another.
- The declared vibration emission value may also be used in a preliminary assessment of exposure.

ENG905-1

Noise

The typical A-weighted noise level determined according to EN60745:

Sound pressure level (L_{pA}): 89 dB (A)

Sound power level (L_{WA}): 100 dB (A)

Uncertainty (K): 3 dB (A)

Wear ear protection

ENG900-1

Vibration

The vibration total value (tri-axial vector sum) determined according to EN60745:

Work mode: cutting metal

Vibration emission ($a_{h, M}$): 2.5 m/s² or less

Uncertainty (K): 1.5 m/s²

WARNING:

- The vibration emission during actual use of the power tool can differ from the declared emission value depending on the ways in which the tool is used.
- Be sure to identify safety measures to protect the operator that are based on an estimation of exposure in the actual conditions of use (taking account of all parts of the operating cycle such as the times when the tool is switched off and when it is running idle in addition to the trigger time).

For European countries only

EC Declaration of Conformity

We Makita Corporation as the responsible manufacturer declare that the following Makita machine(s):

Designation of Machine:

Metal cutter

Model No./ Type: 4131

are of series production and

Conforms to the following European Directives:

2006/42/EC

And are manufactured in accordance with the following standards or standardised documents:

EN60745

The technical documentation is kept by:

Makita International Europe Ltd.

Technical Department,

Michigan Drive, Tongwell,

Milton Keynes, Bucks MK15 8JD, England

30.1.2009



Tomoyasu Kato
Director

Makita Corporation
3-11-8, Sumiyoshi-cho,
Anjo, Aichi, 446-8502, JAPAN

Descriptif

1 Levier	10 Boulon à tête hexagonale	17 Vis
2 Guide de profondeur	11 Flasque extérieur	18 Pièce à travailler
3 Ligne de coupe	12 Lame à dents de carbure de tungstène	19 Fenêtre du viseur
4 Gâchette	13 Flasque intérieur	20 Levier rétractable
5 Bouton de sécurité	14 Fente	21 Repère d'usure
6 Capuchon anti-poussière	15 Nervure	22 Tournevis
7 Bouton	16 Garde de refente (garde parallèle)	23 Bouchon de porte-charbon

SPÉCIFICATIONS

GEB030-5

Modèle	4131
Diamètre de la lame	185 mm
Capacité de coupe max.	63 mm
Vitesse à vide (min ⁻¹)	3 500
Longueur totale	358 mm
Poids net	5,1 kg
Niveau de sécurité	☐/II

- Étant donné l'évolution constante de notre programme de recherche et de développement, les spécifications contenues dans ce manuel sont sujettes à modification sans préavis.
- Les spécifications peuvent varier suivant les pays.
- Poids selon la procédure EPTA 01/2003

ENE022-1

Utilisations

L'outil est conçu pour la coupe de l'acier doux.

ENF002-2

Alimentation

L'outil ne devra être raccordé qu'à une alimentation de la même tension que celle qui figure sur la plaque signalétique, et il ne pourra fonctionner que sur un courant secteur monophasé. Réalisé avec une double isolation, il peut de ce fait être branché sur une prise sans mise à la terre.

GEA010-1

Consignes de sécurité générales pour outils électriques

⚠ AVERTISSEMENT Veuillez lire toutes les mises en garde et toutes les instructions. Il y a risque de choc électrique, d'incendie et/ou de blessure grave si les mises en garde et les instructions ne sont pas respectées.

Conservez toutes les mises en garde et instructions pour référence ultérieure.

CONSIGNES DE SÉCURITÉ POUR SCIE CIRCULAIRE À MÉTAUX

Procédures de coupe

1. **⚠ DANGER** : Gardez vos mains à l'écart de la zone de coupe et de la lame. Laissez votre deuxième main sur la poignée auxiliaire ou le carter du moteur. Vous ne risquerez pas de vous couper les mains si vous les utilisez toutes les deux pour tenir la scie.
2. **Ne placez aucune partie du corps sous la pièce à travailler.** Le protecteur n'assure aucune protection contre la lame sous la pièce à travailler.
3. **Ajustez la profondeur de coupe suivant l'épaisseur de la pièce à travailler.** La partie de la lame visible sous la pièce à travailler doit être inférieure à une dent de lame complète.
4. **Ne tenez jamais la pièce à couper dans vos mains ou sur une jambe. Immobilisez la pièce sur une surface de travail stable.** Il est important que la pièce à couper soit soutenue pour minimiser l'exposition du corps, le pincement de la lame ou les pertes de contrôle.
5. **Saisissez l'outil électrique uniquement par ses surfaces de poigne isolées lorsque vous effectuez des travaux au cours desquels l'outil tranchant peut entrer en contact avec des fils cachés ou avec le cordon d'alimentation de l'outil.** Le contact avec un fil sous tension mettra également sous tension les parties métalliques exposées de l'outil électrique, pouvant ainsi causer un choc électrique chez l'utilisateur.
6. **Lors du sciage en long utilisez toujours un garde parallèle ou un guide de coupe rectiligne.** Cela permet une plus grande précision de coupe et réduit les risques de pincement de la lame.
7. **Utilisez toujours des lames dont l'orifice central est de taille et de forme (diamantée ou ronde) adéquates.** Si la lame utilisée n'est pas conçue pour la scie, elle tournera de manière excentrique et vous perdrez la maîtrise de l'outil.
8. **N'utilisez jamais de rondelles ou boulons endommagés ou inadéquats.** Les rondelles et le boulon fournis avec la lame ont été conçus spécialement pour votre outil, afin d'assurer une performance optimale et la sécurité de l'utilisation.

Causes des chocs en retour et avertissements concernant ces derniers

- le choc en retour est une réaction soudaine de l'outil lorsque la lame est coincée, pincée ou désalignée, et la scie, hors de contrôle, se soulève alors et quitte la pièce en se dirigeant vers l'utilisateur ;
- lorsque la lame est coincée ou pincée par le trait de scie qui se referme, la lame se bloque et le moteur, en réaction, projette rapidement l'outil vers l'utilisateur ;
- si la lame se tord ou se désaligne pendant la coupe, il se peut qu'une dent du côté arrière de la lame creuse la surface supérieure de la pièce à travailler, avec pour conséquence que la lame sortira du trait de scie et sera projetée vers l'utilisateur derrière.

Le choc en retour est le résultat d'une utilisation inadéquate de la scie et/ou de procédures ou conditions d'utilisation incorrectes ; on peut l'éviter en prenant des précautions adéquates, indiquées ci-dessous.

- 9. Maintenez une poigne ferme à deux mains sur la scie, et placez vos bras de sorte qu'ils puissent résister à la force du choc en retour. Placez-vous d'un côté ou de l'autre de la lame, pas dans sa ligne de coupe.** Le choc en retour peut faire bondir la scie vers l'arrière, mais l'utilisateur pourra alors maîtriser la force du choc en retour s'il prend les précautions nécessaires.
- 10. Si la lame se pince ou si vous interrompez la coupe pour une raison quelconque, libérez la gâchette et maintenez la scie immobile dans le matériau jusqu'à l'arrêt complet de la lame. N'essayez jamais de retirer la scie de la pièce ou de la faire reculer alors que la lame tourne encore, autrement il y a risque de choc en retour.** Identifiez la cause du pincement de la lame et prenez les mesures correctives pour éliminer ladite cause.
- 11. Avant de redémarrer la scie dans la pièce, centrez la lame dans le trait de scie et assurez-vous que les dents ne pénètrent pas dans le matériau.** Si la lame se pince au moment du redémarrage de l'outil, elle risque de remonter jusqu'à l'utilisateur ou de causer un choc en retour.
- 12. Soutenez les grands panneaux pour minimiser les risques que la lame ne se coince et ne cause un choc en retour.** Les panneaux de grande dimension ont tendance à s'affaisser sous leur propre poids. Des supports doivent être installés sous le panneau, des deux côtés, près de la ligne de coupe et près du bord du panneau.
- 13. N'utilisez pas les lames émoussées ou endommagées.** Les lames mal affûtées ou mal posées produisent un trait de scie étroit dont découlent une friction excessive, le pincement de la lame et un choc en retour.
- 14. Avant d'effectuer la coupe, les leviers de verrouillage et réglage de profondeur et de coupe en biseau doivent être fermement serrés.** Il y a risque de pincement et de choc en retour si les réglages de la lame se déplacent pendant la coupe.
- 15. Soyez tout particulièrement prudent lorsque vous sciez dans un mur ou autre surface opaque.** La lame risque d'entrer en contact avec des objets pouvant causer un choc en retour.

Fonctionnement du carter de protection inférieur

- 16. Avant chaque utilisation, assurez-vous que le carter de protection inférieur ferme bien. N'utilisez pas la scie si le carter de protection inférieur ne se déplace pas librement et ne se referme pas immédiatement. N'immobilisez ou ne fixez jamais le carter de protection inférieur en position ouverte.** Le carter de protection inférieur risque de plier si vous échappez la scie par accident. Soulevez le carter de protection inférieur à l'aide de la poignée rétractable et assurez-vous qu'il se déplace librement sans entrer en contact avec la lame ou toute autre partie de la scie, et ce quel que soit l'angle ou la profondeur de coupe.
- 17. Vérifiez le fonctionnement du ressort du carter de protection inférieur. Le carter de protection et le ressort doivent être réparés avant l'utilisation s'ils ne fonctionnent pas correctement.** Le fonctionnement du carter de protection inférieur risque d'être ralenti par des pièces endommagées, des dépôts gluants ou l'accumulation de débris.
- 18. Il est possible de rétracter manuellement le carter de protection inférieur uniquement pour les coupes spéciales telles que les "coupes en plongée" et les "coupes combinées".** Élevez le carter de protection inférieur au moyen du levier rétractable et, dès que la lame pénètre dans le matériau, libérez le carter de protection inférieur. Pour tout autre type de sciage, il faut laisser le carter de protection inférieur fonctionner automatiquement.
- 19. Assurez-vous toujours que le carter de protection inférieur recouvre la lame avant de poser la scie sur l'établi ou le plancher.** La scie risque de se déplacer vers l'arrière en coupant tout ce qui se trouve sur sa trajectoire si la lame n'est pas recouverte du protecteur et tourne encore. N'oubliez pas qu'il faut un certain temps avant que la lame ne s'arrête une fois la gâchette relâchée.
- 20. Pour vérifier que le carter de protection inférieur se referme bien, ouvrez-le manuellement et relâchez-le.** Assurez-vous également que la poignée rétractable ne touche pas le carter de l'outil. Une lame exposée est TRES DANGEREUSE et peut causer de graves blessures.

Consignes de sécurité supplémentaires

- 21. N'appliquez jamais une pression latérale sur la lame pour l'arrêter.**
- 22. DANGER :**
N'essayez pas de retirer le matériau coupé pendant que la lame tourne.
ATTENTION :
La lame continue de tourner après la mise hors tension de l'outil.
- 23. Placez la partie la plus grande de la base de la scie sur la partie de la pièce qui est solidement soutenue, non sur celle qui tombera une fois la coupe terminée.**
- 24. N'essayez jamais de faire une coupe en plaçant l'outil à l'envers dans un étau.** Cela est très dangereux et peut entraîner un accident grave.
- 25. Portez des lunettes de sécurité et une protection d'oreilles pendant l'utilisation de l'outil.**
- 26. N'utilisez pas de meules abrasives.**

27. Utilisez uniquement une lame dont le diamètre correspond à celui indiqué sur l'outil ou dans le manuel. L'utilisation d'une lame de la mauvaise taille risque d'affecter le carter de protection de la lame ou son bon fonctionnement, ce qui peut entraîner une blessure grave.

CONSERVEZ CES INSTRUCTIONS.

AVERTISSEMENT :

NE vous laissez PAS tromper (au fil d'une utilisation répétée) par un sentiment d'aisance et de familiarité avec le produit, en négligeant le respect rigoureux des consignes de sécurité qui accompagnent le produit en question. La MAUVAISE UTILISATION de l'outil ou l'ignorance des consignes de sécurité indiquées dans ce manuel d'instructions peut entraîner une blessure grave.

DESCRIPTION DU FONCTIONNEMENT

ATTENTION :

- Assurez-vous toujours que l'outil est hors tension et débranché avant de l'ajuster ou de vérifier son fonctionnement.

Réglage de la profondeur de coupe (Fig. 1)

Desserrez le levier du guide de profondeur puis déplacez la base vers le haut ou le bas. A la profondeur de coupe désirée, fixez la base en serrant le levier.

ATTENTION :

- Après avoir ajusté la profondeur de coupe, serrez toujours fermement le levier.

Visée (Fig. 2)

Lors de la coupe, alignez sur la ligne de coupe de la pièce à travailler la position A à l'avant de la base.

Interrupteur

ATTENTION :

- Avant de brancher l'outil, vérifiez toujours que la gâchette fonctionne bien et revient en position d'arrêt lorsque relâchée.

Outil équipé d'un bouton de sécurité (Fig. 3)

Un bouton de sécurité est fourni pour prévenir la pression accidentelle sur la gâchette.

Pour faire démarrer l'outil, appuyez sur le bouton de sécurité puis sur la gâchette. Pour l'arrêter, relâchez la gâchette.

ATTENTION :

- N'appuyez pas sur la gâchette en forçant sans appuyer sur le bouton de sécurité. Vous risquez de casser la gâchette.

Outil sans bouton de sécurité (Fig. 4)

Pour mettre l'outil en marche, il suffit d'appuyer sur la gâchette. Pour arrêter l'outil, libérez la gâchette.

ASSEMBLAGE

ATTENTION :

- Assurez-vous toujours que l'outil est hors tension et débranché avant d'effectuer tout travail dessus.

Installation et retrait de la lame

ATTENTION :

- Utilisez exclusivement la clé Makita fournie pour installer ou retirer la lame. Sinon, le boulon hexagonal risque d'être trop ou pas assez serré. Cela comporte un risque de blessure grave pour l'utilisateur.
- Ne touchez pas la lame à mains nues immédiatement après la coupe ; elle peut être extrêmement chaude et risquerait de vous brûler la peau. Pour retirer une lame chaude, mettez une paire de gants.

Pour retirer la lame, appuyez d'abord sur le boulon qui retient le capuchon anti-poussière, puis tournez-le dans le sens des aiguilles d'une montre jusqu'au symbole ○, et retirez le capuchon anti-poussière. Appuyez sur le blocage de l'arbre de sorte que la lame ne puisse pas tourner et utilisez la clé hexagonale pour desserrer le boulon hexagonal en le tournant dans le sens inverse des aiguilles d'une montre. Retirez ensuite le flasque extérieur et la lame. (Fig. 5 et 6)

Pour poser la lame, suivez la procédure de retrait dans l'ordre inverse. Installez toujours la lame de sorte que la flèche qui se trouve sur la lame pointe dans le même sens que la flèche du porte-lame.

ASSUREZ-VOUS D'AVOIR FERMEMENT SERRÉ LE BOULON HEXAGONAL. (Fig. 7)

Après avoir posé la lame, remettez le capuchon anti-poussière en place. Glissez le capuchon anti-poussière doucement de sorte que la fente qui se trouve à l'avant du capuchon soit alignée sur la nervure du porte-lame. Assurez-vous que le capuchon anti-poussière est bien aligné, puis appuyez sur le bouton et tournez-le dans le sens inverse des aiguilles d'une montre jusqu'au symbole ●. (Fig. 8)

Garde de refente (garde parallèle) (accessoire) (Fig. 9)

Le garde de refente (garde parallèle) pratique vous permet d'effectuer des coupes droites d'une extrême précision. Faites simplement glisser le garde parallèle le long du côté de la pièce à travailler en le maintenant en position à l'aide de la vis de serrage située à l'avant de la base. Cela permet également d'effectuer plusieurs coupes d'une largeur uniforme.

UTILISATION

ATTENTION :

- Ne jamais tourner ou forcer l'outil pendant la coupe. Cela risquerait de causer une surcharge du moteur et/ou un dangereux choc en retour pouvant blesser gravement l'utilisateur.

Tenez l'outil fermement à deux mains. Placez la plaque de base de l'outil sur la pièce à couper de sorte que la lame n'entre pas en contact avec quoi que ce soit. Mettez ensuite l'outil sous tension et attendez que la lame ait atteint sa pleine vitesse. Déplacez l'outil vers l'avant sur la surface de la pièce, en le maintenant à plat et en le faisant avancer doucement jusqu'à ce que la coupe soit terminée. Maintenez la ligne de coupe bien droite et la vitesse de progression constante. (Fig. 10)

La fenêtre de viseur située sur la base permet de vérifier facilement la distance entre le bord avant de la lame et la pièce à travailler, lorsque la lame est réglée sur la profondeur maximale de coupe. (Fig. 11)

NOTE :

- Le carter de protection inférieur ne se déplace pas toujours facilement lors des coupes d'onglet. Il faut alors utiliser le levier rétractable pour soulever le carter de protection inférieur et commencer la coupe, puis, dès que la lame pénètre le matériau, relâcher le levier rétractable. (Fig. 12)


ATTENTION :

- N'utilisez pas la lame si elle est déformée ou fissurée. Remplacez-la par une neuve.
- N'empilez pas les matériaux pour les couper.
- Ne coupez pas l'acier trempé, l'acier inoxydable, l'aluminium, le bois, le plastique, le béton, la tuile, etc. **Coupez uniquement l'acier doux.**
- Ne touchez pas la lame, la pièce ou les copeaux à main nue immédiatement après la coupe, car ils peuvent être extrêmement chauds et risqueraient de vous brûler la peau.
- **Utilisez toujours des lames à dents de carbure de tungstène qui conviennent au travail à effectuer.** L'utilisation d'une lame inadéquate peut entraîner une performance de coupe médiocre et/ou constituer un risque de blessure.

Mise au rebut des copeaux

ATTENTION :

- Assurez-vous toujours que l'outil est hors tension et débranché avant de retirer ou d'installer le capuchon anti-poussière.
- Le capuchon anti-poussière peut devenir chaud au contact des copeaux chauds. Ne touchez pas les copeaux ou le capuchon à main nue.

Mettez les copeaux au rebut lorsqu'ils deviennent visibles dans la fenêtre du viseur. (Fig. 13)
Appuyez sur le bouton et tournez-le dans le sens des aiguilles d'une montre jusqu'au symbole  et retirez le capuchon anti-poussière. Mettez au rebut les copeaux accumulés à l'intérieur du capuchon anti-poussière. (Fig. 14)

ATTENTION :

- Ne mettez pas l'outil à l'envers. Les copeaux accumulés à l'intérieur du capuchon anti-poussière risqueraient de sortir.
- Manipulez doucement le capuchon anti-poussière pour éviter de le déformer ou de l'endommager.

ENTRETIEN

ATTENTION :

- Assurez-vous toujours que l'outil est hors tension et débranché avant d'y effectuer tout travail d'inspection ou d'entretien.
- N'utilisez jamais d'essence, benzine, diluant, alcool ou autre produit similaire. Cela risquerait de provoquer la décoloration, la déformation ou la fissuration de l'outil.

Inspection de la lame

- Avant et après chaque utilisation, vérifiez soigneusement l'absence de fissures ou de dommages sur la lame. Veuillez remplacer immédiatement toute lame fissurée ou endommagée.
- Il y a risque de dangereux choc en retour et/ou de surcharge du moteur si une lame émoussée est utilisée. Remplacez la lame par une neuve si elle ne coupe plus bien.

- **Les lames à dents de carbure de tungstène pour scie circulaire à métaux ne peuvent pas être réaffûtées.**

Remplacement des charbons (Fig. 15 et 16)

Retirez et vérifiez régulièrement les charbons. Remplacez-les lorsqu'ils sont usés jusqu'au trait de limite d'usure. Maintenez les charbons propres et en état de glisser aisément dans les porte-charbon. Les deux charbons doivent être remplacés en même temps. N'utilisez que des charbons identiques.

Utilisez un tournevis pour retirer les bouchons de porte-charbon. Enlevez les charbons usés, insérez-en de nouveaux et revissez solidement les bouchons de porte-charbon.

Pour maintenir la SÉCURITÉ et la FIABILITÉ du produit, les réparations, et tout autre travail d'entretien ou de réglage doivent être effectués dans un centre de service Makita agréé, exclusivement avec des pièces de rechange Makita.

ACCESSOIRES EN OPTION

ATTENTION :

- Les accessoires ou pièces supplémentaires qui suivent sont recommandés pour l'utilisation avec l'outil Makita spécifié dans ce manuel. L'utilisation de tout autre accessoire ou pièce supplémentaire peut comporter un risque de blessure. Utilisez uniquement l'accessoire ou la pièce supplémentaire dans le but spécifié.

Pour obtenir plus de détails sur ces accessoires, contactez votre Centre d'Entretien local Makita.

- Garde de refente (garde parallèle)
- Lunettes de sécurité
- Les lames à dents de carbure de tungstène recommandées et leurs spécifications

NOTE :

- Il se peut que certains éléments de la liste soient compris dans l'emballage de l'outil en tant qu'accessoires standard. Ils peuvent varier d'un pays à l'autre.

	Usages													
	MÉTAL EN FEUILLE		MONTANT EN "C"		MONTANT EN ANGLE		MONTANT MÉTALLIQUE		BARRE NERVURÉE	PIPE			TÔLE ONDULÉE	
Taille (mm)	t=1,5	t=3,0	50x100 t=1,6	45x90 t=3,2	50x50 t=4	50x50 t=6	t=0,56 25Ga	t=1,6 16Ga	Ø20	50x100 t=3,2	Ø25 t=1,2	Ø60 t=3,8	t=0-0,9	t=1,0-2,0
185x36T	✗	○	✗	○	○	○	○	✗	○	○	△	○	✗	✗
185x38T	△	○	△	○	○	○	○	△	○	○	○	○	✗	✗
185x48T	○	○	○	○	△	○	○	○	△	○	○	△	✗	△
185x70T	○	△	✗	✗	✗	✗	△	✗	✗	✗	✗	✗	○	△

005705

○ Excellent ○ Bon △ Moyen ✗ Ne s'applique pas

ATTENTION :

- Utilisez toujours des lames à dents de carbure de tungstène qui conviennent au travail à effectuer. Ne coupez pas l'aluminium, le bois, le plastique, le béton, la tuile, etc.
- Les lames à dents de carbure de tungstène pour scie à métal ne doivent pas être réaffûtées.

ENG905-1

Bruit

Niveau de bruit pondéré A typique, déterminé selon EN60745 :

Niveau de pression sonore (L_{pA}) : 89 dB (A)
 Niveau de puissance sonore (L_{WA}) : 100 dB (A)
 Incertitude (K) : 3 dB (A)

Porter des protecteurs anti-bruit

ENG900-1

Vibrations

Valeur totale de vibrations (somme de vecteur triaxial) déterminée selon EN60745 :

Mode de travail : coupe du métal
 Émission de vibrations ($a_{h,M}$) : 2,5 m/s² ou moins
 Incertitude (K) : 1,5 m/s²

ENG901-1

- La valeur d'émission de vibrations déclarée a été mesurée conformément à la méthode de test standard et peut être utilisée pour comparer les outils entre eux.
- La valeur d'émission de vibrations déclarée peut aussi être utilisée pour l'évaluation préliminaire de l'exposition.

AVERTISSEMENT :

- L'émission de vibrations lors de l'usage réel de l'outil électrique peut être différente de la valeur d'émission déclarée, suivant la façon dont l'outil est utilisé.
- Les mesures de sécurité à prendre pour protéger l'utilisateur doivent être basées sur une estimation de l'exposition dans des conditions réelles d'utilisation (en tenant compte de toutes les composantes du cycle d'utilisation, comme par exemple le moment de sa mise hors tension, lorsqu'il tourne à vide et le moment de son déclenchement).

Pour les pays d'Europe uniquement**Déclaration de conformité CE**

Makita Corporation, en tant que fabricant responsable, déclare que la ou les machine(s) Makita suivante(s) :

Désignation de la machine :
 Scie Circulaire à Métaux
 N° de modèle/ Type : 4131

sont produites en série et

sont conformes aux Directives européennes suivantes :

2006/42/CE

et qu'elles sont fabriquées conformément aux normes ou documents normalisés suivants :

EN60745

La documentation technique est conservée par :

Makita International Europe Ltd.
 Service technique,
 Michigan Drive, Tongwell,
 Milton Keynes, Bucks MK15 8JD, Angleterre

30.1.2009



Tomoyasu Kato
 Directeur

Makita Corporation
 3-11-8, Sumiyoshi-cho,
 Anjo, Aichi, 446-8502, JAPAN

ENH101-16

Übersicht

1 Hebel	10 Innensechskantschraube	18 Werkstück
2 Tiefenführung	11 Außenflansch	19 Sichtfenster
3 Schnittlinie	12 Hartmetallbestücktes Sägeblatt	20 Rückzughebel
4 Ein-Aus-Schalter	13 Innenflansch	21 Verschleißgrenze
5 Einschaltsperrknopf	14 Schlitz	22 Schraubendreher
6 Staubabdeckung	15 Rippe	23 Bürstenhalterkappe
7 Knopf	16 Parallelanschlag	
8 Inbusschlüssel	(Führungslineal)	
9 Spindelarretierung	17 Schraube	

TECHNISCHE DATEN

GEB030-5

Modell	4131
Sägeblattdurchmesser	185 mm
Max. Schnitttiefe	63 mm
Leerlaufdrehzahl (min ⁻¹)	3.500
Gesamtlänge	358 mm
Nettogewicht	5,1 kg
Sicherheitsklasse	□/II

- Wir behalten uns vor, Änderungen im Zuge der Entwicklung und des technischen Fortschritts ohne vorherige Ankündigung vorzunehmen.
- Die technischen Daten können von Land zu Land abweichen.
- Gewicht nach EPTA-Verfahren 01/2003

ENE022-1

Vorgesehene Verwendung

Die Maschine ist für das Sägen von Weichstahl vorgesehen.

ENF002-2

Stromversorgung

Die Maschine sollte nur an eine Stromquelle angeschlossen werden, deren Spannung mit der Angabe auf dem Typenschild übereinstimmt, und kann nur mit Einphasen-Wechselstrom betrieben werden. Diese sind doppelt schutzisoliert und können daher auch an Steckdosen ohne Erdleiter verwendet werden.

GEA010-1

Allgemeine Sicherheitswarnungen für Elektrowerkzeuge

⚠️ WARNUNG Lesen Sie alle Sicherheitswarnungen und Anweisungen durch. Eine Missachtung der unten aufgeführten Warnungen und Anweisungen kann zu einem elektrischen Schlag, Brand und/oder schweren Verletzungen führen.

Bewahren Sie alle Warnungen und Anweisungen für spätere Bezugnahme auf.

SICHERHEITSWARNUNGEN FÜR METALL-HANDKREISSÄGE

Schneidverfahren

1. **⚠️ GEFAHR: Halten Sie Ihre Hände vom Schnittbereich und dem Sägeblatt fern. Halten Sie mit der zweiten Hand den Zusatzgriff oder das Motorgehäuse.** Wenn beide Hände die Säge halten, können sie nicht durch das Sägeblatt verletzt werden.
2. **Fassen Sie nicht unter das Werkstück.** Die Schutzhaube bietet keinen Schutz auf der Unterseite des Werkstücks.
3. **Stellen Sie die Schnitttiefe auf die Dicke des Werkstücks ein.** Das Sägeblatt darf nicht mehr als eine Zahnlänge auf der Unterseite überstehen.
4. **Halten Sie das zu schneidende Werkstück niemals in Ihren Händen oder auf den Beinen. Sichern Sie das Werkstück auf einer stabilen Plattform.** Es ist wichtig, das Werkstück sachgemäß abzustützen, um Körperaussetzung, Klemmen des Sägeblatts oder Verlust der Kontrolle auf ein Minimum zu reduzieren.
5. **Halten Sie das Elektrowerkzeug nur an den isolierten Griffflächen, wenn Sie Arbeiten ausführen, bei denen die Gefahr besteht, dass verborgene Kabel oder das eigene Kabel kontaktiert werden.** Bei Kontakt mit einem Strom führenden Kabel können die freiliegenden Metallteile des Elektrowerkzeugs ebenfalls Strom führend werden, so dass der Benutzer einen elektrischen Schlag erleiden kann.
6. **Verwenden Sie beim Längssägen stets einen Parallelanschlag oder ein Richtlineal.** Dadurch wird die Schnittgenauigkeit verbessert und die Gefahr von Sägeblatt-Klemmen reduziert.
7. **Verwenden Sie stets Sägeblätter, deren Spindelbohrung die korrekte Größe und Form (rautenförmig oder rund) hat.** Sägeblätter, die nicht genau auf den Montageflansch der Säge passen, rotieren exzentrisch und verursachen den Verlust der Kontrolle.
8. **Verwenden Sie niemals beschädigte oder falsche Sägeblattscheiben oder -schrauben.** Die Sägeblattscheiben und -schrauben sind speziell für Ihre Maschine vorgesehen, um optimale Leistung und Betriebssicherheit zu gewährleisten.

Rückschlagursachen und damit zusammenhängende Warnungen

- Ein Rückschlag ist eine plötzliche Reaktion auf ein eingeklemmtes, schleifendes oder falsch ausgerichtetes Sägeblatt, der ein unkontrolliertes Anheben und Herausspringen der Säge aus dem Werkstück in Richtung der Bedienungsperson verursacht;
- Wenn das Sägeblatt durch den sich schließenden Sägeschlitz eingeklemmt oder festgehalten wird, bleibt das Sägeblatt stehen, und die Motorreaktion drückt die Maschine plötzlich in Richtung der Bedienungsperson zurück;
- Falls das Sägeblatt im Schnitt verdreht oder versetzt wird, können sich die Zähne an der Hinterkante des Sägeblatts in die Oberfläche des Werkstücks bohren, so dass sich das Sägeblatt aus dem Sägeschlitz heraushebt und in Richtung der Bedienungsperson zurückspringt.

Rückschlag ist das Resultat falscher Handhabung der Säge und/oder falscher Arbeitsverfahren oder Bedingungen und kann durch Anwendung der nachstehenden Vorsichtsmaßnahmen vermieden werden.

- 9. Halten Sie die Säge mit beiden Händen fest, und positionieren Sie Ihre Arme so, dass sie die Rückschlagkräfte auffangen. Stellen Sie sich so, dass sich Ihr Körper seitlich vom Sägeblatt befindet, nicht auf gleicher Linie mit dem Sägeblatt.** Rückschlag kann Zurückspringen der Säge verursachen; doch wenn geeignete Vorsichtsmaßnahmen getroffen werden, können die Rückschlagkräfte von der Bedienungsperson unter Kontrolle gehalten werden.
- 10. Falls das Sägeblatt klemmt oder der Schnitt aus irgendeinem Grund unterbrochen wird, lassen Sie den Ein-Aus-Schalter los, und halten Sie die Säge bewegungslos im Werkstück, bis das Sägeblatt zum völligen Stillstand kommt. Versuchen Sie niemals, die Säge bei noch rotierendem Sägeblatt vom Werkstück abzunehmen oder zurückzuziehen, weil es sonst zu einem Rückschlag kommen kann.** Nehmen Sie eine Überprüfung vor, und treffen Sie Abhilfemaßnahmen, um die Ursache von Sägeblatt-Klemmen zu beseitigen.
- 11. Wenn Sie die Säge bei im Werkstück befindlichem Sägeblatt wieder einschalten, zentrieren Sie das Sägeblatt im Sägeschlitz, und vergewissern Sie sich, dass die Sägezähne nicht mit dem Werkstück im Eingriff sind.** Falls das Sägeblatt klemmt, kann es beim Wiedereinschalten der Säge aus dem Werkstück herausschnellen oder zurückspringen.
- 12. Stützen Sie große Platten ab, um die Gefahr von Klemmen und Rückschlagen des Sägeblatts auf ein Minimum zu reduzieren.** Große Platten neigen dazu, unter ihrem Eigengewicht durchzuhängen. Die Stützen müssen beidseitig der Schnittlinie und in der Nähe der Plattenkante unter der Platte platziert werden.
- 13. Verwenden Sie keine stumpfen oder beschädigten Sägeblätter.** Unschärfe oder falsch angebrachte Sägeblätter erzeugen einen schmalen Sägeschlitz, der übermäßige Reibung, Sägeblatt-Klemmen und Rückschlag verursacht.

- 14. Die Sägeblatttiefen- und Neigungseinstellungs-Arretierhebel müssen fest angezogen und gesichert sein, bevor der Schnitt ausgeführt wird.** Falls sich die Sägeblatteinstellung während des Sägens verstellt, kann es zu Klemmen und Rückschlag kommen.
- 15. Lassen Sie beim Sägen in vorhandene Wände oder andere tote Winkel besondere Vorsicht walten.** Das vorstehende Sägeblatt kann Objekte durchschneiden, die Rückschlag verursachen können.

Funktion der Schutzhaube

- 16. Überprüfen Sie die Schutzhaube vor jeder Benutzung auf einwandfreies Schließen. Betreiben Sie die Säge nicht, falls sich die Schutzhaube nicht ungehindert bewegt und sofort schließt. Die Schutzhaube darf auf keinen Fall in der geöffneten Stellung festgeklemmt oder festgebunden werden.** Wird die Säge versehentlich fallen gelassen, kann die Schutzhaube verbogen werden. Heben Sie die Schutzhaube mit dem Rückzuggriff an, und vergewissern Sie sich, dass sie sich ungehindert bewegt und bei allen Winkel- und Schnitttiefen-Einstellungen nicht mit dem Sägeblatt oder irgendeinem anderen Teil in Berührung kommt.
- 17. Überprüfen Sie die Funktion der Schutzhaubenfeder. Falls Schutzhaube und Feder nicht einwandfrei funktionieren, müssen die Teile vor der Benutzung gewartet werden.** Falls beschädigte Teile, klebrige Ablagerungen oder Schmutzansammlung vorhanden sind, kann die Schutzhaube schwergängig werden.
- 18. Die Schutzhaube sollte nur für spezielle Schnitte, wie "Tauchschnitte" und "Compound-schnitte", manuell zurückgezogen werden.** Heben Sie die Schutzhaube mit dem Rückzughebel an, und sobald das Sägeblatt in das Werkstück eindringt, muss die Schutzhaube losgelassen werden. Für alle anderen Sägearbeiten sollte die Schutzhaube automatisch betätigt werden.
- 19. Vergewissern Sie sich stets, dass die Schutzhaube das Sägeblatt verdeckt, bevor Sie die Säge auf der Werkbank oder dem Boden ablegen.** Ein ungeschützt auslaufendes Sägeblatt bewirkt Rückwärtskriechen der Säge und schneidet alles, was sich in seinem Weg befindet. Berücksichtigen Sie die Auslaufzeit des Sägeblatts bis zum Stillstand nach dem Loslassen des Ein-Aus-Schalters.
- 20. Öffnen Sie die Schutzhaube probeweise von Hand, und achten Sie beim Loslassen darauf, dass sie sich einwandfrei schließt. Vergewissern Sie sich auch, dass der Rückzuggriff nicht mit dem Werkzeuggehäuse in Berührung kommt.** Die Bloßstellung des Sägeblatts ist SEHR GEFÄHRLICH und kann zu schweren Verletzungen führen.

Zusätzliche Sicherheitswarnungen

- 21. Bremsen Sie die Maschine nicht durch seitlichen Druck auf das Sägeblatt ab.**
- 22. GEFAHR:**
Versuchen Sie nicht, abgeschnittenes Material bei rotierendem Sägeblatt zu entfernen.
VORSICHT:
Das Sägeblatt läuft nach dem Ausschalten noch nach.

23. **Setzen Sie den breiteren Teil der Grundplatte auf den fest abgestützten Teil des Werkstücks, nicht auf den Teil, der nach dem Schnitt herunterfällt.**
24. **Versuchen Sie niemals, die Maschine zum Schneiden verkehrt herum in einen Schraubstock einzuspannen. Dies ist sehr gefährlich und kann zu schweren Unfällen führen.**
25. **Tragen Sie eine Schutzbrille und einen Gehörschutz während der Arbeit.**
26. **Verwenden Sie keine Schleifscheiben.**
27. **Verwenden Sie nur Sägeblätter mit einem Durchmesser, der an der Maschine markiert oder im Handbuch angegeben ist. Die Verwendung eines Sägeblatts mit falscher Größe kann den einwandfreien Schutz des Sägeblatts oder den Schutzbetrieb beeinträchtigen, was ernsthaften Personenschaden zur Folge haben kann.**

BEWAHREN SIE DIESE HINWEISE SORGFÄLTIG AUF.

WARNUNG:

Lassen Sie sich NICHT durch Bequemlichkeit oder Vertrautheit mit dem Produkt (durch wiederholten Gebrauch erworben) von der strikten Einhaltung der Sicherheitsregeln für das vorliegende Produkt abhalten. MISSBRAUCH oder Missachtung der Sicherheitsvorschriften in dieser Anleitung können schwere Verletzungen verursachen.

FUNKTIONSBESCHREIBUNG

VORSICHT:

- Vergewissern Sie sich vor jeder Einstellung oder Funktionsprüfung der Maschine stets, dass sie ausgeschaltet und vom Stromnetz getrennt ist.

Einstellen der Schnitttiefe (Abb. 1)

Lösen Sie den Hebel an der Tiefenführung, und ziehen Sie die Grundplatte nach oben oder unten. Arretieren Sie die Grundplatte an der gewünschten Schnitttiefe durch Festziehen des Hebels.

VORSICHT:

- Ziehen Sie den Hebel nach der Einstellung der Schnitttiefe stets fest an.

Schnittmarkierung (Abb. 2)

Richten Sie zum Schneiden die Kerbe A in der Vorderkante der Grundplatte auf die Schnittlinie am Werkstück aus.

Schalterfunktion

VORSICHT:

- Vergewissern Sie sich vor dem Anschließen der Maschine an das Stromnetz stets, dass der Ein-Aus-Schalter ordnungsgemäß funktioniert und beim Loslassen in die AUS-Stellung zurückkehrt.

Für Maschine mit Einschaltsperrknopf (Abb. 3)

Um versehentliche Betätigung des Ein-Aus-Schalters zu verhüten, ist die Maschine mit einem Einschaltsperrknopf ausgestattet.

Betätigen Sie zum Starten der Maschine den Ein-Aus-Schalter bei gedrücktem Einschaltsperrknopf. Lassen Sie zum Ausschalten den Ein-Aus-Schalter los.

VORSICHT:

- Betätigen Sie den Ein-Aus-Schalter nicht gewaltsam, ohne den Einschaltsperrknopf hineinzudrücken. Dies kann zu einer Beschädigung des Schalters führen.

Für Maschine ohne Einschaltsperrknopf (Abb. 4)

Zum Einschalten der Maschine einfach den Ein-Aus-Schalter drücken. Zum Ausschalten den Ein-Aus-Schalter loslassen.

MONTAGE

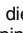
VORSICHT:

- Vergewissern Sie sich vor der Ausführung von Arbeiten an der Maschine stets, dass sie ausgeschaltet und vom Stromnetz getrennt ist.

Montieren und Demontieren des Sägeblatts


VORSICHT:

- Verwenden Sie nur den mitgelieferten Makita-Inbusschlüssel zum Montieren und Demontieren des Sägeblatts. Anderenfalls besteht die Gefahr, dass die Innensechskantschraube zu fest oder unzureichend angezogen wird. Dies könnte zu schwerer Verletzung der Bedienungsperson führen.
- Vermeiden Sie eine Berührung des Sägeblatts unmittelbar nach dem Schneiden, weil es dann noch sehr heiß ist und Hautverbrennungen verursachen kann. Ziehen Sie Handschuhe an, um das heiße Sägeblatt zu entfernen.

Drücken Sie zum Entfernen des Sägeblatts zuerst den Sicherungsknopf der Staubabdeckung hinein, und drehen Sie ihn im Uhrzeigersinn auf das Symbol , um die Staubabdeckung abzunehmen. Drücken Sie die Spindelarretierung, um das Sägeblatt zu blockieren, und lösen Sie die Innensechskantschraube, indem Sie den Inbusschlüssel entgegen dem Uhrzeigersinn drehen. Entfernen Sie dann den Außenflansch und das Sägeblatt. **(Abb. 5 und 6)**

Zum Montieren des Sägeblatts ist das Demontageverfahren umgekehrt anzuwenden. Montieren Sie das Sägeblatt stets so, dass der Pfeil auf dem Sägeblatt in die gleiche Richtung zeigt wie der Pfeil auf dem Sägeblattgehäuse.

ZIEHEN SIE DIE INNENSECHSKANTSCHRAUBE FEST AN. (Abb. 7)

Bringen Sie nach der Montage des Sägeblatts die Staubabdeckung wieder an. Schieben Sie die Staubabdeckung vorsichtig in ihre Position, so dass der Schlitz in ihrer Vorderseite auf der Rippe des Sägeblattgehäuses sitzt. Vergewissern Sie sich, dass die Staubabdeckung einwandfrei sitzt, bevor Sie den Knopf hineindrücken und entgegen dem Uhrzeigersinn auf das Symbol  drehen. **(Abb. 8)**

Parallelanschlag (Führungslinal) (Zubehör)

(Abb. 9)

Der praktische Parallelanschlag (Führungslinal) ermöglicht die Ausführung besonders genauer Geradschnitte. Schieben Sie den Parallelanschlag einfach satt anliegend gegen die Werkstückkante, und sichern Sie ihn mit der Feststellschraube an der Vorderseite des Gleitschuhs. Wiederholte Schnitte auf gleiche Breite sind ebenfalls möglich.

BETRIEB

VORSICHT:

- Unterlassen Sie Verdrehen oder gewaltsames Hineindrücken der Maschine in den Schnitt. Dies kann zu einer Überlastung des Motors und/oder zu einem gefährlichen Rückschlag führen, der schwere Verletzungen der Bedienungsperson verursachen kann.

Halten Sie die Maschine mit beiden Händen fest. Setzen Sie die Grundplatte auf das zu schneidende Werkstück auf, ohne dass das Sägeblatt mit dem Werkstück in Berührung kommt. Schalten Sie dann die Maschine ein und warten Sie, bis das Sägeblatt die volle Drehzahl erreicht hat. Schieben Sie die Maschine flach und gleichmäßig über die Werkstückoberfläche vorwärts, bis der Schnitt vollendet ist. Halten Sie eine gerade Schnittlinie und eine gleichmäßige Vorschubgeschwindigkeit ein. **(Abb. 10)**

Das Sichtfenster in der Grundplatte erleichtert die Überprüfung des Abstands zwischen der Vorderkante des Sägeblatts und dem Werkstück, wenn das Sägeblatt auf die maximale Schnitttiefe eingestellt ist. **(Abb. 11)**

HINWEIS:

- Bei der Ausführung von Gehrungsschnitten usw. kann es vorkommen, dass die Schutzhaube schwergängig wird. Verwenden Sie in solchen Fällen den Rückzughebel, um die Schutzhaube zum Starten des Schnitts anzuheben, und lassen Sie ihn los, sobald das Sägeblatt in das Material einschneidet. **(Abb. 12)**

VORSICHT:


- Verwenden Sie kein verformtes oder angerissenes Sägeblatt. Ersetzen Sie es durch ein neues.
- Schichten Sie Werkstücke zum Schneiden nicht übereinander.
- Schneiden Sie keine Werkstücke aus gehärtetem Stahl, Edelstahl, Aluminium, Holz, Kunststoff, Beton, Fliesen usw. **Schneiden Sie nur Weichstahl.**
- Vermeiden Sie eine Berührung des Sägeblatts, des Werkstücks oder der Späne unmittelbar nach dem Schneiden, weil sie dann noch sehr heiß sind und Hautverbrunnungen verursachen können.
- **Verwenden Sie nur für die jeweilige Arbeit geeignete hartmetallbestückte Sägeblätter.** Die Verwendung ungeeigneter Sägeblätter kann zu schlechter Schnittleistung führen und/oder eine Verletzungsgefahr darstellen.

Spänebeseitigung

VORSICHT:

- Vergewissern Sie sich vor der Demontage oder Montage der Staubabdeckung stets, dass die Maschine ausgeschaltet und vom Stromnetz getrennt ist.
- Die Staubabdeckung kann von heißen Spänen heiß werden. Vermeiden Sie eine Berührung der Späne oder der Staubabdeckung mit bloßen Händen.

Beseitigen Sie die Späne, wenn sie durch das Sichtfenster sichtbar sind. **(Abb. 13)**

Drücken Sie den Knopf hinein, und drehen Sie ihn im Uhrzeigersinn auf das Symbol , um die Staubabdeckung abzuhängen. Beseitigen Sie die in der Staubabdeckung angesammelten Späne. **(Abb. 14)**

VORSICHT:

- Drehen Sie die Maschine nicht um. Die in der Staubabdeckung angesammelten Späne können sonst herausfallen.

- Behandeln Sie die Staubabdeckung sorgfältig, damit sie nicht verformt oder beschädigt wird.

WARTUNG

VORSICHT:

- Denken Sie vor der Durchführung von Überprüfungen oder Wartungsarbeiten stets daran, die Maschine auszuschalten und vom Stromnetz zu trennen.
- Verwenden Sie auf keinen Fall Benzin, Benzol, Verdünner, Alkohol oder dergleichen. Solche Mittel können Verfärbung, Verformung oder Rissbildung verursachen.

Überprüfen des Sägeblatts

- Überprüfen Sie das Sägeblatt vor und nach jeder Benutzung sorgfältig auf Risse oder Beschädigung. Wechseln Sie ein gerissenes oder beschädigtes Sägeblatt unverzüglich aus.
- Die fortgesetzte Benutzung eines stumpfen Sägeblatts kann gefährlichen Rückschlag und/oder Motorüberlastung verursachen. Ersetzen Sie das Sägeblatt durch ein neues, sobald es nicht mehr effektiv schneidet.
- **Hartmetallbestückte Sägeblätter für Metall-Handkreissägen können nicht nachgeschärft werden.**

Auswechseln der Kohlebürsten (Abb. 15 und 16)

Die Kohlebürsten müssen regelmäßig entfernt und überprüft werden. Wenn sie bis zur Verschleißgrenze abgenutzt sind, müssen sie erneuert werden. Halten Sie die Kohlebürsten stets sauber, damit sie ungehindert in den Haltern gleiten können. Beide Kohlebürsten sollten gleichzeitig erneuert werden. Verwenden Sie nur identische Kohlebürsten.

Drehen Sie die Bürstenhalterkappen mit einem Schraubendreher heraus. Nehmen Sie die abgenutzten Kohlebürsten heraus, setzen Sie die neuen ein, und drehen Sie dann die Bürstenhalterkappen wieder ein.

Um die SICHERHEIT und ZUVERLÄSSIGKEIT dieses Produkts zu gewährleisten, sollten Reparaturen und andere Wartungs- oder Einstellarbeiten nur von Makita-Kundendienstzentren unter ausschließlicher Verwendung von Makita-Originalersatzteilen ausgeführt werden.

SONDERZUBEHÖR

VORSICHT:

- Die folgenden Zubehörteile oder Vorrichtungen werden für den Einsatz mit der in dieser Anleitung beschriebenen Makita-Maschine empfohlen. Die Verwendung anderer Zubehörteile oder Vorrichtungen kann eine Verletzungsgefahr darstellen. Verwenden Sie Zubehörteile oder Vorrichtungen nur für ihren vorgesehenen Zweck.

Wenn Sie weitere Einzelheiten bezüglich dieser Zubehörteile benötigen, wenden Sie sich bitte an Ihre Makita-Kundendienststelle.

- Parallelanschlag (Führungsliniale)
- Schutzbrille
- Empfohlene hartmetallbestückte Sägeblätter und Werkstückdicken

HINWEIS:

- Manche Teile in der Liste können als Standardzubehör im Werkzeugsatz enthalten sein. Sie können von Land zu Land unterschiedlich sein.

	Anwendungen													
	BLECHTAFEL		C-BOLZEN		WINKELBOLZEN		METALLBOLZEN		BETONRIP- PENSTAHL	ROHR			WELLBLECH	
Größe (mm)	t=1,5	t=3,0	50x100 t=1,6	45x90 t=3,2	50x50 t=4	50x50 t=6	t=0,56 25Ga	t=1,6 16Ga	Ø20	50x100 t=3,2	Ø25 t=1,2	Ø60 t=3,8	t=0-0,9	t=1,0- 2,0
185x36T	✗	○	✗	○	○	○	○	✗	○	○	△	○	✗	✗
185x38T	△	○	△	○	○	○	○	△	○	○	○	○	✗	✗
185x48T	○	○	○	○	△	○	○	○	△	○	○	△	✗	△
185x70T	○	△	✗	✗	✗	✗	△	✗	✗	✗	✗	✗	○	△

005705 ○ Ausgezeichnet ○ Gut △ Akzeptabel ✗ Ungeeignet

ENH101-16

VORSICHT:

- Verwenden Sie nur für die jeweilige Arbeit geeignete hartmetallbestückte Sägeblätter. Schneiden Sie keine Werkstücke aus Aluminium, Holz, Kunststoff, Beton, Fliesen usw.
- Hartmetallbestückte Sägeblätter für Metallkreissägen dürfen nicht nachgeschärft werden.

ENG905-1

Geräusch

Typischer A-bewerteter Geräuschpegel ermittelt gemäß EN60745:

- Schalldruckpegel (L_{pA}): 89 dB (A)
- Schalleistungspegel (L_{WA}): 100 dB (A)
- Ungewissheit (K): 3 dB (A)

Gehörschutz tragen

ENG900-1

Vibration

Vibrationsgesamtwert (Drei-Achsen-Vektorsumme) ermittelt gemäß EN60745:

- Arbeitsmodus: Schneiden von Metall
- Vibrationsemission ($a_{h, M}$): 2,5 m/s² oder weniger
- Ungewissheit (K): 1,5 m/s²

ENG901-1

- Der angegebene Vibrationsemissionswert wurde im Einklang mit der Standardprüfmethode gemessen und kann für den Vergleich zwischen Maschinen herangezogen werden.
- Der angegebene Vibrationsemissionswert kann auch für eine Vorbewertung des Gefährdungsgrads verwendet werden.

WARNUNG:

- Die Vibrationsemission während der tatsächlichen Benutzung des Elektrowerkzeugs kann je nach der Benutzungsweise der Maschine vom angegebenen Emissionswert abweichen.
- Identifizieren Sie Sicherheitsmaßnahmen zum Schutz des Benutzers anhand einer Schätzung des Gefährdungsgrads unter den tatsächlichen Benutzungsbedingungen (unter Berücksichtigung aller Phasen des Arbeitszyklus, wie z. B. Ausschalt- und Leerlaufzeiten der Maschine zusätzlich zur Betriebszeit).

Nur für europäische Länder

EG-Übereinstimmungserklärung

Wir, Makita Corporation als verantwortlicher Hersteller, erklären, dass die folgende(n) Makita-Maschine(n):

Bezeichnung der Maschine:

Metall-Handkreissäge

Modell-Nr./ Typ: 4131

der Serienproduktion entstammen und

den folgenden europäischen Richtlinien entsprechen:
2006/42/EG

und gemäß den folgenden Standards oder standardisierten Dokumenten hergestellt werden:

EN60745

Die technische Dokumentation befindet sich im Bestand von:

Makita International Europe Ltd.

Technische Abteilung,

Michigan Drive, Tongwell,

Milton Keynes, Bucks MK15 8JD, England

30.1.2009



Tomoyasu Kato
Direktor

Makita Corporation
3-11-8, Sumiyoshi-cho,
Anjo, Aichi, 446-8502, JAPAN

Visione generale

- | | | |
|-------------------------|---------------------------------|---------------------------|
| 1 Leva | 10 Bullone ad esagono incassato | 19 Finestrella di visione |
| 2 Guida di profondità | 11 Flangia esterna | 20 Leva retrattile |
| 3 Linea di taglio | 12 Disco diamantato | 21 Segno limite |
| 4 Interruttore | 13 Flangia interna | 22 Cacciavite |
| 5 Bottone di sblocco | 14 Fessura | 23 Tappo portaspazzole |
| 6 Coperchio antipolvere | 15 Nervatura | |
| 7 Manopola | 16 Guida pezzo (righello guida) | |
| 8 Chiave esagonale | 17 Vite | |
| 9 Blocco albero | 18 Pezzo | |

DATI TECNICI

Modello	4131
Diametro disco	185 mm
Capacità massima di taglio	63 mm
Velocità senza carico (min ⁻¹)	3.500
Lunghezza totale	358 mm
Peso netto	5,1 kg
Classe di sicurezza	II/III

- Per il nostro programma di ricerca e sviluppo continui, i dati tecnici sono soggetti a modifiche senza preavviso.
- I dati tecnici potrebbero differire a seconda del paese di destinazione del modello.
- Peso in base alla procedura EPTA 01/2003

ENE022-1

Utilizzo previsto

L'utensile è progettato per il taglio del metallo dolce.

ENF002-2

Alimentazione

L'utensile deve essere collegato soltanto a una fonte di alimentazione con la stessa tensione di quella indicata sulla targhetta del nome, e può funzionare soltanto con la corrente alternata monofase. Esse hanno un doppio isolamento, per cui possono essere usate con le prese senza messa a terra.

GEA010-1

Avvertimenti generali per la sicurezza dell'utensile elettrico

⚠ AVVERTIMENTO Leggere tutti gli avvertimenti per la sicurezza e le istruzioni. La mancata osservanza degli avvertimenti e delle istruzioni può causare scosse elettriche, incendio e/o gravi incidenti.

Conservare tutti gli avvertimenti e le istruzioni per riferimenti futuri.

GEB030-5

AVVERTIMENTI PER LA SICUREZZA DELLA TRONCATRICE PER METALLO

Procedure di taglio

1. **⚠ PERICOLO:** Tenere via le mani dall'area di taglio e dalla lama. Tenere l'altra mano sul manico secondario o alloggiamento del motore. Se si tiene la sega con entrambe le mani, esse non possono essere tagliate dalla lama.

2. **Non allungare le mani sotto il pezzo.** La protezione non può proteggerle dal disco sotto il pezzo.
3. **Regolare la profondità di taglio allo spessore del pezzo.** Sotto il pezzo dovrebbe essere visibile meno di un dente intero dei denti del disco.
4. **Mai tenere in mano o sulla gamba il pezzo che si taglia. Fissarlo ad una piattaforma stabile.** Per minimizzare l'esposizione del corpo, l'inzeppamento del disco o la perdita di controllo, è importante supportare appropriatamente il pezzo.
5. **Tenere l'utensile soltanto per le superfici di presa isolate quando si esegue una operazione dove potrebbe fare contatto con fili elettrici nascosti o con il suo stesso cordone elettrico.** Il contatto con un filo elettrico "sotto tensione" mette "sotto tensione" anche le parti metalliche esposte dell'utensile e può dare una scossa elettrica all'operatore.
6. **Per eseguire tagli diritti extraprecisi, usare sempre una guida pezzo o guida dal bordo diritto.** Ciò migliora la precisione di taglio e riduce i rischi d'inzeppamento del disco.
7. **Usare sempre dischi con le dimensioni e forme corrette del foro albero (diamante o rotondo).** Le lame con l'hardware di montaggio della sega diverso girano eccentricamente, causando la perdita di controllo.
8. **Mai usare rondelle o bulloni delle lame danneggiati o inadatti.** Le rondelle e bulloni dischi sono progettate appositamente per le prestazioni ottimali e la sicurezza di funzionamento di questo utensile.

Cause dei contraccolpi e relativi avvertimenti

- il contraccolpo è la reazione improvvisa di una lama incastrata, bloccata o disallineata, che causa un sollevamento incontrollato della sega fuori dal pezzo e verso l'operatore;
- se il disco viene incastrato o inceppato dal taglio che si chiude, esso si pianta e la reazione del motore spinge rapidamente indietro l'utensile verso l'operatore;
- se il disco si storce o diventa disallineato nel taglio, i denti sul bordo posteriore del disco possono scavare la superficie superiore del pezzo causando la fuoriuscita del disco dal taglio e un salto indietro verso l'operatore.

Il contraccolpo è il risultato dell'uso sbagliato e/o scorretto delle procedure o condizioni d'utilizzo, e può essere evitato usando le precauzioni indicate sotto.

9. **Mantenere una presa solida con entrambe le mani sulla sega, e posizionare le braccia in modo da resistere alla forza del contraccolpo. Posizionare il corpo a destra o a sinistra del disco, ma non allineato con esso.** Il contraccolpo potrebbe far saltare indietro la sega, ma la sua forza può essere controllata dall'operatore se vengono prese le precauzioni appropriate.
10. **Se la lama rimane incastrata, oppure se per un qualsiasi motivo si interrompe il taglio, rilasciare l'interruttore e mantenere ferma la sega finché non si arresta completamente. Mai cercare di rimuovere la lama dal pezzo o tirarla indietro mentre si muove, perché altrimenti si potrebbe verificare un contraccolpo.** Cercare la causa dell'inceppamento del disco ed eliminarla con le azioni correttive appropriate.
11. **Per riavviare la sega nel pezzo, allineare la lama nel taglio e controllare che i denti della sega non siano dentro il pezzo.** Se la lama è incastrata, potrebbe rialzarsi o rinculare quando la sega viene riavviata.
12. **Supportare i grandi pannelli in modo da minimizzare il rischio di inceppamento e di contraccolpo del disco.** I grandi pannelli tendono a incurvarsi sotto il loro stesso peso. I supporti devono essere sistemati ad entrambi i lati sotto il pannello, vicini alla linea di taglio e al bordo del pannello.
13. **Non usare dischi smussati o danneggiati.** I dischi non affilati o montati scorrettamente producono tagli stretti che causano frizione eccessiva, inceppamento e contraccolpo del disco.
14. **Le leve di blocco regolazione profondità disco e smussatura devono essere strette e sicure prima di eseguire il taglio.** Se la regolazione del disco si sposta durante il taglio, potrebbe causare inceppamenti e contraccolpi.
15. **Usare una particolare attenzione quando si segano pareti o altre aree cieche.** La lama sporgente potrebbe tagliare oggetti che possono causare contraccolpi.

Funzione della protezione inferiore

16. **Controllare che la chiusura della protezione inferiore sia corretta prima dell'uso. Non far funzionare la sega se la protezione inferiore non si sposta liberamente e non si chiude istantaneamente. Mai bloccare o legare la protezione inferiore nella posizione di apertura.** Se la sega dovesse cadere, la protezione inferiore potrebbe storcersi. Sollevare la protezione inferiore con il manico retrattile e accertarsi che si muova liberamente e che non tocchi la lama o alcuna altra parte, a tutti gli angoli e profondità di taglio.
17. **Controllare il funzionamento della molla della protezione inferiore. Se la protezione e la molla non funzionano correttamente, devono essere riparate prima dell'uso.** La protezione inferiore potrebbe funzionare a rilento a causa di parti danneggiate, depositi appiccicaticci o ad un accumulo di frammenti.
18. **La protezione inferiore deve essere retratta a mano soltanto per i tagli speciali, come i "tagli con perforazione" o i "tagli misti".** Sollevare la protezione inferiore con la leva retrattile e, non appena la lama entra nel materiale, rilasciare la protezione inferiore. Per tutti gli altri tagli, la protezione inferiore deve funzionare automaticamente.

19. **Accertarsi sempre che la protezione inferiore copra la lama prima di posare la sega sul banco di lavoro o sul pavimento.** La lama non protetta che gira fa rimbalzare indietro la sega, tagliando tutto ciò che si trova sul suo percorso. Fare attenzione al tempo necessario all'arresto del disco dopo il rilascio dell'interruttore.
20. **Per controllare la protezione inferiore, aprirla a mano e rilasciarla poi guardando come si chiude. Controllare anche che il manico retrattile non tocchi l'alloggiamento dell'utensile.** È MOLTO PERICOLOSO lasciare la lama esposta, con serio rischio di lesioni personali.

Norme aggiuntive per la sicurezza

21. **Non fermare il disco con la pressione laterale su di esso.**
22. **PERICOLO:**
Non cercare di rimuovere il materiale tagliato mentre il disco è in movimento.
ATTENZIONE:
Il disco si muove per forza d'inerzia dopo lo spegnimento dell'utensile.
23. **Mettere la parte più ampia della base dell'utensile sulla parte del pezzo supportata solidamente, non sulla sezione che cade dopo il taglio.**
24. **Non si deve mai cercare di fare un taglio con l'utensile mantenuto capovolto con una morsa.** Ciò è estremamente pericoloso e può causare seri incidenti.
25. **Indossare occhiali di protezione e protezioni dell'udito durante il lavoro.**
26. **Non si deve usare alcun tipo di dischi abrasivi.**
27. **Usare soltanto una lama con il diametro marcato sull'utensile o specificato nel manuale.** L'impiego di una lama di dimensioni scorrette potrebbe avere un effetto negativo sulla protezione corretta della lama o sul funzionamento della protezione, che potrebbe causare un serio incidente.

CONSERVARE QUESTE ISTRUZIONI.

AVVERTIMENTO:

NON lasciare che comodità o la familiarità d'utilizzo con il prodotto (acquisita con l'uso ripetuto) sostituisca la stretta osservanza delle norme di sicurezza. L'utilizzo SBAGLIATO o la mancata osservanza delle norme di sicurezza di questo manuale di istruzioni potrebbero causare lesioni serie.

DESCRIZIONE DEL FUNZIONAMENTO

ATTENZIONE:

- Accertarsi sempre che l'utensile sia spento e staccato dalla presa di corrente prima di regolarlo o di controllare il suo funzionamento.

Regolazione della profondità di taglio (Fig. 1)

Allentare la leva sulla guida profondità, e spostare su o giù la base. Fissare la base alla profondità di taglio desiderata stringendo la leva.

ATTENZIONE:

- Stringere sempre saldamente la leva dopo la regolazione della profondità di taglio.

Puntamento (Fig. 2)

Per tagliare, allineare la posizione A sul davanti della base con la linea di taglio sul pezzo.

Funzionamento dell'interruttore

ATTENZIONE:

- Prima di collegare l'utensile alla presa di corrente, controllare sempre che l'interruttore funzioni correttamente e che torni sulla posizione "OFF" quando viene rilasciato.

Utensile con il bottone di sblocco (Fig. 3)

L'utensile è dotato di un bottone di sblocco, per impedire che l'interruttore venga schiacciato accidentalmente. Per avviare l'utensile, spingere dentro il bottone di sblocco e schiacciare l'interruttore. Rilasciare l'interruttore per fermarlo.

ATTENZIONE:

- Non si deve schiacciare con forza l'interruttore senza premere dentro il bottone di sblocco. Ciò potrebbe causare la rottura dell'interruttore.

Utensile senza bottone di sblocco (Fig. 4)

Per avviare l'utensile, schiacciare semplicemente l'interruttore. Rilasciare l'interruttore per fermarlo.

MONTAGGIO


ATTENZIONE:

- Accertarsi sempre che l'utensile sia spento e staccato dalla presa di corrente prima di qualsiasi intervento su di esso.

Installazione o rimozione del disco


ATTENZIONE:

- Per installare o rimuovere il disco, usare soltanto la chiave Makita in dotazione. In caso contrario, si può causare il serraggio eccessivo o insufficiente del bullone esagonale. Ciò può portare a lesioni serie dell'operatore.
- Non toccare il disco con le mani nude immediatamente dopo il taglio, perché potrebbe essere estremamente caldo e bruciare la pelle. Indossare un paio di guanti per rimuovere un disco caldo.

Per rimuovere il disco, spingere e girare prima in senso orario sul simbolo  la manopola che fissa il coperchio antipolvere, e rimuovere il coperchio antipolvere. Premere il blocco albero in modo che il disco non possa girare, e usare la chiave esagonale per allentare in senso antiorario il bullone esagonale. Rimuovere poi la flangia esterna e il disco. (Fig. 5 e 6)

Per installare il disco, seguire il procedimento opposto di rimozione. Installare sempre il disco in modo che la freccia sul disco sia rivolta nella stessa direzione della freccia sulla scatola del disco.

STRINGERE SALDAMENTE IL BULLONE ESAGONALE. (Fig. 7)

Dopo aver installato il disco, rimettere a posto il coperchio antipolvere. Spingere con cura il coperchio antipolvere, in modo che la fessura sulla sua parte anteriore entri nella nervatura della scatola. Accertarsi che il coperchio antipolvere sia montato correttamente, e spingere poi e girare in senso antiorario la manopola sul simbolo . (Fig. 8)

Guida pezzo (righello guida) (accessorio) (Fig. 9)

La comoda guida pezzo (righello guida) permette di eseguire dei tagli diritti con grande precisione. Spingere semplicemente la guida pezzo contro il fianco del pezzo e fissarla in posizione con la vite di fermo sulla parte anteriore della base. Essa rende anche possibile di ripetere i tagli con la stessa larghezza.

FUNZIONAMENTO

ATTENZIONE:

- Mai forzare l'utensile nel taglio o spostarlo con movimenti laterali per farlo entrare. Ciò può causare il sovraccarico del motore e/o un contraccolpo pericoloso, con rischio di lesioni serie per l'operatore.

Tenere saldamente l'utensile con entrambe le mani. Mettere la piastra base sul pezzo da tagliare senza che il disco faccia contatto. Accendere poi l'utensile ed aspettare finché il disco ha raggiunto la velocità massima. Spostare l'utensile in avanti sopra la superficie del pezzo, mantenendolo piatto e facendolo avanzare scorrevolmente fino al completamento del taglio. Mantenere dritta la linea di taglio, e uniforme la velocità di avanzamento. (Fig. 10)

La finestrella di visione nella base facilita il controllo della distanza tra il bordo anteriore del disco e il pezzo ogni volta che il disco è regolato alla profondità massima di taglio. (Fig. 11)

NOTA:

- Quando si eseguono i tagli a quartabuono, ecc., la protezione inferiore potrebbe a volte non spostarsi facilmente. In tal caso, usare la leva retrattile per sollevare la protezione inferiore per iniziare il taglio e, non appena il disco entra nel materiale, rilasciare la leva retrattile. (Fig. 12)

ATTENZIONE:


- Non usare un disco deformato o incrinato. Sostituirlo con un altro nuovo.
- Non accatastare i materiali per tagliarli.
- Non tagliare acciaio duro, acciaio inossidabile, alluminio, legno, plastica, cemento, mattonelle, ecc. **Tagliare soltanto acciaio dolce.**
- Non toccare il disco, il pezzo o i trucioli con le mani nude immediatamente dopo il taglio, perché potrebbero essere estremamente caldi e bruciare la pelle.
- **Usare sempre dischi diamantati appropriati al lavoro.** L'impiego di dischi inadatti potrebbe causare prestazioni scarse di taglio e/o rischi di lesioni personali.

Eliminazione dei trucioli

ATTENZIONE:

- Accertarsi sempre che l'utensile sia spento e staccato dalla presa di corrente prima di rimuovere o di installare il coperchio antipolvere.
- Il coperchio antipolvere potrebbe diventare molto caldo a causa dei trucioli caldi. Non toccare i trucioli o il coperchio antipolvere con le mani nude.

Eliminare i trucioli quando diventano visibili attraverso la finestrella di visione. (Fig. 13)

Spingere e girare in senso orario la manopola sul simbolo , e rimuovere il coperchio antipolvere. Eliminare i trucioli accumulati all'interno del coperchio antipolvere. (Fig. 14)

ATTENZIONE:

- Non capovolgere l'utensile. I trucioli accumulati all'interno del coperchio antipolvere potrebbero cadere fuori dal coperchio.
- Maneggiare con cura il coperchio antipolvere, in modo che non si deformi o danneggi.

MANUTENZIONE

ATTENZIONE:

- Accertarsi sempre che l'utensile sia spento e staccato dalla presa di corrente prima di eseguire l'ispezione o la manutenzione.
- Mai usare benzina, benzene, solventi, alcol e altre sostanze simili. Potrebbero causare scolorimenti, deformazioni o crepe.

Ispezione del disco

- Controllare con cura che il disco non sia incrinato o danneggiato prima e dopo ciascun utilizzo. Sostituire immediatamente i dischi incrinati o danneggiati.
- Se si continua a usare un disco smussato, si potrebbero verificare pericolosi contraccolpi e/o il sovraccarico del motore. Sostituirlo con uno nuovo non appena non taglia più efficientemente.
- **I dischi diamantati per troncatrici per metallo non possono essere riaffilati.**

Sostituzione delle spazzole di carbone

(Fig. 15 e 16)

Rimuovere e controllare regolarmente le spazzole di carbone. Sostituirle quando sono usurate fino al segno del limite. Mantenere le spazzole di carbone pulite e libere di slittare nei portaspazzole. Entrambe le spazzole di carbone devono essere sostituite allo stesso tempo. Usare soltanto spazzole di carbone identiche.

Lame di metallo al carburo per molte applicazioni

Dimensioni (mm)	Applicazioni													
	FOGLIO METALLICO		PRIGIONIERO C		PRIGIONIERO ANGOLARE		PRIGIONIERO METALLICO		TONDINO SPIRALATO	TUBO			FOGLIO DI LAMIERA ONDULATA	
	t=1,5	t=3,0	50x100 t=1,6	45x90 t=3,2	50x50 t=4	50x50 t=6	t=0,56 25Ga	t=1,6 16Ga	Ø20	50x100 t=3,2	Ø25 t=1,2	Ø60 t=3,8	t=0-0,9	t=1,0-2,0
185x36T	✗	⊙	✗	⊙	⊙	⊙	⊙	✗	⊙	⊙	△	⊙	✗	✗
185x38T	△	⊙	△	⊙	⊙	⊙	⊙	△	⊙	⊙	⊙	⊙	✗	✗
185x48T	⊙	⊙	⊙	⊙	△	⊙	⊙	⊙	△	⊙	⊙	△	✗	△
185x70T	⊙	△	✗	✗	✗	✗	△	✗	✗	✗	✗	✗	⊙	△

005705 ⊙ Eccellente ⊙ Buono △ Passabile ✗ Non utilizzabile
ENG900-1

ATTENZIONE:

- Usare sempre dischi diamantati appropriati al lavoro. Non tagliare alluminio, legno, plastica, cemento, mattonelle, ecc.
- I dischi diamantati per troncatrici per metallo non devono essere riaffilati.

ENG905-1

Rumore

Il tipico livello di rumore pesato A determinato secondo EN60745:

Livello pressione sonora (L_{pA}): 89 dB (A)
Livello potenza sonora (L_{WA}): 100 dB (A)
Incertezza (K): 3 dB (A)

Indossare i paraorecchi

Usare un cacciavite per rimuovere i tappi dei portaspazzole. Estrarre le spazzole di carbone usurate, inserire le nuove spazzole e fissare i tappi dei portaspazzole.

Per preservare la sicurezza e l'affidabilità del prodotto, le riparazioni, la manutenzione o la regolazione devono essere eseguite da un Centro Assistenza Makita autorizzato usando sempre ricambi Makita.

ACCESSORI OPZIONALI

ATTENZIONE:

- In questo manuale si consiglia di usare questi accessori o ricambi Makita. L'impiego di altri accessori o ricambi potrebbe costituire un pericolo di lesioni. Usare esclusivamente gli accessori o ricambi per il loro scopo specificato.

Per maggiori dettagli riguardo a questi accessori, rivolgersi a un centro di assistenza Makita.

- Guida pezzo (righello guida)
- Occhiali di protezione
- Gamme dischi diamantati e pezzi consigliate

NOTA:

- Alcuni articoli nella lista potrebbero essere inclusi nell'imballaggio dell'utensile come accessori standard. Essi potrebbero differire da Paese a Paese.

Vibrazione

Il valore totale di vibrazione (somma vettore triassiale) determinato secondo EN60745:

Modalità operativa: taglio dei metalli
Emissione di vibrazione ($a_{h, M}$): 2,5 m/s^2 o meno
Incertezza (K): 1,5 m/s^2

ENG901-1

- Il valore di emissione delle vibrazioni dichiarato è stato misurato conformemente al metodo di test standard, e può essere usato per paragonare un utensile con un altro.
- Il valore di emissione delle vibrazioni dichiarato può anche essere usato per una valutazione preliminare dell'esposizione.

AVVERTIMENTO:

- L'emissione delle vibrazioni durante l'uso reale dell'utensile elettrico può differire dal valore di emissione dichiarato a seconda dei modi in cui viene usato l'utensile.
- Identificare le misure di sicurezza per la protezione dell'operatore basate sulla stima dell'esposizione nelle condizioni reali d'utilizzo (tenendo presente tutte le parti del ciclo operativo, come le volte in cui l'utensile viene spento e quando gira a vuoto, oltre al tempo di funzionamento).

ENH101-16

Modello per l'Europa soltanto**Dichiarazione CE di conformità**

Noi della Makita Corporation, come produttori responsabili, dichiariamo che le macchine Makita seguenti:

Designazione della macchina:

Troncatrice per metallo

Modello No./ Tipo: 4131

sono una produzione di serie e

conformi alle direttive europee seguenti:

2006/42/CE

E sono fabbricate conformemente ai seguenti standard o documenti standardizzati:

EN60745

La documentazione tecnica è tenuta da:

Makita International Europe Ltd.

Assistenza tecnica,

Michigan Drive, Tongwell,

Milton Keynes, Bucks MK15 8JD, Inghilterra

30.1.2009



Tomoyasu Kato

Amministratore

Makita Corporation

3-11-8, Sumiyoshi-cho,

Anjo, Aichi, 446-8502, JAPAN

Verklaring van algemene gegevens

1	Hendel	10	Zeskantbout	18	Werkstuk
2	Dieptegeleider	11	Buitenflens	19	Kijkglas
3	Zaaglijn	12	Zaagblad met hardmetalen tanden	20	Terugtrekhendel
4	Trekschakelaar	13	Binnenflens	21	Limietaanduiding
5	Ontgrendelknop	14	Sleuf	22	Schroevendraaier
6	Stofkap	15	Ribbe	23	Borstelhouderdop
7	Knop	16	Trekgeleider (breedtegeleider)		
8	Dopsleutel	17	Schroef		
9	Asblokkering				

TECHNISCHE GEGEVENS

GEB030-5

Model	4131
Diameter zaagblad	185 mm
Max. zaagcapaciteit	63 mm
Toerental onbelast (min ⁻¹)	3 500
Totale lengte	358 mm
Netto gewicht	5,1 kg
Veiligheidsklasse	□/II

- In verband met ononderbroken research en ontwikkeling behouden wij ons het recht voor bovenstaande technische gegevens te wijzigen zonder voorafgaande kennisgeving.
- De technische gegevens kunnen van land tot land verschillen.
- Gewicht volgens de EPTA-procedure 01/2003

ENE022-1

Doeleinden van gebruik

Dit gereedschap is bestemd voor het zagen van zacht staal.

ENF002-2

Stroomvoorziening

Het gereedschap mag alleen worden aangesloten op een stroombron van hetzelfde voltage als aangegeven op de naamplaat, en kan alleen op enkel-fase wisselstroom worden gebruikt. Het gereedschap is dubbel-geïsoleerd volgens de Europese standaard en kan derhalve ook op een niet-geaard stopcontact worden aangesloten.

GEA010-1

Algemene veiligheidswaarschuwingen voor elektrisch gereedschap

⚠ WAARSCHUWING! Lees alle veiligheidsaanschuwingen en alle instructies. Het niet volgen van de waarschuwingen en instructies kan leiden tot elektrische schokken, brand en/of ernstig letsel.

Bewaar alle waarschuwingen en instructies om in de toekomst te kunnen raadplegen.

VEILIGHEIDSWAARSCHUWINGEN SPECIEK VOOR EEN METAALZAAG

Werkwijze bij het zagen

1. **⚠ GEVAAR: Houd uw handen uit de buurt van het zaaggebied en het zaagblad. Houd met uw andere hand de voorhandgreep of de behuizing van het gereedschap vast.** Als u de cirkelzaag met beide handen vasthoudt, kunt u nooit in uw handen zagen.
2. **Reik niet onder het werkstuk.** De beschermkap biedt geen bescherming tegen het zaagblad onder het werkstuk.
3. **Stel de zaagdiepte af in overeenstemming met de dikte van het werkstuk.** Niet meer dan een volle tand van de zaagbladtanden mag onder het werkstuk zichtbaar zijn.
4. **Zaag nooit met het werkstuk in uw hand of op uw dijen geplaatst. Zet het werkstuk vast op een stabiele werktafel.** Het is belangrijk dat het werkstuk op de juiste manier wordt ondersteund om gevaar voor verwonding, klemming van het zaagblad, of controleverlies tot een minimum te beperken.
5. **Houd het elektrisch gereedschap alleen vast aan het geïsoleerde oppervlak van de handgrepen, wanneer u werkt op plaatsen waar het zaaggereedschap met verborgen bedrading of met zijn eigen snoer in aanraking kan komen.** Bij contact met onder spanning staande draden zullen ook de niet-geïsoleerde metalen delen van het elektrisch gereedschap onder spanning komen te staan, zodat de gebruiker een elektrische schok kan krijgen.
6. **Gebruik voor het schulpen altijd een breedtegeleider of een richtiniaal.** De snede zal dan nauwkeuriger zijn en er is minder kans dat het zaagblad klemt.
7. **Gebruik altijd zaagbladen met asgaten van de juiste grootte en vorm (diamant of rond).** Zaagbladen die niet goed passen op de bevestigingsmiddelen van de cirkelzaag, zullen excentrisch draaien waardoor u de controle over het gereedschap verliest.
8. **Gebruik nooit een beschadigde of verkeerde bouten en ringen om het zaagblad mee te bevestigen.** De sluitringen en bout van het zaagblad zijn speciaal ontworpen met het oog op optimale prestaties en veilige bediening van uw gereedschap.

Oorzaken van terugslag en waarschuwingen daarvoor

- Terugslag is een plotselinge reactie op een bekneld, vastgelopen of niet-uitgelijnd zaagblad, waardoor de oncontroleerbare cirkelzaag omhoog, uit het werkstuk en in de richting van de gebruiker gaat;
- Indien het zaagblad in de zaagsnede vastgeklemd of geklemd raakt, zal het zaagblad blokkeren en wordt de zaag door de motorreactie plotseling naar de gebruiker teruggeslagen;
- Indien het zaagblad gewrongen of gebogen in de snede zit, kunnen de tanden op het achtereinde van het zaagblad in het bovenoppervlak van het werkstuk snijden, zodat het zaagblad uit de zaagsnede naar omhoog wordt gedreven en naar de gebruiker wordt teruggeslagen.

Terugslag is het gevolg van misgebruik van de cirkelzaag en/of onjuiste gebruiksprocedures of -omstandigheden, en kan worden voorkomen door goede voorzorgsmaatregelen te treffen, zoals hieronder vermeld:

- 9. Houd de cirkelzaag stevig vast met beide handen en houd uw armen zodanig dat een terugslag wordt opgevangen. Ga aan een van beide zijden van het zaagblad staan, en nooit vlak achter het zaagblad.** Door terugslag kan de cirkelzaag achterwaarts springen, maar de kracht van de terugslag kan met de juiste voorzorgsmaatregelen door de gebruiker worden opgevangen.
- 10. Wanneer het zaagblad vastloopt, of wanneer u om een of andere reden het zagen onderbreekt, laat u de aan/uit-schakelaar los en houdt u de cirkelzaag stil in het materiaal totdat het zaagblad volledig tot stilstand is gekomen. Probeer nooit het zaagblad uit het werkstuk te halen of de cirkelzaag naar achteren te trekken, terwijl het zaagblad nog draait omdat hierdoor een terugslag kan optreden.** Zoek de oorzaak van de blokkering van het zaagblad en neem de nodige maatregelen om het probleem te verhelpen.
- 11. Wanneer u de cirkelzaag weer inschakelt terwijl het zaagblad in het werkstuk zit, plaatst u het zaagblad in het midden van de zaagsnede en controleert u dat de tanden niet in het materiaal grijpen.** Als het zaagblad is vastgelopen, kan wanneer de cirkelzaag wordt ingeschakeld het zaagblad uit het werkstuk lopen of terugslaan.
- 12. Ondersteun grote panelen om de kans op klemmen en terugslaan van het zaagblad tot een minimum te beperken.** Grote panelen hebben de neiging om onder hun eigen gewicht door te buigen. Plaats steunen onder het paneel aan beide zijden van het gereedschap, dicht bij de zaaglijn en dicht bij de buitenrand van het paneel.
- 13. Gebruik geen onscherpe of beschadigde zaagbladen.** Onscherpe of slecht gemonteerde zaagbladen produceren een smalle zaagsnede, hetgeen overmatige wrijving, klemming van het zaagblad en terugslag tot gevolg kan hebben.
- 14. De hendels voor afstelling van de zaagbladdiepte en de verstekhoek moeten goed vastgezet zijn voordat u gaat zagen.** Er is gevaar voor klemming van het zaagblad en terugslag indien de afstelling van het zaagblad tijdens het zagen verstuift.

- 15. Wees extra voorzichtig wanneer u een zaagsnede maakt in een bestaande wand of een andere plaats waar u de achterkant van het zaagoppervlak niet kunt zien.** Wanneer het zaagblad door het materiaal heen breekt, kan het een voorwerp raken waardoor een terugslag optreedt.

Functie van de onderste beschermkap

- 16. Controleer voor elk gebruik of de onderste beschermkap goed sluit. Gebruik de cirkelzaag niet als de onderste beschermkap niet vrij kan bewegen en onmiddellijk sluit. Klem of bind de onderste beschermkap nooit in de geopende stand vast.** Als u de cirkelzaag per ongeluk laat vallen, kan de onderste beschermkap worden verbogen. Til de onderste beschermkap op aan de terugtrekhandel en controleer dat deze vrij kan bewegen en niet het zaagblad of enig ander onderdeel raakt, onder alle verstekhoeken en op alle zaagdiepten.
- 17. Controleer de werking van de veer van de onderste beschermkap. Indien de beschermkap en de veer niet behoorlijk werken, dient u deze te repareren vóór het gebruik.** De onderste beschermkap kan stug bewegen ten gevolge van beschadigde onderdelen, aangezette lijm of opbouw van vuil.
- 18. De onderste beschermkap mag alleen met de hand worden geopend voor het maken van speciale zaagsneden, zoals een "blinde" zaagsnede en "samengestelde" zaagsnede.** Til de onderste beschermkap op aan de terugtrekhandel en laat deze los zodra het zaagblad in het materiaal zaagt. Bij alle andere typen zaagsneden, dient de onderste beschermkap automatisch te werken.
- 19. Let er altijd op dat de onderste beschermkap het zaagblad bedekt voordat u de cirkelzaag op een werkbak of vloer neerlegt.** Een onbeschermd zaagblad dat nog nadraait, zal de cirkelzaag achteruit doen lopen waarbij alles op zijn weg wordt gezaagd. Denk aan de tijd die het duurt nadat de het gereedschap is uitgeschakeld voordat het zaagblad stilstaat.
- 20. U kunt de onderste beschermkap controleren, door deze met de hand te openen, los te laten en te kijken hoe hij sluit. Controleer tevens of de terugtrekhandel de behuizing van het gereedschap niet raakt.** Het zaagblad onbeschermd laten is UITERST GEVAARLIJK en kan leiden tot ernstig persoonlijk letsel.

Aanvullende veiligheidsvoorschriften

- 21. Stop het zaagblad niet door er zijaartse druk op uit te oefenen.**
- 22. GEVAAR:** Probeer niet om afgezaagde stukken te verwijderen terwijl het zaagblad nog draait.
LET OP: Nadat de zaag is uitgeschakeld, blijft het zaagblad nog een tijdje ronddraaien.
- 23. Plaats het bredere deel van de zaagvoet op het gedeelte van het werkstuk dat stevig ondersteund is, en niet op het gedeelte dat eraf zal vallen wanneer het zagen voltooid is.**
- 24. Probeer nooit een zaagsnede te maken met het gereedschap ondersteboven in een bankschroef geklemd. Dit is uiterst gevaarlijk en kan ernstige ongelukken veroorzaken.**
- 25. Draag tijdens het gebruik een veiligheidsbril en oorbeschermers.**

26. Gebruik geen slijpschijven.
27. Gebruik alleen het zaagblad met de diameter die op het gereedschap wordt aangeduid of in de handleiding wordt gespecificeerd. Het gebruik van een zaagblad van een onjuist formaat kan van invloed zijn op de juiste afscherming van het blad of op de werking van de beschermkap. Dit kan tot ernstig persoonlijk letsel leiden.

BEWAAR DEZE VOORSCHRIFTEN.

WAARSCHUWING:

Laat u NIET misleiden door een vals gevoel van comfort en bekendheid met het gereedschap (na veelvuldig gebruik) en neem alle veiligheidsvoorschriften van het betreffende gereedschap altijd strikt in acht. VERKEERD GEBRUIK of het niet naleven van de veiligheidsvoorschriften in deze gebruiksaanwijzing kan leiden tot ernstige verwondingen.

BESCHRIJVING VAN DE FUNCTIES

LET OP:

- Zorg altijd dat het gereedschap is uitgeschakeld en niet op een stopcontact is aangesloten voordat u functies op het gereedschap instelt of controleert.

Instellen van de zaagdiepte (Fig. 1)

Draai de hendel op de dieptegeleider los en beweeg de voetplaat naar boven of naar beneden. Zet de voetplaat bij de gewenste diepte weer vast door de hendel vast te draaien.

LET OP:

- Draai de hendel altijd stevig vast nadat de zaagdiepte is ingesteld.

Richten (Fig. 2)

Voordat u gaat zagen, dient u de inkeping A op de voorkant van de voetplaat op één lijn te brengen met de zaaglijn op het werkstuk.

Werking van de trekschakelaar

LET OP:

- Alvorens het gereedschap op een stopcontact aan te sluiten, moet u altijd controleren of de trekschakelaar behoorlijk werkt en bij het loslaten naar de "OFF" positie terugkeert.

Voor gereedschap met ontgrendelknop (Fig. 3)

Een ontgrendelknop is voorzien om te voorkomen dat de trekschakelaar per toeval wordt ingedrukt.

Om het gereedschap te starten, drukt u eerst de ontgrendelknop in en daarna de trekschakelaar. Laat de trekschakelaar los om het gereedschap te stoppen.

LET OP:

- Trek niet hard aan de trekschakelaar zonder dat u de ontgrendelknop hebt ingedrukt. De schakelaar kan defect raken.

Voor gereedschap zonder ontgrendelknop (Fig. 4)

Trek aan de trekschakelaar om het gereedschap te starten. Laat de trekschakelaar los om het te stoppen.

INEENZETTEN

LET OP:

- Zorg altijd dat het gereedschap is uitgeschakeld en niet op een stopcontact is aangesloten alvorens enig werk aan het gereedschap uit te voeren.

Installeren of verwijderen van het zaagblad

LET OP:

- Gebruik voor het installeren of verwijderen van het zaagblad uitsluitend de meegeleverde Makita dopsleutel. Doet u dit niet, dan kan de zeskantbout te vast of te los worden aangedraaid, hetgeen kan leiden tot verwonding van de gebruiker.
- Raak het zaagblad niet met uw blote hand aan onmiddellijk na het zagen. Het blad kan zeer heet zijn en brandwonden veroorzaken. Trek een paar handschoenen aan om een nog heet zaagblad te verwijderen.

Om het zaagblad te verwijderen, druk eerst de vastzetknop van de stofkap in en draai hem naar rechts naar het ○ symbool, en verwijder de stofkap. Druk de asblossering in zodat het zaagblad niet kan draaien, en draai met de dopsleutel de zeskantbout naar links los. Verwijder vervolgens de buitenflens en het zaagblad. (Fig. 5 en 6)

Om het zaagblad te installeren, voert u de verwijderingsprocedure in omgekeerde volgorde uit. Monteer het zaagblad altijd zodanig dat het pijltje op het zaagblad in dezelfde richting wijst als het pijltje op de zaagbladkast. TREK DE ZESKANTBOUT STEVIG AAN. (Fig. 7)

Breng de stofkap weer aan nadat het zaagblad is geïnstalleerd. Schuif de stofkap voorzichtig erin zodat de sleuf op de voorzijde ervan in de ribbe van de zaagbladkast past. Controleer of de stofkap goed gemonteerd is en druk daarna de knop in en draai hem naar links naar het ● symbool. (Fig. 8)

Trekgeleider (breedtegeleider) (Accessoire) (Fig. 9)

De handige trekgeleider (breedtegeleider) maakt het mogelijk uiterst nauwkeurige rechte zaagsneden te maken. Plaats de trekgeleider vlak tegen de zijkant van het werkstuk en zet hem vervolgens vast met de klemmschroef op de voorkant van de voetplaat. Met de trekgeleider kunt u ook herhaaldelijk stukken van gelijke breedte afzagen.

BEDIENING

LET OP:

- Forceer of wring het zaagblad nooit in de zaagsnede. Dit kan overbelasting van de motor en/of gevaarlijke terugslag veroorzaken, met ernstige verwonding van de gebruiker als mogelijk gevolg.

Houd het gereedschap stevig vast met beide handen. Zet de voetplaat op het te zagen werkstuk zonder dat het zaagblad ermee in contact komt. Schakel vervolgens het gereedschap in en wacht totdat het zaagblad op volle snelheid draait. Beweeg dan het gereedschap naar voren over het oppervlak van het werkstuk; houd hierbij het gereedschap vlak en beweeg het langzaam totdat het zagen is voltooid. Houd de zaaglijn recht en beweeg het gereedschap met gelijkmatige snelheid naar voren. (Fig. 10)

Gebruik het vizier in de voetplaat om de afstand tussen de voorrand van het zaagblad en het werkstuk te controleren telkens wanneer het zaagblad op de maximale zaagdiepte is ingesteld. (Fig. 11)

OPMERKING:

- Bij verstekzagen e.d., is het mogelijk dat de onderste beschermkap niet gemakkelijk beweegt. Gebruik in dat geval de terugtrekhandel om de onderste beschermkap omhoog te brengen en het zagen te starten. Laat de terugtrekhandel los zodra het zaagblad in het materiaal dringt. (Fig. 12)

LET OP:

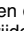
- Gebruik nooit een vervormd of gebarsten zaagblad. Vervang het door een nieuw zaagblad.
- Stapel de te zagen werkstukken niet op elkaar.
- Gebruik de zaag niet voor het zagen van gehard staal, roestvrij staal, aluminium, hout, kunststoffen, beton, tegels, e.d. **Gebruik de zaag uitsluitend voor het zagen van zacht staal.**
- Raak het zaagblad, het werkstuk of de spanen niet aan met uw blote hand onmiddellijk na het zagen. Deze kunnen zeer heet zijn en brandwonden veroorzaken.
- **Gebruik altijd zaagbladen met hardmetalen tanden die geschikt zijn voor uw werk.** Het gebruik van ongeschikte zaagbladen kan leiden tot slechte zaagprestaties en/of gevaar voor persoonlijke verwonding.

Verwijderen van zaagspanen

LET OP:

- Zorg altijd dat het gereedschap is uitgeschakeld en zijn stroomkabel uit het stopcontact is verwijderd alvorens de stofkap te verwijderen of te installeren.
- De stofkap kan heet worden ten gevolge van hete zaagspanen. Raak de zaagspanen of de stofkap niet met blote handen aan.

Verwijder de zaagspanen wanneer deze door het kijkglas te zien zijn. (Fig. 13)

Druk de knop in en draai hem naar rechts naar het symbool , en verwijder de stofkap. Verwijder de zaagspanen uit de stofkap. (Fig. 14)

LET OP:

- Keer het gereedschap niet ondersteboven. Als u dit doet, kunnen de opeengehoopte zaagspanen uit de stofkap vallen.
- Behandel de stofkap voorzichtig om vervorming of beschadiging ervan te voorkomen.

ONDERHOUD

LET OP:

- Zorg altijd dat het gereedschap is uitgeschakeld en niet op een stopcontact is aangesloten voordat u begint met inspectie of onderhoud.
- Gebruik nooit benzine, wasbenzine, thinner, alcohol en dergelijke. Hierdoor het verkleuring, vervormingen en barsten worden veroorzaakt.

Inspecteren van het zaagblad

- Inspecteer het zaagblad zorgvuldig op barsten of beschadiging vóór en na elk gebruik. Vervang een gebarsten of beschadigd zaagblad onmiddellijk.
- Voortgezet gebruik met een bot zaagblad kan gevaarlijke terugslag en/of overbelasting van de motor veroorzaken. Vervang door een nieuw zaagblad zodra u vaststelt dat het zaagblad niet meer goed snijdt.
- **Zaagbladen met hardmetalen tanden voor metaal-zagen kunnen niet opnieuw gescherpt worden.**

Vervangen van de koolborstels (Fig. 15 en 16)

Verwijder en controleer regelmatig de koolborstels. Vervang de koolborstels wanneer ze tot aan de limietmarkering versleten zijn. Houd de koolborstels schoon zodat ze goed in de houders glijden. Beide koolborstels dienen tegelijkertijd te worden vervangen. Gebruik uitsluitend identieke koolborstels.

Gebruik een schroevendraaier om de doppen van de koolborstelhouders te verwijderen. Haal de versleten borstels eruit, steek de nieuwe erin, en zet de doppen weer goed vast.

Om de VEILIGHEID en BETROUWBAARHEID van het product te handhaven, dienen alle reparaties en alle andere onderhoudswerkzaamheden of afstellingen te worden uitgevoerd door een erkend Makita Servicecentrum, en dat uitsluitend met gebruik van Makita vervangingsonderdelen.

OPTIONELE ACCESSOIRES

LET OP:

- Deze accessoires of hulpstukken worden aanbevolen voor gebruik met het Makita gereedschap dat in deze gebruiksaanwijzing is beschreven. Bij gebruik van andere accessoires of hulpstukken bestaat er gevaar voor persoonlijke verwonding. Gebruik de accessoires of hulpstukken uitsluitend voor hun bestemd doel.

Wenst u meer bijzonderheden over deze accessoires, neem dan contact op met het plaatselijke Makita servicecentrum.

- Trekgeleider (breedtegeleider)
- Veiligheidsbril
- Aanbevolen zaagbladen met hardmetalen tanden & afmetingen van het werkstuk

OPMERKING:

- Sommige onderdelen in deze lijst kunnen bij het gereedschap zijn meegeleverd als standaard-accessoires. Deze kunnen van land tot land verschillen.

Afmeting (mm)	Toepassingen													
	BLADMETAAL		C-TAPEIND		HOEKTAPEIND		METALEN TAPEIND		STALEN STAAF	PIJP			GEGOLFDE STAALPLAAT	
	t=1,5	t=3,0	50x100 t=1,6	45x90 t=3,2	50x50 t=4	50x50 t=6	t=0,56 25Ga	t=1,6 16Ga	Ø20	50x100 t=3,2	Ø25 t=1,2	Ø60 t=3,8	t=0-0,9	t=1,0-2,0
185x36T	✗	○	✗	○	○	○	○	✗	○	○	△	○	✗	✗
185x38T	△	○	△	○	○	○	○	△	○	○	○	○	✗	✗
185x48T	○	○	○	○	△	○	○	○	△	○	○	△	✗	△
185x70T	○	△	✗	✗	✗	✗	△	✗	✗	✗	✗	✗	○	△

005705 ○ Uitstekend ○ Goed △ Bevredigend ✗ Niet toepasselijk

ENH101-16

LET OP:

• Gebruik altijd zaagbladen met hardmetalen tanden die geschikt zijn voor uw werk. Gebruik de zaag niet voor het zagen van aluminium, hout, kunststoffen, beton, tegels, e.d.

• Zaagbladen met hardmetalen tanden voor metaalzaag kunnen niet opnieuw gescherpt worden.

ENG905-1

Geluidsniveau

De typisch, A-gewogen geluidsniveaus vastgesteld volgens EN60745:

Geluidsdrukniveau (L_{pA}): 89 dB (A)

Geluidsvermogeniveau (L_{WA}): 100 dB (A)

Onnauwkeurigheid (K): 3 dB (A)

Draag oorbeschermers

ENG900-1

Trilling

De totaalwaarde van de trillingen (triaxiale vectorsom) vastgesteld volgens EN60745:

Toepassing: zagen in metaal

Trillingsemisissie ($a_{h,M}$): 2,5 m/s² of lager

Onnauwkeurigheid (K): 1,5 m/s²

ENG901-1

- De opgegeven trillingsemisissiewaarde is gemeten volgens de standaardtestmethode en kan worden gebruikt om dit gereedschap te vergelijken met andere gereedschappen.
- De opgegeven trillingsemisissiewaarde kan ook worden gebruikt voor een beoordeling vooraf van de blootstelling.

WAARSCHUWING:

- De trillingsemisissie tijdens het gebruik van het elektrisch gereedschap in de praktijk kan verschillen van de opgegeven trillingsemisissiewaarde afhankelijk van de manier waarop het gereedschap wordt gebruikt.
- Zorg ervoor dat veiligheidsmaatregelen worden getroffen ter bescherming van de operator die zijn gebaseerd op een schatting van de blootstelling onder praktijkomstandigheden (rekening houdend met alle fasen van de bedrijfscyclus, zoals de tijdsduur gedurende welke het gereedschap is uitgeschakeld en stationair draait, naast de ingeschakelde tijdsduur).

Alleen voor Europese landen

EU-Verklaring van Conformiteit

Wij, Makita Corporation, als de verantwoordelijke fabrikant, verklaren dat de volgende Makita-machine(s):

Aanduiding van de machine:

Metaalzaag

Modelnr./ Type: 4131

in serie zijn geproduceerd en

Voldoen aan de volgende Europese richtlijnen:

2006/42/EC

En zijn gefabriceerd in overeenstemming met de volgende normen of genormaliseerde documenten: EN60745

De technische documentatie wordt bewaard door:

Makita International Europe Ltd.

Technische afdeling,

Michigan Drive, Tongwell,

Milton Keynes, Bucks MK15 8JD, Engeland

30.1.2009



Tomoyasu Kato

Directeur

Makita Corporation

3-11-8, Sumiyoshi-cho,

Anjo, Aichi, 446-8502, JAPAN

Explicación de los dibujos

1 Palanca	9 Bloqueo del eje	16 Guía lateral (regla guía)
2 Guía de profundidad	10 Perno de cabeza hueca hexagonal	17 Tornillo
3 Línea de corte	11 Brida exterior	18 Pieza de trabajo
4 Gatillo interruptor	12 Disco de carburo	19 Mirilla
5 Botón de desbloqueo	13 Brida interior	20 Manivela retráctil
6 Cubierta contra el polvo	14 Ranura	21 Marca de límite
7 Perilla	15 Nervadura	22 Destornillador
8 Llave hexagonal		23 Tapa de portaescobillas

ESPECIFICACIONES

GEB030-5

Modelo	4131
Diámetro del disco	185 mm
Capacidad de corte máxima	63 mm
Velocidad en vacío (min ⁻¹)	3.500
Longitud total	358 mm
Peso neto	5,1 kg
Clase de seguridad	II/III

- Debido a un programa continuo de investigación y desarrollo, las especificaciones aquí dadas están sujetas a cambios sin previo aviso.
- Las especificaciones pueden ser diferentes de país a país.
- Peso de acuerdo con el procedimiento EPTA 01/2003

ENE022-1

Uso previsto

La herramienta ha sido prevista para cortar acero suave.

ENF002-2

Alimentación

La herramienta solamente debe ser conectada a una fuente de alimentación de la misma tensión que la indicada en la placa de características, y solamente puede ser utilizada con alimentación de CA monofásica. La herramienta está doblemente aislada y, por consiguiente, también puede utilizarse con tomas de corriente sin conductor de puesta a tierra.

GEA010-1

Advertencias de seguridad generales para herramientas eléctricas

⚠ ¡ADVERTENCIA! Lea todas las advertencias de seguridad y todas las instrucciones. Si no sigue todas las advertencias e instrucciones podrá ocasionar una descarga eléctrica, un incendio y/o heridas graves.

Guarde todas las advertencias e instrucciones para futuras referencias.

ADVERTENCIAS DE SEGURIDAD PARA EL CORTADOR DE METAL

Procedimientos de corte

1. **⚠ PELIGRO: Mantenga las manos alejadas del área de corte y del disco. Mantenga su segunda mano sobre el mango auxiliar o sobre el alojamiento del motor.** Si ambas manos están sujetando la sierra, no habrá peligro de que el disco las corte.
2. **No se ponga debajo de la pieza de trabajo.** El protector de disco no podrá protegerle del disco debajo de la pieza de trabajo.
3. **Ajuste la profundidad de corte según el grosor de la pieza de trabajo.** Por debajo de la pieza de trabajo deberá sobresalir menos de un diente completo del disco.
4. **No sujete nunca con las manos ni entre las piernas la pieza que esté cortando. Sujete la pieza de trabajo en una plataforma estable.** Es muy importante que apoye la pieza de trabajo debidamente para minimizar la exposición del cuerpo, el estancamiento del disco, o la pérdida de control.
5. **Cuando realice una operación en la que la herramienta de corte pueda entrar en contacto con cableado oculto o con su propio cable, sujete la herramienta eléctrica por las superficies de aislamiento aisladas solamente.** El contacto con un cable con corriente también hará que la corriente circule por las partes metálicas expuestas de la herramienta eléctrica y podrá dar al operario una descarga eléctrica.
6. **Cuando haga cortes al hilo, utilice siempre una guía lateral o un listón recto.** Esto mejora la precisión del corte y reduce la posibilidad de que el disco se estanque.
7. **Utilice siempre discos con agujero central de tamaño y forma correctos (diamante y redondo).** Los discos cuyo agujero central no coincida con el dispositivo de montaje de la sierra girarán excéntricamente y ocasionarán la pérdida del control.
8. **No utilice nunca arandelas o pernos de disco dañados o incorrectos.** Las arandelas y el perno de disco han sido diseñados especialmente para su herramienta, y con ellos se logran un rendimiento y seguridad de operación óptimos.

Causas de los retrocesos bruscos y advertencias relacionadas

- El retroceso brusco es una reacción repentina debida a un aprisionamiento, estancamiento o desalineación del disco, que hace que la sierra se levante y salga incontrolada de la pieza de trabajo hacia el operario;

- Cuando el disco queda aprisionado o estancado firmemente debido al cierre de la hendidura, el disco se inmoviliza y la reacción del motor empuja la herramienta bruscamente hacia atrás contra el operario;
- Si el disco se retuerce o desalinea en el corte, los dientes del borde trasero del disco pueden morder la superficie de la pieza de trabajo haciendo que el disco se salga de la hendidura y salte hacia atrás contra el operario.

Los retrocesos bruscos se deben a un mal uso de la sierra y/o a procedimientos o condiciones de trabajo incorrectos y pueden evitarse tomando las precauciones indicadas a continuación.

9. **Sujete la sierra firmemente con ambas manos y posicione los brazos de forma que pueda resistir las fuerzas de un retroceso brusco. Posicione su cuerpo a uno de los costados del disco, pero no en línea con el disco.** Los retrocesos bruscos pueden hacer que la sierra salte hacia atrás, pero las fuerzas de los retrocesos bruscos las puede controlar el operario tomando las debidas precauciones.
10. **Cuando note que el disco se estanca, o cuando quiera interrumpir un corte por cualquier razón, suelte el gatillo y mantenga la sierra inmóvil en el material hasta que el disco se pare completamente. No intente nunca extraer el disco de la pieza de trabajo ni tirar de la sierra hacia atrás mientras el disco esté moviéndose porque podrá ocasionar un retroceso brusco.** Investigue y tome medidas correctivas para eliminar la causa del estancamiento del disco.
11. **Cuando vaya a poner otra vez en marcha la sierra en la pieza de trabajo, centre el disco en la hendidura y compruebe que los dientes del mismo no estén enganchados en el material.** Si el disco está atascado, podrá salirse de la pieza de trabajo o retroceder bruscamente al poner de nuevo en marcha la sierra.
12. **Apoye los paneles grandes para minimizar el riesgo de que el disco se estanque y retroceda bruscamente.** Los paneles grandes tienden a combarse con su propio peso. Deberá poner apoyos debajo del panel a ambos lados, cerca de la línea de corte y cerca de los bordes del panel.
13. **No utilice discos desafilados o dañados.** Los discos desafilados o mal ajustados producen una hendidura estrecha que ocasiona excesiva fricción, estancamiento del disco y retrocesos bruscos.
14. **Las palancas de fijación de los ajustes de profundidad y de bisel del disco deben ser apretadas y sujetadas antes de realizar el corte.** Si el ajuste del disco cambia durante el corte, podrá ocasionar un estancamiento y retroceso brusco.
15. **Extreme las precauciones cuando sierre en paredes existentes u otras áreas ciegas.** La parte sobresaliente del disco podrá cortar objetos que pueden ocasionar un retroceso brusco.

Función del protector inferior

16. **Compruebe el protector inferior para confirmar que se cierra debidamente antes de cada uso. No utilice la sierra si el protector inferior no se mueve libremente y se cierra instantáneamente. No sujete ni ate el protector inferior en la posición abierta.** Si deja caer accidentalmente la sierra, el protector inferior podrá doblarse. Levante el protector inferior con la palanca retráctil y asegúrese de que se mueve libremente y que no toca el disco ni ninguna otra parte, en todos los ángulos y profundidades de corte.
17. **Compruebe el funcionamiento del resorte del protector inferior. Si el protector de disco y el resorte no funcionan debidamente, deberá arreglarlos antes de utilizar la herramienta.** El protector inferior podrá funcionar lentamente debido a partes dañadas y a acumulaciones pegajosas o de residuos.
18. **El protector inferior puede retraerse manualmente sólo para cortes especiales, tales como “cortes por hundimiento” y “cortes compuestos”.** Levante el protector inferior con la manivela retráctil, y tan pronto como el disco entre en el material, deberá liberarse el protector inferior. Para todos los demás cortes, el protector inferior deberá funcionar automáticamente.
19. **Antes de dejar la sierra en el banco o en el suelo, observe siempre que el protector inferior esté cubriendo el disco.** Un disco desprotegido, girando por inercia, hará que la sierra se desplace hacia atrás, cortando todo lo que encuentre a su paso. Tenga presente el tiempo que el disco tarda en pararse después de soltar el interruptor.
20. **Para comprobar el protector inferior, ábralo con la mano, después suéltelo y observe que se cierra. Compruebe también para asegurarse de que la manivela retráctil no toca la carcasa de la herramienta.** El dejar el disco expuesto es MUY PELIGROSO y puede acarrear heridas personales graves.

Advertencias de seguridad adicionales

21. **No pare el disco haciendo presión lateral en el disco.**
22. **PELIGRO:**
No intente retirar material cortado cuando el disco esté moviéndose.
PRECAUCIÓN:
Los discos siguen girando por inercia después de apagar la herramienta.
23. **Ponga la porción más ancha de la base de la sierra en la parte de la pieza de trabajo que esté solidamente apoyada, no en la sección que caerá cuando se haga el corte.**
24. **No intente nunca hacer un corte con la herramienta sujeta al revés en un tornillo de banco. Es sumamente peligroso y puede ocasionar graves accidentes.**
25. **Póngase gafas de seguridad y protección para los oídos durante la operación.**
26. **No utilice ningún disco abrasivo.**

27. Utilice solamente discos con el diámetro que está marcado en la herramienta o especificado en el manual. La utilización de un disco de tamaño incorrecto podrá afectar a la protección apropiada del disco o a la operación del protector lo que podría resultar en heridas personales graves.

GUARDE ESTAS INSTRUCCIONES.

ADVERTENCIA:

NO deje que la comodidad o familiaridad con el producto (a base de utilizarlo repetidamente) sustituya la estricta observancia de las normas de seguridad para el producto en cuestión. El MAL USO o el no seguir las normas de seguridad establecidas en este manual de instrucciones podrá ocasionar graves heridas personales.

DESCRIPCIÓN FUNCIONAL

PRECAUCIÓN:

- Cerciórese siempre de que la herramienta está apagada y desenchufada antes de ajustar la herramienta o comprobar alguna de sus funciones.

Ajuste de la profundidad de corte (Fig. 1)

Afloje la palanca de la guía de profundidad y mueva la base hacia arriba o hacia abajo. En la profundidad de corte deseada, fije la base apretando la palanca.

PRECAUCIÓN:

- Después de ajustar la profundidad de corte, apriete siempre la palanca firmemente.

Guía visual (Fig. 2)

Cuando corte, alinee la posición A de la parte delantera de la base con la línea de corte marcada en la pieza de trabajo.

Accionamiento del interruptor

PRECAUCIÓN:

- Antes de enchufar la herramienta, compruebe siempre para cerciorarse de que el gatillo interruptor se acciona debidamente y que vuelve a la posición "OFF" cuando lo suelta.

Para herramienta con botón de desbloqueo (Fig. 3)

Para evitar que el gatillo pueda accionarse accidentalmente, se ha provisto un botón de desbloqueo.

Para poner en marcha la herramienta, presione hacia dentro el botón de desbloqueo y apriete el gatillo interruptor. Suelte el gatillo interruptor para parar.

PRECAUCIÓN:

- No apriete el gatillo interruptor con fuerza sin presionar el botón de desbloqueo. Ello podrá ocasionar la rotura del interruptor.

Para herramienta sin botón de desbloqueo (Fig. 4)

Para poner en marcha la herramienta, simplemente apriete el gatillo interruptor. Suelte el gatillo interruptor para parar.

MONTAJE

PRECAUCIÓN:

- Cerciórese siempre de que la herramienta está apagada y desenchufada antes de realizar cualquier trabajo en ella.

Instalación o desmontaje del disco

PRECAUCIÓN:

- Utilice solamente la llave Makita provista para instalar o desmontar el disco. De lo contrario, podrá producirse apretamiento excesivo o insuficiente del perno hexagonal. Esto podría ocasionar graves heridas al operario.
- No toque el disco con las manos desnudas inmediatamente después de cortar; podría estar muy caliente y quemarle la piel. Póngase guantes cuando vaya a desmontar un disco que esté caliente.

Para desmontar el disco, primero empuje y gire el pomo que sujeta la cubierta contra el polvo hacia la derecha hasta el símbolo ○ y quite la cubierta contra el polvo. Presione el bloqueo del eje de forma que el disco no pueda girar y afloje el perno hexagonal girándolo hacia la izquierda con la llave hexagonal. Después quite la brida exterior y el disco. (Fig. 5 y 6)

Para instalar el disco, siga el procedimiento de desmontaje a la inversa. Instale siempre el disco de forma que la flecha del disco quede orientada en la misma dirección que la flecha de la caja del disco.

ASEGURESE DE APRETAR EL PERNO HEXAGONAL FIRMEAMENTE. (Fig. 7)

Después de instalar el disco, vuelva a poner la cubierta contra el polvo. Deslice la cubierta contra el polvo con cuidado de forma que la ranura de su parte delantera encaje en la nervadura de la caja del disco. Asegúrese de que la cubierta contra el polvo encaje debidamente y después empuje gire el pomo hacia la izquierda hasta el símbolo ●. (Fig. 8)

Guía lateral (regla guía) (Accesorio) (Fig. 9)

La útil guía lateral (regla guía) le permite hacer cortes rectos extra-precisos. Simplemente saque la guía lateral deslizándola hasta ajustarla contra el costado de la pieza de trabajo y sujétela en posición con el tornillo de fijación de la parte delantera de la base. Con ella también se pueden hacer cortes repetidos de anchura uniforme.

OPERACIÓN

PRECAUCIÓN:

- No retuerza ni fuerce la herramienta en el corte. Ello podrá ocasionar una sobrecarga al motor y/o un peligro retroceso brusco, resultando en graves heridas al operario.

Sujete la herramienta firmemente con ambas manos. Coloque la placa base sobre la pieza de trabajo a cortar sin que el disco la esté tocando. Después encienda la herramienta y espere hasta que adquiera plena velocidad. Mueva la herramienta hacia delante sobre la superficie de la pieza de trabajo, manteniéndola plana y avanzando suavemente hasta completar el corte. Mantenga recta la línea de corte y su velocidad de avance uniforme. (Fig. 10)

La mirilla de la base facilita la comprobación de la distancia entre el borde delantero del disco y la pieza de trabajo siempre que el disco está ajustado a la profundidad de corte máxima. (Fig. 11)

NOTA:

- Cuando haga cortes en inglete, etc., algunas veces el protector inferior no se moverá fácilmente. En tal caso, utilice la manivela retráctil para subir el protector inferior al iniciar el corte y suelte la manivela retráctil en cuanto el disco comience a penetrar el material. (Fig. 12)

PRECAUCIÓN:

- No utilice un disco deformado o agrietado. Reemplácelo con uno nuevo.
- No apile materiales cuando los corte.
- No corte acero templado, acero inoxidable, aluminio, madera, plásticos, cemento, baldosas, etc. **Corte solamente acero suave.**
- No toque el disco, la pieza de trabajo o las virutas del corte con las manos desnudas inmediatamente después de cortar; podrían estar muy calientes y quemarle la piel.
- **Utilice siempre discos de carburo apropiados para su trabajo.** La utilización de discos no apropiados podrá ocasionar un mal rendimiento de corte y/o presentar un riesgo de sufrir heridas personales.

Para retirar las virutas

PRECAUCIÓN:

- Asegúrese siempre de que la herramienta esté apagada y desenchufada antes de quitar o instalar la cubierta contra el polvo.
- La cubierta contra el polvo podrá calentarse debido a las virutas calientes. No toque las virutas de corte ni la cubierta contra el polvo con las manos desnudas.

Quando las virutas de corte sean visibles a través de la mirilla, retírelas. (Fig. 13)

Empuje y gire el pomo hacia la derecha hasta el símbolo ○ y quite la cubierta contra el polvo. Retire las virutas de corte acumuladas dentro de la cubierta contra el polvo. (Fig. 14)

PRECAUCIÓN:

- No ponga la herramienta al revés. Las virutas de corte acumuladas dentro de la cubierta contra el polvo podrán caerse de la cubierta contra el polvo.
- Maneje la cubierta contra el polvo con cuidado para que no se deforme o dañe.

MANTENIMIENTO

PRECAUCIÓN:

- Asegúrese siempre de que la herramienta esté desconectada y desenchufada antes de realizar ninguna inspección o mantenimiento.
- No utilice nunca gasolina, bencina, disolvente, alcohol o similares. Podría producir descoloración, deformación o grietas.

Inspección del disco

- Compruebe el disco cuidadosamente para ver si tiene grietas o daños antes y después de cada utilización. Reemplace el disco inmediatamente si está agrietado o dañado.
- Si continúa utilizando un disco desafilado podrá ocasionar un peligroso retroceso brusco y/o sobrecarga al motor. Reemplácelo con un disco nuevo en cuanto deje de cortar eficazmente.
- **Los discos de carburo para cortador de metal no se pueden afilar.**

Reemplazo de las escobillas de carbón (Fig. 15 y 16)

Extraiga e inspeccione las escobillas de carbón regularmente. Reemplácelas cuando se hayan desgastado hasta la marca límite. Mantenga las escobillas de carbón limpias de forma que entren libremente en los portaescobillas. Deberán reemplazarse ambas escobillas de carbón al mismo tiempo. Utilice únicamente escobillas de carbón idénticas.

Utilice un destornillador para quitar los tapones portaescobillas. Extraiga las escobillas desgastadas, inserte las nuevas y vuelva a colocar los tapones portaescobillas.

Para mantener la SEGURIDAD y la FIABILIDAD del producto, las reparaciones y cualquier otro mantenimiento o ajuste deberán ser realizados por los centros de servicio autorizado de Makita, siempre con piezas de repuesto de Makita.

ACCESORIOS OPCIONALES

PRECAUCIÓN:

- Estos accesorios o acoplamientos están recomendados para utilizar con su herramienta Makita especificada en este manual. El empleo de cualesquiera otros accesorios o acoplamientos conllevará un riesgo de sufrir heridas personales. Utilice los accesorios o acoplamientos solamente para su fin establecido.

Si necesita cualquier ayuda para más detalles en relación con estos accesorios, pregunte a su centro de servicio Makita local.

- Guía lateral (Regla guía)
- Gafas de seguridad
- Discos de carburo y gamas de piezas de trabajo recomendados

NOTA:

- Algunos elementos de la lista podrán estar incluidos en el paquete de la herramienta como accesorios estándar. Pueden variar de un país a otro.

Discos metálicos de carburo para muchas aplicaciones

Tamaño (mm)	Aplicaciones													
	CHAPA METÁLICA		ESPÁRRAGO-C		ESPÁRRAGO-ÁNGULO		ESPÁRRAGO DE ACERO		MOLDURAS	TUBO			CHAPA CORROGURADA	
	t=1,5	t=3,0	50x100 t=1,6	45x90 t=3,2	50x50 t=4	50x50 t=6	t=0,56 25Ga	t=1,6 16Ga	Ø20	50x100 t=3,2	Ø25 t=1,2	Ø60 t=3,8	t=0-0,9	t=1,0-2,0
185x36T	✗	○	✗	○	○	○	○	✗	○	○	△	○	✗	✗
185x38T	△	○	△	○	○	○	○	△	○	○	○	○	✗	✗
185x48T	○	○	○	○	△	○	○	○	△	○	○	△	✗	△
185x70T	○	△	✗	✗	✗	✗	△	✗	✗	✗	✗	✗	○	△

005705

○ Excelente ○ Bueno △ Regular ✗ No aplicable

ENH101-16

PRECAUCIÓN:

- Utilice siempre discos de carburo apropiados para su trabajo. No corte aluminio, madera, plásticos, cemento, baldosas, etc.
- Los discos de carburo para cortadores de metal no se afilan.

ENG905-1

Ruido

El nivel de ruido A-ponderado típico determinado de acuerdo con la norma EN60745:

Nivel de presión sonora (L_{pA}): 89 dB (A)
 Nivel de potencia sonora (L_{WA}): 100 dB (A)
 Error (K): 3 dB (A)

Póngase protectores en los oídos

ENG900-1

Vibración

El valor total de la vibración (suma de vectores triaxiales) determinado de acuerdo con la norma EN60745:

Modo tarea: corte de metal
 Emisión de vibración ($a_{h, M}$): 2,5 m/s² o menos
 Error (K): 1,5 m/s²

ENG901-1

- El valor de emisión de vibración declarado ha sido medido de acuerdo con el método de prueba estándar y se puede utilizar para comparar una herramienta con otra.
- El valor de emisión de vibración declarado también se puede utilizar en una valoración preliminar de exposición.

ADVERTENCIA:

- La emisión de vibración durante la utilización real de la herramienta eléctrica puede variar del valor de emisión declarado dependiendo de las formas en las que la herramienta sea utilizada.
- Asegúrese de identificar medidas de seguridad para proteger al operario que estén basadas en una estimación de la exposición en las condiciones reales de utilización (teniendo en cuenta todas las partes del ciclo operativo tal como las veces cuando la herramienta está apagada y cuando está funcionando en vacío además del tiempo de gatillo).

Para países europeos solamente

Declaración de conformidad CE

Makita Corporation como fabricante responsable declara que la(s) siguiente(s) máquina(s) de Makita:

Designación de máquina:
 Cortador de Metal
 Modelo N°/ Tipo: 4131
 son producidas en serie y

Cumplen con las directivas europeas siguientes:
 2006/42/EC

Y que están fabricadas de acuerdo con las normas o documentos normalizados siguientes:

EN60745

Los documentos técnicos los guarda:

Makita International Europe Ltd.
 Departamento técnico,
 Michigan Drive, Tongwell,
 Milton Keynes, Bucks MK15 8JD, Inglaterra

30.1.2009



Tomoyasu Kato
 Director

Makita Corporation
 3-11-8, Sumiyoshi-cho,
 Anjo, Aichi, 446-8502, JAPAN

Explicação geral

1 Alavanca	10 Parafuso com cabeça de encaixe hexagonal	16 Vedação para escarificação (Guia paralela)
2 Guia de profundidade	11 Falange exterior	17 Parafuso
3 Linha de corte	12 Lâmina de serra com pontas de carboneto	18 Peça de trabalho
4 Gatilho	13 Falange interior	19 Mira
5 Botão de segurança	14 Ranhura	20 Alavanca de retorno
6 Tampa do pó	15 Nervura	21 Marca limite
7 Botão		22 Chave de parafusos
8 Chave hexagonal		23 Tampa do porta escovas
9 Bloqueio do veio		

ESPECIFICAÇÕES

Modelo	4131
Diâmetro da lâmina	185 mm
Capacidade máx. de corte	63 mm
Velocidade em vazio (min ⁻¹)	3.500
Comprimento total	358 mm
Peso líquido	5,1 kg
Classe de segurança	□/II

- Devido ao nosso programa contínuo de pesquisa e desenvolvimento, as características indicadas neste documento estão sujeitas a alterações sem aviso prévio.
- As especificações podem diferir de país para país.
- Peso de acordo com o Procedimento 01/2003 da EPTA (European Power Tool Association)

ENE022-1

Utilização a que se destina

A ferramenta foi concebida para cortar aço macio.

ENF002-2

Alimentação

A ferramenta só deve ser ligada a uma fonte de alimentação com a mesma voltagem da indicada na placa de características e só funciona com alimentação CA monofásica. Tem um sistema de isolamento duplo e pode, por isso, utilizar tomadas sem ligação à terra.

GEA010-1

Avisos gerais de segurança para ferramentas eléctricas

⚠ AVISO! Leia todos os avisos de segurança e todas as instruções. O não cumprimento de todos os avisos e instruções pode originar choque eléctrico, incêndio e/ou ferimentos graves.

Guarde todos os avisos e instruções para futuras referências.

GE030-5

AVISOS DE SEGURANÇA PARA O CORTADOR DE METAL

Procedimentos de corte

1. **⚠ PERIGO: Mantenha as mãos afastadas da área de corte e da lâmina. Mantenha a outra mão na pega auxiliar ou na caixa do motor.** Se as duas mãos estiverem a pegar na serra, não podem ser cortadas pela lâmina.

2. **Não toque na parte debaixo da peça de trabalho.** O protector não o pode proteger da lâmina debaixo da peça de trabalho.
3. **Regule a profundidade do corte para a espessura da peça de trabalho.** Menos do que um dente completo da lâmina deve ser visível abaixo da peça de trabalho.
4. **Nunca agarre na peça a ser cortada com as mãos ou em cima das pernas. Prenda a peça de trabalho a uma superfície estável.** É importante suportar o trabalho correctamente para minimizar a exposição do corpo, encravamento da lâmina ou perda de controlo.
5. **Agarre na ferramenta eléctrica somente pelas partes isoladas quando executa uma operação em que a ferramenta de corte pode entrar em contacto com um fio escondido ou com o seu próprio cabo.** O contacto com um fio “vivo” também fará com as partes metálicas expostas da ferramenta fiquem “vivas” e podem causar choque eléctrico no operador.
6. **Quando escarifica use sempre uma vedação para escarificação ou uma guia recta.** Aumenta a precisão do corte e reduz a possibilidade da lâmina encravar.
7. **Utilize sempre lâminas com o tamanho correcto e forma (diamante versus redondo) dos orifícios de suporte.** Lâminas que não correspondam às especificações de montagem da serra trabalharão mal causando perda de controlo.
8. **Nunca use arruelas ou parafusos de lâmina estragados ou incorrectos.** As arruelas das lâminas e parafusos foram concebidos especialmente para a sua ferramenta, para rendimento óptimo e segurança do operador.

Causas de recuos e avisos relacionados

- Recuo é uma reacção súbita a uma lâmina da serra presa, entortada ou mal alinhada, que causa com que a serra descontrolada se eleve para fora da peça de trabalho em direcção ao operador.
- Quando a lâmina fica dobrada ou presa pelo fecho do corte, a lâmina estaca e a reacção do motor faz com que a ferramenta recue rapidamente para o operador.
- Se a lâmina ficar torcida ou desalinhada no corte, os dentes da extremidade posterior da lâmina podem escavar na superfície superior da peça de trabalho causando com que a lâmina suba do corte e salte para trás para o operador.

O recuo é o resultado de má utilização e/ou procedimentos ou condições de operação incorrectas e pode ser evitado tomando as precauções adequadas como indicado abaixo.

9. Mantenha a serra bem agarrada com as duas mãos e posicione os braços para resistir às forças de recuo. Posicione o seu corpo em qualquer dos lados da lâmina, mas não em linha com a lâmina. O recuo pode fazer com que a serra salte para trás, mas as forças de recuo podem ser controladas pelo operador, se tomar as precauções apropriadas.
10. Quando a lâmina está presa ou quando por qualquer razão interrompe um corte, solte o gatilho e agarre na serra sem se mexer no material até que a lâmina pare completamente. Nunca tente retirar a serra do trabalho ou puxar a serra para trás enquanto a lâmina está em movimento, pois pode ocorrer recuo. Investigue e tome as acções correctivas para eliminar a causa da lâmina ficar encravada.
11. Quando volta a ligar a serra numa peça de trabalho, centre a lâmina da serra no corte e confirme que os dentes da serra não estão presos no material. Se a lâmina da serra estiver encravada, pode saltar ou recuar da peça de trabalho quando liga a serra.
12. Suporte painéis grandes para minimizar o risco da lâmina ficar presa e recuar. Painéis grandes têm a tendência a esmagar com o seu próprio peso. Os suportes devem ser colocados debaixo do painel em ambos os lados, perto da linha de corte e perto da extremidade do painel.
13. Não utilize lâminas gastas ou estragadas. Lâminas não afiadas ou colocadas incorrectamente produzem um corte estreito causando fricção excessiva, encravamento da lâmina e recuo.
14. A profundidade da lâmina e as alavancas de bloqueio de regulação de bisel devem estar apertadas e presas antes de fazer o corte. Se a regulação da lâmina muda durante o corte, pode causar encravamento e recuo.
15. Tenha cuidado especialmente ao serrar em paredes existentes ou outras área desconhecidas. A lâmina saliente pode cortar objectos que podem causar recuo.

Função do resguardo inferior

16. Verifique se a protecção inferior fecha correctamente antes de cada utilização. Não funcione com a ferramenta se o resguardo inferior não se movimentar livremente e fechar instantaneamente. Nunca prenda a protecção inferior na posição de aberta. Se deixar cair a serra, o resguardo inferior pode ficar torto. Levante o resguardo inferior com a pega retractora e certifique-se de que se movimenta livremente e não toca na lâmina ou em qualquer outra parte, em todos os ângulos e profundidades de corte.
17. Verifique o funcionamento da mola do resguardo inferior. Se o protector e a mola não estiverem a funcionar correctamente, devem ser reparados imediatamente. O protector inferior poderá trabalhar lentamente devido a partes estragadas, depósitos pegajosos ou concentração de fragmentos.

18. O resguardo inferior pode ser retraído manualmente só para cortes especiais, como “cortes penetrantes” e “cortes compostos”. Levante o protector inferior com a pega de retracção e, assim que a lâmina penetrar no material, o protector inferior deve ser libertado. Para todos os outros tipos de serragens, o protector inferior deve funcionar automaticamente.
19. Certifique-se sempre de que o resguardo inferior está a cobrir a lâmina antes de colocar a serra na bancada ou no chão. Uma lâmina sem protecção, a rodar por inércia, fará com que a serra recue cortando tudo no seu caminho. Tenha cuidado com o tempo que demora para a lâmina parar depois de libertar o gatilho.
20. Para inspecção o resguardo inferior abra-o com a mão e veja como é que o resguardo fecha. Certifique-se também de que a pega retractora não toca na caixa da ferramenta. Deixar a lâmina exposta é MUITO PERIGOSO e pode originar danos pessoais sérios.

Avisos adicionais de segurança

21. Não pare as lâminas por pressão lateral na lâmina da serra.
22. PERIGO:
Não tente retirar material cortado quando a lâmina está em movimento.
PRECAUÇÃO:
As lâminas continuam a rodar depois de desligar.
23. Coloque a porção mais larga da base da serra na parte da peça de trabalho que está solidamente suportada, não a secção que cairá quando termina o corte.
24. Nunca tente cortar com a ferramenta fixa voltada ao contrário num torno. É extremamente perigoso e pode originar acidentes sérios.
25. Use óculos de segurança e protecção para os ouvidos durante a operação.
26. Não utilize discos abrasivos.
27. Utilize apenas uma lâmina de serra que tenha o diâmetro marcado na ferramenta ou especificado no manual. A utilização de uma lâmina de tamanho incorrecto pode afectar a protecção adequada da lâmina ou a operação de resguardo o que pode resultar em ferimentos pessoais graves.

GUARDE ESTAS INSTRUÇÕES.

AVISO:

NÃO permita que conforto ou familiaridade com o produto (adquirido com o uso repetido) substitua a aderência estrita às regras de segurança da ferramenta. **MÁ INTERPRETAÇÃO** ou não seguimento das regras de segurança estabelecidas neste manual de instruções pode causar danos pessoais sérios.

DESCRICÇÃO DO FUNCIONAMENTO

PRECAUÇÃO:

- Antes de efectuar qualquer inspecção ou ajuste na ferramenta, verifique sempre se desligou a ferramenta e retirou a ficha da tomada de corrente.

Regule a profundidade de corte (Fig. 1)

Solte a alavanca na guia de profundidade e desloque a base para cima ou para baixo. Na profundidade de corte desejada, prenda a base prendendo a alavanca.

PRECAUÇÃO:

- Depois de regular a profundidade de corte, prenda sempre seguramente a alavanca.

Pontos de mira (Fig. 2)

Quando corta, alinhe a posição A na frente da base com a sua linha de corte na peça de trabalho.

Ação do interruptor

PRECAUÇÃO:

- Antes de ligar a ferramenta à corrente, certifique-se sempre de que o gatilho funciona correctamente e volta para a posição "OFF" quando libertado.

Ferramenta com botão de segurança (Fig. 3)

Para evitar que o gatilho seja acidentalmente pressionado, existe um botão de segurança.

Para iniciar a ferramenta, empurre o botão de segurança e carregue no gatilho. Liberte o gatilho para parar.

PRECAUÇÃO:

- Não puxe o gatilho do interruptor com força sem premir o botão de segurança. Pode partir o interruptor.

Ferramenta sem botão de segurança (Fig. 4)

Para ligar a ferramenta, carregue simplesmente no gatilho do interruptor. Solte o gatilho do interruptor para parar.

MONTAGEM

PRECAUÇÃO:

- Antes de efectuar qualquer inspecção ou manutenção na ferramenta, desligue sempre a ferramenta e retire a ficha da tomada de corrente.

Instalar ou retirar a lâmina da serra

PRECAUÇÃO:

- Utilize só a chave da Makita fornecida para instalar ou retirar a lâmina. Se assim não for, pode causar aperto excessivo ou insuficiente do perno hexagonal. Pode causar danos sérios ao operador.
- Não toque na lâmina com as mãos imediatamente depois do corte pois pode estar extremamente quente e queimar-se. Use luvas quando retira uma lâmina quente.

Para retirar a lâmina, primeiro empurre e rode o botão que prende a cobertura do pó para a direita para o símbolo ○ e retire a cobertura do pó. Pressione o travão do eixo de modo a que a lâmina não se movimente e use a chave hexagonal para libertar o perno hexagonal para a esquerda. Em seguida retire a flange exterior e a lâmina. (Fig. 5 e 6)

Para instalar a lâmina, execute inversamente o procedimento de remoção. Instale sempre a lâmina de modo a que aponte para a mesma direcção que as setas na caixa da lâmina.

CERTIFIQUE-SE DE QUE APERTA O PERNO HEXAGONAL SEGURAMENTE. (Fig. 7)

Depois de instalar a lâmina, substitua a cobertura do pó. Deslize a cobertura do pó cuidadosamente de modo a que a ranhura na sua frente encaixe na nervura na caixa da lâmina. Certifique-se de que a cobertura do pó encaixa correctamente e então empurre e rode o botão para a esquerda para o símbolo ●. (Fig. 8)

Vedação para escarificação (Guia paralela) (Acessório) (Fig. 9)

A muito útil vedação para escarificação (guia paralela) permite-lhe a execução de cortes completamente direitos. Encoste simplesmente a guia ao lado da superfície de trabalho e fixe-a na posição com o grampo de parafuso na frente da base. Também possibilita a execução de cortes repetitivos com profundidade uniforme.

OPERAÇÃO

PRECAUÇÃO:

- Mantenha a ferramenta firme e sem forçar no corte. Pode causar sobrecarga do motor e/ou recuo perigoso resultando em danos sérios do operador.

Agarre na ferramenta firmemente com as duas mãos. Apoie a placa base na peça de trabalho a ser cortada sem que a lâmina faça contacto. Em seguida ligue e espera até que a lâmina atinja a velocidade máxima. Desloque a ferramenta para a frente sobre a peça de trabalho, mantendo-a nivelada e avançando suavemente até que termine o corte. Mantenha a sua linha de corte direita e a sua velocidade de avanço uniforme. (Fig. 10) A mira na base facilita a verificação da distância entre a extremidade da frente da lâmina da serra e da peça de trabalho sempre que a lâmina esteja regulada na profundidade máxima de corte. (Fig. 11)

NOTA:

- Quando executa cortes de esquadria, etc., às vezes o protector inferior não se desloca facilmente. Nessa altura, utilize a alavanca de retracção para levantar o protector inferior para iniciar o corte e assim que a lâmina entrar no material liberte a alavanca de retracção. (Fig. 12)

PRECAUÇÃO:

- Nunca utilize uma lâmina deformada ou rachada. Substitua-a por uma nova.
- Não empilhe o material quando o corta.
- Não corte aço reforçado, aço inoxidável, alumínio, madeira, plásticos, cimento, tijolos, etc. **Só corte aço mole.**
- Não toque na lâmina da serra, peça de trabalho ou aparas cortadas com as suas mãos imediatamente depois do corte. Podem estar extremamente quentes e queimar-se.
- **Utilize sempre lâminas de serra com pontas de carboneto apropriadas para o seu trabalho.** A utilização de lâminas não apropriadas pode originar fraco rendimento de corte e/ou apresentar o risco de danos pessoais.

Disposição de aparas

PRECAUÇÃO:

- Certifique-se sempre de que a ferramenta está desligada e a ficha retirada da tomada antes de retirar ou instalar a cobertura do pó.
- A cobertura do pó pode aquecer devido a aparas quentes. Não toque nas aparas cortadas ou na cobertura do pó com as suas mãos.

Quando as aparas cortadas são visíveis através da mira, deite-as fora. (Fig. 13)

Empurre e rode o botão para a direita para o símbolo ○ e retire a cobertura do pó. Deite fora as aparas acumuladas dentro da cobertura do pó. (Fig. 14)

PRECAUÇÃO:

- Não volte a ferramenta ao contrário. As aparas de corte acumuladas dentro da cobertura do pó podem cair da cobertura.
- Tenho cuidado com a cobertura do pó para que não fique deformada ou estragada.

MANUTENÇÃO

PRECAUÇÃO:

- Antes de efectuar qualquer inspecção ou manutenção, desligue sempre a ferramenta e retire a ficha da tomada de corrente.
- Nunca utilize gasolina, benzina, diluente, álcool ou produtos semelhantes. Pode ocorrer a descoloração, deformação ou rachaduras.

Inspeção da lâmina da serra

- Verifique cuidadosamente se a lâmina tem rachas ou está estragada antes de depois de cada utilização. Substitua imediatamente uma lâmina rachada ou estragada.
- Continuar a utilizar uma lâmina embotada pode causar um recuo perigoso e/ou sobrecarga do motor. Substitua por uma lâmina nova assim que deixar de cortar efectivamente.
- **Lâminas de serra com pontas de carboneto para cortador de metal não podem ser afiadas.**

Substituição das escovas de carvão (Fig. 15 e 16)

Retire e inspecione as escovas de carvão regularmente. Substitua-as quando estiverem gastas até à marca limite. Mantenha as escovas de carvão limpas e a deslizarem livremente nos suportes. As duas escovas de carvão devem ser substituídas ao mesmo tempo. Utilize só escovas de carvão idênticas.

Lâminas de metal com pontas de carboneto para muitas aplicações

	Aplicações													
	FOLHA DE METAL		REBITE C		REBITE DE ÂNGULO		REBITE DE METAL		REBAR	TUBO			FOLHA ONDULADA	
Tamanho (mm)	t=1,5	t=3,0	50x100 t=1,6	45x90 t=3,2	50x50 t=4	50x50 t=6	t=0,56 25Ga	t=1,6 16Ga	Ø20	50x100 t=3,2	Ø25 t=1,2	Ø60 t=3,8	t=0-0,9	t=1,0-2,0
185x36T	×	⊙	×	⊙	⊙	⊙	⊙	×	⊙	⊙	△	⊙	×	×
185x38T	△	○	△	○	○	⊙	⊙	△	○	○	⊙	○	×	×
185x48T	○	○	○	○	△	○	⊙	⊙	△	○	⊙	△	×	△
185x70T	⊙	△	×	×	×	×	△	×	×	×	×	×	⊙	△

005705

⊙ Excelente ○ Bom △ Razoável × Não se aplica

ENG905-1

PRECAUÇÃO:

- Utilize sempre lâminas de serra com pontas de carboneto apropriadas para o seu trabalho. Não corte alumínio, madeira, plásticos, cimento, tijolos, etc.
- Lâminas de serra com pontas de carboneto para serras de corte de metal não podem ser afiadas.

Utilize uma chave de parafusos para retirar as tampas do porta escovas. Tire as escovas gastas, coloque as novas e prenda as tampas do porta escovas.

Para manter a SEGURANÇA e FIABILIDADE, as reparações e outras acções de manutenção ou ajustes devem ser executados pelos Centros de assistência autorizados da Makita, utilizando sempre peças de substituição Makita.

ACESSÓRIOS OPCIONAIS

PRECAUÇÃO:

- Estes acessórios ou peças extra são recomendadas para utilização com a sua ferramenta Makita especificada neste manual. A utilização de qualquer outros acessórios ou peças extra podem apresentar o risco de ferimentos. Só utilize os acessórios ou peças extras para o fim a que são destinados.

Se necessitar de informações adicionais relativas a estes acessórios, solicite-as ao seu centro de assistência Makita.

- Vedação para escarificação (Guia paralela)
- Óculos de segurança
- Lâminas de serra com pontas de carboneto recomendadas e gama das peças de trabalho

NOTA:

- Alguns itens da lista podem estar incluídos na embalagem da ferramenta como acessórios padrão. Eles podem variar de país para país.

Ruído

A característica do nível de ruído A determinado de acordo com EN60745:

Nível de pressão de som (L_{pA}): 89 dB (A)

Nível do som (L_{WA}): 100 dB (A)

Variabilidade (K): 3 dB (A)

Utilize protectores para os ouvidos

Vibração

O valor total da vibração (soma vectorial tri-axial) determinado de acordo com EN60745:

Modo de funcionamento: corte de metal

Emissão de vibração ($a_{h,M}$): 2,5 m/s² ou inferior

Variabilidade (K): 1,5 m/s²

ENG901-1

- O valor da emissão de vibração indicado foi medido de acordo com o método de teste padrão e pode ser utilizado para comparar duas ferramentas.
- O valor da emissão de vibração indicado pode também ser utilizado na avaliação preliminar da exposição.

AVISO:

- A emissão de vibração durante a utilização real da ferramenta eléctrica pode diferir do valor de emissão indicado, dependendo das formas como a ferramenta é utilizada.
- Certifique-se de identificar as medidas de segurança para protecção do operador que sejam baseadas em uma estimativa de exposição em condições reais de utilização (considerando todas as partes do ciclo de operação, tal como quando a ferramenta está desligada e quando está a funcionar em marcha lenta além do tempo de accionamento).

ENH101-16

Só para países Europeus**Declaração de conformidade CE**

Nós, a Makita Corporation, fabricante responsável, declaramos que a(s) seguinte(s) ferramenta(s) Makita:

Designação da ferramenta:

Cortador de metal

Modelos n.º/ Tipo: 4131

são de produção de série e

Em conformidade com as seguintes directivas europeias:

2006/42/EC

E estão fabricados de acordo com as seguintes normas ou documentos normativos:

EN60745

A documentação técnica é mantida pela:

Makita International Europe Ltd.

Departamento técnico,

Michigan Drive, Tongwell,

Milton Keynes, Bucks MK15 8JD, Inglaterra

30.1.2009



Tomoyasu Kato

Director

Makita Corporation

3-11-8, Sumiyoshi-cho,

Anjo, Aichi, 446-8502, JAPAN

Illustrationsoversigt

1 Arm	10 Skruer med indvendig sekskant	19 Kontrolrude
2 Dybdemåler	11 Udvendig flange	20 Tilbagetrækningsarm
3 Skærelinie	12 Savklinge med hårdmetalskær	21 Slidgrænse
4 Start/stop-kontakt	13 Indvendig flange	22 Skruetrækker
5 Låseknop	14 Åbning	23 Kulholderdæksel
6 Støvdæksel	15 Ribbe	
7 Greb	16 Parallellanslag (føringslineal)	
8 Sekskantnøgle	17 Skruer	
9 Skaftlås	18 Arbejdsstykke	

SPECIFIKATIONER

Model	4131
Klangediameter	185 mm
Maks. skærekapacitet	63 mm
Ubelastet hastighed (min ⁻¹)	3 500
Længde	358 mm
Vægt	5,1 kg
Sikkerhedsklasse	II/III

- På grund af vores kontinuerlige forskningsprogrammer og udvikling, kan hosstående specifikationer blive ændret uden varsel.
- Specifikationer kan variere fra land til land.
- Vægt i henhold til EPTA-Procedure 01/2003

ENE022-1

Tilslået anvendelse

Maskinen er beregnet til skæring i blødt stål.

ENF002-2

Strømforsyning

Maskinen må kun tilsluttes en strømforsyning med den samme spænding, som den er angivet på typeskiltet, og kan kun anvendes med enkeltfaset vekselstrømforsyning. Den er dobbeltisoleret og kan derfor også anvendes fra kontakter uden jordledning.

GEA010-1

Almindelige sikkerhedsregler for el-værktøj

⚠ ADVARSEL! Læs alle sikkerhedsadvarsler og alle sikkerhedsinstruktioner. Hvis nedenstående advarsler og instruktioner ikke overholdes, kan resultatet blive elektrisk stød, brand og/eller alvorlig personskade.

Gem alle advarsler og instruktioner til fremtidig reference.

GEB030-5

SIKKERHEDSADVARSLER FOR METALSKÆREMASKINE

Fremgangsmåde for skæring

1. **⚠ FARE: Hold hænderne på god afstand af savestedet og klingens. Hold den anden hånd på hjælpehåndtaget eller motorhuset.** Hvis De holder saven med begge hænder, kan klingens ikke komme til at skære i dem.
2. **Ræk ikke ind under arbejdsstykket.** Afskærmningen kan ikke beskytte dig mod klingens under arbejdsstykket.

3. **Indstil skæredybden til arbejdsstykkets dybde.** Mindre end en hel tand på klingens bør være synlig under arbejdsstykket.
4. **Hold aldrig det arbejdsstykke, som skæres, i hænderne eller i skødet. Fastgør altid arbejdsstykket på en stabil flade.** Det er vigtigt at understøtte arbejdsstykket ordentligt, således at risiko for tilskadekomst, binding af klingens og tab af kontrol over maskinen mindskes så meget som muligt.
5. **Hold kun maskinen i dens isolerede grebflader, når De udfører et stykke arbejde, hvor maskinen kan komme i berøring med skjulte ledninger eller dens egen ledning.** Kontakt med en strømførende ledning vil bevirke, at synlige metaldele på maskinen bliver strømførende, hvorved operatøren kan få stød.
6. **Ved kløvning skal der altid anvendes en kløvningsskærmning eller en lige kantafskærmning.** Dette vil forbedre nøjagtigheden af skæringen og reducere risikoen for, at klingens sætter sig fast.
7. **Anvend altid klinger med korrekt størrelse og form af skaft (diamant versus rund).** Klingens, som ikke passer til savens monteringsdele vil køre excentrisk, hvilken vil medføre tab af herredømmet over maskinen.
8. **Anvend aldrig beskadigede eller forkerte spændeskiver og bolte.** Klinge-slutteskiverne og bolten er specielt fremstillet til maskinen og til optimal ydelse og en sikkerhedsmæssig forsvarlig anvendelse.

Årsager til tilbageslag og relaterede advarsler

- Tilbageslag er en pludselig reaktion på en fastklemt, bundet eller fejlløst savklinge, som bevirker, at en ukontrolleret sav løftes op og ud af arbejdsstykket i retning mod operatøren;
- Hvis klingens er fastklemt eller bundet i den lukkede skærefuge, vil klingens stoppe og motorreaktionen vil drive maskinen mod operatøren med stor hastighed;
- Hvis klingens bøjes eller ikke sidder lige i skærefugen, kan tænderne på bagkanten bore sig ind i arbejdsstykkets topflade, hvilket kan bevirke, at klingens går ud af skærefugen og springer tilbage mod operatøren.

Tilbageslag er et resultat af forkert anvendelse af savens/eller forkert fremgangsmåde for anvendelse eller tilstande og kan undgås ved at man tager de rigtige forholdsregler som vist herunder.

9. **Oprethold et fast greb med begge hænder på saven og hold armene således, at tilbageslagskraften modvirkes. Stil dig på begge sider af klingens, ikke i forlængelse af den.** Tilbageslag kan bevirke, at saven springer bagud, men tilbageslagskraften kan kontrolleres af operatøren, hvis de rigtige forholdsregler foretages.
10. **Hvis klingens binder eller hvis du af en eller anden grund afbryder en skæring, skal du frigøre start/stop-kontakten og holde maskinen ubevægelig i materialet, indtil klingens er helt stoppet. Forsøg aldrig at fjerne maskinen fra arbejdsstykket eller at trække maskinen bagud, mens klingens er i bevægelse, da dette kan resultere i tilbageslag.** Find årsagen til at klingens binder og træf de forholdsregler, der er nødvendige til at fjerne årsagen til at klingens binder.
11. **Når du starter maskinen i arbejdsstykket igen, skal du centrere savklingen i skærefugen og kontrollere, at savtænderne ikke sidder i materialet.** Hvis savklingen sidder i materialet, kan resultatet blive tilbageslag fra arbejdsstykket, når maskinen startes igen.
12. **Anvend store plader for at minimere risikoen for, at klingens klemmes fast og tilbageslag.** Store plader har tendens til at synke sammen under deres egen vægt. Pladerne skal understøttes på begge sider i nærheden af skærelinien og pladekanten.
13. **Anvend ikke sløve klinger eller klinger, der er beskadigede.** Uskarpe eller fejlagtigt indstillede klinger frembringer en smal skærefuge, hvilket bevirker, at skærefriktionen bliver for stor, at klingens binder og at der opstår tilbageslag.
14. **Låsearmene til klinedybde og skrånit skal være stramme og fastlåste, inden en skæring udføres.** Hvis klingens position ændres under skæringen, kan det resultere i at klingens binder og medføre tilbageslag.
15. **Vær særlig påpasselig ved savning i eksisterende vægge eller andre blinde områder.** Den fremstikkende klinge kan komme til at skære i genstande, hvilket kan give tilbageslag.

Funktion af nederste beskyttelsesskærm

16. **Kontroller, at den nedre afskærmning er ordentlig lukket inden hver brug. Anvend ikke saven, hvis den nederste beskyttelsesskærm ikke bevæger sig frit og lukker med det samme. Man må aldrig fastspænde eller binde den nedre afskærmning i en åben stilling.** Hvis saven ved et uheld tabes, kan den nederste beskyttelsesskærm blive bøjet. Hæv den nederste beskyttelsesskærm med tilbagetrækningshåndtaget og kontroller, at den bevæger sig frit og ikke kommer i berøring med klingens eller andre dele i alle vinkler og skæredybder.
17. **Kontroller den nederste skærmfjeders funktion. Hvis afskærmningen og fjederen ikke fungerer korrekt, skal de serviceres inden brug.** Den nedre afskærmning kan fungere dårligt på grund af beskadigede dele, gummiagtig aflejring eller opbygning af affald på den.

18. **Den nederste beskyttelsesskærm kan trækkes tilbage manuelt for specielle skæringer, som f.eks. "stikskæringer" og "miterskæringer". Hæv den nedre afskærmning ved at trække tilbagetrækningsarmen tilbage, og så snart klingens går ind i materialet, skal den nedre afskærmning frigøres.** Ved al anden savning bør den nedre afskærmning fungere automatisk.
19. **Sørg altid for, at den nederste beskyttelsesskærm dækker klingens, inden saven anbringes på bænk eller gulv.** En ubeskyttet, roterende klinge vil bevirke, at saven bevæger sig bagud og skærer i alt, hvad der er i dens bane. Vær opmærksom på den tid, det tager for klingens at stoppe, efter at start/stop-knappen er udløst.
20. **For at kontrollere den nederste beskyttelsesskærm, skal man åbne den med hånden og derefter slippe den og bekræfte lukningen af skærmen.** Kontroller ligeledes, at tilbagetrækningshåndtaget ikke kommer i berøring med maskinhuset. At efterlade klingens synlig kan være MEGET FARLIGT og føre til alvorlig personskade.

Supplerende sikkerhedsforskrifter

21. **Lad være med at stoppe klingerne med et sidelæns tryk på savklingen.**
22. **FARE:**
Forsøg ikke at fjerne afskåret materiale, mens klingens er i bevægelse.
FORSIGTIG:
Klingerne vedbliver at være i bevægelse, efter maskinen er afbrudt.
23. **Anbring den bedste del af savbasen på den del af arbejdsstykket, som er solidt understøttet, ikke på den del, som vil falde af, når skæringen er udført.**
24. **Forsøg aldrig at udføre en skæring med maskinen fastspændt på hovedet i en skruestik. Dette er overordentlig farligt og kan resultere i alvorlige ulykker.**
25. **Bær altid beskyttelsesbriller og høreværn under arbejdet.**
26. **Anvend ikke slibeskiver.**
27. **Brug kun savklingen med den diameter, som er angivet på maskinen eller er specificeret i brugsanvisningen.** Anvendelse af en klinge af forkert størrelse kan påvirke den korrekte beskyttelse af klingens eller klinge anvendelsen, hvilket kan resultere i alvorlig tilskadekomst.

GEM DISSE FORSKRIFTER.

ADVARSEL:

LAD IKKE bekvemmelighed eller kendskab til produktet (opnået gennem gentagen brug) forhindre, at sikkerhedsforskrifterne for produktet nøje overholdes. MISBRUG eller forsømmelse af at følge de i denne brugsvejledning givne sikkerhedsforskrifter kan føre til, at De kommer alvorligt til skade.

FUNKTIONSBESKRIVELSE

FORSIGTIG:

- Sørg altid for at maskinen er slukket og netstikket er trukket ud, før der udføres justering eller eftersyn af maskinens funktioner.

Indstilling af skæredybden (Fig. 1)

Løsn armen på dybdestyret og flyt basen op eller ned. Fastgør basen ved at stramme armen ved den ønskede skæredybde.

FORSIGTIG:

- Stram altid armen ordentligt, når skæredybden er indstillet.

Sigte (Fig. 2)

Anbring under skæring A-positionen på den forreste del af basen på linie med skærelinien på arbejdsstykket.

Anvendelse af start/stop-kontakt

FORSIGTIG:

- Inden maskinen sættes i forbindelse, skal det altid kontrolleres, at start/stop-kontakten aktiveres på korrekt vis og går tilbage til stilling "OFF", når den slippes.

For maskine med låseknap (Fig. 3)

Maskinen er udstyret med en låseknap, som forhindrer at start/stop-knappen utilsigtet trykkes ind.

For at starte maskinen, skal man trykke låseknapen ind og trykke start/stop-kontakten ind. Slip start/stop-knappen, når maskinen skal stoppes.

FORSIGTIG:

- Træk ikke kraftigt i start/stop-kontakten uden at trykke låseknapen ind. Dette kan forårsage brud på kontakten.

For maskine uden låseknap (Fig. 4)

For at starte maskinen, skal man ganske enkelt trykke på start/stop-kontakten. Slip start/stop-kontakten for at stoppe.

SAMLING

FORSIGTIG:

- Sørg altid for at maskinen er slukket, og netstikket er trukket ud, før der udføres noget arbejde på maskinen.

Montering og afmontering af savklingen

FORSIGTIG:

- Anvend kun den medfølgende Makita-nøgle til at montere og afmontere klingen. Forsømmelse af dette kan resultere i overstrømning eller utilstrækkelig stramning af sekskantbolten. Dette kan føre til, at operatøren komme alvorligt til skade.
- Rør ikke ved klingen med bare hænder umiddelbart efter skæringen. Den kan være overordentlig varm og kan give forbrændinger af huden. Tag et par handsker på, når du afmonterer en varm klinge.

For at afmontere klingen, skal man først trykke på og dreje den knap, som fastholder støvdækslet, i retningen med uret til ○-symbolet og derefter tage støvdækslet af. Tryk på skaftlåsen, så klingen ikke kan rotere og løsne derefter sekskantbolten i retningen mod uret med sekskantnøglen. Tag derefter den udvendige flange og klingen af. (Fig. 5 og 6)

Klingen monteres ved at man går frem i den modsatte rækkefølge af den, der anvendtes ved afmonteringen. Monter altid klingen således, at pilen på klingen peger i samme retning som pilen på klingehuset.

SØRG FOR AT SEKSKANTBOLTEN ER ORDENTLIGT STRAMMET. (Fig. 7)

Sæt støvdækslet på igen, når klingen er monteret. Skyd støvdækslet forsigtigt på, så åbningen på dets forende tilpasses klingehusets ribbe. Kontroller, at støvdækslet er ordentligt på plads, og tryk derefter på knappen og drej den i retningen mod uret mod ●-symbolet. (Fig. 8)

Parallelanslag (føringslineal) (tilbehør) (Fig. 9)

Det praktiske parallelanslag (føringslineal) gør det muligt at opnå særligt præcise, lige snit. Skyd ganske enkelt parallelanslaget op i tæt kontakt med siden på emnet, og fastgør derefter anslaget ved at stramme tilspændings-skruen på forsiden af grundpladen. Anslaget gør det også nemt at lave gentagne savninger med samme bredde.

ANVENDELSE

FORSIGTIG:

- Maskinen må aldrig vrikkes eller tvinges i skærefugen. Dette kan bevirke, at motoren overbelastes og/eller være årsag til farligt tilbageslag, som kan resultere i, at operatøren kommer alvorligt til skade.

Hold godt fast i maskinen med begge hænder. Indstil basepladen på det arbejdsstykke, som skal skæres, uden at klingen kommer i kontakt. Tænd derefter for maskinen og vent, indtil klingen er kommet op på fuld hastighed. Flyt maskinen hen over arbejdsstykket, idet den holdes vandret og føres jævnt fremad, indtil skæringen er fuldført. Sørg for, at skærelinien er lige og fremføringshastigheden ensartet. (Fig. 10)

Kontrolruden i basen gør det nemt at kontrollere afstanden mellem forkanten af savklingen og arbejdsstykket, når klingen er indstillet til den største skæredybde. (Fig. 11)

BEMÆRK:

- Når der udføres et geringsssnit etc., vil den nederste afskærmning ikke altid bevæge sig frit. Anvend i så tilfælde tilbagetrækningsarmen til at hæve den nederste afskærmning, så skæringen kan begynde, og frigør tilbagetrækningsarmen, så snart klingen går ind i materialet. (Fig. 12)

FORSIGTIG:

- Anvend ikke en deformeret eller revnet klinge. Skift den ud med en ny.
- Anbring ikke arbejdsstykker ovenpå hinanden, når de skæres.
- Skær ikke i hærdet stål, rustfrit stål, aluminium, træ, plastic, beton, teglsten etc. **Skær kun i blødt stål.**
- Rør ikke ved savklingen, arbejdsstykket eller skærespånerne med de bare hænder umiddelbart efter skæringen, da disse dele kan være meget varme og kan give forbrændinger.
- **Anvend altid savklinger med hårdmetalskær, som passer til arbejdet.** Anvendelse af forkerte savklinger kan resultere i en dårlig skæreydelse og/eller udgøre en risiko for tilskadecomst.

Bortskafning af spåner

FORSIGTIG:

- Sørg altid for, at maskinen er afbrudt og taget ud af forbindelse, inden støvdækslet afmonteres eller monteres.
- Støvdækslet kan blive varmt på grund af varme spåner. Rør ikke ved skærespånerne eller støvdækslet med de bare hænder.

Når skærespånerne kan ses gennem kontrolruden, skal de bortskaffes. (Fig. 13)

Tryk knappen ind og drej den i retningen med uret til symbolet ○ og tag støvdækslet af. Bortskaf de skærespåner, som har samlet sig indeni støvdækslet. (Fig. 14)

FORSIGTIG:

- Vend ikke maskinen på hovedet. Skærespånerne, som har samlet sig indeni støvdækslet, kan falde ud af støvdækslet.
- Hånder støvdækslet med forsigtighed, så det ikke bliver deformeret eller tager skade.

VEDLIGEHOLDELSE

FORSIGTIG:

- Sørg altid for at maskinen er slukket og netstikket er trukket ud, før der udføres eftersyn eller vedligeholdelse.
- Anvend aldrig benzin, rensebenzin, fortynder, alkohol og lignende. Resultatet kan blive misfarvning, deformation eller revner.

Inspektion af savklingen

- Inspicer klingen grundigt for revner eller andre skader inden og efter hver brug. En revnet eller beskadiget klinge skal straks skiftes ud med en ny.
- Fortsat anvendelse af en sløv klinge kan resultere i farligt tilbageslag og/eller overbelastning af motoren. Skift klingen ud med en ny, så snart den ikke mere skærer effektivt.
- **Savklinger med hårdmetalskær til metalskæremaskiner kan ikke skærpes igen.**

Udskiftning af kul (Fig. 15 og 16)

Udtag og efterse kullene med regelmæssige mellemrum. Udskift kullene, når de er slidt ned til slidmarkeringen. Hold kullene rene og i stand til frit at glide ind i holderne. Begge kul skal udskiftes parvist samtidigt. Anvend kun identiske kulbørster.

Benyt en skruetrækker til at afmontere kulholderdækslerne. Tag de slidte kul ud, isæt de nye og fastgør derefter kulholderdækslerne.

For at opretholde produktets SIKKERHED og PÅLIDELIGHED bør reparation, vedligeholdelse og justering kun udføres af et Makita Service Center med anvendelse af original Makita udskiftningsdele.

EKSTRAUDSTYR

FORSIGTIG:

- Det følgende tilbehør og ekstraudstyr er anbefalet til brug med Deres Makita maskine, der er beskrevet i denne brugsanvisning. Anvendelse af andet tilbehør eller ekstraudstyr kan udgøre en risiko for personskade. Anvend kun tilbehør og ekstraudstyr til det beskrevne formål.

Hvis De har behov for yderligere detaljer om dette tilbehør, bedes De kontakte Deres lokale Makita Service Center.

- Parallelslag (føringslineal)
- Sikkerhedsbriller
- Anbefalede savklinger med hårdmetalskær & arbejdstykke-dimensioner

BEMÆRK:

- Nogle ting på denne liste kan være inkluderet i værktøjspakken som standardtilbehør. Det kan være forskellige fra land til land.

Metalklinger med hårdmetalskær til mange forskellige anvendelser

Størrelse (mm)	Anvendelser													
	METALPLADE		C-NAGLE		VINKELNAGLE		METALNAGLE		PLADEMETAL	RØR			KORRUGEREDE STÅLPLADER	
	t=1,5	t=3,0	50x100 t=1,6	45x90 t=3,2	50x50 t=4	50x50 t=6	t=0,56 25Ga	t=1,6 16Ga	Ø20	50x100 t=3,2	Ø25 t=1,2	Ø60 t=3,8	t=0-0,9	t=1,0-2,0
185x36T	✗	○	✗	○	○	○	○	✗	○	○	△	○	✗	✗
185x38T	△	○	△	○	○	○	○	△	○	○	○	○	✗	✗
185x48T	○	○	○	○	△	○	○	○	△	○	○	△	✗	△
185x70T	○	△	✗	✗	✗	✗	△	✗	✗	✗	✗	✗	○	△

005705 ○ Fortrinlig ○ God △ Nogenlunde ✗ Ikke anvendelig

FORSIGTIG:

- Anvend altid savklinger med hårdmetalskær, som passer til det pågældende arbejde. Lad være med at skære aluminium, træ, plastic, beton, teglsten etc.
- Savklinger med hårdmetalskær til skæring i metal må ikke skærpes igen.

Lyd

Det typiske A-vægtede støjniveau bestemt i overensstemmelse med EN60745:

Lydtryksniveau (L_{pA}): 89 dB (A)
 Lydeffektniveau (L_{WA}): 100 dB (A)
 Usikkerhed (K): 3 dB (A)

Bær høreværn

ENG900-1

Vibration

Vibrations totalværdi (tre-aksial vektorsum) bestemt i overensstemmelse med EN60745:

Arbejdsindstilling: skæring af metal
 Vibrationsafgivelse ($a_{h, M}$): 2,5 m/s² eller mindre
 Usikkerhed (K): 1,5 m/s²

ENG901-1

- Den angivne vibrationsemissionsværdi er blevet målt i overensstemmelse med standardtestmetoden og kan anvendes til at sammenligne en maskine med en anden.
- Den angivne vibrationsemissionsværdi kan også anvendes i en præliminær eksponeringsvurdering.

ADVARSEL:

- Vibrationsemissionen under den faktiske anvendelse af maskinen kan være forskellig fra den erklærede emissionsværdi, afhængigt af den måde, hvorpå maskinen anvendes.
- Sørg for at identificere de sikkerhedsforskrifter til beskyttelse af operatøren, som er baseret på en vurdering af eksponering under de faktiske brugsforhold (med hensyntagen til alle dele i brugscyklen, som f.eks. de gange, hvor maskinen er slukket og når den kører i tomgang i tilgift til afbrydertiden).

ENH101-16

Kun for lande i Europa**EU-konformitetserklæring**

Vi, Makita Corporation, erklærer, som den ansvarlige fabrikant, at den (de) følgende Makita maskine(r):

Maskinens betegnelse:

Metalskæremaskine

Model nr./ Type: 4131

er af serieproduktion og

opfylder betingelserne i de følgende EU-direktiver:

2006/42/EC

og er fremstillet i overensstemmelse med de følgende standarder eller standardiserede dokumenter:

EN60745

Den tekniske dokumentation opbevares af:

Makita International Europe Ltd.

Teknisk afdeling,

Michigan Drive, Tongwell,

Milton Keynes, Bucks MK15 8JD, England

30.1.2009



Tomoyasu Kato

Direktør

Makita Corporation

3-11-8, Sumiyoshi-cho,

Anjo, Aichi, 446-8502, JAPAN

Περιγραφή γενικής άποψης

1 Μοχλός	10 Μπουλόνι εξάγωνης κοίλης κεφαλής	16 Φραγή ξειλώματος (κανόνας οδηγός)
2 Οδηγός βάθους	11 Εξωτερική φλάντζα	17 Βίδα
3 Γραμμή κοπής	12 Λάμα πριονιού με άκρο καρβιδίου	18 Αντικείμενο εργασίας
4 Σκανδάλη διακόπτης	13 Εσωτερική φλάντζα	19 Παράθυρο θέασης
5 Κουμπί κλειδώματος - OFF	14 Σχισμή	20 Μοχλός επαναφοράς
6 Κάλυμμα σκόνης	15 Προεξοχή	21 Σημάδι ορίου
7 Λαβή		22 Κατσαβίδι
8 Εξαγωνικό κλειδί		23 Καπάκι θήκης ψήκτρας
9 Ασφάλιση άξονα		

ΤΕΧΝΙΚΑ ΧΑΡΑΚΤΗΡΙΣΤΙΚΑ

GEB030-5

Μοντέλο	4131
Διάμετρος λάμας	185 χιλ
Μέγ. Ικανότητα κοπής	63 χιλ
Ταχύτητα χωρίς φορτίο (λεπ ⁻¹)	3.500
Ολικό μήκος	358 χιλ
Καθαρό βάρος	5,1 χγρ
Κατηγορία ασφάλειας	II/II

- Λόγω του συνεχιζόμενου προγράμματος έρευνας και ανάπτυξης, οι παρούσες προδιαγραφές υπόκεινται σε αλλαγή χωρίς προειδοποίηση.
- Τα τεχνικά χαρακτηριστικά μπορεί να διαφέρουν από χώρα σε χώρα.
- Βάρος σύμφωνα με διαδικασία ΕΡΤΑ 01/2003

ENE022-1

Προοριζόμενη χρήση

Το εργαλείο προορίζεται για κοπή μέτριου ατσαλιού.

ENF002-2

Ρευματοδότηση

Το εργαλείο πρέπει να συνδέεται μόνο σε ηλεκτρική παροχή της ίδιας τάσης με αυτήν που αναγράφεται στην πινακίδα ονομαστικών τιμών και μπορεί να λειτουργήσει μόνο με εναλλασσόμενο μονοφασικό ρεύμα. Τα εργαλεία αυτά έχουν διπλή μόνωση και κατά συνέπεια, μπορούν να συνδεθούν σε ακροδέκτες χωρίς σύρμα γείωσης.

GEA010-1

Γενικές προειδοποιήσεις ασφαλείας για το ηλεκτρικό εργαλείο

⚠️ ΠΡΟΕΙΔΟΠΟΙΗΣΗ Διαβάστε όλες τις προειδοποιήσεις ασφαλείας και όλες τις οδηγίες. Η μη τήρηση των προειδοποιήσεων και οδηγιών ενδέχεται να καταλήξει σε ηλεκτροπληξία, πυρκαγιά ή/και σοβαρό τραυματισμό.

Φυλάξτε όλες τις προειδοποιήσεις και τις οδηγίες για μελλοντική παραπομπή.

ΠΡΟΕΙΔΟΠΟΙΗΣΕΙΣ ΑΣΦΑΛΕΙΑΣ ΚΟΠΗΣ ΜΕΤΑΛΛΩΝ

Διαδικασίες κοπής

1. **⚠️ ΚΙΝΔΥΝΟΣ:** Κρατάτε τα χέρια σας μακριά από την περιοχή κοπής και την λάμα. Κρατάτε το άλλο σας χέρι πάνω στην βοηθητική λαβή, ή στο περίβλημα του κινητήρα. Εάν και τα δύο χέρια κρατάνε το πριόνι, δεν μπορεί να κοπούν από την λάμα.
2. **Μη βάζετε τα χέρια κάτω από το αντικείμενο εργασίας.** Το προστατευτικό δεν μπορεί να σας προστατεύσει από την λάμα κάτω από το αντικείμενο εργασίας.
3. **Ρυθμίστε το βάθος κοπής σύμφωνα με το πάχος του αντικειμένου εργασίας.** Τα δόντια της λάμας πρέπει να είναι ορατά κάτω από το αντικείμενο εργασίας λιγότερο από ένα πλήρες μήκος δοντιού της λάμας.
4. **Ποτέ μη κρατάτε το κομμάτι που κόβετε στα χέρια σας ή απέναντι στο πόδι σας. Ασφαλίστε το αντικείμενο εργασίας σε σταθερή βάση.** Είναι σημαντικό να υποστηρίξετε το αντικείμενο εργασίας κατάλληλα για να ελαχιστοποιείται η έκθεση του σώματος, η εμπλοκή της λάμας, ή η απώλεια ελέγχου.
5. **Κρατάτε το ηλεκτρικό εργαλείο μόνο από τις μονωμένες επιφάνειες χειρολαβής όταν εκτελείτε μια λειτουργία όπου το κοπτικό εργαλείο μπορεί να έρθει σε επαφή με κρυμμένα καλώδια ή και το δικό του καλώδιο.** Επαφή με ηλεκτροφόρα καλώδια και κάνει επίσης τα εκτεθειμένα μεταλλικά μέρη ηλεκτροφόρα και μπορεί να προκαλέσει ηλεκτροπληξία στον χειριστή.
6. **Όταν σχίζετε πάντοτε χρησιμοποιείτε ένα φράκτη σχισίματος ή έναν οδηγό ευθείας ακμής.** Αυτό βελτιώνει την ακρίβεια κοπής και ελαττώνει την πιθανότητα εμπλοκής της λάμας.
7. **Πάντοτε χρησιμοποιείτε λάμες με σωστό μέγεθος και σχήμα (διαμάντι έναντι στρογγυλού) τρυπών ατράκτου.** Οι λάμες που δεν ταιριάζουν με τον εξοπλισμό εγκατάστασης του πριονιού θα λειτουργήσουν παράκεντρα, προκαλώντας απώλεια ελέγχου.
8. **Ποτέ μη χρησιμοποιήσετε ελαττωματικές ροδέλες λάμας ή μπουλόνια.** Οι ροδέλες λάμας και τα μπουλόνια έχουν σχεδιασθεί ειδικά για το εργαλείο αυτό, για βέλτιστη απόδοση και ασφάλεια λειτουργίας.

Απίες οπισθολακτίσματος και σχετικές προειδοποιήσεις

- Το οπισθολακτίσμα είναι μία ξαφνική αντίδραση σε μία τοιμημένη, πιασμένη ή κακώς ευθυγραμμισμένη λάμα πριονιού, που προκαλεί ένα ανεξέλεγκτο σήκωμα του πριονιού και έξοδο από το τεμάχιο εργασίας προς την μεριά του χειριστή.
- Όταν η λάμα είναι πιασμένη ή σφιστά κρατημένη από την εγκοπή που κλείνει, η λάμα ακινητοποιείται και η αντίδραση του κινητήρα οδηγεί την μονάδα με ταχύτητα πίσω προς τον χρήστη;
- Εάν η λάμα στρεβλωθεί ή χάσει την ευθυγράμμιση της κατά την κοπή, τα δόντια στην πίσω άκρη της λάμας μπορεί να χωθούν στην επιφάνεια κορυφής του αντικειμένου εργασίας με αποτέλεσμα η λάμα να βγει από την εγκοπή και να τιναχτεί πίσω προς τον χειριστή.

Το οπισθολακτίσμα είναι το αποτέλεσμα κακής χρήσης του πριονιού και/ή εσφαλμένων διαδικασιών ή συνθηκών λειτουργίας και μπορεί να αποφευχθεί λαμβάνοντας κατάλληλες προφυλάξεις όπως δίνονται παρακάτω.

- 9. Κρατήστε καλά το πριόνι και με τα δυο σας χέρια και τοποθετήστε τους βραχίονές σας έτσι ώστε να αντιστέκονται στις δυνάμεις οπισθολακτίσματος. Τοποθετείστε το σώμα σας σε οποιαδήποτε μεριά της λάμας, αλλά όχι σε ευθυγράμμιση με την λάμα.** Το οπισθολακτίσμα θα μπορούσε να κάνει το πριόνι να πηδήξει προς τα πίσω, αλλά οι δυνάμεις οπισθολακτίσματος μπορεί να ελεγχθούν από τον χειριστή, εάν παρθούν οι κατάλληλες προφυλάξεις.
- 10. Όταν η λάμα πιάνει, ή όταν διακόπεται μία κοπή για οποιοδήποτε λόγο, ελευθερώστε την σκανδάλη και κρατήστε το πριόνι ακίνητο στο υλικό μέχρι που η λεπίδα φθάνει σε μία πλήρη στάση. Ποτέ μην επιχειρήσετε να αφαιρέσετε το πριόνι από το τεμάχιο εργασίας ή να τραβήξετε το πριόνι προς τα πίσω ενώ η λάμα βρίσκεται σε κίνηση αλλοιώς οπισθολακτίσμα μπορεί να συμβεί.** Ελέγχετε και παίρνετε διορθωτικά μέτρα ώστε να μη δημιουργούνται εμπλοκές στη λάμα.
- 11. Όταν επανεκκινείτε ένα πριόνι στο τεμάχιο εργασίας, βάλτε την λάμα πριονιού στο κέντρο της τομής και ελέγξτε ότι τα δόντια πριονιού δεν έχουν εμπλακεί μέσα στο υλικό.** Εάν η λάμα πριονιού πιάνει, μπορεί να πάει επάνω ή οπισθολακτίσει από το τεμάχιο εργασίας όπως το πριόνι επανεκκινεί.
- 12. Υποστηρίξτε μεγάλα αντικείμενα για να ελαχιστοποιήσετε τον κίνδυνο πιασίματος της λάμας και οπισθολακτίσματος.** Τα μεγάλα αντικείμενα έχουν τάση να λυγίζουν κάτω από το βάρος τους. Υποστηρίγματα πρέπει να τοποθετούνται κάτω από το αντικείμενο και στις δυο πλευρές, κοντά στη γραμμή κοπής και κοντά στην άκρη του αντικειμένου.
- 13. Μη χρησιμοποιείτε αμβλυμένες ή ελαττωματικές λάμες.** Μη ακονισμένες λάμες ή λάμες ακατάλληλα ρυθμισμένες δημιουργούν στενή εγγοπή προκαλώντας υπερβολική τριβή, πιασμό λάμας και οπισθολακτίσμα.

- 14. Οι μοχλοί βάθους λάμας και ασφάλισης λοξής ρύθμισης πρέπει να είναι σφιστοί και ασφαλείς πριν κάνετε την κοπή.** Εάν η ρύθμιση της λάμας μετακινηθεί κατά την κοπή, μπορεί να προκαληθεί πιασμό και οπισθολακτίσμα.
- 15. Δώστε μεγάλη προσοχή όταν πριονίζετε σε υπάρχοντες τοίχους ή άλλες τυφλές περιοχές.** Η προεξέχουσα λάμα ενδέχεται να κόψει αντικείμενα τα οποία ενδέχεται να προκαλέσουν ανάκρουση (οπισθολακτίσμα).

Λειτουργία κάτω προφυλακτήρα

- 16. Ελέγξτε το κάτω προστατευτικό για κανονικό κλείσιμο πριν από κάθε χρήση. Μη λειτουργείτε το πριόνι εάν ο κάτω προφυλακτήρας δεν κινείται ελεύθερα και κλείνει αμέσως. Ποτέ μη σφίξετε ή δέσετε το κάτω προστατευτικό στην ανοικτή θέση.** Εάν το πριόνι πέσει τυχαίως, ο κάτω προφυλακτήρας μπορεί να λυγίσει. Σηκώστε τον κάτω προφυλακτήρα με την λαβή απόσυρσης και βεβαιωθείτε ότι κινείται ελεύθερα και δεν αγγίζει την λάμα ή οποιοδήποτε άλλο μέρος, σε όλες τις γωνίες και βάθη κοπών.
- 17. Ελέγξτε την λειτουργία του ελατηρίου του κάτω προφυλακτήρα.** Εάν το προστατευτικό και το ελατήριο δεν λειτουργούν κανονικά πρέπει να συντηρηθούν πριν από την χρήση. Το κάτω προστατευτικό μπορεί να λειτουργεί αργά λόγω ελαττωματικών μερών, κολοειδών επιθεμάτων, ή συγκέντρωσης καταλοίπων.
- 18. Ο κάτω προφυλακτήρας μπορεί να αποσπαστεί χειροκίνητα μόνο για ειδικές κοπές όπως "κοπές βύθισης" και "σύνθετες κοπές". Ανυψώστε τον κάτω προφυλακτήρα ανασύροντας τη λαβή και μόλις η λάμα αρχίσει να εισέρχεται στο υλικό, φροντίστε να ελευθερώσετε τον κάτω προφυλακτήρα.** Για οποιοδήποτε άλλες εργασίες πριονίσματος, απαιτείται αυτόματη λειτουργία του κάτω προφυλακτήρα.
- 19. Πάντοτε να σιγουρεύεστε ότι ο κάτω προφυλακτήρας καλύπτει την λάμα πριν τοποθετήσετε το πριόνι πάνω στον πάγκο ή στο πάτωμα.** Μία απροσάτευτη, περιστρεφόμενη λάμα θα κάνει το πριόνι να κινηθεί προς τα πίσω, κόβοντας ότι βρίσκεται στην τροχιά του. Έχετε υπόψη σας τον χρόνο που χρειάζεται η λάμα για να σταματήσει μετά την ελευθέρωση του διακόπτη.
- 20. Για να ελέγξετε τον κάτω προφυλακτήρα, ανοίχτε τον κάτω προφυλακτήρα με το χέρι, κατόπιν ελευθερώστε και παρακολουθείστε το κλείσιμο του προφυλακτήρα. Επίσης ελέγξτε να δείτε ότι η λαβή απόσυρσης δεν αγγίζει το περιβλημα του εργαλείου.** Είναι ΠΟΛΥ ΕΠΙΚΙΝΔΥΝΟ να αφήνετε την λάμα εκτεθειμένη και μπορεί να οδηγήσει σε σοβαρό προσωπικό τραυματισμό.

Πρόσθετες προειδοποιήσεις ασφάλειας

- 21. Μη σταματάτε τις λάμες με πλευρική πίεση στη λάμα του πριονιού.**
- 22. ΚΙΝΔΥΝΟΣ:**
Μη προσπαθήσετε να αφαιρέσετε κομμένο υλικό όταν η λάμα κινείται.
ΠΡΟΣΟΧΗ:
Οι λάμες περιστρέφονται και μετά το σβύσιμο.

23. Βάλτε το πλατύτερο μέρος της βάσης του πριονιού στο τμήμα του αντικειμένου εργασίας που έχει σταθερή υποστήριξη, όχι στο τμήμα που θα πέσει κάτω όταν γίνει η κοπή.
24. Μην επιχειρήσετε ποτέ να πραγματοποιήσετε εργασίες κοπής έχοντας στερεώσει το εργαλείο ανάποδα σε μέγγενη. Αυτό είναι εξαιρετικά επικίνδυνο και μπορεί να οδηγήσει σε σοβαρά ατυχήματα.
25. Φοράτε γυαλιά ασφάλειας και ωτασπίδες κατά την λειτουργία.
26. Μην χρησιμοποιείτε δίσκους λείανσης.
27. Χρησιμοποιείτε μόνο τη λάμα πριονιού με τη διάμετρο που είναι επισημασμένη στο εργαλείο ή που καθορίζεται στο εγχειρίδιο. Η χρήση μιας λάμας λανθασμένου μεγέθους μπορεί να επηρεάσει τη σωστή προσαρτία της λάμας ή τη λειτουργία του προφυλακτήρα, γεγονός που μπορεί να έχει ως αποτέλεσμα σοβαρό προσωπικό τραυματισμό.

ΦΥΛΑΞΕΤΕ ΑΥΤΕΣ ΤΙΣ ΟΔΗΓΙΕΣ.

ΠΡΟΕΙΔΟΠΟΙΗΣΗ:

ΜΗΝ επιτρέψετε το βαθμό άνεσης ή εξοικείωσης με το προϊόν (λόγω επανειλημμένης χρήσης) να αντικαταστήσει την αυστηρή τήρηση των κανόνων ασφαλείας του παρόντος εργαλείου. ΚΑΚΗ ΧΡΗΣΗ ή αμέλεια να ακολουθήσετε τους κανόνες ασφαλείας που διατυπώνονται σ'αυτό το εγχειρίδιο οδηγίων μπορεί να προκαλέσει σοβαρό προσωπικό τραυματισμό.

ΠΕΡΙΓΡΑΦΗ ΛΕΙΤΟΥΡΓΙΑΣ

ΠΡΟΣΟΧΗ:

- Πάντοτε βεβαιώνετε ότι το εργαλείο είναι σβηστό και αποσυνδεδεμένο από το ρεύμα πριν ρυθμίσετε ή ελέγξετε κάποια λειτουργία του εργαλείου.

Ρύθμιση του βάθους κοπής (Εικ. 1)

Χαλαρώστε τον μοχλό στον οδηγό βάθους και μετακινήστε την βάση επάνω ή κάτω. Στο επιθυμητό βάθος κοπής, ασφαλίστε την βάση σφίγγοντας τον μοχλό.

ΠΡΟΣΟΧΗ:

- Αφού ρυθμίσετε το βάθος κοπής, πάντοτε σφίγγετε τον μοχλό με ασφάλεια.

Σκόπευση (Εικ. 2)

Όταν κόβετε, ευθυγραμμίστε την θέση Α στο εμπρόσθιο μέρος της βάσης με την γραμμή κοπής σας στο αντικείμενο εργασίας.

Δράση διακόπτη

ΠΡΟΣΟΧΗ:

- Πριν συνδέσετε στο ρεύμα το εργαλείο, πάντοτε ελέγχετε να δείτε ότι η σκανδάλη διακόπτης ενεργοποιείται κανονικά και επιστρέφει στη θέση "OFF" όταν ελευθερώνεται.

Για εργαλείο με κουμπί κλειδώματος-OFF (Εικ. 3)

Για να προληφθεί το τυχαίο τράβηγμα της σκανδάλης διακόπτη, ένα κουμπί κλειδώματος - OFF έχει προβλεφθεί.

Για να ξεκινήσει το εργαλείο, πιέστε το κουμπί κλειδώματος-OFF και τραβήχτε την σκανδάλη διακόπτη. Ελευθερώστε την σκανδάλη διακόπτη για να σταματήσει.

ΠΡΟΣΟΧΗ:

- Μην τραβήξετε τη σκανδάλη διακόπτης δυνατά χωρίς να πατήσετε το κουμπί ασφάλισης. Μπορεί να σπάσει ο διακόπτης.

Για εργαλείο χωρίς κουμπί κλειδώματος-OFF (Εικ. 4)

Για να ξεκινήσετε το εργαλείο, απλώς τραβήξτε τη σκανδάλη διακόπτη. Ελευθερώστε τη σκανδάλη διακόπτη για να σταματήσει.

ΣΥΝΑΡΜΟΛΟΓΗΣΗ

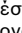
ΠΡΟΣΟΧΗ:

- Πάντοτε βεβαιώνετε ότι το εργαλείο είναι σβηστό και αποσυνδεδεμένο πριν εκτελέσετε οποιαδήποτε εργασία στο εργαλείο.

Τοποθέτηση ή αφαίρεση της λάμας πριονιού


ΠΡΟΣΟΧΗ:

- Χρησιμοποιείτε μόνο το παρεχόμενο κλειδί Makita για τοποθέτηση ή αφαίρεση της λάμας. Αμέλεια να το κάνετε μπορεί να έχει ως αποτέλεσμα υπερβολικό ή ανεπαρκές σφίξιμο του εξάγωνου μπουλονιού. Αυτό θα μπορούσε να προκαλέσει σοβαρό τραυματισμό στον χειριστή.
- Μην αγγίζετε την λάμα με γυμνό χέρι αμέσως μετά την κοπή, μπορεί να είναι εξαιρετικά θερμή και να σας προκαλέσει εγκαύματα. Φοράτε γάντια όταν αφαιρείτε μιά θερμή λάμα.

Για να αφαιρέσετε την λάμα, πρώτα σπρώχτε και γυρίστε τη λαβή που ασφαρίζει το κάλυμμα σκόνης δεξιόστροφα στο σύμβολο  και αφαιρέστε το κάλυμμα σκόνης. Πατείστε την ασφάλεια αξονα έτσι ώστε η λάμα να μη μπορεί να περιστραφεί και χρησιμοποιείτε το εξάγωνο κλειδί για να χαλαρώσετε το εξάγωνο μπουλόνι αριστερόστροφα. Μετά αφαιρέστε την εξωτερική φλάντζα και λάμα. (Εικ. 5 και 6)

Για να τοποθετήσετε την λάμα, ακολουθείστε την διαδικασία αφαίρεσης αντίστροφα. Πάντοτε τοποθετείτε την λάμα έτσι ώστε το βέλος επάνω στην λάμα να δείχνει στην ίδια διεύθυνση με το βέλος επάνω στη θήκη της λάμας.

ΒΕΒΑΙΩΝΕΣΤΕ ΟΤΙ ΣΦΙΓΓΕΤΕ ΤΟ ΕΞΑΓΩΝΟ ΜΠΟΥΛΟΝΙ ΜΕ ΑΣΦΑΛΕΙΑ. (Εικ. 7)

Μετά την τοποθέτηση της λάμας, επανατοποθετείστε το κάλυμμα σκόνης. Σύρτε προσεκτικά το κάλυμμα σκόνης έτσι ώστε η σχισμή του εμπρόσθιου μέρους να εφαρμόζει στην προεξοχή της θήκης λάμας. Βεβαιωθείτε ότι το κάλυμμα σκόνης έχει εφαρμόσει ουσιά μετά σπρώχτε και γυρίστε την λαβή αριστερόστροφα στο σύμβολο . (Εικ. 8)

Φραγή ξειλώματος (κανόνας οδηγός) (Εξάρτημα) (Εικ. 9)

Η εύχρηστη φραγή ξειλώματος (κανόνας οδηγός) σας επιτρέπει να πραγματοποιείτε ίσιες κοπές εξαιρετικής ακριβείας. Απλώς ολισθείστε την φραγή ξειλώματος μαλακά έναντι της πλευράς του κομματιού εργασίας και ασφαλίστε την στην θέση της με την βίδα του σφιχτήρα στο μπροστινό μέρος της βάσης. Επίσης είναι δυνατόν να κάνετε επαναλαμβανόμενες κοπές ομοιομόρφου βάθους.

ΛΕΙΤΟΥΡΓΙΑ

ΠΡΟΣΟΧΗ:

- Ποτέ μη στρίψετε ή εξαναγκάσετε το εργαλείο κατά την κοπή. Αυτό μπορεί να προκαλέσει υπερφόρτωση και/ή επικίνδυνο οπισθολάκτισμα, με αποτέλεσμα σοβαρό τραυματισμό του χειριστή.

Κρατάτε το εργαλείο σταθερά και με τα δύο χέρια. Ρυθμίστε την πλάκα βάσης στο αντικείμενο εργασίας που πρόκειται να κοπεί χωρίς η λάμα να κάνει καμμία επαφή. Μετά ανάψτε το εργαλείο και περιμένετε μέχρι η λάμα να αποκτήσει πλήρη ταχύτητα. Κινείστε το εργαλείο προς τα εμπρός επάνω στην επιφάνεια του αντικειμένου εργασίας, κρατώντας το επίπεδο και προχωρώντας απαλά μέχρι να ολοκληρωθεί η κοπή. Διατηρείτε την γραμμή κοπής ευθεία και την ταχύτητα προώθησης ομοιόμορφη. (Εικ. 10)

Το παράθυρο θέασης στη βάση διευκολύνει τον έλεγχο της απόστασης μεταξύ της εμπρόσθιας άκρης της λάμας πριονιού και του αντικειμένου εργασίας όταν η λάμα είναι ρυθμισμένη στο μέγιστο βάθος κοπής. (Εικ. 11)

ΣΗΜΕΙΩΣΗ:

- Όταν κάνουν λοξές κοπές κλπ., μερικές φορές το κάτω προστατευτικό δεν μετακινείται εύκολα. Στην περίπτωση αυτή, χρησιμοποιήστε τον μοχλό επαναφοράς για να σηκώσετε το κάτω προστατευτικό για να αρχίσετε την κοπή και μόλις η λάμα κάνει επαφή με το υλικό, ελευθερώστε τον μοχλό επαναφοράς. (Εικ. 12)

ΠΡΟΣΟΧΗ:

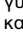
- Μη χρησιμοποιείτε μιά λάμα που είναι παραμορφωμένη ή έχει ρωγμές. Αντικαταστήστε την με μιά νέα.
- Μη βάζετε τα υλικά το ένα πάνω στο άλλο όταν τα κόβετε.
- Μη κόβετε σκληρό ατσάλι, ανοξείδωτο ατσάλι, αλουμίνιο, ξύλο, πλαστικό, σκυρόδεμα, κεραμικά, κλπ. **Κόβετε μόνο μαλακό ατσάλι.**
- Μη αγγίζετε την λάμα πριονιού, το αντικείμενο εργασίας ή τα κομμένα τεμαχίδια με γυμνό χέρι αμέσως μετά την κοπή, μπορεί να είναι εξαιρετικά θερμά και να σας προκαλέσουν εγκαύματα.
- **Πάντοτε χρησιμοποιείτε τις λάμες με άκρα καρβιδίου που είναι κατάλληλες για την εργασία σας.** Η χρήση ακατάλληλων λαμών μπορεί να έχει ως αποτέλεσμα κακή απόδοση κοπής και/ή να παρουσιάσει κίνδυνο προσωπικού τραυματισμού.

Απόρριψη τεμαχιδίων

ΠΡΟΣΟΧΗ:

- Πάντοτε βεβαιώνετε ότι το εργαλείο είναι σβηστό και αποσυνδεδεμένο πριν αφαιρέσετε ή τοποθετήσετε το κάλυμμα σκόνης.
- Το κάλυμμα σκόνης μπορεί να θερμανθεί λόγω των θερμών τεμαχιδίων. Μην αγγίζετε τα κομμένα τεμαχίδια ή το κάλυμμα σκόνης με γυμνά χέρια.

Όταν τα κομμένα τεμαχίδια είναι ορατά μέσω του παραθύρου θέασης, φροντίστε για την απόρριψή τους. (Εικ. 13)

Σπρώχτε και γυρίστε την λαβή δεξιόστροφα στο σύμβολο  και αφαιρέστε το κάλυμμα σκόνης. Απορρίψτε τα κομμένα τεμαχίδια που έχουν συσσωρευτεί μέσα στο κάλυμμα σκόνης. (Εικ. 14)

ΠΡΟΣΟΧΗ:

- Μη γυρίζετε το εργαλείο ανάποδα. Τα κομμένα τεμαχίδια που έχουν συσσωρευθεί μέσα στο κάλυμμα σκόνης μπορεί να πέσουν έξω από το κάλυμμα σκόνης.
- Χειρίζεστε το κάλυμμα σκόνης προσεκτικά έτσι ώστε να μη παραμορφωθεί ή πάθει ζημιά.

ΣΥΝΤΗΡΗΣΗ

ΠΡΟΣΟΧΗ:

- Πάντοτε βεβαιώνετε ότι το εργαλείο είναι σβηστό και αποσυνδεδεμένο πριν επιχειρήσετε να εκτελέσετε επιθεώρηση ή συντήρηση.
- Μη χρησιμοποιείτε ποτέ βενζίνη, πετρελαϊκό αιθέρα, διαλυτικό, αλκοόλη ή παρόμοιες ουσίες. Ενδέχεται να προκληθεί αποχρωματισμός παραμόρφωση ή ρωγμές.

Επιθεώρηση της λάμας πριονιού

- Ελέγξτε την λάμα προσεκτικά για ρωγμές ή ζημιές πριν και μετά από κάθε χρήση. Αντικαταστήστε αμέσως μιά λάμα που έχει ρωγμές ή ζημιές.
- Η συνέχιση της χρήσης μιάς αμβλυμένης λάμας μπορεί να έχει ως αποτέλεσμα επικίνδυνο οπισθολάκτισμα και/ή υπερφόρτιση του κινητήρα. Αντικαταστήστε με μιά καινούργια λάμα αμέσως μόλις σταματήσει να κόβει αποτελεσματικά.
- **Λάμες πριονιού με καρβιδικά άκρα για κόπτες μετállων δεν μπορούν να επανατροχιστούν.**

Αντικατάσταση ψηκτρών άνθρακα

(Εικ. 15 και 16)

Αφαιρείτε και ελέγχετε τις ψήκτρες άνθρακα τακτικά. Αντικαταστήστε τις όταν φθαρουν μέχρι το σημάδι ορίου. Κρατάτε τις ψήκτρες άνθρακα καθαρές και ελεύθερες να γλιστρούν στις θήκες. Και οι δύο ψήκτρες άνθρακα πρέπει να αντικαθίστανται ταυτόχρονα. Χρησιμοποιείτε μόνο ταυτόσημες ψήκτρες άνθρακα.

Χρησιμοποιείτε ένα κατασβίδι για να αφαιρέσετε τα καπάκια των θηκών των ψηκτρών. Αφαιρέστε τις φθαρμένες ψήκτρες, βάλτε τις νέες και ασφαλίστε τα καπάκια των θηκών των ψηκτρών.

Για την διατήρηση της ΑΣΦΑΛΕΙΑΣ και ΑΞΙΟΠΙΣΤΙΑΣ του προϊόντος, επισκευές, οποιαδήποτε άλλη συντήρηση ή ρύθμιση πρέπει να εκτελούνται από τα Εξουσιοδοτημένα Κέντρα Εξυπηρέτησης της Makita, με χρήση πάντοτε ανταλλακτικών Makita.

ΠΡΟΑΙΡΕΤΙΚΑ ΕΞΑΡΤΗΜΑΤΑ

ΠΡΟΣΟΧΗ:

- Αυτά τα εξαρτήματα ή προσαρτήματα συνιστώνται για χρήση με το εργαλείο Makita που περιγράφτηκε στις οδηγίες αυτές. Η χρήση οτιδήποτε άλλων εξαρτημάτων ή προσαρτημάτων μπορεί να προκαλέσει κίνδυνο τραυματισμού σε άτομα. Χρησιμοποιείτε τα εξαρτήματα ή προσαρτήματα μόνο για την χρήση που προορίζονται.

Εάν χρειάζεστε οποιαδήποτε βοήθεια για περισσότερες πληροφορίες σε σχέση με αυτά τα εξαρτήματα, απευθυνθείτε στο τοπικό σας κέντρο εξυπηρέτησης Makita.

- Φραγή ξειλώματος (κανόνας οδηγός)
- Γυαλιά ασφάλειας
- Συνιστώμενες λάμες με άκρες καρβιδίου & κατηγορίες αντικειμένων εργασίας

ΠΑΡΑΤΗΡΗΣΗ:

- Μερικά στοιχεία στη λίστα μπορεί να συμπεριλαμβάνονται στη συσκευασία εργαλείου ως στάνταρ εξαρτήματα. Μπορεί να διαφέρουν ανάλογα με τη χώρα.

Μεταλλικές λάμες με άκρο καρβιδίου για πολλές εφαρμογές

	Εφαρμογ													
	ΜΕΤΑΛΛΙΚΟ ΦΥΛΛΟ		ΓΟΜΦΟΣ C		ΓΟΜΦΟΣ ΓΩΝΙΑΣ		ΜΕΤΑΛΛΙΚΟΣ ΓΟΜΦΟΣ		ΕΝΙΣΧΥΜ ΝΗ ΔΟΚ	ΣΩΛΗΝΑΣ			ΚΥΜΑΤΟΕΙΔΕΣ ΦΥΛΛΟ	
Μέγεθος (χιλ)	t=1,5	t=3,0	50x100 t=1,6	45x90 t=3,2	50x50 t=4	50x50 t=6	t=0,56 25Ga	t=1,6 16Ga	∅20	50x100 t=3,2	∅25 t=1,2	∅60 t=3,8	t=0-0,9	t=1,0-2,0
185x36T	✗	⊙	✗	⊙	⊙	⊙	⊙	✗	⊙	⊙	△	⊙	✗	✗
185x38T	△	⊙	△	⊙	⊙	⊙	⊙	△	⊙	⊙	⊙	⊙	✗	✗
185x48T	⊙	⊙	⊙	⊙	△	⊙	⊙	⊙	△	⊙	⊙	△	✗	△
185x70T	⊙	△	✗	✗	✗	✗	△	✗	✗	✗	✗	✗	⊙	△

005705



Εξαιρητικά



Καλά



Μέτρια



Μη εφαρμοσιμο

ΠΡΟΣΟΧΗ:

- Πάντοτε χρησιμοποιείτε λάμες πριονιού με άκρα καρβιδίου κατάλληλης για την εργασία σας. Μη κόβετε αλουμίνιο, ξύλο, πλαστικά, σκυρόδεμα, κεραμικά, κλπ.
- Λάμες πριονιού με άκρα καρβιδίου για πριόνι κοπής μετάλλων δεν είναι δυνατόν να επανατροχιστούν.

ENG905-1

Θόρυβος

Το τυπικό A επίπεδο μετρημένου θορύβου καθορίζεται σύμφωνα με το EN60745:

Στάθμη πίεσης ήχου (L_{pA}): 89 dB (A)

Στάθμη δύναμης ήχου (L_{WA}): 100 dB (A)

Αβεβαιότητα (K): 3 dB (A)

Φοράτε ωτοασπίδες

ENG900-1

Κραδασμός

Η ολική τιμή δόνησης (άθροισμα τρι-αξονικού διανύσματος) καθορίζεται σύμφωνα με το EN60745:

Είδος εργασίας: κοπή μετάλλου

Εκπομπή δόνησης ($a_{h,M}$): 2,5 m/s² ή λιγότερο

Αβεβαιότητα (K): 1,5 m/s²

ENG901-1

- Η δηλωμένη τιμή εκπομπής κραδασμών έχει μετρηθεί σύμφωνα με την πρότυπη μέθοδο δοκιμής και μπορεί να χρησιμοποιηθεί για τη σύγκριση ενός εργαλείου με άλλο.
- Η δηλωμένη τιμή εκπομπής κραδασμών μπορεί να χρησιμοποιηθεί και στην προκαταρκτική αξιολόγηση έκθεσης.

Μόνο για χώρες της Ευρώπης

Δήλωση Συμμόρφωσης ΕΚ

Η Makita Corporation, ως ο υπεύθυνος κατασκευαστής, δηλώνει ότι το/τα ακόλουθο(α) μηχάνημα(τα) της Makita:

Χαρακτηρισμός μηχανήματος:

Κόπτης μετάλλων

Αρ. μοντέλου/ Τύπος: 4131

είναι εν σειρά παραγωγή και

συμμορφώνονται με τις ακόλουθες Ευρωπαϊκές Οδηγίες:

2006/42/ΕΚ

και κατασκευάζονται σύμφωνα με τα ακόλουθα πρότυπα ή έγγραφα τυποποίησης:

EN60745

Το τεχνικό πληροφοριακό υλικό διατηρείται από:

Makita International Europe Ltd.

Technical Department (Τεχνικό Τμήμα),

Michigan Drive, Tongwell,

Milton Keynes, Bucks MK15 8JD, England

(Αγγλία)

30.1.2009



Tomoyasu Kato

Διευθυντής

Makita Corporation

3-11-8, Sumiyoshi-cho,

Anjo, Aichi, 446-8502, JAPAN

Makita Corporation
Anjo, Aichi, Japan

884543H995

www.makita.com

IDE