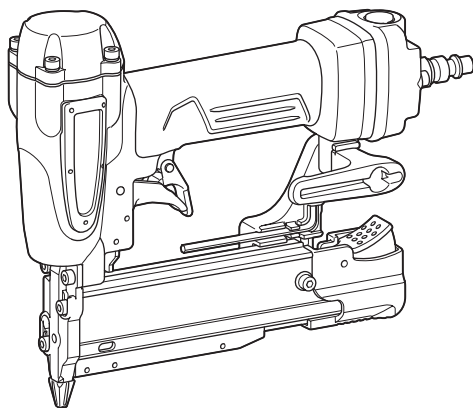




EN	Pneumatic Pin Nailer	INSTRUCTION MANUAL	6
PL	Sztyfciaarka pneumatyczna	INSTRUKCJA OBSŁUGI	14
HU	Pneumatikus tűszegező	HASZNÁLATI KÉZIKÖNYV	23
SK	Pneumatická kľincovačka	NÁVOD NA OBSLUHU	31
CS	Pneumatická hřebíkovačka	NÁVOD K OBSLUZE	39
UK	Пневматичний скобозабивний інструмент	ІНСТРУКЦІЯ З ЕКСПЛУАТАЦІЇ	47
RO	Pistol pneumatic de bătuț cuie	MANUAL DE INSTRUCȚIUNI	56
DE	Druckluft-Stiftnagler	BETRIEBSANLEITUNG	65

AF353



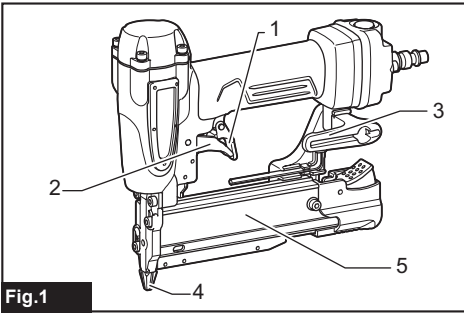


Fig.1

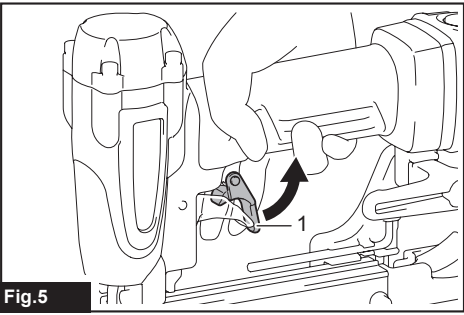


Fig.5

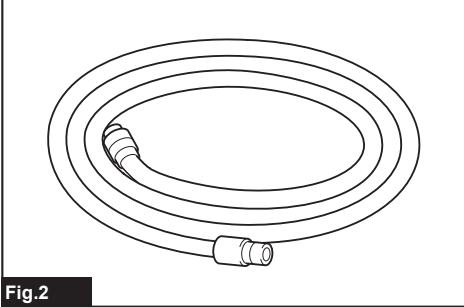


Fig.2

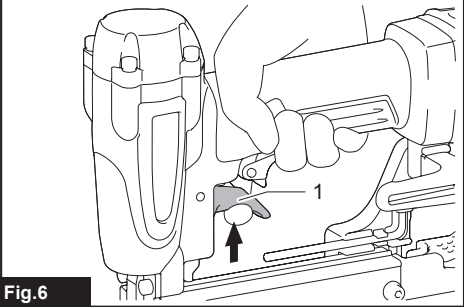


Fig.6

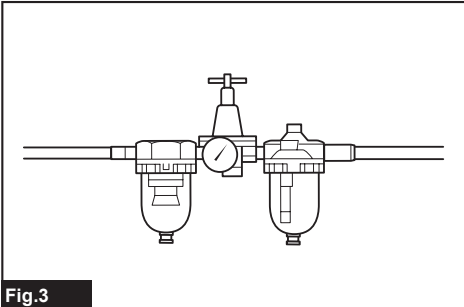


Fig.3

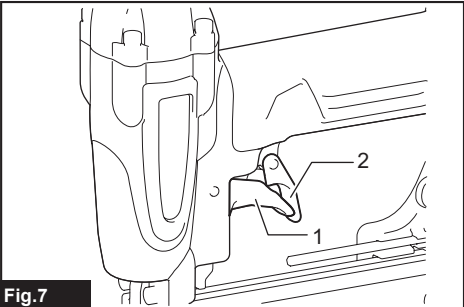


Fig.7

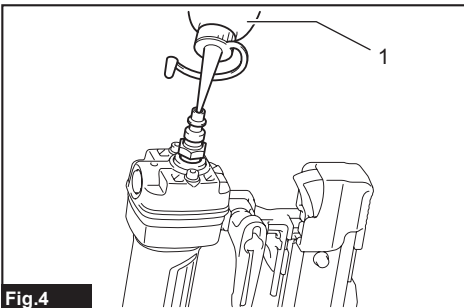


Fig.4

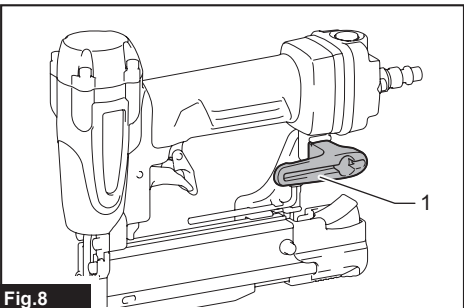


Fig.8

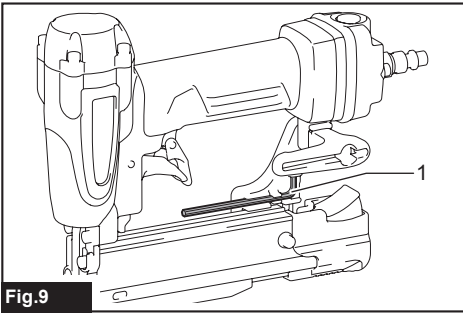


Fig.9

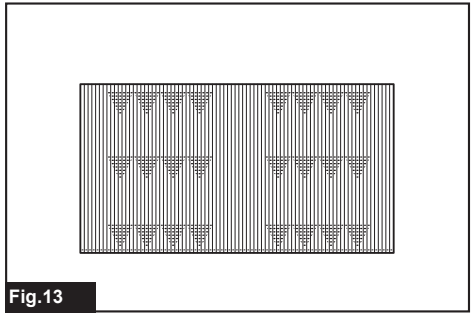


Fig.13

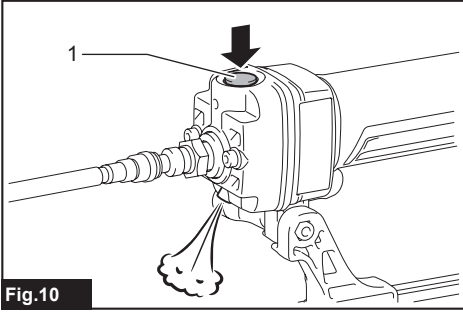


Fig.10

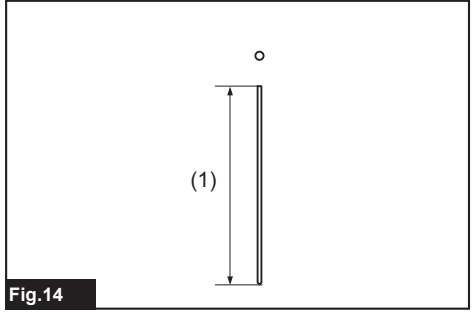


Fig.14

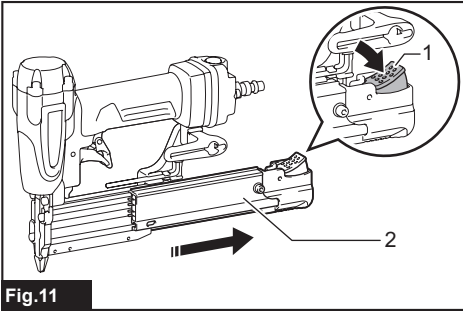


Fig.11

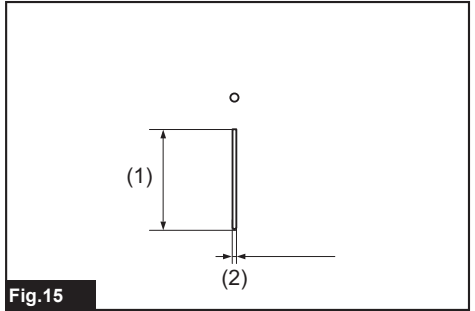


Fig.15

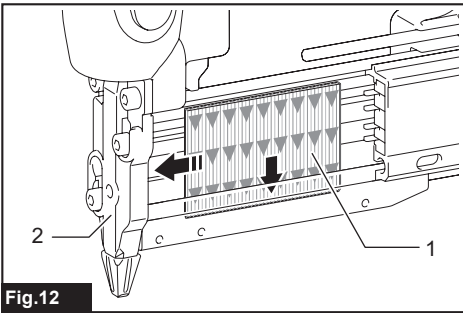


Fig.12

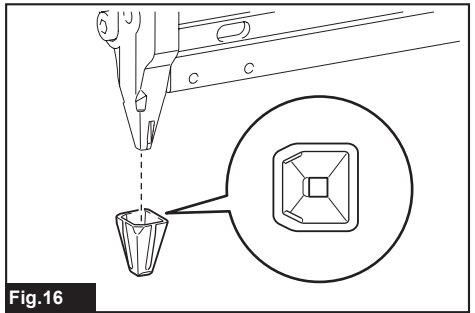


Fig.16

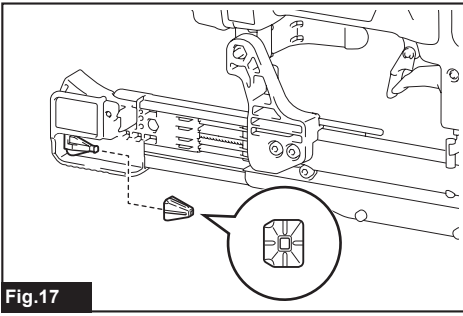


Fig.17

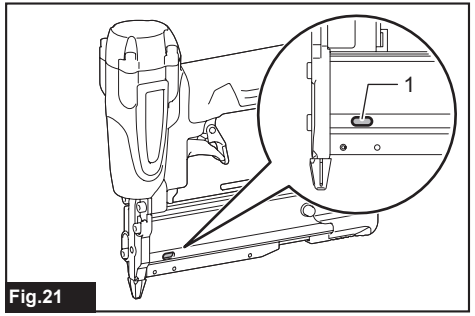


Fig.21

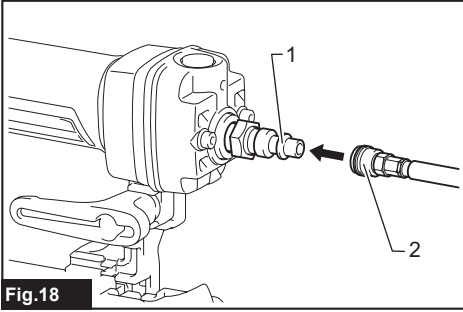


Fig.18

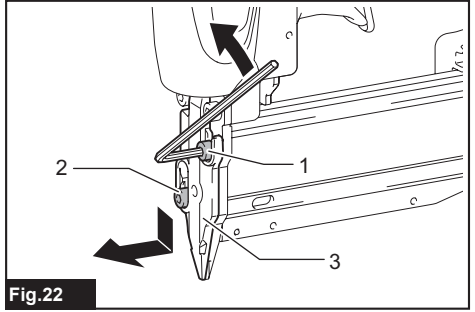


Fig.22

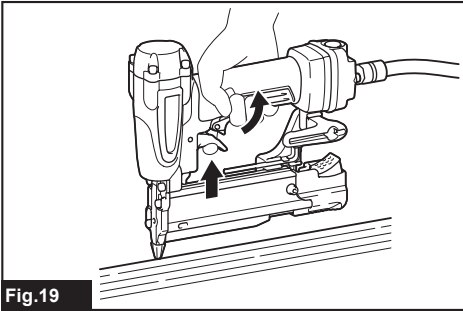


Fig.19

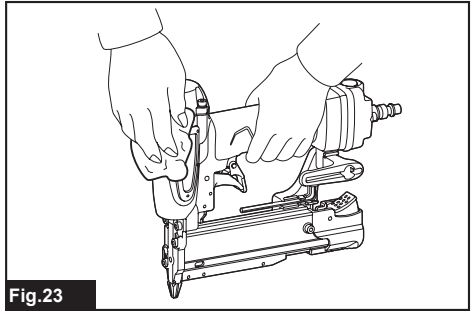


Fig.23

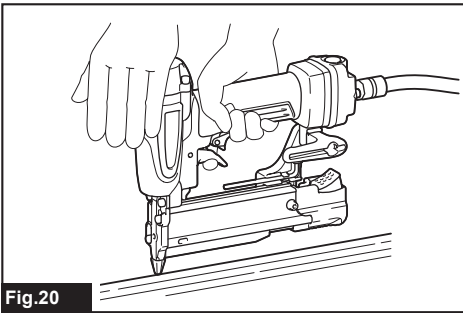


Fig.20

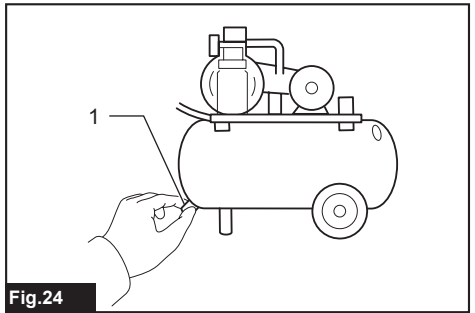


Fig.24

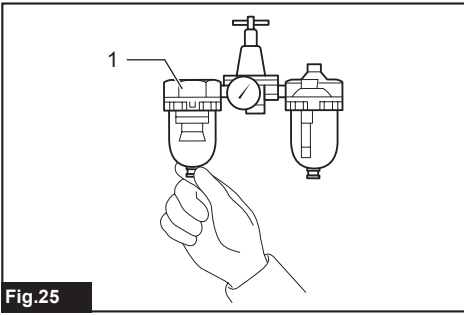


Fig.25

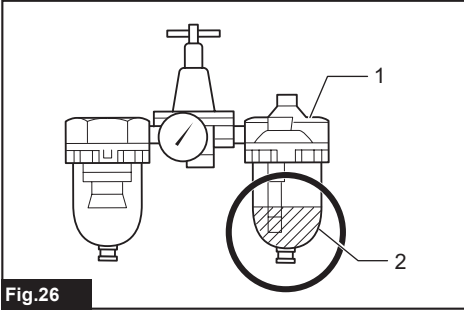


Fig.26





SPECIFICATIONS

Model:	AF353
Air pressure	0.45 - 0.69 MPa (4.5 - 6.9 bar)
Nail length	15, 18, 19, 25, 30, 35 mm
Nail capacity	130 pcs.
Minimum hose diameter	6.5 mm
Pneumatic tool oil	ISO VG32 or equivalent
Dimensions (L x W x H)	208 mm x 66 mm x 191 mm
Net weight	0.9 kg

- Due to our continuing program of research and development, the specifications herein are subject to change without notice.
- Specifications may differ from country to country.

Symbols

The followings show the symbols used for the equipment. Be sure that you understand their meaning before use.

	Read instruction manual.
	Wear safety glasses.
	Wear ear protection.
	Do not use on scaffoldings, ladders.

Intended use

The tool is intended for fastening on interior work and furniture work.

The tool is for high-volume professional application only. Do not use it for any other purpose. It is not designed to drive fasteners on a hard surface like steel and concrete.

Noise

The typical A-weighted noise level determined according to ISO11148-13 (EN12549):

Sound pressure level (L_{pA}) : 92 dB(A)

Sound power level (L_{WA}) : 101 dB (A)

Uncertainty (K) : 3 dB(A)

NOTE: The declared noise emission value(s) has been measured in accordance with a standard test method and may be used for comparing one tool with another.

NOTE: The declared noise emission value(s) may also be used in a preliminary assessment of exposure.

⚠ WARNING: Wear ear protection.

⚠ WARNING: The noise emission during actual use of the power tool can differ from the declared value(s) depending on the ways in which the tool is used especially what kind of workpiece is processed.

⚠ WARNING: Be sure to identify safety measures to protect the operator that are based on an estimation of exposure in the actual conditions of use (taking account of all parts of the operating cycle such as the times when the tool is switched off and when it is running idle in addition to the trigger time).

Vibration

The vibration total value determined according to ISO11148-13 (ISO8662-11):

Vibration emission (a_{hv}) : 3.7 m/s²

Uncertainty (K) : 1.5 m/s²

NOTE: The declared vibration total value(s) has been measured in accordance with a standard test method and may be used for comparing one tool with another.

NOTE: The declared vibration total value(s) may also be used in a preliminary assessment of exposure.

⚠ WARNING: The vibration emission during actual use of the power tool can differ from the declared value(s) depending on the ways in which the tool is used especially what kind of workpiece is processed.

⚠ WARNING: Be sure to identify safety measures to protect the operator that are based on an estimation of exposure in the actual conditions of use (taking account of all parts of the operating cycle such as the times when the tool is switched off and when it is running idle in addition to the trigger time).

EC Declaration of Conformity

For European countries only

The EC declaration of conformity is included as Annex A to this instruction manual.

SAFETY WARNINGS

Pneumatic nailer/stapler safety warnings

⚠ WARNING: Read all safety warnings and all instructions. Failure to follow the warnings and instructions may result in serious injury, electric shock and/or fire.

Save all warnings and instructions for future reference.

For personal safety and proper operation and maintenance of the tool, read this instruction manual before using the tool.

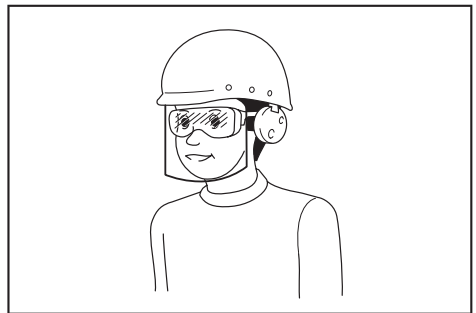
General safety

1. Any other use except for intended use of this tool is forbidden. Fastener driving tools with continual contact actuation or contact actuation shall only be used for production applications.
2. Keep fingers away from trigger when not operating this tool and when moving from one operating position to another.
3. Multiple hazards. Read and understand the safety instructions before connecting, disconnecting, loading, operating, maintaining, changing accessories on, or working near the tool. Failure to do so can result in serious bodily injury.
4. Keep all body parts such as hands and legs etc. away from firing direction and ensure fastener cannot penetrate workpiece into parts of the body.
5. When using the tool, be aware that the fastener could deflect and cause injury.
6. Hold the tool with a firm grasp and be prepared to manage recoil.
7. Only technically skilled operators should use the fastener driving tool.
8. Do not modify the fastener driving tool. Modifications may reduce the effectiveness of safety measures and increase the risks to the operator and/or bystander.
9. Do not discard the instruction manual.
10. Do not use a tool if the tool has been damaged.
11. Be careful when handling fasteners, especially when loading and unloading, as the fasteners have sharp points which could cause injury.
12. Always check the tool before use for broken, misconnected or worn parts.
13. Do not overreach. Only use in a safe working place. Keep proper footing and balance at all times.
14. Keep bystanders away (when working in an area where there is a likelihood of through traffic of people). Clearly mark off your operating area.
15. Never point the tool at yourself or others.

16. Do not rest your finger on the trigger when picking up the tool, moving between operating areas and positions or walking, as resting finger on trigger can lead to inadvertent operation. For tools with selective actuation, always check the tool before use to ascertain the correct mode is selected.
17. Only wear gloves that provide adequate feel and safe control of triggers and any adjusting devices.
18. When resting the tool, lay it down on the flat surface. If you use the hook equipped with the tool, hook the tool securely on the stable surface.
19. Do not operate when under the influence of alcohol, drugs or the like.

Projectile hazards

1. The fastener driving tool shall be disconnected when unloading fasteners, making adjustments, clearing jams or changing accessories.
2. During operation be careful that fasteners penetrate material correctly and cannot be deflected/misfired towards operator and/or any bystanders.
3. During operation, debris from workpiece and fastening/collation system may be discharged.
4. Always wear protective goggles to protect your eyes from injury when using power tools. The goggles must comply with ANSI Z87.1 in the USA, EN 166 in Europe, or AS/NZS 1336 in Australia/New Zealand. In Australia/New Zealand, it is legally required to wear a face shield to protect your face, too.



It is an employer's responsibility to enforce the use of appropriate safety protective equipments by the tool operators and by other persons in the immediate working area.

5. The risks to others shall be assessed by the operator.
6. Be careful with tools without workpiece contact as they can be fired unintentionally and injure operator and/or bystander.
7. Ensure tool is always safely engaged on the workpiece and cannot slip.
8. Wear hearing protection to protect your ears against exhaust noise and head protection. Also wear light but not loose clothing. Sleeves should be buttoned or rolled up. No necktie should be worn.

Operating hazards

1. **Hold the tool correctly:** be ready to counteract normal or sudden movements such as recoil.
2. **Maintain a balanced body position and secure footing.**
3. **Appropriate safety glasses shall be used and appropriate gloves and protective clothing are recommended.**
4. **Appropriate hearing protection shall be worn.**
5. **Use the correct energy supply as directed in the instruction manual.**
6. **Do not use the tool on moving platforms or back of trucks.** Sudden movement of the platform may lose control of the tool and cause injury.
7. **Always assume that the tool contains fasteners.**
8. **Do not rush the job or force the tool. Handle the tool carefully.**
9. **Watch your footing and maintain your balance with the tool.** Make sure there is no one below when working in high locations, and secure the air hose to prevent danger if there is sudden jerking or catching.
10. **On rooftops and other high locations, drive fasteners as you move forward.** It is easy to lose your footing if you drive fasteners while inching backward. When driving fasteners against perpendicular surface, work from the top to the bottom. You can perform driving operations with less fatigue by doing so.
11. **A fastener will be bent or the tool can become jammed if you mistakenly drive fastener on top of another fastener or strike a knot in the wood. The fastener may be thrown and hit someone, or the tool itself can react dangerously. Place the fasteners with care.**
12. **Do not leave the loaded tool or the air compressor under pressure for a long time out in the sun. Be sure that dust, sand, chips and foreign matter will not enter the tool in the place where you leave it setting.**
13. **Never attempt to drive fasteners from both the inside and outside at the same time.** Fasteners may rip through and/or fly off, presenting a grave danger.

Repetitive motions hazards

1. **When using a tool for long periods, the operator may experience discomfort in the hands, arms, shoulders, neck, or other parts of the body.**
2. **While using a tool, the operator should adopt a suitable but ergonomic posture. Maintain secure footing and avoid awkward or off-balanced postures.**
3. **If the operator experiences symptoms such as persistent or recurring discomfort, pain, throbbing, aching, tingling, numbness, burning sensation, or stiffness, do not ignore these warning signs. The operator should consult a qualified health professional regarding overall activities.**
4. **The continuous use of the tool may cause repetitive strain injury due to recoil produced by the tool.**

5. **To avoid repetitive strain injury, the operator should not overreach or use excessive force. Additionally, the operator should take a rest when feeling fatigue.**
6. **Conduct a risk assessment regarding repetitive motion hazards. It should focus on muscular-skeletal disorders and be preferentially based on the assumption that decreasing fatigue during work is effective in reducing disorders.**

Accessory and consumable hazards

1. **Disconnect the energy supply to the tool, such as air or gas or battery as applicable, before changing/replacing accessories such as work-piece contact, or making any adjustments.**
2. **Use only the sizes and types of accessories that are provided by the manufacturer.**
3. **Use only lubricants recommended in this manual.**

Workplace hazards

1. **Slips, trips and falls are major causes of workplace injury. Be aware of slippery surfaces caused by use of the tool and also of trip hazards caused by the air line hose.**
2. **Proceed with additional care in unfamiliar surroundings. Hidden hazards may exist, such as electricity or other utility lines.**
3. **This tool is not intended for use in potentially explosive atmospheres and is not insulated from coming into contact with electric power.**
4. **Make sure there are no electrical cables, gas pipes etc. that could cause a hazard if damaged by use of the tool.**
5. **Keep work area clean and well lit.** Cluttered or dark areas invite accidents.
6. **There may be local regulations concerning noise which must be complied with by keeping noise levels within prescribed limits. In certain cases, shutters should be used to contain noise.**

Dust and exhaust hazards

1. **Always check your surroundings. The air exhausted from the tool may blow dust or objects and hit operator and/or bystanders.**
2. **Direct the exhaust so as to minimize disturbance of dust in a dust filled environment.**
3. **If dust or objects are emitted in the work area, reduce the emission as much as possible to reduce the health hazards and risk of injury.**

Noise hazards

1. **Unprotected exposure to high noise levels can cause permanent, disabling, hearing loss and other problems such as tinnitus (ringing, buzzing, whistling or humming in the ears).**
2. **Conduct a risk assessment regarding noise hazards in the work area and implement appropriate controls for these hazards.**
3. **Appropriate controls to reduce the risk may include actions such as damping materials to prevent workpieces from "ringing".**
4. **Use appropriate hearing protection.**
5. **Operate and maintain the tool as recommended in these instructions, to prevent an unnecessary increase in noise levels.**
6. **Take noise reduction measures, for example placing workpieces on sound damping supports.**

Vibration hazards

1. The vibration emission during operation depends on the gripping force, the contact pressure force, the working direction, the adjustment of energy supply, the workpiece, the workpiece support. Conduct a risk assessment regarding vibration hazards and implement appropriate controls for these hazards.
2. Exposure to vibration can cause disabling damage to the nerves and blood supply of the hands and arms.
3. Wear warm clothing when working in cold conditions, keep your hands warm and dry.
4. If you experience numbness, tingling, pain or whitening of the skin in your fingers or hands, seek medical advice from a qualified occupational health professional regarding overall activities.
5. Operate and maintain the tool as recommended in these instructions, to prevent an unnecessary increase in vibration levels.
6. Hold the tool with a light, but safe, grip because the risk from vibration is generally greater when the grip force is higher.

Additional warnings for pneumatic tools

1. Compressed air can cause severe injury.
2. Always shut off air supply, and disconnect tool from air supply when not in use.
3. Always disconnect the tool from the compressed air supply before changing accessories, making adjustments and/or repairs, when moving away from an operating area to a different area.
4. Keep fingers away from trigger when not operating the tool and when moving from one operating position to another.
5. Never direct compressed air at yourself or anyone else.
6. Whipping hoses can cause severe injury. Always check for damaged or loose hoses or fittings.
7. Never carry a pneumatic tool by its hose.
8. Never drag a pneumatic tool by its hose.
9. When using pneumatic tools, do not exceed the maximum operating pressure ps max.
10. Pneumatic tools should only be powered by compressed air at the lowest pressure required for the work process to reduce noise and vibration, and minimize wear.
11. Using oxygen or combustible gases for operating pneumatic tools creates a fire and explosion hazard.
12. Be careful when using pneumatic tools as the tool could become cold, affecting grip and control.

Safety devices

1. **Make sure all safety systems are in working order before operation.** The tool must not operate if only the trigger is pulled or if only the contact arm is pressed against the wood. It must work only when both actions are performed. Test for possible faulty operation with fasteners unloaded and the pusher in fully pulled position.

2. **Securing the trigger in the ON position is very dangerous.** Never attempt to fasten the trigger.
3. **Do not attempt to keep the contact element or other safety devices depressed with tape or wire.** Death or serious injury may occur.

Service

1. **Perform cleaning and maintenance right after finishing the job.** Keep the tool in tip-top condition. Lubricate moving parts to prevent rusting and minimize friction-related wear. Wipe off all dust from the parts.
2. **Ask Makita authorized service center for periodical inspection of the tool.**
3. **To maintain product SAFETY and RELIABILITY, maintenance and repairs should be performed by Makita Authorized Service Centers, always using Makita replacement parts.**
4. **Follow local regulations when disposing of the tool.**

SAVE THESE INSTRUCTIONS.

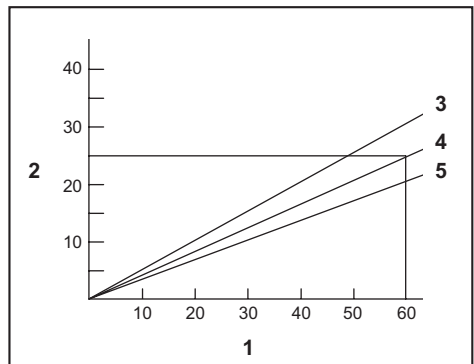
⚠WARNING: DO NOT let comfort or familiarity with product (gained from repeated use) replace strict adherence to safety rules for the subject product. MISUSE or failure to follow the safety rules stated in this instruction manual may cause serious personal injury.

PARTS DESCRIPTION

- Fig.1: 1. Lock lever 2. Trigger 3. Hook 4. Nose adapter 5. Sliding door

INSTALLATION

Selecting compressor



1. Nailing frequency (times/min) 2. Compressor air output per minute (L/min) 3. 0.69 MPa (6.9 bar) 4. 0.57 MPa (5.7 bar) 5. 0.45 MPa (4.5 bar)

The air compressor must comply with the requirements of EN60335-2-34.

Select a compressor that has ample pressure and air output to assure cost-efficient operation. The graph shows the relation between nailing frequency, applicable pressure and compressor air output. Thus, for example, if nailing takes place at a rate of approximately 60 times per minute at a compression of 0.57 MPa (5.7 bar), a compressor with an air output over 25 liters/minute is required.

Pressure regulators must be used to limit air pressure to the rated pressure of the tool where air supply pressure exceeds the tool's rated pressure. Failure to do so may result in serious injury to tool operator or persons in the vicinity.

Selecting air hose

CAUTION: Low air output of the compressor, or a long or smaller diameter air hose in relation to the nailing frequency may cause a decrease in the driving capability of the tool.

► Fig.2

Use an air hose as large and as short as possible to assure continuous, efficient nailing operation.

With an air pressure of 0.49 MPa (4.9 bar), an air hose with an internal diameter of over 6.5 mm and a length of less than 20 m is recommended when the interval between each nailing is 0.5 seconds.

Air supply hoses shall have a minimum working pressure rating of 1.03 MPa (10.3 bar) or 150 percent of the maximum pressure produced in the system whichever is higher.

Lubrication

► Fig.3

To insure maximum performance, install an air set (oiler, regulator, air filter) as close as possible to the tool. Adjust the oiler so that one drop of oil will be provided for every 50 nails.

When an air set is not used, oil the tool with pneumatic tool oil by placing 2 (two) or 3 (three) drops into the air fitting. This should be done before and after use. For proper lubrication, the tool must be fired a couple of times after pneumatic tool oil is introduced.

► Fig.4: 1. Pneumatic tool oil

FUNCTIONAL DESCRIPTION

CAUTION: Before adjusting or checking function on the tool, always return the trigger and lock lever and disconnect the hose.

Trigger and lock lever

WARNING: Make sure that your fingers are not placed on the trigger and lock lever when connecting the hose. Otherwise the tool may misfire and result in personal injury.

The tool is equipped with a lock lever to prevent the trigger from pulling accidentally. To drive the pin nails, first pull the lock lever, and then pull the trigger.

► Fig.5: 1. Lock lever

► Fig.6: 1. Trigger

Checking safety system

WARNING: Make sure all safety systems are in working order before operation. Failure to do so may cause personal injuries.

CAUTION: Make sure that the tool is not loaded with pin nails.

► Fig.7: 1. Trigger 2. Lock lever

Before pin nailing operation, check the safety system as follows:

1. Pull the sliding door of the magazine toward yourself to release the anti dry fire mechanism.
2. Unload the tool.
3. Make sure that you **cannot** pull the trigger when the lock lever is not pulled.
4. Make sure that you can pull the trigger **after** you pull the lock lever.

If the tool fails the check above, stop using the tool and ask authorized service center for repairing.

Hook

CAUTION: Make sure that your fingers are not placed on the trigger or lock lever and disconnect the hose from the tool before using the hook.

CAUTION: Never hook the tool at high location or on potentially unstable surface.

CAUTION: Do not hang the hook from the waist belt. If the nailer accidentally drops, it may result in misfiring and personal injuries.

► Fig.8: 1. Hook

The hook is convenient for hanging the tool temporarily.

Hex wrench storage

When not in use, store the hex wrench as shown to keep it from being lost.

► Fig.9: 1. Hex wrench

Air duster

⚠ CAUTION: Do not aim the ejection port of the air duster to someone. Also, keep your hands and foot away from the ejection port. If the air duster button is accidentally pushed, it may cause a personal injury.

⚠ CAUTION: Always check your surroundings before using the air duster. Blown dust or objects may hit someone.

⚠ CAUTION: Do not connect or disconnect the air hose while pushing the air duster button.

The air supplied to the tool can also be used as an air duster. You can clean the work area by pressing the button on the grip end.

► Fig.10: 1. Button

NOTICE: After using the air duster, the driving force of the tool will temporarily decline. Wait until the air pressure recovers in this case.

NOTICE: Perform a test blow if you use the air duster immediately after the oil was applied. The oil may be sprayed with the air.

ASSEMBLY

⚠ CAUTION: Before carrying out any work on the tool, always return the trigger and lock lever and disconnect the hose.

Loading pin nailer

⚠ CAUTION: Hold the sliding door when pressing the unlock button. In case pin nails are loaded in the magazine, the sliding door moves suddenly when pressing the unlock button.

⚠ CAUTION: Always move the sliding door slowly and carefully. Accidentally dropping pin nails especially when working in high places may cause personal injuries.

⚠ CAUTION: Load the same type, size and uniform length of nails when loading nails in the magazine.

NOTICE: Load pin nails in the correct direction. Loading in wrong direction may cause premature wear and tear of the driver and damage of the other parts.

NOTICE: Do not use deformed connected pin nails. Use pin nails specified in this manual. Using pin nails other than those specified may cause pin nail jamming and breakage of the pin nailer.

1. With holding the sliding door, press the unlock button and move the sliding door to open.

► Fig.11: 1. Unlock button 2. Sliding door

2. Place pin nails against the magazine and insert into the slit all the way. Be careful to place pin nails in the right direction.

3. Keeping pin nails in this position, slide these nails all the way into the driver guide.

► Fig.12: 1. Pin nails 2. Driver guide

4. Return the magazine to the original position until unlock button pops up.

Dimensions of nails

Only the following fasteners can be used with the tool.

23 Gauge pin nails

► Fig.13

Maximum

► Fig.14: (1) 35 mm

Minimum

► Fig.15: (1) 15 mm (2) 0.6 mm

Unloading pin nailer

To remove pin nails, follow the procedures of "Loading pin nailer" in reverse.

Nose adapter

When driving pin nails on delicate surfaces, use the nose adapter.

To install the nose adapter, place it over the driver guide cover so that the protrusions inside the nose adapter fit in the driver guide cover.

► Fig.16

A spare nose adapter is stored in the holder at the end of the sliding door.

► Fig.17

Connecting air hose

⚠ CAUTION: Do not rest your finger on the trigger when connecting the air hose.

► Fig.18: 1. Air fitting 2. Air socket

Slip the air socket of the air hose onto the air fitting on the tool. Be sure that the air socket locks firmly into position when installed onto the air fitting.

A hose coupling must be installed on or near the tool in such a way that the pressure reservoir will discharge at the time the air supply coupling is disconnected.

OPERATION

⚠ CAUTION: Make sure all safety systems are in working order before operation.

Checking proper action before operation

Before operation, always check following points.

- Make sure that the tool does not operate only by connecting the air hose.
- Make sure that the tool does not operate only by pulling the trigger.

Driving pin nails

⚠ WARNING: Make sure to contact the nose against the material before pulling the trigger. Misfiring may result in personal injury.

⚠ CAUTION: When not in use, always set the lock lever to the trigger lock position.

► Fig.19

1. Place the nose on the material flatly, and hold the tool firmly against the material.
2. Pull the lock lever, and pull the trigger fully to drive the pin nail.
3. After driving a pin nail, be sure to release the trigger and lock lever fully.

If the head of driven pin nail remains above the surface of material, hold the pin nailer head firmly when driving the pin nail.

► Fig.20

NOTE: When the trigger is pulled after a quick trigger action, the nailer may do nothing but operate momentarily and not fire pin nail. In that case, release the trigger and the lock lever fully before driving the pin nail again.

NOTICE: Do not use deformed nails or nail strip. Failure to do so causes poor nail feeding.

Anti dry fire mechanism

This tool is equipped with an anti dry fire mechanism. When there are a few nails remaining in the magazine, the trigger will be locked in the undepressed position to prevent the tool from being activated. When it is activated, load more nails to resume operation.

Empty indicator

When the remaining number of nails in the magazine becomes low, the empty indicator turns to red. Reload the nails when the empty indicator becomes red.

► Fig.21: 1. Empty indicator

Removing jammed pin nails

⚠ WARNING: Always return the trigger and lock lever and disconnect the hose before removing jammed nails.

When a pin nail is jammed, remove the pin nail as follows. Make sure to disconnect the hose before removing the jammed nails.

► Fig.22: 1. Bolt (A) 2. Bolt (B) 3. Driver guide cover

1. Take out pin nails that remain inside the magazine.
2. Remove the nose adapter.
3. Loosen bolt (A) and bolt (B) by turning them approximately two turns using the hex wrench provided with the pin nailer.
4. Remove driver guide cover by sliding it.
5. Remove stuck pin nails, debris, adhesives and woodchips etc. from the passage for pin nails.

6. Check the driver guide cover for stuck pin nails or other foreign matters.

7. Return the driver guide cover, secure it with these two bolts, and return the nose adapter.

MAINTENANCE

⚠ CAUTION: Always return the trigger and lock lever and disconnect the hose before attempting to perform inspection or maintenance.

NOTICE: Never use gasoline, benzine, thinner, alcohol or the like. Discoloration, deformation or cracks may result.

Maintenance of nailer

Always check the tool for its overall condition and loose screws before operation. Tighten as required.

With tool disconnected, make daily inspection to assure free movement of the lock lever and trigger. Do not use tool if the trigger or lock lever sticks or binds.

When the tool is not to be used for an extended period of time, lubricate the tool using pneumatic tool oil and store the tool in a safe place. Avoid exposure to direct sunlight and/or humid or hot environment.

► Fig.23

Maintenance of compressor, air set and air hose

After operation, always drain the compressor tank and the air filter. If moisture is allowed to enter the tool, it may result in poor performance and possible tool failure.

► Fig.24: 1. Drain cock

► Fig.25: 1. Air filter

Check regularly to see if there is sufficient pneumatic tool oil in the oiler of the air set. Failure to maintain sufficient lubrication will cause O-rings to wear quickly.

► Fig.26: 1. Oiler 2. Pneumatic tool oil

Keep the air hose away from heat (over 60°C, over 140°F), away from chemicals (thinner, strong acids or alkalis). Also, route the hose away from obstacles which it may become dangerously caught on during operation. Hoses must also be directed away from sharp edges and areas which may lead to damage or abrasion to the hose.

Nails

Handle nail strips and their box carefully. If the nail strips have been handled roughly, they may be out of shape, causing poor nail feed.

Avoid storing nails in a very humid or hot place or place exposed to direct sunlight.

To maintain product SAFETY and RELIABILITY, repairs, any other maintenance or adjustment should be performed by Makita Authorized or Factory Service Centers, always using Makita replacement parts.

OPTIONAL ACCESSORIES

⚠ CAUTION: These accessories or attachments are recommended for use with your Makita tool specified in this manual. The use of any other accessories or attachments might present a risk of injury to persons. Only use accessory or attachment for its stated purpose.

If you need any assistance for more details regarding these accessories, ask your local Makita Service Center.

- Pin nails
- Air hose
- Safety goggles

NOTE: Some items in the list may be included in the tool package as standard accessories. They may differ from country to country.





DANE TECHNICZNE

Model:	AF353
Ciśnienie powietrza	0,45–0,69 MPa (4,5–6,9 bar)
Długość gwoźdźcia	15, 18, 19, 25, 30, 35 mm
Pojemność magazynka	130 sztuk
Minimalna średnica węża	6,5 mm
Oil do narzędzi pneumatycznych	ISO VG32 lub odpowiednik
Wymiary (dług. x szer. x wys.)	208 mm x 66 mm x 191 mm
Masa netto	0,9 kg

- W związku ze stale prowadzonym przez naszą firmę programem badawczo-rozwojowym niniejsze dane mogą ulec zmianom bez wcześniejszego powiadomienia.
- Dane techniczne mogą różnić się w zależności od kraju.

Symbole

Poniżej pokazano symbole zastosowane na urządzeniu. Przed rozpoczęciem użytkowania należy zapoznać się z ich znaczeniem.

	Przeczytać instrukcję obsługi.
	Nosić okulary ochronne.
	Nosić ochronniki słuchu.
	Nie używać na rusztowaniach, drabinach.

Przeznaczenie

Narzędzie jest przeznaczone do wbijania elementów łącznych w pracach wewnątrzarskich i przy montażu mebli.

Narzędzie jest przeznaczone do profesjonalnych zastosowań o dużej wartości przerobowej. Nie wolno go używać do żadnych innych celów. Narzędzie nie jest przeznaczone do wbijania gwoździ na twardej powierzchni, takiej jak stal czy beton.

Hałas

Typowy równoważny poziom dźwięku A określony w oparciu o normę ISO11148-13 (EN12549):
 Poziom ciśnienia akustycznego (L_{pA}): 92 dB(A)
 Poziom mocy akustycznej (L_{WA}): 101 dB(A)
 Niepewność (K): 3 dB(A)

WSKAZÓWKA: Deklarowana wartość emisji hałasu została zmierzona zgodnie ze standardową metodą testową i można ją wykorzystać do porównywania narzędzi.

WSKAZÓWKA: Deklarowaną wartość emisji hałasu można także wykorzystać we wstępnej ocenie narażenia.

⚠️ OSTRZEŻENIE: Nosić ochronniki słuchu.

⚠️ OSTRZEŻENIE: Poziom hałasu wytwarzanego podczas rzeczywistego użytkowania elektronarzędzia może się różnić od wartości deklarowanej w zależności od sposobu użytkowania narzędzia, a w szczególności od rodzaju obrabianego elementu.

⚠️ OSTRZEŻENIE: W oparciu o szacowane narażenie w rzeczywistych warunkach użytkowania należy określić środki bezpieczeństwa w celu zapewnienia ochrony operatora (uwzględniając wszystkie elementy cyklu działania, tj. czas, kiedy narzędzie jest wyłączone i kiedy pracuje na biegu jałowym, a także czas, kiedy jest włączone).

Drgania

Całkowita wartość poziomu drgań określona według ISO11148-13 (ISO8662-11):
 Emisja drgań (a_{h1}): 3,7 m/s²
 Niepewność (K): 1,5 m/s²

WSKAZÓWKA: Deklarowana wartość poziomu drgań została zmierzona zgodnie ze standardową metodą testową i można ją wykorzystać do porównywania narzędzi.

WSKAZÓWKA: Deklarowaną wartość poziomu drgań można także wykorzystać we wstępnej ocenie narażenia.

⚠️ OSTRZEŻENIE: Drgania wytwarzane podczas rzeczywistego użytkowania elektronarzędzia mogą się różnić od wartości deklarowanej w zależności od sposobu użytkowania narzędzia, a w szczególności od rodzaju obrabianego elementu.

⚠️ OSTRZEŻENIE: W oparciu o szacowane narażenie w rzeczywistych warunkach użytkowania należy określić środki bezpieczeństwa w celu zapewnienia ochrony operatora (uwzględniając wszystkie elementy cyklu działania, tj. czas, kiedy narzędzie jest wyłączone i kiedy pracuje na biegu jałowym, a także czas, kiedy jest włączone).

Deklaracja zgodności WE

Dotyczy tylko krajów europejskich

Deklaracja zgodności WE jest dołączona jako załącznik A do niniejszej instrukcji obsługi.

OSTRZEŻENIA DOTYCZĄCE BEZPIECZEŃSTWA

Ostrzeżenia dotyczące bezpieczeństwa dla gwoździarki pneumatycznej / zszywacza pneumatycznego

⚠ OSTRZEŻENIE: Przeczytać wszystkie ostrzeżenia bezpieczeństwa i wszystkie instrukcje. Nieprzestrzeganie ostrzeżeń i instrukcji może doprowadzić do poważnych obrażeń, porażenia prądem elektrycznym i/lub pożaru.

Wszystkie ostrzeżenia i instrukcje należy zachować do wykorzystania w przyszłości.

Dla własnego bezpieczeństwa, a także w celu prawidłowej obsługi i konserwacji narzędzia należy przed rozpoczęciem użytkowania narzędzia przeczytać niniejszą instrukcję obsługi.

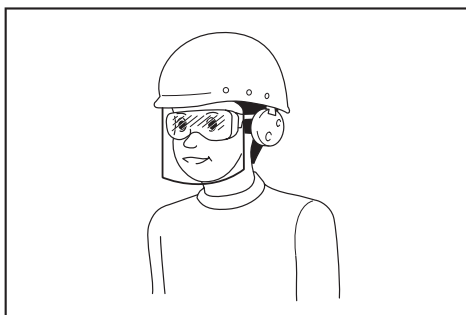
Ogólne zasady bezpieczeństwa

1. Dozwolone jest korzystanie z narzędzia wyłącznie zgodnie z jego przeznaczeniem. Narzędzia do wbijania elementów złącznych z ciągłym wbijaniem kontaktowym lub wbijaniem kontaktowym należy używać wyłącznie do zastosowań produkcyjnych.
2. Trzymać palce z dala od spustu, gdy narzędzie nie jest używane lub jest przenoszone z miejsca na miejsce.
3. Istnieją różnego rodzaju zagrożenia. Przed przystąpieniem do podłączania, odłączania, ładowania, obsługi, konserwacji, wymiany akcesoriów lub pracy w pobliżu narzędzia należy uważnie przeczytać instrukcje bezpieczeństwa. Nieprzestrzeganie powyższego zalecenia może prowadzić do poważnych obrażeń.
4. Wszystkie części ciała, w tym ręce i nogi, należy trzymać z daleka od kierunku wbijania. Należy też upewnić się, że element złączny nie przebieje obrabianego elementu w sposób grożący uszkodzeniem ciała.
5. Podczas korzystania z narzędzia należy pamiętać, że element złączny może odskoczyć i spowodować obrażenia.
6. Należy mocno trzymać narzędzie i przygotować się na odrzut.
7. Z narzędzia do wbijania elementów złącznych powinni korzystać jedynie operatorzy przeszkoleni technicznie.

8. Nie należy modyfikować narzędzia do wbijania elementów złącznych. Modyfikacje mogą zmniejszyć efektywność zabezpieczeń oraz zwiększyć ryzyko dla operatora i/lub osób postronnych.
9. Tą instrukcję obsługi należy zachować do wykorzystania w przyszłości.
10. Nie używać narzędzia, jeśli jest ono uszkodzone.
11. Zachować ostrożność w trakcie obchodzenia się z elementami złącznymi, zwłaszcza podczas ich ładowania i wyjmowania, ponieważ mają one ostre końcówki, które mogą spowodować obrażenia.
12. Przed przystąpieniem do pracy należy sprawdzić narzędzie pod kątem uszkodzonych, rozłączonych lub zużytych części.
13. Nie sięgać zbyt daleko. Używać narzędzia wyłącznie w bezpiecznym miejscu pracy. Zawsze stać na pewnym podłożu i utrzymywać równowagę.
14. Osoby postronne powinny zachować bezpieczny dystans (w miejscach, w których istnieje ryzyko ruchu takich osób). Obszar pracy należy oznaczyć w wyraźny sposób.
15. Nigdy nie należy kierować narzędzia w stronę siebie ani innych osób.
16. Podnosząc narzędzie, przenosząc je pomiędzy obszarami pracy i pozycjami lub chodząc, nie należy opierać palca o spust, ponieważ może to doprowadzić do niezamierzonego uruchomienia. W przypadku narzędzi z trybem wbijania selektywnego należy zawsze upewnić się, że włączony jest prawidłowy tryb.
17. Należy korzystać wyłącznie z rękawic, które zapewniają odpowiednie wyczucie oraz bezpieczną kontrolę nad spustem i innymi urządzeniami regulacyjnymi.
18. Narzędzie należy odkładać na płaską powierzchnię. W przypadku korzystania z zaczepu dostarczonego wraz z narzędziem należy bezpiecznie zaczepiać narzędzie na stabilnych powierzchniach.
19. Nie wolno obsługiwać narzędzia, będąc pod wpływem alkoholu, narkotyków ani innych środków odurzających.

Obiekty wyrzucane z dużą siłą

1. Przed przystąpieniem do wyjmowania elementów złącznych, regulacji, usuwania zacięć albo zmiany akcesoriów należy odłączyć od zasilania narzędzie do wbijania elementów złącznych.
2. W trakcie pracy należy zwracać uwagę na to, czy elementy złączne poprawnie przebijają materiał i nie mogą odbić się/zostać niepoprawnie wystrzelone w stronę operatora oraz/lub osób postronnych.
3. W trakcie pracy od obrabianego materiału oraz systemu mocowania lub sortowania mogą być odrzucane odpadki.
4. Należy zawsze nosić okulary ochronne, aby zabezpieczyć oczy przed urazami podczas użytkowania elektronarzędzia. Okulary ochronne muszą spełniać wymagania normy ANSI Z87.1 w USA, EN 166 w Europie oraz AS/NZS 1336 w Australii/Nowej Zelandii. Przepisy prawne obowiązujące w Australii/Nowej Zelandii wymagają również obowiązkowego stosowania osłony twarzy.



Odpowiedzialność za egzekwowanie używania odpowiednich środków ochrony osobistej przez operatorów narzędzi oraz inne osoby przebywające w bezpośrednim sąsiedztwie obszaru roboczego ponosi pracodawca.

5. Operator musi ocenić stopień ryzyka dla osób postronnych.
6. Należy zachować ostrożność podczas obchodzenia się z narzędziami bez styku z obrabianym elementem, ponieważ mogą one wystrzelić w sposób niezamierzony i spowodować obrażenia ciała operatora oraz/lub osób postronnych.
7. Należy dbać o to, aby narzędzie było bezpiecznie oparte na obrabianym elemencie tak, żeby nie mogło się ześlizgnąć.
8. Należy nosić ochronniki słuchu zabezpieczające przed hałasem powodowanym przez sprężone powietrze, a także sprzęt ochrony głowy. Ponadto należy nosić lekką, ale nie luźną odzież. Rękawy powinny być zapięte lub podwiniete. Nie należy nosić krawata.

Ryzyko eksploatacyjne

1. Narzędzie należy trzymać poprawnie, tak aby przygotować się na normalne i nagłe ruchy, takie jak odrzut.
2. Utrzymywać równowagę ciała i odpowiednią postawę.
3. Należy nosić odpowiednie okulary ochronne. Zalecane jest też korzystanie z odpowiednich rękawic i innego ubioru ochronnego.
4. Należy korzystać z odpowiednich ochronników słuchu.
5. Należy korzystać z właściwych źródeł zasilania zgodnie z instrukcją obsługi.
6. Nie należy używać narzędzia na poruszających się platformach ani w tylnej części wózków. Nagły ruch platformy może spowodować utratę kontroli nad narzędziem i doprowadzić do wystąpienia obrażeń ciała.
7. Należy zawsze zakładać, że w narzędziu znajdują się elementy złączne.
8. Nie należy wykonywać pracy pośpiesznie ani nie przeciążać narzędzia. Z narzędziem należy obchodzić się ostrożnie.
9. Podczas pracy z narzędziem należy zadbać o dobre oparcie dla nóg i utrzymywanie równowagi. Podczas pracy na wysokościach należy się upewnić, że na dole nie ma nikogo, a ponadto zabezpieczyć wąż pneumatyczny przed gwałtownymi ruchami.

10. Podczas pracy na dachach i innych wysokich miejscach elementy złączne należy wkręcać, posuwając się do przodu. Cofanie się podczas wkręcania elementów złącznych grozi utratą oparcia dla nóg. Podczas wkręcania elementów złącznych w pionową powierzchnię należy pracować od góry do dołu. W ten sposób wykonywana praca jest mniej męcząca.
11. Element złączny może zostać zgięty lub narzędzie może się zablokować w przypadku omyłkowego wkręcenia elementu złącznego w już wkręcony element złączny lub w sęk w drewnie. W takiej sytuacji element złączny może zostać wyrzucony i uderzyć w kogoś lub może wystąpić niebezpieczna reakcja narzędzia. Elementy złączne należy umieszczać z zachowaniem ostrożności.
12. Nie wolno pozostawiać na długi okres na słońcu załadowanego narzędzia ani znajdującej się po ciśnieniu sprężarki powietrza. Należy zadbać, aby do pozostawionego narzędzia nie przedostał się pył, piasek, wiórki ani inne ciała obce.
13. W żadnym wypadku nie należy wkręcać elementów złącznych równocześnie od wewnątrz i od zewnątrz. Elementy złączne mogą przebić się na wylot i/lub zostać wyrzucone w powietrze, stwarzając poważne niebezpieczeństwo.

Ryzyko związane z cyklicznie powtarzanymi ruchami

1. Używanie narzędzia przez długi czas może prowadzić do dyskomfortu w dłoniach, ramionach, barkach, szyi lub innych częściach ciała.
2. W trakcie pracy operator powinien przyjąć optymalną, ale jednocześnie ergonomiczną, postawę. Utrzymywać odpowiednią postawę i unikać zaburzenia równowagi ciała.
3. Nie ignorować objawów takich, jak uporczywy lub nawracający dyskomfort, pulsujący ból, mrowienie, zdrętwienie, uczucie pieczenia czy zesztywnienie. Operator powinien skonsultować się z wykwalifikowanym pracownikiem służby zdrowia.
4. Przedłużające się korzystanie z narzędzia może prowadzić do urazów na skutek długotrwałego powtarzania czynności ze względu na odrzut narzędzia.
5. Aby uniknąć urazów naprężeniowych, operator nie powinien sięgać narzędziem na zbyt dużą odległość ani używać nadmiernej siły. Ponadto operator powinien odpocząć, gdy poczuje zmęczenie.
6. Należy przeprowadzić ocenę dotyczącą zagrożeń związanych z wykonywaniem powtarzalnych ruchów. Powinna ona w szczególności dotyczyć możliwości wystąpienia urazów mięśniowo-szkieletowych i jeśli to konieczne opierać się na założeniu, że odpowiedni odpowiedź w trakcie pracy skutecznie przyczynia się do zmniejszenia ryzyka występowania urazów.

Zagrożenia związane z akcesoriami i materiałami eksploatacyjnymi

1. Przed przystąpieniem do zmiany/wymiany akcesoriów, takich jak element stykający się z obrabianym materiałem, lub do regulacji narzędzia należy odłączyć źródło zasilania (np. powietrzem, gazem lub prądem).
2. Należy korzystać z rozmiarów i typów akcesoriów wskazanych przez producenta.
3. Używać tylko smarów zalecanych w tej instrukcji.

Zagrożenia związane z miejscem pracy

1. Poślizgnięcia, potknięcia i upadki są główną przyczyną urazów w miejscu pracy. Należy zwracać uwagę na śliskie powierzchnie występujące wskutek pracy z użyciem narzędzia oraz na ryzyko potknięcia się o wąż powietrza.
2. Szczególną ostrożność należy zachować w nieznanych miejscach pracy. Mogą być w nich obecne ukryte zagrożenia, takie jak przewody elektryczne.
3. Narzędzia nie należy używać w atmosferach potencjalnie wybuchowych i nie jest ono izolowane przed energią elektryczną.
4. Należy się upewnić, że w obszarze pracy nie ma żadnych przewodów elektrycznych, rur z gazem itp., które mogłyby stanowić zagrożenie po uszkodzeniu przez narzędzie.
5. W miejscu pracy należy utrzymywać czystość i zadbać o dobre oświetlenie. Nieporządek bądź słabe oświetlenie sprzyjają wypadkom.
6. Należy przestrzegać lokalnie obowiązujących przepisów dotyczących dopuszczalnych poziomów hałasu. W niektórych przypadkach w celu ograniczenia emisji hałasu należy stosować ruchome osłony.

Zagrożenia związane z kurzem i wydmuchem

1. Zawsze należy zwracać uwagę na otoczenie. Powietrze wydmuchiwane z narzędzia może zdmuchnąć kurz lub przedmioty, które mogą uderzyć operatora oraz/lub osoby postronne.
2. Wylot powietrza narzędzia należy kierować w taki sposób, aby nie powodować wzbijania pyłu w otoczeniu, w którym występuje duże zapylenie.
3. Jeśli w miejscu pracy wytwarzana jest duża ilość pyłu lub cząstek, należy ją możliwie jak najbardziej zredukować w celu zmniejszenia zagrożenia dla zdrowia i ryzyka wystąpienia obrażeń ciała.

Zagrożenia związane z hałasem

1. Narażenie na wysoki poziom hałasu bez ochronników słuchu może spowodować trwałą utratę słuchu oraz inne problemy, takie jak szumy uszne (dzwonienie, brzęczenie, piski lub trzaski w uszach).
2. Należy przeprowadzić ocenę dotyczącą zagrożeń związanych z występowaniem hałasu w miejscu pracy oraz wdrożyć odpowiednie środki kontroli tych zagrożeń.
3. Poziom hałas można kontrolować w celu zmniejszenia ryzyka, na przykład poprzez korzystanie z materiałów wyciszających, które zapobiegają "dzwonieniu" obrabianego materiału.

4. Używać odpowiednich ochronników słuchu.
5. Aby zapobiec nadmiernej emisji hałasu, użytkować i konserwować narzędzie zgodnie z zaleceniami zawartymi w tej instrukcji.
6. Należy stosować środki mające na celu zmniejszenie natężenia generowanego hałasu, np. umieszczając obrabiany element na wspornikach tłumiących dźwięk.

Zagrożenia związane z drganiami

1. Ilość drgań powstających w trakcie korzystania z narzędzia zależy od siły chwytu, siły nacisku kontaktowego, kierunku pracy, regulacji źródła energii, obrabianego elementu i jego podparcia. Należy przeprowadzić ocenę dotyczącą zagrożeń związanych z występowaniem drgań i wdrożyć odpowiednie środki kontroli tych zagrożeń.
2. Narażenie na wibracje może stać się przyczyną porażenia nerwów i zaburzeń w dopływie krwi do kończyn górnych.
3. W zimnych warunkach należy nosić ciepłe ubranie i dbać, aby ręce były ciepłe i suche.
4. Jeśli pojawia się zdrętwienie, mrowienie, ból lub bladeść skóry palców albo dłoni, zasięgnij porady wykwalifikowanego eksperta BHP.
5. Aby zapobiec nadmiernej emisji drgań, użytkować i konserwować narzędzie zgodnie z zaleceniami zawartymi w tej instrukcji.
6. Narzędzie należy trzymać pewnie, ale jednocześnie lekko, ponieważ ryzyko związane z drganiami rośnie wraz z siłą nacisku.

Dodatkowe ostrzeżenia dotyczące pracy z narzędziami pneumatycznymi

1. Sprężone powietrze może spowodować poważne obrażenia.
2. Zawsze wyłączać źródło powietrza i odłączać od niego narzędzie, gdy nie jest używane.
3. Przed przystąpieniem do zmiany akcesorium, wprowadzenia zmian i/lub wykonania naprawy, a także przed przeniesieniem narzędzia w inne miejsce pracy, należy bezwzględnie odłączyć narzędzie od źródła sprężonego powietrza.
4. Trzymać palce z dala od spustu, gdy narzędzie nie jest używane lub jest przenoszone z miejsca na miejsce.
5. Sprężonego powietrza nie należy kierować na siebie ani żadną inną osobę.
6. Gwałtownie poruszający się wąż może spowodować poważne obrażenia. Węże i złączki należy sprawdzać pod kątem uszkodzeń i luzów.
7. Narzędzia pneumatycznego nie należy przenosić, trzymając je za wąż.
8. Narzędzia pneumatycznego nie należy ciągnąć za wąż.
9. W trakcie korzystania z narzędzi pneumatycznych nie należy przekraczać maksymalnego ciśnienia roboczego (ps max).
10. Narzędzia pneumatyczne powinny być zasilane wyłącznie przez sprężone powietrze o minimalnym ciśnieniu wymaganym do pracy, aby obniżyć hałas i drgania oraz zminimalizować zużycie.

11. Używanie tlenu i gazów łatwopalnych w narzędziach pneumatycznych wiąże się z zagrożeniem pożarem i wybuchem.
12. W trakcie korzystania z narzędzia pneumatycznego należy zachować ostrożność, ponieważ może ono stać się zimne, co wpływa na pewność chwytu i kontrolę nad narzędziem.

Urządzenia zabezpieczające

1. **Przed przystąpieniem do pracy należy sprawdzić działanie wszystkich układów bezpieczeństwa.** Samo pociągnięcie za spust lub dociśnięcie ramienia stykowego do drewna nie może włączać narzędzia. Narzędzie musi się uruchamiać dopiero po wykonaniu obu tych czynności. Sprawdź prawidłowość działania narzędzia z rozładowanym magazynikiem i przy całkowicie wyciągniętym popychaczu.
2. **Bardzo niebezpieczne jest unieruchamianie spustu w położeniu włączenia.** W żadnym wypadku nie wolno tego robić.
3. **Nie wolno utrzymywać elementu stykowego lub innych urządzeń zabezpieczających w położeniu wciśniętym za pomocą taśmy lub drutu.** Może stać się to powodem poważnych obrażeń ciała lub śmierci.

Serwis

1. **Bezpośrednio po zakończeniu pracy narzędzie należy wyczyścić i zakonserwować.** Narzędzie należy utrzymywać w idealnym stanie technicznym. Części ruchome należy smarować w celu zabezpieczenia przed korozją i ograniczenia do minimum zużycia ciernego. Części te należy całkowicie oczyścić z pyłu.
2. **Okresowe przeglądy narzędzia powinny być przeprowadzane przez autoryzowane centrum serwisowe firmy Makita.**
3. **W celu zachowania BEZPIECZEŃSTWA i NIEZAWODNOŚCI produktu konserwacje i naprawy powinny być przeprowadzane przez autoryzowane punkty serwisowe firmy Makita, zawsze z użyciem oryginalnych części zamianowych firmy Makita.**
4. **Narzędzie należy zutylizować zgodnie z lokalnymi przepisami.**

ZACHOWAĆ NINIEJSZĄ INSTRUKCJĘ.

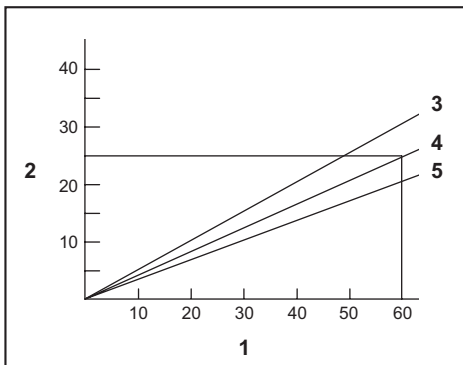
⚠ OSTRZEŻENIE: NIE WOLNO pozwolić, aby wygoda lub rutyna (nabyta w wyniku wielokrotnego używania urządzenia) zastąpiły ścisłe przestrzeganie zasad bezpieczeństwa obsługi. **NIEWŁAŚCIWE UŻYTKOWANIE** narzędzia lub niestosowanie się do zasad bezpieczeństwa podanych w niniejszej instrukcji obsługi może prowadzić do poważnych obrażeń ciała.

OPIS CZĘŚCI

- Rys.1: 1. Dźwignia blokady 2. Spust 3. Zaczep 4. Adapter noska 5. Przesuwana osłona

INSTALACJA

Wybór sprężarki



1. Częstotliwość wbijania gwoździ (razy/min)
2. Wydajność sprężarki powietrza na minutę (l/min)
3. 0,69 MPa (6,9 bar) 4. 0,57 MPa (5,7 bar) 5. 0,45 MPa (4,5 bar)

Sprężarka powietrza musi spełniać wymagania normy EN60335-2-34.

Aby zapewnić efektywną pracę, należy wybrać taką sprężarkę, która zagwarantuje wystarczające ciśnienie i wydajność sprężarki powietrza. Na wykresie widzimy zależność pomiędzy częstotliwością wbijania gwoździ, ciśnieniem roboczym i wydajnością sprężarki.

Jeśli np. chce się wbijać gwoździe z prędkością 60 razy na minutę z ciśnieniem 0,57 MPa (5,7 bar), potrzebna będzie sprężarka o wydajności 25 litrów powietrza na minutę.

Tam, gdzie ciśnienie zasilania przekracza ciśnienie znamionowe narzędzia, należy stosować reduktory ciśnienia. Zaniedbywanie tego może doprowadzić do poważnych wypadków, których ofiarami będą osoby obsługujące narzędzie oraz postronni.

Wybór węża pneumatycznego

⚠ PRZESTROGA: Niska wydajność sprężarki powietrza oraz długi i/lub cienki wąż pneumatyczny w połączeniu z wysoką częstotliwością wbijania gwoździ mogą spowodować obniżenie wydajności pracy narzędzia.

► Rys.2

Aby zapewnić ciągłe, wydajne wbijanie gwoździ, należy stosować wąż powietrza o możliwie największej średnicy i możliwie jak najkrótszy.

Przy ciśnieniu wynoszącym 0,49 MPa (4,9 bar) zalecany jest wąż doprowadzający powietrze o średnicy wewnętrznej powyżej 6,5 mm i długości poniżej 20 m - przy założeniu, że odstępy pomiędzy wbijaniem gwoździ wynoszą 0,5 sekundy.

Przewody dostarczające powietrze charakteryzują się minimalnym ciśnieniem roboczym wynoszącym 1,03 MPa (10,3 bar) lub 150 procent maksymalnego ciśnienia wytwarzanego przez układ, w zależności od tego, co jest wyższe.

Smarowanie

► Rys.3

Aby uzyskać maksymalną wydajność, zespół przygotowania powietrza (to znaczy olejarkę, regulator i filtr powietrza) należy zamontować jak najbliżej narzędzia. Olejarkę trzeba wyregulować tak, aby podawała jedną kroplę oleju na każde 50 gwoździ.

Jeśli zespół przygotowania powietrza nie jest używany, narzędzie należy smarować olejem do narzędzi pneumatycznych, wpuszczając do wlotu powietrza dwie (2) do trzech (3) kropli takiego oleju. Należy wykonywać to przed przystąpieniem do pracy i po jej zakończeniu. Aby zapewnić prawidłowe smarowanie narzędzia, należy je kilka razy uruchomić po wpuszczeniu oleju do narzędzi pneumatycznych.

► Rys.4: 1. Olej do narzędzi pneumatycznych

OPIS DZIAŁANIA

▲PRZESTROGA: Przed przystąpieniem do regulacji lub kontroli działania narzędzia zawsze należy zablokować spust i dźwignię blokady oraz odłączyć wąż.

Spust i dźwignia blokady

▲OSTRZEŻENIE: Przy podłączaniu węża należy zawsze pamiętać, aby nie trzymać palców na spuście ani na dźwigni blokady. Niezastosowanie się do tego zalecenia grozi przypadkowym wystrzałem i poważnymi obrażeniami ciała.

Narzędzie jest wyposażone w dźwignię blokady, która zapobiega przypadkowemu pociągnięciu za spust. Aby wbić gwoźdź, należy najpierw pociągnąć za dźwignię blokady, a dopiero potem za spust.

► Rys.5: 1. Dźwignia blokady

► Rys.6: 1. Spust

Kontrola układu bezpieczeństwa

▲OSTRZEŻENIE: Przed przystąpieniem do pracy należy sprawdzić działanie wszystkich układów bezpieczeństwa. Niezastosowanie się do tej zasady może spowodować obrażenia ciała.

▲PRZESTROGA: Należy się upewnić, że w narzędziu nie ma gwoździ.

► Rys.7: 1. Spust 2. Dźwignia blokady

Przed przystąpieniem do wbijania gwoździ sprawdź układ bezpieczeństwa, wykonując następujące czynności:

1. Pociągnąć do siebie przesuwaną osłonę magazynka, aby zwolnić mechanizm zabezpieczający przed pustym wystrzałem.
2. Opróżnić narzędzie.
3. Upewnić się, że **nie można** pociągnąć za spust, o ile nie pociągnie się za dźwignię blokady.

4. Upewnić się, że można pociągnąć za spust po pociągnięciu za dźwignię blokady.

Jeśli narzędzie nie przejdzie powyższej kontroli, zaprzestać korzystania z niego i przesłać je do autoryzowanego serwisu do naprawy.

Zaczep

▲PRZESTROGA: Przed użyciem zaczepu należy się zawsze upewnić, że palec nie spoczywa na spuście ani na dźwigni blokady, a wąż jest odłączony od narzędzia.

▲PRZESTROGA: Nie wolno wieszac narzędzia wysoko lub na potencjalnie niestabilnej powierzchni.

▲PRZESTROGA: Nie wolno zawieszac zaczepu na pasku spodni. Jeśli gwoździarka zostanie przypadkowo upuszczona, może się przypadkowo uruchomić i spowodować obrażenia ciała.

► Rys.8: 1. Zaczep

Zaczep jest przydatny, aby na chwilę zawiesić narzędzie.

Miejsce na klucz imbusowy

Kiedy klucz imbusowy nie jest używany, należy go przechowywać w pokazany sposób, aby się nie zgubił.

► Rys.9: 1. Klucz imbusowy

Odpylacz powietrzny

▲PRZESTROGA: Nie należy kierować wylotu odpylacza powietrznego na inne osoby. Nie należy również zbliżać dłoni ani stóp do wylotu odpylacza. Przypadkowe naciśnięcie przycisku odpylacza powietrznego może spowodować obrażenia ciała.

▲PRZESTROGA: Przed użyciem odpylacza powietrznego należy zawsze sprawdzić swoje otoczenie. Wydychany pył lub cząstki stałe mogą kogoś uderzyć.

▲PRZESTROGA: Nie należy podłączać ani odłączać węża pneumatycznego podczas naciskania przycisku odpylacza powietrznego.

Sprężone powietrze dostarczane do narzędzia może być również użyte w charakterze odpylacza powietrznego. Obszar roboczy powinien być oczyszczony przez naciśnięcie przycisku na końcu uchwytu.

► Rys.10: 1. Przycisk

UWAGA: Po użyciu odpylacza powietrznego siła napędowa narzędzia ulegnie chwilowemu zmniejszeniu. Należy wówczas poczekać, aż ciśnienie powietrza powróci do właściwej wartości.

UWAGA: W przypadku użycia odpylacza powietrznego bezpośrednio po wlewniu oleju należy wykonać wydmuch kontrolny. W wydmuchiwanym powietrzu może znajdować się olej.

MONTAŻ

⚠ PRZESTROGA: Przed przystąpieniem do pracy przy narzędziu zawsze należy zablokować spust i dźwignię blokady oraz odłączyć wąż.

Ładowanie gwoździ

⚠ PRZESTROGA: Przy naciskaniu przycisku odblokowywania przytrzymać przesuwaną osłonę. Kiedy w magazynku są załadowane gwoździe, przesuwana osłona porusza się w nagły sposób po naciśnięciu przycisku odblokowywania.

⚠ PRZESTROGA: Przesuwaną osłonę należy przesuwac powoli i ostrożnie. Przypadkowe upuszczenie gwoździ, zwłaszcza podczas pracy na wysokości, może spowodować obrażenia ciała.

⚠ PRZESTROGA: Do magazynka należy ładować gwoździe tego samego typu, a także tej samej grubości i długości.

UWAGA: Gwoździe należy ładować we właściwym kierunku. Załadowanie w kierunku odwrotnym może powodować zbytne zużywanie się młotka oraz innych części narzędzia.

UWAGA: Nie używać odkształconych gwoździ. Należy używać tylko gwoździ wskazanych w tej instrukcji. Używanie innych gwoździ może powodować blokowanie się ich w narzędziu, a nawet jego uszkodzenie.

1. Trzymając przesuwaną osłonę, nacisnąć przycisk odblokowywania i przesunąć osłonę, aby ją otworzyć.
▶ **Rys.11:** 1. Przycisk odblokowywania
2. Przesuwana osłona
2. Dopasować gwoździe do magazynka i wsunąć je całkowicie do szczeliny. Pamiętaj o ustawieniu gwoździ we właściwym kierunku.
3. Utrzymując gwoździe w tym położeniu, wsunąć je całkowicie do prowadnicy młotka.
▶ **Rys.12:** 1. Gwoździe 2. Prowadnica młotka
4. Przesunąć magazynek z powrotem do pozycji wyjściowej, tak aby wyskoczył przycisk odblokowywania.

Wymiary gwoździ

W narzędziu można używać wyłącznie przedstawionych poniżej elementów złącznych.

Gwoździe typu 23

▶ **Rys.13**

Maksymalnie

▶ **Rys.14:** (1) 35 mm

Minimalnie

▶ **Rys.15:** (1) 15 mm (2) 0,6 mm

Rozładowywanie sztyfcarki

Aby wyjąć gwoździe, należy wykonać procedurę "Ładowanie gwoździ" w odwrotnej kolejności.

Adapter noska

Do wbijania gwoździ w delikatne powierzchnie użyć adaptera noska.

Aby zamontować adapter noska, umieścić go na osłonie prowadnicy młotka w taki sposób, żeby występy wewnątrz adaptera pasowały do osłony prowadnicy młotka.

▶ **Rys.16**

W uchwycie na końcu przesuwanej osłony znajduje się zapasowy adapter noska.

▶ **Rys.17**

Podłączanie węża pneumatycznego

⚠ PRZESTROGA: Podczas podłączania węża powietrza nie należy trzymać palca na spuście.

▶ **Rys.18:** 1. Złączka powietrza 2. Gniazdo powietrza
Nasunąć końcówkę węża powietrza na przyłączy wlotowe powietrza w narzędziu. Upewnić się, że końcówka prawidłowo zablokowała się na przyłączy. Złącze węża musi być zamontowane na narzędziu lub blisko niego, tak aby rozładowanie ciśnienia w zbiorniku następowało jednocześnie z odłączeniem doprowadzenia powietrza.

OBSŁUGA

⚠ PRZESTROGA: Przed przystąpieniem do pracy należy sprawdzić działanie wszystkich układów bezpieczeństwa.

Sprawdzanie prawidłowego działania przed rozpoczęciem pracy

Przed rozpoczęciem pracy zawsze należy sprawdzić następujące elementy.

- Upewnić się, że narzędzie nie uruchamia się wyłącznie poprzez podłączenie węża pneumatycznego.
- Upewnić się, że narzędzie nie uruchamia się wyłącznie poprzez pociągnięcie spustu.

Wbijanie gwoździ

⚠ OSTRZEŻENIE: Przed pociągnięciem za spust należy upewnić się, że nosek przylega do materiału. Przypadkowy wystrzał może prowadzić do powstania obrażeń ciała.

⚠ PRZESTROGA: Gdy narzędzie nie jest używane, należy ustawić dźwignię blokującą w pozycji blokady spustu.

▶ **Rys.19**

1. Umieścić nosek płasko na materiale i mocno docisnąć narzędzie do materiału.
2. Pociągnąć za dźwignię blokady, a potem całkowicie za spust, aby wbić gwoździe.

3. Po wystrzeleniu gwoźdźcia zawsze całkowicie zwolnić spust i dźwignię blokady.

Jeśli główka wystrzelonego gwoźdźcia wystaje ponad powierzchnię materiału, należy mocno trzymać głowicę sztyfcarki w trakcie wbijania.

► **Rys.20**

WSKAZÓWKA: Kiedy zaraz po szybkim pociągnięciu za spust pociągnij się go ponownie, sztyfcarka może nie zareagować na drugie pociągnięcie. W takim przypadku należy przed ponownym wbiciem w pełni zwolnić spust oraz dźwignię blokady.

UWAGA: Nigdy nie używać odkształconych gwoździ ani odkształconego paska gwoździ. Nieprzestrzeganie tej zasady może skutkować nieprawidłowym podawaniem gwoździ.

Mechanizm zabezpieczający przed pustym wystrzałem

To narzędzie ma mechanizm zabezpieczający przed pustym wystrzałem (bez elementu złącznego). Kiedy w magazynku zostanie tylko kilka gwoździ, spust zostanie zablokowany w pozycji niewciśniętej, aby uniemożliwić uruchomienie narzędzia. W takiej sytuacji należy uzupełnić gwoździe w celu wznowienia pracy.

Wskaźnik opróżnienia magazynka

Gdy w magazynku pozostanie niewielka liczba gwoździ, zaświeci się na czerwono wskaźnik opróżnienia magazynka. Kiedy wskaźnik zapali się na czerwono, należy załadować gwoździe.

► **Rys.21:** 1. Wskaźnik opróżnienia magazynka

Usuwanie zablokowanych gwoździ

⚠ OSTRZEŻENIE: Przed przystąpieniem do usuwania zablokowanych gwoździ zawsze należy zablokować spust i dźwignię blokady oraz odłączyć wąż.

Zablokowane gwoździe należy usuwać w opisany poniżej sposób. Przed przystąpieniem do usuwania zablokowanych gwoździ odłączyć wąż.

► **Rys.22:** 1. Śruba (A) 2. Śruba (B) 3. Osłona przewodnicy młotka

1. Usunąć pozostałe w magazynku gwoździe.
2. Zdemontować adapter noska.
3. Poluzować śrubę (A) oraz (B), obracając je o ok. dwa obroty kluczem imbusowym dostarczonym z narzędziem.
4. Zdjąć osłonę przewodnicy młotka, przesuwając ją.
5. Usunąć z kanału prowadzącego zablokowane gwoździe, części kleju, trociny itp.
6. Sprawdzić osłonę przewodnicy młotka pod kątem obecności zablokowanych gwoździ i innych ciał obcych.
7. Założyć z powrotem osłonę przewodnicy młotka, zamocować ją za pomocą dwóch śrub i założyć ponownie adapter noska.

KONSERWACJA

⚠ PRZESTROGA: Przed przystąpieniem do przeglądu lub konserwacji narzędzia należy zawsze zablokować spust i dźwignię blokady oraz odłączyć wąż.

UWAGA: Nie stosować benzyny, rozpuszczalników, alkoholu itp. środków. Mogą one powodować odbarwienia, odkształcenia lub pęknięcia.

Konserwacja sztyfcarki

Przed przystąpieniem do pracy należy zawsze sprawdzić ogólny stan narzędzia i występowanie obluźwanych śrub. W razie potrzeby dokręcić obluźwane śruby.

Codziennie odłączać narzędzie i sprawdzać, czy dźwignia blokady i spust poruszają się bez oporów. Jeśli dźwignia blokady lub spust się zacina, nie wolno używać narzędzia.

Kiedy narzędzie nie będzie używane przez dłuższy czas, należy je zakonserwować olejem do narzędzi pneumatycznych i schować w bezpiecznym miejscu. Unikać wystawiania narzędzia na promienie słońca oraz/lub wilgoć i wysoką temperaturę.

► **Rys.23**

Konserwacja sprężarki, zestawu pneumatycznego i węża

Po pracy należy zawsze opróżnić zbiornik sprężarki oraz filtr powietrza. Jeśli do narzędzia przedostanie się woda, może spowodować to słabe działanie narzędzia, a nawet jego uszkodzenie.

► **Rys.24:** 1. Kurek spustowy

► **Rys.25:** 1. Filtr powietrza

Należy systematycznie sprawdzać poziom oleju w olejarkę zestawu pneumatycznego. Niewystarczające smarowanie powoduje szybkie zużywanie się pierścieni O-ring.

► **Rys.26:** 1. Olejarka 2. Olej do narzędzi pneumatycznych

Wąż pneumatyczny należy trzymać z dala od źródeł ciepła (ponad 60°C (140°F)) oraz substancji chemicznych (rozcieńczalników, silnych kwasów i zasad). Wąż należy także prowadzić z dala od przeszkód, które mogą go niebezpiecznie blokować podczas pracy. Wąż nie może też stykać się z ostrymi krawędziami i przedmiotami powodującymi obcieranie i inne uszkodzenia.

Gwoździe

Należy ostrożnie obchodzić się z paskami gwoździ i ich opakowaniem. Niewłaściwe obchodzenie się z paskami gwoździ może spowodować ich wygięcie, co z kolei prowadzi do problemów z ich podawaniem.

Unikać przechowywania gwoździ w bardzo wilgotnym lub ciepłym miejscu i nie wystawiać ich na działanie bezpośredniego promieniowania słonecznego.

W celu zachowania odpowiedniego poziomu BEZPIECZEŃSTWA i NIEZAWODNOŚCI produktu wszelkie naprawy i różnego rodzaju prace konserwacyjne lub regulacje powinny być przeprowadzane przez autoryzowany lub fabryczny punkt serwisowy narzędzi Makita, zawsze z użyciem oryginalnych części zamiennych Makita.

AKCESORIA OPCJONALNE

⚠ PRZESTROGA: Zaleca się stosowanie wymienionych akcesoriów i przystawek razem z narzędziem Makita opisanym w niniejszej instrukcji.

Stosowanie innych akcesoriów lub przystawek może być przyczyną obrażeń ciała. Akcesoria lub przystawki należy wykorzystywać tylko zgodnie z ich przeznaczeniem.

W razie potrzeby wszelkiej pomocy i szczegółowych informacji na temat niniejszych akcesoriów udzieli Państwu lokalne punkty serwisowe Makita.

- Gwoździe
- Wąż pneumatyczny
- Gogle ochronne

WSKAZÓWKA: Niektóre pozycje znajdujące się na liście mogą być dołączone do pakietu narzędziowego jako akcesoria standardowe. Mogą to być różne pozycje, w zależności od kraju.

RÉSZLETES LEÍRÁS

Típus:	AF353
Légnyomás	0,45 -0,69 MPa (4,5 - 6,9 bar)
Szög hossza	15, 18, 19, 25, 30, 35 mm
Szög kapacitás	130 db
Minimális tömlőátmérő	6,5 mm
Pneumatikus szerszámolaj	ISO VG32 vagy azzal egyenértékű
Méreték (H x SZ x M)	208 mm x 66 mm x 191 mm
Nettó tömeg	0,9 kg

- Folyamatos kutató- és fejlesztőprogramunk eredményeként az itt felsorolt tulajdonságok figyelmeztetés nélkül megváltozhatnak.
- A tulajdonságok országról országra különbözhetnek.

Szimbólumok

A következőkben a berendezésen használt jelképek láthatók. A szerszám használata előtt bizonyosodjon meg arról hogy helyesen értelmezi a jelentésüket.



Olvassa el a használati utasítást.



Viseljen védőszemüveget.



Viseljen fülvédőt.



Ne használja állványzatokon, létrákon.

Rendeltetés

A szerszám beltéri munkáknál és bútóroknál használható rögzítésre.

Az eszköz kizárólag nagy mennyiségben történő, professzionális felhasználásra lett tervezve. Más célra ne használja. Ne használja kötőelemek belövésére olyan kemény felületeken, mint például az acél vagy a beton.

Jaj

A tipikus A-súlyozású zajszint, a ISO11148-13 (EN12549) szerint meghatározva:

Hangnyomásszint (L_{pA}): 92 dB(A)

Hangteljesítményszint (L_{WA}): 101 dB(A)

Bizonytalanság (K): 3 dB(A)

MEGJEGYZÉS: A zajkibocsátás értéke a szabványos vizsgálati eljárásnak megfelelően lett mérve, és segítségével az elektromos kéziszerszámok összehasonlíthatók egymással.

MEGJEGYZÉS: A zajkibocsátás értékének segítségével előzetesen megbecsülhető a rezgésnek való kitettség mértéke.

▲FIGYELMEZTETÉS: Viseljen fülvédőt!

▲FIGYELMEZTETÉS: A szerszám zajkibocsátása egy adott alkalmazásnál eltérhet a megadott értéktől a használat módjától, különösen a feldolgozott munkadarab fajtájától függően.

▲FIGYELMEZTETÉS: Határozza meg a kezelő védelmét szolgáló munkavédelmi lépéseket, melyek az adott munkafeltételek melletti vibrációs hatás becslt mértékén alapulnak (figyelembe véve a munkaciklus elemeit, mint például a gép leállításának és üresjáratának mennyiségét az elindítások száma mellett).

Vibráció

A vibráció ISO11148-13 (ISO8662-11) szerint meghatározott összértéke:

Rezgés kibocsátás (a_n): 3,7 m/s²

Bizonytalanság (K): 1,5 m/s²

MEGJEGYZÉS: A rezgés teljes értéke a szabványos vizsgálati eljárásnak megfelelően lett mérve, és segítségével az elektromos kéziszerszámok összehasonlíthatók egymással.

MEGJEGYZÉS: A rezgés teljes értékének segítségével előzetesen megbecsülhető a rezgésnek való kitettség mértéke.

▲FIGYELMEZTETÉS: A szerszám rezgés kibocsátása egy adott alkalmazásnál eltérhet a megadott értéktől a használat módjától, különösen a feldolgozott munkadarab fajtájától függően.

▲FIGYELMEZTETÉS: Határozza meg a kezelő védelmét szolgáló munkavédelmi lépéseket, melyek az adott munkafeltételek melletti vibrációs hatás becslt mértékén alapulnak (figyelembe véve a munkaciklus elemeit, mint például a gép leállításának és üresjáratának mennyiségét az elindítások száma mellett).

EK Megfelelőségi nyilatkozat

Csak európai országokra vonatkozóan

Az EK-megfelelőségi nyilatkozat az útmutató „A” mellékletében található.

BIZTONSÁGI FIGYELMEZTETÉS

Pneumatikus szegezőre/ tűzőgépre vonatkozó biztonsági figyelmeztetések

▲ FIGYELMEZTETÉS: Olvassa el az összes biztonsági figyelmeztetést és utasítást. Ha nem tartja be a figyelmeztetéseket és az utasításokat, az súlyos sérülést, áramütést és/vagy tüzet okozhat.

Őrizzen meg minden figyelmeztetést és utasítást a későbbi tájékozódás érdekében.

Személyes biztonsága és a szerszám megfelelő használata, illetve karbantartása érdekében a szerszám használata előtt olvassa el ezt a kézikönyvet.

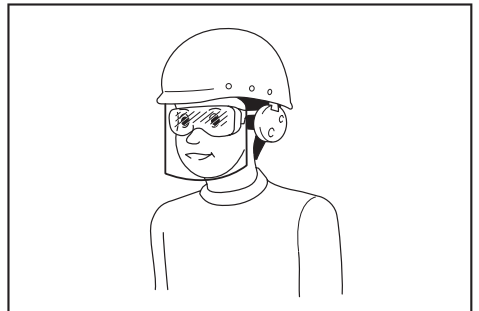
Általános biztonsági előírások

1. A rendeltetéstől eltérő használat tilos. Az érintéses vagy folyamatos érintéses működtetésű kötőelem-belövő szerszámok csak gyártási/előállítási munkálatokra használhatók.
2. Vegye le az ujját a kapcsológombról, ha nem működteti a szerszámot, és ha munkapozíciót változtat.
3. Veszélyforrások. Figyelemesen olvassa el a biztonsági utasításokat, mielőtt a szerszámot csatlakoztatja, lecsatlakoztatja, feltölti, működteti, karbantartja, tartozékait cseréli, vagy közelében munkát végez. Ennek elmulasztása súlyos testi sérüléshez vezethet.
4. Tartsa távol testrészeit (kéz, láb stb.) a kilőtt kötőelemek útjától, és biztosítsa, hogy a kilőtt elemek a munkadarabon esetlegesen ájtutva nem fűródnek testrészebe.
5. A szerszám használata során tartsa észben, hogy a kötőelemek visszaverődhetnek, mellyel sérülést okozhatnak.
6. Erősen tartsa a szerszámot, és készüljön fel arra, hogy a szerszám visszarúg.
7. A kötőelem-belövőt csak hozzáértő személyek használhatják.
8. Ne módosítsa a kötőelem-belövő szerszámot. A módosítások ronthatják a biztonsági funkciók hatékonyságát, tehát növelhetik a kezelő és a közelben lévők sérülésének kockázatát.
9. Ne dobja ki a használati útmutatót.
10. Ne használja a szerszámot, ha az megsérült.
11. Óvatosan kezelje a kötőelemeket, különösen a betöltés és kivétel során, mert az éles pontjaik sérülést okozhatnak.

12. Mindig ellenőrizze, hogy a szerszám elemei sérülésmentesek, megfelelően csatlakoznak és nem használódtak el.
13. Ne hajoljon előre túlságosan. Csak biztonságos munkaterületen használja. Mindig megfelelően szilárd helyzetben és egyensúlya megtartásával dolgozzon.
14. Ne hagyja, hogy mások túl közel álljanak önhöz (ha olyan helyen dolgozik, ahol mások közlekednek). Egyértelműen jelölje a munkaterületet.
15. Soha ne tartsa a szerszámot másokra.
16. Ne helyezze ujját a kioldókapcsolóra a szerszám emelésekor, a munkaterületek közötti mozgás során, séta közben stb., mert ezzel véletlenül működésbe hozhatja a szerszámot. Állítható működtetésű szerszám esetén használat előtt mindig ellenőrizze, hogy a megfelelő üzemmód van-e kiválasztva.
17. Olyan munkakesztyűt viseljen, amely megfelelő, biztonságos kezelhetőséget nyújt a kioldókapcsoló működtetéséhez és az egyéb elemekhez.
18. Ha le szeretné tenni a szerszámot, válasszon ehhez sík felületet. Stabil felületet válasszon a szerszámra szerelt kampót alkalmazva is.
19. Alkohol, gyógyszerek és hasonló anyagok hatása alatt ne dolgozzon a szerszámmal.

Lövedékveszély

1. A kötőelem-belövő szerszámot le kell csatlakoztatni az áramforrásról a kötőelemek betöltéséhez, a beállítások elvégzéséhez, az elakadások elhárításához és a tartozékok cseréjéhez.
2. Használat közben ügyeljen arra, hogy a kötőelemek megfelelően a munkadarabba jussanak, ne pattanhassanak vissza, és ne löködhessenek a kezelő vagy más személy felé.
3. A használat során a munkadarabból és a rögzítőrendszerből törmelék keletkezhet.
4. Elektromos szerszámok használatakor mindig viseljen védőszemüveget a szem védelme érdekében. A szemüvegnek meg kell felelnie az ANSI Z87.1 szabványnak az Egyesült Államokban, az EN 166 szabványnak Európában, illetve az AS/NZS 1336 szabványnak Ausztráliában/Új-Zélandon. Ausztráliában/Új-Zélandon törvény írja elő az arcvédő használatát is, amely biztosítja az arc védelmét.



A munkaadó felelőssége, hogy a megfelelő biztonsági védőeszköz viselésére kötelezze a szerszám kezelőit és a közvetlen munkaterületen lévő más személyeket.

5. A kezelőnek fel kell mérnie a másokra irányuló veszély kockázatát.
6. Figyeljen oda a munkadarabbal nem érintkező szerszámokra, mert véletlenül működésbe hozva sérülést okozhatnak.
7. Figyeljen, hogy a szerszám stabilan a munkadarabra nehezedjen, ne csúszhasson le róla.
8. Használjon fülvédőt, hogy megóvja a hallását a zajtól munka közben, és hogy védje a fejét. Emellett viseljen könnyű, de nem laza ruházatot. Gombolja be, vagy tűrje fel a ruha ujját. Ne viseljen nyakkendőt.

Veszélyek a használat során

1. Megfelelően tartsa a szerszámot: legyen készen a várható és a váratlan mozgások (például visszarágás) ellensúlyozására is.
2. Tartsa meg egyensúlyát, stabil állóhelyzetet vegyen fel.
3. Használjon megfelelő védőszemüveget, védőkesztyűt és védőruházatot.
4. Viseljen megfelelő fülvédő felszerelést.
5. A használati útmutató előírásainak megfelelő áramellátást használjon.
6. Ne használja az eszközt mozgó felületeken vagy teherautók hátsó részén. A felület hirtelen elmozdulása az eszköz feletti irányítás elvesztéséhez és sérüléshez vezethet.
7. Mindig ellenőrizze, hogy a szerszám nem tartalmaz-e kötélemeket.
8. Ne siesse el a munkát, és ne fejtsen ki túl nagy erőt a szerszámrá. Odafigyelve kezelje a szerszámot.
9. Ha a szerszám a kezében van, ügyeljen a stabil testtartásra és az egyensúlya megőrzésére. Ügyeljen arra, hogy senki ne tartózkodjon Ön alatt, amikor magas helyszíneken dolgozik, és biztosítsa a légtömítőt, nehogy hirtelen megrántsák, vagy beleakadjanak.
10. Tetőkön és más magas helyszíneken előrefelé haladva lölje be a kötélemeket. Ha a kötőelem belövését hátrafelé haladva végzi, könnyen elveszítheti a biztos testtartást. Amikor függőleges felületbe lök be kötélemeket, fentről lefelé haladjon. Így kisebb erőfeszítéssel végezheti el a kötőelem belövését.
11. Ha véletlenül egy másik kötőelem fejére lövi be a szegyet vagy kapcsot, vagy görcsbe talál a fában, a kötőelem elhajlik, vagy a szerszámban elakadás fog kialakulni. A kötőelem elrepülhet és eltárolhat valakit, vagy maga a szerszám is veszélyesen reagálhat. A kötőelem belövését kellő körültekintéssel végezze el.
12. Ne hagyja a betöltött szerszámot vagy a nyomás alatt levő légsűrítőt hosszú ideig a tűző napon. Biztosítsa, hogy por, homok, forgács és más idegen anyagok ne kerülhessenek a szerszámba azon a helyen, ahol otthagyja.

13. Soha ne próbálja a kötélemeket egyszerre belülről és kívülről is belőni. A kötélemek átszakíthatják a munkadarabot, esetleg kirepülhetnek, ezzel komoly veszélyt okozva.

Repetitív mozgásra vonatkozó kockázatok

1. A szerszámot huzamosabb ideig használva kellemetlen érzést tapasztalhat kezeiben, karjaiban, vállában, nyakában vagy más testrészeiben.
2. A használatához vegyen fel kényelmes, ergonomikus pozíciót. Stabil állóhelyzetet vegyen fel, kerülje a kényelmetlen, kiegyensúlyozatlan pozíciókat.
3. Ha folyamatosan vagy visszatérő kényelmetlenséget, lüktetést, fájdalmat, bizsergést, zsibbadást, égető érzést vagy merevséget érez, ne hagyja ezeket figyelmen kívül. Lépjen kapcsolatba egészségügyi szakértővel a tevékenységét illetően.
4. Folyamatos használat mellett a szerszám ismétlődő terheléses sérülést okozhat a visszarágással.
5. Az ismétlődő terheléses sérülések elkerülése érdekében a kezelő ne hajoljon túlságosan előre és ne fejtsen ki túl nagy erőt. Emellett, ha fáradtnak érzi magát, tartson pihenőt.
6. Végezzen kockázatfelmérést az ismétlődő mozdulatok veszélyeire vonatkozóan. Ennek középpontjában az izomzattal és csontozattal kapcsolatos zavarok álljanak, s azon feltételezésen alapuljon, hogy a munka során tapasztalható kimerülés mérséklésével csökkenthető az egészségügyi zavarok kialakulásának veszélye.

Tartozékokra és kellékanyagokra vonatkozó kockázatok

1. Mielőtt bármilyen tartozékot, például érintkezőelemet cserélne, vagy bármilyen beállítást módosítana, csatlakoztassa le a szerszámról az energiaellátást, például a levegőt, gázt vagy akkumulátort.
2. Csak a gyártó által biztosított tartozékméreteket és tartozéktípusokat használja.
3. Kizárólag a jelen kézikönyvben megadott kenőanyagokat használja.

Munkaterületet érintő kockázatok

1. A csúszások, botlások és esések a munkaterületek kockázatainak jelentős forrásai. Figyeljen a szerszám okozta csúszós felületekre, valamint a légtömítő helyzetére.
2. Az ismeretlen helyszínek a szokásosnál is nagyobb odafigyelést igényelnek. Rejtett veszélyforrások lehetnek jelen, például elektromos vezetékek és más hálózatok.
3. A szerszám nem használható robbanásveszélyes környezetben, és nem szabad, hogy elektromos árammal érintkezzen.
4. Ellenőrizze, hogy vannak-e sérülés esetén veszélyt jelentő elektromos kábelek, gázcsövek stb. a munkaterületen.
5. Tartsa tisztán a munkaterületet és ügyeljen a jó megvilágításra. A rendezetlen és sötét munkaterületek balesetet idézhetnek elő.

6. A zajszintre helyi előírások vonatkozhatnak, amelyeket minden esetben be kell tartani, a zaj szintjét pedig az előírt határérték alatt kell tartani. Bizonyos esetekben a zaj csökkentésére zajszigetelő redőnyöket kell használni.

Porra és kiáramlásra vonatkozó kockázatok

1. Mindig ellenőrizze környezetét. A szerszámból kiáramló levegő port és tárgyakat juttathat a levegőbe, amelyek érintkezhetnek a kezelővel és másokkal.
2. Poros környezetben úgy irányítsa az elszívót, hogy minimálisa csökkenjen a por zavaró hatása.
3. Ha por vagy tárgyak kerülnek a munkaterületre, az egészségügyi problémák és a sérülések kockázatának minimalizálása érdekében amennyire csak lehetséges, csökkentse a kibocsátást.

Zajra vonatkozó kockázatok

1. Megfelelő védelem nélkül a magas zajszint maradandó halláskárosodást és más problémákat is okozhat, például tinnitust (csengő, zúgó, füttyülő vagy bűgő hang a fülben).
2. Végezzen kockázatfelmérést a munkaterületen a káros zajhatásokra vonatkozóan, és hajtsa végre a szükséges intézkedéseket azok kordában tartásához.
3. A kockázatok megfelelően csökkenthetők többek között tompító anyagok lerakásával, amelyek megakadályozzák a munkadarabok vibrációját.
4. Használjon megfelelő hallásvédőt.
5. A használati útmutatóban foglaltaknak megfelelően használja és tartsa karban a készüléket, hogy elkerülhesse a zajszint felesleges emelkedését.
6. Tegyen a zaj csökkentésére irányuló lépéseket, pl. helyezze a munkadarabokat hangszigetelő tartóelemre.

Vibrációra vonatkozó kockázatok

1. A működés közben tapasztalható rezgés kibocsátást befolyásolja például a szorítás erőssége, a lenyomás erőssége, a szerszám iránya, az energiaellátás helyzete, a munkadarab és a munkadarab alátámasztása. Végezzen kockázatfelmérést a munkaterületen a rezgéssel járó veszélyekre vonatkozóan, és hajtsa végre a szükséges intézkedéseket azok kordában tartásához.
2. A rezgés károsíthatja az idegeket, és ronthatja a kéz és a karok vérellátását.
3. Viseljen meleg ruházatot, ha hideg környezetben dolgozik; tartsa kezét melegen és szárazon.
4. Ha zsibbadást, bizsergést, fájdalmat tapasztal, vagy ujjainak vagy kezének bőre elfehéredik, kérje ki egészségügyi szakérő tanácsát a tevékenységgel kapcsolatban.
5. A használati útmutatóban foglaltaknak megfelelően kezelje a szerszámot, hogy elkerülhesse a vibráció szintjének felesleges emelkedését.
6. Tartsa a szerszámot enyhé, de stabil szorítással, mert erősebb szorítás esetén a vibráció kockázatai jellemzően magasabbak.

További figyelmeztetések a pneumatikus szerszámokra vonatkozóan

1. A sűrített levegő súlyos sérüléseket okozhat.
2. Ha nem használja a szerszámot, mindig kapcsolja ki és csatlakoztassa le a szerszámról a levegőellátást.
3. Mindig válassza le a szerszámot a sűrített levegő-ellátásról, mielőtt tartozékot cserélne, beállítást módosítana vagy javítást végezne, valamint ha munkaterületet vált.
4. Ne tartsa az ujját a kioldókapcsolón, ha nem működteti a szerszámot, valamint ha munkaterületet vált.
5. Soha ne irányítsa saját maga vagy más személy felé a sűrített levegőt.
6. A tömlők súlyos sérüléseket okozhatnak. Mindig győződjön meg arról, hogy a tömlők nem sérültek és a rögzítések megfelelőek.
7. Soha ne szállítson pneumatikus szerszámot a tömlőjénél fogva.
8. Soha ne húzzon pneumatikus szerszámot a tömlőjénél fogva.
9. Figyeljen oda, hogy a használat során ne lépje túl a megengedett maximális nyomást.
10. A pneumatikus szerszámokat mindig a munkavégzéshez megfelelő legalacsonyabb légnyomással üzemeltesse a zajszint, a vibráció és az elhasználódás csökkentésének érdekében.
11. Az oxigénnel vagy gyúlékony gázokkal működtetett pneumatikus szerszámok tűz- és robbanásveszélyt jelentenek.
12. Legyen óvatos a pneumatikus szerszámok használatával, mert a szerszámok hideggé válhatnak, amely hatással lehet a szorítás erősségére és a szerszám feletti uralomra.

Biztonsági eszközök

1. A használat előtt ellenőrizze, hogy minden biztonsági rendszer működőképes állapotban van-e. A szerszámnak nem szabad működésbe lépnie, ha csak a kioldókapcsoló van behúzva, de az érintkező kar nem nyomódik hozzá a fához, vagy vica versa. Csak akkor szabad működnie, ha mindkét művelet egyszerre megtörténik. Ellenőrizze a lehetséges hibás működést kötélemek nélkül, a tolrórúd teljesen kihúzott helyzetében.
2. A kioldókapcsoló BE pozícióban való rögzítése nagyon veszélyes. Soha ne rögzítse a kioldókapcsolót.
3. Ne próbálja a kapcsoló érintkező elemét vagy más biztonsági eszközt ragasztószalaggal vagy huzallal lenyomva tartani. Ez súlyos vagy akár halálos sérüléshez is vezethet.

Szerviz

1. A munka végételével azonnal végezze el a karbantartást és a tisztítást. Tartsa a szerszámot kifogástalan állapotban. Kenje meg a mozgó alkatrészeket, ezzel megvédve azokat a rozsdásodástól, illetve ezzel minimalizálhatja a súrlódásból adódó kopást. Törölje le az összes port az alkatrészekről.
2. A szerszám rendszeres ellenőrzötése érdekében forduljon a Makita hivatalos szervizközpontjához.

- A termék **BIZTONSÁGÁNAK** és **MEGBÍZHATÓSÁGÁNAK** fenntartása érdekében a karbantartást és a javításokat a Makita hivatalos szervizközpontjában kell elvégezni, melynek során kizárólag Makita cserealkatrészek használhatók fel.
- A szerszám eltávolításához kövesse a helyi szabályokat.

ŐRIZZE MEG EZEKET AZ UTASÍTÁSOKAT.

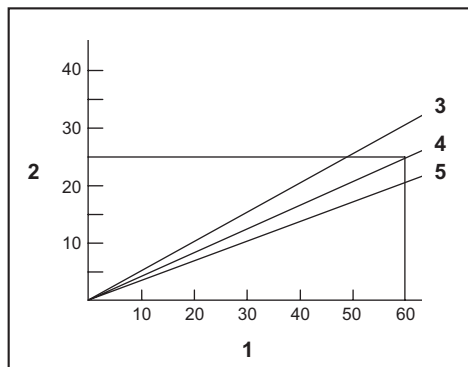
▲ FIGYELMEZTETÉS: NE HAGYJA, hogy (a termék többszöri használatából eredő) kényelem és megszokás váltsa fel a termék biztonsági előírásainak szigorú betartását. A **HELYTELEN HASZNÁLAT** és a használati útmutatóban szereplő biztonsági előírások megszegése súlyos személyi sérülésekhez vezethet.

ALKATRÉSZEK LEÍRÁSA

- **Ábra1:** 1. Reteszelőkar 2. Kioldókapcsoló
3. Akasztó 4. Fejadapter 5. Eltolható fedél

TELEPÍTÉS

A légsűrítő kiválasztása



1. Szegezési frekvencia (db/min) 2. Légsűrítő légteljesítménye percenként (l/min) 3. 0,69 MPa (6,9 bar)
4. 0,57 MPa (5,7 bar) 5. 0,45 MPa (4,5 bar)

A légsűrítőnek meg kell felelnie az EN60335-2-34 előírásainak.

Olyan légsűrítőt válasszon, amely elegendő nyomást és légteljesítményt biztosít a gazdaságos működtetéshez. Az ábrán látható a szegelési frekvencia, az alkalmazható nyomás és a légsűrítő légteljesítménye közötti kapcsolatot.

Így például, ha a szegelővés körülbelül 60 alkalommal történik percenként 0,57 MPa (5,7 bar) nyomáson, akkor egy olyan légsűrítő szükséges, aminek a légteljesítménye 25 liter/perc felett van.

Nyomásszabályozókat kell használni a légnyomás korlátozásához a szerszám névleges nyomására ott, ahol a levegőellátás nyomása túllépi a szerszám névleges nyomását. Ennek elmulasztása a szerszám üzemeltetője vagy a közelben tartózkodó személyek komoly sérüléséhez vezethet.

Légtömítő kiválasztása

▲ VIGYÁZAT: A légsűrítő alacsony légteljesítménye, illetve a szegezési frekvenciához képest hosszú vagy kisebb átmérőjű légtömítő a szerszám behajtási kapacitásának csökkenését okozhatja.

► Ábra2

Olyan nagy és rövid légtömítőt használjon, amelyet csak lehetséges, hogy biztosítani tudja a folyamatos, hatékony szegelési műveletet.

0,49 MPa (4,9 bar) légnyomás mellett, 0,5 másodperc szegezések közötti szünet esetén 6,5 mm fölötti belső átmérőjű és 20 m-nél rövidebb légtömítő javasolt. A levegőellátást biztosító tömlők minimális munkanyomásának 1,03 MPa-nak (10,3 bar) vagy a rendszerben termelt maximális nyomás 150%-ának kell lennie.

Kenés

► Ábra3

A maximális teljesítmény biztosítása érdekében szereljen fel egy levegő-előkészítő szerelvényt (olajozó, szabályozó, légsűrítő) minél közelebb a szerszámhoz. Állítsa be az olajozót úgy, hogy egy csepp olaj kerüljön továbbításra minden 50 szegre.

Ha nem használ levegő-előkészítő szerelvényt, akkor olajozza meg a szerszámot pneumatikus szerszám-olajjal úgy, hogy 2 (kettő) vagy 3 (három) csepp olajat cseppent a levegő bekötésére szolgáló csatlakozószelvénybe. Ezt használat előtt és után is meg kell tenni. A megfelelő kenés érdekében a szerszámot a pneumatikus szerszámolaj alkalmazása után néhányszor el kell sütni.

- **Ábra4:** 1. Pneumatikus szerszámolaj

A MŰKÖDÉS LEÍRÁSA

⚠ VIGYÁZAT: A szerszám beállítása vagy működésének ellenőrzése előtt mindig zárja le a kioldókapcsolót és vegye le a tömlőt.

Kioldókapcsoló és reteszelőkar

⚠ FIGYELMEZTETÉS: Ne helyezze ujjait a kioldókapcsolóra vagy a reteszelőkarra a tömlő felszerelésekor. Ellenkező esetben a szerszám működése lephet, ami személyi sérüléseket okozhat.

A szerszámhoz reteszelőkar tartozik, amely megakadályozza a kioldókapcsoló véletlen lenyomását.

Szög belövéséhez előbb a reteszelőkart, majd a kioldókapcsolót húzza meg.

► **Ábra5:** 1. Reteszelőkar

► **Ábra6:** 1. Kioldókapcsoló

A biztonsági rendszer ellenőrzése

⚠ FIGYELMEZTETÉS: A használat előtt ellenőrizze, hogy minden biztonsági rendszer működőképes állapotban van-e. Ennek elmulasztása személyi sérüléseket okozhat.

⚠ VIGYÁZAT: Győződjön meg arról, hogy a szerszámban nincsenek szögek.

► **Ábra7:** 1. Kioldókapcsoló 2. Reteszelőkar

Szögbelövés előtt ellenőrizze a biztonsági rendszert a következő módon:

1. A tár csúszóajtóját maga felé húzva engedje ki az üreslövési mechanizmust.
2. Űrítse a szerszámot.
3. Ellenőrizze, hogy **nem lehet** meghúzni a kioldókapcsolót, ha a reteszelőkar nincs behúzva.
4. Ellenőrizze, hogy a kioldókapcsoló a reteszelőkar behúzása után húzható meg.

Ha a szerszám nem felel meg a fentieknek, ne használja tovább, hanem kérjen javítást egy hivatalos szervizközponttól.

Akasztó

⚠ VIGYÁZAT: Az akasztó használatakor ne helyezze ujjait a kioldókapcsolóra vagy a reteszelőkarra, és vegye le a tömlőt a szerszámról.

⚠ VIGYÁZAT: Soha ne akassza a szerszámot magas helyre vagy nem teljesen stabil felületre.

⚠ VIGYÁZAT: Ne akassza a nadrágszíjára. Ha a szegező véletlenül leesne, akár el is süllhet, személyi sérülést okozva ezzel.

► **Ábra8:** 1. Akasztó

Az akasztó a szerszám ideiglenes felakasztására használható.

Az imbuszkulcs tárolása

Ha nincs használatban, tegye el az imbuszkulcsot az ábrán látható módon, hogy ne vesszen el.

► **Ábra9:** 1. Imbuszkulcs

Légfúvó

⚠ VIGYÁZAT: Soha ne irányítsa senkire a légfúvó kivezető nyílását. Mindig tartsa távol kezeit és lábait a kivezető nyílástól. Személyi sérülésekhez vezethet, ha véletlenül megnyomja a légfúvó gombot.

⚠ VIGYÁZAT: A légfúvó használata előtt mindig ellenőrizze a környezetét. A lefújt por vagy a lefújt tárgy eltalálhatja a közelben tartózkodó embereket.

⚠ VIGYÁZAT: A légfúvó gomb megnyomása közben ne csatlakoztassa, illetve ne váltsa le a légtömlőt.

A szerszámba vezetett levegő légfúvóként is használható. A munkaterületet a fogantyú felőli végén található gomb megnyomásával tisztíthatja le.

► **Ábra10:** 1. Gomb

MEGJEGYZÉS: A légfúvó használata után átmenetileg lecsökken a szerszám behajtási teljesítménye. Ilyen esetben várja meg, amíg a légnomás visszaáll a normál szintre.

MEGJEGYZÉS: Végezzen tesztfűjást, ha az olaj adagolása után közvetlenül használja a légfúvót. A gázzal együtt az olaj is a levegőbe kerülhet.

ÖSSZESZERELÉS

⚠ VIGYÁZAT: Mielőtt bármilyen munkát végezne a szerszámon, mindig tegye alaphelyzetbe a kioldókapcsolót és a reteszelőkart, valamint vegye le a tömlőt.

A szögbelövő betöltése

⚠ VIGYÁZAT: Tartsa a csúszóajtót, mikor megnyomja a kioldógombot. Ha vannak betöltött szögek, a csúszóajtó hirtelen mozdul meg a kioldógomb megnyomásakor.

⚠ VIGYÁZAT: Mindig lassan és óvatosan mozgassa a csúszóajtót. A szögek lehullása – különösen a magasban végzett munka esetén – személyi sérülést okozhat.

⚠ VIGYÁZAT: Mindig ugyanolyan fajtájú, méretű és hosszúságú szögeket töltsön be.

MEGJEGYZÉS: Helyezze be a szögeket a megfelelő irányba. A helytelen irányba behelyezett szögek a belövő idő előtti elhasználódását és más alkatrészek károsodását okozhatják.

MEGJEGYZÉS: Ne használjon sérült szögeket. Csak a jelen kézikönyvben előírt típusú szögeket használja. Az előírt típustól eltérő szögek használata a szögek beszorulásához és a szögbelövő töréséhez vezethet.

1. A csúszójátót tartva nyomja le a kioldógombot, és nyissa fel a csúszójátót.
▶ **Ábra11:** 1. Kioldógomb 2. Eltolható fedél
2. Helyezze a szögeket a tárra, majd tolja be őket teljesen a résbe. Ügyeljen a szögek helyes irányára.
3. Miközben így tartja a szögeket, helyezze be őket a vezetőelembe.
▶ **Ábra12:** 1. Szögek 2. Vezetőelem
4. Tegye a tárt az eredeti helyére, hogy a kioldógomb felpattanjon.

A szögek mérete

A szerszámhoz a következő kötőelemek használhatók.

23-as méretű szögek

▶ **Ábra13**

Maximum

▶ **Ábra14:** (1) 35 mm

Minimum

▶ **Ábra15:** (1) 15 mm (2) 0,6 mm

A szögbelövő kiürítése

A szögek eltávolításához kövesse visszafelé haladva az „A szögbelövő betöltése” lépéseit.

Fejadapter

Ha kényes felületre készül szögeket belőni, használja a fejadaptert.

A fejadapter felszereléséhez helyezze az alkatrészt a vezetőelem borítására úgy, hogy a fejadapterben lévő kiálló részek illeszkedjenek a vezetőelem hornyába.

▶ **Ábra16**

Tartálék fejadaptert talál a csúszójátó végén lévő tárolóban.

▶ **Ábra17**

A légtömítő csatlakoztatása

⚠ VIGYÁZAT: Ne tartsa az ujját a ravaszon, amikor csatlakoztatja a légtömítőt.

▶ **Ábra18:** 1. Levegő bekötésére szolgáló szerelvény 2. Légtömítő csatlakozó

Csúsztassa a légtömítő csatlakozóját a tűzőgép levegő bekötésére szolgáló szerelvényére. Ellenőrizze, hogy a csatlakozó szilárdan illeszkedik-e a helyére, amikor fel van szerelve a szerelvényre.

A tömlőcsatlakozást annak figyelembe vételével kell a szerszámmra vagy annak közelébe felszerelni, hogy a nyomástartály kiürüljön a levegőellátás szétcsatlakoztatásakor.

MŰKÖDTETÉS

⚠ VIGYÁZAT: A használat előtt ellenőrizze, hogy minden biztonsági rendszer működőképes állapotban van-e.

Működés ellenőrzése használat előtt

Használat előtt mindig ellenőrizze az alábbi pontokat.

- Győződjön meg róla, hogy a szerszám pusztán a légtömítő csatlakoztatásának hatására nem működik.
- Győződjön meg róla, hogy a szerszám pusztán a gázgomb meghúzására nem működik.

A szögbelövő működtetése

⚠ FIGYELMEZTETÉS: Érintse a szerszám fejét a munkadarabhoz, mielőtt meghúzza a kioldókapcsolót. Máskülönbén a szerszám sérülést okozhat.

⚠ VIGYÁZAT: Amikor nem használja a szerszámot, a reteszelőkart mindig állítsa zárt kapcsolóállásba.

▶ **Ábra19**

1. Helyezze a szerszám fejét párhuzamosan a munkadarabra, és tartsa a szerszámot stabilan.
2. Húzza meg a reteszelőkart, majd húzza be teljesen a kioldókapcsolót a szög belövéséhez.
3. A szög belövése után teljesen engedje el a kioldókapcsolót és a reteszelőkart.

Ha a belőtt szög feje kiemelkedik a munkadarab síkjából, erősebben tartsa a szerszám fejét.

▶ **Ábra20**

MEGJEGYZÉS: Ha a kioldókapcsolót egy gyors művelet után húzza meg, előfordulhat, hogy a szögbelövő nem lö szöget. Teljesen engedje fel a kioldókapcsolót és a reteszelőkart, mielőtt újabb szöget próbálna belőni.

MEGJEGYZÉS: Ne használjon eldeformálódott szöget vagy szögszalagot. Ennek figyelmen kívül hagyása a szögek rossz továbbítását eredményezi.

Üres lövést meggátoló mechanizmus

A gép üres lövéseket meggátoló mechanizmussal rendelkezik. Ha kevés szög maradt a tárrban, a szerszám működtetésének megakadályozása érdekében a kioldókapcsolót nem lehet elmozdítani az alaphelyzetből. Ilyenkor töltsön be újabb szögeket.

Üres tár jelző

Ha kevés szög maradt a tárrban, az üres tárra figyelmeztető jelzőfény piros színűre vált. Ilyenkor töltsön be újabb szögeket.

▶ **Ábra21:** 1. Üres tár jelző

A beszorult szögek eltávolítása

▲ FIGYELMEZTETÉS: Mindig tegye alaphelyzetbe a kioldókapcsolót és a reteszelőkart, mielőtt a beszorult szögeket megpróbálná eltávolítani.

A beszorult szögek eltávolításához szükséges lépések a következők. Vegye le a tömlőt, mielőtt a beszorult szögek eltávolításával próbálkozna.

► **Ábra22:** 1. Fejescsavar (A) 2. Fejescsavar (B) 3. Vezetőelem borítása

1. Vegye ki a tárban maradt szögeket.
2. Vegye le a fejadaptert.
3. Lazítsa meg az (A) és (B) csavarokat. Ehhez fordítsa el őket kb. két fordulattal a szögbelövőhöz mellékelt kulcs segítségével.
4. Elcsúsztatva vegye le a vezetőelem borítását.
5. Távolítsa el a beszorult szögeket, anyagdarabokat, ragasztót, fatörmeléket stb. a szög adagolójáratából.
6. Távolítsa el a vezetőelem borításából az esetleges beszorult szögeket és egyéb idegen anyagokat.
7. Tegye vissza a borítást, rögzítse a két csavarral, majd helyezze vissza a fejadaptert.

KARBANTARTÁS

▲ VIGYÁZAT: Ellenőrzés vagy karbantartás előtt mindig rögzítse a kioldókapcsolót és válassza le a tömlőt.

MEGJEGYZÉS: Soha ne használjon gázolajt, benzint, hígítót, alkoholt vagy hasonló anyagokat. Ezek elszíneződést, alakvesztést vagy repedést okozhatnak.

A szögbelövő karbantartása

Használat előtt mindig ellenőrizze a szerszám általános állapotát, illetve, hogy nincsenek-e meglazulva csavarok. Szükség esetén húzza meg azokat.

Minden nap ellenőrizze, hogy a reteszelőkar és a kioldókapcsoló szabadon mozognak – ehhez csatlakoztassa le a szerszámot az áramforrásról. Ne használja a szerszámot, ha a kioldókapcsoló vagy a reteszelőkar szorul vagy beragadt.

Ha a szerszámot hosszabb ideig nem használják, akkor kenje meg pneumatikus szerszámolajjal és tegye biztonságos helyre. Kerülje el a közvetlen napsugárzást és a nedves vagy forró környezeteket.

► **Ábra23**

A légsűrítő, a levegő-előkészítő szerelvény és a légtömlő karbantartása

Használat után mindig engedje le a légsűrítő tartályát és a légszűrőt. Ha nedvesség kerül a szerszámba, akkor az elégtelen teljesítményt és a szerszám meghibásodását okozhatja.

► **Ábra24:** 1. Leeresztő

► **Ábra25:** 1. Légszűrő

Rendszeresen ellenőrizze, hogy elég pneumatikus olaj van a levegő-előkészítő szerelvény olajozójában. A megfelelő olajozás elmulasztása a tömítőgyűrűk gyors elhasználódását okozza.

► **Ábra26:** 1. Olajozó 2. Pneumatikus szerszámolaj

Tartsa a légtömlőt hőtől (60°C felett, 140°F felett) és vegyszerektől (hígító, erős savak vagy lúgok) távol. A tömlőt vezesse távol az akadályoktól, amelyekbe működés közben beakadhat. A tömlőket távol kell elvezetni az éles sarkoktól és területektől, amelyek a tömlő károsodásához vagy kidörzsoléséhez vezethetnek.

Szegek

Óvatosan bánjon a szögszalagokkal és dobozokkal. Ha a szegekkel durván bánnak, azok meghajolhatnak, ami rossz szegadagoláshoz vezethet.

Ne tárolja a szegeket nagyon nedves, forró, vagy közvetlen napsugárzásnak kitett helyen.

A termék BIZTONSÁGÁNAK és MEGBIZHATÓSÁGÁNAK fenntartása érdekében a javításokat és más karbantartásokat vagy beállításokat a Makita hivatalos vagy gyári szervizközpontjában kell elvégezni, mindig csak Makita cserealkatrészeket használva.

OPCIONÁLIS KIEGÉSZÍTŐK

▲ VIGYÁZAT: Ezen kiegészítőket és tartozékokat javasoljuk a kézikönyvben ismertetett Makita szerszámhoz. Bármilyen más kiegészítő vagy tartozék használata a személyi sérülés kockázatával jár. A kiegészítőt vagy tartozékokat csak rendeltetésszerűen használja.

Ha bármilyen segítségre vagy további információkra van szüksége ezekkel a tartozékokkal kapcsolatban, keresse fel a helyi Makita Szervizközpontot.

- Szögek
- Légtömlő
- Védőszemüveg

MEGJEGYZÉS: A listán felsorolt néhány kiegészítő megtalálható az eszköz csomagolásában standard kiegészítőként. Ezek országonként eltérőek lehetnek.

TECHNICKÉ ŠPECIFIKÁCIE

Model:	AF353
Tlak vzduchu	0,45 - 0,69 MPa (4,5 - 6,9 bar)
Dĺžka klinca	15, 18, 19, 25, 30, 35 mm
Množstvo klincov	130 ks.
Minimálny priemer hadičky	6,5 mm
Olej pre pneumatické náradie	ISO VG32 alebo ekvivalentná norma
Rozmery (D x Š x V)	208 mm x 66 mm x 191 mm
Čistá hmotnosť	0,9 kg

- Vzhľadom na neustály výskum a vývoj podliehajú technické údaje uvedené v tomto dokumente zmenám bez upozornenia.
- Technické údaje sa môžu pre rôzne krajiny líšiť.

Symbols

Nižšie sú uvedené symboly, s ktorými sa môžete stretnúť pri použití nástroja. Je dôležité, aby ste poznali ich význam, skôr než začnete pracovať.



Prečítajte si návod na obsluhu.



Používajte ochranné okuliare.



Používajte ochranu sluchu.



Nepoužívajte na lešeniach ani rebríkoch.

Určené použitie

Toto náradie je určené na upínanie počas prác vykonávaných v interiéri a v rámci nábytkárskych prác. Náradie je určené len na vysokoobjemové profesionálne použitie. Nepoužívajte ho na žiadne iné účely. Neslúži na nastreľovanie upínacích prvkov do tvrdých povrchov, napríklad do ocele alebo betónu.

Hluk

Typická hladina akustického tlaku záťaž A určená podľa štandardu ISO11148-13 (EN12549):
 Úroveň akustického tlaku (L_{pA}): 92 dB (A)
 Úroveň akustického tlaku (L_{WA}): 101 dB (A)
 Odchýlka (K): 3 dB (A)

POZNÁMKA: Deklarovaná hodnota emisií hluku bola meraná podľa štandardnej skúšobnej metódy a môže sa použiť na porovnanie jedného nástroja s druhým.

POZNÁMKA: Deklarovaná hodnota emisií hluku sa môže použiť aj na predbežné posúdenie vystavenia ich účinkom.

VAROVANIE: Používajte ochranu sluchu.

VAROVANIE: Emisie hluku sa môžu počas skutočného používania elektrického nástroja odlišovať od deklarovanej hodnoty, a to v závislosti od spôsobov používania náradia a najmä typu spracúvaného obrobku.

VAROVANIE: Nezabudnite označiť bezpečnostné opatrenia s cieľom chrániť obsluhu, a to tie, ktoré sa zakladajú na odhade vystavenia účinkom v rámci reálnych podmienok používania (berúc do úvahy všetky súčasti prevádzkového cyklu, ako sú doby, kedy je nástroj vypnutý a kedy beží bez zaťaženia, ako dodatok k dobe zapnutia).

Vibrácie

Celková hodnota vibrácií bola stanovená podľa ISO11148-13 (ISO8662-11):
 Emisie vibrácií (a_h): 3,7 m/s²
 Odchýlka (K): 1,5 m/s²

POZNÁMKA: Deklarovaná celková hodnota vibrácií bola meraná podľa štandardnej skúšobnej metódy a môže sa použiť na porovnanie jedného nástroja s druhým.

POZNÁMKA: Deklarovaná celková hodnota vibrácií sa môže použiť aj na predbežné posúdenie vystavenia ich účinkom.

VAROVANIE: Emisie vibrácií sa môžu počas skutočného používania elektrického nástroja odlišovať od deklarovanej hodnoty, a to v závislosti od spôsobov používania náradia a najmä typu spracúvaného obrobku.

VAROVANIE: Nezabudnite označiť bezpečnostné opatrenia s cieľom chrániť obsluhu, a to tie, ktoré sa zakladajú na odhade vystavenia účinkom v rámci reálnych podmienok používania (berúc do úvahy všetky súčasti prevádzkového cyklu, ako sú doby, kedy je nástroj vypnutý a kedy beží bez zaťaženia, ako dodatok k dobe zapnutia).

Vyhlasenie o zhode ES

Len pre krajiny Európy

Vyhlasenie o zhode ES sa nachádza v prílohe A tohto návodu na obsluhu.

BEZPEČNOSTNÉ VAROVANIA

Bezpečnostné varovania pre pneumatickú klincovačku/ sponkovačku

VAROVANIE: Prečítajte si všetky bezpečnostné upozornenia a pokyny. Nedodržanie týchto varovaní a pokynov môže mať za následok vážne zranenie, úraz elektrickým prúdom alebo požiar.

Všetky výstrahy a pokyny si odložte pre prípad potreby v budúcnosti.

Pred používaním tohto nástroja si z dôvodu osobnej bezpečnosti, správnej obsluhy a údržby nástroja prečítajte tento návod na obsluhu.

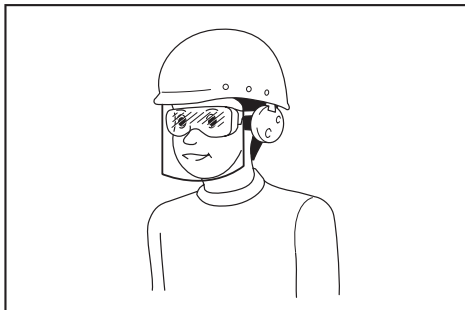
Všeobecná bezpečnosť

1. Akékoľvek použitie, ktoré je v rozpore s určeným použitím tohto náradia, je zakázané. Nástroje na nastreľovanie upínacích prvkov s trvalým nastreľovaním pri kontakte alebo s nastreľovaním pri kontakte možno používať len vo výrobe.
2. Pri používaní tohto náradia majte prsty mimo spúšťacieho spínača počas presúvania sa z jednej prevádzkovej polohy do druhej.
3. Viaceré riziká. Prečítajte si a porozumte bezpečnostným pokynom pred pripojením, odpojením, naplnením, prevádzkou, údržbou, výmenou príslušenstva alebo pri práci v blízkosti náradia. Ak tak neurobíte, môže to zapríčiniť vážne zranenie.
4. Žiadnou časťou tela napríklad rukami či nohami atď. nezasahujte do dráhy nastreľovania a zaistíte, aby upínací prvok nemohol preniknúť obrobkom do niektorej z častí tela.
5. Pri používaní náradia majte na pamäti, že upínací prvok môže zlyhať a spôsobiť zranenie.
6. Náradie držte pevne a buďte pripravení stlmiť spätný náraz.
7. Náradie na nastreľovanie upínacích prvkov smú používať len osoby s technickými zručnosťami.
8. Nástroj na nastreľovanie upínacích prvkov neupravujte. Úpravami sa môže znížiť účinnosť bezpečnostných opatrení a zvýšiť riziko, ktoré náradie predstavuje voči obsluhu a/alebo okolostojacim osobám.
9. Návod na obsluhu nevyhadzujte.
10. Náradie v prípade poškodenia nepoužívajte.

11. Manipulácia s upínacími prvkami si vyžaduje opatrnosť najmä pri vkladaní a vyberaní, pretože majú ostré hroty, ktoré môžu spôsobiť zranenie.
12. Pred použitím vždy skontrolujte, či náradie nie je pokazené, nesprávne zapojené alebo či jeho súčasti nie sú opotrebované.
13. Pri práci sa nenatáhujte do diaľky. Náradie používajte len na bezpečnom mieste. Udržujte vždy správny postoj a rovnováhu.
14. Zaistíte odstup iných osôb (pri práci v oblasti, kde možno predpokladať prítomnosť iných ľudí). Jazde vyznačte prevádzkovú oblasť.
15. Náradím nikdy nemierne na seba ani na iných.
16. Pri dvíhaní náradia ani pri presúvaní sa medzi prevádzkovými oblasťami a polohami, či pri chôdzi nekladte prst na spúšťací spínač, pretože by mohlo dôjsť k neúmyselnej aktivácii náradia. V prípade náradia so selektívnym nastreľovaním vždy skontrolujte náradie a presvedčte sa, či ste vybrali správny režim.
17. Používajte len rukavice, ktoré umožňujú zaručiť dostatočnú citlivosť a bezpečné ovládanie spúšťacích spínačov či akýchkoľvek nastavovacích zariadení.
18. Nástroj odkladajte tak, že ho položíte na rovný povrch. Ak používate hák, ktorým je nástroj vybavený, nástroj pevne zaistíte hákom na pevnom povrchu.
19. Nástroj nepoužívajte pod vplyvom alkoholu, liekov a podobných látok.

Riziko vystrelenia

1. Náradie na nastreľovanie upínacích prvkov treba vypnúť pri vyberaní upínacích prvkov, nastavovaní, odstraňovaní upchatí alebo výmene príslušenstva.
2. Počas prevádzky dbajte na to, aby upínacie prvky správne vnikali do materiálu a nemohli sa odraziť/náhodne vystreliť smerom k obsluhu alebo okolitým osobám.
3. Počas prevádzky sa môže z obrobku alebo upevňovacieho/vyrovnávacieho systému časť oddeliť.
4. Pri používaní elektrického náradia vždy používajte ochranné okuliare, aby ste zabránili zraneniu očí. Ochranné okuliare musia spĺňať požiadavky noriem ANSI Z87.1 v USA, EN 166 v Európe alebo AS/NZS 1336 v Austrálii a na Novom Zélande. V Austrálii a na Novom Zélande zákon vyžaduje aj nosenie ochranného štítu na tvár.



- Zamestnávateľ je zodpovedný nariadiť osobám, ktoré používajú tento nástroj a ktoré sa nachádzajú v bezprostrednej blízkosti, používať príslušné bezpečnostné ochranné prostriedky.
5. Obsluha musí zhodnotiť riziko, ktorému sú vystavené ďalšie osoby.
 6. S náradím, ktoré nie je v kontakte s obrobkom manipulujte opatrne, pretože môže dôjsť k neúmyselnému vystaveniu a zraneniu obsluhu a/alebo okolitých osôb.
 7. Zaisťte, aby bolo náradie vždy bezpečne umiestnené na obrobku a nemohlo sa zošmyknúť.
 8. S cieľom chrániť svoj sluch proti hluku používajte chrániče na uši a taktiež používajte aj ochranu na hlavu. Používajte aj ľahké, avšak nie voľné oblečenie. Rukávy by mali byť zapnuté alebo vyhrnuté. Nemali by ste na krku nosiť žiadne šatky ani viazanky.

Prevádzkové riziká

1. Náradie držte správne: buďte pripravení neutralizovať bežné alebo náhle pohyby, napríklad spätný náraz.
2. Udržiavajte rovnovážnu polohu a bezpečnú postoj.
3. Treba používať vhodné ochranné okuliare a odporúčajú sa príslušné rukavice a ochranný odev.
4. Treba používať vhodnú ochranu sluchu.
5. Používajte správne napájanie podľa pokynov v návode na použitie.
6. Náradie nepoužívajte na pohyblivých plošných ani v nákladnom priestore nákladných vozidiel. Náhly pohyb plošiny môže spôsobiť stratu kontroly nad náradím a zapríčiniť zranenie.
7. Vždy sa presvedčte, že nástroj obsahuje upínacie prvky.
8. S prácou sa neponáhľajte a nástroj nepreťažujte. S týmto nástrojom zaobchádzajte opatrne.
9. Dávajte pozor na svoj postoj a zachovávajte svoju rovnováhu s nástrojom. Presvedčte sa, že počas práce na vyvýšených miestach sa nikto pod vami nenachádza a vzduchovú hadicu zabezpečte tak, aby ste zabránili nebezpečenstvu v prípade náhleho myknutia alebo zachytenia.
10. Na strechách a ďalších vyvýšených miestach upínacie prvky skrutkuje súbežne s vaším pohybom dopredu. Je ľahké stratiť stabilný postoj v prípade skrutkovania upínacích prvkov pri malom pohybe dozadu. V prípade skrutkovania upínacích prvkov do zvislých povrchov skrutkujte zhora nadol. Týmto spôsobom dokážete skrutkovanie vykonávať s menšou námahou.
11. Ak upínací prvok omylom naskrutkujete na iný alebo ak upínací prvok naskrutkujete na uzol v dreve, môže dôjsť k ohnuti upínacieho prvku alebo k zaseknutiu nástroja. Môže dôjsť k odhodneniu upínacieho prvku, pričom upínací prvok môže niekoho zasiahnuť alebo nástroj samotný môže vyvolať nebezpečnú reakciu. Upínacie prvky skrutkujte opatrne.

12. Nabitý nástroj ani vzduchový kompresor pod tlakom nenechávajte dlhodobu na sinku. Na mieste, kde budete nástroj nastavovať, sa nesmie do nástroja dostať prach, piesok, úlomky a cudzorodý materiál.
13. Nikdy sa nepokúšajte skrutkovať upínacie prvky súčasne zvrúta aj zvonka. Upínacie prvky môžu preraziť a/alebo vyletieť, čo predstavuje smrteľné nebezpečenstvo.

Riziká vyplývajúce z opakujúcich sa pohybov

1. Pri dlhodobom používaní náradie môže obsluha pociťovať nepríjemný pocit v rukách, pleciach, krku či v iných častiach tela.
2. Pri používaní náradia má obsluha zaujať vhodný a súčasne ergonomický postoj. Udržujte pevný postoj a vyhýbajte sa neprirodeným či nerovnovážnym polohám.
3. Ak obsluha pociťuje príznaky, ako napríklad trvalé alebo opakujúce sa nepohodlie, bolesť, búšenie, pobolievanie, brnenie, znečítlivenie, pocit pálenia alebo meravosť, nesmie tieto príznaky ignorovať. Obsluha sa musí obrátiť na kvalifikovaného lekára a požiadať ho o radu v súvislosti s pracovnými činnosťami.
4. Nepretržité používanie môže spôsobiť zranenie v dôsledku opakovaného namáhania v dôsledku spätného nárazu náradia.
5. Operátor nemá siahať s náradím príliš ďaleko ani používať nadmernú silu, aby zabránil zraneniu v dôsledku opakovaného namáhania. Okrem toho si v prípade únavy treba odpočinúť.
6. Vykonať posúdenie rizík v súvislosti s opakovaným pohybom. Malo by sa sústrediť na svalovo-kostrové poruchy a malo by sa pri nich vychádzať z predpokladu, že zníženie únavy pri práci účinne znižuje výskyt týchto porúch.

Riziká vyplývajúce z príslušenstva a spotrebného materiálu

1. Pred výmenou príslušenstva, akým je kontakt s obrobkom, alebo pri akýchkoľvek nastaveniach odpojte napájanie náradia, v závislosti od verzie vzduchové, plynové alebo akumulátorové.
2. Používajte len príslušenstvo rozmerov a typu udávaného výrobcom.
3. Používajte mazivá podľa pokynov v tomto návode.

Riziká na pracovisku

1. Pošmyknutia, zakopnutia a pády sú hlavnými zdrojmi zranení na pracovisku. Dávajte si pozor na klzké povrchy, ktoré vznikli v dôsledku používania náradia a rovnako na riziko zakopnutia o hadicu vzduchového vedenia.
2. V neznámom prostredí pracujte mimoriadne opatrne. Môžu sa tu vyskytovať skryté riziká, akými sú elektrické či iné vedenia.
3. Toto náradie nie je určené na používanie v potenciálne výbušnom ovzduší a nie je izolované na zabezpečenie pri kontakte s elektrickým prúdom.

4. Presvedčte sa, či sa na pracovisku nenachádzajú žiadne elektrické vedenia, plynové potrubia a pod., ktoré by mohli v prípade poškodenia v dôsledku používania náradia predstavovať riziko.
5. Pracovisko udržiavajte čisté a dobre osvetlené. Na neudržiavaných alebo tmavých pracoviskách existuje riziko nehôd.
6. V platnosti môžu byť miestne nariadenia týkajúce sa hluku, ktoré je potrebné dodržiavať udržiavaním hodnôt hluku pod stanovenými limitnými hodnotami. V niektorých prípadoch by sa mali zavrieť okenice s cieľom zabrániť unikaniu hluku.

Nebezpečný prach a vyfukovaný vzduch

1. Vždy kontrolujte svoje okolie. Vzduch vyfukovaný z náradie môže rozfúkať prach alebo odfúknuť premety, ktoré potom zasiahnu obsluhu a/alebo okolité osoby.
2. Upravte výfuk tak, aby sa minimalizovalo vírenie prachu v prašnom prostredí.
3. V prípade odfukovania prachu alebo kúskov materiálu čo najviac znížte mieru tohto javu, aby ste obmedzili zdravotné riziká a hrozbu zranenia.

Nebezpečný hluk

1. Vystavenie vysokým hladinám hluku bez ochrany môže spôsobiť trvalé, poškodenie či stratu sluchu a ďalšie problémy, napríklad hučanie, zvonenie, bzukot či pískanie v ušiach.
2. Vykonajte posúdenie rizík v súvislosti s hlukom na pracovisku a zavedte príslušné kontrolné mechanizmy na eliminovanie týchto rizík.
3. Primerané prostriedky na zníženie tohto rizika môžu zahŕňať použitie tlmiacich materiálov na zabránenie „rozozvučaniu sa“ obrobkov.
4. Používajte primeranú ochranu sluchu.
5. Náradie prevádzkujte a vykonávajte jeho údržbu v súlade s odporúčaniami v tomto návode, aby ste predišli zvýšeniu úrovne hluku.
6. Vykonajte opatrenia na zníženie hluku, napríklad umiestnením obrobkov na podpery tlmiace hluk.

Nebezpečenstvo vibrácií

1. Emisie vibrácií počas používania závisia od sily uchopenia, kontaktného tlaku, smeru práce, nastavenia prívodu energie, obrobku a podopretia obrobku. Vykonajte posúdenie rizík v súvislosti s vibráciami a zavedte príslušné kontrolné mechanizmy na eliminovanie týchto rizík.
2. Vystavenie vibráciám môže mať za následok poškodenie nervov a zásobovania krvou v rukách a ramenách.
3. Pri práci v chladnom prostredí používajte teplý odev a majte teplé a suché ruky.
4. Ak pocítite meravosť, brnenie, bolesť alebo blednutie pokožky prstov či rúk, vyhľadajte lekársku pomoc kvalifikovaného pracovného lekára a požiadajte ho o radu v súvislosti s pracovnými činnosťami.

5. Náradie prevádzkujte a vykonávajte jeho údržbu v súlade s odporúčaniami v tomto návode, aby ste predišli zvýšeniu úrovne vibrácií.
6. Nástroj držte zľahka, no bezpečne, pretože riziko vibrácií je vo všeobecnosti vyššie, keď pri držaní vyvíjate väčšiu silu.

Doplnkové varovania pre pneumatické náradie

1. Stlačený vzduch môže spôsobiť vážne zranenie.
2. Vždy vypnite prívod vzduchu a keď nástroj nepoužívate, odpojte ho od prívodu vzduchu.
3. Pred výmenou príslušenstva, vykonávaní nastavení a/alebo opráv, či pri presune z jedného prevádzkového prostredia do druhého nástroj vždy odpojte od prívodu stlačeného vzduchu.
4. Pri používaní náradia majte prsty mimo spúšťacieho spínača počas presúvania sa z jednej prevádzkovej polohy do druhej.
5. Prúd stlačeného vzduchu nikdy nesmerujte na seba ani na nikoho iného.
6. Prudké trhnutie hadíc môže spôsobiť vážne zranenie. Vždy skontrolujte či hadice ani spojky nie sú poškodené ani uvoľnené.
7. Pneumatické náradie nikdy neprenášajte za hadicu.
8. Pneumatické náradie nikdy neťahajte za hadicu.
9. Pri používaní pneumatického náradia neprekráčajte maximálnu hodnotu tlaku.
10. Pneumatické náradie treba napájať len stlačeným vzduchom s najnižším požadovaným tlakom pre prácu, aby sa dosiahlo zníženie hluku a vibrácií a minimalizovalo sa opotrebovanie.
11. Pri používaní kyslíka alebo horľavých plynov na prevádzku pneumatických nástrojov vzniká riziko vzniku požiaru a výbuchu.
12. Pri používaní pneumatického náradia postupujte opatrne, pretože náradie sa môže schlaadiť, čo ovplyvní jeho uchopenie a ovládanie.

Bezpečnostné prvky

1. Pred prácou skontrolujte, či sú všetky bezpečnostné systémy funkčné. Tento nástroj sa nesmie používať tak, že sa poťahuje len vypínač, ani tak, že sa proti drevu zatlačá iba kontaktné rameno. Musí sa používať len pri vykonávaní oboch týchto úkonov. Možnú chybnú činnosť vyskúšajte bez nabitia upínacími prvkami a tak, že tlačidlo je v polohe úplného potiahnutia.
2. Zaistenie vypínača v polohe ON (ZAP.) je veľmi nebezpečné. Vypínač sa nikdy nepokúšajte zaistiť.
3. Nepokúšajte sa kontaktný prvok ani iné bezpečnostné zariadenia ponechať v stlačenom stave pomocou pásky alebo drôtu. Môže dôjsť k smrteľným alebo vážnym poraneniam.

Servis

1. Okamžite po ukončení práce s nástrojom vykonajte vyčistenie a údržbu. Nástroj udržiavajte v dokonalom stave. Pohyblivé časti namažte, aby ste zabránili hrdzaveniu a aby ste minimalizovali opotrebovanie spôsobené trením. Zo všetkých súčastí utrite prach.

- O pravidelnú kontrolu nástroja požiadajte autorizované servisné stredisko spoločnosti Makita.
- Ak chcete zachovať **SPOLIAHLIVOSŤ** a **BEZPEČNOSŤ** výrobku, údržbu a opravy by sa mali vykonať v autorizovanom servisnom stredisku Makita, vždy použitím náhradných dielov Makita.
- V prípade likvidácie náradia postupujte podľa miestnych predpisov.

TIETO POKYNY USCHOVAJTE.

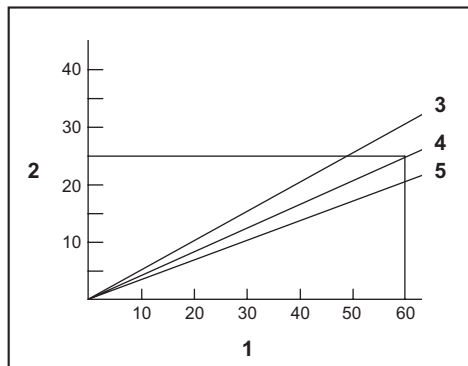
VAROVANIE: NIKDY nepripustíte, aby seba-vedomie a dobrá znalosť výrobku (získané opakovaným používaním) nahradili presné dodržiavanie bezpečnostných pravidiel pri používaní náradia. **NESPRÁVNE POUŽÍVANIE** alebo **nedodržiavanie bezpečnostných zásad** uvedených v tomto návode môže viesť k vážnemu zraneniu.

POPIS SÚČASTÍ

- **Obr.1:** 1. Poistná páčka 2. Spúšťací spínač 3. Háčik 4. Predný adaptér 5. Posuvné dvierka

INŠTALÁCIA

Výber kompresora



1. Frekvencia nastreľovania (počet nástrelov/min)
2. Výstupný objem stlačeného vzduchu za minútu (l/min)
3. 0,69 MPa (6,9 bar)
4. 0,57 MPa (5,7 bar)
5. 0,45 MPa (4,5 bar)

Vzduchový kompresor musí vyhovovať požiadavkám normy EN60335-2-34.

Vyberte kompresor, ktorý má dostatočný tlak a vzduchový výstup na zabezpečenie efektívnej prevádzky. Na grafe je znázornený vzťah medzi frekvenciou nastreľovania, použitým tlakom a výstupom vzduchu z kompresora.

Preto napríklad, ak sa vykonáva nastreľovanie klinecovej frézy pri frekvencii 60 krát za minútu pri tlaku 0,57 MPa (5,7 bar), je potrebné zabezpečiť kompresor s kapacitou viac ako 25 l/min.

V prípade, že tlak prívodného vzduchu presahuje menovitý pneumatický tlak náradia, musia sa používať regulátory tlaku na obmedzenie tlaku vzduchu na menovitú hodnotu tlaku náradia. V opačnom prípade hrozí vážne zranenie obsluhy náradia alebo osôb nachádzajúcich sa v blízkosti náradia.

Výber vzduchovej hadice

POZOR: Malý výstup vzduchu z kompresora, dlhá hadica alebo hadica s menším priemerom vo vzťahu k frekvencii nastreľovania klinecovej frézy, môže mať za následok zníženie kapacity náradia pri skrútkovaní.

► Obr.2

Používajte čo najkratšiu hadicu s čo najväčším priemerom, aby ste zabezpečili nepretržitú a účinnú činnosť nastreľovania klinecovej frézy.

Pri hodnote tlaku vzduchu 0,49 MPa (4,9 bar) sa odporúča sa používať vzduchovú hadicu s vnútorným priemerom viac než 6,5 mm a s dĺžkou kratšou než 20 m, pokiaľ je interval nastreľovania jednotlivých klinecovej frézy 0,5 sekundy.

Hadice na prívod vzduchu sú dimenzované na minimálny pracovný tlak s hodnotou 1,03 MPa (10,3 bar) alebo 150 percent hodnoty maximálneho tlaku vytváraného systémom podľa toho, ktorá z hodnôt je vyššia.

Mazanie

► Obr.3

Vzduchovú súpravu (olejnička, regulátor, vzduchový filter) namontujte čo najbližšie k náradiu, aby ste zabezpečili maximálny výkon. Olejničku nastavte tak, aby na každých 50 klinecovej frézy pripadla jedna kvapka oleja.

Pokiaľ sa nepoužíva vzduchová zostava, namažte náradie olejom určeným pre pneumatické náradie, a to nakvapkaním 2 (dvoch) alebo 3 (troch) kvapiek do vzduchovej armatúry. Tento krok treba vykonať pred použitím aj po ňom.

Správne namazanie sa zaisťuje, keď náradie niekoľkokrát použijete na nastrelenie po nanosení oleja na pneumatické náradie.

► Obr.4: 1. Olej pre pneumatické náradie

OPIS FUNKCIÍ

▲POZOR: Pred nastavením alebo kontrolou funkčnosti náradia vždy vráťte spúšťací spínač a zaisťovaciu páčku do pôvodnej polohy a odpojte hadicu.

Spúšťací spínač a zaisťovacia páčka

▲VAROVANIE: Pri pripájaní hadice nedržte prsty na spúšťacom spínači ani na zaisťovacej páčke. V opačnom prípade môže dôjsť k náhodnému vystreleniu a zraneniu osôb.

Náradie je vybavené zaisťovacou páčkou, ktorá zabráni náhodnému stlačeniu spúšťacieho spínača.

Ak chcete začať s nastreľovaním klincov, najskôr stlačte páčku a potom spúšťací spínač.

► **Obr.5:** 1. Poistná páčka

► **Obr.6:** 1. Spúšťací spínač

Kontrola zabezpečovacieho systému

▲VAROVANIE: Pred prácou skontrolujte, či sú všetky bezpečnostné systémy funkčné. V opačnom prípade môže dôjsť k zraneniu.

▲POZOR: Skontrolujte, či nástroj nie je naplnený skobami.

► **Obr.7:** 1. Spúšťací spínač 2. Poistná páčka

Pred klincovaním skontrolujte bezpečnosť zabezpečovacieho systému nasledujúcim spôsobom:

1. Potiahnite posuvné dvierka zásobníka k sebe a uvoľnite mechanizmus proti striedaniu naprázdno.
2. Vyprázdňte náradie.
3. Skontrolujte, či sa **nedá** stlačiť spúšťací spínač, keď nestlačíte zaisťovaciu páčku.
4. Skontrolujte, či môžete stlačiť spúšťací spínač po stlačení zaisťovacej páčky.

V prípade zlyhania náradia pri uvedených kontrolách, prestaňte náradie používať a autorizované servisné stredisko požiadajte o opravu.

Háčik

▲POZOR: Pred použitím háka skontrolujte, či prsty nemáte položené na spúšťacom spínači ani na zaisťovacej páčke a či od náradia odpojili hadicu.

▲POZOR: Náradie nikdy **nevešajte** do výšky ani na potenciálne nestabilný povrch.

▲POZOR: Náradie si **nevešajte na opasok**. V prípade klincovačka náhodou spadne, môže dôjsť k vystreleniu klinca a zraneniu osôb.

► **Obr.8:** 1. Háčik

Hák je praktický na dočasné zavesenie nástroja.

Uskladnenie šesťhranného kľúča

Ak šesťhranný kľúč nebudete používať, uložte ho podľa zobrazenia, aby sa nestratil.

► **Obr.9:** 1. Šesťhranný kľúč

Odfukovač prachu

▲POZOR: Výstupný otvor odfukovača prachu na nikoho **nemierte**. Pred výstupným otvorom **nedávajte ani ruky a nohy**. V prípade náhodného stlačenia tlačidla odfukovača prachu môže dôjsť k zraneniu.

▲POZOR: Pred používaním odfukovača prachu vždy skontrolujte okolie. Odfukovaný prach alebo predmety môžu do niekoho naraziť.

▲POZOR: Keď držíte tlačidlo odfukovača prachu, **neprípájajte ani neodpájajte** vzduchovú hadicu.

Vzduch privádzaný do nástroja možno používať aj na odfukovanie prachu. Pracovný priestor môžete vyčistiť stlačením tlačidla na konci rukoväti.

► **Obr.10:** 1. Tlačidlo

UPOZORNENIE: Po použití odfukovača prachu sa výkon nástroja pri skrútkovaní dočasne zníži. V takom prípade počkajte, kým sa tlak vzduchu neobnoví.

UPOZORNENIE: Ak odfukovač prachu použijete ihneď po nanesení oleja, vykonajte skúšobné fúkanie. Olej sa môže rozprášiť do ovzdušia.

ZOSTAVENIE

▲POZOR: Pred vykonávaním akejkoľvek práce na náradí vždy vráťte spúšťací spínač a zaisťovaciu páčku do pôvodnej polohy a odpojte hadicu.

Napĺňanie klincovačky

▲POZOR: Keď stláčate tlačidlo odblokovania, držte **posuvné dvierka**. V prípade používania klincov v zásobníku sa posuvné dvierka pri stlačení tlačidla odblokovania náhle pohnú.

▲POZOR: Posuvné dvierka vždy **posúvajte pomaly a opatrne**. Náhodne padajúce nastreľovacie klince by mohli spôsobiť zranenie osôb, najmä pri práci vo výškach.

▲POZOR: Pokiaľ naplňate zásobník klincami, **naplňte ho klincami rovnakého typu, veľkosti a rovnakej dĺžky**.

UPOZORNENIE: Nastreľovacie klince **vkładajte správnym smerom**. Vkládanie nesprávnym smerom by mohlo spôsobiť predčasné opotrebovanie držiaka a poškodenie ostatných častí.

UPOZORNENIE: **Nepoužívajte pokrivené nastreľovacie klince**. Používajte **len nastreľovacie klince uvedené v tejto príručke**. Používanie nastreľovacích klincov, ktoré nie sú uvedené v tejto príručke, môže spôsobiť zasekávanie klincov a poškodenie klincovačky.

1. Držte posuvné dvierka, stlačte tlačidlo odblokovania a pohybom posuvné dvierka otvoríte.

► **Obr.11:** 1. Tlačidlo odblokovania 2. Posuvné dvierka

2. Nastreľovacie kince pri vkladaní do drážky stále pritláčajte o zásobník. Dávajte pozor, aby ste nastreľovacie kince vkladali správnym smerom.

3. Nastreľovacie kince pri vkladaní do vodidla stále udržiajte v tejto polohe.

► **Obr.12:** 1. Nastreľovacie kince 2. Vodidlo

4. Zásobník vráťte do pôvodnej polohy, aby tlačidlo odblokovania vystúpilo smerom hore.

Rozmery klincov

Nástroj umožňuje len použitie nasledujúcich upínacích prvkov.

Nastreľovacie kince veľkosti 23

► **Obr.13**

Maximum

► **Obr.14:** (1) 35 mm

Minimum

► **Obr.15:** (1) 15 mm (2) 0,6 mm

Vyprázdňovanie klincovačky

Nastreľovacie kince vyprázdňte podľa postupu na plnenie klincovačky v opačnom poradí krokov.

Predný adaptér

Pri nastreľovaní klincov do jemných povrchov používajte predný adaptér.

Pri inštalovaní nasadte predný adaptér na kryt vodidla tak, aby výstupy vo vnútri predného adaptéra zapadli do v krytu vodidla.

► **Obr.16**

Náhradný predný adaptér sa ukladá v držiaku na konci posuvných dvierok.

► **Obr.17**

Pripojenie vzduchovej hadice

▲POZOR: Pri pripájaní vzduchovej hadice nenechávajte prst na spúšti.

► **Obr.18:** 1. Vzduchová armatúra 2. Vzduchová objímka

Vzduchovú objímku vzduchovej hadice nasuňte na vzduchovú armatúru nástroja. Po nainštalovaní na vzduchovú armatúru sa presvedčte, že vzduchová objímka je pevne nasadená.

Spojka hadice musí byť nainštalovaná na náradie alebo jeho v blízkosti, aby sa tlaková nádoba vyprázdňovala počas odpojenia spojky prívodu vzduchu.

PREVÁDZKA

▲POZOR: Pred prácou skontrolujte, či sú všetky bezpečnostné systémy funkčné.

Kontrola správnosti funkcie pred použitím

Pred prácou vždy skontrolujte nasledujúce body.

- Zaisťte, aby sa náradie nespustilo bezprostredne po pripojení vzduchovej hadice.
- Zaisťte, aby sa náradie nespustilo bezprostredne po stlačení spúšťacieho spínača.

Nastreľovanie klincov

▲VAROVANIE: Pred stlačením spúšťacieho spínača skontrolujte, či sa predný adaptér dotýka materiálu. V opačnom prípade môže dôjsť k náhodnému vystreleniu.

▲POZOR: Keď sa nástroj nepoužíva, vždy nastavte poistnú páčku do polohy zaistenia spúšťacieho spínača.

► **Obr.19**

1. Predný adaptér priložte na kolmo na materiál a náradie držte pevne opreté o materiál.
2. Potom stlačte zaisťovaciu páčku a spúšťací spínač a nastreľte kince.
3. Po nastrelení klinca vždy úplne uvoľnite spúšťací spínač a zaisťovaciu páčku.

Ak hlavička nastreleného klinca ostáva nad povrchom materiálu, hlavu klincovačky oprite pri nastreľovaní klinca pevne o materiál.

► **Obr.20**

POZNÁMKA: Pri potiahnutí spúšte po úkone rýchlej aktivácie spúšte sa môže stať, že klincovačka sa len krátkodobu aktivuje a nevystrelí nastreľovací klinec. V takom prípade úplne uvoľnite spúšťací spínač a zaisťovaciu páčku pred ďalším nastrelením klinca.

UPOZORNENIE: Nepoužívajte deformované kince ani pásy klincov. Ak to neurobíte, dôjde k nesprávnemu posúvaniu klincov.

Mechanizmus zabraňujúci nastreľeniu naprázdno

Tento nástroj je vybavený mechanizmom zabraňujúcim nastreľeniu naprázdno. Keď v zásobníku zostáva už len zopár klincov, spúšťací spínač sa zablokuje v nestlačenej polohe, aby sa zabránilo aktivácii náradia. Pred pokračovaním používania doplňte ďalšie kince.

Indikátor prázdneho zásobníka

Keď v zásobníku zostáva málo klincov, farba indikátora prázdneho zásobníka sa zmení na červenú. Keď indikátor sčervenie doplňte kince.

► **Obr.21:** 1. Indikátor prázdneho zásobníka

Vyberanie zaseknutých nastreľovacích klineciv

VAROVANIE: Pred odstraňovaním zaseknutých klineciv vždy vráťte spúšťací spínač a zaisťovaciu páčku do pôvodnej polohy a odpojte hadicu.

V prípade zaseknutia nastreľovací klinec vyberte nasledujúcim spôsobom: Pred odstraňovaním zaseknutých klineciv nezabudnite odpojiť hadicu.

► **Obr.22:** 1. Skrutka (A) 2. Skrutka (B) 3. Kryt vodidla

1. Zo zásobníka vyberte zvyšné nastreľovacie klineciv.
2. Vyberte predný adaptér.
3. Kľúčom dodávaným spolu s klinecovačkou uvoľnite skrutku (A) a skrutku (B) otočením týchto skrutiek o dve otočenia.
4. Kryt vodidla posuňte a vyberte ho.
5. Uvoľnite priechod na nastreľovacie klineciv vybratím zaseknutých nastreľovacích klineciv, nečistôt, lepidla, triesok a pod.
6. Skontrolujte, či sa v kryte vodidla nenachádzajú zaseknuté nastreľovacie klineciv ani žiadny iný cudzoročný materiál.
7. Kryt vodidla založte na miesto a zaisťte ho dvoma skrutkami. Potom založte predný adaptér.

ÚDRŽBA

POZOR: Pred vykonávaním kontroly alebo údržby vždy vráťte spúšťací spínač a zaisťovaciu páčku do pôvodnej polohy a odpojte vzduchovú hadicu.

UPOZORNENIE: Nepoužívajte benzín, riedidlo, alkohol ani podobné látky. Mohlo by to spôsobiť zmenu farby, deformácie alebo praskliny.

Údržba klinecovačky

Nástroj pred používaním vždy skontrolujte z pohľadu jeho celkového stavu a z pohľadu uvoľnenia skrutiek. Dotiahnite podľa potreby.

Pri odpojení náradí každý deň skontrolujte a presvedčte sa, že sa zaisťovacia páčka a spúšťací spínač voľne pohybujú. Náradie nepoužívajte pokiaľ sa spúšťací spínač alebo zaisťovacia páčka zasekávajú alebo zachytávajú.

Pokiaľ nebudete náradie dlhodobo používať, namažte ho olejom na pneumatiké náradie a uskladnite ho na bezpečnom mieste. Zabráňte vystaveniu účinkom priameho slnečného žiarenia, vlhkým alebo horúcim prostrediam.

► **Obr.23**

Údržba kompresora, vzduchovej súpravy a vzduchovej hadice

Po práci vždy vypustite nádobu kompresora a vzduchový filter. Ak do náradia môže preniknúť vlhkosť hrozí zníženie výkonu a možné zlyhanie náradia.

► **Obr.24:** 1. Vypúšťací kohútik

► **Obr.25:** 1. Vzduchový filter

Pravidelne kontrolujte, či sa v olejničke a vzduchovej súprave nachádza vhodný pneumatiký olej. Nezabezpečenie dostatočného mazania spôsobí rýchle opotrebovanie tesniacich O krúžkov.

► **Obr.26:** 1. Olejnička 2. Olej pre pneumatiké náradie

Vzduchovú hadicu chráňte pred účinkami tepla (nad 60 °C, nad 140 °F) a pred účinkami chemikálií (riedidlo, silné kyseliny alebo zásady). Hadicu vedte mimo prekážok, o ktoré sa môže počas prevádzky nebezpečne zachytiť. Hadice musia byť vedené mimo ostrých hrán a plôch, kde môže dôjsť k poškodeniu hadice alebo k poškodeniu povrchu hadice.

Klineciv

S pásmi klineciv a s ich škatuľami manipulujte opatrne. Pokiaľ s pásmi klineciv budete manipulovať nešetne, môžu sa zdeformovať a spôsobiť zlé podávanie klineciv. Klineciv neskladujte na veľmi vlhkých alebo horúcich miestach a nevystavujte ich účinkom priameho slnečného žiarenia.

Ak chcete udržať **BEZPEČNOSŤ** a **BEZPORUCHOVOSŤ** výrobu, prenechajte opravy, údržbu a nastavenie na autorizované alebo továrenské servisné centrá Makita, ktoré používajú len náhradné diely značky Makita.

VOLITEĽNÉ PRÍSLUŠENSTVO

POZOR: Pre váš nástroj Makita, opísaný v tomto návode, doporučujeme používať toto príslušenstvo a nástavce. Pri použití iného príslušenstva či nástavcov môže hroziť nebezpečenstvo zranenia osôb. Príslušenstvo a nástavce sa môžu používať len na účely pre ne stanovené.

Ak potrebujete bližšie informácie týkajúce sa tohoto príslušenstva, obráťte sa na vaše miestne servisné stredisko firmy Makita.

- Nastreľovacie klineciv
- Vzduchová hadica
- Ochranné okuliare

POZNÁMKA: Niektoré položky zo zoznamu môžu byť súčasťou balenia nástrojov vo forme štandardného príslušenstva. Rozsah týchto položiek môže byť v každej krajine odlišný.

SPECIFIKACE

Model:	AF353
Tlak vzduchu	0,45 - 0,69 MPa (4,5 - 6,9 baru)
Délka hřebíku	15, 18, 19, 25, 30, 35 mm
Kapacita zásobníku	130 kusů
Minimální průměr hadice	6,5 mm
Oil pro pneumatické nářadí	ISO VG32 nebo odpovídající
Rozměry (D × Š × V)	208 mm × 66 mm × 191 mm
Čistá hmotnost	0,9 kg

- Vzhledem k neustálému výzkumu a vývoji podléhají zde uvedené specifikace změnám bez upozornění.
- Specifikace se mohou pro různé země lišit.

Symbols

Níže jsou uvedeny symboly, se kterými se můžete při použití nářadí setkat. Je důležité, abyste dříve, než s ním začnete pracovat, pochopili jejich význam.



Přečtěte si návod k obsluze.



Noste ochranné brýle.



Používejte ochranu sluchu.



Nepoužívat na lešení a žebřících.

Účel použití

Nářadí je určeno k připevňování v krytých prostorách a v nábytkářství.

Nářadí je určeno pouze k profesionálnímu velkoobjemovému použití. Nepoužívejte je k jakémukoli jinému účelu. Není určeno k umístování spojovacích prvků do tvrdého povrchu, například oceli nebo betonu.

Hlučnost

Typická vážená hladina hluku (A) určená podle normy ISO11148-13 (EN12549):

Hladina akustického tlaku (L_{pA}): 92 dB(A)

Hladina akustického výkonu (L_{WA}): 101 dB (A)

Nejistota (K): 3 dB(A)

POZNÁMKA: Celková(é) hodnota(y) emisí hluku byla(y) změněna(y) v souladu se standardní zkušební metodou a dá se použít k porovnání nářadí mezi sebou.

POZNÁMKA: Hodnotu(y) deklarovaných emisí hluku lze také použít k předběžnému posouzení míry expozice vibracím.

VAROVÁNÍ: Používejte ochranu sluchu.

VAROVÁNÍ: Emise hluku se při používání elektrického nářadí ve skutečnosti mohou od deklarované(ých) hodnot(y) lišit v závislosti na způsobech použití nářadí.

VAROVÁNÍ: Nezapomeňte stanovit bezpečnostní opatření na ochranu obsluhy podle odhadu expozice ve skutečných podmínkách použití. (Vezměte přitom v úvahu všechny části provozního cyklu, tj. kromě doby zátěže například doby, kdy je nářadí vypnuté a kdy běží naprázdno.)

Vibrace

Celková hodnota vibrací určená dle normy ISO11148-13 (ISO8662-11):

Emise vibrací (a_{h}): 3,7 m/s²

Nejistota (K): 1,5 m/s²

POZNÁMKA: Celková(é) hodnota(y) deklarovaných vibrací byla(y) změněna(y) v souladu se standardní zkušební metodou a dá se použít k porovnání nářadí mezi sebou.

POZNÁMKA: Celkovou(é) hodnotu(y) deklarovaných vibrací lze také použít k předběžnému posouzení míry expozice vibracím.

VAROVÁNÍ: Emise vibrací se při používání elektrického nářadí ve skutečnosti mohou od deklarované(ých) hodnot(y) lišit v závislosti na způsobech použití nářadí.

VAROVÁNÍ: Nezapomeňte stanovit bezpečnostní opatření na ochranu obsluhy podle odhadu expozice ve skutečných podmínkách použití. (Vezměte přitom v úvahu všechny části provozního cyklu, tj. kromě doby zátěže například doby, kdy je nářadí vypnuté a kdy běží naprázdno.)

Prohlášení ES o shodě

Pouze pro evropské země

Prohlášení ES o shodě je obsaženo v Příloze A tohoto návodu k obsluze.

BEZPEČNOSTNÍ VÝSTRAHY

Bezpečnostní výstraha k pneumatické hřebíkovačce/ sponkovačce

VAROVÁNÍ: Přečtěte si všechna bezpečnostní upozornění a pokyny. Zanedbání dodržování výstrah a pokynů může mít za následek vážné zranění, úraz elektrickým proudem nebo vznik požáru.

Všechna upozornění a pokyny si uschovejte pro budoucí potřebu.

V zájmu osobní bezpečnosti, správné obsluhy a údržby si před používáním nářadí přečtěte tento návod k obsluze.

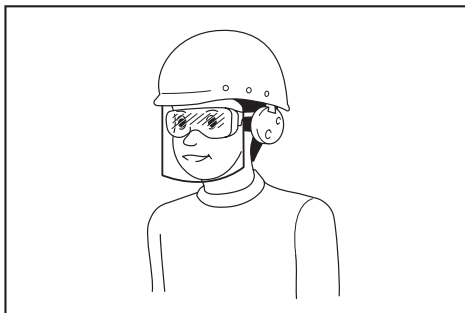
Všeobecná bezpečnostní pravidla

1. Použití k jakémukoliv jinému účelu, než k jakému je nářadí určeno, je zakázáno. Hřebíkovačky s nepřetržitým kontaktním chodem nebo kontaktním chodem se smí používat pouze ve výrobních aplikacích.
2. Pokud nářadí nepoužíváte nebo pokud se přesouváte z jednoho provozní místa na druhé, udržujte prsty v bezpečné vzdálenosti od spouště.
3. Mnohonásobná nebezpečí. Před připojením, odpojením, plněním, použitím, prováděním údržby, výměnou příslušenství nebo prací poblíž nářadí je nutné si přečíst bezpečnostní pokyny a pochopit jejich význam. Pokud tak neučiníte, může dojít k vážnému zranění.
4. Udržujte všechny části těla, jako jsou ruce, nohy atd., mimo směr vystřelování a zajistěte, aby spojovací prvek nemohl prolétnout obrobkem a proniknout do částí těla.
5. Při práci s nářadím mějte na paměti, že se spojovací prvek může vychýlit a způsobit zranění.
6. Nářadí držte pevně a buďte připraveni na zpětný ráz.
7. Hřebíkovačky smí používat pouze technicky kvalifikovaní pracovníci.
8. Na hřebíkovačce neprovádějte žádné úpravy. Úpravy mohou snížit účinnost bezpečnostních opatření a zvýšit riziko zranění obsluhy nebo přihlížejících osob.
9. Nevyhazujte tento návod k obsluze.
10. Nářadí nepoužívejte, pokud je poškozené.
11. Při manipulaci se spojovacími prvky, obzvláště při plnění a vyjímání, buďte opatrní, jelikož spojovací prvky mají ostré hroty, které mohou způsobit zranění.
12. Vždy před použitím zkontrolujte nářadí, zda nemá poškozené, nesprávně zapojené nebo opotřebované části.
13. Nepřeceňujte vlastní schopnosti. Nářadí používejte pouze na bezpečném pracovním místě. Udržujte vždy správný postoj a rovnováhu.

14. Nedovolte přístup přihlížejícím osobám (při práci v prostorách, kde je pravděpodobný výskyt procházejících lidí). Zřetelně označte pracovní oblast.
15. Nikdy nářadím nemířte na sebe ani na jiné osoby.
16. Při zvedání nářadí, přesouvání nářadí mezi pracovními oblastmi a polohami nebo při chůzi s nářadím nikdy nemějte prst na spoušti, jelikož hrozí riziko nechtěného spuštění. U nářadí s možností volby chodu vždy před použitím zkontrolujte, zda je zvolen správný režim.
17. Používejte pouze rukavice, které poskytují dostatečný cit a umožňují bezpečné ovládání spoušti a nastavovacích prvků.
18. Chcete-li nářadí odložit, položte jej na rovný povrch. Pokud používáte háček dodávaný k nářadí, zahákněte nářadí bezpečně na stabilní povrch.
19. Nepracujte pod vlivem alkoholu, léků atp.

Nebezpečí vystřelení

1. Hřebíkovačku je nutné při vyjímání spojovacích prvků, seřizování, vytahování zaseknutého materiálu nebo výměně příslušenství odpojit.
2. Během provozu se ujistěte, že spojovací prvky pronikají materiálem správně a nevychylují se / nevystřelují proti obsluze nebo přihlížejícím osobám.
3. Během provozu může dojít k vystřelování úlomků z obrobku nebo upevňovacího či sběrného systému.
4. Při používání elektrického nářadí vždy noste ochranné brýle určené k ochraně zraku. Ochranné brýle musí splňovat požadavky normy ANSI Z87.1 v USA, EN 166 v Evropě nebo AS/NZS 1336 v Austrálii a na Novém Zélandu. V Austrálii a na Novém Zélandu je dle zákona též nutné nosit obličejový štít chránící obličej.



Za vynucení používání vhodných ochranných pracovních prostředků obsluhou nářadí či jinými osobami v bezprostřední blízkosti pracoviště odpovídá zaměstnavatel.

5. Za zhodnocení rizik hrozcících jiným osobám je odpovědná obsluha.
6. Při práci s nářadím bez kontaktu obrobku dbejte zvýšené opatrnosti, jelikož může dojít k jejich nechtěnému vystřelení a ke zranění obsluhy nebo přihlížejících osob.

7. Zajistěte, aby nářadí bylo vždy pevně usazené na obrobku a nemohlo sklouznout.
8. K ochraně před hlukem používejte ochranu sluchu a noste helmu. Používejte rovněž lehký avšak nikoli volný oděv. Rukávy by mely být zapnuty nebo vyhrnuty. Nenoste žádné vázanky.
4. Nepřetržitě používání nářadí může způsobit z důvodu zpětných rázů od nářadí zranění z opakovaného namáhání.
5. V zájmu prevence úrazů v důsledku opakovaného namáhání nesmí obsluha přeceňovat vlastní schopnosti nebo používat nadměrnou sílu. Kromě toho by si měl pracovník odpočinout, pokud pociťuje únavu.

Nebezpečí při obsluze

1. Držte nářadí správně. Buďte připraveni reagovat na průběžné pohyby nebo náhlé pohyby jako např. zpětné rázy.
2. Udržujte tělo ve stabilní poloze a stůjte pevně.
3. Používejte příslušné bezpečnostní brýle, rukavice a ochranné oblečení.
4. Používejte odpovídající ochranu sluchu.
5. Používejte zdroj energie, který je uveden v návodu k obsluze.
6. Nepoužívejte nářadí na pohyblivých plošinách nebo korbách nákladních vozů. Náhlý pohyb plošiny může vést ke ztrátě kontroly nad nářadím a úrazu.
7. Vždy předpokládejte, že nářadí obsahuje spojovací prvky.
8. Při práci nespěchejte a nepoužívejte násilí. S nářadím zacházejte opatrně.
9. Dbejte na správný postoj a udržujte dobrou rovnováhu s nářadím. Zajistěte, aby se při práci na vyvýšených místech nikdo nenacházel pod vámi a jestliže dochází k prudkému cukání či zachytávání, zabezpečte vzduchové hadice.
10. Na střeších a v jiných vyvýšených místech nastřelujte při pohybu vpřed. Při nastřelování s couváním zpět můžete snadno ztratit půdu pod nohama. Při nastřelování do svislých ploch pracujte shora dolů. Budete tak pracovat s menší námahou.
11. Jestliže omylem zasáhnete místo s jiným spojovacím prvkem nebo se sukem ve dřevě, spojovací prvek se ohne nebo se nářadí může zaseknout. Spojovací prvek může být vymrštěn a mohl by někoho zasáhnout nebo může dojít k nebezpečné reakci samotného nářadí. Spojovací prvky proto rozmíst'ujte pečlivě.
12. Nářadí naplněné hřebíky ani vzduchový kompresor pod tlakem neponechávejte dlouho venku na slunci. Zajistěte, aby v místě, kam nářadí odkládáte, nedošlo ke vniknutí prachu, pisku, třísek či jiných cizích těles.
13. Nikdy nenastřelujte současně z vnitřní i vnější strany. Spojovací prvky mohou projít či prolétnout naskrz a představují tak vážné nebezpečí.

Nebezpečí vyplývající z opakujících se pohybů

1. Pokud je nářadí používáno delší dobu, obsluha může pociťovat nepříjemné pocity v oblasti rukou, paží, ramen, krku nebo v jiných částech těla.
2. Při práci s nářadím by měla obsluha zaujmout vhodnou ergonomickou polohu. Udržujte bezpečné postavení a vyvarujte se nepřirozených a nestabilních poloh.
3. Pokud obsluha pociťá příznaky, jako je přetrvávající nebo opakující se nepohodlí, bolest, brnění, znečistlivění, pálení nebo únava, nesmí tyto varovné příznaky ignorovat. Obsluha by se měla v této věci obrátit na kvalifikovaného zdravotníka.

6. Poskytněte přehled rizik souvisejících s nebezpečím vyplývajícím z opakujících se pohybů. Měl by se zaměřovat na muskuloskeletární poruchy a ideálně vycházet z předpokladu, že snižování únavy při práci účinně snižuje riziko těchto poruch.

Nebezpečí spojená s příslušenstvím a spotřebním materiálem

1. Před výměnou příslušenství, např. kontaktu obrobku, nebo před nastavováním odpojte zdroj energie od nářadí. Může to být vzduch, plyn nebo akumulátor.
2. Používejte pouze rozměry a typy příslušenství poskytované výrobcem.
3. Používejte pouze maziva doporučená v této příručce.

Nebezpečí na pracovišti

1. Nejčastější příčinou zranění na pracovišti je uklouznutí, zakopnutí nebo upadnutí. Uvědomte si, že se v důsledku použití nářadí mohou povrchy stát kluzkými a rovněž hrozí nebezpečí zakopnutí o hadice vzduchového vedení.
2. V neznámém prostředí se pohybujte se zvýšenou opatrností. Mohou existovat skrytá nebezpečí, jako je elektrické nebo jiné vedení.
3. Toto nářadí není určeno pro použití v potenciálně výbušném prostředí a není odizolováno pro případ kontaktu s elektrickou energií.
4. Ujistěte se, že se v pracovní oblasti nenacházejí žádné elektrické kabely, plynové potrubí atd., které by při poškození v důsledku práce s nářadím mohly být zdrojem nebezpečí.
5. Udržujte na pracovišti pořádek a dbejte, aby bylo dobře osvětlené. Nepořádek a nedostatek světla mohou zapříčinit úraz.
6. Existují-li místní předpisy týkající se hluku, bude třeba jim vyhovět a udržet hladinu hluku v předepsaných mezích. V určitých případech bude třeba k omezení hluku použít hrazení.

Nebezpečí spojená s prachem a vyfukováním vzduchu

1. Vždy zkontrolujte své okolí. Vzduch vyfukovaný z nářadí může odfouknout prach nebo předměty a ohrozit tím obsluhu nebo přihlížející osoby.
2. V prašném prostředí směřujte výfukový otvor tak, aby co nejméně vířil prach.
3. Pokud v pracovní oblasti dochází k uvolňování prachu nebo jiných předmětů, snažte se je co nejvíce omezit v zájmu snížení ohrožení zdraví a rizika úrazu.

Nebezpečí poškození sluchu hlukem

1. Nechráněné vystavení hluku vysoké intenzity může způsobit trvalé poškození sluchu nebo další problémy, jako je např. tinnitus (zvonění, bzučení, pískání či dunění v uších).
2. Poskytněte přehled rizik souvisejících s nebezpečím poškození sluchu hlukem v pracovní oblasti a podnikněte příslušná opatření k řešení těchto rizik.
3. K příslušným opatřením, které napomohou snížit riziko, patří například použití tlumících materiálů zamezujících „zvonění“ obrobku.
4. Používejte odpovídající ochranu sluchu.
5. Aby nářadí při práci nevydávalo zbytečně vysoký hluk, je nutné nářadí obsluhovat a ošetřovat podle pokynů v této příručce.
6. Zaveďte opatření na snížení hluku, například je možné umístit obrobky na oporu tlumící hluk.

Nebezpečí vyplývající z vibrací

1. Emise vibrací při provozu závisí na síle uchození, kontaktním tlaku, orientaci při práci, nastavení přívodu energie, obrobku a opoře obrobku. Poskytněte přehled rizik souvisejících s nebezpečím v důsledku vibrací a podnikněte příslušná opatření k řešení těchto rizik.
2. Vystavení se vibracím může způsobit poškození nervů a zásobování rukou a paží krví.
3. Při práci v chladném prostředí se teple obléknete a ruce udržujte v teple a suchu.
4. Pokud pocítíte ztuhlost, brnění, bolest v prstech nebo rukou nebo vám začne bělat pokožka, vyhledejte v této věci kvalifikovaného zdravotníka.
5. Aby nářadí při práci neprodukovalo zbytečně velké vibrace, je nutné nářadí obsluhovat a ošetřovat podle pokynů v této příručce.
6. Držte nářadí zlehka, ale bezpečně, jelikož riziko je obecně vyšší, když je síla úchopu větší.

Dodatečná varování týkající se pneumatického nářadí

1. Stlačený vzduch může způsobit vážné zranění.
2. Pokud nářadí nepoužíváte, vždy zavřete přívod vzduchu a odpojte jej.
3. Nářadí odpojte od přívodu stlačeného vzduchu vždy před výměnou příslušenství, nastavováním či opravami, a když se přesouváte z jedné provozní oblasti do druhé.
4. Pokud nářadí nepoužíváte nebo pokud se přesouváte z jednoho provozního místa na druhé udržte prsty v bezpečné vzdálenosti od spouště.
5. Nikdy nemířte zařízením se stlačeným vzduchem proti sobě nebo proti někomu jinému.
6. Uvolnění hadice může způsobit vážné zranění. Vždy zkontrolujte, zda nejsou hadice nebo přípojky poškozeny.
7. Nikdy nadržte pneumatické nářadí při přenášení za hadicí.
8. Nikdy pneumatické nářadí netahejte za hadici.
9. Při práci s pneumatickým nářadím nepřekračujte maximální provozní tlak ps max.

10. Do pneumatického nářadí by měl být přiváděn stlačený vzduch o nejnižším tlaku požadovaném pro pracovní proces, aby hladina hluku a vibrací byla co nejnižší a bylo minimalizováno opotřebení.
11. Je-li pro provoz pneumatického nářadí používán kyslík a hořlavé plyny, vzniká nebezpečí požáru a výbuchu.
12. Při práci s pneumatickým nářadím buďte opatrní, jelikož se nářadí může při práci ochladit a špatně se drží a ovládá.

Bezpečnostní zařízení

1. Před uvedením do provozu se ujistěte, že jsou plně funkční všechny bezpečnostní systémy. Nářadí se nesmí uvést do chodu pouze stisknutím spouště ani samotným přitisknutím kontaktního ramene ke dřevu. Nářadí musí pracovat pouze v případě provedení obou činností současně. Proveďte kontrolu bezchybného provozu bez spojovacího materiálu a s podávacím prvkem ve zcela vytažené poloze.
2. Velmi nebezpečné je zajištění spouště v poloze ON (ZAP.). Nikdy se nepokoušejte spoušť zafixovat.
3. Nepokoušejte se fixovat kontaktní prvek ani jiné bezpečnostní zařízení v sepnuté poloze páskou či drátem. Může dojít ke smrtelnému či velmi vážnému zranění.

Servis

1. Vyčištění a údržbu proveďte ihned po skončení práce. Nářadí udržujte v perfektním stavu. Promazáním pohyblivých částí zabráníte korozi a minimalizujete opotřebení třením. Z dlů setřete veškerý prach.
2. O pravidelnou prohlídku požádejte autorizované servisní středisko Makita.
3. V rámci zachování BEZPEČNOSTI a SPOLEHLIVOSTI výrobku musí být údržba a opravy svěřeny autorizovaným servisním střediskům Makita používajícím vždy náhradní díly Makita.
4. Při likvidaci se řiďte lokálními předpisy.

TYTO POKYNY USCHOVEJTE.

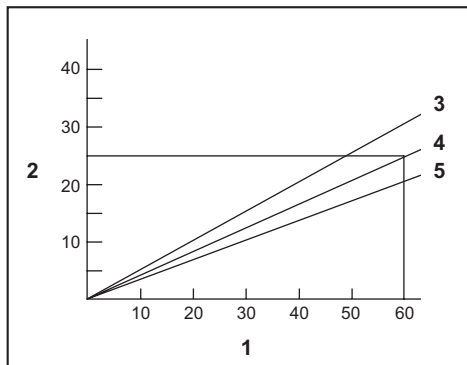
VAROVÁNÍ: NEDOVOLTE, aby pohodlnost nebo pocit znalosti výrobku (získaný na základě předchozího použití) vedl k zanedbání dodržování bezpečnostních pravidel platných pro tento výrobek. NESPRÁVNÉ POUŽÍVÁNÍ či nedodržení bezpečnostních pravidel uvedených v tomto návodu k obsluze může způsobit vážné zranění.

POPIS DÍLŮ

- Obr.1: 1. Zajišťovací páčka 2. Spoušť 3. Háček 4. Přední adaptér 5. Posuvná dvířka

INSTALACE

Výběr kompresoru



1. Frekvence přibíjení (počet/min) 2. Množství vzduchu z kompresoru za minutu (l/min) 3. 0,69 MPa (6,9 bar) 4. 0,57 MPa (5,7 bar) 5. 0,45 MPa (4,5 bar)

Vzduchový kompresor musí splňovat požadavky normy EN60335-2-34.

Použijte kompresor, který nabízí dostatečný tlak a množství dodávaného vzduchu, aby byl zajištěn efektivní provoz. Graf zobrazuje vztah mezi frekvencí přibíjení, příslušným tlakem a množstvím dodávaného vzduchu z kompresoru.

Například při přibíjení rychlostí přibližně 60 hřebíků za minutu při tlaku 0,57 MPa (5,7 barů) bude vyžadován kompresor s množstvím dodávaného vzduchu více 25 l/min.

Překračuje-li tlak vzduchového vedení hodnotu jmenovitého tlaku určeného pro nářadí, musí být k omezení na jmenovitou hodnotu použit tlakový regulátor. Zanedbání tohoto kroku může vést k vážnému zranění obsluhy nebo osob v okolí.

Výběr vzduchové hadice

UPOZORNĚNÍ: Nízký výkon kompresoru, dlouhá vzduchová hadice nebo její malý průměr mohou ve vztahu k frekvenci hřebíkování způsobit pokles výkonu nářadí.

► Obr.2

K zajištění nepřetržitého výkonného přibíjení použijte co nejsilnější a co nejkratší vzduchovou hadici.

Pro tlak vzduchu 0,49 MPa (4,9 baru) a půlsekundový interval mezi přibíjením se doporučuje vzduchová hadice s vnitřním průměrem větším než 6,5 mm a délkou maximálně 20 m.

Vzduchové hadice musí odolat minimálnímu provoznímu tlaku 1,03 MPa (10,3 baru) nebo tlaku, jehož hodnota činí 150 % maximálního tlaku vyprodukovaného v systému (podle toho, který tlak je vyšší).

Mazání

► Obr.3

K zajištění maximálního výkonu nainstalujte vzduchový systém (maznici, regulátor, vzduchový filtr) co nejbližší k nářadí. Maznici seříďte tak, aby dodávala jednu kapku oleje na každých 50 hřebíků.

Není-li používán vzduchový systém, naolejujte nářadí kápnutím 2 (dvou) či 3 (tří) kapek pneumatického oleje do vzduchové přípojky. Tento krok je třeba provést před i po použití.

Ke správnému promazání musí být nářadí po aplikaci pneumatického oleje několikrát spuštěno.

► Obr.4: 1. Olej pro pneumatické nářadí

POPIS FUNKCÍ

UPOZORNĚNÍ: Před nastavováním či kontrolou funkčnosti nářadí vždy vraťte spoušť zpět, zajistěte zajišťovací páčku a odpojte hadici.

Spoušť a zajišťovací páčka

VAROVÁNÍ: Ujistěte se, že při připojování hadice nemáte prsty na spoušti a zajišťovací páčce. V opačném případě by mohlo dojít k náhodnému vystřelení a ke zranění.

Nářadí je vybaveno zajišťovací páčkou, která brání náhodnému stisknutí spouště.

Pokud chcete vystřelit hřebíky bez hlavičky, zatáhněte nejdříve zajišťovací páčku a potom stiskněte spoušť.

► Obr.5: 1. Zajišťovací páčka

► Obr.6: 1. Spoušť

Kontrola bezpečnostního systému

VAROVÁNÍ: Před uvedením do provozu se ujistěte, že jsou plně funkční všechny bezpečnostní systémy. V opačném případě by mohlo dojít ke zranění.

UPOZORNĚNÍ: Zkontrolujte, zda nejsou v nástroji umístěny hřebíky bez hlavičky.

► Obr.7: 1. Spoušť 2. Zajišťovací páčka

Před přibíjením zkontrolujte bezpečnostní systém podle následujícího postupu:

1. Zatáhnutím posuvných dvířek zásobníku směrem k sobě uvolníte mechanismus zabráňující náhodnému spuštění.
2. Vyjměte hřebíky z nářadí.
3. Ujistěte se, že **není možné** stisknout spoušť, když není zajišťovací páčka zatažená.
4. Ujistěte se, že **po** zatažení zajišťovací páčky je možné spoušť stisknout.

Pokud nářadí jednou z kontrol neprojde, nechte nářadí opravit v autorizovaném servisním středisku.

Háček

⚠ UPOZORNĚNÍ: Před použitím háčku se ujistěte, že se vaše prsty nenacházejí na spoušti nebo na zajišťovací páčce a odpojte hadici od nářadí.

⚠ UPOZORNĚNÍ: Nikdy nástroj nezavěšujte ve výšce nebo na potenciálně nestabilním povrchu.

⚠ UPOZORNĚNÍ: Nezavěšujte háček za opasek. Při náhodném pádu hřebíkovačky může dojít k náhodnému vystřelení a zranění.

► Obr.8: 1. Háček

Háček je vhodný k dočasnému pověšení nářadí.

Uložení šestihranného klíče

Nepoužívaný imbusový klíč uložte, jak je uvedeno na obrázku, aby se neztratil.

► Obr.9: 1. Šestihranný klíč

Vzduchový odstraňovač prachu

⚠ UPOZORNĚNÍ: Nemiřte výstupním otvorem vzduchového odstraňovače prachu na jiné osoby. Udržujte ruce a nohy mimo oblast výstupního otvoru. Při nahodilém stisknutí tlačítka vzduchové odstraňovače prachu může dojít k zranění.

⚠ UPOZORNĚNÍ: Před použitím vzduchového odstraňovače prachu vždy zkontrolujte okolí. Vyfouknutý prach nebo předměty mohou zasáhnout další osoby.

⚠ UPOZORNĚNÍ: Nezapojte ani neodpojte vzduchovou hadici, když je stisknuté tlačítko vzduchového odstraňovače prachu.

Vzduch přiváděný do nářadí lze také použít pro odstraňování prachu. Pracovní prostor můžete vyčistit stisknutím tlačítka na konci rukojeti.

► Obr.10: 1. Tlačítko

POZOR: Po použití vzduchového odstraňovače prachu se šroubovací síla nářadí dočasně sníží. V takovém případě počkejte, než se tlak vzduchu obnoví.

POZOR: Pokud chcete použít vzduchový odstraňovač prachu okamžitě po nanesení oleje, proveďte zkušební vyfouknutí. Může dojít k rozprášení oleje spolu se vzduchem.

SESTAVENÍ

⚠ UPOZORNĚNÍ: Před zahájením jakékoli práce na nářadí vždy vraťte spoušť a zajišťovací páčku zpět a odpojte hadici.

Plnění hřebíkovačky

⚠ UPOZORNĚNÍ: Při stisknutí odjišťovacího tlačítka držte posuvná dvířka. Pokud jsou v zásobníku uloženy hřebíky bez hlavičky, posuvná dvířka se při stisknutí odjišťovacího tlačítka náhle otevrou.

⚠ UPOZORNĚNÍ: S posuvnými dvířky pohybujte vždy pomalu a opatrně. Při náhodném pádu hřebíků bez hlavičky, zejména při práci ve výškách, může dojít ke zranění.

⚠ UPOZORNĚNÍ: Při plnění zásobníku vždy vkládejte hřebíky stejného typu, velikosti a délky.

POZOR: Vkládejte hřebíky bez hlavičky správným směrem. Jejich vložením chybným směrem můžete způsobit předčasnou opotřebení nastřelovače a poškodit další části.

POZOR: Nepoužívejte deformované nebo spojené hřebíky bez hlavičky. Používejte pouze hřebíky bez hlavičky specifikované v této příručce. Při použití jiných než určených hřebíků bez hlavičky může dojít k uvíznutí hřebíků bez hlavičky nebo poškození hřebíkovačky.

1. Podržte posuvná dvířka, stiskněte odjišťovací tlačítko a otevřete posuvná dvířka.
► Obr.11: 1. Odjišťovací tlačítko 2. Posuvná dvířka
2. Umístěte hřebíky bez hlavičky proti zásobníku a zasuňte je kompletně do drážky. Dbejte na to, abyste vložili hřebíky bez hlavičky správným směrem.
3. Držte hřebíky bez hlavičky v této poloze a zasuňte je do vodítka nastřelovače.
► Obr.12: 1. Hřebíky bez hlavičky 2. Vodítko nastřelovače
4. Vraťte zásobník do původní polohy a ujistěte se, že vyskočilo odjišťovací tlačítko.

Rozměry hřebíků

S nástrojem lze použít pouze následující spojovací prvky.

Hřebíky bez hlavičky kalibr 23

► Obr.13

Maximální rozměr

► Obr.14: (1) 35 mm

Minimální rozměr

► Obr.15: (1) 15 mm (2) 0,6 mm

Vyjmutí hřebíků

Při vyjímání hřebíků bez hlavičky aplikujte opačný postup než při „Plnění hřebíkovačky“

Přední adaptér

Když přibijíte hřebíky bez hlavičky do křehkého povrchu, použijte přední adaptér.

Přední adaptér nainstalujte tak, že jej nasadíte přes kryt vodítka nastřelovače, aby výčnělky uvnitř předního adaptéru zapadly do krytu vodítka nastřelovače.

► Obr.16

Náhradní přední adaptér je uložen v držáku v zadní části posuvných dvířek.

► Obr.17

Připojení vzduchové hadice

⚠ UPOZORNĚNÍ: Při připojování vzduchové hadice neopírejte prst o spoušť.

- **Obr.18:** 1. Vzduchová přípojka 2. Vzduchová objímka

Vzduchovou objímku hadice navlečte na vzduchovou přípojku nářadí. Zkontrolujte, zda vzduchová objímka při instalaci na přípojku pevně zapadla na místo. Hadicová spojka musí být nainstalována na nářadí nebo v jeho blízkosti tak, aby se tlakový zásobník při rozpojení spojky vzduchového vedení vypustil.

PRÁCE S NÁŘADÍM

⚠ UPOZORNĚNÍ: Před uvedením do provozu se ujistěte, že jsou plně funkční všechny bezpečnostní systémy.

Kontrola správné funkčnosti před zahájením provozu

Před zahájením provozu se vždy ujistěte o následujícím.

- Ujistěte se, že se nářadí nespustí pouhým připojením vzduchové hadice.
- Ujistěte se, že se nářadí nespustí pouhým stisknutím spouště.

Nastřelování hřebíků bez hlavičky

⚠ VAROVÁNÍ: Před stisknutím spouště se ujistěte, že se špička dotýká povrchu materiálu. Náhodné vystřelení může způsobit zranění.

⚠ UPOZORNĚNÍ: Když nářadí nepoužíváte, vždy nastavte zajišťovací páčku do zajištěné polohy.

- **Obr.19**

1. Umístěte špičku na povrch materiálu na plochu a přidržte nářadí pevně proti materiálu.
2. Zatáhněte za zajišťovací páčku a stisknutím spouště nastřelíte hřebík bez hlavičky.
3. Po nastřelení hřebíku bez hlavičky zcela uvolněte spoušť a odjišťovací páčku.

Pokud vršek nastřeleného hřebíku bez hlavičky zůstává nad povrchem materiálu, držte hlavu hřebíkovačky při nastřelování pevně.

- **Obr.20**

POZNÁMKA: Pokud je spoušť stisknuta rychle po použití spouště, může se stát, že hřebíkovačka nebude reagovat a nevystřelí hřebík bez hlavičky. V takovém případě opětovným nastřelením hřebíku bez hlavičky zcela uvolněte spoušť a odjišťovací páčku.

POZOR: Nepoužívejte deformované hřebíky ani pásy s hřebíky. V opačném případě dojde k chybnému podávání hřebíků.

Mechanismus zabraňující nechtěnému spuštění

Nářadí je vybaveno mechanismem zamezujícím náhodnému spuštění. Pokud v zásobníku zbývá malé množství hřebíků, spoušť se zajistí ve stisknuté poloze, aby nedošlo k aktivaci nářadí. Když je nářadí aktivováno, doplňte hřebíky a obnovte provoz.

Kontrolka prázdného zásobníku

Když počet hřebíků v zásobníku klesne pod určitou úroveň, rozsvítí se červeně kontrolka prázdného zásobníku. Když se kontrolka prázdného zásobníku rozsvítí červeně, doplňte hřebíky.

- **Obr.21:** 1. Kontrolka prázdného zásobníku

Odstraňování uvíznutých hřebíků bez hlavičky

⚠ VAROVÁNÍ: Než začnete odstraňovat zaseknuté hřebíky, vždy vraťte spoušť a odjišťovací páčku zpět a odpojte hadici.

Pokud dojde k zaseknutí hřebíku bez hlavičky, postupujte podle následujícího postupu. Před vyjmutím zaseknutých hřebíků se ujistěte, že je odpojena hadice.

- **Obr.22:** 1. Šroub (A) 2. Šroub (B) 3. Kryt vodítka nastřelovače

1. Vyjměte zbývající hřebíky bez hlavičky ze zásobníku.
2. Demontujte přední adaptér
3. Uvolněte šroub (A) a šroub (B) jejich otočením přibližně o dvě otáčky pomocí imbusového klíče dodaného s hřebíkovačkou.
4. Odsuňte kryt vodítka nastřelovače.
5. Odstraňte uvíznuté hřebíky bez hlavičky, nečistoty, lepidlo, třísky atd. z cesty pro hřebíky bez hlavičky.
6. Zkontrolujte kryt vodítka nastřelovače, zda v něm nejsou zaseknuté hřebíky bez hlavičky nebo jiné cizí předměty.
7. Vraťte zpět kryt vodítka nastřelovače, zajistěte jej dvěma šrouby a vraťte zpět přední adaptér.

ÚDRŽBA

⚠ UPOZORNĚNÍ: Před kontrolou a údržbou vždy vraťte zpět spoušť a zajišťovací páčku a od nářadí odpojte hadici.

POZOR: Nikdy nepoužívejte benzín, benzen, ředidlo, alkohol či podobné prostředky. Mohlo by tak dojít ke změně barvy, deformacím či vzniku prasklin.

Údržba hřebíkovačky

Před použitím vždy zkontrolujte celkový stav nářadí a přesvědčte se, zda nejsou povoleny šrouby. V případě nutnosti spoje dotáhněte.

Každý den provádějte prohlídku odpojeného nářadí a kontrolujte volný pohyb zajišťovací páčky a spouště. Nářadí nepoužívejte, jestliže se spoušť nebo zajišťovací páčka zasekávají nebo zadržávají.

Jestliže nářadí nebude delší dobu používáno, namažte je olejem na pneumatické nářadí a uložte na bezpečné místo. Zařízení nevystavujte přímému slunečnímu záření, vlhkosti a vysokým teplotám.

► **Obr.23**

Údržba kompresoru, vzduchového systému a vzduchové hadice

Po skončení práce vždy odvodněte zásobník kompresoru a vzduchový filtr. Důsledkem proniknutí vlhkosti do nářadí může být nedostatečný výkon a možné selhání zařízení.

► **Obr.24:** 1. Odvodňovací kohout

► **Obr.25:** 1. Vzduchový filtr

Pravidelně kontrolujte, zda je v maznici vzduchového systému dostatek pneumatického oleje. Zanedbání dostatečného mazání způsobí rychlé opotřebení O-kroužků.

► **Obr.26:** 1. Maznice 2. Olej pro pneumatické nářadí

Vzduchové hadice nesmí být umístěny v blízkosti zdrojů tepla (přes 60°C / 140°F) a chemikálií (ředidla, silné kyseliny či alkálie). Hadice také ved'te mimo překážky, jež by mohly být při práci nebezpečným způsobem zachyceny. Hadice musí být rovněž vedeny mimo ostré hrany a oblasti, jež by mohly způsobit jejich poškození či odření.

Hřebíky

S pásy s hřebíky a jejich obalem zacházejte opatrně. Bude-li s pásy s hřebíky zacházeno hrubě, mohou se zdeformovat a způsobit problémy při podávání hřebíků. Hřebíky neskladujte na velmi vlhkém či velmi horkém místě ani je nevystavujte přímému slunečnímu záření.

K zachování BEZPEČNOSTI a SPOLEHLIVOSTI výrobku musí být opravy a veškerá další údržba či seřizování prováděny autorizovanými nebo továrními servisními středisky společnosti Makita s využitím náhradních dílů Makita.

VOLITELNÉ PŘÍSLUŠENSTVÍ

▲ UPOZORNĚNÍ: Pro nářadí Makita popsané v tomto návodu doporučujeme používat následující příslušenství a nástavce. Při použití jiného příslušenství či nástavců může hrozit nebezpečí zranění osob. Příslušenství lze používat pouze pro stanovené účely.

Potřebujete-li bližší informace ohledně tohoto příslušenství, obraťte se na místní servisní středisko společnosti Makita.

- Hřebíky bez hlavičky
- Vzduchová hadice
- Ochranné brýle

POZNÁMKA: Některé položky seznamu mohou být k nářadí přibaleny jako standardní příslušenství. Přibalené příslušenství se může v různých zemích lišit.

ТЕХНІЧНІ ХАРАКТЕРИСТИКИ

Модель:	AF353
Тиск повітря	0,45 - 0,69 МПа (4,5 - 6,9 бар)
Довжина цвяха	15, 18, 19, 25, 30, 35 мм
Кількість цвяхів	130 шт.
Мінімальний діаметр шланга	6,5 мм
Олива для пневматичних інструментів	ISO VG32 або аналог
Розміри (Д x Ш x В)	208 мм x 66 мм x 191 мм
Маса нетто	0,9 кг

- Оскільки наша програма наукових досліджень і розробок триває безперервно, наведені тут технічні характеристики можуть бути змінені без попередження.
- У різних країнах технічні характеристики можуть бути різними.

Символи

Далі наведено символи, які застосовуються для позначення обладнання. Перед користуванням переконайтеся, що ви розумієте їхнє значення.



Читайте інструкцію з експлуатації.



Вдягайте захисні окуляри.



Користуйтеся засобами захисту органів слуху.



Не використовуйте на рихтуваннях та драбинах.

Призначення

Інструмент призначено для внутрішніх робіт або для робіт на меблях.

Інструмент призначений виключно для професійного виконання великих обсягів робіт. Не використовуйте його в інших цілях. Інструмент не призначено для вбивання кріпильних виробів у тверді поверхні, як от сталь і бетон.

Шум

Рівень шуму за шкалою А в типовому виконанні, визначений відповідно до стандарту ISO11148-13 (EN12549):
Рівень звукового тиску (L_{pA}): 92 дБ (А)
Рівень звукової потужності (L_{WA}): 101 дБ (А)
Похибка (К): 3 дБ (А)

ПРИМІТКА: Заявлене значення шуму було виміряно відповідно до стандартних методів тестування й може використовуватися для порівняння одного інструмента з іншим.

ПРИМІТКА: Заявлене значення шуму може також використовуватися для попереднього оцінювання впливу.

▲ПОПЕРЕДЖЕННЯ: Користуйтеся засобами захисту органів слуху.

▲ПОПЕРЕДЖЕННЯ: Залежно від умов використання рівень шуму під час фактичної роботи електроінструмента може відрізнятись від заявленого значення вібрації; особливо сильно на це впливає тип деталі, що оброблюється.

▲ПОПЕРЕДЖЕННЯ: Забезпечте належні запобіжні заходи для захисту оператора, що відповідатимуть умовам використання інструмента (слід брати до уваги всі складові робочого циклу, як-от час, коли інструмент вимкнено та коли він починає працювати на холостому ході під час запуску).

Вібрація

Загальна величина вібрації, визначена відповідно до ISO11148-13 (ISO8662-11):

Вібрація (a_h): 3,7 м/с²

Похибка (К): 1,5 м/с²

ПРИМІТКА: Заявлене загальне значення вібрації було виміряно відповідно до стандартних методів тестування й може використовуватися для порівняння одного інструмента з іншим.

ПРИМІТКА: Заявлене загальне значення вібрації може також використовуватися для попереднього оцінювання впливу.

▲ПОПЕРЕДЖЕННЯ: Залежно від умов використання вібрація під час фактичної роботи електроінструмента може відрізнятись від заявленого значення вібрації; особливо сильно на це впливає тип деталі, що оброблюється.

▲ПОПЕРЕДЖЕННЯ: Забезпечте належні запобіжні заходи для захисту оператора, що відповідатимуть умовам використання інструмента (слід брати до уваги всі складові робочого циклу, як-от час, коли інструмент вимкнено та коли він починає працювати на холостому ході під час запуску).

Декларація про відповідність стандартам ЄС

Тільки для країн Європи

Декларацію про відповідність стандартам ЄС наведено в Додатку А до цієї інструкції з експлуатації.

ПОПЕРЕДЖЕННЯ ПРО ДОТРИМАННЯ ТЕХНІКИ БЕЗПЕКИ

Попередження про необхідну обережність під час роботи з пневматичним цвяхозабивним пістолетом / степлером

⚠ ПОПЕРЕДЖЕННЯ: Прочитайте всі попередження про дотримання техніки безпеки та всі інструкції. Недотримання цих попереджень та інструкцій може призвести до важких травм, ураження електричним струмом та/або до виникнення пожежі.

Збережіть усі інструкції з техніки безпеки та експлуатації на майбутнє.

З метою забезпечення особистої безпеки та нормального функціонування інструмента прочитайте цю інструкцію з експлуатації перед початком роботи з інструментом.

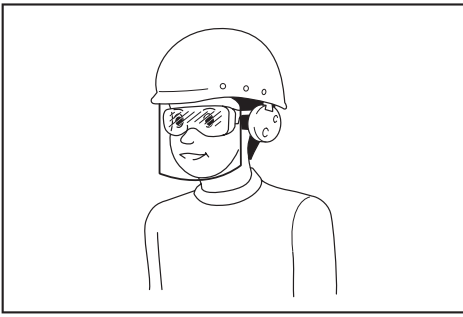
Загальні заходи безпеки

1. Використовувати інструмент в інших цілях заборонено. Кріпильні інструменти з неперервним контактним спрацюванням або контактним спрацюванням слід використовувати лише в галузі виробництва.
2. Не підносьте пальці близько до курка, коли інструмент не використовується та коли ви переходите між місцями використання.
3. Різноманітні ризики. Прочитайте та зрозумійте інструкції з техніки безпеки, перш ніж підключати, відключати, заряджати, експлуатувати інструмент, здійснювати його технічне обслуговування, заміняти його приладдя або працювати поруч із ним. Недотримання цієї вимоги може призвести до отримання серйозних травм.
4. Тримайте руки, ноги та інші частини тіла подалі від напрямку спрацювання та переконайтеся, що робоча деталь із кріпильного інструмента не може проникнути в частини тіла.
5. Використовуючи кріпильний інструмент, пам'ятайте, що він може відхилитися, що може призвести до отримання травм.
6. Міцно тримайте інструмент і будьте готові до віддачі.
7. Використовувати кріпильний інструмент можуть лише оператори, які мають спеціальні технічні навички.

8. Заборонено модифікувати кріпильний інструмент. Модифікації можуть призвести до зниження ефективності заходів безпеки та збільшення ризиків для оператора та/або осіб, які перебувають поруч.
9. Не викидайте цю інструкцію з експлуатації.
10. Не використовуйте інструмент, якщо він пошкоджений.
11. Будьте обережні, працюючи з кріпильними інструментами, особливо під час їх заряджання й розряджання, оскільки вони мають гострі деталі, що можуть призвести до поранення.
12. Перед використанням завжди перевіряйте інструмент на наявність зламаних, неправильно приєднаних і зношених частин.
13. Використовуючи інструмент, не тягніться занадто далеко. Використовуйте лише в безпечному робочому середовищі. Завжди твердо стійте на ногах і тримайте рівновагу.
14. Не підпускайте близько сторонніх людей (працюючі в місцях із високою ймовірністю появи людей). Чітко позначайте зону, де ви працюєте.
15. Ніколи не спрямовуйте інструмент на себе або інших людей.
16. Не тримайте палець на курку, коли берете інструмент, пересуваєтесь між робочими місцями або положеннями та коли ходите, оскільки це може призвести до випадкового спрацювання. Перш ніж використовувати інструменти з можливістю вибору способу спрацювання, завжди перевіряйте, чи вибрано правильний режим.
17. Надягайте лише такі рукавиці, які дають змогу належним чином відчувати курки й пристрої регулювання та безпечно їх використовувати.
18. Залишаючи інструмент, кладіть його на пласку поверхню. Якщо ви використовуєте гак разом з інструментом, надійно прикріплюйте інструмент до стійкої поверхні за допомогою гака.
19. Не працюйте з інструментом, перебуваючи під впливом алкоголю, ліків тощо.

Ризики відлітання частин

1. Від'єднуйте кріпильний інструмент від електромережі, коли виймаєте кріпильні вироби, виконуєте налаштування, усуваєте затискання або заміняєте приладдя.
2. Під час експлуатації інструмента будьте обережні, щоб кріпильні вироби правильно проникли в матеріал і не відхилилися й не відлітали в бік оператора або інших осіб.
3. Під час експлуатації можуть відлітати уламки від робочої деталі та кріпильного інструмента або системи комплектування.
4. Завжди користуйтеся захисними окулярами, щоб захистити очі від травмування під час роботи з електроінструментами. Захисні окуляри мають відповідати стандарту ANSI Z87.1 у США, EN 166 у Європі або AS/NZS 1336 в Австралії / Новій Зеландії. В Австралії / Новій Зеландії законодавство вимагає користуватися також щитком для захисту обличчя.



Роботодавець відповідає за те, щоб оператори інструментів та інші особи, які знаходяться безпосередньо в робочій зоні, примусово користувалися відповідним захисним устаткуванням.

5. Оператор має оцінити ризик для інших осіб.
6. Будьте обережні, коли інструменти не контактують із робочою деталлю, оскільки вони можуть випадково спрацювати та поранити оператора та/або інших осіб, які перебувають поруч.
7. Завжди переконуйтеся, що інструмент безпечно контактує з робочою деталлю та не може зісковзнути.
8. Використовуйте засоби захисту слуху від шуму та носіть захисний головний убір. Носіть легкий, але не вільний одяг. Рукави необхідно застібнути або загорнути. Не слід носити краватку.

Експлуатаційні ризики

1. Правильно тримайте інструмент: будьте готові протидіяти звичайним або несподіваним рухам, таким як віддача.
2. Тримайте рівновагу й твердо стійте на ногах.
3. Необхідно використовувати належні захисні окуляри та рекомендовано надягати рукавиці й захисний одяг.
4. Застосовуйте належні засоби для захисту органів слуху.
5. Використовуйте правильне енергоживлення, як зазначено в інструкції з експлуатації.
6. Не використовуйте інструмент на рухливих платформах або кузовах вантажного автомобіля. Раптове переміщення платформи може призвести до втрати контролю над інструментом та спричинити травму.
7. Постійно пам'ятайте, що інструмент містить кріпильні деталі.
8. Під час роботи не поспішайте та не застосовуйте надмірну силу до інструмента. Поводьтеся з інструментом обережно.
9. Під час роботи з інструментом необхідно забезпечити надійну опору та утримувати рівновагу. Під час роботи на узвишші переконайтеся, що внизу немає людей, та закріпіть повітряний шланг, щоб уникнути небезпек в разі несподіваного поштовху чи ривку.

10. Під час роботи на даху або в інших високо розташованих місцях вкручуйте кріпильні деталі в міру свого просування вперед. Якщо забивати кріпильні деталі, рухаючись спиною вперед, можна легко втратити опору. У разі вкручування кріпильних деталей у вертикальну поверхню починайте роботу зверху та просувайтеся вниз. Виконуючи роботу в такому порядку, ви будете менше втомлюватися.
11. Якщо помилково закрутити одну кріпильну деталь поверх іншої або закрутити її на місці сучка на деревині, кріпильна деталь може зігнути або інструмент може заклинитися. Кріпильна деталь може відлетіти і травмувати когось, або сам інструмент може небезпечно відскочити. Ретельно вибирайте місце для забивання кріпильних деталей.
12. Не залишайте заряджений інструмент або повітряний компресор під тиском на довгий час на сонці. Не допускайте потрапляння пилу, піску, скалок та сторонніх предметів у інструмент у місці, де ви його залишаєте.
13. Ніколи не намагайтеся вкручувати кріпильні деталі одночасно як зсередини, так і ззовні. Кріпильні деталі можуть пробити робочу поверхню та/або відлетіти, спричинивши серйозну небезпеку.

Ризики, пов'язані з повторюваними рухами

1. Використовуючи інструмент протягом тривалого часу, оператор може відчувати дискомфорт у кистях, руках, плечах, шії або інших частинах тіла.
2. Під час використання інструмента оператор повинен приймати відповідне для роботи, але ергономічне положення. Твердо стійте на ногах і уникайте незручних та нестійких поз.
3. У разі появи таких симптомів, як постійний або періодичний дискомфорт, біль, зокрема пульсуючий, шум у вухах, замініння, відчуття печії або скованості, не ігноруйте ці тривожні сигнали. Оператору слід проконсультуватися стосовно своєї роботи з медичним фахівцем.
4. Тривале використання інструмента може призвести до травмування внаслідок хронічного напруження через віддачу інструмента.
5. Для запобігання травми від багаторазового виникнення напруги оператору не слід тягнути або застосовувати надмірну силу. Окрім цього, слід відпочити, якщо з'явиться втома.
6. Проведіть оцінку ризику стосовно небезпеки повторюваного руху. При цьому головну увагу слід приділити скелетно-м'язовим порушенням і дотримуватися принципу, що чим менша втома під час роботи, тим менше порушень.

Ризики, пов'язані з приладдям і витратними матеріалами

1. Від'єднуйте від інструмента енергопостачання, наприклад подачу повітря чи газу або акумуляторну батарею, перш ніж замінити приладдя, наприклад елементи, що контактують із робочою деталлю, або виконувати будь-які налаштування.

2. Використовуйте приладдя лише тих типів і розмірів, які вказані виробником.
3. Використовуйте лише ті мастила, які рекомендовані в цій інструкції.

Ризики травмування на робочому місці

1. Підсковзування, спотикання та падіння є головними причинами травмування на робочому місці. Пам'ятайте про слизькі поверхні, спричинені використанням інструмента, а також про ризики спотикання через повітряний шланг.
2. Будьте особливо обережні в незнайомих місцях. Може існувати прихована небезпека, наприклад електричні або інші комунікаційні лінії.
3. Цей інструмент не призначений для використання у вибухонебезпечних середовищах і не ізолюваний від контакту з електроживленням.
4. Переконайтесь у відсутності електричних кабелів, газових труб тощо, які можуть становити небезпеку в разі пошкодження інструментом.
5. Робоче місце має бути чистим і добре освітленим. Захаращене або темне робоче місце часто є причиною виникнення нещасних випадків.
6. Можуть діяти місцеві нормативні положення стосовно шуму, яких необхідно дотримуватися, не перевищуючи дозволений рівень шуму. У деяких випадках слід використовувати віконниці для стримування шуму в межах приміщення, в якому виконується робота.

Ризики, пов'язані з пилом і вихлопами

1. Завжди перевіряйте середовище навколо себе. Повітря, що випускається з інструмента, може переносити пил або об'єкти, які можуть потрапити на оператора або інших осіб, які перебувають поруч.
2. В умовах запиленого середовища спрямуйте витяг так, щоб мінімізувати вплив пилу.
3. У разі викидів пилу чи інших об'єктів у робочій зоні максимально скоротіть викиди для того, щоб зменшити небезпеку для здоров'я та ризик травми.

Небезпека шуму

1. Відсутність захисту від високих рівнів шуму може спричинити незворотну втрату слуху, що призводить до інвалідності, а також інші проблеми на кшталт тіннітуса (дзвін, гудіння, свист або дзижчання у вухах).
2. Проведіть оцінку ризику стосовно небезпеки через шум у робочій зоні та застосуйте необхідний контроль над такою небезпекою.
3. Можна належним чином зменшити ризик, наприклад, змочуючи матеріали, щоб робочі деталі не дзвеніли.
4. Використовуйте відповідні засоби захисту органів слуху.
5. Експлуатуйте інструмент і здійснійте його технічне обслуговування відповідно до рекомендацій, зазначених у цих інструкціях, щоб запобігати небажаному збільшенню рівнів шуму.

6. Вживайте заходи для зменшення шуму, наприклад кладіть робочі деталі на шумопоглинаючі опори.

Небезпека вібрації

1. Дія вібрації під час роботи залежить від сили стиснення, сили натиску під час контакту, напрямку роботи, налаштування енергоживлення, робочої деталі та опори робочої деталі. Проведіть оцінку ризику стосовно небезпеки вібрації та застосуйте необхідний контроль над такою небезпекою.
2. Дія вібрації може призвести до порушення кровопостачання та функціонування нервової системи рук.
3. Працюючи в холодних умовах, надягайте теплий одяг на руки, щоб тримати їх сухими й теплими.
4. Якщо ви відчуєте заціпеніння, пощипування, біль у пальцях чи руках або помітите побліління шкіри на них, проконсультуйтеся стосовно своєї роботи з медичним фахівцем у галузі гігієни праці.
5. Експлуатуйте інструмент і здійснійте його технічне обслуговування відповідно до рекомендацій, наведених у цих інструкціях, щоб запобігати небажаному збільшенню рівнів вібрації.
6. Тримайте інструмент легко, але надійно, оскільки ризик від вібрації завжди вищий, коли зусилля стиснення більше.

Додаткові попередження у разі роботи з пневматичними інструментами

1. Стиснуте повітря може спричинити серйозні травми.
2. Завжди перекривайте подавання повітря та від'єднуйте інструмент від системи подавання повітря, коли він не використовується.
3. Завжди від'єднуйте інструмент від системи подавання стиснутого повітря, перш ніж замінити приладдя, здійснювати налаштування та/або ремонт і переходити між місцями роботи.
4. Не підносьте пальці близько до курка, коли інструмент не використовується та коли ви переходите між місцями використання.
5. Забороняється спрямовувати стиснуте повітря на себе або інших людей.
6. Хльосткі удари шлангів можуть спричинити серйозні травми. Завжди перевіряйте, чи немає пошкоджених або незакріплених шлангів або з'єднань.
7. Забороняється піднімати пневматичний інструмент, тримаючи його за шланг.
8. Забороняється тягнути пневматичний інструмент, тримаючи його за шланг.
9. Використовуючи пневматичні інструменти, ніколи не перевищуйте встановлене для них значення максимального статичного робочого тиску.
10. Слід подавати стиснуте повітря в пневматичні інструменти з мінімальним тиском, потрібним для робочого процесу, щоб зменшити шум і вібрацію та мінімізувати зношення.

- Використання кисню або горючих газів для роботи пневматичних інструментів створює небезпеку займання та вибуху.
- Будьте обережні: під час використання пневматичні інструменти можуть охолоджуватися, що може ускладнювати їх стискання та контроль.

Запобіжні пристрої

- Перед початком роботи обов'язково перевірте справність усіх систем безпеки.** Інструмент не повинен вмикатися лише натисканням куркового вмикача або лише притисканням важеля безпеки до деревини. Він повинен спрацьовувати, лише коли виконуються обидві дії. Перевіряйте інструмент на наявність можливих несправностей, коли кріпильні деталі не заряджено, а поршень перебуває у повністю відтягнутому положенні.
- Фіксація курка в положенні ON (увімкнено) є дуже небезпечною.** У жодному разі не намагайтеся зафіксувати курок.
- Не намагайтеся утримувати контактний елемент або інші запобіжні елементи натиснутими за допомогою стрічки або дроту.** Це може призвести до важкої травми або смерті.

Обслуговування

- Проводьте чищення та технічне обслуговування одразу після закінчення роботи.** Тримайте інструмент у найкращому стані. Змашуйте рухомі частини, щоб запобігти утворенню іржі та мінімізувати зношення через тертя. Витирайте пил з усіх деталей.
- Звертайтеся до авторизованого сервісного центру Makita з метою проведення періодичної перевірки інструмента.**
- Щоб забезпечити БЕЗПЕКУ та НАДІЙНІСТЬ виробу, його ремонт та технічне обслуговування повинні виконувати авторизовані сервісні центри Makita і лише із використанням запасних частин виробництва компанії Makita.**
- Дотримуйтеся місцевих норм щодо утилізації інструмента.**

ЗБЕРІГАЙТЕ ЦІ ВКАЗІВКИ.

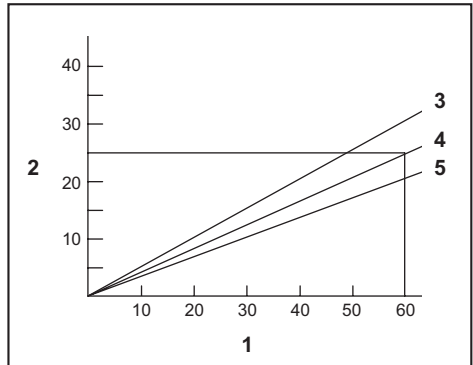
▲ ПОПЕРЕДЖЕННЯ: НІКОЛИ НЕ втрачайте пильності та не розслабляйтеся під час користування виробом (що можливо при частому користуванні); обов'язково строго дотримуйтеся відповідних правил безпеки. **НЕНАЛЕЖНЕ ВИКОРИСТАННЯ** або недотримання правил безпеки, викладених у цій інструкції з експлуатації, може призвести до серйозних травм.

ОПИС ДЕТАЛЕЙ

- **Рис.1:** 1. Стопорний важіль 2. Курок 3. Гак 4. Захисний адаптер 5. Засувка

ВСТАНОВЛЕННЯ

Вибір компресора



- Частота вбивання цвяхів (разів/хв)
- Продуктивність компресора за хвилину (л/хв)
- 0,69 МПа (6,9 бар) 4. 0,57 МПа (5,7 бар) 5. 0,45 МПа (4,5 бар)

Повітряний компресор повинен відповідати вимогам стандарту EN60335-2-34.

Підберіть компресор із достатньо потужним тиском і виходом повітря для забезпечення економічності в роботі. На діаграмі показано відношення між частотою вбивання цвяхів, відповідним рівнем тиску та виходом повітря від компресора. Наприклад, якщо забивання цвяхів відбувається зі швидкістю приблизно 60 разів на хвилину, а рівень тиску 0,57 МПа (5,7 бар), вам потрібен компресор із виходом повітря понад 25 літрів за хвилину.

Необхідно використовувати регулятори тиску для обмеження тиску повітря інструмента, якщо тиск подачі повітря перевищує номінальний тиск інструмента. Недотримання цієї інструкції може призвести до серйозного травмування оператора інструмента або осіб, що знаходяться поблизу нього.

Вибір повітряного шланга

▲ ОБЕРЕЖНО: Низька продуктивність компресора або занадто великий чи занадто малий діаметр повітряного шланга відносно частоти забивання цвяхів може спричинити зниження продуктивності інструмента.

► Рис.2

Використовуйте якомога ширший і коротший повітряний шланг для забезпечення тривалого та ефективного забивання кріпильних виробів.

Якщо повітряний тиск дорівнює 0,49 МПа (4,9 бар), рекомендується використовувати повітряний шланг із внутрішнім діаметром понад 6,5 мм і довжиною до 20 м, якщо операції забивання здійснюються з інтервалом 0,5 сек. Шланги подачі повітря повинні мати мінімальний робочий тиск 1,03 МПа (10,3 бар) або 150 відсотків від максимального тиску в системі (більше з цих двох значень).

Змашування

► Рис.3

Для забезпечення максимальної ефективності під час експлуатації встановіть комплекти повітряний пристрій (маслянку, регулятор, повітряний фільтр) якомога ближче до інструмента. Відрегулюйте маслянку таким чином, щоб подача однієї краплі мастила припадала на кожні 50 цвяхів.

Якщо комплектний повітряний пристрій не використовується, змастіть інструмент пневматичним мастилом, наносячи 2 (дві) або 3 (три) краплі мастила в повітряний штуцер. Проводьте цю операцію до і після роботи з інструментом.

Для забезпечення необхідного змашування інструмент слід запустити кілька разів після нанесення оливи для пневматичного інструмента.

► Рис.4: 1. Олива для пневматичних інструментів

ОПИС РОБОТИ

▲ОБЕРЕЖНО: Перш ніж налаштувати або перевіряти роботу інструмента, завжди відлучайте курок і стопорний важіль та від'єднайте шланг.

Курок і стопорний важіль

▲ПОПЕРЕДЖЕННЯ: Приєднуючи шланг, не тримайте пальці на курку або стопорному важелі. У протилежному випадку інструмент може несподівано спрацювати й спричинити травми.

Інструмент оснащено стопорним важелем для захисту від ненавмисного натискання курка.

Щоб забити цвях, спочатку потрібно натиснути на стопорний важіль, а потім на курок.

► Рис.5: 1. Стопорний важіль

► Рис.6: 1. Курок

Перевірка систем безпеки

▲ПОПЕРЕДЖЕННЯ: Перед початком роботи обов'язково перевірте справність усіх систем безпеки. Невиконання цієї вимоги може призвести до отримання травм.

▲ОБЕРЕЖНО: Перевірте, щоб в інструмент не були заряджені цвяхи.

► Рис.7: 1. Курок 2. Стопорний важіль

Перш ніж розпочати забивання цвяхів, перевірте систему безпеки таким чином:

1. Потягніть засувку магазину до себе, щоб звільнити механізм блокування спрацювання в разі нестачі цвяхів.

2. Розрядіть інструмент.

3. Переконайтеся, що **неможливо** натиснути курок, не натиснувши стопорний важіль.

4. Переконайтеся, що можете натиснути курок, після того як ви натиснули стопорний важіль.

Якщо описана вище перевірка дасть негативні результати, припиніть використання інструмента та зверніться до авторизованого сервісного центру для ремонту.

Гак

▲ОБЕРЕЖНО: Перед використанням гака переконайтеся, що пальці не знаходяться на курку або стопорному важелі, і від'єднайте шланг від інструмента.

▲ОБЕРЕЖНО: Ніколи не підвішуйте інструмент за гак високо та не залишайте його на потенційно нестійкій поверхні.

▲ОБЕРЕЖНО: Не вішайте гак на пояс.

Випадкове падіння цвяхозабивного інструмента може спричинити його незаплановане спрацювання та травмування.

► Рис.8: 1. Гак

Гачок використовується для тимчасового підвішування інструмента.

Зберігання шестигранного ключа

Зберігайте шестигранний ключ (показаний на рисунку) в надійному місці, щоб не загубити його, коли він не використовується.

► Рис.9: 1. Шестигранний ключ

Повітродувка

▲ОБЕРЕЖНО: Не спрямовуйте випускний отвір повітродувки на людей. Також не наближайте руки та ноги до випускного отвору. Це може призвести до травмування в разі випадкового натискання кнопки повітродувки.

▲ОБЕРЕЖНО: Перед використанням повітродувки для видалення пилу обов'язково переконайтеся у відсутності людей поблизу. На них можуть потрапити пил та інші предмети, здуті повітродувкою.

▲ОБЕРЕЖНО: Не під'єднуйте та не від'єднуйте повітряний шланг під час натискання кнопки повітродувки.

Повітря, що подається в інструмент, можна також використовувати для видалення пилу за допомогою повітродувки. Можна очистити робоче місце, натиснувши кнопку на кінці ручкятки.

► Рис.10: 1. Кнопка

УВАГА: Після використання повітродувки продуктивність інструмента тимчасово зменшиться. У такому разі зачекайте, поки тиск повітря відновиться.

УВАГА: У разі використання повітродувки одразу після змашування зробіть тестове розпилювання. Можливе розбризкування оливи разом із повітрям.

ЗБОРКА

⚠ОБЕРЕЖНО: Перш ніж виконувати будь-які роботи з інструментом, завжди відпускайте курок і стопорний важіль та від'єднуйте шланг.

Зарядження цвяхозабивного інструмента

⚠ОБЕРЕЖНО: Тримайте засувку, натискаючи кнопку розблокування. Якщо в магазин заряджено цвяхи, засувка несподівано рухається під час натискання кнопки розблокування.

⚠ОБЕРЕЖНО: Завжди переміщайте засувку повільно й обережно. Якщо ви випадково упустили цвяхи, особливо під час роботи на висоті, це може призвести до травмування людей.

⚠ОБЕРЕЖНО: Заряджаючи цвяхи в магазин, використовуйте цвяхи однакового типу, розміру та довжини.

УВАГА: Заряджайте цвяхи у правильному напрямку. Зарядження в неправильному напрямку може призвести до передчасного зношування інструмента й пошкодження інших деталей.

УВАГА: Не використовуйте деформовані цвяхи. Слід використовувати тільки цвяхи, зазначені в цьому посібнику. Використання інших цвяхів, ніж зазначені, може призвести до того, що вони будуть застрягати, і до поломки інструмента.

1. Тримавши засувку, натисніть кнопку розблокування та посуňte засувку, щоб відкрити її.

► **Рис.11:** 1. Кнопка розблокування 2. Засувка

2. Вставте цвяхи в магазин і рухайте їх у заглиблення до упору. (Переконайтеся, що ви вставляєте цвяхи у правильному напрямку.)

3. Тримавши цвяхи в цьому положенні, вставляйте їх у заглиблення напрямного пристрою до упору.

► **Рис.12:** 1. Цвяхи 2. Направний пристрій

4. Поверніть магазин в початкове положення, доки кнопка розблокування не вискочить.

Розмір цвяхів

З інструментом можна використовувати лише зазначені нижче кріпильні вироби.

Цвяхи 23-го калібру

► **Рис.13**

Максимальний

► **Рис.14:** (1) 35 мм

Мінімальний

► **Рис.15:** (1) 15 мм (2) 0,6 мм

Розрядження інструмента

Щоб вийняти цвяхи, виконайте процедуру «Зарядження цвяхозабивного інструмента» у зворотному порядку.

Захисний адаптер

Забиваючи цвяхи на делікатних поверхнях, використовуйте захисний адаптер. Щоб установити захисний адаптер, покладіть його на кришку напрямного пристрою таким чином, щоб виступи всередині захисного адаптера входили в кришку напрямного пристрою.

► **Рис.16**

Запасний захисний адаптер зберігається в держаку на кінець засувки.

► **Рис.17**

Приєднування повітряного шланга

⚠ОБЕРЕЖНО: Не тримайте пальці на курку вмикача, коли повітряний шланг під'єднано.

► **Рис.18:** 1. Повітряний штуцер 2. Отвір повітряного шланга

Надіньте отвір повітряного шланга на повітряний штуцер інструмента. Отвір повітряного шланга повинен бути міцно закріплений на повітряному штуцері. Муфта шланга має бути встановлена на інструменті або біля нього таким чином, щоб напірний резервуар розряджався в разі від'єднання муфти подачі повітря.

РОБОТА

⚠ОБЕРЕЖНО: Перед початком роботи обов'язково перевірте справність усіх систем безпеки.

Перевірка належної роботи інструмента перед експлуатацією

Перед експлуатацією завжди виконуйте перелічені нижче перевірки.

- Переконайтеся, що приєднання повітряного шланга недостатньо для спрацювання інструмента.
- Переконайтеся, що натискання курка недостатньо для спрацювання інструмента.

Забивання цвяхів

⚠ПОПЕРЕДЖЕННЯ: Обов'язково прикладайте адаптер до матеріалу, перед тим як натиснути курок. Незаплановане спрацювання може призвести до отримання травм.

⚠ОБЕРЕЖНО: Якщо інструмент не використовується, завжди налаштовуйте важіль блокування на положення блокування курка.

► Рис.19

1. Рівно покладіть адаптер на матеріал і міцно прикладіть інструмент до матеріалу.
2. Натисніть на стопорний важіль і натисніть на курок до упору, щоб забити цвях.
3. Після забивання цвяха обов'язково повністю відпустіть курок і стопорний важіль.

Якщо головка забитого цвяха залишається над поверхнею матеріалу, міцно тримайте головку цвяхозабивного інструмента під час забивання.

► Рис.20

ПРИМІТКА: Якщо курок натиснути одразу ж після його швидкого спрацювання, цвяхозабивний інструмент може швидко спрацювати, не вистрілювши цвяхом. У такому разі повністю відпустіть курок і стопорний важіль, а потім знову забийте цвях.

УВАГА: Не використовуйте деформований цвяхи або обійми цвяхів. Недотримання цієї вимоги призводить до неполадок у подачі цвяхів.

Механізм блокування спрацювання при нестачі скоб

Цей інструмент обладнаний механізмом блокування спрацювання в разі нестачі цвяхів. Якщо в магазині залишилося мало цвяхів, курок буде заблоковано в ненависному положенні, щоб запобігти активації інструмента. Коли його буде активовано, зарядьте нові цвяхи, щоб відновити роботу.

Індикатор порожнього магазину

Коли в магазині залишається мало цвяхів, індикатор порожнього магазину загоряється червоним. Коли індикатор порожнього магазину загоряється червоним, зарядьте нові цвяхи.

► Рис.21: 1. Індикатор порожнього магазину

Усунення цвяхів, що застрягли

ПОПЕРЕДЖЕННЯ: Перш ніж видаляти цвяхи, що застрягли, завжди відпускайте курок і стопорний важіль та від'єднуйте шланг.

Якщо застряг цвях, видаляйте його, виконавши описане нижче. Перш ніж видаляти цвяхи, що застрягли, обов'язково від'єднайте шланг.

► Рис.22: 1. Болт (А) 2. Болт (В) 3. Кришка напрямного пристрою

1. Вийміть цвяхи, що залишилися у магазині.
2. Зніміть захисний адаптер.
3. Відкрутіть болт (А) та болт (В), повернувши їх приблизно на два обороти, використовуючи шестигранний ключ, який постачається в комплекті з інструментом.
4. Зніміть кришку напрямного пристрою, посувши її.
5. Видаліть цвяхи, що застрягли, бруд, липкі речовини, стружку тощо з проходу цвяхів.
6. Перевірте, чи до кришки напрямного пристрою не причепилися цвяхи та інші сторонні матеріали.
7. Поверніть кришку напрямного пристрою на місце, закріпіть її за допомогою цих двох болтів і встановіть захисний адаптер.

ТЕХНІЧНЕ ОБСЛУГОВУВАННЯ

ОБЕРЕЖНО: Перед початком перевірки та проведенням робіт із технічного обслуговування завжди повертайте на місце курок і стопорний важіль та від'єднуйте шланг.

УВАГА: Ніколи не використовуйте газолін, бензин, розріджувач, спирт та подібні речовини. Їх використання може призвести до зміни кольору, деформації або появи тріщин.

Технічне обслуговування цвяхозабивного інструмента

Перед початком роботи обов'язково перевірте справність інструмента, зокрема, чи немає ослаблених гвинтів. За потреби затягніть гвинти.

При від'єданому інструменті щодня проводьте перевірку з метою забезпечення вільного ходу стопорного важеля та курка. Не використовуйте інструмент, якщо курок або стопорний важіль не натискаються або зігнути.

Для довготривалого зберігання інструмента змастіть його пневматичним мастилом і помістіть у захищене місце для зберігання. Не залишайте інструмент під прямим сонячним промінням та/або у вологих чи спекотних умовах.

► Рис.23

Технічне обслуговування компресора, комплектного повітряного пристрою та повітряного шланга

Після роботи з інструментом завжди зливайте конденсат із бака компресора та повітряного фільтра. Проникнення вологи в інструмент може призвести до зниження ефективності роботи та відмови інструмента.

► Рис.24: 1. Зливний кран

► Рис.25: 1. Повітряний фільтр

Регулярно проводьте перевірку наявності достатньої кількості пневматичного мастила в маслянці комплектного повітряного пристрою. Незабезпечення достатнього змащування призводить до швидкого зношування ущільнювальних кілець.

► Рис.26: 1. Маслянка 2. Олива для пневматичних інструментів

Тримайте повітряний шланг подалі від джерела нагрівання (понад 60°C, понад 140°F) та хімічних речовин (розчинників, сильних кислот або лугів). Крім того, проводьте шланг таким чином, щоб уникнути його небезпечного зачіпання за сторонні предмети під час роботи. Шланги повинні знаходитися на безпечній відстані від гострих країв предметів, які можуть пошкодити або стерти шланг.

Цвяхи

Обережно переносьте та зберігайте обійми цвяхів і коробку з-під них. У разі необережного поводження вони можуть деформуватися, що може спричинити неправильну подачу цвяхів.

Не можна зберігати цвяхи в дуже вологих або спертних місцях чи під прямим сонячним промінням.

Для забезпечення БЕЗПЕКИ та НАДІЙНОСТІ продукції, її ремонт, а також роботи з обслуговування або регулювання повинні виконуватись уповноваженими або заводськими сервісними центрами Makita із використанням запчастин виробництва компанії Makita.

ДОДАТКОВЕ ПРИЛАДДЯ

⚠ ОБЕРЕЖНО: Це додаткове та допоміжне обладнання рекомендовано використовувати з інструментом Makita, зазначеним у цій інструкції з експлуатації. Використання будь-якого іншого додаткового та допоміжного обладнання може становити небезпеку травмування. Використовуйте додаткове та допоміжне обладнання лише за призначенням.

У разі необхідності отримати допомогу в більш детальному ознайомленні з оснащенням звертайтеся до місцевого сервісного центру Makita.

- Цвяхи
- Повітряний шланг
- Захисні окуляри

ПРИМІТКА: Деякі елементи списку можуть входити до комплекту інструмента як стандартне приладдя. Вони можуть відрізнятися залежно від країни.





SPECIFICAȚII

Model:	AF353
Presiunea aerului	0,45 - 0,69 MPa (4,5 - 6,9 bar)
Lungimea cuiului	15, 18, 19, 25, 30, 35 mm
Capacitate cuie	130 pcs.
Diametrul minim al furtunului	6,5 mm
Ulei pentru unelte pneumatice	ISO VG32 sau echivalent
Dimensiuni (L x l x Î)	208 mm x 66 mm x 191 mm
Greutate netă	0,9 kg

- Datorită programului nostru continuu de cercetare și dezvoltare, specificațiile pot fi modificate fără o notificare prealabilă.
- Specificațiile pot varia în funcție de țară.

Simboluri

Mai jos sunt prezentate simbolurile de pe echipament. Asigurați-vă că înțelegeți sensul acestora înainte de utilizare.

	Citiți manualul de utilizare.
	Purtați ochelari de protecție.
	Purtați echipament de protecție pentru urechi.
	Nu folosiți pe schele sau pe scări.

Destinația de utilizare

Mașina este destinată operațiilor de montare în interior și a mobilierului.

Mașina este destinată numai aplicațiilor profesionale de volum ridicat. Nu utilizați mașina în alte scopuri. Aceasta nu este proiectată pentru a aplica dispozitive de fixare pe o suprafață tare precum oțel și beton.

Zgomot

Nivelul de zgomot normal ponderat A determinat în conformitate cu ISO11148-13 (EN12549):
 Nivel de presiune acustică (L_{pA}): 92 dB(A)
 Nivel de putere acustică (L_{WA}): 101 dB (A)
 Marjă de eroare (K): 3 dB(A)

NOTĂ: Valoarea (valorile) totală(e) a (ale) emisiilor de zgomot declarate a(u) fost măsurată(e) în conformitate cu o metodă de test standard și poate (pot) fi utilizată(e) pentru compararea unei unelte cu alta.

NOTĂ: Valoarea (valorile) totală(e) a (ale) emisiilor de zgomot declarate poate (pot) fi, de asemenea, utilizată(e) într-o evaluare preliminară a expunerii.

⚠️AVERTIZARE: Purtați echipament de protecție pentru urechi.

⚠️AVERTIZARE: Emisiile de zgomot în timpul utilizării efective a uneltei electrice poate diferi de valoarea (valorile) nivelului declarat, în funcție de modul în care unealta este utilizată, în special ce fel de piesă este prelucrată.

⚠️AVERTIZARE: Asigurați-vă că identificați măsurile de siguranță pentru a proteja operatorul, acestea fiind bazate pe o estimare a expunerii în condiții reale de utilizare (luând în considerare toate părțile ciclului de operare, precum timpii în care unealta a fost oprită, sau a funcționat în gol, pe lângă timpul de declanșare).

Vibrații

Valoarea totală a emisiilor de vibrații determinată conform ISO11148-13 (ISO8662-11):

Emisie de vibrații (a_{h1}): 3,7 m/s²

Marjă de eroare (K): 1,5 m/s²

NOTĂ: Valoarea (valorile) totală(e) a (ale) nivelului de vibrații declarat a (au) fost măsurată(e) în conformitate cu o metodă de test standard și poate (pot) fi utilizată(e) pentru compararea unei unelte cu alta.

NOTĂ: Valoarea (valorile) totală(e) a (ale) nivelului de vibrații declarat poate (pot) fi, de asemenea, utilizată(e) într-o evaluare preliminară a expunerii.

⚠️AVERTIZARE: Nivelul de vibrații în timpul utilizării efective a uneltei electrice poate diferi de valoarea (valorile) nivelului declarat, în funcție de modul în care unealta este utilizată, în special ce fel de piesă este prelucrată.

⚠️AVERTIZARE: Asigurați-vă că identificați măsurile de siguranță pentru a proteja operatorul, acestea fiind bazate pe o estimare a expunerii în condiții reale de utilizare (luând în considerare toate părțile ciclului de operare, precum timpii în care unealta a fost oprită, sau a funcționat în gol, pe lângă timpul de declanșare).

Declarație de conformitate CE

Numai pentru țările europene

Declarația de conformitate CE este inclusă ca Anexa A în acest manual de instrucțiuni.

AVERTIZĂRI DE SIGURANȚĂ

Avertismente privind siguranța pentru pistol de bătut cuie/capsator pneumatic

⚠️ AVERTIZARE: Citiți toate avertismentele de siguranță și toate instrucțiunile. Nerespectarea avertismentelor și instrucțiunilor poate cauza vătămări grave, electrocutare și/sau incendiu.

Păstrați toate avertismentele și instrucțiunile pentru consultări ulterioare.

Pentru siguranța personală și pentru funcționarea și întreținerea adecvată a mașinii, citiți aceste instrucțiuni de utilizare, înainte de folosirea acesteia.

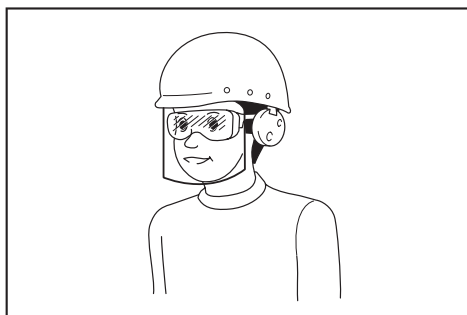
Siguranță generală

1. Orice altă utilizare, cu excepția utilizării conform destinației a acestei mașini, este interzisă. Mașinile pentru acționarea dispozitivelor de fixare cu contact continuu sau acționare prin contact se utilizează numai pentru aplicațiile de producție.
2. Țineți-vă degetele departe de butonul declanșator atunci când nu utilizați această mașină și atunci când vă deplasați dintr-o poziție de operare în alta.
3. Riscuri multiple. Citiți și înțelegeți instrucțiunile de siguranță înainte de a conecta, deconecta, încărca, utiliza, întreține, schimba accesoriile sau înainte de a lucra în apropierea mașinii. În caz contrar există pericol de vătămări corporale grave.
4. Țineți toate părțile corpului, cum ar fi mâinile și picioarele etc. departe de direcția de declanșare și asigurați-vă că dispozitivul de fixare nu poate pătrunde prin piesa de prelucrat în diverse părți ale corpului.
5. Atunci când utilizați mașina, fiți conștienți de faptul că dispozitivul de fixare ar putea devia și provoca o vătămare corporală.
6. Țineți ferm mașina și fiți pregătiți să gestionați reculul.
7. Numai operatorii calificați din punct de vedere tehnic trebuie să utilizeze mașina pentru acționarea dispozitivelor de fixare.
8. Nu modificați mașina pentru acționarea dispozitivelor de fixare. Modificările pot reduce eficacitatea măsurilor de siguranță și pot crește riscurile pentru operator și/sau persoanele aflate în zonă.

9. Nu aruncați manualul de instrucțiuni.
10. Nu utilizați o mașină dacă aceasta a fost deteriorată.
11. Procedați cu atenție când manipulați dispozitivele de fixare, în special la încărcare și descărcare, deoarece dispozitivele de fixare au puncte ascuțite care ar putea provoca o vătămare corporală.
12. Verificați întotdeauna mașina înainte de utilizare pentru a vedea dacă există piese defecte, încorect conectate sau uzate.
13. Nu vă întindeți excesiv. Utilizați numai într-un loc de muncă în condiții de siguranță. Mențineți-vă permanent echilibrul și sprijiniți-vă ferm pe picioare.
14. Țineți la distanță persoanele aflate în zonă (atunci când lucrați într-o zonă în care ar putea circula oameni). Marcați în mod clar zona de operare.
15. Nu îndreptați niciodată mașina spre dumneavoastră sau spre alte persoane.
16. Nu vă sprijiniți degetul pe trăgaci când ridicați mașina, când vă deplasați între zonele și pozițiile de operare sau în timpul mersului, deoarece degetul plasat pe trăgaci poate duce la acționarea accidentală a mașinii. Pentru mașini cu acționare selectivă, verificați întotdeauna mașina înainte de utilizare pentru a stabili dacă este selectat modul corect.
17. Purtați numai mănuși care să asigure sensibilitate tactilă adecvată și un control sigur al butoanelor declanșatoare și al oricărui dispozitiv de reglare.
18. În cazul în care rezemați mașina, așezați-o pe o suprafață orizontală. În cazul în care utilizați cârligul echipat cu mașina, prindeți mașina în siguranță pe suprafața stabilă.
19. Nu utilizați sub influența alcoolului, a drogurilor sau a altor produse asemănătoare.

Pericol de obiecte proiectate

1. Mașina pentru acționarea dispozitivelor de fixare trebuie să fie deconectată la descărcarea dispozitivelor de fixare, efectuarea ajustărilor, eliminarea blocajelor sau schimbarea accesoriilor.
2. În timpul funcționării, fiți atenți ca dispozitivele de fixare să pătrundă corect în material și să nu poată fi deviate/acționate neintenționat către operator și/sau persoanele aflate în zonă.
3. În timpul funcționării, ar putea fi evacuate reziduuri din piesa de prelucrat și sistemul de fixare/sortare.
4. Purtați întotdeauna ochelari de protecție pentru a vă proteja ochii contra rănirii atunci când utilizați unelte electrice. Ochelarii trebuie să fie în conformitate cu ANSI Z87.1 în S.U.A., EN 166 în Europa sau AS/NZS 1336 în Australia/Noua Zeelandă. În Australia/Noua Zeelandă se solicită în mod legal și purtarea unei măști obligatorii pentru a vă proteja fața.



Întră în responsabilitatea angajatorului să impună utilizarea unor echipamente de protecție și siguranță adecvate de către utilizatorii mașinii și de către celelalte persoane din imediata apropiere a zonei de lucru.

5. Riscurile pentru alte persoane vor fi evaluate de către operator.
6. Procedați cu atenție cu mașinile fără contact cu piesa de prelucrat, deoarece acestea pot fi declanșate în mod neintenționat și pot răni operatorul și/sau persoanele aflate în zonă.
7. Asigurați-vă că mașina este cuplată întotdeauna în condiții de siguranță pe piesa de prelucrat și că nu poate aluneca.
8. Purtați dispozitive de protecție pentru cap și dispozitive de protecție a auzului, pentru a vă proteja auzul împotriva zgomotului produs. De asemenea, purtați îmbrăcăminte ușoară, dar care să nu fie largă pe corp. Nasturii de la mâneci trebuie să fie închiși sau suflecați-vă mânecele. Nu trebuie să purtați cravată.

Riscuri de funcționare

1. Prindeți mașina în mod corect: fiți gata să contracarați mișcările normale sau bruște, cum ar fi reculul.
2. Mențineți o poziție echilibrată și stabilă a corpului.
3. Se recomandă utilizarea ochelarilor de protecție, mănușilor și îmbrăcăminte de protecție corespunzătoare.
4. Trebuie purtată protecție auditivă corespunzătoare.
5. Utilizați sursa de alimentare cu energie corectă, conform instrucțiunilor din manualul de instrucțiuni.
6. Nu utilizați mașina pe platforme mobile sau pe partea posterioară a camioanelor. Mișcarea bruscă a platformei poate duce la pierderea controlului asupra mașinii, provocând vătămări corporale.
7. Plecați întotdeauna de la presupunerea că mașina conține elemente de fixare.
8. Nu grăbiți operațiunea și nu forțați mașina. Manipulați mașina cu atenție.
9. Aveți grijă să vă mențineți un echilibru stabil atunci când folosiți mașina. Atunci când lucrați la înălțime, asigurați-vă că nu e aflat nicio persoană dedesubt și asigurați furtunul de aer pentru a preveni pericolul în cazul unei smucituri bruște sau a prinderii acestuia.

10. Pe acoperișuri și în alte locații înalte, aplicați elemente de fixare pe măsură ce vă deplasați înainte. Este ușor să vă pierdeți sprijinul dacă aplicați elemente de fixare în timp ce vă deplasați încet înapoi. Atunci când aplicați elemente de fixare pe o suprafață perpendiculară, lucrați de sus în jos. Procedând în acest mod, operațiunile de aplicare pot fi efectuate cu efort redus.
11. Un element de fixare se va îndoi sau mașina se poate bloca dacă din greșeală aplicați elementul de fixare deasupra unui alt element de fixare sau dacă loviți un nod din lemn. Elementul de fixare poate fi aruncat și poate lovi pe cineva sau chiar mașina poate reacționa periculos. Amplasați cu atenție elementele de fixare.
12. Nu lăsați mașina încărcată sau compresorul de aer sub presiune în soare pentru o perioadă lungă de timp. Asigurați-vă că praful, nisipul, așchiile și materialele străine nu vor pătrunde în mașină în locul unde ați lăsat-o.
13. Nu încercați niciodată să aplicați elemente de fixare simultan din partea interioară și exterioară. Elementele de fixare pot traversa materialul și/sau pot fi proiectate în jur, reprezentând un pericol grav.

Pericole din cauza mișcărilor repetitive

1. Atunci când utilizați un instrument pentru perioade lungi de timp, operatorul poate experimenta disconfort la nivelul mâinilor, brațelor, umerilor, gâtului sau altor părți ale corpului.
2. În timp ce utilizați o mașină, operatorul trebuie să adopte o poziție adecvată, dar ergonomică. Mențineți o poziție stabilă și evitați pozițiile incomode sau dezechilibrate.
3. În cazul în care operatorul experimentează simptome precum disconfort recurent sau persistent, dureri, dureri pulsatile, tuiet în urechi, amorteală, senzații de arsură sau de înțepeneală, nu ignorați aceste semne de avertizare. Operatorul trebuie să consulte o persoană calificată în domeniul medical în ceea ce privește activitățile generale.
4. Folosirea continuă a mașinii poate cauza accidentarea repetată din cauza efortului produs de reculul mașinii.
5. Pentru a evita vătămările cauzate de încordarea repetitivă, operatorul nu trebuie să se întindă excesiv sau să aplice forță în exces. În plus, operatorul trebuie să se odihnească atunci când simte că este obosit.
6. Efectuați o evaluare a riscurilor în ceea ce privește pericolele legate de mișcările repetitive. Aceasta trebuie să pună accent pe afecțiunile musculo-scheletale și, preferabil, să se bazeze pe presupunerea conform căreia reducerea oboselei în timpul lucrului este eficientă în reducerea afecțiunilor.

Pericole referitoare la accesorii și consumabile

1. Decuplați alimentarea cu energie a mașinii, cum ar fi o baterie cu aer sau gaz, după caz, înainte de schimbarea/inlocuirea accesoriilor, cum ar fi contactul piesei de prelucrat sau de efectuarea oricăror ajustări.

2. Utilizați numai dimensiunile și tipurile de accesorii furnizate de producător.
3. Utilizați lubrifianți doar în modul recomandat în acest manual.

Pericole la locul de muncă

1. Alunecarea, împiedicarea și căderea sunt principalele cauze ale vătămărilor corporale de la locul de muncă. Feriți-vă de suprafețele alunecoase cauzate de utilizarea mașinii, precum și de pericolele de împiedicare cauzate de furtunul de aer.
2. Acționați cu mai multă atenție în împrejurimi necunoscute. Pot exista pericole ascunse, cum ar fi electricitatea sau alte linii de utilități.
3. Această mașină nu este destinată utilizării în atmosfere potențial explozive și nu este izolată față de intrarea în contact cu energia electrică.
4. Asigurați-vă că nu există cabluri electrice, conducte de gaz etc., care ar putea provoca un pericol în caz de defectare prin utilizarea mașinii.
5. Păstrați zona de lucru curată și bine iluminată. Zonele de lucru dezordonate sau întunecate favorizează accidentele.
6. Pot exista reglementări locale privind zgomotul care trebuie respectate, menținând nivelurile de zgomot în cadrul limitelor prescrise. În anumite cazuri, trebuie să fie folosite dispozitive speciale de reducere a zgomotului.

Pericol de praf și gaze de evacuare

1. Verificați întotdeauna împrejurimile. Aerul evacuat din mașină poate sufla praf sau obiecte și lovi operatorul și/sau persoanele aflate în zonă.
2. Direcționați orificiul de evacuare astfel încât să minimizezi ridicarea prafului în mediile cu mult praf.
3. Dacă în zona de lucru se generează praf sau diverse obiecte, reduceți generarea acestora cât mai mult posibil, pentru a reduce pericolele pentru sănătate și riscul de vătămare corporală.

Pericol de zgomot

1. Expunerea neprotejată la niveluri ridicate de zgomot poate provoca pierderea permanentă, slăbirea, pierderea auzului, precum și alte probleme, cum ar fi acufena (zgomote, zumzet, șuierături sau văjăituri în urechi).
2. Efectuați o evaluare a riscurilor privind pericolele de zgomot în zona de lucru și implementați controale corespunzătoare pentru aceste pericole.
3. Controalele adecvate pentru reducerea riscului pot include acțiuni cum ar fi materialele de amortizare pentru a preveni „vibrațiile” pieselor de prelucrat.
4. Folosiți protecție adecvată a auzului.
5. Operați și întrețineți mașina conform recomandărilor din aceste instrucțiuni, pentru a preveni o creștere inutilă a nivelului de zgomot.
6. Luați măsuri de reducere a zgomotului, de exemplu, amplasarea pieselor de prelucrat pe suporturi de atenuare a zgomotului.

Pericol de vibrații

1. Emisia de vibrații în timpul funcționării depinde de forța de prindere, forța presiunii de contact, direcția de lucru, ajustarea alimentării cu energie, piesa de prelucrat, suportul piesei de prelucrat. Efectuați o evaluare a riscurilor privind pericolele legate de vibrații și implementați controale corespunzătoare pentru aceste pericole.
2. Expunerea la vibrații poate cauza vătămări grave la nivelul nervilor și alimentării cu sânge a mâinilor și brațelor.
3. Purtați haine călduroase atunci când lucrați în condiții de frig, păstrați mâinile calde și uscate.
4. Dacă simțiți amorțeli, furnicături, durere sau observați albirea pielii la nivelul degetelor sau mâinilor, solicitați sfatul unei persoane calificate în domeniul medical în ceea ce privește activitățile generale.
5. Operați și întrețineți mașina conform recomandărilor din aceste instrucțiuni, pentru a preveni o creștere inutilă a nivelului de vibrații.
6. Apucați mașina ușor, dar sigur, deoarece riscul de vibrații este în general mai mare atunci când forța de aderență este mai mare.

Avertizări suplimentare pentru mașinile pneumatice

1. Aerul comprimat poate provoca accidente grave.
2. Oprii întotdeauna alimentarea cu aer și deconectați mașina de la alimentarea cu aer, atunci când nu este utilizată.
3. Deconectați întotdeauna mașina de la sursa de aer comprimat înainte de schimbarea accesoriilor, efectuarea ajustărilor și/sau reparațiilor atunci când vă deplasați dintr-o zonă de operare în alta.
4. Țineți-vă degetele departe de butonul declanșator atunci când nu utilizați mașina și atunci când vă deplasați dintr-o poziție de operare în alta.
5. Nu îndreptați niciodată aerul comprimat direct către dumneavoastră sau oricine altcineva.
6. Furtunurile care se răsucesc pot provoca accidente grave. Verificați întotdeauna dacă furtunurile și accesoriile nu sunt deteriorate sau slăbite.
7. Nu transportați niciodată o mașină pneumatică trăgând de furtunul acesteia.
8. Nu trageți niciodată o mașină pneumatică trăgând de furtunul acesteia.
9. Atunci când utilizați mașini pneumatice, nu depășiți valoarea maximă a presiunii de funcționare.
10. Mașinile pneumatice trebuie alimentate numai cu aer comprimat, la cea mai mică presiune necesară pentru procesul de lucru pentru a reduce zgomotul și vibrațiile și pentru a minimiza uzura.
11. Utilizarea oxigenului sau a gazelor combustibile pentru operarea mașinilor pneumatice creează un pericol de incendiu și de explozie.

12. **Procedați cu atenție atunci când utilizați mașini pneumatice deoarece acestea ar putea deveni reci, lucru ce afectează aderența și controlul.**

Dispozitive de siguranță

1. **Asigurați-vă că toate sistemele de siguranță sunt funcționale înainte de utilizare.** Mașina nu trebuie să fie utilizată dacă este acționat numai butonul declanșator sau dacă numai brațul de contact este presat pe lemn. Aceasta trebuie să funcționeze numai când se execută ambele acțiuni. Testați cu privire la posibila funcționare defectuoasă, fără elemente de fixare și cu dispozitivul de împingere în poziție complet retrasă.
2. **Asigurarea întrerupătorului pe poziția ON (Conectat) este foarte periculoasă.** Nu încercați să blocați butonul declanșator.
3. **Nu încercați să țineți apăsat cu bandă sau cu sârmă elementul de contact sau alte dispozitive de siguranță.** Se poate produce rănirea gravă sau decesul.

Service

1. **Efectuați curățarea și întreținerea imediat după ce ați terminat lucrul.** Păstrați mașina în stare excelentă. Lubrifiați componentele mobile pentru a preveni ruginirea și pentru a minimiza uzura prin frecare. Curățați praful de pe toate componentele.
2. **În ceea ce privește inspecția periodică a mașinii, adresați-vă centrului de service autorizat de Makita.**
3. **Pentru a menține SIGURANȚA și FIABILITATEA produsului, întreținerea și reparațiile trebuie executate de centre de service Makita autorizate, folosind întotdeauna piese de schimb Makita.**
4. **Respectați reglementările locale atunci când aruncați mașina.**

PĂSTRAȚI ACESTE INSTRUCȚIUNI.

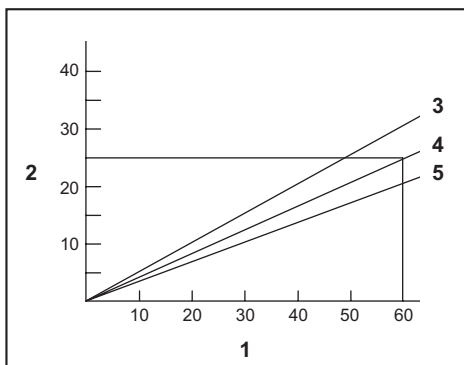
⚠️ AVERTIZARE: NU permiteți comodității și familiarizării cu produsul (obținute prin utilizare repetată) să înlocuiască respectarea strictă a normelor de securitate pentru acest produs. FOLOSIREA INCORECTĂ sau nerespectarea normelor de securitate din acest manual de instrucțiuni poate provoca vătămări corporale grave.

DESCRIERE COMPONENTE

- Fig.1: 1. Pârghie de blocare 2. Buton declanșator
3. Cârlig 4. Adaptor de camă 5. Ușă culisantă

INSTALARE

Alegerea compresorului



1. Frecvență de batere de cuie (ori/min) 2. Debitul de aer la ieșirea din compresor per minut (L/min) 3. 0,69 MPa (6,9 bar) 4. 0,57 MPa (5,7 bar) 5. 0,45 MPa (4,5 bar)

Compresorul de aer trebuie să fie conform cerințelor EN60335-2-34.

Selectați un compresor cu o presiune și o evacuare a aerului ample pentru a asigura o operație rentabilă. Graficul reprezintă relația dintre frecvența de batere a cuielor, presiunea aplicabilă și debitul de aer al compresorului.

În acest mod, de exemplu, dacă baterea cuielor are loc la o cadență de circa 60 de ori pe minut la o compresie de 0,57 MPa (5,7 bari), este necesar un compresor cu un debit de aer de peste 25 litri/minut.

Trebuie utilizate regulatoarele de presiune pentru a limita presiunea aerului la presiunea nominală a mașinii, acolo unde presiunea alimentării cu aer depășește presiunea nominală a mașinii. În caz contrar se poate produce rănirea serioasă a operatorului mașinii sau a persoanelor din apropiere.

Alegerea furtunului de aer

⚠️ ATENȚIE: Debitul mic de aer al compresorului sau un furtun lung sau cu un diametru mai mic în raport cu frecvența baterii cuielor poate provoca o scădere a capacității de funcționare a mașinii.

► Fig.2

Folosiți un furtun de aer comprimat cât mai gros și mai scurt posibil pentru a asigura o operațiune eficientă de împușcat cuie.

La o presiune a aerului de 0,49 MPa (4,9 bar), se recomandă folosirea unui furtun de aer cu un diametru intern de peste 6,5 mm și o lungime mai mică de 20 m când intervalul dintre baterile cuielor este de 0,5 secunde.

Furtunurile de alimentare cu aer trebuie să aibă o presiune minimă de lucru de 1,03 MPa (10,3 bar) sau 150 % din presiunea maximă produsă în sistem, luându-se în considerare valoarea cea mai mare.

Lubrifierea

► Fig.3

Pentru a asigura o performanță maximă, instalați setul de dispozitive pentru aer comprimat (ungătorul, regulatorul, filtrul de aer) cât mai aproape de mașină. Reglați ungătorul astfel încât să fie furnizată o picătură de ulei la fiecare 50 de cuie.

Când nu se folosește un set de dispozitive pentru aer comprimat, ungeți mașina cu ulei pneumatic, punând 2 (două) sau 3 (trei) picături în ștuțul de aer. Acest lucru trebuie efectuat înainte și după utilizare.

Pentru o lubrifiere corectă, mașina trebuie declanșată de câteva ori după introducerea uleiului pneumatic.

► Fig.4: 1. Ulei pentru unelte pneumatice

DESCRIEREA FUNCȚIILOR

ATENȚIE: Înainte de a ajusta sau verifica funcția pe mașină, readuceți întotdeauna butonul declanșator și pârghia de blocare în poziție și deconectați furtunul de aer.

Buton declanșator și pârghie de blocare

AVERTIZARE: Asigurați-vă că nu țineți degetele pe butonul declanșator și pârghia de blocare atunci când conectați furtunul. În caz contrar, mașina poate fi acționată neintenționat și poate provoca vătămări corporale grave.

Mașina este echipată cu o pârghie de blocare pentru a preveni tragerea accidentală a butonului declanșator. Pentru a acționa cuiele, mai întâi trageți pârghia de blocare, după care trageți butonul declanșator.

► Fig.5: 1. Pârghie de blocare

► Fig.6: 1. Buton declanșator

Verificarea sistemului de siguranță

AVERTIZARE: Asigurați-vă că toate sistemele de siguranță sunt funcționale înainte de utilizare. În caz contrar, există pericol de vătămări corporale.

ATENȚIE: Asigurați-vă că mașina nu este încărcată cu cuie.

► Fig.7: 1. Buton declanșator 2. Pârghie de blocare

Înainte de a bate cuiele, verificați sistemul de siguranță, după cum urmează:

1. Trageți ușa culisantă a magaziei spre dvs. pentru a elibera mecanismul împotriva declanșării în gol.
2. Descărcați mașina.
3. Asigurați-vă că nu puteți trage butonul declanșator atunci când pârghia de blocare nu este trasă.
4. Asigurați-vă că puteți trage butonul declanșator după ce trageți pârghia de blocare.

În cazul în care mașina nu trece de verificarea de mai sus, nu o mai utilizați și solicitați centrului de service autorizat să o repare.

Cârlig

ATENȚIE: Înainte de a utiliza cârligul, asigurați-vă că nu aveți degetele pe butonul declanșator sau pe pârghia de blocare și că deconectați furtunul din mașină.

ATENȚIE: Nu agățați niciodată mașina în locații înalte sau pe suprafețe potențial instabile.

ATENȚIE: Nu agățați cârligul de centura de la brâu. În cazul în care pistolul de bătut cuie cade accidental, poate duce la acționare neintenționată și la vătămări corporale.

► Fig.8: 1. Cârlig

Cârligul este util pentru suspendarea temporară a uneltei.

Depozitarea cheii imbus

Când nu o utilizați, depozitați cheia imbus, conform ilustrației, pentru a preveni pierderea acesteia.

► Fig.9: 1. Cheie imbus

Suflantă

ATENȚIE: Nu îndreptați orificiul de evacuare al suflantei înspre nicio persoană. De asemenea, nu vă apropiați mâinile și picioarele de zona orificiului de evacuare. Dacă butonul suflantei este apăsat accidental, aceasta poate cauza vătămări corporale.

ATENȚIE: Verificați întotdeauna zona din jurul dvs. înainte de a utiliza suflanta. Praful sau obiectele suflate ar putea lovi pe cineva.

ATENȚIE: Nu conectați și nu deconectați furtunul de aer în timp ce apăsați butonul suflantei.

Aerul cu care este alimentată mașina poate fi, de asemenea, utilizat pe post de suflantă. Puteți curăța zona de lucru prin apăsarea butonului de la capătul mânerului.

► Fig.10: 1. Buton

NOTĂ: După utilizarea suflantei, forța de înșurubare a mașinii va scădea temporar. În acest caz, așteptați până când presiunea aerului revine la normal.

NOTĂ: Dacă utilizați suflanta imediat după aplicarea uleiului, testați-o prin eliberarea unui jet de aer. Uleiul poate fi pulverizat odată cu aerul.

ASAMBLARE

ATENȚIE: Înainte de a efectua orice lucrare pe mașină, readuceți întotdeauna butonul declanșator și pârghia de blocare în poziție și deconectați furtunul.

Încărcarea capsatorului pentru cuie

⚠️ ATENȚIE: Țineți ușa culisantă când apăsați butonul de deblocare. În cazul în care cuiele sunt încărcate în magazie, ușa culisantă se mișcă brusc atunci când se apasă butonul de deblocare.

⚠️ ATENȚIE: Deplasați întotdeauna ușa culisantă încet și cu atenție. Căderea accidentală a cuielor, în special atunci când lucrați la înălțime, poate cauza vătămări personale.

⚠️ ATENȚIE: Când încărcați cuie în magazie, alegeți cuie de același tip, mărime și de lungime uniformă.

NOTĂ: Încărcați cuiele în direcția corectă. Încărcarea în direcția greșită poate cauza uzura prematură a ghidajului și deteriorarea altor componente.

NOTĂ: Nu utilizați cuie conectate deformate. Utilizați doar cuiele specificate în acest manual. Utilizarea unor cuie, altele decât cele specificate, poate cauza blocarea cuiului și defectarea capsatorului pentru cuie.

1. Ținând ușa culisantă, apăsați butonul de deblocare și a mișcați ușa culisantă pentru a o deschide.
▶ Fig.11: 1. Buton de deblocare 2. Ușă culisantă
2. Poziționați cuiele lângă magazie și introduceți-le în fantă până la capăt. Fiți atenți să poziționați cuiele în direcția corectă.
3. Păstrând cuiele în această poziție, glisați-le până la capăt în ghidajul dispozitivului de acționare.
▶ Fig.12: 1. Cuie 2. Ghidaj al dispozitivului de acționare
4. Readuceți magazia în poziția inițială, până când butonul de deblocare iese în afară.

Dimensiunile cuielor

Unul dintre următoarele dispozitive de fixare poate fi utilizat împreună cu mașina.

Cuie calibru 23

▶ Fig.13

Maxim

▶ Fig.14: (1) 35 mm

Minim

▶ Fig.15: (1) 15 mm (2) 0,6 mm

Descărcarea capsatorului pentru cuie

Pentru a scoate cuiele, executați în ordine inversă procedura „Încărcarea capsatorului pentru cuie”.

Adaptor de camă

Atunci când introduceți cuie în suprafețe delicate, folosiți adaptorul de camă.

Pentru a instala adaptorul de camă, poziționați-l pe capul ghidajului dispozitivului de acționare astfel încât proeminența din interiorul adaptorului de camă să se fixeze în capacul ghidajului dispozitivului de acționare.

▶ Fig.16

Un adaptor de camă de rezervă este depozitat în suportul de la capătul ușii culisante.

▶ Fig.17

Conectarea furtunului de aer

⚠️ ATENȚIE: Nu puneți degetul pe butonul declanșator atunci când conectați furtunul de aer.

▶ Fig.18: 1. Fiting de admisie aer 2. Manșon de aer
Glisați manșonul furtunului de aer pe fittingul de admisie a aerului de pe unealtă. Asigurați-vă că manșonul de aer se fixează ferm în poziție atunci când este instalat pe fittingul de admisie a aerului.
Trebuie instalat un cuplaj al furtunului pe sau în apropierea unelei astfel încât presiunea rezervorului să fie descărcată în momentul deconectării cuplajului alimentării cu aer.

OPERAREA

⚠️ ATENȚIE: Asigurați-vă că toate sistemele de siguranță sunt funcționale înainte de utilizare.

Verificarea acționării corecte înainte de utilizare

Înainte de utilizare, verificați întotdeauna următoarele puncte.

- Asigurați-vă că mașina nu funcționează doar prin conectarea furtunului de aer.
- Asigurați-vă că mașina nu funcționează doar prin tragerea declanșatorului.

Introducerea cuielor

⚠️ AVERTIZARE: Asigurați-vă că pentru conectați cama pe material înainte de a trage butonul declanșator. Acționarea neintenționată poate cauza răniiri grave.

⚠️ ATENȚIE: Atunci când nu se utilizează, setați întotdeauna pârghia de blocare în poziția de blocare a butonului declanșator.

▶ Fig.19

1. Așezați cama orizontal pe material și țineți mașina ferm pe material.
2. Trageți pârghia de blocare și trageți complet butonul declanșator pentru a acționa cuiul.
3. După acționarea unui cui, asigurați-vă că eliberati complet butonul declanșator și pârghia de blocare.

În cazul în care capul cuiului introdus rămâne deasupra suprafeței materialului, țineți capul capsatorului pentru cuie ferm atunci când acționați cuiul.

▶ Fig.20

NOTĂ: Când butonul declanșator este tras după o acțiune rapidă de declanșare, este posibil ca mașina de capsat să nu facă nimic și să nu descarce cuiele. În acest caz, eliberați complet butonul declanșator și pârghia de blocare înainte de a acționa din nou cuiele.

NOTĂ: Nu utilizați cuie deformate sau o bandă de cuie deformată. În caz contrar, alimentarea cu cuie poate fi defecțară.

Mecanism împotriva declanșării în gol

Mașina este echipată cu un mecanism împotriva declanșării în gol. Atunci când există câteva cuie rămase în magazie, butonul declanșator va fi blocat în poziția neacționată, pentru a împiedica activarea mașinii. Când este activată, încărcați mai multe cuie pentru a relua operarea.

Indicator de magazie goală

În cazul în care numărul rămas de cuie în magazie devine insuficient, indicatorul de magazie goală devine roșu. Reîncărcați cuiele atunci când indicatorul de magazie goală devine roșu.

► **Fig.21:** 1. Indicator de magazie goală

Îndepărtarea cuielor blocate

⚠️ AVERTIZARE: Readuceți întotdeauna butonul declanșator și pârghia de blocare în poziție și deconectați furtunul de aer comprimat, înainte de a scoate cuiele blocate.

Atunci când un cui este blocat, scoateți cuiul după cum urmează. Asigurați-vă că ați deconectat furtunul înainte de a scoate cuiele blocate.

► **Fig.22:** 1. Bolț (A) 2. Bolț (B) 3. Capac al ghidajului dispozitivului de acționare

1. Îndepărtați cuiele care rămân în interiorul magaziei.
2. Scoateți adaptorul de camă.
3. Desfaceți bolțul (A) și bolțul (B) prin răscuirea acestora aproximativ două ture cu ajutorul cheii hexagonale livrate împreună cu capsatorul pentru cuie.
4. Îndepărtați capacul ghidajului dispozitivului de acționare prin glisarea acestuia.
5. Îndepărtați cuiele blocate, reziduurile, substanțele adezive și așchile etc. din orificiul de trecere pentru cuie.
6. Verificați capacul ghidajului dispozitivului de acționare să nu prezinte cuie blocate sau alte materiale străine.
7. Readuceți capacul ghidajului dispozitivului de acționare în poziție, fixați-l cu aceste două bolțuri, și readuceți adaptorul de camă în poziție.

ÎNTREȚINERE

⚠️ ATENȚIE: Readuceți întotdeauna butonul declanșator și pârghia de blocare în poziție și deconectați furtunul înainte de a efectua verificări sau întreținerea mașinii.

NOTĂ: Nu utilizați niciodată gazolină, benzină, diluant, alcool sau alte substanțe asemănătoare. În caz contrar, pot rezulta decolorări, deformări sau fisuri.

Întreținerea capsatorului pentru cuie

Înainte de utilizare, verificați întotdeauna starea generală a mașinii și dacă nu are șuruburi slăbite. Strângeți-le cum trebuie.

Cu mașina deconectată, efectuați zilnic verificări pentru a vă asigura de mișcarea liberă a pârghiei de blocare și a butonului declanșator. Nu folosiți mașina dacă butonul declanșator sau pârghia de blocare se înțepenesc sau merg greu.

Când mașina nu este utilizată, pentru o perioadă mai mare de timp, lubrifiați-o folosind ulei pneumatic și depozitați-o în siguranță. Evitați expunerea ei la acțiunea directă a luminii soarelui și/sau într-un mediu umed sau cald.

► **Fig.23**

Întreținerea compresorului, setului de dispozitive pentru aer comprimat și a furtunului de aer

După utilizare, scurgeți întotdeauna rezervorul compresorului și filtrul de aer. Dacă umezeala pătrunde în mașină, pot rezulta o performanță slabă și o posibilă defectare a mașinii.

► **Fig.24:** 1. Robinet de drenaj

► **Fig.25:** 1. Filtru de aer

Verificați regulat să vedeți dacă există suficient ulei pneumatic în ungătorul din setul de dispozitive. Dacă nu se menține o lubrifiere suficientă, garniturile inelare se vor uza rapid.

► **Fig.26:** 1. Ungător 2. Ulei pentru unelte pneumatice

Țineți furtunul de aer departe de căldură (peste 60°C, peste 140°F), departe de substanțe chimice (solvenți, acizi puternici sau substanțe alcaline). De asemenea, poziționați furtunul departe de obstacole de care se poate agăța periculos în timpul utilizării. Furtunurile trebuie, de asemenea, situate departe de marginile ascuțite și de zonele care pot duce la deteriorarea sau roaderea furtunului.

Cuie

Manipulați cu grijă benzile de cuie și cutia acestora. Dacă sunt manipulate dur, benzile de cuie se pot deforma, iar alimentarea acestora poate deveni anevoioasă.

Evitați depozitarea cuielor într-un spațiu cu umiditate ridicată, la temperaturi mari, sau în bătaia directă a razelor solare.

Pentru a menține SIGURANȚA și FIABILITATEA produsului, reparațiile și orice alte lucrări de întreținere sau reglare trebuie executate de centre de service Makita autorizate sau proprii, folosind întotdeauna piese de schimb Makita.

ACCESORII OPȚIONALE

⚠️ ATENȚIE: Folosiți accesoriile sau piesele auxiliare recomandate pentru mașina dumneavoastră Makita în acest manual. Utilizarea oricăror alte accesorii sau piese auxiliare poate prezenta risc de vătămare corporală. Utilizați accesoriile și piesele auxiliare numai în scopul destinat.

Dacă aveți nevoie de asistență sau de mai multe detalii referitoare la aceste accesorii, adresați-vă centrului local de service Makita.

- Cuie
- Furtun de aer
- Ochelari de protecție

NOTĂ: Unele articole din listă pot fi incluse ca accesorii standard în ambalajul de scule. Acestea pot diferi în funcție de țară.

TECHNISCHE DATEN

Modell:	AF353
Luftdruck	0,45 - 0,69 MPa (4,5 - 6,9 bar)
Nagellänge	15, 18, 19, 25, 30, 35 mm
Nagelkapazität	130 Stück
Minimaler Schlauchdurchmesser	6,5 mm
Druckluftwerkzeugöl	ISO VG32 oder gleichwertiges Öl
Abmessungen (L × B × H)	208 mm x 66 mm x 191 mm
Nettogewicht	0,9 kg

- Wir behalten uns vor, Änderungen der technischen Daten im Zuge der Entwicklung und des technischen Fortschritts ohne vorherige Ankündigung vorzunehmen.
- Die technischen Daten können von Land zu Land unterschiedlich sein.

Symbole

Nachfolgend werden die für das Gerät verwendeten Symbole beschrieben. Machen Sie sich vor der Benutzung mit ihrer Bedeutung vertraut.



Betriebsanleitung lesen.



Schutzbrille tragen.



Einen Gehörschutz tragen.



Werkzeug nicht auf Gerüsten oder Leitern verwenden.

Vorgesehene Verwendung

Das Werkzeug ist für Befestigung an Inneneinrichtung und Möbeln vorgesehen.

Das Werkzeug ist nur für professionelle Massenanwendung vorgesehen. Benutzen Sie es nicht für andere Zwecke. Es ist nicht dazu ausgelegt, Befestigungselemente auf einer harten Oberfläche, wie z. B. Stahl und Beton, einzutreiben.

Geräusch

Typischer A-bewerteter Geräuschpegel ermittelt gemäß ISO11148-13 (EN12549):
 Schalldruckpegel (L_{pA}): 92 dB (A)
 Schallleistungspegel (L_{WA}): 101 dB (A)
 Messunsicherheit (K): 3 dB (A)

HINWEIS: Der (Die) angegebene(n) Schallemissionswert(e) wurde(n) im Einklang mit der Standardprüfmethode gemessen und kann (können) für den Vergleich zwischen Werkzeugen herangezogen werden.

HINWEIS: Der (Die) angegebene(n) Schallemissionswert(e) kann (können) auch für eine Vorbewertung des Gefährdungsgrads verwendet werden.

⚠️ WARNUNG: Einen Gehörschutz tragen.

⚠️ WARNUNG: Die Schallemission während der tatsächlichen Benutzung des Elektrowerkzeugs kann je nach der Benutzungsweise des Werkzeugs, und speziell je nach der Art des bearbeiteten Werkstücks, von dem (den) angegebenen Wert(en) abweichen.

⚠️ WARNUNG: Identifizieren Sie Sicherheitsmaßnahmen zum Schutz des Benutzers anhand einer Schätzung des Gefährdungsgrads unter den tatsächlichen Benutzungsbedingungen (unter Berücksichtigung aller Phasen des Arbeitszyklus, wie z. B. Ausschalt- und Leerlaufzeiten des Werkzeugs zusätzlich zur Betriebszeit).

Schwingungen

Der Schwingungsgesamtwert wurde gemäß ISO11148-13 (ISO8662-11) ermittelt:

Schwingungsemission (a_h): 3,7 m/s²

Messunsicherheit (K): 1,5 m/s²

HINWEIS: Der (Die) angegebene(n) Vibrationsgesamtwert(e) wurde(n) im Einklang mit der Standardprüfmethode gemessen und kann (können) für den Vergleich zwischen Werkzeugen herangezogen werden.

HINWEIS: Der (Die) angegebene(n) Vibrationsgesamtwert(e) kann (können) auch für eine Vorbewertung des Gefährdungsgrads verwendet werden.

⚠️ WARNUNG: Die Vibrationsemission während der tatsächlichen Benutzung des Elektrowerkzeugs kann je nach der Benutzungsweise des Werkzeugs, und speziell je nach der Art des bearbeiteten Werkstücks, von dem (den) angegebenen Emissionswert(en) abweichen.

⚠️ WARNUNG: Identifizieren Sie Sicherheitsmaßnahmen zum Schutz des Benutzers anhand einer Schätzung des Gefährdungsgrads unter den tatsächlichen Benutzungsbedingungen (unter Berücksichtigung aller Phasen des Arbeitszyklus, wie z. B. Ausschalt- und Leerlaufzeiten des Werkzeugs zusätzlich zur Betriebszeit).

EG-Konformitätserklärung

Nur für europäische Länder

Die EG-Konformitätserklärung ist als Anhang A in dieser Bedienungsanleitung enthalten.

SICHERHEITSWARNUNGEN

Sicherheitswarnungen für Druckluftnagler/-tacker

⚠️ WARNUNG: Lesen Sie alle Sicherheitshinweise und Anweisungen durch. Die Nichtbeachtung der Warnungen und Anweisungen kann zu schweren Verletzungen, Stromschlag und/oder Feuer führen.

Bewahren Sie alle Warnungen und Anweisungen für spätere Bezugnahme auf.

Lesen Sie vor dem Gebrauch des Werkzeugs diese Bedienungsanleitung, um die Personensicherheit und die richtige Bedienung und Wartung des Werkzeugs sicherzustellen.

Allgemeine Sicherheitshinweise

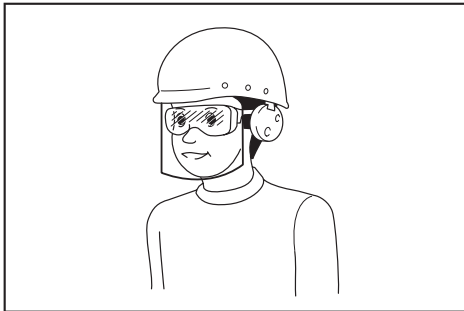
1. Jeder andere Gebrauch außer dem beabsichtigten Gebrauch dieses Werkzeugs ist verboten. Eintreibgeräte mit ständiger Kontaktauslösung oder Kontaktauslösung dürfen nur für Produktionsanwendungen verwendet werden.
2. Halten Sie die Finger vom Auslöser fern, wenn Sie dieses Werkzeug nicht benutzen, und wenn Sie von einer Arbeitsposition zu einer anderen wechseln.
3. Mehrfache Gefahren. Lesen und verstehen Sie die Sicherheitsanweisungen, bevor Sie Zubehör am Werkzeug anschließen, abtrennen, laden, betreiben, das Werkzeug warten, oder Zubehör am Werkzeug wechseln. Anderenfalls kann es zu schweren Körperverletzungen kommen.

4. Halten Sie alle Körperteile, wie Hände und Beine usw., aus der Schussrichtung fern, und stellen Sie sicher, dass das Befestigungselement nicht durch das Werkstück hindurch in Teile des Körpers eindringen kann.
5. Beachten Sie bei Benutzung des Werkzeugs, dass das Befestigungselement abgelenkt werden und Verletzungen verursachen kann.
6. Halten Sie das Werkzeug mit festem Griff, und richten Sie sich darauf ein, Rückstoß abzufangen.
7. Nur technisch versierte Bediener sollten das Eintreibgerät benutzen.
8. Unterlassen Sie jegliche Abänderung des Eintreibgeräts. Abänderungen können die Effektivität der Sicherheitsmaßnahmen verringern und die Gefahren für den Bediener und/oder Umstehende erhöhen.
9. Werfen Sie die Betriebsanleitung nicht weg.
10. Benutzen Sie ein Werkzeug nicht, wenn es beschädigt worden ist.
11. Lassen Sie bei der Handhabung von Befestigungselementen, besonders beim Beladen und Entladen, Vorsicht walten, da die Befestigungselemente scharfe Spitzen aufweisen, die Verletzungen verursachen können.
12. Überprüfen Sie das Werkzeug vor Gebrauch immer auf beschädigte, falsch angeschlossene oder verschlissene Teile.
13. Strecken Sie sich bei der Arbeit nicht zu weit vor. Benutzen Sie das Werkzeug nur an einem sicheren Arbeitsplatz. Achten Sie stets auf sicheren Stand und gute Balance.
14. Halten Sie Umstehende fern (wenn Sie in einem Bereich arbeiten, wo die Wahrscheinlichkeit von Passanten-Durchgangsverkehr hoch ist). Grenzen Sie Ihren Arbeitsbereich klar ab.
15. Richten Sie das Werkzeug niemals auf sich selbst oder andere Personen.
16. Legen Sie Ihren Finger nicht auf den Auslöser, wenn Sie das Werkzeug aufheben, sich zwischen Arbeitsbereichen und -positionen bewegen oder gehen, weil das zu einer unbeabsichtigten Betätigung führen kann. Werkzeuge mit selektiver Betätigung sind vor Gebrauch stets zu überprüfen, um sicherzustellen, dass der korrekte Modus gewählt ist.
17. Tragen Sie nur Handschuhe, die ein angemessenes Gefühl und sichere Kontrolle von Auslösern und Einstellvorrichtungen gewähren.
18. Legen Sie das Werkzeug im Ruhezustand auf einer ebenen Fläche ab. Wenn Sie den am Werkzeug angebrachten Aufhänger verwenden, hängen Sie das Werkzeug sicher an einer stabilen Oberfläche auf.
19. Unter dem Einfluss von Alkohol, Drogen oder dergleichen nicht in Betrieb nehmen.

Gefahren von Geschossen

1. Das Eintreibgerät ist grundsätzlich von der Druckluftquelle zu trennen, wenn Befestigungselemente entladen, Einstellungen vorgenommen, Nagelstaus beseitigt oder Zubehöerteile gewechselt werden.

2. Achten Sie während der Arbeit darauf, dass die Befestigungselemente das Material korrekt durchdringen und nicht fälschlicherweise auf den Bediener und/oder Umstehende abgeleckt/abgeschossen werden können.
3. Während der Arbeit können Bruchstücke vom Werkstück und Befestigungs-/Sammelsystem abgegeben werden.
4. Tragen Sie stets eine Schutzbrille, um Ihre Augen bei Verwendung von Elektrowerkzeugen vor Verletzung zu schützen. Die Brille muss den Vorschriften ANSI Z87.1 in den USA, EN 166 in Europa oder AS/NZS 1336 in Australien/Neuseeland entsprechen. In Australien/Neuseeland ist das Tragen eines Gesichtsschutzes gesetzlich vorgeschrieben, um auch Ihr Gesicht zu schützen.



Der Arbeitgeber ist dafür verantwortlich, den Gebrauch von angemessener Schutzausrüstung für die Werkzeugbenutzer und andere Personen im unmittelbaren Arbeitsbereich durchzusetzen.

5. Die Gefahren für andere Personen sind vom Bediener zu beurteilen.
6. Lassen Sie bei Werkzeugen ohne Werkstückkontakt Vorsicht walten, weil sie unbeabsichtigt ausgelöst werden können und den Bediener und/oder Umstehende verletzen können.
7. Vergewissern Sie sich stets, dass das Werkzeug sicher auf dem Werkstück aufsitzt und nicht abrutschen kann.
8. Tragen Sie einen Gehörschutz, um Ihre Ohren vor dem Auslassgeräusch zu schützen, und einen Kopfschutz. Tragen Sie außerdem leichte, aber keine weite Kleidung. Ärmel müssen zugeknöpft oder hochgerollt sein. Das Tragen einer Krawatte ist unzulässig.

Gefahren beim Betrieb

1. Halten Sie das Werkzeug korrekt: richten Sie sich darauf ein, normalen oder plötzlichen Bewegungen, wie z. B. Rückstoß, entgegenzuwirken.
2. Behalten Sie eine ausbalancierte Körperhaltung und sicheren Stand bei.
3. Tragen Sie eine geeignete Schutzbrille; außerdem wird das Tragen geeigneter Handschuhe und Schutzkleidung empfohlen.
4. Tragen Sie einen geeigneten Gehörschutz.
5. Verwenden Sie die korrekte Energiequelle gemäß den Anweisungen in der Betriebsanleitung.

6. Benutzen Sie das Werkzeug nicht auf beweglichen Plattformen oder auf der Ladefläche von Lastwagen. Eine plötzliche Bewegung der Plattform kann zum Verlust der Kontrolle über das Werkzeug führen und Verletzungen verursachen.
7. Gehen Sie stets davon aus, dass sich Befestigungsmittel im Werkzeug befinden.
8. Arbeiten Sie nicht überhastet, und verwenden Sie das Werkzeug nicht mit zu hohem Kraftaufwand. Gehen Sie mit dem Werkzeug sorgfältig um.
9. Achten Sie beim Arbeiten mit dem Werkzeug auf sicheren Stand und auf Ihr Gleichgewicht. Stellen Sie sicher, dass sich bei Arbeiten an hochgelegenen Arbeitsplätzen keine Personen unterhalb Ihres Standorts aufhalten, und sichern Sie den Druckluftschlauch, um Gefahren durch plötzliches Rucken oder Hängenbleiben zu vermeiden.
10. Bewegen Sie sich beim Eintreiben von Befestigungsmitteln auf Dächern und anderen hochgelegenen Orten in Vorwärtsrichtung. Wenn Sie sich beim Arbeiten rückwärts bewegen, können Sie leicht den Stand verlieren. Arbeiten Sie beim Eintreiben von Befestigungsmitteln an senkrechten Flächen von oben nach unten. Das Arbeiten auf diese Weise ist weniger ermüdend.
11. Wenn Sie versehentlich auf ein anderes Befestigungsmittel oder auf einen Ast im Holz treffen, kann sich das Befestigungsmittel verbiegen oder im Werkzeug verklemmen. Das Befestigungsmittel kann herausgeschleudert werden und Personen treffen, oder das Werkzeug selbst kann gefährliche Bewegungen machen. Setzen Sie die Befestigungsmittel mit Sorgfalt.
12. Das mit Befestigungsmitteln geladene Werkzeug und den Kompressor nicht längere Zeit der Sonneneinstrahlung aussetzen - insbesondere, wenn sie unter Druck stehen. Achten Sie darauf, dass am Ablageplatz des Werkzeugs keine Fremdkörper wie Staub, Sand, Späne oder sonstige Materialien in das Werkzeug eindringen.
13. Treiben Sie Befestigungsmittel niemals gleichzeitig von innen und außen ein. Die Befestigungsmittel können durchschießen und/oder umher fliegen und stellen eine große Gefahr dar.

RSI-Syndrom verursachende Gefahren

1. Wird ein Werkzeug über längere Zeitspannen benutzt, kann der Bediener Beschwerden in Händen, Armen, Schultern, Nacken oder anderen Körperteilen verspüren.
2. Bei der Benutzung eines Werkzeugs sollte der Bediener eine geeignete, aber ergonomische Haltung annehmen. Behalten Sie sicheren Stand bei, und vermeiden Sie unbequeme oder unausbalancierte Haltungen.
3. Falls der Bediener Symptome, wie z. B. anhaltende oder immer wiederkehrende Beschwerden, Schmerzen, Pochen, Reißen, Kribbeln, Taubheit, Brennen oder Steifigkeit verspürt, sollten diese Warnzeichen nicht ignoriert werden. Der Bediener sollte einen qualifizierten Gesundheitsexperten in Bezug auf allgemeine Aktivitäten konsultieren.

4. Fortgesetzter Gebrauch des Werkzeugs kann RSI-Syndrom durch den vom Werkzeug erzeugten Rückstoß verursachen.
5. Um RSI-Syndrom zu vermeiden, sollte sich der Bediener nicht übernehmen oder übermäßige Kraft anwenden. Darüber hinaus sollte der Bediener eine Pause einlegen, wenn er Müdigkeit verspürt.
6. Führen Sie eine Gefährdungsabschätzung bezüglich Gefahren durch wiederholte Beanspruchung durch. Diese sollte sich auf Muskel-Skelett-Erkrankungen konzentrieren und vorzugsweise auf der Annahme basieren, dass geringere Ermüdung während der Arbeit effektiv zur Reduzierung von Erkrankungen ist.

Durch Zubehör und Verbrauchsmaterial verursachte Gefahren

1. Trennen Sie das Werkzeug von seiner jeweiligen Energiequelle, wie z. B. Luft oder Gas oder Batterie, wo anwendbar, bevor Sie Zubehörteile, wie z. B. den Werkstückkontakt, austauschen oder Einstellungen vornehmen.
2. Verwenden Sie nur Zubehörteile der vom Hersteller gelieferten Größen und Typen.
3. Verwenden Sie nur die in dieser Anleitung empfohlenen Schmiermittel.

Gefahren am Arbeitsplatz

1. Ausrutschen, Stolpern und Stürzen sind Hauptursachen für Verletzungen am Arbeitsplatz. Achten Sie auf schlüpfrige Oberflächen, die durch den Gebrauch des Werkzeugs verursacht werden, und auch auf Stolpergefahren, die durch den Druckluftschlauch verursacht werden.
2. Lassen Sie in fremden Umgebungen zusätzliche Sorgfalt walten. Verborgene Gefahren, wie z. B. Stromkabel oder andere Versorgungsleitungen, können vorhanden sein.
3. Dieses Werkzeug ist nicht für den Einsatz in potenziell explosiven Atmosphären vorgesehen und ist nicht gegen Kontakt mit Strom isoliert.
4. Vergewissern Sie sich, dass keine Stromkabel, Gasrohre usw. vorhanden sind, die bei Beschädigung durch den Einsatz des Werkzeugs eine Gefahr darstellen können.
5. Der Arbeitsplatz muss sauber, aufgeräumt und gut beleuchtet sein. Unordnung und Dunkelheit am Arbeitsbereich bringen Unfallgefahren mit sich.
6. Befolgen Sie etwaige örtliche Lärmschutzvorschriften, und halten Sie die vorgeschriebenen Grenzen für Geräuschpegel ein. In bestimmten Fällen muss der Lärmpegel mit Hilfe von Schallschutzwänden/-lamellen gedämpft werden.

Durch Staub und Abgase verursachte Gefahren

1. Überprüfen Sie stets Ihre Umgebung. Die vom Werkzeug ausgeblasene Luft kann Staub oder Objekte aufwirbeln und den Bediener und/oder Umstehende treffen.
2. Lenken Sie die Abluft so, dass Aufwirbelung von Staub in einer staubgefüllten Umgebung minimiert wird.

3. Werden Staub oder Objekte im Arbeitsbereich emittiert, reduzieren Sie die Emissionen so weit wie möglich, um Gesundheitsrisiken und Verletzungsgefahr zu verringern.

Gefahren durch Lärm

1. Ungeschützte Einwirkung von hohen Geräuschpegeln kann permanente, behindernde Gehörschädigung und andere Probleme wie Tinnitus (Klingeln, Sausen, Pfeifen oder Brummen in den Ohren) verursachen.
2. Führen Sie eine Gefährdungsabschätzung bezüglich Lärmgefahren im Arbeitsbereich durch, und realisieren Sie angemessene Kontrollen für diese Gefahren.
3. Geeignete Kontrollen zur Verringerung des Risikos können Maßnahmen, wie Dämpfungsmaterial, beinhalten, um „Klingeln“ von Werkstücken zu verhindern.
4. Verwenden Sie einen geeigneten Gehörschutz.
5. Betreiben und warten Sie das Werkzeug gemäß den Empfehlungen in dieser Anleitung, um eine unnötige Zunahme von Geräuschpegeln zu verhindern.
6. Ergreifen Sie Lärmreduzierungsmaßnahmen, indem Sie beispielsweise Werkstücke auf Schalldämpfungsstützen legen.

Gefahren durch Vibrationen

1. Die Schwingungsemission während der Arbeit hängt von der Greifkraft, der Anpresskraft, der Arbeitsrichtung, der Einstellung der Energieversorgung, dem Werkstück und der Werkstückauflage ab. Führen Sie eine Gefährdungsabschätzung bezüglich Vibrationsgefahren durch, und realisieren Sie angemessene Kontrollen für diese Gefahren.
2. Einwirkung von Vibrationen kann behindernde Schäden an den Nerven und Blutgefäßen der Hände und Arme verursachen.
3. Tragen Sie beim Arbeiten unter kalten Bedingungen warme Kleidung, und halten Sie Ihre Hände warm und trocken.
4. Wenn Sie Taubheit, Kribbeln, Schmerzen oder Bleichwerden der Haut an Ihren Fingern oder Händen erleben, holen Sie sich medizinischen Rat von einem qualifizierten Berufsmediziner in Bezug auf allgemeine Aktivitäten.
5. Betreiben und warten Sie das Werkzeug gemäß den Empfehlungen in dieser Anleitung, um eine unnötige Zunahme von Vibrationspegeln zu verhindern.
6. Halten Sie das Werkzeug mit leichtem, aber sicherem Griff, weil die Gefährdung durch Vibrationen bei höherer Greifkraft im Allgemeinen größer ist.

Zusätzliche Warnungen für Druckluftwerkzeuge

1. Druckluft kann schwere Verletzungen verursachen.
2. Stellen Sie immer die Druckluftversorgung ab, und trennen Sie das Werkzeug von der Druckluftversorgung, wenn es nicht benutzt wird.

3. Trennen Sie das Werkzeug immer von der Druckluftversorgung, bevor Sie Zubehörteile wechseln, Einstellungen und/oder Reparaturen vornehmen, und wenn Sie sich von einem Arbeitsbereich zu einem anderen bewegen.
4. Halten Sie die Finger vom Auslöser fern, wenn Sie dieses Werkzeug nicht benutzen, und wenn Sie von einer Arbeitsposition zu einer anderen wechseln.
5. Richten Sie Druckluft niemals auf sich selbst oder andere Personen.
6. Peitschende Schläuche können schwere Verletzungen verursachen. Prüfen Sie stets, ob beschädigte oder lockere Schläuche oder Anschlussstutzen vorhanden sind.
7. Tragen Sie ein Druckluftwerkzeug niemals an seinem Schlauch.
8. Ziehen Sie ein Druckluftwerkzeug niemals an seinem Schlauch.
9. Bei Benutzung von Druckluftwerkzeugen darf der maximale Betriebsdruck ps max. nicht überschritten werden.
10. Druckluftwerkzeuge sollten nur mit Druckluft bei der niedrigsten für den Arbeitsvorgang erforderlichen Druckeinstellung betrieben werden, um Lärm und Vibrationen zu verringern und Verschleiß zu minimieren.
11. Die Verwendung von Sauerstoff oder brennbaren Gasen für den Betrieb von Druckluftwerkzeugen erzeugt eine Brand- und Explosionsgefahr.
12. Lassen Sie bei der Benutzung von Druckluftwerkzeugen Vorsicht walten, weil das Werkzeug kalt werden könnte, wodurch Griff und Kontrolle beeinflusst werden.

Sicherheitsvorrichtungen

1. Stellen Sie vor der Benutzung des Werkzeugs sicher, dass alle Sicherheitssysteme in funktionsfähigem Zustand sind. Das Werkzeug darf nicht auslösen, wenn nur der Ein-Aus-Schalter betätigt oder nur der Kontaktarm gegen das Holz gedrückt wird. Es darf nur dann auslösen, wenn beides gleichzeitig erfolgt. Überprüfen Sie das Werkzeug ohne Befestigungsmittel und bei voll angezogenem Drücker auf mögliche Funktionsfehler.
2. Die Arretierung des Auslösers in der EIN-Stellung ist sehr gefährlich. Versuchen Sie niemals, den Auslöser zu arretieren.
3. Versuchen Sie nicht, das Kontaktelement oder andere Sicherheitsvorrichtungen mit Klebeband oder Draht in gedrücktem Zustand zu fixieren. Es kann sonst zu tödlichen oder schweren Verletzungen kommen.

Wartung

1. Reinigen und warten Sie das Werkzeug direkt nach Beendigung der Arbeiten. Halten Sie das Werkzeug in einwandfreiem Zustand. Schmier Sie bewegliche Teile, um Rostbildung zu verhindern und reibungsbedingten Verschleiß zu minimieren. Wischen Sie sämtlichen Staub von den Teilen ab.
2. Lassen Sie das Werkzeug regelmäßig bei einem autorisierten Makita-Servicecenter überprüfen.

3. Um die SICHERHEIT und die ZUVERLÄSSIGKEIT des Produkts zu gewährleisten, dürfen Reparatur- und Wartungsarbeiten ausschließlich von autorisierten Makita-Servicecentern durchgeführt werden. Es dürfen nur Original-Ersatzteile von Makita verwendet werden.
4. Befolgen Sie die örtlichen Vorschriften zur Entsorgung des Werkzeugs.

DIESE ANWEISUNGEN AUFBEWAHREN.

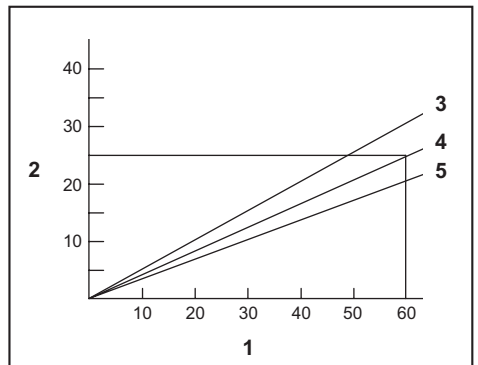
⚠️ WARNUNG: Lassen Sie sich NICHT durch Bequemlichkeit oder Vertrautheit mit dem Produkt (durch wiederholten Gebrauch erworben) von der strikten Einhaltung der Sicherheitsregeln für das vorliegende Produkt abhalten. MISSBRAUCH oder Missachtung der Sicherheitsvorschriften in dieser Anleitung können schwere Personenschäden verursachen.

BEZEICHNUNG DER TEILE

- Abb.1: 1. Sperrhebel 2. Auslöser 3. Aufhänger
4. Mundstückadapter 5. Schiebetür

INSTALLATION

Auswählen des Kompressors



1. Schussfrequenz (Auslösungen/Minute) 2. Kompressor-Luftleistung pro Minute (L/min) 3. 0,69 MPa (6,9 bar)
4. 0,57 MPa (5,7 bar) 5. 0,45 MPa (4,5 bar)

Der Luftkompressor muss den Anforderungen von EN60335-2-34 entsprechen.

Wählen Sie einen Kompressor mit reichlicher Luftdruck- und Luftmengenleistung, um kosteneffizienten Betrieb zu gewährleisten. Das Diagramm zeigt die Beziehung zwischen Schussfrequenz, anwendbarem Druck und Kompressor-Luftleistung.

Wenn der Nagelbetrieb beispielsweise mit einer Rate von ca. 60 Auslösungen pro Minute bei einem Druck von 0,57 MPa (5,7 bar) erfolgt, ist ein Kompressor mit einer Luftmengenleistung von über 25 Liter/Minute erforderlich.

Der Luftdruck muss mit Druckreglern auf den Nenndruck des Werkzeugs begrenzt werden, wenn der Luftquellendruck den Nenndruck des Werkzeugs überschreitet. Eine Missachtung dieses Punkts kann zu schweren Verletzungen des Werkzeugbenutzers oder umstehender Personen führen.

Auswählen des Druckluftschlauchs

⚠ VORSICHT: Eine zu geringe Luftleistung des Kompressors oder ein Druckluftschlauch mit einer zu großen Länge oder einem zu kleinen Durchmesser in Bezug auf die Schussfrequenz kann eine Abnahme der Eintreibleistung des Werkzeugs verursachen.

► Abb.2

Verwenden Sie einen möglichst dicken und kurzen Druckluftschlauch, um kontinuierlichen, effizienten Nagelbetrieb zu gewährleisten.

Bei einem Luftdruck von 0,49 MPa (4,9 bar) wird ein Druckluftschlauch mit einem Innendurchmesser von über 6,5 mm und einer Länge von unter 20 m empfohlen, wenn das Nagelintervall 0,5 Sekunden beträgt. Der Luftschlauch muss eine minimale Arbeitsdruckleistung von 1,03 MPa (10,3 bar) oder 150 Prozent des im System erzeugten Maximaldrucks haben, je nachdem, welcher Wert höher ist.

Schmierung

► Abb.3

Um maximale Leistung zu gewährleisten, sollte der Druckluftsatz (Öler, Regler, Luftfilter) möglichst nahe am Werkzeug installiert werden. Stellen Sie den Öler so ein, dass er einen Tropfen Öl für jeweils 50 Nägel liefert.

Wenn kein Druckluftsatz verwendet wird, ölen Sie das Werkzeug mit Druckluftwerkzeugöl, indem Sie 2 (zwei) bis 3 (drei) Tropfen in den Druckluftanschluss geben. Dies sollte vor und nach dem Gebrauch erfolgen. Für eine einwandfreie Schmierung muss das Werkzeug mehrmals ausgelöst werden, nachdem das Druckluftwerkzeugöl eingegeben worden ist.

► **Abb.4:** 1. Druckluftwerkzeugöl

FUNKTIONSBESCHREIBUNG

⚠ VORSICHT: Bevor Sie das Werkzeug einstellen oder seine Funktion überprüfen, stellen Sie stets den Auslöser und den Sperrhebel zurück, und trennen Sie den Schlauch ab.

Auslöser und Sperrhebel

⚠ WARNUNG: Achten Sie beim Anschließen des Schlauchs darauf, dass Ihre Finger nicht auf dem Auslöser und Sperrhebel ruhen. Anderenfalls kann das Werkzeug versehentlich ausgelöst werden, was zu Personenschäden führen kann.

Das Werkzeug ist mit einem Sperrhebel ausgestattet, um versehentliches Betätigen des Auslösers zu verhindern. Zum Eintreiben der Stiftnägel betätigen Sie zuerst den Sperrhebel und dann den Auslöser.

► **Abb.5:** 1. Sperrhebel

► **Abb.6:** 1. Auslöser

Überprüfen der Sicherheitssysteme

⚠ WARNUNG: Vergewissern Sie sich vor der Benutzung, dass alle Sicherheitssysteme in gutem Betriebszustand sind. Anderenfalls kann es zu Verletzungen kommen.

⚠ VORSICHT: Vergewissern Sie sich, dass das Werkzeug nicht mit Stiftnägeln geladen ist.

► **Abb.7:** 1. Auslöser 2. Sperrhebel

Überprüfen Sie das Sicherheitssystem vor dem Stiftnagelbetrieb wie folgt:

1. Ziehen Sie die Schiebetür des Magazins auf sich zu, um den Leerschuss-Sicherungsmechanismus freizugeben.
2. Entladen Sie das Werkzeug.
3. Vergewissern Sie sich, dass Sie den Auslöser **nicht** betätigen können, ohne den Sperrhebel zu betätigen.
4. Vergewissern Sie sich, dass Sie den Auslöser betätigen können, **nachdem** Sie den Sperrhebel betätigt haben.

Falls das Werkzeug die obige Prüfung nicht besteht, benutzen Sie das Werkzeug nicht weiter, und wenden Sie sich für eine Reparatur an ein autorisiertes Service-Center.

Aufhänger

⚠ VORSICHT: Achten Sie darauf, dass Ihre Finger nicht auf dem Auslöser oder dem Sperrhebel ruhen, und trennen Sie den Schlauch vom Werkzeug ab, bevor Sie den Aufhänger benutzen.

⚠ VORSICHT: Hängen Sie das Werkzeug auf keinen Fall an hoch gelegenen Stellen oder an einer potentiell instabilen Fläche auf.

⚠ VORSICHT: Hängen Sie den Aufhänger nicht in das Koppel ein. Falls der Nagler versehentlich herunterfällt, kann das zu einer Fehlauflösung und Personenschäden führen.

► **Abb.8:** 1. Aufhänger

Der Aufhänger ist praktisch, um das Werkzeug vorübergehend aufzuhängen.

Aufbewahrung des Inbusschlüssels

Bewahren Sie den Inbusschlüssel bei Nichtbenutzung an der gezeigten Stelle auf, damit er nicht verloren geht.

► **Abb.9:** 1. Inbusschlüssel

Druckluft-Entstauber

⚠ VORSICHT: Die Ausblasöffnung des Druckluft-Entstaubers nicht auf Personen richten. Halten Sie auch Ihre Hände und Füße von der Ausblasöffnung fern. Versehentliches Drücken der Entstaubertaste kann zu Verletzungen führen.

⚠ VORSICHT: Kontrollieren Sie stets Ihre Umgebung, bevor Sie den Druckluft-Entstauber verwenden. In der Nähe befindliche Personen können vom abgeblasenen Staub oder von Gegenständen getroffen werden.

⚠ VORSICHT: Den Druckluftschlauch nicht anschließen oder abtrennen, während Sie die Entstaubertaste drücken.

Die dem Werkzeug zugeführte Luft kann auch zum Entstauben verwendet werden. Sie können den Arbeitsbereich durch Drücken der Taste am Griffende reinigen.

► **Abb.10:** 1. Taste

ANMERKUNG: Durch die Verwendung des Druckluft-Entstaubers wird die Antriebskraft des Werkzeugs vorübergehend abgeschwächt. Warten Sie, bis sich der Luftdruck wieder stabilisiert hat.

ANMERKUNG: Betätigen Sie unmittelbar nach dem Ölen versuchsweise den Druckluft-Entstauber. Das Öl kann mit der Druckluft abgeblasen werden.

MONTAGE

⚠ VORSICHT: Bevor Sie irgendwelche Arbeiten am Werkzeug ausführen, stellen Sie stets den Auslöser und den Sperrhebel zurück, und trennen Sie den Schlauch ab.

Laden des Stiftnaglers

⚠ VORSICHT: Halten Sie die Schiebetür fest, wenn Sie den Entriegelungsknopf drücken. Wenn Stiftnägeln im Magazin geladen sind, bewegt sich die Schiebetür beim Drücken des Entriegelungsknopfes plötzlich.

⚠ VORSICHT: Bewegen Sie die Schiebetür immer langsam und vorsichtig. Versehentliches Herunterfallen von Stiftnägeln, besonders beim Arbeiten an hohen Orten, kann Personenschäden verursachen.

⚠ VORSICHT: Achten Sie darauf, dass Sie Nägel desselben Typs, derselben Größe und der gleichen Länge laden, wenn Sie Nägel in das Magazin laden.

ANMERKUNG: Laden Sie Stiftnägeln in der korrekten Richtung. Laden in der falschen Richtung kann vorzeitige Abnutzung des Treibers und Beschädigung der übrigen Teile verursachen.

ANMERKUNG: Verwenden Sie keine verformten verbundenen Stiftnägeln. Verwenden Sie nur die in dieser Anleitung angegebenen Stiftnägeln. Die Verwendung von anderen Stiftnägeln außer den angegebenen kann Stiftnagelstaus und Bruch des Stiftnaglers verursachen.

1. Drücken Sie den Entriegelungsknopf, während Sie die Schiebetür halten, und schieben Sie die Schiebetür auf.

► **Abb.11:** 1. Entriegelungsknopf 2. Schiebetür auf.

2. Halten Sie Stiftnägeln gegen das Magazin, und führen Sie sie vollständig in den Schlitz ein. Platzieren Sie die Stiftnägeln in der korrekten Richtung.

3. Während Sie die Stiftnägeln in dieser Position halten, schieben Sie diese Nägel vollständig in die Treiberführung ein.

► **Abb.12:** 1. Stiftnägeln 2. Treiberführung

4. Schieben Sie das Magazin auf die Ausgangsposition zurück, bis der Entriegelungsknopf herauspringt.

Abmessungen von Nägeln

Nur die folgenden Befestigungselemente können mit dem Werkzeug verwendet werden.

23-Gauge-Stiftnägeln

► **Abb.13**

Maximum

► **Abb.14:** (1) 35 mm

Minimum

► **Abb.15:** (1) 15 mm (2) 0,6 mm

Entladen des Stiftnaglers

Zum Herausnehmen von Stiftnägeln sind die Schritte von „Laden des Stiftnaglers“ umgekehrt anzuwenden.

Mundstückadapter

Um Stiftnägeln in empfindliche Oberflächen einzutreiben, verwenden Sie den Mundstückadapter.

Um den Mundstückadapter zu montieren, setzen Sie ihn auf die Treiberführungsabdeckung, so dass die Vorsprünge im Mundstückadapter in der Treiberführungsabdeckung sitzen.

► **Abb.16**

Ein Ersatz-Mundstückadapter ist im Halter am Ende der Schiebetür aufbewahrt.

► **Abb.17**

Anschließen des Druckluftschlauchs

⚠ VORSICHT: Lassen Sie Ihren Finger nicht auf dem Auslöser ruhen, wenn Sie den Druckluftschlauch anschließen.

► **Abb.18:** 1. Druckluftanschluss 2. Anschlussmuffe

Schieben Sie die Anschlussmuffe des Druckluftschlauchs auf den Druckluftanschluss des Werkzeugs. Vergewissern Sie sich, dass die Anschlussmuffe fest einrastet, wenn sie auf den Druckluftanschluss geschoben wird. Eine Schlauchkupplung muss so am Werkzeug oder in dessen Nähe installiert werden, dass der Druckvorrat abgelassen wird, wenn die Luftquellenkupplung abgetrennt wird.

BETRIEB

⚠ VORSICHT: Vergewissern Sie sich vor der Benutzung, dass alle Sicherheitssysteme in gutem Betriebszustand sind.

Funktionsprüfung vor dem Betrieb

Überprüfen Sie vor dem Betrieb stets die folgenden Punkte.

- Vergewissern Sie sich, dass das Werkzeug nicht durch bloßes Anschließen des Druckluftschlauchs betätigt wird.
- Vergewissern Sie sich, dass das Werkzeug nicht durch bloßes Ziehen des Auslösers betätigt wird.

Eintreiben von Stiftnägeln

⚠ WARNUNG: Achten Sie darauf, dass das Mundstück auf dem Material aufsitzt, bevor Sie den Auslöser betätigen. Versehentliche Auslösung kann zu Personenschäden führen.

⚠ VORSICHT: Stellen Sie den Sperrhebel bei Nichtbenutzung immer auf die Auslösersperrstellung.

► **Abb.19**

1. Setzen Sie das Mundstück flach auf das Material auf, und halten Sie das Werkzeug fest gegen das Material.
2. Betätigen Sie den Sperrhebel, und ziehen Sie den Auslöser vollständig an, um den Stiftnagel einzutreiben.
3. Lassen Sie den Auslöser und den Sperrhebel nach dem Eintreiben eines Stiftnagels unbedingt vollkommen los.

Falls der Kopf des eingetriebenen Stiftnagels oberhalb der Oberfläche des Materials bleibt, halten Sie den Stiftnaglerkopf beim Eintreiben des Stiftnagels fest.

► **Abb.20**

HINWEIS: Wenn der Auslöser nach einer schnellen Auslöseraktion gezogen wird, reagiert der Nagler eventuell gar nicht, sondern bewegt sich nur kurz, ohne einen Stiftnagel abzuschließen. Lassen Sie in diesem Fall den Auslöser und den Sperrhebel vollkommen los, bevor Sie den Stiftnagel erneut eintreiben.

ANMERKUNG: Verwenden Sie keine verformten Nägel oder Nagelgurte. Anderenfalls kann es zu Transportstörungen der Nägel kommen.

Leerschuss-Sicherungsmechanismus

Dieses Werkzeug ist mit einem Leerschuss-Sicherungsmechanismus ausgestattet. Wenn nur noch wenige Nägel im Magazin verbleiben, wird der Auslöser in der gelösten Stellung gesperrt, um eine Aktivierung des Werkzeugs zu verhindern. Wenn dieser Mechanismus aktiviert wird, laden Sie mehr Nägel, um den Betrieb wiederaufzunehmen.

Leeranzeige

Wenn die restliche Anzahl von Nägeln im Magazin gering wird, wechselt die Farbe der Leeranzeige zu Rot. Laden Sie Nägel nach, wenn die Leeranzeige rot wird.

► **Abb.21:** 1. Leeranzeige

Entfernen von gestauten Stiftnägeln

⚠ WARNUNG: Stellen Sie den Auslöser und den Sperrhebel stets zurück, und trennen Sie den Schlauch ab, bevor Sie gestaute Nägel entfernen.

Wenn ein Stiftnagel klemmt, entfernen Sie den Stiftnagel wie folgt. Trennen Sie unbedingt den Schlauch ab, bevor Sie gestaute Nägel entfernen.

► **Abb.22:** 1. Schraube (A) 2. Schraube (B) 3. Treiberführungsabdeckung

1. Nehmen Sie im Magazin verbleibende Stiftnagel heraus.
2. Entfernen Sie den Mundstückadapter.
3. Lösen Sie Schraube (A) und Schraube (B) um ungefähr zwei Umdrehungen mit dem im Lieferumfang des Stiftnaglers enthaltenen Inbusschlüssel.
4. Entfernen Sie die Treiberführungsabdeckung durch Verschieben.
5. Entfernen Sie klemmende Stiftnagel, Bruchstücke, Klebemittel und Holzspäne usw. aus dem Durchgang für Stiftnagel.
6. Überprüfen Sie die Treiberführungsabdeckung auf klemmende Stiftnagel und sonstige Fremdkörper.
7. Bringen Sie die Treiberführungsabdeckung wieder an, sichern Sie sie mit diesen beiden Schrauben, und bringen Sie dann den Mundstückadapter wieder an.

WARTUNG

⚠ VORSICHT: Stellen Sie den Auslöser und den Sperrhebel stets zurück, und trennen Sie den Schlauch ab, bevor Sie sich anschicken, eine Überprüfung oder Wartungsarbeiten durchzuführen.

ANMERKUNG: Verwenden Sie auf keinen Fall Benzin, Waschbenzin, Verdünnern, Alkohol oder dergleichen. Solche Mittel können Verfärbung, Verformung oder Rissbildung verursachen.

Wartung des Naglers

Überprüfen Sie das Werkzeug vor der Benutzung stets auf seinen Allgemeinzustand und lockere Schrauben. Erforderlichenfalls anziehen.

Führen Sie die tägliche Inspektion bei abgetrenntem Werkzeug durch, um sicherzustellen, dass sich der Sperrhebel und der Auslöser ungehindert bewegen. Benutzen Sie das Werkzeug nicht, falls der Auslöser oder der Sperrhebel klemmt oder blockiert.

Wenn das Werkzeug längere Zeit nicht benutzt werden soll, schmieren Sie es mit Druckluftwerkzeugöl, und lagern Sie es an einem sicheren Ort. Vermeiden Sie Orte, die direktem Sonnenlicht ausgesetzt sind und/oder feuchte oder heiße Umgebungen.

► **Abb.23**

Wartung von Kompressor, Druckluftsatz und Druckluftschlauch

Nach jedem Betrieb sollten Kompressortank und Luftfilter entleert werden. In das Werkzeug eingedrungene Feuchtigkeit kann eine Verschlechterung der Leistung und ein mögliches Versagen des Werkzeugs verursachen.

► **Abb.24:** 1. Ablasshahn

► **Abb.25:** 1. Luftfilter

Prüfen Sie regelmäßig nach, ob genügend Druckluftöl im Öl des Druckluftsatzes vorhanden ist. Eine Vernachlässigung der Schmierung führt zu schnellem Verschleiß der O-Ringe.

► **Abb.26:** 1. Öl 2. Druckluftwerkzeugöl

Halten Sie den Druckluftschlauch von Wärmequellen (über 60°C) und Chemikalien (Verdünnern, starken Säuren oder Laugen) fern. Achten Sie auch darauf, dass sich der Schlauch nicht an Hindernissen verfängt, was während des Betriebs gefährlich sein kann. Der Schlauch darf auch nicht mit scharfen Kanten oder Gegenständen in Berührung kommen, die eine Beschädigung oder Abrieb des Schlauchs verursachen können.

Nägeln

Behandeln Sie Nagelgurte und ihre Schachteln sorgfältig. Bei grober Behandlung der Nagelgurte können sie sich verformen, was schlechten Nageltransport verursacht.

Vermeiden Sie die Lagerung von Nägeln an sehr feuchten oder heißen Orten oder an Orten, die direktem Sonnenlicht ausgesetzt sind.

Um die SICHERHEIT und ZUVERLÄSSIGKEIT dieses Produkts zu gewährleisten, sollten Reparaturen und andere Wartungs- oder Einstellarbeiten nur von Makita-Vertragswerkstätten oder Makita-Kundendienstzentren unter ausschließlicher Verwendung von Makita-Originalersatzteilen ausgeführt werden.

SONDERZUBEHÖR

⚠ VORSICHT: Die folgenden Zubehörteile oder Vorrichtungen werden für den Einsatz mit dem in dieser Anleitung beschriebenen Makita-Werkzeug empfohlen. Die Verwendung anderer Zubehörteile oder Vorrichtungen kann eine Verletzungsgefahr darstellen. Verwenden Sie Zubehörteile oder Vorrichtungen nur für ihren vorgesehenen Zweck.

Wenn Sie weitere Einzelheiten bezüglich dieser Zubehörteile benötigen, wenden Sie sich bitte an Ihre Makita-Kundendienststelle.

- Stiftnägel
- Druckluftschlauch
- Schutzbrille

HINWEIS: Manche Teile in der Liste können als Standardzubehör im Werkzeugsatz enthalten sein. Sie können von Land zu Land unterschiedlich sein.

Makita Europe N.V. Jan-Baptist Vinkstraat 2,
3070 Kortenberg, Belgium

Makita Corporation 3-11-8, Sumiyoshi-cho,
Anjo, Aichi 446-8502 Japan

www.makita.com

AF353-AT8-1604
EN, PL, HU, SK,
CS, UK, RO, DE
20190326