
EU Conformity Declaration

The undersigned, Yasuhiko Kanzaki, as authorized by MAKITA INTERNATIONAL EUROPE LTD., Michigan Drive, Tongwell, Milton Keynes, Bucks MK15 8JD, U.K., declare that the Makita Machines,

Type : B-04818

manufactured by robin conforms to the basic safety and health requirements of the applicable EU guidelines:

EU Machine guideline 98/37/EG

EU EMC guideline 89/336/EWG (modified by 91/263/EWG, 92/31/EWG and 93/68/EWG)

Noise Emission guideline 2000/14/EC

The most important standards applied to properly meet the requirements of the above EU guidelines were:

EN292, CISPR 12.

Technical Documentation: Fuji Robin Industries Ltd.
35 OHOKA, NUMAZU - CITY, SHIZUOKA -
PREF, 410-8535 JAPAN
Hiroshi Hirooka
General Manager, Engineering Department

Guaranteed Sound Power : 106 dB (RBC2510 attached)

Measured Sound Power : 104 dB (RBC2510 attached)

Milton Keynes, 01.11.01

For MAKITA INTERNATIONAL EUROPE LTD.



Yasuhiko Kanzaki
Managing Director



POLE CULTIVATOR (ATTACHMENT)

B-04818

INSTRUCTION MANUAL

Important:

This attachment is designed to be mounted on Brush Cutter (Grass Trimmer). Before use, be sure to read thoroughly both instruction manuals of this attachment and the Brush Cutter (Grass Trimmer). Any failure to follow the indications of the manual may lead to serious accidents.

Makita Corporation
3-11-8, Sumiyoshi-cho,
Anjo, Aichi 446-8502, Japan

6019506601 04.10

Thank you very much for purchasing MAKITA Pole Cultivator attachment. This attachment is designed to be mounted on MAKITA Brush Cutter (Grass Trimmer) mentioned below. Before use, please read this manual and instruction manual of your Brush Cutter (Grass Trimmer), and pay special attention to safety during operation.

Table of Contents

1. Safety instructions	1
2. Specifications	2
3. Designation of parts	2
4. Preparations for operation	3
5. Inspection and maintenance	3
6. EC declaration of conformity	4

Attachable models

**RBC221, RBC226, RBC251, RBC256,
RBC2510, RPT250, PTR2500, EM4251**

1. SAFETY INSTRUCTIONS

Observe the following for safety operation of the Pole Cultivator.

1) Clothing and protective equipment

Wear the clothing and protective equipment (safety helmet, protective goggles, safety shoes, gloves, earplugs, etc) that are best adapted to the operation.

2) Cautions in operation

Be sure to stop the engine when handling rotating parts, such as the rotary blade.

Check carefully the work site in advance and confirm that there are not any dangerous objects. (Never perform operation on an unstable footing.)

During operation, be sure to keep off obstacles, bystanders or animals within a radius of 15 m.

Never use the machine for purposes other than cultivating work.

During operation, use the shoulder strap. Keep securely the machine on your right side, holding the front handle with the left hand and the rear grip with the right hand. Keep a stable operating position with the legs spread.

During operation, never hit the cultivator chain against hard obstacles such as stone and metal. When stones, clods or grass leaves or roots are wound around the blade, stop the engine and remove them.

Never use the machine at places where roots or ivies are rampant.

Never touch the gear case and adjoining parts with the bare hand for some time after operation, as they remain still hot.

3) Cautions after cutting work

When moving, transporting or storing the pole cultivator, be sure to stop the engine.

Before storing the machine, perform full clearing and maintenance.

During storing, never keep the machine upright. It may fall unexpectedly, causing an injury.

Perform regular inspection and maintenance of the machine at your dealership.

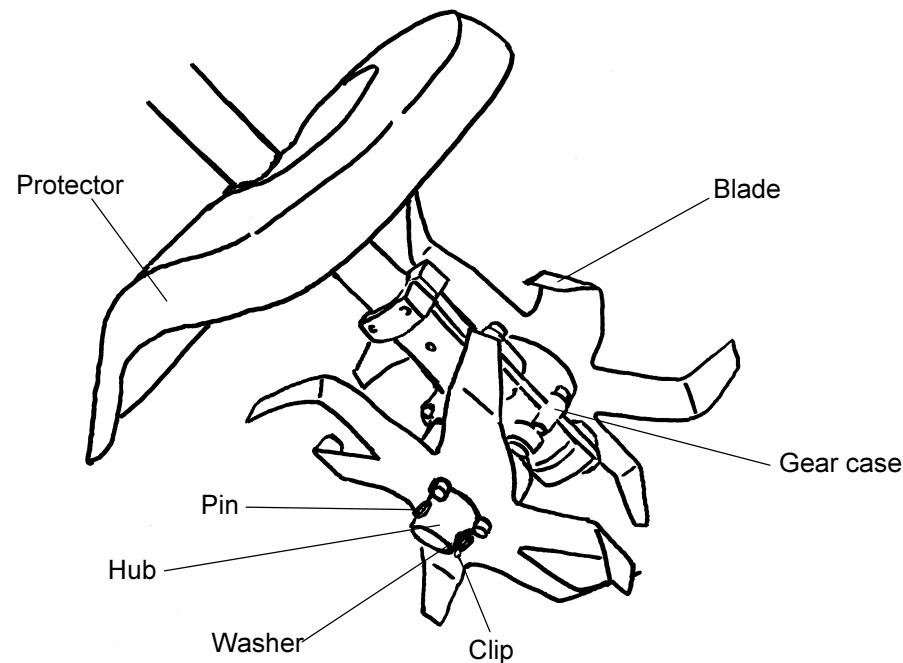
4) Others

Be sure to follow the indications of the instruction manual of your pole cultivator.

2.SPECIFICATIONS

Cultivating width		mm	160 mm
Outer diameter of cutter		mm	232
Gear reduction ratio			1/35
Vibration per ISO 7916	Rear grip	Idling	m/s ² 2.41 (RBC2510 attached)
		Racing or W.O.T	m/s ² 7.91 (RBC2510 attached)
	Front handle	Idling	m/s ² 3.18 (RBC2510 attached)
		Racing or W.O.T	m/s ² 3.75 (RBC2510 attached)
Sound pressure level average to ISO 7917		dB	91.3 (RBC2510 attached)
Sound power level average to EN 292		dB	101.1 (RBC2510 attached)

3.DESIGNATION OF PARTS



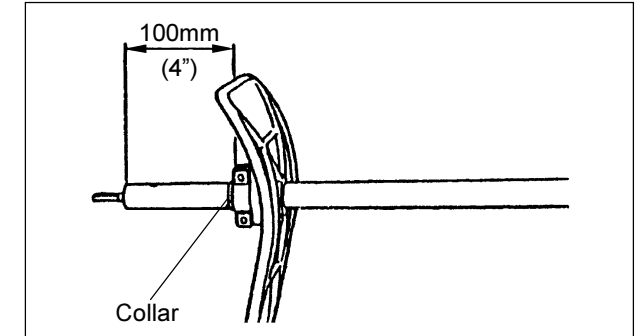
4.PREPARATIONS FOR OPERATION

Mounting of attachment

! Attention: Before operation, be sure to stop the engine and wear the gloves.

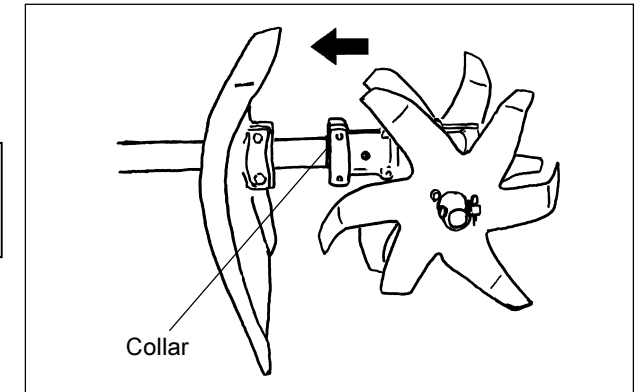
Before operation, remove the pole cultivator gear case and shatterproof cover from the pipe shaft.

Fit the protector to the pipe shaft, and securely fix it with two fixing bolts as illustrated (tightening torque: 5 – 6 N-m).



! Attention: Never fail to insert the collar.

Fit the gear case to the pipe shaft, and securely fix it with one loosening-preventing bolt and two tightening bolts (tightening torque: 5 – 6 N-m).

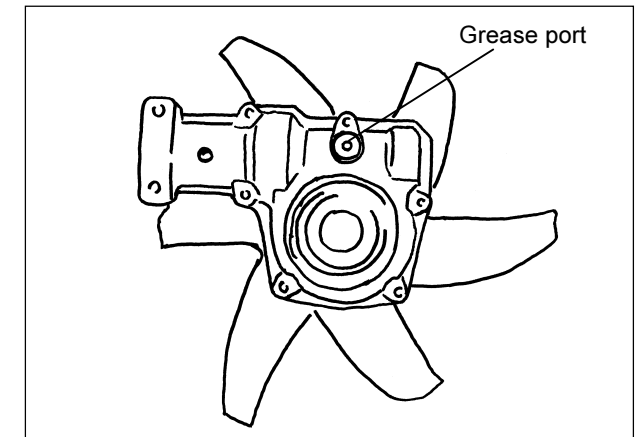


! Attention: Never fail to insert the collar.

5.INSPECTION AND MAINTENANCE

1) Gear case

Refill grease from the grease port on the gear case at the interval of 50 hours of operation.



2) Blade, protector

Replace the blade or protector, if it is worn, deformed or damaged (cracked, etc). (Inspection before work)

3) Bolt, screw, etc.

Check all the bolts and screws for loosening. If any of them is loose, retighten it securely. (Inspection before work)