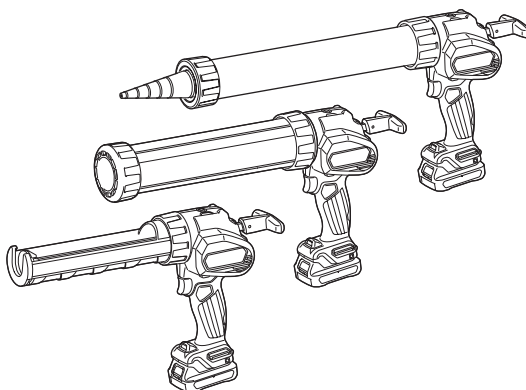




EN	Cordless Caulking Gun	INSTRUCTION MANUAL	6
FR	Pistolet à Mastic Sans Fil	MANUEL D'INSTRUCTIONS	12
DE	Akku-Kartuschenpistole	BETRIEBSANLEITUNG	18
IT	Pistola per sigillante a batteria	ISTRUZIONI PER L'USO	25
NL	Accukitpistool	GEBRUIKSAANWIJZING	32
ES	Pistola Inalámbrica para Aplicación de Sellador	MANUAL DE INSTRUCCIONES	39
PT	Pistola de Calafetação a Bateria	MANUAL DE INSTRUÇÕES	46
DA	Akku fugepistol	BRUGSANVISNING	53
EL	Φορητό πιστόλι στοκαρίσματος	ΕΓΧΕΙΡΙΔΙΟ ΟΔΗΓΙΩΝ	59
TR	Akülü Derz Dolgu Tabancası	KULLANMA KILAVUZU	66

CG100D



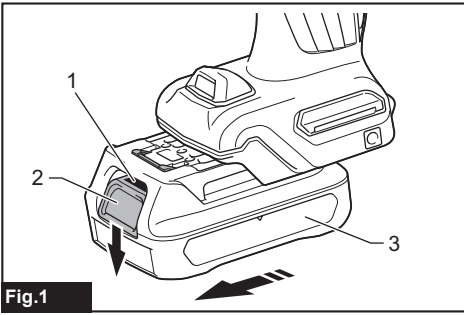


Fig.1

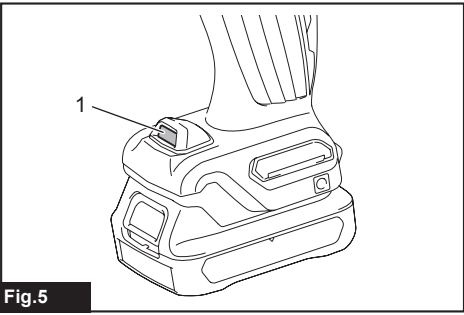


Fig.5



Fig.2

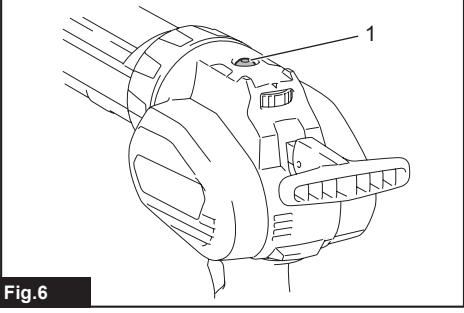


Fig.6

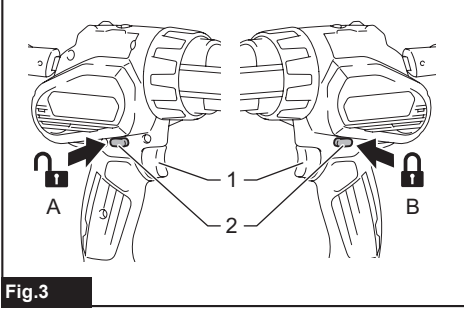


Fig.3

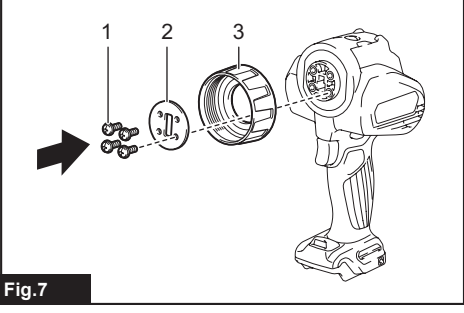


Fig.7

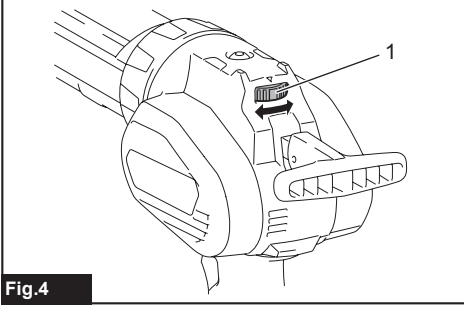


Fig.4

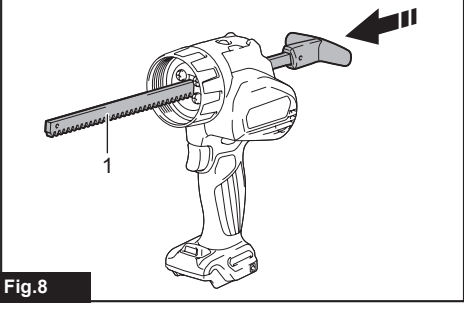
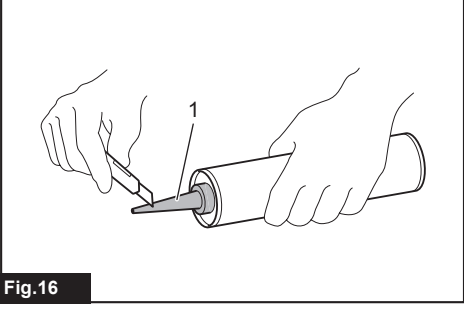
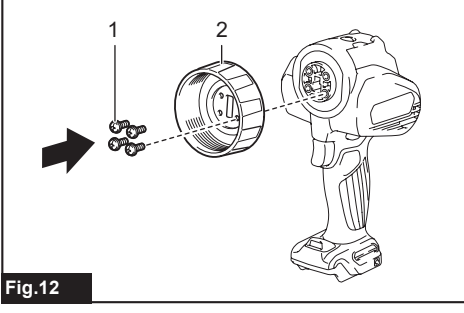
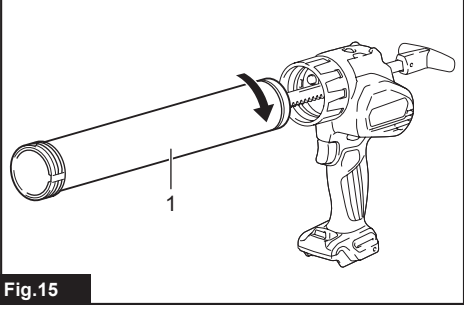
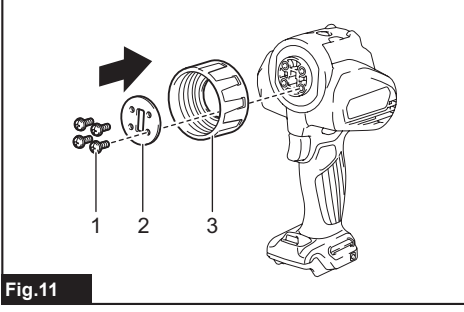
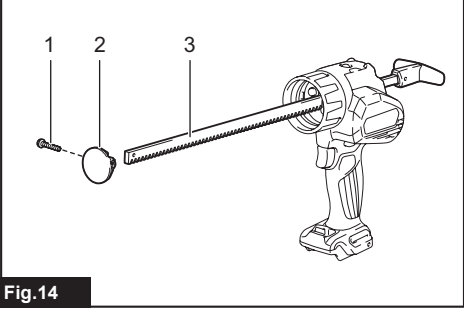
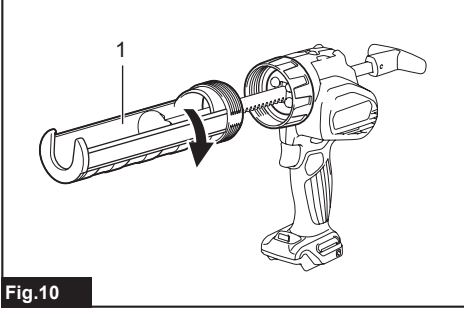
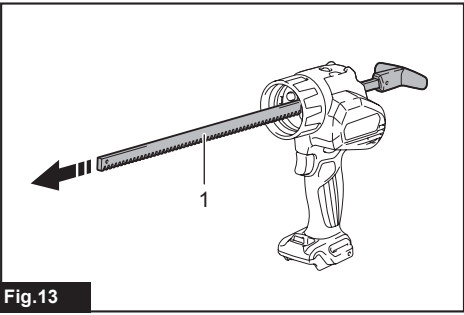
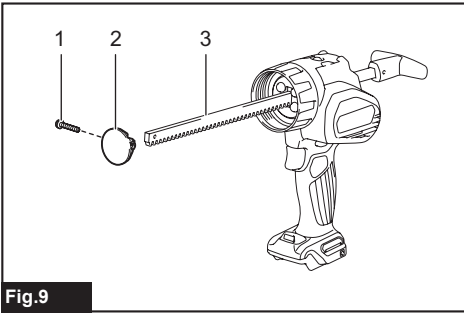


Fig.8



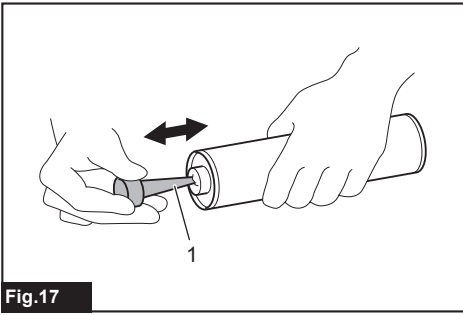


Fig. 17

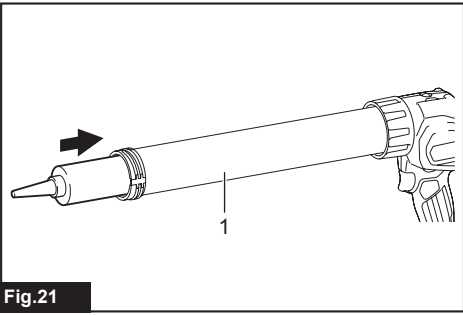


Fig. 21

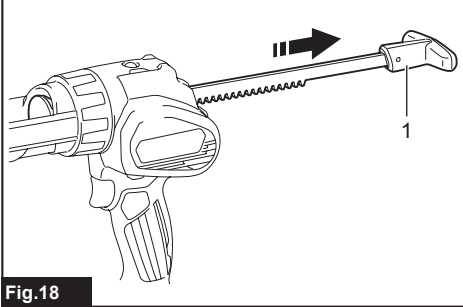


Fig. 18

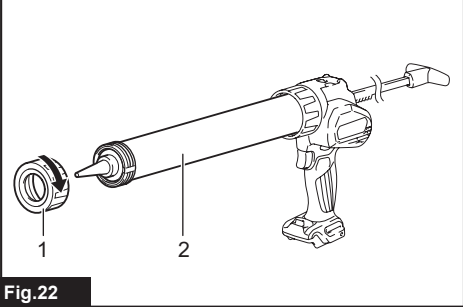


Fig. 22

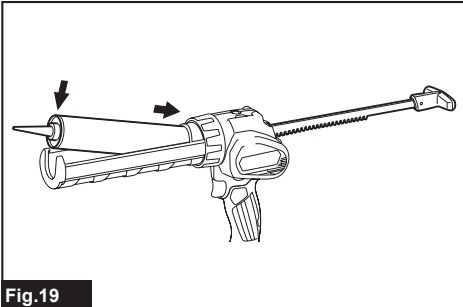


Fig. 19

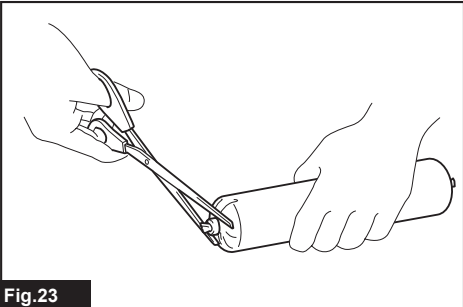


Fig. 23

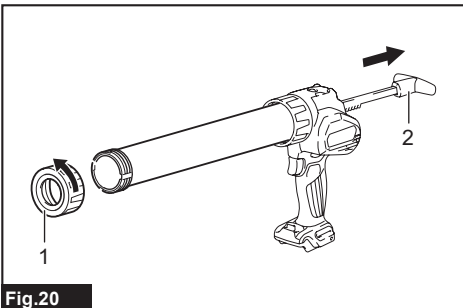


Fig. 20

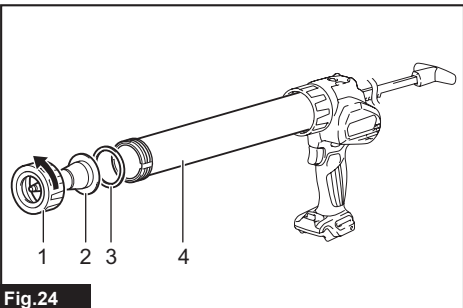
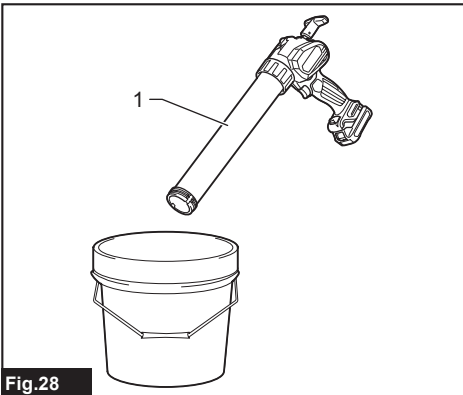
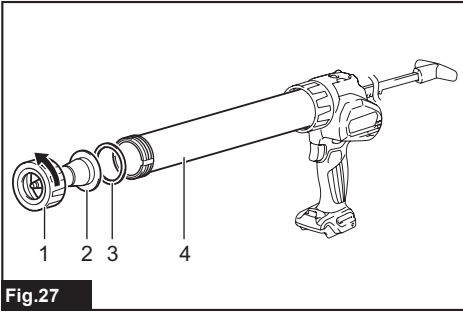
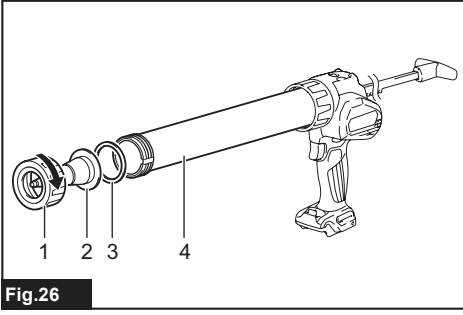
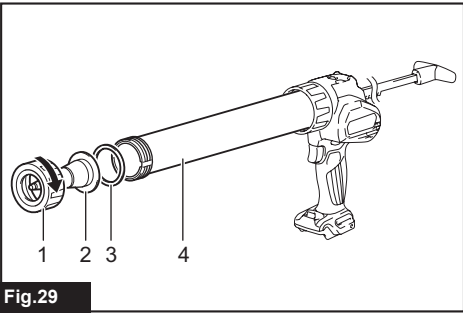
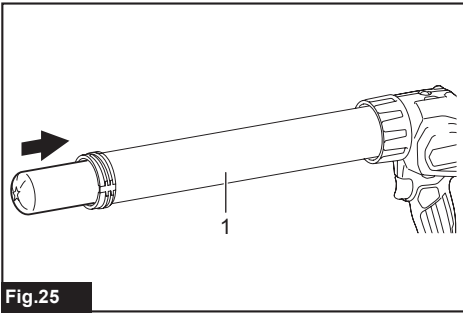


Fig. 24



SPECIFICATIONS

Model:		CG100D
Maximum feed force		5,000 N
Feed speed		0 - 28 mm/s
Stroke	300 ml size holder	214 mm
	600 ml size holder	350 mm
	800 ml size holder	294 mm
Overall length	300ml size holder	404 mm
	600ml size holder	538 mm
	800ml size holder	480 mm
Rated voltage		D.C. 10.8 V - 12 V max
Standard battery cartridge		BL1015 / BL1016 / BL1020B / BL1021B / BL1040B / BL1041B
Charger		DC10SA / DC10SB / DC10WC / DC10WD
Net weight		1.9 - 2.6 kg

- Due to our continuing program of research and development, the specifications herein are subject to change without notice.
- Specifications and battery cartridge may differ from country to country.
- The weight may differ depending on the attachment(s), including the battery cartridge. The lightest and heaviest combination, according to EPTA-Procedure 01/2014, are shown in the table.

Intended use

This tool is intended for applying caulking material to surface.

Noise

The typical A-weighted noise level determined according to EN62841:

Sound pressure level (L_{pA}): 70 dB(A) or less

Uncertainty (K): 3 dB(A)

The noise level under working may exceed 80 dB (A).

⚠ WARNING: Wear ear protection.

Vibration

The vibration total value (tri-axial vector sum) determined according to EN62841:

Work mode: operation without load

Vibration emission (a_n): 2.5 m/s² or less

Uncertainty (K): 1.5 m/s²

NOTE: The declared vibration emission value has been measured in accordance with the standard test method and may be used for comparing one tool with another.

NOTE: The declared vibration emission value may also be used in a preliminary assessment of exposure.

⚠ WARNING: The vibration emission during actual use of the power tool can differ from the declared emission value depending on the ways in which the tool is used.

⚠ WARNING: Be sure to identify safety measures to protect the operator that are based on an estimation of exposure in the actual conditions of use (taking account of all parts of the operating cycle such as the times when the tool is switched off and when it is running idle in addition to the trigger time).

EC Declaration of Conformity

For European countries only

The EC declaration of conformity is included as Annex A to this instruction manual.

SAFETY WARNINGS

General power tool safety warnings

⚠ WARNING: Read all safety warnings, instructions, illustrations and specifications provided with this power tool. Failure to follow all instructions listed below may result in electric shock, fire and/or serious injury.

Save all warnings and instructions for future reference.

The term "power tool" in the warnings refers to your mains-operated (corded) power tool or battery-operated (cordless) power tool.

Cordless caulking gun safety warnings

1. Keep hands and clothes away from the rod and the plunger area. Otherwise your finger or clothes may be pinched.
2. Hold the tool firmly.
3. Always work in well ventilated area and wear proper protections in accordance with the operation.
4. Read and follow the manufacture's instructions on caulking material or adhesive material before usage.

SAVE THESE INSTRUCTIONS.

⚠WARNING: DO NOT let comfort or familiarity with product (gained from repeated use) replace strict adherence to safety rules for the subject product. MISUSE or failure to follow the safety rules stated in this instruction manual may cause serious personal injury.

Important safety instructions for battery cartridge

1. Before using battery cartridge, read all instructions and cautionary markings on (1) battery charger, (2) battery, and (3) product using battery.
2. Do not disassemble battery cartridge.
3. If operating time has become excessively shorter, stop operating immediately. It may result in a risk of overheating, possible burns and even an explosion.
4. If electrolyte gets into your eyes, rinse them out with clear water and seek medical attention right away. It may result in loss of your eyesight.
5. Do not short the battery cartridge:
 - (1) Do not touch the terminals with any conductive material.
 - (2) Avoid storing battery cartridge in a container with other metal objects such as nails, coins, etc.
 - (3) Do not expose battery cartridge to water or rain.

A battery short can cause a large current flow, overheating, possible burns and even a breakdown.

6. Do not store the tool and battery cartridge in locations where the temperature may reach or exceed 50 °C (122 °F).
7. Do not incinerate the battery cartridge even if it is severely damaged or is completely worn out. The battery cartridge can explode in a fire.
8. Be careful not to drop or strike battery.
9. Do not use a damaged battery.

10. The contained lithium-ion batteries are subject to the Dangerous Goods Legislation requirements.

For commercial transports e.g. by third parties, forwarding agents, special requirement on packaging and labeling must be observed. For preparation of the item being shipped, consulting an expert for hazardous material is required. Please also observe possibly more detailed national regulations.

Tape or mask off open contacts and pack up the battery in such a manner that it cannot move around in the packaging.

11. Follow your local regulations relating to disposal of battery.

SAVE THESE INSTRUCTIONS.

⚠CAUTION: Only use genuine Makita batteries. Use of non-genuine Makita batteries, or batteries that have been altered, may result in the battery bursting causing fires, personal injury and damage. It will also void the Makita warranty for the Makita tool and charger.

Tips for maintaining maximum battery life

1. Charge the battery cartridge before completely discharged. Always stop tool operation and charge the battery cartridge when you notice less tool power.
2. Never recharge a fully charged battery cartridge. Overcharging shortens the battery service life.
3. Charge the battery cartridge with room temperature at 10 °C - 40 °C (50 °F - 104 °F). Let a hot battery cartridge cool down before charging it.

FUNCTIONAL DESCRIPTION

CAUTION: Always be sure that the tool is switched off and the battery cartridge is removed before adjusting or checking function on the tool.

Installing or removing battery cartridge

CAUTION: Always switch off the tool before installing or removing of the battery cartridge.

CAUTION: Hold the tool and the battery cartridge firmly when installing or removing battery cartridge. Failure to hold the tool and the battery cartridge firmly may cause them to slip off your hands and result in damage to the tool and battery cartridge and a personal injury.

► Fig.1: 1. Red indicator 2. Button 3. Battery cartridge

To remove the battery cartridge, slide it from the tool while sliding the button on the front of the cartridge.

To install the battery cartridge, align the tongue on the battery cartridge with the groove in the housing and slip it into place. Insert it all the way until it locks in place with a little click. If you can see the red indicator on the upper side of the button, it is not locked completely.

CAUTION: Always install the battery cartridge fully until the red indicator cannot be seen. If not, it may accidentally fall out of the tool, causing injury to you or someone around you.

CAUTION: Do not install the battery cartridge forcibly. If the cartridge does not slide in easily, it is not being inserted correctly.

Battery protection system

The tool is equipped with a battery protection system. This system automatically cuts off power to the motor to extend battery life.

The tool will automatically stop during operation if the tool and/or battery are placed under one of the following conditions:

Overloaded:

The tool is operated in a manner that causes it to draw an abnormally high current.

In this situation, turn the tool off and stop the application that caused the tool to become overloaded. Then turn the tool on to restart.

If the tool does not start, the battery is overheated. In this situation, let the battery cool before turning the tool on again.

Low battery voltage:

The remaining battery capacity is too low and the tool will not operate. If you turn the tool on, the motor runs again but stops soon. In this situation, remove and recharge the battery.

Indicating the remaining battery capacity

Only for battery cartridges with the indicator

► Fig.2: 1. Indicator lamps 2. Check button

Press the check button on the battery cartridge to indicate the remaining battery capacity. The indicator lamps light up for a few seconds.

Indicator lamps		Remaining capacity
Lighted	Off	
■ ■ ■ ■	□	75% to 100%
■ ■ ■ □	□	50% to 75%
■ ■ □ □	□ □	25% to 50%
■ □ □ □	□ □ □	0% to 25%

NOTE: Depending on the conditions of use and the ambient temperature, the indication may differ slightly from the actual capacity.

Switch action

WARNING: Before installing the battery cartridge into the tool, always check to see that the switch trigger actuates properly and returns to the "OFF" position when released.

► Fig.3: 1. Switch trigger 2. Trigger-lock button

To prevent the switch trigger from accidentally pulled, the trigger-lock button is provided.

To start the tool, depress the trigger-lock button from A side and pull the switch trigger. Tool speed is increased by increasing pressure on the switch trigger. Release the switch trigger to stop.

After use, press in the trigger-lock button from B side.

Speed adjusting dial

► Fig.4: 1. Speed adjusting dial

The tool speed can be adjusted by turning the speed adjusting dial. You can get the highest speed at 5 and the lowest speed at 1.

NOTICE: Do not turn the dial quickly when the tool is working.

NOTICE: Depending on the type and conditions of caulking material, it may not be fed at low speed. In this case, set the speed adjusting dial higher.

NOTICE: When changing the speed dial from "5" to "4", turn the dial counterclockwise. Do not turn the dial clockwise forcibly.

Lighting up the front lamp

CAUTION: Do not look in the light or see the source of light directly.

► Fig.5: 1. Lamp

To turn on the lamp, slightly pull the switch trigger, and then release it. The lamp goes out approximately 10 seconds after releasing the switch trigger.

NOTICE: When the tool is overheated, the lamp flickers. Cool down the tool fully before operating the tool again.

NOTE: Use a dry cloth to wipe the dirt off the lens of the lamp. Be careful not to scratch the lens of lamp, or it may lower the illumination.

Overload warning lamp

► Fig.6: 1. Warning lamp

The warning lamp blinks when the tool is highly loaded. If the load increases and the tool becomes overloaded, the tool stops automatically and the warning lamp keeps on lighting. In this case, release the switch trigger, and remove the cause of overload, and then restart the tool.

NOTE: When the warning lamp blinks, check the following points:

- The caulking material is clogged.
- The speed adjusting dial is set to high speed.
- The cutting area of the tip of the cartridge nozzle or film type package is too small.

Drip preventive function

The motor keeps running for a short time even after the trigger is released. It releases the pressure of the caulking material and prevents dripping.

ASSEMBLY

CAUTION: Always be sure that the tool is switched off and the battery cartridge is removed before carrying out any work on the tool.

Installing or removing 300 ml size holder

Installing or removing the holder joint

Attach the holder joint and plate by securing the screws firmly. To remove the holder joint, follow the installation procedure in reverse.

► Fig.7: 1. Screw 2. Plate 3. Holder joint

Installing or removing the rod and piston

1. Insert the rod from the rear side of the tool with its teeth facing down.

► Fig.8: 1. Short rod

2. Attach piston A with the screw.

► Fig.9: 1. Screw 2. Piston A 3. Short rod

NOTICE: Available type of caulking material container for 300 ml size holder is cartridge only. Be sure to attach piston A to the rod.

To remove the rod and piston, follow the installation procedure in reverse.

Installing or removing the holder

CAUTION: Secure the holder to the holder joint firmly. Otherwise the holder may come off during operation and may cause an injury.

To install the holder, turn it clockwise firmly until it stops while holding the holder joint. To remove the holder, follow the installation procedure in reverse.

► Fig.10: 1. Holder

Installing or removing 600 ml or 800 ml size holder

Installing or removing the holder joint

Attach the holder joint and plate by securing the screws firmly. To remove the holder joint, follow the installation procedure in reverse.

For 600 ml size holder






► Fig.11: 1. Screw 2. Plate 3. Holder joint

For 800 ml size holder

► Fig.12: 1. Screw 2. Holder joint and plate

Selecting the type of piston

Select the proper type of piston according to the caulking material container by referring to the following table.

	600 ml size holder	800 ml size holder
Cartridge	Piston A 	Piston D 
Film package	Piston B 	Piston E * 
Direct filling	Piston C 	-

*. Optional accessory

Installing or removing the rod and piston

1. Insert the rod from the rear side of the tool with its teeth facing down.

► **Fig.13:** 1. Long rod or black rod

NOTICE: For 600 ml size holder, use the long rod. For 800 ml size holder, use the black rod.

2. Attach the piston with the screw.

► **Fig.14:** 1. Screw 2. Piston 3. Long rod or black rod

To remove the rod and piston, follow the installation procedure in reverse.

Installing or removing 600 ml or 800 ml size holder

CAUTION: Secure the holder to the holder joint firmly. Otherwise the holder may come off during operation and may cause an injury.

To install the holder, turn it clockwise firmly until it stops while holding the holder joint.

► **Fig.15:** 1. Holder

To remove the holder, follow the installation procedure in reverse.

OPERATION

Using cartridge

Preparing cartridge for use

1. Cut the tip of the cartridge nozzle so that the suitable amount of caulking material is fed.

► **Fig.16:** 1. Nozzle

2. Make a hole on the protective film with the tip of the nozzle.

► **Fig.17:** 1. Nozzle

3. Attach the nozzle to the cartridge.

NOTICE: Be sure to check the cartridge for damage before installation. Using the damaged cartridge may cause malfunction.

NOTICE: When reusing the partially used cartridge, be sure to remove the solid caulking material before the installation.

Installing cartridge to 300 ml size holder

NOTICE: Make sure that piston A is attached to the rod. Do not use other type of piston for cartridge.

1. Pull the rod handle backward slowly until it stops.

► **Fig.18:** 1. Rod handle

2. Insert the cartridge into the holder as shown in the figure.

► **Fig.19**

3. Push the rod gently until the piston touches the bottom of cartridge.

To remove the cartridge, follow the installation procedure in reverse.

Installing cartridge to 600 ml or 800 ml size holder

NOTICE: Make sure that piston A (for 600 ml size holder) or piston D (for 800 ml size holder) is attached to the rod. Do not use other type of piston for cartridge.

1. Remove the holder cap from the holder, and then pull the rod handle backward slowly until it stops.

► **Fig.20:** 1. Holder cap 2. Rod handle

2. Insert the cartridge into the holder.

► **Fig.21:** 1. Holder

3. Attach the holder cap by turning it firmly while holding the holder.

► **Fig.22:** 1. Holder cap 2. Holder

4. Push the rod gently until the piston touches the bottom of cartridge.

To remove the cartridge, follow the installation procedure in reverse.

Using film type package

Preparing package for use

Cut off the tip of the package.

► **Fig.23**

NOTICE: Be sure to check the package for damage before installation. Using the damaged package may cause malfunction.

Installing film type package to 600 ml or 800 ml size holder

NOTICE: Make sure that piston B (for 600 ml size holder) or piston E (for 800 ml size holder) is attached to the rod. Do not use other type of piston for film type package.

1. Remove the holder cap, nozzle, and rubber ring from the holder.

► **Fig.24:** 1. Holder cap 2. Nozzle 3. Rubber ring
4. Holder

2. Pull the rod handle backward slowly until it stops.

3. Insert the package into the holder.

► **Fig.25:** 1. Holder

4. Attach the rubber ring, nozzle, and holder cap by turning the holder cap firmly.

► **Fig.26:** 1. Holder cap 2. Nozzle 3. Rubber ring
4. Holder

5. Push the rod gently until the piston touches the package.

To remove the package, remove the holder cap, nozzle, rubber ring, and then push the rod handle forward until it stops.

Direct filling

NOTICE: Make sure that 600 ml size holder is attached to the holder joint and piston C is attached to the rod. Do not use other type of holder and piston for direct filling.

1. Remove the holder cap, nozzle, and rubber ring from the holder.
▶ **Fig.27:** 1. Holder cap 2. Nozzle 3. Rubber ring 4. Holder
2. Push the rod handle all the way until it stops.
3. Insert the tip of the holder into the caulking material, and then pull the rod handle slowly to fill the holder with the caulking material.
▶ **Fig.28:** 1. Holder
4. Attach the rubber ring, nozzle, and holder cap by turning the holder cap firmly.
▶ **Fig.29:** 1. Holder cap 2. Nozzle 3. Rubber ring 4. Holder

Caulking operation

Pull the trigger to feed the caulking material. Put one hand under the holder to support the tool while operating it. After the operation, wipe off the caulking material from the tool. Be sure to remove the caulking material before it becomes solid.

NOTE: At the beginning of operation, set the speed adjusting dial to "1" and pull the switch trigger slowly to check how much amount of caulking material is fed.

NOTE: Depending on the type and conditions of caulking material, it may not be fed at low speed. In this case, set the speed adjusting dial higher.

NOTE: If the caulking material is not fed, check the following points:

- The tip of cartridge nozzle is not cut adequately.
- The caulking material is solid and clogged in the nozzle.
- The cartridge or package is damaged.
- The caulking material is stiff. Warm the material until it becomes soft.
- The attached piston is not appropriate for the type of caulking material.

MAINTENANCE

CAUTION: Always be sure that the tool is switched off and the battery cartridge is removed before attempting to perform inspection or maintenance.

NOTICE: Never use gasoline, benzine, thinner, alcohol or the like. Discoloration, deformation or cracks may result.

To maintain product SAFETY and RELIABILITY, repairs, any other maintenance or adjustment should be performed by Makita Authorized or Factory Service Centers, always using Makita replacement parts.

OPTIONAL ACCESSORIES

CAUTION: These accessories or attachments are recommended for use with your Makita tool specified in this manual. The use of any other accessories or attachments might present a risk of injury to persons. Only use accessory or attachment for its stated purpose.

If you need any assistance for more details regarding these accessories, ask your local Makita Service Center.

- Piston A
- Piston B
- Piston C
- Piston D
- Piston E
- 300ml size holder set
- 600ml size holder set
- 800ml size holder set
- Nozzle (for 600 ml size holder)
- Nozzle (for 800 ml size holder)
- Safety goggles
- Makita genuine battery and charger

NOTE: Some items in the list may be included in the tool package as standard accessories. They may differ from country to country.

SPÉCIFICATIONS

Modèle :		CG100D
Force d'avance maximale		5 000 N
Vitesse d'avance		0 à 28 mm/s
Course	Support de 300 ml	214 mm
	Support de 600 ml	350 mm
	Support de 800 ml	294 mm
Longueur totale	Support de 300 ml	404 mm
	Support de 600 ml	538 mm
	Support de 800 ml	480 mm
Tension nominale		10,8 V - 12 V c.c. max.
Batterie standard		BL1015 / BL1016 / BL1020B / BL1021B / BL1040B / BL1041B
Chargeur		DC10SA / DC10SB / DC10WC / DC10WD
Poids net		1,9 à 2,6 kg

- Étant donné l'évolution constante de notre programme de recherche et de développement, les spécifications contenues dans ce manuel sont sujettes à modification sans préavis.
- Les spécifications et la batterie peuvent être différentes suivant les pays.
- Le poids peut être différent selon les accessoires, notamment la batterie. Les associations la plus légère et la plus lourde, conformément à la procédure EPTA 01/2014, sont indiquées dans le tableau.

Utilisations

Cet outil est conçu pour appliquer du mastic sur des surfaces.

Bruit

Niveau de bruit pondéré A typique, déterminé selon EN62841 :

Niveau de pression sonore (L_{pA}) : 70 dB (A) ou moins
Incertitude (K) : 3 dB (A)

Le niveau de bruit en fonctionnement peut dépasser 80 dB (A).

AVERTISSEMENT : Portez un serre-tête antibruit.

Vibrations

Valeur totale de vibrations (somme de vecteur triaxial) déterminée selon EN62841 :

Mode de travail : fonctionnement à vide

Émission de vibrations (a_n) : 2,5 m/s² ou moins

Incertitude (K) : 1,5 m/s²

NOTE : La valeur d'émission de vibrations déclarée a été mesurée conformément à la méthode de test standard et peut être utilisée pour comparer les outils entre eux.

NOTE : La valeur d'émission de vibrations déclarée peut aussi être utilisée pour l'évaluation préliminaire de l'exposition.

AVERTISSEMENT : L'émission de vibrations lors de l'usage réel de l'outil électrique peut être différente de la valeur d'émission déclarée, suivant la façon dont l'outil est utilisé.

AVERTISSEMENT : Les mesures de sécurité à prendre pour protéger l'utilisateur doivent être basées sur une estimation de l'exposition dans des conditions réelles d'utilisation (en tenant compte de toutes les composantes du cycle d'utilisation, comme par exemple le moment de sa mise hors tension, lorsqu'il tourne à vide et le moment de son déclenchement).

Déclaration de conformité CE

Pour les pays européens uniquement

La déclaration de conformité CE est fournie en Annexe A à ce mode d'emploi.

CONSIGNES DE SÉCURITÉ

Consignes de sécurité générales pour outils électriques

AVERTISSEMENT : Veuillez lire les consignes de sécurité, instructions, illustrations et spécifications qui accompagnent cet outil électrique. Le non-respect de toutes les instructions indiquées ci-dessous peut entraîner une électrocution, un incendie et/ou de graves blessures.

Conservez toutes les mises en garde et instructions pour référence ultérieure.

Le terme « outil électrique » dans les avertissements fait référence à l'outil électrique alimenté par le secteur (avec cordon d'alimentation) ou à l'outil électrique fonctionnant sur batterie (sans cordon d'alimentation).

Consignes de sécurité pour pistolet à mastic sans fil

1. Maintenez vos mains et vos vêtements à l'écart de la zone de la tige et du piston. Vous pourriez autrement vous pincer.
2. Tenez l'outil fermement.
3. Travaillez toujours dans une zone bien aérée et portez des protections appropriées à l'opération.
4. Lisez et suivez les instructions du fabricant concernant le mastic ou la colle avant utilisation.

CONSERVEZ CES INSTRUCTIONS.

⚠ AVERTISSEMENT : NE vous laissez PAS tromper (au fil d'une utilisation répétée) par un sentiment d'aisance et de familiarité avec le produit, en négligeant le respect rigoureux des consignes de sécurité qui accompagnent le produit en question. La MAUVAISE UTILISATION de l'outil ou l'ignorance des consignes de sécurité indiquées dans ce mode d'emploi peut entraîner de graves blessures.

Consignes de sécurité importantes pour la batterie

1. Avant d'utiliser la batterie, lisez toutes les instructions et précautions relatives (1) au chargeur de batterie, (2) à la batterie, et (3) au produit utilisant la batterie.
2. Ne démontez pas la batterie.
3. Cessez immédiatement l'utilisation si le temps de fonctionnement devient excessivement court. Il y a risque de surchauffe, de brûlures, voire d'explosion.
4. Si l'électrolyte pénètre dans vos yeux, rincez-les à l'eau claire et consultez immédiatement un médecin. Il y a risque de perte de la vue.
5. Ne court-circuitez pas la batterie :
 - (1) Ne touchez les bornes avec aucun matériau conducteur.
 - (2) Évitez de ranger la batterie dans un conteneur avec d'autres objets métalliques, par exemple des clous, des pièces de monnaie, etc.
 - (3) N'exposez pas la batterie à l'eau ou à la pluie.

Un court-circuit de la batterie peut provoquer une intensité de courant élevée, une surchauffe, parfois des brûlures et même une panne.

6. Ne rangez pas l'outil et la batterie dans un endroit où la température risque d'atteindre ou de dépasser 50 °C.
7. Ne jetez pas la batterie au feu même si elle est sérieusement endommagée ou complètement épuisée. La batterie peut exploser au contact du feu.
8. Évitez de laisser tomber ou de cogner la batterie.
9. N'utilisez pas la batterie si elle est endommagée.
10. Les batteries au lithium-ion contenues sont soumises aux exigences de la législation sur les marchandises dangereuses.

Lors du transport commercial par des tierces parties ou des transitaires par exemple, des exigences spécifiques en matière d'étiquetage et d'emballage doivent être respectées. Pour la préparation de l'article expédié, il est nécessaire de consulter un expert en matériau dangereux. Veuillez également respecter les réglementations nationales susceptibles d'être plus détaillées.

Recouvrez les contacts exposés avec du ruban adhésif ou du ruban de masquage et emballez la batterie de telle sorte qu'elle ne puisse pas bouger dans l'emballage.
11. Suivez les réglementations locales en matière de mise au rebut des batteries.

CONSERVEZ CES INSTRUCTIONS.

⚠ ATTENTION : N'utilisez que des batteries Makita d'origine. L'utilisation de batteries de marque autre que Makita ou de batteries modifiées peut provoquer l'explosion des batteries, ce qui présente un risque d'incendie, de dommages matériels et corporels. Cela annulera également la garantie Makita pour l'outil et le chargeur Makita.

Conseils pour assurer la durée de vie optimale de la batterie

1. Chargez la batterie avant qu'elle ne soit complètement déchargée. Arrêtez toujours l'outil et rechargez la batterie quand vous remarquez que la puissance de l'outil diminue.
2. Ne rechargez jamais une batterie complètement chargée. La surcharge réduit la durée de service de la batterie.
3. Chargez la batterie à une température ambiante comprise entre 10 °C et 40 °C. Avant de charger une batterie chaude, laissez-la refroidir.

DESCRIPTION DU FONCTIONNEMENT

ATTENTION : Assurez-vous toujours que l'outil est hors tension et que sa batterie est retirée avant de l'ajuster ou de vérifier son fonctionnement.

Insertion ou retrait de la batterie

ATTENTION : Éteignez toujours l'outil avant de mettre en place ou de retirer la batterie.

ATTENTION : Tenez fermement l'outil et la batterie lors de la mise en place ou du retrait de la batterie. Si vous ne tenez pas fermement l'outil et la batterie, ils peuvent vous glisser des mains, et s'abîmer ou vous blesser.

► Fig.1: 1. Voyant rouge 2. Bouton 3. Batterie

Pour retirer la batterie, faites-la glisser hors de l'outil tout en faisant glisser le bouton à l'avant de la batterie.

Pour mettre en place la batterie, alignez la languette sur la batterie avec la rainure sur le compartiment et insérez-la. Insérez-la à fond jusqu'à ce qu'un léger déclic se fasse entendre. Si le voyant rouge sur le dessus du bouton est visible, cela signifie qu'elle n'est pas bien verrouillée.

ATTENTION : Insérez toujours complètement la batterie jusqu'à ce que le voyant rouge ne soit plus visible. Sinon, elle pourrait tomber accidentellement de l'outil, au risque de vous blesser ou de blesser quelqu'un se trouvant près de vous.

ATTENTION : N'insérez pas la batterie de force. Si elle ne glisse pas facilement, c'est que vous ne l'insérez pas correctement.

Système de protection de la batterie

L'outil est équipé d'un système de protection de la batterie. Ce système coupe automatiquement le courant de l'outil pour prolonger la durée de service de la batterie.

L'outil s'arrêtera automatiquement en cours d'utilisation si l'outil et/ou la batterie se trouve dans l'une ou l'autre des situations suivantes :

Surcharge :

L'outil est utilisé de manière telle qu'il consomme un courant anormalement élevé.

Dans ce cas, éteignez l'outil et arrêtez la tâche ayant provoqué la surcharge de l'outil. Puis rallumez l'outil pour reprendre la tâche.

Si l'outil ne démarre pas, c'est que la batterie a surchauffé. Dans ce cas, laissez la batterie refroidir avant de rallumer l'outil.

Faible tension de la batterie :









La charge restante de la batterie est trop faible et l'outil ne fonctionne pas. Si vous mettez l'outil sous tension, le moteur redémarre, mais s'arrête rapidement. Le cas échéant, retirez et rechargez la batterie.

Indication de la charge restante de la batterie

Uniquement pour les batteries avec voyant lumineux

► Fig.2: 1. Témoins 2. Bouton de vérification

Appuyez sur le bouton de vérification sur la batterie pour indiquer la charge restante de la batterie. Les témoins s'allument pendant quelques secondes.

Témoins		Charge restante
Allumé	Éteint	
		75 % à 100 %
		50 % à 75 %
		25 % à 50 %
		0 % à 25 %

NOTE : Selon les conditions d'utilisation et la température ambiante, l'indication peut être légèrement différente de la capacité réelle.

Fonctionnement de la gâchette

AVERTISSEMENT : Avant d'insérer la batterie dans l'outil, vérifiez toujours que la gâchette fonctionne bien et revient en position d'arrêt lorsque vous la relâchez.

► Fig.3: 1. Gâchette 2. Bouton de verrouillage de la gâchette

Pour éviter tout déclenchement accidentel de la gâchette, l'outil est muni d'un bouton de verrouillage de la gâchette. Pour démarrer l'outil, appuyez sur le côté A du bouton de verrouillage de la gâchette et enclenchez la gâchette. La vitesse de l'outil augmente à mesure que vous augmentez la pression sur la gâchette. Pour l'arrêter, relâchez la gâchette. Après utilisation, appuyez sur le côté B du bouton de verrouillage de la gâchette.

Cadran de réglage de la vitesse

► Fig.4: 1. Cadran de réglage de la vitesse

La vitesse de l'outil peut être réglée en tournant le cadran de réglage de la vitesse. Vous pouvez obtenir la vitesse la plus élevée en sélectionnant 5 et la vitesse la plus basse en sélectionnant 1.

REMARQUE : Ne tournez pas rapidement le cadran lorsque l'outil fonctionne.

REMARQUE : Selon le type et l'état du mastic, il peut ne pas être dispensé à basse vitesse. Dans ce cas, réglez le cadran de réglage de la vitesse sur une valeur supérieure.

REMARQUE : Lorsque vous faites passer le cadran de vitesse de « 5 » à « 1 », tournez le cadran dans le sens inverse des aiguilles d'une montre. Ne forcez pas en tournant le cadran dans le sens des aiguilles d'une montre.

Allumage de la lampe avant

⚠ ATTENTION : Évitez de regarder directement le faisceau lumineux ou sa source.

► Fig.5: 1. Lampe

Pour allumer la lampe, enclenchez légèrement la gâchette, puis relâchez-la. La lampe s'éteint environ 10 secondes après avoir relâché la gâchette.

REMARQUE : Lorsque l'outil est en surchauffe, le voyant clignote. Laissez l'outil refroidir totalement avant de le réutiliser.

NOTE : Retirez la saleté sur la lentille de la lampe avec un chiffon sec. Prenez soin de ne pas érafler la lentille de la lampe sous peine de diminuer son éclairage.

Témoin d'avertissement de surcharge

► Fig.6: 1. Témoin d'avertissement

Le témoin d'avertissement clignote lorsque l'outil est considérablement chargé. Si la charge augmente entraînant une surcharge de l'outil, celui-ci s'arrête automatiquement et le témoin d'avertissement s'allume en continu. Dans ce cas, relâchez la gâchette, éliminez la cause de la surcharge, puis redémarrez l'outil.

NOTE : Lorsque le témoin d'avertissement clignote, vérifiez les points suivants :

- Le mastic est coincé.
- Le cadran de réglage de la vitesse est réglé sur la vitesse élevée.
- La partie découpée de la pointe de la buse pour cartouche ou du tube de film plastique est trop petite.

Fonction anti-goutte

Le moteur continue à tourner pendant un bref instant même après avoir relâché la gâchette. Cette fonction relâche la pression du mastic et empêche les gouttes.

ASSEMBLAGE

⚠ ATTENTION : Assurez-vous toujours que l'outil est hors tension et que sa batterie est retirée avant d'effectuer toute tâche dessus.

Installation ou retrait du support de 300 ml

Installation ou retrait du joint du support

Fixez le joint du support et la plaque en vissant fermement les vis. Pour retirer le joint du support, suivez la procédure d'installation dans le sens inverse.

► Fig.7: 1. Vis 2. Plaque 3. Joint du support

Installation ou retrait de la tige et du piston

1. Insérez la tige par l'arrière de l'outil avec ses dents tournées vers le bas.

► Fig.8: 1. Tige courte

2. Fixez le piston A avec la vis.

► Fig.9: 1. Vis 2. Piston A 3. Tige courte

REMARQUE : Seules les cartouches de mastic peuvent être utilisées avec le support de 300 ml. Veillez à fixer le piston A sur la tige.

Pour retirer la tige et le piston, suivez la procédure d'installation dans le sens inverse.

Installation ou retrait du support

⚠ ATTENTION : Fixez fermement le support au joint du support. Le support pourrait autrement se détacher pendant le fonctionnement, ce qui présente un risque de blessure.

Pour installer le support, tournez-le fermement dans le sens des aiguilles d'une montre jusqu'à ce qu'il s'arrête tout en tenant le joint du support. Pour retirer le support, suivez la procédure d'installation dans le sens inverse.

► Fig.10: 1. Support

Installation ou retrait du support de 600 ou 800 ml

Installation ou retrait du joint du support

Fixez le joint du support et la plaque en vissant fermement les vis. Pour retirer le joint du support, suivez la procédure d'installation dans le sens inverse.

Pour le support de 600 ml






► Fig.11: 1. Vis 2. Plaque 3. Joint du support

Pour le support de 800 ml

► Fig.12: 1. Vis 2. Joint du support et plaque

Sélection du type de piston

Sélectionnez le type de piston adéquat selon le contenant de mastic en vous reportant au tableau suivant.

	Support de 600 ml	Support de 800 ml
Cartouche	Piston A 	Piston D 
Tube de film plastique	Piston B 	Piston E* 
Pompage direct	Piston C 	-

*. Accessoire en option

Installation ou retrait de la tige et du piston

1. Insérez la tige par l'arrière de l'outil avec ses dents tournées vers le bas.

► Fig.13: 1. Tige longue ou tige noire

REMARQUE : Pour le support de 600 ml, utilisez la tige longue. Pour le support de 800 ml, utilisez la tige noire.

2. Fixez le piston avec la vis.

► Fig.14: 1. Vis 2. Piston 3. Tige longue ou tige noire

Pour retirer la tige et le piston, suivez la procédure d'installation dans le sens inverse.

Installation ou retrait du support de 600 ou 800 ml

ATTENTION : Fixez fermement le support au joint du support. Le support pourrait autrement se détacher pendant le fonctionnement, ce qui présente un risque de blessure.

Pour installer le support, tournez-le fermement dans le sens des aiguilles d'une montre jusqu'à ce qu'il s'arrête tout en tenant le joint du support.

► Fig.15: 1. Support

Pour retirer le support, suivez la procédure d'installation dans le sens inverse.

UTILISATION

Utilisation d'une cartouche

Préparation de la cartouche à utiliser

1. Découpez la pointe de la buse pour cartouche de sorte qu'une quantité suffisante de mastic soit dispensée.

► Fig.16: 1. Buse

2. Faites un trou dans le film protecteur avec la pointe de la buse.

► Fig.17: 1. Buse

3. Fixez la buse sur la cartouche.

REMARQUE : Pensez à vérifier que la cartouche n'est pas endommagée avant de la mettre en place. L'utilisation d'une cartouche endommagée peut entraîner un dysfonctionnement.

REMARQUE : Lorsque vous réutilisez une cartouche partiellement usagée, veillez à bien retirer le mastic dur avant de la mettre en place.

Installation d'une cartouche sur le support de 300 ml

REMARQUE : Assurez-vous que le piston A est fixé sur la tige. N'utilisez pas un autre type de piston pour la cartouche.

1. Tirez lentement la poignée de la tige vers l'arrière jusqu'à ce qu'elle s'arrête.

► Fig.18: 1. Poignée de la tige

2. Installez la cartouche dans le support comme illustré sur la figure.

► Fig.19

3. Poussez délicatement la tige jusqu'à ce que le piston touche le fond de la cartouche.

Pour retirer la cartouche, suivez la procédure d'installation dans le sens inverse.

Installation d'une cartouche sur le support de 600 ou 800 ml

REMARQUE : Assurez-vous que le piston A (pour le support de 600 ml) ou le piston D (pour le support de 800 ml) est fixé sur la tige. N'utilisez pas un autre type de piston pour la cartouche.

1. Retirez le bouchon du support, puis tirez lentement la poignée de la tige vers l'arrière jusqu'à ce qu'elle s'arrête.

► Fig.20: 1. Bouchon du support 2. Poignée de la tige

2. Insérez la cartouche dans le support.

► Fig.21: 1. Support

3. Fixez le bouchon du support en le tournant fermement tout en maintenant le support.

► Fig.22: 1. Bouchon du support 2. Support

4. Poussez délicatement la tige jusqu'à ce que le piston touche le fond de la cartouche.

Pour retirer la cartouche, suivez la procédure d'installation dans le sens inverse.

Utilisation d'un tube de film plastique

Préparation du tube à utiliser

Découpez la pointe du tube.

► Fig.23

REMARQUE : Pensez à vérifier que le tube n'est pas endommagé avant de le mettre en place. L'utilisation d'un tube endommagé peut entraîner un dysfonctionnement.

Installation d'un tube de film plastique sur le support de 600 ou 800 ml

REMARQUE : Assurez-vous que le piston B (pour le support de 600 ml) ou le piston E (pour le support de 800 ml) est fixé sur la tige. N'utilisez pas un autre type de piston pour le tube de film plastique.

1. Retirez le bouchon du support, la buse et la bague en caoutchouc du support.

► Fig.24: 1. Bouchon du support 2. Buse 3. Bague en caoutchouc 4. Support

2. Tirez lentement la poignée de la tige vers l'arrière jusqu'à ce qu'elle s'arrête.

3. Insérez le tube dans le support.

► **Fig.25:** 1. Support

4. Fixez la bague en caoutchouc, la buse et le bouchon du support en tournant fermement le bouchon du support.

► **Fig.26:** 1. Bouchon du support 2. Buse 3. Bague en caoutchouc 4. Support

5. Poussez délicatement la tige jusqu'à ce que le piston touche le tube.

Pour retirer le tube, retirez le bouchon du support, la buse, la bague en caoutchouc puis poussez la poignée de la tige vers l'avant jusqu'à ce qu'elle s'arrête.

Pompage direct

REMARQUE : Assurez-vous que le support de 600 ml est fixé sur le joint du support et que le piston C est fixé sur la tige. N'utilisez pas un autre type de support et de piston pour le pompage direct.

1. Retirez le bouchon du support, la buse et la bague en caoutchouc du support.

► **Fig.27:** 1. Bouchon du support 2. Buse 3. Bague en caoutchouc 4. Support

2. Poussez la poignée de la tige à fond jusqu'à ce qu'elle s'arrête.

3. Insérez la pointe du support dans le mastic, puis tirez lentement la poignée de la tige pour remplir le support de mastic.

► **Fig.28:** 1. Support

4. Fixez la bague en caoutchouc, la buse et le bouchon du support en tournant fermement le bouchon du support.

► **Fig.29:** 1. Bouchon du support 2. Buse 3. Bague en caoutchouc 4. Support

Masticage

Enclenchez la gâchette pour dispenser le mastic. Placez une main sous le support pour soutenir l'outil pendant que vous l'utilisez.

Une fois terminé, essayez le mastic sur l'outil. Veillez à bien retirer le mastic avant qu'il ne durcisse.

NOTE : Au début, réglez le cadran de réglage de la vitesse sur « 1 » et enclenchez lentement la gâchette pour voir la quantité de mastic dispensée.

NOTE : Selon le type et l'état du mastic, il peut ne pas être dispensé à basse vitesse. Dans ce cas, réglez le cadran de réglage de la vitesse sur une valeur supérieure.

NOTE : Si le mastic n'est pas dispensé, vérifiez les points suivants :

- La pointe de la buse pour cartouche n'est pas correctement découpée.
- Le mastic est dur et coincé dans la buse.
- La cartouche ou le tube est endommagé.
- Le mastic est rigide. Chauffez-le jusqu'à ce qu'il se ramollisse.
- Le piston fixé ne convient pas au type de mastic.

ENTRETIEN

ATTENTION : Assurez-vous toujours que l'outil est hors tension et que la batterie est retirée avant d'y effectuer tout travail d'inspection ou d'entretien.

REMARQUE : N'utilisez jamais d'essence, benzine, diluant, alcool ou autre produit similaire. Cela risquerait de provoquer la décoloration, la déformation ou la fissuration de l'outil.

Pour assurer la SÉCURITÉ et la FIABILITÉ du produit, toute réparation, tout travail d'entretien ou de réglage doivent être effectués par un centre d'entretien Makita agréé, avec des pièces de rechange Makita.

ACCESSOIRES EN OPTION

ATTENTION : Ces accessoires ou pièces complémentaires sont recommandés pour l'utilisation avec l'outil Makita spécifié dans ce mode d'emploi. L'utilisation de tout autre accessoire ou pièce complémentaire peut comporter un risque de blessure. N'utilisez les accessoires ou pièces complémentaires qu'aux fins auxquelles ils ont été conçus.

Pour obtenir plus de détails sur ces accessoires, contactez votre centre d'entretien local Makita.

- Piston A
- Piston B
- Piston C
- Piston D
- Piston E
- Ensemble du support de 300 ml
- Ensemble du support de 600 ml
- Ensemble du support de 800 ml
- Buse (pour le support de 600 ml)
- Buse (pour le support de 800 ml)
- Lunettes à coques
- Batterie et chargeur Makita d'origine

NOTE : Il se peut que certains éléments de la liste soient compris dans l'emballage de l'outil en tant qu'accessoires standard. Ils peuvent varier d'un pays à l'autre.

TECHNISCHE DATEN

Modell:		CG100D
Maximale Vorschubkraft		5.000 N
Vorschubgeschwindigkeit		0 - 28 mm/s
Hub	300-ml-Halter	214 mm
	600-ml-Halter	350 mm
	800-ml-Halter	294 mm
Gesamtlänge	300-ml-Halter	404 mm
	600-ml-Halter	538 mm
	800-ml-Halter	480 mm
Nennspannung		10,8 V - 12 V Gleichstrom
Standard-Akku		BL1015 / BL1016 / BL1020B / BL1021B / BL1040B / BL1041B
Ladegerät		DC10SA / DC10SB / DC10WC / DC10WD
Nettogewicht		1,9 - 2,6 kg

- Wir behalten uns vor, Änderungen der technischen Daten im Zuge der Entwicklung und des technischen Fortschritts ohne vorherige Ankündigung vorzunehmen.
- Die technischen Daten und der Akku können von Land zu Land unterschiedlich sein.
- Das Gewicht kann abhängig von dem Aufsatz (den Aufsätzen), einschließlich des Akkus, unterschiedlich sein. Die leichteste und die schwerste Kombination, gemäß dem EPTA-Verfahren 01/2014, sind in der Tabelle angegeben.

Vorgesehene Verwendung

Dieses Werkzeug ist für das Auftragen von Dichtungsmasse auf Oberflächen vorgesehen.

Geräusch

Typischer A-bewerteter Geräuschpegel ermittelt gemäß EN62841:

Schalldruckpegel (L_{pA}): 70 dB (A) oder weniger
Messunsicherheit (K): 3 dB (A)

Der Geräuschpegel kann während des Betriebs 80 dB (A) überschreiten.

⚠️ WARNUNG: Einen Gehörschutz tragen.

Schwingungen

Schwingungsgesamtwert (Drei-Achsen-Vektorsumme) ermittelt gemäß EN62841:

Arbeitsmodus: Leerlaufbetrieb
Schwingungsemission (a_n): 2,5 m/s² oder weniger
Messunsicherheit (K): 1,5 m/s²

HINWEIS: Der angegebene Schwingungsemissionswert wurde im Einklang mit der Standardprüfmethode gemessen und kann für den Vergleich zwischen Werkzeugen herangezogen werden.

HINWEIS: Der angegebene Schwingungsemissionswert kann auch für eine Vorbewertung des Gefährdungsgrads verwendet werden.

⚠️ WARNUNG: Die Schwingungsemission während der tatsächlichen Benutzung des Elektrowerkzeugs kann je nach der Benutzungsweise des Werkzeugs vom angegebenen Emissionswert abweichen.

⚠️ WARNUNG: Identifizieren Sie Sicherheitsmaßnahmen zum Schutz des Benutzers anhand einer Schätzung des Gefährdungsgrads unter den tatsächlichen Benutzungsbedingungen (unter Berücksichtigung aller Phasen des Arbeitszyklus, wie z. B. Ausschalt- und Leerlaufzeiten des Werkzeugs zusätzlich zur Betriebszeit).

EG-Konformitätserklärung

Nur für europäische Länder

Die EG-Konformitätserklärung ist als Anhang A in dieser Bedienungsanleitung enthalten.

SICHERHEITSWARNUNGEN

Allgemeine Sicherheitswarnungen für Elektrowerkzeuge

⚠️ WARNUNG: Lesen Sie alle mit diesem Elektrowerkzeug gelieferten Sicherheitswarnungen, Anweisungen, Abbildungen und technischen Daten durch. Eine Missachtung der unten aufgeführten Anweisungen kann zu einem elektrischen Schlag, Brand und/oder schweren Verletzungen führen.

Bewahren Sie alle Warnungen und Anweisungen für spätere Bezugnahme auf.

Der Ausdruck „Elektrowerkzeug“ in den Warnhinweisen bezieht sich auf Ihr mit Netzstrom (mit Kabel) oder Akku (ohne Kabel) betriebenes Elektrowerkzeug.

Sicherheitswarnungen für Akku-Kartuschenpistole

1. Halten Sie Hände und Kleidungsstücke von der Stange und dem Kolbenbereich fern. Anderenfalls können Ihre Finger oder Kleidungsstücke eingeklemmt werden.
2. Halten Sie das Werkzeug mit festem Griff.
3. Arbeiten Sie immer in gut belüfteter Umgebung, und tragen Sie geeignete Schutzvorrichtungen entsprechend der anstehenden Arbeit.
4. Lesen und befolgen Sie die Herstelleranweisungen zu Dichtungsmasse oder Klebstoff vor dem Gebrauch.

DIESE ANWEISUNGEN AUFBEWAHREN.

⚠️ WARNUNG: Lassen Sie sich NICHT durch Bequemlichkeit oder Vertrautheit mit dem Produkt (durch wiederholten Gebrauch erworben) von der strikten Einhaltung der Sicherheitsregeln für das vorliegende Produkt abhalten. MISSBRAUCH oder Missachtung der Sicherheitsvorschriften in dieser Anleitung können schwere Personenschäden verursachen.

Wichtige Sicherheitsanweisungen für Akku

1. Lesen Sie vor der Benutzung des Akkus alle Anweisungen und Warnhinweise, die an (1) Ladegerät, (2) Akku und (3) Akkuwerkzeug angebracht sind.
2. Unterlassen Sie ein Zerlegen des Akkus.
3. Falls die Betriebszeit beträchtlich kürzer geworden ist, stellen Sie den Betrieb sofort ein. Anderenfalls besteht die Gefahr von Überhitzung, möglichen Verbrennungen und sogar einer Explosion.
4. Falls Elektrolyt in Ihre Augen gelangt, waschen Sie sie mit sauberem Wasser aus, und begeben Sie sich unverzüglich in ärztliche Behandlung. Anderenfalls können Sie Ihre Sehkraft verlieren.
5. Der Akku darf nicht kurzgeschlossen werden:
 - (1) Die Kontakte dürfen nicht mit leitfähigem Material berührt werden.
 - (2) Lagern Sie den Akku nicht in einem Behälter zusammen mit anderen Metallgegenständen, wie z. B. Nägeln, Münzen usw.
 - (3) Setzen Sie den Akku weder Wasser noch Regen aus.

Ein Kurzschluss des Akkus verursacht starken Stromfluss, der Überhitzung, mögliche Verbrennungen und einen Defekt zur Folge haben kann.

6. Lagern Sie das Werkzeug und den Akku nicht an Orten, an denen die Temperatur 50 °C erreichen oder überschreiten kann.
7. Versuchen Sie niemals, den Akku zu verbrennen, selbst wenn er stark beschädigt oder vollkommen verbraucht ist. Der Akku kann im Feuer explodieren.
8. Achten Sie darauf, dass der Akku nicht fallen gelassen oder Stößen ausgesetzt wird.
9. Benutzen Sie keine beschädigten Akkus.
10. Die enthaltenen Lithium-Ionen-Akkus unterliegen den Anforderungen der Gefahrgut-Gesetzgebung.

Für kommerzielle Transporte, z. B. durch Dritte oder Spediteure, müssen besondere Anforderungen zu Verpackung und Etikettierung beachtet werden.

Zur Vorbereitung des zu transportierenden Artikels ist eine Beratung durch einen Experten für Gefahrgut erforderlich. Bitte beachten Sie möglicherweise ausführlichere nationale Vorschriften. Überkleben oder verdecken Sie offene Kontakte, und verpacken Sie den Akku so, dass er sich in der Verpackung nicht umher bewegen kann.
11. Befolgen Sie die örtlichen Bestimmungen bezüglich der Entsorgung von Akkus.

DIESE ANWEISUNGEN AUFBEWAHREN.

⚠️ VORSICHT: Verwenden Sie nur Original-Makita-Akkus. Die Verwendung von Nicht-Original-Makita-Akkus oder von Akkus, die abgeändert worden sind, kann zum Bersten des Akkus und daraus resultierenden Bränden, Personenschäden und Beschädigung führen. Außerdem wird dadurch die Makita-Garantie für das Makita-Werkzeug und -Ladegerät ungültig.

Hinweise zur Aufrechterhaltung der maximalen Akku-Nutzungsdauer

1. Laden Sie den Akku, bevor er vollkommen erschöpft ist. Schalten Sie das Werkzeug stets aus, und laden Sie den Akku, wenn Sie ein Nachlassen der Werkzeugleistung feststellen.
2. Unterlassen Sie erneutes Laden eines voll aufgeladenen Akkus. Überladen führt zu einer Verkürzung der Nutzungsdauer des Akkus.
3. Laden Sie den Akku bei Raumtemperatur zwischen 10 – 40 °C. Lassen Sie einen heißen Akku abkühlen, bevor Sie ihn laden.

FUNKTIONSBESCHREIBUNG

⚠ VORSICHT: Vergewissern Sie sich vor der Durchführung von Einstellungen oder Funktionsprüfungen des Werkzeugs stets, dass das Werkzeug ausgeschaltet und der Akku abgenommen ist.

Anbringen und Abnehmen des Akkus

⚠ VORSICHT: Schalten Sie das Werkzeug stets aus, bevor Sie den Akku anbringen oder abnehmen.

⚠ VORSICHT: Halten Sie das Werkzeug und den Akku beim Anbringen oder Abnehmen des Akkus sicher fest. Wenn Sie das Werkzeug und den Akku nicht sicher festhalten, können sie Ihnen aus der Hand rutschen, was zu einer Beschädigung des Werkzeugs und des Akkus und zu Körperverletzungen führen kann.

► **Abb.1:** 1. Rote Anzeige 2. Knopf 3. Akku

Ziehen Sie den Akku zum Abnehmen vom Werkzeug ab, während Sie den Knopf an der Vorderseite des Akkus verschieben.

Richten Sie zum Anbringen des Akkus dessen Führungsfeder auf die Nut im Gehäuse aus, und schieben Sie den Akku hinein. Schieben Sie ihn vollständig ein, bis er mit einem hörbaren Klicken einrastet. Falls die rote Anzeige an der Oberseite des Knopfes sichtbar ist, ist der Akku nicht vollständig verriegelt.

⚠ VORSICHT: Schieben Sie den Akku stets bis zum Anschlag ein, bis die rote Anzeige nicht mehr sichtbar ist. Anderenfalls kann er aus dem Werkzeug herausfallen und Sie oder umstehende Personen verletzen.

⚠ VORSICHT: Unterlassen Sie Gewaltanwendung beim Anbringen des Akkus. Falls der Akku nicht reibungslos hineingleitet, ist er nicht richtig ausgerichtet.

Akku-Schutzsystem

Das Werkzeug ist mit einem Akku-Schutzsystem ausgestattet. Dieses System schaltet die Stromversorgung des Motors automatisch ab, um die Akku-Lebensdauer zu verlängern.

Das Werkzeug schaltet sich während des Betriebs automatisch ab, wenn Werkzeug und/oder Akku einer der folgenden Bedingungen unterliegen:

Überlastung:

Das Werkzeug wird auf eine Weise benutzt, die eine ungewöhnlich hohe Stromaufnahme bewirkt. Schalten Sie in dieser Situation das Werkzeug aus, und brechen Sie die Arbeit ab, die eine Überlastung des Werkzeugs verursacht hat. Schalten Sie dann das Werkzeug wieder ein, um neu zu starten. Falls das Werkzeug nicht startet, ist der Akku überhitzt. Lassen Sie den Akku in dieser Situation abkühlen, bevor Sie das Werkzeug wieder einschalten.

Niedrige Akkuspannung:









Die Akku-Restkapazität ist zu niedrig, und das Werkzeug funktioniert nicht. Wenn Sie das Werkzeug einschalten, läuft der Motor wieder an, bleibt aber bald darauf stehen. Nehmen Sie in dieser Situation den Akku ab, und laden Sie ihn auf.

Anzeigen der Akku-Restkapazität

Nur für Akkus mit Anzeige

► **Abb.2:** 1. Anzeigelampen 2. Prüftaste

Drücken Sie die Prüftaste am Akku, um die Akku-Restkapazität anzuzeigen. Die Anzeigelampen leuchten wenige Sekunden lang auf.

Anzeigelampen		Restkapazität
Erleuchtet	Aus	
		75% bis 100%
		50% bis 75%
		25% bis 50%
		0% bis 25%

HINWEIS: Abhängig von den Benutzungsbedingungen und der Umgebungstemperatur kann die Anzeige geringfügig von der tatsächlichen Kapazität abweichen.

Schalterfunktion

⚠ WARNUNG: Vergewissern Sie sich vor dem Einsetzen des Akkus in das Werkzeug stets, dass der Ein-Aus-Schalter ordnungsgemäß funktioniert und beim Loslassen in die AUS-Stellung zurückkehrt.

► **Abb.3:** 1. Auslöseschalter 2. Auslösersperrknopf

Um versehentliche Betätigung des Auslöseschalters zu verhüten, ist das Werkzeug mit einem Auslösersperrknopf ausgestattet.

Um das Werkzeug zu starten, drücken Sie den Auslösersperrknopf auf der Seite A hinein, und betätigen Sie den Auslöseschalter. Die Hubzahl erhöht sich durch verstärkte Druckausübung auf den Auslöseschalter. Zum Anhalten lassen Sie den Auslöseschalter los.

Drücken Sie den Auslösersperrknopf nach der Benutzung auf der Seite B hinein.

Hubzahl-Stellrad

► **Abb.4:** 1. Hubzahl-Stellrad

Die Hubzahl kann durch Drehen des Hubzahl-Stellrads eingestellt werden. Die höchste Hubzahl erhalten Sie bei „5“, und die niedrigste bei „1“.

ANMERKUNG: Drehen Sie das Einstellrad nicht schnell, wenn das Werkzeug in Betrieb ist.

ANMERKUNG: Bei niedriger Hubzahl wird die Dichtungsmasse je nach Art und Zustand eventuell nicht zugeführt. Stellen Sie in diesem Fall das Hubzahl-Stellrad auf einen höheren Wert.

ANMERKUNG: Um die Hubzahl von „5“ bis „1“ zu ändern, drehen Sie das Stellrad entgegen dem Uhrzeigersinn. Drehen Sie das Stellrad nicht gewaltsam im Uhrzeigersinn.

Einschalten der Frontlampe

⚠ VORSICHT: Blicken Sie nicht direkt in die Lampe oder die Lichtquelle.

► **Abb.5:** 1. Lampe

Zum Einschalten der Lampe betätigen Sie den Auslöseschalter leicht, und lassen Sie ihn dann los. Die Lampe erlischt ungefähr 10 Sekunden nach dem Loslassen des Auslöseschalters.

ANMERKUNG: Bei Überhitzung des Werkzeugs blinkt die Lampe. Lassen Sie das Werkzeug vollständig abkühlen, bevor Sie es wieder in Betrieb nehmen.

HINWEIS: Wischen Sie Schmutz auf der Lampenlinse mit einem trockenen Tuch ab. Achten Sie sorgfältig darauf, dass Sie die Lampenlinse nicht verkratzen, weil sich sonst die Lichtstärke verringert.

Überlastungs-Warnlampe

► **Abb.6:** 1. Warnlampe

Bei starker Belastung des Werkzeugs blinkt die Warnlampe. Falls die Belastung zunimmt und das Werkzeug überlastet wird, bleibt das Werkzeug automatisch stehen, und die Warnlampe leuchtet ständig. Lassen Sie in diesem Fall den Auslöseschalter los, beseitigen Sie die Ursache der Überlastung, und starten Sie dann das Werkzeug erneut.

HINWEIS: Wenn die Warnlampe blinkt, überprüfen Sie die folgenden Punkte:

- Die Dichtungsmasse verstopft das Werkzeug.
- Das Hubzahl-Stellrad ist auf eine hohe Hubzahl eingestellt.
- Die Schnittfläche der Spitze der Kartuschendüse oder der Filmpackung ist zu klein.

Tropfverhütungsfunktion

Der Motor läuft selbst nach dem Loslassen des Auslösers noch kurze Zeit weiter. Dadurch wird der Druck der Dichtungsmasse abgelassen und Tropfen verhindert.

MONTAGE

⚠ VORSICHT: Vergewissern Sie sich vor der Ausführung von Arbeiten am Werkzeug stets, dass das Werkzeug ausgeschaltet und der Akku abgenommen ist.

Anbringen und Abnehmen des 300-ml-Halters

Anbringen und Abnehmen der Halterverbindung

Bringen Sie die Halterverbindung und die Platte durch festes Anziehen der Schrauben an. Zum Entfernen der Halterverbindung ist das Montageverfahren umgekehrt anzuwenden.

► **Abb.7:** 1. Schraube 2. Platte 3. Halterverbindung

Anbringen und Abnehmen von Stange und Kolben

1. Führen Sie die Stange von der Rückseite des

Werkzeugs mit nach unten gerichteten Zähnen ein.

► **Abb.8:** 1. Kurze Stange

2. Befestigen Sie den Kolben A mit der Schraube.

► **Abb.9:** 1. Schraube 2. Kolben A 3. Kurze Stange

ANMERKUNG: Für den 300-ml-Halter ist nur eine Kartusche als Dichtungsmasse-Behältertyp verfügbar. Bringen Sie unbedingt den Kolben A an der Stange an.

Zum Demontieren von Stange und Kolben ist das Montageverfahren umgekehrt anzuwenden.

Anbringen und Abnehmen des Halters

⚠ VORSICHT: Sichern Sie den Halter fest an der Halterverbindung. Anderenfalls kann sich der Halter während des Betriebs lösen und eine Verletzung verursachen.

Um den Halter zu montieren, drehen Sie ihn fest im Uhrzeigersinn bis zum Anschlag, während Sie die Halterverbindung festhalten. Zum Entfernen des Halters ist das Montageverfahren umgekehrt anzuwenden.

► **Abb.10:** 1. Halter

Anbringen und Abnehmen des 600- oder 800-ml-Halters

Anbringen und Abnehmen der Halterverbindung

Bringen Sie die Halterverbindung und die Platte durch festes Anziehen der Schrauben an. Zum Entfernen der Halterverbindung ist das Montageverfahren umgekehrt anzuwenden.

Für 600-ml-Halter






► **Abb.11:** 1. Schraube 2. Platte 3. Halterverbindung

Für 800-ml-Halter

► **Abb.12:** 1. Schraube 2. Halterverbindung und Platte

Auswählen des Kolbentyps

Wählen Sie den geeigneten Kolbentyp entsprechend dem Dichtungsmassebehälter anhand der folgenden Tabelle aus.

	600-ml-Halter	800-ml-Halter
Kartusche	Kolben A 	Kolben D 
Filmpackung	Kolben B 	Kolben E * 
Direktfüllung	Kolben C 	-

*. Sonderzubehör

Anbringen und Abnehmen von Stange und Kolben

1. Führen Sie die Stange von der Rückseite des Werkzeugs mit nach unten gerichteten Zähnen ein.
► **Abb.13:** 1. Lange Stange oder schwarze Stange

ANMERKUNG: Verwenden Sie die lange Stange für den 600-ml-Halter. Verwenden Sie die schwarze Stange für den 800-ml-Halter.

2. Befestigen Sie den Kolben mit der Schraube.
► **Abb.14:** 1. Schraube 2. Kolben 3. Lange Stange oder schwarze Stange

Zum Demontieren von Stange und Kolben ist das Montageverfahren umgekehrt anzuwenden.

Anbringen und Abnehmen des 600- oder 800-ml-Halters

⚠VORSICHT: Sichern Sie den Halter fest an der Halterverbindung. Andernfalls kann sich der Halter während des Betriebs lösen und eine Verletzung verursachen.

Um den Halter zu montieren, drehen Sie ihn fest im Uhrzeigersinn bis zum Anschlag, während Sie die Halterverbindung festhalten.

► **Abb.15:** 1. Halter

Zum Entfernen des Halters ist das Montageverfahren umgekehrt anzuwenden.

BETRIEB

Verwendung der Kartusche

Vorbereiten der Kartusche zum Gebrauch

1. Schneiden Sie die Spitze der Kartuschendüse so ab, dass eine geeignete Menge an Dichtungsmasse zugeführt wird.

► **Abb.16:** 1. Düse

2. Machen Sie mit der Spitze der Düse ein Loch in der Schutzfolie.

► **Abb.17:** 1. Düse

3. Bringen Sie die Düse an der Kartusche an.

ANMERKUNG: Überprüfen Sie die Kartusche vor der Installation unbedingt auf Beschädigung. Die Verwendung einer beschädigten Kartusche kann eine Funktionsstörung verursachen.

ANMERKUNG: Wenn Sie die teilweise verbrauchte Kartusche wieder verwenden, entfernen Sie unbedingt die feste Dichtungsmasse vor der Installation.

Anbringen der Kartusche am 300-ml-Halter

ANMERKUNG: Vergewissern Sie sich, dass Kolben A an der Stange angebracht ist. Verwenden Sie keinen anderen Kolbentyp für die Kartusche.

1. Ziehen Sie den Stangengriff langsam bis zum Anschlag zurück.

► **Abb.18:** 1. Stangengriff

2. Führen Sie die Kartusche in den Halter ein, wie in der Abbildung gezeigt.

► **Abb.19**

3. Schieben Sie die Stange sachte vor, bis der Kolben den Boden der Kartusche berührt.

Zum Entfernen der Kartusche ist das Montageverfahren umgekehrt anzuwenden.

Anbringen der Kartusche am 600- oder 800-ml-Halter

ANMERKUNG: Vergewissern Sie sich, dass Kolben A (für 600-ml-Halter) oder Kolben D (für 800-ml-Halter) an der Stange angebracht ist. Verwenden Sie keinen anderen Kolbentyp für die Kartusche.

1. Entfernen Sie die Halterkappe vom Halter, und ziehen Sie dann den Stangengriff langsam bis zum Anschlag zurück.

► **Abb.20:** 1. Halterkappe 2. Stangengriff

2. Führen Sie die Kartusche in den Halter ein.

► **Abb.21:** 1. Halter

3. Bringen Sie die Halterkappe an, indem Sie sie kräftig drehen, während Sie den Halter festhalten.

► **Abb.22:** 1. Halterkappe 2. Halter

4. Schieben Sie die Stange sachte vor, bis der Kolben den Boden der Kartusche berührt.

Zum Entfernen der Kartusche ist das Montageverfahren umgekehrt anzuwenden.

Verwendung einer Filmpackung

Vorbereiten der Packung zum Gebrauch

Schneiden Sie die Spitze der Packung ab.

► **Abb.23**

ANMERKUNG: Überprüfen Sie die Packung vor der Installation unbedingt auf Beschädigung. Die Verwendung einer beschädigten Packung kann eine Funktionsstörung verursachen.

Anbringen der Filmpackung am 600- oder 800-ml-Halter

ANMERKUNG: Vergewissern Sie sich, dass Kolben B (für 600-ml-Halter) oder Kolben E (für 800-ml-Halter) an der Stange angebracht ist. Verwenden Sie keinen anderen Kolbentyp für die Filmpackung.

1. Entfernen Sie Halterkappe, Düse und Gummiring vom Halter.

► **Abb.24:** 1. Halterkappe 2. Düse 3. Gummiring 4. Halter

2. Ziehen Sie den Stangengriff langsam bis zum Anschlag zurück.

3. Führen Sie die Packung in den Halter ein.

► **Abb.25:** 1. Halter

4. Bringen Sie Gummiring, Düse und Halterkappe an, indem Sie die Halterkappe kräftig drehen.

► **Abb.26:** 1. Halterkappe 2. Düse 3. Gummiring 4. Halter

5. Schieben Sie die Stange sachte vor, bis der Kolben die Packung berührt.

Zum Entfernen der Packung nehmen Sie Halterkappe, Düse und Gummiring ab, und schieben Sie dann den Stangengriff bis zum Anschlag vorwärts.

Direktfüllung

ANMERKUNG: Vergewissern Sie sich, dass der 600-ml-Halter an der Halterverbindung, und Kolben C an der Stange angebracht ist. Verwenden Sie keinen anderen Halter- und Kolbentyp für Direktfüllung.

1. Entfernen Sie Halterkappe, Düse und Gummiring vom Halter.

► **Abb.27:** 1. Halterkappe 2. Düse 3. Gummiring 4. Halter

2. Schieben Sie den Stangengriff vollständig bis zum Anschlag vor.

3. Führen Sie die Spitze des Halters in die Dichtungsmasse ein, und ziehen Sie dann den Stangengriff langsam, um den Halter mit der Dichtungsmasse zu füllen.

► **Abb.28:** 1. Halter

4. Bringen Sie Gummiring, Düse und Halterkappe an, indem Sie die Halterkappe kräftig drehen.

► **Abb.29:** 1. Halterkappe 2. Düse 3. Gummiring 4. Halter

Abdichtungsvorgang

Betätigen Sie den Auslöser, um die Dichtungsmasse zuzuführen. Halten Sie eine Hand unter den Halter, um das Werkzeug während der Arbeit abzustützen.

Wischen Sie die Dichtungsmasse nach der Arbeit vom Werkzeug ab. Entfernen Sie die Dichtungsmasse unbedingt, bevor Sie hart wird.

HINWEIS: Stellen Sie das Hubzahl-Stellrad zu Beginn der Arbeit auf „1“, und betätigen Sie den Auslöseschalter langsam, um zu prüfen, wie viel Dichtungsmasse zugeführt wird.

HINWEIS: Bei niedriger Hubzahl wird die Dichtungsmasse je nach Art und Zustand eventuell nicht zugeführt. Stellen Sie in diesem Fall das Hubzahl-Stellrad auf einen höheren Wert.

HINWEIS: Falls die Dichtungsmasse nicht zugeführt wird, überprüfen Sie die folgenden Punkte:

- Die Spitze der Kartuschendüse ist nicht angemessen abgeschnitten.
- Die Dichtungsmasse ist hart und verstopft die Düse.
- Die Kartusche oder Packung ist beschädigt.
- Die Dichtungsmasse ist steif. Erwärmen Sie die Masse, bis sie weich wird.
- Der angebrachte Kolben ist für die Art von Dichtungsmasse nicht geeignet.

WARTUNG

⚠VORSICHT: Vergewissern Sie sich vor der Durchführung von Inspektions- oder Wartungsarbeiten stets, dass das Werkzeug ausgeschaltet und der Akku abgenommen ist.

ANMERKUNG: Verwenden Sie auf keinen Fall Benzin, Waschbenzin, Verdünner, Alkohol oder dergleichen. Solche Mittel können Verfärbung, Verformung oder Rissbildung verursachen.

Um die SICHERHEIT und ZUVERLÄSSIGKEIT dieses Produkts zu gewährleisten, sollten Reparaturen und andere Wartungs- oder Einstellarbeiten nur von Makita-Vertragswerkstätten oder Makita-Kundendienstzentren unter ausschließlicher Verwendung von Makita-Originalersatzteilen ausgeführt werden.

SONDERZUBEHÖR

⚠ VORSICHT: Die folgenden Zubehörteile oder Vorrichtungen werden für den Einsatz mit dem in dieser Anleitung beschriebenen Makita-Werkzeug empfohlen. Die Verwendung anderer Zubehörteile oder Vorrichtungen kann eine Verletzungsgefahr darstellen. Verwenden Sie Zubehörteile oder Vorrichtungen nur für ihren vorgesehenen Zweck.

Wenn Sie weitere Einzelheiten bezüglich dieser Zubehörteile benötigen, wenden Sie sich bitte an Ihre Makita-Kundendienststelle.

- Kolben A
- Kolben B
- Kolben C
- Kolben D
- Kolben E
- 300-ml-Haltersatz
- 600-ml-Haltersatz
- 800-ml-Haltersatz
- Düse (für 600-ml-Halter)
- Düse (für 800-ml-Halter)
- Schutzbrille
- Original-Makita-Akku und -Ladegerät

HINWEIS: Manche Teile in der Liste können als Standardzubehör im Werkzeugsatz enthalten sein. Sie können von Land zu Land unterschiedlich sein.

DATI TECNICI

Modello:		CG100D
Forza di erogazione massima		5.000 N
Velocità di erogazione		0 a 28 mm/s
Corsa	Con contenitore da 300 ml	214 mm
	Con contenitore da 600 ml	350 mm
	Con contenitore da 800 ml	294 mm
Lunghezza complessiva	Con contenitore da 300 ml	404 mm
	Con contenitore da 600 ml	538 mm
	Con contenitore da 800 ml	480 mm
Tensione nominale		10,8 V - 12 V CC max
Cartuccia della batteria standard		BL1015 / BL1016 / BL1020B / BL1021B / BL1040B / BL1041B
Caricabatterie		DC10SA / DC10SB / DC10WC / DC10WD
Peso netto		1,9 - 2,6 kg

- A causa del nostro programma continuativo di ricerca e sviluppo, i dati tecnici sono soggetti a modifiche senza preavviso.
- I dati tecnici e la cartuccia della batteria potrebbero differire da nazione a nazione.
- Il peso può variare a seconda dell'accessorio o degli accessori, inclusa la cartuccia della batteria. La combinazione più leggera e quella più pesante, secondo la procedura EPTA 01/2014, sono indicate nella tabella.

Utilizzo previsto

Questo utensile è destinato all'applicazione di materiale sigillante alle superfici.

Rumore

Livello tipico di rumore pesato A determinato in base allo standard EN62841:

Livello di pressione sonora (L_{pA}): 70 dB (A) o inferiore
Incertezza (K): 3 dB (A)

Il livello del rumore nelle condizioni di lavoro può superare gli 80 dB (A).

AVVERTIMENTO: Indossare protezioni per le orecchie.

Vibrazioni

Valore totale delle vibrazioni (somma vettoriale triassiale) determinato in base allo standard EN62841:

Modalità di lavoro: funzionamento a vuoto
Emissione di vibrazioni (a_h): 2,5 m/s^2 o inferiore
Incertezza (K): 1,5 m/s^2

NOTA: Il valore di emissione delle vibrazioni dichiarato è stato misurato in conformità al metodo standard di verifica, e può essere utilizzato per confrontare un utensile con un altro.

NOTA: Il valore di emissione delle vibrazioni dichiarato può venire utilizzato anche per una valutazione preliminare dell'esposizione.

AVVERTIMENTO: L'emissione delle vibrazioni durante l'utilizzo effettivo dell'utensile elettrico può variare rispetto al valore di emissione dichiarato, a seconda dei modi in cui viene utilizzato l'utensile.

AVVERTIMENTO: Accertarsi di identificare le misure di sicurezza per la protezione dell'operatore basate sulla stima dell'esposizione nelle condizioni effettive di utilizzo (tenendo presente tutte le parti del ciclo operativo, ad esempio le volte in cui l'utensile viene spento e quando gira a vuoto, oltre al tempo di attivazione).

Dichiarazione di conformità CE

Solo per i paesi europei

La dichiarazione di conformità CE è inclusa nell'Allegato A al presente manuale di istruzioni.

AVVERTENZE DI SICUREZZA

Avvertenze generali relative alla sicurezza dell'utensile elettrico

AVVERTIMENTO: Leggere tutte le avvertenze di sicurezza, le istruzioni, le illustrazioni e i dati tecnici forniti con il presente utensile elettrico. La mancata osservanza di tutte le istruzioni elencate di seguito potrebbe risultare in scosse elettriche, incendi e/o gravi lesioni personali.

Conservare tutte le avvertenze e le istruzioni come riferimento futuro.

Il termine "utensile elettrico" nelle avvertenze si riferisce sia all'utensile elettrico (cablato) nel funzionamento alimentato da rete elettrica che all'utensile elettrico (a batteria) nel funzionamento alimentato a batteria.

Avvertenze di sicurezza relative alla pistola per sigillante a batteria

1. Tenere le mani e gli indumenti lontani dall'area dell'asta e dello stantuffo. In caso contrario, le dita o gli indumenti potrebbero venire pizzicati.
2. Mantenere saldamente l'utensile.
3. Lavorare sempre in un'area ben ventilata e indossare le protezioni appropriate a seconda del tipo di operazione.
4. Leggere e seguire le istruzioni del produttore sul materiale sigillante o sul materiale adesivo prima dell'uso.

CONSERVARE LE PRESENTI ISTRUZIONI.

AVVERTIMENTO: NON lasciare che comodi o la familiarità d'utilizzo con il prodotto (acquisita con l'uso ripetuto) sostituisca la stretta osservanza delle norme di sicurezza per il prodotto in questione. L'USO IMPROPRIO o la mancata osservanza delle norme di sicurezza indicate nel presente manuale di istruzioni potrebbero causare gravi lesioni personali.

Istruzioni di sicurezza importanti per la cartuccia della batteria

1. Prima di utilizzare la cartuccia della batteria, leggere tutte le istruzioni e le avvertenze riportate (1) sul caricabatteria, (2) sulla batteria e (3) sul prodotto che utilizza la batteria.
2. Non smontare la cartuccia della batteria.
3. Qualora il tempo di utilizzo si riduca eccessivamente, interrompere immediatamente l'utilizzo dell'utensile. In caso contrario, si può incorrere nel rischio di surriscaldamento, possibili ustioni e persino un'esplosione.
4. Qualora l'elettrolita entri in contatto con gli occhi, sciacquarli con acqua pulita e richiedere immediatamente assistenza medica. Questa eventualità può risultare nella perdita della vista.
5. Non cortocircuitare la cartuccia della batteria:
 - (1) Non toccare i terminali con alcun materiale conduttivo.
 - (2) Evitare di conservare la cartuccia della batteria in un contenitore insieme ad altri oggetti metallici quali chiodi, monete, e così via.
 - (3) Non esporre la cartuccia della batteria all'acqua o alla pioggia.

Un cortocircuito della batteria può causare un grande flusso di corrente, un surriscaldamento, possibili ustioni e persino un guasto.

6. Non conservare l'utensile e la cartuccia della batteria in ubicazioni in cui la temperatura possa raggiungere o superare i 50°C.
7. Non incenerire la cartuccia della batteria anche qualora sia gravemente danneggiata o completamente esaurita. La cartuccia della batteria può esplodere se a contatto con il fuoco.
8. Fare attenzione a non far cadere e a non colpire la batteria.
9. Non utilizzare una batteria danneggiata.
10. Le batterie a ioni di litio contenute sono soggette ai requisiti del regolamento sul trasporto di merci pericolose (Dangerous Goods Legislation).
Per trasporti commerciali, ad esempio da parte di terzi o spedizionieri, è necessario osservare dei requisiti speciali sull'imballaggio e sull'etichetta. Per la preparazione dell'articolo da spedire, è richiesta la consulenza di un esperto in materiali pericolosi. Attenersi anche alle normative nazionali, che potrebbero essere più dettagliate. Nasstrare o coprire i contatti aperti e imballare la batteria in modo tale che non si possa muovere liberamente all'interno dell'imballaggio.
11. Attenersi alle normative locali relative allo smaltimento della batteria.

CONSERVARE LE PRESENTI ISTRUZIONI.

ATTENZIONE: Utilizzare solo batterie originali Makita. L'utilizzo di batterie Makita non originali, o di batterie che siano state alterate, potrebbe risultare nello scoppio della batteria, causando incendi, lesioni personali e danni. Inoltre, ciò potrebbe invalidare la garanzia Makita per l'utensile e il caricabatterie Makita.

Suggerimenti per preservare la durata massima della batteria

1. Caricare la cartuccia della batteria prima che si scarichi completamente. Smettere sempre di utilizzare l'utensile e caricare la cartuccia della batteria quando si nota che la potenza dell'utensile è diminuita.
2. Non ricaricare mai una cartuccia della batteria completamente carica. La sovraccarica riduce la vita utile della batteria.
3. Caricare la cartuccia della batteria a una temperatura ambiente compresa tra 10°C e 40°C. Lasciar raffreddare una cartuccia della batteria prima di caricarla.

DESCRIZIONE DELLE FUNZIONI

⚠ATTENZIONE: Accertarsi sempre che l'utensile sia spento e che la cartuccia della batteria sia stata rimossa prima di regolare o di controllare il funzionamento dell'utensile.

Installazione o rimozione della cartuccia della batteria

⚠ATTENZIONE: Spegnerne sempre l'utensile prima di installare o rimuovere la cartuccia della batteria.

⚠ATTENZIONE: Mantenere saldamente lo strumento e la batteria quando si intende installare o rimuovere la cartuccia della batteria. Qualora non si mantengano saldamente lo strumento e la cartuccia della batteria, questi ultimi potrebbero scivolare dalle mani, con la possibilità di causare un danneggiamento dello strumento e della cartuccia della batteria, nonché una lesione personale.

► Fig.1: 1. Indicatore rosso 2. Pulsante 3. Cartuccia della batteria

Per rimuovere la cartuccia della batteria, farla scorrere via dall'utensile mentre si fa scorrere allo stesso tempo il pulsante sulla parte anteriore della cartuccia.

Per installare la cartuccia della batteria, allineare l'appendice della batteria con la scanalatura nell'alloggiamento e farla scivolare in sede. Inserirla completamente fino al suo blocco in sede con un leggero scatto. Se è possibile vedere l'indicatore rosso sul lato superiore del pulsante, la batteria non è bloccata completamente.

⚠ATTENZIONE: Installare sempre fino in fondo la cartuccia della batteria, fino a quando l'indicatore rosso non è più visibile. In caso contrario, la batteria potrebbe cadere accidentalmente dall'utensile, causando lesioni personali all'operatore o a chi gli è vicino.

⚠ATTENZIONE: Non installare forzatamente la cartuccia della batteria. Qualora la batteria non si inserisca scorrendo agevolmente, vuol dire che non viene inserita correttamente.

Sistema di protezione della batteria

L'utensile è dotato di un sistema di protezione della batteria. Questo sistema interrompe automaticamente l'alimentazione al motore per prolungare la vita utile della batteria. L'utensile si arresta automaticamente durante il funzionamento qualora l'utensile stesso e/o la batteria vengano a trovarsi in una delle condizioni seguenti:

Sovraccarico:

L'utensile viene utilizzato in modo tale da causare un assorbimento di corrente elevato in modo anomalo da parte dell'utensile stesso. In questa situazione, spegnere l'utensile e interrompere l'applicazione che ha causato il sovraccarico dell'utensile. Quindi, accendere l'utensile per ricominciare. Qualora l'utensile non si avvii, la batteria è surriscaldata. In questa situazione, lasciar raffreddare la batteria prima di riaccendere l'utensile.

Bassa tensione della batteria:

La carica residua della batteria è troppo bassa e non è possibile utilizzare l'utensile. Se si accende l'utensile, il motore gira di nuovo, ma si arresta dopo poco. In tal caso, rimuovere e ricaricare la batteria.

Indicazione della carica residua della batteria

Solo per cartucce delle batterie dotate di indicatore

► Fig.2: 1. Indicatori luminosi 2. Pulsante di controllo

Premere il pulsante di controllo sulla cartuccia della batteria per indicare la carica residua della batteria. Gli indicatori luminosi si illuminano per alcuni secondi.

Indicatori luminosi		Carica residua
■ Illuminato	□ Spento	
■ ■ ■ ■ ■		Dal 75% al 100%
■ ■ ■ □		Dal 50% al 75%
■ ■ □ □		Dal 25% al 50%
■ □ □ □		Dallo 0% al 25%

NOTA: A seconda delle condizioni d'uso e della temperatura ambiente, l'indicazione potrebbe variare leggermente rispetto alla carica effettiva.

Funzionamento dell'interruttore

⚠AVVERTIMENTO: Prima di inserire la cartuccia della batteria nell'utensile, controllare sempre che l'interruttore a grilletto funzioni correttamente e torni sulla posizione "OFF" quando viene rilasciato.

► Fig.3: 1. Interruttore a grilletto 2. Pulsante di blocco del grilletto

Per evitare l'azionamento accidentale dell'interruttore a grilletto, viene fornito un pulsante di blocco del grilletto. Per avviare l'utensile, far rientrare il pulsante di blocco del grilletto premendolo dal lato A e premere l'interruttore a grilletto. La velocità dell'utensile aumenta di pari passo con l'incremento della pressione sull'interruttore a grilletto. Per arrestare l'utensile, rilasciare l'interruttore a grilletto.

Dopo l'uso, far rientrare il pulsante di blocco del grilletto premendolo dal lato B.

Selettore di regolazione della velocità

► Fig.4: 1. Selettore di regolazione della velocità

È possibile regolare la velocità dell'utensile ruotando il selettore di regolazione della velocità. È possibile ottenere la velocità massima all'impostazione 5 e la velocità minima all'impostazione 1.

AVVISO: Non ruotare rapidamente il selettore quando l'utensile è in funzione.

AVVISO: A seconda del tipo e delle condizioni del materiale sigillante, quest'ultimo potrebbe non venire erogato, a bassa velocità. In questo caso, impostare il selettore di regolazione della velocità su un valore più elevato.

AVVISO: Quando si intende cambiare l'impostazione del selettore di velocità da "5" a "1", ruotare il selettore in senso antiorario. Non ruotare forzatamente il selettore in senso orario.

Accensione della lampadina anteriore

ATTENZIONE: Non osservare né guardare direttamente la fonte di luce.

► Fig.5: 1. Lampada

Per accendere la lampada, premere leggermente l'interruttore a grilletto, quindi rilasciarlo. La lampada si spegne circa 10 secondi dopo aver rilasciato l'interruttore a grilletto.

AVVISO: Quando l'utensile è surriscaldato, la lampadina sfarfalla. Far raffreddare completamente l'utensile prima di riutilizzarlo.

NOTA: Per pulire la sporcizia dalla lente della lampadina, utilizzare un panno asciutto. Fare attenzione a non graffiare la lente della lampadina, altrimenti si potrebbe ridurre l'illuminazione.

Indicatore luminoso di avviso di sovraccarico

► Fig.6: 1. Indicatore luminoso di avviso

L'indicatore luminoso di avviso lampeggia quando l'utensile è sotto un carico elevato. Qualora il carico aumenti e l'utensile diventi sovraccarico, l'utensile si arresta automaticamente e l'indicatore luminoso di avviso continua a lampeggiare. In questo caso, rilasciare l'interruttore a grilletto e rimuovere la causa del sovraccarico, quindi riavviare l'utensile.

NOTA: Quando l'indicatore luminoso di avviso lampeggia, controllare i punti seguenti:

- È presente un'ostruzione del materiale sigillante.
- Il selettore di regolazione della velocità è impostato su una velocità elevata.
- L'area tagliata della punta dell'ugello della cartuccia o della confezione in pellicola è troppo piccola.

Funzione di prevenzione del gocciolamento

Il motore continua a funzionare per un breve periodo di tempo anche dopo il rilascio del grilletto. In questo modo rilascia la pressione del materiale sigillante ed evita il gocciolamento.

MONTAGGIO

ATTENZIONE: Accertarsi sempre che l'utensile sia spento e che la cartuccia della batteria sia stata rimossa, prima di effettuare qualsiasi intervento sull'utensile.

Installazione o rimozione del contenitore da 300 ml

Installazione o rimozione del raccordo del contenitore

Montare il raccordo del contenitore e la piastrina fissando saldamente le viti. Per rimuovere il raccordo del contenitore, eseguire la procedura di installazione al contrario.

► Fig.7: 1. Vite 2. Piastrina 3. Raccordo del contenitore

Installazione o rimozione dell'asta e del pistone

1. Inserire l'asta dal lato posteriore dell'utensile con i denti rivolti verso il basso.

► Fig.8: 1. Asta corta

2. Montare il pistone A con la vite.

► Fig.9: 1. Vite 2. Pistone A 3. Asta corta

AVVISO: Il tipo di involucro del materiale sigillante disponibile per il contenitore da 300 ml è solo la cartuccia. Accertarsi di montare il pistone A sull'asta.

Per rimuovere l'asta e il pistone, eseguire la procedura di installazione al contrario.

Installazione o rimozione del contenitore

ATTENZIONE: Fissare saldamente il contenitore al raccordo del contenitore. In caso contrario, il contenitore potrebbe staccarsi durante l'uso e potrebbe causare lesioni personali.

Per installare il contenitore, ruotarlo saldamente in senso orario fino al suo arresto, mentre si tiene fermo il raccordo del contenitore. Per rimuovere il contenitore, eseguire la procedura di installazione al contrario.

► Fig.10: 1. Contenitore

Installazione o rimozione del contenitore da 600 ml o da 800 ml

Installazione o rimozione del raccordo del contenitore

Montare il raccordo del contenitore e la piastrina fissando saldamente le viti. Per rimuovere il raccordo del contenitore, eseguire la procedura di installazione al contrario.

Per il contenitore da 600 ml









► Fig.11: 1. Vite 2. Piastrina 3. Raccordo del contenitore

Per il contenitore da 800 ml

► Fig.12: 1. Vite 2. Raccordo del contenitore e piastrina

Selezione del tipo di pistone

Selezionare il tipo appropriato di pistone in base all'involucro del materiale sigillante, facendo riferimento alla tabella seguente.

	Con contenitore da 600 ml	Con contenitore da 800 ml
Cartuccia 	Pistone A 	Pistone D 
Confezione in pellicola 	Pistone B 	Pistone E * 
Riempimento diretto 	Pistone C 	-

*. Accessorio opzionale

Installazione o rimozione dell'asta e del pistone

1. Inserire l'asta dal lato posteriore dell'utensile con i denti rivolti verso il basso.

► Fig.13: 1. Asta lunga o asta nera

AVVISO: Per il contenitore da 600 ml, utilizzare l'asta lunga. Per il contenitore da 800 ml, utilizzare l'asta nera.

2. Montare il pistone con la vite.

► Fig.14: 1. Vite 2. Pistone 3. Asta lunga o asta nera

Per rimuovere l'asta e il pistone, eseguire la procedura di installazione al contrario.

Installazione o rimozione del contenitore da 600 ml o da 800 ml

ATTENZIONE: Fissare saldamente il contenitore al raccordo del contenitore. In caso contrario, il contenitore potrebbe staccarsi durante l'uso e potrebbe causare lesioni personali.

Per installare il contenitore, ruotarlo saldamente in senso orario fino al suo arresto, mentre si tiene fermo il raccordo del contenitore.

► Fig.15: 1. Contenitore

Per rimuovere il contenitore, eseguire la procedura di installazione al contrario.

FUNZIONAMENTO

Uso della cartuccia

Preparazione della cartuccia per l'uso

1. Tagliare la punta dell'ugello della cartuccia in modo da erogare la quantità appropriata di materiale sigillante.

► Fig.16: 1. Ugello

2. Praticare un foro nella pellicola protettiva con la punta dell'ugello.

► Fig.17: 1. Ugello

3. Montare l'ugello sulla cartuccia.

AVVISO: Accertarsi di controllare la presenza di eventuali danni della cartuccia prima dell'installazione. L'utilizzo di una cartuccia danneggiata potrebbe causare un malfunzionamento.

AVVISO: Quando si intende riutilizzare una cartuccia parzialmente usata, accertarsi di rimuovere il materiale sigillante solidificato prima dell'installazione.

Installazione della cartuccia nel contenitore da 300 ml

AVVISO: Accertarsi che il pistone A sia montato sull'asta. Non utilizzare altri tipi di pistoni per la cartuccia.

1. Tirare lentamente la maniglia dell'asta all'indietro fino al suo arresto.

► Fig.18: 1. Maniglia dell'asta

2. Inserire la cartuccia nel contenitore come indicato nella figura.

► Fig.19

3. Spingere delicatamente l'asta fino a quando il pistone tocca il fondo della cartuccia.

Per rimuovere la cartuccia, eseguire la procedura di installazione al contrario.

Installazione della cartuccia nel contenitore da 600 ml o da 800 ml

AVVISO: Accertarsi che il pistone A (per il contenitore da 600 ml) o il pistone D (per il contenitore da 800 ml) sia montato sull'asta. Non utilizzare altri tipi di pistoni per la cartuccia.

1. Rimuovere il pezzo di chiusura del contenitore da quest'ultimo, quindi tirare lentamente la maniglia dell'asta all'indietro fino al suo arresto.

► Fig.20: 1. Pezzo di chiusura del contenitore
2. Maniglia dell'asta

2. Inserire la cartuccia nel contenitore.

► Fig.21: 1. Contenitore

3. Montare il pezzo di chiusura del contenitore ruotandolo saldamente mentre si tiene fermo il contenitore.

► **Fig.22:** 1. Pezzo di chiusura del contenitore
2. Contenitore

4. Spingere delicatamente l'asta fino a quando il pistone tocca il fondo della cartuccia.

Per rimuovere la cartuccia, eseguire la procedura di installazione al contrario.

Utilizzo della confezione in pellicola

Preparazione della confezione per l'uso

Tagliare la punta della confezione.

► **Fig.23**

AVVISO: Accertarsi di controllare la presenza di eventuali danni della confezione prima dell'installazione. L'utilizzo di una confezione danneggiata potrebbe causare un malfunzionamento.

Installazione della confezione in pellicola nel contenitore da 600 ml o da 800 ml

AVVISO: Accertarsi che il pistone B (per il contenitore da 600 ml) o il pistone E (per il contenitore da 800 ml) sia montato sull'asta. Non utilizzare altri tipi di pistoni per la confezione in pellicola.

1. Rimuovere il pezzo di chiusura del contenitore, l'ugello e l'anello in gomma dal contenitore.

► **Fig.24:** 1. Pezzo di chiusura del contenitore
2. Ugello 3. Anello in gomma 4. Contenitore

2. Tirare lentamente la maniglia dell'asta all'indietro fino al suo arresto.

3. Inserire la confezione nel contenitore.

► **Fig.25:** 1. Contenitore

4. Montare l'anello in gomma, l'ugello e il pezzo di chiusura del contenitore ruotando saldamente il pezzo di chiusura del contenitore.

► **Fig.26:** 1. Pezzo di chiusura del contenitore
2. Ugello 3. Anello in gomma 4. Contenitore

5. Spingere delicatamente l'asta fino a quando il pistone tocca la confezione.

Per rimuovere la confezione, rimuovere il pezzo di chiusura del contenitore, l'ugello e l'anello in gomma, quindi spingere la maniglia dell'asta in avanti fino al suo arresto.

Riempimento diretto

AVVISO: Accertarsi che il contenitore da 600 ml sia montato sul raccordo del contenitore e che il pistone C sia montato sull'asta. Non utilizzare altri tipi di contenitori e di pistoni per il riempimento diretto.

1. Rimuovere il pezzo di chiusura del contenitore, l'ugello e l'anello in gomma dal contenitore.

► **Fig.27:** 1. Pezzo di chiusura del contenitore
2. Ugello 3. Anello in gomma 4. Contenitore

2. Spingere completamente la maniglia dell'asta fino al suo arresto.

3. Inserire la punta del contenitore nel materiale sigillante, quindi tirare la maniglia dell'asta lentamente per riempire il contenitore con il materiale sigillante.

► **Fig.28:** 1. Contenitore

4. Montare l'anello in gomma, l'ugello e il pezzo di chiusura del contenitore ruotando saldamente il pezzo di chiusura del contenitore.

► **Fig.29:** 1. Pezzo di chiusura del contenitore
2. Ugello 3. Anello in gomma 4. Contenitore

Operazione di sigillatura

Premere il grilletto per erogare il materiale sigillante. Posizionare una mano sotto il contenitore per sostenere l'utensile durante l'uso.

Dopo l'uso, pulire il materiale sigillante dall'utensile. Accertarsi di rimuovere il materiale sigillante prima che solidifichi.

NOTA: All'inizio dell'uso, impostare il selettore di regolazione della velocità su "1", quindi premere lentamente l'interruttore a grilletto per verificare la quantità di materiale sigillante erogata.

NOTA: A seconda del tipo e delle condizioni del materiale sigillante, quest'ultimo potrebbe non venire erogato, a bassa velocità. In questo caso, impostare il selettore di regolazione della velocità su un valore più elevato.

NOTA: Qualora il materiale sigillante non venga erogato, controllare i punti seguenti:

- La punta dell'ugello della cartuccia non è tagliata in modo appropriato.
- Il materiale sigillante si è solidificato e ha ostruito l'ugello.
- La cartuccia o la confezione è danneggiata.
- Il materiale sigillante è rigido. Riscaldare il materiale fino ad ammorbidirlo.
- Il pistone montato non è adeguato al tipo di materiale sigillante.

MANUTENZIONE

ATTENZIONE: Accertarsi sempre che l'utensile sia spento e che la cartuccia della batteria sia stata rimossa prima di tentare di eseguire interventi di ispezione o manutenzione.

AVVISO: Non utilizzare mai benzina, benzene, solventi, alcol o altre sostanze simili. In caso contrario, si potrebbero causare scolorimenti, deformazioni o crepe.

Per preservare la SICUREZZA e l'AFFIDABILITÀ del prodotto, le riparazioni e qualsiasi altro intervento di manutenzione e di regolazione devono essere eseguiti da un centro di assistenza autorizzato Makita, utilizzando sempre ricambi Makita.

ACCESSORI OPZIONALI

⚠ATTENZIONE: Questi accessori o componenti aggiuntivi sono consigliati per l'uso con l'utensile Makita specificato nel presente manuale.

L'impiego di altri accessori o componenti aggiuntivi può costituire un rischio di lesioni alle persone.

Utilizzare gli accessori o i componenti aggiuntivi solo per il loro scopo prefissato.

Per ottenere ulteriori dettagli relativamente a questi accessori, rivolgersi a un centro di assistenza Makita.

- Pistone A
- Pistone B
- Pistone C
- Pistone D
- Pistone E
- Kit contenitore da 300 ml
- Kit contenitore da 600 ml
- Kit contenitore da 800 ml
- Ugello (per il contenitore da 600 ml)
- Ugello (per il contenitore da 800 ml)
- Occhiali di protezione
- Batteria e caricabatterie originali Makita

NOTA: Alcuni articoli nell'elenco potrebbero essere inclusi nell'imballaggio dell'utensile come accessori standard. Tali articoli potrebbero variare da nazione a nazione.

TECHNISCHE GEGEVENS

Model:		CG100D
Maximale aanvoerkraft		5.000 N
Aanvoersnelheid		0 - 28 mm/s
Slaglengte	Houder van 300 ml	214 mm
	Houder van 600 ml	350 mm
	Houder van 800 ml	294 mm
Totale lengte	Houder van 300 ml	404 mm
	Houder van 600 ml	538 mm
	Houder van 800 ml	480 mm
Nominale spanning		Max. 10,8 V - 12 V gelijkspanning
Standaardaccu		BL1015 / BL1016 / BL1020B / BL1021B / BL1040B / BL1041B
Lader		DC10SA / DC10SB / DC10WC / DC10WD
Nettogewicht		1,9 - 2,6 kg

- In verband met ononderbroken research en ontwikkeling, behouden wij ons het recht voor de bovenstaande technische gegevens zonder voorafgaande kennisgeving te wijzigen.
- De technische gegevens van de accu kunnen van land tot land verschillen.
- Het gewicht kan verschillen afhankelijk van de hulpstukken, waaronder de accu. De lichtste en zwaarste combinatie, overeenkomstig de EPTA-procedure 01/2014, worden getoond in de tabel.

Gebruiksdoeleinden

Dit gereedschap is bedoeld voor het opbrengen van kitmateriaal op een oppervlak.

Geluidsniveau

De typische, A-gewogen geluidsniveaus zijn gemeten volgens EN62841:

Geluidsdrukniveau (L_{pA}): 70 dB (A) of lager
Onzekerheid (K): 3 dB (A)

Het geluidsniveau kan tijdens gebruik hoger worden dan 80 dB (A).

WAARSCHUWING: Draag gehoorbescherming.

Trilling

De totale trillingswaarde (triaxiale vectorsom) zoals vastgesteld volgens EN62841:

Gebruikstoepassing: onbelastte werking
Trillingsemmissie (a_h): $2,5 \text{ m/s}^2$ of lager
Onzekerheid (K): $1,5 \text{ m/s}^2$

OPMERKING: De opgegeven trillingsemmissiewaarde is gemeten volgens de standaardtestmethode en kan worden gebruikt om dit gereedschap te vergelijken met andere gereedschappen.

OPMERKING: De opgegeven trillingsemmissiewaarde kan ook worden gebruikt voor een beoordeling vooraf van de blootstelling.

WAARSCHUWING: De trillingsemmissie tijdens het gebruik van het elektrisch gereedschap in de praktijk kan verschillen van de opgegeven trillingsemmissiewaarde afhankelijk van de manier waarop het gereedschap wordt gebruikt.

WAARSCHUWING: Zorg ervoor dat veiligheidsmaatregelen worden getroffen ter bescherming van de operator die zijn gebaseerd op een schatting van de blootstelling onder praktijkomstandigheden (rekening houdend met alle fasen van de bedrijfs-cyclus, zoals de tijdsduur gedurende welke het gereedschap is uitgeschakeld en stationair draait, naast de ingeschakelde tijdsduur).

EG-verklaring van conformiteit

Alleen voor Europese landen

De EG-verklaring van conformiteit is bijgevoegd als Bijlage A bij deze gebruiksaanwijzing.

VEILIGHEIDSWAARSCHUWINGEN

Algemene veiligheidswaarschuwingen voor elektrisch gereedschap

⚠ WAARSCHUWING: Lees alle veiligheids-
waarschuwingen, aanwijzingen, afbeeldingen en
technische gegevens behorend bij dit elektrische
gereedschap aandachtig door. Als u niet alle onder-
staande aanwijzingen naleeft, kan dat resulteren in
brand, elektrische schokken en/of ernstig letsel.

Bewaar alle waarschuwingen en instructies om in de toekomst te kunnen raadplegen.

De term "elektrisch gereedschap" in de veiligheidsvoor-
schriften duidt op gereedschappen die op stroom van het
lichtnet werken (met snoer) of gereedschappen met
een accu (snoerloos).

Veiligheidswaarschuwingen voor een accukitpistool

1. Houd handen en kleding uit de buurt van de duw-
stang en de zuiger. Anders kunnen uw vingers of
kleding bekneld raken.
2. Houd het gereedschap stevig vast.
3. Werk altijd in een goed geventileerde ruimte en
draag goede beschermingsmiddelen die passen bij de
werkzaamheden.
4. Alvorens het gereedschap te gebruiken leest u de
instructies van de fabrikant met betrekking tot
kitmateriaal of lijm materiaal, en volg deze op.

BEWAAR DEZE INSTRUCTIES.

⚠ WAARSCHUWING: Laat u NIET misleiden
door een vals gevoel van comfort en bekendheid
met het gereedschap (na veelvuldig gebruik)
en neem alle veiligheidsvoorschriften van het
betreffende gereedschap altijd strikt in acht.
VERKEERD GEBRUIK of het niet naleven van de
veiligheidsvoorschriften in deze gebruiksaanwij-
zing kan leiden tot ernstig persoonlijk letsel.

Belangrijke veiligheidsinstructies voor een accu

1. Lees alle voorschriften en waarschuwingen op
(1) de acculader, (2) de accu, en (3) het product
waarvoor de accu wordt gebruikt, alvorens de
accu in gebruik te nemen.
2. Neem de accu niet uit elkaar.
3. Als de gebruikstijd van een opgeladen accu
aanzienlijk korter is geworden, moet u het
gebruik ervan onmiddellijk stopzetten.
Voortgezet gebruik kan oververhitting, brand-
wonden en zelfs een ontploffing veroorzaken.

4. Als elektrolyt in uw ogen is terechtgekomen,
spoelt u uw ogen met schoon water en roept u
onmiddellijk de hulp van een dokter in. Elektrolyt
in de ogen kan blindheid veroorzaken.
5. Voorkom kortsluiting van de accu:
 - (1) Raak de accuklemmen nooit aan met een
geleidend materiaal.
 - (2) Bewaar de accu niet in een bak waarin
andere metalen voorwerpen zoals spijkers,
munten e.d. worden bewaard.
 - (3) Stel de accu niet bloot aan water of regen.
Kortsluiting van de accu kan oorzaak zijn van
een grote stroomafgifte, oververhitting, brand-
wonden, en zelfs defecten.
6. Bewaar het gereedschap en de accu niet op
plaatsen waar de temperatuur kan oplopen tot
50°C of hoger.
7. Werp de accu nooit in het vuur, ook niet wan-
neer hij zwaar beschadigd of volledig versleten
is. De accu kan ontploffen in het vuur.
8. Wees voorzichtig dat u de accu niet laat vallen
en hem niet blootstelt aan schokken of stoten.
9. Gebruik nooit een beschadigde accu.
10. De bijgeleverde lithium-ionbatterijen zijn
onderhevig aan de vereisten in de wetgeving
omtrent gevaarlijke stoffen.
Voor commercieel transport en dergelijke door-
derden en transporteurs moeten speciale vereis-
ten ten aanzien van verpakking en etikettering
worden nageleefd.
Als voorbereiding van het artikel dat wordt
getransporteerd is het noodzakelijk een expert op
het gebied van gevaarlijke stoffen te raadplegen.
Houd u tevens aan mogelijk strengere nationale
regelgeving.
Blootliggende contactpunten moeten worden
afgedekt met tape en de accu moet zodanig
worden verpakt dat deze niet kan bewegen in de
verpakking.
11. Volg bij het weggooien van de accu de plaatse-
lijke voorschriften.

BEWAAR DEZE INSTRUCTIES.

⚠ LET OP: Gebruik uitsluitend originele Makita
accu's. Het gebruik van niet-originele accu's, of
accu's die zijn gewijzigd, kan ertoe leiden dat de accu
ontploft en brand, persoonlijk letsel en schade veroor-
zaakt. Ook vervalt daarmee de garantie van Makita
op het gereedschap en de lader van Makita.

Tips voor een maximale levensduur van de accu

1. Laad de accu op voordat hij volledig ontladen
is. Stop het gebruik van het gereedschap en
laad de accu op telkens wanneer u vaststelt
dat het vermogen van het gereedschap is
afgenomen.
2. Laad een volledig opgeladen accu nooit
opnieuw op. Te lang opladen verkort de
levensduur van de accu.
3. Laad de accu op bij een omgevingstempe-
ratuur tussen 10°C en 40°C. Laat een warme
accu afkoelen alvorens hem op te laden.

BESCHRIJVING VAN DE FUNCTIES

⚠ALLET OP: Zorg altijd dat het gereedschap is uitgeschakeld en de accu ervan is verwijderd alvorens de functies op het gereedschap af te stellen of te controleren.

De accu aanbrengen en verwijderen

⚠ALLET OP: Schakel het gereedschap altijd uit voordat u de accu aanbrengt of verwijdert.

⚠ALLET OP: Houd het gereedschap en de accu stevig vast tijdens het aanbrengen of verwijderen van de accu. Als u het gereedschap en de accu niet stevig vasthoudt, kunnen deze uit uw handen glijpen en het gereedschap of de accu beschadigen, of kan persoonlijk letsel worden veroorzaakt.

► Fig.1: 1. Rood deel 2. Knop 3. Accu

Om de accu te verwijderen verschuift u de knop aan de voorkant van de accu en schuift u tegelijkertijd de accu uit het gereedschap.

Om de accu aan te brengen lijnt u de lip op de accu uit met de groef in de behuizing en duwt u de accu op zijn plaats. Steek de accu zo ver mogelijk in het gereedschap tot u een klikgeluid hoort. Als u het rode deel aan de bovenkant van de knop kunt zien, is de accu niet goed aangebracht.

⚠ALLET OP: Breng de accu altijd helemaal aan totdat het rode deel niet meer zichtbaar is. Als u dit niet doet, kan de accu per ongeluk uit het gereedschap vallen en u of anderen in uw omgeving verwonden.

⚠ALLET OP: Breng de accu niet met kracht aan. Als de accu niet gemakkelijk in het gereedschap kan worden geschoven, wordt deze niet goed aangebracht.

Accubeveiligingssysteem

Het gereedschap is uitgerust met een accubeveiligingssysteem. Dit systeem sluit automatisch de voeding naar de motor af om de levensduur van de accu te verlengen.

Het gereedschap kan tijdens gebruik automatisch stoppen wanneer het gereedschap en/of de accu aan één van de volgende omstandigheden wordt blootgesteld:

Overbelasting:

Als het gereedschap wordt gebruikt op een manier die een abnormaal hoge stroomsterkte vergt. Schakel in dat geval het gereedschap uit en stopt u met de toepassing waardoor het gereedschap overbelast raakte. Schakel vervolgens het gereedschap in om het weer te starten.

Als het gereedschap niet start, kan de accu oververhit zijn. In die situatie laat u de accu eerst afkoelen voordat u het gereedschap opnieuw inschakelt.

Onvoldoende accuspanning:









De resterende accucapaciteit is te laag en het gereedschap start niet. Als u het gereedschap inschakelt, draait de motor wel maar stopt kort daarna. In dat geval verwijderd u de accu en laadt u die opnieuw op.

De resterende acculading controleren

Alleen voor accu's met indicatorlampjes

► Fig.2: 1. Indicatorlampjes 2. Testknop

Druk op de testknop op de accu om de resterende acculading te zien. De indicatorlampjes branden gedurende enkele seconden.

Indicatorlampjes		Resterende capaciteit
Brandt	Uit	
		75% tot 100%
		50% tot 75%
		25% tot 50%
		0% tot 25%

OPMERKING: Afhankelijk van de gebruiksomstandigheden en de omgevingstemperatuur, is het mogelijk dat de aangegeven acculading verschilt van de werkelijke acculading.

De trekkerschakelaar gebruiken

⚠WAARSCHUWING: Alvorens de accu in het gereedschap te plaatsen, moet u altijd controleren of de trekkerschakelaar goed werkt en bij het loslaten terugkeert naar de stand "OFF".

► Fig.3: 1. Trekkerschakelaar
2. Trekkervergrendelknop

Om te voorkomen dat de trekkerschakelaar per ongeluk worden ingeknepen, is een trekkervergrendelknop aangebracht.

Om het gereedschap te starten, drukt u vanaf de A-kant op de trekkervergrendelknop en knijpt u de trekkerschakelaar in. Hoe groter de druk op de trekkerschakelaar, hoe hoger het toerental van het gereedschap. Laat de trekkerschakelaar los om het gereedschap te stoppen. Na gebruik drukt u op de trekkervergrendelknop vanaf de B-kant.

Snelheidsregelaar

► Fig.4: 1. Snelheidsregelaar

De snelheid van het gereedschap kan worden ingesteld door de snelheidsregelaar te draaien. Op stand 5 is de snelheid het hoogst en op stand 1 het laagst.

KENNISGEVING: Draai niet snel aan de regelaar terwijl het gereedschap wordt gebruikt.

KENNISGEVING: Afhankelijk van het type en de eigenschappen van het kitmateriaal, wordt het mogelijk niet aangevoerd op lage snelheid. Stel in dat geval de snelheidsregelaar hoger in.

KENNISGEVING: Wanneer u de snelheidsregelaar wilt verdraaien van "5" naar "1", draait u de regelaar linksom. Draai de regelaar niet met kracht rechtsom.

De lamp op de voorkant gebruiken

⚠ LET OP: Kijk niet direct in het lamplicht of in de lichtbron.

► Fig.5: 1. Lamp

Om de lamp in te schakelen, knijpt u de trekkerschakelaar in en laat u deze vervolgens weer los. De lamp gaat ongeveer 10 seconden nadat de trekkerschakelaar is losgelaten uit.

KENNISGEVING: Wanneer het gereedschap oververhit is, knippert de lamp. Laat het gereedschap afkoelen voordat u het weer gebruikt.

OPMERKING: Gebruik een droge doek om vuil van de lens van de lamp af te vegen. Wees voorzichtig dat u de lens van de lamp niet bekrast omdat dan de verlichting minder wordt.

Waarschuwinglampje overbelasting

► Fig.6: 1. Waarschuwinglampje

Het waarschuwinglampje knippert wanneer het gereedschap zwaar belast wordt. Wanneer de belasting toeneemt en het gereedschap overbelast raakt, stopt het gereedschap automatisch en blijft het waarschuwinglampje branden. In dat geval laat u de trekker-schakelaar los, heft u de oorzaak van de overbelasting op, en start u het gereedschap weer.

OPMERKING: Wanneer het waarschuwinglampje knippert, controleert u de volgende punten:

- Het kitmateriaal zit verstopt.
- De snelheidsregelaar staat op hoge snelheid.
- De doorsnede van de open punt van het mondstuk van de patroon of de folieverpakking is te klein.

Antidruffelfunctie

Nadat de trekker is losgelaten, blijft de motor een korte tijd nadraaien. Deze functie heft de druk op het kitmateriaal op en voorkomt nadruppelen.

MONTAGE

⚠ LET OP: Zorg altijd dat het gereedschap is uitgeschakeld en de accu ervan is verwijderd alvorens enig werk aan het gereedschap uit te voeren.

Een houder van 300 ml aanbrengen of verwijderen

De houdervoet aanbrengen en verwijderen

Bevestig de houdervoet en plaat door de schroeven stevig vast te draaien. Om de houdervoet te verwijderen, volgt u de procedure voor het aanbrengen in de omgekeerde volgorde.

► Fig.7: 1. Schroef 2. Plaat 3. Houdervoet

De duwstang en zuiger aanbrengen en verwijderen

1. Steek de duwstang vanaf de achterkant in het gereedschap met de vertanding omlaag gericht.

► Fig.8: 1. Korte duwstang

2. Bevestig zuiger A met de schroef.

► Fig.9: 1. Schroef 2. Zuiger A 3. Korte duwstang

KENNISGEVING: Als kitmateriaalverpakking voor een houder van 300 ml is alleen een patroon leverbaar. Zorg ervoor dat zuiger A is bevestigd op de duwstang.

Om de duwstang en zuiger te verwijderen, volgt u de procedure voor het aanbrengen in omgekeerde volgorde.

De houder aanbrengen en verwijderen

⚠ LET OP: Bevestig de houder stevig in de houdervoet. Anders kan de houder tijdens gebruik losraken en letsel veroorzaken.

Om de houder te bevestigen, draait u deze stevig rechtsom tot hij stopt terwijl u de houdervoet vasthoudt. Om de houder te verwijderen, volgt u de procedure voor het aanbrengen in de omgekeerde volgorde.

► Fig.10: 1. Houder

Een houder van 600 ml of 800 ml aanbrengen of verwijderen

De houdervoet aanbrengen en verwijderen

Bevestig de houdervoet en plaat door de schroeven stevig vast te draaien. Om de houdervoet te verwijderen, volgt u de procedure voor het aanbrengen in de omgekeerde volgorde.

Voor een houder van 600 ml






► Fig.11: 1. Schroef 2. Plaat 3. Houdervoet

Voor een houder van 800 ml

► Fig.12: 1. Schroef 2. Houdervoet en plaat

Het type zuiger selecteren

Selecteer het juiste type zuiger aan de hand van de kitmateriaalverpakking door de onderstaande tabel te raadplegen.

	Houder van 600 ml	Houder van 800 ml
Patroon	Zuiger A 	Zuiger D 
Folieverpakking	Zuiger B 	Zuiger E * 
Rechtstreeks vullen	Zuiger C 	-

*. Optioneel accessoire

De duwstang en zuiger aanbrengen en verwijderen

1. Steek de duwstang vanaf de achterkant in het gereedschap met de vertanding omlaag gericht.

► Fig.13: 1. Lange duwstang of zwarte duwstang

KENNISGEVING: Voor een houder van 600 ml gebruikt u de lange duwstang. Voor een houder van 800 ml gebruikt u de zwarte duwstang.

2. Bevestig de zuiger met de schroef.

► Fig.14: 1. Schroef 2. Zuiger 3. Lange duwstang of zwarte duwstang

Om de duwstang en zuiger te verwijderen, volgt u de procedure voor het aanbrengen in omgekeerde volgorde.

Een houder van 600 ml of 800 ml aanbrengen of verwijderen

⚠ LET OP: Bevestig de houder stevig in de houdervoet. Anders kan de houder tijdens gebruik losraken en letsel veroorzaken.

Om de houder te bevestigen, draait u deze stevig rechtsom tot hij stopt terwijl u de houdervoet vasthoudt.

► Fig.15: 1. Houder

Om de houder te verwijderen, volgt u de procedure voor het aanbrengen in de omgekeerde volgorde.

BEDIENING

Een patroon gebruiken

De patroon voorbereiden op gebruik

1. Snijd de punt van het mondstuk van de patroon zo ver af dat een geschikte hoeveelheid kitmateriaal wordt aangevoerd.

► Fig.16: 1. Mondstuk

2. Maak een gat in de beschermfolie met de punt van het mondstuk.

► Fig.17: 1. Mondstuk

3. Bevestig het mondstuk op de patroon.

KENNISGEVING: Controleer de patroon op beschadigingen voordat u deze aanbrengt. Als een beschadigd patroon wordt gebruikt, kan een storing optreden.

KENNISGEVING: Wanneer een gedeeltelijk opgebruikt patroon opnieuw wordt gebruikt, verwijdert u het hard geworden kitmateriaal voordat u de patroon aanbrengt.

Een patroon aanbrengen in een houder van 300 ml

KENNISGEVING: Zorg er voor dat zuiger A is bevestigd op de duwstang. Gebruik geen ander type zuiger voor een patroon.

1. Trek het handvat van de duwstang langzaam naar achteren tot hij stopt.

► Fig.18: 1. Handvat van de duwstang

2. Plaats de patroon in de houder zoals aangegeven in de afbeelding.

► Fig.19

3. Duw de duwstang voorzichtig erin tot de zuiger de onderkant van de patroon raakt.

Om de patroon te verwijderen, volgt u de procedure voor het aanbrengen in de omgekeerde volgorde.

Een patroon aanbrengen in een houder van 600 ml of 800 ml

KENNISGEVING: Zorg er voor dat zuiger A (voor een houder van 600 ml) of zuiger D (voor een houder van 800 ml) is bevestigd op de duwstang. Gebruik geen ander type zuiger voor een patroon.

1. Verwijder de houderkop vanaf de houder en trek daarna het handvat van de duwstang langzaam naar achteren tot hij stopt.

► Fig.20: 1. Houderkop 2. Handvat van de duwstang

2. Plaats de patroon in de houder.

► Fig.21: 1. Houder

3. Bevestig de houderkop door deze stevig vast te draaien terwijl u de houder vasthoudt.

► **Fig.22:** 1. Houderkop 2. Houder

4. Duw de duwstang voorzichtig erin tot de zuiger de onderkant van de patroon raakt.

Om de patroon te verwijderen, volgt u de procedure voor het aanbrengen in de omgekeerde volgorde.

Een folieverpakking gebruiken

De folieverpakking voorbereiden op gebruik

Snijd de punt van de folieverpakking af.

► **Fig.23**

KENNISGEVING: Controleer de folieverpakking op beschadigingen voordat u deze aanbrengt. Als een beschadigde folieverpakking wordt gebruikt, kan een storing optreden.

Een folieverpakking aanbrengen in een houder van 600 ml of 800 ml

KENNISGEVING: Zorg er voor dat zuiger B (voor een houder van 600 ml) of zuiger E (voor een houder van 800 ml) is bevestigd op de duwstang. Gebruik geen ander type zuiger voor een folieverpakking.

1. Verwijder de houderkop, het mondstuk en de rubber ring vanaf de houder.

► **Fig.24:** 1. Houderkop 2. Mondstuk 3. Rubber ring 4. Houder

2. Trek het handvat van de duwstang langzaam naar achteren tot hij stopt.

3. Plaats de folieverpakking in de houder.

► **Fig.25:** 1. Houder

4. Bevestig de rubber ring, het mondstuk en de houderkop door de houderkop stevig vast te draaien.

► **Fig.26:** 1. Houderkop 2. Mondstuk 3. Rubber ring 4. Houder

5. Duw de duwstang voorzichtig erin tot de zuiger de folieverpakking raakt.

Om de folieverpakking te verwijderen, verwijdert u de de houderkop, het mondstuk en de rubber ring, en duwt u vervolgens het handvat van de duwstang naar voren tot deze stopt.

Rechtstreeks vullen

KENNISGEVING: Zorg ervoor dat de houder van 600 ml is bevestigd aan de houdervoet en dat zuiger C is bevestigd aan de duwstang. Gebruik geen ander type houder of zuiger voor rechtstreeks vullen.

1. Verwijder de houderkop, het mondstuk en de rubber ring vanaf de houder.

► **Fig.27:** 1. Houderkop 2. Mondstuk 3. Rubber ring 4. Houder

2. Duw het handvat van de duwstang er helemaal in tot hij stopt.

3. Steek de voorkant van de houder in het kitmateriaal en trek daarna het handvat van de duwstang langzaam naar achteren om de houder te vullen met kitmateriaal.

► **Fig.28:** 1. Houder

4. Bevestig de rubber ring, het mondstuk en de houderkop door de houderkop stevig vast te draaien.

► **Fig.29:** 1. Houderkop 2. Mondstuk 3. Rubber ring 4. Houder

Kitten

Knijp de trekker in om het kitmateriaal aan te voeren. Plaats één hand onder de houder om het gereedschap tijdens gebruik te ondersteunen.

Veeg na gebruik het kitmateriaal van het gereedschap af. Zorg ervoor het kitmateriaal te verwijderen voordat het hard wordt.

OPMERKING: Zet aan het begin van het gebruik de snelheidsregelaar in stand "1" en knijp de trekker schakelaar langzaam in om te controleren hoeveel kitmateriaal wordt aangevoerd.

OPMERKING: Afhankelijk van het type en de eigenschappen van het kitmateriaal, wordt het mogelijk niet aangevoerd op lage snelheid. Stel in dat geval de snelheidsregelaar hoger in.

OPMERKING: Als geen kitmateriaal wordt aangevoerd, controleert u de volgende punten:

- De punt van het mondstuk van de patroon is niet goed afgesneden.
- Het kitmateriaal is hard geworden en verstopt het mondstuk.
- De patroon of folieverpakking is beschadigd.
- Het kitmateriaal is stijf geworden. Verwarm het materiaal tot het zacht wordt.
- De bevestigde zuiger is niet geschikt voor het type kitmateriaal.

ONDERHOUD

⚠ LET OP: Zorg altijd dat het gereedschap is uitgeschakeld en de accu ervan is verwijderd alvorens te beginnen met onderhoud of inspectie.

KENNISGEVING: Gebruik nooit benzine, wasbenzine, thinner, alcohol en dergelijke. Hierdoor kunnen verkleuring, vervormingen en barsten worden veroorzaakt.

Om de VEILIGHEID en BETROUWBAARHEID van het gereedschap te handhaven, dienen alle reparaties, onderhoud of afstellingen te worden uitgevoerd bij een erkend Makita-servicecentrum of de Makita-fabriek, en altijd met gebruik van Makita-vervangingsonderdelen.

OPTIONELE ACCESSOIRES

⚠ LET OP: Deze accessoires of hulpstukken worden aanbevolen voor gebruik met het Makita gereedschap dat in deze gebruiksaanwijzing is beschreven. Bij gebruik van andere accessoires of hulpstukken bestaat het gevaar van persoonlijke letsel. Gebruik de accessoires of hulpstukken uitsluitend voor hun bestemde doel.

Wenst u meer bijzonderheden over deze accessoires, neem dan contact op met het plaatselijke Makita-servicecentrum.

- Zuiger A
- Zuiger B
- Zuiger C
- Zuiger D
- Zuiger E
- Houderset van 300 ml
- Houderset van 600 ml
- Houderset van 800 ml
- Mondstuk (voor een houder van 600 ml)
- Mondstuk (voor een houder van 800 ml)
- Veiligheidsbril
- Originele Makita accu's en acculaders

OPMERKING: Sommige items op de lijst kunnen zijn inbegrepen in de doos van het gereedschap als standaard toebehoren. Deze kunnen van land tot land verschillen.

ESPECIFICACIONES

Modelo:		CG100D
Fuerza máxima de suministro		5.000 N
Velocidad de suministro		0 - 28 mm/s
Carrera	Soporte de tamaño de 300 ml	214 mm
	Soporte de tamaño de 600 ml	350 mm
	Soporte de tamaño de 800 ml	294 mm
Longitud total	Soporte de tamaño de 300 ml	404 mm
	Soporte de tamaño de 600 ml	538 mm
	Soporte de tamaño de 800 ml	480 mm
Tensión nominal		10,8 V - 12 V CC máx.
Cartucho de batería estándar		BL1015 / BL1016 / BL1020B / BL1021B / BL1040B / BL1041B
Cargador		DC10SA / DC10SB / DC10WC / DC10WD
Peso neto		1,9 - 2,6 kg

- Debido a nuestro continuado programa de investigación y desarrollo, las especificaciones aquí dadas están sujetas a cambios sin previo aviso.
- Las especificaciones y el cartucho de batería pueden diferir de país a país.
- El peso puede variar dependiendo del accesorio(s), incluyendo el cartucho de batería. La combinación menos pesada y la más pesada, de acuerdo con el procedimiento EPTA 01/2014, se muestran en la tabla.

Uso previsto

Esta herramienta ha sido prevista para aplicar material sellador a la superficie.

Ruido

El nivel de ruido A-ponderado típico determinado de acuerdo con la norma EN62841:

Nivel de presión sonora (L_{pA}): 70 dB (A) o menos

Error (K): 3 dB (A)

El nivel de ruido en situación de trabajo puede exceder 80 dB (A).

⚠ ADVERTENCIA: Póngase protectores para oídos.

Vibración

El valor total de la vibración (suma de vectores triaxiales) determinado de acuerdo con la norma EN62841:

Modo de trabajo: operación sin carga

Emisión de vibración (a_h): 2,5 m/s² o menos

Error (K): 1,5 m/s²

NOTA: El valor de emisión de vibración declarado ha sido medido de acuerdo con el método de prueba estándar y se puede utilizar para comparar una herramienta con otra.

NOTA: El valor de emisión de vibración declarado también se puede utilizar en una valoración preliminar de exposición.

⚠ ADVERTENCIA: La emisión de vibración durante la utilización real de la herramienta eléctrica puede variar del valor de emisión declarado dependiendo de las formas en las que la herramienta sea utilizada.

⚠ ADVERTENCIA: Asegúrese de identificar medidas de seguridad para proteger al operario que estén basadas en una estimación de la exposición en las condiciones reales de utilización (teniendo en cuenta todas las partes del ciclo operativo como las veces cuando la herramienta está apagada y cuando está funcionando en vacío además del tiempo de gatillo).

Declaración CE de conformidad

Para países europeos solamente

La declaración CE de conformidad está incluida como Anexo A de esta manual de instrucciones.

ADVERTENCIAS DE SEGURIDAD

Advertencias de seguridad para herramientas eléctricas en general

⚠ ADVERTENCIA: Lea todas las advertencias de seguridad, instrucciones, ilustraciones y especificaciones provistas con esta herramienta eléctrica. Si no sigue todas las instrucciones indicadas abajo podrá resultar en una descarga eléctrica, un incendio y/o heridas graves.

Guarde todas las advertencias e instrucciones para futuras referencias.

El término "herramienta eléctrica" en las advertencias se refiere a su herramienta eléctrica de funcionamiento con conexión a la red eléctrica (con cable) o herramienta eléctrica de funcionamiento a batería (sin cable).

Advertencias de seguridad para la pistola inalámbrica para aplicación de sellador

1. Mantenga las manos y las ropas alejadas del área de la barra y el émbolo. De lo contrario, podrá pillarse los dedos o las ropas.
2. Sujete la herramienta firmemente.
3. Trabaje siempre en un área bien ventilada y póngase protección apropiada de acuerdo con la operación.
4. Lea y siga las instrucciones del fabricante sobre el material de sellado o material adhesivo antes de utilizar.

GUARDE ESTAS INSTRUCCIONES.

⚠ADVERTENCIA: NO deje que la comodidad o familiaridad con el producto (a base de utilizarlo repetidamente) sustituya la estricta observancia de las normas de seguridad para el producto en cuestión. El MAL USO o el no seguir las normas de seguridad establecidas en este manual de instrucciones podrá ocasionar graves heridas personales.

Instrucciones de seguridad importantes para el cartucho de batería

1. Antes de utilizar el cartucho de batería, lea todas las instrucciones e indicaciones de precaución sobre (1) el cargador de baterías, (2) la batería, y (3) el producto con el que se utiliza la batería.
2. No desarme el cartucho de batería.
3. Si el tiempo de uso se acorta demasiado, cese la operación inmediatamente. Podría resultar en un riesgo de recalentamiento, posibles quemaduras e incluso una explosión.
4. Si entra electrolito en sus ojos, aclárelos con agua limpia y acuda a un médico inmediatamente. Existe el riesgo de poder perder la vista.
5. No cortocircuite el cartucho de batería:
 - (1) No toque los terminales con ningún material conductor.
 - (2) Evite guardar el cartucho de batería en un cajón junto con otros objetos metálicos, como clavos, monedas, etc.
 - (3) No exponga el cartucho de batería al agua ni a la lluvia.

Un cortocircuito en la batería puede producir una gran circulación de corriente, un recalentamiento, posibles quemaduras e incluso una rotura de la misma.

6. No guarde la herramienta y el cartucho de batería en lugares donde la temperatura pueda alcanzar o exceder los 50 °C.
7. Nunca incinere el cartucho de batería incluso en el caso de que esté dañado seriamente o ya no sirva en absoluto. El cartucho de batería puede explotar si se tira al fuego.
8. Tenga cuidado de no dejar caer ni golpear el cartucho de batería.
9. No utilice una batería dañada.
10. Las baterías de litio-ion contenidas están sujetas a los requisitos de la Legislación para Materiales Peligrosos.
Para transportes comerciales, p.ej., por terceras personas y agentes de transportes, se deberán observar requisitos especiales para el empaquetado y etiquetado.
Para la preparación del artículo que se va a enviar, se requiere consultar con un experto en materiales peligrosos. Por favor, observe también la posibilidad de reglamentos nacionales más detallados.
Cubra con cinta aislante o enmascare los contactos expuestos y empaquete la batería de tal manera que no se pueda mover alrededor dentro del embalaje.
11. Siga los reglamentos locales referentes al desecho de la batería.

GUARDE ESTAS INSTRUCCIONES.

⚠PRECAUCIÓN: Utilice solamente baterías genuinas de Makita. La utilización de baterías no genuinas de Makita, o baterías que han sido alteradas, puede resultar en una explosión de la batería ocasionando incendios, heridas personales y daños. También anulará la garantía de Makita para la herramienta y el cargador de Makita.

Consejos para alargar al máximo la vida de servicio de la batería

1. Cargue el cartucho de batería antes de que se descargue completamente. Detenga siempre la operación y cargue el cartucho de batería cuando note menos potencia en la herramienta.
2. No cargue nunca un cartucho de batería que esté completamente cargado. La sobrecarga acortará la vida de servicio de la batería.
3. Cargue el cartucho de batería a temperatura ambiente de 10 °C - 40 °C. Si un cartucho de batería está caliente, déjelo enfriar antes de cargarlo.

DESCRIPCIÓN DEL FUNCIONAMIENTO

⚠ PRECAUCIÓN: Asegúrese siempre de que la herramienta esté apagada y el cartucho de batería retirado antes de realizar cualquier ajuste o comprobación en la herramienta.

Instalación o extracción del cartucho de batería

⚠ PRECAUCIÓN: Apague siempre la herramienta antes de instalar o retirar el cartucho de batería.

⚠ PRECAUCIÓN: Sujete la herramienta y el cartucho de batería firmemente cuando instale o retire el cartucho de batería. Si no sujeta la herramienta y el cartucho de batería firmemente podrán caérsele de las manos y resultar en daños a la herramienta y al cartucho de batería y heridas personales.

► **Fig.1:** 1. Indicador rojo 2. Botón 3. Cartucho de batería

Para retirar el cartucho de batería, deslícelo de la herramienta mientras desliza el botón de la parte frontal del cartucho.

Para instalar el cartucho de batería, alinee la lengüeta del cartucho de batería con la ranura de la carcasa y deslícelo hasta que encaje en su sitio. Insértelo a tope hasta que se bloquee en su sitio produciendo un pequeño chasquido. Si puede ver el indicador rojo en el lado superior del botón, no estará bloqueado completamente.

⚠ PRECAUCIÓN: Instale siempre el cartucho de batería completamente hasta que no pueda verse el indicador rojo. En caso contrario, podrá caerse accidentalmente de la herramienta y ocasionarle heridas a usted o a alguien que esté cerca de usted.

⚠ PRECAUCIÓN: No instale el cartucho de batería empleando fuerza. Si el cartucho no se desliza al interior fácilmente, será porque no está siendo insertado correctamente.

Sistema de protección de la batería

La herramienta está equipada con un sistema de protección de la batería. Este sistema corta automáticamente la alimentación del motor para alargar la vida útil de la batería.

La herramienta se detendrá automáticamente durante la operación si la herramienta y/o la batería son puestas en una de las condiciones siguientes:

Sobrecargada:

La herramienta es utilizada de una manera que da lugar a que tenga que absorber una corriente anormalmente alta. En esta situación, apague la herramienta y detenga la aplicación que ocasiona que la herramienta se sobrecargue. Después encienda la herramienta para volver a empezar.

Si la herramienta no se pone en marcha, la batería estará recalentada. En esta situación, deje que la batería se enfríe antes de encender la herramienta otra vez.

Tensión baja en la batería:









La capacidad de batería restante es muy baja y la herramienta no funcionará. Si enciende la herramienta, el motor se pondrá en marcha otra vez pero se detendrá enseguida. En esta situación, retire la batería y vuelva a cargarla.

Modo de indicar la capacidad de batería restante

Solamente para cartuchos de batería con el indicador

► **Fig.2:** 1. Lámparas indicadoras 2. Botón de comprobación

Presione el botón de comprobación en el cartucho de batería para indicar la capacidad de batería restante. Las lámparas indicadoras se iluminan durante unos pocos segundos.

Lámparas de indicación		Capacidad restante
Iluminada	Apagada	
		75% a 100%
		50% a 75%
		25% a 50%
		0% a 25%

NOTA: Dependiendo de las condiciones de utilización y de la temperatura ambiente, la indicación podrá variar ligeramente de la capacidad real.

Accionamiento del interruptor

⚠ ADVERTENCIA: Antes de insertar el cartucho de batería en la herramienta, compruebe siempre para cerciorarse de que el gatillo interruptor se acciona debidamente y que vuelve a la posición "OFF" cuando lo suelta.

► **Fig.3:** 1. Gatillo interruptor 2. Botón de bloqueo del gatillo

Para evitar que el gatillo interruptor pueda ser apretado accidentalmente, se ha provisto el botón de bloqueo del gatillo.

Para poner en marcha la herramienta, presione hacia dentro el botón de bloqueo del gatillo desde el lado A y apriete el gatillo interruptor. La velocidad de la herramienta se incrementa aumentando la presión en el gatillo interruptor. Suelte el gatillo interruptor para parar. Después de utilizar, presione hacia dentro el botón de bloqueo del gatillo desde el lado B.

Dial de ajuste de velocidad

► **Fig.4:** 1. Dial de ajuste de velocidad

La velocidad de la herramienta se puede ajustar girando el dial de ajuste de velocidad. Puede obtener la velocidad más alta en 5 y la velocidad más baja en 1.

AVISO: No gire el dial rápidamente cuando la herramienta esté funcionando.

AVISO: Dependiendo del tipo y las condiciones del material de sellado, es posible que a baja velocidad no se alimente. En este caso, ajuste el dial de ajuste de velocidad a una posición más alta.

AVISO: Cuando cambie el dial de velocidad de "5" a "1", gire el dial hacia la izquierda. No gire el dial hacia la derecha con fuerza.

Encendido de la lámpara delantera

PRECAUCIÓN: No mire a la luz ni vea la fuente de luz directamente.

► Fig.5: 1. Lámpara

Para encender la lámpara, apriete el gatillo interruptor ligeramente, y después suéltelo. La lámpara se apagará aproximadamente 10 segundos después de soltar el gatillo interruptor.

AVISO: Si la herramienta se recalienta, la lámpara parpadea. Deje enfriar la herramienta por completo antes de volver a utilizarla.

NOTA: Utilice un paño seco para quitar la suciedad de la lente de la lámpara. Tenga cuidado de no rayar la lente de la lámpara, porque podrá disminuir la iluminación.

Lámpara de aviso de sobrecarga

► Fig.6: 1. Lámpara de aviso

La lámpara de aviso parpadea cuando la herramienta está muy cargada. Si la carga aumenta y la herramienta se vuelve sobrecargada, la herramienta se para automáticamente y la lámpara de aviso se mantiene encendida. En este caso, suelte el gatillo interruptor, y retire la causa de sobrecarga, y después vuelva a poner en marcha la herramienta.

NOTA: Cuando la lámpara de aviso parpadee, compruebe los puntos siguientes:

- El material de sellado se ha atascado.
- El dial de ajuste de velocidad está ajustado a velocidad alta.
- El área de corte de la punta de la boquilla del cartucho o del paquete tipo lámina es muy pequeña.

Función de prevención de goteo

El motor sigue en marcha durante un corto tiempo incluso después de haber soltado el gatillo. Esto libera la presión del material de sellado y evita el goteo.

MONTAJE

PRECAUCIÓN: Asegúrese siempre de que la herramienta está apagada y el cartucho de batería retirado antes de realizar cualquier trabajo en la herramienta.

Instalación o desmontaje del soporte de tamaño de 300 ml

Instalación o desmontaje del acoplador de soporte

Coloque el acoplador de soporte y la placa sujetando los tornillos firmemente. Para retirar el acoplador de soporte, siga el procedimiento de instalación a la inversa.

► Fig.7: 1. Tornillo 2. Placa 3. Acoplador de soporte

Instalación o desmontaje de la barra y el pistón

1. Inserte la barra desde el lado posterior de la herramienta con sus dientes orientados hacia abajo.

► Fig.8: 1. Barra corta

2. Coloque el pistón A con el tornillo.

► Fig.9: 1. Tornillo 2. Pistón A 3. Barra corta

AVISO: El tipo disponible de contenedor de material de sellado para soporte de tamaño de 300 ml es en cartucho solamente. Asegúrese de colocar el pistón A en la barra.

Para retirar la barra y el pistón, siga el procedimiento de instalación a la inversa.

Instalación o desmontaje del soporte

PRECAUCIÓN: Sujete el soporte en el acoplador de soporte firmemente. De lo contrario, el soporte podrá caerse durante la operación y ocasionar heridas.

Para instalar el soporte, gírelo hacia la derecha firmemente hasta que se detenga mientras sujeta el acoplador de soporte. Para retirar el soporte, siga el procedimiento de instalación a la inversa.

► Fig.10: 1. Soporte

Instalación o desmontaje del soporte de tamaño de 600 ml u 800 ml

Instalación o desmontaje del acoplador de soporte

Coloque el acoplador de soporte y la placa sujetando los tornillos firmemente. Para retirar el acoplador de soporte, siga el procedimiento de instalación a la inversa.

Para soporte de tamaño de 600 ml









► Fig.11: 1. Tornillo 2. Placa 3. Acoplador de soporte

Para soporte de tamaño de 800 ml

► Fig.12: 1. Tornillo 2. Acoplador de soporte y placa

Selección del tipo de pistón

Seleccione el tipo apropiado de pistón de acuerdo con el contenedor de material de sellado refiriéndose a la tabla siguiente.

	Soporte de tamaño de 600 ml	Soporte de tamaño de 800 ml
Cartucho 	Pistón A 	Pistón D 
Paquete de lámina 	Pistón B 	Pistón E * 
Rellenado directo 	Pistón C 	-

*. Accesorio opcional

Instalación o desmontaje de la barra y el pistón

1. Inserte la barra desde el lado posterior de la herramienta con sus dientes orientados hacia abajo.

► Fig.13: 1. Barra larga o barra negra

AVISO: Para soporte de tamaño de 600 ml, utilice la barra larga. Para soporte de tamaño de 800 ml, utilice la barra negra.

2. Coloque el pistón con el tornillo.

► Fig.14: 1. Tornillo 2. Pistón 3. Barra larga o barra negra

Para retirar la barra y el pistón, siga el procedimiento de instalación a la inversa.

Instalación o desmontaje del soporte de tamaño de 600 ml u 800 ml

PRECAUCIÓN: Sujete el soporte en el acoplador de soporte firmemente. De lo contrario, el soporte podrá caerse durante la operación y ocasionar heridas.

Para instalar el soporte, gírelo hacia la derecha firmemente hasta que se detenga mientras sujeta el acoplador de soporte.

► Fig.15: 1. Soporte

Para retirar el soporte, siga el procedimiento de instalación a la inversa.

OPERACIÓN

Utilización de cartucho

Preparación del cartucho para su utilización

1. Corte la punta de la boquilla del cartucho de forma que se alimente la cantidad apropiada de material de sellado.

► Fig.16: 1. Boquilla

2. Haga un agujero en la lámina protectora con la punta de la boquilla.

► Fig.17: 1. Boquilla

3. Coloque la boquilla en el cartucho.

AVISO: Asegúrese de comprobar el cartucho por si está dañado antes de su instalación. La utilización de un cartucho dañado puede ocasionar un mal funcionamiento.

AVISO: Cuando quiera volver a utilizar el cartucho parcialmente utilizado, asegúrese de retirar el material de sellado sólido antes de su instalación.

Instalación del cartucho en el soporte de tamaño de 300 ml

AVISO: Asegúrese de que el pistón A está colocado en la barra. No utilice otro tipo de pistón para cartucho.

1. Tire del mango de la barra hacia atrás despacio hasta que se detenga.

► Fig.18: 1. Mango de la barra

2. Inserte el cartucho en el soporte como se muestra en la figura.

► Fig.19

3. Empuje la barra con cuidado hasta que el pistón toque la parte inferior del cartucho.

Para retirar el cartucho, siga el procedimiento de instalación a la inversa.

Instalación del cartucho en el soporte de tamaño de 600 ml u 800 ml

AVISO: Asegúrese de que el pistón A (para soporte de tamaño de 600 ml) o el pistón D (para soporte de tamaño de 800 ml) está colocado en la barra. No utilice otro tipo de pistón para cartucho.

1. Retire el tope de soporte del soporte, y después tire del mango de la barra hacia atrás despacio hasta que se detenga.

► Fig.20: 1. Tope de soporte 2. Mango de la barra

2. Inserte el cartucho en el soporte.

► Fig.21: 1. Soporte

3. Coloque el tope de soporte girándolo firmemente mientras sujeta el soporte.

► **Fig.22:** 1. Tope de soporte 2. Soporte

4. Empuje la barra con cuidado hasta que el pistón toque la parte inferior del cartucho.

Para retirar el cartucho, siga el procedimiento de instalación a la inversa.

Utilización de paquete tipo lámina

Preparación del paquete para su utilización

Corte la punta del paquete.

► **Fig.23**

AVISO: Asegúrese de comprobar el paquete por si está dañado antes de su instalación. La utilización de un paquete dañado puede ocasionar un mal funcionamiento.

Instalación del paquete tipo lámina en el soporte de tamaño de 600 ml u 800 ml

AVISO: Asegúrese de que el pistón B (para soporte de tamaño de 600 ml) o el pistón E (para soporte de tamaño de 800 ml) está colocado en la barra. No utilice otro tipo de pistón para paquete tipo lámina.

1. Retire el tope de soporte, la boquilla, y el anillo de goma del soporte.

► **Fig.24:** 1. Tope de soporte 2. Boquilla 3. Anillo de goma 4. Soporte

2. Tire del mango de la barra hacia atrás despacio hasta que se detenga.

3. Inserte el paquete en el soporte.

► **Fig.25:** 1. Soporte

4. Coloque el anillo de goma, la boquilla, y el tope de soporte girando el tope de soporte firmemente.

► **Fig.26:** 1. Tope de soporte 2. Boquilla 3. Anillo de goma 4. Soporte

5. Empuje la barra con cuidado hasta que el pistón toque el paquete.

Para retirar el paquete, retire el tope de soporte, la boquilla, el anillo de goma, y después empuje el mango de la barra hacia adelante hasta que se detenga.

Rellenado directo

AVISO: Asegúrese de que el soporte de tamaño de 600 ml está colocado en el acoplador de soporte y el pistón C está colocado en la barra. No utilice otro tipo de soporte y pistón para rellenado directo.

1. Retire el tope de soporte, la boquilla, y el anillo de goma del soporte.

► **Fig.27:** 1. Tope de soporte 2. Boquilla 3. Anillo de goma 4. Soporte

2. Empuje el mango de la barra a tope hasta que se detenga.

3. Inserte la punta del soporte en el material de sellado, y después tire del mango de la barra despacio para llenar el soporte con el material de sellado.

► **Fig.28:** 1. Soporte

4. Coloque el anillo de goma, la boquilla, y el tope de soporte girando el tope de soporte firmemente.

► **Fig.29:** 1. Tope de soporte 2. Boquilla 3. Anillo de goma 4. Soporte

Operación de sellado

Apriete el gatillo para suministrar el material de sellado. Ponga una mano por debajo del soporte para apoyar la herramienta mientras la utiliza.

Después de la operación, limpie el material de sellado de la herramienta. Asegúrese de retirar el material de sellado antes de que se vuelva sólido.

NOTA: Al principio de la operación, ajuste el dial de ajuste de velocidad a "1" y apriete el gatillo interruptor despacio para comprobar la cantidad de material de sellado que se suministra.

NOTA: Dependiendo del tipo y las condiciones del material de sellado, es posible que a baja velocidad no se alimente. En este caso, ajuste el dial de ajuste de velocidad a una posición más alta.

NOTA: Si el material de sellado no se suministra, compruebe los puntos siguientes:

- La punta de la boquilla del cartucho no está cortada adecuadamente.
- El material de sellado se ha solidificado y atascado en la boquilla.
- El cartucho o el paquete está dañado.
- El material de sellado está rígido. Caliente el material hasta que se vuelva blando.
- El pistón colocado no es apropiado para el tipo de material de sellado.

MANTENIMIENTO

PRECAUCIÓN: Asegúrese siempre de que la herramienta está apagada y de que el cartucho de batería está retirado antes de intentar hacer una inspección o mantenimiento.

AVISO: No utilice nunca gasolina, bencina, disolvente, alcohol o similares. Podría producir descoloración, deformación o grietas.

Para mantener la SEGURIDAD y FIABILIDAD del producto, las reparaciones, y cualquier otra tarea de mantenimiento o ajuste deberán ser realizadas en centros de servicio o de fábrica autorizados por Makita, empleando siempre repuestos Makita.

ACCESORIOS OPCIONALES

⚠PRECAUCIÓN: Estos accesorios o aditamentos están recomendados para su uso con la herramienta Makita especificada en este manual.

El uso de cualquier otro accesorio o aditamento puede suponer un riesgo de heridas personales. Utilice el accesorio o aditamento solamente con la finalidad indicada para el mismo.

Si necesita cualquier ayuda para más detalles en relación con estos accesorios, pregunte al centro de servicio Makita local.

- Pistón A
- Pistón B
- Pistón C
- Pistón D
- Pistón E
- Juego de soporte de tamaño de 300 ml
- Juego de soporte de tamaño de 600ml
- Juego de soporte de tamaño de 800ml
- Boquilla (para soporte de tamaño de 600 ml)
- Boquilla (para soporte de tamaño de 800 ml)
- Gafas de seguridad
- Batería y cargador genuinos de Makita

NOTA: Algunos elementos de la lista podrán estar incluidos en el paquete de la herramienta como accesorios estándar. Pueden variar de un país a otro.

ESPECIFICAÇÕES

Modelo:		CG100D
Força máxima de alimentação		5.000 N
Velocidade de alimentação		0 - 28 mm/s
Curso	Suporte com tamanho de 300 ml	214 mm
	Suporte com tamanho de 600 ml	350 mm
	Suporte com tamanho de 800 ml	294 mm
Comprimento total	Suporte com tamanho de 300 ml	404 mm
	Suporte com tamanho de 600 ml	538 mm
	Suporte com tamanho de 800 ml	480 mm
Tensão nominal		CC 10,8 V - 12 V máx.
Bateria padrão		BL1015 / BL1016 / BL1020B / BL1021B / BL1040B / BL1041B
Carregador		DC10SA / DC10SB / DC10WC / DC10WD
Peso líquido		1,9 - 2,6 kg

- Devido a um programa contínuo de pesquisa e desenvolvimento, estas especificações estão sujeitas a alteração sem aviso prévio.
- As especificações e a bateria podem variar de país para país.
- O peso poderá diferir em função do acessório(s), incluindo a bateria. A combinação mais leve e mais pesada, de acordo com o Procedimento EPTA 01/2014, é apresentada na tabela.

Utilização a que se destina

Esta ferramenta destina-se à aplicação de material de calafetação na superfície.

Ruído

A característica do nível de ruído A determinado de acordo com a EN62841:

Nível de pressão acústica (L_{pA}): 70 dB (A) ou menos
Variabilidade (K): 3 dB (A)

O nível de ruído durante o funcionamento pode exceder 80 dB (A).

AVISO: Utilize protetores auriculares.

Vibração

Valor total da vibração (soma vetorial tri-axial) determinado de acordo com a EN62841:

Modo de trabalho: funcionamento sem carga
Emissão de vibração (a_{h1}): 2,5 m/s² ou menos
Variabilidade (K): 1,5 m/s²

NOTA: O valor da emissão de vibração indicado foi medido de acordo com o método de teste padrão e pode ser utilizado para comparar duas ferramentas.

NOTA: O valor da emissão de vibração indicado pode também ser utilizado na avaliação preliminar da exposição.

AVISO: A emissão de vibração durante a utilização real da ferramenta elétrica pode diferir do valor de emissão indicado, dependendo das formas como a ferramenta é utilizada.

AVISO: Certifique-se de identificar as medidas de segurança para proteção do operador que sejam baseadas em uma estimativa de exposição em condições reais de utilização (considerando todas as partes do ciclo de operação, tal como quando a ferramenta está desligada e quando está a funcionar em marcha lenta além do tempo de acionamento).

Declaração de conformidade da CE

Apenas para os países europeus

A declaração de conformidade da CE está incluída como Anexo A neste manual de instruções.

AVISOS DE SEGURANÇA

Avisos gerais de segurança para ferramentas elétricas

AVISO: Leia todos os avisos de segurança, instruções, ilustrações e especificações fornecidos com esta ferramenta elétrica. O não cumprimento de todas as instruções indicadas em baixo pode resultar em choque elétrico, incêndio e/ou ferimentos graves.

Guarde todos os avisos e instruções para futuras referências.

O termo "ferramenta elétrica" nos avisos refere-se às ferramentas elétricas ligadas à corrente elétrica (com cabo) ou às ferramentas elétricas operadas por meio de bateria (sem cabo).

Avisos de segurança da pistola de calafetação a bateria

1. Mantenha as mãos e as roupas afastadas da haste e da área do êmbolo. Caso contrário, poderá entalar os dedos ou as roupas.
2. Segure firmemente na ferramenta.
3. Trabalhe sempre numa área bem ventilada e use proteções apropriadas em conformidade com o trabalho a realizar.
4. Leia e cumpra as instruções do fabricante relativas ao material de calafetação ou ao material adesivo antes de utilizá-lo.

GUARDE ESTAS INSTRUÇÕES.

⚠AVISO: NÃO permita que o conforto ou familiaridade com o produto (adquirido com o uso repetido) substitua o cumprimento estrito das regras de segurança da ferramenta. A MÁ INTERPRETAÇÃO ou o não seguimento das regras de segurança estabelecidas neste manual de instruções pode provocar ferimentos pessoais graves.

Instruções de segurança importantes para a bateria

1. Antes de utilizar a bateria, leia todas as instruções e etiquetas de precaução no (1) carregador de bateria (2) bateria e (3) produto que utiliza a bateria.
2. Não abra a bateria.
3. Se o tempo de funcionamento se tornar excessivamente curto, pare o funcionamento imediatamente. Pode resultar em sobreaquecimento, possíveis queimaduras e mesmo explosão.
4. Se entrar eletrólito nos seus olhos, lave-os com água e consulte imediatamente um médico. Pode resultar em perda de visão.
5. Não coloque a bateria em curto-circuito:
 - (1) Não toque nos terminais com qualquer material condutor.
 - (2) Evite guardar a bateria juntamente com outros objetos metálicos tais como pregos, moedas, etc.
 - (3) Não exponha a bateria à água ou chuva. Um curto-circuito pode ocasionar um enorme fluxo de corrente, sobreaquecimento, possíveis queimaduras e mesmo estragar-se.
6. Não guarde a ferramenta e a bateria em locais onde a temperatura pode atingir ou exceder 50°C.

7. Não queime a bateria mesmo que esteja estragada ou completamente gasta. A bateria pode explodir no fogo.
8. Tenha cuidado para não deixar cair ou dar pancadas na bateria.
9. Não utilize uma bateria danificada.
10. As baterias de íões de lítio contidas na ferramenta são sujeitas aos requisitos da DGL (Dangerous Goods Legislation - Legislação de bens perigosos).

Para o transporte comercial, por exemplo, por terceiros ou agentes de expedição, têm de ser observados os requisitos referentes à embalagem e etiquetagem.

Para preparação do artigo a ser expedido, é necessário consultar um perito em materiais perigosos. Tenha ainda em conta a possibilidade de existirem regulamentos nacionais mais detalhados.

Coloque fita-cola ou tape os contactos abertos e embale a bateria de tal forma que não possa mover-se dentro da embalagem.
11. Siga os regulamentos locais relacionados com a eliminação de baterias.

GUARDE ESTAS INSTRUÇÕES.

⚠PRECAUÇÃO: Utilize apenas baterias genuínas da Makita. A utilização de baterias não genuínas da Makita ou de baterias que foram alteradas, pode resultar no rebentamento da bateria provocando incêndios, ferimentos pessoais e danos. Além disso, anulará a garantia da Makita no que se refere à ferramenta e ao carregador Makita.

Conselhos para manter a máxima vida útil da bateria

1. Carregue a bateria antes que esteja completamente descarregada. Pare sempre o funcionamento da ferramenta e carregue a bateria quando notar menos poder na ferramenta.
2. Nunca carregue uma bateria completamente carregada. Carregamento excessivo diminui a vida útil da bateria.
3. Carregue a bateria à temperatura ambiente de 10°C – 40°C. Deixe que uma bateria quente arrefeça antes de a carregar.

DESCRIÇÃO FUNCIONAL

⚠️ PRECAUÇÃO: Certifique-se sempre de que a ferramenta está desligada e a bateria foi retirada antes de regular ou verificar qualquer função na ferramenta.

Instalação ou remoção da bateria

⚠️ PRECAUÇÃO: Desligue sempre a ferramenta antes de colocar ou retirar a bateria.

⚠️ PRECAUÇÃO: Segure firmemente a ferramenta e a bateria quando instalar ou remover a bateria. Se não segurar firmemente a ferramenta e a bateria pode fazer com que escorreguem das suas mãos resultando em danos na ferramenta e na bateria e ferimentos pessoais.

► **Fig.1:** 1. Indicador vermelho 2. Botão 3. Bateria

Para retirar a bateria, deslize-a para fora da ferramenta enquanto desliza o botão na frente da bateria.

Para instalar a bateria, alinhe a lingueta da bateria com a ranhura no compartimento e deslize-a no lugar. Empurre-a até o fim para que a mesma encaixe no lugar com um clique. Se puder ver a parte vermelha no lado superior do botão, significa que não está completamente bloqueada.

⚠️ PRECAUÇÃO: Instale sempre a bateria até ao fim, até deixar de ver o indicador vermelho.

Caso contrário, a bateria poderá cair da ferramenta acidentalmente e provocar ferimentos em si mesmo ou em alguém próximo.

⚠️ PRECAUÇÃO: Não instale a bateria à força. Se a bateria não deslizar facilmente é porque não foi colocada corretamente.

Sistema de proteção da bateria

A ferramenta está equipada com um sistema de proteção da bateria. Este sistema corta automaticamente a energia para o motor a fim de prolongar a vida útil da bateria.

A ferramenta para automaticamente durante o funcionamento se a mesma e/ou a bateria estiver numa das seguintes circunstâncias:

Sobrecarga:

A ferramenta é utilizada de tal forma que puxa uma corrente elevada demais.

Neste caso, desligue a ferramenta e pare a aplicação que fez com que a ferramenta ficasse sobrecarregada. Depois, ligue a ferramenta para a reiniciar.

Se a ferramenta não reiniciar, a bateria está sobreaquecida. Nesta situação, deixe a bateria arrefecer antes de voltar a ligar a ferramenta.

Baixa tensão da bateria:

A carga restante da bateria está baixa demais e a ferramenta não funciona. Se ligar a ferramenta, o motor funciona novamente mas para logo a seguir. Nesse caso, retire a bateria e recarregue-a.

Indicação da capacidade restante da bateria

Apenas para baterias com indicador

► **Fig.2:** 1. Luzes indicadoras 2. Botão de verificação

Primeira o botão de verificação na bateria para indicar a capacidade restante da bateria. As luzes indicadoras acendem durante alguns segundos.

Luzes indicadoras		Carga restante
Aceso	Desligada	
■ ■ ■ ■	□	75% a 100%
■ ■ ■ □	□	50% a 75%
■ ■ □ □	□	25% a 50%
■ □ □ □	□	0% a 25%

NOTA: Dependendo das condições de utilização e da temperatura ambiente, a indicação pode ser ligeiramente diferente da capacidade real.

Ação do interruptor

⚠️ AVISO: Antes de colocar a bateria na ferramenta, verifique sempre se o gatilho do interruptor funciona corretamente e volta para a posição "OFF" quando libertado.

► **Fig.3:** 1. Gatilho do interruptor 2. Botão de bloqueio do gatilho

Para evitar premir o gatilho do interruptor acidentalmente, a ferramenta dispõe do botão de bloqueio do gatilho.

Para acionar a ferramenta, pressione o botão de bloqueio do gatilho do lado A e puxe o gatilho do interruptor. A velocidade da ferramenta aumenta à medida que se vai aumentando a pressão no gatilho do interruptor. Liberte o gatilho do interruptor para parar.

Após a utilização, pressione o botão de bloqueio do gatilho do lado B.

Indicador de ajuste da velocidade

► **Fig.4:** 1. Indicador de ajuste da velocidade

A velocidade da ferramenta pode ser ajustada ao rodar o indicador de ajuste da velocidade. Pode obter a velocidade mais alta no 5 e a velocidade mais baixa no 1.

OBSERVAÇÃO: Não rode o indicador rapidamente quando a ferramenta estiver a funcionar.

OBSERVAÇÃO: Dependendo do tipo e das condições do material de calafetação, poderá não ser alimentado a baixa velocidade. Neste caso, regule o indicador de ajuste da velocidade para um valor mais alto.

OBSERVAÇÃO: Quando mudar o indicador de velocidade de "5" para "1", rode o indicador para a esquerda. Não rode o indicador para a direita à força.

Acender a lâmpada da frente

⚠️ PRECAUÇÃO: Não olhe para a luz ou para a fonte de iluminação diretamente.

► Fig.5: 1. Lâmpada

Para ligar a lâmpada, puxe ligeiramente o gatilho do interruptor, soltando-o em seguida. A lâmpada apaga aproximadamente 10 segundos após soltar o gatilho do interruptor.

OBSERVAÇÃO: Quando a ferramenta estiver sobreaquecida, a lâmpada fica intermitente. Arrefeça a ferramenta completamente antes de operá-la novamente.

NOTA: Utilize um pano seco para limpar a sujidade da lente da lâmpada. Tenha cuidado para não riscar a lente da lâmpada ou a iluminação pode ficar enfraquecida.

Lâmpada de aviso contra sobrecarga

► Fig.6: 1. Lâmpada de aviso

A lâmpada de aviso pisca quando a ferramenta estiver altamente carregada. Se a carga aumentar e a ferramenta ficar sobrecarregada, a ferramenta para automaticamente e a lâmpada de aviso continua a iluminar. Neste caso, solte o gatilho do interruptor e remova o motivo de sobrecarga e, em seguida, reinicie a ferramenta.

NOTA: Quando a lâmpada de aviso piscar, verifique os seguintes pontos:

- O material de calafetação está entupido.
- O indicador de ajuste da velocidade está regulado para velocidade alta.
- A área de corte da ponta do bocal do cartucho ou o pacote do tipo de película é demasiado pequena.

Função preventiva de gotejamento

O motor continua a funcionar por um curto período mesmo após o gatilho ser solto. Este liberta a pressão do material de calafetação e evita o gotejamento.

MONTAGEM

⚠️ PRECAUÇÃO: Certifique-se sempre de que a ferramenta está desligada e a bateria retirada antes de executar qualquer trabalho na ferramenta.

Instalar ou remover o suporte com tamanho de 300 ml

Instalar ou remover a junta do suporte

Prenda a junta do suporte e a placa, apertando os parafusos firmemente. Para remover a junta do suporte, siga o procedimento de instalação pela ordem inversa.

► Fig.7: 1. Parafuso 2. Placa 3. Junta do suporte

Instalar ou remover a haste e o pistão

1. Insira a haste a partir da parte traseira da ferramenta com os dentes virados para baixo.

► Fig.8: 1. Haste curta

2. Prenda o pistão A com o parafuso.

► Fig.9: 1. Parafuso 2. Pistão A 3. Haste curta

OBSERVAÇÃO: O tipo de recipiente de material de calafetação disponível para o suporte com tamanho de 300 ml apenas inclui o cartucho. Assegure que prende o pistão A à haste.

Para remover a haste e o pistão, siga o procedimento de instalação pela ordem inversa.

Instalar ou remover o suporte

⚠️ PRECAUÇÃO: Fixe o suporte firmemente à junta do suporte. Caso contrário, o suporte poderá cair durante o funcionamento e causar lesões.

Para instalar o suporte, rode-o firmemente para a direita até parar enquanto segura a junta do suporte. Para remover o suporte, siga o procedimento de instalação pela ordem inversa.

► Fig.10: 1. Suporte

Instalar ou remover o suporte com tamanho de 600 ml ou 800 ml

Instalar ou remover a junta do suporte

Prenda a junta do suporte e a placa, apertando os parafusos firmemente. Para remover a junta do suporte, siga o procedimento de instalação pela ordem inversa.

Para o suporte com tamanho de 600 ml









► Fig.11: 1. Parafuso 2. Placa 3. Junta do suporte

Para o suporte com tamanho de 800 ml

► Fig.12: 1. Parafuso 2. Junta do suporte e placa

Selecionar o tipo de pistão

Selecione o tipo de pistão apropriado de acordo com o recipiente de material de calafetação, consultando a tabela seguinte.

	Suporte com tamanho de 600 ml	Suporte com tamanho de 800 ml
Cartucho 	Pistão A 	Pistão D 
Pacote de película 	Pistão B 	Pistão E * 
Enchimento direto 	Pistão C 	-

*. Acessório opcional

Instalar ou remover a haste e o pistão

1. Insira a haste a partir da parte traseira da ferramenta com os dentes virados para baixo.

► Fig.13: 1. Haste comprida ou haste preta

OBSERVAÇÃO: Para o suporte com tamanho de 600 ml, utilize a haste comprida. Para o suporte com tamanho de 800 ml, utilize a haste preta.

2. Prenda o pistão ao parafuso.

► Fig.14: 1. Parafuso 2. Pistão 3. Haste comprida ou haste preta

Para remover a haste e o pistão, siga o procedimento de instalação pela ordem inversa.

Instalar ou remover o suporte com tamanho de 600 ml ou 800 ml

⚠PRECAUÇÃO: Fixe o suporte firmemente à junta do suporte. Caso contrário, o suporte poderá cair durante o funcionamento e causar lesões.

Para instalar o suporte, rode-o firmemente para a direita até parar enquanto segura a junta do suporte.

► Fig.15: 1. Suporte

Para remover o suporte, siga o procedimento de instalação pela ordem inversa.

OPERAÇÃO

Utilizar o cartucho

Preparar o cartucho para utilização

1. Corte a ponta do bocal do cartucho, de modo a alimentar a quantidade adequada de material de calafetação.

► Fig.16: 1. Bocal

2. Realize um furo na película protetora com a ponta do bocal.

► Fig.17: 1. Bocal

3. Prenda o bocal ao cartucho.

OBSERVAÇÃO: Assegure que verifica o cartucho quanto a danos antes da instalação. Utilizar o cartucho danificado pode causar o mau funcionamento.

OBSERVAÇÃO: Quando reutilizar o cartucho parcialmente utilizado, assegure que remove o material de calafetação sólido antes de realizar a instalação.

Instalar o cartucho no suporte com tamanho de 300 ml

OBSERVAÇÃO: Assegure que o pistão A está preso à haste. Não utilize outro tipo de pistão para o cartucho.

1. Puxe a pega da haste para trás lentamente até parar.

► Fig.18: 1. Pega da haste

2. Insira o cartucho no suporte conforme apresentado na figura.

► Fig.19

3. Empurre a haste delicadamente até o pistão tocar na parte inferior do cartucho.

Para remover o cartucho, siga o procedimento de instalação pela ordem inversa.

Instalar o cartucho no suporte com tamanho de 600 ml ou 800 ml

OBSERVAÇÃO: Assegure que o pistão A (para o suporte com tamanho de 600 ml) ou o pistão D (para o suporte com tamanho de 800 ml) está preso à haste. Não utilize outro tipo de pistão para o cartucho.

1. Remova a capa do suporte do suporte e, em seguida, puxe a pega da haste para trás lentamente até parar.

► Fig.20: 1. Capa do suporte 2. Pega da haste

2. Insira o cartucho no suporte.

► Fig.21: 1. Suporte

3. Prenda a capa do suporte, rodando-a firmemente enquanto segura o suporte.

► **Fig.22:** 1. Capa do suporte 2. Suporte

4. Empurre a haste delicadamente até o pistão tocar na parte inferior do cartucho.

Para remover o cartucho, siga o procedimento de instalação pela ordem inversa.

Utilizar o pacote do tipo de película

Preparar o pacote para utilização

Cortar a ponta do pacote.

► **Fig.23**

OBSERVAÇÃO: Assegure que verifica o pacote quanto a danos antes da instalação. Utilizar o pacote danificado pode causar o mau funcionamento.

Instalar o pacote do tipo de película no suporte com tamanho de 600 ml ou 800 ml

OBSERVAÇÃO: Assegure que o pistão B (para o suporte com tamanho de 600 ml) ou o pistão E (para o suporte com tamanho de 800 ml) está preso à haste. Não utilize outro tipo de pistão para o pacote do tipo de película.

1. Remova a capa do suporte, o bocal e o anel de borracha do suporte.

► **Fig.24:** 1. Capa do suporte 2. Bocal 3. Anel de borracha 4. Suporte

2. Puxe a pega da haste para trás lentamente até parar.

3. Insira o pacote no suporte.

► **Fig.25:** 1. Suporte

4. Prenda o anel de borracha, o bocal e a capa do suporte, rodando a capa do suporte firmemente.

► **Fig.26:** 1. Capa do suporte 2. Bocal 3. Anel de borracha 4. Suporte

5. Empurre a haste delicadamente até o pistão tocar no pacote.

Para remover o pacote, remova a capa do suporte, o bocal, o anel de borracha e, em seguida, empurre a pega da haste para a frente até parar.

Enchimento direto

OBSERVAÇÃO: Assegure que o suporte com tamanho de 600 ml está preso à junta do suporte e que o pistão C está preso à haste. Não utilize outro tipo de suporte e pistão para enchimento direto.

1. Remova a capa do suporte, o bocal e o anel de borracha do suporte.

► **Fig.27:** 1. Capa do suporte 2. Bocal 3. Anel de borracha 4. Suporte

2. Empurre a pega da haste totalmente até parar.

3. Insira a ponta do suporte no material de calafetação e, em seguida, puxe a pega da haste lentamente para encher o suporte com o material de calafetação.

► **Fig.28:** 1. Suporte

4. Prenda o anel de borracha, o bocal e a capa do suporte, rodando a capa do suporte firmemente.

► **Fig.29:** 1. Capa do suporte 2. Bocal 3. Anel de borracha 4. Suporte

Operação de calafetação

Prima o gatilho para alimentar o material de calafetação. Coloque uma mão por baixo do suporte para suportar a ferramenta enquanto a utiliza.

Após a sua utilização, limpe o material de calafetação da ferramenta. Assegure que remove o material de calafetação antes de ficar sólido.

NOTA: No início do funcionamento, regule o indicador de ajuste da velocidade para "1" e prima o gatilho do interruptor lentamente para verificar a quantidade de material de calafetação que é alimentada.

NOTA: Dependendo do tipo e das condições do material de calafetação, poderá não ser alimentado a baixa velocidade. Neste caso, regule o indicador de ajuste da velocidade para um valor mais alto.

NOTA: Se o material de calafetação não for alimentado, verifique os seguintes pontos:

- A ponta do bocal do cartucho não está cortada adequadamente.
- O material de calafetação está sólido e entupido no bocal.
- O cartucho ou o pacote está danificado.
- O material de calafetação está duro. Aqueça o material até ficar mole.
- O pistão preso não é apropriado para o tipo de material de calafetação.

MANUTENÇÃO

PRECAUÇÃO: Certifique-se sempre de que a ferramenta se encontra desligada e de que a bateria foi retirada antes de executar qualquer inspeção ou manutenção.

OBSERVAÇÃO: Nunca utilize gasolina, benzina, diluente, álcool ou produtos semelhantes. Pode ocorrer a descoloração, deformação ou rachaduras.

Para manter a SEGURANÇA e a FIABILIDADE do produto, as reparações e qualquer outra manutenção ou ajuste devem ser levados a cabo pelos centros de assistência Makita autorizados ou pelos centros de assistência de fábrica, utilizando sempre peças de substituição Makita.

ACESSÓRIOS OPCIONAIS

⚠️ PRECAUÇÃO: Estes acessórios ou peças são recomendados para utilização com a ferramenta Makita especificada neste manual. A utilização de outros acessórios ou peças pode ser perigosa para as pessoas. Utilize apenas acessórios ou peças para os fins indicados.

Se necessitar de informações adicionais relativas a estes acessórios, solicite-as ao seu centro de assistência Makita.

- Pistão A
- Pistão B
- Pistão C
- Pistão D
- Pistão E
- Conjunto de suporte com tamanho de 300 ml
- Conjunto de suporte com tamanho de 600 ml
- Conjunto de suporte com tamanho de 800 ml
- Bocal (para o suporte com tamanho de 600 ml)
- Bocal (para o suporte com tamanho de 800 ml)
- Óculos de proteção
- Bateria e carregador genuínos da Makita

NOTA: Alguns itens da lista podem estar incluídos na embalagem da ferramenta como acessórios padrão. Eles podem variar de país para país.

SPECIFIKATIONER

Model:		CG100D
Maks. fremførselsstyrke		5.000 N
Fremførselshastighed		0 - 28 mm/s
Vandring	300 ml holder	214 mm
	600 ml holder	350 mm
	800 ml holder	294 mm
Samlet længde	300 ml holder	404 mm
	600 ml holder	538 mm
	800 ml holder	480 mm
Mærkespænding		D.C. 10,8 V - 12 V maks.
Standard-akku		BL1015 / BL1016 / BL1020B / BL1021B / BL1040B / BL1041B
Oplader		DC10SA / DC10SB / DC10WC / DC10WD
Nettovægt		1,9 - 2,6 kg

- På grund af vores kontinuerlige forsknings- og udviklingsprogrammer kan hosstående specifikationer blive ændret uden varsel.
- Specifikationer og akku kan variere fra land til land.
- Vægten kan være anderledes afhængigt af tilbehøret, inklusive akkuen. Den letteste og tungeste kombination i henhold til EPTA-procedure 01/2014 er vist i tabellen.

Tilsigtet anvendelse

Denne maskine er beregnet til at anvende fugemateriale på overflader.

Lyd

Det typiske A-vægtede støjniveau bestemt i overensstemmelse med EN62841:

Lydtryksniveau (L_{pA}): 70 dB (A) eller derunder
Usikkerhed (K): 3 dB (A)

Støjniveauet under arbejdet kan overskride 80 dB (A).

ADVARSEL: Bær høreværn.

Vibration

Vibrationens totalværdi (tre-aksial vektorsum) bestemt i overensstemmelse med EN62841:

Arbejdstilstand: brug uden belastning
Vibrationsemission (a_{h1}): 2,5 m/s² eller mindre
Usikkerhed (K): 1,5 m/s²

BEMÆRK: Den angivne vibrationsemissionsværdier blevet målt i overensstemmelse med standardtestmetoden og kan anvendes til at sammenligne et værktøj med et andet.

BEMÆRK: Den angivne vibrationsemissionsværdien kan også anvendes i en præliminær eksponeringsvurdering.

ADVARSEL: Vibrationsemissionen under den faktiske anvendelse af værktøjet kan være forskellig fra den erklærede emissionsværdi, afhængigt af den måde, hvorpå værktøjet anvendes.

ADVARSEL: Sørg for at identificere de sikkerhedsforskrifter til beskyttelse af operatøren, som er baseret på en vurdering af eksponering under de faktiske brugsforhold (med hensyntagen til alle dele i brugscyklussen, f.eks. de gange, hvor værktøjet er slukket, og når det kører i tomgang i tilgift til afbrydertiden).

EU-overensstemmelseserklæring

Kun for lande i Europa

EU-overensstemmelseserklæringen er inkluderet som Bilag A i denne brugsanvisning.

SIKKERHEDSADVARSLER

Almindelige sikkerhedsregler for el-værktøj

ADVARSEL: Læs alle de sikkerhedsadvarsler, instruktioner, illustrationer og specifikationer, der følger med denne maskine. Forsømmelse af at overholde alle nedenstående instruktioner kan medføre elektrisk stød, brand og/eller alvorlig personskade.

Gem alle advarsler og instruktioner til fremtidig reference.

Ordet "el-værktøj" i advarslerne henviser til det netforsynede (netledning) el-værktøj eller batteriforsynede (akku) el-værktøj.

Sikkerhedsadvarsler for akku fugepistol

1. Hold hænder og tøj væk fra stangen og stempelområdet. Ellers kan din finger eller dit tøj komme i klemme.
2. Hold godt fast i maskinen.
3. Arbejd altid i et godt ventileret område, og bær passende beskyttelse, der passer til anvendelsen.
4. Læs og overhold producentens instruktioner vedrørende fugemateriale eller klæbende materiale før brugen.

GEM DISSE FORSKRIFTER.

⚠ ADVARSEL: LAD IKKE bekvemmelighed eller kendskab til produktet (opnået gennem gentagen brug) forhindre, at sikkerhedsforskrifterne for produktet nøje overholdes. MISBRUG eller forsømmelse af at følge de i denne brugsvejledning givne sikkerhedsforskrifter kan medføre alvorlig personskade.

Vigtige sikkerhedsinstruktioner for akkuen

1. Læs alle instruktioner og advarselmærkater på (1) akku-opladeren, (2) akkuen og (3) produktet, som anvender akku.
2. Lad være med at skille akkuen ad.
3. Hold straks op med anvendelsen, hvis brugstiden er blevet stærkt afkortet. Forsat anvendelse kan resultere i risiko for overophedning, forbrændinger og endog eksplosion.
4. Hvis De har fået elektrolytvæske i øjnene, skal De straks skylle den ud med rent vand og derefter øjeblikkeligt søge lægehjælp. I modsat fald kan De miste synet.
5. Vær påpasselig med ikke at komme til at kortslutte akkuen:
 - (1) Rør ikke ved terminalerne med noget ledende materiale.
 - (2) Undgå at opbevare akkuen i en beholder sammen med andre genstande af metal, for eksempel søm, mønter og lignende.
 - (3) Udsæt ikke akkuen for vand eller regn. Kortslutning af akkuen kan forårsage en kraftig øgning af strømmen, overophedning, mulige forbrændinger og endog værktøjstop.
6. Opbevar ikke værktøjet og akkuen på et sted, hvor temperaturen kan nå eller overstige 50 °C.
7. Lad være med at brænde akkuen, selv ikke i tilfælde, hvor den har lidt alvorlig skade eller er fuldstændig udtjent. Akkuen kan eksplodere, hvis man forsøger at brænde den.
8. Lad være med at brænde akkuen eller udsætte den for stød.
9. Anvend ikke en beskadiget akku.

10. De indbyggede litium-ion-batterier er underlagt lovkrav vedrørende farligt gods. Ved kommerciel transport, f.eks. af tredjeparts transportselskaber, skal særlige krav til forpakning og mærkning overholdes. Ved forberedelse af udstyret til forsendelse skal du kontakte en ekspert i farligt gods. Overhold også eventuel mere detaljeret national lovgivning. Tape eller tildæk åbne kontakter, og pak batteriet på en måde, så det ikke kan flytte sig rundt i pakningen.
11. Følg de lokale love vedrørende bortskaffelsen af batterier.

GEM DENNE BRUGSANVISNING.

⚠ FORSIGTIG: Brug kun originale batterier fra Makita. Brug af uoriginale Makita-batterier, eller batterier som er blevet ændret, kan muligvis medføre brud på batteriet, hvilket kan forårsage brand, personskade eller beskadigelse. Det ugyldiggør også Makita-garantien for Makita-maskinen og opladeren.

Tips til opnåelse af maksimal akku-levetid

1. Oplad akkuen, inden den er helt afladet. Stop altid værktøjet, og oplad akkuen, hvis De bemærker, at værktøjeffekten er aftagende.
2. Genoplad aldrig en fuldt opladet akku. Overopladning vil afkorte akkuens levetid.
3. Oplad akkuen ved stuetemperatur ved 10 °C - 40 °C. Lad altid en varm akku få tid til at køle af, inden den oplades.

FUNKTIONSBESKRIVELSE

⚠️FORSIGTIG: Sørg altid for at maskinen er slukket, og at akkuen er taget ud, før der udføres justering eller kontrol af funktioner på maskinen.

Isætning eller fjernelse af akkuen

⚠️FORSIGTIG: Sluk altid for værktøjet, før De monterer eller fjerner akkuen.

⚠️FORSIGTIG: Hold værktøjet og akkuen fast ved montering eller fjernelse af akkuen. Hvis De ikke holder værktøjet og akkuen fast, kan de glide ud af hænderne på Dem og forårsage beskadigelse af værktøjet og akkuen eller personskade.

► **Fig.1:** 1. Rød indikator 2. Knap 3. Akku

Akkuen fjernes ved, at De trækker den ud af værktøjet, idet De skyder knappen på forsiden af akkuen i stilling.

Akkuen monteres ved, at De sætter tungen på akkuen ud for noten i kabinettet og lader den glide på plads. Sæt den hele vejen ind, så den låses på plads med et lille klik. Hvis den røde indikator på oversiden af knappen er synlig, betyder det, at den ikke er tilstrækkeligt låst.

⚠️FORSIGTIG: Monter altid akkuen helt, indtil den røde indikator ikke længere er synlig. Hvis dette ikke gøres, kan den falde ud af værktøjet ved et uheld, hvorved De selv eller personer i nærheden kan komme til skade.

⚠️FORSIGTIG: Brug ikke magt ved montering af akkuen. Hvis akkuen ikke glider på plads uden problemer, betyder det, at den ikke sættes i på korrekt vis.

Batteribeskyttelsessystem

Maskinen er udstyret med et batteribeskyttelsessystem. Dette system afbryder automatisk strømmen til motoren for at forlænge akkulevetiden.

Maskinen stopper automatisk under anvendelsen, hvis maskinen og/eller akkuen udsættes for en af de følgende situationer:

Overbelastet:

Maskinen anvendes på en sådan måde, at den bruger unormalt meget strøm.

Sluk i så fald for maskinen, og stop den anvendelse, der medførte, at maskinen blev overbelastet. Tænd derefter for maskinen for at starte igen.

Hvis maskinen ikke starter, er akkuen overophedet. Lad i så fald akkuen køle af, før du tænder for maskinen igen.

Lav spænding på akkuen:

Den resterende batteriladning er for lav, og maskinen vil ikke fungere. Hvis De tænder for maskinen, kører motoren igen, men stopper hurtigt. I denne situation skal De fjerne og oplade akkuen.

Indikation af den resterende batteriladning

Kun til akkuer med indikatoren

► **Fig.2:** 1. Indikatorlamper 2. Kontrolknap

Tryk på kontrolknappen på akkuen for at få vist den resterende batteriladning. Indikatorlampen lyser i nogle sekunder.

Indikatorlamper		Resterende kapacitet
Tændt	Slukket	
■ ■ ■ ■	□	75% til 100%
■ ■ ■ □	□	50% til 75%
■ ■ □ □	□ □	25% til 50%
■ □ □ □	□ □ □ □	0% til 25%

BEMÆRK: Afhængigt af brugsforholdene og den omgivende temperatur kan indikationen afvige en smule fra den faktiske ladning.

Afbryderbetjening

⚠️ADVARSEL: Inden akkuen sættes i maskinen, bør De altid kontrollere, at afbryderknappen fungerer korrekt, og returnerer til "OFF"-positionen, når den slippes.

► **Fig.3:** 1. Afbryderknap 2. Afbryderlåseknap

En afbryderlåseknap forhindrer, at der trykkes på afbryderknappen ved en fejltagelse.

Maskinen startes ved at trykke afbryderlåseknapen ind fra A-siden og trykke på afbryderknappen. Maskinens hastighed øges ved øget tryk på afbryderknappen. Slip afbryderknappen for at stoppe.

Tryk afbryderlåseknapen ind fra B-siden efter brug.

Hastighedsvælger

► **Fig.4:** 1. Hastighedsvælger

Maskinens hastighed kan ændres ved at dreje hastighedsvælgeren. Du kan opnå den største hastighed ved 5 og den laveste hastighed ved 1.

BEMÆRKNING: Undlad at dreje vælgeren hurtigt, når maskinen arbejder.

BEMÆRKNING: Afhængigt af fugematerialets type og tilstand fremføres det muligvis ikke ved lav hastighed. Indstil i så fald hastighedsvælgeren højere.

BEMÆRKNING: Når hastighedsvælgeren flyttes fra "5" til "4", skal du dreje vælgeren mod uret. Brug ikke magt til at dreje vælgeren med uret.

Tænding af lampen foran

⚠️FORSIGTIG: Kig aldrig direkte på lyskilden. Lad ikke lyset falde i Deres øjne.

► Fig.5: 1. Lampe

Tryk let på afbryderknappen, og slip den derefter for at tænde lampen. Lampen slukkes, cirka 10 sekunder efter at afbryderknappen slippes.

BEMÆRKNING: Hvis maskinen bliver overophedet, blinker lampen. Lad i så fald maskinen køle helt ned, før maskinen betjenes igen.

BEMÆRK: Brug en tør klud til at tørre snavset af lampens linse. Pas på ikke at ridse lampens linse, da dette muligvis kan dæmpe belysningen.

Advarselsslampe om overbelastning

► Fig.6: 1. Advarselsslampe

Advarselsslampen blinker, når maskinen er hårdt belastet. Hvis belastningen øges, og maskinen bliver overbelastet, stopper maskinen automatisk, og advarselsslampen vedbliver at lyse. I så fald skal du slippe afbryderknappen og fjerne årsagen til overbelastningen og derefter genstarte maskinen.

BEMÆRK: Tjek følgende punkter, når advarselsslampen blinker:

- Fugematerialet er tilstoppet.
- Hastighedsvælgeren er indstillet til høj hastighed.
- Skæreeområdet på spidsen af patronrydysen eller foliepakken er for lille.

Drypforebyggelsesfunktion

Motoren fortsætter med at køre i et kort tidsrum, efter at afbryderen er sluppet. Dette frigiver trykket i fugematerialet og forhindrer dryp.

SAMLING

⚠️FORSIGTIG: Sørg altid for at maskinen er slukket, og at akkuen er taget ud, før der udføres noget arbejde på maskinen.

Montering eller afmontering af 300 ml holder

Montering eller afmontering af holdersamlingen

Monter holdersamlingen og pladen ved at stramme skruerne fast. Følg monteringsproceduren i omvendt rækkefølge for at afmontere holdersamlingen.

► Fig.7: 1. Skruer 2. Plade 3. Holdersamling

Montering eller afmontering af stangen og stemplet

1. Indsæt stangen fra bagsiden af maskinen med tænderne nedad.

► Fig.8: 1. Kort stang

2. Monter stempel A med skruen.

► Fig.9: 1. Skruer 2. Stempel A 3. Kort stang

BEMÆRKNING: Den eneste tilgængelige type af fugematerialebeholder til 300 ml holder er patron. Sørg for at montere stempel A på stangen.

Følg monteringsproceduren i omvendt rækkefølge for at fjerne stangen og stemplet.

Montering eller afmontering af holderen

⚠️FORSIGTIG: Spænd holderen godt fast på holdersamlingen. Ellers kan holderen falde af under brug og forårsage personskade.

For at montere holderen skal du dreje den fast med uret, indtil den stopper, mens der holdes i holdersamlingen. Følg monteringsproceduren i omvendt rækkefølge for at afmontere holderen.

► Fig.10: 1. Holder

Montering eller afmontering af 600 ml eller 800 ml holder

Montering eller afmontering af holdersamlingen

Monter holdersamlingen og pladen ved at stramme skruerne fast. Følg monteringsproceduren i omvendt rækkefølge for at afmontere holdersamlingen.

For 600 ml holder









► Fig.11: 1. Skruer 2. Plade 3. Holdersamling

For 800 ml holder

► Fig.12: 1. Skruer 2. Holdersamling og plade

Valg af stempeltypen

Vælg den rigtige type stempel i overensstemmelse med fugematerialebeholderen ved at se følgende tabel.

	600 ml holder	800 ml holder
Patron 	Stempel A 	Stempel D 
Foliepakke 	Stempel B 	Stempel E * 
Direkte påfyldning 	Stempel C 	-

*. Ekstraudstyr

Montering eller afmontering af stangen og stemplet

1. Indsæt stangen fra bagsiden af maskinen med tænderne nedad.

► **Fig.13:** 1. Lang stang eller sort stang

BEMÆRKNING: For 600 ml holderen skal du bruge den lange stang. For 800 ml holderen skal du bruge den sorte stang.

2. Monter stemplet med skruen.

► **Fig.14:** 1. Skruer 2. Stempel 3. Lang stang eller sort stang

Følg monteringsproceduren i omvendt rækkefølge for at fjerne stangen og stemplet.

Montering eller afmontering af 600 ml eller 800 ml holder

⚠FORSIGTIG: Spænd holderen godt fast på holdersamlingen. Ellers kan holderen falde af under brug og forårsage personskade.

For at montere holderen skal du dreje den fast med uret, indtil den stopper, mens der holdes i holdersamlingen.

► **Fig.15:** 1. Holder

Følg monteringsproceduren i omvendt rækkefølge for at afmontere holderen.

ANVENDELSE

Brug af patron

Forberedelse af patron til brug

1. Indstil spidsen af patrone dysen, så den passende mængde fugemateriale fremføres.

► **Fig.16:** 1. Dyse

2. Lav et hul i den beskyttende folie med spidsen af dysen.

► **Fig.17:** 1. Dyse

3. Monter dysen på patronen.

BEMÆRKNING: Sørg for at kontrollere patronen for beskadigelse før monteringen. Brug af en beskadiget patron kan medføre fejlfunktion.

BEMÆRKNING: Ved genbrug af en delvist brugt patron skal du sørge for at fjerne det størknede fugemateriale før monteringen.

Montering af patron til 300 ml holder

BEMÆRKNING: Sørg for, at stempel A er monteret på stangen. Anvend ikke en anden type stempel til patronen.

1. Træk langsomt håndtaget på stangen tilbage, indtil det stopper.

► **Fig.18:** 1. Håndtag på stang

2. Sæt patronen ind i holderen som vist på figuren.

► **Fig.19**

3. Skub forsigtigt stangen, indtil stemplet berører bunden af patronen.

Følg monteringsproceduren i omvendt rækkefølge for at afmontere patronen.

Montering af patron til 600 ml eller 800 ml holder

BEMÆRKNING: Sørg for, at stempel A (for 600 ml holder) eller stempel D (for 800 ml holder) er monteret på stangen. Anvend ikke en anden type stempel til patronen.

1. Fjern holderlåget fra holderen, og træk derefter langsomt håndtaget på stangen tilbage, indtil det stopper.

► **Fig.20:** 1. Holderlåg 2. Håndtag på stang

2. Sæt patronen i holderen.

► **Fig.21:** 1. Holder

3. Monter holderlåget ved at dreje det fast, idet der holdes i holderen.

► **Fig.22:** 1. Holderlåg 2. Holder

4. Skub forsigtigt stangen, indtil stemplet berører bunden af patronen.

Følg monteringsproceduren i omvendt rækkefølge for at afmontere patronen.

Brug af foliepakke

Forberedelse af pakke til brug

Skær spidsen af pakken.

► **Fig.23**

BEMÆRKNING: Sørg for at kontrollere pakken for beskadigelse før monteringen. Brug af en beskadiget pakke kan medføre fejlfunktion.

Montering af foliepakke til 600 ml eller 800 ml holder

BEMÆRKNING: Sørg for, at stempel B (for 600 ml holder) eller stempel E (for 800 ml holder) er monteret på stangen. Anvend ikke en anden type stempel til foliepakken.

1. Fjern holderlåget, dysen og gummiringen fra holderen.

► **Fig.24:** 1. Holderlåg 2. Dyse 3. Gummiring 4. Holder

2. Træk langsomt håndtaget på stangen tilbage, indtil det stopper.

3. Sæt pakken i holderen.

► **Fig.25:** 1. Holder

4. Monter gummiringen, dysen og holderlåget ved at dreje holderlåget fast.

► **Fig.26:** 1. Holderlåg 2. Dyse 3. Gummiring 4. Holder

5. Skub forsigtigt stangen, indtil stemplet berører pakken.

For at fjerne pakken skal du fjerne holderlåget, dysen og gummiringen og derefter skubbe håndtaget på stangen fremad, indtil det stopper.

Direkte påfyldning

BEMÆRKNING: Sørg for, at for 600 ml holderen er monteret på holdersamlingen, og at stempel C er monteret på stangen. Anvend ikke en anden type holder og stempel til direkte påfyldning.

1. Fjern holderlåget, dysen og gummiringen fra holderen.

► **Fig.27:** 1. Holderlæg 2. Dyse 3. Gummiring
4. Holder

2. Skub håndtaget på stangen hele vejen, indtil det stopper.

3. Sæt spidsen af holderen ned i fugematerialet, og træk derefter håndtaget på stangen langsomt for at fylde holderen med fugemateriale.

► **Fig.28:** 1. Holder

4. Monter gummiringen, dysen og holderlåget ved at dreje holderlåget fast.

► **Fig.29:** 1. Holderlæg 2. Dyse 3. Gummiring
4. Holder

Brug til fugning

Tryk på afbryderen for at fremføre fugematerialet. Placer en hånd under holderen for at understøtte maskinen, mens den bruges. Aftør fugematerialet fra maskinen efter brugen. Sørg for at fjerne fugematerialet, før det størkner.

BEMÆRK: Ved starten af brugen skal du indstille hastighedsvælgeren til "1" og trykke langsomt på afbryderknappen for at kontrollere, hvor meget fugemateriale der fremføres.

BEMÆRK: Afhængigt af fugematerialets type og tilstand fremføres det muligvis ikke ved lav hastighed. Indstil i så fald hastighedsvælgeren højere.

BEMÆRK: Tjek følgende punkter, hvis fugematerialet ikke fremføres:

- Spidsen af patron dysen er ikke skåret tilstrækkeligt.
- Fugematerialet er størknet og tilstoppet i dysen.
- Patronen eller pakken er beskadiget.
- Fugematerialet er stift. Opvarm materialet, indtil det bløder op.
- Det monterede stempel passer ikke til typen af fugemateriale.

VEDLIGEHOLDELSE

⚠FORSIGTIG: Vær altid sikker på, at værktøjet er slukket, og at akkuen er taget ud, inden De begynder at udføre inspektion eller vedligeholdelse.

BEMÆRKNING: Anvend aldrig benzin, rensbenzin, fortynder, alkohol og lignende. Det kan medføre misfarvning, deformation eller revner.

For at opretholde produktets SIKKERHED og PÅLIDELIGHED må reparation, vedligeholdelse eller justering kun udføres af et autoriseret Makita servicecenter eller fabrikkervicecenter med anvendelse af Makita reservedele.

EKSTRAUDSTYR

⚠FORSIGTIG: Det følgende tilbehør og ekstraudstyr er anbefalet til brug med Deres Makita maskine, der er beskrevet i denne brugsanvisning. Anvendelse af andet tilbehør eller ekstraudstyr kan udgøre en risiko for personskade. Anvend kun tilbehør og ekstraudstyr til det beskrevne formål.

Hvis De behøver hjælp ved valg af tilbehør eller ønsker yderligere informationer, bedes De kontakte Deres lokale Makita servicecenter.

- Stempel A
- Stempel B
- Stempel C
- Stempel D
- Stempel E
- 300 ml holdersæt
- 600 ml holdersæt
- 800 ml holdersæt
- Dyse (til 600 ml holder)
- Dyse (til 800 ml holder)
- Beskyttelsesbriller
- Original Makita-akku og oplader

BEMÆRK: Nogle ting på denne liste kan være inkluderet i værktøjsspakken som standardtilbehør. Det kan være forskellige fra land til land.

ΠΡΟΔΙΑΓΡΑΦΕΣ

Μοντέλο:		CG100D
Μέγιστη δύναμη τροφοδοσίας		5.000 N
Ταχύτητα τροφοδοσίας		0 - 28 mm/s
Διαδρομή	Συγκρατητής μεγέθους 300 ml	214 mm
	Συγκρατητής μεγέθους 600 ml	350 mm
	Συγκρατητής μεγέθους 800 ml	294 mm
Συνολικό μήκος	Συγκρατητής μεγέθους 300 ml	404 mm
	Συγκρατητής μεγέθους 600 ml	538 mm
	Συγκρατητής μεγέθους 800 ml	480 mm
Ονομαστική τάση		D.C. 10,8 V - 12 V μέγ.
Στάνταρ κασέτα μπαταριών		BL1015 / BL1016 / BL1020B / BL1021B / BL1040B / BL1041B
Φορτιστής		DC10SA / DC10SB / DC10WC / DC10WD
Καθαρό βάρος		1,9 - 2,6 kg

- Λόγω του συνεχιζόμενου προγράμματος έρευνας και ανάπτυξης, οι προδιαγραφές αυτές υπόκεινται σε αλλαγές χωρίς προειδοποίηση.
- Οι προδιαγραφές και η κασέτα μπαταριών μπορεί να διαφέρουν ανάλογα με τη χώρα.
- Το βάρος μπορεί να διαφέρει ανάλογα με τα προσαρτήματα, συμπεριλαμβανοντας την κασέτα μπαταριών. Ο ελαφρύτερος και ο βαρύτερος συνδυασμός, σύμφωνα με τη διαδικασία ΕΡΤΑ 01/2014, παρουσιάζονται στον πίνακα.

Προοριζόμενη χρήση

Αυτό το εργαλείο προορίζεται για την εφαρμογή υλικού στοκαρίσματος σε επιφάνειες.

Θόρυβος

Το τυπικό Α επίπεδο καταμετρημένου θορύβου καθορίζεται σύμφωνα με το EN62841:

Στάθμη ηχητικής πίεσης (L_{pA}): 70 dB (A) ή λιγότερο
Αβεβαιότητα (K): 3 dB (A)

Η ένταση θορύβου υπό συνθήκες εργασίας μπορεί να υπερβεί τα 80 dB (A).

▲ ΠΡΟΕΙΔΟΠΟΙΗΣΗ: Να φοράτε ωτοασπίδες.

Κραδασμός

Η ολική τιμή δόνησης (άθροισμα τρι-αξονικού διανύσματος) καθορίζεται σύμφωνα με το EN62841:

Είδος εργασίας: λειτουργία χωρίς φορτίο
Εκπομπή δόνησης (a_{h1}): 2,5 m/s^2 ή λιγότερο
Αβεβαιότητα (K): 1,5 m/s^2

ΠΑΡΑΤΗΡΗΣΗ: Η δηλωμένη τιμή εκπομπής κραδασμών έχει μετρηθεί σύμφωνα με την πρότυπη μέθοδο δοκιμής και μπορεί να χρησιμοποιηθεί για τη σύγκριση ενός εργαλείου με άλλο.

ΠΑΡΑΤΗΡΗΣΗ: Η δηλωμένη τιμή εκπομπής κραδασμών μπορεί να χρησιμοποιηθεί και στην προκαταρκτική αξιολόγηση έκθεσης.

▲ ΠΡΟΕΙΔΟΠΟΙΗΣΗ: Η εκπομπή κραδασμών κατά τη χρήση του ηλεκτρικού εργαλείου σε πραγματικές συνθήκες μπορεί να διαφέρει από τη δηλωμένη τιμή εκπομπής ανάλογα με τον τρόπο χρήσης του εργαλείου.

▲ ΠΡΟΕΙΔΟΠΟΙΗΣΗ: Φροντίστε να λάβετε τα κατάλληλα μέτρα προστασίας του χειριστή βάσει ενός υπολογισμού της έκθεσης σε πραγματικές συνθήκες χρήσης (λαμβάνοντας υπόψη όλες τις συνιστώσες του κύκλου λειτουργίας όπως τους χρόνους που το εργαλείο είναι εκτός λειτουργίας και όταν βρίσκεται σε αδρανή λειτουργία πέραν του χρόνου ενεργοποίησης).

Δήλωση συμμόρφωσης ΕΚ

Μόνο για χώρες της Ευρώπης

Η δήλωση συμμόρφωσης ΕΚ περιλαμβάνεται ως Παράρτημα Α στο παρόν εγχειρίδιο οδηγιών.

ΠΡΟΕΙΔΟΠΟΙΗΣΕΙΣ ΑΣΦΑΛΕΙΑΣ

Γενικές προειδοποιήσεις ασφαλείας για το ηλεκτρικό εργαλείο

▲ ΠΡΟΕΙΔΟΠΟΙΗΣΗ: Διαβάστε όλες τις προειδοποιήσεις ασφαλείας, οδηγίες, εικονογραφημένες και προδιαγραφές που παρέχονται με αυτό το ηλεκτρικό εργαλείο. Η μη τήρηση όλων των οδηγιών που αναγράφονται κατωτέρω μπορεί να καταλήξει σε ηλεκτροπληξία, πυρκαγιά ή/και σοβαρό τραυματισμό.

Φυλάξτε όλες τις προειδοποιήσεις και τις οδηγίες για μελλοντική παραπομπή.

Στις προειδοποιήσεις, ο όρος «ηλεκτρικό εργαλείο» αναφέρεται σε ηλεκτρικό εργαλείο που τροφοδοτείται από την κύρια παροχή ηλεκτρικού ρεύματος (με ηλεκτρικό καλώδιο) ή σε ηλεκτρικό εργαλείο που τροφοδοτείται από μπαταρία (χωρίς ηλεκτρικό καλώδιο).

Προειδοποιήσεις ασφάλειας για το φορητό πιστόλι στοκαρίσματος

1. Κρατήστε τα χέρια και τα ρούχα σας μακριά από την περιοχή ράβδου και εμβόλου. Διαφορετικά, το δάχτυλο ή τα ρούχα σας μπορεί να πιαστούν σε αυτά.
2. Κρατάτε το εργαλείο σταθερά.
3. Να εργάζεστε πάντα σε καλά αεριζόμενη περιοχή και να φοράτε σωστά προστατευτικά μέσα ανάλογα με την εργασία.
4. Διαβάστε και τηρήστε τις οδηγίες του κατασκευαστή σχετικά με το υλικό στοκαρίσματος ή το κολλητικό υλικό πριν από τη χρήση.

ΦΥΛΑΞΕΤΕ ΑΥΤΕΣ ΤΙΣ ΟΔΗΓΙΕΣ.

⚠ ΠΡΟΕΙΔΟΠΟΙΗΣΗ: ΜΗΝ επιτρέψετε στην άνεση ή στην εξοικείωσή σας με το προϊόν (που αποκτήθηκε από επανειλημμένη χρήση) να αντικαταστήσει την αυστηρή τήρηση των κανόνων ασφαλείας του παρόντος εργαλείου. Η **ΛΑΝΘΑΣΜΕΝΗ ΧΡΗΣΗ** ή η αμέλεια να ακολουθήσετε τους κανόνες ασφαλείας που διατυπώνονται στο παρόν εγχειρίδιο οδηγιών μπορεί να προκαλέσει σοβαρό προσωπικό τραυματισμό.

Σημαντικές οδηγίες ασφαλείας για κασέτα μπαταριών

1. Πριν χρησιμοποιήσετε την κασέτα μπαταριών, διαβάστε όλες τις οδηγίες και σημειώσεις προφύλαξης (1) στον φορτιστή μπαταριών, (2) στην μπαταρία και (3) στο προϊόν που χρησιμοποιεί την μπαταρία.
2. Μην αποσυναρμολογήσετε την κασέτα μπαταριών.
3. Εάν ο χρόνος λειτουργίας έχει γίνει υπερβολικά βραχύς, σταματήστε τη λειτουργία αμέσως. Αλλιώς, μπορεί να έχει ως αποτέλεσμα κίνδυνο υπερθέρμανσης, πιθανά εγκαύματα ή ακόμη και έκρηξη.
4. Εάν ηλεκτρολύτης μπει στα μάτια σας, ξεπλύνετε τα με καθαρό νερό και ζητήστε ιατρική φροντίδα αμέσως. Αλλιώς, μπορεί να έχει ως αποτέλεσμα απώλεια της όρασής σας.
5. Μην βραχυκυκλώνετε την κασέτα μπαταριών:
 - (1) Μην αγγίζετε τους πόλους με οτιδήποτε αγώγιμο υλικό.
 - (2) Αποφεύγετε να αποθηκεύετε την κασέτα μπαταριών μέσα σε ένα δοχείο μαζί με άλλα μεταλλικά αντικείμενα όπως καρφιά, νομίσματα, κλπ.
 - (3) Μην εκθέτετε την κασέτα μπαταριών στο νερό ή στη βροχή.

Ένα βραχυκύκλωμα μπαταρίας μπορεί να προκαλέσει μεγάλη ροή ρεύματος, υπερθέρμανση, πιθανά εγκαύματα ακόμη και σοβαρή βλάβη.

6. Μην αποθηκεύετε το εργαλείο και την κασέτα μπαταριών σε τοποθεσίες όπου η θερμοκρασία μπορεί να φτάσει ή να ξεπεράσει τους 50°C.
7. Μην καίτε την κασέτα μπαταριών ακόμη και εάν έχει σοβαρή ζημιά ή είναι εντελώς φθαρμένη. Η κασέτα μπαταριών μπορεί να εκραγεί στη φωτιά.
8. Προσέχετε να μη ρίξετε κάτω ούτε να χτυπήσετε την μπαταρία.
9. Μην χρησιμοποιείτε μπαταρία που έχει υποστεί ζημιά.
10. Οι μπαταρίες ιόντων λιθίου που περιέχονται υπόκεινται στις απαιτήσεις της νομοθεσίας για επικίνδυνα αγαθά.
Για εμπορικές μεταφορές, για παράδειγμα από τρίτα μέρη, πρέπει να τηρούνται οι διαμεταφορές, οι ειδικές απαιτήσεις στη συσκευασία και η επισήμανση.
Για προετοιμασία του στοιχείου που αποστέλλεται, είναι απαραίτητο να συμβουλευτείτε έναν ειδικό για επικίνδυνα υλικά. Επίσης, τηρήστε τους πιθανούς, πιο αναλυτικούς εθνικούς κανονισμούς. Καλύψτε με αυτοκόλλητη ταινία ή κρύψτε τις ανοικτές επαφές και συσκευάστε την μπαταρία με τρόπο που να μην μπορεί να μετακινείται μέσα στη συσκευασία.
11. Τηρήστε τους τοπικούς κανονισμούς που σχετίζονται με τη διάθεση της μπαταρίας.

ΦΥΛΑΞΕΤΕ ΤΙΣ ΟΔΗΓΙΕΣ ΑΥΤΕΣ.

⚠ ΠΡΟΣΟΧΗ: Να χρησιμοποιείτε μόνο γνήσιες μπαταρίες της Makita. Η χρήση μη γνήσιων μπαταριών Makita, ή μπαταριών που έχουν τροποποιηθεί, μπορεί να έχει ως αποτέλεσμα τη ρήξη της μπαταρίας, προκαλώντας πυρκαγιά, προσωπικό τραυματισμό και βλάβη. Επίσης, θα ακυρωθεί η εγγύηση της Makita για το εργαλείο και φορτιστή Makita.

Συμβουλές για τη διατήρηση της μέγιστης ζωής μπαταρίας

1. Φορτίζετε την κασέτα μπαταριών πριν από την πλήρη αποφόρτισή της. Πάντοτε να σταματάτε τη λειτουργία του εργαλείου και να φορτίζετε την κασέτα μπαταριών όταν παρατηρείτε μειωμένη ισχύ εργαλείου.
2. Ποτέ μην επαναφορτίζετε μια πλήρως φορτισμένη κασέτα μπαταριών. Η υπερφόρτιση μειώνει την ωφέλιμη ζωή της μπαταρίας.
3. Να φορτίζετε την κασέτα μπαταριών σε θερμοκρασία δωματίου, δηλαδή στους 10°C έως 40°C. Αφήστε μια θερμή κασέτα μπαταριών να κρυώσει πριν την φορτίσετε.

ΠΕΡΙΓΡΑΦΗ ΛΕΙΤΟΥΡΓΙΑΣ

⚠️ ΠΡΟΣΟΧΗ: Να φροντίζετε πάντα για την απενεργοποίηση του εργαλείου και την αφαίρεση της κασέτας μπαταρίας, πριν από οποιαδήποτε ρύθμιση ή έλεγχο της λειτουργίας του.

Τοποθέτηση ή αφαίρεση της κασέτας μπαταριών

⚠️ ΠΡΟΣΟΧΗ: Να σβήσετε πάντα το εργαλείο πριν τοποθετήσετε ή αφαιρέσετε την κασέτα μπαταριών.

⚠️ ΠΡΟΣΟΧΗ: Κρατήστε το εργαλείο και την κασέτα μπαταριών σταθερά κατά την τοποθέτηση ή αφαίρεση της κασέτας μπαταριών. Εάν δεν κρατάτε το εργαλείο και την κασέτα μπαταριών σταθερά μπορεί να γλιστρήσουν από τα χέρια σας και να προκαλέσει βλάβη στο εργαλείο και την κασέτα μπαταριών και προσωπικούς τραυματισμούς.

► **Εικ.1:** 1. Κόκκινη ένδειξη 2. Κουμπί 3. Κασέτα μπαταριών

Για να αφαιρέσετε την κασέτα μπαταριών, ολισθήστε την από το εργαλείο ενώ σύρετε το κουμπί στο μπροστινό μέρος της κασέτας.

Για να τοποθετήσετε την κασέτα μπαταριών, ευθυγραμμίστε τη γλώσσα στην κασέτα μπαταριών με την αύλακα στην υποδοχή και ολισθήστε τη στη θέση της. Να την τοποθετείτε πλήρως μέχρι να ασφαλίσει στη θέση της, γεγονός που υποδεικνύεται με ένα χαρακτηριστικό ήχο. Εάν μπορείτε να δείτε την κόκκινη ένδειξη στην επάνω πλευρά του κουμπιού, δεν έχει κλειδώσει τελείως.

⚠️ ΠΡΟΣΟΧΗ: Να τοποθετείτε πάντα την κασέτα μπαταριών πλήρως μέχρι να μη βλέπετε την κόκκινη ένδειξη. Εάν δεν ασφαλιστεί, μπορεί να πέσει από το εργαλείο τυχαία, προκαλώντας σωματική βλάβη σε εσάς ή κάποιον άλλο γύρω σας.

⚠️ ΠΡΟΣΟΧΗ: Μην τοποθετείτε την κασέτα μπαταριών με βία. Εάν η κασέτα δεν ολισθαίνει με ευκολία, τότε δεν έχει τοποθετηθεί κατάλληλα.

Σύστημα προστασίας μπαταρίας

Το εργαλείο είναι εξοπλισμένο με σύστημα προστασίας της μπαταρίας. Αυτό το σύστημα αποκόπτει αυτόματα την ισχύ προς το μοτέρ για να παραταθεί η διάρκεια ζωής της μπαταρίας.

Το εργαλείο σταματάει αυτόματα κατά τη διάρκεια της λειτουργίας αν το εργαλείο ή/και η μπαταρία βρεθούν κάτω από τις παρακάτω συνθήκες:

Υπερφόρτωση:

Το εργαλείο λειτουργεί με τρόπο ώστε να αναγκάζεται να καταναλώνει ασυνήθιστα υψηλό ρεύμα.

Σε αυτή την κατάσταση, σβήστε το εργαλείο και διακόψτε την εφαρμογή που προκαλεί την υπερφόρτωση του εργαλείου. Μετά, ενεργοποιήστε το εργαλείο για επανεκκίνηση. Αν το εργαλείο δεν ξεκινάει, η μπαταρία έχει υπερθερμανθεί. Σε αυτή την κατάσταση, αφήστε την μπαταρία να κρυώσει πριν ενεργοποιήσετε ξανά το εργαλείο.

Χαμηλή τάση μπαταρίας:

Η υπόλοιπη χωρητικότητα μπαταρίας είναι πολύ χαμηλή και το εργαλείο δεν λειτουργεί. Αν ενεργοποιήσετε το εργαλείο, το μοτέρ θα τεθεί ξανά σε λειτουργία αλλά θα σταματήσει σύντομα. Σε αυτή την περίπτωση, αφαιρέστε και επαναφορτίστε την μπαταρία.

Εμφάνιση υπολειπόμενης χωρητικότητας μπαταρίας

Μόνο για κασέτες μπαταρίας με την ενδεικτική λυχνία

► **Εικ.2:** 1. Ενδεικτικές λυχνίες 2. Κουμπί ελέγχου

Πίστετε το κουμπί ελέγχου στην κασέτα μπαταριών για να υποδείξετε την υπολειπόμενη χωρητικότητα μπαταρίας. Οι ενδεικτικές λυχνίες ανάβουν για λίγα δευτερόλεπτα.

Ενδεικτικές λυχνίες		Υπόλοιπη χωρητικότητα
Αναμμένες	Σβηστές	
		75% έως 100%
		50% έως 75%
		25% έως 50%
		0% έως 25%

ΠΑΡΑΤΗΡΗΣΗ: Ανάλογα με τις συνθήκες χρήσης και τη θερμοκρασία περιβάλλοντος, η ένδειξη μπορεί να διαφέρει λίγο από την πραγματική χωρητικότητα.

Δράση διακόπτη

⚠️ ΠΡΟΕΙΔΟΠΟΙΗΣΗ: Πριν βάλετε την κασέτα μπαταρίας μέσα στο εργαλείο, να ελέγχετε πάντα να δείτε αν η σκανδάλη διακόπτης ενεργοποιείται κανονικά και επιστρέφει στη θέση «OFF» όταν ελευθερώνεται.

► **Εικ.3:** 1. Σκανδάλη διακόπτης 2. Κουμπί ασφάλισης σκανδάλης

Για να αποφύγετε το τράβηγμα της σκανδάλης διακόπτη κατά λάθος, υπάρχει το κουμπί ασφάλισης σκανδάλης.

Για να ξεκινήσετε το εργαλείο, πατήστε το κουμπί ασφάλισης σκανδάλης από την πλευρά Α και τραβήξτε τη σκανδάλη διακόπτη. Η ταχύτητα του εργαλείου αυξάνει αν αυξήσετε την πίεση στη σκανδάλη διακόπτη. Για διακοπή της λειτουργίας, ελευθερώστε τη σκανδάλη διακόπτη.

Μετά τη χρήση, πατήστε το κουμπί ασφάλισης σκανδάλης από την πλευρά Β.

Επιλογέας ρύθμισης ταχύτητας

► **Εικ.4:** 1. Επιλογέας ρύθμισης ταχύτητας

Εάν περιστρέψετε τον επιλογέα ρύθμισης ταχύτητας, μπορείτε να ρυθμίσετε την ταχύτητα του εργαλείου. Μπορείτε να έχετε την υψηλότερη ταχύτητα στο 5 και τη χαμηλότερη ταχύτητα στο 1.

ΕΙΔΟΠΟΙΗΣΗ: Μην περιστρέψετε τον επιλογέα γρήγορα όταν το εργαλείο λειτουργεί.

ΕΙΔΟΠΟΙΗΣΗ: Ανάλογα με το είδος και τις συνθήκες του υλικού στοκαρίσματος, αυτό μπορεί να μην τροφοδοτείται σε χαμηλή ταχύτητα. Σε αυτή την περίπτωση, θέστε τον επιλογέα ρύθμισης ταχύτητας σε υψηλότερη τιμή.

ΕΙΔΟΠΟΙΗΣΗ: Όταν αλλάζετε τον επιλογέα ταχύτητας από «5» σε «1», περιστρέψτε τον επιλογέα αριστερόστροφα. Μην περιστρέψετε τον επιλογέα δεξιόστροφα με δύναμη.

Αναμμα της μπροστινής λάμπας

▲ΠΡΟΣΟΧΗ: Μην κοιτάζετε κατευθείαν μέσα στο φως ή στην πηγή φωτός.

► **Εικ.5:** 1. Λάμπα

Για να ανάψετε τη λάμπα, τραβήξτε λίγο τη σκανδάλη διακόπτη και μετά αφήστε την. Η λάμπα σβήνει περίπου 10 δευτερόλεπτα αφού αφήσετε τη σκανδάλη διακόπτη.

ΕΙΔΟΠΟΙΗΣΗ: Όταν το εργαλείο έχει υπερθερμανθεί, η λάμπα αναβοσβήνει. Αφήστε τη θερμοκρασία του εργαλείου να μειωθεί πριν θέσετε ξανά το εργαλείο σε λειτουργία.

ΠΑΡΑΤΗΡΗΣΗ: Χρησιμοποιήστε ένα στεγνό πανί για να σκουπίσετε τη σκόνη από το φακό της λάμπας. Προσέχετε να μη γρατζουνίσετε το φακό της λάμπας, επειδή μπορεί να μειωθεί η ένταση του φωτισμού.

Λάμπα προειδοποίησης υπερφόρτωσης

► **Εικ.6:** 1. Λάμπα προειδοποίησης

Η λάμπα προειδοποίησης αναβοσβήνει όταν το εργαλείο φορτώνεται πάρα πολύ. Αν το φορτίο αυξηθεί και το εργαλείο υπερφορτωθεί, το εργαλείο σταματάει αυτόματα και η λάμπα προειδοποίησης παραμένει αναμμένη. Σε αυτή την περίπτωση, αφήστε τη σκανδάλη διακόπτη, αφαιρέστε την αιτία της υπερφόρτωσης και μετά εκκινήστε ξανά το εργαλείο.

ΠΑΡΑΤΗΡΗΣΗ: Όταν η λάμπα προειδοποίησης αναβοσβήνει, ελέγξτε τα ακόλουθα σημεία:

- Το υλικό στοκαρίσματος είναι φραγμένο.
- Ο επιλογέας ρύθμισης ταχύτητας έχει τεθεί σε υψηλή ταχύτητα.
- Η περιοχή κοπής της μύτης του ακροφυσίου κασέτας ή το πακέτο τύπου φιλμ είναι πολύ μικρή.

Λειτουργία αποφυγής σταξίματος

Το μοτέρ συνεχίζει να λειτουργεί για λίγο διάστημα ακόμη και αφού αφήσετε τη σκανδάλη. Εκτονώνει την πίεση του υλικού στοκαρίσματος και εμποδίζει το στάξιμο.

ΣΥΝΑΡΜΟΛΟΓΗΣΗ

▲ΠΡΟΣΟΧΗ: Να βεβαιώνετε πάντα ότι το εργαλείο είναι σβηστό και η κασέτα μπαταρίας έχει αφαιρεθεί πριν εκτελέσετε κάποια εργασία στο εργαλείο.

Τοποθέτηση ή αφαίρεση του συγκρατητή μεγέθους 300 ml

Τοποθέτηση ή αφαίρεση του συνδέσμου συγκρατητή

Συνδέστε τον σύνδεσμο συγκρατητή και την πλάκα ασφαλιζοντας καλά τις βίδες. Για να αφαιρέσετε τον σύνδεσμο συγκρατητή, ακολουθήστε τις διαδικασίες τοποθέτησης σε αντίστροφη σειρά.

► **Εικ.7:** 1. Βίδα 2. Πλάκα 3. Σύνδεσμος συγκρατητή

Τοποθέτηση ή αφαίρεση της ράβδου και πιστονιού

1. Εισαγάγετε τη ράβδο από την πίσω πλευρά του εργαλείου με το δόντι της στραμμένο προς τα κάτω.

► **Εικ.8:** 1. Κοντή ράβδος

2. Συνδέστε το πιστόνι Α με τη βίδα.

► **Εικ.9:** 1. Βίδα 2. Πιστόνι Α 3. Κοντή ράβδος

ΕΙΔΟΠΟΙΗΣΗ: Ο διαθέσιμος τύπος του περιέκτη υλικού στοκαρίσματος για τον συγκρατητή μεγέθους 300 ml είναι μόνο η κασέτα. Βεβαιωθείτε να συνδέσετε το πιστόνι Α στη ράβδο.

Για να αφαιρέσετε τη ράβδο και το πιστόνι, ακολουθήστε τη διαδικασία τοποθέτησης με αντίστροφη σειρά.

Τοποθέτηση ή αφαίρεση του συγκρατητή

▲ΠΡΟΣΟΧΗ: Ασφαλίστε καλά τον συγκρατητή στον σύνδεσμο συγκρατητή. Διαφορετικά, ο συγκρατητής μπορεί να βγει κατά τη διάρκεια της λειτουργίας και να προκαλέσει τραυματισμό.

Για να τοποθετήσετε τον συγκρατητή, περιστρέψτε τον σταθερά δεξιόστροφα μέχρι να σταματήσει ενώ κρατάτε τον σύνδεσμο συγκρατητή. Για να αφαιρέσετε τον συγκρατητή, ακολουθήστε τις διαδικασίες τοποθέτησης σε αντίστροφη σειρά.

► **Εικ.10:** 1. Συγκρατητής

Τοποθέτηση ή αφαίρεση του συγκρατητή μεγέθους 600 ml ή 800 ml

Τοποθέτηση ή αφαίρεση του συνδέσμου συγκρατητή

Συνδέστε τον σύνδεσμο συγκρατητή και την πλάκα ασφαλιζοντας καλά τις βίδες. Για να αφαιρέσετε τον σύνδεσμο συγκρατητή, ακολουθήστε τις διαδικασίες τοποθέτησης σε αντίστροφη σειρά.

Για συγκρατητή μεγέθους 600 ml









► **Εικ.11:** 1. Βίδα 2. Πλάκα 3. Σύνδεσμος συγκρατητή

Για συγκρατητή μεγέθους 800 ml

► **Εικ.12:** 1. Βίδα 2. Σύνδεσμος συγκρατητή και πλάκα

Επιλογή του τύπου πιστονιού

Επιλέξτε τον σωστό τύπο πιστονιού, ανάλογα με τον περιέκτη του υλικού στοκαρίσματος, ανατρέχοντας στον ακόλουθο πίνακα.

	Συγκρατητής μεγέθους 600 ml	Συγκρατητής μεγέθους 800 ml
Κασέτα 	Πιστόνι Α 	Πιστόνι D 
Πακέτο φιλμ 	Πιστόνι Β 	Πιστόνι Ε * 
Άμεση πλήρωση 	Πιστόνι C 	-

*. Προαιρετικό εξάρτημα

Τοποθέτηση ή αφαίρεση της ράβδου και πιστονιού

1. Εισαγάγετε τη ράβδο από την πίσω πλευρά του εργαλείου με το δόντι της στραμμένο προς τα κάτω.
► **Εικ.13:** 1. Μακριά ράβδος ή μαύρη ράβδος

ΕΙΔΟΠΟΙΗΣΗ: Για συγκρατητή μεγέθους 600 ml, χρησιμοποιήστε τη μακριά ράβδο. Για συγκρατητή μεγέθους 800 ml, χρησιμοποιήστε τη μαύρη ράβδο.

2. Συνδέστε το πιστόνι με τη βίδα.

► **Εικ.14:** 1. Βίδα 2. Πιστόνι 3. Μακριά ράβδος ή μαύρη ράβδος

Για να αφαιρέσετε τη ράβδο και το πιστόνι, ακολουθήστε τη διαδικασία τοποθέτησης με αντίστροφη σειρά.

Τοποθέτηση ή αφαίρεση του συγκρατητή μεγέθους 600 ml ή 800 ml

▲ΠΡΟΣΟΧΗ: Ασφαλίστε καλά τον συγκρατητή στον σύνδεσμο συγκρατητή. Διαφορετικά, ο συγκρατητής μπορεί να βγει κατά τη διάρκεια της λειτουργίας και να προκαλέσει τραυματισμό.

Για να τοποθετήσετε τον συγκρατητή, περιστρέψτε τον σταθερά δεξιότροφα μέχρι να σταματήσει ενώ κρατάτε τον σύνδεσμο συγκρατητή.

► **Εικ.15:** 1. Συγκρατητής

Για να αφαιρέσετε τον συγκρατητή, ακολουθήστε τις διαδικασίες τοποθέτησης σε αντίστροφη σειρά.

ΛΕΙΤΟΥΡΓΙΑ

Χρήση κασέτας

Προετοιμασία κασέτας για χρήση

- Κόψτε τη μύτη του ακροφυσίου κασέτας για να τροφοδοτείται η κατάλληλη ποσότητα υλικού στοκαρίσματος.
► **Εικ.16:** 1. Ακροφύσιο
- Φτιάξτε μια τρύπα στο προστατευτικό φιλμ με τη μύτη του ακροφυσίου.
► **Εικ.17:** 1. Ακροφύσιο
- Συνδέστε το ακροφύσιο στην κασέτα.

ΕΙΔΟΠΟΙΗΣΗ: Φροντίστε να ελέγχετε την κασέτα για ζημιά πριν την τοποθέτηση. Η χρήση κατεστραμμένης κασέτας μπορεί να προκαλέσει δυσλειτουργία.

ΕΙΔΟΠΟΙΗΣΗ: Όταν επαναχρησιμοποιείτε μια μερικώς χρησιμοποιημένη κασέτα, φροντίστε να αφαιρέσετε το στερεοποιημένο υλικό στοκαρίσματος πριν την τοποθέτηση.

Τοποθέτηση κασέτας για συγκρατητή μεγέθους 300 ml

ΕΙΔΟΠΟΙΗΣΗ: Βεβαιωθείτε ότι το πιστόνι Α είναι συνδεδεμένο στη ράβδο. Μην χρησιμοποιείτε άλλο τύπο πιστονιού για την κασέτα.

- Τραβήξτε αργά τη λαβή ράβδου προς τα πίσω μέχρι να σταματήσει.
► **Εικ.18:** 1. Λαβή ράβδου
- Εισαγάγετε την κασέτα στον συγκρατητή όπως απεικονίζεται στην εικόνα.
► **Εικ.19**
- Σπρώξτε απαλά τη ράβδο μέχρι το πιστόνι να αγγίξει το κάτω μέρος της κασέτας.

Για να αφαιρέσετε την κασέτα, ακολουθήστε τις διαδικασίες τοποθέτησης σε αντίστροφη σειρά.

Τοποθέτηση κασέτας σε συγκρατητή μεγέθους 600 ml ή 800 ml

ΕΙΔΟΠΟΙΗΣΗ: Βεβαιωθείτε ότι το πιστόνι Α (για συγκρατητή μεγέθους 600 ml) ή το πιστόνι D (για συγκρατητή μεγέθους 800 ml) είναι συνδεδεμένο στη ράβδο. Μην χρησιμοποιείτε άλλο τύπο πιστονιού για την κασέτα.

1. Αφαιρέστε το καπάκι συγκρατητή από τον συγκρατητή και μετά τραβήξτε τη λαβή ράβδου αργά προς τα πίσω μέχρι να σταματήσει.

► **Εικ.20:** 1. Καπάκι συγκρατητή 2. Λαβή ράβδου

2. Εισαγάγετε την κασέτα στον συγκρατητή.

► **Εικ.21:** 1. Συγκρατητής

3. Συνδέστε το καπάκι συγκρατητή περιστρέφοντάς το σταθερά ενώ κρατάτε τον συγκρατητή.

► **Εικ.22:** 1. Καπάκι συγκρατητή 2. Συγκρατητής

4. Σπρώξτε απαλά τη ράβδο μέχρι το πιστόνι να αγγίξει το κάτω μέρος της κασέτας.

Για να αφαιρέσετε την κασέτα, ακολουθήστε τις διαδικασίες τοποθέτησης σε αντίστροφη σειρά.

Χρήση πακέτου τύπου φιλμ

Προετοιμασία πακέτου για χρήση

Κόψτε τη μύτη του πακέτου.

► **Εικ.23**

ΕΙΔΟΠΟΙΗΣΗ: Φροντίστε να ελέγχετε το πακέτο για ζημιά πριν την τοποθέτηση. Η χρήση κατεστραμμένου πακέτου μπορεί να προκαλέσει δυσλειτουργία.

Τοποθέτηση πακέτου τύπου φιλμ σε συγκρατητή μεγέθους 600 ml ή 800 ml

ΕΙΔΟΠΟΙΗΣΗ: Βεβαιωθείτε ότι το πιστόνι Β (για συγκρατητή μεγέθους 600 ml) ή το πιστόνι Ε (για συγκρατητή μεγέθους 800 ml) είναι συνδεδεμένο στη ράβδο. Μην χρησιμοποιείτε άλλο τύπο πιστονιού για το πακέτο τύπου φιλμ.

1. Αφαιρέστε το καπάκι συγκρατητή, το ακροφύσιο και τον ελαστικό δακτύλιο από τον συγκρατητή.

► **Εικ.24:** 1. Καπάκι συγκρατητή 2. Ακροφύσιο
3. Ελαστικός δακτύλιος 4. Συγκρατητής

2. Τραβήξτε αργά τη λαβή ράβδου προς τα πίσω μέχρι να σταματήσει.

3. Εισαγάγετε το πακέτο στον συγκρατητή.

► **Εικ.25:** 1. Συγκρατητής

4. Συνδέστε τον ελαστικό δακτύλιο, το ακροφύσιο και το καπάκι συγκρατητή περιστρέφοντας σταθερά το καπάκι συγκρατητή.

► **Εικ.26:** 1. Καπάκι συγκρατητή 2. Ακροφύσιο
3. Ελαστικός δακτύλιος 4. Συγκρατητής

5. Σπρώξτε απαλά τη ράβδο μέχρι το πιστόνι να αγγίξει το πακέτο.

Για να αφαιρέσετε το πακέτο, αφαιρέστε το καπάκι συγκρατητή, το ακροφύσιο, το ελαστικό δακτύλιο και μετά ωθήστε τη λαβή ράβδου προς τα μπροστά μέχρι να σταματήσει.

Άμεση πλήρωση

ΕΙΔΟΠΟΙΗΣΗ: Βεβαιωθείτε ότι ο συγκρατητής μεγέθους 600 ml είναι συνδεδεμένος στον σύνδεσμο συγκρατητή και το πιστόνι C είναι συνδεδεμένο στη ράβδο. Μην χρησιμοποιείτε άλλο τύπο συγκρατητή και πιστονιού για άμεση πλήρωση.

1. Αφαιρέστε το καπάκι συγκρατητή, το ακροφύσιο και τον ελαστικό δακτύλιο από τον συγκρατητή.

► **Εικ.27:** 1. Καπάκι συγκρατητή 2. Ακροφύσιο
3. Ελαστικός δακτύλιος 4. Συγκρατητής

2. Σπρώξτε τη λαβή ράβδου μέχρι τέρμα μέχρι να σταματήσει.

3. Εισαγάγετε τη μύτη του συγκρατητή στο υλικό στοκαρίσματος και μετά τραβήξτε τη λαβή ράβδου αργά για να γεμίσετε τον συγκρατητή με το υλικό στοκαρίσματος.

► **Εικ.28:** 1. Συγκρατητής

4. Συνδέστε τον ελαστικό δακτύλιο, το ακροφύσιο και το καπάκι συγκρατητή περιστρέφοντας σταθερά το καπάκι συγκρατητή.

► **Εικ.29:** 1. Καπάκι συγκρατητή 2. Ακροφύσιο
3. Ελαστικός δακτύλιος 4. Συγκρατητής

Λειτουργία στοκαρίσματος

Τραβήξτε τη σκανδάλη για να τροφοδοτήσετε το υλικό στοκαρίσματος. Τοποθετήστε το ένα χέρι κάτω από τον συγκρατητή για να στηρίξετε το εργαλείο ενώ το χρησιμοποιείτε.

Μετά τη λειτουργία, σκουπίστε το υλικό στοκαρίσματος από το εργαλείο. Να φροντίζετε να αφαιρέσετε το υλικό στοκαρίσματος πριν στερεοποιηθεί.

ΠΑΡΑΤΗΡΗΣΗ: Στην αρχή της λειτουργίας, ρυθμίστε τον επιλογέα ρύθμισης ταχύτητας στο «1» και τραβήξτε αργά τη σκανδάλη διακόπτη για να ελέγξετε την ποσότητα του υλικού στοκαρίσματος που τροφοδοτείται.

ΠΑΡΑΤΗΡΗΣΗ: Ανάλογα με το είδος και τις συνθήκες του υλικού στοκαρίσματος, αυτό μπορεί να μην τροφοδοτείται σε χαμηλή ταχύτητα. Σε αυτή την περίπτωση, θέστε τον επιλογέα ρύθμισης ταχύτητας σε υψηλότερη τιμή.

ΠΑΡΑΤΗΡΗΣΗ: Αν το υλικό στοκαρίσματος δεν τροφοδοτείται, ελέγξτε τα ακόλουθα σημεία:

- Η μύτη του ακροφυσίου κασέτας δεν είναι κομμένη επαρκώς.
- Το υλικό στοκαρίσματος είναι στερεό και φραγμένο στο ακροφύσιο.
- Η κασέτα ή το πακέτο είναι κατεστραμμένα.
- Το υλικό στοκαρίσματος είναι άκαμπτο. Ζεστάνετε το υλικό μέχρι να μαλακώσει.
- Το συνδεδεμένο πιστόνι δεν είναι κατάλληλο για τον τύπο του υλικού στοκαρίσματος.

ΣΥΝΤΗΡΗΣΗ

⚠ ΠΡΟΣΟΧΗ: Πριν την εκτέλεση εργασιών επιθεώρησης ή συντήρησης, πάντοτε να βεβαιώνετε ότι η συσκευή απενεργοποιήθηκε και η κασέτα μπαταριών έχει αφαιρεθεί.

ΕΙΔΟΠΟΙΗΣΗ: Μην χρησιμοποιείτε ποτέ βενζίνη, πετρελαϊκό αιθέρα, διαλυτικό, αλκοόλη ή παρόμοιες ουσίες. Μπορεί να προκληθεί αποχρωματισμός, παραμόρφωση ή ρωγμές.

Για τη διατήρηση της ΑΣΦΑΛΕΙΑΣ και ΑΞΙΟΠΙΣΤΙΑΣ του προϊόντος, οι επισκευές και οποιαδήποτε άλλη εργασία συντήρησης ή ρύθμισης πρέπει να εκτελούνται από εξουσιοδοτημένα ή εργοστασιακά κέντρα εξυπηρέτησης της Makita, χρησιμοποιώντας πάντοτε ανταλλακτικά της Makita.

ΠΡΟΑΙΡΕΤΙΚΑ ΕΞΑΡΤΗΜΑΤΑ

⚠ ΠΡΟΣΟΧΗ: Αυτά τα εξαρτήματα ή προσαρτήματα συνιστώνται για χρήση με το εργαλείο Makita που περιγράφηκε στις οδηγίες αυτές. Η χρήση οποιωνδήποτε άλλων εξαρτημάτων ή προσαρτημάτων μπορεί να προκαλέσει κίνδυνο τραυματισμού σε άτομα. Να χρησιμοποιείτε τα εξαρτήματα ή προσαρτήματα μόνο για την χρήση που προορίζονται.

Εάν χρειάζεστε οποιαδήποτε βοήθεια για περισσότερες πληροφορίες σε σχέση με αυτά τα εξαρτήματα, αποταθείτε στο τοπικό σας κέντρο εξυπηρέτησης Makita.

- Πιστόνι Α
- Πιστόνι Β
- Πιστόνι C
- Πιστόνι D
- Πιστόνι E
- Σετ συγκρατητή μεγέθους 300 ml
- Σετ συγκρατητή μεγέθους 600 ml
- Σετ συγκρατητή μεγέθους 800 ml
- Ακροφύσιο (για συγκρατητή μεγέθους 600 ml)
- Ακροφύσιο (για συγκρατητή μεγέθους 800 ml)
- Προστατευτικά γυαλιά
- Γνήσια μπαταρία και φορτιστής της Makita

ΠΑΡΑΤΗΡΗΣΗ: Μερικά στοιχεία στη λίστα μπορεί να συμπεριλαμβάνονται στη συσκευασία εργαλείου ως στάνταρ εξαρτήματα. Μπορεί να διαφέρουν ανάλογα με τη χώρα.

TEKNİK ÖZELLİKLER

Model:	CG100D	
Maksimum besleme gücü	5.000 N	
Besleme hızı	0 - 28 mm/s	
Hareket aralığı	300 ml boyutlu tutucu	214 mm
	600 ml boyutlu tutucu	350 mm
	800 ml boyutlu tutucu	294 mm
Toplam uzunluk	300 ml boyutlu tutucu	404 mm
	600 ml boyutlu tutucu	538 mm
	800 ml boyutlu tutucu	480 mm
Anma voltajı	D.C. 10,8 V - 12 V maks	
Standart batarya kartuşu	BL1015 / BL1016 / BL1020B / BL1021B / BL1040B / BL1041B	
Şarj aleti	DC10SA / DC10SB / DC10WC / DC10WD	
Net ağırlık	1,9 - 2,6 kg	

- Sürekli yapılan araştırma ve geliştirmelerden dolayı, burada belirtilen özellikler önceden bildirilmeksizin değiştirilebilir.
- Özellikler ve batarya kartuşu ülkeden ülkeye değişebilir.
- Ağırlık, ekli aksesuar/aksesuarlara ve batarya kartuşuna bağlı olarak farklılık gösterebilir. EPTA-Prosedürü 01/2014'e göre en hafif ve en ağır kombinasyonlar tabloda verilmiştir.

Kullanım amacı

Bu alet yüzeye derz malzemesi uygulamak için tasarlanmıştır.

Gürültü

Tipik A-ağırlıklı gürültü düzeyi (EN62841 standardına göre belirlenen):

Ses basınç seviyesi (L_{pA}): 70 dB (A) veya daha az
Belirsizlik (K): 3 dB (A)

İşlem sırasında gürültü seviyesi 80 dB (A)'yi geçebilir.

UYARI: Kulak koruyucuları takın.

Titreşim

Titreşim toplam değeri (üç eksenli vektör toplamı) (EN62841 standardına göre hesaplanan):

Çalışma modu: yüksüz çalışma
Titreşim emisyonu (a_n): 2,5 m/s² den az
Belirsizlik (K): 1,5 m/s²

NOT: Beyan edilen titreşim emisyon değeri standart test yöntemine uygun şekilde ölçülmüştür ve bir aleti bir başkasıyla karşılaştırmak için kullanılabilir.

NOT: Beyan edilen titreşim emisyon değeri bir ön maruz kalma değerlendirmesi olarak da kullanılabilir.

UYARI: Bu elektrikli aletin gerçek kullanımı sırasındaki titreşim emisyonu aletin kullanım biçimlerine bağlı olarak beyan edilen emisyon değerinden farklı olabilir.

UYARI: Gerçek kullanım koşullarındaki maruz kalmanın bir tahmini hesaplaması temelinde operatörü koruyacak güvenlik önlemlerini mutlaka belirleyin (çalışma döngüsü içerisinde aletin kapalı olduğu ve aktif durumda olmasının yanı sıra boşta çalıştığı zamanlar gibi, bütün zaman dilimleri göz önünde bulundurularak değerlendirilmelidir).

EC Uygunluk Beyanı

Sadece Avrupa ülkeleri için

EC uygunluk beyanı bu kullanım kılavuzuna Ek A olarak eklenmiştir.

GÜVENLİK UYARILARI

Genel elektrikli alet güvenliği uyarıları

UYARI: Bu elektrikli aletle birlikte sunulan tüm güvenlik uyarılarını, talimatları, çizimleri ve teknik özellikleri okuyun. Aşağıda verilen talimatlara uyulmaması elektrik şoku, yangın ve/veya ciddi yaralanmalar ile sonuçlanabilir.

Tüm uyarıları ve talimatları ile-ride başvurmak için saklayın.

Uyarılardaki "elektrikli alet" terimi ile ya prizden çalışan (kordonlu) elektrikli aletiniz ya da kendi aküsü ile çalışan (kordonsuz) elektrikli aletiniz kastedilmektedir.

Akülü derz dolgu tabancası güvenlik uyarıları

1. Elleri ve kıyafetleri çubuk ve piston alanından uzak tutun. Aksi takdirde parmağınız veya kıyafetleriniz sıkışabilir.
2. Aleti sıkı tutun.
3. Daima iyi havalandırılan yerlerde çalışın ve işe uygun koruyucu ekipman giyin.
4. Kullanmadan önce derz dolgu malzemesi veya yapışkan malzeme ile ilgili üretici talimatlarını okuyun ve bunlara uyun.

BU TALİMATLARI MUHAFAZA EDİNİZ.

⚠UYARI: Ürünü kullanırken (defalarca kullanınca kazanılan) rahatlık ve tanıdıklık duygusunun ilgili ürünün güvenlik kurallarına sıkı sıkıya bağlı kalmanın yerine geçmesine İZİN VERMEYİN. YANLIŞ KULLANIM veya bu kullanma kılavuzunda belirtilen emniyet kurallarına uymama ciddi yaralanmaya neden olabilir.

Batarya kartuşu hakkında önemli güvenlik talimatları

1. Batarya kartuşunu kullanmadan önce, tüm talimatları ve (1) batarya kartuşu, (2) batarya ve (3) ürün üzerindeki tüm uyarı işaretlerini okuyun.
2. Batarya kartuşunu demonte etmeyin.
3. Çalışma süresi aşırı derecede kısalmışsa kullanmayı derhal bırakın. Aşırı ısınma, yanma riski hatta patlamaya neden olabilir.
4. Gözünüze elektrolit kaçarsa, gözlerinizi temiz suyla durulayın ve hemen tıbbi yardım alın. Görme kaybına yol açabilir.
5. Batarya kartuşuna kısa devre yaptırmayın:
 - (1) Terminallere herhangi bir iletken madde deędirmeyin.
 - (2) Batarya kartuşunu çiviler, madeni paralar, vb. gibi başka metal nesnelere aynı kaba koymaktan kaçının.
 - (3) Batarya kartuşunu yağmura ya da suya maruz bırakmayın.Kısa devre, büyük bir akım akışına, aşırı ısınmaya, olası yanıklara hatta bataryanın bozulmasına yol açabilir.
6. Aleti ve batarya kartuşunu sıcaklığın 50°C ya da daha yüksekçe ulaştığı yerlerde saklamayın.
7. Aşırı derecede hasar görmüş ya da tamamen kullanılamaz durumda olsa bile batarya kartuşunu yakmayın. Batarya kartuşu ateşe atılırsa patlayabilir.
8. Bataryayı düşürmemeye ve çarpmamaya dikkat edin.
9. Hasarlı bataryayı kullanmayın.

10. Aletin içerdęđi lityum-iyon bataryalar Tehlikeli Eşyalar Yönetmeliğinin gereksinimlerine tabidir.

Ticari nakliye işlemleri için, örneğın üçüncü taraflar, nakliye acenteleri tarafından yapılan nakliyelerde, paketleme ve etiketleme gereksinimlerine uyulmalıdır.

Nakliyesi yapılacak ürünün hazırlanması için, tehlikeli maddeler konusunda uzman bir kişiyedanişın. Lütfen muhtemelen daha ayrıntılı olan ulusal yönetmeliklere de uyun.

Açık kontakları bantlayın ya da maskeleyin ve bataryayı paketin içinde hareket etmeyecek şekilde paketlenin.

11. Bataryanın elden çıkarılması ile ilgili yerel düzenlemelere uyunuz.

BU TALİMATLARI MUHAFAZA EDİNİZ.

⚠DİKKAT: Sadece orijinal Makita bataryalarını kullanın. Orijinal olmayan Makita bataryaları ya da üzerine deęişiklik yapılmış bataryaların kullanımı bataryanın patlamasına ve sonuç olarak yangın, kişisel yaralanma ve hasara neden olabilir. Ayrıca Makita aleti ve şarj aletinin Makita tarafından sunulan garantisini de geçersiz olur.

Maksimum batarya ömrü için ipuçları

1. Batarya kartuşunu tamamen boşalmadan önce şarj edin. Aletin gücünün zayıflamaya başladığını fark ettiğinizde aleti durdurun ve batarya kartuşunu şarj edin.
2. Tam dolu bir batarya kartuşunu asla yeniden şarj etmeyin. Aşırı şarj etme bataryanın hizmet ömrünü kısaltır.
3. Batarya kartuşunu 10°C - 40°C oda sıcaklığında şarj edin. Sıcak bir batarya kartuşunu şarj etmeden önce soğumasını bekleyin.

İŞLEVSEL NİTELİKLER

⚠️ DİKKAT: Alet üzerinde ayarlama veya işleyiş kontrolü yapmadan önce aletin kapalı ve batarya kartuşunun ayrılmış olduğundan daima emin olun.

Batarya kartuşunun takılması ve çıkarılması

⚠️ DİKKAT: Batarya kartuşunu takmadan ya da çıkarmadan önce aleti daima kapatın.

⚠️ DİKKAT: Batarya kartuşunu takarken veya çıkarırken aleti ve batarya kartuşunu sıkıca tutun. Aletin ve batarya kartuşunun sıkıca tutulmaması bunların düşürülmesine sebep olabilir ve alet ve batarya kartuşunun zarar görmesine ya da ciddi yaralanmasına yol açabilir.

► **Şek.1:** 1. Kırmızı gösterge 2. Düğme 3. Batarya kartuşu

Batarya kartuşunu çıkarmak için, kartuşun ön tarafındaki düğmeyi kaydırarak kartuşu aletten çıkarın.

Batarya kartuşunu takmak için, batarya kartuşu üzerindeki dili yuvanın çentiği ile hizalayın ve yerine oturtun. Hafif bir tık sesi duyulana kadar itip yerine tam oturmasını sağlayın. Düğmenin üst tarafındaki kırmızı gösterge görünüyorsa tam yerine kilitlenmemiş demektir.

⚠️ DİKKAT: Batarya kartuşunu daima kırmızı gösterge görünmeyecek şekilde tam olarak takın. Yerine tam oturmazsa, aletten yanlışlıkla düşebilir, sizin ya da çevrenizdeki kişilerin yaralanmasına neden olabilir.

⚠️ DİKKAT: Batarya kartuşunu zorlayarak takmayın. Kartuş kolay bir şekilde kaymıyorsa doğru yerleştirilmemiş demektir.

Batarya koruma sistemi

Bu alet bir batarya koruma sistemi ile donatılmıştır. Bu sistem motora giden gücü otomatik olarak keserek uzun batarya ömrü sağlar.

Alet ve/veya batarya için aşağıdaki durumlardan biri söz konusu olduğunda aletin işleyişi otomatik olarak durur:

Aşırı yüklenme:

Alet, anormal derecede yüksek akım çekmesine neden olacak şekilde kullanılmaktadır.

Bu durumda, aleti kapatın ve aletin aşırı yüklenmesine neden olan uygulamayı durdurun. Daha sonra aleti yeniden başlaması için çalıştırın.

Alet çalışmaya başlamazsa, batarya aşırı ısınmış demektir. Bu durumda, aleti yeniden çalıştırmadan önce bataryanın soğumasını bekleyin.

Düşük batarya voltajı:

Kalan batarya kapasitesi çok düşüktür ve alet çalışmaz. Aleti çalıştırırsanız, motor tekrar çalışır fakat kısa zaman sonra durur. Bu durum söz konusuysa, bataryayı çıkarıp şarj edin.

Kalan batarya kapasitesinin gösterilmesi

Sadece göstergeli batarya kartuşları için

► **Şek.2:** 1. Gösterge lambaları 2. Kontrol düğmesi

Kalan batarya kapasitesini göstermesi için batarya kartuşu üzerindeki kontrol düğmesine basın. Gösterge lambaları birkaç saniye yanar.

Gösterge lambaları		Kalan kapasite
Yanıyor	Kapalı	
■ ■ ■ ■	□	%75 ıla %100
■ ■ ■ □	□	%50 ıla %75
■ ■ □ □	□	%25 ıla %50
■ □ □ □	□	%0 ıla %25

NOT: Kullanım koşullarına ve ortam sıcaklığına bağlı olarak, gösterilen değer gerçek kapasiteden biraz farklılık gösterebilir.

Anahtar işlemleri

⚠️ UYARI: Batarya kartuşunu alete takmadan önce anahtar tetiğin doğru çalıştığından ve birakıldığında "OFF" (kapalı) konumuna döndüğünden emin olun.

► **Şek.3:** 1. Anahtar tetik 2. Tetik kilitleme düğmesi

Anahtar tetiğin yanlışlıkla çekilmesini engellemek için tetik kilitleme düğmesi sağlanmıştır.

Aleti çalıştırmak için tetik kilitleme düğmesine A tarafından bastırın ve anahtar tetiğini çekin. Anahtar tetiğin üzerine yapılan baskı artırılarak aletin hızı artırılır. Durdurmak için anahtar tetiği serbest bırakın.

Kullandıktan sonra tetik kilitleme düğmesine B tarafından bastırın.

Hız ayar kadranı

► **Şek.4:** 1. Hız ayar kadranı

Aletin hızı, hız ayar kadranı çevrilerek ayarlanabilir. 5 ile en yüksek hızı ve 1 ile en düşük hızı elde edebilirsiniz.

ÖNEMLİ NOT: Alet çalışırken kadranı hızlı şekilde çevirmeyin.

ÖNEMLİ NOT: Derz dolgu malzemesinin türüne ve koşullarına bağlı olarak düşük hızda beslenmeyebilir. Bu durumda hız ayar kadranını daha yükseğe ayarlayın.

ÖNEMLİ NOT: Hız kadranını "5"ten "1"e alırken kadranı saatin aksi yönünde çevirin. Kadranı zorlayarak saat yönünde çevirmeyin.

Ön lambanın yakılması

⚠ DİKKAT: Işığa bakmayın ya da ışık kaynağını doğrudan görmeyin.

► **Şek.5:** 1. Lamba

Lambayı açmak için anahtar tetiği hafifçe çekip serbest bırakın. Lamba, anahtar tetik bırakıldıktan yaklaşık 10 saniye sonra söner.

ÖNEMLİ NOT: Alet fazla ısındığında lamba yanıp söner. Aleti yeniden çalıştırmadan önce tamamen soğutun.

NOT: Lamba lensini temizlemek için kuru bir bez kullanın. Aydınlatmayı azaltacağı için lamba lensinin çizilmemesine dikkat edin.

Aşırı yük uyarı lambası

► **Şek.6:** 1. Uyarı lambası

Alet çok yüklendiğinde uyarı lambası yanıp söner. Yük artar ve alet aşırı yüklenirse alet otomatik olarak durur ve uyarı lambası yanık kalır. Bu durumda anahtar tetiği bırakın ve aşırı yükün nedenini ortadan kaldırın, daha sonra aleti yeniden başlatın.

NOT: Uyarı lambası yanıp söndüğünde aşağıdaki noktaları kontrol edin:

- Derz dolgu malzemesi tıkanmış.
- Hız ayar kadranı yüksek hıza ayarlanmış.
- Kartuş kanülü veya film tipi paket ucunun kesim alanı çok küçük.

Damlama önleme fonksiyonu

Tetik bırakıldıktan sonra bile motor kısa bir süre çalışmaya devam eder. Bu, derz dolgu malzemesinin basınçlı boşaltır ve damlamayı önler.

MONTAJ

⚠ DİKKAT: Alet üzerinde herhangi bir iş yapmadan önce aletin kapalı ve batarya kartuşunun ayrılmış olduğundan daima emin olun.

300 ml boyutlu tutucunun takılması veya çıkarılması

Tutucu mafsalinın takılması veya çıkarılması

Vidaları iyice sıkarak tutucu mafsalını ve plakayı takın. Tutucu mafsalını çıkarmak için, takma işleminin tersini uygulayın.

► **Şek.7:** 1. Vida 2. Plaka 3. Tutucu mafsalı

Çubuk ve pistonun takılması veya çıkarılması

1. Çubuğu aletin arka tarafından dişleri aşağı bakacak şekilde sokun.

► **Şek.8:** 1. Kısa çubuk

2. Piston A'yı vidayla takın.

► **Şek.9:** 1. Vida 2. Piston A 3. Kısa çubuk

ÖNEMLİ NOT: 300 ml boyutlu tutucu için sadece kartuş tipi derz malzemesi kabı kullanılabilir. Piston A'yı çubuğa taktığınızdan emin olun.

Çubuğu ve pistonu çıkarmak için, takma işleminin tersini uygulayın.

Tutucunun takılması veya çıkarılması

⚠ DİKKAT: Tutucuyu tutucu mafsalına sıkıca sabitleyin. Aksi takdirde çalışma sırasında tutucu çıkabilir ve yaralanmaya neden olabilir.

Tutucuyu takmak için tutucu mafsalını tutarken tutucuyu durana dek saat yönünde çevirin. Tutucuyu çıkarmak için, takma işleminin tersini uygulayın.

► **Şek.10:** 1. Tutucu

600 ml veya 800 ml boyutlu tutucunun takılması veya çıkarılması

Tutucu mafsalının takılması veya çıkarılması

Vidaları iyice sıkarak tutucu mafsalını ve plakayı takın. Tutucu mafsalını çıkarmak için, takma işleminin tersini uygulayın.

600 ml boyutlu tutucu için

► **Şek.11:** 1. Vida 2. Plaka 3. Tutucu mafsalı

800 ml boyutlu tutucu için

► **Şek.12:** 1. Vida 2. Tutucu mafsalı ve plaka

Piston tipinin seçilmesi

Aşağıdaki tabloya bakarak derz dolgu malzemesi kabına göre uygun piston tipini seçin.

	600 ml boyutlu tutucu	800 ml boyutlu tutucu
Kartuş	Piston A	Piston D
Film tipi paket	Piston B	Piston E *
Direkt dolgu	Piston C	-

*. İsteğe bağlı aksesuar

Çubuk ve pistonun takılması veya çıkarılması

1. Çubuğu aletin arka tarafından dişleri aşağı bakacak şekilde sokun.

► **Şek.13:** 1. Uzun çubuk veya siyah çubuk

ÖNEMLİ NOT: 600 ml boyutlu tutucu için uzun çubuğu kullanın. 800 ml boyutlu tutucu için siyah çubuğu kullanın.

2. Pistonu vidayla takın.

► **Şek.14:** 1. Vida 2. Piston 3. Uzun çubuk veya siyah çubuk

Çubuğu ve pistonu çıkarmak için, takma işleminin tersini uygulayın.

600 ml veya 800 ml boyutlu tutucunun takılması veya çıkarılması

⚠ DİKKAT: Tutucuyu tutucu mafsalına sıkıca sabitleyin. Aksi takdirde çalışma sırasında tutucu sakat olabilir ve yaralanmaya neden olabilir.

Tutucuyu takmak için tutucu mafsalını tutarken tutucuyu durana dek saat yönünde çevirin.

► **Şek.15:** 1. Tutucu

Tutucuyu çıkarmak için, takma işleminin tersini uygulayın.

KULLANIM

Kartuş kullanımı

Kartuşun kullanıma hazırlanması

1. Uygun miktarda derz dolgu malzemesi beslenecek şekilde kartuş kanülünün ucunu kesin.

► **Şek.16:** 1. Kanül

2. Kanülün ucuyla koruyucu film üzerinde bir delik açın.

► **Şek.17:** 1. Kanül

3. Kanülü kartuşa takın.

ÖNEMLİ NOT: Takmadan önce kartuşta mutlaka hasar kontrolü yapın. Hasarlı kartuş kullanılması arızaya neden olabilir.

ÖNEMLİ NOT: Kısmen kullanılmış kartuşu tekrar kullanmadan önce takmadan önce katı derz dolgu malzemesini mutlaka çıkarın.

Kartuşun 300 ml boyutlu tutucuya takılması

ÖNEMLİ NOT: Piston A'nın çubuğa takıldığından emin olun. Kartuş için başka tip piston kullanmayın.

1. Çubuk kolunu geriye doğru durana kadar yavaşça çekin.

► **Şek.18:** 1. Çubuk kolu

2. Şekilde gösterildiği gibi kartuşu tutucuya sokun.

► **Şek.19**

3. Piston kartuşun alt kısmına dokunana dek çubuğu hafifçe ittirin.

Kartuşu çıkarmak için, takma işleminin tersini uygulayın.

Kartuşun 600 ml veya 800 ml boyutlu tutucuya takılması

ÖNEMLİ NOT: Piston A (600 ml boyutlu tutucu için) veya piston D'nin (800 ml boyutlu tutucu için) çubuğa takıldığından emin olun. Kartuş için başka tip piston kullanmayın.

1. Tutucu başlığını tutucudan çıkarın ve daha sonra çubuk kolunu geriye doğru durana kadar yavaşça çekin.

► **Şek.20:** 1. Tutucu başlığı 2. Çubuk kolu

2. Kartuşu tutucuya sokun.

► **Şek.21:** 1. Tutucu

3. Tutucuyu tutarken tutucu başlığını sıkıca çevirerek takın.

► **Şek.22:** 1. Tutucu başlığı 2. Tutucu

4. Piston kartuşun alt kısmına dokunana dek çubuğu hafifçe ittirin.

Kartuşu çıkarmak için, takma işleminin tersini uygulayın.

Film tipi paket kullanımı

Paketin kullanıma hazırlanması

Paketin ucunu kesin.

► **Şek.23**

ÖNEMLİ NOT: Takmadan önce pakette mutlaka hasar kontrolü yapın. Hasarlı paket kullanılması arızaya neden olabilir.

Film tipi paketin 600 ml veya 800 ml boyutlu tutucuya takılması

ÖNEMLİ NOT: Piston B (600 ml boyutlu tutucu için) veya piston E'nin (800 ml boyutlu tutucu için) çubuğa takıldığından emin olun. Film tipi paket için başka tip piston kullanmayın.

1. Tutucu başlığını, kanülü ve lastik halkayı tutucudan çıkarın.

► **Şek.24:** 1. Tutucu başlığı 2. Kanül 3. Lastik halka 4. Tutucu

2. Çubuk kolunu geriye doğru durana kadar yavaşça çekin.

3. Paketi tutucuya sokun.

► **Şek.25:** 1. Tutucu

4. Tutucu başlığını sıkıca çevirerek lastik halka, kanül ve tutucu başlığını takın.

► **Şek.26:** 1. Tutucu başlığı 2. Kanül 3. Lastik halka 4. Tutucu

5. Piston pakete dokunana dek çubuğu hafifçe ittirin.

Paketi çıkarmak için tutucu başlığını, kanülü ve lastik halkayı çıkarın ve daha sonra çubuk kolunu ileri doğru durana kadar ittirin.

Direkt dolgu

ÖNEMLİ NOT: 600 ml boyutlu tutucunun tutucu mafsalına ve piston C'nin çubuğa takıldığından emin olun. Direkt dolgu için başka tip tutucu veya piston kullanmayın.

1. Tutucu başlığını, kanülü ve lastik halkayı tutucudan çıkarın.
► **Şek.27:** 1. Tutucu başlığı 2. Kanül 3. Lastik halka 4. Tutucu
2. Çubuk kolunu durana dek sonuna kadar ittirin.
3. Tutucunun ucunu derz dolgu malzemesine sokun ve daha sonra tutucuyu derz dolgu malzemesi ile doldurmak için çubuk kolunu yavaşça çekin.
► **Şek.28:** 1. Tutucu
4. Tutucu başlığını sıkıca çevirerek lastik halka, kanül ve tutucu başlığını takın.
► **Şek.29:** 1. Tutucu başlığı 2. Kanül 3. Lastik halka 4. Tutucu

Derz dolgu işlemi

Derz dolgu malzemesini beslemek için tetiği çekin. Kullanırken aleti desteklemek için bir elinizi tutucunun altına koyun. İş sonunda silerek derz dolgu malzemesini aletten temizleyin. Derz dolgu malzemesini mutlaka katılaşmadan önce temizleyin.

NOT: İşin başında hız ayar kadranını "1"e ayarlayın ve ne miktarda derz dolgu malzemesinin beslendiğini kontrol etmek için anahtar tetiği yavaşça çekin.

NOT: Derz dolgu malzemesinin türüne ve koşullarına bağlı olarak düşük hızda beslenmeyebilir. Bu durumda hız ayar kadranını daha yükseğe ayarlayın.

NOT: Derz dolgu malzemesi beslenmiyorsa aşağıdaki noktaları kontrol edin:

- Kartuş kanülünün ucu yeteri kadar kesilmemiş.
- Derz dolgu malzemesi katılaşmış ve kanülü tıkamış.
- Kartuş veya paket hasarlı.
- Derz dolgu malzemesi sert. Malzemeyi yumuşatana dek ısıtın.
- Takılı piston derz dolgu malzemesi tipi için uygun değil.

BAKIM

⚠DİKKAT: Muayene ya da bakım yapmadan önce aletin kapalı ve batarya kartuşunun çıkartılmış olduğundan daima emin olun.

ÖNEMLİ NOT: Benzin, tiner, alkol ve benzeri maddeleri kesinlikle kullanmayın. Renk değişimi, deformasyon veya çatlaklar oluşabilir.

Aleti EMNİYETLİ ve ÇALIŞMAYA HAZIR durumda tutmak için onarımlar, başka her türlü bakım ve ayarlamalar daima Makita yedek parçaları kullanılarak Makita yetkili servis merkezleri veya Fabrikanın Servis Merkezleri tarafından yapılmalıdır.

İSTEĞE BAĞLI AKSESUARLAR

⚠DİKKAT: Bu aksesuarlar ve ek parçalar bu el kitabında belirtilen Makita aletiniz ile kullanılmak için tavsiye edilmektedir. Herhangi başka bir aksesuar ya da ek parça kullanılması insanlar için bir yaralanma riski getirebilir. Aksesuarları ya da ek parçaları yalnızca belirtilmiş olan kullanım amaçlarına uygun olarak kullanın.

Bu aksesuarlarla ilgili daha fazla bilgiye ihtiyaç duyar-sanız bulunduğunuz yerdeki yetkili Makita servisine başvurun.

- Piston A
- Piston B
- Piston C
- Piston D
- Piston E
- 300 ml boyutlu tutucu seti
- 600 ml boyutlu tutucu seti
- 800 ml boyutlu tutucu seti
- Kanül (600 ml boyutlu tutucu için)
- Kanül (800 ml boyutlu tutucu için)
- Güvenlik gözlüğü
- Orijinal Makita batarya ve şarj aleti

NOT: Listedeki parçaların bazıları alet paketi içerisinde standart aksesuar olarak dahil edilmiş olabilir. Bunlar ülkeden ülkeye farklılık gösterebilir.

Makita Europe N.V. Jan-Baptist Vinkstraat 2,
3070 Kortenberg, Belgium

Makita Corporation 3-11-8, Sumiyoshi-cho,
Anjo, Aichi 446-8502 Japan

www.makita.com

885602-998
EN, FR, DE, IT, NL,
ES, PT, DA, EL, TR
20170511