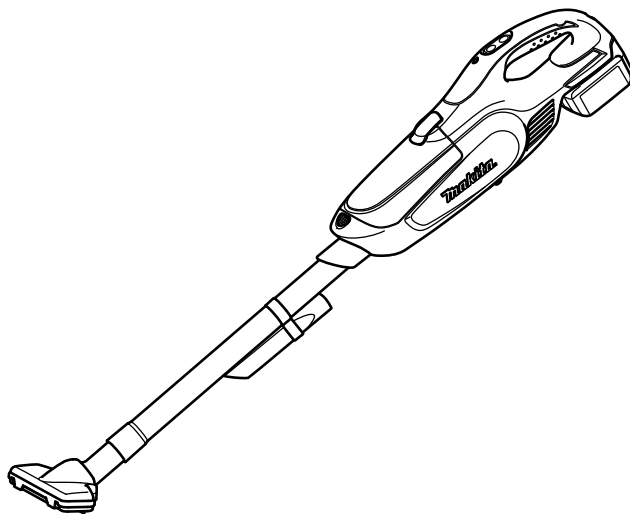
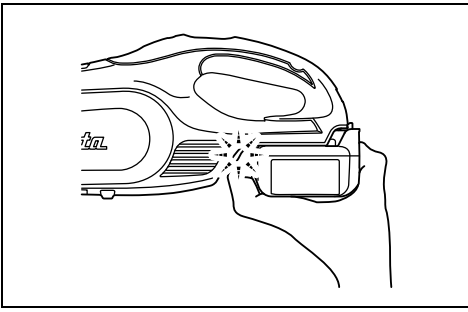




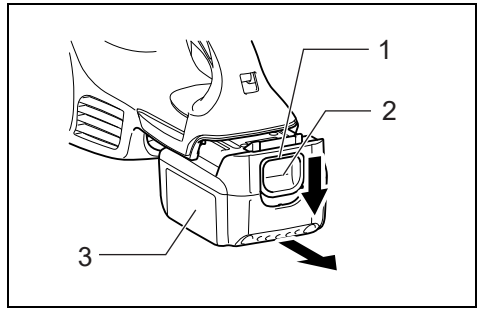
| | | |
|-----------|-------------------------------------|--------------------------------|
| GB | Cordless Cleaner | Instruction Manual |
| F | Aspirateur sans fil | Manuel d'instructions |
| D | Akku-Staubsauger | Betriebsanleitung |
| I | Aspiratore a batteria | Istruzioni per l'uso |
| NL | Accustofzuiger | Gebruiksaanwijzing |
| E | Aspiradora Inalámbrica | Manual de instrucciones |
| P | Aspirador de Pó a Bateria | Manual de instruções |
| DK | Akku-støvsuger | Brugsanvisning |
| GR | Ηλεκτρικό σκουπάκι μπαταρίας | Οδηγίες χρήσεως |

DCL142
DCL182
DCL182F

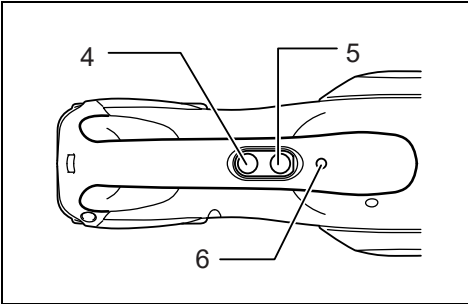




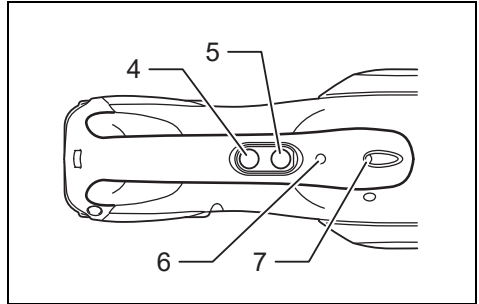
1 011539



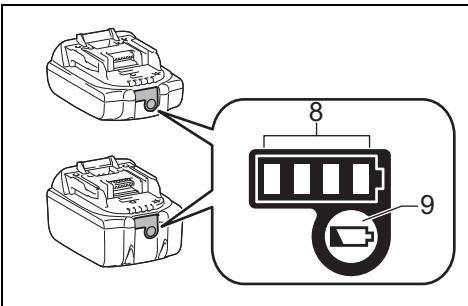
2 012129



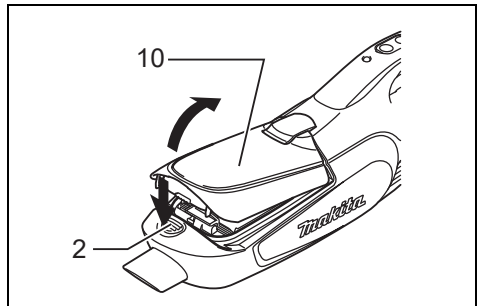
3 011542



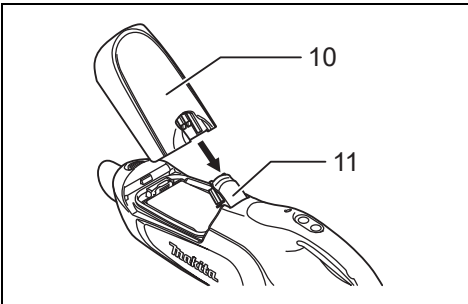
4 015714



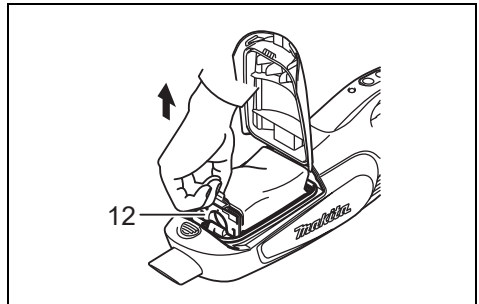
5 170426



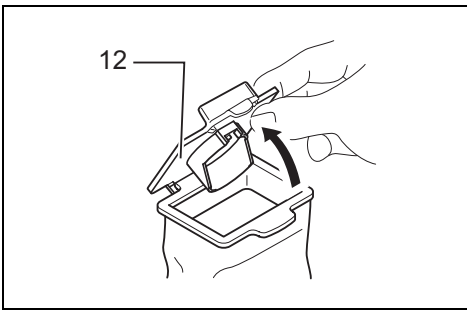
6 011551



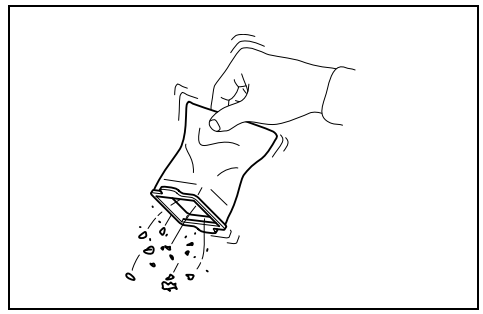
7 011553



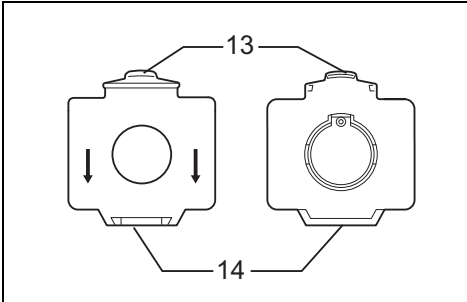
8 011552



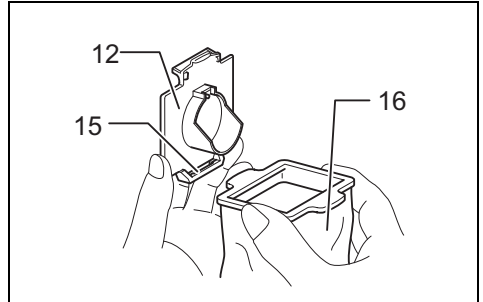
9 008920



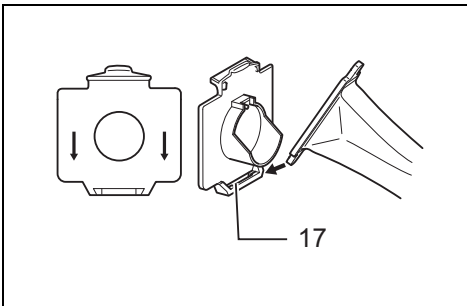
10 008921



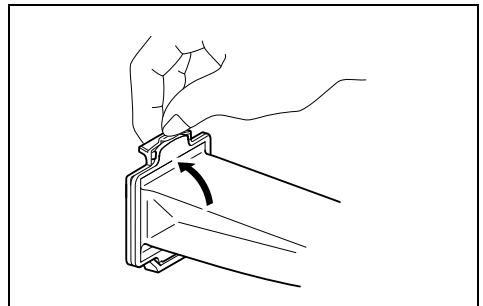
11 008930



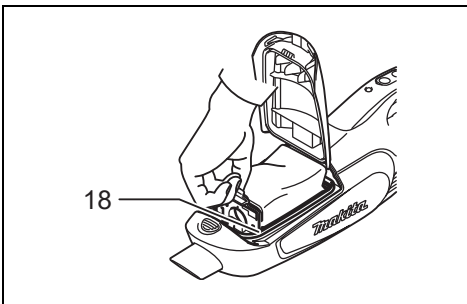
12 008935



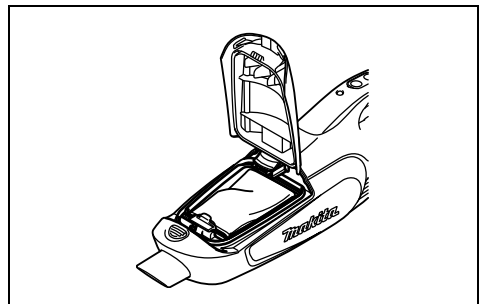
13 008932



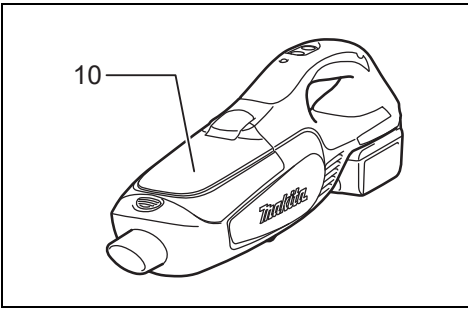
14 008933



15 011559

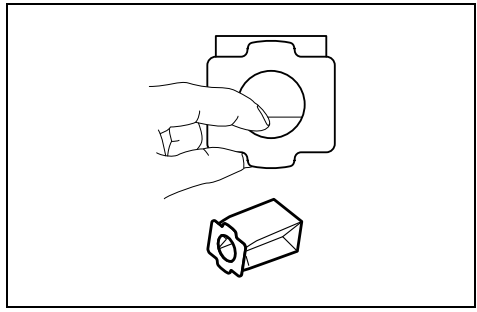


16 011555



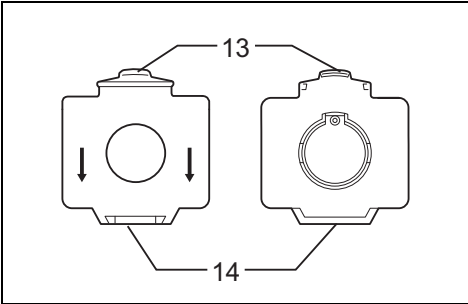
17

011541



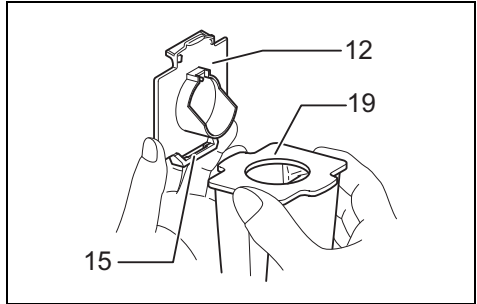
18

008928



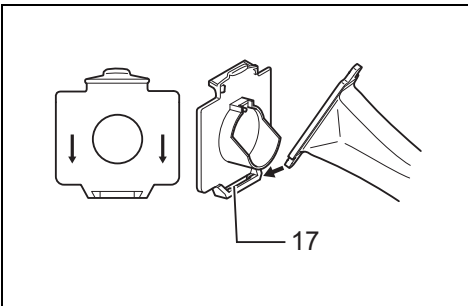
19

008930



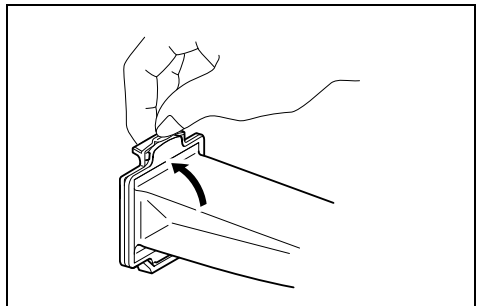
20

008931



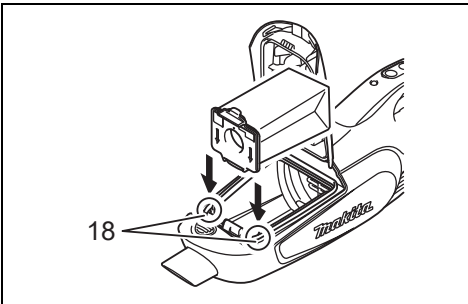
21

008932



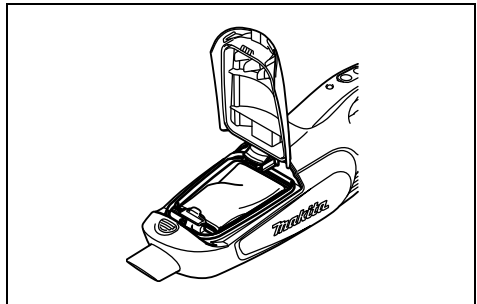
22

008933



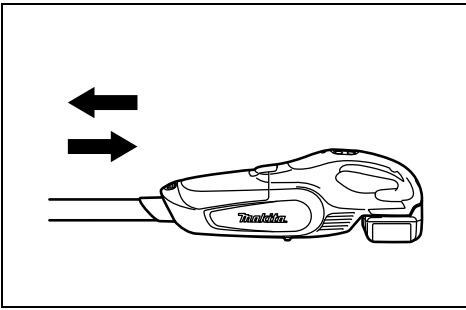
23

011554



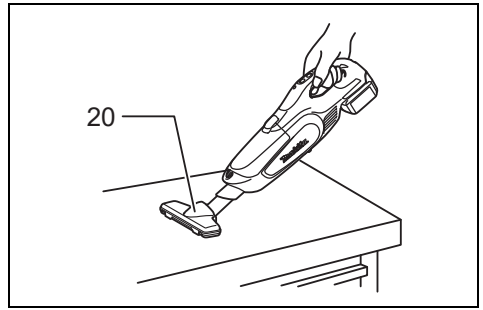
24

011555



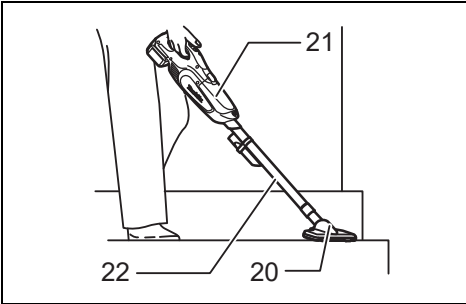
25

011543



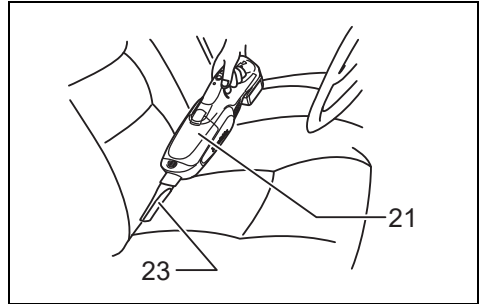
26

011544



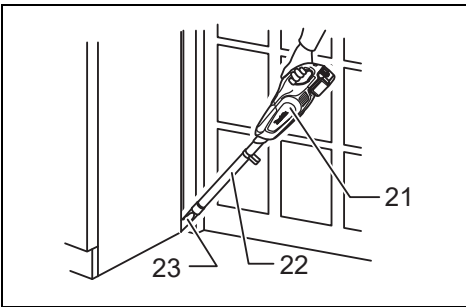
27

011545



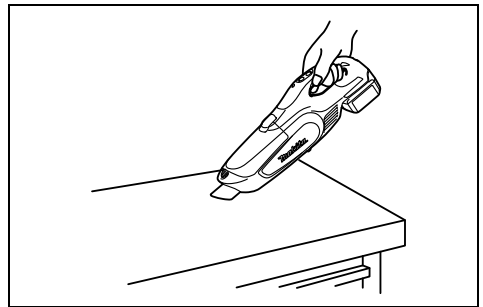
28

011546



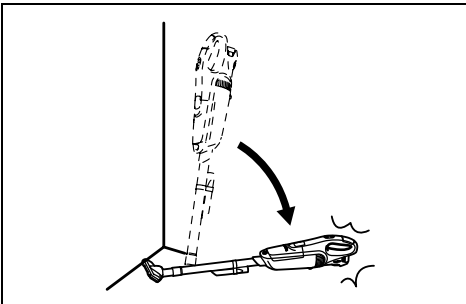
29

011547



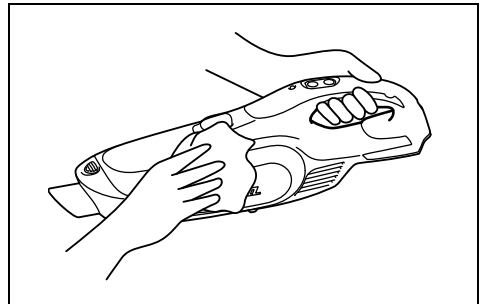
30

011565



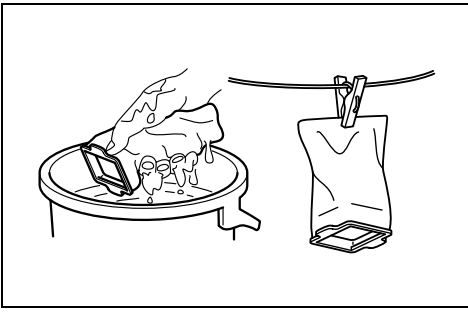
31

011549



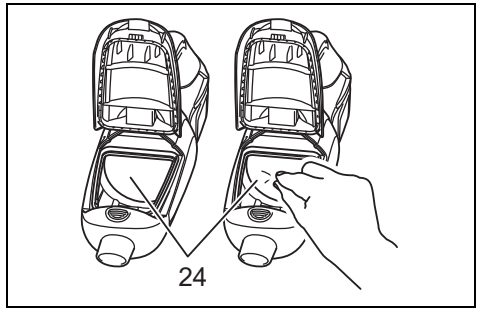
32

011550



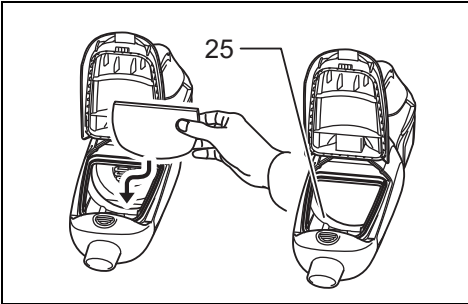
33

008934



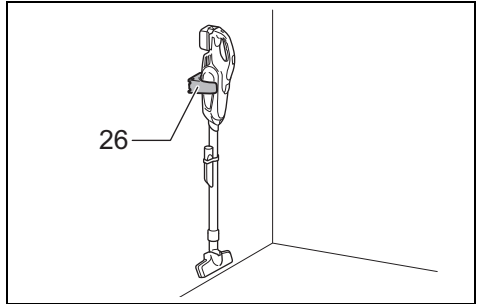
34

011557



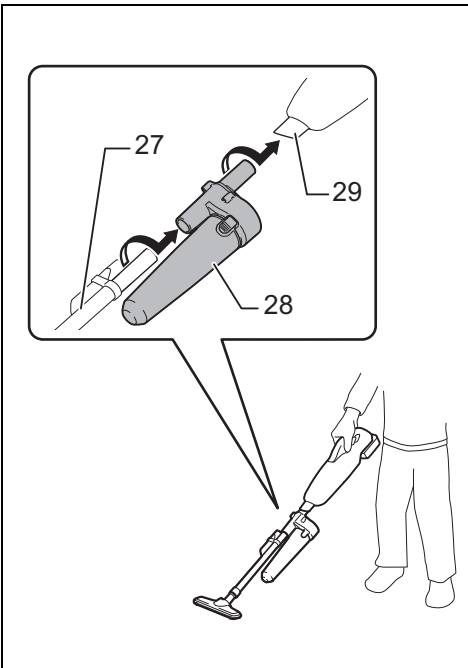
35

011556



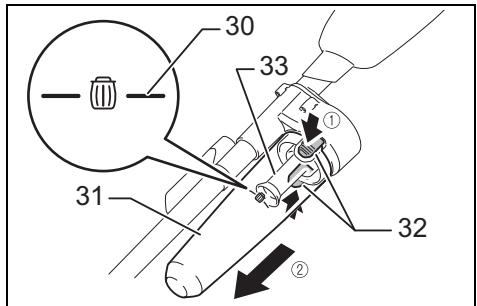
36

1050604



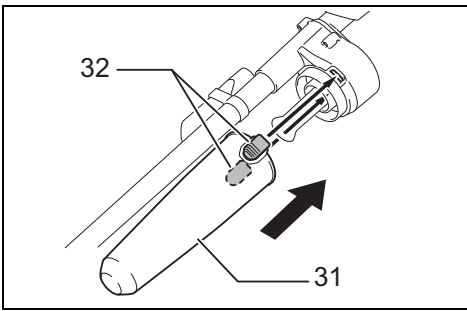
37

1206607



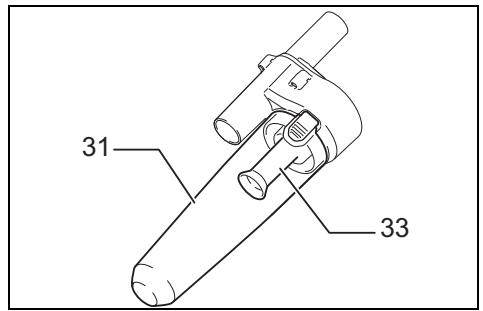
38

1206608



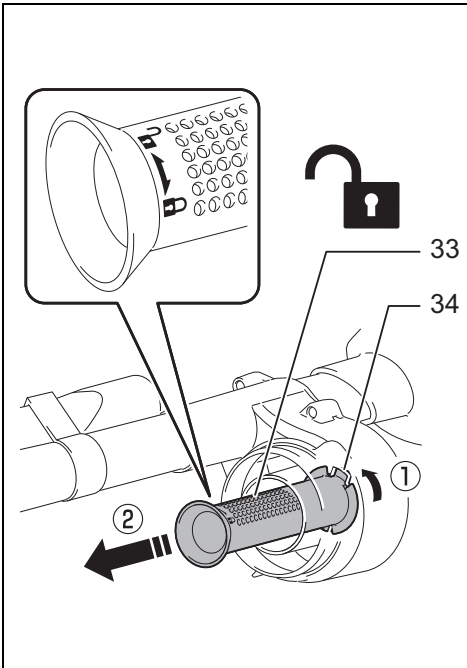
39

1206609



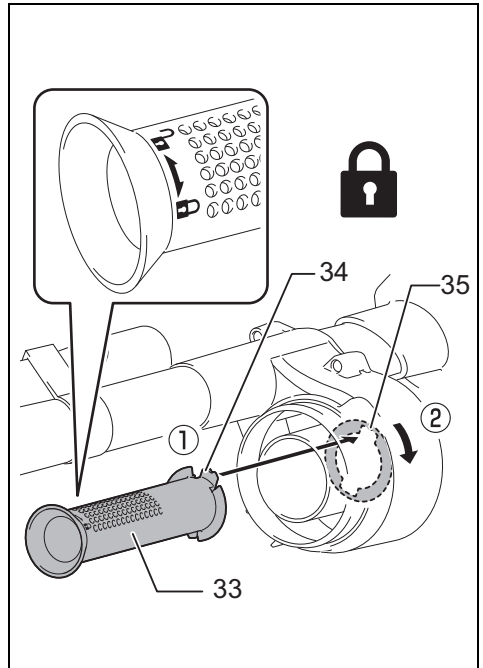
40

1206610



41

1206611



42

1206612

WARNING

- This appliance can be used by children aged from 8 years and above and persons with reduced physical, sensory or mental capabilities or lack of experience and knowledge if they have been given supervision or instruction concerning use of the appliance in a safe way and understand the hazards involved.
- Children shall not play with the appliance. Cleaning and user maintenance shall not be made by children without supervision.
- See the chapter "SPECIFICATIONS" for the type reference of the battery.
- See the section "Installing or removing battery cartridge" for how to remove or install the battery.
- When disposing the battery cartridge, remove it from the tool and dispose of it in a safe place. Follow your local regulations relating to disposal of battery.
- If the tool is not used for a long period of time, the battery must be removed from the tool.
- Do not short the battery cartridge.
- See the chapter "MAINTENANCE" for the appropriate details of precautions during user maintenance.

Explanation of general view

| | | |
|----------------------|-------------------------------|------------------------------------|
| 1 Red indicator | 13 Upper side of dust stopper | 25 Recessed wall |
| 2 Button | 14 Lower side of dust stopper | 26 Wall mount for cordless cleaner |
| 3 Battery cartridge | 15 Groove | 27 Straight pipe |
| 4 OFF button | 16 Dust bag | 28 Cyclone attachment |
| 5 HIGH/LOW button | 17 Lower groove | 29 Suction inlet |
| 6 Battery power lamp | 18 Cleaner cavity | 30 Full line |
| 7 Lamp | 19 Paper pack | 31 Dust case |
| 8 Indicator lamps | 20 Nozzle | 32 Button (two locations) |
| 9 Check button | 21 Cleaner body | 33 Mesh filter |
| 10 Front cover | 22 Extension wand | 34 Hook |
| 11 Front cover joint | 23 Corner nozzle | 35 Port |
| 12 Dust stopper | 24 Sponge filter | |

SPECIFICATIONS

| Model | | DCL142 | DCL182 | DCL182F |
|----------------|-------------------|-----------------|--------------|---------|
| Capacity | with a dust bag | 0.50 L | | |
| | with a paper pack | 0.33 L | | |
| Continuous use | HIGH | Approx. 20 min. | | |
| | LOW | Approx. 40 min. | | |
| Overall length | | 986 mm | 1,004 mm | |
| Net weight | | 1.3 - 1.5 kg | 1.3 - 1.6 kg | |
| Rated voltage | | D.C. 14.4 V | D.C. 18 V | |

- Due to our continuing program of research and development, the specifications herein are subject to change without notice.
- Specifications may differ from country to country.
- The weight does not include accessories but battery cartridge(s). The lightest and heaviest combination weight of the appliance and battery cartridge(s) are shown in the table.

Applicable battery cartridge and charger

| | | |
|-------------------|--|---|
| Battery cartridge | D.C. 14.4 V Model | BL1415N / BL1430B / BL1440 / BL1460B |
| | D.C. 18 V Model | BL1815N / BL1820B / BL1830B / BL1840B / BL1850B / BL1860B |
| Charger | DC18RC / DC18RD / DC18RE / DC18SD / DC18SE / DC18SF / DC18SH | |

- Some of the battery cartridges and chargers listed above may not be available depending on your region of residence.

WARNING: Only use the battery cartridges and chargers listed above. Use of any other battery cartridges and chargers may cause injury and/or fire.

Symbols

The followings show the symbols which may be used for the equipment. Be sure that you understand their meaning before use.



- Read instruction manual.



- Only for EU countries
Due to the presence of hazardous components in the equipment, waste electrical and electronic equipment, accumulators and batteries may have a negative impact on the environment and human health.
Do not dispose of electrical and electronic appliances or batteries with household waste!
In accordance with the European Directive on waste electrical and electronic equipment and on accumulators and batteries and waste accumulators and batteries, as well as their adaptation to national law, waste electrical equipment, batteries and accumulators should be stored separately and delivered to a separate collection point for municipal waste, operating in accordance with the regulations on environmental protection.
This is indicated by the symbol of the crossed-out wheeled bin placed on the equipment.

Intended use

The tool is intended for collecting dry dust.

ENE017-1

ENE127-1

ENA007-2

CORDLESS CLEANER SAFETY WARNINGS

WARNING: IMPORTANT! READ CAREFULLY all safety warnings and all instructions BEFORE USE. Failure to follow the warnings and instructions may result in electric shock, fire and/or serious injury.

1. Do not expose to rain. Store indoors.
2. Do not allow to be used as a toy. Close attention is necessary when used by or near children.
3. Use only as described in this manual. Use only manufacturer's recommended attachments.
4. Do not use with damaged battery. If appliance is not working as it should, has been dropped, damaged, left outdoors, or dropped into water, return it to a service center.
5. Do not handle appliance with wet hands.
6. Do not put any object into openings. Do not use with any opening blocked; keep free of dust, lint, hair, and anything that may reduce air flow.
7. Keep hair, loose clothing, fingers, and all parts of body away from openings and moving parts.
8. Turn off all controls before removing the battery.
9. Use extra care when cleaning on stairs.
10. Do not use to pick up flammable or combustible liquids, such as gasoline, or use in areas where they may be present.
11. Use only the charger supplied by the manufacturer to recharge.

12. Do not pick up anything that is burning or smoking, such as cigarettes, matches, or hot ashes.
13. Do not use without dust bag and/or filters in place.
14. Do not charge the battery outdoors.
15. Recharge only with the charger specified by the manufacturer. A charger that is suitable for one type of battery pack may create a risk of fire when used with another battery pack.
16. Use power tools only with specifically designated battery packs. Use of any other battery packs may create a risk of injury and fire.
17. When (the) battery pack is not in use, keep it away from other metal objects, like paper clips, coins, keys, nails, screws or other small metal objects, that can make a connection from one terminal to another.
18. Under abusive conditions, liquid may be ejected from the battery; avoid contact. If contact accidentally occurs, flush with water.
19. Do not use a battery pack or tool that is damaged or modified. Damaged or modified batteries may exhibit unpredictable behaviour resulting in fire, explosion or risk of injury.
20. Do not expose a battery pack or tool to fire or excessive temperature. Exposure to fire or temperature above 130 °C may cause explosion.
21. Follow all charging instructions and do not charge the battery pack or tool outside the temperature range specified in the instructions. Charging improperly or at temperatures outside the specified range may damage the battery and increase the risk of fire.

SAVE THESE INSTRUCTIONS.

ADDITIONAL SAFETY RULES

This appliance is intended for household use.

1. Read this instruction manual and the charger instruction manual carefully before use.
2. Do not pick up the following materials:
 - Hot materials such as lit cigarettes or spark/metal dust generated by grinding/cutting metal
 - Flammable materials such as gasoline, thinner, benzene, kerosene or paint
 - Explosive materials like nitroglycerin
 - Ignitable materials such as Aluminum, zinc, magnesium, titanium, phosphorus or celluloid
 - Wet dirt, water, oil or the like
 - Hard pieces with sharp edges, such as wood chips, metals, stones, glasses, nails, pins or razors
 - Powder to clot such as cement or toner
 - Conductive dust such as metal or carbon
 - Fine particle like concrete dust

Such action may cause fire, injury and/or property damage.
3. Stop operation immediately if you notice anything abnormal.
4. If you drop or strike the cleaner, check it carefully for cracks or damage before operation.
5. Do not bring close to stoves or other heat sources.

6. Do not block the intake hole or vent holes.

SAVE THESE INSTRUCTIONS.

ENC007-16

IMPORTANT SAFETY INSTRUCTIONS FOR BATTERY CARTRIDGE

1. Before using battery cartridge, read all instructions and cautionary markings on (1) battery charger, (2) battery, and (3) product using battery.
2. Do not disassemble or tamper the battery cartridge. It may result in a fire, excessive heat, or explosion.
3. If operating time has become excessively shorter, stop operating immediately. It may result in a risk of overheating, possible burns and even an explosion.
4. If electrolyte gets into your eyes, rinse them out with clear water and seek medical attention right away. It may result in loss of your eyesight.
5. Do not short the battery cartridge:
 - (1) Do not touch the terminals with any conductive material.
 - (2) Avoid storing battery cartridge in a container with other metal objects such as nails, coins, etc.
 - (3) Do not expose battery cartridge to water or rain.

A battery short can cause a large current flow, overheating, possible burns and even a breakdown.

6. Do not store and use the tool and battery cartridge in locations where the temperature may reach or exceed 50°C (122°F).
7. Do not incinerate the battery cartridge even if it is severely damaged or is completely worn out. The battery cartridge can explode in a fire.
8. Do not nail, cut, crush, throw, drop the battery cartridge, or hit against a hard object to the battery cartridge. Such conduct may result in a fire, excessive heat, or explosion.
9. Do not use a damaged battery.
10. The contained lithium-ion batteries are subject to the Dangerous Goods Legislation requirements.

For commercial transports e.g. by third parties, forwarding agents, special requirement on packaging and labeling must be observed.

For preparation of the item being shipped, consulting an expert for hazardous material is required. Please also observe possibly more detailed national regulations.

Tape or mask off open contacts and pack up the battery in such a manner that it cannot move around in the packaging.

11. When disposing the battery cartridge, remove it from the tool and dispose of it in a safe place. Follow your local regulations relating to disposal of battery.
12. Use the batteries only with the products specified by Makita. Installing the batteries to non-compliant products may result in a fire, excessive heat, explosion, or leak of electrolyte.
13. If the tool is not used for a long period of time, the battery must be removed from the tool.

14. During and after use, the battery cartridge may take on heat which can cause burns or low temperature burns. Pay attention to the handling of hot battery cartridges.
15. Do not touch the terminal of the tool immediately after use as it may get hot enough to cause burns.
16. Do not allow chips, dust, or soil stuck into the terminals, holes, and grooves of the battery cartridge. It may result in poor performance or breakdown of the tool or battery cartridge.
17. Unless the tool supports the use near high-voltage electrical power lines, do not use the battery cartridge near a high-voltage electrical power lines. It may result in a malfunction or breakdown of the tool or battery cartridge.
18. Keep the battery away from children.

SAVE THESE INSTRUCTIONS.

CAUTION:

- Only use genuine Makita batteries. Use of non-genuine Makita batteries, or batteries that have been altered, may result in the battery bursting causing fires, personal injury and damage. It will also void the Makita warranty for the Makita tool and charger.

Tips for maintaining maximum battery life

1. Charge the battery cartridge before completely discharged. Always stop tool operation and charge the battery cartridge when you notice less tool power.
2. Never recharge a fully charged battery cartridge. Overcharging shortens the battery service life.
3. Charge the battery cartridge with room temperature at 10°C – 40°C (50°F – 104°F). Let a hot battery cartridge cool down before charging it.
4. When not using the battery cartridge, remove it from the tool or the charger.
5. Charge the battery cartridge if you do not use it for a long period (more than six months).

FUNCTIONAL DESCRIPTION

CAUTION:

- Always be sure that the tool is switched off and the battery cartridge is removed before adjusting or checking function on the tool.
- Take care not to trap finger(s) between cleaner and battery as shown in diagram when loading battery. Trapping finger(s) may cause injury. (Fig. 1)

Installing or removing battery cartridge (Fig. 2)

CAUTION:

- Always switch off the tool before installing or removing of the battery cartridge.
- Hold the tool and the battery cartridge firmly when installing or removing battery cartridge. Failure to hold the tool and the battery cartridge firmly may cause them to slip off your hands and result in damage to the tool and battery cartridge and a personal injury.

To remove the battery cartridge, slide it from the tool while sliding the button on the front of the cartridge.

To install the battery cartridge, align the tongue on the battery cartridge with the groove in the housing and slip it into place. Insert it all the way until it locks in place with a little click. If you can see the red indicator on the upper side of the button, it is not locked completely.

CAUTION:

- Always install the battery cartridge fully until the red indicator cannot be seen. If not, it may accidentally fall out of the tool, causing injury to you or someone around you.
- Do not install the battery cartridge forcibly. If the cartridge does not slide in easily, it is not being inserted correctly.

Battery protection system

The cleaner is equipped with the protection system, which automatically cuts off the output power for its long service life.

The cleaner stops during operation when the cleaner and/or battery are placed under the following situation. This is caused by the activation of protection system and does not show the cleaner trouble.

- When the cleaner is overloaded:
At this time, release the switch trigger and remove causes of overload and then pull the switch trigger again to restart.
- When the remaining battery capacity gets low:
Recharge the battery cartridge.

Switch action (Fig. 3)

To start the cleaner, simply press the "HIGH/LOW" button. To switch off, press the "OFF" button. To change the cleaner speed, press the "HIGH/LOW" button. The first press on this button is for high speed and the second press for low speed and then each press on this button repeats the high/low speed cycle alternatively.

Lighting the lamp (Fig. 4)

For Model DCL182F only

CAUTION:

- Never look into the light directly. Direct light causes damage to your eyes.

To turn on the lamp, simply press the "HIGH/LOW" button. To turn off the lamp, press the "OFF" button.

Indicating the remaining battery capacity (Fig. 5)

Only for battery cartridges with the indicator

Press the check button on the battery cartridge to indicate the remaining battery capacity. The indicator lamps light up for few seconds.

| Indicator lamps | | | Remaining Capacity |
|-----------------|-----|----------|---------------------|
| Lighted | Off | Blinking | |
| ■ ■ ■ ■ | | | 75% to 100% |
| ■ ■ ■ □ | | | 50% to 75% |
| ■ ■ □ □ | | | 25% to 50% |
| ■ □ □ □ | | | 0% to 25% |
| ◐ □ □ □ | | | Charge the battery. |

| Indicator lamps | | | Remaining Capacity |
|-----------------|-----|----------|-------------------------------------|
| Lighted | Off | Blinking | |
| ■ ■ □ □ | □ □ | ◐ □ | The battery may have malfunctioned. |
| □ □ | ■ ■ | ■ ■ | |

015658

NOTE:

- Depending on the conditions of use and the ambient temperature, the indication may differ slightly from the actual capacity.

Battery power lamp (Fig. 3)

- When the remaining battery capacity gets low, the battery power lamp blinks.
- When the remaining battery capacity gets much lower, the tool stops during operation and the battery power lamp lights up for about ten seconds. At this time, remove the battery cartridge from the tool and charge it.

NOTE:

- The time at which the battery power lamp start blinking or lighting up depends on the temperature at work place and the battery cartridge conditions.

ASSEMBLY

CAUTION:

- Always be sure that the tool is switched off and the battery cartridge is removed before carrying out any work on the tool.

Disposing of Dust

CAUTION:

- Empty the cleaner before it becomes too full, or the suction force weakens.
- Be sure to empty out the dust inside the cleaner itself. Failure to do so may cause the sponge filter to be clogged or the motor to be damaged.
- Never throw away the dust stopper because it should be used whenever either the dust bag or the paper pack is used.

1. Push the button to open the front cover. Opening it until a click is heard allows a positive stop at that position. (Fig. 6)

NOTE:

- The cleaner is constructed in such a way that the front cover comes off when trying to force the front cover open at the angle of more than 90°. If the front cover comes off, insert it into the front cover joint in place. (Fig. 7)

CAUTION:

- When closing the front cover, be careful not to pinch your fingers.
2. Pull out both the orange-colored dust stopper and dust bag together at the same time. (Fig. 8)
 3. Remove the dust stopper and empty the cleaner. (Fig. 9 & 10)

Dust bag and paper pack

Install either dust bag or paper pack before using cleaner.

Use the dust stopper when installing either dust bag or paper pack.

Dust bag is usable many times repeatedly by cleaning it out.

Paper pack is a throw-away type. Throw away the entire paper pack without emptying when it has become full.

Installing dust bag

Use the dust stopper when installing dust bag. Be careful not to take the upper side for the lower side by mistake because they are different each other. (Fig. 11)

1. Insert the protrusion of the dust bag into the groove in the dust stopper as shown in the figure. (Fig. 12)
2. There is no distinction between the upper and lower sides of the dust bag. You may insert its protrusion of any side into the lower groove of the dust stopper. (Fig. 13)
3. Overlap the frame of dust stopper with that of the dust bag. (Fig. 14)
4. Place the dust stopper and the dust bag together into the cleaner cavity in the same direction of arrow on the dust stopper. Insert them all the way into the slots in the cleaner cavity. (Fig. 15)
5. Place the entire cloth part of the dust bag inside the tool itself. (Fig. 16)
6. Close the front cover completely. (Fig. 17)

Installing the paper pack

1. Unfold the entrance of the paper pack before setting it on the dust stopper. (Fig. 18)

Use the dust stopper also when installing paper pack. Be careful not to take the upper side for the lower side by mistake because they are different each other. (Fig. 19)

2. Insert the protrusion of the paper pack into the groove in the dust stopper as shown in the figure. (Fig. 20)
3. There is no distinction between the upper and lower sides of the paper pack. You may insert its protrusion of any side into the lower groove of the dust stopper. (Fig. 21)
4. Overlap the frame of dust stopper with that of the paper pack. (Fig. 22)
5. Place the dust stopper and the paper pack together into the cleaner cavity in the same direction of arrow on the dust stopper. Insert them all the way into the slots in the cleaner cavity. (Fig. 23)
6. Place the entire container part of the paper pack inside the tool itself. (Fig. 24)
7. Close the front cover completely.

CAUTION:

- Forgetting to install the dust bag or the paper pack, failure to insert the dust stopper together with the dust bag or the paper pack all the way into the slots or using a broken or ripped bag, may allow dust to get into the motor. This may result in motor failure.
- Do not fold the cardboard at its opening when installing the paper pack.
- Never throw away the dust stopper because it need to be used repeatedly whenever either the dust bag or the paper pack is used.

- The paper pack for the cleaner is an important component for maintaining the tool performance. Using other than the genuine paper pack may cause smokes or ignition.

OPERATION

CAUTION:

- To connect attachments, such as nozzle, twist-insert attachment in direction of arrow to ensure secure connection during use. To disconnect attachment, twist-extract also in direction of arrow. (Fig. 25)

Cleaning (Suction)

Nozzle (Fig. 26)

Attach the nozzle to clean off tables, desks, furniture, etc. Nozzle slips on easily.

Nozzle + Extension wand (Straight pipe) (Fig. 27)

The extension wand fits in between the nozzle and the cleaner itself. This arrangement is convenient for cleaning a floor while standing erect.

Corner nozzle (Fig. 28)

Fit on the corner nozzle for cleaning corners and crevices of a car or furniture.

Corner nozzle + Extension wand (Straight pipe) (Fig. 29)

In tight quarters where the cleaner itself cannot squeeze in, or in high places hard to reach, use this arrangement.

Cleaning without nozzle (Fig. 30)

You can pick up powder and dust without nozzle.

MAINTENANCE

CAUTION:

- Always be sure that the tool is switched off before attempting to perform inspection or maintenance.

After use

NOTE:

- Putting the cleaner against the wall without any other support cause the cleaner to fall down and be damaged. (Fig. 31)

Cleaning

From time to time wipe off the outside (cleaner body) of the cleaner using a cloth dampened in soapy water. Clean out also the suction opening, dust bag/paper pack mounting area and the dust stopper. (Fig. 32)

CAUTION:

- Never use gasoline, benzine, thinner, alcohol or the like. Discoloration, deformation or cracks may result.

Wash the dust bag in soapy water when it is clogged with dust and the cleaner power becomes small. Dry it out thoroughly before use. An insufficiently dried bag may cause poor suction and shorten the service life of the motor. (Fig. 33)

NOTE:

- Paper pack is a throw-away type.

When the sponge filter is clogged with dust, remove it from the cleaner and then wipe it off or wash in water.

Removing and installing the sponge filter (Fig. 34 & 35)

To remove the sponge filter, remove the dust bag or paper pack and then pinch and take it out.

Press in the whole edge of the sponge filter against the recessed wall inside the dust bag/paper pack mounting area.

CAUTION:

- After cleaning sponge filter, be sure to install it on the cleaner. If washed in water, dry it up before installing. An insufficiently dried sponge filter may shorten the service life of the motor.

Wall mount for cordless cleaner

Optional accessory

NOTE:

- The screw to mount the holder is not included. Prepare a screw which fits with the material to screw into.

Attach the wall mount for cordless cleaner to a hard wooden wall, beam or column, where the wall mount for cordless cleaner can be firmly secured. Always be sure that the wall mount for cordless cleaner is securely attached before hanging the cleaner. (Fig. 36)

CAUTION:

- **Do not hang the cleaner to the wall mount violently or hang other appliances than the cleaner.**

Things to Check Before Asking for Repairs

| Symptom | Area to be investigated | Fixing method |
|--------------------|---|--|
| Weak suction power | <ul style="list-style-type: none"> • Is dust bag or paper pack full of dust? • Is dust bag clogged? • Is paper pack clogged? • Is the battery cartridge discharged? | <ul style="list-style-type: none"> • Empty dust bag or paper pack. • Dust down or wash the dust bag. • Replace paper pack. • Charge the battery cartridge. |
| Not working | <ul style="list-style-type: none"> • Is the battery cartridge discharged? | <ul style="list-style-type: none"> • Charge the battery cartridge. |

011566

NOTE:

- Do not attempt to repair cleaner by yourself.

To maintain product SAFETY and RELIABILITY, repairs, any other maintenance or adjustment should be performed by Makita Authorized Service Centers, always using Makita replacement parts.

OPTIONAL ACCESSORIES

CAUTION:

- These accessories or attachments are recommended for use with your Makita cleaner specified in this manual. The use of any other accessories or attachments might present a risk of injury to persons. Only use accessory or attachment for its stated purpose.

If you need any assistance for more details regarding these accessories, ask your local Makita Service Center.

- Extension wand (Straight pipe)
- Nozzle
- Nozzle for carpet
- Shelf brush
- Corner nozzle
- Round brush
- Flexible hose
- Paper pack
- Wall mount for cordless cleaner
- Cyclone attachment
- Makita genuine battery and charger

NOTE:

- Some items in the list may be included in the tool package as standard accessories. They may differ from country to country.

Cyclone attachment (Fig. 37)

About the cyclone attachment

Using the cleaner with the cyclone attachment installed reduces the amount of dust that enters the dust bag, which helps to prevent the suction force from weakening. In addition, cleaning after use is also simple.

CAUTION:

- **Always be sure that the tool is switched off and the battery cartridge is removed before carrying out any work on the tool.** If the battery cartridge is left inserted, the cleaner may start unexpectedly and result in injury.
- **Clean the mesh filter of the cyclone attachment and the dust bag of the cleaner unit when they become clogged.** Continued use in the clogged condition may result in heating or smoke.

NOTICE:

- **When the cyclone attachment is attached, do not use the cleaner in the horizontal or upward facing condition.** Doing so may cause the mesh filter to become clogged.
- **Always use the cleaner with the dust bag installed, even when using the cyclone attachment.** Using the cleaner without the dust bag installed may result in a motor malfunction.

NOTE:

- Check that the cyclone attachment, cleaner, and straight pipe are locked properly before use.
- Empty the dust case of the cyclone attachment and the dust bag of the cleaner when dust has accumulated. Continued use will result in weakened suction force.

Disposing of dust

When dust has accumulated up to the full line of the dust case, follow the procedure below and dispose of the dust.

1. Hold the dust case firmly, press and hold the two buttons, and remove the dust case. (Fig. 38)
2. Dispose of the dust inside the dust case and remove any dust and powder adhered to the surface of the mesh filter.
3. Insert the dust case all the way until the two buttons lock with a click. (Fig. 39)

NOTE:

- Check that the cyclone attachment, cleaner, and straight pipe are all firmly connected before restarting operation.
- If the suction force does not recover even after disposing of the dust and cleaning the mesh filter, check whether dust has accumulated in the dust bag of the cleaner or clogging has occurred.

Cleaning

When the dust case becomes dirty or the mesh filter is clogged, remove and wash them with water. (Refer to "Disposing of dust" for the removal procedure.)

Dry the parts thoroughly before reinstallation and use. **(Fig. 40)**

When the mesh filter gets dirty badly, clean it in the following procedures.

1. Turn the mesh filter counterclockwise and remove it while the hooks are unlocked. **(Fig. 41)**
2. Remove the dust on the mesh filter and then wash it with water. After that, dry it thoroughly.
3. Insert the mesh filter into the base while the hooks are aligned with the port. Turn the mesh filter clockwise until the hooks are locked with a click. Make sure that the mesh filter is installed securely. **(Fig. 42)**

AVERTISSEMENT

- Cet appareil peut être utilisé par des enfants de 8 ans et plus, ainsi que par des personnes aux facultés physiques, sensorielles ou mentales diminuées ou sans expérience ni expertise sous la surveillance d'un adulte ou s'ils ont reçu des instructions concernant l'utilisation en toute sécurité de l'appareil et s'ils comprennent les risques encourus.
- Ne laissez pas les enfants jouer avec l'appareil. Le nettoyage et l'entretien à la charge de l'utilisateur ne doivent pas être réalisés par des enfants sans surveillance.
- Voir le chapitre « SPÉCIFICATIONS » pour la désignation de la batterie.
- Voir la section « Insertion ou retrait de la batterie » pour la méthode de retrait ou d'insertion de la batterie.
- Une fois la batterie arrivée en fin de vie, retirez-la de l'outil et déposez-la en lieu sûr. Respectez la réglementation locale en matière de mise au rebut des batteries.
- Lorsque vous n'utilisez pas l'outil pendant une période prolongée, la batterie doit être retirée de l'outil.
- Ne court-circuitez pas la batterie.
- Voir le chapitre « ENTRETIEN » pour des précautions détaillées pendant l'entretien à la charge de l'utilisateur.

Descriptif

| | | | | | |
|----|--------------------------------------|----|---|----|--|
| 1 | Témoin rouge | 13 | Face supérieure de l'écran antipoussières | 24 | Filtre-éponge |
| 2 | Bouton | | | 25 | Paroi encastrée |
| 3 | Batterie | 14 | Face inférieure de l'écran antipoussières | 26 | Fixation murale pour aspirateur sans fil |
| 4 | Bouton OFF | 15 | Rainure | 27 | Tuyau droit |
| 5 | Bouton HIGH/LOW | 16 | Sac à poussières | 28 | Collecteur cyclone |
| 6 | Témoin d'alimentation de la batterie | 17 | Rainure inférieure | 29 | Entrée d'aspiration |
| 7 | Lampe | 18 | Cavité de l'aspirateur | 30 | Ligne Plein |
| 8 | Voyants lumineux | 19 | Ensemble papier | 31 | Logement à poussières |
| 9 | Bouton de vérification | 20 | Raccord | 32 | Bouton (deux emplacements) |
| 10 | Couvercle avant | 21 | Aspirateur | 33 | Filtre à maille |
| 11 | Raccord de couvercle avant | 22 | Tube prolongateur | 34 | Crochet |
| 12 | Écran antipoussières | 23 | Raccord pour coin | 35 | Orifice |

SPÉCIFICATIONS

| Modèle | | DCL142 | DCL182 | DCL182F |
|----------------------|--------------------------|-----------------|--------------|---------|
| Capacité | avec un sac à poussières | 0,50 L | | |
| | avec un ensemble papier | 0,33 L | | |
| Utilisation continue | HIGH | Environ 20 min. | | |
| | LOW | Environ 40 min. | | |
| Longueur totale | | 986 mm | 1 004 mm | |
| Poids net | | 1,3 - 1,5 kg | 1,3 - 1,6 kg | |
| Tension nominale | | C.c. 14,4 V | C.c. 18 V | |

- Étant donné l'évolution constante de notre programme de recherche et de développement, les spécifications contenues dans ce manuel sont sujettes à modification sans préavis.
- Les spécifications peuvent varier suivant les pays.
- Le poids ne comprend pas les accessoires, mais la ou les batteries. Le poids combiné le plus léger et le plus lourd de l'appareil et de la ou des batteries est indiqué dans le tableau.

Batterie et chargeur applicables

| | | |
|----------|------------------|--|
| Batterie | Modèle 14,4 V CC | BL1415N / BL1430B / BL1440 / BL1460B |
| | Modèle 18 V CC | BL1815N / BL1820B / BL1830B / BL1840B / BL1850B / BL1860B |
| Chargeur | | DC18RC / DC18RD / DC18RE / DC18SD / DC18SE / DC18SF / DC18SH |

- Certains chargeurs et batteries répertoriés ci-dessus peuvent ne pas être disponibles selon la région où vous résidez.

AVERTISSEMENT : N'utilisez que les batteries et les chargeurs répertoriés ci-dessus. L'utilisation d'autres batteries et chargeurs peut provoquer des blessures et/ou un incendie.

END315-1

Symboles

Vous trouverez ci-dessous les symboles susceptibles d'être utilisés pour l'appareil. Assurez-vous que vous comprenez leur signification avant utilisation.



- Lisez le manuel d'instruction.



- Pour les pays de l'Union européenne uniquement

En raison de la présence de composants dangereux dans l'équipement, les déchets d'équipements électriques et électroniques, les accumulateurs et les batteries peuvent avoir un impact négatif sur l'environnement et la santé humaine.

Ne jetez pas les appareils électriques et électroniques ou les batteries avec les ordures ménagères !

Conformément à la directive européenne relative aux déchets d'équipements électriques et électroniques et aux déchets d'accumulateurs et de batteries, ainsi qu'à son adaptation à la législation nationale, les déchets d'équipements électriques, les batteries et les accumulateurs doivent être collectés séparément et déposés dans un point de collecte distinct pour déchets urbains, conformément aux réglementations en matière de protection de l'environnement.

Cela est indiqué par le symbole de la poubelle à roulettes barrée sur l'équipement.

ENE017-1

Usage

L'outil est conçu pour la collecte des poussières sèches.

ENA007-2

CONSIGNES DE SÉCURITÉ POUR ASPIRATEUR SANS FIL

AVERTISSEMENT : IMPORTANT ! LIRE ATTENTIVEMENT toutes les consignes de sécurité et toutes les instructions AVANT UTILISATION. Le non-respect des avertissements et des instructions peut entraîner une électrocution, un incendie et/ou de graves blessures.

1. **Ne pas exposer à la pluie. Ranger à l'intérieur.**
2. **Ne pas laisser utiliser comme jouet. Une surveillance étroite est requise lors de l'utilisation par un enfant ou près d'un enfant.**

3. **Utiliser uniquement de la façon décrite dans ce manuel. Utiliser uniquement les accessoires recommandés par le fabricant.**
4. **Ne pas utiliser avec une batterie endommagée. Si l'appareil ne fonctionne pas comme il devrait, s'il est tombé, s'il a été endommagé, laissé à l'extérieur ou s'il est tombé dans l'eau, le renvoyer à un centre de service après-vente.**
5. **Ne pas manipuler l'appareil avec les mains mouillées.**
6. **N'insérer aucun objet dans les ouvertures. Ne pas utiliser si l'une des ouvertures est bloquée ; toujours enlever les poussières, peluches, cheveux et autres corps étrangers pouvant affecter la circulation de l'air.**
7. **Garder les cheveux, vêtements amples, doigts et toute autre partie du corps à l'écart des ouvertures et des pièces en mouvement.**
8. **Désactiver toutes les commandes avant de retirer la batterie.**
9. **Redoubler de prudence lorsque l'on passe l'aspirateur dans un escalier.**
10. **Ne pas utiliser pour collecter des liquides inflammables ou combustibles tels que l'essence, ou dans des zones où de tels liquides peuvent être présents.**
11. **Pour charger la batterie, utiliser uniquement le chargeur fourni par le fabricant.**
12. **Ne collecter aucune substance enflammée ou qui dégage de la fumée, telles que cigarettes, allumettes ou cendres chaudes.**
13. **Ne pas utiliser sans avoir posé le sac à poussière et/ou les filtres.**
14. **Ne pas charger la batterie à l'extérieur.**
15. **Recharger la batterie uniquement avec le chargeur spécifié par le fabricant.** Un chargeur prévu pour un type de batterie peut être à l'origine d'un incendie s'il est utilisé avec une autre batterie.
16. **Utiliser l'outil électrique uniquement avec la batterie spécifiquement indiquée.** L'utilisation de toute autre batterie peut présenter un risque de blessure et d'incendie.
17. **Lorsque la batterie n'est pas utilisée, la tenir à l'écart des objets métalliques, comme des trombones, pièces de monnaie, clés, clous, vis ou autres petits objets métalliques, susceptibles de créer une connexion entre deux bornes.**
18. **Dans des conditions d'utilisation inadéquate, il peut y avoir une fuite de l'électrolyte de la batterie. Le cas échéant, éviter tout contact avec ce liquide. En cas de contact accidentel, rincer à l'eau.**

19. **N'utilisez pas une batterie ou un outil s'ils sont endommagés ou modifiés.** Une batterie endommagée ou modifiée peut avoir un comportement imprévisible susceptible d'entraîner un incendie, une explosion ou des blessures.
20. **N'exposez pas la batterie ou l'outil au feu ou à une température excessive.** L'exposition au feu ou à une température supérieure à 130 °C peut provoquer une explosion.
21. **Respectez toutes les instructions de charge et ne chargez pas la batterie ou l'outil en dehors de la plage de température indiquée dans les instructions.** Une charge incorrecte ou à une température en dehors de la plage indiquée peut endommager la batterie et augmenter le risque d'incendie.

CONSERVEZ CES INSTRUCTIONS.

ENB127-1

CONSIGNES DE SÉCURITÉ ADDITIONNELLES

Cet appareil est conçu pour l'utilisation à l'intérieur.

1. Lire attentivement ce manuel d'instructions et celui du chargeur avant l'utilisation.
2. Ne pas collecter les matériaux suivants :
 - Matériaux chauds tels que cigarettes allumées, étincelles ou poussières de métal générées par le meulage ou la coupe du métal
 - Matériaux inflammables tels que l'essence, les diluants, la benzine, le kérosène et la peinture
 - Matériaux explosifs tels que la nitroglycérine
 - Matériaux inflammables tels que l'aluminium, le zinc, le magnésium, le titane, le phosphore et le celluloid
 - Saletés mouillées, eau, huile, etc.
 - Pièces dures à bords tranchants, telles que copeaux de bois, pièces de métal, pierres, verres, clous, broches et lames de rasoir
 - Poudres telles que ciment en poudre ou encre en poudre
 - Poussière conductrice telle que poussière de métal ou de carbone
 - Particules fines telles que la poussière de ciment

La collecte de tels matériaux peut causer un incendie, une blessure ou des dommages à la propriété.
3. Cesser immédiatement l'utilisation en cas d'anomalie.
4. Si l'aspirateur est échappé ou heurté, vérifier attentivement l'absence de fissures ou de dommages avant l'utilisation.
5. Ne pas approcher des fourneaux ou autres sources de chaleur.
6. Ne pas bloquer les orifices d'entrée ou de sortie d'air.

CONSERVER CES INSTRUCTIONS.

CONSIGNES DE SÉCURITÉ IMPORTANTES POUR LA BATTERIE

1. **Avant d'utiliser la batterie, lisez toutes les instructions et précautions relatives (1) au chargeur de batterie, (2) à la batterie, et (3) au produit utilisant la batterie.**
2. **Ne désassemblez pas et ne modifiez pas la batterie.** Cela pourrait entraîner un incendie, une chaleur excessive ou une explosion.
3. **Cessez immédiatement l'utilisation si le temps de fonctionnement devient excessivement court. Il y a risque de surchauffe, de brûlures, voire d'explosion.**
4. **Si l'électrolyte pénètre dans vos yeux, rincez-les à l'eau claire et consultez immédiatement un médecin. Il y a risque de perte de la vue.**
5. **Ne court-circuitez pas la batterie :**
 - (1) Ne touchez les bornes avec aucun matériau conducteur.
 - (2) Évitez de ranger la batterie dans un conteneur avec d'autres objets métalliques, par exemple des clous, des pièces de monnaie, etc.
 - (3) N'exposez pas la batterie à l'eau ou à la pluie. Un court-circuit de la batterie peut provoquer une intensité de courant élevée, une surchauffe, parfois des brûlures et même une panne.
6. **Ne rangez ni n'utilisez l'outil et la batterie dans un endroit où la température risque d'atteindre ou de dépasser 50 °C.**
7. **Ne jetez pas la batterie au feu même si elle est sérieusement endommagée ou complètement épuisée. La batterie peut exploser au contact du feu.**
8. **Abstenez-vous de clouer, couper, écraser, jeter, laisser tomber la batterie, ou de la heurter contre un objet dur.** Cela pourrait entraîner un incendie, une chaleur excessive ou une explosion.
9. **N'utilisez pas la batterie si elle est endommagée.**
10. **Les batteries au lithium-ion contenues sont soumises aux exigences de la législation sur les marchandises dangereuses.**

Lors du transport commercial par des tierces parties ou des transitaires par exemple, des exigences spécifiques en matière d'étiquetage et d'emballage doivent être respectées.

Pour la préparation de l'article expédié, il est nécessaire de consulter un expert en matériau dangereux. Veuillez également respecter les réglementations nationales susceptibles d'être plus détaillées.

Recouvrez les contacts exposés avec du ruban adhésif ou du ruban de masquage et emballez la batterie de telle sorte qu'elle ne puisse pas bouger dans l'emballage.
11. **Lors de la mise au rebut de la batterie, retirez-la de l'outil et jetez-la en lieu sûr. Suivez les réglementations locales en matière de mise au rebut des batteries.**
12. **Utilisez les batteries uniquement avec les produits spécifiés par Makita.** L'insertion de batteries dans des produits non conformes peut provoquer un incendie, une chaleur excessive, une explosion ou une fuite de l'électrolyte.

13. Lorsque vous n'utilisez pas l'outil pendant une période prolongée, la batterie doit être retirée de l'outil.
14. Pendant et après l'utilisation, la batterie peut chauffer, ce qui peut entraîner des brûlures, y compris en cas de température relativement basse. Manipulez les batteries chaudes avec précaution.
15. Ne touchez pas la borne de l'outil immédiatement après utilisation car elle peut être assez chaude pour provoquer des brûlures.
16. Évitez que des copeaux, de la poussière ou du sol adhèrent aux bornes, aux trous et aux rainures de la batterie. Cela pourrait réduire les performances ou casser l'outil ou la batterie.
17. À moins que l'outil prenne en charge un tel usage, n'utilisez pas la batterie à proximité de lignes électriques haute tension. Cela pourrait entraîner un dysfonctionnement ou casser l'outil ou la batterie.
18. Conservez la batterie hors de portée des enfants.

CONSERVEZ CES INSTRUCTIONS.

ATTENTION :

- N'utilisez que des batteries Makita d'origine. L'utilisation de batteries de marque autre que Makita ou de batteries modifiées peut provoquer l'explosion des batteries, ce qui présente un risque d'incendie, de dommages matériels et corporels. Cela annulera également la garantie Makita pour l'outil et le chargeur Makita.

Conseils pour assurer la durée de vie optimale de la batterie

1. Chargez la batterie avant qu'elle ne soit complètement déchargée. Arrêtez toujours l'outil et rechargez la batterie quand vous remarquez que la puissance de l'outil diminue.
2. Ne rechargez jamais une batterie complètement chargée. La surcharge réduit la durée de service de la batterie.
3. Chargez la batterie à une température ambiante comprise entre 10 °C et 40 °C. Avant de charger une batterie chaude, laissez-la refroidir.
4. Lorsque vous n'utilisez pas la batterie, retirez-la de l'outil ou du chargeur.
5. Rechargez la batterie si elle est restée inutilisée pendant une période prolongée (plus de six mois).

DESCRIPTION DU FONCTIONNEMENT

ATTENTION :

- Assurez-vous toujours que l'outil est hors tension et que sa batterie est retirée avant de l'ajuster ou de vérifier son fonctionnement.
- Lors de la mise en place de la batterie, prenez garde de ne pas se coincer les doigts entre l'aspirateur et la batterie, tel qu'illustré sur le schéma. Il y a risque de blessure en se coincant les doigts. (Fig. 1)

Installation ou retrait de la batterie (Fig. 2)

ATTENTION :

- Mettez toujours l'outil hors tension avant d'installer ou de retirer la batterie.

- Lorsque vous posez ou retirez la batterie, tenez fermement l'outil et la batterie. Si vous ne tenez pas fermement l'outil et la batterie, ils risquent de s'abîmer en vous glissant des mains, et vous courez un risque de blessure corporelle.

Pour retirer la batterie, faites-la glisser de l'outil tout en faisant glisser le bouton à l'avant de la batterie.

Pour installer la batterie, alignez la languette de la batterie avec la rainure située dans le carter, puis faites-la glisser en place. Insérez-la à fond, jusqu'à ce qu'elle se mette en place avec un léger dé clic. Si le témoin rouge est visible sur la face supérieure du bouton, cela signifie que la batterie n'est pas parfaitement verrouillée.

ATTENTION :

- Insérez toujours la batterie à fond, jusqu'à ce que le témoin rouge ne soit plus visible. Sinon, elle pourrait tomber accidentellement de l'outil, au risque de vous blesser ou de blesser quelqu'un se trouvant près de vous.
- Ne forcez pas pour insérer la batterie. Si la batterie ne glisse pas aisément, c'est qu'elle n'est pas insérée correctement.

Circuit de protection de la batterie

L'aspirateur est doté d'un circuit de protection qui coupe automatiquement l'alimentation afin d'assurer une longue durée de service.

Il se peut que l'aspirateur s'arrête pendant l'utilisation lorsque l'aspirateur ou la batterie se trouve dans la situation suivante. Cet arrêt est causé par l'activation du circuit de protection et n'indique aucun dysfonctionnement.

- Lorsque l'aspirateur est surchargé :
Libérez alors la gâchette, éliminez la cause de la surcharge puis appuyez de nouveau sur la gâchette pour redémarrer.
- Lorsque la batterie est faible :
Rechargez la batterie.

Interrupteur (Fig. 3)

Pour faire démarrer l'aspirateur, appuyez simplement sur le bouton "HIGH/LOW". Pour l'éteindre, appuyez sur le bouton "OFF". Pour modifier la puissance de l'aspirateur, appuyez sur le bouton "HIGH/LOW". La première pression sur ce bouton est pour la puissance élevée, et la deuxième pour la basse puissance ; chaque nouvelle pression sur ce bouton répète l'alternance du cycle de puissance élevée/basse.

Allumage de la lampe (Fig. 4)

Pour le modèle DCL182F uniquement

ATTENTION :

- Ne regardez jamais directement la lumière. La lumière directe peut provoquer des lésions oculaires.

Pour allumer la lampe, il suffit d'appuyer sur le bouton "HIGH/LOW". Pour éteindre la lampe, appuyez sur le bouton "OFF".

Affichage de la charge restante de la batterie (Fig. 5)

Uniquement pour les batteries avec témoin

Appuyez sur le bouton de vérification situé sur la batterie pour afficher la charge restante de la batterie. Les voyants lumineux s'allument pendant quelques secondes.

| Voyants lumineux | | | Charge restante |
|------------------|--------|------------|---|
| allumé | éteint | clignotant | |
| | | | 75% à 100% |
| | | | 50% à 75% |
| | | | 25% à 50% |
| | | | 0% à 25% |
| | | | Chargez la batterie. |
| | | | La batterie est probablement défectueuse. |

015658

NOTE :

- En fonction des conditions d'utilisation et de la température ambiante, la charge restante affichée peut différer légèrement de la valeur réelle.

Témoin d'alimentation de la batterie (Fig. 3)

- Lorsque la charge restante de la batterie devient basse, le témoin d'alimentation de la batterie clignote.
- Lorsque la charge restante de la batterie devient encore plus basse, l'outil s'arrête pendant l'utilisation et le témoin d'alimentation de la batterie s'allume pendant environ dix secondes. Retirez alors la batterie de l'outil et chargez-la.

NOTE :

- Le moment où le témoin d'alimentation de la batterie se met à clignoter ou s'allume varie suivant la température du lieu de travail et l'état de la batterie.

ASSEMBLAGE

ATTENTION :

- Assurez-vous toujours que l'outil est hors tension et que sa batterie est retirée avant d'effectuer tout travail dessus.

Mise au rebut des poussières

ATTENTION :

- Vider l'aspirateur avant qu'il ne soit trop plein, autrement sa puissance d'aspiration sera moindre.
- Pensez à enlever les poussières à l'intérieur de l'aspirateur lui-même. Autrement les poussières risquent de boucher le filtre-éponge ou d'abîmer le moteur.

- Ne jetez pas l'écran antipoussières, car vous devez l'utiliser chaque fois que vous utilisez le sac à poussières ou l'ensemble papier.

- Appuyez sur le bouton pour ouvrir le couvercle avant. Ouvrez-le jusqu'à ce qu'il émette un léger bruit sec pour le verrouiller en position ouverte. (Fig. 6)

NOTE :

- L'aspirateur est conçu de telle sorte que le couvercle avant se détache lorsqu'on le force à s'ouvrir avec un angle supérieur à 90°. Si le couvercle avant se détache, remettez-le en place en l'insérant dans le raccord de couvercle avant. (Fig. 7)

ATTENTION :

- Prenez garde de vous pincer les doigts en fermant le couvercle avant.
- Tirez en même temps sur l'écran antipoussières orange et sur le sac à poussières pour les retirer. (Fig. 8)
 - Retirez l'écran antipoussières et vider l'aspirateur. (Fig. 9 et 10)

Sac à poussières et ensemble papier

Installer le sac à poussières ou l'ensemble papier avant d'utiliser l'aspirateur.

Utiliser l'écran antipoussières lors de l'installation du sac à poussières ou de l'ensemble papier.

Il est possible de réutiliser plusieurs fois de suite le sac à poussières en le vidant.

L'ensemble papier est de type jetable. Lorsqu'il est plein, le jeter tel quel, sans le vider.

Installation du sac à poussières

Utiliser l'écran antipoussières lors de l'installation du sac à poussières. Éviter d'inverser les faces supérieure et inférieure de l'écran antipoussières, car elles sont différentes. (Fig. 11)

- Insérer la partie saillante du sac à poussières dans la rainure de l'écran antipoussières, tel qu'illustré. (Fig. 12)
- Les faces supérieure et inférieure du sac à poussières sont identiques. Il est possible d'insérer la partie saillante d'une face comme de l'autre dans la rainure inférieure de l'écran antipoussières. (Fig. 13)
- Superposer le cadre de l'écran antipoussières et celui du sac à poussières. (Fig. 14)
- Placer l'écran antipoussières et le sac à poussières ensemble dans la cavité de l'aspirateur, dans le même sens que la flèche qui se trouve sur l'écran antipoussières. Les insérer à fond dans les fentes de la cavité de l'aspirateur. (Fig. 15)
- Placer tout le sac à poussières à l'intérieur de l'outil. (Fig. 16)
- Fermez complètement le couvercle avant. (Fig. 17)

Installation de l'ensemble papier

- Déplier l'ouverture de l'ensemble papier avant de le poser sur l'écran antipoussières. (Fig. 18)

Utilisez aussi l'écran antipoussières lorsque vous installez l'ensemble papier. Prenez garde d'inverser les faces supérieure et inférieure, car elles sont différentes. (Fig. 19)

- Insérez la partie saillante de l'ensemble papier dans la rainure de l'écran antipoussières, tel qu'illustré. (Fig. 20)

3. Les faces supérieure et inférieure de l'ensemble papier sont identiques. Vous pouvez insérer la partie saillante de l'une ou l'autre dans la rainure inférieure de l'écran antipoussières. (Fig. 21)
4. Faites chevaucher le cadre de l'écran antipoussières et celui de l'ensemble papier. (Fig. 22)
5. Mettez l'écran antipoussières et l'ensemble papier ensemble dans la cavité de l'aspirateur, dans le sens indiqué par la flèche de l'écran antipoussières. Insérez-les à fond dans les fentes de la cavité de l'aspirateur. (Fig. 23)
6. Mettez tout le contenant de l'ensemble papier à l'intérieur de l'outil lui-même. (Fig. 24)
7. Fermez complètement le couvercle avant.

ATTENTION :

- Les poussières risqueront de pénétrer dans le moteur si vous oubliez d'installer le sac à poussières ou l'ensemble papier, si vous n'insérez pas ensemble l'écran antipoussières et le sac à poussières ou l'ensemble papier à fond dans les fentes, ou si vous utilisez un sac abîmé ou déchiré. Cela risque de causer une panne du moteur.
- En installant l'ensemble papier, ne pliez pas le carton à l'emplacement de l'ouverture.
- Ne jetez pas l'écran antipoussières, car il doit être réutilisé à chaque utilisation du sac à poussières ou de l'ensemble papier.
- L'ensemble papier de l'aspirateur est un composant important pour maintenir le bon fonctionnement de l'outil. L'outil risque de dégager de la fumée ou de s'enflammer si vous n'utilisez pas un ensemble papier authentique.

OPERATION

ATTENTION :

- Pour connecter des accessoires tels qu'un raccord, les insérer en tournant dans le sens de la flèche pour assurer une connexion sûre pendant l'utilisation. Pour déconnecter l'accessoire, tirer en tournant aussi dans le sens de la flèche. (Fig. 25)

Nettoyage (aspiration)

Raccord (Fig. 26)

Fixer le raccord pour nettoyer les tables, bureaux, meubles, etc. Le raccord se glisse facilement en place.

Raccord + tube prolongateur (tuyau rectiligne) (Fig. 27)

Le tube prolongateur s'installe entre le raccord et l'aspirateur. Il permet de passer l'aspirateur sur le plancher tout en restant debout.

Raccord pour coin (Fig. 28)

Installer le raccord pour coin lorsque l'on passe l'aspirateur dans les coins ou dans les interstices d'un véhicule ou d'un meuble.

Raccord pour coin + tube prolongateur (tuyau rectiligne) (Fig. 29)

Utiliser cette combinaison pour passer l'aspirateur dans les endroits étroits ou dans les endroits élevés difficiles à atteindre.

Nettoyage sans raccord (Fig. 30)

Le raccord n'est pas nécessaire pour collecter de la poudre ou des poussières.

ENTRETIEN

ATTENTION :

- Toujours s'assurer que l'outil est éteint avant d'effectuer son inspection ou son entretien.

Après l'utilisation

NOTE :

- L'aspirateur risque de basculer et de subir des dommages si vous le placez simplement contre un mur sans aucun autre soutien. (Fig. 31)

Nettoyage

Essuyer de temps à autre la surface extérieure (le boîtier) de l'aspirateur à l'aide d'un chiffon humecté dans de l'eau savonneuse. Nettoyer aussi l'ouverture d'aspiration, la zone de montage du sac à poussières ou de l'ensemble papier, et l'écran antipoussières. (Fig. 32)

ATTENTION :

- N'utilisez jamais d'essence, benzine, diluant, alcool ou autre produit similaire. Cela risquerait de provoquer la décoloration, la déformation ou la fissuration de l'outil.

Lavez le sac à poussières dans une eau savonneuse lorsqu'il est bouché par les poussières et que sa puissance d'aspiration devient faible. Le faire sécher parfaitement avant l'utilisation. Si le sac n'est pas bien sec, cela risque d'affecter la puissance d'aspiration et de raccourcir la durée de service du moteur. (Fig. 33)

NOTE :

- L'ensemble papier est de type jetable.

Lorsque le filtre-éponge est bouché par les poussières, le retirer de l'aspirateur et l'essuyer ou le laver dans l'eau.

Retrait et pose du filtre-éponge (Fig. 34 et 35)

Pour retirer le filtre-éponge, retirer d'abord le sac à poussières ou l'ensemble papier, puis pincer le filtre-éponge pour l'enlever.

Presser tout le bord du filtre-éponge contre la paroi encastrée à l'intérieur de la zone de montage du sac à poussières ou de l'ensemble papier.

ATTENTION :

- Après avoir nettoyé le filtre-éponge, ne pas oublier de l'installer sur l'aspirateur. Si on l'a lavé à l'eau, le faire sécher avant de l'installer. La durée de service du moteur risque d'être réduite si le filtre-éponge n'est pas assez sec.

Fixation murale pour aspirateur sans fil

Accessoire en option

NOTE :

- La vis pour fixer le support n'est pas incluse. Prévoyez une vis adaptée au matériau dans lequel vous vissez.

Placez la fixation murale pour aspirateur sans fil sur un mur, une poutre ou une colonne en bois dur, où elle pourra être solidement fixée. Assurez-vous toujours que la fixation murale pour aspirateur sans fil est solidement fixée avant d'accrocher l'aspirateur. (Fig. 36)

ATTENTION :

- N'accrochez pas violemment l'aspirateur à la fixation murale ni n'y accrochez d'autres appareils.

Points à vérifier avant de faire une demande de réparation

| Symptôme | Point à vérifier | Méthode de réparation |
|-------------------------------|---|---|
| Faible puissance d'aspiration | <ul style="list-style-type: none"> Le sac à poussières ou l'ensemble papier est-il plein de poussières ? Le sac à poussières est-il bouché ? L'ensemble papier est-il bouché ? La batterie est-elle déchargée ? | <ul style="list-style-type: none"> Videz le sac à poussières ou l'ensemble papier. Nettoyez ou lavez le sac à poussières. Remplacez l'ensemble papier. Chargez la batterie. |
| Ne fonctionne pas | <ul style="list-style-type: none"> La batterie est-elle déchargée ? | <ul style="list-style-type: none"> Chargez la batterie. |

011566

NOTE :

- Ne pas essayer de réparer l'aspirateur soi-même.

Pour maintenir la SÉCURITÉ et la FIABILITÉ du produit, les réparations, travaux d'entretien et autres réglages doivent être effectués dans un centre de service Makita agréé, exclusivement avec des pièces de rechange Makita.

ACCESSOIRES EN OPTION

ATTENTION :

- Ces accessoires et pièces complémentaires sont recommandés pour l'utilisation avec l'aspirateur Makita spécifié dans le présent manuel. L'utilisation de tout autre accessoire ou pièce peut comporter un risque de blessure. Utiliser uniquement l'accessoire ou la pièce pour le travail pour lequel il a été conçu.

Pour plus d'informations concernant ces accessoires, s'informer auprès du centre de service Makita le plus près.

- Tube prolongateur (tuyau rectiligne)
- Raccord
- Raccord pour tapis
- Brosse pour étagères
- Raccord pour coin
- Brosse ronde
- Boyaux flexibles
- Ensemble papier
- Fixation murale pour aspirateur sans fil
- Collecteur cyclone
- Batterie et chargeur Makita authentiques

NOTE :

- Il se peut que certains éléments de la liste soient compris dans l'emballage de l'outil en tant qu'accessoires standard. Ils peuvent varier d'un pays à l'autre.

Collecteur cyclone (Fig. 37)

À propos du collecteur cyclone

L'utilisation de l'aspirateur avec le collecteur cyclone installé réduit la quantité de poussière qui pénètre dans le sac à poussière, ce qui permet d'éviter que la puissance d'aspiration faiblisse. De plus, le nettoyage après utilisation est également simple.

ATTENTION :

- Assurez-vous toujours que l'outil est hors tension et que sa batterie est retirée avant d'effectuer toute tâche dessus.** Si la batterie est insérée, un démarrage intempestif de l'aspirateur susceptible de provoquer des blessures est possible.
- Nettoyez le filtre à maille du collecteur cyclone et le sac à poussière de l'aspirateur s'ils sont bouchés.** L'utilisation continue dans cet état peut provoquer une émission de chaleur ou de fumée.

REMARQUE :

- Lorsque le collecteur cyclone est fixé, n'utilisez pas l'aspirateur dans le sens horizontal ou tourné vers le haut.** Le filtre à maille pourrait se boucher.
- Utilisez toujours l'aspirateur avec le sac à poussière installé, même lorsque vous utilisez le collecteur cyclone.** Si vous utilisez l'aspirateur sans sac à poussière installé, un dysfonctionnement du moteur peut se produire.

NOTE :

- Vérifiez avant utilisation que le collecteur cyclone, l'aspirateur et le tuyau droit sont correctement verrouillés.
- Videz le logement à poussières du collecteur cyclone et le sac à poussière de l'aspirateur lorsque de la poussière s'est accumulée. Si vous continuez à utiliser l'aspirateur dans cet état, la puissance d'aspiration sera affaiblie.

Mise au rebut des poussières

Lorsque la poussière s'est accumulée jusqu'à la ligne Plein du logement à poussières, procédez comme indiqué ci-dessous et jetez la poussière.

- Tenez fermement le logement à poussières, maintenez enfoncés les deux boutons et retirez le logement à poussières. (Fig. 38)
- Jetez la poussière à l'intérieur du logement à poussières et retirez la poussière ou la poudre collée à la surface du filtre à maille.
- Insérez le logement à poussières à fond jusqu'à ce que les deux boutons se verrouillent en place avec un déclic. (Fig. 39)

NOTE :

- Vérifiez avant de redémarrer que le collecteur cyclone, l'aspirateur et le tuyau droit sont solidement connectés.
- Si la puissance d'aspiration n'est pas rétablie même après avoir jeté la poussière et nettoyé le filtre à maille, vérifiez si la poussière ne s'est pas accumulée dans le sac à poussière de l'aspirateur ou si ce dernier n'est pas bouché.

Nettoyage

Lorsque le logement à poussières est sale ou que le filtre à maille est bouché, retirez-les et lavez-les à l'eau. (Consultez « Mise au rebut des poussières » pour la procédure de retrait.)

Séchez soigneusement les pièces avant de les remettre en place et d'utiliser l'aspirateur. (Fig. 40)

Lorsque le filtre à maille est très sale, nettoyez-le en procédant comme suit.

- Tournez le filtre à maille dans le sens inverse des aiguilles d'une montre et retirez-le alors que les crochets sont déverrouillés. (Fig. 41)

2. Retirez la poussière sur le filtre à maille, puis lavez-le à l'eau. Ensuite, séchez-le soigneusement.
3. Insérez le filtre à maille dans la base avec les crochets alignés sur l'orifice. Tournez le filtre à maille dans le sens des aiguilles d'une montre jusqu'à ce que les crochets se verrouillent en place avec un déclic. Assurez-vous que le filtre à maille est solidement installé. **(Fig. 42)**

WARNUNG

- Dieses Gerät kann von Kindern ab 8 Jahren und Personen mit verminderten körperlichen, sensorischen oder geistigen Fähigkeiten oder Mangel an Erfahrung und Kenntnissen benutzt werden, sofern sie eine Beaufsichtigung oder Anweisung bezüglich des sicheren Gebrauchs des Gerätes erhalten haben und die damit verbundenen Gefahren verstehen.
- Kinder dürfen nicht mit dem Gerät spielen. Reinigung und Benutzerwartung dürfen nicht von Kindern ohne Beaufsichtigung durchgeführt werden.
- Angaben zur Typenbezeichnung des Akkus finden Sie im Kapitel „TECHNISCHE DATEN“.
- Angaben zum Demontage- oder Installationsverfahren des Akkus finden Sie im Abschnitt „Installieren oder Demonstrieren des Akkus“.
- Entfernen Sie den Akku zum Entsorgen vom Werkzeug, und entsorgen Sie ihn an einem sicheren Ort. Befolgen Sie die örtlichen Vorschriften bezüglich der Entsorgung von Akkus.
- Soll das Werkzeug längere Zeit nicht benutzt werden, muss der Akku vom Werkzeug entfernt werden.
- Der Akku darf nicht kurzgeschlossen werden.
- Entsprechende Details der Vorsichtsmaßnahmen während der Benutzerwartung finden Sie im Kapitel „WARTUNG“.

Übersicht

| | | |
|---------------------------------------|--|---|
| 1 Rote Anzeige | 13 Oberseite des Staubsaackanschlags | 24 Schwammfilter |
| 2 Knopf | 14 Unterseite des Staubsaackanschlags | 25 Vertiefte Wand |
| 3 Akku | 15 Führungsnut | 26 Wandhalterung für Akku- Staubsauger |
| 4 Ausschalttaste (OFF) | 16 Staubsaack | 27 Gerades Rohr |
| 5 Drehzahlwahltaste (HIGH/LOW) | 17 Untere Nut | 28 Zyklonaufsatz |
| 6 Akku-Warnleuchte | 18 Staubsaackkammer | 29 Saugeinlass |
| 7 Lampe | 19 Papierbeutel | 30 Voll-Linie |
| 8 Anzeigelampen | 20 Bürste | 31 Staubsammelbehälter |
| 9 Prüftaste | 21 Staubsauger | 32 Knopf (zwei Stellen) |
| 10 Gerätedeckel | 22 Verlängerungsrohr | 33 Netzfilter |
| 11 Frontabdeckungs- Anschlussstück | 23 Spitzdüse | 34 Raste |
| 12 Staubsaackanschlag | | 35 Anschluss |

TECHNISCHE DATEN

| Modell | | DCL142 | DCL182 | DCL182F |
|--------------|------------------|--------------------|------------------|---------|
| Kapazität | mit Staubsaack | 0,50 L | | |
| | mit Papierbeutel | 0,33 L | | |
| Dauerbetrieb | STARK (HIGH) | ca. 20 Min. | | |
| | SCHWACH (LOW) | ca. 40 Min. | | |
| Gesamtlänge | | 986 mm | 1 004 mm | |
| Nettogewicht | | 1,3 - 1,5 kg | 1,3 - 1,6 kg | |
| Nennspannung | | 14,4 V Gleichstrom | 18 V Gleichstrom | |

- Aufgrund unseres Dauerprogramms der Forschung und Entwicklung unterliegen die hier angegebenen technischen Daten Änderung ohne Vorankündigung.
- Die technischen Daten können von Land zu Land unterschiedlich sein.
- Das Gewicht schließt keine Zubehörteile, aber Akkus ein. Das niedrigste und höchste Kombinationsgewicht des Gerätes und der Akkus sind in der Tabelle angegeben.

Zutreffende Akkus und Ladegeräte

| | | |
|-----------|---------------------------|--|
| Akku | 14,4-V-Gleichstrom-Modell | BL1415N / BL1430B / BL1440 / BL1460B |
| | 18-V-Gleichstrom-Modell | BL1815N / BL1820B / BL1830B / BL1840B / BL1850B / BL1860B |
| Ladegerät | | DC18RC / DC18RD / DC18RE / DC18SD / DC18SE / DC18SF / DC18SH |

• Einige der oben aufgelisteten Akkus und Ladegeräte sind je nach Ihrem Wohngebiet eventuell nicht erhältlich.

WARNUNG: Verwenden Sie nur die oben aufgeführten Akkus und Ladegeräte. Bei Verwendung irgendwelcher anderer Akkus und Ladegeräte besteht Verletzungs- und/oder Brandgefahr.

ENE315-1

Symbole

Nachfolgend werden Symbole beschrieben, die für das Gerät verwendet werden können. Machen Sie sich vor der Benutzung mit ihrer Bedeutung vertraut.



- Gebrauchsanleitung lesen.



- Nur für EU-Länder
Aufgrund des Vorhandenseins gefährlicher Komponenten in der Ausrüstung können Elektro- und Elektronik-Altgeräte, Akkumulatoren und Batterien sich negativ auf die Umwelt und die menschliche Gesundheit auswirken. Entsorgen Sie Elektro- und Elektronikgeräte oder Batterien nicht mit dem Hausmüll!
In Übereinstimmung mit der Europäischen Richtlinie über Elektro- und Elektronik-Altgeräte, Akkumulatoren und Batterien, verbrauchte Akkumulatoren und Batterien sowie ihrer Anpassung an nationales Recht sollten Elektro-Altgeräte, Batterien und Akkumulatoren gemäß den Umweltschutzbestimmungen getrennt gelagert und zu einer getrennten Sammelstelle für Siedlungsabfälle geliefert werden. Dies wird durch das am Gerät angebrachte Symbol der durchgestrichenen Abfalltonne auf Rädern angezeigt.

ENE017-1

Vorgesehene Verwendung

Die Maschine ist für das Absaugen von Trockenstaub vorgesehen.

ENA007-2

SICHERHEITSWARNUNGEN FÜR AKKU-STAUBSAUGER

WARNUNG: WICHTIG! Alle Sicherheitswarnungen und Anweisungen VOR GEBRAUCH AUFMERKSAM LESEN. Eine Missachtung der Warnungen und Anweisungen kann zu einem elektrischen Schlag, Brand und/oder schweren Verletzungen führen.

1. Das Gerät keinem Regen aussetzen. In Innenräumen aufbewahren.
2. Das Gerät darf nicht als Spielzeug benutzt werden. Wenn das Gerät von Kindern oder in deren Nähe benutzt wird, ist besondere Vorsicht geboten.
3. Nur gemäß der Beschreibung in dieser Anleitung benutzen. Nur vom Hersteller empfohlene Zusatzvorrichtungen verwenden.
4. Nicht mit beschädigtem Akku benutzen. Falls das Gerät nicht ordnungsgemäß funktioniert, fallen gelassen, beschädigt, im Freien liegen gelassen wurde oder ins Wasser gefallen ist, bringen Sie es zu einem Kundenzentrum.
5. Fassen Sie das Gerät nicht mit nassen Händen an.
6. Stecken Sie keine Gegenstände in die Öffnungen. Benutzen Sie das Gerät nicht mit einer blockierten Öffnung; halten Sie es frei von Staub, Fusseln, Haaren und Fremdkörpern, die den Luftstrom behindern können.
7. Halten Sie Haare, lose Kleidung, Finger und alle Körperteile von den Öffnungen und beweglichen Teilen fern.
8. Schalten Sie sämtliche Bedienelemente aus, bevor Sie den Akku abnehmen.
9. Lassen Sie bei der Reinigung von Treppen besondere Vorsicht walten.
10. Verwenden Sie das Gerät nicht zum Aufsaugen von brennbaren oder feuergefährlichen Flüssigkeiten, wie z. B. Benzin, und benutzen Sie es auch nicht in der Nähe solcher Flüssigkeiten.
11. Verwenden Sie nur das vom Hersteller gelieferte Ladegerät zum Aufladen.
12. Saugen Sie keine brennenden oder rauchenden Gegenstände auf, wie z. B. Zigaretten, Streichhölzer oder heiße Asche.
13. Benutzen Sie das Gerät nicht ohne angebrachten Staubsaug und/oder Filter.
14. Laden Sie den Akku nicht im Freien.
15. Laden Sie den Akku nur mit dem vom Hersteller vorgeschriebenen Ladegerät. Ein Ladegerät, das für einen Akkutyp geeignet ist, kann bei Verwendung mit einem anderen Akku eine Brandgefahr darstellen.
16. Benutzen Sie Elektrowerkzeuge nur mit den ausdrücklich vorgeschriebenen Akkus. Bei Verwendung irgendwelcher anderer Akkus besteht Verletzungs- und Brandgefahr.
17. Bewahren Sie den Akku bei Nichtgebrauch nicht zusammen mit Metallgegenständen, wie Büroklammern, Münzen, Schlüsseln, Nägeln, Schrauben, und anderen kleinen Metallteilen auf, welche die Kontakte kurzschließen können.
18. Bei Missbrauch kann Flüssigkeit aus dem Akku austreten. Vermeiden Sie Kontakt mit dieser Flüssigkeit. Falls Sie versehentlich mit der Flüssigkeit in Berührung kommen, spülen Sie die betroffenen Stellen mit Wasser ab.

19. **Verwenden Sie keinen Akku und auch kein Werkzeug, der (das) beschädigt oder modifiziert ist.** Beschädigte oder modifizierte Akkus können unvorhersehbares Verhalten zeigen, das zu einem Brand, einer Explosion oder Verletzungsgefahr führen kann.
20. **Setzen Sie einen Akku oder ein Werkzeug nicht Feuer oder übermäßigen Temperaturen aus.** Bei Einwirkung von Feuer oder Temperaturen über 130 °C kann es zu einer Explosion kommen.
21. **Befolgen Sie alle Ladeanweisungen, und laden Sie den Akku bzw. das Werkzeug nicht außerhalb des in den Anweisungen angegebenen Temperaturbereichs.** Wird der Ladevorgang unsachgemäß oder bei Temperaturen außerhalb des angegebenen Bereichs durchgeführt, kann es zu einer Beschädigung des Akkus und erhöhter Brandgefahr kommen.

BEWAHREN SIE DIESE ANLEITUNG AUF.

ENB127-1

ZUSÄTZLICHE SICHERHEITSGESETZE

Dieses Gerät ist für Haushaltsgebrauch vorgesehen.

1. **Lesen Sie diese Gebrauchsanleitung und die Gebrauchsanleitung des Ladegerätes vor der Benutzung durch.**
 2. **Unterlassen Sie das Aufsaugen der folgenden Materialien:**
 - Heiße Materialien, wie z. B. brennende Zigaretten oder durch Schleifen/Schneiden von Metall erzeugte Funken/Metallstaub
 - Brennbar Materialien, wie z. B. Benzin, Verdünnern, Benzol, Petroleum oder Lack
 - Explosive Materialien, wie Nitroglycerin
 - Zündfähige Materialien, wie z. B. Aluminium, Zink, Magnesium, Titan, Phosphor oder Celluloid
 - Nassen Schmutz, Wasser, Öl o. Ä.
 - Harte Gegenstände mit scharfen Kanten, wie z. B. Holzspäne, Metalle, Steine, Glas, Nägel, Nadeln oder Rasierklingen
 - Klumpen bildendes Pulver, wie z. B. Zement oder Toner
 - Leitfähiger Staub, wie z. B. Metall- oder Kohlenstaub
 - Feine Partikel, wie z. B. Betonstaub
- Solche Handlungen können einen Brand, Verletzungen und/oder Sachschäden verursachen.
3. **Brechen Sie den Betrieb sofort ab, wenn Sie irgendetwas Ungewöhnliches bemerken.**
 4. **Falls Sie den Staubsauger fallen lassen oder anstoßen, überprüfen Sie ihn vor der Benutzung sorgfältig auf Risse oder Beschädigung.**
 5. **Bringen Sie das Gerät nicht in die Nähe von Öfen oder anderen Wärmequellen.**
 6. **Blockieren Sie nicht die Einlassöffnung oder die Belüftungsöffnungen.**

BEWAHREN SIE DIESE HINWEISE SORGFÄLTIG AUF.

WICHTIGE SICHERHEITSANWEISUNGEN FÜR AKKU

1. **Lesen Sie vor der Benutzung des Akkus alle Anweisungen und Warnhinweise, die an (1) Ladegerät, (2) Akku und (3) Akkuwerkzeug angebracht sind.**
 2. **Unterlassen Sie Zerlegen oder Manipulieren des Akkus.** Es kann sonst zu einem Brand, übermäßiger Hitzeentwicklung oder einer Explosion kommen.
 3. **Falls die Betriebszeit beträchtlich kürzer geworden ist, stellen Sie den Betrieb sofort ein.** Anderenfalls besteht die Gefahr von Überhitzung, möglichen Verbrennungen und sogar einer Explosion.
 4. **Falls Elektrolyt in Ihre Augen gelangt, waschen Sie sie mit sauberem Wasser aus, und begeben Sie sich unverzüglich in ärztliche Behandlung.** Anderenfalls können Sie Ihre Sehkraft verlieren.
 5. **Der Akku darf nicht kurzgeschlossen werden:**
 - (1) Die Kontakte dürfen nicht mit leitfähigem Material berührt werden.
 - (2) Lagern Sie den Akku nicht in einem Behälter zusammen mit anderen Metallgegenständen, wie z. B. Nägel, Münzen usw.
 - (3) Setzen Sie den Akku weder Wasser noch Regen aus.
- Ein Kurzschluss des Akkus verursacht starken Stromfluss, der Überhitzung, mögliche Verbrennungen und einen Defekt zur Folge haben kann.
6. **Lagern und benutzen Sie das Werkzeug und den Akku nicht an Orten, an denen die Temperatur 50°C erreichen oder überschreiten kann.**
 7. **Versuchen Sie niemals, den Akku zu verbrennen, selbst wenn er stark beschädigt oder vollkommen verbraucht ist.** Der Akku kann im Feuer explodieren.
 8. **Unterlassen Sie Nageln, Schneiden, Zerquetschen, Werfen, Fallenlassen des Akkus oder Schlagen des Akkus mit einem harten Gegenstand.** Eine solche Handlung kann zu einem Brand, übermäßiger Hitzeentwicklung oder einer Explosion führen.
 9. **Benutzen Sie keine beschädigten Akkus.**
 10. **Die enthaltenen Lithium-Ionen-Akkus unterliegen den Anforderungen der Gefahrgut-Gesetzgebung.**

Für kommerzielle Transporte, z. B. durch Dritte oder Spediteure, müssen besondere Anforderungen zu Verpackung und Etikettierung beachtet werden. Zur Vorbereitung des zu transportierenden Artikels ist eine Beratung durch einen Experten für Gefahrgut erforderlich. Bitte beachten Sie möglicherweise ausführlichere nationale Vorschriften. Überkleben oder verdecken Sie offene Kontakte, und verpacken Sie den Akku so, dass er sich in der Verpackung nicht umher bewegen kann.
 11. **Entfernen Sie den Akku zum Entsorgen vom Werkzeug, und entsorgen Sie ihn an einem sicheren Ort.** Befolgen Sie die örtlichen Vorschriften bezüglich der Entsorgung von Akkus.
 12. **Verwenden Sie die Akkus nur mit den von Makita angegebenen Produkten.** Das Einsetzen der Akkus in nicht konforme Produkte kann zu einem Brand, übermäßiger Hitzebildung, einer Explosion oder Auslaufen von Elektrolyt führen.

13. Soll das Werkzeug längere Zeit nicht benutzt werden, muss der Akku vom Werkzeug entfernt werden.
14. Bei und nach dem Gebrauch kann der Akku heiß werden, was Verbrennungen oder Niedertemperaturverbrennungen verursachen kann. Beachten Sie die Handhabung von heißen Akkus.
15. Berühren Sie nicht den Anschlusskontakt des Werkzeugs unmittelbar nach dem Gebrauch, da er heiß genug werden kann, um Verbrennungen zu verursachen.
16. Achten Sie darauf, dass sich keine Späne, Staub oder Schmutz in den Anschlusskontakten, Löchern und Nuten des Akkus absetzen. Dies kann zu einer LeistungseinbuÙe oder Betriebsstörung des Werkzeugs oder des Akkus führen.
17. Wenn das Werkzeug den Einsatz in der Nähe einer Hochspannungs-Stromleitung nicht unterstützt, benutzen Sie den Akku nicht in der Nähe einer Hochspannungs-Stromleitung. Dies kann zu einer Funktionsstörung oder Betriebsstörung des Werkzeugs oder des Akkus führen.
18. Halten Sie die Batterie von Kindern fern.

DIESE ANWEISUNGEN AUFBEWAHREN.

VORSICHT:

- Verwenden Sie nur Original-Makita-Akkus. Die Verwendung von Nicht-Original-Makita-Akkus oder von Akkus, die abgeändert worden sind, kann zum Bersten des Akkus und daraus resultierenden Bränden, Personenschäden und Beschädigung führen. Außerdem wird dadurch die Makita-Garantie für das Makita-Werkzeug und -Ladegerät ungültig.

Hinweise zur Aufrechterhaltung der maximalen Akku-Nutzungsdauer

1. Laden Sie den Akku, bevor er vollkommen erschöpft ist. Schalten Sie das Werkzeug stets aus, und laden Sie den Akku, wenn Sie ein Nachlassen der Werkzeugleistung feststellen.
2. Unterlassen Sie erneutes Laden eines voll aufgeladenen Akkus. Überladen führt zu einer Verkürzung der Nutzungsdauer des Akkus.
3. Laden Sie den Akku bei Raumtemperatur zwischen 10 – 40°C. Lassen Sie einen heißen Akku abkühlen, bevor Sie ihn laden.
4. Wenn Sie den Akku nicht benutzen, nehmen Sie ihn vom Werkzeug oder Ladegerät ab.
5. Der Akku muss geladen werden, wenn er lange Zeit (länger als sechs Monate) nicht benutzt wird.

FUNKTIONSBESCHREIBUNG

VORSICHT:

- Vergewissern Sie sich vor der Durchführung von Einstellungen oder Funktionsprüfungen der Maschine stets, dass die Maschine ausgeschaltet und der Akku abgenommen ist.
- Achten Sie beim Einsetzen des Akkus darauf, dass Sie sich nicht die Finger zwischen Staubsauger und Akku klemmen, wie in der Abbildung gezeigt. Einklemmen von Fingern kann Verletzungen verursachen. (Abb. 1)

Anbringen und Abnehmen des Akkus (Abb. 2)

VORSICHT:

- Schalten Sie die Maschine stets aus, bevor Sie den Akku anbringen oder abnehmen.

- Halten Sie Maschine und Akku beim Anbringen oder Abnehmen des Akkus sicher fest. Wenn Sie Maschine und Akku nicht sicher festhalten, können sie Ihnen aus der Hand rutschen, was zu einer Beschädigung der Maschine und des Akkus und zu Körperverletzungen führen kann.

Schieben Sie den Akku zum Abnehmen von der Maschine ab, während Sie den Knopf an der Vorderseite des Akkus drücken.

Zum Einsetzen des Akkus richten Sie die Führungsfeder des Akkus auf die Nut im Werkzeuggehäuse aus und schieben den Akku hinein. Schieben Sie ihn vollständig ein, bis er mit einem hörbaren Klicken einrastet. Falls die rote Anzeige an der Oberseite des Knopfes sichtbar ist, ist der Akku nicht vollständig verriegelt.

VORSICHT:

- Schieben Sie den Akku stets bis zum Anschlag ein, bis die rote Anzeige nicht mehr sichtbar ist. Andernfalls kann er aus der Maschine herausfallen und Sie oder umstehende Personen verletzen.
- Unterlassen Sie Gewaltanwendung beim Anbringen des Akkus. Falls der Akku nicht reibungslos hineingleitet, ist er nicht richtig ausgerichtet.

Akku-Schutzsystem

Der Staubsauger ist mit einem Schutzsystem ausgestattet, das die Stromabgabe automatisch abschaltet, um eine lange Lebensdauer zu gewährleisten.

Der Staubsauger kann sich während des Betriebs abschalten, wenn Staubsauger und/oder Akku in die folgende Situation geraten. Dies wird durch die Aktivierung des Schutzsystems verursacht und ist kein Anzeichen für eine Störung des Staubsaugers.

- Wenn der Staubsauger überlastet wird:
Lassen Sie in diesem Fall den EIN-/AUS-Schalter los, und beseitigen Sie die Ursachen der Überlastung, bevor Sie den EIN-/AUS-Schalter erneut betätigen, um die Maschine wieder einzuschalten.
- Wenn die Akku-Restkapazität niedrig wird:
Laden Sie den Blockakku auf.

Schalterfunktion (Abb. 3)

Drücken Sie zum Einschalten des Staubsaugers einfach die Taste „HIGH/LOW“. Zum Ausschalten drücken Sie die Taste „OFF“. Um die Drehzahl des Staubsaugers zu ändern, drücken Sie die Taste „HIGH/LOW“. Beim ersten Drücken dieser Taste erhalten Sie die hohe Drehzahl, beim zweiten die niedrige Drehzahl. Dann wird mit jedem weiteren Drücken dieser Taste der Zyklus hohe/niedrige Drehzahl abwechselnd wiederholt.

Einschalten der Lampe (Abb. 4)

Nur für Modell DCL182F

VORSICHT:








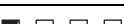
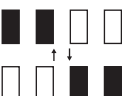
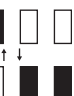
- Blicken Sie auf keinen Fall direkt in das Licht. Der direkte Lichtstrahl verursacht Sehschäden.

Drücken Sie zum Einschalten der Lampe einfach die Taste „HIGH/LOW“. Zum Ausschalten der Lampe drücken Sie die Taste „OFF“.

Anzeigen der Akku-Restkapazität (Abb. 5)

Nur für Akkus mit Anzeige

Drücken Sie die Prüftaste am Akku, um die Akku-Restkapazität anzuzeigen. Die Anzeigelampen leuchten wenige Sekunden lang auf.

| Anzeigelampen | | | Restkapazität |
|--|---|--|---|
|  Erleuchtet |  Aus |  Blinkend | |
|  | | | 75% bis 100% |
|  | | | 50% bis 75% |
|  | | | 25% bis 50% |
|  | | | 0% bis 25% |
|  | | | Den Akku aufladen. |
|  |  | | Möglicherweise liegt eine Funktionsstörung im Akku vor. |

015658

HINWEIS:

- Abhängig von den Benutzungsbedingungen und der Umgebungstemperatur kann die Anzeige geringfügig von der tatsächlichen Kapazität abweichen.

Akku-Warnleuchte (Abb. 3)

- Wenn die Akku-Restkapazität niedrig wird, blinkt die Akku-Warnleuchte.
- Wenn die Akku-Restkapazität erheblich niedriger wird, bleibt die Maschine während des Betriebs stehen, und die Akku-Warnleuchte leuchtet etwa zehn Sekunden lang auf. Nehmen Sie in diesem Fall den Akku von der Maschine ab, und laden Sie ihn auf.

HINWEIS:

- Der Zeitpunkt, zu dem die Akku-Warnleuchte zu blinken oder aufzuleuchten beginnt, hängt von der Temperatur am Arbeitsplatz und dem Zustand des Akkus ab.

MONTAGE

VORSICHT:

- Vergewissern Sie sich vor der Ausführung von Arbeiten an der Maschine stets, dass die Maschine ausgeschaltet und der Akku abgenommen ist.

Staubentleerung

VORSICHT:

- Leeren Sie den Staubsauger, bevor er voll wird oder die Saugleistung nachlässt.
- Entleeren Sie auch unbedingt den Staub im Staubsauger selbst. Anderenfalls kann sich der Schwammfilter zusetzen, oder der Motor kann beschädigt werden.

- Werfen Sie auf keinen Fall den Staubsackanschlag weg, weil er bei jedem Einsetzen des Staubsacks oder Papierbeutels benötigt wird.

- Drücken Sie den Knopf, um die Frontabdeckung zu öffnen. Wird die Abdeckung geöffnet, bis ein Klicken hörbar ist, rastet sie an dieser Position ein. **(Abb. 6)**

HINWEIS:

- Der Staubsauger ist so konstruiert, dass sich die Frontabdeckung löst, wenn versucht wird, die Frontabdeckung weiter als 90° zu öffnen. Falls sich die Frontabdeckung löst, schieben Sie sie wieder auf das Frontabdeckungs-Anschlussstück. **(Abb. 7)**

VORSICHT:

- Achten Sie beim Schließen der Frontabdeckung darauf, dass Sie sich nicht die Finger klemmen.
- Ziehen Sie den orangefarbenen Staubsackanschlag und den Staubsack gleichzeitig heraus. **(Abb. 8)**
 - Entfernen Sie den Staubsackanschlag, und leeren Sie den Staubsauger. **(Abb. 9 u. 10)**

Staubsack und Papierbeutel

Setzen Sie vor der Benutzung des Staubsaugers entweder den Staubsack oder einen Papierbeutel ein.

Verwenden Sie den Staubsackanschlag sowohl für den Staubsack als auch für den Papierbeutel.

Der Staubsack kann durch Entleeren viele Male wieder verwendet werden.

Der Papierbeutel ist ein Wegwerfartikel. Werfen Sie den ganzen Papierbeutel weg, ohne ihn zu entleeren, wenn er voll geworden ist.

Einsetzen des Staubsacks

Verwenden Sie den Staubsackanschlag zum Einsetzen des Staubsacks. Achten Sie darauf, dass Sie nicht versehentlich die Oberseite mit der Unterseite verwechseln, weil sie unterschiedlich sind. **(Abb. 11)**

- Führen Sie den Vorsprung des Staubsacks in die Führungsnut des Staubsackenschlags ein, wie in der Abbildung gezeigt. **(Abb. 12)**
- Es gibt keinen Unterschied zwischen der Ober- und Unterseite des Staubsacks. Der Vorsprung beider Seiten kann in die untere Nut des Staubsackenschlags eingeführt werden. **(Abb. 13)**
- Der Rahmen des Staubsackenschlags muss sich mit dem des Staubsacks decken. **(Abb. 14)**
- Setzen Sie den Staubsack zusammen mit dem Staubsackanschlag in der Richtung des Pfeils auf dem Staubsackanschlag in die Staubsackkammer ein. Führen Sie die Teile vollständig in die Schlitze der Staubsackkammer ein. **(Abb. 15)**
- Bringen Sie den gesamten Stoffteil des Staubsacks ins Gerät selbst unter. **(Abb. 16)**
- Schließen Sie die Frontabdeckung vollständig. **(Abb. 17)**

Einsetzen des Papierbeutels

- Falten Sie den Einlass des Papierbeutels auf, bevor Sie ihn am Staubsackanschlag anbringen. **(Abb. 18)** Verwenden Sie den Staubsackanschlag auch zum Einsetzen des Papierbeutels. Achten Sie darauf, dass Sie nicht versehentlich die Oberseite mit der Unterseite verwechseln, weil sie unterschiedlich sind. **(Abb. 19)**
- Führen Sie den Vorsprung des Papierbeutels in die Führungsnut des Staubsackenschlags ein, wie in der Abbildung gezeigt. **(Abb. 20)**

3. Es gibt keinen Unterschied zwischen der Ober- und Unterseite des Papierbeutels. Der Vorsprung beider Seiten kann in die untere Nut des Staubsackanschlags eingeführt werden. **(Abb. 21)**
4. Der Rahmen des Staubsackanschlags muss sich mit dem des Papierbeutels decken. **(Abb. 22)**
5. Setzen Sie den Papierbeutel zusammen mit dem Staubsackanschlag in der Richtung des Pfeils auf dem Staubsackanschlag in die Staubsackkammer ein. Führen Sie die Teile vollständig in die Schlitzle der Staubsackkammer ein. **(Abb. 23)**
6. Bringen Sie den gesamten Beutelteil des Papierbeutels im Gerät selbst unter. **(Abb. 24)**
7. Schließen Sie die Frontabdeckung vollständig.

VORSICHT:

- Falls Sie keinen Staubsack oder Papierbeutel einsetzen, oder den Staubsackanschlag nicht zusammen mit dem Staubsack oder Papierbeutel vollständig in die Schlitzle einführen, oder einen beschädigten oder zerrissenen Sack oder Beutel benutzen, kann Staub in den Motor eindringen. Dies kann zu einem Ausfall des Motors führen.
- Unterlassen Sie Falten des Kartons an der Öffnung des Papierbeutels, wenn Sie diesen einsetzen.
- Werfen Sie auf keinen Fall den Staubsackanschlag weg, weil er zum Einsetzen des Staubsacks oder Papierbeutels wiederholt benutzt werden muss.
- Der Papierbeutel für den Staubsauger ist ein wichtiger Teil zur Aufrechterhaltung der Maschinenleistung. Wird ein anderer Beutel als der Original-Papierbeutel verwendet, kann es zu Rauchbildung oder Entzündung kommen.

BETRIEB

VORSICHT:

- Um Vorrichtungen, wie z. B. eine Bürste, anzuschließen, führen Sie die Vorrichtung unter gleichzeitigem Drehen in Pfeilrichtung ein, um einwandfreie Verbindung während des Gebrauchs zu gewährleisten. Um die Vorrichtung abzutrennen, ziehen Sie sie unter gleichzeitigem Drehen in Pfeilrichtung ab. **(Abb. 25)**

Reinigen (Saugen)

Bürste (Abb. 26)

Bringen Sie die Bürste an, um Tische, Pulte, Möbelstücke usw. abzusaugen. Die Bürste lässt sich leicht aufstecken.

Bürste + Verlängerungsrohr (Gerades Rohr) (Abb. 27)

Das Verlängerungsrohr wird zwischen Bürste und Staubsauger angebracht. Diese Anordnung ist praktisch, um den Fußboden im Stehen zu saugen.

Spitzdüse (Abb. 28)

Bringen Sie die Spitzdüse an, um die Ecken und Ritzen eines Autos oder Möbelstücks zu reinigen.

Spitzdüse + Verlängerungsrohr (Gerades Rohr) (Abb. 29)

Benutzen Sie diese Anordnung in engen Zwischenräumen, in die der Staubsauger selbst nicht hineinpasst, oder an schwer erreichbaren hohen Orten.

Staubsaugen ohne Düse (Abb. 30)

Sie können Pulver und Staub ohne Düse aufsaugen.

WARTUNG

VORSICHT:

- Denken Sie vor der Durchführung von Überprüfungen oder Wartungsarbeiten stets daran, der Maschine auszusuchen.

Nach der Benutzung

HINWEIS:

- Wird der Staubsauger ohne irgend eine Stütze gegen eine Wand gelehnt, kann er umkippen und beschädigt werden. **(Abb. 31)**

Reinigen

Wischen Sie die Außenseite (Gehäuse) des Staubsaugers von Zeit zu Zeit mit einem mit Seifenwasser getränkten Tuch ab. Reinigen Sie auch die Saugöffnung, den Staubsack/Papierbeutel-Montagebereich und den Staubsackanschlag. **(Abb. 32)**

VORSICHT:

- Verwenden Sie auf keinen Fall Benzin, Benzol, Verdünnern, Alkohol oder dergleichen. Solche Mittel können Verfärbung, Verformung oder Rissbildung verursachen.

Waschen Sie den Staubsack in Seifenwasser aus, wenn er mit Staub zugesetzt ist und die Saugleistung nachlässt. Lassen Sie ihn vor der Benutzung gründlich trocknen. Ein noch feuchter Staubsack kann schlechte Saugleistung verursachen und die Lebensdauer des Motors verkürzen. **(Abb. 33)**

HINWEIS:

- Der Papierbeutel ist ein Wegwerfartikel.

Wenn der Schwammfilter mit Staub zugesetzt ist, nehmen Sie ihn aus dem Staubsauger heraus, und wischen Sie ihn ab, oder waschen Sie ihn in Wasser aus.

Herausnehmen und Einsetzen des

Schwammfilters (Abb. 34 u. 35)

Entfernen Sie den Schwammfilter durch Zusammendrücken und Herausnehmen, nachdem Sie den Staubsack bzw. den Papierbeutel herausgenommen haben.

Drücken Sie die ganze Kante des Schwammfilters gegen die vertiefte Wand im Staubsack/Papierbeutel-Montagebereich.

VORSICHT:

- Denken Sie daran, den Schwammfilter nach dem Reinigen wieder in den Staubsauger einzusetzen. Wenn er in Wasser ausgewaschen wurde, lassen Sie ihn vor dem Einsetzen trocknen. Ein noch feuchter Schwammfilter kann die Lebensdauer des Motors verkürzen.

Wandhalterung für Akku-Staubsauger

Sonderzubehör

HINWEIS:

- Die Schraube für die Montage des Halters ist nicht im Lieferumfang enthalten. Besorgen Sie eine für das Einschraubmaterial passende Schraube.

Befestigen Sie die Wandhalterung für Akku-Staubsauger an einer festen Wand, einem Träger oder einer Säule aus Holz, an der die Wandhalterung für Akku-Staubsauger einwandfrei gesichert werden kann. Vergewissern Sie sich vor dem Aufhängen des Staubsaugers immer, dass die Wandhalterung für Akku-Staubsauger sicher befestigt ist. **(Abb. 36)**

VORSICHT:

- **Unterlassen Sie gewaltsames Aufhängen des Staubsaugers an der Wandhalterung oder Aufhängen anderer Geräte außer dem Staubsauger.**

Prüfpunkte vor einer Reparaturanforderung

| Symptom | Prüfbereich | Abhilfeverfahren |
|--------------------------|---|--|
| Schwache Saugkraft | <ul style="list-style-type: none">• Ist der Staubsack oder der Papierbeutel voll Staub?• Ist der Staubsack verstopft?• Ist der Papierbeutel verstopft?• Ist der Akku entladen? | <ul style="list-style-type: none">• Staubsack oder Papierbeutel leeren.• Den Staubsack abstauben oder waschen.• Den Papierbeutel austauschen.• Den Akku aufladen. |
| Gerät funktioniert nicht | <ul style="list-style-type: none">• Ist der Akku entladen? | <ul style="list-style-type: none">• Den Akku aufladen. |

011566

HINWEIS:

- Versuchen Sie nicht, den Staubsauger selbst zu reparieren.

Um die SICHERHEIT und ZUVERLÄSSIGKEIT dieses Produkts zu gewährleisten, sollten Reparaturen und andere Wartungs- oder Einstellarbeiten nur von autorisierten Makita-Kundendienstzentren unter ausschließlicher Verwendung von Makita-Originalersatzteilen ausgeführt werden.

SONDERZUBEHÖR

VORSICHT:

- Die folgenden Zubehörteile oder Vorrichtungen werden für den Einsatz mit dem in dieser Anleitung beschriebenen Makita-Staubsauger empfohlen. Die Verwendung anderer Zubehörteile oder Vorrichtungen kann eine Verletzungsgefahr darstellen. Verwenden Sie Zubehörteile oder Vorrichtungen nur für ihren vorgesehenen Zweck.

Wenn Sie weitere Einzelheiten bezüglich dieser Zubehörteile benötigen, wenden Sie sich bitte an Ihre Makita-Kundendienststelle.

- Verlängerungsrohr (Gerades Rohr)
- Bürste
- Düse für Teppich
- Regalbürste
- Spitzdüse
- Rundbürste
- Flexibler Schlauch
- Papierbeutel
- Wandhalterung für Akku-Staubsauger
- Zyklaufsatz
- Original-Makita-Akku und -Ladegerät

HINWEIS:

- Manche Teile in der Liste können als Standardzubehör im Werkzeugsatz enthalten sein. Sie können von Land zu Land unterschiedlich sein.

Zyklaufsatz (Abb. 37)

Info zum Zyklaufsatz

Wird der Staubsauger mit installiertem Zyklaufsatz verwendet, so wird die Staubmenge, die in den Staubsack gelangt, reduziert, was dazu beiträgt, eine Abschwächung der Saugkraft zu verhindern. Außerdem wird die Reinigung nach dem Gebrauch ebenfalls vereinfacht.

VORSICHT:

- **Vergewissern Sie sich vor der Ausführung von Arbeiten am Werkzeug stets, dass das Werkzeug ausgeschaltet und der Akku abgenommen ist.** Wird der Akku eingesetzt gelassen, kann der Staubsauger unerwartet anlaufen, was zu Verletzungen führen kann.
- **Reinigen Sie den Netzfilter des Zyklaufsatzes und den Staubsack der Staubsaugereinheit, wenn sie verstopft werden.** Fortgesetzter Gebrauch im verstopften Zustand kann zu Erhitzung oder Rauchbildung führen.

ANMERKUNG:

- **Verwenden Sie den Staubsauger bei angebrachtem Zyklaufsatz nicht im horizontalen oder nach oben gerichteten Zustand.** Anderenfalls kann der Netzfilter verstopft werden.
- **Benutzen Sie den Staubsauger selbst bei Verwendung des Zyklaufsatzes immer mit installiertem Staubsack.** Wird der Staubsauger ohne den Staubsack benutzt, kann es zu einer Funktionsstörung des Motors kommen.

HINWEIS:

- Stellen Sie vor Gebrauch sicher, dass Zyklaufsatz, Staubsauger und gerades Rohr einwandfrei verriegelt sind.
- Entleeren Sie den Staubsammelbehälter des Zyklaufsatzes und den Staubsack des Staubsaugers, wenn Staub sich angesammelt hat. Fortgesetzter Gebrauch führt zu einer Abschwächung der Saugkraft.

Staubentleerung

Wenn Staub sich bis zur Voll-Linie des Staubsammelbehälters angesammelt hat, entsorgen Sie den Staub nach dem folgenden Verfahren.

1. Halten Sie den Staubsammelbehälter mit festem Griff, während Sie die zwei Knöpfe gedrückt halten, und entfernen Sie den Staubsammelbehälter. (**Abb. 38**)
2. Entsorgen Sie den Staub im Staubsammelbehälter, und entfernen Sie jeglichen an der Oberfläche des Netzfilters haftenden Staub und Pulver.
3. Führen Sie den Staubsammelbehälter vollständig ein, bis die zwei Knöpfe mit einem Klicken einrasten. (**Abb. 39**)

HINWEIS:

- Stellen Sie vor dem erneuten Starten des Betriebs sicher, dass Zyklaufsatz, Staubsauger und gerades Rohr alle fest verbunden sind.

- Falls die Saugkraft selbst nach der Entsorgung des Staubs und der Reinigung des Netzfilters nicht wiederhergestellt wird, prüfen Sie, ob Staub sich im Staub-sack des Staubsaugers angesammelt hat, oder ob eine Verstopfung aufgetreten ist.

Reinigen

Wenn der Staubsammelbehälter schmutzig wird oder der Netzfilter verstopft ist, entfernen Sie die Teile, und waschen Sie sie mit Wasser. (Angaben zum Demontageverfahren finden Sie unter „Staubentleerung“.)

Lassen Sie die Teile gründlich trocknen, bevor Sie sie wieder installieren und benutzen. **(Abb. 40)**

Wenn der Netzfilter stark verschmutzt wird, reinigen Sie ihn nach den folgenden Verfahren.

1. Drehen Sie den Netzfilter entgegen dem Uhrzeigersinn, und entfernen Sie ihn bei entriegelten Rasten. **(Abb. 41)**
2. Entfernen Sie den Staub am Netzfilter, und waschen Sie ihn dann mit Wasser. Lassen Sie ihn danach gründlich trocknen.
3. Führen Sie den Netzfilter in die Basis ein, während die Rasten auf den Anschluss ausgerichtet sind. Drehen Sie den Netzfilter im Uhrzeigersinn, bis die Rasten mit einem Klicken einrasten. Vergewissern Sie sich, dass der Netzfilter sicher installiert ist. **(Abb. 42)**

AVVERTENZA

- Questo elettrodomestico può venire utilizzato dai bambini dagli 8 anni in su, nonché da persone con capacità fisiche, sensoriali o mentali ridotte, o prive di esperienza o preparazione, qualora vengano fornite loro supervisione o istruzioni relative all'utilizzo in sicurezza dell'elettrodomestico e comprendano i pericoli che comporta.
- I bambini non devono giocare con l'elettrodomestico. La pulizia e la manutenzione da parte dell'utente non devono essere effettuate dai bambini senza supervisione.
- Per il riferimento sul tipo di batteria, vedere il capitolo "DATI TECNICI".
- Per istruzioni su come rimuovere o installare la batteria, vedere la sezione "Installazione o rimozione della cartuccia della batteria".
- Quando si intende smaltire la cartuccia della batteria, rimuoverla dall'utensile e smaltirla in un luogo sicuro. Attenersi alle normative locali relative allo smaltimento della batteria.
- Se l'utensile non viene utilizzato per un periodo di tempo prolungato, la batteria deve essere rimossa dall'utensile.
- Non cortocircuitare la cartuccia della batteria.
- Per i dettagli appropriati relativi alle precauzioni durante la manutenzione da parte dell'utente, vedere il capitolo "MANUTENZIONE".

Visione generale

| | | |
|-------------------------------|---------------------------------|--|
| 1 Indicatore rosso | 13 Lato superiore fermo polvere | 25 Parete incavata |
| 2 Bottone | 14 Lato inferiore fermo polvere | 26 Supporto a muro per aspiratore a batteria |
| 3 Batteria | 15 Scanalatura | 27 Tubo diritto |
| 4 Pulsante OFF | 16 Sacchetto polvere | 28 Accessorio ciclonico |
| 5 Pulsante HIGH/LOW | 17 Scanalatura inferiore | 29 Presa di aspirazione |
| 6 Spia batteria | 18 Cavità aspiratore | 30 Linea di riempimento |
| 7 Lampada | 19 Pacco carta | 31 Contenitore polveri |
| 8 Spie | 20 Bocchetta | 32 Pulsante (in due ubicazioni) |
| 9 Bottone di controllo | 21 Aspiratore | 33 Filtro a rete |
| 10 Coperchio anteriore | 22 Prolunga | 34 Gancio |
| 11 Giunto coperchio anteriore | 23 Accessorio per fessure | 35 Apertura |
| 12 Fermo polvere | 24 Filtro spugna | |

DATI TECNICI

| Modello | | DCL142 | DCL182 | DCL182F |
|-------------------|-----------------------|---------------|--------------|---------|
| Capacità | con sacchetto polvere | 0,50 L | | |
| | con pacco carta | 0,33 L | | |
| Utilizzo continuo | HIGH | 20 min. circa | | |
| | LOW | 40 min. circa | | |
| Lunghezza totale | | 986 mm | 1.004 mm | |
| Peso netto | | 1,3 - 1,5 kg | 1,3 - 1,6 kg | |
| Tensione nominale | | C.c. 14,4 V | C.c. 18 V | |

- Per il nostro continuo programma di ricerca e sviluppo, queste specifiche sono soggette a modifiche senza avviso.
- I dati tecnici possono variare da nazione a nazione.
- Il peso non comprende gli accessori ma comprende la cartuccia della batteria o le cartucce delle batterie. Nella tabella sono indicati il peso combinato minimo e massimo dell'apparecchio insieme alla cartuccia della batteria o alle cartucce delle batterie.

Cartuccia della batteria e caricatterie applicabili

| | | |
|--------------------------|--|---|
| Cartuccia della batteria | Modello da 14,4 V C.C. | BL1415N / BL1430B / BL1440 / BL1460B |
| | Modello da 18 V C.C. | BL1815N / BL1820B / BL1830B / BL1840B / BL1850B / BL1860B |
| Caricatterie | DC18RC / DC18RD / DC18RE / DC18SD / DC18SE / DC18SF / DC18SH | |

- Alcune cartucce delle batterie e alcuni caricatterie elencati sopra potrebbero non essere disponibili a seconda della propria area geografica di residenza.

AVVERTIMENTO: Utilizzare solo le cartucce delle batterie e i caricabatterie elencati sopra. L'utilizzo di altre cartucce delle batterie e di altri caricabatterie potrebbe causare lesioni personali e/o un incendio.

END315-1

Simboli

Le figure seguenti mostrano i simboli utilizzati per l'apparecchio. Accertarsi di aver capito il loro significato prima dell'uso.



- Leggere il manuale di istruzioni.



- Solo per le nazioni dell'EU

A causa della presenza di componenti pericolosi nelle apparecchiature, i rifiuti di apparecchiature elettriche ed elettroniche (RAEE), sugli accumulatori e le batterie, nonché sui rifiuti di apparecchiature elettriche ed elettroniche, batterie e accumulatori vanno conservati separatamente e conferiti a un punto di raccolta separato per i rifiuti comunali, operando in conformità alle normative per la protezione dell'ambiente.

Non smaltire elettrodomestici elettrici ed elettronici o batterie insieme ai rifiuti domestici!

In conformità alla direttiva europea sui rifiuti di apparecchiature elettriche ed elettroniche (RAEE), sugli accumulatori e le batterie, nonché sui rifiuti di apparecchiature elettriche ed elettroniche, batterie e accumulatori vanno conservati separatamente e conferiti a un punto di raccolta separato per i rifiuti comunali, operando in conformità alle normative per la protezione dell'ambiente.

Tale requisito viene indicato mediante il simbolo del bidone della spazzatura con ruote barrato apposto sull'apparecchio.

ENE017-1

Utilizzo prefissato

Questo utensile è progettato per la raccolta della polvere.

ENA007-2

AVVERTENZE RELATIVE ALLA SICUREZZA DELL'ASPIRATORE A BATTERIA

AVVERTIMENTO: IMPORTANTE! LEGGERE CON ATTENZIONE tutte le avvertenze di sicurezza e tutte le istruzioni PRIMA DELL'USO. La mancata osservanza delle avvertenze e delle istruzioni potrebbe risultare in scosse elettriche, incendi e/o gravi lesioni personali.

1. **Non esporlo alla pioggia. Conservarlo al chiuso.**
2. **Non consentirne l'utilizzo come giocattolo.** Qualora venga utilizzato da o in prossimità di bambini, è necessaria una stretta sorveglianza.
3. **Utilizzarlo esclusivamente nelle modalità descritte nel presente manuale. Utilizzare esclusivamente gli accessori consigliati dal produttore.**
4. **Non utilizzarlo con una batteria danneggiata.** Qualora l'elettrodomestico non funzioni come previsto, sia caduto, si sia danneggiato, sia rimasto all'aperto o sia caduto in acqua, portarlo a un centro di assistenza.

5. **Non maneggiare l'elettrodomestico con le mani bagnate.**
6. **Non inserire alcun oggetto nelle aperture. Non utilizzarlo con alcuna apertura ostruita; tenerlo libero da polvere, lanugine, capelli e qualsiasi cosa possa ridurre il flusso dell'aria.**
7. **Tenere i capelli, gli indumenti abbondanti, le dita e tutte le parti del corpo lontani dalle aperture e dalle parti mobili.**
8. **Disattivare tutti i controlli prima di rimuovere la batteria.**
9. **Fare particolarmente attenzione durante la pulizia delle scale.**
10. **Non utilizzarlo per aspirare sostanze infiammabili o combustibili, ad esempio la benzina, o in ubicazioni in cui potrebbero essere presenti.**
11. **Per la ricarica, utilizzare esclusivamente il caricabatterie fornito dal produttore.**
12. **Non aspirare oggetti che brucino o emettano fumo, quali sigarette, fiammiferi o ceneri calde.**
13. **Non utilizzarlo senza il sacchetto polveri e/o i filtri installati.**
14. **Non caricare la batteria all'aperto.**
15. **Ricaricarla esclusivamente con il caricabatterie specificato dal produttore.** Un caricabatterie idoneo a un tipo di batteria potrebbe creare un rischio di incendio, laddove venga utilizzato con una batteria di tipo diverso.
16. **Utilizzare gli utensili elettrici solo con le batterie specificamente designate.** L'utilizzo di qualsiasi altra batteria potrebbe comportare il rischio di lesioni personali o incendi.
17. **Quando la batteria non è in uso, tenerla lontana da oggetti metallici, quali graffette, monete, chiavi, chiodi, viti o altri piccoli oggetti metallici, che possono creare un contatto da un terminale all'altro.**
18. **In condizioni di uso improprio, dalla batteria potrebbe venire espulso del liquido; evitare il contatto con tale liquido. In caso di contatto accidentale con il liquido, lavare abbondantemente con acqua.**
19. **Non utilizzare una batteria o un utensile che siano danneggiati o che siano stati modificati.** Batterie danneggiate o modificate potrebbero mostrare un comportamento imprevedibile che può risultare in incendi, esplosioni o nel rischio di lesioni personali.
20. **Non esporre una batteria o un utensile al fuoco o a temperature eccessive.** L'esposizione al fuoco o a temperature superiori ai 130 °C potrebbe causare un'esplosione.
21. **Attenersi a tutte le istruzioni relative alla carica e non caricare la batteria o l'utensile al di fuori della gamma di temperature specificata nelle istruzioni.** Una carica inappropriata o a temperature al di fuori della gamma specificata potrebbe danneggiare la batteria e incrementare il rischio di incendio.

CONSERVARE LE PRESENTI ISTRUZIONI.

REGOLE ADDIZIONALI PER LA SICUREZZA

Questo elettrodomestico è progettato per l'utilizzo domestico.

1. Leggere attentamente questo manuale di istruzioni e il manuale di istruzioni del caricatore prima dell'uso.
2. Non raccogliere i materiali seguenti:
 - Materiali caldi, come le sigarette accese e/o scintille/polvere sprigionate dalla smerigliatura/taglio del metallo
 - Materiali infiammabili, come benzina, solventi, benzene, cherosene o vernici
 - Materiali esplosivi come nitroglicerina
 - Materiali infiammabili, come alluminio, zinco, magnesio, titanio, fosforo o celluloido
 - Sporco bagnato, acqua, olio e simili
 - Pezzi duri con estremità affilate, come schegge di legno, metallo, pietra, vetro, chiodi, puntine o rasoi
 - Polveri da ostruire, come cemento o colorante
 - Polvere conduttiva, come quella di metallo o carbone
 - Particelle fini, come la polvere del cemento
 Tale azionamento potrebbe causare un incendio, lesioni e/o danni materiali.
3. Smettere immediatamente l'uso se si nota qualcosa di anormale.
4. Se si fa cadere o si sbatte l'aspiratore, controllare attentamente se ci sono crepe o danni prima di usarlo.
5. Non avvicinarlo a stufe o altre sorgenti di calore.
6. Non bloccare il foro di aspirazione o i fori di ventilazione.

CONSERVARE QUESTE ISTRUZIONI.

ENC007-16

ISTRUZIONI DI SICUREZZA IMPORTANTI PER LA CARTUCCIA DELLA BATTERIA

1. Prima di utilizzare la cartuccia della batteria, leggere tutte le istruzioni e le avvertenze riportate (1) sul caricabatteria, (2) sulla batteria e (3) sul prodotto che utilizza la batteria.
2. Non smantellare né manomettere la cartuccia della batteria. In caso contrario, si potrebbe causare un incendio, calore eccessivo o un'esplosione.
3. Qualora il tempo di utilizzo si riduca eccessivamente, interrompere immediatamente l'utilizzo dell'utensile. In caso contrario, si può incorrere nel rischio di surriscaldamento, possibili ustioni e persino un'esplosione.
4. Qualora l'elettrolita entri in contatto con gli occhi, sciacquarli con acqua pulita e richiedere immediatamente assistenza medica. Questa eventualità può risultare nella perdita della vista.
5. Non cortocircuitare la cartuccia della batteria:
 - (1) Non toccare i terminali con alcun materiale conduttivo.
 - (2) Evitare di conservare la cartuccia della batteria in un contenitore insieme ad altri oggetti metallici quali chiodi, monete, e così via.
 - (3) Non esporre la cartuccia della batteria all'acqua o alla pioggia.

Un cortocircuito della batteria può causare un grande flusso di corrente, un surriscaldamento, possibili ustioni e persino un guasto.

6. Non conservare e utilizzare l'utensile e la cartuccia della batteria in ubicazioni in cui la temperatura possa raggiungere o superare i 50°C.
7. Non incenerire la cartuccia della batteria anche qualora sia gravemente danneggiata o completamente esaurita. La cartuccia della batteria può esplodere se a contatto con il fuoco.
8. Non inchiodare, tagliare, schiacciare, lanciare o far cadere la cartuccia della batteria, né farla urtare con forza contro un oggetto duro. Questi comportamenti potrebbero risultare in un incendio, calore eccessivo o un'esplosione.
9. Non utilizzare una batteria danneggiata.
10. Le batterie a ioni di litio contenute sono soggette ai requisiti del regolamento sul trasporto di merci pericolose (Dangerous Goods Legislation).
Per trasporti commerciali, ad esempio da parte di terzi o spedizionieri, è necessario osservare dei requisiti speciali sull'imballaggio e sull'etichetta. Per la preparazione dell'articolo da spedire, è richiesta la consulenza di un esperto in materiali pericolosi. Attenersi anche alle normative nazionali, che potrebbero essere più dettagliate.
Nastrare o coprire i contatti aperti e imballare la batteria in modo tale che non si possa muovere liberamente all'interno dell'imballaggio.
11. Quando si intende smaltire la cartuccia della batteria, rimuoverla dall'utensile e smaltirla in un luogo sicuro. Attenersi alle normative locali relative allo smaltimento della batteria.
12. Utilizzare le batterie esclusivamente con i prodotti specificati da Makita. L'installazione delle batterie in prodotti non compatibili potrebbe risultare in incendi, calore eccessivo, esplosioni o perdite di liquido elettrolitico.
13. Se l'utensile non viene utilizzato per un periodo di tempo prolungato, la batteria deve essere rimossa dall'utensile.
14. Durante e dopo l'uso, la cartuccia della batteria potrebbe assorbire calore, che può causare ustioni o ustioni a bassa temperatura. Fare attenzione a come si maneggiano le cartucce delle batterie estremamente calde.
15. Non toccare i terminali dell'utensile subito dopo l'uso, in quanto potrebbero diventare estremamente caldi al punto da causare ustioni.
16. Evitare di far incastrare schegge, polveri o terreno nei terminali, nei fori e nelle scanalature della cartuccia della batteria. In caso contrario, si potrebbero causare prestazioni scadenti o la rottura dell'utensile o della cartuccia della batteria.
17. A meno che l'utensile supporti l'uso in prossimità di linee elettriche ad alta tensione, non utilizzare la cartuccia della batteria in prossimità di linee elettriche ad alta tensione. In caso contrario, si potrebbe causare un malfunzionamento o la rottura dell'utensile o della cartuccia della batteria.
18. Tenere la batteria lontana dai bambini.

CONSERVARE LE PRESENTI ISTRUZIONI.

ATTENZIONE:

- **Utilizzare solo batterie originali Makita.** L'utilizzo di batterie Makita non originali, o di batterie che siano state alterate, potrebbe risultare nello scoppio della batteria, causando incendi, lesioni personali e danni. Inoltre, ciò potrebbe invalidare la garanzia Makita per l'utensile e il caricabatterie Makita.

Suggerimenti per preservare la durata massima della batteria

1. **Caricare la cartuccia della batteria prima che si scarichi completamente. Smettere sempre di utilizzare l'utensile e caricare la cartuccia della batteria quando si nota che la potenza dell'utensile è diminuita.**
2. **Non ricaricare mai una cartuccia della batteria completamente carica. La sovraccarica riduce la vita utile della batteria.**
3. **Caricare la cartuccia della batteria a una temperatura ambiente compresa tra 10°C e 40°C. Lasciar raffreddare una cartuccia della batteria prima di caricarla.**
4. **Quando non si utilizza la cartuccia della batteria, rimuoverla dall'utensile o dal caricabatterie.**
5. **Caricare la cartuccia della batteria se non la si è utilizzata per un periodo di tempo prolungato (più di sei mesi).**

DESCRIZIONE FUNZIONALE

ATTENZIONE:

- Accertarsi sempre che l'utensile sia spento e che la batteria sia stata rimossa prima di regolare o di controllare il funzionamento dell'utensile.
- Montando la batteria, fare attenzione che le dita non rimangano incastrate tra l'aspiratore e la batteria, come mostrato nella illustrazione. C'è pericolo di lesioni se le dita rimangono incastrate. (Fig. 1)

Installazione o rimozione della batteria (Fig. 2)

ATTENZIONE:

- Spegnerne sempre l'utensile prima di inserire o di rimuovere la cartuccia batteria.
- **Tenere saldamente l'utensile e la batteria quando si installa o si rimuove la batteria.** Se non si tengono saldamente l'utensile e la batteria, potrebbero sfuggire di mano con conseguente danno dell'utensile e della batteria e un incidente.

Per rimuovere la cartuccia batteria, ritirarla dall'utensile spingendo il bottone sulla parte anteriore della cartuccia batteria.

Per installare la cartuccia batteria, allineare l'appendice sulla cartuccia batteria con la scanalatura dell'alloggiamento e inserirla in posizione. Inserirla completamente finché si blocca in posizione con uno piccolo scatto. Se si vede l'indicatore rosso sulla parte superiore del bottone, vuol dire che non è bloccata completamente.

ATTENZIONE:

- Installare sempre completamente la batteria finché l'indicatore rosso non è più visibile. In caso contrario, potrebbe cadere dall'utensile con pericolo di ferite per l'operatore o per chi gli è vicino.
- Non installare forzatamente la batteria. Se la cartuccia batteria non entra facilmente, vuol dire che non viene inserita correttamente.

Sistema di protezione della batteria

Questo aspiratore è dotato di un sistema di protezione che interrompe automaticamente la corrente per garantirne la lunga vita di servizio.

L'aspiratore potrebbe arrestarsi durante il funzionamento se esso e/o la batteria vengono a trovarsi nella condizione seguente. Ciò è causato dall'attivazione del sistema di protezione e non denota un guasto dell'aspiratore.

- Se si verifica il sovraccarico dell'aspiratore:
In tal caso, rilasciare l'interruttore a grilletto ed eliminare le cause del sovraccarico, quindi tirare il grilletto per riavviare.
- Se la capacità restante della batteria diventa bassa:
Ricaricare la cartuccia batteria.

Funzionamento dell'interruttore (Fig. 3)

Per avviare l'aspiratore, premere semplicemente il pulsante "HIGH/LOW". Per spegnerlo, premere il pulsante "OFF". Per cambiare la velocità dell'aspiratore, premere il pulsante "HIGH/LOW". La prima pressione di questo pulsante è per l'alta velocità, e la seconda pressione è per la bassa velocità, dopo di che ogni pressione successiva del pulsante ripete alternativamente il ciclo di alta/bassa velocità.

Accensione della lampada (Fig. 4)

Solo per il modello DCL182F

ATTENZIONE:











- Non guardare mai direttamente la luce. La luce diretta causa danni agli occhi.

Per accendere la lampada, è sufficiente premere il pulsante "HIGH/LOW". Per spegnere la lampada, premere il pulsante "OFF".

Indicazione della capacità restante della batteria (Fig. 5)

Solo per cartucce delle batterie dotate di indicatore

Premere il bottone di controllo sulla cartuccia batteria per visualizzare la capacità restante della batteria. Le spie si accendono per pochi secondi.

| Spie | | | Capacità restante |
|--|--|--|---|
|  Accesa |  Spenta |  Lampeggiante | |
|  | | | dal 75% al 100% |
|  | | | dal 50% al 75% |
|  | | | dal 25% al 50% |
|  | | | dal 0% al 25% |
|  | | | Caricare la batteria. |
|  | | | Si potrebbe essere verificato un malfunzionamento della batteria. |
|  | | | |

015658

NOTA:

- A seconda delle condizioni d'utilizzo e della temperatura ambiente, l'indicazione potrebbe differire leggermente dalla capacità reale.

Spia batteria (Fig. 3)

- Quando la capacità restante della batteria diventa bassa, la spia della batteria lampeggia.
- Quando la capacità restante della batteria diventa molto bassa, l'utensile si arresta mentre sta funzionando e la spia della batteria si accende per dieci secondi circa. Rimuovere allora la batteria dall'utensile e ricaricarla.

NOTA:

- Il momento in cui la spia della batteria comincia a lampeggiare o si accende dipende dalla temperatura del luogo di utilizzo e dalle condizioni della batteria.

MONTAGGIO

ATTENZIONE:

- Accertarsi sempre che l'utensile sia spento e che la batteria sia stata rimossa prima di qualsiasi intervento sull'utensile.

Smaltimento della polvere

ATTENZIONE:

- Svuotare l'aspiratore prima che diventi troppo pieno, perché altrimenti la forza di aspirazione si riduce.
- Svuotare la polvere dall'interno dell'aspiratore. In caso contrario, il filtro di spugna potrebbe intasarsi o il motore rimanere danneggiato.

- Il fermo polvere non deve mai essere gettato via e deve essere usato ogni volta che si usa il sacchetto polvere o il pacco carta.

1. Spingere il bottone per aprire il coperchio anteriore. Aprendolo finché si sente uno scatto permette un stop positivo su quella posizione. (Fig. 6)

NOTA:

- L'aspiratore è costruito in modo che il coperchio anteriore si stacca se si cerca di aprirlo a un angolo di oltre 90°. Se il coperchio anteriore si stacca, inserirlo in posizione nel giunto coperchio anteriore. (Fig. 7)

ATTENZIONE:

- Chiudendo il coperchio anteriore, fare attenzione che le dita non rimangano incastrate.
2. Tirar fuori insieme allo stesso tempo entrambi il fermo polvere di colore arancione e il sacchetto polvere. (Fig. 8)
 3. Rimuovere il fermo polvere e svuotare l'aspiratore. (Fig. 9 e 10)

Sacchetto polvere e pacco carta

Installare il sacchetto polvere o il pacco carta prima di usare l'aspiratore.

Usare il fermo polvere quando si installa il sacchetto polvere o il pacco carta.

Il sacchetto polvere può essere usato molte volte ripetutamente pulendolo.

Il pacco carta è del tipo a perdere. Gettar via l'intero pacco carta senza svuotarlo quando diventa pieno.

Installazione del sacchetto polvere

Usare il fermo polvere quando si installa il sacchetto polvere. Fare attenzione a non scambiare per sbaglio il lato superiore con quello inferiore del fermo polvere, perché sono diversi l'uno dall'altro. (Fig. 11)

1. Inserire la sporgenza del sacchetto polvere nella scanalatura del fermo polvere, come mostrato nella illustrazione. (Fig. 12)
2. Non c'è alcuna differenza tra il lato superiore e quello inferiore del sacchetto polvere. Si può inserire la sua sporgenza di qualsiasi lato nella scanalatura inferiore del fermo polvere. (Fig. 13)
3. Sovrapporre il telaio del fermo polvere a quello del sacchetto polvere. (Fig. 14)
4. Sistemare insieme il fermo polvere e il sacchetto polvere nella cavità aspiratore, nella stessa direzione della freccia sul fermo polvere. Inserirli completamente nelle fessure della cavità aspiratore. (Fig. 15)
5. Sistemare l'intera parte del pannello del sacchetto polvere all'interno dell'utensile stesso. (Fig. 16)
6. Chiudere completamente il coperchio anteriore. (Fig. 17)

Installazione del pacco carta

1. Aprire l'ingresso del pacco carta prima di sistemarlo sul fermo polvere. (Fig. 18)

Usare il fermo polvere anche quando si installa il pacco carta. Fare attenzione a non scambiare per sbaglio il lato superiore con il lato inferiore, perché sono diversi l'uno dall'altro. (Fig. 19)

2. Inserire la sporgenza del pacco carta nella scanalatura del fermo polvere, come mostrato nella illustrazione. (Fig. 20)

- Non c'è distinzione tra i lati superiore e inferiore del pacco carta. Nella scanalatura inferiore del fermo polvere si può inserire la sporgenza di qualsiasi lato. (Fig. 21)
- Sovrapporre il telaio del fermo polvere a quello del pacco carta. (Fig. 22)
- Sistemare insieme il fermo polvere e il pacco carta nella cavità dell'aspiratore, nella stessa direzione della freccia sul fermo polvere. Inserirli completamente nelle fessure nella cavità dell'aspiratore. (Fig. 23)
- Sistemare l'intera parte del contenitore del pacco carta dentro l'utensile. (Fig. 24)
- Chiudere completamente il coperchio anteriore.

ATTENZIONE:

- Se per dimenticanza non si installa il sacchetto polvere o il pacco carta, oppure se non si inserisce il fermo polvere insieme con il sacchetto polvere, non si inserisce il pacco carta completamente nelle fessure o si usa un sacchetto rotto o lacerato, la polvere potrebbe penetrare nel motore. Ciò potrebbe causare un guasto del motore.
- Installando il pacco carta, non piegare il cartone sulla sua apertura.
- Il fermo polvere non deve mai essere gettato via, perché è necessario usarlo ripetutamente ogni volta che si usa il sacchetto polvere o il pacco carta.
- Il pacco carta per l'aspiratore è un componente importante per mantenere le prestazioni dell'utensile. L'utilizzo di pacchi carta diversi da quello originale potrebbe causare fumo o un incendio.

OPERAZIONI

ATTENZIONE:

- Per collegare gli accessori, come la bocchetta, ruotare e inserire l'accessorio nella direzione della freccia in modo da assicurare che sia attaccato saldamente durante l'uso. (Fig. 25)

Pulizia (Aspirazione)

Bocchetta (Fig. 26)

Attaccare la bocchetta per pulire i tavoli, le scrivanie, i mobili, ecc. La bocchetta si attacca facilmente.

Bocchetta + Prolunga (tubo diritto) (Fig. 27)

La prolunga va montata tra la bocchetta e l'aspiratore stesso. Questa disposizione è comoda per pulire il pavimento stando eretti.

Accessorio per fessure (Fig. 28)

Montare l'accessorio per fessure per la pulizia degli angoli e delle fessure di un'automobile o mobile.

Accessorio per fessure + Prolunga (tubo diritto) (Fig. 29)

Usare questa disposizione per la pulizia dei posti dove la bocchetta non può entrare, o di quelli alti difficili da raggiungere.

Pulizia senza la bocchetta (Fig. 30)

La polvere può essere aspirata senza la bocchetta.

MANUTENZIONE

ATTENZIONE:

- Accertarsi sempre che l'utensile sia spento prima di procedere all'ispezione o alla manutenzione.

Dopo l'uso

NOTA:

- Se si appoggia l'aspiratore a una parete senza alcun supporto, esso potrebbe cadere e danneggiarsi. (Fig. 31)

Pulizia

Pulire ogni tanto l'esterno (corpo aspiratore) usando un panno bagnato con acqua e sapone. Pulire anche la sezione di aspirazione, l'area di montaggio del sacchetto polvere/pacco carta e il fermo polvere. (Fig. 32)

ATTENZIONE:

- Mai usare benzina, benzene, solventi, alcol e altre sostanze simili. Potrebbero causare scolorimenti, deformazioni o crepe.

Lavare il sacchetto polvere con acqua saponata quando è intasato di polvere e la potenza dell'aspiratore si riduce. Asciugarlo completamente prima dell'uso. Se il sacchetto polvere non è sufficientemente asciutto, potrebbe causare una scarsa aspirazione e ridurre la vita di servizio del motore. (Fig. 33)

NOTA:

- Il pacco carta è del tipo a perdere.

Quando il filtro spugna è intasato di polvere, rimuoverlo dall'aspiratore e pulirlo o lavarlo in acqua.

Rimozione e installazione del filtro spugna (Fig. 34 e 35)

Per rimuovere il filtro spugna, rimuovere il sacchetto polvere o pacco carta, pizzicarlo con due dita ed estrarlo. Premere dentro l'intero bordo del filtro spugna contro la parete incavata all'interno dell'area di montaggio del sacchetto polvere/pacco carta.

ATTENZIONE:

- Dopo aver pulito il filtro spugna, installarlo nell'aspiratore. Se è stato lavato in acqua, asciugarlo prima di installarlo. Se il filtro spugna non è sufficientemente asciutto, potrebbe ridurre la vita di servizio del motore.

Supporto a muro per aspiratore a batteria

Accessorio opzionale

NOTA:

- La vite per montare il supporto non è inclusa. Preparare una vite idonea al materiale in cui debba essere avvitata.

Montare il supporto a muro per l'aspiratore a batteria su una parete, una trave o una colonna in legno duro, in cui sia possibile fissare saldamente il supporto a muro dell'aspiratore a batteria. Accertarsi sempre che il supporto a muro per l'aspiratore a batteria sia fissato saldamente, prima di appendere l'aspiratore. (Fig. 36)

ATTENZIONE:

- Non appendere l'aspiratore al supporto a muro con violenza né appendere altri elettrodomestici diversi dall'aspiratore.

Cosa controllare prima di chiamare il tecnico per la riparazione

| Sintomo | Area da controllare | Metodo di correzione del problema |
|-----------------------------|---|--|
| Forza di aspirazione debole | <ul style="list-style-type: none">• Il sacchetto polvere o pacco carta è pieno di polvere?• Il sacchetto polvere è intasato?• Il pacco carta è intasato?• La cartuccia della batteria è scarica? | <ul style="list-style-type: none">• Svuotare il sacchetto polvere o pacco carta.• Togliere la polvere o lavare il sacchetto polvere.• Sostituire il pacco carta.• Caricare la batteria. |
| L'aspiratore non funziona | <ul style="list-style-type: none">• La cartuccia della batteria è scarica? | <ul style="list-style-type: none">• Caricare la batteria. |

011566

NOTA:

- Non si deve cercare di riparare l'aspiratore da soli.

Per preservare la SICUREZZA e l'AFFIDABILITÀ del prodotto, le riparazioni, la manutenzione o la regolazione devono essere eseguite da un centro assistenza Makita autorizzato usando sempre ricambi Makita.

ACCESSORI OPZIONALI

ATTENZIONE:

• Questi accessori o raccordi sono consigliati per l'utilizzo con l'aspiratore Makita specificato in questo manuale. L'utilizzo di qualsiasi altro accessorio o ricambio potrebbe comportare il rischio di incidenti. Usare soltanto gli accessori o i ricambi per questo scopo prefissato.

Per maggiori dettagli riguardo a questi accessori, rivolgersi al Centro di Assistenza Makita locale.

- Prolunga (tubo diritto)
- Bocchetta
- Bocchetta per tappeti
- Spazzola per scaffali
- Accessorio per fessure
- Spazzola rotonda
- Manicotto flessibile
- Pacco carta
- Supporto a muro per aspiratore a batteria
- Accessorio ciclonico
- Batteria e caricatore genuini Makita

NOTA:

• Alcuni articoli nella lista potrebbero essere inclusi nell'imballo dell'utensile come accessori standard. Essi potrebbero differire da Paese a Paese.

Accessorio ciclonico (Fig. 37)

Informazioni sull'accessorio ciclonico

L'utilizzo dell'aspiratore con l'accessorio ciclonico installato riduce la quantità di polveri che entrano nel sacchetto polveri, il che contribuisce a evitare l'indebolimento della forza di aspirazione. Inoltre, anche la pulizia dopo l'uso è semplice.

ATTENZIONE:

• **Accertarsi sempre che l'utensile sia spento e che la cartuccia della batteria sia stata rimossa, prima di effettuare qualsiasi intervento sull'utensile.** Qualora la cartuccia della batteria venga lasciata inserita, l'aspiratore potrebbe avviarsi inaspettatamente e causare lesioni personali.

• **Pulire il filtro a rete dell'accessorio ciclonico e il sacchetto polveri dell'unità aspiratore quando diventano intasati.** L'utilizzo continuato nella condizione di intasamento potrebbe risultare in un riscaldamento o nell'emissione di fumo.

AVVISO:

• **Quando è montato l'accessorio ciclonico, non utilizzare l'aspiratore in direzione orizzontale o rivolto verso l'alto.** In caso contrario, si potrebbe causare l'intasamento del filtro a rete.

• **Utilizzare sempre l'aspiratore con il sacchetto polveri installato, anche quando si utilizza l'accessorio ciclonico.** L'utilizzo dell'aspiratore senza il sacchetto polveri installato potrebbe risultare in un malfunzionamento del motore.

NOTA:

• Verificare che l'accessorio ciclonico, l'aspiratore e il tubo diritto siano bloccati correttamente, prima dell'uso.

• Svuotare il contenitore polveri dell'accessorio ciclonico e il sacchetto polveri dell'aspiratore, quando le polveri si sono accumulate. In caso contrario, l'utilizzo continuato risulta in una forza di aspirazione ridotta.

Smaltimento delle polveri

Quando le polveri si sono accumulate fino alla linea di riempimento del contenitore polveri, attenersi alla procedura seguente e smaltire le polveri.

1. Mantenere saldamente il contenitore polveri, premere e tenere premuti i due pulsanti, quindi rimuovere il contenitore polveri. (Fig. 38)
2. Smaltire le polveri all'interno del contenitore polveri e rimuovere eventuali polveri depositate sulla superficie del filtro a rete.
3. Inserire completamente il contenitore polveri fino a quando i due pulsanti si bloccano con uno scatto. (Fig. 39)

NOTA:

• Verificare che l'accessorio ciclonico, l'aspiratore e il tubo diritto siano tutti saldamente collegati, prima di riprendere l'utilizzo.

• Qualora la forza di aspirazione non venga recuperata anche dopo aver smaltito le polveri e aver pulito il filtro a rete, controllare se le polveri si siano accumulate nel sacchetto polveri dell'aspiratore o se si sia verificato un intasamento.

Pulizia

Quando il contenitore polveri diventa sporco o il filtro a rete è intasato, rimuoverli e lavarli con acqua. (Per la procedura di rimozione, fare riferimento a "Smaltimento delle polveri").

Far asciugare completamente le parti prima della reinstallazione e dell'utilizzo. (Fig. 40)

Quando il filtro a rete si sporca notevolmente, pulirlo attenendosi alle procedure seguenti.

1. Ruotare il filtro a rete in senso antiorario e rimuoverlo mentre i ganci sono sbloccati. **(Fig. 41)**
2. Rimuovere le polveri sul filtro a rete, quindi lavarlo con acqua. Dopodiché, farlo asciugare completamente.
3. Inserire il filtro a rete nella base mentre i ganci sono allineati con l'apertura. Ruotare in senso orario il filtro a rete fino a quando i ganci si bloccano con uno scatto. Accertarsi che il filtro a rete sia installato saldamente. **(Fig. 42)**

WAARSCHUWING

- Dit apparaat mag worden gebruikt door kinderen van 8 jaar en ouder of door personen met beperkte fysieke, zintuiglijke of verstandelijke vermogens of gebrek aan ervaring of kennis van zaken, maar alleen onder toezicht of na instructie in veilig gebruik van het apparaat, met begrip van de eventuele risico's.
- Kinderen mogen niet met het apparaat spelen. Reinigen en onderhoud van het apparaat mag niet door kinderen worden verricht, tenzij onder toezicht.
- Zie het hoofdstuk "TECHNISCHE GEGEVENS" voor de typeaanduiding van de accu.
- Zie het hoofdstuk "De accu aanbrengen en verwijderen" voor hoe u de accu kunt aanbrengen en verwijderen.
- Wanneer u de accu wilt weggooien, verwijdert u de accu vanaf het gereedschap en gooit u hem op een veilige manier weg. Volg bij het weggooien van de accu de plaatselijke voorschriften.
- Als u het gereedschap gedurende een lange tijd niet denkt te gaan gebruiken, moet de accu vanaf het gereedschap worden verwijderd.
- Voorkom kortsluiting van de accu.
- Zie het hoofdstuk "ONDERHOUD" voor de benodigde informatie over de voorzorgsmaatregelen tijdens onderhoud door de gebruiker.

Verklaring van algemene gegevens

| | | |
|--------------------------|---------------------------------|----------------------------|
| 1 Rood aanduiding | 13 Bovenkant van de stofstopper | 25 Achterwand |
| 2 Knop | 14 Onderkant van de stofstopper | 26 Muurbevestiging voor de |
| 3 Accu | 15 Groef | accustofzuiger |
| 4 "OFF"-knop | 16 Stoffen stofzak | 27 Rechte buis |
| 5 "HIGH/LOW"-knop | 17 Onderste groef | 28 Cycloonhulpstuk |
| 6 Acculadinglampje | 18 Opening in de stofzuiger | 29 Zuigmond |
| 7 Lamp | 19 Papieren stofzak | 30 'Vol'-lijn |
| 8 Spanningslampjes | 20 Mondstuk | 31 Stofopvangdoos |
| 9 Controletoeets | 21 Stofzuiger | 32 Knop (twee plaatsen) |
| 10 Voordeksel | 22 Verlengbuis | 33 Gaasfilter |
| 11 Scharnier voor deksel | 23 Hoekmondstuk | 34 Haak |
| 12 Stofstopper | 24 Sponsfilter | 35 Opening |

TECHNISCHE GEGEVENS

| Model | | DCL142 | DCL182 | DCL182F |
|-----------------------|----------------------|------------------------|-------------------|---------|
| Inhoud | met stoffen stofzak | 0,50 L | | |
| | met papieren stofzak | 0,33 L | | |
| Ononderbroken gebruik | HIGH | Ong. 20 min. | | |
| | LOW | Ong. 40 min. | | |
| Totale lengte | | 986 mm | 1 004 mm | |
| Netto gewicht | | 1,3 - 1,5 kg | 1,3 - 1,6 kg | |
| Nominale spanning | | 14,4 V gelijkstroom | 18 V gelijkstroom | |

- In verband met ononderbroken research en ontwikkeling behouden wij ons het recht voor bovenstaande technische gegevens te wijzigen zonder voorafgaande kennisgeving.
- De technische gegevens kunnen van land tot land verschillen.
- Het gewicht is exclusief bijgeleverde accessoires, maar inclusief de accu(s). Het laagste en hoogste gecombineerde gewicht van het apparaat en de accu(s) wordt vermeld in de tabel.

Toepasselijke accu's en laders

| | | |
|-------|---|---|
| Accu | Model 14,4 V gelijkstroom | BL1415N / BL1430B / BL1440 / BL1460B |
| | Model 18 V gelijkstroom | BL1815N / BL1820B / BL1830B / BL1840B / BL1850B / BL1860B |
| Lader | DC18RC / DC18RD / DC18RE / DC18SD / DC18SE / DC18SF / DC18SH | |

- Sommige van de hierboven vermelde accu's en laders zijn mogelijk niet leverbaar afhankelijk van waar u woont.

WAARSCHUWING: Gebruik uitsluitend de accu's en laders die hierboven worden genoemd. Gebruik van enige andere accu of lader kan leiden tot letsel en/of brand.

END315-1

Symbolen

Hieronder staan de symbolen die voor het gereedschap kunnen worden gebruikt. Zorg dat u vóór het gebruik de betekenis ervan duidelijk begrijpt.



- Lees de gebruiksaanwijzing.



- Alleen voor EU-landen

Als gevolg van de aanwezigheid van schadelijke componenten in het apparaat, kunnen oude elektrische en elektronische apparaten, accu's en batterijen negatieve gevolgen hebben voor het milieu en de gezondheid van mensen.

Gooi elektrische en elektronische apparaten en accu's niet met het huisvuil weg!

In overeenstemming met de Europese richtlijn inzake oude elektrische en elektronische apparaten en inzake accu's en batterijen en de nationale wetgeving, dienen oude elektrische apparaten, accu's en batterijen gescheiden te worden opgeslagen en te worden ingeleverd bij een apart inzamelingspunt voor huishoudelijk afval dat de milieubeschermingsvoorschriften in acht neemt.

Dit wordt op het apparaat aangegeven door het symbool van een doorgekruiste afvalcontainer.

ENE017-1

Gebruiksdoeleinden

Het gereedschap is bedoeld om droog stof te verzamelen.

ENA007-2

VEILIGHEIDSWAARSCHUWINGEN VOOR ACCUSTOFZUIGERS

WAARSCHUWING: BELANGRIJK! LEES VÓÓR GEBRUIK alle veiligheidswaarschuwingen en alle instructies **ZORGVULDIG DOOR**. Het niet volgen van de waarschuwingen en instructies kan leiden tot elektrische schokken, brand en/of ernstig letsel.

1. **Stel niet bloot aan regen. Bewaar binnenshuis.**
2. **Sta niet toe dat ermee gespeeld wordt. Let goed op bij gebruik door of in de buurt van kinderen.**
3. **Gebruik uitsluitend zoals beschreven in deze gebruiksaanwijzing. Gebruik uitsluitend hulpstukken aanbevolen door de fabrikant.**
4. **Gebruik nooit met een beschadigde accu. Als het apparaat niet werkt zoals het zou moeten werken, is gevallen, is beschadigd, buiten heeft gelegen of in het water is gevallen, stuurt u het terug naar een servicecentrum.**
5. **Hanteer het apparaat niet met natte handen.**

6. **Steek geen voorwerpen in de openingen. Gebruik het apparaat niet wanneer een opening verstopt zit, houd het apparaat vrij van stof, pluizen, haar en alles wat de luchtdoorstroming kan hinderen.**
7. **Houd haar, loshangende kleding, vingers en alle lichaamsdelen uit de buurt van de openingen en bewegende delen.**
8. **Schakel alle bedieningselementen uit alvorens de accu eraf te halen.**
9. **Wees extra voorzichtig bij het stofzuigen op een trap.**
10. **Zuig geen ontvlambare of brandbare vloeistoffen, zoals benzine, op en gebruik het apparaat niet op plaatsen waar deze aanwezig kunnen zijn.**
11. **Gebruik voor het opladen uitsluitend de acculader die door de fabrikant werd geleverd.**
12. **Zuig niets op dat brandt of rookt, zoals sigaretten, lucifers of hete as.**
13. **Gebruik het apparaat niet zonder dat de stofzak en/of filters zijn aangebracht.**
14. **Laad de accu niet buitenshuis op.**
15. **Laad uitsluitend op met de acculader die wordt gespecificeerd door de fabrikant.** Een acculader die geschikt is voor een bepaald type accu, kan brandgevaar opleveren indien gebruikt met een ander type accu.
16. **Gebruik elektrisch gereedschap uitsluitend met de daarvoor bestemde accu.** Gebruik van andere accu's kan gevaar voor letsel of brandgevaar opleveren.
17. **Als de accu niet wordt gebruikt, houdt u deze uit de buurt van metalen voorwerpen zoals paperclips, muntgeld, sleutels, spijkers, schroeven en andere kleine metalen voorwerpen die een kortsluiting kunnen veroorzaken tussen de accupolen.**
18. **Onder zware gebruiksomstandigheden kan vloeistof uit de accu komen. Voorkom aanraking. Als aanraking per ongeluk zich voordoet, spoelt u met water.**
19. **Gebruik geen accu of gereedschap dat beschadigd of gewijzigd is.** Beschadigde of gewijzigde accu's kunnen onvoorspelbaar gedrag vertonen dat kan leiden tot brand, explosie of gevaar van letsel.
20. **Stel een accu of gereedschap niet bloot aan vuur of buitensporige temperaturen.** Blootstelling aan vuur of temperaturen hoger dan 130 °C kunnen een explosie veroorzaken.
21. **Volg alle oplaadinstructies en laad de accu of het gereedschap niet op buiten het temperatuurbereik opgegeven in de instructies.** Verkeerd opladen of bij een temperatuur buiten het opgegeven bereik kan de accu beschadigen en de kans op brand vergroten.

BEWAAR DEZE INSTRUCTIES.

AANVULLENDE VEILIGHEIDSVORSCHRIFTEN

Dit apparaat is bedoeld voor huishoudelijk gebruik.

1. Lees deze gebruiksaanwijzing en die van de acculader voor gebruik aandachtig door.
2. Zuig de volgende stoffen niet op:
 - Hete stoffen, zoals brandende sigaretten of gloeiend hete metaaldeeltjes veroorzaakt door het schuren/slijpen van metaal
 - Brandbare stoffen, zoals benzine, thinner, wasbenzine, kerosine of verf
 - Explosieve stoffen, zoals nitroglycerine
 - Ontvlambare stoffen, zoals aluminium, zink, magnesium, titanium, fosfor of celluloid
 - Nat vuil, water, olie en dergelijk
 - Harde stukjes met scherpe randen, zoals houtsnippers, metaaldeeltjes, steentjes, glastukjes, spijkers, punaises of scheermesjes
 - Poeder dat klontert, zoals cement of toner
 - Geleidend stof, zoals metaalvrijzel of koolstofpoeder
 - Zeer fijn stof, zoals cementpoeder

Een dergelijk gebruik kan leiden tot brand, persoonlijk letsel en/of materiële schade.
3. Stop onmiddellijk met het gebruik als u iets abnormaals opmerkt.
4. Als u de stofzuiger laat vallen of ergens tegenaan stoot, controleert u zorgvuldig op barsten of beschadigingen voordat u deze weer gebruikt.
5. Houd uit de buurt van fornuizen en verwarmingsbronnen.
6. Blokkeer de inlaatopening en de ventilatieopeningen niet.

BEWAAR DEZE VOORSCHRIFTEN.

ENC007-16

BELANGRIJKE VEILIGHEIDSLINSTRUCTIES VOOR EEN ACCU

1. Lees alle voorschriften en waarschuwingen op (1) de acculader, (2) de accu, en (3) het product waarvoor de accu wordt gebruikt, alvorens de accu in gebruik te nemen.
2. Haal de accu niet uit elkaar en saboteer hem niet. Dit kan leiden tot brand, buitensporige hitte of een explosie.
3. Als de gebruikstijd van een opgeladen accu aanzienlijk korter is geworden, moet u het gebruik ervan onmiddellijk stopzetten. Voortgezet gebruik kan oververhitting, brandwonden en zelfs een ontploffing veroorzaken.
4. Als elektrolyt in uw ogen is terechtgekomen, spoelt u uw ogen met schoon water en roept u onmiddellijk de hulp van een dokter in. Elektrolyt in de ogen kan blindheid veroorzaken.
5. Voorkom kortsluiting van de accu:
 - (1) Raak de accuklemmen nooit aan met een geleidend materiaal.
 - (2) Bewaar de accu niet in een bak waarin andere metalen voorwerpen zoals spijkers, munten e.d. worden bewaard.
 - (3) Stel de accu niet bloot aan water of regen.

Kortsluiting van de accu kan oorzaak zijn van een grote stroomafgifte, oververhitting, brandwonden, en zelfs defecten.

6. Bewaar en gebruik het gereedschap en de accu niet op plaatsen waar de temperatuur kan oplopen tot 50°C of hoger.
7. Werp de accu nooit in het vuur, ook niet wanneer hij zwaar beschadigd of volledig versleten is. De accu kan ontploffen in het vuur.
8. Laat de accu niet vallen, sla er geen spijker in, snijd er niet in, gooi er niet mee en stoot hem niet tegen een hard voorwerp. Dergelijke handelingen kunnen leiden tot brand, buitensporige hitte of een explosie.
9. **Gebruik nooit een beschadigde accu.**
10. De bijgeleverde lithium-ionbatterijen zijn onderhevig aan de vereisten in de wetgeving omtrent gevaarlijke stoffen.

Voor commercieel transport en dergelijke door derden en transporteurs moeten speciale vereisten ten aanzien van verpakking en etikettering worden nageleefd.

Als voorbereiding van het artikel dat wordt getransporteerd is het noodzakelijk een expert op het gebied van gevaarlijke stoffen te raadplegen. Houd u tevens aan mogelijk strengere nationale regelgeving.

Blootliggende contactpunten moeten worden afgedekt met tape en de accu moet zodanig worden verpakt dat deze niet kan bewegen in de verpakking.
11. Wanneer u de accu wilt weggooien, verwijdert u de accu vanaf het gereedschap en gooit u hem op een veilige manier weg. Volg bij het weggooien van de accu de plaatselijke voorschriften.
12. Gebruik de accu's uitsluitend met de gereedschappen die door Makita zijn aanbevolen. Als de accu's worden aangebracht in niet-compatibele gereedschappen, kan dat leiden tot brand, buitensporige warmteontwikkeling, een explosie of lekkage van elektrolyt.
13. Als u het gereedschap gedurende een lange tijd niet denkt te gaan gebruiken, moet de accu vanaf het gereedschap worden verwijderd.
14. Tijdens en na gebruik, kan de accu heet worden waardoor brandwonden of koude brandwonden kunnen worden veroorzaakt. Wees voorzichtig bij het hanteren van een hete accu.
15. Raak de aansluitpunten van het gereedschap niet onmiddellijk na gebruik aan omdat deze heet genoeg kunnen zijn om brandwonden te veroorzaken.
16. Zorg ervoor dat geen steenslag, stof of grond vast komt te zitten op/in de aansluitpunten, openingen en groeven van de accu. Dit kan leiden tot slechte prestaties of een defect van het gereedschap of de accu.
17. Behalve indien gebruik van het gereedschap is toegestaan in de buurt van hoogspanningsleidingen, mag u de accu niet gebruiken in de buurt van een hoogspanningsleiding. Dit kan leiden tot een storting of een defect van het gereedschap of de accu.
18. Houd de accu uit de buurt van kinderen.

BEWAAR DEZE VOORSCHRIFTEN.

LET OP:

- **Gebruik uitsluitend originele Makita accu's.** Het gebruik van niet-originele accu's, of accu's die zijn gewijzigd, kan ertoe leiden dat de accu ontploft en brand, persoonlijk letsel en schade veroorzaakt. Ook vervalt daarmee de garantie van Makita op het gereedschap en de lader van Makita.

Tips voor een maximale levensduur van de accu

1. **Laad de accu op voordat hij volledig ontladen is. Stop het gebruik van het gereedschap en laad de accu op telkens wanneer u vaststelt dat het vermogen van het gereedschap is afgenomen.**
2. **Laad een volledig opgeladen accu nooit opnieuw op. Te lang opladen verkort de levensduur van de accu.**
3. **Laad de accu op bij een omgevingstemperatuur tussen 10°C en 40°C. Laat een warme accu afkoelen alvorens hem op te laden.**
4. **Als de accu niet wordt gebruikt, verwijdert u hem vanaf het gereedschap of de lader.**
5. **Laad de accu op als u deze gedurende een lange tijd (meer dan zes maanden) niet gaat gebruiken.**

BESCHRIJVING VAN DE FUNCTIES

LET OP:

- Zorg altijd dat het gereedschap is uitgeschakeld en de accu ervan is verwijderd alvorens de functies op het gereedschap af te stellen of te controleren.
- Wees voorzichtig dat uw vinger(s) niet bekneld raken tussen de stofzuiger en de accu tijdens het aanbrengen van de accu, zoals aangegeven in de afbeelding. Beknelde vingers kunnen tot letsel leiden. (Fig. 1)

Installeren of verwijderen van de accu (Fig. 2)

LET OP:

- Schakel het gereedschap altijd uit alvorens de accu te installeren of te verwijderen.
- **Houd het gereedschap en de accu stevig vast wanneer u de accu aanbrengt of verwijdert.** Als u het gereedschap en de accu niet stevig vasthoudt, zou er iets uit uw handen kunnen glippen, met gevaar voor schade aan het gereedschap of de accu en eventuele verwonding.

Om de accu uit het gereedschap te halen, verschuift u de knop op de voorkant van de accu en trekt u de accu eraf. Om de accu te installeren, doet u de tong op de accu overeenkomen met de groef in de behuizing en dan schuift u de accu erin. Schuif de accu er altijd volledig in totdat die op zijn plaats vast klikt. Als u de rode aanduiding boven de knop kunt zien, is ze niet volledig vergrendeld.

LET OP:

- Schuif de accu volledig erin totdat de rode aanduiding niet meer zichtbaar is. Als u dit niet doet, kan de accu per ongeluk eruit vallen en uzelf of andere personen in uw omgeving verwonden.
- Druk de accu er niet met kracht in. Als de accu er niet gemakkelijk ingaat, betekent dit dat u hem niet op de juiste wijze erin steekt.

Accubeveiligingssysteem

De stofzuiger is voorzien van een beveiligingssysteem dat automatisch het uitgangsvermogen onderbreekt voor een langere levensduur.

De stofzuiger kan tijdens het gebruik stoppen wanneer het gereedschap en/of de accu zich in de volgende situatie bevinden. Dit wordt veroorzaakt door de inwerkingtreding van het beveiligingssysteem en duidt niet op een defect van de stofzuiger.

- Bij overbelasting van de stofzuiger:

In dit het geval is, laat u de aan/uit-schakelaar los, heft u de oorzaak van de overbelasting op en knijpt u daarna de aan/uit-schakelaar weer in om weer te beginnen.

- Als de resterende acculading laag is:

Laad de accu op.

Werkning van de trekschakelaar (Fig. 3)

Om de stofzuiger te starten, drukt u gewoon op de "HIGH/LOW"-knop. Om de stofzuiger uit te schakelen, drukt u op de "OFF"-knop. Om het toerental van de stofzuiger te veranderen, drukt u op de "HIGH/LOW"-knop. Bij de eerste keer drukken op deze knop wordt het hoge toerental ingeschakeld, en bij de tweede keer drukken wordt het lage toerental ingeschakeld. Bij iedere verdere druk op deze knop wordt de hoog/laag-cyclus beurtelings herhaald.

De lamp inschakelen (Fig. 4)

Alleen voor model DCL182F

LET OP:











- Kijk nooit direct in de lamp. Het directe lamplicht kan schadelijk zijn voor uw ogen.

Om de lamp in te schakelen, drukt u gewoon op de "HIGH/LOW"-knop. Om de lamp uit te schakelen, drukt u op de "OFF"-knop.

Aangeven van de resterende accuspanning (Fig. 5)

Alleen voor accu's met een indicatorlampje

Druk op de controletoets van de accu om de resterende accuspanning te zien. De spanningslampjes gaan enkele seconden lang branden.

| Spanningslampjes | | | Resterende accuspanning |
|--|---|---|--------------------------------------|
|  Verlicht |  Gedoofd |  Knippere- rend | |
|  | | | 75% tot 100% |
|  | | | 50% tot 75% |
|  | | | 25% tot 50% |
|  | | | 0% tot 25% |
|  | | | Laad de accu op. |
|  | | | Wellicht is er iets mis met de accu. |
|  | | | |

015658

OPMERKING:

- Afhankelijk van de gebruiksomstandigheden en de omgevingstemperatuur kan de aanduiding wel eens ietwat afwijken van de werkelijk resterende accuspanning.

Acculadinglampje (Fig. 3)

- Als de resterende acculading laag wordt, gaat het acculadinglampje knipperen.
- Als de resterende acculading nog lager wordt, stopt het gereedschap tijdens gebruik en gaat het acculadinglampje gedurende tien seconden branden. Als dit het geval is, verwijdert u de accu van het gereedschap en laadt u hem op.

OPMERKING:

- Het moment waarop het acculadinglampje gaat knipperen of branden is afhankelijk van de temperatuur op de werkplek en de toestand van de accu.

INEENZETTEN

LET OP:

- Controleer altijd of het gereedschap is uitgeschakeld en de accu ervan is verwijderd alvorens enig werk aan het gereedschap uit te voeren.

Het stof weggoaien

LET OP:

- Leeg de stofzuiger voordat deze te vol raakt omdat dan de zuigkracht afneemt.

- Vergeet niet het stof vanuit de stofzuiger zelf te verwijderen. Als u dit nalaat, kan het sponsfilter verstopt raken of de motor beschadigd raken.
 - Gooi de stofstopper nooit weg omdat deze iedere keer moet worden gebruikt wanneer de stoffen stofzak of de papieren stofzak wordt gebruikt.
- Druk op de knop om het voordeksel te openen. Open het tot een klinkgeluid hoorbaar is zodat het in die stand open blijft staan. (Fig. 6)

OPMERKING:

- De stofzuiger is zodanig gemaakt dat het voordeksel eraf komt wanneer geprobeerd wordt het voordeksel onder een hoek van meer dan 90° te openen. Als het voordeksel loskomt, steekt u deze weer op het scharnier op zijn plaats. (Fig. 7)

LET OP:

- Let er bij het sluiten van het voordeksel op dat uw vingers niet ertussen komen.
- Trek zowel de oranjekleurige stofstopper als de stofzak tegelijk eruit. (Fig. 8)
 - Haal de stofstopper eraf en leeg de stoffen stofzak. (Fig. 9 en 10)

Stoffen stofzak en papieren stofzak

Plaats een stoffen stofzak of een papieren stofzak voordat u de stofzuiger gebruikt.

Gebruik de stofstopper wanneer u een stoffen stofzak of een papieren stofzak plaatst.

Een stoffen stofzak kan vele malen gebruikt worden door deze regelmatig te legen.

De papieren stofzak is voor eenmalig gebruik. Als deze vol is, gooit u de hele papieren stofzak weg zonder deze te legen.

Een stoffen stofzak plaatsen

Gebruik de stofstopper bij het plaatsen van een stoffen stofzak. Wees voorzichtig de bovenkant en onderkant niet per ongeluk te verwisselen omdat deze van elkaar verschillen. (Fig. 11)

- Steek het uitsteeksel van de stoffen stofzak in de groef van de stofstopper, zoals aangegeven in de afbeelding. (Fig. 12)
- Er is geen verschil tussen de onder- en bovenkant van de stoffen stofzak. U mag het uitsteeksel van de onder- of bovenkant van de stofzak in de onderste groef van de stofstopper steken. (Fig. 13)
- Laat de rand van de stofstopper over de rand van de stoffen stofzak vallen. (Fig. 14)
- Steek de stofstopper en de stoffen stofzak tezamen in de opening van de stofzuiger in de richting van de pijp op de stofstopper. Steek deze helemaal in de sleuven in de opening van de stofzuiger. (Fig. 15)
- Steek het gehele stoffen deel van de stoffen stofzak in de stofzuiger. (Fig. 16)
- Sluit het voordeksel helemaal. (Fig. 17)

Een papieren stofzak plaatsen

- Vouw de ingang van de papieren stofzak open voordat u deze op de stofstopper plaatst. (Fig. 18)

Gebruik de stofstopper ook bij het plaatsen van een papieren stofzak. Wees voorzichtig de bovenkant en onderkant niet per ongeluk te verwisselen omdat deze van elkaar verschillen. (Fig. 19)

- Steek het uitsteeksel van de papieren stofzak in de groef van de stofstopper, zoals aangegeven in de afbeelding. (Fig. 20)

3. Er is geen verschil tussen de onder- en bovenkant van de papieren stofzak. U mag het uitsteeksel van de onder- of bovenkant van de stofzak in de onderste groef van de stofstopper steken. (Fig. 21)
4. Laat de rand van de stofstopper over de rand van de papieren stofzak vallen. (Fig. 22)
5. Steek de stofstopper en de papieren stofzak tezamen in de opening van de stofzuiger in de richting van de pijl op de stofstopper. Steek deze helemaal in de sleuven in de opening van de stofzuiger. (Fig. 23)
6. Steek het gehele papieren deel van de papieren stofzak in de stofzuiger. (Fig. 24)
7. Sluit het voordeksel helemaal.

LET OP:

- Als u vergeet een stoffen of papieren stofzak in de stofzuiger te plaatsen, als u nalaat de stofstopper tezamen met de stoffen of papieren stofzak helemaal in de sleuven te steken, of als u een kapotte of gescheurde stofzak gebruikt, kan stof in de motor binnendringen. Hierdoor kan een storing in de motor optreden.
- Vouw het karton bij de opening niet dubbel bij het plaatsen van de papieren stofzak.
- Gooi de stofstopper nooit weg omdat deze iedere keer moet worden gebruikt wanneer de stoffen stofzak of de papieren stofzak wordt gebruikt.
- De papieren stofzak is een belangrijk onderdeel voor het behoud van de prestaties van de stofzuiger. Als een andere dan de originele papieren stofzak wordt gebruikt, kan rookontwikkeling of ontbranding optreden.

BEDIENING

LET OP:

- Om een accessoire, zoals een mondstuk, aan te brengen, steekt u de accessoire in de zuigmond en verdraait u deze in de richting van de pijl om zeker te zijn van een stevige verbinding tijdens gebruik. Om de accessoire eraf te halen, verdraait u deze nogmaals in de richting van de pijl en trekt u de accessoire eraf. (Fig. 15)

Schoonmaken (zuigen)

Mondstuk (Fig. 26)

Bevestig het mondstuk voor het schoonmaken van tafels, bureaus, meubels, enz. Het mondstuk kan eenvoudig op de stofzuiger worden geplaatst.

Mondstuk + verlengbuis (rechte buis) (Fig. 27)

De verlengbuis past tussen het mondstuk en de stofzuigermond. Deze werkwijze is handig bij het schoonmaken van de grond terwijl u rechtop staat.

Hoekmondstuk (Fig. 28)

Bevestig het hoekmondstuk voor het schoonmaken van hoeken en spleten van meubels of in auto's.

Hoekmondstuk + verlengbuis (rechte buis) (Fig. 29)

In kleine ruimten waar de stofzuiger zelf niet in past, of op hoge plaatsen die moeilijk te bereiken zijn, gebruikt u deze werkwijze.

Stofzuigen zonder mondstuk (Fig. 30)

U kunt poeder en stof opzuigen zonder een mondstuk.

ONDERHOUD

LET OP:

- Zorg er altijd voor dat het gereedschap is uitgeschakeld voordat u een inspectie of onderhoud uitvoert.

Na gebruik

OPMERKING:

- Als de stofzuiger tegen een muur wordt gezet zonder enige ondersteuning, zal hij omvallen en beschadigd raken. (Fig. 31)

Schoonmaken

Veeg regelmatig de buitenkant (behuizing) van de stofzuiger schoon met een in zeepwater bevochtigde doek. Maak tevens de stofzuigermond, opening voor de stoffen/papieren stofzak en de stofstopper schoon. (Fig. 32)

LET OP:

- Gebruik nooit benzine, wasbenzine, thinner, alcohol en dergelijke. Hierdoor het verkleuring, vervormingen en barsten worden veroorzaakt.

Was de stoffen stofzak in zeepwater als deze verstopt zit met stof en de zuigkracht van de stofzuiger sterk is afgenomen. Droog deze goed alvorens weer te gebruiken. Een onvoldoende droge stoffen stofzak kan leiden tot slecht zuigen en kan de levensduur van de motor verkorten. (Fig. 33)

OPMERKING:

- De papieren stofzak is voor eenmalig gebruik.

Als het sponsfilter verstopt zit met stof, haalt u deze uit de stofzuiger en veegt u deze schoon of wast u deze in water.

Het sponsfilter eruit halen en terugplaatsen (Fig. 34 en 35)

Om het sponsfilter eruit te halen, haalt u eerst de stoffen of papieren stofzak eruit, knijpt u in het sponsfilter en trekt u het eruit.

Duw de hele rand van het sponsfilter tegen de achterwand binnenin de opening voor de stoffen/papieren stofzak.

LET OP:

- Vergeet na het schoonmaken van het sponsfilter niet om deze weer terug te plaatsen in de stofzuiger. Als het sponsfilter in water is gewassen, laat u het drogen voordat u het terugplaatst. Een onvoldoende droog sponsfilter kan de levensduur van de motor verkorten.

Muurbevestiging voor de accustofzuiger

Optioneel accessoire

OPMERKING:

- De schroef voor bevestiging van de houder is niet bijgeleverd. Bereid een schroef voor die geschikt is voor het materiaal waarin hij wordt geschroefd.

Bevestig de muurbevestiging voor de accustofzuiger op een massieve houten wand, balk of pilaar waaraan de muurbevestiging voor de accustofzuiger stevig kan worden bevestigd. Verzeker u er altijd van dat de muurbevestiging voor de accustofzuiger stevig bevestigd is voordat u de stofzuiger erin hangt. (Fig. 36)

LET OP:

- Hang de stofzuiger niet met geweld in de muurbevestiging en hang er geen ander apparaat in dan de stofzuiger.

Controleer de onderstaande punten alvorens te laten repareren

| Symptoom | Mogelijke oorzaak | Mogelijke oplossing |
|---------------------|---|--|
| Geringe zuigkracht | <ul style="list-style-type: none"> • Zit de stoffen of papieren stofzak vol met stof? • Is de stoffen stofzak verstopt? • Is de papieren stofzak verstopt? • Is de accu leeg? | <ul style="list-style-type: none"> • Maak de stoffen of papieren stofzak leeg. • Klop de stoffen stofzak uit of was hem. • Vervang de papieren stofzak. • Laad de accu op. |
| Apparaat werkt niet | <ul style="list-style-type: none"> • Is de accu leeg? | <ul style="list-style-type: none"> • Laad de accu op. |

011566

OPMERKING:

- Probeer de stofzuiger niet zelf te repareren.

Om de VEILIGHEID en BETROUWBAARHEID van het product te handhaven, dienen alle reparaties en alle andere onderhoudswerkzaamheden of afstellingen te worden uitgevoerd door een erkend Makita Servicecentrum, en dat uitsluitend met gebruik van Makita vervangingsonderdelen.

OPTIONELE ACCESSOIRES**LET OP:**

- Deze accessoires of hulpstukken worden aanbevolen voor gebruik met de Makita-stofzuiger die in deze gebruiksaanwijzing wordt beschreven. Het gebruik van andere accessoires of hulpstukken kan gevaar op persoonlijk letsel opleveren. Gebruik de accessoires of hulpstukken uitsluitend voor de aangegeven gebruikdoeleinden.

Mocht u meer informatie willen hebben over deze accessoires, dan kunt u contact opnemen met uw plaatselijke Makita-servicecentrum.

- Verlengbuis (rechte buis)
- Mondstuk
- Mondstuk voor tapijt
- Boekenplankborstel
- Hoekmondstuk
- Ronde borstel
- Flexibele slang
- Papieren stofzak
- Muurbevestiging voor de accustofzuiger
- Cycloohulpstuk
- Originele Makita accu en acculader

OPMERKING:

- Sommige van de onderdelen in deze lijst kunnen bijgeleverd zijn als standaard-accessoires. Deze accessoires kunnen per land verschillend zijn.

Cycloohulpstuk (Fig. 37)**Over het cycloohulpstuk**

Als u de stofzuiger gebruikt met het cycloohulpstuk aangebracht, wordt de hoeveelheid stof verlaagd die in de stofzak terecht komt, wat helpt om de afname van de zuigkracht te voorkomen. Bovendien is het schoonmaken na gebruik ook eenvoudig.

LET OP:

- **Zorg altijd dat het gereedschap is uitgeschakeld en de accu ervan is verwijderd alvorens enige werkzaamheden aan het gereedschap uit te voeren.** Als u de accu erop laat zitten, kan de stofzuiger onverwachts starten en letsel veroorzaken.
- **Reinig het gasfilter van het cycloohulpstuk en de stofzak van de stofzuiger wanneer deze verstopt raken.** Als u hem blijft gebruiken terwijl deze verstopt zijn, kan dat leiden tot warm worden en rook.

KENNISGEVING:

- **Wanneer het cycloohulpstuk is aangebracht, mag u de stofzuiger niet in een horizontale of omhoog gerichte stand gebruiken.** Als u dat toch doet, kan het gasfilter verstopt raken.
- **Gebruik de stofzuiger altijd met de stofzak aangebracht, ook wanneer u het cycloohulpstuk gebruikt.** Als u de stofzuiger gebruikt zonder dat de stofzak is aangebracht, kan een storing optreden in de motor.

OPMERKING:

- Controleer vóór gebruik of het cycloohulpstuk, de stofzuiger en de rechte buis goed zijn vergrendeld.
- Maak de stofopvangdoos van het cycloohulpstuk en de stofzak van de stofzuiger leeg wanneer stof zich heeft opgehoopt. Als u hem blijft gebruiken, zal dat leiden tot een lagere zuigkracht.

Het stof weggoien

Wanneer het stof zich heeft opgehoopt tot aan de 'vol'-lijn op de stofopvangdoos, volgt u de onderstaande procedure en gooit u het stof weg.

1. Houd de stofopvangdoos stevig vast, houd de twee knoppen ingedrukt en verwijder de stofopvangdoos. (Fig. 38)
2. Gooi het stof in de stofopvangdoos weg en verwijder alle stof en poeder die vastzit op het oppervlak van het gasfilter.
3. Steek de stofopvangdoos helemaal erop totdat de twee knoppen met een klik vergrendelen. (Fig. 39)

OPMERKING:

- Controleer vóór gebruik of het cycloohulpstuk, de stofzuiger en de rechte buis allemaal stevig zijn bevestigd voordat u de werkzaamheden hervat.
- Als de zuigkracht niet is hersteld nadat het stof is weggegooid en het gasfilter is schoongemaakt, controleer u of stof zich heeft opgehoopt in de stofzak van de stofzuiger of er een verstopping is opgetreden.

Schoonmaken

Wanneer de stofopvangdoos vuil wordt of het gaasfilter verstopt raakt, verwijdert u ze en wast u ze af met water. (Raadpleeg "Het stof weggooien" voor de verwijderingsprocedure.)

Laat de onderdelen goed drogen voordat u ze weer aanbrengt en gebruikt. **(Fig. 40)**

Wanneer het gaasfilter erg vuil wordt, reinigt u het aan de hand van de volgende procedure.

1. Draai het gaasfilter linksom en verwijder het nadat de haken ontgrendeld zijn. **(Fig. 41)**
2. Verwijder het stof op het gaasfilter en was het daarna met water. Laat het vervolgens goed drogen.
3. Steek het gaasfilter in de voet terwijl de haken zijn uitgelijnd met de openingen. Draai het gaasfilter rechtsom tot de haken met een klik worden vergrendeld. Verzeker u ervan dat het gaasfilter stevig is aangebracht. **(Fig. 42)**

ADVERTENCIA

- Este aparato puede ser utilizado por niños de 8 o más años de edad y personas con capacidades físicas, sensoriales o mentales mermadas, o sin experiencia y conocimiento, si han recibido supervisión o instrucción para el uso del aparato de forma segura y son conscientes del peligro que implica.
- Los niños no deben jugar con el aparato. La limpieza y mantenimiento que debe hacer el usuario no deben ser realizados por niños sin supervisión.
- Consulte el capítulo "ESPECIFICACIONES" para ver la referencia del tipo de batería.
- Consulte la sección "Instalación o extracción del cartucho de batería" para ver cómo retirar o instalar la batería.
- Para desechar el cartucho de batería, retírelo de la herramienta y deséchelo en un lugar seguro. Siga los reglamentos locales referentes al desecho de la batería.
- Si la herramienta no va a ser utilizada durante un periodo de tiempo largo, la batería deberá ser retirada de la herramienta.
- No cortocircuite el cartucho de batería.
- Consulte el capítulo "MANTENIMIENTO" para ver los detalles apropiados de las precauciones durante el mantenimiento hecho por el usuario.

Explicación de los dibujos

| | | | | | |
|----|----------------------------------|----|-----------------------------------|----|--|
| 1 | Indicador rojo | 13 | Parte superior del tapón de polvo | 25 | Pared rebajada |
| 2 | Botón | 14 | Parte inferior del tapón de polvo | 26 | Colgador de pared para la aspiradora inalámbrica |
| 3 | Cartucho de batería | 15 | Ranura | 27 | Tubo recto |
| 4 | Botón OFF | 16 | Bolsa de polvo | 28 | Colector ciclónico |
| 5 | Botón HIGH/LOW | 17 | Ranura inferior | 29 | Boca de succión |
| 6 | Lámpara de energía de la batería | 18 | Cavidad del aspirador | 30 | Línea de lleno |
| 7 | Lámpara | 19 | Paquete de papel | 31 | Recipiente para polvo |
| 8 | Lámparas indicadoras | 20 | Boquilla | 32 | Botón (dos lugares) |
| 9 | Botón de comprobación | 21 | Aspirador | 33 | Filtro de malla |
| 10 | Tapa delantera | 22 | Tubo de extensión | 34 | Gancho |
| 11 | Junta de la cubierta frontal | 23 | Boquilla para esquinas | 35 | Abertura |
| 12 | Tapón de polvo | 24 | Filtro de esponja | | |

ESPECIFICACIONES

| Modelo | | DCL142 | DCL182 | DCL182F |
|----------------------|----------------------|----------------|--------------|---------|
| Capacidad | con bolsa de polvo | 0,50 L | | |
| | con paquete de papel | 0,33 L | | |
| Utilización continua | HIGH | Aprox. 20 min. | | |
| | LOW | Aprox. 40 min. | | |
| Longitud total | | 986 mm | 1.004 mm | |
| Peso neto | | 1,3 - 1,5 kg | 1,3 - 1,6 kg | |
| Tensión nominal | | CC 14,4 V | CC 18 V | |

- Debido a nuestro continuo programa de investigación y desarrollo, las especificaciones en este manual están sujetas a cambio sin previo aviso.
- Las especificaciones pueden ser diferentes de país a país.
- El peso no incluye accesorios excepto el cartucho(s) de batería. El peso de las combinaciones menos pesada y más pesada del aparato y cartucho(s) de batería se muestra en la tabla.

Cartucho de batería y cargador aplicables

| | | |
|---------------------|--|---|
| Cartucho de batería | Modelo de CC 14,4 V | BL1415N / BL1430B / BL1440 / BL1460B |
| | Modelo de CC 18 V | BL1815N / BL1820B / BL1830B / BL1840B / BL1850B / BL1860B |
| Cargador | DC18RC / DC18RD / DC18RE / DC18SD / DC18SE / DC18SF / DC18SH | |

- Algunos de los cartuchos de batería y cargadores indicados arriba puede que no estén disponibles dependiendo de su región de residencia.

ADVERTENCIA: Utilice solamente los cartuchos de batería y cargadores listados arriba. La utilización de cualquier otro cartucho de batería y cargador puede ocasionar heridas y/o un incendio.

END315-1

Símbolos

A continuación se muestran los símbolos que pueden ser utilizados para el equipo. Asegúrese de que entiende sus significados antes de utilizar la herramienta.



- Lea el manual de instrucciones.



Ni-MH
Li-ion

- Sólo para países de la Unión Europea. Debido a la presencia de componentes peligrosos en el equipo, el equipo eléctrico y electrónico, los acumuladores y las baterías desechados pueden tener un impacto negativo para el medioambiente y la salud humana.

¡No tire los aparatos eléctricos y electrónicos ni las baterías junto con los residuos domésticos!

De conformidad con las Directivas Europeas sobre residuos de aparatos eléctricos y electrónicos y sobre acumuladores y baterías y residuos de acumuladores y baterías, así como la adaptación de las mismas a la ley nacional, el equipo eléctrico, las baterías y los acumuladores desechados deberán ser almacenados por separado y trasladados a un punto distinto de recogida de desechos municipales, que cumpla con los reglamentos sobre protección medioambiental.

Esto se indica mediante el símbolo de cubo de basura tachado colocado en el equipo.

Uso previsto

La herramienta ha sido prevista para recoger polvo seco.

ENE017-1

ENA007-2

ADVERTENCIAS DE SEGURIDAD PARA LA ASPIRADORA INALÁMBRICA

ADVERTENCIA: ¡IMPORTANTE! LEA CON ATENCIÓN todas las advertencias de seguridad y todas las instrucciones ANTES DE UTILIZAR. No seguir las advertencias e instrucciones puede resultar en una descarga eléctrica, un incendio y/o heridas graves.

1. **No exponga el aparato a la lluvia.** Almacene el aparato en interiores.
2. **No permita que el aparato sea utilizado como juguete.** Es necesario prestar mucha atención cuando el aparato sea utilizado por niños o cerca de ellos.
3. **Utilice el aparato solamente de la forma descrita en este manual.** Utilice solamente los accesorios recomendados por el fabricante.
4. **No utilice el aparato con una batería dañada.** Si el aparato no está funcionando como es debido, si se ha dejado caer, se ha dañado, se ha dejado en exteriores, o se ha caído al agua, llévelo a un centro de servicio.
5. **No maneje el aparato con las manos mojadas.**

6. **No ponga ningún objeto dentro de las aberturas.** No utilice el aparato con ninguna de sus aberturas bloqueada; manténgalo libre de polvo, hilachas, pelo, y cualquier cosa que pueda reducir el flujo de aire.
7. **Mantenga el pelo, ropa holgada, dedos, y todas las partes del cuerpo alejadas de las aberturas y partes en movimiento.**
8. **Desactive todos los controles antes de extraer la batería.**
9. **Tenga cuidado especial cuando limpie en escaleras.**
10. **No utilice el aparato para recoger líquidos inflamables o combustibles,** tal como gasolina, ni en áreas donde pueda haber tales líquidos.
11. **Utilice para recargar solamente el cargador suministrado por el fabricante.**
12. **No recoja nada que esté quemándose o echando humo,** tal como cigarrillos, cerillas, o cenizas calientes.
13. **No utilice el aparato sin estar instalados la bolsa de polvo y/o los filtros.**
14. **No cargue la batería en exteriores.**
15. **Recargue solamente con el cargador especificado por el fabricante.** Un cargador que es apropiado para un tipo de batería puede crear un riesgo de incendio cuando se utiliza con otra batería.
16. **Utilice las herramientas eléctricas solamente con las baterías designadas específicamente para ellas.** La utilización de cualquier otra batería puede crear un riesgo de heridas o incendio.
17. **Cuando la batería no esté siendo utilizada, manténgala alejada de otros objetos metálicos,** como sujetapapeles, monedas, llaves, clavos, tornillos u otros objetos metálicos pequeños, que puedan hacer conexión entre un terminal y otro.
18. **En condiciones abusivas, es posible que salga expulsado líquido de la batería; evite el contacto con él.** Si se produce un contacto accidental, enjuague con agua.
19. **No utilice una batería o herramienta que esté dañada o modificada.** Las baterías dañadas o modificadas pueden comportarse de forma impredecible resultando en un incendio, explosión o riesgo de heridas.
20. **No exponga una batería o herramienta al fuego o a temperatura excesiva.** La exposición al fuego o a una temperatura superior a los 130 °C puede ocasionar una explosión.
21. **Siga todas las instrucciones de carga y no cargue la batería o la herramienta fuera del rango de temperatura especificado en las instrucciones.** Cargar incorrectamente o a temperaturas fuera del rango especificado puede dañar la batería y aumentar el riesgo de incendio.

GUARDE ESTAS INSTRUCCIONES.

NORMAS DE SEGURIDAD ADICIONALES

Este aparato ha sido previsto para ser utilizado en el hogar.

1. Lea este manual de instrucciones y el manual de instrucciones del cargador atentamente antes de utilizar el aparato.
2. No recoja los materiales siguientes:
 - Materiales calientes tales como cigarrillos encendidos o polvo de chispas/metales generado al cortar/amolar metales
 - Materiales inflamables tales como gasolina, disolvente, bencina, keroseno o pintura
 - Materiales explosivos como nitroglicerina
 - Materiales que puedan prenderse como aluminio, cinc, magnesio, titanio, fósforo o celulosa
 - Suciedad mojada, agua, aceite o similares
 - Piezas duras con bordes cortantes, tales como virutas de madera, metales, piedras, cristales, clavos, alfileres o cuchillas de afeitar
 - Polvo que cuaje tales como cemento o tónor
 - Polvo conductivo como metales o carbón
 - Partículas finas como polvo de cemento

Tales acciones podrán causar un incendio, heridas y/o daños a la propiedad.
3. Detenga inmediatamente la operación si nota algo anormal.
4. Si deja caer o golpea el aspirador, compruebe atentamente si tiene grietas o algún daño antes de iniciar la operación.
5. No lo acerque a estufas u otras fuentes de calor.
6. No bloquee el orificio de admisión ni los orificios de ventilación.

GUARDE ESTAS INSTRUCCIONES.

ENC007-16

INSTRUCCIONES DE SEGURIDAD IMPORTANTES PARA EL CARTUCHO DE BATERÍA

1. Antes de utilizar el cartucho de batería, lea todas las instrucciones e indicaciones de precaución sobre (1) el cargador de baterías, (2) la batería, y (3) el producto con el que se utiliza la batería.
2. No desensamble ni manipule el cartucho de batería. Podrá resultar en un incendio, calor excesivo, o una explosión.
3. Si el tiempo de uso se acorta demasiado, cese la operación inmediatamente. Podría resultar en un riesgo de recalentamiento, posibles quemaduras e incluso una explosión.
4. Si entra electrolito en sus ojos, aclárelos con agua limpia y acuda a un médico inmediatamente. Existe el riesgo de poder perder la vista.
5. No cortocircuite el cartucho de batería:
 - (1) No toque los terminales con ningún material conductor.
 - (2) Evite guardar el cartucho de batería en un cajón junto con otros objetos metálicos, como clavos, monedas, etc.
 - (3) No exponga el cartucho de batería al agua ni a la lluvia.

Un cortocircuito en la batería puede producir una gran circulación de corriente, un recalentamiento, posibles quemaduras e incluso una rotura de la misma.

6. No guarde ni utilice la herramienta y el cartucho de batería en lugares donde la temperatura pueda alcanzar o exceder los 50°C.
7. Nunca incinere el cartucho de batería incluso en el caso de que esté dañado seriamente o ya no sirva en absoluto. El cartucho de batería puede explotar si se tira al fuego.
8. No clave, corte, aplaste, lance, deje caer el cartucho de batería, ni golpee contra un objeto duro el cartucho de batería. Tal conducta podrá resultar en un incendio, calor excesivo, o una explosión.
9. No utilice una batería dañada.
10. Las baterías de litio-ion contenidas están sujetas a los requisitos de la Legislación para Materiales Peligrosos.

Para transportes comerciales, p.ej., por terceras personas y agentes de transportes, se deberán observar requisitos especiales para el empaquetado y etiquetado.

Para la preparación del artículo que se va a enviar, se requiere consultar con un experto en materiales peligrosos. Por favor, observe también la posibilidad de reglamentos nacionales más detallados.

Cubra con cinta aislante o enmascare los contactos expuestos y empaquete la batería de tal manera que no se pueda mover alrededor dentro del embalaje.
11. Para desechar el cartucho de batería, retírelo de la herramienta y deséchelo en un lugar seguro. Siga los reglamentos locales referentes al desecho de la batería.
12. Utilice las baterías solamente con los productos especificados por Makita. La instalación de las baterías en productos no compatibles puede resultar en un incendio, calor excesivo, explosión, o fuga de electrolito.
13. Si la herramienta no va a ser utilizada durante un periodo de tiempo largo, la batería deberá ser retirada de la herramienta.
14. Durante y después de la utilización, el cartucho de batería podrá acumular calor, lo cual puede ocasionar quemaduras o quemaduras de baja temperatura. Preste atención al manejo de cartuchos de batería calientes.
15. No toque el terminal de la herramienta inmediatamente después de utilizar, dado que puede calentarse lo suficiente como para ocasionar quemaduras.
16. No permita que virutas, polvo, o tierra se adhieran dentro de los terminales, orificios, y ranuras del cartucho de batería. Podría resultar en un mal rendimiento o rotura de la herramienta o el cartucho de batería.
17. A menos que la herramienta pueda utilizarse cerca de cables eléctricos de alta tensión, no utilice el cartucho de batería cerca de cables eléctricos de alta tensión. Podrá resultar en un mal funcionamiento o rotura de la herramienta o el cartucho de batería.
18. Mantenga la batería alejada de los niños.

GUARDE ESTAS INSTRUCCIONES.

PRECAUCIÓN:

- **Utilice solamente baterías genuinas de Makita.** La utilización de baterías no genuinas de Makita, o baterías que han sido alteradas, puede resultar en una explosión de la batería ocasionando incendios, heridas personales y daños. También anulará la garantía de Makita para la herramienta y el cargador de Makita.

Consejos para alargar al máximo la vida de servicio de la batería

1. **Cargue el cartucho de batería antes de que se descargue completamente. Detenga siempre la operación y cargue el cartucho de batería cuando note menos potencia en la herramienta.**
2. **No cargue nunca un cartucho de batería que esté completamente cargado. La sobrecarga acortará la vida de servicio de la batería.**
3. **Cargue el cartucho de batería a temperatura ambiente de 10°C – 40°C. Si un cartucho de batería está caliente, déjelo enfriar antes de cargarlo.**
4. **Cuando no esté utilizando el cartucho de batería, retírelo de la herramienta o del cargador.**
5. **Cargue el cartucho de batería si no lo utiliza durante un periodo de tiempo prolongado (más de seis meses).**

DESCRIPCIÓN DEL FUNCIONAMIENTO

PRECAUCIÓN:

- Asegúrese siempre de que la herramienta esté apagada y el cartucho de batería extraído antes de realizar cualquier ajuste o comprobación en la herramienta.
- Tenga cuidado de no pillarse el dedo(s) entre el aspirador y la batería como se muestra en el diagrama al instalar la batería. Si se pilla el dedo(s) podrá ocasionarse una herida. (Fig. 1)

Instalación o desmontaje del cartucho de batería (Fig. 2)

PRECAUCIÓN:

- Apague siempre la herramienta antes de instalar o extraer el cartucho de batería.
- **Sujete la herramienta y el cartucho de batería firmemente cuando instale o extraiga el cartucho de batería.** Si no sujeta la herramienta y el cartucho de batería firmemente podrán caérsele de las manos y resultar en daños a la herramienta y cartucho de batería y heridas personales.

Para extraer el cartucho de batería, deslícelo de la herramienta a la vez que desliza el botón de la parte frontal del cartucho.

Para instalar el cartucho de batería, alinee la lengüeta del cartucho de batería con la acanaladura del alojamiento y deslícelo hasta encajarlo en su sitio. Insértelo a tope hasta que se bloquee en su sitio produciendo un pequeño chasquido. Si puede ver el indicador rojo en el lado superior del botón, no estará bloqueado completamente.

PRECAUCIÓN:

- Instale siempre el cartucho de batería completamente hasta que no pueda verse el indicador rojo. De lo contrario, podrá caerse de la herramienta accidentalmente, pudiendo ocasionarle heridas a usted o a alguien cerca de usted.
- No instale el cartucho de batería empleando fuerza. Si el cartucho no se desliza al interior fácilmente, será porque no está siendo insertado correctamente.

Sistema de protección de la batería

La aspiradora está equipada con el sistema de protección, que corta automáticamente la alimentación para asegurar una larga vida de servicio.

La aspiradora podrá detenerse durante la operación cuando la aspiradora y/o la batería sean puestas en una de las situaciones siguientes. Esto es causado por la activación del sistema de protección y no significa un problema de la aspiradora.

- Cuando la aspiradora esté sobrecargada:
En este momento, suelte el gatillo interruptor y elimine las causas de la sobrecarga y después apriete el gatillo interruptor otra vez para reanudar.
- Cuando la capacidad de batería restante sea baja:
Cargue el cartucho de batería.

Accionamiento del interruptor (Fig. 3)

Para poner en marcha la aspiradora, simplemente presione el botón "HIGH/LOW". Para apagar, presione el botón "OFF". Para cambiar la velocidad de la aspiradora, presione el botón "HIGH/LOW". La primera vez que se presiona este botón es para velocidad alta y la segunda para velocidad baja y después cada vez que se presiona este botón se repite el ciclo de velocidad alta/baja alternativamente.

Encendido de la lámpara (Fig. 4)

Para el modelo DCL182F solamente

PRECAUCIÓN:

- No mire nunca a la luz directamente. La luz directa ocasiona daño a sus ojos.

Para encender la lámpara, simplemente presione el botón "HIGH/LOW". Para apagar la lámpara, presione el botón "OFF".

Indicación de la capacidad de batería restante (Fig. 5)

Solamente para cartuchos de batería con el indicador

Pulse el botón de comprobación en el cartucho de batería para indicar la capacidad de batería restante. Las lámparas indicadoras se iluminan durante unos pocos segundos.

| Lámparas indicadoras | | | Capacidad restante |
|----------------------|---------|-------------|---|
| Encendida | Apagada | Parpadeando | |
| | | | 75% a 100% |
| | | | 50% a 75% |
| | | | 25% a 50% |
| | | | 0% a 25% |
| | | | Cargue la batería. |
| | | | Es posible que la batería no funcione bien. |

015658

NOTA:

- Dependiendo de las condiciones de utilización y la temperatura ambiente, es posible que la indicación varíe ligeramente de la capacidad real.

Lámpara de energía de la batería (Fig. 3)

- Cuando la capacidad de batería restante sea baja, la lámpara de energía de la batería parpadeará.
- Cuando la capacidad de batería restante sea muy baja, la herramienta se detendrá durante la operación y la lámpara de energía de la batería se encenderá durante unos diez segundos. En este momento, extraiga el cartucho de batería de la herramienta y cárguelo.

NOTA:

- El momento en que la lámpara de energía de la batería comience a parpadear o se encienda dependerá de la temperatura en el lugar de trabajo y las condiciones del cartucho de batería.

MONTAJE

PRECAUCIÓN:

- Asegúrese siempre de que la herramienta esté apagada y el cartucho de batería extraído antes de realizar cualquier trabajo en la herramienta.

Eliminación del polvo

PRECAUCIÓN:

- Vacíe el aspirador antes de que se llene demasiado, o la fuerza de succión se debilitará.
- Asegúrese de vaciar el polvo del interior del propio aspirador. En caso contrario, es posible que el filtro de esponja se obstruya o el motor se dañe.
- No tire nunca el tapón de polvo porque deberá ser utilizado siempre que se use la bolsa de polvo o el paquete de papel.

- Presione el botón para abrir la cubierta frontal. Abrirla hasta que se oiga un chasquido permite una detención positiva en esa posición. (Fig. 6)

NOTA:

- El aspirador ha sido construido de tal manera que la cubierta frontal se soltará cuando se trate de abrirla a la fuerza a un ángulo de más de 90°. Si la cubierta frontal se suelta, insértela en su sitio en la junta de la cubierta frontal. (Fig. 7)

PRECAUCIÓN:

- Cuando vaya a cerrar la cubierta frontal, tenga cuidado de no pillarse los dedos.
- Saque el tapón de polvo de color naranja y la bolsa de polvo juntos al mismo tiempo. (Fig. 8)
 - Quite el tapón de polvo y vacíe el aspirador. (Fig. 9 y 10)

Bolsa de polvo y paquete de papel

Instale la bolsa de polvo o bien el paquete de papel antes de utilizar el aspirador.

Utilice el tapón de polvo cuando instale la bolsa de polvo o el paquete de papel.

La bolsa de polvo se puede utilizar muchas veces repetidamente limpiándola.

El paquete de papel es de tipo desechable. Tire el paquete de papel entero sin vaciarlo cuando se haya llenado.

Instalación de la bolsa de polvo

Utilice el tapón de polvo cuando instale la bolsa de polvo. Tenga cuidado de no confundir la parte superior con la parte inferior porque son diferentes la una a la otra. (Fig. 11)

- Inserte la protuberancia de la bolsa de polvo en la ranura del tapón de polvo como se muestra en la figura. (Fig. 12)
- No hay distinción entre las partes superior e inferior de la bolsa de polvo. Puede insertar la protuberancia de cualquiera de sus partes en la ranura inferior del tapón de polvo. (Fig. 13)
- Sobreponga el armazón del tapón de polvo sobre el de la bolsa de polvo. (Fig. 14)
- Ponga el tapón de polvo y la bolsa de polvo juntos dentro de la cavidad del aspirador en la misma dirección que la indicada por la flecha del tapón de polvo. Insértelos a tope en las ranuras de la cavidad del aspirador. (Fig. 15)
- Ponga toda la parte de tela de la bolsa de polvo dentro de la propia herramienta. (Fig. 16)
- Cierre la cubierta frontal completamente. (Fig. 17)

Instalación del paquete de papel

1. Desdoble la entrada del paquete de papel antes de colocarla en el tapón de polvo. (Fig. 18)

Utilice el tapón de polvo también cuando instale el paquete de papel. Tenga cuidado de no confundir el lado superior con el lado inferior porque son diferentes el uno del otro. (Fig. 19)

2. Inserte el saliente del paquete de papel en la acanaladura del tapón de polvo como se muestra en la figura. (Fig. 20)
3. No hay distinción entre los lados superior e inferior del paquete de papel. Puede insertar el saliente de cualquiera de los lados en la acanaladura inferior del tapón de polvo. (Fig. 21)
4. Solape el bastidor del tapón de polvo con el del paquete de papel. (Fig. 22)
5. Ponga el tapón de polvo y el paquete de papel juntos en la cavidad del aspirador en la misma dirección que la flecha del tapón de polvo. Insértelos a fondo en las ranuras de la cavidad del aspirador. (Fig. 23)
6. Ponga toda la parte del contenedor del paquete de papel dentro de la propia herramienta. (Fig. 24)
7. Cierre la cubierta frontal completamente.

PRECAUCIÓN:

- Si se olvida de instalar la bolsa de polvo o el paquete de papel, o si no instala el tapón de polvo junto con la bolsa de polvo o el paquete de papel a fondo en las ranuras o si utiliza una bolsa rota o rasgada, podrá permitir al polvo entrar en el motor. Esto podrá resultar en un fallo del motor.
- No doble el cartón en su abertura cuando instale el paquete de papel.
- No tire nunca el tapón de polvo porque deberá ser utilizado repetidamente siempre que se use la bolsa de polvo o el paquete de papel.
- El paquete de papel para el aspirador es un componente importante para mantener el rendimiento de la herramienta. La utilización de otro paquete de papel distinto del genuino podrá ocasionar humos o ignición.

OPERACIÓN

PRECAUCIÓN:

- Para conectar accesorios, tales como boquillas, gire e inserte el accesorio en la dirección mostrada por la flecha para cerciorarse de que la conexión es segura durante la utilización. Para desconectar el accesorio, gire y extraiga también en la dirección mostrada por la flecha. (Fig. 25)

Limpieza (Succión)

Boquilla (Fig. 26)

Coloque la boquilla para limpiar mesas, escritorios, muebles, etc. La boquilla se desliza fácilmente.

Boquilla + Tubo de extensión (Tubo recto) (Fig. 27)

El tubo de extensión se encaja entre la boquilla y el propio aspirador. Esta disposición resulta útil para limpiar un suelo estando de pie.

Boquilla para esquinas (Fig. 28)

Encaje la boquilla para esquinas para limpiar esquinas y resquicios de un automóvil o mueble.

Boquilla para esquinas + Tubo de extensión (Tubo recto) (Fig. 29)

En espacios reducidos donde el propio aspirador no puede entrar, o en lugares altos difíciles de alcanzar, utilice esta disposición.

Limpieza sin boquilla (Fig. 30)

Puede recoger partículas y polvo sin la boquilla.

MANTENIMIENTO

PRECAUCIÓN:

- Asegúrese siempre de que la herramienta está apagada antes de intentar realizar una inspección o mantenimiento.

Después del uso

NOTA:

- Si pone el aspirador contra la pared sin ningún otro soporte el aspirador podrá caerse y dañarse. (Fig. 31)

Limpieza

De vez en cuando, limpie el exterior (cuerpo del aspirador) del aspirador utilizando un paño humedecido en agua jabonosa. Limpie también la abertura de succión, área de montaje de la bolsa de polvo/paquete de papel y el tapón de polvo. (Fig. 32)

PRECAUCIÓN:

- No utilice nunca gasolina, bencina, disolvente, alcohol o similares. Podría producir descoloración, deformación o grietas.

Lave la bolsa de polvo con agua jabonosa cuando esté obstruida con polvo y la potencia del aspirador disminuya. Séquela completamente antes de utilizarla. Una bolsa no secada suficientemente podrá ocasionar una succión deficiente y acortar la vida de servicio del motor. (Fig. 33)

NOTA:

- El paquete de papel es de tipo desechable.

Cuando el filtro de esponja esté obstruido con polvo, quítelo del aspirador y después límpielo o lávelo en agua.

Desmontaje e instalación del filtro de esponja

(Fig. 34 y 35)

Para desmontar el filtro de esponja, quite la bolsa de polvo o el paquete de papel y después agárrelo con los dedos y extraígallo.

Presione hacia dentro todo el borde del filtro de esponja contra la pared rebajada dentro del área de montaje de la bolsa de polvo/paquete de papel.

PRECAUCIÓN:

- Después de limpiar el filtro de esponja, asegúrese de instalarlo en el aspirador. Si lo ha lavado en agua, séquelo antes de instalarlo. Un filtro de esponja insuficientemente seco puede acortar la vida de servicio del motor.

Colgador de pared para la aspiradora inalámbrica

Accesorios opcionales

NOTA:

- El tornillo para montar el soporte no está incluido. Prepare un tornillo apropiado para el material en el que se va a atornillar.

Coloque el colgador de pared para la aspiradora inalámbrica en una pared, viga o columna de madera dura, donde el colgador de pared para la aspiradora inalámbrica se pueda sujetar firmemente. Asegúrese siempre de que el colgador de pared para la aspiradora inalámbrica está colocado firmemente antes de colgar la aspiradora. (Fig. 36)

Cosas a comprobar antes de solicitar reparación

| Síntoma | Área a investigar | Método de fijación |
|--------------------------|---|--|
| Poca potencia de succión | <ul style="list-style-type: none"> • ¿Está la bolsa de polvo o el paquete de papel lleno de polvo? • ¿Está la bolsa de polvo obstruida? • ¿Está el paquete de papel obstruido? • ¿Está descargado el cartucho de batería? | <ul style="list-style-type: none"> • Vacíe la bolsa de polvo o el paquete de papel. • Vacíe el polvo o lave la bolsa de polvo. • Reemplace el paquete de papel. • Cargue el cartucho de batería. |
| No funciona | <ul style="list-style-type: none"> • ¿Está descargado el cartucho de batería? | <ul style="list-style-type: none"> • Cargue el cartucho de batería. |

011566

NOTA:

- No intente reparar el aspirador usted mismo.

Para mantener la SEGURIDAD y FIABILIDAD del producto, las reparaciones, el mantenimiento y los ajustes deberán ser realizados por un Centro de Servicio Autorizado de Makita, siempre con piezas de repuesto de Makita.

ACCESORIOS OPCIONALES

PRECAUCIÓN:

- Estos accesorios o acoplamientos están recomendados para utilizar con la aspiradora Makita especificada en este manual. La utilización de cualquier otro accesorio o acoplamiento podrá suponer un riesgo de sufrir heridas personales. Utilice los accesorios o acoplamientos solamente para el propósito que han sido diseñados.

Si necesita cualquier tipo de asistencia para más detalles en relación con estos accesorios, pregunte al centro de servicio Makita local.

- Tubo de extensión (Tubo recto)
- Boquilla
- Boquilla para alfombra
- Cepillo para estanterías
- Boquilla para esquinas
- Cepillo redondo
- Manguera flexible
- Paquete de papel
- Colgador de pared para la aspiradora inalámbrica
- Colector ciclónico
- Batería y cargador genuinos de Makita

NOTA:

- Algunos elementos de la lista podrán estar incluidos en el paquete de la herramienta como accesorios estándar. Pueden variar de un país a otro.

Colector ciclónico (Fig. 37)

Acerca del colector ciclónico

La utilización de la aspiradora con el colector ciclónico instalado reduce la cantidad de polvo que entra en la bolsa de polvo, lo que ayuda a evitar que la fuerza de succión se debilite. Además, la limpieza después de la utilización también se simplifica.

PRECAUCIÓN:

- **No cuelgue la aspiradora en el colgador de pared a lo bruto ni cuelgue otro aparato aparte de la aspiradora.**

PRECAUCIÓN:

- **Asegúrese siempre de que la herramienta está apagada y el cartucho de batería ha sido retirado antes de realizar cualquier trabajo en la herramienta.** Si el cartucho de batería se deja insertado, la aspiradora podrá ponerse en marcha inesperadamente y resultar en heridas.
- **Limpie el filtro de malla del colector ciclónico y la bolsa de polvo de la unidad de la aspiradora cuando se obstruyan.** Continuar utilizando estando obstruidos podrá resultar en recalentamiento o humo.

AVISO:

- **Cuando el colector ciclónico esté colocado, no utilice la aspiradora en posición horizontal u orientada hacia arriba.** Si lo hace podrá ocasionar que el filtro de malla se obstruya.
- **Utilice siempre la aspiradora con la bolsa de polvo instalada, aun cuando utilice el colector ciclónico.** La utilización de la aspiradora sin la bolsa de polvo instalada podrá resultar en un mal funcionamiento del motor.

NOTA:

- Compruebe que el colector ciclónico, la aspiradora, y el tubo recto están bloqueados debidamente antes de utilizar.
- Vacíe el recipiente para polvo del colector ciclónico y la bolsa de polvo de la aspiradora cuando se haya acumulado polvo. Continuar utilizando resultará en una debilitación de la fuerza de succión.

Extracción del polvo

Quando el polvo se haya acumulado hasta la línea de lleno del recipiente para polvo, siga el procedimiento de abajo y deseche el polvo.

1. Sujete el recipiente para polvo firmemente, mantenga presionados los dos botones, y retire el recipiente para polvo. (Fig. 38)
2. Deseche el polvo de dentro del recipiente para polvo y retire cualquier resto de polvo adherido a la superficie del filtro de malla.
3. Inserte el recipiente para polvo a fondo hasta que los dos botones se bloqueen con un chasquido. (Fig. 39)

NOTA:

- Compruebe que el colector ciclónico, la aspiradora, y el tubo recto están todos conectados firmemente antes de reiniciar la operación.
- Si la fuerza de succión no se recupera incluso después de desechar el polvo y limpiar el filtro de malla, compruebe si se ha acumulado polvo en la bolsa de polvo de la aspiradora o si se ha producido obturación.

Limpieza

Cuando el recipiente para polvo se ensucie o el filtro de malla se obstruya, retírelos y lávelos con agua. (Consulte "Extracción del polvo" para ver el procedimiento de extracción).

Seque las partes completamente antes de volver a instalar y utilizar. **(Fig. 40)**

Cuando el filtro de malla se ensucie mucho, límpielo siguiendo los procedimientos siguientes.

1. Gire el filtro de malla hacia la izquierda y retírelo mientras los ganchos están desbloqueados. **(Fig. 41)**
2. Retire el polvo del filtro de malla y después lávelo con agua. Después de eso, séquelo completamente.
3. Inserte el filtro de malla en la base mientras los ganchos están alineados con la abertura. Gire el filtro de malla hacia la derecha hasta que los ganchos se bloqueen con un chasquido. Asegúrese de que el filtro de malla está instalado firmemente. **(Fig. 42)**

AVISO

- Este aparelho pode ser utilizado por crianças com idade a partir de 8 anos e por pessoas com capacidades físicas, sensoriais ou mentais reduzidas ou falta de experiência e conhecimento, se tiverem recebido supervisão ou instruções relativamente à utilização do aparelho de forma segura e tiverem compreendido os perigos envolvidos.
- As crianças não devem brincar com o aparelho. A limpeza e manutenção pelo utilizador não devem ser efetuadas por crianças sem supervisão.
- Consulte o capítulo “ESPECIFICAÇÕES” para ficar a saber a referência de tipo da bateria.
- Consulte a secção “Instalar ou remover a bateria” para saber como remover ou instalar a bateria.
- Quando eliminar a bateria, remova-a da ferramenta e elimine-a num local seguro. Siga os regulamentos locais relacionados com a eliminação de baterias.
- Se a ferramenta não for utilizada durante um período de tempo prolongado, a bateria deve ser removida da ferramenta.
- Não coloque a bateria em curto-circuito.
- Consulte o capítulo “MANUTENÇÃO” para obter as informações adequadas sobre as precauções a ter durante a manutenção pelo utilizador.

Explicação geral

| | | | | | |
|----|------------------------------|----|----------------------------------|----|--|
| 1 | Indicador vermelho | 13 | Lado superior do protector de pó | 25 | Cavidade |
| 2 | Botão | | pó | 26 | Suporte de parede para aspirador de pó a bateria |
| 3 | Bateria | 14 | Lado inferior do protector de pó | 27 | Tubo reto |
| 4 | Botão OFF | 15 | Encaixe | 28 | Acessório de ciclone |
| 5 | Botão HIGH/LOW | 16 | Colector de pó | 29 | Bocal de sucção |
| 6 | Luz da bateria | 17 | Encaixe inferior | 30 | Linha de enchimento máximo |
| 7 | Lâmpada | 18 | Recipiente do aspirador | 31 | Caixa do pó |
| 8 | Luzes indicadoras | 19 | Saco de papel | 32 | Botão (dois locais) |
| 9 | Botão de verificação | 20 | Bocal | 33 | Filtro de rede |
| 10 | Cobertura frontal | 21 | Aspirador | 34 | Gancho |
| 11 | Articulação da tampa frontal | 22 | Tubo extensor | 35 | Entrada |
| 12 | Protector de pó | 23 | Bocal para cantos | | |
| | | 24 | Filtro de esponja | | |

ESPECIFICAÇÕES

| Modelo | | DCL142 | DCL182 | DCL182F |
|---------------------|----------------------|----------------|--------------|---------|
| Capacidade | com o colector de pó | 0,50 L | | |
| | com o saco de papel | 0,33 L | | |
| Utilização contínua | HIGH | Aprox. 20 min. | | |
| | LOW | Aprox. 40 min. | | |
| Comprimento total | | 986 mm | 1.004 mm | |
| Peso líquido | | 1,3 - 1,5 kg | 1,3 - 1,6 kg | |
| Tensão nominal | | C.C. 14,4 V | C.C. 18 V | |

- Devido ao nosso programa contínuo de pesquisa e desenvolvimento, estas especificações podem ser alteradas sem aviso prévio.
- As especificações podem variar de país para país.
- O peso não inclui os acessórios mas a(s) bateria(s). Os pesos combinados mais leve e mais pesado do aparelho e da(s) bateria(s) são indicados na tabela.

Bateria e carregador aplicável

| | | |
|------------|--|---|
| Bateria | Modelo CC14,4 V | BL1415N / BL1430B / BL1440 / BL1460B |
| | Modelo CC18 V | BL1815N / BL1820B / BL1830B / BL1840B / BL1850B / BL1860B |
| Carregador | DC18RC / DC18RD / DC18RE / DC18SD / DC18SE / DC18SF / DC18SH | |

- Algumas das baterias e carregadores listados acima poderão não estar disponíveis, dependendo da sua região de residência.

AVISO: Utilize apenas as baterias e carregadores listados acima. A utilização de quaisquer outras baterias e carregadores pode causar ferimentos e/ou um incêndio.

END315-1

Símbolos

A seguir são apresentados os símbolos que podem ser utilizados para o equipamento. Certifique-se de que compreende o seu significado antes da utilização.



- Leia o manual de instruções.



- Apenas para países da UE
Devido à presença de componentes perigosos no equipamento, os resíduos de equipamentos elétricos e eletrônicos, acumuladores e baterias podem ter um impacto negativo no meio ambiente e na saúde humana. Não elimine aparelhos elétricos e eletrônicos ou baterias juntamente com resíduos domésticos!
De acordo com a Diretiva europeia relativa aos resíduos de equipamentos elétricos e eletrônicos, acumuladores e baterias, bem como a respetiva adaptação à legislação nacional, os resíduos de equipamentos elétricos e eletrônicos, acumuladores e baterias devem ser armazenados separadamente e entregues num ponto de recolha separado para resíduos municipais, que opere de acordo com os regulamentos de proteção ambiental. Tal é indicado pelo símbolo de contenedor de lixo com rodas barrado com uma cruz colocado no equipamento.

ENE017-1

Utilização a que se destina

Este aspirador serve para colectar pó seco.

ENA007-2

AVISOS DE SEGURANÇA DO ASPIRADOR DE PÓ A BATERIA

AVISO: IMPORTANTE! LEIA COM ATENÇÃO todos os avisos de segurança e todas as instruções ANTES DA UTILIZAÇÃO. Caso não siga os avisos e instruções, pode apanhar um choque elétrico, provocar um incêndio e/ou ferimentos graves.

1. Não exponha à chuva. Guarde dentro de casa.
2. Não permita que seja utilizado como brinquedo. Tenha cuidado especialmente quando o aparelho for utilizado por crianças ou próximo delas.
3. Utilize-o somente de acordo com as instruções deste manual. Utilize somente os acessórios recomendados pelo fabricante.
4. Não utilize com uma bateria danificada. Se o aparelho não funcionar corretamente, for derrubado, danificado, deixado ao ar livre ou cair na água, leve-o ao centro de assistência.
5. Não manuseie o aparelho com as mãos molhadas.

6. Não coloque nenhum objeto nas aberturas. Não o utilize com uma abertura bloqueada; mantenha-o limpo, sem poeira, pelos, cabelos ou qualquer outra coisa que possa reduzir o fluxo de ar.
7. Mantenha os cabelos, roupas largas, dedos e outras partes do corpo afastadas das aberturas e das peças em movimento.
8. Desligue todos os controlos antes de retirar a bateria.
9. Tenha cuidado especialmente ao limpar escadas.
10. Não utilize para aspirar líquidos inflamáveis ou combustíveis, tal como gasolina, nem utilize em áreas onde esses produtos podem estar presentes.
11. Utilize somente o carregador fornecido pelo fabricante para recarregar.
12. Não utilize para aspirar algo que está a queimar ou a soltar fumo, tal como cigarros, fósforos ou cinzas quentes.
13. Não utilize sem o saco para pó e/ou os filtros devidamente instalados.
14. Não carregue a bateria ao ar livre.
15. Recarregue apenas com o carregador especificado pelo fabricante. Um carregador que é adequado para um tipo de conjunto de baterias poderá criar um risco de incêndio quando utilizado com outro conjunto de baterias.
16. Utilize ferramentas elétricas apenas com conjuntos de baterias especificamente concebidos. A utilização de quaisquer outros conjuntos de baterias poderá criar um risco de ferimentos e incêndio.
17. Quando (o) conjunto de baterias não estiver a ser utilizado, mantenha-o afastado de outros objetos de metal, tais como cliques de papel, moedas, chaves, pregos, parafusos ou outros objetos de metal pequenos que possam estabelecer ligação de um terminal a outro.
18. Mediante condições abusivas, o líquido poderá ser ejetado da bateria; evite o contacto. Caso ocorra o contacto acidentalmente, lavar com água.
19. Não utilize um conjunto de baterias ou uma ferramenta que se encontrem danificados ou modificados. As baterias danificadas ou modificadas poderão exibir um comportamento imprevisível, resultando em incêndio, explosão ou risco de lesão.
20. Não exponha um conjunto de baterias ou uma ferramenta a incêndio ou temperatura excessiva. A exposição a um incêndio ou a uma temperatura superior a 130 °C poderá causar uma explosão.
21. Siga todas as instruções de carregamento e não carregue o conjunto de baterias ou ferramenta fora da amplitude de temperaturas especificada nas instruções. O carregamento impróprio ou a temperaturas fora da amplitude especificada poderá danificar a bateria e aumentar o risco de incêndio.

GUARDE ESTAS INSTRUÇÕES.

REGRAS DE SEGURANÇA ADICIONAIS

Este aparelho destina-se à utilização doméstica.

1. Antes de utilizar o aparelho, leia cuidadosamente este manual de instruções bem como o manual do carregador.
2. Não aspire os seguintes artigos:
 - Artigos quentes, tais como cigarros acesos ou faíscas/pó de metal produzidos ao esmerilar/cortar metal
 - Materiais inflamáveis, tais como gasolina, diluentes, benzeno, querosene ou tinta
 - Materiais explosivos como nitroglicerina
 - Materiais inflamáveis ou de auto-ignição, tais como alumínio, zinco, magnésio, titânio, fósforo ou celulósido
 - Sujidade húmida, água, óleo, etc.
 - Artigos rígidos com arestas cortantes, tais como aparas de madeira, metais, pedras, vidros, pregos, pinos e lâminas de barbear
 - Pó para solidificar, como cimento ou tóner
 - Pó condutivo, tal como metal ou carbono
 - Partículas minúsculas como de betão
 Isso pode provocar incêndio, ferimentos e/ou danos à propriedade.
3. Desligue o aspirador imediatamente se notar qualquer funcionamento anormal.
4. Se deixar cair ou bater o aspirador, inspeccione cuidadosamente para ver se há rachaduras ou danos antes de utilizar.
5. Não aproxime de fogões nem de outras fontes de calor.
6. Não bloqueie os orifícios de entrada e saída de ar.

GUARDE ESTAS INSTRUÇÕES.

ENC007-16

INSTRUÇÕES DE SEGURANÇA IMPORTANTES PARA A BATERIA

1. Antes de utilizar a bateria, leia todas as instruções e etiquetas de precaução no (1) carregador de bateria (2) bateria e (3) produto que utiliza a bateria.
2. Não desmonte ou manipule a bateria. Pode resultar num incêndio, em calor excessivo ou numa explosão.
3. Se o tempo de funcionamento se tornar excessivamente curto, pare o funcionamento imediatamente. Pode resultar em sobreaquecimento, possíveis queimaduras e mesmo explosão.
4. Se entrar eletrólito nos seus olhos, lave-os com água e consulte imediatamente um médico. Pode resultar em perda de visão.
5. Não coloque a bateria em curto-circuito:
 - (1) Não toque nos terminais com qualquer material condutor.
 - (2) Evite guardar a bateria juntamente com outros objetos metálicos tais como pregos, moedas, etc.
 - (3) Não exponha a bateria à água ou chuva. Um curto-circuito pode ocasionar um enorme fluxo de corrente, sobreaquecimento, possíveis queimaduras e mesmo estragar-se.

6. Não guarde nem utilize a ferramenta e a bateria em locais onde a temperatura pode atingir ou exceder 50°C.
7. Não queime a bateria mesmo que esteja estragada ou completamente gasta. A bateria pode explodir no fogo.
8. Não pregue, corte, esmague, atire, deixe cair a bateria, nem bata a bateria contra um objeto rijo. Esta conduta pode resultar num incêndio, em calor excessivo ou numa explosão.
9. Não utilize uma bateria danificada.
10. As baterias de íões de lítio contidas na ferramenta são sujeitas aos requisitos da DGL (Dangerous Goods Legislation - Legislação de bens perigosos).

Para o transporte comercial, por exemplo, por terceiros ou agentes de expedição, têm de ser observados os requisitos referentes à embalagem e etiquetagem.

Para preparação do artigo a ser expedido, é necessário consultar um perito em materiais perigosos. Tenha ainda em conta a possibilidade de existirem regulamentos nacionais mais detalhados. Coloque fita-cola ou tape os contactos abertos e embale a bateria de tal forma que não possa mover-se dentro da embalagem.
11. Quando eliminar a bateria, remova-a da ferramenta e elimine-a num local seguro. Siga os regulamentos locais relacionados com a eliminação de baterias.
12. Utilize as baterias apenas com os produtos especificados pela Makita. Instalar as baterias em produtos não-conformes poderá resultar num incêndio, calor excessivo, explosão ou fuga de eletrólito.
13. Se a ferramenta não for utilizada durante um período de tempo prolongado, a bateria deve ser removida da ferramenta.
14. Durante e após a utilização, a bateria pode aquecer, o que pode provocar queimaduras ou queimaduras a baixa temperatura. Preste atenção ao manuseamento de baterias quentes.
15. Não toque no terminal da ferramenta imediatamente após a utilização, pois pode ficar suficientemente quente para provocar queimaduras.
16. Não permita a adesão de aparas, pó ou sujidade nos terminais, nos orifícios e nas ranhuras da bateria. Pode resultar no fraco desempenho ou na avaria da ferramenta ou bateria.
17. A menos que a ferramenta suporte a utilização perto de linhas elétricas de alta tensão, não utilize a bateria perto de linhas elétricas de alta tensão. Pode resultar no mau funcionamento ou na avaria da ferramenta ou bateria.
18. Mantenha a bateria afastada das crianças.

GUARDE ESTAS INSTRUÇÕES.

PRECAUÇÃO:

- Utilize apenas baterias genuínas da Makita. A utilização de baterias não genuínas da Makita ou de baterias que foram alteradas, pode resultar no rebentamento da bateria provocando incêndios, ferimentos pessoais e danos. Além disso, anulará a garantia da Makita no que se refere à ferramenta e ao carregador Makita.

Conselhos para manter a máxima vida útil da bateria

1. Carregue a bateria antes que esteja completamente descarregada. Pare sempre o funcionamento da ferramenta e carregue a bateria quando notar menos poder na ferramenta.
2. Nunca carregue uma bateria completamente carregada. Carregamento excessivo diminui a vida útil da bateria.
3. Carregue a bateria à temperatura ambiente de 10°C – 40°C. Deixe que uma bateria quente arrefeça antes de a carregar.
4. Quando não utilizar a bateria, remova-a da ferramenta ou do carregador.
5. Carregue a bateria se não a utilizar durante um longo período de tempo (mais de seis meses).

DESCRIÇÃO FUNCIONAL

PRECAUÇÃO:

- Certifique-se sempre de que a ferramenta está desligada e a bateria retirada antes de regular ou verificar qualquer função na ferramenta.
- Ao colocar a bateria, tome cuidado para não prender o(s) dedo(s) entre o aspirador e a bateria, como ilustrado no diagrama. Poderá sofrer ferimentos no(s) dedo(s). (Fig. 1)

Instalar ou retirar a bateria (Fig. 2)

PRECAUÇÃO:

- Desligue sempre a ferramenta antes de instalar ou retirar a bateria.
- **Segure firmemente na ferramenta e no cartucho da bateria quando instalar ou retirar o cartucho da bateria.** Se não segurar firmemente na ferramenta e no cartucho da bateria pode dar origem a que escorreguem das suas mãos e daí resultar danos para a ferramenta e para o cartucho da bateria e ferimentos corporais.

Para retirar a bateria, deslize-a da ferramenta deslizando o botão na parte da frente da bateria.

Para instalar a bateria, alinhe a lingueta na bateria com a ranhura na caixa e deslize-a para o seu lugar. Insira-o por completo até bloquear no lugar com um pequeno estalido. Se conseguir ver o indicador vermelho no lado superior do botão, não está completamente colocada.

PRECAUÇÃO:

- Instale sempre o cartucho da bateria por completo até o indicador vermelho não ser visto. Se assim não for, pode acidentalmente cair da ferramenta ferindo-o a si ou alguém próximo.
- Não instale o cartucho da bateria fazendo força. Se a bateria não deslizar facilmente é porque não foi colocada correctamente.

Sistema de protecção da bateria

O aspirador é equipado com um sistema de protecção que desactiva o consumo de energia automaticamente a fim de prolongar a sua vida útil.

O aspirador pode parar durante o funcionamento se a mesmo e/ou a bateria se encontrar nas seguintes circunstâncias. Isso é devido à activação do sistema de protecção e não é sinal de avaria no aspirador.

- Se ocorrer a sobrecarga do aspirador:

Solte o gatilho do interruptor, elimine a causa da sobrecarga e carregue no gatilho outra vez para reiniciar.

- Se a carga restante da bateria estiver baixa: Recarregue a bateria.

Acção do interruptor (Fig. 3)

Para ligar o aspirador, simplesmente prima o botão "HIGH/LOW". Para desligar, prima o botão "OFF". Para alterar a velocidade do aspirador, prima o botão "HIGH/LOW". A velocidade aumenta ao premir este botão pela primeira vez e diminui ao premir pela segunda vez; a partir de então, cada vez que preme o botão, o ciclo de velocidade alta/baixa é repetido alternadamente.

Acender a luz (Fig. 4)

Apenas para o modelo DCL182F

PRECAUÇÃO:













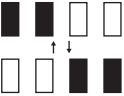


- Nunca olhe directamente para a luz. A luz directa provoca danos nos olhos.

Para ligar a luz, prima simplesmente o botão "HIGH/LOW". Para desligar a luz, prima o botão "OFF".

Indicação da capacidade restante da bateria (Fig. 5)

Apenas para as baterias com o indicador

Prima o botão de verificação no cartucho da bateria para indicar a capacidade restante da bateria. As luzes indicadoras acendem durante alguns segundos.

| Luzes indicadoras | | | Capacidade restante |
|---|---|--|-------------------------------------|
|  Acesa |  Apagada |  A piscar | |
|  | | | 75% a 100% |
|  |  | | 50% a 75% |
|  |  | | 25% a 50% |
|  |  | | 0% a 25% |
|  |  | | Carregue a bateria. |
|  |  |  | A bateria pode ter tido uma avaria. |

015658

NOTA:

- Dependendo das condições de utilização e da temperatura ambiente, a indicação pode diferir ligeiramente da capacidade real.

Luz da bateria (Fig. 3)

- Quando a carga restante da bateria está baixa, a luz da bateria pisca.
- Quando a capacidade da bateria diminui ainda mais, a ferramenta pára durante o funcionamento e a luz da bateria acende-se por uns dez segundos. Retire a bateria da ferramenta e recarregue-a.

NOTA:

- O momento que a luz da bateria começa a piscar ou acende-se depende da temperatura ambiente no local de trabalho e das condições da bateria.

ASSEMBLAGEM**PRECAUÇÃO:**

- Certifique-se sempre de que a ferramenta está desligada e a bateria retirada antes de executar qualquer manutenção na ferramenta.

Esvaziar**PRECAUÇÃO:**

- Esvazie o aspirador antes que fique muito cheio, pois do contrário a força de sucção diminuirá.
- Lembre-se de limpar o pó de dentro do próprio aspirador. Se não limpar, o filtro de esponja pode ficar obstruído ou o motor pode ser danificado.
- Não descarte o protector de pó, pois ele deve ser usado sempre que instalar o colector de pó ou o saco de papel.

1. Carregue no botão para abrir a tampa frontal. Abri-la até ouvir um clique permite uma parada positiva naquela posição. (Fig. 6)

NOTA:

- O aspirador é construído de tal modo que a tampa frontal se desprende quando se tenta forçá-la aberta em um ângulo de mais de 90°. Se a tampa frontal sair, introduza-a de volta na articulação. (Fig. 7)

PRECAUÇÃO:

- Tenha cuidado para não prender os dedos ao fechar a tampa frontal.
2. Tire ambos o protector de pó alaranjado e o colector de pó juntos, ao mesmo tempo. (Fig. 8)
 3. Retire o protector de pó e esvazie o aspirador. (Fig. 9 e 10)

Colector de pó e saco de papel

Instale o colector de pó ou o saco de papel antes de utilizar o aspirador.

Utilize o protector de pó quando instalar o colector de pó ou o saco de papel.

O colector de pó pode ser utilizado repetidas vezes desde que seja limpo.

O saco de papel é descartável. Quando estiver cheio, deite fora o saco de papel inteiro, sem esvaziar.

Instalar o colector de pó

Utilize o protector de pó quando instalar o colector de pó. Tenha cuidado para não confundir o lado superior com o lado inferior, pois são diferentes. (Fig. 11)

1. Insira a saliência do colector de pó no encaixe do protector, como ilustrado. (Fig. 12)
2. Não há distinção entre os lados superior e inferior do colector de pó. Pode-se inserir a saliência de qualquer um dos lados no encaixe inferior do protector de pó. (Fig. 13)
3. Junte os dois sobrepondo a borda do protector de pó com a do colector de pó. (Fig. 14)
4. Coloque o protector e o colector de pó juntos no recipiente do aspirador, no mesmo sentido que o indicado pela seta no protector de pó. Insira ambos nos encaixes do recipiente do aspirador o máximo possível. (Fig. 15)

5. Coloque toda a parte de tecido do colector de pó dentro do aspirador. (Fig. 16)
6. Feche a tampa frontal totalmente. (Fig. 17)

Instalar o saco de papel

1. Desdobre a boca do saco de papel antes de o instalar no protector de pó. (Fig. 18)

Utilize também o protector de pó quando instala o saco de papel. Tenha cuidado para não confundir o lado superior com o lado inferior, pois são diferentes. (Fig. 19)

2. Encaixe a saliência do saco de papel na ranhura do protector de pó, como ilustrado. (Fig. 20)
3. Não há distinção entre os lados superior e inferior do saco de papel. Pode-se inserir a saliência de qualquer um dos lados na ranhura inferior do protector de pó. (Fig. 21)
4. Junte os dois sobrepondo a borda do protector de pó com a do saco de papel. (Fig. 22)
5. Coloque o protector de pó e o saco de papel juntos no encaixe do recipiente do aspirador, no mesmo sentido que o indicado pela seta no protector de pó. Insira ambos nos encaixes do recipiente do aspirador o máximo possível. (Fig. 23)
6. Coloque o saco de papel inteiro dentro do aspirador. (Fig. 24)
7. Feche a tampa frontal totalmente.

PRECAUÇÃO:

- Se esquecer-se de instalar o colector de pó ou o saco de papel, se não encaixar bem o protector de pó junto com o colector de pó ou saco de papel ou se utilizar um saco rasgado ou danificado, o pó pode entrar no motor. Isso pode provocar a falha do motor.
- Não dobre a abertura do papelão ao instalar o saco de papel.
- Não deite fora o protector de pó, pois ele deve ser utilizado sempre que instalar o colector de pó ou o saco de papel.
- O saco de papel do aspirador é um componente importante para manter o bom desempenho da ferramenta. A utilização de sacos de papel não genuínos pode provocar fumo ou incêndio.

FUNCIONAMENTO**PRECAUÇÃO:**

- Para instalar os acessórios, tal como o bocal, coloque e gire o acessório no sentido da seta para que fique seguro durante a utilização. Para retirar o acessório, desenrosque-o no sentido da seta. (Fig. 25)

Limpeza (Sucção)**Bocal (Fig. 26)**

Instale o bocal para limpar mesas, secretárias, móveis, etc. O bocal encaixa com facilidade.

Bocal + tubo extensor (tubo recto) (Fig. 27)

O tubo extensor é conectado entre o bocal e o aspirador. Este arranjo é conveniente para manter uma boa postura ao fazer a limpeza de solos.

Bocal para cantos (Fig. 28)

Encaixe o bocal para cantos para limpeza de cantos e frestas de carros ou móveis.

Bocal para cantos + tubo extensor (tubo recto) (Fig. 29)

Utilize este arranjo para limpar em locais estreitos onde o aspirador não entra ou em locais altos.

Limpeza sem o bocal (Fig. 30)

É possível fazer a aspiração de pó sem o bocal.

MANUTENÇÃO

PRECAUÇÃO:

- Certifique-se sempre de que o aspirador esteja desligado antes de executar qualquer inspeção ou manutenção no mesmo.

Depois da utilização

NOTA:

- Se deixar o aspirador contra a parede sem qualquer apoio, o mesmo pode cair e provocar avarias. (Fig. 31)

Limpeza

Limpe periodicamente o exterior do aspirador (armação) com um pano humedecido em água e sabão. Limpe também a abertura de sucção, área de instalação do colector de pó/saco de papel e o protector de pó. (Fig. 32)

PRECAUÇÃO:

- Nunca utilize gasolina, benzina, diluente, álcool ou produtos semelhantes. Pode ocorrer a descoloração, deformação ou rachaduras.

Lave o colector de pó com água e sabão quando este estiver obstruído com pó e quando houver redução da potência. Seque-o completamente antes de utilizar. Se o colector que não estiver bem seco, pode prejudicar a sucção e diminuir a vida útil do motor. (Fig. 33)

NOTA:

- O saco de papel é descartável.

Pontos a verificar antes de solicitar assistência técnica

| Sintoma | Área a verificar | O que fazer |
|--------------------------|---|--|
| Potência de sucção fraca | <ul style="list-style-type: none">• O colector de pó ou o saco de papel está cheio?• O colector de pó está obstruído?• O saco de papel está obstruído?• A bateria está descarregada? | <ul style="list-style-type: none">• Esvazie o colector de pó ou o saco de papel.• Limpe ou lave o colector de pó.• Troque o saco de papel.• Recarregue a bateria. |
| Não funciona | <ul style="list-style-type: none">• A bateria está descarregada? | <ul style="list-style-type: none">• Recarregue a bateria. |

011566

NOTA:

- Não tente consertar o aspirador.

Para manter a SEGURANÇA e FIABILIDADE, as reparações e outras acções de manutenção ou ajustes devem ser executados pelos centros de assistência autorizados da Makita, utilizando sempre peças de substituição Makita.

ACESSÓRIOS OPCIONAIS

PRECAUÇÃO:

- Os acessórios ou peças especificados neste manual são recomendados para utilização com o seu aspirador Makita. A utilização de qualquer outro acessório ou conector pode apresentar riscos de ferimentos pessoais. Utilize o acessório ou conector apenas para o fim a que se destina.

Se desejar informações detalhadas acerca desses acessórios, solicite ao centro de assistência técnica Makita local.

Se o filtro de esponja estiver obstruído com pó, retire-o do aspirador e limpe ou lave-o com água.

Remoção e instalação do filtro de esponja (Fig. 34 e 35)

Para retirar o filtro de esponja, primeiro retire o colector de pó ou o saco de papel e, então, retire-o.

Prima a borda inteira do filtro de esponja contra o recesso na superfície interna da área de instalação do colector de pó/saco de papel.

PRECAUÇÃO:

- Certifique-se de instalar o filtro de esponja no aspirador depois de o limpar. Se lavar com água, deixe-o secar antes de instalar. Um filtro de esponja que não esteja bem seco pode diminuir a vida útil do motor.

Suporte de parede para aspirador de pó a bateria Acessório opcional

NOTA:

- O parafuso para montar o suporte não é incluído. Prepare um parafuso adaptável ao material a aparafusar.

Prenda o suporte de parede para aspirador de pó a bateria numa parede, viga ou coluna de madeira sólida, nas quais o suporte de parede para aspirador de pó a bateria possa ser fixo firmemente. Antes de pendurar o aspirador, assegure sempre que o suporte de parede para aspirador de pó a bateria está preso firmemente. (Fig. 36)

PRECAUÇÃO:

- Não pendure o aspirador no suporte de parede de forma violenta nem pendure outros eletrodomésticos além do aspirador.

- Tubo extensor (tubo recto)

- Bocal
- Bocal para carpete
- Escova para prateleiras
- Bocal para cantos
- Escova redonda
- Mangueira flexível
- Saco de papel
- Suporte de parede para aspirador de pó a bateria
- Acessório de ciclone
- Bateria e carregador genuínos da Makita

NOTA:

- Alguns itens da lista podem estar incluídos na embalagem da ferramenta como acessórios padrão. Eles podem variar de país para país.

Acessório de ciclone (Fig. 37)

Informações sobre o acessório de ciclone

A utilização do aspirador com o acessório de ciclone instalado reduz a quantidade de pó que entra no saco para pó, o que ajuda a evitar o enfraquecimento da força de sucção. Além disso, a limpeza após a utilização também é simples.

PRECAUÇÃO:

- **Certifique-se sempre de que a ferramenta está desligada e que a bateria foi removida antes de executar qualquer trabalho na ferramenta.** Se a bateria permanecer inserida, o aspirador pode arrancar inesperadamente e provocar ferimentos.
- **Limpe o filtro de rede do acessório de ciclone e o saco para pó da unidade do aspirador quando ficarem obstruídos.** A utilização continuada no estado obstruído pode dar origem a aquecimento ou fumo.

OBSERVAÇÃO:

- **Quando o acessório de ciclone estiver preso, não utilize o aspirador virado na horizontal ou na vertical.** Ao fazê-lo pode fazer com que o filtro de rede fique obstruído.
- **Utilize sempre o aspirador com o saco para pó instalado, mesmo quando utilizar o acessório de ciclone.** A utilização do aspirador sem o saco para pó instalado pode dar origem a uma avaria do motor.

NOTA:

- Verifique se o acessório de ciclone, o aspirador e o tubo reto estão devidamente bloqueados antes da utilização.
- Esvazie a caixa do pó do acessório de ciclone e o saco para pó do aspirador quando se tiver acumulado pó. A utilização continuada vai provocar o enfraquecimento da força de sucção.

Eliminar o pó

Quando o pó se tiver acumulado até à linha de enchimento máximo da caixa do pó, siga o procedimento seguinte e elimine o pó.

1. Segure a caixa do pó firmemente, pressione e mantenha os dois botões pressionados, e remova a caixa do pó. (Fig. 38)
2. Elimine o pó no interior da caixa do pó e remova quaisquer vestígios de pó e poeira que tenham aderido à superfície do filtro de rede.
3. Insira a caixa do pó completamente até os dois botões bloquearem com um clique. (Fig. 39)

NOTA:

- Verifique se o acessório de ciclone, o aspirador e o tubo reto estão firmemente ligados antes de reiniciar a operação.
- Se a força de sucção não melhorar mesmo após eliminar o pó e limpar o filtro de rede, verifique se o pó se acumulou no saco para pó do aspirador ou se ocorreu obstrução.

Limpeza

Quando a caixa do pó ficar suja ou o filtro de rede estiver obstruído, remova-os e lave-os com água. (Consulte "Eliminar o pó" para ficar a conhecer o procedimento de remoção.)

Seque as peças completamente antes de voltar a instalar e utilizar. (Fig. 40)

Quando o filtro de rede ficar muito sujo, limpe-o com os seguintes procedimentos.

1. Rode o filtro de rede para a esquerda e remova-o enquanto os ganchos estiverem desbloqueados. (Fig. 41)
2. Remova o pó existente no filtro de rede e, em seguida, lave-o com água. Em seguida, seque-o completamente.
3. Insira o filtro de rede na base enquanto os ganchos estiverem alinhados com a entrada. Rode o filtro de rede para a direita até os ganchos ficarem bloqueados com um clique. Certifique-se de que o filtro de rede está firmemente instalado. (Fig. 42)

ADVARSEL

- Dette apparat kan bruges af børn fra 8 år og derover og personer med nedsatte fysiske, sensoriske eller mentale evner eller manglende erfaring og viden, hvis de er under opsyn eller har modtaget instruktioner i sikker anvendelse af apparatet og forstår de farer, der er involveret.
- Børn må ikke lege med apparatet. Rengøring og brugervedligeholdelse må ikke udføres af børn uden opsyn.
- Se kapitlet "SPECIFIKATIONER" for batteriets typereference.
- Se afsnittet "Installation eller fjernelse af akkuen" for at finde ud af, hvordan man fjerner eller installerer batteriet.
- Når du bortskaffer akkuen, skal du afmontere den fra maskinen og bortskaffe den på et sikkert sted. Følg dine lokale regler vedrørende bortskaffelse af batterier.
- Hvis maskinen ikke skal bruges i en længere periode, skal batteriet fjernes fra maskinen.
- Akkuen må ikke kortsluttes.
- Se kapitlet "VEDLIGEHOLDELSE" for at få de relevante oplysninger om forholdsregler under brugervedligeholdelse.

Illustrationsoversigt

| | | |
|---------------------------|---------------------------|--------------------------|
| 1 Rød indikator | 13 Støvstoppers overside | 25 Tilbageliggende væg |
| 2 Knap | 14 Støvstoppers underside | 26 Vægmontering til akku |
| 3 Akku | 15 Rille | støvsuger |
| 4 Afbryderknap (OFF) | 16 Støvpose | 27 Lige rør |
| 5 Høj/lav-knap (HIGH/LOW) | 17 Nederste rille | 28 Hvirveltilbehør |
| 6 Akkueffektlampe | 18 Støvsugers tomrum | 29 Sugeåbning |
| 7 Lampe | 19 Papirpakke | 30 Fuld-linje |
| 8 Indikatorlamper | 20 Mundstykke | 31 Støvsbakke |
| 9 Kontrolknap | 21 Støvsuger | 32 Knap (to steder) |
| 10 Fordæksel | 22 Forlængerstav | 33 Trådsi |
| 11 Frontdækselled | 23 Hjørnemundstykke | 34 Krog |
| 12 Støvstopper | 24 Svampefilter | 35 Åbning |

SPECIFIKATIONER

| Model | | DCL142 | DCL182 | DCL182F |
|-------------------------|-------------------|--------------|--------------|---------|
| Kapacitet | med en støvpose | 0,50 L | | |
| | med en papirpakke | 0,33 L | | |
| Kontinuerlig anvendelse | HØJ (HIGH) | Ca. 20 min. | | |
| | LAV (LOW) | Ca. 40 min. | | |
| Længde i alt | | 986 mm | 1 004 mm | |
| Nettovægt | | 1,3 - 1,5 kg | 1,3 - 1,6 kg | |
| Mærkespænding | | D.C. 14,4 V | D.C. 18 V | |

- På grund af vores kontinuerlige forskningsprogrammer og udvikling, kan hosstående specifikationer blive ændret uden varsel.
- Specifikationer kan variere fra land til land.
- Vægten inkluderer akku(er), men ikke tilbehør. Vægten af den letteste og tungeste kombination af apparat og akku(er) er vist i tabellen.

Anvendelig akku og oplader

| | | |
|---------|--|---|
| Akku | 14,4 V DC-model | BL1415N / BL1430B / BL1440 / BL1460B |
| | 18 V DC-model | BL1815N / BL1820B / BL1830B / BL1840B / BL1850B / BL1860B |
| Oplader | DC18RC / DC18RD / DC18RE / DC18SD / DC18SE / DC18SF / DC18SH | |

- Nogle af de akkuer og opladere, der er angivet ovenfor, er muligvis ikke tilgængelige, afhængigt af hvilket område du bor i.

ADVARSEL: Brug kun de akkuer og opladere, der er angivet ovenfor. Brug af andre akkuer og opladere kan medføre personskaade og/eller brand.

Symboler

Følgende viser de symboler, der muligvis anvendes til udstyret. Vær sikker på, at De forstår deres betydning inden brugen.



- Læs brugervejledningen.



- Kun for lande inden for EU
På grund af tilstedeværelsen af farlige komponenter i udstyret kan affald af elektrisk og elektronisk udstyr, akkumulatører og batterier have en negativ indvirkning på miljøet og folkesundheden.

Bortskaf ikke elektriske og elektroniske apparater eller batterier sammen med husholdningsaffald!

I overensstemmelse med EF-direktiv om affaldshåndtering af elektrisk og elektronisk udstyr og om akkumulatører og batterier og affaldsakkumulatører og -batterier, og i overensstemmelse med national lovgivning, skal brugt elektrisk udstyr, batterier og akkumulatører opbevares separat og leveres til et separat indsamlingssted for kommunalt affald, der er etableret i henhold til bestemmelserne om miljøbeskyttelse.

Dette er angivet ved symbolet på den krydsede skrædespand, der er placeret på udstyret.

ENE017-1

Korrekt anvendelse

Denne støvsuger er beregnet til opugning af tørt støv.

ENA007-2

SIKKERHEDSADVARSLER FOR AKKU STØVSUGER

ADVARSEL: VIGTIGT! LÆS OMHYGGELEGT alle sikkerhedsadvarsler og alle instruktioner FØR BRUGEN. Hvis advarslerne og instruktionerne ikke overholdes, kan det medføre elektrisk stød, brand og/eller alvorlig personskade.

1. Udsæt ikke for regn. Opbevares inden døre.
2. Må ikke benyttes som legetøj. Nøje overvågning er nødvendig, hvis den anvendes af eller i nærheden af børn.
3. Anvend kun som beskrevet i denne brugsvejledning. Anvend kun tilbehørsdele, som anbefales af fabrikanten.
4. Anvend ikke med et beskadiget batteri. Hvis apparatet ikke virker, som det skal, er blevet tabt, beskadiget, efterladt uden døre eller har været tabt i vand, skal det indleveres til et servicecenter.
5. Rør ikke ved apparatet med våde hænder.
6. Stik ikke nogen genstande ind i åbningerne. Anvend ikke med blokerede åbninger. Hold dem fri for støv, fnug, hår og alt, hvad der kan hindre luftstrømmen.
7. Hold hår, løse beklædningsgenstande, fingre og alle kroppsdele på god afstand af åbningerne og de bevægende dele.

8. Deaktiver alle kontroller, inden batteriet tages ud.
9. Udvis ekstra forsigtighed ved rengøring på trapper.
10. Anvend ikke til at opsuge brændbare eller letantændelige væsker som for eksempel benzin, og anvend ikke på steder, hvor disse væsker kan forefindes.
11. Anvend kun nye opladere, som leveres af fabrikanten, til genopladning.
12. Opsug ikke noget, som brænder eller ryger, for eksempel cigaretter, tændstikker eller varm aske.
13. Anvend ikke, uden at støvposen og/eller filtrene er sat på plads.
14. Oplad ikke batteriet uden døre.
15. Genoplud kun med den oplader, der er angivet af fabrikanten. En oplader, der er beregnet til én type akku, kan forårsage risiko for brand, hvis den bruges med en anden akku.
16. Brug kun maskiner sammen med de specifikt tilhørende akku'er. Brug af andre akku'er kan medføre risiko for personskade og brand.
17. Når akkuen ikke anvendes, skal du holde den på afstand af andre metalgenstande som f.eks. papirclips, mønter, nøgler, søm, skrue eller andre små metalgenstande, der kan skabe forbindelse fra én terminal til en anden.
18. Ved misbrug kan der sprøjte væske ud fra batteriet. Undgå kontakt. Skyl med vand i tilfælde af kontakt.
19. Undlad at bruge en akku eller maskine, der er beskadiget eller ændret. Beskadigede eller ændrede batterier kan fungere uforudsigeligt og medføre brand, eksplosion eller risiko for personskade.
20. Undlad at udsætte en akku eller maskine for brand eller høje temperaturer. Udsættelse for brand eller temperaturer på over 130 °C kan medføre eksplosion.
21. Følg alle instruktioner vedrørende opladning, og undlad at oplade akkuen eller maskinen uden for det temperaturinterval, der er angivet i instruktionerne. Opladning, der udføres forkert eller ved temperaturer uden for det angivne temperaturinterval, kan beskadige batteriet og medføre øget risiko for brand.

GEM DENNE BRUGSANVISNING.

ENB127-1

SUPPLERENDE SIKKERHEDSREGLER

Denne støvsuger er beregnet til husholdningsbrug.

1. Læs denne brugsvejledning og instruktionerne for opladning grundigt inden brugen.
2. Undlad at samle de følgende materialer op:
 - Varme materialer, som for eksempel tændte cigaretter eller gnister/metalstøv, som er frembragt ved slibning/skæring af metal
 - Brændbare materialer som for eksempel benzin, fortynder, rensbenzin, petroleum og maling
 - Eksplosive materialer som for eksempel nitroglycerin

- Antændelige materialer som for eksempel aluminium, zink, magnesium, titan, fosfor eller celluloid
 - Vådt snavs, vand, olie og lignende
 - Hårde genstande med skarpe kanter, som for eksempel træspåner, metal, sten, glas, knappenåle søm og barberblade
 - Pulver, der størkner, som for eksempel cement og toner
 - Ledende støv som for eksempel metal eller kulfiber
 - Fine partikler som for eksempel betonstøv
- Dette kan være årsag til brand, tilskadekomst og/eller materiel skade.
3. Hold øjeblikkeligt op med at anvende støvsugeren, hvis noget unormalt registreres.
 4. Hvis De kommer til at tabe eller støde til støvsugeren, skal De omhyggeligt efterse den for revner eller anden beskadigelse inden brugen.
 5. Hold støvsugeren på god afstand af ovne og andre varmekilder.
 6. Undlad at blokere indsugningsåbningen og ventilationshullerne.

GEM DENNE BRUGSANVISNING.

ENC007-16

VIGTIGE SIKKERHEDSINSTRUKTIONER FOR AKKUEN

1. Læs alle instruktioner og advarselmærkater på (1) akku-opladeren, (2) akkuen og (3) produktet, som anvender akku.
2. Adskil eller ændr ikke akkuen. Det kan muligvis resultere i en brand, overdreven varme eller eksplosion.
3. Hold straks op med anvendelsen, hvis brugstiden er blevet stærkt afkortet. Forsat anvendelse kan resultere i risiko for overophedning, forbrændinger og endog eksplosion.
4. Hvis De har fået elektrolytvæske i øjnene, skal De straks skylle den ud med rent vand og derefter øjeblikkeligt søge lægehjælp. I modsat fald kan De miste synet.
5. Vær påpasselig med ikke at komme til at kortslutte akkuen:
 - (1) Rør ikke ved terminalerne med noget ledende materiale.
 - (2) Undgå at opbevare akkuen i en beholder sammen med andre genstande af metal, for eksempel søm, mønter og lignende.
 - (3) Udsæt ikke akkuen for vand eller regn. Kortslutning af akkuen kan forårsage en kraftig øgning af strømmen, overophedning, mulige forbrændinger og endog værktøjstop.
6. Opbevar og brug ikke maskinen og akkuen på steder, hvor temperaturen muligvis kan nå eller overstige 50°C.
7. Lad være med at brænde akkuen, selv ikke i tilfælde, hvor den har lidt alvorlig skade eller er fuldstændig udtjent. Akkuen kan eksplodere, hvis man forsøger at brænde den.

8. Slå ikke søm i, skær ikke i, knus, kast, tab ikke akkuen og stød ikke akkuen mod en hård genstand. Sådant adfærd kan muligvis resultere i en brand, overdreven varme eller eksplosion.
9. Anvend ikke en beskadiget akku.
10. De indbyggede litium-ion-batterier er underlagt lovkrav vedrørende farligt gods. Ved kommerciel transport, f.eks. af tredjeparts transportselskaber, skal særlige krav til forpakning og mærkning overholdes. Ved forberedelse af udstyret til forsendelse skal du kontakte en ekspert i farligt gods. Overhold også eventuel mere detaljeret national lovgivning. Tape eller tildæk åbne kontakter, og pak batteriet på en måde, så det ikke kan flytte sig rundt i pakningen.
11. Når akkuen bortskaffes, skal du fjerne den fra maskinen og bortskaffe den på et sikkert sted. Følg de lokale love vedrørende bortskaffelsen af batterier.
12. Brug kun batterierne med de produkter, som Makita specificerer. Hvis batterierne installeres i ikke-kompatible produkter, kan det medføre brand, kraftig varme, eksplosion eller udsivning af elektrolyt.
13. Hvis maskinen ikke skal bruges i længere tid ad gangen, skal du fjerne batteriet fra maskinen.
14. Akkuen kan muligvis under og efter brug være varm, hvilket kan forårsage forbrændinger eller lavtemperaturforbrændinger. Vær påpasselig med håndtering af varme akkuer.
15. Rør ikke terminalen på maskinen straks efter brug, da den bliver varm nok til at forårsage forbrændinger.
16. Sørg for at spåner, støv eller jord ikke sætter sig fast inde i terminalerne, hullerne og rillerne på akkuen. Det kan muligvis medføre dårlig ydelse eller nedbrud af maskinen eller akkuen.
17. Medmindre maskinen understøtter brugen i nærheden af elektriske højspændingsledninger, skal du ikke anvende akkuen i nærheden af elektriske højspændingsledninger. Det kan muligvis medføre funktionsfejl på eller nedbrud af maskinen eller akkuen.
18. Opbevar batteriet utilgængeligt for børn.

GEM DENNE BRUGSANVISNING.

FORSIGTIG:

- Brug kun originale batterier fra Makita. Brug af uoriginale Makita-batterier, eller batterier som er blevet ændret, kan muligvis medføre brud på batteriet, hvilket kan forårsage brand, personskade eller beskadigelse. Det ugyldiggør også Makita-garantien for Makita-maskinen og opladeren.

Tips til opnåelse af maksimal akku-levetid

1. Oplad akkuen, inden den er helt afladet. Stop altid værktøjet, og oplad akkuen, hvis De bemærker, at værktøjeffekten er aftagende.
2. Genoplad aldrig en fuldt opladet akku. Overopladning vil afkorte akkuens levetid.
3. Oplad akkuen ved stuetemperatur ved 10°C – 40°C. Lad altid en varm akku få tid til at køle af, inden den oplades.
4. Når du ikke anvender akkuen, skal du fjerne den fra maskinen eller opladeren.
5. Oplad akkuen, hvis De ikke skal bruge den i længere tid (mere end seks måneder).

FUNKTIONSBESKRIVELSE

FORSIGTIG:

- Sørg altid for at maskinen er slukket, og at akkuen er taget ud, før der udføres justering eller kontrol af funktioner på maskinen.
- Vær påpasselig med ikke at få fingrene (fingrene) i klemme mellem støvsugeren og batteriet som vist på illustrationen, når De sætter batteriet i. Hvis De får fingrene (fingrene) i klemme, kan De komme til skade. (Fig. 1)

Isætning og udtagning af akku (Fig. 2)

FORSIGTIG:

- Sluk altid for maskinen, før akkuen installeres eller tages ud.
- **Hold godt fast i maskinen og akkuen, når akkuen installeres eller fjernes.** Forsømmelse af at holde godt fast i maskinen og akkuen, kan bevirke, at disse glider ud af hænderne på Dem, hvilket kan resultere i beskadigelse af maskinen og akkuen samt tilskadekomst.

Akkuen fjernes ved at man skyder den ud af maskinen, mens man skyder knappen foran på akkuen i stilling. Installer akkuen ved at rette dens tunge ind efter rillen i huset. Sæt den hele vejen ind, så den låses på plads med et lille klik. Hvis den røde indikator kan ses på den øverste side af knappen, er den ikke helt låst.

FORSIGTIG:

- Sæt altid akkuen helt ind, så den røde indikator ikke kan ses. Hvis akkuen ikke sættes i på denne måde, kan den ved et uheld falde ud af maskinen, og eventuelt forvolde personskaade på Dem selv eller andre.
- Sæt ikke akkuen i med magt. Hvis ikke akkuen glider i uden besvær, er det fordi, at den vender forkert.

Akku-beskyttelsessystem

Støvsugeren er udstyret med et beskyttelsessystem, som automatisk afbryder udgangsstrømmen med det formål at forlænge levetiden.

Støvsugeren kan stoppe under anvendelsen, hvis den og/eller akkuen er i den følgende situation. Dette er forårsaget af aktivering af beskyttelsessystemet og er ikke tegn på problemer med støvsugeren.

- Hvis støvsugeren er overbelastet:
 Frigør på dette tidspunkt afbryderknappen og eliminer årsagen til overbelastningen og træk derefter afbryderknappen igen for at starte igen.
- Når den tilbageværende akku-kapacitet er blevet lav:
 Genoplad akkuen.

Afbryderbetjening (Fig. 3)

For at starte støvsugeren, behøver man blot at trykke på "HIGH/LOW"-knappen. For at afbryde, trykkes på "OFF"-knappen. For at ændre støvsugerens hastighed, trykkes der på "HIGH/LOW"-knappen. Det første tryk på denne knap er for høj hastighed og det andet tryk for lav hastighed, og hvert efterfølgende tryk på denne knap gentager høj/lav hastighedszyklen skiftevis.

Sådan tændes lampen (Fig. 4)

Kun for model DCL182F

FORSIGTIG:

- Se aldrig direkte ind i lyset. Direkte lys beskadiger dine øjne.

Du tænder for lampen ved blot at trykke på "HIGH/LOW"-knappen. Du slukker for lampen ved at trykke på "OFF"-knappen.

Angivelse den tilbageværende akku-kapacitet (Fig. 5)

Kun for akkuer med indikatoren

Tryk på kontrolknappen på akkuen for at angive den tilbageværende akku-kapacitet. Indikatorlamperne lyser i et par sekunder.

| Indikatorlamper | | | Tilbageværende kapacitet |
|-----------------|---------|---------|-----------------------------------|
| Tændt | Slukket | Blinker | |
| ■ ■ ■ ■ | | | 75% til 100% |
| ■ ■ ■ □ | | | 50% til 75% |
| ■ ■ □ □ | | | 25% til 50% |
| ■ □ □ □ | | | 0% til 25% |
| ▣ □ □ □ | | | Oplad akkuen. |
| ■ ■ □ □ | ↑ ↓ | □ □ ■ ■ | Akkuen kan have fungeret forkert. |

015658

BEMÆRK:

- Afhængigt af brugsforholdene og den omgivende temperatur, kan indikeringen afvige en smule i forhold til den faktiske kapacitet.

Akkueffektlampe (Fig. 3)

- Når den tilbageværende akku-kapacitet er blevet lav, vil akkueffektlampen begynde at blinke.
- Når den tilbageværende akku-kapacitet er blevet meget lavere, vil maskinen stoppe under arbejdet og akkueffektlampen vil lyse i omkring ti sekunder. Fjern på dette tidspunkt akkuen fra maskinen og oplad den.

BEMÆRK:

- Hvornår akkueffektlampen begynder at blinke eller lyse, afhænger af temperaturen på arbejdsstedet og akkuens tilstand.

SAMLING

FORSIGTIG:

- Sørg altid for at maskinen er slukket, og at akkuen er taget ud, før der udføres noget arbejde på maskinen.

Bortskaffelse af stov

FORSIGTIG:

- Tøm støvsugeren, inde den bliver for fuld ellers formindskes sugkraften.

- Sørg for at tømme støvet ud af selve støvsugeren. Forsømmelse af at gøre dette kan bevirke, at svampefilteret tilstoppes eller motoren lider skade.
 - Smid aldrig støvstopperen ud, da den bør anvendes, hver gang enten støvposen eller papirpakken anvendes.
1. Tryk på knappen for at åbne frontdækslet. Hvis det åbnes, indtil der høres et klik, vil et positivt stop i den stilling være muligt. (Fig. 6)

BEMÆRK:

- Støvsugeren er konstrueret på en sådan måde, at frontdækslet går af, hvis man prøver på at tvinge frontdækslet åbent i en vinkel på mere end 90°. Hvis frontdækslet går af, skal det sættes på plads igen i frontdækslets led. (Fig. 7)

FORSIGTIG:

- Vær særlig påpasselig med ikke at få fingrene i klemme, når De lukker frontdækslet.
2. Træk begge de orangefarvede støvstopper og støvposen ud sammen og samtidigt. (Fig. 8)
 3. Fjern støvstopperen og tøm støvsugeren. (Fig. 9 og 10)

Støvpose og papirpakke

Installer enten støvpose eller papirpakke, inden støvsugeren tages i brug.

Anvend støvstopperen, når enten støvposen eller papirpakken installeres.

Støvposen kan anvendes mange gange i rækkefølge ved at man rengør den.

Papirpakken er af smid-væk typen. Smid hele papirpakken væk uden at tømme den, når den er blevet fuld.

Installation af støvposen

Anvend støvstopperen, når støvposen installeres. Vær påpasselig med ikke at komme til at bytte om på overside og underside, da de ikke er ens. (Fig. 11)

1. Sæt fremspringet på støvposen ind i rillen på støvstopperen som vist på illustrationen. (Fig. 12)
2. Der er ingen forskel på den øverste og nederste side på støvposen. Fremspringet på begge sider kan sættes ind i den nederste rille på støvstopperen. (Fig. 13)
3. Overlap rammen på støvstopperen med støvposens ramme. (Fig. 14)
4. Sæt støvstopperen og støvposen sammen ind i støvsugerens tomrum i den retning, som er angivet med pilen på støvstopperen. Sæt dem hele vejen ind i åbningerne i støvsugerens tomrum. (Fig. 15)
5. Anbring hele stofdelen af støvposen inden i selve støvsugeren. (Fig. 16)
6. Luk frontdækslet helt. (Fig. 17)

Isætning af papirpakken

1. Åbn indgangen på papirpakken, inden De sætter den på støvstopperen. (Fig. 18)
- Anvend også støvstopperen, når papirpakken monteres. Vær påpasselig med ikke ved en fejl at regne oversiden for undersiden, da de er forskellige fra hinanden. (Fig. 19)
2. Sæt fremspringet på papirpakken ind i rillen på støvstopperen som vist på illustrationen. (Fig. 20)
 3. Der er ingen forskel på papirpakkens øvre og nedre sider. Dens fremspring kan sættes ind begge sider i den nedre rille på støvstopperen. (Fig. 21)

4. Overlap støvstopperens ramme med papirpakkens ramme. (Fig. 22)
5. Anbring støvstopperen og papirpakken sammen i støvsugerrummet i samme retning som pilen på støvstopperen. Sæt dem hele vejen ind i sprækkerne i støvsugerrummet (Fig. 23)
6. Anbring hele papirpakkens beholderdel inden i selve maskinen. (Fig. 24)
7. Luk frontdækslet helt.

FORSIGTIG:

- Forglemmelse af at montere støvposen eller papirpakken, forsømmelse af at sætte støvstopperen ind sammen med støvposen eller papirpakken hele vejen ind i sprækkerne eller anvendelse af en adslagt eller revnet pose kan bevirke, at der kommer støv ind i motoren. Dette kan resultere i motorsvigt.
- Undlad at folde pappet ved åbningen, når De monterer papirpakken.
- Smid aldrig støvstopperen væk, da den skal anvendes gentagne gange, hver gang støvposen eller papirpakken anvendes.
- Papirpakken til støvsugeren er en vigtig del til sikring af maskinens ydelse. Anvendelse af andre papirpakker end de ægte kan medføre røgdannelse eller antændelse.

ANVENDELSE

FORSIGTIG:

- For at tilslutte tilbehørsdele, som for eksempel mundstykket, skal man dreje og isætte tilbehørsdelen i retningen vist med pilen for at sikre, at den sidder fast under brugen. For at frigøre tilbehørsdelen, skal man ligeledes dreje og udtrække delen i retningen vist med pilen. (Fig. 25)

Rengøring (sugning)

Mundstykke (Fig. 26)

Sæt mundstykket på, når De vil rengøre borde, skriveborde, møbler og lignende. Mundstykket sættes nemt på.

Mundstykke + forlængerstav (lige rør) (Fig. 27)

Forlængerstaven kan sættes ind mellem mundstykket og selve støvsugeren. Dette arrangement er bekvemt ved rengøring af et gulv, så man ikke behøver bøje sig under støvsugningen.

Hjørnemundstykke (Fig. 28)

Monter hjørnemundstykket til rengøring af hjørner og sprækker i en bil eller møbler.

Hjørnemundstykke + forlængerstav (lige rør) (Fig. 29)

Anvend dette arrangement på trange steder, hvor selve støvsugeren ikke kan komme ind, eller i højden, hvor det er svært at nå op.

Rengøring uden mundstykke (Fig. 30)

Det er muligt at opsamle pulver og støv uden anvendelse af et mundstykke.

VEDLIGEHOVELSE

FORSIGTIG:

- Sørg altid for, at der er slukket for støvsugeren, inden inspektion eller vedligeholdelse påbegyndes.

Efter brug

BEMÆRK:

- Anbringelse af støvsugerens mod væggen uden anden støtte kan bevirke, at den vælter og lider skade. (Fig. 31)

Rengøring

Aftr fra tid til anden ydersiden (støvsugerens ydre) af støvsugerens med en klud, som er fugtet med sæbevand. Rengør sugeåbningen, støvposens/papirpakkens monteringsområde og støvstopperen. (Fig. 32)

FORSIGTIG:

- Anvend aldrig benzin, rensbenzin, fortynder, alkohol og lignende. Resultatet kan blive misfarvning, deformation eller revner.

Vask støvposen med sæbevand, hvis den er blevet tilstoppet af støv og støvsugerens ydelse er blevet svagere. Tør den grundigt inden ibrugtagning. En utilstrækkeligt tørret pose kan være årsag til dårlig sugning og afkorte motorens levetid. (Fig. 33)

BEMÆRK:

- Papirpakken er af smid-væk typen.

Hvis svampefilteret er tilstoppet af støv, skal det tages af støvsugerens og tørres af eller skylles med vand.

Aftagning og isætning af svampefilteret (Fig. 34 og 35)

Svampefilteret tages af ved at man fjerner støvposen eller papirpakken og derefter trykker det sammen og tager det ud.

Tryk hele kanten på svampefilteret ind mod den tilbage-trukne væg inden i støvposens/papirpakkens monteringsdel.

FORSIGTIG:

- Sørg for, når svampefilteret er rengjort, at installere det på støvsugerens. Hvis det er blevet skyllet med vand, skal det tørres, inden det installeres. Et utilstrækkeligt tørret svampefilter kan afkorte motorens levetid.

Vægmontering til akku støvsuger

Ekstraudstyr

BEMÆRK:

- Skruen til montering af holderen medfølger ikke. Hav en skrue klar, der passer til det materiale, den skal skrues ind i.

Fastgør vægmonteringen til akku støvsugerens på en hård trævæg, en bjælke eller søjle, hvor vægmonteringen til akku støvsugerens kan fastgøres forsvarligt. Sørg altid for, at vægmonteringen til akku støvsugerens er fastgjort forsvarligt, før du hænger støvsugerens op. (Fig. 36)

FORSIGTIG:

- Undlad at hænge støvsugerens voldsomt op på vægmonteringen eller at ophænge andre apparater end støvsugerens.

Ting, der skal kontrolleres, inden man bestiller reparation

| Symptom | Del, der skal undersøges | Fastgørelsesmetode |
|----------------|---|---|
| Svag sugekraft | <ul style="list-style-type: none">• Er støvposen eller papirpakken fuld af støv?• Er støvposen tilstoppet?• Er papirpakken tilstoppet?• Er akkuen afladet? | <ul style="list-style-type: none">• Tøm støvposen eller papirpakken.• Støv støvposen af eller vask den.• Brug en ny papirpakke.• Oplad akkuen. |
| Fungerer ikke | <ul style="list-style-type: none">• Er akkuen afladet? | <ul style="list-style-type: none">• Oplad akkuen. |

011566

BEMÆRK:

- Forsøg ikke selv at reparere støvsugerens.

For at opretholde produktets SIKKERHED og PÅLIDELIGHED bør reparation, vedligeholdelse og justering kun udføres af et Makita servicecenter med anvendelse af original Makita udskiftningsdele.

EKSTRAUDSTYR

FORSIGTIG:

- Dette ekstraudstyr eller tilbehørsdele anbefales til brug med Deres Makita støvsuger, som er specificeret i denne brugervejledning. Anvendelse af andet ekstraudstyr eller andre tilbehørsdele kan udgøre en risiko for personskeade. Anvend kun ekstraudstyr eller tilbehørsdele til det beregnede formål.

Henvend Dem gerne til det lokale Makita-servicecenter, hvis De har behov for hjælp med hensyn til flere detaljer om disse tilbehørsdele.

- Forlængerstav (lige rør)
- Mundstykke
- Mundstykke til støvsugning af tæppe

- Børste til støvsugning af hylder
- Hjørnemundstykke
- Rund børste
- Fleksibel slange
- Papirpakke
- Vægmontering til akku støvsuger
- Hvirveltilbehør
- Original Makita-akku og oplader

BEMÆRK:

- Nogle ting på denne liste kan være inkluderet i værktøjspakken som standardtilbehør. Det kan være forskellige fra land til land.

Hvirveltilbehør (Fig. 37)

Om hvirveltilbehøret

Brug af støvsugerens med hvirveltilbehøret monteret reducerer mængden af støv, som trænger ind i støvposen, hvilket hjælper med til at forhindre sugekraften i at svækkes. Endvidere er rengøring efter brug også nem.

FORSIGTIG:

- **Sørg altid for at maskinen er slukket, og at akkuen er taget ud, før der udføres noget arbejde på maskinen.** Hvis akkuen forbliver isat, kan støvsugeren muligvis starte uventet og medføre tilskadekomst.
- **Rengør trådsien i hvirveltilbehøret og støvposen i støvsugerenheden, når de bliver tilstoppet.** Forsat brug i den tilstoppede tilstand kan muligvis resultere i ophedning eller røg.

BEMÆRKNING:

- **Når hvirveltilbehøret er monteret, skal du ikke anvende støvsugeren i den vandrette eller opadvendte tilstand.** Dette kan medføre, at trådsien tilstoppes.
- **Brug altid støvsugeren med støvposen monteret, selv når du anvender hvirveltilbehøret.** Brug af støvsugeren uden støvposen monteret kan muligvis resultere i en motorfunktionsfejl.

BEMÆRK:

- Kontroller, at hvirveltilbehøret, støvsugeren og det lige rør er ordentligt låst inden brug.
- Tøm støvbakken i hvirveltilbehøret og støvposen i støvsugeren, når der er ophobet støv. Forsat brug vil resultere i svækket sugekraft.

Bortskaffelse af støv

Når der er ophobet støv op til fuld-linjen i støvbakken, skal du følge proceduren nedenfor og bortskaffe støvet.

1. Hold godt fast i støvbakken, tryk og hold på de to knapper og fjern støvbakken. (Fig. 38)
2. Bortskaf støvet inde i støvbakken og fjern alt støv og pulver, som sidder fast på overfladen af trådsien.
3. Sæt støvbakken helt ind indtil de to knapper låses med et klik. (Fig. 39)

BEMÆRK:

- Kontroller, at hvirveltilbehøret, støvsugeren og det lige rør alle er ordentligt tilsluttet inden genstart af betjening.
- Hvis sugekraften ikke genoprettes, selv efter bortskaffelse af støvet og rengøring af trådsien, skal du kontrollere, om der er ophobet støv i støvposen i støvsugeren, eller der er opstået tilstopning.

Rengøring

Når støvbakken bliver beskidt, eller trådsien er tilstoppet, skal du fjerne og vaske dem med vand. (Se "Bortskaffelse af støv" angående fjernelsesproceduren.)

Tør delene grundigt inden genmontering og ibrugtagning. (Fig. 40)

Når trådsien bliver meget beskidt, skal du rengøre den vha. de følgende procedurer.

1. Drej trådsien mod uret og fjern den, mens krogene ikke er låst. (Fig. 41)
2. Fjern støvet på trådsien og vask den derefter med vand. Tør den omhyggeligt efter dette.
3. Sæt trådsien ind i basen mens krogene er rettet ind med åbningen. Drej trådsien med uret indtil krogene låses med et klik. Sørg for, at trådsien er monteret forsvarligt. (Fig. 42)

ΠΡΟΕΙΔΟΠΟΙΗΣΗ

- Η συσκευή αυτή μπορεί να χρησιμοποιηθεί από παιδιά άνω των 8 ετών και άτομα με μειωμένες σωματικές, αισθητήριες ή διανοητικές ικανότητες ή που δεν έχουν πείρα και γνώσεις, αν επιτηρούνται ή τους έχουν δοθεί οδηγίες για την ασφαλή χρήση της συσκευής και κατανοούν τους κινδύνους που εμπλέκονται.
- Τα παιδιά δεν πρέπει να παίζουν με τη συσκευή. Οι εργασίες καθαρισμού και συντήρησης από το χρήστη δεν θα πρέπει να γίνονται από παιδιά χωρίς επιτήρηση.
- Για την αναφορά του τύπου της μπαταρίας, δείτε το κεφάλαιο «ΠΡΟΔΙΑΓΡΑΦΕΣ».
- Για τον τρόπο αφαίρεσης ή τοποθέτησης της μπαταρίας, δείτε την ενότητα «Τοποθέτηση ή αφαίρεση της κασέτας μπαταριών».
- Όταν απορρίπτετε την κασέτα μπαταριών, αφαιρέστε την από το εργαλείο και διαθέστε την σε ένα ασφαλές μέρος. Τηρήστε τους τοπικούς κανονισμούς που σχετίζονται με τη διάθεση της μπαταρίας.
- Αν δεν χρησιμοποιείτε το εργαλείο για μεγάλο χρονικό διάστημα, πρέπει να βγάλετε την μπαταρία από το εργαλείο.
- Μη βραχυκυκλώνετε την κασέτα μπαταριών.
- Για τις κατάλληλες λεπτομέρειες των προφυλάξεων κατά τη διάρκεια της συντήρησης από τον χρήστη, δείτε το κεφάλαιο «ΣΥΝΤΗΡΗΣΗ».

Περιγραφή γενικής άποψης

| | | |
|---|---------------------------------|---|
| 1 Κόκκινη ένδειξη | 13 Πάνω πλευρά αναστολέα σκόνης | 25 Τοίχωμα εσοχής |
| 2 Κουμπί | 14 Κάτω πλευρά αναστολέα σκόνης | 26 Επιτοίχια στερέωση για φορητή σκούπα |
| 3 Κασέτα μπαταρίας | 15 Εγκοπτή | 27 Ευθύς σωλήνας |
| 4 Κουμπί OFF (απενεργοποίηση) | 16 Σάκος σκόνης | 28 Προσάρτημα κυκλώνα |
| 5 Κουμπί ΥΨΗΛΟ/ΧΑΜΗΛΟ | 17 Κάτω εγκοπτή | 29 Εισαγωγή αναρρόφησης |
| 6 Ενδεικτική λυχνία φόρτισης μπαταρίας | 18 Κοιλότητα ηλεκτρικής σκούπας | 30 Γραμμή πληρότητας |
| 7 Λυχνία | 19 Χάρτινη σακούλα | 31 Θήκη σκόνης |
| 8 Ενδεικτικές λυχνίες | 20 Ακροφύσιο | 32 Κουμπί (δύο τοποθεσίες) |
| 9 Κουμπί ελέγχου | 21 Ηλεκτρικό σκουπάκι | 33 Κυψελωτό φίλτρο |
| 10 Μπροστινό κάλυμμα | 22 Ράβδος προέκτασης | 34 Γάντζος |
| 11 Σύνδεσμος στήριξης μπροστινού καλύμματος | 23 Ακροφύσιο γωνιών | 35 Θύρα |
| 12 Αναστολέας σκόνης | 24 Φίλτρο σπόγγου | |

ΤΕΧΝΙΚΑ ΧΑΡΑΚΤΗΡΙΣΤΙΚΑ

| Μοντέλο | | DCL142 | DCL182 | DCL182F |
|-----------------|--------------------|------------------|--------------|---------|
| Χωρητικότητα | με σάκο σκόνης | 0,50 L | | |
| | με χάρτινη σακούλα | 0,33 L | | |
| Συνεχής χρήση | ΥΨΗΛΟ | Περίπου 20 λεπτά | | |
| | ΧΑΜΗΛΟ | Περίπου 40 λεπτά | | |
| Συνολικό μήκος | | 986 mm | 1.004 mm | |
| Καθαρό βάρος | | 1,3 - 1,5 kg | 1,3 - 1,6 kg | |
| Ονομαστική τάση | | DC 14,4 V | DC 18 V | |

- Λόγω της συνέχισης του προγράμματός μας έρευνας και ανάπτυξης, οι εν λόγω προδιαγραφές υπόκεινται σε αλλαγές χωρίς προειδοποίηση.
- Τα τεχνικά χαρακτηριστικά μπορεί να διαφέρουν από χώρα σε χώρα.
- Το βάρος δεν περιλαμβάνει εξαρτήματα αλλά την(ις) κασέτα(ες) μπαταριών. Το μικρότερο και μεγαλύτερο βάρος των συνδυασμών της συσκευής και της(ων) κασέτας(ών) μπαταριών απεικονίζονται στον πίνακα.

Ισχύουσα κασέτα μπαταριών και φορτιστής

| | | |
|------------------|--|---|
| Κασέτα μπαταρίας | Μοντέλο D.C. 14,4 V | BL1415N / BL1430B / BL1440 / BL1460B |
| | Μοντέλο D.C. 18 V | BL1815N / BL1820B / BL1830B / BL1840B / BL1850B / BL1860B |
| Φορτιστής | DC18RC / DC18RD / DC18RE / DC18SD / DC18SE / DC18SF / DC18SH | |

- Ορισμένες από τις κασέτες και τους φορτιστές μπαταριών που αναγράφονται παραπάνω ίσως να μην είναι διαθέσιμοι, ανάλογα με την τοποθεσία κατοικίας σας.

ΠΡΟΕΙΔΟΠΟΙΗΣΗ: Να χρησιμοποιείτε μόνο τις κασέτες μπαταριών και τους φορτιστές που παρατίθενται ανωτέρω. Η χρήση οποιασδήποτε άλλης κασέτας μπαταριών ή φορτιστή μπορεί να προκαλέσει τραυματισμό ή/και πυρκαγιά.

END315-1

Σύμβολα

Παρακάτω παρουσιάζονται τα σύμβολα που μπορούν να χρησιμοποιηθούν για τον εξοπλισμό. Βεβαιωθείτε ότι κατανοείτε τη σημασία τους πριν από τη χρήση.



- Διαβάστε το εγχειρίδιο οδηγιών.



- Μόνο για τις χώρες της ΕΕ
Λόγω της παρουσίας των επικίνδυνων συστατικών μερών στον εξοπλισμό, ο απόβλητος ηλεκτρικός και ηλεκτρονικός εξοπλισμός, οι συσσωρευτές και οι μπαταρίες μπορεί να έχουν αρνητική επίδραση στο περιβάλλον και την ανθρώπινη υγεία. Μην απορρίπτετε τις ηλεκτρικές και ηλεκτρονικές συσκευές ή μπαταρίες μαζί με τα οικιακά απορρίμματα! Σύμφωνα με την Ευρωπαϊκή Οδηγία για τον απόβλητο ηλεκτρικό και ηλεκτρονικό εξοπλισμό και για τους συσσωρευτές και μπαταρίες και τους απόβλητους συσσωρευτές και μπαταρίες, καθώς και την προσαρμογή τους στην εθνική νομοθεσία, ο απόβλητος ηλεκτρικός εξοπλισμός, οι μπαταρίες και οι συσσωρευτές θα πρέπει να αποθηκεύονται ξεχωριστά και να παραδίδονται σε ξεχωριστό σημείο συλλογής για δημόσια απόβλητα, το οποίο λειτουργεί σύμφωνα με τους κανονισμούς για την προστασία του περιβάλλοντος. Αυτό υποδεικνύεται από το σύμβολο του διαγραμμένου τροχοφόρου κάδου που βρίσκεται αναρτημένο επάνω στον εξοπλισμό.

ENE017-1

Προοριζόμενη χρήση

Το εργαλείο προορίζεται για τη συλλογή ξηρής σκόνης.

ENA007-2

ΠΡΟΕΙΔΟΠΟΙΗΣΕΙΣ ΑΣΦΑΛΕΙΑΣ ΓΙΑ ΤΗ ΦΟΡΗΤΗ ΣΚΟΥΪΠΑ

ΠΡΟΕΙΔΟΠΟΙΗΣΗ: ΣΗΜΑΝΤΙΚΟ! ΔΙΑΒΑΣΤΕ ΠΡΟΣΕΚΤΙΚΑ όλες τις προειδοποιήσεις για την ασφάλεια και όλες τις οδηγίες ΠΡΙΝ ΑΠΟ ΤΗ ΧΡΗΣΗ. Η μη τήρηση των προειδοποιήσεων και οδηγιών μπορεί να καταλήξει σε ηλεκτροπληξία, πυρκαγιά ή/και σοβαρό τραυματισμό.

1. **Να μην εκτίθεται σε βροχή. Να φυλάσσεται σε εξωτερικό χώρο.**
2. **Δεν επιτρέπεται η χρήση της ως παιχνίδι. Απαιτείται ιδιαίτερη προσοχή κατά τη χρήση από ή κοντά σε παιδιά.**

3. **Να χρησιμοποιείται μόνο σύμφωνα με τις οδηγίες του παρόντος εγχειριδίου. Να χρησιμοποιούνται μόνο τα εξαρτήματα που συνιστά ο κατασκευαστής.**
4. **Να μη χρησιμοποιείται με μπαταρία που έχει υποστεί βλάβη. Αν η συσκευή δεν λειτουργεί όπως θα έπρεπε, έχει υποστεί πτώση ή βλάβη, έχει αφαιρεθεί σε εξωτερικό χώρο ή έχει πέσει μέσα σε νερό, να επιστραφεί σε κέντρο σέρβις.**
5. **Μην χειρίζεστε τη συσκευή με βρεγμένα χέρια.**
6. **Μην τοποθετείτε κανένα αντικείμενο μέσα στα ανοίγματα. Να μην χρησιμοποιείται αν παρουσιαστεί φράξιμο κάποιου ανοίγματος, να διατηρείται χωρίς ίχνη σκόνης, χνούδια, τρίχες και οτιδήποτε μπορεί να προκαλέσει μείωση της ροής αέρα.**
7. **Διατηρείτε τα μαλλιά, τα φαρδιά ρούχα και όλα τα μέρη του σώματός σας μακριά από τα ανοίγματα και κινούμενα μέρη.**
8. **Να απενεργοποιείτε όλα τα στοιχεία ελέγχου πριν από την αφαίρεση της μπαταρίας.**
9. **Να προσέχετε ιδιαίτερα, όταν καθαρίζετε σκαλοπάτια.**
10. **Να μην χρησιμοποιείται για τη συλλογή εύφλεκτων ή καύσιμων υγρών, όπως βενζίνη, ή σε χώρους παρουσία αυτών.**
11. **Για επαναφόρτιση, να χρησιμοποιείται μόνο ο φορτιστής που παρέχεται από τον κατασκευαστή.**
12. **Να μην χρησιμοποιείται για τη συλλογή οποιουδήποτε αντικείμενου καίγεται ή αναδίδει καπνό, όπως τσιγάρα, σπύρτα ή θερμές στάχτες.**
13. **Να μην χρησιμοποιείται χωρίς τη σακούλα σκόνης ή/και τα φίλτρα.**
14. **Μην φορτίζετε τη μπαταρία σε εξωτερικό χώρο.**
15. **Να επαναφορτίσετε μόνο με το φορτιστή που καθορίζεται από τον κατασκευαστή.** Ένας φορτιστής που είναι κατάλληλος για μια συγκεκριμένη κασέτα μπαταριών μπορεί να δημιουργήσει κίνδυνο πυρκαγιάς όταν χρησιμοποιείται με μια άλλη κασέτα μπαταριών.
16. **Να χρησιμοποιείτε ηλεκτρικά εργαλεία μόνο με ειδικά καθορισμένες κασέτες μπαταριών. Η χρήση κάθε άλλης κασέτας μπαταριών μπορεί να δημιουργήσει κίνδυνο τραυματισμού ή πυρκαγιάς.**
17. **Όταν δεν χρησιμοποιείται η κασέτα μπαταριών, διατηρήστε τη μακριά από άλλα μεταλλικά αντικείμενα, όπως συνδετήρες, κέρματα, κλειδιά, καρφιά, βίδες ή άλλα μικρά μεταλλικά αντικείμενα, με τα οποία μπορεί να δημιουργηθεί σύνδεση από τον έναν ακροδέκτη στον άλλον.**
18. **Υπό συνθήκες κατάχρησης, μπορεί να εξαχθεί υγρό από την μπαταρία. Να αποφεύγετε την επαφή. Αν συμβεί επαφή κατά λάθος, εκπλύνετε με νερό.**
19. **Μη χρησιμοποιείτε μια κασέτα μπαταριών ή εργαλείο που έχει καταστραφεί ή τροποποιηθεί. Οι κατεστραμμένες ή τροποποιημένες μπαταρίες μπορεί να παρουσιάζουν απρόβλεπτη συμπεριφορά που έχει ως αποτέλεσμα πυρκαγιά, έκρηξη ή κίνδυνο τραυματισμού.**

20. Μην εκθέτετε την κασέτα μπαταριών ή το εργαλείο σε πυρκαγιά ή υπερβολικά υψηλή θερμοκρασία. Η έκθεση στην πυρκαγιά ή στη θερμοκρασία άνω των 130 °C μπορεί να προκαλέσει έκρηξη.
21. Ακολουθήστε όλες τις οδηγίες φόρτισης και μην φορτίζετε την κασέτα μπαταριών ή το εργαλείο εκτός του θερμοκρασιακού εύρους που καθορίζεται στις οδηγίες. Η λανθασμένη φόρτιση ή η φόρτιση σε θερμοκρασίες εκτός του καθορισμένου εύρους μπορεί να προκαλέσει ζημιά στην μπαταρία και να αυξήσει τον κίνδυνο πυρκαγιάς.

ΦΥΛΑΞΤΕ ΤΙΣ ΟΔΗΓΙΕΣ ΑΥΤΕΣ.

ENB127-1

ΕΠΙΠΛΕΟΝ ΚΑΝΟΝΕΣ ΑΣΦΑΛΕΙΑΣ

Η συσκευή αυτή προορίζεται για οικιακή χρήση.

1. Διαβάστε προσεκτικά το παρόν εγχειρίδιο χρήσης όπως και το εγχειρίδιο χρήσης του φορτιστή πριν από τη χρήση.
2. Μην τα ακόλουθα υλικά:
 - Καυτά υλικά όπως αναμμένα τσιγάρα ή μεταλλική σκόνη/ρινιάματα που παράγονται από λείανση/κοπή μετάλλων
 - Ευφλεκτα υλικά όπως βενζίνη, διαλυτικό, πτερελαϊκό αιθέρα, κηροζίνη ή χρώματα
 - Εκρηκτικά υλικά όπως νιτρογλυκερίνη
 - Αναφλέξιμα υλικά όπως αλουμίνιο, ψευδάργυρο, μαγνήσιο, τιτάνιο, φώσφορο ή κημιματογραφικό φιλμ
 - Υγρές ακαθαρσίες, νερό, έλαιο ή παρόμοιες ουσίες
 - Αιχμηρά τεμάχια σκληρών υλικών, όπως ροκανίδια, μέταλλα, πέτρες, γυαλιά, καρφιά, πινέζες ή ξυραφάκια
 - Σκόνη η οποία σβωλιάζει όπως το τσιμέντο ή το τόνερ
 - Αγώγιμη σκόνη όπως μέταλλο ή άνθρακα
 - Μικρά σωματίδια όπως σκόνη σκυροδέματος

Αυτή η ενέργεια ενδέχεται να προκαλέσει πυρκαγιά, τραυματισμό ή/και ζημιά στην σε περιουσιακά στοιχεία.

3. Διακόψτε τη λειτουργία αμέσως, μόλις παρατηρήσετε οτιδήποτε μη φυσιολογικό.
4. Σε περίπτωση που το ηλεκτρικό σκουπάκι υποστεί πτώση ή κτύπημα, ελέγξτε το προσεκτικά για ρωγμές ή βλάβη πριν από τη λειτουργία.
5. Μην πλησιάζετε σε θερμάστρες ή άλλες πηγές θερμότητας.
6. Μη φράσετε την οπή εισαγωγής ή τις οπές αερισμού.

ΦΥΛΑΞΤΕ ΤΙΣ ΟΔΗΓΙΕΣ ΑΥΤΕΣ.

ENC007-16

ΣΗΜΑΝΤΙΚΕΣ ΟΔΗΓΙΕΣ ΑΣΦΑΛΕΙΑΣ ΓΙΑ ΚΑΣΕΤΑ ΜΠΑΤΑΡΙΩΝ

1. Πριν χρησιμοποιήσετε την κασέτα μπαταριών, διαβάστε όλες τις οδηγίες και σημειώσεις προφύλαξης (1) στον φορτιστή μπαταριών, (2) στην μπαταρία και (3) στο προϊόν που χρησιμοποιεί την μπαταρία.

2. Μην αποσυναρμολογήσετε ή παραβιάσετε την κασέτα μπαταριών. Μπορεί να έχει ως αποτέλεσμα πυρκαγιά, υπερθέρμανση ή έκρηξη.
3. Εάν ο χρόνος λειτουργίας έχει γίνει υπερβολικά βραχύς, σταματήστε τη λειτουργία αμέσως. Αλλιώς, μπορεί να έχει ως αποτέλεσμα κίνδυνο υπερθέρμανσης, πιθανά εγκαύματα ή ακόμη και έκρηξη.
4. Εάν ηλεκτρολύτης μπει στα μάτια σας, ξεπλύνετε τα με καθαρό νερό και ζητήστε ιατρική φροντίδα αμέσως. Αλλιώς, μπορεί να έχει ως αποτέλεσμα απώλεια της όρασης σας.
5. Μην βραχυκυκλώνετε την κασέτα μπαταριών:
 - (1) Μην αγγίζετε τους πόλους με οτιδήποτε αγώγιμο υλικό.
 - (2) Αποφεύγετε να αποθηκεύετε την κασέτα μπαταριών μέσα σε ένα δοχείο μαζί με άλλα μεταλλικά αντικείμενα όπως καρφιά, νομίσματα, κλπ.
 - (3) Μην εκθέτετε την κασέτα μπαταριών στο νερό ή στη βροχή.

Ένα βραχυκύκλωμα μπαταρίας μπορεί να προκαλέσει μεγάλη ροή ρεύματος, υπερθέρμανση, πιθανά εγκαύματα ακόμη και σοβαρή βλάβη.

6. Μην αποθηκεύετε και μην χρησιμοποιείτε το εργαλείο και την κασέτα μπαταριών σε τοποθεσίες όπου η θερμοκρασία μπορεί να φτάσει ή να ξεπεράσει τους 50°C.
7. Μην καίτε την κασέτα μπαταριών ακόμη και εάν έχει σοβαρή ζημιά ή είναι εντελώς φθαρμένη. Η κασέτα μπαταριών μπορεί να εκραγεί στη φωτιά.
8. Μην καρφώσετε, κόψετε, συνθλίψετε, πετάξετε ή ρίξετε κάτω την κασέτα μπαταριών, ούτε να χτυπήσετε ένα σκληρό αντικείμενο επάνω στην κασέτα μπαταριών. Τέτοια συμπεριφορά μπορεί να έχει ως αποτέλεσμα πυρκαγιά, υπερθέρμανση ή έκρηξη.
9. Μην χρησιμοποιείτε μπαταρία που έχει υποστεί ζημιά.
10. Οι μπαταρίες ιόντων λιθίου που περιέχονται υπόκεινται στις απαιτήσεις της νομοθεσίας για επικίνδυνα αγαθά.

Για εμπορικές μεταφορές, για παράδειγμα από τρίτα μέρη, πρέπει να τηρούνται οι διαμεταφορές, οι ειδικές απαιτήσεις στη συσκευασία και η επισήμανση.

Για προετοιμασία του στοιχείου που αποστέλλεται, είναι απαραίτητο να συμβουλευτείτε έναν ειδικό για επικίνδυνα υλικά. Επίσης, τηρήστε τους πιθανούς, πιο αναλυτικούς εθνικούς κανονισμούς.

Καλύψτε με αυτοκόλλητη ταινία ή κρύψτε τις ανοικτές επαφές και συσκευάστε την μπαταρία με τρόπο που να μην μπορεί να μετακινείται μέσα στη συσκευασία.

11. Όταν απορρίπτετε την κασέτα μπαταριών, αφαιρέστε την από το εργαλείο και διαθέστε την σε ένα ασφαλές μέρος. Τηρήστε τους τοπικούς κανονισμούς που σχετίζονται με τη διάθεση της μπαταρίας.
12. Χρησιμοποιήστε τις μπαταρίες μόνο με τα προϊόντα που καθορίζει η Makita. Αν τοποθετήσετε τις μπαταρίες σε μη συμβατά προϊόντα μπορεί να έχει ως αποτέλεσμα πυρκαγιά, υπερβολική θερμότητα, έκρηξη ή διαρροή ηλεκτρολύτη.

13. Αν δεν χρησιμοποιείτε το εργαλείο για μεγάλο χρονικό διάστημα, πρέπει να βγάλετε την μπαταρία από το εργαλείο.
14. Κατά τη διάρκεια και μετά τη χρήση, η κασέτα μπαταριών μπορεί να θερμανθεί, γεγονός που μπορεί να προκαλέσει εγκαύματα ή εγκαύματα από χαμηλή θερμοκρασία. Προσέχετε το χειρισμό των ζεστών κασετών μπαταριών.
15. Μην αγγίζετε τον ακροδέκτη του εργαλείου αμέσως μετά τη χρήση επειδή μπορεί να έχει ζεσταθεί αρκετά για να προκαλέσει εγκαύματα.
16. Μην αφήνετε θραύσματα, σκόνη ή βρομιά να κολλήσει στους ακροδέκτες, τις οπές και τις εγκοπές της κασέτας μπαταριών. Μπορεί να έχει ως αποτέλεσμα κακή απόδοση ή σπάσιμο του εργαλείου ή της κασέτας μπαταριών.
17. Εκτός αν το εργαλείο υποστηρίζει τη χρήση κοντά σε ηλεκτρικές γραμμές υψηλής τάσης, μην χρησιμοποιείτε την κασέτα μπαταριών κοντά σε ηλεκτρικές γραμμές υψηλής τάσης. Μπορεί να έχει ως αποτέλεσμα δυσλειτουργία ή σπάσιμο του εργαλείου ή της κασέτας μπαταριών.
18. ΚρΦυλάξτε την μπαταρία μακριά από παιδιά.

ΦΥΛΑΞΤΕ ΤΙΣ ΟΔΗΓΙΕΣ ΑΥΤΕΣ.

ΠΡΟΣΟΧΗ:

- Να χρησιμοποιείτε μόνο γνήσιες μπαταρίες της Makita. Η χρήση μη γνήσιων μπαταριών Makita, ή μπαταριών που έχουν τροποποιηθεί, μπορεί να έχει ως αποτέλεσμα τη ρήξη της μπαταρίας, προκαλώντας πυρκαγιά, προσωπικό τραυματισμό και βλάβη. Επίσης, θα ακυρωθεί η εγγύηση της Makita για το εργαλείο και φορητή Makita.

Συμβουλές για τη διατήρηση της μέγιστης ζωής μπαταρίας

1. Φορτίζετε την κασέτα μπαταριών πριν από την πλήρη αποφόρτιση της. Πάντοτε να σταματάτε τη λειτουργία του εργαλείου και να φορτίζετε την κασέτα μπαταριών όταν παρατηρείτε μειωμένη ισχύ εργαλείου.
2. Ποτέ μην επαναφορτίζετε μια πλήρως φορτισμένη κασέτα μπαταριών. Η υπερφόρτιση μειώνει την ωφέλιμη ζωή της μπαταρίας.
3. Να φορτίζετε την κασέτα μπαταριών σε θερμοκρασία δωματίου, δηλαδή στους 10°C έως 40°C. Αφήστε μια θερμή κασέτα μπαταριών να κρυώσει πριν την φορτίσετε.
4. Όταν δεν χρησιμοποιείτε την κασέτα μπαταριών, αφαιρέστε την από το εργαλείο ή τον φορητή.
5. Να φορτίζετε την κασέτα μπαταριών εάν δεν τη χρησιμοποιείτε για μεγάλη χρονική περίοδο (περισσότερο από έξι μήνες).

ΠΕΡΙΓΡΑΦΗ ΛΕΙΤΟΥΡΓΙΑΣ

ΠΡΟΣΟΧΗ:

- Πάντοτε βεβαιώνετε ότι το εργαλείο είναι σβηστό και η κασέτα μπαταρίας έχει αφαιρεθεί πριν ρυθμίσετε ή ελέγξετε κάποια λειτουργία στο εργαλείο.
- Φροντίστε ώστε να μην παγιδεύετε δάκτυλο(α) στο χώρο μεταξύ σκούπας και μπαταρίας, όπως υποδεικνύεται στο διάγραμμα, κατά τη φόρτωση της μπαταρίας. Η παγίδευση δακτύλων ενδέχεται να προκαλέσει τραυματισμό. (Εικ. 1)

Τοποθέτηση ή αφαίρεση της κασέτας μπαταρίας (Εικ. 2)

ΠΡΟΣΟΧΗ:

- Πάντοτε σβήνετε το εργαλείο πριν εγκαταστήσετε ή βγάλετε την κασέτα μπαταρίας.
- Κρατήστε το εργαλείο και την κασέτα μπαταρίας σταθερά κατά την τοποθέτηση ή αφαίρεση της κασέτας μπαταρίας. Αν δεν κρατάτε το εργαλείο και την κασέτα μπαταρίας σταθερά, μπορεί γλιστρήσουν από τα χέρια σας και να προκληθεί βλάβη στο εργαλείο και την κασέτα μπαταρίας και προσωπικός τραυματισμός.

Για να αφαιρέσετε την κασέτα μπαταρίας, βγάλτε την από το εργαλείο ενώ σύρετε το κουμπί στο εμπρόσθιο μέρος της κασέτας.

Για να εγκαταστήσετε την κασέτα μπαταρίας, ευθυγραμμίστε την γλώσσα στην κασέτα μπαταρίας με την αυλακία στην υποδοχή και τοποθετήστε την. Να την τοποθετείτε πλήρως μέχρι να ασφαλίσει στη θέση της, γεγονός που υποδεικνύεται με ένα χαρακτηριστικό ήχο. Εάν μπορείτε να δείτε την κόκκινη ένδειξη στην επάνω πλευρά του κουμπιού, δεν έχει κλειδώσει τελείως.

ΠΡΟΣΟΧΗ:

- Να τοποθετείτε πάντα την κασέτα μπαταρίας πλήρως μέχρι να μην βλέπετε την κόκκινη ένδειξη. Σε αντίθετη περίπτωση, ίσως πέσει κατά λάθος από το μηχανήμα, τραυματίζοντας εσάς ή κάποιον τρίτωρ σας.
- Μην τοποθετείτε την κασέτα μπαταρίας με βία. Εάν η κασέτα δεν γλιστράει μέσα εύκολα, δεν εισάγεται με τον σωστό τρόπο.

Σύστημα προστασίας μπαταρίας

Η ηλεκτρική σκούπα διαθέτει σύστημα προστασίας, το οποίο διακόπτει αυτόματα την ισχύ εξόδου σε όλη τη μακρά διάρκεια ζωής της.

Η λειτουργία της ηλεκτρικής σκούπας ενδέχεται να διακοπεί κατά τη χρήση, όταν η ηλεκτρική σκούπα ή/και η μπαταρία βρίσκονται κάτω από τις ακόλουθες συνθήκες. Αυτό συμβαίνει λόγω ενεργοποίησης του συστήματος προστασίας και δεν υποδεικνύει δυσλειτουργία της ηλεκτρικής σκούπας.

- Όταν η ηλεκτρική σκούπα έχει υπερφορτωθεί:
Σε αυτή την περίπτωση, ελευθερώστε τη σκανδάλη ενεργοποίησης και απομακρύνετε τις αιτίες υπερφόρτωσης, στη συνέχεια πιέστε ξανά τη σκανδάλη ενεργοποίησης για επανεκκίνηση.
- Όταν η εναπομένουσα φόρτιση της μπαταρίας είναι χαμηλή:
Επαναφορτίστε την κασέτα μπαταρίας.

Λειτουργία διακόπτη (Εικ. 3)

Για εκκίνηση της ηλεκτρικής σκούπας, πιέστε απλά το κουμπί "ΥΨΗΛΟ/ΧΑΜΗΛΟ". Για απενεργοποίηση, πιέστε το κουμπί "OFF". Για αλλαγή της ταχύτητας της ηλεκτρικής σκούπας, πιέστε το κουμπί "ΥΨΗΛΟ/ΧΑΜΗΛΟ". Με την πρώτη πίεση του κουμπιού επιτυγχάνεται υψηλή ταχύτητα και με τη δεύτερη επιτυγχάνεται χαμηλή ταχύτητα, στη συνέχεια με κάθε πίεση του κουμπιού επιτυγχάνεται η αλλαγή ταχύτητας μεταξύ των ρυθμίσεων υψηλό/χαμηλό εναλλάξ.

Φωτισμός λάμπας (Εικ. 4)

Για το μοντέλο DCL182F μόνο

ΠΡΟΣΟΧΗ:

- Μην κοιτάζετε ποτέ απευθείας στο φως. Το άμεσο φως μπορεί να προκαλέσει ζημιά στα μάτια σας.

Για να ανάψετε τη λάμπα, απλά πατήστε το κουμπί "ΥΨΗΛΟ/ΧΑΜΗΛΟ". Για να σβήσετε τη λάμπα, πατήστε το κουμπί "OFF" (απενεργοποίηση).

Ένδειξη της υπόλοιπης χωρητικότητας της μπαταρίας (Εικ. 5)

Μόνο για κασέτες μπαταριών με την ένδειξη

Πιέστε το κουμπί ελέγχου στην κασέτα μπαταρίας για να υποδειχτεί την υπόλοιπη χωρητικότητα της μπαταρίας. Οι ενδεικτικές λυχνίες ανάβουν για λίγα δευτερόλεπτα.

| Ενδεικτικές λυχνίες | | | Υπόλοιπη χωρητικότητα |
|---------------------|---------|---------------|---|
| Αναμμέν-ες | Σβηστές | Αναβοσβή-νουν | |
| ■ ■ ■ ■ | | | 75% έως 100% |
| ■ ■ ■ □ | | | 50% έως 75% |
| ■ ■ □ □ | | | 25% έως 50% |
| ■ □ □ □ | | | 0% έως 25% |
| ▣ □ □ □ | | | Φορτίστε την μπαταρία. |
| ■ ■ □ □ | | | Μπορεί να προέκυψε δυσλειτουργία στην μπαταρία. |
| □ □ ■ ■ | | | |

015658

ΣΗΜΕΙΩΣΗ:

- Ανάλογα με τις συνθήκες χρήσης και τη θερμοκρασία περιβάλλοντος, η ένδειξη μπορεί να διαφέρει λίγο από την πραγματική χωρητικότητα.

Ενδεικτική λυχνία φόρτισης μπαταρίας (Εικ. 3)

- Όταν η εναπομένουσα ισχύς της μπαταρίας είναι χαμηλή, η ενδεικτική λυχνία φόρτισης μπαταρίας αναβοσβήνει.
- Όταν η εναπομένουσα ισχύς της μπαταρίας μειωθεί κατά πολύ, η λειτουργία του εργαλείου διακόπτεται και η ενδεικτική λυχνία φόρτισης μπαταρίας ανάβει για δέκα δευτερόλεπτα περίπου. Σε αυτήν την περίπτωση, αφαιρέστε την κασέτα μπαταρίας από το εργαλείο και φορτίστε την.

ΣΗΜΕΙΩΣΗ:

- Η χρονική στιγμή κατά την οποία αρχίζει να αναβοσβήνει ή ανάβει σταθερά η ενδεικτική λυχνία φόρτισης μπαταρίας εξαρτάται από τη θερμοκρασία που επικρατεί στο χώρο εργασίας και την κατάσταση της κασέτας μπαταρίας.

ΣΥΝΑΡΜΟΛΟΓΗΣΗ

ΠΡΟΣΟΧΗ:

- Πάντοτε βεβαιώνετε ότι το εργαλείο είναι σβηστό και η κασέτα μπαταρίας έχει αφαιρεθεί πριν εκτελέσετε κάποια εργασία στο εργαλείο.

Απόρριψη σκόνης

ΠΡΟΣΟΧΗ:

- Να αδειάζετε το ηλεκτρικό σκουπάκι πριν γεμίσει πλήρως, ή εξασθενήσει η δύναμη αναρρόφησης.
- Φροντίστε για το άδειασμα της σκόνης από το εσωτερικό της ίδιας της ηλεκτρικής σκούπας. Σε περίπτωση μη συμμόρφωσης ενδέχεται να προκληθεί έμφραξη του φίλτρου σπόγγου ή ζημία στον κινητήρα.
- Μην πετάτε ποτέ τον αναστολέα σκόνης διότι θα πρέπει να χρησιμοποιείται κάθε φορά που χρησιμοποιείται ο σάκος σκόνης ή η χάρτινη σακούλα.

1. Πιέστε το κουμπί για να ανοίξετε το μπροστινό κάλυμμα. Εάν το ανοίξετε έως ότου ακουστεί ένα κλικ, επιτρέπει ένα σταθερό σημείο στάσης (στοπ) σε αυτήν τη θέση. (Εικ. 6)

ΣΗΜΕΙΩΣΗ:

- Η ηλεκτρική σκούπα έχει σχεδιαστεί ώστε το μπροστινό κάλυμμα να αποσπάται τελείως, όταν κατά το άνοιγμα ασκείται δύναμη υπό γωνία μεγαλύτερη από 90°. Σε περίπτωση που το μπροστινό κάλυμμα αποσπαστεί, εισάγετε το πάλι στο σύνδεσμο στήριξης μπροστινού καλύμματος. (Εικ. 7)

ΠΡΟΣΟΧΗ:

- Όταν κλείνετε το μπροστινό κάλυμμα, φροντίστε να μην μαγκώσετε τα δάκτυλά σας.
2. Αποσπάστε τον αναστολέα σκόνης χρώματος πορτοκαλί μαζί με το σάκο σκόνης, τραβώντας ταυτόχρονα προς τα έξω. (Εικ. 8)
 3. Αφαιρέστε τον αναστολέα σκόνης και αδειάστε το ηλεκτρικό σκουπάκι. (Εικ. 9 και 10)

Σάκος σκόνης και χάρτινη σακούλα

Τοποθετήστε το σάκο σκόνης ή τη χάρτινη σακούλα πριν από τη χρήση της ηλεκτρικής σκούπας.

Να χρησιμοποιείτε τον αναστολέα σκόνης, όταν τοποθετείτε σάκο σκόνης ή χάρτινη σακούλα.

Μπορείτε να χρησιμοποιήσετε τον σάκο σκόνης πολλές φορές αφού τον καθαρίσετε πρώτα.

Η χάρτινη σακούλα είναι μιας χρήσης. Απορρίψτε ολόκληρη τη χάρτινη σακούλα χωρίς άδειασμα, όταν γεμίσει.

Τοποθέτηση σάκου σκόνης

Χρησιμοποιήστε τον αναστολέα σκόνης, όταν τοποθετείτε τον σάκο σκόνης. Προσέξτε να μη μπερδέψετε την πάνω με την κάτω πλευρά, διότι διαφέρουν. (Εικ. 11)

1. Εισάγετε την προεξοχή του σάκου σκόνης στην εγκοπή του αναστολέα σκόνης, όπως υποδεικνύεται στην εικόνα. (Εικ. 12)
2. Δεν υπάρχει διαφορά μεταξύ πάνω και κάτω πλευράς του σάκου σκόνης. Μπορείτε να εισάγετε την προεξοχή οποιασδήποτε πλευράς στην κάτω εγκοπή του αναστολέα σκόνης. (Εικ. 13)
3. Επικαλύψτε το πλαίσιο του αναστολέα σκόνης με εκείνο του σάκου σκόνης. (Εικ. 14)

4. Τοποθετήστε τον αναστολέα σκόνης μαζί με τον σάκο σκόνης μέσα στην κοιλότητα της ηλεκτρικής σκούπας με την ίδια φορά όπως και η φορά του βέλους που βρίσκεται πάνω στον αναστολέα σκόνης. Φροντίστε για την πλήρη εισαγωγή τους μέσα στην κοιλότητα της ηλεκτρικής σκούπας. **(Εικ. 15)**
5. Τοποθετήστε ολόκληρο το υφασμάτινο τμήμα του σάκου σκόνης στο εσωτερικό της ηλεκτρικής σκούπας. **(Εικ. 16)**
6. Κλείστε τελείως το μπροστινό κάλυμμα. **(Εικ. 17)**

Τοποθέτηση της χάρτινης σακούλας

1. Ξεδιπλώστε το στόμιο εισαγωγής της χάρτινης σακούλας πριν από την τοποθέτησή της πάνω στον αναστολέα σκόνης. **(Εικ. 18)**

Χρησιμοποιήστε επίσης τον αναστολέα σκόνης, όταν τοποθετείτε τη χάρτινη σακούλα. Προσέξτε να μη μπερδέψετε την πάνω με την κάτω πλευρά, διότι διαφέρουν. **(Εικ. 19)**

2. Εισάγετε την προεξοχή της χάρτινης σακούλας στην εγκοπή του αναστολέα σκόνης, όπως υποδεικνύεται στην εικόνα. **(Εικ. 20)**
3. Δεν υπάρχει διαφορά μεταξύ πάνω και κάτω πλευράς της χάρτινης σακούλας. Μπορείτε να εισάγετε την προεξοχή οποιασδήποτε πλευράς στην κάτω εγκοπή του αναστολέα σκόνης. **(Εικ. 21)**
4. Επικαλύψτε το πλαίσιο του αναστολέα σκόνης με εκείνο της χάρτινης σακούλας. **(Εικ. 22)**
5. Τοποθετήστε τον αναστολέα σκόνης μαζί με τη χάρτινη σακούλα μέσα στην κοιλότητα της ηλεκτρικής σκούπας με την ίδια φορά όπως και η φορά του βέλους που βρίσκεται πάνω στον αναστολέα σκόνης. Φροντίστε για την πλήρη εισαγωγή τους μέσα στην κοιλότητα της ηλεκτρικής σκούπας. **(Εικ. 23)**
6. Τοποθετήστε ολόκληρο το υφασμάτινο τμήμα της χάρτινης σακούλας στο εσωτερικό της ηλεκτρικής σκούπας. **(Εικ. 24)**
7. Κλείστε τελείως το μπροστινό κάλυμμα.

ΠΡΟΣΟΧΗ:

- Η μη τοποθέτηση του σάκου σκόνης ή της χάρτινης σακούλας, ή μη εισαγωγή του αναστολέα σκόνης μαζί με το σάκο σκόνης ή τη χάρτινη σακούλα πλήρως μέσα στις υποδοχές ή η χρήση κομμένου ή σχισμένου σάκου, ενδέχεται να επιτρέψει τη διείσδυση σκόνης στο εσωτερικό του κινητήρα. Αυτό ενδέχεται να προκαλέσει βλάβη του κινητήρα.
- Μην διπλώνετε το χαρτόνι στο άνοιγμά του, κατά την τοποθέτηση της χάρτινης σακούλας.
- Μην πετάτε ποτέ τον αναστολέα σκόνης διότι θα πρέπει να χρησιμοποιείται κάθε φορά που χρησιμοποιείται ο σάκος σκόνης ή η χάρτινη σακούλα.
- Η χάρτινη σακούλα της ηλεκτρικής σκούπας παίζει σημαντικό ρόλο για τη διατήρηση της απόδοσης του εργαλείου. Εάν χρησιμοποιήσετε οποιαδήποτε άλλη χάρτινη σακούλα εκτός από τη γνήσια, ενδέχεται να προκληθεί καπνός ή ανάφλεξη.

ΛΕΙΤΟΥΡΓΙΑ

ΠΡΟΣΟΧΗ:

- Για να τοποθετήσετε διάφορα εξαρτήματα, όπως ένα ακροφύσιο, περιστρέψτε και εισάγετε το εξάρτημα προς την κατεύθυνση του βέλους, ώστε να διασφαλιστεί η ασφαλής σύνδεση στη διάρκεια της χρήσης. Για να αφαιρέσετε το εξάρτημα, περιστρέψτε και αποσπάστε πάλι προς την κατεύθυνση του βέλους. **(Εικ. 25)**

Καθαρισμός (Αναρρόφηση)

Ακροφύσιο (Εικ. 26)

Προσαρμόστε το ακροφύσιο για να καθαρίσετε τραπέζια, γραφεία, έπιπλα, κ.λ.π. Το ακροφύσιο τοποθετείται εύκολα σύρνοντάς το.

Ακροφύσιο + Ράβδος προέκτασης (Ευθύς σωλήνας) (Εικ. 27)

Η ράβδος προέκτασης τοποθετείται μεταξύ ακροφυσίου και ηλεκτρικής σκούπας. Ο συνδυασμός αυτός διευκολύνει στον καθαρισμό ενός δαπέδου, ενώ ο χειριστής παραμένει σε όρθια θέση.

Ακροφύσιο γωνιών (Εικ. 28)

Τοποθετήστε το ακροφύσιο γωνιών για να καθαρίσετε γωνίες και χαραμάδες σε ένα αυτοκίνητο ή έπιπλα.

Ακροφύσιο γωνιών + Ράβδος προέκτασης (Ευθύς σωλήνας) (Εικ. 29)

Χρησιμοποιήστε αυτόν το συνδυασμό σε περιορισμένους χώρους, όπου η ηλεκτρική σκούπα δεν χωρά, ή σε υψηλά σημεία όπου η πρόσβαση είναι δύσκολη.

Καθαρισμός χωρίς ακροφύσιο (Εικ. 30)

Μπορείτε να συλλέξετε σκόνη χωρίς το ακροφύσιο.

ΣΥΝΤΗΡΗΣΗ

ΠΡΟΣΟΧΗ:

- Να φροντίζετε πάντα για την απενεργοποίηση του εργαλείου πριν επιχειρήσετε οποιοδήποτε έλεγχο ή συντήρηση του εργαλείου.

Μετά από τη χρήση

ΣΗΜΕΙΩΣΗ:

- Εάν ακουμπήσετε την ηλεκτρική σκούπα στον τοίχο σε όρθια θέση χωρίς άλλη στήριξη ενδέχεται να πέσει και να προκληθεί ζημία. **(Εικ. 31)**

Καθαρισμός

Περιστασιακά, καθαρίστε το εξωτερικό (σώμα ηλεκτρικής σκούπας) της σκούπας χρησιμοποιώντας ένα πανί που έχετε υγράνει με σαπουνόνερο. Καθαρίστε, επίσης, το άνοιγμα αναρρόφησης, το χώρο τοποθέτησης του σάκου/χάρτινης σακούλας και τον αναστολέα σκόνης. **(Εικ. 32)**

ΠΡΟΣΟΧΗ:

- Μην χρησιμοποιείτε ποτέ βενζίνη, πετρελαϊκό αιθέρα, διαλυτικό, αλκοόλη ή παρόμοιες ουσίες. Ενδέχεται να προκληθεί αποχρωματισμός παραμόρφωση ή ρωγμές.

Πλύνετε το σάκο σκόνης σε σαπουνόνερο, όταν παρατηρηθεί έμφραξη λόγω σκόνης και μείωση της απορροφητικής ισχύος. Στεγνώστε πλήρως πριν από τη χρήση. Ένας σάκος που δεν είναι απολύτως στεγνός ενδέχεται να προκαλέσει κακή αναρρόφηση και μείωση της διάρκειας ζωής του κινητήρα. **(Εικ. 33)**

ΣΗΜΕΙΩΣΗ:

- Η χάρτινη σακούλα είναι μιας χρήσης.

Όταν το φίλτρο σπόγγου παρουσιάζει έμφραξη λόγω σκόνης, αφαιρέστε το από την ηλεκτρική σκούπα και καθαρίστε το ή πλύντε το με νερό.

Αφαίρεση και τοποθέτηση του φίλτρου σπόγγου (Εικ. 34 και 35)

Για να αφαιρέσετε το φίλτρο σπόγγου, αφαιρέστε το σάκο σκόνης ή τη χάρτινη σακούλα και ακολούθως αφαιρέστε σφίγγοντάς το.

Πιέστε ολόκληρο το άκρο του φίλτρου σπόγγου πάνω στο τοίχωμα της εσοχής, στο εσωτερικό του χώρου τοποθέτησης του σάκου σκόνης/της χάρτινης σακούλας.

ΠΡΟΣΟΧΗ:

- Μετά από τον καθαρισμό του φίλτρου σπόγγου, φροντίστε για την επανατοποθέτησή του στο ηλεκτρικό σκουπάκι. Εάν πλυθεί σε νερό, στεγνώστε το πριν από την τοποθέτηση. Ένα φίλτρο σπόγγου που δεν είναι απολύτως στεγνό ενδέχεται να προκαλέσει μείωση της διάρκειας ζωής του μοτέρ.

Τι θα πρέπει να ελέγξετε πριν ζητήσετε επισκευή

| Σύμπτωμα | Περιοχή διερεύνησης | Μέθοδος επιδιόρθωσης |
|---------------------------|---|---|
| Ασθενής ισχύς αναρρόφησης | <ul style="list-style-type: none"> • Είναι ο σάκος σκόνης ή η χάρτινη σακούλα γεμάτα σκόνη? • Είναι ο σάκος σκόνης φραγμένος? • Είναι η χάρτινη σακούλα φραγμένη? • Είναι η κασέτα μπαταριών αποφορτισμένη; | <ul style="list-style-type: none"> • Αδειάστε το σάκο σκόνης ή τη χάρτινη σακούλα. • Τινάζτε τη σκόνη ή πλύνετε το σάκο σκόνης. • Αντικαταστήστε τη χάρτινη σακούλα. • Φορτίστε την κασέτα μπαταρίας. |
| Δεν λειτουργεί | <ul style="list-style-type: none"> • Είναι η κασέτα μπαταριών αποφορτισμένη; | <ul style="list-style-type: none"> • Φορτίστε την κασέτα μπαταρίας. |

011566

ΣΗΜΕΙΩΣΗ:

- Μην επιχειρήσετε να επισκευάσετε τη σκούπα μόνοι σας.

Για την διατήρηση της ΑΣΦΑΛΕΙΑΣ και ΑΞΙΟΠΙΣΤΙΑΣ του προϊόντος, επισκευές, οποιαδήποτε άλλη συντήρηση ή ρύθμιση πρέπει να εκτελούνται από τα εξουσιοδοτημένα κέντρα εξυπηρέτησης της Makita, με χρήση πάντοτε ανταλλακτικών Makita.

ΠΡΟΑΙΡΕΤΙΚΑ ΕΞΑΡΤΗΜΑΤΑ

ΠΡΟΣΟΧΗ:

- Αυτά τα παρελκόμενα ή εξαρτήματα συνιστώνται για χρήση με την ηλεκτρική σκούπα της Makita που περιγράφεται στο παρόν εγχειρίδιο. Η χρήση οποιουδήποτε άλλου παρελκόμενου ή προσάρτηματος ενέχει κίνδυνο τραυματισμού ατόμων. Το παρελκόμενο ή προσάρτημα να χρησιμοποιείται μόνο για την προοριζόμενη χρήση του.

Εάν χρειάζεστε βοήθεια όσον αφορά περαιτέρω λεπτομέρειες σχετικά με τα εν λόγω παρελκόμενα, απευθυνθείτε στο τοπικό κέντρο σέρβις της Makita.

- Ράβδος προέκτασης (Ευθύς σωλήνας)
- Ακροφύσιο
- Ακροφύσιο για μοκέτα
- Βούρτσα ραφιών
- Ακροφύσιο γωνιών
- Στρογγυλή βούρτσα
- Εύκαμπτος σωλήνας
- Χάρτινη σακούλα
- Επιτοίχια στερέωση για φορητή σκούπα
- Προσάρτημα κυκλώνα

Επιτοίχια στερέωση για φορητή σκούπα

Προαιρετικό εξάρτημα

ΣΗΜΕΙΩΣΗ:

- Η βίδα για τη στερέωση της υποδοχής δεν περιλαμβάνεται. Προετοιμάστε μια βίδα που ταιριάζει με το υλικό στο οποίο θα τη βιδώσετε.

Προσαρτήστε την επιτοίχια στερέωση για φορητή σκούπα σε έναν σκληρό ξύλινο τοίχο, δοκό ή στήλη, όπου η επιτοίχια στερέωση για φορητή σκούπα μπορεί να στερεωθεί καλά. Να ελέγχετε πάντα ότι η επιτοίχια στερέωση για φορητή σκούπα είναι καλά συνδεδεμένη πριν κρεμάσετε τη σκούπα. (Εικ. 36)

ΠΡΟΣΟΧΗ:

- Μην κρεμάτε βίαια τη σκούπα στην επιτοίχια στερέωση και μην κρεμάτε συσκευές εκτός από τη σκούπα.

- Γνήσια μπαταρία και φορτιστής της Makita

ΣΗΜΕΙΩΣΗ:

- Μερικά στοιχεία στη λίστα μπορεί να συμπεριλαμβάνονται στη συσκευασία εργαλείου ως στάνταρ εξαρτήματα. Μπορεί να διαφέρουν ανάλογα με τη χώρα.

Προσάρτημα κυκλώνα (Εικ. 37)

Πληροφορίες για το προσάρτημα κυκλώνα

Αν χρησιμοποιείτε τη σκούπα με τοποθετημένο το προσάρτημα κυκλώνα, μειώνεται η ποσότητα της σκόνης που εισέρχεται στη σακούλα σκόνης, γεγονός που βοηθάει ώστε να μην εξασθενεί η αναρροφητική ισχύς. Επιπλέον, ο καθαρισμός μετά τη χρήση είναι επίσης απλός.

ΠΡΟΣΟΧΗ:

- Να βεβαιώνεστε πάντα ότι το εργαλείο είναι απενεργοποιημένο και η κασέτα μπαταριών έχει αφαιρεθεί πριν εκτελέσετε οποιαδήποτε εργασία στο εργαλείο. Αν η κασέτα μπαταριών παραμένει τοποθετημένη, η σκούπα μπορεί να εκκινήσει απρόσμενα και να προκαληθεί τραυματισμός.
- Καθαρίστε το κυψελωτό φίλτρο του προσάρτηματος κυκλώνα και τη σακούλα σκόνης της σκούπας όταν φράζουν. Η συνεχιζόμενη χρήση σε φραγμένη κατάσταση μπορεί να έχει ως αποτέλεσμα τη θέρμανση ή τη δημιουργία καπνού.

ΕΠΙΟΠΟΙΗΣΗ:

- Όταν είναι τοποθετημένο το προσάρτημα κυκλώνα, μη χρησιμοποιείτε τη σκούπα σε οριζόντια ή ανοδικά στραμμένη κατάσταση. Αν το κάνετε αυτό, το κυψελωτό φίλτρο μπορεί να φράξει.

- Να χρησιμοποιείτε πάντα τη σκούπα με τοποθετημένη σακούλα σκόνης, ακόμη και όταν χρησιμοποιείτε το προσάρτημα κυκλών. Αν χρησιμοποιήσετε τη σκούπα χωρίς τοποθετημένη σακούλα σκόνης, μπορεί να έχει ως αποτέλεσμα δυσλειτουργία του μοτέρ.

ΠΑΡΑΤΗΡΗΣΗ:

- Να ελέγχετε ότι το προσάρτημα κυκλών, η σκούπα και ο ίσιος σωλήνας είναι σωστά ασφαλισμένα πριν από τη χρήση.
- Αδειάστε τη θήκη σκόνης του προσαρτήματος κυκλών και τη σακούλα σκόνης της σκούπας όταν συσσωρευτεί σκόνη. Η συνεχιζόμενη χρήση θα έχει ως αποτέλεσμα εξασθενημένη αναρροφητική ισχύ.

Απορρίψη σκόνης

Όταν έχει συσσωρευτεί σκόνη μέχρι τη γραμμή πληρότητας της θήκης σκόνης, ακολουθήστε την παρακάτω διαδικασία και απορρίψτε τη σκόνη.

1. Κρατήστε τη θήκη σκόνης καλά, πατήστε παρατεταμένα τα δύο κουμπιά και αφαιρέστε τη θήκη σκόνης. **(Εικ. 38)**
2. Απορρίψτε τη σκόνη στο εσωτερικό της θήκης σκόνης και αφαιρέστε τυχόν σκόνη και πούδρα που έχει προσκολληθεί στην επιφάνεια του κυψελωτού φίλτρου.
3. Εισαγάγετε τη θήκη σκόνης μέχρι τέρμα μέχρι τα δύο κουμπιά να ασφαλισουν με έναν χαρακτηριστικό ήχο «κλικ». **(Εικ. 39)**

ΠΑΡΑΤΗΡΗΣΗ:

- Ελέγξτε ότι το προσάρτημα κυκλών, η σκούπα και ο ίσιος σωλήνας είναι όλα σταθερά συνδεδεμένα πριν ξεκινήσετε ξανά τη λειτουργία.
- Αν η αναρροφητική ισχύς δεν ανακτηθεί ακόμη και μετά την απόρριψη της σκόνης και τον καθαρισμό του κυψελωτού φίλτρου, ελέγξτε αν έχει συσσωρευτεί σκόνη στη σακούλα σκόνης της σκούπας ή αν συνέβη φράξιμο.

Καθαρισμός

Όταν η θήκη σκόνης βρομίσει ή το κυψελωτό φίλτρο φράξει, αφαιρέστε και πλύντε τα με νερό. (Ανατρέξτε στην παράγραφο «Απόρριψη σκόνης» για τη διαδικασία αφαίρεσης.)

Στεγνώστε πολύ καλά τα εξαρτήματα πριν τα τοποθετήσετε ξανά και τα χρησιμοποιήσετε. **(Εικ. 40)**

Όταν το κυψελωτό φίλτρο βρομίσει πάρα πολύ, καθαρίστε το σύμφωνα με τις ακόλουθες διαδικασίες.

1. Περιστρέψτε το κυψελωτό φίλτρο αριστερόστροφα και αφαιρέστε το ενώ οι γάντζοι είναι απασφαλισμένοι. **(Εικ. 41)**
2. Αφαιρέστε τη σκόνη από το κυψελωτό φίλτρο και, στη συνέχεια, πλύντε το με νερό. Μετά, στεγνώστε το πολύ καλά.
3. Εισαγάγετε το κυψελωτό φίλτρο μέσα στη βάση ενώ οι γάντζοι είναι ευθυγραμμισμένοι με τη θύρα. Περιστρέψτε το κυψελωτό φίλτρο δεξιόστροφα μέχρι οι γάντζοι να ασφαλισουν με έναν χαρακτηριστικό ήχο «κλικ». Βεβαιωθείτε ότι το κυψελωτό φίλτρο είναι τοποθετημένο με ασφάλεια. **(Εικ. 42)**

Makita Europe N.V.

Jan-Baptist Vinkstraat 2, 3070 Kortenberg, Belgium

Makita Corporation

3-11-8, Sumiyoshi-cho, Anjo, Aichi 446-8502 Japan

www.makita.com



885263F994

IDE