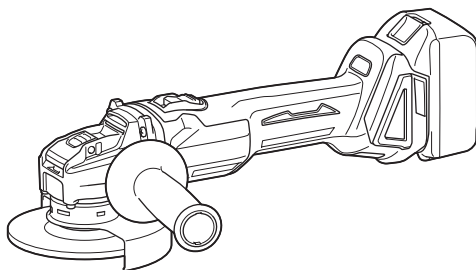
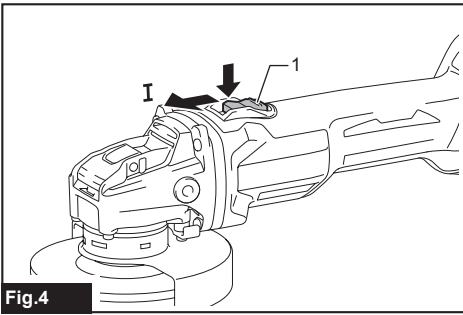
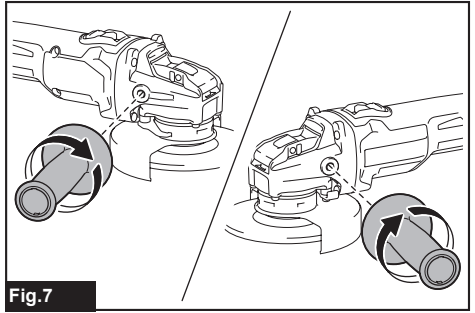
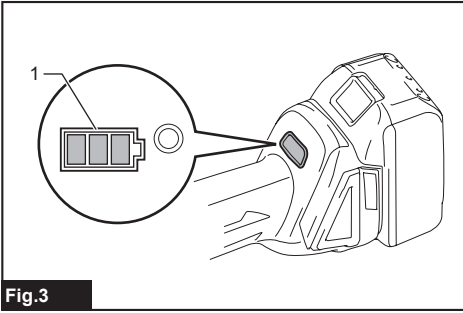
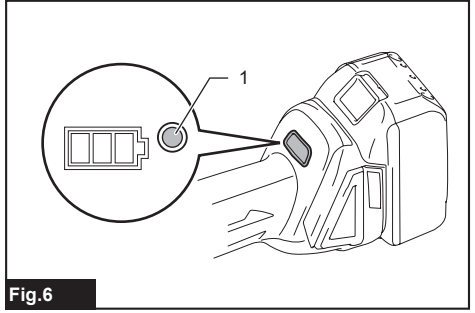
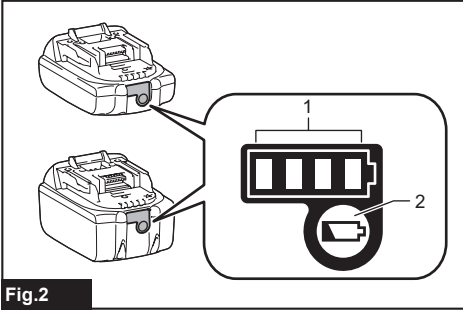
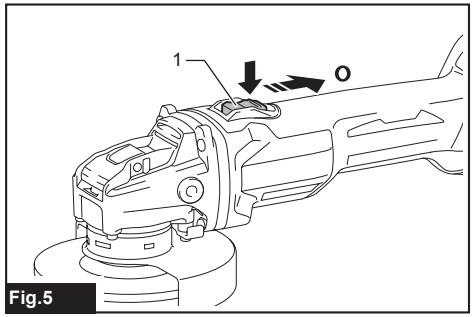
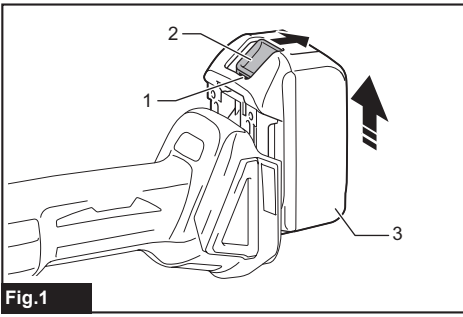




<b>EN</b>	<b>Cordless Angle Grinder</b>	<b>INSTRUCTION MANUAL</b>	<b>7</b>
<b>FR</b>	<b>Meuleuse d'Angle sans Fil</b>	<b>MANUEL D'INSTRUCTIONS</b>	<b>17</b>
<b>DE</b>	<b>Akku-Winkelschleifer</b>	<b>BETRIEBSANLEITUNG</b>	<b>28</b>
<b>IT</b>	<b>Smerigliatrice angolare a batteria</b>	<b>ISTRUZIONI PER L'USO</b>	<b>39</b>
<b>NL</b>	<b>Haakse accuslijpmachine</b>	<b>GEBRUIKSAANWIJZING</b>	<b>50</b>
<b>ES</b>	<b>Esmeriladora Angular Inalámbrica</b>	<b>MANUAL DE INSTRUCCIONES</b>	<b>61</b>
<b>PT</b>	<b>Esmerilhadeira Angular a Bateria</b>	<b>MANUAL DE INSTRUÇÕES</b>	<b>72</b>
<b>DA</b>	<b>Ledningsfri vinkelsliber</b>	<b>BRUGSANVISNING</b>	<b>83</b>
<b>EL</b>	<b>Φορητός γωνιακός λειαντήρας</b>	<b>ΕΓΧΕΙΡΙΔΙΟ ΟΔΗΓΙΩΝ</b>	<b>93</b>
<b>TR</b>	<b>Akülü Avuç Taşlama Makinesi</b>	<b>KULLANMA KILAVUZU</b>	<b>104</b>

## DGA521





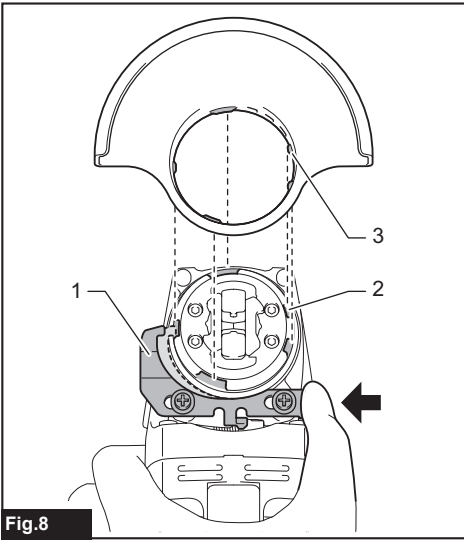


Fig.8

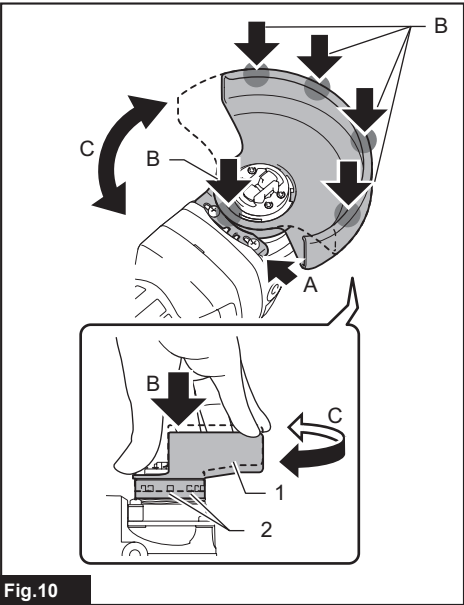


Fig.10

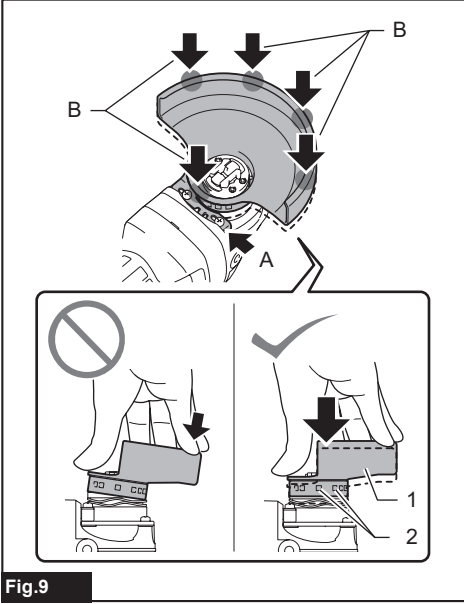


Fig.9

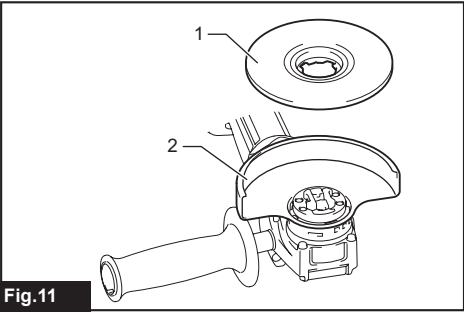


Fig.11

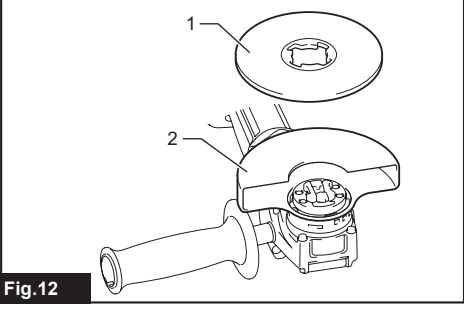


Fig.12

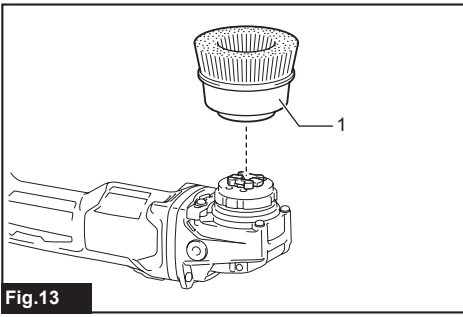


Fig. 13

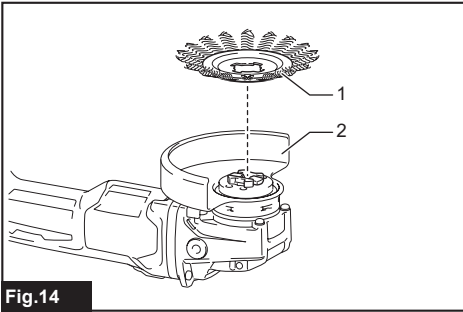


Fig. 14

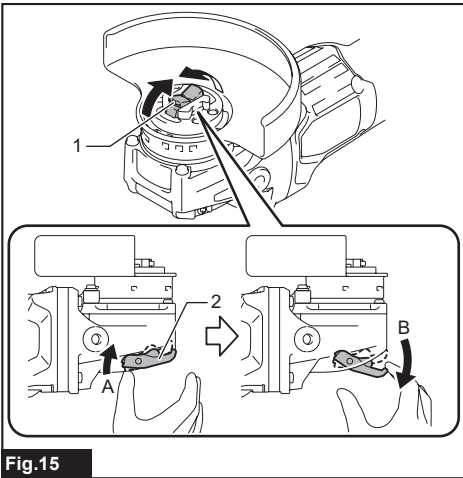


Fig. 15

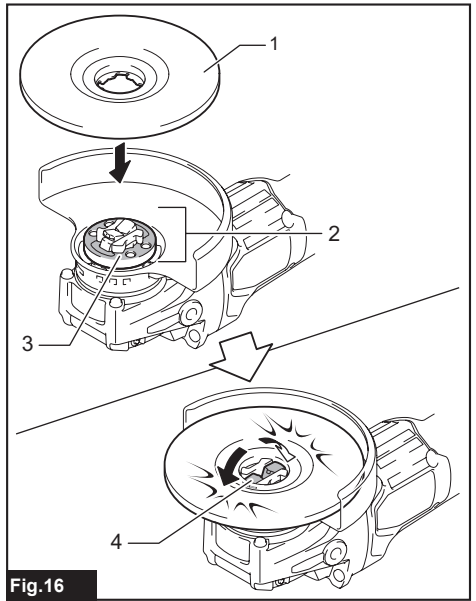


Fig. 16

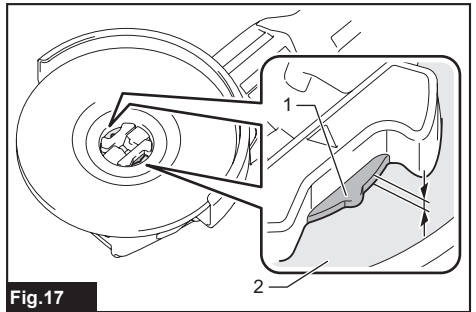


Fig. 17

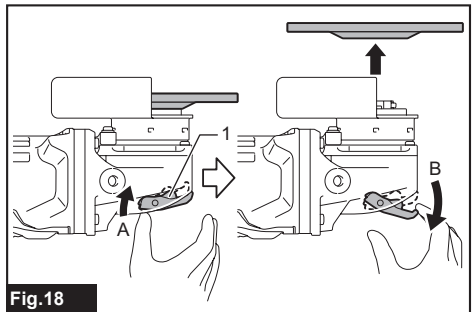


Fig. 18

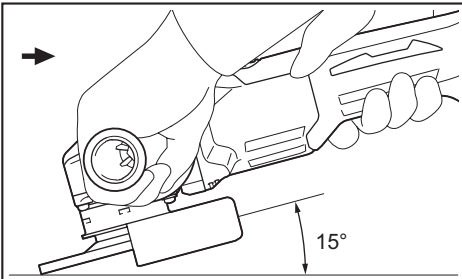


Fig.19

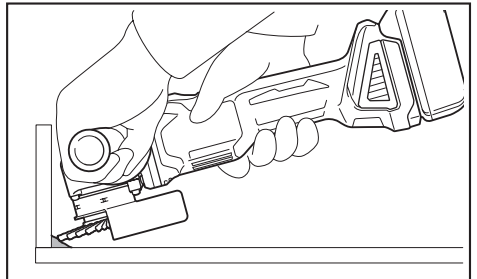


Fig.23

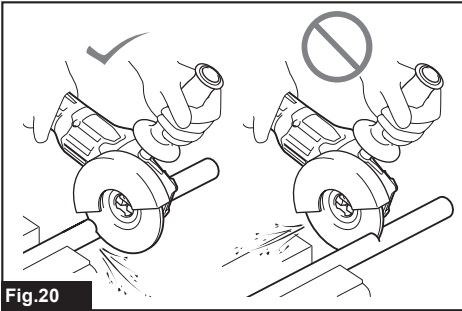


Fig.20

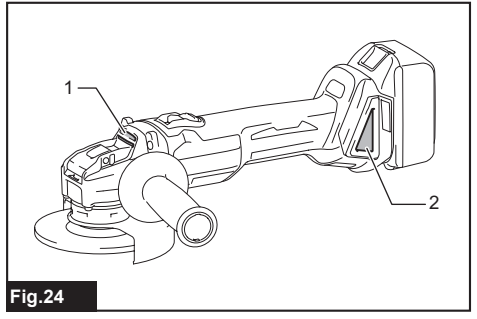


Fig.24

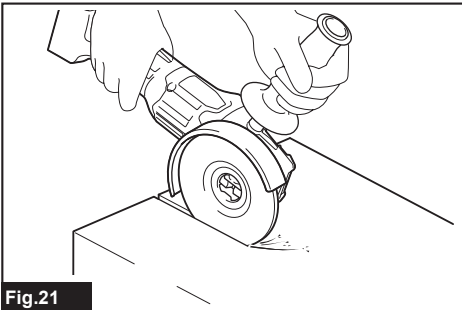


Fig.21

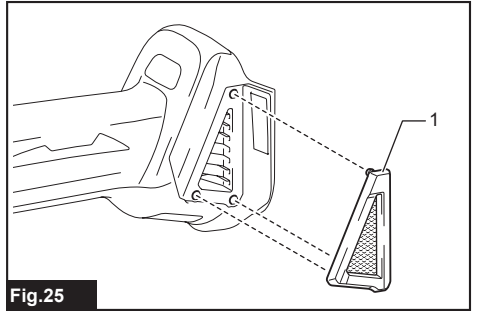


Fig.25

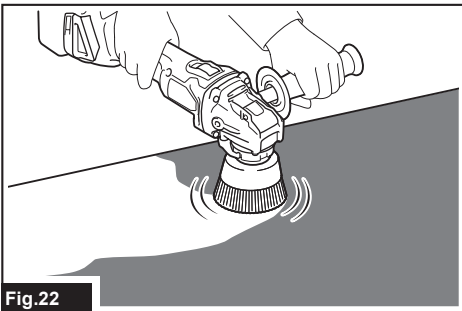
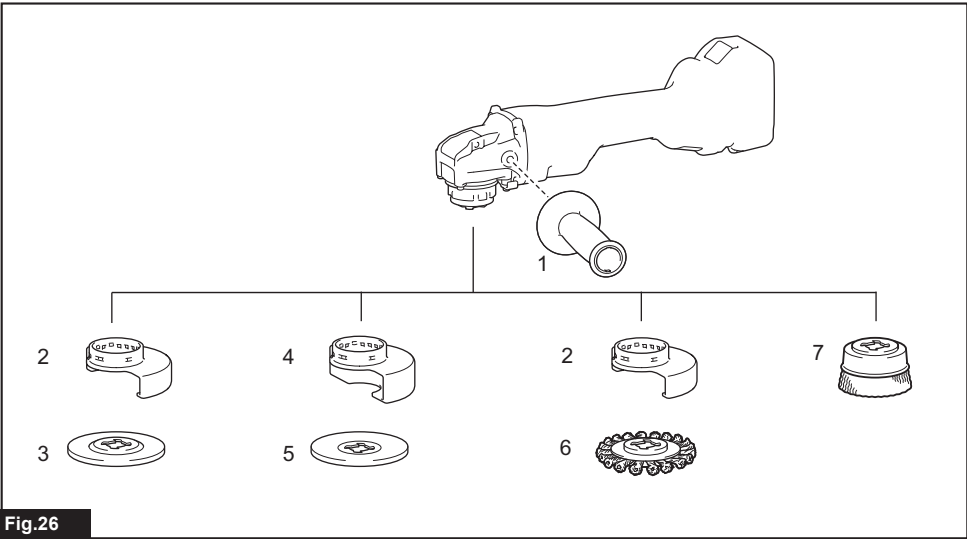


Fig.22



**Fig.26**

## SPECIFICATIONS

<b>Model:</b>	<b>DGA521</b>
Wheel diameter	125 mm (5")
Max. wheel thickness	6 mm
Rated speed (n)	8,500 min <sup>-1</sup>
Overall length	375 mm
Rated voltage	D.C. 18 V
Net weight	2.4 - 3.0 kg

- Due to our continuing program of research and development, the specifications herein are subject to change without notice.
- Specifications may differ from country to country.
- The weight may differ depending on the attachment(s), including the battery cartridge. The lightest and heaviest combination, according to EPTA-Procedure 01/2014, are shown in the table.

### Applicable battery cartridge and charger

Battery cartridge	BL1815N / BL1820B / BL1830B / BL1840B / BL1850B / BL1860B
Charger	DC18RC / DC18RD / DC18RE / DC18SD / DC18SE / DC18SF / DC18SH

- Some of the battery cartridges and chargers listed above may not be available depending on your region of residence.

**⚠WARNING:** Only use the battery cartridges and chargers listed above. Use of any other battery cartridges and chargers may cause injury and/or fire.

### Recommended cord connected power source

Portable power pack	PDC01
---------------------	-------

- The cord connected power source(s) listed above may not be available depending on your region of residence.
- Before using the cord connected power source, read instruction and cautionary markings on them.

### Intended use

The tool is intended for grinding, sanding, wire brushing and cutting of metal and stone materials without the use of water.

### Noise

The typical A-weighted noise level determined according to EN60745-2-3:

Sound pressure level (L<sub>pA</sub>) : 80 dB(A)

Uncertainty (K) : 3 dB(A)

The noise level under working may exceed 80 dB (A).

**NOTE:** The declared noise emission value(s) has been measured in accordance with a standard test method and may be used for comparing one tool with another.

**NOTE:** The declared noise emission value(s) may also be used in a preliminary assessment of exposure.

**⚠WARNING:** Wear ear protection.

**⚠WARNING:** The noise emission during actual use of the power tool can differ from the declared value(s) depending on the ways in which the tool is used especially what kind of workpiece is processed.

**⚠WARNING:** Be sure to identify safety measures to protect the operator that are based on an estimation of exposure in the actual conditions of use (taking account of all parts of the operating cycle such as the times when the tool is switched off and when it is running idle in addition to the trigger time).

## Vibration

The vibration total value (tri-axial vector sum) determined according to EN60745-2-3:

Work mode: surface grinding with normal side grip

Vibration emission ( $a_{h,AG}$ ): 5.0 m/s<sup>2</sup>

Uncertainty (K): 1.5 m/s<sup>2</sup>

Work mode: surface grinding with anti vibration side grip

Vibration emission ( $a_{h,AG}$ ): 6.5 m/s<sup>2</sup>

Uncertainty (K): 1.5 m/s<sup>2</sup>

Work mode: disc sanding with normal side grip

Vibration emission ( $a_{h,AG}$ ): 2.5 m/s<sup>2</sup> or less

Uncertainty (K): 1.5 m/s<sup>2</sup>

Work mode: disc sanding with anti vibration side grip

Vibration emission ( $a_{h,AG}$ ): 2.5 m/s<sup>2</sup> or less

Uncertainty (K): 1.5 m/s<sup>2</sup>

**NOTE:** The declared vibration total value(s) has been measured in accordance with a standard test method and may be used for comparing one tool with another.

**NOTE:** The declared vibration total value(s) may also be used in a preliminary assessment of exposure.

**⚠WARNING:** The vibration emission during actual use of the power tool can differ from the declared value(s) depending on the ways in which the tool is used especially what kind of workpiece is processed.

**⚠WARNING:** Be sure to identify safety measures to protect the operator that are based on an estimation of exposure in the actual conditions of use (taking account of all parts of the operating cycle such as the times when the tool is switched off and when it is running idle in addition to the trigger time).

**⚠WARNING:** The declared vibration emission value is used for main applications of the power tool. However if the power tool is used for other applications, the vibration emission value may be different.

## EC Declaration of Conformity

### For European countries only

The EC declaration of conformity is included as Annex A to this instruction manual.

# SAFETY WARNINGS

## General power tool safety warnings

**⚠WARNING:** Read all safety warnings, instructions, illustrations and specifications provided with this power tool. Failure to follow all instructions listed below may result in electric shock, fire and/or serious injury.

## Save all warnings and instructions for future reference.

The term "power tool" in the warnings refers to your mains-operated (corded) power tool or battery-operated (cordless) power tool.

## Cordless grinder safety warnings

### Safety Warnings Common for Grinding, Sanding, Wire Brushing or Abrasive Cutting-Off Operations:

- This power tool is intended to function as a grinder, sander, wire brush or cut-off tool. Read all safety warnings, instructions, illustrations and specifications provided with this power tool.** Failure to follow all instructions listed below may result in electric shock, fire and/or serious injury.
- Operations such as polishing are not recommended to be performed with this power tool.** Operations for which the power tool was not designed may create a hazard and cause personal injury.
- Do not use accessories which are not specifically designed and recommended by the tool manufacturer.** Just because the accessory can be attached to your power tool, it does not assure safe operation.
- The rated speed of the accessory must be at least equal to the maximum speed marked on the power tool.** Accessories running faster than their rated speed can break and fly apart.
- The outside diameter and the thickness of your accessory must be within the capacity rating of your power tool.** Incorrectly sized accessories cannot be adequately guarded or controlled.
- Threaded mounting of accessories must match the grinder spindle thread.** For accessories mounted by flanges, the arbour hole of the accessory must fit the locating diameter of the flange. Accessories that do not match the mounting hardware of the power tool will run out of balance, vibrate excessively and may cause loss of control.
- Do not use a damaged accessory. Before each use inspect the accessory such as abrasive wheels for chips and cracks, backing pad for cracks, tear or excess wear, wire brush for loose or cracked wires. If power tool or accessory is dropped, inspect for damage or install an undamaged accessory. After inspecting and installing an accessory, position yourself and bystanders away from the plane of the rotating accessory and run the power tool at maximum no-load speed for one minute.** Damaged accessories will normally break apart during this test time.
- Wear personal protective equipment. Depending on application, use face shield, safety goggles or safety glasses. As appropriate, wear dust mask, hearing protectors, gloves and workshop apron capable of stopping small abrasive or workpiece fragments.** The eye protection must be capable of stopping flying debris generated by various operations. The dust mask or respirator must be capable of filtering particles generated by your operation. Prolonged exposure to high intensity noise may cause hearing loss.
- Keep bystanders a safe distance away from work area. Anyone entering the work area must wear personal protective equipment.** Fragments of workpiece or of a broken accessory may fly away and cause injury beyond immediate area of operation.



10. **Hold the power tool by insulated gripping surfaces only, when performing an operation where the cutting tool may contact hidden wiring.** Contact with a "live" wire will also make exposed metal parts of the power tool "live" and could give the operator an electric shock.
11. **Never lay the power tool down until the accessory has come to a complete stop.** The spinning accessory may grab the surface and pull the power tool out of your control.
12. **Do not run the power tool while carrying it at your side.** Accidental contact with the spinning accessory could snag your clothing, pulling the accessory into your body.
13. **Regularly clean the power tool's air vents.** The motor's fan will draw the dust inside the housing and excessive accumulation of powdered metal may cause electrical hazards.
14. **Do not operate the power tool near flammable materials.** Sparks could ignite these materials.
15. **Do not use accessories that require liquid coolants.** Using water or other liquid coolants may result in electrocution or shock.

### Kickback and Related Warnings

Kickback is a sudden reaction to a pinched or snagged rotating wheel, backing pad, brush or any other accessory. Pinching or snagging causes rapid stalling of the rotating accessory which in turn causes the uncontrolled power tool to be forced in the direction opposite of the accessory's rotation at the point of the binding. For example, if an abrasive wheel is snagged or pinched by the workpiece, the edge of the wheel that is entering into the pinch point can dig into the surface of the material causing the wheel to climb out or kick out. The wheel may either jump toward or away from the operator, depending on direction of the wheel's movement at the point of pinching. Abrasive wheels may also break under these conditions.

Kickback is the result of power tool misuse and/or incorrect operating procedures or conditions and can be avoided by taking proper precautions as given below.

1. **Maintain a firm grip on the power tool and position your body and arm to allow you to resist kickback forces. Always use auxiliary handle, if provided, for maximum control over kickback or torque reaction during start-up.** The operator can control torque reactions or kickback forces, if proper precautions are taken.
2. **Never place your hand near the rotating accessory.** Accessory may kickback over your hand.
3. **Do not position your body in the area where power tool will move if kickback occurs.** Kickback will propel the tool in direction opposite to the wheel's movement at the point of snagging.
4. **Use special care when working corners, sharp edges etc. Avoid bouncing and snagging the accessory.** Corners, sharp edges or bouncing have a tendency to snag the rotating accessory and cause loss of control or kickback.
5. **Do not attach a saw chain woodcarving blade or toothed saw blade.** Such blades create frequent kickback and loss of control.

### Safety Warnings Specific for Grinding and Abrasive Cutting-Off Operations:

1. **Use only wheel types that are recommended for your power tool and the specific guard designed for the selected wheel.** Wheels for which the power tool was not designed cannot be adequately guarded and are unsafe.
2. **The grinding surface of centre depressed wheels must be mounted below the plane of the guard lip.** An improperly mounted wheel that projects through the plane of the guard lip cannot be adequately protected.
3. **The guard must be securely attached to the power tool and positioned for maximum safety, so the least amount of wheel is exposed towards the operator.** The guard helps to protect the operator from broken wheel fragments, accidental contact with wheel and sparks that could ignite clothing.
4. **Wheels must be used only for recommended applications. For example: do not grind with the side of cut-off wheel.** Abrasive cut-off wheels are intended for peripheral grinding, side forces applied to these wheels may cause them to shatter.
5. **Always use undamaged wheel flanges that are of correct size and shape for your selected wheel.** Proper wheel flanges support the wheel thus reducing the possibility of wheel breakage. Flanges for cut-off wheels may be different from grinding wheel flanges.
6. **Do not use worn down wheels from larger power tools.** Wheel intended for larger power tool is not suitable for the higher speed of a smaller tool and may burst.

### Additional Safety Warnings Specific for Abrasive Cutting-Off Operations:

1. **Do not "jam" the cut-off wheel or apply excessive pressure. Do not attempt to make an excessive depth of cut.** Overstressing the wheel increases the loading and susceptibility to twisting or binding of the wheel in the cut and the possibility of kickback or wheel breakage.
2. **Do not position your body in line with and behind the rotating wheel.** When the wheel, at the point of operation, is moving away from your body, the possible kickback may propel the spinning wheel and the power tool directly at you.
3. **When wheel is binding or when interrupting a cut for any reason, switch off the power tool and hold the power tool motionless until the wheel comes to a complete stop. Never attempt to remove the cut-off wheel from the cut while the wheel is in motion otherwise kickback may occur.** Investigate and take corrective action to eliminate the cause of wheel binding.
4. **Do not restart the cutting operation in the workpiece. Let the wheel reach full speed and carefully re-enter the cut.** The wheel may bind, walk up or kickback if the power tool is restarted in the workpiece.
5. **Support panels or any oversized workpiece to minimize the risk of wheel pinching and kickback.** Large workpieces tend to sag under their own weight. Supports must be placed under the workpiece near the line of cut and near the edge of the workpiece on both sides of the wheel.

6. Use extra caution when making a “pocket cut” into existing walls or other blind areas. The protruding wheel may cut gas or water pipes, electrical wiring or objects that can cause kickback.

#### Safety Warnings Specific for Sanding Operations:

1. Do not use excessively oversized sanding disc paper. Follow manufacturers recommendations, when selecting sanding paper. Larger sanding paper extending beyond the sanding pad presents a laceration hazard and may cause snagging, tearing of the disc or kickback.

#### Safety Warnings Specific for Wire Brushing Operations:

1. Be aware that wire bristles are thrown by the brush even during ordinary operation. Do not overstress the wires by applying excessive load to the brush. The wire bristles can easily penetrate light clothing and/or skin.
2. If the use of a guard is recommended for wire brushing, do not allow any interference of the wire wheel or brush with the guard. Wire wheel or brush may expand in diameter due to work load and centrifugal forces.

#### Additional Safety Warnings:

1. When using depressed centre grinding wheels, be sure to use only fiberglass-reinforced wheels.
2. NEVER USE Stone Cup type wheels with this grinder. This grinder is not designed for these types of wheels and the use of such a product may result in serious personal injury.
3. Be careful not to damage the X-LOCK holder. Damage to the parts could result in wheel breakage.
4. Make sure the wheel is not contacting the workpiece before the switch is turned on.
5. Before using the tool on an actual workpiece, let it run for a while. Watch for vibration or wobbling that could indicate poor installation or a poorly balanced wheel.
6. Use the specified surface of the wheel to perform the grinding.
7. Do not leave the tool running. Operate the tool only when hand-held.
8. Do not touch the workpiece immediately after operation; it may be extremely hot and could burn your skin.
9. Do not touch accessories immediately after operation; it may be extremely hot and could burn your skin.
10. Observe the instructions of the manufacturer for correct mounting and use of wheels. Handle and store wheels with care.
11. Do not use separate reducing bushings or adaptors to adapt large hole abrasive wheels.
12. Check that the workpiece is properly supported.
13. Pay attention that the wheel continues to rotate after the tool is switched off.
14. If working place is extremely hot and humid, or badly polluted by conductive dust, use a short-circuit breaker (30 mA) to assure operator safety.

15. Do not use the tool on any materials containing asbestos.
16. When use cut-off wheel, always work with the dust collecting wheel guard required by domestic regulation.
17. Cutting discs must not be subjected to any lateral pressure.
18. Do not use cloth work gloves during operation. Fibers from cloth gloves may enter the tool, which causes tool breakage.
19. Before operation, make sure that there is no buried object such as electric pipe, water pipe or gas pipe in the workpiece. Otherwise, it may cause an electric shock, electrical leakage or gas leak.

## SAVE THESE INSTRUCTIONS.

**⚠WARNING:** DO NOT let comfort or familiarity with product (gained from repeated use) replace strict adherence to safety rules for the subject product. MISUSE or failure to follow the safety rules stated in this instruction manual may cause serious personal injury.

## Important safety instructions for battery cartridge

1. Before using battery cartridge, read all instructions and cautionary markings on (1) battery charger, (2) battery, and (3) product using battery.
2. Do not disassemble or tamper with the battery cartridge. It may result in a fire, excessive heat, or explosion.
3. If operating time has become excessively shorter, stop operating immediately. It may result in a risk of overheating, possible burns and even an explosion.
4. If electrolyte gets into your eyes, rinse them out with clear water and seek medical attention right away. It may result in loss of your eyesight.
5. Do not short the battery cartridge:
  - (1) Do not touch the terminals with any conductive material.
  - (2) Avoid storing battery cartridge in a container with other metal objects such as nails, coins, etc.
  - (3) Do not expose battery cartridge to water or rain.A battery short can cause a large current flow, overheating, possible burns and even a breakdown.
6. Do not store and use the tool and battery cartridge in locations where the temperature may reach or exceed 50 °C (122 °F).
7. Do not incinerate the battery cartridge even if it is severely damaged or is completely worn out. The battery cartridge can explode in a fire.
8. Do not nail, cut, crush, throw, drop the battery cartridge, or hit against a hard object to the battery cartridge. Such conduct may result in a fire, excessive heat, or explosion.
9. Do not use a damaged battery.

10. **The contained lithium-ion batteries are subject to the Dangerous Goods Legislation requirements.**

For commercial transports e.g. by third parties, forwarding agents, special requirement on packaging and labeling must be observed. For preparation of the item being shipped, consulting an expert for hazardous material is required. Please also observe possibly more detailed national regulations.

Tape or mask off open contacts and pack up the battery in such a manner that it cannot move around in the packaging.

11. **When disposing the battery cartridge, remove it from the tool and dispose of it in a safe place. Follow your local regulations relating to disposal of battery.**
12. **Use the batteries only with the products specified by Makita.** Installing the batteries to non-compliant products may result in a fire, excessive heat, explosion, or leak of electrolyte.
13. **If the tool is not used for a long period of time, the battery must be removed from the tool.**
14. **During and after use, the battery cartridge may take on heat which can cause burns or low temperature burns. Pay attention to the handling of hot battery cartridges.**
15. **Do not touch the terminal of the tool immediately after use as it may get hot enough to cause burns.**
16. **Do not allow chips, dust, or soil stuck into the terminals, holes, and grooves of the battery cartridge.** It may result in poor performance or breakdown of the tool or battery cartridge.
17. **Unless the tool supports the use near high-voltage electrical power lines, do not use the battery cartridge near high-voltage electrical power lines.** It may result in a malfunction or breakdown of the tool or battery cartridge.
18. **Keep the battery away from children.**

## SAVE THESE INSTRUCTIONS.

**⚠ CAUTION:** Only use genuine Makita batteries. Use of non-genuine Makita batteries, or batteries that have been altered, may result in the battery bursting causing fires, personal injury and damage. It will also void the Makita warranty for the Makita tool and charger.

## Tips for maintaining maximum battery life

1. **Charge the battery cartridge before completely discharged. Always stop tool operation and charge the battery cartridge when you notice less tool power.**
2. **Never recharge a fully charged battery cartridge. Overcharging shortens the battery service life.**
3. **Charge the battery cartridge with room temperature at 10 °C - 40 °C (50 °F - 104 °F). Let a hot battery cartridge cool down before charging it.**
4. **When not using the battery cartridge, remove it from the tool or the charger.**
5. **Charge the battery cartridge if you do not use it for a long period (more than six months).**

## FUNCTIONAL DESCRIPTION

**⚠ CAUTION:** Always be sure that the tool is switched off and the battery cartridge is removed before adjusting or checking function on the tool.

### Installing or removing battery cartridge

**⚠ CAUTION:** Always switch off the tool before installing or removing of the battery cartridge.

**⚠ CAUTION:** Hold the tool and the battery cartridge firmly when installing or removing battery cartridge. Failure to hold the tool and the battery cartridge firmly may cause them to slip off your hands and result in damage to the tool and battery cartridge and a personal injury.

► **Fig.1:** 1. Red indicator 2. Button 3. Battery cartridge

To remove the battery cartridge, slide it from the tool while sliding the button on the front of the cartridge.

To install the battery cartridge, align the tongue on the battery cartridge with the groove in the housing and slip it into place. Insert it all the way until it locks in place with a little click. If you can see the red indicator as shown in the figure, it is not locked completely.

**⚠ CAUTION:** Always install the battery cartridge fully until the red indicator cannot be seen. If not, it may accidentally fall out of the tool, causing injury to you or someone around you.


















**⚠ CAUTION:** Do not install the battery cartridge forcibly. If the cartridge does not slide in easily, it is not being inserted correctly.

### Indicating the remaining battery capacity

**Only for battery cartridges with the indicator**

► **Fig.2:** 1. Indicator lamps 2. Check button

Press the check button on the battery cartridge to indicate the remaining battery capacity. The indicator lamps light up for a few seconds.

Indicator lamps			Remaining capacity
 Lighted	 Off	 Blinking	
			75% to 100%
			50% to 75%
			25% to 50%
			0% to 25%
			Charge the battery.
			The battery may have malfunctioned.
			

**NOTE:** Depending on the conditions of use and the ambient temperature, the indication may differ slightly from the actual capacity.

**NOTE:** The first (far left) indicator lamp will blink when the battery protection system works.

## Indicating the remaining battery capacity

When you turn the tool on, the battery indicator shows the remaining battery capacity.

► **Fig.3:** 1. Battery indicator

The remaining battery capacity is shown as the following table.

Battery indicator status			Remaining battery capacity
On	Off	Blinking	
			50% to 100%
			20% to 50%
			0% to 20%
			Charge the battery

## Tool / battery protection system

The tool is equipped with a tool/battery protection system. This system automatically cuts off power to the motor to extend tool and battery life. The tool will automatically stop during operation if the tool or battery is placed under one of the following conditions:

### Overload protection

When the tool/battery is operated in a manner that causes it to draw an abnormally high current, the tool automatically stops without any indication. In this situation, turn the tool off and stop the application that caused the tool to become overloaded. Then turn the tool on to restart.

### Overheat protection

When the tool is overheated, the tool stops automatically and the battery indicator shows following state. In this situation, let the tool cool before turning the tool on again.

On	Blinking

If the tool does not start, the battery may be overheated. In this situation, let the battery cool before starting the tool again.

## Overdischarge protection

When the battery capacity is not enough, the tool stops automatically. In this case, remove the battery from the tool and charge the battery.

## Releasing protection lock

When the protection system works repeatedly, the tool is locked and the battery indicator shows the following state.

In this situation, the tool does not start even if turning the tool off and on. To release the protection lock, remove the battery, set it to the battery charger and wait until the charging finishes.

On	Off	Blinking

## Switch action

**CAUTION:** Before installing the battery cartridge into the tool, always check to see that the slide switch actuates properly and returns to the "OFF" position when the rear of the slide switch is depressed.

**CAUTION:** Switch can be locked in "ON" position for ease of operator comfort during extended use. Apply caution when locking tool in "ON" position and maintain firm grasp on tool.

To start the tool, press down the rear end of the slide switch and then slide it toward the "I (ON)" position. For continuous operation, press down the front end of the slide switch to lock it.

► **Fig.4:** 1. Slide switch

To stop the tool, press down the rear end of the slide switch so that it returns to the "O (OFF)" position.

► **Fig.5:** 1. Slide switch

## Automatic speed change function

► **Fig.6:** 1. Mode indicator

Mode indicator status	Operation mode
	High speed mode
	High torque mode

This tool has "high speed mode" and "high torque mode". It automatically changes operation mode depending on the work load. When mode indicator lights up during operation, the tool is in high torque mode.

## Accidental re-start preventive function

When installing the battery cartridge while the slide switch in the "I (ON)" position, the tool does not start. To start the tool, first slide the slide switch toward the "O (OFF)" position and then slide it toward the "I (ON)" position.

## Active Feedback sensing Technology

The tool electronically detects situations where the wheel or accessory may be at risk to be bound. In the situation, the tool is automatically shut off to prevent further rotation of the spindle (it does not prevent kickback).

To restart the tool, switch off the tool first, remove the cause of sudden drop in the rotation speed, and then turn the tool on.

## Soft start feature

Soft start feature reduces starting reaction.

## ASSEMBLY

**⚠ CAUTION:** Always be sure that the tool is switched off and the battery cartridge is removed before adjusting or checking function on the tool.

### Installing side grip (handle)

**⚠ CAUTION:** Always be sure that the side grip is installed securely before operation.

Screw the side grip securely on the position of the tool as shown in the figure.

► Fig.7

### Installing or removing wheel guard

**⚠ WARNING:** When using a depressed center wheel, flap disc or wire wheel brush, the wheel guard must be fitted on the tool so that the closed side of the guard always points toward the operator.

**⚠ WARNING:** Make sure that the wheel guard is securely locked by the lock lever with one of the holes on the wheel guard.

**⚠ WARNING:** When using an abrasive cut-off / diamond wheel, be sure to use only the special wheel guard designed for use with cut-off wheels.

(In some European countries, when using a diamond wheel, the ordinary guard can be used. Follow the regulations in your country.)

## For depressed center wheel, flap disc, wire wheel brush / abrasive cut-off wheel, diamond wheel

1. While pushing the lock lever, mount the wheel guard with the protrusions on the wheel guard aligned with the notches on the bearing box.

► Fig.8: 1. Lock lever 2. Notch 3. Protrusion

2. While pushing the lock lever toward A, push in the wheel guard by holding down the portions B as shown in the figure.

► Fig.9: 1. Wheel guard 2. Hole

**NOTE:** Push down the wheel guard straight. Otherwise, you cannot push the wheel guard completely.

3. While keeping the lock lever and wheel guard position as described in step 2, rotate the wheel guard toward C, and then, change the angle of the wheel guard according to the work.

► Fig.10: 1. Wheel guard 2. Hole

**NOTE:** Push the wheel guard completely. Otherwise, you cannot rotate the wheel guard.

To remove wheel guard, follow the installation procedure in reverse.

## When using a depressed center wheel or flap disc

### Optional accessory

**⚠ WARNING:** When using a depressed center wheel or a flap disc, the wheel guard must be fitted on the tool so that the closed side of the guard always points toward the operator.

► Fig.11: 1. Depressed center wheel 2. Wheel guard

## When using an abrasive cut-off / diamond wheel

### Optional accessory

**⚠ WARNING:** When using an abrasive cut-off / diamond wheel, be sure to use only the special wheel guard designed for use with cut-off wheels.

(In some European countries, when using a diamond wheel, the ordinary guard can be used. Follow the regulations in your country.)

**⚠ WARNING:** NEVER use cut-off wheel for side grinding.

► Fig.12: 1. Abrasive cut-off wheel / diamond wheel  
2. Wheel guard for abrasive cut-off wheel / diamond wheel

## When using a wire cup brush

### Optional accessory

**⚠ CAUTION:** Do not use wire cup brush that is damaged, or which is out of balance. Use of damaged brush could increase potential for injury from contact with broken brush wires.

► Fig.13: 1. Wire cup brush

## When using a wire wheel brush

### Optional accessory

**CAUTION:** Do not use wire wheel brush that is damaged, or which is out of balance. Use of damaged wire wheel brush could increase potential for injury from contact with broken wires.

**CAUTION:** ALWAYS use guard with wire wheel brushes, assuring diameter of wheel fits inside guard. Wheel can shatter during use and guard helps to reduce chances of personal injury.

► Fig.14: 1. Wire wheel brush 2. Wheel guard

## Installing or removing X-LOCK wheel

**WARNING:** Never actuate the release lever of the X-LOCK holder during operation. Make sure that the X-LOCK wheel has stopped completely when removing it. Otherwise, the X-LOCK wheel comes off from the tool and may cause serious injury.

**CAUTION:** Use only original X-LOCK wheels with the X-LOCK logo. This tool is dedicated to X-LOCK.

The maximum clamping gauge of 1.6 mm can only be guaranteed with original X-LOCK wheels.

Use of any other wheels may lead to insecure clamping, and cause the clamp tool to come loose.

**CAUTION:** Do not touch the X-LOCK wheel immediately after operation. It may be extremely hot and could burn your skin.

**CAUTION:** Make sure that the X-LOCK wheel and holder of the tool are not deformed and are free from dust or foreign matters.

**CAUTION:** Do not put your finger near the holder while installing or removing the X-LOCK wheel. It may pinch your finger.

**CAUTION:** Do not put your finger near the release lever while installing the X-LOCK wheel. It may pinch your finger.

**NOTE:** No additional parts such as inner flanges or lock nuts are required to install or remove the X-LOCK wheels.

- To install the X-LOCK wheel, make sure that both catches are in the unlocked position.  
If not, push the release lever from A side to lift B side, then pull the release lever from B side as illustrated. The catches are set in the unlocked position.  
► Fig.15: 1. Catch 2. Release lever
- Place a central position of the X-LOCK wheel on the holder.  
Make sure the X-LOCK wheel is parallel to the flange surface and with the correct side facing up.
- Push the X-LOCK wheel into the holder. The catches snap into the lock position with a click and fix the X-LOCK wheel.  
► Fig.16: 1. X-LOCK wheel 2. Holder 3. Flange surface 4. Catch

- Make sure the X-LOCK wheel is fixed correctly. The surface of the X-LOCK wheel is no higher than the surface of the holder as shown in the figure.  
If not, the holder must be cleaned or the X-LOCK wheel must not be used.  
► Fig.17: 1. Surface of the holder 2. Surface of the X-LOCK wheel

To remove the X-LOCK wheel, push the release lever from A side to lift B side, then pull the release lever from B side as illustrated.

The X-LOCK wheel is released and can be removed.

► Fig.18: 1. Release lever

## OPERATION

**WARNING:** It should never be necessary to force the tool. The weight of the tool applies adequate pressure. Forcing and excessive pressure could cause dangerous wheel breakage.

**WARNING:** ALWAYS replace wheel if tool is dropped while grinding.

**WARNING:** NEVER hit the workpiece with the wheel.

**WARNING:** Avoid bouncing and snagging the wheel, especially when working corners, sharp edges etc. This can cause loss of control and kickback.

**WARNING:** NEVER use tool with wood cutting blades and other saw blades. Such blades when used on a grinder frequently kick and cause loss of control leading to personal injury.

**WARNING:** Never actuate the release lever of the X-LOCK holder during operation. The X-LOCK wheel comes off from the tool and may cause serious injury.

**WARNING:** Make sure that the X-LOCK wheel is fixed firmly.

**CAUTION:** Never switch on the tool when it is in contact with the workpiece, it may cause an injury to operator.

**CAUTION:** Always wear safety goggles or a face shield during operation.

**CAUTION:** After operation, always switch off the tool and wait until the wheel has come to a complete stop before putting the tool down.

**CAUTION:** ALWAYS hold the tool firmly with one hand on housing and the other on the side grip (handle).

## Grinding and sanding operation

### ► Fig.19

Turn the tool on and then apply the wheel or disc to the workpiece.

In general, keep the edge of the wheel or disc at an angle of about 15° to the workpiece surface. During the break-in period with a new wheel, do not work the grinder in forward direction or it may cut into the workpiece. Once the edge of the wheel has been rounded off by use, the wheel may be worked in both forward and backward direction.

## Operation with abrasive cut-off / diamond wheel

### Optional accessory

**⚠ WARNING:** Do not "jam" the wheel or apply excessive pressure. Do not attempt to make an excessive depth of cut. Overstressing the wheel increases the loading and susceptibility to twisting or binding of the wheel in the cut and the possibility of kickback, wheel breakage and overheating of the motor may occur.

**⚠ WARNING:** Do not start the cutting operation in the workpiece. Let the wheel reach full speed and carefully enter into the cut moving the tool forward over the workpiece surface. The wheel may bind, walk up or kickback if the power tool is started in the workpiece.

**⚠ WARNING:** During cutting operations, never change the angle of the wheel. Placing side pressure on the cut-off wheel (as in grinding) will cause the wheel to crack and break, causing serious personal injury.

**⚠ WARNING:** A diamond wheel shall be operated perpendicular to the material being cut.

Usage example: operation with abrasive cut-off wheel

### ► Fig.20

Usage example: operation with diamond wheel

### ► Fig.21

## Operation with wire cup brush

### Optional accessory

**⚠ CAUTION:** Check operation of brush by running tool with no load, insuring that no one is in front of or in line with brush.

**NOTICE:** Avoid applying too much pressure which causes over bending of wires when using the wire cup brush. It may lead to premature breakage.

Usage example: operation with wire cup brush

### ► Fig.22

## Operation with wire wheel brush

### Optional accessory

**⚠ CAUTION:** Check operation of wire wheel brush by running tool with no load, insuring that no one is in front of or in line with the wire wheel brush.

**NOTICE:** Avoid applying too much pressure which causes over bending of wires when using wire wheel brush. It may lead to premature breakage.

Usage example: operation with wire wheel brush

### ► Fig.23

## MAINTENANCE

**⚠ CAUTION:** Always be sure that the tool is switched off and the battery cartridge is removed before attempting to perform inspection or maintenance.

**NOTICE:** Never use gasoline, benzine, thinner, alcohol or the like. Discoloration, deformation or cracks may result.

To maintain product SAFETY and RELIABILITY, repairs, any other maintenance or adjustment should be performed by Makita Authorized Service Centers, always using Makita replacement parts.

## Air vent cleaning

The tool and its air vents have to be kept clean.

Regularly clean the tool's air vents or whenever the vents start to become obstructed.

► Fig.24: 1. Exhaust vent 2. Inhalation vent

Remove the dust cover from inhalation vent and clean it for smooth air circulation.

► Fig.25: 1. Dust cover

**NOTICE:** Clean out the dust cover when it is clogged with dust or foreign matters. Continuing operation with a clogged dust cover may damage the tool.

# OPTIONAL ACCESSORIES

**⚠ CAUTION:** These accessories or attachments are recommended for use with your Makita tool specified in this manual. The use of any other accessories or attachments might present a risk of injury to persons. Only use accessory or attachment for its stated purpose.

If you need any assistance for more details regarding these accessories, ask your local Makita Service Center.

- Makita genuine battery and charger

► Fig.26

1	Grip 36
2	Wheel Guard (for grinding wheel)
3	Depressed center wheel / Flap disc
4	Wheel Guard (for cut-off wheel) *1
5	Abrasive cut-off wheel / Diamond wheel
6	Wire wheel brush
7	Wire cup brush

**NOTE:** \*1 In some European countries, when using a diamond wheel, the ordinary guard can be used instead of the special guard covering the both side of the wheel. Follow the regulations in your country.

**NOTE:** Some items in the list may be included in the tool package as standard accessories. They may differ from country to country.



## SPÉCIFICATIONS

Modèle :	DGA521
Diamètre de meule	125 mm (5")
Épaisseur max. de la meule	6 mm
Vitesse nominale (n)	8 500 min <sup>-1</sup>
Longueur totale	375 mm
Tension nominale	18 V CC
Poids net	2,4 à 3,0 kg

- Étant donné l'évolution constante de notre programme de recherche et de développement, les spécifications contenues dans ce manuel sont sujettes à modification sans préavis.
- Les spécifications peuvent varier suivant les pays.
- Le poids peut être différent selon les accessoires, notamment la batterie. Les associations la plus légère et la plus lourde, conformément à la procédure EPTA 01/2014, sont indiquées dans le tableau.

### Batterie et chargeur applicables

Batterie	BL1815N / BL1820B / BL1830B / BL1840B / BL1850B / BL1860B
Chargeur	DC18RC / DC18RD / DC18RE / DC18SD / DC18SE / DC18SF / DC18SH

- Certains chargeurs et batteries répertoriés ci-dessus peuvent ne pas être disponibles selon la région où vous résidez.

**⚠ AVERTISSEMENT :** N'utilisez que les batteries et les chargeurs répertoriés ci-dessus. L'utilisation d'autres batteries et chargeurs peut provoquer des blessures et/ou un incendie.

### Source d'alimentation connectée par cordon recommandée

Support d'alimentation portable	PDC01
---------------------------------	-------

- La ou les sources d'alimentation connectées par cordon répertoriées ci-dessus peuvent ne pas être disponibles selon la région où vous résidez.
- Avant d'utiliser la source d'alimentation connectée par cordon, lisez les instructions et les avertissements inscrits dessus.

### Utilisations

L'outil est conçu pour le meulage, le ponçage, le broyage métallique et la coupe de matériaux en métal ou en pierre sans utiliser d'eau.

### Bruit

Niveau de bruit pondéré A typique, déterminé selon EN60745-2-3 :

Niveau de pression sonore ( $L_{pA}$ ) : 80 dB (A)

Incertitude (K) : 3 dB (A)

Le niveau de bruit en fonctionnement peut dépasser 80 dB (A).

**NOTE :** La ou les valeurs d'émission de bruit déclarées ont été mesurées conformément à la méthode de test standard et peuvent être utilisées pour comparer les outils entre eux.

**NOTE :** La ou les valeurs d'émission de bruit déclarées peuvent aussi être utilisées pour l'évaluation préliminaire de l'exposition.

**⚠ AVERTISSEMENT :** Portez un serre-tête antibruit.

**⚠ AVERTISSEMENT :** L'émission de bruit lors de l'usage réel de l'outil électrique peut être différente de la ou des valeurs déclarées, suivant la façon dont l'outil est utilisé, particulièrement selon le type de pièce usinée.

**⚠ AVERTISSEMENT :** Les mesures de sécurité à prendre pour protéger l'utilisateur doivent être basées sur une estimation de l'exposition dans des conditions réelles d'utilisation (en tenant compte de toutes les composantes du cycle d'utilisation, comme par exemple le moment de sa mise hors tension, lorsqu'il tourne à vide et le moment de son déclenchement).

### Vibrations

Valeur totale de vibrations (somme de vecteur triaxial) déterminée selon EN60745-2-3 :

Mode de travail : meulage de surfaces avec poignée latérale normale

Émission de vibrations ( $a_{h,AG}$ ) : 5,0 m/s<sup>2</sup>

Incertitude (K) : 1,5 m/s<sup>2</sup>

Mode de travail : meulage de surfaces avec poignée latérale anti-vibration

Émission de vibrations ( $a_{h,AG}$ ) : 6,5 m/s<sup>2</sup>

Incertitude (K) : 1,5 m/s<sup>2</sup>

Mode de travail : ponçage au disque avec poignée latérale normale

Émission de vibrations ( $a_{h,AG}$ ) : 2,5 m/s<sup>2</sup> ou moins

Incertitude (K) : 1,5 m/s<sup>2</sup>

Mode de travail : ponçage au disque avec poignée latérale anti-vibration

Émission de vibrations ( $a_{h,AG}$ ) : 2,5 m/s<sup>2</sup> ou moins

Incertitude (K) : 1,5 m/s<sup>2</sup>

**NOTE** : La ou les valeurs de vibration totales déclarées ont été mesurées conformément à la méthode de test standard et peuvent être utilisées pour comparer les outils entre eux.

**NOTE** : La ou les valeurs de vibration totales déclarées peuvent aussi être utilisées pour l'évaluation préliminaire de l'exposition.

**⚠ AVERTISSEMENT** : L'émission de vibrations lors de l'usage réel de l'outil électrique peut être différente de la ou des valeurs déclarées, suivant la façon dont l'outil est utilisé, particulièrement selon le type de pièce usinée.

**⚠ AVERTISSEMENT** : Les mesures de sécurité à prendre pour protéger l'utilisateur doivent être basées sur une estimation de l'exposition dans des conditions réelles d'utilisation (en tenant compte de toutes les composantes du cycle d'utilisation, comme par exemple le moment de sa mise hors tension, lorsqu'il tourne à vide et le moment de son déclenchement).

**⚠ AVERTISSEMENT** : La valeur d'émission de vibrations déclarée est utilisée pour les applications principales de l'outil électrique. Toutefois si l'outil électrique est utilisé pour d'autres applications, la valeur d'émission de vibrations peut être différente.

## Déclaration de conformité CE

*Pour les pays européens uniquement*

La déclaration de conformité CE est fournie en Annexe A à ce mode d'emploi.

# CONSIGNES DE SÉCURITÉ

## Consignes de sécurité générales pour outils électriques

**⚠ AVERTISSEMENT** : Veuillez lire les consignes de sécurité, instructions, illustrations et spécifications qui accompagnent cet outil électrique. Le non-respect de toutes les instructions indiquées ci-dessous peut entraîner une électrocution, un incendie et/ou de graves blessures.

## Conservez toutes les mises en garde et instructions pour référence ultérieure.

Le terme « outil électrique » dans les avertissements fait référence à l'outil électrique alimenté par le secteur (avec cordon d'alimentation) ou à l'outil électrique fonctionnant sur batterie (sans cordon d'alimentation).

## Consignes de sécurité pour meuleuse sans fil

### Consignes de sécurité communes aux travaux de meulage, ponçage, brossage métallique ou tronçonnage abrasif :

1. **Cet outil électrique est conçu pour être utilisé en tant que meuleuse, ponceuse, brosse métallique ou outil de tronçonnage. Veuillez lire les consignes de sécurité, instructions, illustrations et spécifications qui accompagnent cet outil électrique.** Le non-respect de toutes les instructions indiquées ci-dessous peut entraîner une électrocution, un incendie et/ou de graves blessures.
2. **Il est déconseillé d'effectuer des travaux de polissage avec cet outil électrique.** Il y a risque de danger et de blessure si l'outil électrique est utilisé pour exécuter des travaux pour lesquels il n'a pas été conçu.
3. **N'utilisez pas d'accessoires qui n'ont pas été conçus spécifiquement et recommandés par le fabricant de l'outil.** Même si un accessoire peut être fixé sur l'outil électrique, cela ne garantit pas qu'il fonctionnera de manière sûre.
4. **La vitesse nominale de l'accessoire doit être au moins égale à la vitesse maximum inscrite sur l'outil électrique.** Les accessoires tournant plus vite que leur vitesse nominale peuvent se casser et voler en éclats.
5. **Le diamètre extérieur et l'épaisseur de l'accessoire ne doivent pas dépasser la capacité nominale de l'outil électrique.** Les accessoires de taille incorrecte ne peuvent être protégés ou contrôlés adéquatement.
6. **Le filetage des accessoires à monter doit correspondre à celui de l'axe de la meuleuse. Pour les accessoires montés à l'aide de flasques, la taille de l'alésage de l'accessoire doit correspondre au diamètre du flasque.** Les accessoires qui ne sont pas bien adaptés à la taille de la pièce où ils sont montés sur l'outil électrique se déséquilibreront, vibreront trop et pourront entraîner une perte de maîtrise de l'outil.
7. **N'utilisez jamais un accessoire endommagé. Avant chaque utilisation, assurez-vous que la meule abrasive est exempte de copeaux et fissures, que la semelle n'est pas fissurée, déchirée ou trop usée, ou que la brosse métallique est exempte de fils métalliques lâches ou cassés.** Si vous lâchez l'outil électrique ou un accessoire, assurez-vous qu'il n'est pas endommagé ou bien remplacez l'accessoire endommagé. Après avoir vérifié et posé un accessoire, assurez-vous que personne, y compris vous-même, ne se trouve dans la trajectoire de l'accessoire en rotation et faites tourner l'outil électrique à vitesse à vide maximale pendant une minute. Les accessoires endommagés se brisent généralement au cours de cette période d'essai.
8. **Portez un équipement de protection individuelle. Suivant le type de travail à effectuer, utilisez un écran facial, des lunettes à coques ou des lunettes de sécurité. Si nécessaire, portez un masque anti-poussière, des protège-tympons, des gants et un tablier de travail pouvant arrêter les particules abrasives ou les fragments de pièce.** La protection oculaire doit pouvoir arrêter les débris volants produits par les diverses opérations. Le masque anti-poussières ou le masque filtrant doit pouvoir filtrer les particules générées lors des travaux. Une exposition prolongée à un bruit d'intensité élevée peut entraîner une perte auditive.

9. **Assurez-vous que les passants demeurent à une distance sûre de la zone de travail. Toute personne pénétrant dans la zone de travail doit porter un équipement de protection individuelle.** Des fragments de pièce ou un accessoire cassé peuvent être éjectés et blesser les personnes au-delà de la zone immédiate de travail.
10. **Tenez l'outil électrique uniquement par ses surfaces de prise isolées, lors d'une opération au cours de laquelle l'outil de coupe peut entrer en contact avec un fil caché.** Le contact avec un fil « sous tension » mettra également « sous tension » les parties métalliques exposées de l'outil électrique, pouvant ainsi causer un choc électrique chez l'utilisateur.
11. **Ne déposez jamais l'outil électrique avant que l'accessoire ne se soit parfaitement arrêté.** L'accessoire en rotation peut accrocher la surface et projeter l'outil électrique de telle sorte que vous en perdiez la maîtrise.
12. **Ne transportez pas l'outil électrique tout en le laissant tourner.** En cas de contact accidentel avec l'accessoire en rotation, ce dernier risque d'accrocher vos vêtements et d'être entraîné vers votre corps.
13. **Nettoyez régulièrement les orifices d'aération de l'outil électrique.** Le ventilateur du moteur aspire la poussière à l'intérieur du carter, ce qui présente un danger électrique en cas d'accumulation excessive de poussières métalliques.
14. **N'utilisez pas l'outil électrique près de matériaux inflammables.** Les étincelles risqueraient d'enflammer ces matériaux.
15. **N'utilisez pas d'accessoires nécessitant un liquide de refroidissement.** L'utilisation d'eau ou d'un liquide de refroidissement comporte un risque d'électrocution ou de choc électrique.
2. **Ne placez jamais la main près d'un accessoire en rotation.** L'accessoire risquerait de passer sur votre main en cas de choc en retour.
3. **Ne vous placez pas dans la zone vers laquelle l'outil électrique se déplacera en cas de choc en retour.** Le choc en retour projettera l'outil dans le sens opposé au mouvement de la meule au point où elle accroche dans la pièce.
4. **Soyez tout particulièrement prudent lorsque vous travaillez sur les coins, les arêtes vives, etc. Évitez de laisser l'accessoire sautiller ou accrocher.** L'accessoire en rotation a tendance à accrocher dans les coins, sur les arêtes vives ou lorsqu'il sautille, ce qui comporte un risque de perte de maîtrise ou de choc en retour.
5. **Ne fixez pas une chaîne de coupe, une lame à sculpter le bois ou une lame de scie dentée.** De telles lames causent fréquemment des chocs en retour et des pertes de maîtrise.

#### Consignes de sécurité spécifiques aux opérations de meulage et de tronçonnage abrasif :

1. **Utilisez exclusivement les types de meule recommandés pour votre outil électrique, et le carter de protection conçu spécifiquement pour la meule sélectionnée.** Les meules pour lesquelles l'outil électrique n'a pas été conçu ne pourront pas être protégées correctement et se révéleront dangereuses.
  2. **La surface de meulage des meules à moyeu déporté doit être montée sous le plan de la lèvre du carter de protection.** Si la meule n'est pas bien montée et dépasse le plan de la lèvre du carter de protection, celui-ci ne pourra pas assurer une protection adéquate.
  3. **Le carter de protection doit être solidement fixé à l'outil électrique et placé de façon à assurer une sécurité maximale en ne laissant qu'une partie minimale de la meule exposée du côté de l'utilisateur.** Le carter de protection permet de protéger l'utilisateur des éclats de meule brisée, d'un contact accidentel avec la meule et des étincelles qui pourraient enflammer ses vêtements.
  4. **Les meules ne doivent être utilisées que pour les applications recommandées. Par exemple : ne procédez pas au meulage avec le côté de la meule à tronçonner.** Les meules à tronçonner abrasives étant conçues pour le meulage périphérique, elles risquent de voler en éclats si on leur applique une force latérale.
  5. **Utilisez toujours des flasques pour meule en bon état, dont la taille et la forme correspondent à la meule sélectionnée.** Des flasques pour meule adéquats soutiennent la meule et réduisent ainsi les risques de rupture de la meule. Les flasques pour meules à tronçonner peuvent être différents de ceux pour meules ordinaires.
  6. **N'utilisez pas de meules usées provenant d'outils électriques plus grands.** Les meules conçues pour des outils électriques plus grands ne conviennent pas à la vitesse supérieure d'un outil plus petit et risquent d'éclater.
- Mises en garde concernant le choc en retour et autres dangers**
- Le choc en retour est une réaction soudaine qui survient lorsque la meule, la semelle, la brosse ou un autre accessoire en rotation se coince ou accroche. Lorsque l'accessoire en rotation se coince ou accroche, il s'arrête soudainement et l'utilisateur perd alors la maîtrise de l'outil électrique projeté dans le sens contraire de sa rotation au point où il se coince dans la pièce.
- Par exemple, si une meule abrasive accroche ou se coince dans la pièce, son tranchant introduit au point de pincement risque d'y creuser la surface du matériau, entraînant la sortie ou le déchaussement de la meule. La meule peut alors dévier de sa trajectoire, vers l'utilisateur ou dans le sens opposé, selon la direction du mouvement de la meule au point de pincement. Dans ces conditions, la meule abrasive risque également de se briser.
- Le choc en retour est le résultat d'une utilisation incorrecte de l'outil électrique et/ou de l'observation des procédures ou conditions d'utilisation. Il peut être évité en prenant les précautions adéquates indiquées ci-dessous.
1. **Maintenez une poigne ferme sur l'outil électrique et placez corps et bras de façon à pouvoir résister à la force exercée par les chocs en retour. Utilisez toujours la poignée auxiliaire, s'il y en a une, pour avoir une maîtrise maximale de l'outil en cas de choc en retour ou de force de réaction exercée au moment du démarrage.** L'utilisateur peut maîtriser les forces de réaction ou de choc en retour s'il prend les précautions adéquates.

### Consignes de sécurité supplémentaires spécifiques aux travaux de tronçonnage abrasif :

1. **Évitez de « bloquer » la meule à tronçonner ou d'appliquer une pression excessive. N'essayez pas de couper trop profondément.** Une meule trop sollicitée subira une surcharge et risquera de se tordre ou de se coincer dans la ligne de coupe, ce qui comporte un risque de choc en retour ou de bris de la meule.
2. **Ne vous placez pas directement derrière ou devant la meule en rotation.** Lorsque la meule, en cours de fonctionnement, s'écarte de votre corps, le choc en retour potentiel risque de propulser la meule en rotation et l'outil électrique dans votre direction.
3. **Lorsque la meule se coince ou lorsque vous interrompez la coupe pour une raison quelconque, mettez l'outil électrique hors tension et maintenez-le immobile jusqu'à ce que la meule cesse complètement de tourner. Ne tentez jamais de retirer la meule à tronçonner de la coupe pendant que la meule tourne, sous peine de provoquer un choc en retour.** Identifiez la cause du grippage de la meule et prenez les mesures correctives pour y remédier.
4. **Ne reprenez pas la coupe telle quelle dans la pièce. Attendez que la meule ait atteint sa pleine vitesse avant de la réintroduire soigneusement dans la ligne de coupe.** Si vous redémarrez l'outil électrique alors qu'il se trouve encore dans la pièce à travailler, la meule risquera de se coincer, de remonter hors de la ligne de coupe ou de provoquer un choc en retour.
5. **Soutenez les panneaux ou les pièces de grande taille pour réduire les risques de coincement de la meule et de choc en retour.** Les pièces de grande taille ont tendance à ployer sous leur propre poids. Il est nécessaire de placer en dessous des cales à proximité de la ligne de coupe et près du rebord de la pièce de chaque côté de la meule.
6. **Redoublez de précaution lorsque vous faites une « coupe en plongée » dans un mur ou toute autre surface pouvant cacher des structures.** La meule, en dépassant derrière le mur ou la surface, peut couper des conduites de gaz ou d'eau, des fils électriques ou des objets pouvant causer un choc en retour.

### Consignes de sécurité spécifiques aux travaux de ponçage :

1. **N'utilisez pas de feuilles de papier abrasif trop grandes. Suivez les recommandations du fabricant pour choisir le papier abrasif.** Une grande feuille de papier abrasif débordant du coussin de ponçage présente un risque de laceration et pourrait déchirer le disque, l'accrocher ou provoquer un choc en retour.

### Consignes de sécurité spécifiques aux travaux de brossage métallique :

1. **N'oubliez pas que des fils métalliques se détachent de la brosse même lors de travaux ordinaires. Ne soumettez pas les fils métalliques à une surcharge en appliquant une pression excessive sur la brosse.** Les fils métalliques pénètrent facilement dans les vêtements légers et/ou dans la peau.

2. **Si l'utilisation d'un carter de protection est recommandée pour le brossage métallique, assurez-vous que la meule ou brosse métallique ne gêne pas le carter de protection.** Selon la charge de travail et l'intensité de la force centrifuge, le diamètre de la meule ou brosse métallique peut augmenter.

### Consignes de sécurité supplémentaires :

1. **Lors de l'utilisation des meules ordinaires à moyeu déporté, assurez-vous d'utiliser exclusivement des meules renforcées de fibre de verre.**
2. **N'UTILISEZ JAMAIS une meule boisseau pour pierre avec cette meuleuse.** Cette meuleuse n'est pas conçue pour ces types de meule, et leur utilisation peut entraîner de graves blessures.
3. **Prenez garde de ne pas endommager le support X-LOCK.** La meule risque de casser si ces pièces sont endommagées.
4. **Assurez-vous que la meule n'entre pas en contact avec la pièce avant de mettre l'outil sous tension.**
5. **Avant d'utiliser l'outil sur une pièce, faites-le tourner un instant à vide. Soyez attentif aux vibrations ou sautilllements pouvant indiquer que la meule n'est pas bien posée ou qu'elle est mal équilibrée.**
6. **Utilisez la surface spécifiée de la meule pour meuler.**
7. **N'abandonnez pas l'outil alors qu'il tourne. Ne faites fonctionner l'outil qu'une fois que vous l'avez bien en main.**
8. **Ne touchez pas la pièce immédiatement après avoir terminé le travail ; elle peut être très chaude et vous brûler la peau.**
9. **Ne touchez pas les accessoires immédiatement après avoir terminé le travail ; ils peuvent être très chauds et vous brûler la peau.**
10. **Suivez les instructions du fabricant pour un montage adéquat et une utilisation appropriée des meules. Manipulez et rangez les meules soigneusement.**
11. **N'utilisez pas de bagues de réduction ou d'adaptateurs vendus dans le commerce pour adapter des meules abrasives dont l'orifice central est grand.**
12. **Assurez-vous que la pièce à travailler est correctement soutenue.**
13. **N'oubliez pas que la meule continue de tourner une fois l'outil éteint.**
14. **Si le lieu de travail est extrêmement chaud et humide, ou fortement pollué de poussières conductrices, utilisez un disjoncteur (30 mA) pour assurer la sécurité de l'utilisateur.**
15. **N'utilisez l'outil avec aucun matériau contenant de l'amiante.**
16. **Lorsque vous utilisez une meule à tronçonner, travaillez toujours avec le carter de meule de collecte de la poussière exigé par la réglementation locale.**
17. **Aucune pression latérale ne doit être exercée sur les disques de coupe.**
18. **N'utilisez pas de gants de travail en tissu pendant la tâche.** Les fibres des gants en tissu peuvent pénétrer dans l'outil et le casser.

19. Avant utilisation, assurez-vous qu'aucun objet tel que des conduites électriques, des tuyaux d'eau ou des tuyaux de gaz n'est enterré sous la zone de travail. Cela pourrait entraîner une électrocution, une dispersion électrique ou une fuite de gaz.

## CONSERVEZ CES INSTRUCTIONS.

**⚠️ AVERTISSEMENT : NE vous laissez PAS tromper (au fil d'une utilisation répétée) par un sentiment d'aisance et de familiarité avec le produit, en négligeant le respect rigoureux des consignes de sécurité qui accompagnent le produit en question. La MAUVAISE UTILISATION de l'outil ou l'ignorance des consignes de sécurité indiquées dans ce mode d'emploi peut entraîner de graves blessures.**

### Consignes de sécurité importantes pour la batterie

1. Avant d'utiliser la batterie, lisez toutes les instructions et précautions relatives (1) au chargeur de batterie, (2) à la batterie, et (3) au produit utilisant la batterie.
2. Ne désassemblez pas et ne modifiez pas la batterie. Cela pourrait entraîner un incendie, une chaleur excessive ou une explosion.
3. Cessez immédiatement l'utilisation si le temps de fonctionnement devient excessivement court. Il y a risque de surchauffe, de brûlures, voire d'explosion.
4. Si l'électrolyte pénètre dans vos yeux, rincez-les à l'eau claire et consultez immédiatement un médecin. Il y a risque de perte de la vue.
5. Ne court-circuitez pas la batterie :
  - (1) Ne touchez pas les bornes avec aucun matériau conducteur.
  - (2) Évitez de ranger la batterie dans un conteneur avec d'autres objets métalliques, par exemple des clous, des pièces de monnaie, etc.
  - (3) N'exposez pas la batterie à l'eau ou à la pluie.Un court-circuit de la batterie peut provoquer une intensité de courant élevée, une surchauffe, parfois des brûlures et même une panne.
6. Ne rangez ni n'utilisez l'outil et la batterie dans un endroit où la température risque d'atteindre ou de dépasser 50 °C.
7. Ne jetez pas la batterie au feu même si elle est sérieusement endommagée ou complètement épuisée. La batterie peut exploser au contact du feu.
8. Abstenez-vous de clouer, couper, écraser, jeter, laisser tomber la batterie, ou de la heurter contre un objet dur. Cela pourrait entraîner un incendie, une chaleur excessive ou une explosion.
9. N'utilisez pas la batterie si elle est endommagée.
10. Les batteries au lithium-ion contenues sont soumises aux exigences de la législation sur les marchandises dangereuses. Lors du transport commercial par des tiers parties ou des transitaires par exemple, des exigences spécifiques en matière d'étiquetage et d'emballage doivent être respectées. Pour la préparation de l'article expédié, il est nécessaire de consulter un expert en matériel dangereux. Veuillez également respecter les réglementations nationales susceptibles d'être plus détaillées. Recouvrez les contacts exposés avec du ruban adhésif ou du ruban de masquage et emballez la batterie de telle sorte qu'elle ne puisse pas bouger dans l'emballage.
11. Lors de la mise au rebut de la batterie, retirez-la de l'outil et jetez-la en lieu sûr. Suivez les réglementations locales en matière de mise au rebut des batteries.
12. Utilisez les batteries uniquement avec les produits spécifiés par Makita. L'insertion de batteries dans des produits non conformes peut provoquer un incendie, une chaleur excessive, une explosion ou une fuite de l'électrolyte.
13. Lorsque vous n'utilisez pas l'outil pendant une période prolongée, la batterie doit être retirée de l'outil.
14. Pendant et après l'utilisation, la batterie peut chauffer, ce qui peut entraîner des brûlures, y compris en cas de température relativement basse. Manipulez les batteries chaudes avec précaution.
15. Ne touchez pas la borne de l'outil immédiatement après utilisation car elle peut être assez chaude pour provoquer des brûlures.
16. Évitez que des copeaux, de la poussière ou du sol adhérent aux bornes, aux trous et aux rainures de la batterie. Cela pourrait réduire les performances ou casser l'outil ou la batterie.
17. À moins que l'outil prenne en charge un tel usage, n'utilisez pas la batterie à proximité de lignes électriques haute tension. Cela pourrait entraîner un dysfonctionnement ou casser l'outil ou la batterie.
18. Conservez la batterie hors de portée des enfants.

## CONSERVEZ CES INSTRUCTIONS.

**⚠️ ATTENTION : N'utilisez que des batteries Makita d'origine.** L'utilisation de batteries de marque autre que Makita ou de batteries modifiées peut provoquer l'explosion des batteries, ce qui présente un risque d'incendie, de dommages matériels et corporels. Cela annulera également la garantie Makita pour l'outil et le chargeur Makita.

## Conseils pour assurer la durée de vie optimale de la batterie

1. Chargez la batterie avant qu'elle ne soit complètement déchargée. Arrêtez toujours l'outil et rechargez la batterie quand vous remarquez que la puissance de l'outil diminue.
2. Ne rechargez jamais une batterie complètement chargée. La surcharge réduit la durée de service de la batterie.
3. Chargez la batterie à une température ambiante comprise entre 10 °C et 40 °C. Avant de recharger une batterie chaude, laissez-la refroidir.
4. Lorsque vous n'utilisez pas la batterie, retirez-la de l'outil ou du chargeur.
5. Rechargez la batterie si elle est restée inutilisée pendant une période prolongée (plus de six mois).

## DESCRIPTION DU FONCTIONNEMENT

**ATTENTION** : Assurez-vous toujours que l'outil est hors tension et que sa batterie est retirée avant de l'ajuster ou de vérifier son fonctionnement.

### Insertion ou retrait de la batterie

**ATTENTION** : Éteignez toujours l'outil avant de mettre en place ou de retirer la batterie.

**ATTENTION** : Tenez fermement l'outil et la batterie lors de la mise en place ou du retrait de la batterie. Si vous ne tenez pas fermement l'outil et la batterie, ils peuvent vous glisser des mains, et s'abîmer ou vous blesser.

► Fig.1: 1. Indicateur rouge 2. Bouton 3. Batterie

Pour retirer la batterie, faites-la glisser hors de l'outil tout en faisant glisser le bouton à l'avant de la batterie.

Pour mettre la batterie en place, alignez la languette de la batterie avec la rainure du compartiment puis insérez la batterie. Insérez-la entièrement jusqu'à entendre un léger déclic indiquant qu'elle est bien en place. Si vous pouvez voir l'indicateur rouge comme illustré sur la figure, c'est qu'elle n'est pas bien verrouillée.

**ATTENTION** : Insérez toujours complètement la batterie jusqu'à ce que l'indicateur rouge ne soit plus visible. Sinon, elle pourrait tomber accidentellement de l'outil, au risque de vous blesser ou de blesser quelqu'un se trouvant près de vous.

**ATTENTION** : N'insérez pas la batterie de force. Si elle ne glisse pas facilement, c'est que vous ne l'insérez pas correctement.

## Indication de la charge restante de la batterie

Uniquement pour les batteries avec voyant lumineux

► Fig.2: 1. Témoins 2. Bouton de vérification

Appuyez sur le bouton de vérification sur la batterie pour indiquer la charge restante de la batterie. Les témoins s'allument pendant quelques secondes.

Témoins			Charge restante
Allumé	Éteint	Clignotant	
■	■	■	75 % à 100 %
■	■	□	50 % à 75 %
■	□	□	25 % à 50 %
■	□	□	0 % à 25 %
◐	□	□	Chargez la batterie.
■	■	□	Anomalie possible de la batterie.
□	□	■	

**NOTE** : Selon les conditions d'utilisation et la température ambiante, l'indication peut être légèrement différente de la capacité réelle.

**NOTE** : Le premier témoin (complètement à gauche) clignotera pendant le fonctionnement du système de protection de la batterie.

## Indication de la charge restante de la batterie

Lorsque vous mettez l'outil sous tension, le témoin de la batterie indique la charge restante de la batterie.

► Fig.3: 1. Témoin de la batterie

La charge restante de la batterie est indiquée conformément au tableau ci-dessous.

Statut du témoin de la batterie			Charge restante de la batterie
Allumé	Éteint	Clignotant	
■	■	■	50 % à 100 %
■	■	□	20 % à 50 %
■	□	□	0 % à 20 %
◐	□	□	Chargez la batterie

## Système de protection de l'outil/la batterie

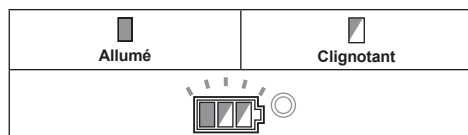
L'outil est équipé d'un système de protection de l'outil/la batterie. Ce système coupe automatiquement l'alimentation vers le moteur pour prolonger la durée de vie de l'outil et de la batterie. Si l'outil ou la batterie se trouve dans l'une des situations suivantes, l'outil cessera automatiquement de fonctionner.

### Protection contre la surcharge

Lorsque l'outil ou la batterie est utilisé d'une manière provoquant un appel de courant anormalement élevé, l'outil s'arrête automatiquement sans indication. Dans ce cas, éteignez l'outil et arrêtez la tâche ayant provoqué la surcharge de l'outil. Puis rallumez l'outil pour reprendre la tâche.

### Protection contre la surchauffe

En cas de surchauffe de l'outil, celui-ci s'arrête automatiquement et le témoin de la batterie indique l'état suivant. Dans ce cas, laissez l'outil refroidir avant de le rallumer.



Si l'outil ne démarre pas, c'est que la batterie a peut-être surchauffé. Dans ce cas, laissez la batterie refroidir avant de redémarrer l'outil.

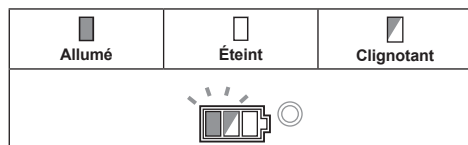
### Protection contre la décharge totale de la batterie

Lorsque la charge de la batterie est insuffisante, l'outil s'arrête automatiquement. Dans ce cas, retirez la batterie de l'outil et chargez-la.

### Déverrouillage de la protection

Lorsque le système de protection s'enclenche à plusieurs reprises, l'outil est verrouillé et le témoin de la batterie indique l'état suivant.

Dans ce cas, l'outil ne démarre pas même si vous l'éteignez, puis l'allumez. Pour déverrouiller la protection, retirez la batterie, placez-la sur le chargeur de batterie et patientez jusqu'à ce que la charge soit terminée.



## Interrupteur

**⚠ ATTENTION :** Avant d'insérer la batterie dans l'outil, vérifiez toujours que l'interrupteur à glissière fonctionne correctement et revient sur la position « Arrêt » lorsque vous enfoncez l'arrière de l'interrupteur à glissière.

**⚠ ATTENTION :** L'interrupteur peut être verrouillé sur la position « Marche » pour améliorer le confort de l'utilisateur pendant une utilisation prolongée. Soyez prudent lorsque vous verrouillez l'outil sur la position « Marche » et tenez-le fermement.

Pour démarrer l'outil, enfoncez l'arrière de l'interrupteur à glissière, puis poussez-le sur la position « I » (Marche). Pour un fonctionnement continu, enfoncez l'avant de l'interrupteur à glissière pour le verrouiller.

► Fig.4: 1. Interrupteur à glissière

Pour arrêter l'outil, enfoncez l'arrière de l'interrupteur à glissière pour qu'il retourne sur la position « O » (Arrêt).

► Fig.5: 1. Interrupteur à glissière

## Fonction de changement automatique de vitesse

► Fig.6: 1. Témoin de mode

Statut du témoin de mode	Mode de fonctionnement
	Mode grande vitesse
	Mode couple élevé

Cet outil est pourvu d'un « mode grande vitesse » et d'un « mode couple élevé ». Il change automatiquement de mode de fonctionnement en fonction de la charge de travail. Lorsque le témoin de mode s'allume pendant le fonctionnement, l'outil est en mode couple élevé.

## Fonction de prévention de redémarrage accidentel

Lors de l'installation de la batterie avec l'interrupteur à glissière sur la position « I » (Marche), l'outil ne démarre pas.

Pour démarrer l'outil, faites d'abord glisser l'interrupteur à glissière vers la position « O » (Arrêt), puis faites-le glisser vers la position « I » (Marche).

## Technologie de détection de réaction active

L'outil détecte électroniquement des situations où la meule ou l'accessoire peuvent être exposés à un risque de pincement. Dans ce cas, l'outil est automatiquement éteint pour empêcher la rotation de l'axe (le choc en retour n'est pas empêché).

Pour redémarrer l'outil, commencez par l'éteindre, éliminez la cause de la baisse soudaine de la vitesse de rotation, puis allumez l'outil.

## Fonction de démarrage en douceur

La fonction de démarrage en douceur réduit le choc de démarrage.

## ASSEMBLAGE

**⚠ ATTENTION** : Assurez-vous toujours que l'outil est hors tension et que sa batterie est retirée avant de l'ajuster ou de vérifier son fonctionnement.

### Pose de la poignée latérale

**⚠ ATTENTION** : Avant l'utilisation, assurez-vous toujours que la poignée latérale est fermement posée.

Vissez fermement la poignée latérale sur la position de l'outil comme indiqué sur la figure.

► Fig.7

### Pose et dépose du carter de meule

**⚠ AVERTISSEMENT** : Pendant l'utilisation d'une meule à moyeu déporté, d'un disque à lamelles ou d'une brosse métallique circulaire, le carter de meule doit être posé sur l'outil de manière à toujours se refermer du côté de l'utilisateur.

**⚠ AVERTISSEMENT** : Assurez-vous que le carter de meule est solidement verrouillé par le levier de verrouillage via l'un des orifices sur le carter de meule.

**⚠ AVERTISSEMENT** : Pendant l'utilisation d'une meule à tronçonner abrasive/meule diamantée, vous devez utiliser exclusivement le carter de meule spécialement conçu pour les meules à tronçonner.

(Dans certains pays d'Europe, il est possible d'utiliser le carter de protection ordinaire avec une meule diamantée. Respectez la réglementation en vigueur dans votre pays.)

### Pour meule à moyeu déporté, disque à lamelles, brosse métallique circulaire/meule à tronçonner abrasive, meule diamantée

1. Tout en poussant le levier de verrouillage, montez le carter de meule en alignant les parties saillantes du carter de meule sur les entailles du boîtier de roulement.

► Fig.8: 1. Levier de verrouillage 2. Entaille 3. Partie saillante

2. Tout en poussant le levier de verrouillage dans le sens A, poussez le carter de meule en maintenant enfoncées les parties B, comme illustré sur la figure.

► Fig.9: 1. Carter de meule 2. Orifice

**NOTE** : Enfoncez bien droit le carter de meule. Autrement, vous ne pourrez pas le pousser complètement.

3. Tout en conservant la position du levier de verrouillage et du carter de meule comme décrit à l'étape 2, faites tourner le carter de meule dans le sens C, puis changez l'angle du carter de meule en fonction de la tâche.

► Fig.10: 1. Carter de meule 2. Orifice

**NOTE** : Enfoncez complètement le carter de meule. Autrement, vous ne pourrez pas le faire tourner.

Pour retirer le carter de meule, effectuez la procédure de pose dans l'ordre inverse.

### Lorsque vous utilisez une meule à moyeu déporté ou un disque à lamelles

*Accessoire en option*

**⚠ AVERTISSEMENT** : Pour l'utilisation d'une meule à moyeu déporté ou d'un disque à lamelles, le carter de meule doit être posé sur l'outil de manière à toujours se refermer du côté de l'utilisateur.

► Fig.11: 1. Meule à moyeu déporté 2. Carter de meule

### Lors d'une utilisation avec une meule à tronçonner abrasive / meule diamantée

*Accessoire en option*

**⚠ AVERTISSEMENT** : Pendant l'utilisation d'une meule à tronçonner abrasive/meule diamantée, vous devez utiliser exclusivement le carter de meule spécialement conçu pour les meules à tronçonner.

(Dans certains pays d'Europe, il est possible d'utiliser le carter de protection ordinaire avec une meule diamantée. Respectez la réglementation en vigueur dans votre pays.)

**⚠ AVERTISSEMENT** : N'utilisez JAMAIS une meule à tronçonner pour faire du meulage latéral.

► Fig.12: 1. Meule à tronçonner abrasive/Meule diamantée 2. Carter de meule pour meule à tronçonner abrasive/meule diamantée

### Pose d'une brosse métallique à coupelle

*Accessoire en option*

**⚠ ATTENTION** : N'utilisez pas la brosse métallique à coupelle si elle est abîmée ou déséquilibrée. L'utilisation d'une brosse abîmée augmente le risque de blessure au contact des fils métalliques cassés de la brosse.

► Fig.13: 1. Brosse métallique à coupelle



## Pose d'une brosse métallique circulaire

### Accessoire en option

**⚠ ATTENTION** : N'utilisez pas la brosse métallique circulaire si elle est abîmée ou déséquilibrée. L'utilisation d'une brosse métallique circulaire abîmée augmente le risque de blessure au contact des fils métalliques cassés de la brosse.

**⚠ ATTENTION** : Utilisez TOUJOURS le carter de protection avec les brosses métalliques circulaires, en vous assurant que le diamètre de la meule tient dans le carter de protection. La brosse peut se briser en éclats pendant l'utilisation ; le cas échéant, le carter contribue à réduire les risques de blessure.

► Fig.14: 1. Brosse métallique circulaire 2. Carter de meule

## Pose ou dépose de la meule X-LOCK

**⚠ AVERTISSEMENT** : N'actionnez jamais le levier de déverrouillage du support X-LOCK pendant l'utilisation. Veillez à ce que la meule X-LOCK soit parfaitement immobile lorsque vous la retirez. Autrement, la meule X-LOCK se détache de l'outil, ce qui peut entraîner une grave blessure.

**⚠ ATTENTION** : Utilisez exclusivement des meules X-LOCK d'origine qui présentent le logo X-LOCK. Cet outil est dédié à X-LOCK.

La jauge de serrage maximale de 1,6 mm ne peut être garantie qu'avec les meules X-LOCK d'origine.

L'utilisation de n'importe quelle autre meule peut entraîner un serrage non sécurisé, et provoquer le détachement de l'outil de serrage.

**⚠ ATTENTION** : Ne touchez pas la meule X-LOCK immédiatement après usage. Elle peut être extrêmement chaude et vous brûler la peau.

**⚠ ATTENTION** : Veillez à ce que la meule X-LOCK et le support de l'outil ne soient pas déformés et soient exempts de poussière et de corps étrangers.

**⚠ ATTENTION** : Ne placez pas votre doigt près du support lorsque vous posez ou déposez la meule X-LOCK. Vous pourriez vous pincer le doigt.

**⚠ ATTENTION** : Ne placez pas votre doigt près du levier de déverrouillage lorsque vous installez la meule X-LOCK. Vous pourriez vous pincer le doigt.

**NOTE** : Aucune pièce supplémentaire telle que des flasques intérieurs ou des contre-écrous n'est requise pour poser ou déposer une meule X-LOCK.

1. Pour poser la meule X-LOCK, veillez à ce que les deux crans soient en position non verrouillée. Sinon, poussez le levier de déverrouillage du côté A pour soulever le côté B, puis tirez le levier de déverrouillage du côté B comme illustré. Les crans sont placés en position déverrouillée.

► Fig.15: 1. Cran 2. Levier de déverrouillage

2. Placez la meule X-LOCK en position centrale sur le support.

Veillez à ce que la meule X-LOCK soit parallèle par rapport à la surface du flasque et avec le bon côté vers le haut.

3. Poussez la meule X-LOCK dans le support. Les crans s'enclipsent en position verrouillée en émettant un clic et ils fixent la meule X-LOCK.

► Fig.16: 1. Meule X-LOCK 2. Support 3. Surface du flasque 4. Cran

4. Veillez à ce que la meule X-LOCK soit correctement fixée. La surface de la meule X-LOCK ne doit pas dépasser la surface du support comme l'illustre la figure.

Sinon, il convient de nettoyer le support ou de ne pas utiliser la meule X-LOCK.

► Fig.17: 1. Surface du support 2. Surface de la meule X-LOCK

Pour retirer la meule X-LOCK, poussez le levier de déverrouillage du côté A pour soulever le côté B, puis tirez le levier de déverrouillage du côté B comme illustré.

La meule X-LOCK est déverrouillée et peut être déposée.

► Fig.18: 1. Levier de déverrouillage

## UTILISATION

**⚠ AVERTISSEMENT** : Il n'est jamais nécessaire de forcer l'outil. Le poids de l'outil suffit pour appliquer une pression adéquate. En forçant l'outil ou en appliquant une pression excessive, vous risquez de provoquer un dangereux éclatement de la meule.

**⚠ AVERTISSEMENT** : Remplacez TOUJOURS la meule si vous laissez tomber l'outil en meulant.

**⚠ AVERTISSEMENT** : Ne frappez ni ne heurtez JAMAIS la meule contre la pièce à travailler.

**⚠ AVERTISSEMENT** : Évitez de laisser la meule sautiller ou accrocher, tout spécialement lorsque vous travaillez dans des coins, sur des angles vifs, etc. Il y a un risque de perte de contrôle de l'outil et de choc en retour.

**⚠ AVERTISSEMENT** : N'utilisez JAMAIS l'outil avec des lames à bois et autres lames de scie. Utilisées sur une meuleuse, ces lames reculent souvent et causent une perte de contrôle, ce qui comporte un risque de blessure.

**⚠ AVERTISSEMENT** : N'actionnez jamais le levier de déverrouillage du support X-LOCK pendant l'utilisation. La meule X-LOCK se détache de l'outil, ce qui peut entraîner une blessure.

**⚠ AVERTISSEMENT** : Veillez à ce que la meule X-LOCK soit solidement fixée.

**⚠ ATTENTION** : Ne faites jamais démarrer l'outil alors qu'il touche la pièce à travailler ; il y a risque de blessure pour l'utilisateur.

**⚠ ATTENTION** : Portez toujours des lunettes à coques ou un écran facial pendant l'utilisation.

**⚠ ATTENTION** : Une fois le travail terminé, mettez toujours l'outil hors tension et attendez l'arrêt complet de la meule avant de déposer l'outil.

**⚠ ATTENTION** : Tenez TOUJOURS l'outil fermement, avec une main sur le carter de l'outil et l'autre main sur la poignée latérale (poignée).

## Meulage et ponçage

► Fig.19

Faites démarrer l'outil, puis appliquez la meule ou le disque sur la pièce à travailler.

En général, maintenez le bord de la meule ou du disque à un angle d'environ 15° par rapport à la surface de la pièce à travailler.

Pendant la période de rodage d'une meule neuve, ne faites pas avancer la meuleuse dans le sens avant sous peine de couper la pièce à travailler. Une fois le bord de la meule rodé, la meule peut être utilisée dans les sens avant et arrière.

## Utilisation avec une meule à tronçonner abrasive/meule diamantée

*Accessoire en option*

**⚠ AVERTISSEMENT** : Évitez de « bloquer » la meule ou d'appliquer une pression excessive. N'essayez pas de couper trop profondément. Un travail trop intense augmente la charge de l'outil, peut forcer la meule à se tordre ou à coincer dans la pièce, ce qui comporte un risque de choc en retour, d'éclatement de la meule ou de surchauffe du moteur.

**⚠ AVERTISSEMENT** : Ne commencez pas la coupe avec l'outil engagé dans la pièce à travailler. Attendez que la meule ait atteint sa pleine vitesse, puis faites pénétrer l'outil prudemment dans la ligne de coupe en le faisant avancer à la surface de la pièce à travailler. La meule peut se coincer, remonter hors de la ligne de coupe ou effectuer un choc en retour si vous faites démarrer l'outil électrique alors qu'il est engagé dans la pièce à travailler.

**⚠ AVERTISSEMENT** : Ne modifiez jamais l'angle de la meule pendant l'exécution de la coupe. L'application d'une pression latérale sur la meule à tronçonner (comme pour le meulage) fera se fissurer et éclater la meule, ce qui comporte un risque de blessure grave.

**⚠ AVERTISSEMENT** : Une meule diamantée doit être utilisée perpendiculairement au matériau à couper.

Exemple d'utilisation : utilisation avec la meule à tronçonner abrasive

► Fig.20

Exemple d'utilisation : utilisation avec la meule diamantée

► Fig.21

## Utilisation avec la brosse métallique à coupelle

*Accessoire en option*

**⚠ ATTENTION** : Vérifiez le fonctionnement de la brosse en faisant tourner l'outil à vide, après vous être assuré que personne ne se trouve devant ou dans la trajectoire de la brosse.

**REMARQUE** : Évitez d'appliquer une pression excessive pour éviter de trop courber les fils lors de l'utilisation de la brosse métallique à coupelle. Ce qui pourrait provoquer leur usure prématurée.

Exemple d'utilisation : utilisation avec la brosse métallique à coupelle

► Fig.22

## Utilisation avec la brosse métallique circulaire

*Accessoire en option*

**⚠ ATTENTION** : Vérifiez le fonctionnement de la brosse métallique circulaire en faisant tourner l'outil à vide, après vous être assuré que personne ne se trouve devant ou dans la trajectoire de la brosse métallique circulaire.

**REMARQUE** : Évitez d'appliquer une pression excessive pour éviter de trop courber les fils lors de l'utilisation de la brosse métallique circulaire. Ce qui pourrait provoquer leur usure prématurée.

Exemple d'utilisation : utilisation avec la brosse métallique circulaire

► Fig.23

## ENTRETIEN

**⚠ ATTENTION** : Assurez-vous toujours que l'outil est hors tension et que la batterie est retirée avant d'y effectuer tout travail d'inspection ou d'entretien.

**REMARQUE** : N'utilisez jamais d'essence, benzine, diluant, alcool ou autre produit similaire. Cela risquerait de provoquer la décoloration, la déformation ou la fissuration de l'outil.

Pour assurer la SÉCURITÉ et la FIABILITÉ du produit, toute réparation, tout travail d'entretien ou de réglage doivent être effectués par un centre de service après-vente Makita agréé, exclusivement avec des pièces de rechange Makita.

## Nettoyage des orifices d'aération

L'outil et ses orifices d'aération doivent être conservés propres. Nettoyez régulièrement les orifices d'aération de l'outil ou dès qu'ils sont obstrués.

► **Fig.24:** 1. Orifice de sortie d'air 2. Orifice d'entrée d'air

Retirez le pare-poussière de l'orifice d'entrée d'air et nettoyez-le pour faciliter la circulation de l'air.

► **Fig.25:** 1. Pare-poussière

**REMARQUE :** Nettoyez bien le pare-poussière s'il est bouché par de la poussière ou des corps étrangers. Si vous continuez à utiliser l'outil alors que le pare-poussière est bouché, vous risquez d'endommager l'outil.

## ACCESSOIRES EN OPTION

**⚠ ATTENTION :** Ces accessoires ou pièces complémentaires sont recommandés pour l'utilisation avec l'outil Makita spécifié dans ce mode d'emploi. L'utilisation de tout autre accessoire ou pièce complémentaire peut comporter un risque de blessure. N'utilisez les accessoires ou pièces complémentaires qu'aux fins auxquelles ils ont été conçus.

Pour obtenir plus de détails sur ces accessoires, contactez votre centre d'entretien local Makita.

- Batterie et chargeur Makita d'origine

► **Fig.26**

1	Poignée 36
2	Carter de meule (pour meule ordinaire)
3	Meule à moyeu déporté/Disque à lamelles
4	Carter de meule (pour meule à tronçonner) *1
5	Meule à tronçonner abrasive/Meule diamantée
6	Brosse métallique circulaire
7	Brosse métallique à coupelle

**NOTE :** \*1 Dans certains pays d'Europe, avec une meule diamantée, il est possible d'utiliser le carter de protection ordinaire au lieu du carter spécial qui recouvre les deux côtés de la meule. Respectez la réglementation en vigueur dans votre pays.

**NOTE :** Il se peut que certains éléments de la liste soient compris dans l'emballage de l'outil en tant qu'accessoires standard. Ils peuvent varier d'un pays à l'autre.

## TECHNISCHE DATEN

<b>Modell:</b>	<b>DGA521</b>
Scheibendurchmesser	125 mm (5")
Max. Scheibendicke	6 mm
Nennzahl (n)	8.500 min <sup>-1</sup>
Gesamtlänge	375 mm
Nennspannung	18 V Gleichstrom
Nettogewicht	2,4 - 3,0 kg

- Wir behalten uns vor, Änderungen der technischen Daten im Zuge der Entwicklung und des technischen Fortschritts ohne vorherige Ankündigung vorzunehmen.
- Die technischen Daten können von Land zu Land unterschiedlich sein.
- Das Gewicht kann abhängig von dem Aufsatz (den Aufsätzen), einschließlich des Akkus, unterschiedlich sein. Die leichteste und die schwerste Kombination, gemäß dem EPTA-Verfahren 01/2014, sind in der Tabelle angegeben.

### Zutreffende Akkus und Ladegeräte

Akku	BL1815N / BL1820B / BL1830B / BL1840B / BL1850B / BL1860B
Ladegerät	DC18RC / DC18RD / DC18RE / DC18SD / DC18SE / DC18SF / DC18SH

- Einige der oben aufgelisteten Akkus und Ladegeräte sind je nach Ihrem Wohngebiet eventuell nicht erhältlich.

**⚠️ WARNUNG:** Verwenden Sie nur die oben aufgeführten Akkus und Ladegeräte. Bei Verwendung irgendwelcher anderer Akkus und Ladegeräte besteht Verletzungs- und/oder Brandgefahr.

### Empfohlene kabelgebundene Stromquelle

Rückentragbare Akku-Bank	PDC01
--------------------------	-------

- Die oben aufgelisteten kabelgebundenen Stromquellen sind je nach Ihrem Wohngebiet eventuell nicht erhältlich.
- Lesen Sie vor Gebrauch der kabelgebundenen Stromquelle die daran angebrachten Anweisungen und Warnmarkierungen durch.

### Vorgesehene Verwendung

Das Werkzeug ist für das Schleifen, Schmirgeln, Drahtbürsten und Schneiden von Metall- und Steinmaterial ohne den Gebrauch von Wasser vorgesehen.

### Geräusch

Typischer A-bewerteter Geräuschpegel ermittelt gemäß EN60745-2-3:

Schalldruckpegel (L<sub>PA</sub>): 80 dB (A)  
Messunsicherheit (K): 3 dB (A)

Der Geräuschpegel kann während des Betriebs 80 dB (A) überschreiten.

**HINWEIS:** Der (Die) angegebene(n) Schallemissionswert(e) wurde(n) im Einklang mit der Standardprüfmethode gemessen und kann (können) für den Vergleich zwischen Werkzeugen herangezogen werden.

**HINWEIS:** Der (Die) angegebene(n) Schallemissionswert(e) kann (können) auch für eine Vorbewertung des Gefährdungsgrads verwendet werden.

**⚠️ WARNUNG:** Einen Gehörschutz tragen.

**⚠️ WARNUNG:** Die Schallemission während der tatsächlichen Benutzung des Elektrowerkzeugs kann je nach der Benutzungsweise des Werkzeugs, und speziell je nach der Art des bearbeiteten Werkstücks, von dem (den) angegebenen Wert(en) abweichen.

**⚠️ WARNUNG:** Identifizieren Sie Sicherheitsmaßnahmen zum Schutz des Benutzers anhand einer Schätzung des Gefährdungsgrads unter den tatsächlichen Benutzungsbedingungen (unter Berücksichtigung aller Phasen des Arbeitszyklus, wie z. B. Ausschalt- und Leerlaufzeiten des Werkzeugs zusätzlich zur Betriebszeit).

## Schwingungen

Schwingungsgesamtwert (Drei-Achsen-Vektorsumme) ermittelt gemäß EN60745-2-3:

Arbeitsmodus: Oberflächenschleifen mit normalem Seitengriff

Vibrationsemission ( $a_{h,AG}$ ): 5,0 m/s<sup>2</sup>

Messunsicherheit (K): 1,5 m/s<sup>2</sup>

Arbeitsmodus: Oberflächenschleifen mit vibrationsfestem Seitengriff

Vibrationsemission ( $a_{h,AG}$ ): 6,5 m/s<sup>2</sup>

Messunsicherheit (K): 1,5 m/s<sup>2</sup>

Arbeitsmodus: Scheibenschleifen mit normalem Seitengriff

Vibrationsemission ( $a_{h,AG}$ ): 2,5 m/s<sup>2</sup> oder weniger

Messunsicherheit (K): 1,5 m/s<sup>2</sup>

Arbeitsmodus: Scheibenschleifen mit vibrationsfestem Seitengriff

Vibrationsemission ( $a_{h,AG}$ ): 2,5 m/s<sup>2</sup> oder weniger

Messunsicherheit (K): 1,5 m/s<sup>2</sup>

**HINWEIS:** Der (Die) angegebene(n)

Vibrationsgesamtwert(e) wurde(n) im Einklang mit der Standardprüfmethode gemessen und kann (können) für den Vergleich zwischen Werkzeugen herangezogen werden.

**HINWEIS:** Der (Die) angegebene(n)

Vibrationsgesamtwert(e) kann (können) auch für eine Vorbewertung des Gefährdungsgrads verwendet werden.

**⚠️ WARNUNG:** Die Vibrationsemission während der tatsächlichen Benutzung des Elektrowerkzeugs kann je nach der Benutzungsweise des Werkzeugs, und speziell je nach der Art des bearbeiteten Werkstücks, von dem (den) angegebenen Emissionswert(en) abweichen.

**⚠️ WARNUNG:** Identifizieren Sie Sicherheitsmaßnahmen zum Schutz des Benutzers anhand einer Schätzung des Gefährdungsgrads unter den tatsächlichen Benutzungsbedingungen (unter Berücksichtigung aller Phasen des Arbeitszyklus, wie z. B. Ausschalt- und Leerlaufzeiten des Werkzeugs zusätzlich zur Betriebszeit).

**⚠️ WARNUNG:** Der angegebene Schwingungsemissionswert wird für Hauptanwendungen des Elektrowerkzeugs verwendet. Wird das Elektrowerkzeug jedoch für andere Anwendungen verwendet, kann der Schwingungsemissionswert abweichen.

## EG-Konformitätserklärung

### Nur für europäische Länder

Die EG-Konformitätserklärung ist als Anhang A in dieser Bedienungsanleitung enthalten.

## SICHERHEITSWARNUNGEN

### Allgemeine Sicherheitswarnungen für Elektrowerkzeuge

**⚠️ WARNUNG:** Lesen Sie alle mit diesem Elektrowerkzeug gelieferten Sicherheitswarnungen, Anweisungen, Abbildungen und technischen Daten durch. Eine Missachtung der unten aufgeführten Anweisungen kann zu einem elektrischen Schlag, Brand und/oder schweren Verletzungen führen.

### Bewahren Sie alle Warnungen und Anweisungen für spätere Bezugnahme auf.

Der Ausdruck „Elektrowerkzeug“ in den Warnhinweisen bezieht sich auf Ihr mit Netzstrom (mit Kabel) oder Akku (ohne Kabel) betriebenes Elektrowerkzeug.

### Sicherheitswarnungen für Akku-Schleifer

Allgemeine Sicherheitswarnungen für Schleif-, Schmirgel-, Drahtbürsten- oder Trennschleifbetrieb:

- Dieses Elektrowerkzeug ist für Schleifen, Schmirgeln, Drahtbürsten oder Trennschleifen vorgesehen. Lesen Sie alle mit diesem Elektrowerkzeug gelieferten Sicherheitswarnungen, Anweisungen, Abbildungen und technischen Daten durch.** Eine Missachtung der unten aufgeführten Anweisungen kann zu einem elektrischen Schlag, Brand und/oder schweren Verletzungen führen.
- Arbeiten, wie Polieren, sind mit diesem Elektrowerkzeug nicht zu empfehlen.** Benutzungswesen, für die das Elektrowerkzeug nicht ausgelegt ist, können Gefahren erzeugen und Personenschäden verursachen.
- Verwenden Sie kein Zubehör, das nicht speziell vom Werkzeughersteller vorgesehen ist und empfohlen wird.** Die bloße Tatsache, dass ein Zubehörteil an Ihrem Elektrowerkzeug angebracht werden kann, gewährleistet noch keinen sicheren Betrieb.
- Die Nenndrehzahl des Zubehörteils muss mindestens der am Elektrowerkzeug angegebenen Maximaldrehzahl entsprechen.** Zubehörteile, die schneller als ihre Nenndrehzahl rotieren, können bersten und auseinander fliegen.
- Außendurchmesser und Dicke des Zubehörteils müssen innerhalb der Kapazitätsgrenzen Ihres Elektrowerkzeugs liegen.** Zubehörteile der falschen Größe können nicht angemessen geschützt oder kontrolliert werden.
- Die Gewindehalterung von Zubehörteilen muss genau dem Spindelgewinde der Schleifmaschine entsprechen. Bei Zubehörteilen, die durch Flansche montiert werden, muss die Spindelbohrung dem Positionierdurchmesser des Flansches angepasst sein.** Zubehörteile, die nicht genau auf den Montageflansch des Elektrowerkzeugs passen, laufen unruhig, vibrieren übermäßig und können einen Verlust der Kontrolle verursachen.

7. **Verwenden Sie keine beschädigten Zubehörteile.** Überprüfen Sie die Zubehörteile vor jedem Gebrauch: z. B. Schleifscheiben auf Abplitterungen und Risse, Schleifteller auf Risse, Brüche oder übermäßigen Verschleiß, Drahtbürsten auf lose oder rissige Drähte. Falls das Elektrowerkzeug oder das Zubehörteil herunterfällt, überprüfen Sie es auf Beschädigung, oder montieren Sie ein unbeschädigtes Zubehörteil. Achten Sie nach der Überprüfung und Installation eines Zubehörteils darauf, dass Sie selbst und Umstehende nicht in der Rotationsebene des Zubehörteils stehen, und lassen Sie das Elektrowerkzeug eine Minute lang mit maximaler Leerlaufdrehzahl laufen. Ein beschädigtes Zubehörteil bricht normalerweise während dieses Probelaufs auseinander.
8. **Tragen Sie Schutzausrüstung. Benutzen Sie je nach der Arbeit einen Gesichtsschutz bzw. eine Sicherheits- oder Schutzbrille. Tragen Sie bei Bedarf eine Staubmaske, Ohrschützer, Handschuhe und eine Arbeitsschürze, die in der Lage ist, kleine Schleifpartikel oder Werkstücksplitter abzuwehren.** Der Augenschutz muss in der Lage sein, den bei verschiedenen Arbeiten anfallenden Flugstaub abzuwehren. Die Staubmaske oder Atemschutzmaske muss in der Lage sein, durch die Arbeit erzeugte Partikel herauszufiltern. Lang anhaltende Lärmbelastung kann zu Gehörschäden führen.
9. **Halten Sie Umstehende in sicherem Abstand vom Arbeitsbereich. Jeder, der den Arbeitsbereich betritt, muss persönliche Schutzausrüstung tragen.** Bruchstücke des Werkstücks oder eines beschädigten Zubehörteils können weggeschleudert werden und Verletzungen über den unmittelbaren Arbeitsbereich hinaus verursachen.
10. **Halten Sie das Elektrowerkzeug nur an den isolierten Griffflächen, wenn Sie Arbeiten ausführen, bei denen die Gefahr besteht, dass das Schneidwerkzeug verborgene Kabel kontaktiert.** Bei Kontakt mit einem Strom führenden Kabel können die freiliegenden Metallteile des Elektrowerkzeugs ebenfalls Strom führend werden, so dass der Benutzer einen elektrischen Schlag erleiden kann.
11. **Legen Sie das Elektrowerkzeug erst ab, nachdem das Zubehörteil zum vollständigen Stillstand gekommen ist.** Anderenfalls kann das rotierende Zubehörteil die Oberfläche erfassen und das Elektrowerkzeug aus Ihren Händen reißen.
12. **Lassen Sie das Elektrowerkzeug nicht laufen, während Sie es an Ihrer Seite tragen.** Das rotierende Zubehörteil könnte sonst bei versehentlichem Kontakt Ihre Kleidung erfassen und auf Ihren Körper zu gezogen werden.
13. **Reinigen Sie die Ventilationsöffnungen des Elektrowerkzeugs regelmäßig.** Der Lüfter des Motors saugt Staub in das Gehäuse an, und starke Ablagerungen von Metallstaub können elektrische Gefahren verursachen.
14. **Betreiben Sie das Elektrowerkzeug nicht in der Nähe von brennbaren Materialien.** Funken könnten diese Materialien entzünden.
15. **Verwenden Sie keine Zubehörteile, die Kühlflüssigkeiten erfordern.** Die Verwendung von Wasser oder anderen Kühlflüssigkeiten kann zu einem Stromschlag führen.

## **Warnungen vor Rückschlag und damit zusammenhängenden Gefahren**

Ein Rückschlag ist eine plötzliche Reaktion auf Klemmen oder Hängenbleiben der Schleifscheibe, des Schleiftellers, der Drahtbürste oder eines anderen Zubehörteils. Klemmen oder Hängenbleiben verursacht sofortiges Stocken des rotierenden Zubehörteils, was wiederum dazu führt, dass das außer Kontrolle geratene Elektrowerkzeug am Stockpunkt in die entgegengesetzte Drehrichtung des Zubehörers geschleudert wird. Wenn beispielsweise eine Schleifscheibe vom Werkstück erfasst oder eingeklemmt wird, kann sich die in den Klemmpunkt eindringende Schleifscheibenkante in die Materialoberfläche bohren, so dass sie herauspringt oder zurückschlägt. Je nach der Drehrichtung der Schleifscheibe am Klemmpunkt kann die Schleifscheibe auf die Bedienungsperson zu oder von ihr weg springen. Schleifscheiben können unter solchen Bedingungen auch brechen.

Rückschlag ist das Resultat falscher Handhabung des Elektrowerkzeugs und/oder falscher Arbeitsverfahren oder -bedingungen und kann durch Anwendung der nachstehenden Vorsichtsmaßnahmen vermieden werden.

1. **Halten Sie das Elektrowerkzeug mit festem Griff, und positionieren Sie Ihren Körper und Arm so, dass Sie die Rückschlagkräfte auffangen können. Benutzen Sie stets den Zusatzgriff, wenn vorhanden, um maximale Kontrolle über Rückschlag oder Drehbewegungen während des Anlaufs zu haben.** Drehbewegungen oder Rückschlagkräfte können kontrolliert werden, wenn entsprechende Vorkehrungen getroffen werden.
2. **Legen Sie Ihre Hand niemals in die Nähe des rotierenden Zubehörteils.** Bei einem Rückschlag könnte das Zubehörteil Ihre Hand verletzen.
3. **Stellen Sie sich nicht in den Bereich, in den das Elektrowerkzeug bei Auftreten eines Rückschlags geschleudert wird.** Der Rückschlag schleudert das Werkzeug am Stockpunkt in die entgegengesetzte Drehrichtung der Schleifscheibe.
4. **Lassen Sie beim Bearbeiten von Ecken und scharfen Kanten usw. besondere Vorsicht walten. Achten Sie darauf, dass das Zubehörteil nicht springt oder hängen bleibt.** Ecken, scharfe Kanten oder Anstoßen führen leicht zu Hängenbleiben des rotierenden Zubehörteils und verursachen Verlust der Kontrolle oder Rückschlag.
5. **Montieren Sie keine Sägeketten, Holzfräsen oder gezahnte Sägeblätter.** Solche Zubehörteile verursachen häufige Rückschläge und Verlust der Kontrolle.

## **Sicherheitswarnungen speziell für Schleif- und Trennschleifbetrieb:**

1. **Verwenden Sie nur Schleifscheiben, die für Ihr Elektrowerkzeug empfohlen werden, und die für die ausgewählte Schleifscheibe vorgesehene Schutzhaube.** Schleifscheiben, die nicht für das Elektrowerkzeug geeignet sind, können nicht angemessen abgeschirmt werden und sind unsicher.
2. **Die Schleiffläche von gekröpften Trennschleifscheiben muss unterhalb der Ebene der Schutzlippe montiert werden.** Eine falsch montierte Schleifscheibe, die über die Ebene der Schutzlippe hinausragt, kann nicht angemessen geschützt werden.

3. **Die Schutzhaube muss sicher am Elektrowerkzeug befestigt und für maximale Sicherheit positioniert werden, um den auf die Bedienungsperson gerichteten Schleifscheibenbetrag minimal zu halten.** Die Schutzhaube schützt den Bediener vor Schleifscheiben-Bruchstücken, versehentlichem Kontakt mit der Schleifscheibe und Funken, welche die Kleidung in Brand setzen könnten.
4. **Schleifscheiben dürfen nur für empfohlene Anwendungen eingesetzt werden. Zum Beispiel: Nicht mit der Seite einer Trennscheibe schleifen.** Trennschleifscheiben sind für Periphereschleifen vorgesehen. Falls seitliche Kräfte auf diese Scheiben einwirken, können sie zerbrechen.
5. **Verwenden Sie stets unbeschädigte Scheibenflansche der korrekten Größe und Form für die ausgewählte Schleifscheibe.** Korrekte Scheibenflansche stützen die Schleifscheibe und reduzieren somit die Möglichkeit eines Scheibenbruchs. Flansche für Trennscheiben können sich von solchen für Schleifscheiben unterscheiden.
6. **Verwenden Sie keine abgenutzten Schleifscheiben von größeren Elektrowerkzeugen.** Schleifscheiben für größere Elektrowerkzeuge eignen sich nicht für die höhere Drehzahl eines kleineren Werkzeugs und können bersten.

#### **Zusätzliche Sicherheitswarnungen speziell für Trennschleifbetrieb:**

1. **Vermeiden Sie „Verkanten“ der Trennscheibe oder die Ausübung übermäßigen Drucks. Versuchen Sie nicht, übermäßig tiefe Schnitte zu machen.** Überbeanspruchung der Schleifscheibe erhöht die Belastung und die Empfindlichkeit für Verdrehen oder Klemmen der Schleifscheibe im Schnitt sowie die Möglichkeit von Rückschlag oder Scheibenbruch.
2. **Stellen Sie sich nicht so, dass sich Ihr Körper in einer Linie mit der rotierenden Schleifscheibe oder hinter dieser befindet.** Wenn sich die Schleifscheibe am Arbeitspunkt von Ihrem Körper weg bewegt, kann ein möglicher Rückschlag die rotierende Schleifscheibe und das Elektrowerkzeug direkt auf Sie zu schleudern.
3. **Falls die Trennscheibe klemmt oder der Schnitt aus irgendeinem Grund unterbrochen wird, schalten Sie das Elektrowerkzeug aus und halten Sie es bewegungslos im Werkstück, bis die Trennscheibe zum völligen Stillstand kommt. Versuchen Sie auf keinen Fall, die rotierende Trennscheibe aus dem Schnitt zu entfernen, weil sonst ein Rückschlag auftreten kann.** Nehmen Sie eine Überprüfung vor, und treffen Sie Abhilfemaßnahmen, um die Ursache von Trennscheiben-Klemmen zu beseitigen.
4. **Setzen Sie den Schnittbetrieb nicht mit im Werkstück sitzender Trennscheibe fort. Führen Sie die Trennscheibe vorsichtig in den Schnitt ein, nachdem sie die volle Drehzahl erreicht hat.** Wird das Elektrowerkzeug mit im Werkstück sitzender Trennscheibe eingeschaltet, kann die Trennscheibe Klemmen, hochsteigen oder zurückschlagen.

5. **Stützen Sie Platten oder andere übergroße Werkstücke ab, um die Gefahr von Klemmen oder Rückschlag der Trennscheibe zu minimieren.** Große Werkstücke neigen dazu, unter ihrem Eigengewicht durchzuhängen. Die Stützen müssen beidseitig der Trennscheibe nahe der Schnittlinie und in der Nähe der Werkstückkante unter das Werkstück platziert werden.
6. **Lassen Sie besondere Vorsicht walten, wenn Sie einen „Taschenschnitt“ in bestehende Wände oder andere Blindflächen durchführen.** Die vorstehende Trennscheibe kann Gas- oder Wasserleitungen, Stromkabel oder Objekte durchschneiden, die Rückschlag verursachen können.

#### **Sicherheitswarnungen speziell für Schmirgelbetrieb:**

1. **Verwenden Sie keine übergroßen Schleifpapierscheiben. Befolgen Sie die Herstellerempfehlungen bei der Wahl des Schleifpapiers.** Größeres Schleifpapier, das über den Schleifteller hinausragt, stellt eine Gefahr für Schnittwunden dar und kann Hängenbleiben oder Zerreißen der Schleifscheibe oder Rückschlag verursachen.

#### **Sicherheitswarnungen speziell für Drahtbürstenbetrieb:**

1. **Beachten Sie, dass Drahtborsten auch bei normalem Betrieb von der Drahtbürste herausgeschleudert werden. Überbeanspruchen Sie die Drähte nicht durch Ausübung übermäßigen Drucks auf die Drahtbürste.** Die Drahtborsten können ohne weiteres leichte Kleidung und/oder Haut durchdringen.
2. **Wenn der Einsatz einer Schutzhaube für Drahtbürsten empfohlen wird, achten Sie darauf, dass die Drahtscheibe oder die Drahtbürste nicht mit der Schutzhaube in Berührung kommt.** Der Durchmesser der Drahtscheibe oder Drahtbürste kann sich aufgrund der Arbeitslast und der Fliehkräfte vergrößern.

#### **Zusätzliche Sicherheitswarnungen:**

1. **Verwenden Sie nur glasfaserverstärkte Scheiben als gekröpfte Trennschleifscheiben.**
2. **Verwenden Sie NIEMALS Stein-Topfschleifscheiben mit dieser Schleifmaschine.** Diese Schleifmaschine ist nicht für derartige Schleifscheiben ausgelegt, und der Gebrauch eines solchen Produkts kann zu schweren Personenschäden führen.
3. **Achten Sie darauf, dass der X-LOCK-Halter nicht beschädigt wird. Eine Beschädigung der Teile kann zu einem Scheibenbruch führen.**
4. **Vergewissern Sie sich vor dem Einschalten des Werkzeugs, dass die Schleifscheibe nicht das Werkstück berührt.**
5. **Lassen Sie das Werkzeug vor der eigentlichen Bearbeitung eines Werkstücks eine Weile laufen. Achten Sie auf Vibrationen oder Taumelbewegungen, die Anzeichen für schlechte Montage oder eine schlecht ausgewuchtete Schleifscheibe sein können.**
6. **Verwenden Sie nur die vorgeschriebene Fläche der Schleifscheibe für Schleifarbeiten.**

7. Lassen Sie das Werkzeug nicht unbeaufsichtigt laufen. Benutzen Sie das Werkzeug nur im handgeführten Einsatz.
8. Vermeiden Sie eine Berührung des Werkstücks unmittelbar nach der Bearbeitung, weil es dann noch sehr heiß ist und Hautverbrennungen verursachen kann.
9. Vermeiden Sie eine Berührung von Zubehöerteilen unmittelbar nach der Bearbeitung, weil sie dann noch sehr heiß sind und Hautverbrennungen verursachen können.
10. Befolgen Sie die Anweisungen des Herstellers für korrekte Montage und Verwendung von Schleifscheiben. Behandeln und lagern Sie Schleifscheiben mit Sorgfalt.
11. Verwenden Sie keine getrennten Reduzierbuchsen oder Adapter zur Anpassung von Schleifscheiben mit großem Lochdurchmesser.
12. Vergewissern Sie sich, dass das Werkstück sicher abgestützt ist.
13. Beachten Sie, dass sich die Schleifscheibe nach dem Ausschalten des Werkzeugs noch weiterdreht.
14. Falls der Arbeitsplatz sehr heiß, feucht oder durch leitfähigen Staub stark verschmutzt ist, verwenden Sie einen Kurzschlusschalter (30 mA) zum Schutz des Bedieners.
15. Verwenden Sie dieses Werkzeug nicht zur Bearbeitung von asbesthaltigen Materialien.
16. Verwenden Sie bei Arbeiten mit der Trennscheibe immer eine gesetzlich vorgeschriebene Staubabsaughaube.
17. Schneidscheiben dürfen keinem seitlichen Druck ausgesetzt werden.
18. Verwenden Sie keine Arbeitshandschuhe aus Stoff während der Arbeit. Fasern von Stoffhandschuhen können in das Werkzeug gelangen, was zu einer Beschädigung des Werkzeugs führen kann.
19. Vergewissern Sie sich vor der Arbeit, dass sich keine verborgenen Objekte, wie etwa eine elektrische Leitung, ein Wasserrohr oder ein Gasrohr, im Werkstück befinden. Anderenfalls kann es zu einem elektrischen Schlag, Leckstrom oder Gasleck kommen.

## BEWAHREN SIE DIESE ANLEITUNG AUF.

**⚠️ WARNUNG:** Lassen Sie sich NICHT durch Bequemlichkeit oder Vertrautheit mit dem Produkt (durch wiederholten Gebrauch erworben) von der strikten Einhaltung der Sicherheitsregeln für das vorliegende Produkt abhalten. MISSBRAUCH oder Missachtung der Sicherheitsvorschriften in dieser Anleitung können schwere Personenschäden verursachen.

## Wichtige Sicherheitsanweisungen für Akku

1. Lesen Sie vor der Benutzung des Akkus alle Anweisungen und Warnhinweise, die an (1) Ladegerät, (2) Akku und (3) Akkuwerkzeug angebracht sind.
2. Unterlassen Sie Zerlegen oder Manipulieren des Akkus. Es kann sonst zu einem Brand, übermäßiger Hitzeentwicklung oder einer Explosion kommen.
3. Falls die Betriebszeit beträchtlich kürzer geworden ist, stellen Sie den Betrieb sofort ein. Anderenfalls besteht die Gefahr von Überhitzung, möglichen Verbrennungen und sogar einer Explosion.
4. Falls Elektrolyt in Ihre Augen gelangt, waschen Sie sie mit sauberem Wasser aus, und begeben Sie sich unverzüglich in ärztliche Behandlung. Anderenfalls können Sie Ihre Sehkraft verlieren.
5. Der Akku darf nicht kurzgeschlossen werden:
  - (1) Die Kontakte dürfen nicht mit leitfähigem Material berührt werden.
  - (2) Lagern Sie den Akku nicht in einem Behälter zusammen mit anderen Metallgegenständen, wie z. B. Nägel, Münzen usw.
  - (3) Setzen Sie den Akku weder Wasser noch Regen aus.
 Ein Kurzschluss des Akkus verursacht starken Stromfluss, der Überhitzung, mögliche Verbrennungen und einen Defekt zur Folge haben kann.
6. Lagern und benutzen Sie das Werkzeug und den Akku nicht an Orten, an denen die Temperatur 50 °C erreichen oder überschreiten kann.
7. Versuchen Sie niemals, den Akku zu verbrennen, selbst wenn er stark beschädigt oder vollkommen verbraucht ist. Der Akku kann im Feuer explodieren.
8. Unterlassen Sie Nageln, Schneiden, Zerquetschen, Werfen, Fallenlassen des Akkus oder Schlagen des Akkus mit einem harten Gegenstand. Eine solche Handlung kann zu einem Brand, übermäßiger Hitzeentwicklung oder einer Explosion führen.
9. Benutzen Sie keine beschädigten Akkus.
10. Die enthaltenen Lithium-Ionen-Akkus unterliegen den Anforderungen der Gefahrgut-Gesetzgebung. Für kommerzielle Transporte, z. B. durch Dritte oder Spediteure, müssen besondere Anforderungen zu Verpackung und Etikettierung beachtet werden. Zur Vorbereitung des zu transportierenden Artikels ist eine Beratung durch einen Experten für Gefahrgut erforderlich. Bitte beachten Sie möglicherweise ausführlichere nationale Vorschriften. Überkleben oder verdecken Sie offene Kontakte, und verpacken Sie den Akku so, dass er sich in der Verpackung nicht umher bewegen kann.
11. Entfernen Sie den Akku zum Entsorgen vom Werkzeug, und entsorgen Sie ihn an einem sicheren Ort. Befolgen Sie die örtlichen Vorschriften bezüglich der Entsorgung von Akkus.



12. **Verwenden Sie die Akkus nur mit den von Makita angegebenen Produkten.** Das Einsetzen der Akkus in nicht konforme Produkte kann zu einem Brand, übermäßiger Hitzebildung, einer Explosion oder Auslaufen von Elektrolyt führen.
13. **Soll das Werkzeug längere Zeit nicht benutzt werden, muss der Akku vom Werkzeug entfernt werden.**
14. **Bei und nach dem Gebrauch kann der Akku heiß werden, was Verbrennungen oder Niedertemperaturverbrennungen verursachen kann. Beachten Sie die Handhabung von heißen Akkus.**
15. **Berühren Sie nicht den Anschlusskontakt des Werkzeugs unmittelbar nach dem Gebrauch, da er heiß genug werden kann, um Verbrennungen zu verursachen.**
16. **Achten Sie darauf, dass sich keine Späne, Staub oder Schmutz in den Anschlusskontakten, Löchern und Nuten des Akkus absetzen.** Dies kann zu einer Leistungseinbuße oder Betriebsstörung des Werkzeugs oder des Akkus führen.
17. **Wenn das Werkzeug den Einsatz in der Nähe einer Hochspannungs-Stromleitung nicht unterstützt, benutzen Sie den Akku nicht in der Nähe einer Hochspannungs-Stromleitung.** Dies kann zu einer Funktionsstörung oder Betriebsstörung des Werkzeugs oder des Akkus führen.
18. **Halten Sie die Batterie von Kindern fern.**

## DIESE ANWEISUNGEN AUFBEWAHREN.

**⚠ VORSICHT:** Verwenden Sie nur **Original-Makita-Akkus**. Die Verwendung von Nicht-Original-Makita-Akkus oder von Akkus, die abgeändert worden sind, kann zum Bersten des Akkus und daraus resultierenden Bränden, Personenschäden und Beschädigung führen. Außerdem wird dadurch die Makita-Garantie für das Makita-Werkzeug und -Ladegerät ungültig.

## Hinweise zur Aufrechterhaltung der maximalen Akku-Nutzungsdauer

1. **Laden Sie den Akku, bevor er vollkommen erschöpft ist. Schalten Sie das Werkzeug stets aus, und laden Sie den Akku, wenn Sie ein Nachlassen der Werkzeugleistung feststellen.**
2. **Unterlassen Sie erneutes Laden eines voll aufgeladenen Akkus. Überladen führt zu einer Verkürzung der Nutzungsdauer des Akkus.**
3. **Laden Sie den Akku bei Raumtemperatur zwischen 10 – 40 °C. Lassen Sie einen heißen Akku abkühlen, bevor Sie ihn laden.**
4. **Wenn Sie den Akku nicht benutzen, nehmen Sie ihn vom Werkzeug oder Ladegerät ab.**
5. **Der Akku muss geladen werden, wenn er lange Zeit (länger als sechs Monate) nicht benutzt wird.**

## FUNKTIONSBESCHREIBUNG

**⚠ VORSICHT:** Vergewissern Sie sich vor der Durchführung von Einstellungen oder Funktionsprüfungen des Werkzeugs stets, dass das Werkzeug ausgeschaltet und der Akku abgenommen ist.

## Anbringen und Abnehmen des Akkus

**⚠ VORSICHT:** Schalten Sie das Werkzeug stets aus, bevor Sie den Akku anbringen oder abnehmen.

**⚠ VORSICHT:** Halten Sie das Werkzeug und den Akku beim Anbringen oder Abnehmen des Akkus sicher fest. Wenn Sie das Werkzeug und den Akku nicht sicher festhalten, können sie Ihnen aus der Hand rutschen, was zu einer Beschädigung des Werkzeugs und des Akkus und zu Körperverletzungen führen kann.

► **Abb.1:** 1. Rote Anzeige 2. Knopf 3. Akku

Ziehen Sie den Akku zum Abnehmen vom Werkzeug ab, während Sie den Knopf an der Vorderseite des Akkus verschieben.

Richten Sie zum Anbringen des Akkus dessen Führungsfeder auf die Nut im Gehäuse aus, und schieben Sie den Akku hinein. Schieben Sie ihn vollständig ein, bis er mit einem leisen Klicken einrastet. Wenn Sie die rote Anzeige sehen können, wie in der Abbildung gezeigt, ist der Akku nicht vollständig verriegelt.

**⚠ VORSICHT:** Schieben Sie den Akku stets bis zum Anschlag ein, bis die rote Anzeige nicht mehr sichtbar ist. Anderenfalls kann er aus dem Werkzeug herausfallen und Sie oder umstehende Personen verletzen.

**⚠ VORSICHT:** Unterlassen Sie Gewaltanwendung beim Anbringen des Akkus. Falls der Akku nicht reibungslos hineingleitet, ist er nicht richtig ausgerichtet.

## Anzeigen der Akku-Restkapazität

### Nur für Akkus mit Anzeige

► **Abb.2:** 1. Anzeigelampen 2. Prüftaste

Drücken Sie die Prüftaste am Akku, um die Akku-Restkapazität anzuzeigen. Die Anzeigelampen leuchten wenige Sekunden lang auf.

Anzeigelampen			Restkapazität
Erleuchtet	Aus	Blinkend	
■	□	◐	75% bis 100%
■ ■ ■ ■	□ □ □ □		
■ ■ ■ ■	□ □ □ □		50% bis 75%
■ ■ ■ ■	□ □ □ □		25% bis 50%
■ □ □ □	□ □ □ □		0% bis 25%
◐ □ □ □	□ □ □ □		Den Akku aufladen.
■ ■ □ □	□ □ □ □	↑ ↓	Möglicherweise liegt eine Funktionsstörung im Akku vor.
□ □ □ □	■ ■ ■ ■		

**HINWEIS:** Abhängig von den Benutzungsbedingungen und der Umgebungstemperatur kann die Anzeige geringfügig von der tatsächlichen Kapazität abweichen.









**HINWEIS:** Die erste (äußerste linke) Anzeigelampe blinkt, wenn das Akku-Schutzsystem aktiv ist.

## Anzeigen der Akku-Restkapazität

Wenn Sie das Werkzeug einschalten, zeigt die Akku-Anzeige die Akku-Restkapazität an.

► **Abb.3:** 1. Akku-Anzeige

Die Akku-Restkapazität wird gemäß der nachstehenden Tabelle angezeigt.

Status der Akku-Anzeige			Akku-Restkapazität
Ein	Aus	Blinkend	
			
			
			
			
			Akku aufladen

## Werkzeug/Akku-Schutzsystem


Das Werkzeug ist mit einem Werkzeug/Akku-Schutzsystem ausgestattet. Dieses System schaltet die Stromversorgung des Motors automatisch ab, um die Lebensdauer von Werkzeug und Akku zu verlängern. Das Werkzeug bleibt während des Betriebs automatisch stehen, wenn das Werkzeug oder der Akku einer der folgenden Bedingungen unterliegt:

### Überlastschutz

Wird das Werkzeug/der Akku auf eine Weise benutzt, die eine ungewöhnlich hohe Stromaufnahme bewirkt, bleibt das Werkzeug ohne jegliche Anzeige automatisch stehen. Schalten Sie in dieser Situation das Werkzeug aus, und brechen Sie die Arbeit ab, die eine Überlastung des Werkzeugs verursacht hat. Schalten Sie dann das Werkzeug wieder ein, um neu zu starten.

### Überhitzungsschutz

Wenn das Werkzeug überhitzt wird, bleibt es automatisch stehen, und die Akku-Anzeige zeigt den folgenden Zustand an. Lassen Sie das Werkzeug in dieser Situation abkühlen, bevor Sie es wieder einschalten.

Ein	Blinkend
	

Falls das Werkzeug nicht startet, ist der Akku möglicherweise überhitzt. Lassen Sie den Akku in dieser Situation abkühlen, bevor Sie das Werkzeug wieder starten.


## Überentladungsschutz

Wenn die Akkukapazität unzureichend wird, bleibt das Werkzeug automatisch stehen. Nehmen Sie in diesem Fall den Akku vom Werkzeug ab, und laden Sie ihn auf.

## Aufheben der Schutz Sperre

Wenn das Schutzsystem wiederholt aktiviert wird, wird das Werkzeug verriegelt, und die Akku-Anzeige zeigt den folgenden Zustand an.

In dieser Situation startet das Werkzeug nicht, selbst wenn es aus- und wieder eingeschaltet wird. Um die Schutz Sperre aufzuheben, nehmen Sie den Akku ab, setzen Sie ihn in das Ladegerät ein, und warten Sie, bis der Ladevorgang beendet ist.

Ein	Aus	Blinkend
		

## Schalterfunktion

**⚠ VORSICHT:** Bevor Sie den Akku in das Werkzeug einsetzen, sollten Sie sich stets vergewissern, dass der Schiebeschalter ordnungsgemäß funktioniert und beim Drücken der Rückseite in die AUS-Stellung zurückkehrt.

**⚠ VORSICHT:** Der Schalter kann zur Arbeitserleichterung bei längerem Einsatz in der EIN-Stellung verriegelt werden. Lassen Sie Vorsicht walten, wenn Sie den Schalter in der EIN-Stellung verriegeln, und halten Sie das Werkzeug mit festem Griff.

Zum Einschalten des Werkzeugs drücken Sie die Rückseite des Schiebeschalters nieder, und schieben Sie ihn dann auf die Stellung „I (EIN)“. Für Dauerbetrieb rasten Sie den Schiebeschalter durch Drücken seiner Vorderseite ein.

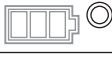

► **Abb.4:** 1. Schiebeschalter

Zum Ausschalten des Werkzeugs drücken Sie die Rückseite des Schiebeschalters nieder, so dass er zur Stellung „O (AUS)“ zurückkehrt.

► **Abb.5:** 1. Schiebeschalter

## Automatische Drehzahlwechselfunktion

► **Abb.6:** 1. Betriebsart-Anzeige

Betriebsart-Anzeigestatus	Betriebsart
	Hochdrehzahl-Modus
	Hochdrehmoment-Modus

Dieses Werkzeug verfügt über einen „Hochdrehzahl-Modus“ und einen „Hochdrehmoment-Modus“. Es wechselt die Betriebsart automatisch abhängig von der Arbeitslast. Wenn die Betriebsart-Anzeige während des Betriebs aufleuchtet, befindet sich das Werkzeug im Hochdrehmoment-Modus.

## Funktion zur Verhütung eines versehentlichen Wiederanlaufs

Wenn Sie den Akku einsetzen, während sich der Schiebeschalter in der Position „I“ (EIN) befindet, startet das Werkzeug nicht. Um das Werkzeug zu starten, schieben Sie den Schiebeschalter zuerst auf die Position „O“ (AUS) und dann auf die Position „I“ (EIN).

## Aktive Rückkopplungs-Erkennungstechnologie

Das Werkzeug erkennt durch eine Elektronik Situationen, in denen die Gefahr besteht, dass die Schleifscheibe oder das Zubehörtel klemmt. In einer solchen Situation wird das Werkzeug automatisch ausgeschaltet, um eine Weiterdrehung der Spindel zu verhindern (Rückschlag wird dadurch nicht verhütet). Um das Werkzeug wieder zu starten, schalten Sie es zuerst aus, beseitigen Sie die Ursache des plötzlichen Drehzahlabfalls, und schalten Sie dann das Werkzeug wieder ein.

## Soft-Start-Funktion

Die Soft-Start-Funktion reduziert den Anlaufstoß.

## MONTAGE

**⚠ VORSICHT:** Vergewissern Sie sich vor der Durchführung von Einstellungen oder Funktionsprüfungen des Werkzeugs stets, dass das Werkzeug ausgeschaltet und der Akku abgenommen ist.

## Montieren des Seitengriffs (Handgriffs)

**⚠ VORSICHT:** Vergewissern Sie sich vor dem Betrieb stets, dass der Seitengriff einwandfrei montiert ist.

Schrauben Sie den Seitengriff an der in der Abbildung gezeigten Position fest an das Werkzeug.

► **Abb.7**

## Montieren und Demontieren der Schutzhaube

**⚠ WARNUNG:** Wenn Sie eine gekröpfte Trennschleifscheibe, Fächerscheibe oder Rotordrahtbürste benutzen, muss die Schutzhaube so am Werkzeug angebracht werden, dass ihre geschlossene Seite immer zum Bediener gerichtet ist.

**⚠ WARNUNG:** Vergewissern Sie sich, dass die Schutzhaube durch den Verriegelungshebel mit einem der Löcher in der Schutzhaube sicher verriegelt ist.

**⚠ WARNUNG:** Benutzen Sie beim Arbeiten mit einer Trennschleifscheibe/Diamantscheibe nur die spezielle Schutzhaube, die für den Einsatz mit Trennscheiben ausgelegt ist.

(In manchen europäischen Ländern kann bei Verwendung einer Diamantscheibe die gewöhnliche Schutzhaube benutzt werden. Befolgen Sie die Vorschriften in Ihrem Land.)

## Für gekröpfte Trennschleifscheibe, Fächerscheibe, Rotordrahtbürste/ Trennschleifscheibe, Diamantscheibe

1. Montieren Sie die Schutzhaube bei gedrücktem Verriegelungshebel so, dass die Vorsprünge an der Schutzhaube auf die Kerben im Lagergehäuse ausgerichtet sind.

► **Abb.8:** 1. Verriegelungshebel 2. Kerbe 3. Vorsprung

2. Während Sie den Verriegelungshebel in Richtung A schieben, drücken Sie die Schutzhaube hinein, indem Sie die Teile B niederhalten, wie in der Abbildung gezeigt.

► **Abb.9:** 1. Schutzhaube 2. Bohrung

**HINWEIS:** Drücken Sie die Schutzhaube gerade nach unten. Anderenfalls lässt sich die Schutzhaube nicht vollständig drücken.

3. Während Sie die Position des Verriegelungshebels und der Schutzhaube beibehalten, wie in Schritt 2 beschrieben, drehen Sie die Schutzhaube in Richtung C, und ändern Sie dann den Winkel der Schutzhaube gemäß der Arbeit.

► **Abb.10:** 1. Schutzhaube 2. Bohrung

**HINWEIS:** Drücken Sie die Schutzhaube vollständig. Anderenfalls lässt sich die Schutzhaube nicht drehen.

Zum Demontieren der Schutzhaube ist das Montageverfahren umgekehrt anzuwenden.

## Bei Verwendung einer gekröpften Trennschleifscheibe oder Fächerscheibe

### Sonderzubehör

**⚠ WARNUNG:** Wenn Sie eine gekröpfte Trennschleifscheibe oder eine Fächerscheibe benutzen, muss die Schutzhaube so am Werkzeug angebracht werden, dass ihre geschlossene Seite immer zum Bediener gerichtet ist.

► **Abb.11:** 1. Gekröpfte Trennschleifscheibe  
2. Schutzhaube

## Bei Verwendung einer Trennschleifscheibe/Diamantscheibe

### Sonderzubehör

**⚠ WARNUNG:** Benutzen Sie beim Arbeiten mit einer Trennschleifscheibe/Diamantscheibe nur die spezielle Schutzhaube, die für den Einsatz mit Trennscheiben ausgelegt ist.

(In manchen europäischen Ländern kann bei Verwendung einer Diamantscheibe die gewöhnliche Schutzhaube benutzt werden. Befolgen Sie die Vorschriften in Ihrem Land.)

**⚠ WARNUNG:** Benutzen Sie Trennscheiben NIEMALS für Seitenschleifen.

► **Abb.12:** 1. Trennschleifscheibe / Diamantscheibe  
2. Schutzhaube für Trennschleifscheibe / Diamantscheibe

## Montieren einer Topfdrahtbürste

### Sonderzubehör

**⚠ VORSICHT:** Verwenden Sie keine beschädigte oder unausgewuchtete Topfdrahtbürste. Bei Verwendung einer beschädigten Bürste ist das Verletzungspotenzial durch Kontakt mit gebrochenen Bürstendrähten größer.

► **Abb.13:** 1. Topfdrahtbürste

## Montieren einer Rotordrahtbürste

### Sonderzubehör

**⚠ VORSICHT:** Verwenden Sie keine beschädigte oder unausgewuchtete Rotordrahtbürste. Bei Verwendung einer beschädigten Rotordrahtbürste ist das Verletzungspotenzial durch Kontakt mit gebrochenen Bürstendrähten größer.

**⚠ VORSICHT:** Verwenden Sie Rotordrahtbürsten IMMER mit einer Schutzhaube, die groß genug für den Rotordurchmesser ist. Die Schutzhaube reduziert die Gefahr von Personenschäden, falls die Rotordrahtbürste während des Betriebs zerbricht.

► **Abb.14:** 1. Rotordrahtbürste 2. Schutzhaube

## Anbringen oder Abnehmen einer X-LOCK-Trennscheibe

**⚠ WARNUNG:** Betätigen Sie den Entriegelungshebel des X-LOCK-Halters niemals während des Betriebs. Vergewissern Sie sich, dass die X-LOCK-Trennscheibe zum vollkommenen Stillstand gekommen ist, bevor Sie sie demontieren. Anderenfalls löst sich die X-LOCK-Trennscheibe vom Werkzeug und kann schwere Verletzungen verursachen.

**⚠ VORSICHT:** Verwenden Sie nur originäre X-LOCK-Trennscheiben mit dem X-LOCK-Logo. Dieses Werkzeug ist für X-LOCK dezidiert.

Die maximale Klemmbreite von 1,6 mm kann nur mit originären X-LOCK-Trennscheiben garantiert werden.

Die Verwendung von anderen Trennscheiben kann zu unsicherem Einspannen und Lockerung des Spannwerkzeugs führen.

**⚠ VORSICHT:** Berühren Sie die X-LOCK-Trennscheibe nicht unmittelbar nach dem Betrieb. Sie kann sehr heiß sein und Hautverbrennungen verursachen.

**⚠ VORSICHT:** Vergewissern Sie sich, dass die X-LOCK-Trennscheibe und der Halter des Werkzeugs nicht verformt und frei von Staub oder Fremdkörpern sind.

**⚠ VORSICHT:** Halten Sie Ihren Finger nicht in die Nähe des Halters, während Sie die X-LOCK-Trennscheibe montieren oder demontieren. Ihr Finger könnte eingeklemmt werden.

**⚠ VORSICHT:** Halten Sie Ihren Finger nicht in die Nähe des Entriegelungshebels, während Sie die X-LOCK-Trennscheibe montieren. Ihr Finger könnte eingeklemmt werden.

**HINWEIS:** Es sind keine zusätzlichen Teile, wie etwa Innenflansche oder Sicherungsmuttern, zum Montieren oder Demontieren der X-LOCK-Trennscheiben erforderlich.

- Um die X-LOCK-Trennscheibe zu montieren, vergewissern Sie sich, dass beide Klinken sich in der entriegelten Position befinden. Ist das nicht der Fall, drücken Sie den Entriegelungshebel von Seite A, um Seite B anzuheben, und ziehen Sie dann den Entriegelungshebel von Seite B, wie dargestellt. Die Klinken werden in die entriegelte Position gebracht.  
► **Abb.15:** 1. Klinke 2. Entriegelungshebel
- Setzen Sie eine zentrale Position der X-LOCK-Trennscheibe auf den Halter. Vergewissern Sie sich, dass die X-LOCK-Trennscheibe parallel zu der Flanschoberfläche liegt und mit der korrekten Seite nach oben gerichtet ist.
- Drücken Sie die X-LOCK-Trennscheibe in den Halter hinein. Die Klinken rasten mit einem Klicken ein und fixieren die X-LOCK-Trennscheibe.  
► **Abb.16:** 1. X-LOCK-Trennscheibe 2. Halter 3. Flanschoberfläche 4. Klinke
- Vergewissern Sie sich, dass die X-LOCK-Trennscheibe korrekt fixiert ist. Die Oberfläche der X-LOCK-Trennscheibe ist nicht höher als die Oberfläche des Halters, wie in der Abbildung gezeigt. Ist das nicht der Fall, muss der Halter gereinigt werden, oder die X-LOCK-Trennscheibe darf nicht verwendet werden.  
► **Abb.17:** 1. Oberfläche des Halters 2. Oberfläche der X-LOCK-Trennscheibe

Zum Demontieren der X-LOCK-Trennscheibe drücken Sie den Entriegelungshebel von Seite A, um Seite B anzuheben, und ziehen Sie dann den Entriegelungshebel von Seite B, wie dargestellt. Die X-LOCK-Trennscheibe wird freigegeben und kann abgenommen werden.

► **Abb.18:** 1. Entriegelungshebel

## BETRIEB

**⚠️ WARNUNG:** Das Werkzeug darf auf keinen Fall gewaltsam angedrückt werden. Das Eigengewicht des Werkzeugs übt ausreichenden Druck aus. Gewaltanwendung und übermäßiger Druck können zu einem gefährlichen Schleifscheibenbruch führen.

**⚠️ WARNUNG:** Wechseln Sie die Schleifscheibe **IMMER** aus, falls das Werkzeug während der Schleifarbeit fallen gelassen wurde.

**⚠️ WARNUNG:** Eine Schleif- oder Trennscheibe darf **NIEMALS** gegen das Werkstück geschlagen oder gestoßen werden.

**⚠️ WARNUNG:** Achten Sie besonders beim Bearbeiten von Ecken, scharfen Kanten usw. darauf, dass die Schleifscheibe nicht springt oder hängen bleibt. Dies kann den Verlust der Kontrolle und Rückschläge verursachen.

**⚠️ WARNUNG:** Verwenden Sie das Werkzeug **NIEMALS** mit Holz- und anderen Sägeblättern. Solche Sägeblätter verursachen bei Verwendung an einer Schleifmaschine häufiges Rückschlagen und Verlust der Kontrolle, was zu Verletzungen führen kann.

**⚠️ WARNUNG:** Betätigen Sie den Entriegelungshebel des X-LOCK-Halters **niemals** während des Betriebs. Anderenfalls löst sich die X-LOCK-Trennscheibe vom Werkzeug und kann schwere Verletzungen verursachen.

**⚠️ WARNUNG:** Vergewissern Sie sich, dass die X-LOCK-Trennscheibe sicher fixiert ist.

**⚠️ VORSICHT:** Schalten Sie das Werkzeug **niemals** ein, wenn es mit dem Werkstück in Berührung ist, weil sonst Verletzungsgefahr für die Bedienungsperson besteht.

**⚠️ VORSICHT:** Tragen Sie bei der Arbeit stets eine Schutzbrille oder einen Gesichtsschutz.

**⚠️ VORSICHT:** Schalten Sie das Werkzeug nach der Arbeit stets aus, und warten Sie, bis die Schleifscheibe zum völligen Stillstand gekommen ist, bevor Sie das Werkzeug ablegen.

**⚠️ VORSICHT:** Halten Sie das Werkzeug **IMMER** mit einer Hand am Gehäuse und mit der anderen am Seitengriff (Handgriff) fest.

## Schleif- und Schmirgelbetrieb

► Abb.19

Schalten Sie das Werkzeug ein, und setzen Sie dann die Trenn- oder Schleifscheibe an das Werkstück an. Halten Sie die Trenn- oder Schleifscheibe im Allgemeinen in einem Winkel von etwa 15° zur Werkstückoberfläche. Bewegen Sie die Schleifmaschine beim Einschleifen einer neuen Schleifscheibe nicht in Vorwärtsrichtung, weil die Schleifscheibe sonst in das Werkstück einschneiden kann. Sobald die Schleifscheibenkante durch Gebrauch abgerundet ist, kann die Schleifscheibe sowohl in Vorwärts- als auch in Rückwärtsrichtung bewegt werden.

## Betrieb mit Trennschleifscheibe / Diamantscheibe

### Sonderzubehör

**⚠️ WARNUNG:** Vermeiden Sie „Verkanten“ der Trennscheibe oder die Ausübung übermäßigen Drucks. Versuchen Sie nicht, übermäßig tiefe Schnitte zu machen. Überbeanspruchung der Trennscheibe erhöht die Belastung und die Empfänglichkeit für Verdrehen oder Klemmen der Trennscheibe im Schnitt sowie die Möglichkeit von Rückschlag, Scheibenbruch und Überhitzung des Motors.

**⚠️ WARNUNG:** Starten Sie den Schnittbetrieb nicht mit im Werkstück sitzender Trennscheibe. Warten Sie, bis die Trennscheibe ihre volle Drehzahl erreicht hat, bevor Sie sie vorsichtig in den Schnitt senken und das Werkzeug über die Werkstückoberfläche vorschieben. Wird das Elektrowerkzeug mit im Werkstück sitzender Trennscheibe eingeschaltet, kann die Trennscheibe klemmen, hochsteigen oder zurückschlagen.

**⚠️ WARNUNG:** Ändern Sie während der Schneidarbeiten **niemals** den Winkel der Trennscheibe. Die Ausübung von Seitendruck auf die Trennscheibe (wie beim Schleifen) verursacht Reißen und Brechen der Trennscheibe, was schwere Personenschäden zur Folge haben kann.

**⚠️ WARNUNG:** Eine Diamantscheibe muss senkrecht zum Werkstückmaterial angesetzt werden.

Benutzungsbeispiel: Betrieb mit Trennschleifscheibe

► Abb.20

Benutzungsbeispiel: Betrieb mit Diamantscheibe

► Abb.21

## Betrieb mit Topfdrabtbürste

### Sonderzubehör

**⚠️ VORSICHT:** Überprüfen Sie den Betrieb der Bürste, indem Sie das Werkzeug bei Nulllast laufen lassen und sicherstellen, dass sich niemand vor der Bürste oder in ihrer Linie befindet.

**ANMERKUNG:** Vermeiden Sie übermäßige Druckausübung, die Verbiegung der Drähte bei Benutzung der Topfdrabtbürste verursacht. Dies kann zu vorzeitigem Brechen führen.

Benutzungsbeispiel: Betrieb mit Topfdrabtbürste

► Abb.22

## Betrieb mit Rotordrahtbürste

### Sonderzubehör

**⚠ VORSICHT:** Überprüfen Sie den Betrieb der Rotordrahtbürste, indem Sie das Werkzeug bei Nulllast laufen lassen und sicherstellen, dass sich niemand vor der Rotordrahtbürste oder in ihrer Linie befindet.

**ANMERKUNG:** Vermeiden Sie übermäßige Druckausübung, die Verbiegung der Drähte bei Benutzung der Rotordrahtbürste verursacht. Dies kann zu vorzeitigem Brechen führen.

Benutzungsbeispiel: Betrieb mit Rotordrahtbürste  
► Abb.23

## WARTUNG

**⚠ VORSICHT:** Vergewissern Sie sich vor der Durchführung von Inspektions- oder Wartungsarbeiten stets, dass das Werkzeug ausgeschaltet und der Akku abgenommen ist.

**ANMERKUNG:** Verwenden Sie auf keinen Fall Benzin, Waschbenzin, Verdünner, Alkohol oder dergleichen. Solche Mittel können Verfärbung, Verformung oder Rissbildung verursachen.

Zur Aufrechterhaltung der SICHERHEIT und ZUVERLÄSSIGKEIT des Produkts müssen die Reparaturen und alle Wartungen und Einstellungen von den autorisierten Servicestellen der Firma Makita und unter Verwendung der Ersatzteile von Makita durchgeführt werden.

## SONDERZUBEHÖR

**⚠ VORSICHT:** Die folgenden Zubehörteile oder Vorrichtungen werden für den Einsatz mit dem in dieser Anleitung beschriebenen Makita-Werkzeug empfohlen. Die Verwendung anderer Zubehörteile oder Vorrichtungen kann eine Verletzungsgefahr darstellen. Verwenden Sie Zubehörteile oder Vorrichtungen nur für ihren vorgesehenen Zweck.

Wenn Sie weitere Einzelheiten bezüglich dieser Zubehörteile benötigen, wenden Sie sich bitte an Ihre Makita-Kundendienststelle.

- Original-Makita-Akku und -Ladegerät

► Abb.26

1	Griff 36
2	Schutzhaube (für Schleifscheibe)
3	Gekröpfte Trennschleifscheibe / Fächerscheibe
4	Schutzhaube (für Trennscheibe) *1
5	Trennschleifscheibe / Diamantscheibe
6	Rotordrahtbürste
7	Topfdrähtbürste

**HINWEIS:** \*1 In manchen europäischen Ländern kann bei Verwendung einer Diamantscheibe die gewöhnliche Schutzhaube anstelle der Spezialschutzhaube verwendet werden, die beide Seiten der Schleifscheibe abdeckt. Befolgen Sie die Vorschriften in Ihrem Land.

**HINWEIS:** Manche Teile in der Liste können als Standardzubehör im Werkzeugsatz enthalten sein. Sie können von Land zu Land unterschiedlich sein.

## Reinigung der Ventilationsöffnungen

Halten Sie das Werkzeug und seine Ventilationsöffnungen stets sauber. Reinigen Sie die Ventilationsöffnungen des Werkzeugs regelmäßig oder im Anfangsstadium einer Verstopfung.

► **Abb.24:** 1. Auslassöffnung 2. Einlassöffnung

Entfernen Sie den Staubfänger von der Ansaugöffnung, und reinigen Sie ihn, um ungehinderte Luftzirkulation zu gewährleisten.

► **Abb.25:** 1. Staubfänger

**ANMERKUNG:** Reinigen Sie den Staubfänger, wenn er mit Staub oder Fremdkörpern zugesetzt ist. Fortgesetzter Betrieb mit verstopftem Staubfänger kann zu einer Beschädigung des Werkzeugs führen.

## DATI TECNICI

Modello:	DGA521
Diametro disco	125 mm (5")
Spessore massimo disco	6 mm
Velocità nominale (n)	8.500 min <sup>-1</sup>
Lunghezza totale	375 mm
Tensione nominale	18 V CC
Peso netto	2,4 - 3,0 kg

- A causa del nostro programma continuativo di ricerca e sviluppo, i dati tecnici sono soggetti a modifiche senza preavviso.
- I dati tecnici possono variare da nazione a nazione.
- Il peso può variare a seconda dell'accessorio o degli accessori, inclusa la cartuccia della batteria. La combinazione più leggera e quella più pesante, secondo la procedura EPTA 01/2014, sono indicate nella tabella.

### Cartuccia della batteria e caricabatterie applicabili

Cartuccia della batteria	BL1815N / BL1820B / BL1830B / BL1840B / BL1850B / BL1860B
Caricabatterie	DC18RC / DC18RD / DC18RE / DC18SD / DC18SE / DC18SF / DC18SH

- Alcune cartucce delle batterie e alcuni caricabatterie elencati sopra potrebbero non essere disponibili a seconda della propria area geografica di residenza.

**⚠AVVERTIMENTO:** Utilizzare solo le cartucce delle batterie e i caricabatterie elencati sopra. L'utilizzo di altre cartucce delle batterie e di altri caricabatterie potrebbe causare lesioni personali e/o un incendio.

### Fonte di alimentazione collegata via cavo consigliata

Gruppo di alimentazione portatile	PDC01
-----------------------------------	-------

- La fonte o le fonti di alimentazione collegate via cavo elencate sopra potrebbero non essere disponibili, a seconda della propria area geografica di residenza.
- Prima di utilizzare la fonte di alimentazione collegata via cavo, leggere le istruzioni e le indicazioni delle avvertenze riportate su quest'ultima.

### Utilizzo previsto

Questo utensile è progettato per la smerigliatura, la carteggiatura, la spazzolatura metallica e il taglio di materiali metallici e in pietra, senza l'utilizzo di acqua.

### Rumore

Livello tipico di rumore pesato A determinato in base allo standard EN60745-2-3:

Livello di pressione sonora ( $L_{pA}$ ): 80 dB (A)

Incertezza (K): 3 dB (A)

Il livello del rumore nelle condizioni di lavoro può superare gli 80 dB (A).

**NOTA:** Il valore o i valori dichiarati delle emissioni di rumori sono stati misurati in conformità a un metodo standard di verifica, e possono essere utilizzati per confrontare un utensile con un altro.

**NOTA:** Il valore o i valori dichiarati delle emissioni di rumori possono venire utilizzati anche per una valutazione preliminare dell'esposizione.

**⚠AVVERTIMENTO:** Indossare protezioni per le orecchie.

**⚠AVVERTIMENTO:** L'emissione di rumori durante l'utilizzo effettivo dell'utensile elettrico può variare rispetto al valore o ai valori dichiarati, a seconda dei modi in cui viene utilizzato l'utensile e specialmente a seconda di che tipo di pezzo venga lavorato.

**⚠AVVERTIMENTO:** Accertarsi di identificare misure di sicurezza per la protezione dell'operatore che siano basate su una stima dell'esposizione nelle condizioni effettive di utilizzo (tenendo conto di tutte le parti del ciclo operativo, ad esempio del numero di spegnimenti dell'utensile e di quando giri a vuoto, oltre al tempo di attivazione).

## Vibrazioni

Valore totale delle vibrazioni (somma vettoriale triassiale) determinato in base allo standard EN60745-2-3: Modalità di lavoro: smerigliatura di superficie con impugnatura laterale normale

Emissione di vibrazioni ( $a_{h,AG}$ ): 5,0 m/s<sup>2</sup>

Incertezza (K): 1,5 m/s<sup>2</sup>

Modalità di lavoro: smerigliatura di superficie con impugnatura laterale antivibrazioni

Emissione di vibrazioni ( $a_{h,AG}$ ): 6,5 m/s<sup>2</sup>

Incertezza (K): 1,5 m/s<sup>2</sup>

Modalità di lavoro: carteggiatura con disco con impugnatura laterale normale

Emissione di vibrazioni ( $a_{h,AG}$ ): 2,5 m/s<sup>2</sup> o inferiore

Incertezza (K): 1,5 m/s<sup>2</sup>

Modalità di lavoro: carteggiatura con disco con impugnatura laterale antivibrazioni

Emissione di vibrazioni ( $a_{h,AG}$ ): 2,5 m/s<sup>2</sup> o inferiore

Incertezza (K): 1,5 m/s<sup>2</sup>

**NOTA:** Il valore o i valori complessivi delle vibrazioni dichiarati sono stati misurati in conformità a un metodo standard di verifica, e possono essere utilizzati per confrontare un utensile con un altro.

**NOTA:** Il valore o i valori complessivi delle vibrazioni dichiarati possono venire utilizzati anche per una valutazione preliminare dell'esposizione.

**⚠AVVERTIMENTO:** L'emissione delle vibrazioni durante l'utilizzo effettivo dell'utensile elettrico può variare rispetto al valore o ai valori dichiarati, a seconda dei modi in cui viene utilizzato l'utensile, specialmente a seconda di che tipo di pezzo venga lavorato.

**⚠AVVERTIMENTO:** Accertarsi di identificare misure di sicurezza per la protezione dell'operatore che siano basate su una stima dell'esposizione nelle condizioni effettive di utilizzo (tenendo conto di tutte le parti del ciclo operativo, ad esempio del numero di spegnimenti dell'utensile e di quando giri a vuoto, oltre al tempo di attivazione).

**⚠AVVERTIMENTO:** Il valore di emissione delle vibrazioni dichiarato viene utilizzato per le applicazioni principali dell'utensile elettrico. Tuttavia, qualora l'utensile elettrico venga utilizzato per altre applicazioni, il valore di emissione delle vibrazioni potrebbe essere diverso.

## Dichiarazione di conformità CE

### Solo per i paesi europei

La dichiarazione di conformità CE è inclusa nell'Allegato A al presente manuale di istruzioni.

## AVVERTENZE DI SICUREZZA

### Avvertenze generali relative alla sicurezza dell'utensile elettrico

**⚠AVVERTIMENTO:** Leggere tutte le avvertenze di sicurezza, le istruzioni, le illustrazioni e i dati tecnici forniti con il presente utensile elettrico. La mancata osservanza di tutte le istruzioni elencate di seguito potrebbe risultare in scosse elettriche, incendi e/o gravi lesioni personali.

### Conservare tutte le avvertenze e le istruzioni come riferimento futuro.

Il termine "utensile elettrico" nelle avvertenze si riferisce sia all'utensile elettrico (cablato) nel funzionamento alimentato da rete elettrica che all'utensile elettrico (a batteria) nel funzionamento alimentato a batteria.

### Avvertenze di sicurezza per la smerigliatrice a batteria

**Avvertenze di sicurezza comuni relative alle operazioni di smerigliatura, carteggiatura, spazzolatura metallica o taglio abrasivo:**

1. Questo utensile elettrico è progettato per la smerigliatura, la carteggiatura, la spazzolatura metallica o il taglio. Leggere tutte le avvertenze di sicurezza, le istruzioni, le illustrazioni e i dati tecnici forniti con questo utensile elettrico. La mancata osservanza di tutte le istruzioni seguenti potrebbe risultare in scosse elettriche, incendi e/o gravi lesioni personali.
2. L'esecuzione di operazioni quali la lucidatura con questo utensile elettrico non è consigliata. Le operazioni per le quali questo utensile elettrico non è stato progettato potrebbero costituire un pericolo e causare lesioni personali.
3. Non utilizzare accessori che non siano stati designati e consigliati appositamente dal produttore dell'utensile. La semplice possibilità di montare un accessorio sull'utensile elettrico utilizzato non ne garantisce un funzionamento sicuro.
4. La velocità nominale dell'accessorio deve essere almeno pari alla velocità massima indicata sull'utensile elettrico. Gli accessori che girano più velocemente della loro velocità nominale possono spaccarsi, e i frammenti possono venire scagliati via.
5. Il diametro esterno e lo spessore dell'accessorio utilizzato devono rientrare nella capacità nominale dell'utensile elettrico utilizzato. Non è possibile proteggere o controllare in modo appropriato accessori di dimensioni errate.
6. L'attacco filettato degli accessori deve coincidere con la filettatura del mandrino della smerigliatrice. Per gli accessori montati mediante flange, il foro per l'albero dell'accessorio deve essere adatto al diametro di posizionamento della flangia. Gli accessori che non coincidano con le misure degli attacchi di montaggio dell'utensile elettrico funzionano in modo sbilanciato, vibrano eccessivamente e potrebbero causare la perdita di controllo.



7. **Non utilizzare accessori danneggiati.** Prima di ciascun utilizzo, ispezionare l'accessorio e verificare l'eventuale presenza di: scheggiature o spaccature sulle mole abrasive; spaccature, lacerazioni o usura eccessiva sui platorelli di sostegno; fili metallici allentati o spaccati sulle spazzole metalliche. Qualora l'utensile elettrico o l'accessorio vengano fatti cadere, verificare l'eventuale presenza di danni o installare un accessorio non danneggiato. Dopo aver ispezionato e installato un accessorio, posizionare se stessi e gli astanti lontano dal piano di rotazione dell'accessorio, quindi far funzionare l'utensile elettrico alla massima velocità a vuoto per un minuto. Gli accessori danneggiati in genere si rompono, durante questo periodo di prova.
  8. **Indossare un'attrezzatura di protezione personale.** A seconda dell'applicazione, utilizzare una visiera, occhiali oppure occhiali di sicurezza. A seconda delle esigenze, indossare una mascherina antipolvere, protezioni per l'udito, guanti e un grembiule da officina in grado di arrestare piccoli frammenti abrasivi o dei pezzi in lavorazione. La protezione per gli occhi deve essere in grado di arrestare detriti volanti generati da svariate operazioni. La mascherina antipolvere o il respiratore devono essere in grado di filtrare le particelle generate dall'operazione in corso. L'esposizione prolungata al rumore ad alta intensità potrebbe causare la perdita dell'udito.
  9. **Tenere gli astanti a distanza di sicurezza dall'area di lavoro.** Chiunque entri nell'area di lavoro deve indossare l'attrezzatura di protezione personale. I frammenti del pezzo in lavorazione o di un accessorio rotto potrebbero venire scagliati via e causare lesioni personali a una distanza superiore alle immediate vicinanze dell'operazione in corso.
  10. **Mantenere l'utensile elettrico solo per le superfici di impugnatura isolate quando si esegue un'operazione in cui l'utensile per tagliare potrebbe entrare in contatto con fili elettrici nascosti.** Il contatto con un filo elettrico sotto tensione mette sotto tensione anche le parti metalliche esposte dell'utensile elettrico, e potrebbe causare una scossa elettrica all'operatore.
  11. **Non appoggiare mai l'utensile elettrico fino all'arresto completo dell'accessorio.** L'accessorio in rotazione potrebbe far presa sulla superficie di appoggio e tirare l'utensile elettrico facendone perdere il controllo all'operatore.
  12. **Non far funzionare l'utensile elettrico mentre lo si trasporta sul proprio fianco.** Un contatto accidentale con l'accessorio in rotazione potrebbe fare impigliare gli indumenti, attirando l'accessorio contro il corpo dell'operatore.
  13. **Pulire regolarmente le aperture di ventilazione dell'utensile elettrico.** La ventola del motore attira le polveri all'interno dell'alloggiamento, e l'accumulazione eccessiva di polvere metallica potrebbe causare pericoli di natura elettrica.
  14. **Non far funzionare l'utensile elettrico in prossimità di materiali infiammabili.** Le scintille potrebbero dare fuoco a tali materiali.
  15. **Non utilizzare accessori che richiedano refrigeranti liquidi.** L'impiego di acqua o di altri refrigeranti liquidi potrebbe causare la folgorazione o scosse elettriche.
- Contraccolpo e relative avvertenze**
- Il contraccolpo è una reazione improvvisa a un disco in rotazione, un platorello di sostegno, una spazzola o qualsiasi altro accessorio che resti incastrato o impigliato. Un accessorio in rotazione che resti incastrato o impigliato subisce un rapido stallo che, che a sua volta, spinge l'utensile elettrico fuori controllo nella direzione opposta alla rotazione dell'accessorio nel punto di inceppamento. Ad esempio, qualora una mola abrasiva resti incastrata o impigliata nel pezzo in lavorazione, il filo del disco che entra nel punto di inceppamento potrebbe scavare nella superficie del materiale, causando la fuoriuscita o il contraccolpo del disco verso l'esterno. Il disco potrebbe saltare verso l'operatore o lontano da quest'ultimo, a seconda della direzione del movimento del disco nel punto in cui si è incastrato. In queste condizioni, le mole abrasive potrebbero anche rompersi.
- Il contraccolpo è il risultato dell'uso improprio dell'utensile elettrico e/o di procedure o condizioni operative errate, e può essere evitato adottando le precauzioni appropriate indicate di seguito.
1. **Mantenere una salda presa sull'utensile elettrico e posizionare il corpo e il braccio in modo da poter resistere alle forze dei contraccolpi.** Per il massimo controllo dei contraccolpi o di reazioni di coppia durante l'avvio, utilizzare sempre il manico ausiliario, se in dotazione. L'operatore può controllare le reazioni di coppia o le forze dei contraccolpi, se adotta le precauzioni appropriate.
  2. **Non posizionare mai le mani in prossimità dell'accessorio in rotazione.** L'accessorio potrebbe saltare all'indietro sulla mano per un contraccolpo.
  3. **Non posizionare il corpo nell'area in cui l'utensile elettrico si sposterebbe qualora si verificasse un contraccolpo.** Il contraccolpo lancia l'utensile nella direzione opposta al movimento del disco sul punto in cui si è impigliato.
  4. **Fare particolarmente attenzione quando si intende lavorare su angoli, bordi acuti, e così via.** Evitare che l'accessorio rimbalzi o resti impigliato. Gli angoli, i bordi acuti o i rimbalzi tendono a far impigliare l'accessorio in rotazione e a causare la perdita di controllo o il contraccolpo.
  5. **Non montare catene per seghe, lame da intaglio per legno o lame dentate.** Queste lame causano frequenti contraccolpi e perdite di controllo.
- Non montare catene per seghe, lame da intaglio per legno o lame dentate.**
1. **Utilizzare solo i tipi di dischi consigliati per l'utensile elettrico utilizzato e la protezione specifica progettata per il disco selezionato.** I dischi che non siano stati progettati per questo utensile elettrico non possono essere adeguatamente protetti e non sono sicuri.
  2. **La superficie di smerigliatura dei dischi a centro depresso deve essere montata sotto il piano del lembo della protezione.** Un disco montato in modo errato che sporga oltre il piano del lembo della protezione non può essere protetto adeguatamente.

3. **La protezione deve essere montata saldamente sull'utensile elettrico e posizionata per la massima sicurezza, in modo che una parte minima del disco sia esposta verso l'operatore.** La protezione aiuta a proteggere l'operatore da frammenti di dischi rotti, dal contatto accidentale con il disco e dalle scintille che potrebbero incendiare gli indumenti.
4. **I dischi devono essere utilizzati esclusivamente per le applicazioni consigliate. Ad esempio: non smerigliare con il lato della mola troncatrice.** Le mole troncatrici abrasive sono progettate per la smerigliatura periferica, e le forze laterali applicate a queste mole potrebbero causarne la frantumazione.
5. **Utilizzare sempre flange dei dischi non danneggiate, di dimensione e forma corrette per il disco selezionato.** Flange dei dischi corrette supportano i dischi, riducendo pertanto la possibilità di rottura dei dischi. Le flange per mole troncatrici potrebbero essere diverse dalle flange per mole abrasive.
6. **Non utilizzare dischi usurati provenienti da utensili elettrici più grandi.** I dischi progettati per gli utensili elettrici più grandi non sono adatti alla velocità più elevata di un utensile più piccolo, e potrebbero scoppiare.

**Avvertenze di sicurezza supplementari specifiche per le operazioni di taglio abrasivo:**

1. **Non spingere forzatamente la mola troncatrice né applicare una pressione eccessiva. Non tentare di realizzare tagli eccessivamente profondi.** La sollecitazione eccessiva del disco incrementa il carico e la suscettibilità alla torsione o all'inceppamento del disco nel taglio, nonché la possibilità di contraccolpi o di rottura del disco.
2. **Non posizionare il corpo in linea e dietro il disco in rotazione.** Quando il disco, sul punto di lavorazione, si allontana dal corpo dell'operatore, un possibile contraccolpo potrebbe scagliare il disco in rotazione e l'utensile elettrico direttamente verso l'operatore.
3. **Quando il disco si sta inceppando o quando si intende interrompere il taglio per un qualsiasi motivo, spegnere l'utensile elettrico e mantenerlo immobile fino all'arresto completo del disco. Non tentare mai di rimuovere la mola troncatrice mentre è in movimento; in caso contrario, si potrebbe verificare un contraccolpo.** Investigare e adottare misure correttive per eliminare la causa dell'inceppamento del disco.
4. **Non riavviare l'operazione di taglio all'interno del pezzo in lavorazione. Lasciare che il disco raggiunga la piena velocità e rientrare con attenzione nel taglio.** Qualora si riavvii l'utensile elettrico all'interno del pezzo in lavorazione, il disco potrebbe incepparsi, rialzarsi o dare un contraccolpo.
5. **Supportare i pannelli o qualsiasi pezzo in lavorazione di grandi dimensioni, per ridurre al minimo il rischio che il disco resti incastrato o causi contraccolpi.** I pezzi in lavorazione di grandi dimensioni tendono a curvarsi sotto il proprio peso. I supporti devono essere piazzati sotto il pezzo in lavorazione, vicini alla linea di taglio e in prossimità del bordo del pezzo in lavorazione, da entrambi i lati del disco.

6. **Fare particolarmente attenzione quando si intende eseguire un "taglio di cavità" su pareti esistenti o altre aree cieche.** Il disco che sporge potrebbe tagliare tubi del gas o dell'acqua, cavi elettrici oppure oggetti che potrebbero causare contraccolpi.

**Avvertenze di sicurezza specifiche per le operazioni di carteggiatura:**

1. **Non utilizzare dischi di carta abrasiva di dimensioni superiori a quelle normali. Seguire i consigli dei produttori nella scelta della carta abrasiva.** La carta abrasiva di dimensioni maggiori che si estende oltre il platello di carteggiatura presenta un rischio di lacerazione, e potrebbe far impigliare o strappare il disco o causare contraccolpi.

**Avvertenze di sicurezza specifiche per le operazioni di spazzolatura metallica:**

1. **Tenere presente che le setole in filo metallico vengono scagliate via dalla spazzola anche durante il normale funzionamento. Non solleccare eccessivamente le setole in filo metallico esercitando un carico eccessivo sulla spazzola.** Le setole in filo metallico possono penetrare facilmente gli abiti leggeri e/o la pelle.
2. **Qualora sia consigliato l'uso di una protezione per la spazzolatura metallica, evitare qualsiasi interferenza della spazzola metallica a disco o della spazzola metallica con la protezione.** Il diametro della spazzola metallica a disco o della spazzola metallica potrebbe espandersi a causa del carico di lavoro e delle forze centrifughe.

**Avvertenze aggiuntive per la sicurezza:**

1. **Quando si intende utilizzare mole a centro depresso, scegliere esclusivamente mole rinforzate in fibra di vetro.**
2. **NON UTILIZZARE MAI mole a tazza in pietra con questa smerigliatrice.** Questa smerigliatrice non è progettata per questi tipi di mole, e l'utilizzo di tali prodotti potrebbe risultare in gravi lesioni personali.
3. **Fare attenzione a non danneggiare il supporto X-LOCK.** Il danneggiamento delle parti potrebbe risultare nella rottura del disco.
4. **Accertarsi che il disco non sia in contatto con il pezzo in lavorazione prima dell'attivazione dell'interruttore.**
5. **Prima di utilizzare l'utensile sul pezzo in lavorazione effettivo, lasciarlo girare per qualche momento. Osservare se siano presenti vibrazioni od ondeggiamenti, che potrebbero denotare un'installazione errata del disco o un disco bilanciato male.**
6. **Utilizzare la superficie specificata del disco per eseguire la molatura.**
7. **Non lasciare l'utensile in funzione. Far funzionare l'utensile solo mentre lo si impugna.**
8. **Non toccare il pezzo in lavorazione subito dopo averlo lavorato con l'utensile; la temperatura del pezzo potrebbe essere estremamente elevata e causare ustioni.**
9. **Non toccare gli accessori subito dopo l'utilizzo; la loro temperatura potrebbe essere estremamente elevata e potrebbero causare ustioni.**

10. Osservare le istruzioni del produttore per il corretto montaggio e utilizzo dei dischi. Maneggiare e conservare i dischi con cura.
11. Non utilizzare boccole di riduzione o adattatori separati per adattare mole abrasive con foro largo.
12. Accertarsi che il pezzo in lavorazione sia supportato correttamente.
13. Tenere presente che il disco continua a girare dopo lo spegnimento dell'utensile.
14. Qualora l'ambiente di lavoro sia estremamente caldo o umido, oppure notevolmente contaminato da polvere conduttiva, utilizzare un salvavita (da 30 mA) per garantire la sicurezza dell'operatore.
15. Non utilizzare l'utensile su materiali contenenti amianto.
16. Quando si utilizzano una mola troncatrice, lavorare sempre con la protezione disco per la raccolta delle polveri richiesta dalle normative locali.
17. I dischi da taglio non devono essere soggetti ad alcuna pressione laterale.
18. Non utilizzare guanti da lavoro in tessuto durante l'uso dell'utensile. Le fibre provenienti da guanti in tessuto potrebbero penetrare nell'utensile, causandone la rottura.
19. Prima dell'uso, accertarsi che non siano presenti oggetti interrati quali canaline elettriche, tubi dell'acqua o tubi del gas nel pezzo in lavorazione. In caso contrario, tali oggetti potrebbero causare scosse elettriche, dispersioni elettriche o fughe di gas.
4. Qualora l'elettrolita entri in contatto con gli occhi, sciacquarli con acqua pulita e richiedere immediatamente assistenza medica. Questa eventualità può risultare nella perdita della vista.
5. Non cortocircuitare la cartuccia della batteria:
  - (1) Non toccare i terminali con alcun materiale conduttivo.
  - (2) Evitare di conservare la cartuccia della batteria in un contenitore insieme ad altri oggetti metallici quali chiodi, monete, e così via.
  - (3) Non esporre la cartuccia della batteria all'acqua o alla pioggia.
 Un cortocircuito della batteria può causare un grande flusso di corrente, un surriscaldamento, possibili ustioni e persino un guasto.
6. Non conservare e utilizzare l'utensile e la cartuccia della batteria in ubicazioni in cui la temperatura possa raggiungere o superare i 50°C.
7. Non incenerire la cartuccia della batteria anche qualora sia gravemente danneggiata o completamente esaurita. La cartuccia della batteria può esplodere se a contatto con il fuoco.
8. Non inchiodare, tagliare, schiacciare, lanciare o far cadere la cartuccia della batteria, né farla urtare con forza contro un oggetto duro. Questi comportamenti potrebbero risultare in un incendio, calore eccessivo o un'esplosione.
9. Non utilizzare una batteria danneggiata.
10. Le batterie a ioni di litio contenute sono soggette ai requisiti del regolamento sul trasporto di merci pericolose (Dangerous Goods Legislation).

Per trasporti commerciali, ad esempio da parte di terzi o spedizionieri, è necessario osservare dei requisiti speciali sull'imballaggio e sull'etichetta. Per la preparazione dell'articolo da spedire, è richiesta la consulenza di un esperto in materiali pericolosi. Attenersi anche alle normative nazionali, che potrebbero essere più dettagliate. Nastrare o coprire i contatti aperti e imballare la batteria in modo tale che non si possa muovere liberamente all'interno dell'imballaggio.

## CONSERVARE LE PRESENTI ISTRUZIONI.

**⚠AVVERTIMENTO:** NON lasciare che comodità o la familiarità d'utilizzo con il prodotto (acquisita con l'uso ripetuto) sostituisca la stretta osservanza delle norme di sicurezza per il prodotto in questione. L'USO IMPROPRIO o la mancata osservanza delle norme di sicurezza indicate nel presente manuale di istruzioni potrebbero causare gravi lesioni personali.

### Istruzioni di sicurezza importanti per la cartuccia della batteria

1. Prima di utilizzare la cartuccia della batteria, leggere tutte le istruzioni e le avvertenze riportate (1) sul caricabatteria, (2) sulla batteria e (3) sul prodotto che utilizza la batteria.
2. Non smantellare né manomettere la cartuccia della batteria. In caso contrario, si potrebbe causare un incendio, calore eccessivo o un'esplosione.
3. Qualora il tempo di utilizzo si riduca eccessivamente, interrompere immediatamente l'utilizzo dell'utensile. In caso contrario, si può incorrere nel rischio di surriscaldamento, possibili ustioni e persino un'esplosione.
11. Quando si intende smaltire la cartuccia della batteria, rimuoverla dall'utensile e smaltirla in un luogo sicuro. Attenersi alle normative locali relative allo smaltimento della batteria.
12. Utilizzare le batterie esclusivamente con i prodotti specificati da Makita. L'installazione delle batterie in prodotti non compatibili potrebbe risultare in incendi, calore eccessivo, esplosioni o perdite di liquido elettrolitico.
13. Se l'utensile non viene utilizzato per un periodo di tempo prolungato, la batteria deve essere rimossa dall'utensile.
14. Durante e dopo l'uso, la cartuccia della batteria potrebbe assorbire calore, che può causare ustioni o ustioni a bassa temperatura. Fare attenzione a come si maneggiano le cartucce delle batterie estremamente calde.

15. **Non toccare i terminali dell'utensile subito dopo l'uso, in quanto potrebbero diventare estremamente caldi al punto da causare ustioni.**
16. **Evitare di far incastrare schegge, polveri o terreno nei terminali, nei fori e nelle scanalature della cartuccia della batteria.** In caso contrario, si potrebbero causare prestazioni scadenti o la rottura dell'utensile o della cartuccia della batteria.
17. **A meno che l'utensile supporti l'uso in prossimità di linee elettriche ad alta tensione, non utilizzare la cartuccia della batteria in prossimità di linee elettriche ad alta tensione.** In caso contrario, si potrebbe causare un malfunzionamento o la rottura dell'utensile o della cartuccia della batteria.
18. **Tenere la batteria lontana dai bambini.**

## CONSERVARE LE PRESENTI ISTRUZIONI.

**ATTENZIONE:** Utilizzare solo batterie originali Makita. L'utilizzo di batterie Makita non originali, o di batterie che siano state alterate, potrebbe risultare nello scoppio della batteria, causando incendi, lesioni personali e danni. Inoltre, ciò potrebbe invalidare la garanzia Makita per l'utensile e il caricabatterie Makita.

## Suggerimenti per preservare la durata massima della batteria

1. **Caricare la cartuccia della batteria prima che si scarichi completamente. Smettere sempre di utilizzare l'utensile e caricare la cartuccia della batteria quando si nota che la potenza dell'utensile è diminuita.**
2. **Non ricaricare mai una cartuccia della batteria completamente carica. La sovraccarica riduce la vita utile della batteria.**
3. **Caricare la cartuccia della batteria a una temperatura ambiente compresa tra 10 °C e 40 °C. Lasciar raffreddare una cartuccia della batteria prima di caricarla.**
4. **Quando non si utilizza la cartuccia della batteria, rimuoverla dall'utensile o dal caricabatterie.**
5. **Caricare la cartuccia della batteria se non la si è utilizzata per un periodo di tempo prolungato (più di sei mesi).**

## DESCRIZIONE DELLE FUNZIONI

**ATTENZIONE:** Accertarsi sempre che l'utensile sia spento e che la cartuccia della batteria sia stata rimossa prima di regolare o di controllare il funzionamento dell'utensile.

## Installazione o rimozione della cartuccia della batteria

**ATTENZIONE:** Spegnerne sempre l'utensile prima di installare o rimuovere la cartuccia della batteria.

**ATTENZIONE:** Mantenere saldamente lo strumento e la batteria quando si intende installare o rimuovere la cartuccia della batteria. Qualora non si mantengano saldamente lo strumento e la cartuccia della batteria, questi ultimi potrebbero scivolare dalle mani, con la possibilità di causare un danneggiamento dello strumento e della cartuccia della batteria, nonché una lesione personale.

► Fig.1: 1. Indicatore rosso 2. Pulsante 3. Cartuccia della batteria

Per rimuovere la cartuccia della batteria, farla scorrere via dall'utensile mentre si fa scorrere allo stesso tempo il pulsante sulla parte anteriore della cartuccia.

Per installare la cartuccia della batteria, allineare la linguetta sulla cartuccia della batteria con la scanalatura nell'alloggiamento e farla scivolare in sede. Inserirla completamente fino al suo blocco in sede con un leggero scatto. Se è possibile vedere l'indicatore rosso, che è indicato nella figura, non è bloccata completamente.

**ATTENZIONE:** Installare sempre fino in fondo la cartuccia della batteria, fino a quando l'indicatore rosso non è più visibile. In caso contrario, la batteria potrebbe cadere accidentalmente dall'utensile, causando lesioni personali all'operatore o a chi gli è vicino.

**ATTENZIONE:** Non installare forzatamente la cartuccia della batteria. Qualora la batteria non si inserisca scorrendo agevolmente, vuol dire che non viene inserita correttamente.

## Indicazione della carica residua della batteria

**Solo per cartucce delle batterie dotate di indicatore**

► Fig.2: 1. Indicatori luminosi 2. Pulsante di controllo

Premere il pulsante di controllo sulla cartuccia della batteria per indicare la carica residua della batteria. Gli indicatori luminosi si illuminano per alcuni secondi.

Indicatori luminosi			Carica residua
■	□	◐	
Illuminato	Spento	Lampeggiante	
■ ■ ■ ■			Dal 75% al 100%
■ ■ ■ □			Dal 50% al 75%
■ ■ □ □			Dal 25% al 50%
■ □ □ □			Dallo 0% al 25%
◐ □ □ □			Caricare la batteria.
■ ■ □ □	↑ ↓	■ ■	La batteria potrebbe essersi guastata.

**NOTA:** A seconda delle condizioni d'uso e della temperatura ambiente, l'indicazione potrebbe variare leggermente rispetto alla carica effettiva.

**NOTA:** Il primo indicatore luminoso (all'estremità sinistra) lampeggia quando il sistema di protezione della batteria è in funzione.

## Indicazione della carica residua della batteria

Quando si accende l'utensile, l'indicatore della batteria mostra la carica residua della batteria.

► **Fig.3:** 1. Indicatore della batteria

La carica residua della batteria viene indicata come mostrato nella tabella seguente.

Stato dell'indicatore della batteria			Carica residua della batteria
■	□	◐	
Acceso	Spento	Lampeggiante	
■ ■ ■ ■			Dal 50% al 100%
■ ■ ■ □			Dal 20% al 50%
■ ■ □ □			Dallo 0% al 20%
■ □ □ □			Caricare la batteria

## Sistema di protezione strumento/batteria

L'utensile è dotato di un sistema di protezione dell'utensile stesso e della batteria. Tale sistema interrompe automaticamente l'alimentazione al motore per prolungare la vita utile dell'utensile e della batteria. L'utensile si arresta automaticamente durante il funzionamento, qualora l'utensile o la batteria vengano a trovarsi in una delle condizioni seguenti:

### Protezione dal sovraccarico

Quando l'utensile o la batteria vengono utilizzati in modo tale da causare un assorbimento di corrente elevato in modo anomalo, l'utensile si arresta automaticamente senza alcuna indicazione. In tale situazione, spegnere l'utensile e interrompere l'applicazione che ha causato il sovraccarico dell'utensile. Quindi, accendere l'utensile per ricominciare.

### Protezione dal surriscaldamento

Quando l'utensile è surriscaldato si arresta automaticamente, e l'indicatore della batteria mostra lo stato seguente. In tal caso, lasciar raffreddare l'utensile prima di riaccenderlo.

■	◐
Acceso	Lampeggiante

Qualora l'utensile non si avvii, la batteria potrebbe essere surriscaldata. In tal caso, lasciar raffreddare la batteria prima di riavviare l'utensile.

### Protezione dalla sovraccarica

Quando la carica della batteria non è sufficiente, l'utensile si arresta automaticamente. In tal caso, rimuovere la batteria dall'utensile e caricarla.

### Annullamento del blocco di protezione

Quando il sistema di protezione si attiva ripetutamente l'utensile viene bloccato, e l'indicatore della batteria mostra lo stato seguente.

In questa situazione, l'utensile non si avvia anche se lo si spegne e lo si riaccende. Per annullare il blocco di protezione, rimuovere la batteria, inserirla nel caricabatterie e attendere che la carica sia terminata.

■	□	◐
Acceso	Spento	Lampeggiante

## Utilizzo dell'interruttore

**⚠ATTENZIONE:** Prima di installare la cartuccia della batteria nell'utensile, accertarsi sempre che l'interruttore scorrevole funzioni correttamente e che torni sulla posizione "OFF" quando si preme la parte posteriore dell'interruttore scorrevole.

**⚠ATTENZIONE:** L'interruttore può essere bloccato sulla posizione "ON" per la comodità dell'operatore durante l'uso prolungato. Fare attenzione quando si blocca l'utensile sulla posizione "ON", e mantenere una salda presa sull'utensile.

Per avviare l'utensile, tenere premuta l'estremità posteriore dell'interruttore scorrevole, quindi farla scorrere verso la posizione "I (ON)". Per il funzionamento continuo, tenere premuta l'estremità anteriore dell'interruttore scorrevole per bloccarlo.

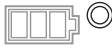

► Fig.4: 1. Interruttore scorrevole

Per arrestare l'utensile, tenere premuta l'estremità posteriore dell'interruttore scorrevole in modo da farla tornare verso la posizione "O (OFF)".

► Fig.5: 1. Interruttore scorrevole

## Funzione di variazione automatica della velocità

► Fig.6: 1. Indicatore di modalità

Stato dell'indicatore di modalità	Modalità di funzionamento
	Modalità ad alta velocità
	Modalità a coppia elevata

Questo utensile dispone di una "modalità ad alta velocità" e di una "modalità a coppia elevata". L'utensile cambia automaticamente la modalità di funzionamento a seconda del carico di lavoro. Quando l'indicatore di modalità si illumina durante il funzionamento, l'utensile è in modalità a coppia elevata.

## Funzione di prevenzione del riavvio accidentale

Quando si installa la cartuccia della batteria mentre l'interruttore scorrevole è sulla posizione "I (ON)", l'utensile non si avvia.

Per avviare l'utensile, innanzitutto far scorrere l'interruttore scorrevole verso la posizione "O (OFF)", quindi farlo scorrere verso la posizione "I (ON)".

## Tecnologia di rilevamento attivo della retroazione

L'utensile rileva elettronicamente situazioni in cui la mola o l'accessorio potrebbero correre il rischio di incepparsi. In tale situazione, l'utensile viene spento automaticamente per evitare un'ulteriore rotazione del mandrino (non previene eventuali contraccolpi). Per riavviare l'utensile, innanzitutto spegnerlo, rimuovere la causa della riduzione improvvisa della velocità di rotazione, quindi riaccendere l'utensile.

## Funzione di avvio morbido

La funzione di avvio morbido riduce la reazione di avvio.

## MONTAGGIO

**⚠ATTENZIONE:** Accertarsi sempre che l'utensile sia spento e che la cartuccia della batteria sia stata rimossa prima di regolare o di controllare il funzionamento dell'utensile.

## Installazione dell'impugnatura laterale (manico)

**⚠ATTENZIONE:** Accertarsi sempre che l'impugnatura laterale sia installata saldamente prima dell'uso.

Evitare saldamente l'impugnatura laterale sulla posizione dell'utensile mostrata nella figura.

► Fig.7

## Installazione o rimozione della protezione disco

**⚠AVVERTIMENTO:** Quando si utilizza un disco a centro depresso, un disco lamellare o una spazzola metallica a disco, è necessario montare la protezione disco sull'utensile, in modo che il lato chiuso della protezione sia sempre rivolto verso l'operatore.

**⚠AVVERTIMENTO:** Accertarsi che la protezione disco sia bloccata saldamente dalla leva di blocco con uno dei fori presenti sulla protezione disco.

**⚠AVVERTIMENTO:** Quando si intende utilizzare una mola troncatrice o un disco disco diamantato, accertarsi di utilizzare esclusivamente la protezione disco speciale progettata per l'impiego con le mole troncatrici.

(in alcune nazioni europee è possibile utilizzare la protezione ordinaria quando si utilizza un disco diamantato. Attenersi alle normative della propria nazione).

## Per dischi a centro depresso, dischi lamellari, spazzole metalliche a disco/mole troncatrici abrasive, dischi diamantati

1. Mentre si tiene premuta la leva di blocco, montare la protezione disco con le sporgenze sulla protezione disco allineate alle tacche sull'alloggiamento del cuscinetto.

► Fig.8: 1. Leva di blocco 2. Tacca 3. Sporgenza

2. Mentre si tiene premuta la leva di blocco nella direzione A, premere la protezione disco per farla entrare tenendo premute le parti B, come indicato nella figura.

► Fig.9: 1. Protezione disco 2. Foro

**NOTA:** Premere verso il basso la protezione disco tenendola dritta. In caso contrario, non è possibile premere completamente la protezione disco.

3. Mentre si mantengono le posizioni della leva di blocco e della protezione disco descritte al punto 2, ruotare la protezione disco nella direzione C, quindi, modificare l'angolazione della protezione disco in base al lavoro da eseguire.
- **Fig.10:** 1. Protezione disco 2. Foro

**NOTA:** Premere a fondo la protezione disco. In caso contrario, non è possibile ruotare la protezione disco.

Per rimuovere la protezione disco, seguire la procedura di installazione al contrario.

## Quando si intende utilizzare un disco a centro depresso o un disco lamellare

### Accessorio opzionale

**AVVERTIMENTO:** Quando si intende utilizzare un disco a centro depresso o un disco lamellare, la protezione disco deve essere montata sull'utensile in modo che il lato chiuso della protezione sia sempre rivolto verso l'operatore.

- **Fig.11:** 1. Disco a centro depresso 2. Protezione disco

## Quando si intende utilizzare una mola troncatrice abrasiva o un disco diamantato

### Accessorio opzionale

**AVVERTIMENTO:** Quando si intende utilizzare una mola troncatrice o un disco disco diamantato, accertarsi di utilizzare esclusivamente la protezione disco speciale progettata per l'impiego con le mole tronatrici.

(in alcune nazioni europee è possibile utilizzare la protezione ordinaria quando si utilizza un disco diamantato. Attenersi alle normative della propria nazione).

**AVVERTIMENTO:** Non utilizzare MAI una mola troncatrice per la molatura laterale.

- **Fig.12:** 1. Mola troncatrice abrasiva / disco diamantato 2. Protezione per mola troncatrice abrasiva / disco diamantato

## Installazione di una spazzola metallica a tazza

### Accessorio opzionale

**ATTENZIONE:** Non utilizzare una spazzola metallica a tazza danneggiata o sbilanciata. L'uso di una spazzola danneggiata potrebbe aumentare il rischio potenziale di lesioni personali dovute al contatto con i fili metallici rotti della spazzola.

- **Fig.13:** 1. Spazzola metallica a tazza

## Installazione di una spazzola metallica a disco

### Accessorio opzionale

**ATTENZIONE:** Non utilizzare una spazzola metallica a disco danneggiata o sbilanciata. Qualora si utilizzi una spazzola metallica a disco danneggiata, si aumenta il rischio potenziale di lesioni personali dovute al contatto con i fili metallici rotti della spazzola.

**ATTENZIONE:** Utilizzare SEMPRE la protezione con le spazzole metalliche a disco, accertandosi che il diametro del disco entri nella protezione. Il disco potrebbe frantumarsi durante l'uso, e la protezione contribuisce a ridurre il rischio di lesioni personali.

- **Fig.14:** 1. Spazzola metallica a disco 2. Protezione disco

## Installazione o rimozione di un disco X-LOCK

**AVVERTIMENTO:** Non azionare mai la leva di sblocco del supporto X-LOCK durante l'uso. Accertarsi che il disco X-LOCK si sia arrestato completamente, quando si intende rimuoverlo. In caso contrario, il disco X-LOCK si staccerebbe dall'utensile, e potrebbe causare gravi lesioni personali.

**ATTENZIONE:** Utilizzare esclusivamente dischi X-LOCK originali che rechino il logo X-LOCK. Questo utensile è dedicato per il sistema X-LOCK.

Il massimo spessore di aggancio rapido di 1,6 mm può venire garantito solo con dischi originali X-LOCK. L'utilizzo di altri dischi potrebbe portare a un aggancio rapido non saldo, e causare l'allentamento dell'attrezzo ad aggancio rapido.

**ATTENZIONE:** Non toccare il disco X-LOCK subito dopo l'uso. La sua temperatura potrebbe essere estremamente elevata e potrebbe causare ustioni.

**ATTENZIONE:** Accertarsi che il disco X-LOCK e il supporto dell'utensile non siano deformati e siano privi di polveri o corpi estranei.

**ATTENZIONE:** Non avvicinare il dito al supporto mentre si installa o si rimuove il disco X-LOCK. In caso contrario, il dito potrebbe venire pizzicato.

**ATTENZIONE:** Non avvicinare il dito alla leva di sblocco mentre si installa il disco X-LOCK. In caso contrario, il dito potrebbe venire pizzicato.

**NOTA:** Per installare o rimuovere i dischi X-LOCK, non è necessario alcun componente aggiuntivo, quali flange interne o controdadi.

1. Per installare il disco X-LOCK, accertarsi che entrambe le ganasce siano nella posizione sbloccata. In caso contrario, premere la leva di sblocco dal lato A per sollevare il lato B, quindi tirare la leva di sblocco dal lato B, come indicato nella figura. Le ganasce vengono disposte nella posizione sbloccata.

► **Fig.15:** 1. Ganasca 2. Leva di sblocco

2. Posizionare la parte centrale del disco X-LOCK sul supporto. Accertarsi che il disco X-LOCK sia parallelo alla superficie della flangia e con il lato corretto rivolto verso l'alto.
3. Premere il disco X-LOCK sul supporto. Le ganasce scattano nella posizione di blocco con un clic, e fissano il disco X-LOCK.

► **Fig.16:** 1. Disco X-LOCK 2. Supporto 3. Superficie della flangia 4. Ganasca

4. Accertarsi che il disco X-LOCK sia fissato correttamente. La superficie del disco X-LOCK non deve trovarsi a un'altezza superiore a quella della superficie del supporto, come indicato nella figura. In caso contrario, è necessario pulire il supporto, oppure il disco X-LOCK non deve essere utilizzato.

► **Fig.17:** 1. Superficie del supporto 2. Superficie del disco X-LOCK

Per rimuovere il disco X-LOCK, premere la leva di sblocco dal lato A per sollevare il lato B, quindi tirare la leva di sblocco dal lato B, come indicato nella figura. Il disco X-LOCK viene sbloccato ed è possibile rimuoverlo.

► **Fig.18:** 1. Leva di sblocco

## FUNZIONAMENTO

**⚠AVVERTIMENTO:** Non deve essere mai necessario forzare l'utensile. Il peso dell'utensile esercita una pressione adeguata. Qualora si forzi l'utensile e si eserciti una pressione eccessiva, si potrebbe causare una pericolosa rottura del disco.

**⚠AVVERTIMENTO:** Sostituire SEMPRE il disco se l'utensile è caduto durante la molatura.

**⚠AVVERTIMENTO:** Non fare MAI subire al disco violenti impatti o colpi contro il pezzo.

**⚠AVVERTIMENTO:** Evitare che il disco rimbalzi o resti impigliato, specialmente quando si lavorano angoli, bordi acuti, e così via. Questo potrebbe causare la perdita di controllo e contraccolpi.

**⚠AVVERTIMENTO:** Non utilizzare MAI l'utensile con lame per il taglio del legno e altre lame. Tali lame, se utilizzate su una smerigliatrice, causano spesso contraccolpi e perdite di controllo, che portano a lesioni personali.

**⚠AVVERTIMENTO:** Non azionare mai la leva di sblocco del supporto X-LOCK durante l'uso. Il disco X-LOCK si staccerebbe dall'utensile, e potrebbe causare gravi lesioni personali.

**⚠AVVERTIMENTO:** Accertarsi che il disco X-LOCK sia fissato saldamente.

**⚠ATTENZIONE:** Non accendere mai l'utensile mentre è in contatto con il pezzo in lavorazione, poiché potrebbe causare una lesione personale all'operatore.

**⚠ATTENZIONE:** Indossare sempre occhiali di sicurezza o una visiera durante il lavoro.

**⚠ATTENZIONE:** Dopo l'uso, spegnere sempre l'utensile e attendere l'arresto completo del disco prima di appoggiare l'utensile.

**⚠ATTENZIONE:** Tenere SEMPRE saldamente l'utensile con una mano sull'alloggiamento e l'altra sull'impugnatura laterale (manico).

## Operazione di smerigliatura e di carteggiatura

► **Fig.19**

Accendere l'utensile e applicare la mola o il disco sul pezzo in lavorazione.

In generale, mantenere il bordo della mola o del disco a un angolo di circa 15° rispetto alla superficie del pezzo in lavorazione.

Durante il periodo di rodaggio con una nuova mola, non far funzionare la smerigliatrice nella direzione in avanti; in caso contrario, potrebbe tagliare il pezzo in lavorazione. Dopo che il bordo della mola si è arrotondato con l'uso, può essere utilizzata in entrambe le direzioni in avanti e all'indietro.

## Funzionamento con mola troncatrice abrasiva / disco diamantato

*Accessorio opzionale*

**⚠AVVERTIMENTO:** Non spingere forzatamente il disco né applicare una pressione eccessiva. Non tentare di realizzare tagli eccessivamente profondi. La sollecitazione eccessiva del disco aumenta il carico e la sua suscettibilità alla torsione o all'inceppamento nel taglio, nonché la possibilità di contraccolpi, rottura del disco stesso e surriscaldamento del motore.

**⚠AVVERTIMENTO:** Non iniziare l'operazione di taglio all'interno del pezzo in lavorazione. Lasciare che il disco raggiunga la piena velocità ed entrare con cura nel taglio spostando l'utensile in avanti sulla superficie del pezzo in lavorazione. Il disco potrebbe incepparsi, rialzarsi o causare un contraccolpo, se l'utensile elettrico viene avviato all'interno del pezzo.

**⚠AVVERTIMENTO:** Durante le operazioni di taglio, non cambiare mai l'angolazione del disco. L'applicazione di una pressione laterale su una mola troncatrice (come per la molatura), causa la spaccatura e la rottura della mola, causando gravi lesioni personali.

**⚠AVVERTIMENTO:** Un disco diamantato va utilizzato perpendicolarmente al materiale da tagliare.

**Esempio di utilizzo: funzionamento con una mola troncatrice abrasiva**

► **Fig.20**

**Esempio di utilizzo: funzionamento con un disco diamantato**

► **Fig.21**



## Utilizzo con spazzola metallica a tazza

### Accessorio opzionale

**ATTENZIONE:** Controllare il funzionamento della spazzola facendo girare l'utensile a vuoto, accertandosi che non sia presente alcuna persona davanti o in linea con la spazzola.

**AVVISO:** Quando si utilizza una spazzola metallica a tazza, evitare di applicare una pressione eccessiva che faccia piegare troppo i fili metallici. Questo potrebbe portare a una rottura prematura della spazzola.

Esempio di utilizzo: utilizzo con spazzola metallica a tazza  
► Fig.22

## Utilizzo con una spazzola metallica a disco

### Accessorio opzionale

**ATTENZIONE:** Controllare il funzionamento della spazzola metallica a disco facendo girare l'utensile a vuoto, accertandosi che non sia presente alcuna persona davanti o in linea con la spazzola metallica a disco.

**AVVISO:** Evitare di applicare una pressione eccessiva che faccia piegare troppo i fili metallici quando si utilizza la spazzola metallica a disco. Questo potrebbe portare a una rottura prematura della spazzola.

Esempio di utilizzo: utilizzo con spazzola metallica a disco  
► Fig.23

## MANUTENZIONE

**ATTENZIONE:** Accertarsi sempre che l'utensile sia spento e che la cartuccia della batteria sia stata rimossa prima di tentare di eseguire interventi di ispezione o manutenzione.

**AVVISO:** Non utilizzare mai benzina, benzene, solventi, alcol o altre sostanze simili. In caso contrario, si potrebbero causare scolorimenti, deformazioni o crepe.

Per preservare la SICUREZZA e l'AFFIDABILITÀ del prodotto, le riparazioni e qualsiasi altro intervento di manutenzione e di regolazione devono essere eseguiti da centri di assistenza autorizzati Makita, utilizzando sempre pezzi di ricambio Makita.

## Pulizia delle aperture di ventilazione

L'utensile e le sue aperture di ventilazione devono essere mantenuti puliti. Pulire le aperture di ventilazione dell'utensile a intervalli regolari, oppure ogni volta che iniziano a ostruirsi.

► Fig.24: 1. Apertura di scarico 2. Apertura di aspirazione

Rimuovere la protezione antipolvere dalla presa di aspirazione e pulirla per consentire la circolazione dell'aria senza ostacoli.

► Fig.25: 1. Protezione antipolvere

**AVVISO:** Pulire la protezione antipolvere quando è ostruita da polveri o sostanze estranee. Il funzionamento continuativo con una protezione antipolvere ostruita potrebbe danneggiare l'utensile.

## ACCESSORI OPZIONALI

**ATTENZIONE:** Questi accessori o componenti aggiuntivi sono consigliati per l'uso con l'utensile Makita specificato nel presente manuale. L'impiego di altri accessori o componenti aggiuntivi può costituire un rischio di lesioni alle persone. Utilizzare gli accessori o i componenti aggiuntivi solo per il loro scopo prefissato.

Per ottenere ulteriori dettagli relativamente a questi accessori, rivolgersi a un centro di assistenza Makita.

- Batteria e caricabatterie originali Makita

► Fig.26

1	Impugnatura 36
2	Protezione disco (per la mola)
3	Disco a centro depresso / disco lamellare
4	Protezione disco (per mola troncatrice abrasiva) *1
5	Mola troncatrice abrasiva / disco diamantato
6	Spazzola metallica a disco
7	Spazzola metallica a tazza

**NOTA:** \*1 In alcune nazioni europee, quando si utilizza un disco diamantato è possibile utilizzare la protezione ordinaria al posto della protezione speciale che copre entrambi i lati del disco. Attenersi alle normative della propria nazione.

**NOTA:** Alcuni articoli nell'elenco potrebbero essere inclusi nell'imballaggio dell'utensile come accessori standard. Tali articoli potrebbero variare da nazione a nazione.

## TECHNISCHE GEGEVENS

Model:	DGA521
Schijfdiameter	125 mm (5")
Max. schijfdikte	6 mm
Nominaal toerental (n)	8.500 min <sup>-1</sup>
Totale lengte	375 mm
Nominale spanning	18 V gelijkstroom
Nettogewicht	2,4 - 3,0 kg

- In verband met ononderbroken research en ontwikkeling, behouden wij ons het recht voor de bovenstaande technische gegevens zonder voorafgaande kennisgeving te wijzigen.
- De technische gegevens kunnen van land tot land verschillen.
- Het gewicht kan verschillen afhankelijk van de hulpstukken, waaronder de accu. De lichtste en zwaarste combinatie, overeenkomstig de EPTA-procedure 01/2014, worden getoond in de tabel.

### Toepasselijke accu's en laders

Accu	BL1815N / BL1820B / BL1830B / BL1840B / BL1850B / BL1860B
Lader	DC18RC / DC18RD / DC18RE / DC18SD / DC18SE / DC18SF / DC18SH

- Sommige van de hierboven vermelde accu's en laders zijn mogelijk niet leverbaar afhankelijk van waar u woont.

**⚠️ WAARSCHUWING:** Gebruik uitsluitend de accu's en laders die hierboven worden genoemd. Gebruik van enige andere accu of lader kan leiden tot letsel en/of brand.

### Aanbevolen bekabelde voedingsbron

Draagbare voedingsseenheid	PDC01
----------------------------	-------

- De hierboven vermelde bekabelde voedingsbron(nen) is/zijn mogelijk niet leverbaar afhankelijk van waar u woont.
- Alvorens de bekabelde voedingsbron te gebruiken, leest u de instructies en waarschuwingsopchriften erop.

### Gebruiksdoeleinden

Het gereedschap is bedoeld voor het slijpen, draadborstelen, schuren en doorslijpen van metaal en steen zonder gebruik van water.

### Geluidsniveau

De typische, A-gewogen geluidsniveaus zijn gemeten volgens EN60745-2-3:

Geluidsdrukniveau (L<sub>pA</sub>): 80 dB (A)

Onzekerheid (K): 3 dB (A)

Het geluidsniveau kan tijdens gebruik hoger worden dan 80 dB (A).

**OPMERKING:** De opgegeven geluidsemisiewaarde(n) is/zijn gemeten volgens een standaardtestmethode en kan/kunnen worden gebruikt om dit gereedschap te vergelijken met andere gereedschappen.

**OPMERKING:** De opgegeven geluidsemisiewaarde(n) kan/kunnen ook worden gebruikt voor een beoordeling vooraf van de blootstelling.

**⚠️ WAARSCHUWING:** Draag gehoorbescherming.

**⚠️ WAARSCHUWING:** De geluidsemisie tijdens het gebruik van het elektrisch gereedschap in de praktijk kan verschillen van de opgegeven waarde(n) afhankelijk van de manier waarop het gereedschap wordt gebruikt, met name van het soort werkstuk waarmee wordt gewerkt.

**⚠️ WAARSCHUWING:** Zorg ervoor dat veiligheidsmaatregelen worden getroffen ter bescherming van de gebruiker die zijn gebaseerd op een schatting van de blootstelling onder praktijkomstandigheden (rekening houdend met alle fasen van de bedrijfscyclus, zoals de tijdsduur gedurende welke het gereedschap is uitgeschakeld en stationair draait, naast de ingeschakelde tijdsduur).

## Trilling

De totale trillingswaarde (triaxiale vectorsom) zoals vastgesteld volgens EN60745-2-3:

Gebruikstoepassing: slijpen van oppervlakken met normale zijhandgreep

Trillingsemisatie ( $a_{h,AG}$ ):  $5,0 \text{ m/s}^2$

Onzekerheid (K):  $1,5 \text{ m/s}^2$

Gebruikstoepassing: slijpen van oppervlakken met trillingsbestendige zijhandgreep

Trillingsemisatie ( $a_{h,AG}$ ):  $6,5 \text{ m/s}^2$

Onzekerheid (K):  $1,5 \text{ m/s}^2$

Gebruikstoepassing: schuren met schijf met normale zijhandgreep

Trillingsemisatie ( $a_{h,AG}$ ):  $2,5 \text{ m/s}^2$  of lager

Onzekerheid (K):  $1,5 \text{ m/s}^2$

Gebruikstoepassing: schuren met schijf met trillingsbestendige zijhandgreep

Trillingsemisatie ( $a_{h,AG}$ ):  $2,5 \text{ m/s}^2$  of lager

Onzekerheid (K):  $1,5 \text{ m/s}^2$

**OPMERKING:** De totale trillingswaarde(n) is/zijn gemeten volgens een standaardtestmethode en kan/kunnen worden gebruikt om dit gereedschap te vergelijken met andere gereedschappen.

**OPMERKING:** De opgegeven totale trillingswaarde(n) kan/kunnen ook worden gebruikt voor een beoordeling vooraf van de blootstelling.

**⚠️ WAARSCHUWING:** De trillingsemisatie tijdens het gebruik van het elektrisch gereedschap in de praktijk kan verschillen van de opgegeven waarde(n) afhankelijk van de manier waarop het gereedschap wordt gebruikt, met name van het soort werkstuk waarmee wordt gewerkt.

**⚠️ WAARSCHUWING:** Zorg ervoor dat veiligheidsmaatregelen worden getroffen ter bescherming van de gebruiker die zijn gebaseerd op een schatting van de blootstelling onder praktijkomstandigheden (rekening houdend met alle fasen van de bedrijfscyclus, zoals de tijdsduur gedurende welke het gereedschap is uitgeschakeld en stationair draait, naast de ingeschakelde tijdsduur).

**⚠️ WAARSCHUWING:** De opgegeven trillingsemisatie waarde geldt voor de voornaamste toepassingen van het elektrisch gereedschap. Als het elektrisch gereedschap echter voor andere toepassingen wordt gebruikt, kan de trillingsemisatie waarde daarvoor anders zijn.

## EG-verklaring van conformiteit

### Alleen voor Europese landen

De EG-verklaring van conformiteit is bijgevoegd als Bijlage A bij deze gebruiksaanwijzing.

# VEILIGHEIDSWAARSCHUWINGEN

## Algemene veiligheidswaarschuwingen voor elektrisch gereedschap

**⚠️ WAARSCHUWING:** Lees alle veiligheidswaarschuwingen, aanwijzingen, afbeeldingen en technische gegevens behorend bij dit elektrische gereedschap aandachtig door. Als u niet alle onderstaande aanwijzingen naleeft, kan dat resulteren in brand, elektrische schokken en/of ernstig letsel.

## Bewaar alle waarschuwingen en instructies om in de toekomst te kunnen raadplegen.

De term "elektrisch gereedschap" in de veiligheidsvoorwaarden duidt op gereedschappen die op stroom van het lichtnet werken (met snoer) of gereedschappen met een accu (snoerloos).

## Veiligheidswaarschuwingen voor een accuslijpmachine

Gemeenschappelijke veiligheidswaarschuwingen voor slijp-, schuur-, draadborstel- en doorslijpwerkzaamheden:

1. Dit elektrisch gereedschap is bedoeld voor gebruik als slijp-, schuur-, draadborstel- of doorslijpgereedschap. Lees alle veiligheidswaarschuwingen, instructies, afbeeldingen en technische gegevens die bij dit elektrisch gereedschap worden geleverd. Als u nalaat alle onderstaande instructies te volgen, kan dit leiden tot een elektrische schok, brand en/of ernstig letsel.
2. Werkzaamheden zoals polijsten worden niet aangeraden met dit elektrisch gereedschap. Werkzaamheden waarvoor dit elektrisch gereedschap niet is bedoeld kunnen gevaarlijke situaties opleveren en tot persoonlijk letsel leiden.
3. Gebruik geen accessoires die niet specifiek zijn ontworpen en aanbevolen door de fabrikant van het gereedschap. Ook wanneer het accessoire kan worden aangebracht op uw elektrisch gereedschap, is een veilige werking niet gegarandeerd.
4. Het nominale toerental van het accessoire moet minstens gelijk zijn aan het maximumtoerental vermeld op het elektrisch gereedschap. Accessoires die met een hoger toerental draaien dan hun nominaal toerental kunnen stuk breken en in het rond vliegen.
5. De buitendiameter en de dikte van het accessoire moeten binnen het capaciteitsbereik van het elektrisch gereedschap vallen. Accessoires met verkeerde afmetingen kunnen niet afdoende worden afgeschermd of beheerst.

6. **Als accessoires met schroefdraadbevestiging worden aangebracht, moet de schroefdraad overeenkomen met de asschroefdraad van de slijpmachine. Als accessoires met flensbevestiging worden aangebracht, moet het asgat van het accessoire overeenkomen met de diameter van de pasrand op de flens.** Accessoires die niet overeenkomen met de bevestigingshardware van het elektrisch gereedschap, zullen niet gebalanceerd draaien en buitensporig trillen, en kunnen leiden tot verlies van controle over het gereedschap.
7. **Gebruik nooit een beschadigd accessoire. Inspecteer het accessoire vóór ieder gebruik, bijvoorbeeld een slijpschijf op ontbrekende schiffers en barsten; een rugschijf op barsten, scheuren of buitensporige slijtage; en een draadborstel op losse of gebroken draden. Nadat het elektrisch gereedschap of accessoire is gevallen, inspecteert u het op schade of monteert u een onbeschadigd accessoire. Na inspectie en montage van een accessoire, zorgt u ervoor dat u en omstanders niet in het rotatievlak van het accessoire staan, en laat u het elektrisch gereedschap draaien op het maximaal, onbelast toerental gedurende één minuut.** Beschadigde accessoires breken normaal gesproken in stukken gedurende deze testduur.
8. **Draag persoonlijke-veiligheidsmiddelen. Afhankelijk van de toepassing gebruikt u een spatscherm, een beschermende bril of een veiligheidsbril. Al naar gelang de toepassing draagt u een stofmasker, gehoorbeschermers, handschoenen en een werkschoort die in staat zijn kleine stukjes slijpsel of werkstukfragmenten te weerstaan.** De oogbescherming moet in staat zijn rondvliegend afval te stoppen dat ontstaat bij de diverse werkzaamheden. Het stofmasker of ademhalingsapparaat moet in staat zijn deeltjes te filteren die ontstaat bij de werkzaamheden. Langdurige blootstelling aan zeer intens geluid kan leiden tot gehoorbeschadiging.
9. **Houd omstanders op veilige afstand van het werkgebied. Iedereen die zich binnen het werkgebied begeeft, moet persoonlijke-veiligheidsmiddelen gebruiken.** Fragmenten van het werkstuk of van een uiteengevallen accessoire kunnen rondvliegen en letsel veroorzaken buiten de onmiddellijk werkomgeving.
10. **Houd het elektrisch gereedschap alleen vast aan het geïsoleerde oppervlak van de handgrepen wanneer u werkt op plaatsen waar het gereedschap met verborgen bedrading in aanraking kan komen.** Door contact met onder spanning staande draden, zullen ook de niet-geïsoleerde metalen delen van het elektrisch gereedschap onder spanning komen te staan zodat de gebruiker een elektrische schok kan krijgen.
11. **Leg het elektrisch gereedschap nooit neer voordat het accessoire volledig tot stilstand is gekomen.** Het ronddraaiende accessoire kan de ondergrond pakken zodat u de controle over het elektrisch gereedschap verliest.
12. **Laat het elektrisch gereedschap niet draaien terwijl u het naast u draagt.** Als het ronddraaiende accessoire u per ongeluk raakt, kan het verstrikt raken in uw kleding waardoor het accessoire in uw lichaam wordt getrokken.
13. **Maak de ventilatieopeningen van het elektrisch gereedschap regelmatig schoon.** De ventilator van de motor zal het stof de behuizing in trekken, en een grote opeenhoping van metaalslijpsel kan leiden tot elektrisch gevaarlijke situaties.
14. **Gebruik het elektrisch gereedschap niet in de buurt van brandbare materialen.** Vonken kunnen deze materialen doen ontvlammen.
15. **Gebruik geen accessoires die met vloeistof moeten worden gekoeld.** Het gebruik van water of andere vloeibare koelmiddelen kan leiden tot elektrocutie of elektrische schokken.

#### **Terugslag en aanverwante waarschuwingen**

Terugslag is een plotselinge reactie op een beknelde of vastgelopen draaiende schijf, rugschijf, borstel of enig ander accessoire. Beknellen of vastlopen veroorzaakt een snelle stilstand van het draaiende accessoire dat op zijn beurt ertoe leidt dat het elektrisch gereedschap zich ongecontroleerd beweegt in de tegenovergestelde richting van de draairichting van het accessoire op het moment van vastlopen.

Bijvoorbeeld, als een slijpschijf bekneld raakt of vastloopt in het werkstuk, kan de rand van de schijf die het beknellingspunt ingaat, zich invreten in het oppervlak van het materiaal waardoor de schijf eruit klimt of eruit slaat. De schijf kan daarbij naar de gebruiker toe of weg springen, afhankelijk van de draairichting van de schijf op het beknellingspunt. Slijpschijven kunnen in dergelijke situaties ook breken.

Terugslag is het gevolg van misbruik van het elektrisch gereedschap en/of onjuiste gebruiksprocedures of omstandigheden, en kan worden voorkomen door goede voorzorgsmaatregelen te treffen, zoals hieronder vermeld:

1. **Houd het elektrisch gereedschap stevig vast en houd uw armen en lichaam zodanig dat u in staat bent een terugslag op te vangen. Gebruik altijd de extra handgreep (indien aanwezig) voor een maximale controle over het gereedschap in geval van terugslag en de koppelreactiekrachten bij het starten.** De gebruiker kan een terugslag of de koppelreactiekrachten opvangen indien de juiste voorzorgsmaatregelen worden getroffen.
2. **Plaats uw hand nooit in de buurt van het draaiende accessoire.** Het accessoire kan terugslaan over uw hand.
3. **Plaats uw lichaam niet in het gebied waar het elektrisch gereedschap naar toe gaat wanneer een terugslag optreedt.** Een terugslag zal het gereedschap bewegen in de tegenovergestelde richting van de draairichting van de schijf op het moment van beknellen.
4. **Wees bijzonder voorzichtig bij het werken met hoeken, scherpe randen, enz. Voorkom dat het accessoire springt of bekneld raakt.** Hoeken, scherpe randen of springen veroorzaken vaak beknellen van het draaiende accessoire wat leidt tot terugslag of verlies van controle over het gereedschap.
5. **Bevestig geen zaagketting, houtbewerkingsblad of getand zaagblad.** Dergelijke bladen leiden vaak tot terugslag of verlies van controle over het gereedschap.

## Veiligheidswaarschuwingen specifiek voor slijp- en doorslijpwerkzaamheden:

1. **Gebruik uitsluitend schijven van het type aanbevolen voor uw elektrisch gereedschap en de specifieke beschermkap voor de te gebruiken schijf.** Schijven waarvoor het elektrisch gereedschap niet is ontworpen, kunnen niet goed worden afgeschermd en zijn niet veilig.
2. **Het slijpoppervlak van schijven met een verzonken middengat moet bij het aanbrengen lager liggen dan het vlak van de beschermrand.** Bij een onjuist aangebrachte schijf die boven het vlak van de beschermrand uitsteekt is geen goede bescherming mogelijk.
3. **De beschermkap moet stevig worden vastgezet aan het elektrisch gereedschap en in de maximaal beschermende stand worden gezet zodat het kleinst mogelijke deel van de schijf is blootgesteld in de richting van de gebruiker.** De beschermkap dient om de gebruiker te beschermen tegen aanraking met de schijf, stukjes die daarvan af breken en vonken die brandgevaar voor kleding opleveren.
4. **Schijven mogen uitsluitend worden gebruikt voor de aanbevolen toepassingen. Bijvoorbeeld: u mag niet slijpen met de zijkant van een doorslijpschijf.** Doorslijpschijven zijn bedoeld voor slijpen met de rand. Krachten op het zijoppervlak kunnen deze schijven doen breken.
5. **Gebruik altijd onbeschadigde schijfflensen van de juiste afmetingen en vorm voor de te gebruiken schijf.** Een goede schijfflens ondersteunt de schijf en verkleint daarmee de kans op het breken van de schijf. Flenzen voor doorslijpschijven kunnen verschillen van flenzen voor slijpschijven.
6. **Gebruik geen deels afgesleten schijven van grotere elektrische gereedschappen.** Schijven die zijn bedoeld voor grotere elektrische gereedschappen zijn niet geschikt voor de hogere snelheid van een kleiner elektrisch gereedschap en kunnen in stukken breken.

## Aanvullende veiligheidswaarschuwingen specifiek voor doorslijpwerkzaamheden:

1. **Laat de doorslijpschijf niet vastlopen en oefen geen buitensporige druk uit. Probeer niet een buitensporig diepe snede te slijpen.** Een te grote kracht op de schijf verhoogt de belasting en de kans dat de schijf in de snede verdraait of vastloopt, waardoor terugslag kan optreden of de schijf kan breken.
2. **Plaats uw lichaam niet in één lijn achter de ronddraaiende schijf.** Wanneer de schijf, op het aangrijppunt in het werkstuk, zich van uw lichaam af beweegt, kunnen door de mogelijke terugslag de ronddraaiende schijf en het elektrisch gereedschap in uw richting worden geworpen.
3. **Wanneer de schijf vastloopt of u het slijpen onderbreekt, schakelt u het elektrisch gereedschap uit en houdt u dit stil totdat de schijf volledig tot stilstand is gekomen. Probeer nooit de doorslijpschijf uit de snede te halen terwijl de schijf nog draait omdat hierdoor een terugslag kan optreden.** Onderzoek waarom de schijf is vastgelopen en tref afdoende maatregelen om de oorzaak ervan op te heffen.

4. **Begin niet met doorslijpen terwijl de schijf al in het werkstuk steekt. Wacht totdat de schijf op maximaal toerental draait en breng daarna de schijf voorzichtig terug in de snede.** Wanneer het elektrisch gereedschap opnieuw wordt gestart terwijl de schijf al in het werkstuk steekt, kan de schijf vastlopen, omhoog lopen of terugslaan.
5. **Ondersteun platen en grote werkstukken om de kans op het beknellen van de schijf en terugslag te minimaliseren.** Grote werkstukken neigen door te zakken onder hun eigen gewicht. U moet het werkstuk ondersteunen vlakbij de snijlijn en vlakbij de rand van het werkstuk aan beide kanten van de schijf.
6. **Wees extra voorzichtig bij het maken van een invalslijpsnede in bestaande wanden of op andere plaats waarvan u de onderkant niet kunt zien.** De uitstekende schijf kan gas- of waterleidingen, elektrische bedrading of voorwerpen die terugslag veroorzaken raken.

## Veiligheidswaarschuwingen specifiek voor schuurwerkzaamheden:

1. **Gebruik geen veel te grote schuurpapierschijven. Volg de aanbevelingen van de fabrikant bij uw keuze van het schuurpapier.** Te groot schuurpapier dat uitsteekt tot voorbij de rand van het schuurkussen levert snijgevaar op en kan beknellen of scheuren van de schuurpapierschijf of terugslag veroorzaken.

## Veiligheidswaarschuwingen specifiek voor draadborstelwerkzaamheden:

1. **Wees erop bedacht dat ook tijdens normaal gebruik borstelraden door de borstel worden rondgeslingerd. Oefen niet te veel kracht uit op de borstelraden door een te hoge belasting van de borstel.** De borstelraden kunnen met gemak door dunne kleding en/of de huid dringen.
2. **Als het gebruik van een beschermkap wordt aanbevolen voor draadborstelen, zorgt u ervoor dat de draadschijf of draadborstel niet in aanraking komt met de beschermkap.** De draadschijf of draadborstel kan in diameter toenemen als gevolg van de werkbelasting en centrifugale krachten.

## Aanvullende veiligheidswaarschuwingen:

1. **Bij gebruik van een slijpschijf met een verzonken middengat, mag u uitsluitend met glasvezel versterkte schijven gebruiken.**
2. **GEBRUIK NOOIT een stenen komschijf op deze slijpmachine.** Deze slijpmachine is niet ontworpen voor dit type schijven en het gebruik ervan kan leiden tot ernstig persoonlijk letsel.
3. **Wees voorzichtig dat u de X-LOCK-houder niet beschadigt. Als de onderdelen beschadigd raken, kan de schijf breken.**
4. **Zorg ervoor dat de schijf niet in aanraking is met het werkstuk voordat u het gereedschap hebt ingeschakeld.**
5. **Laat gereedschap een tijdje draaien voordat u het op het werkstuk gaat gebruiken. Controleer op trillingen of schommelingen die op onjuiste montage of een slecht uitgebalanceerd schijf kunnen wijzen.**

6. Gebruik de aangegeven kant van de schijf om mee te slijpen.
7. Laat het gereedschap niet ingeschakeld liggen. Schakel het gereedschap alleen in wanneer u het vasthoudt.
8. Raak het werkstuk niet onmiddellijk na bewerking aan. Het kan bijzonder heet zijn en brandwonden op uw huid veroorzaken.
9. Raak accessoires niet onmiddellijk na bewerking aan. Deze kunnen bijzonder heet zijn en brandwonden op uw huid veroorzaken.
10. Houd u aan de instructies van de fabrikant voor het juist aanbrengen en gebruiken van de schijven. Behandel de schijven voorzichtig en berg deze met zorg op.
11. Gebruik geen afzonderlijke verlooppennen of adapters om slijpschijven met een groot asgat aan dit gereedschap aan te passen.
12. Zorg ervoor dat het werkstuk goed ondersteund is.
13. Houd er rekening mee dat de schijf nog een tijdje blijft draaien nadat het gereedschap is uitgeschakeld.
14. Indien de werkplaats uiterst warm en vochtig is, of erg verontreinigd is met geleidend stof, gebruikt u een kortsluitstroomonderbreker (30 mA) om de veiligheid van de gebruiker te verzekeren.
15. Gebruik het gereedschap niet op materialen die asbest bevatten.
16. Wanneer u een doorslijpschijf gebruikt, dient u altijd te werken met de stofvangbeschermer die door de plaatselijke overheid wordt voorgeschreven.
17. Schijven bedoeld voor doorslijpen mogen niet aan zijwaartse druk worden blootgesteld.
18. Draag geen stoffen werkhandschoenen tijdens gebruik van dit gereedschap. Vezels van stoffen handschoenen kunnen binnendringen in het gereedschap waardoor het gereedschap defect kan raken.
19. Verzeker u er vóór aanvang van de werkzaamheden van dat er geen voorwerpen, zoals elektriciteits-, gas- en waterleidingen, verborgen zitten in het werkstuk. Anders kan dit een elektrische schok, een lekstroom of een gaslek veroorzaken.

## BEWAAR DEZE INSTRUCTIES.

**⚠️ WAARSCHUWING:** Laat u NIET misleiden door een vals gevoel van competentie en bekendheid met het gereedschap (na veelvuldig gebruik) en neem alle veiligheidsvoorschriften van het betreffende gereedschap altijd strikt in acht. **VERKEERD GEBRUIK** of het niet naleven van de veiligheidsvoorschriften in deze gebruiksaanwijzing kan leiden tot ernstig persoonlijk letsel.

## Belangrijke veiligheidsinstructies voor een accu

1. Lees alle voorschriften en waarschuwingen op (1) de acculader, (2) de accu, en (3) het product waarvoor de accu wordt gebruikt, alvorens de accu in gebruik te nemen.
2. Haal de accu niet uit elkaar en saboteer hem niet. Dit kan leiden tot brand, buitensporige hitte of een explosie.
3. Als de gebruiktijd van een opgeladen accu aanzienlijk korter is geworden, moet u het gebruik ervan onmiddellijk stopzetten. Voortgezet gebruik kan oververhitting, brandwonden en zelfs een ontploffing veroorzaken.
4. Als elektrolyt in uw ogen is terechtgekomen, spoelt u uw ogen met schoon water en roept u onmiddellijk de hulp van een dokter in. Elektrolyt in de ogen kan blindheid veroorzaken.
5. Voorkom kortsluiting van de accu:
  - (1) Raak de accuklemmen nooit aan met een geleidend materiaal.
  - (2) Bewaar de accu niet in een bak waarin andere metalen voorwerpen zoals spijkers, munten e.d. worden bewaard.
  - (3) Stel de accu niet bloot aan water of regen. Kortsluiting van de accu kan oorzaak zijn van een grote stroomafgifte, oververhitting, brandwonden, en zelfs defecten.
6. Bewaar en gebruik het gereedschap en de accu niet op plaatsen waar de temperatuur kan oplopen tot 50 °C of hoger.
7. Werp de accu nooit in het vuur, ook niet wanneer hij zwaar beschadigd of volledig versleten is. De accu kan ontploffen in het vuur.
8. Laat de accu niet vallen, sla er geen spijker in, snijd er niet in, gooi er niet mee en stoot hem niet tegen een hard voorwerp. Dergelijke handelingen kunnen leiden tot brand, buitensporige hitte of een explosie.
9. Gebruik nooit een beschadigde accu.
10. De bijgeleverde lithium-ionbatterijen zijn onderhevig aan de vereisten in de wetgeving omtrent gevaarlijke stoffen.
 

Voor commercieel transport en dergelijke door derden en transporteurs moeten speciale vereisten ten aanzien van verpakking en etikettering worden nageleefd.

Als voorbereiding van het artikel dat wordt getransporteerd is het noodzakelijk een expert op het gebied van gevaarlijke stoffen te raadplegen. Houd u tevens aan mogelijk strengere nationale regelgeving.

Blootliggende contactpunten moeten worden afgedekt met tape en de accu moet zodanig worden verpakt dat deze niet kan bewegen in de verpakking.
11. Wanneer u de accu wilt weggooien, verwijdert u de accu vanaf het gereedschap en gooit u hem op een veilige manier weg. Volg bij het weggooien van de accu de plaatselijke voorschriften.

12. **Gebruik de accu's uitsluitend met de gereedschappen die door Makita zijn aanbevolen.** Als de accu's worden aangebracht in niet-compatibele gereedschappen, kan dat leiden tot brand, buitensporige warmteontwikkeling, een explosie of lekkage van elektrolyt.
13. **Als u het gereedschap gedurende een lange tijd niet denkt te gaan gebruiken, moet de accu vanaf het gereedschap worden verwijderd.**
14. **Tijdens en na gebruik, kan de accu heet worden waardoor brandwonden of koude brandwonden kunnen worden veroorzaakt. Wees voorzichtig bij het hanteren van een hete accu.**
15. **Raak de aansluitpunten van het gereedschap niet onmiddellijk na gebruik aan omdat deze heet genoeg kunnen zijn om brandwonden te veroorzaken.**
16. **Zorg ervoor dat geen steenslag, stof of grond vast komt te zitten op/in de aansluitpunten, openingen en groeven van de accu.** Dit kan leiden tot slechte prestaties of een defect van het gereedschap of de accu.
17. **Behalve indien gebruik van het gereedschap is toegestaan in de buurt van hoogspanningsleidingen, mag u de accu niet gebruiken in de buurt van een hoogspanningsleiding.** Dit kan leiden tot een storing of een defect van het gereedschap of de accu.
18. **Houd de accu uit de buurt van kinderen.**

## BEWAAR DEZE INSTRUCTIES.

**⚠ LET OP:** Gebruik uitsluitend originele Makita accu's. Het gebruik van niet-originele accu's, of accu's die zijn gewijzigd, kan ertoe leiden dat de accu ontploft en brand, persoonlijk letsel en schade veroorzaakt. Ook vervalt daarmee de garantie van Makita op het gereedschap en de lader van Makita.

## Tips voor een maximale levensduur van de accu

1. **Laad de accu op voordat hij volledig ontladen is. Stop het gebruik van het gereedschap en laad de accu op telkens wanneer u vaststelt dat het vermogen van het gereedschap is afgenomen.**
2. **Laad een volledig opgeladen accu nooit opnieuw op. Te lang opladen verkort de levensduur van de accu.**
3. **Laad de accu op bij een omgevingstemperatuur tussen 10 °C en 40 °C. Laat een warme accu afkoelen alvorens hem op te laden.**
4. **Als de accu niet wordt gebruikt, verwijdert u hem vanaf het gereedschap of de lader.**
5. **Laad de accu op als u deze gedurende een lange tijd (meer dan zes maanden) niet gaat gebruiken.**

## BESCHRIJVING VAN DE FUNCTIES

**⚠ LET OP:** Zorg altijd dat het gereedschap is uitgeschakeld en de accu ervan is verwijderd alvorens de functies op het gereedschap af te stellen of te controleren.

### De accu aanbrengen en verwijderen

**⚠ LET OP:** Schakel het gereedschap altijd uit voordat u de accu aanbrengt of verwijdert.

**⚠ LET OP:** Houd het gereedschap en de accu stevig vast tijdens het aanbrengen of verwijderen van de accu. Als u het gereedschap en de accu niet stevig vasthoudt, kunnen deze uit uw handen glijpen en het gereedschap of de accu beschadigen, of kan persoonlijk letsel worden veroorzaakt.

► Fig.1: 1. Rood deel 2. Knop 3. Accu

Om de accu te verwijderen verschuift u de knop aan de voorkant van de accu en schuift u tegelijkertijd de accu uit het gereedschap.

Om de accu aan te brengen lijnt u de lip op de accu uit met de groef in de behuizing en duwt u de accu op zijn plaats. Steek de accu zo ver mogelijk in het gereedschap tot u een klikgekluid hoort. Wanneer het rode deel zichtbaar is, zoals aangegeven in de afbeelding, is de accu niet geheel vergrendeld.

**⚠ LET OP:** Breng de accu altijd helemaal aan totdat het rode deel niet meer zichtbaar is. Als u dit niet doet, kan de accu per ongeluk uit het gereedschap vallen en u of anderen in uw omgeving verwonden.

**⚠ LET OP:** Breng de accu niet met kracht aan. Als de accu niet gemakkelijk in het gereedschap kan worden geschoven, wordt deze niet goed aangebracht.

### De resterende acculading controleren

**Alleen voor accu's met indicatorlampjes**

► Fig.2: 1. Indicatorlampjes 2. Testknop

Druk op de testknop op de accu om de resterende acculading te zien. De indicatorlampjes branden gedurende enkele seconden.

Indicatorlampjes			Resterende acculading
Brandt	Uit	Knippert	
■ ■ ■ ■	□ □ □ □	▬ ▬ ▬ ▬	75% tot 100%
■ ■ ■ □	□ □ □ □	▬ ▬ ▬ ▬	50% tot 75%
■ ■ □ □	□ □ □ □	▬ ▬ ▬ ▬	25% tot 50%
■ □ □ □	□ □ □ □	▬ ▬ ▬ ▬	0% tot 25%
▬ □ □ □	□ □ □ □	▬ ▬ ▬ ▬	Laad de accu op.
■ ■ □ □	□ □ □ □	▬ ▬ ▬ ▬	Er kan een storing zijn opgetreden in de accu.
□ □ □ □	■ ■ ■ ■	▬ ▬ ▬ ▬	

**OPMERKING:** Afhankelijk van de gebruiksomstandigheden en de omgevingstemperatuur, is het mogelijk dat de aangegeven acculading verschilt van de werkelijke acculading.






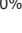


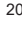



**OPMERKING:** Het eerste (meest linker) indicatorlampje knippert wanneer het accubeveiligingssysteem in werking is getreden.

## De resterende acculading controleren

Wanneer u het gereedschap inschakelt, toont het accu-indicatorlampje de resterende acculading.

► **Fig.3:** 1. Accu-indicatorlampje

De resterende acculading wordt aangegeven in de onderstaande tabel.

Toestand van accu-indicator			Resterende acculading
Aan	Uit	Knippert	
			50% tot 100%
			20% tot 50%
			0% tot 20%
			Laad de accu op.

## Gereedschap-/accubeveiligingssysteem

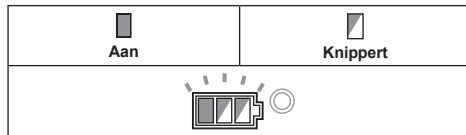
Het gereedschap is voorzien van een gereedschap-/accubeveiligingssysteem. Dit systeem schakelt automatisch de voeding naar de motor uit om de levensduur van het gereedschap en de accu te verlengen. Het gereedschap kan tijdens het gebruik automatisch stoppen als het gereedschap of de accu aan één van de volgende omstandigheden wordt blootgesteld:

### Overbelastingsbeveiliging

Wanneer het gereedschap of de accu wordt gebruikt op een manier waardoor een abnormaal hoge stroom wordt getrokken, stopt het gereedschap automatisch zonder dat een indicatorlampje gaat branden. Schakel in die situatie het gereedschap uit en stop het gebruik dat ertoe leidde dat het gereedschap overbelast raakte. Schakel daarna het gereedschap in om het weer te starten.

## Oververhittingsbeveiliging

Wanneer het gereedschap oververhit is, stopt het gereedschap automatisch en toont het accu-indicatorlampje de volgende status. In die situatie laat u het gereedschap eerst afkoelen voordat u het gereedschap opnieuw inschakelt.



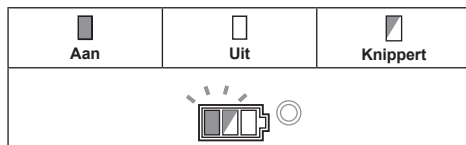
Als het gereedschap niet start, kan de accu oververhit zijn. In die situatie laat u de accu eerst afkoelen voordat u het gereedschap opnieuw start.

### Beveiliging tegen te ver ontladen

Als de acculading onvoldoende is, stopt het gereedschap automatisch. In dit het geval verwijdert u de accu vanaf het gereedschap en laadt u de accu op.

### De beveiligingsvergrendeling opheffen

Wanneer het beveiligingssysteem herhaaldelijk in werking treedt, wordt het gereedschap vergrendeld en toont het accu-indicatorlampje de volgende status. In deze situatie start het gereedschap niet meer, ook niet wanneer het gereedschap wordt in- en uitgeschakeld. Om de beveiligingsvergrendeling op te heffen, verwijdert u de accu, plaatst u deze in de acculader en wacht u tot het opladen is voltooid.



## Werking van de schakelaar

**⚠ LET OP:** Controleer altijd, voordat u de accu in het gereedschap aanbrengt, of de schuifschakelaar op de juiste manier schakelt en weer terugkeert naar de uit-stand, wanneer achter op de schuifschakelaar wordt gedrukt.

**⚠ LET OP:** De schakelaar kan worden vergrendeld in de aan-stand ten behoeve van het gebruikersgemak bij langdurig gebruik. Wees extra voorzichtig wanneer u de schakelaar in de aan-stand vergrendelt en houd het gereedschap altijd stevig vast.

Om het gereedschap te starten, drukt u de achterkant van de schuifschakelaar omlaag en schuift u die vervolgens naar de stand "I" (aan). Om het gereedschap continu te laten werken, drukt u de voorkant van de schuifschakelaar omlaag om deze te vergrendelen.

► **Fig.4:** 1. Schuifschakelaar

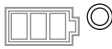

Om het gereedschap te stoppen, drukt u de achterkant van de schuifschakelaar omlaag zodat die terugkeert naar de stand "O" (uit).

► **Fig.5:** 1. Schuifschakelaar



## Automatische toerentalwisselfunctie

► Fig.6: 1. Functie-indicatorlampje

Toestand van functie-indicatorlampje	Bedrijfsfunctie
	Hoog-toerentalfunctie
	Hoog-koppelfunctie

Dit gereedschap heeft een "hoog-toerentalfunctie" en een "hoog-koppelfunctie". De bedrijfsfunctie wordt automatisch veranderd aan de hand van de werkbelasting. Wanneer tijdens gebruik het functie-indicatorlampje gaat branden, staat het gereedschap in de hoog-koppelfunctie.

## Beveiliging tegen onopzettelijk herstarten

Bij het aanbrengen van de accu in het gereedschap terwijl de schuifschakelaar in de stand "I" (aan) staat, start het gereedschap niet.

Om het gereedschap te starten schuift u de schuifschakelaar eerst naar de stand "O" (uit) en vervolgens naar de stand "I" (aan).

## Actieve terugkoppelingsdetectietechnologie

Het gereedschap detecteert elektronisch situaties waarin de schijf of het accessoire gevaar loopt om vast te lopen. In deze situatie wordt het gereedschap automatisch uitgeschakeld om verder ronddraaien van de as te voorkomen (het voorkomt niet terugslag).

Om het gereedschap te starten, schakelt u eerst het gereedschap uit, heft u de oorzaak van de plotselinge afname van het toerental op, en schakelt u daarna het gereedschap weer in.

## Zachte-startfunctie

De zachte-startfunctie voorkomt abrupt schoksgewijs inschakelen.

## MONTAGE

**⚠ LET OP:** Zorg altijd dat het gereedschap is uitgeschakeld en de accu ervan is verwijderd alvorens de functies op het gereedschap af te stellen of te controleren.

## De zijhandgreep (handvat) monteren

**⚠ LET OP:** Controleer altijd voor gebruik of de zijhandgreep stevig vastzit.

Draai de zijhandgreep vast op het gereedschap in een van de standen aangegeven in de afbeelding.

► Fig.7

## De beschermkap aanbrengen of verwijderen

**⚠ WAARSCHUWING:** Bij gebruik van een schijf met een verzonken middengat, lamellenschijf of schijfvormige draadborstel moet de beschermkap zodanig op het gereedschap worden aangebracht dat de gesloten zijde van de kap altijd naar de gebruiker is gekeerd.

**⚠ WAARSCHUWING:** Zorg ervoor dat de beschermkap goed vergrendeld wordt door de vergrendelhendel in een van de gaten in de beschermkap.

**⚠ WAARSCHUWING:** Wanneer u een doorslijpschijf of diamantschijf gebruikt, moet u altijd een beschermkap gebruiken die speciaal ontworpen is voor gebruik met doorslijpschijven.

(In sommige Europese landen kan bij gebruik van een diamantschijf de normale beschermkap worden gebruikt. Houd u aan de regelgeving in uw land.)

## Voor schijf met een verzonken middengat, lamellenschijf, schijfvormige draadborstel/ doorslijpschijf, diamantschijf

1. Terwijl u de vergrendelhendel ingedrukt houdt, monteert u de beschermkap met de uitsteeksels aan de beschermkap recht tegenover de inkepingen in het lagerhuis.

► Fig.8: 1. Vergrendelhendel 2. Inkeping 3. Uitsteeksels

2. Terwijl u de vergrendelhendel in de richting A duwt, duwt u de beschermkap erop door de posities B omlaag te houden, zoals aangegeven in de afbeelding.

► Fig.9: 1. Beschermkap 2. Gat

**OPMERKING:** Duw de beschermkap recht omlaag. Anders kunt u de beschermkap niet volledig omlaag duwen.

3. Terwijl u de vergrendelhendel en beschermkap in de stand houdt zoals beschreven in stap 2, draait u de beschermkap in de richting C en verandert u de hoek van de beschermkap al naar gelang uw werkzaamheden.

► Fig.10: 1. Beschermkap 2. Gat

**OPMERKING:** Duw de beschermkap volledig omlaag. Anders kunt u de beschermkap niet draaien.

Om de beschermkap te verwijderen, volgt u de procedure voor het aanbrengen in de omgekeerde volgorde.

## Bij gebruik van een schijf met een verzonken middengat of een lamellenschijf

*Optioneel accessoire*

**WAARSCHUWING:** Bij gebruik van een schijf met een verzonken middengat of een lamellenschijf, moet de beschermkap zodanig op het gereedschap worden aangebracht dat de gesloten zijde van de kap altijd naar de gebruiker is gekeerd.

- Fig.11: 1. Schijf met een verzonken middengat  
2. Beschermkap

## Bij gebruik van een doorslijpschijf of diamantschijf

*Optioneel accessoire*

**WAARSCHUWING:** Wanneer u een doorslijpschijf of diamantschijf gebruikt, moet u altijd een beschermkap gebruiken die speciaal ontworpen is voor gebruik met doorslijpschijven.

(In sommige Europese landen kan bij gebruik van een diamantschijf de normale beschermkap worden gebruikt. Houd u aan de regelgeving in uw land.)

**WAARSCHUWING:** Gebruik **NOOIT** een doorslijpschijf om zijdelings mee te slijpen.

- Fig.12: 1. Doorslijpschijf of diamantschijf  
2. Beschermkap voor doorslijpschijf of diamantschijf

## Een komvormige draadborstel aanbrengen

*Optioneel accessoire*

**LET OP:** Gebruik de komvormige draadborstel niet wanneer deze beschadigd is of onbalans heeft. Het gebruik van een beschadigde draadborstel verhoogt de kans op verwonding door aanraking van afgebroken borsteldraden.

- Fig.13: 1. Komvormige draadborstel

## Een schijfvormige draadborstel aanbrengen

*Optioneel accessoire*

**LET OP:** Gebruik de schijfvormige draadborstel niet wanneer deze beschadigd is of onbalans heeft. Het gebruik van een beschadigde schijfvormige draadborstel verhoogt de kans op verwonding door aanraking van afgebroken borsteldraden.

**LET OP:** Gebruik bij de schijfvormige draadborstel **ALTIJD** de beschermkap, waarbij de buitendiameter van de schijfvormige draadborstel binnenin de beschermkap moet vallen. De schijf kan tijdens het gebruik kapotslaan en de beschermkap helpt om persoonlijk letsel te voorkomen.

- Fig.14: 1. Schijfvormige draadborstel  
2. Beschermkap

## Een X-LOCK-schijf aanbrengen of verwijderen

**WAARSCHUWING:** Bedien de ontgrenselhendel van de X-LOCK-houder nooit tijdens gebruik. Verzekert u ervan dat de X-LOCK-schijf volledig tot stilstand is gekomen voordat u hem verwijdert. Anders kan de X-LOCK-schijf loskomen van het gereedschap en ernstig letsel veroorzaken.

**LET OP:** Gebruik uitsluitend originele X-LOCK-schijven met het X-LOCK-logo. Dit gereedschap is specifiek bedoeld voor X-LOCK.

De maximale klemdikte van 1,6 mm kan alleen worden gegarandeerd met originele X-LOCK-schijven.

Het gebruik van enige andere soort schijven kan leiden tot onvoldoende vastklemmen waardoor het klemgereedschap los kan raken.

**LET OP:** Raak de X-LOCK-schijf niet aan onmiddellijk na het gebruik. Deze kan bijzonder heet zijn en brandwonden op uw huid veroorzaken.

**LET OP:** Verzekert u ervan dat de X-LOCK-schijf en -houder van het gereedschap niet vervormd zijn en vrij zijn van vuil en vreemde stoffen.

**LET OP:** Plaats uw vinger niet vlakbij de houder tijdens het aanbrengen of verwijderen van de X-LOCK-schijf. Uw vinger kan bekneld raken.

**LET OP:** Plaats uw vinger niet vlakbij de ontgrenselhendel tijdens het aanbrengen of verwijderen van de X-LOCK-schijf. Uw vinger kan bekneld raken.

**OPMERKING:** Er zijn geen extra onderdelen nodig, zoals een binnenflens of borgmoer, om de X-LOCK-schijf aan te brengen.

- Om de X-LOCK-schijf aan te kunnen brengen, moeten beide vergrendelingen in de ontgrenselde stand staan.  
Als dat niet het geval is, drukt u de ontgrenselhendel aan de A-kant in zodat de B-kant omhoog komt, en trekt u daarna de ontgrenselhendel aan de B-kant verder open, zoals aangegeven in de afbeelding. De vergrendelingen staan nu in de ontgrenselde stand.  
► Fig.15: 1. Vergrendeling 2. Ontgrenselhendel
- Plaats het midden van de X-LOCK-schijf op de houder. Zorg ervoor dat de X-LOCK-schijf parallel ligt aan het oppervlak van de flens en met de correcte kant omhoog wijst.
- Duw de X-LOCK-schijf op de houder. De vergrendelingen klikken dicht in de vergrendelde stand en vergrendelen de X-LOCK-schijf.  
► Fig.16: 1. X-LOCK-schijf 2. Houder 3. Oppervlak van de flens 4. Vergrendeling
- Verzekert u ervan dat de X-LOCK-schijf correct is aangebracht. Het oppervlak van de X-LOCK-schijf is niet hoger dan het oppervlak van de houder, zoals aangegeven in de afbeelding.  
Zo niet, dan moet de houder worden schoongemaakt of mag de X-LOCK-schijf niet worden gebruikt.  
► Fig.17: 1. Oppervlak van de houder 2. Oppervlak van de X-LOCK-schijf

Om de X-LOCK-schijf te verwijderen, drukt u de ontgrendelhendel aan de A-kant in zodat de B-kant omhoog komt, en trekt u daarna de ontgrendelhendel aan de B-kant verder open, zoals aangegeven in de afbeelding.

De X-LOCK-schijf is ontgrendeld en kan worden verwijderd.

► **Fig.18:** 1. Ontgrendelhendel

## BEDIENING

**⚠WAARSCHUWING:** Het is in geen geval ooit nodig om grote druk op het gereedschap uit te oefenen. Het gewicht van het gereedschap oefent voldoende druk uit. Forceren of te grote druk uitoefenen kan ertoe leiden dat de schijf breekt, hetgeen gevaarlijk is.

**⚠WAARSCHUWING:** Vervang ALTIJD de schijf als het gereedschap tijdens het slijpen is gevallen.

**⚠WAARSCHUWING:** Laat NOOIT de schijf met kracht op uw werkstuk terechtkomen.

**⚠WAARSCHUWING:** Voorkom dat de schijf springt of bekneld raakt, met name bij het werken rond hoeken, scherpe randen enz. Dat kan leiden tot terugslag of verlies van controle over het gereedschap.

**⚠WAARSCHUWING:** Gebruik dit gereedschap NOOIT met houtzagen en andere zaagbladen. Zulke zaagbladen op een slijpmachine leiden vaak tot terugslag of verlies van controle over het gereedschap, wat kan leiden tot persoonlijk letsel.

**⚠WAARSCHUWING:** Bedien de ontgrendelhendel van de X-LOCK-houder nooit tijdens gebruik. De X-LOCK-schijf komt los van het gereedschap en kan ernstig letsel veroorzaken.

**⚠WAARSCHUWING:** Verzeker u ervan dat de X-LOCK-schijf stevig is aangebracht.

**⚠LET OP:** Schakel nooit het gereedschap in terwijl dat het werkstuk al raakt omdat hierdoor letsel kan worden veroorzaakt bij de gebruiker.

**⚠LET OP:** Draag tijdens gebruik altijd een veiligheidsbril of spatscherm.

**⚠LET OP:** Schakel na gebruik altijd het gereedschap uit en wacht tot de schijf helemaal tot stilstand is gekomen voordat u het gereedschap neerlegt.

**⚠LET OP:** Houd het gereedschap ALTIJD stevig vast met één hand op de behuizing en de andere hand aan de zijhandgreep (handvat).

## Gebruik als slijpmachine of schuurmachine

► **Fig.19**

Schakel het gereedschap in en breng daarna de schijf op/in het werkstuk.

In het algemeen geldt: houd de rand van de schijf onder een hoek van ongeveer 15° op het oppervlak van het werkstuk.

Tijdens de inlooptijd van een nieuwe schijf mag u de slijpmachine niet in voorwaartse richting bewegen omdat deze anders in het werkstuk kan 'invreten'. Pas nadat de rand van de schijf door slijtage is afgerond, mag u de schijf in zowel voorwaartse als achterwaartse richting gebruiken.

## Gebruik met een doorslijpschijf of diamantschijf

*Optioneel accessoire*

**⚠WAARSCHUWING:** Laat de schijf niet vastlopen en oefen geen buitensporige druk uit. Probeer niet een buitensporig diepe snede te slijpen. Een te grote kracht op de schijf verhoogt de belasting en de kans dat de schijf in de snede verdraait of vastloopt, waardoor terugslag kan optreden, de schijf kan breken of de motor oververhit kan raken.

**⚠WAARSCHUWING:** Begin niet met doorslijpen terwijl de schijf al in het werkstuk steekt. Wacht totdat de schijf op maximaal toerental draait en breng daarna de schijf voorzichtig in de snede terwijl u het gereedschap voorwaarts beweegt over het oppervlak van het werkstuk. Wanneer het elektrisch gereedschap wordt ingeschakeld terwijl de schijf al in het werkstuk steekt, kan de schijf vastlopen, omhoog lopen of terugslaan.

**⚠WAARSCHUWING:** Tijdens het doorslijpen mag u nooit de hoek van de schijf veranderen. Door zijdelingse druk uit te oefenen op de doorslijpschijf (zoals bij slijpen), zal de schijf barsten en breken waardoor ernstig persoonlijk letsel wordt veroorzaakt.

**⚠WAARSCHUWING:** Een diamantschijf moet haaks op het door te slijpen werkstuk worden gebruikt.

Praktijkvoorbeeld: gebruik met doorslijpschijf  
► **Fig.20**

Praktijkvoorbeeld: gebruik met diamantschijf  
► **Fig.21**

## Gebruik met een komvormige draadborstel

### Optioneel accessoire

**⚠ LET OP:** Controleer de werking van de draadborstel door het gereedschap onbelast te laten draaien terwijl u erop let dat niemand vóór of in één lijn met de draadborstel staat.

**KENNISGEVING:** Voorkom tijdens gebruik van de draadborstel te veel druk waardoor de draden van de komvormige draadborstel te veel verbuigen. Dit kan leiden tot voortijdig afbreken.

**Praktijkvoorbeeld:** gebruik met een komvormige draadborstel

► Fig.22

## Gebruik met een schijfvormige draadborstel

### Optioneel accessoire

**⚠ LET OP:** Controleer de werking van de schijfvormige draadborstel door het gereedschap onbelast te laten draaien terwijl u erop let dat niemand vóór of in één lijn met de schijfvormige draadborstel staat.

**KENNISGEVING:** Voorkom tijdens gebruik van de draadborstel te veel druk waardoor de draden van de schijfvormige draadborstel te veel verbuigen. Dit kan leiden tot voortijdig afbreken.

**Praktijkvoorbeeld:** gebruik met een schijfvormige draadborstel

► Fig.23

## ONDERHOUD

**⚠ LET OP:** Zorg altijd dat het gereedschap is uitgeschakeld en de accu ervan is verwijderd alvorens te beginnen met onderhoud of inspectie.

**KENNISGEVING:** Gebruik nooit benzine, wasbenzine, thinner, alcohol en dergelijke. Hierdoor kunnen verkleuring, vervormingen en barsten worden veroorzaakt.

Om de VEILIGHEID en BETROUWBAARHEID van het gereedschap te handhaven, dienen alle reparaties en al het overige onderhoud en afstellingen te worden uitgevoerd door een erkend Makita-servicecentrum, en altijd met gebruikmaking van originele Makita-vervangingsonderdelen.

## De ventilatieopeningen schoonmaken

Zorg dat het gereedschap en de ventilatieopeningen steeds goed schoon blijven. Maak regelmatig de ventilatieopeningen schoon en let goed op dat ze niet verstopt raken.

► Fig.24: 1. Luchtuitlaatopening  
2. Luchtinlaatopening

Verwijder het stofrooster vanaf de luchtinlaatopening en reinig het zodat de lucht er ongehinderd door kan stromen.

► Fig.25: 1. Stofrooster

**KENNISGEVING:** Reinig het stofrooster wanneer het verstopt zit met stof of vreemde voorwerpen. Als u het gereedschap blijft gebruiken met een verstopt stofrooster, kan het gereedschap beschadigd raken.

## OPTIONELE ACCESSOIRES

**⚠ LET OP:** Deze accessoires of hulpstukken worden aanbevolen voor gebruik met het Makita gereedschap dat in deze gebruiksaanwijzing is beschreven. Bij gebruik van andere accessoires of hulpstukken bestaat het gevaar van persoonlijke letsel. Gebruik de accessoires of hulpstukken uitsluitend voor hun bestemde doel.

Wenst u meer bijzonderheden over deze accessoires, neem dan contact op met het plaatselijke Makita-servicecentrum.

- Originele Makita accu's en acculaders

► Fig.26

1	Zijhandgreep 36
2	Beschermkap (voor slijpschijf)
3	Schijf met een verzonken middengat of lamellenschijf
4	Beschermkap (voor doorslijpschijf) *1
5	Doorslijpschijf of diamantschijf
6	Schijfvormige draadborstel
7	Komvormige draadborstel

**OPMERKING:** \*1 In sommige Europese landen kan bij gebruik van een diamantschijf de normale beschermkap worden gebruikt in plaats van de speciale beschermkap die beide zijden van de schijf afschermt. Houd u aan de regelgeving in uw land.

**OPMERKING:** Sommige items op de lijst kunnen zijn inbegrepen in de doos van het gereedschap als standaard toebehoren. Deze kunnen van land tot land verschillen.

## ESPECIFICACIONES

Modelo:	DGA521
Diámetro de la muela	125 mm (5")
Grosor máx. de la muela	6 mm
Velocidad especificada (n)	8.500 min <sup>-1</sup>
Longitud total	375 mm
Tensión nominal	CC 18 V
Peso neto	2,4 - 3,0 kg

- Debido a nuestro continuado programa de investigación y desarrollo, las especificaciones aquí dadas están sujetas a cambios sin previo aviso.
- Las especificaciones pueden ser diferentes de país a país.
- El peso puede variar dependiendo del accesorio(s), incluyendo el cartucho de batería. La combinación menos pesada y la más pesada, de acuerdo con el procedimiento EPTA 01/2014, se muestran en la tabla.

### Cartucho de batería y cargador aplicables

Cartucho de batería	BL1815N / BL1820B / BL1830B / BL1840B / BL1850B / BL1860B
Cargador	DC18RC / DC18RD / DC18RE / DC18SD / DC18SE / DC18SF / DC18SH

- Algunos de los cartuchos de batería y cargadores indicados arriba puede que no estén disponibles dependiendo de su región de residencia.

**⚠ ADVERTENCIA:** Utilice solamente los cartuchos de batería y cargadores listados arriba. La utilización de cualquier otro cartucho de batería y cargador puede ocasionar heridas y/o un incendio.

### Fuente de alimentación conectada por cable recomendada

Unidad portátil de alimentación eléctrica	PDC01
---	-------

- La fuente o fuentes de alimentación conectadas por cable indicadas arriba puede que no estén disponibles dependiendo de su región de residencia.
- Antes de utilizar la fuente de alimentación conectada por cable, lea las instrucciones e indicaciones de precaución sobre ella.

### Uso previsto

La herramienta ha sido prevista para esmerilar, lijar, cepillar con alambres y cortar metales y materiales de piedra sin utilizar agua.

### Ruido

El nivel de ruido A-ponderado típico determinado de acuerdo con la norma EN60745-2-3:

Nivel de presión sonora ( $L_{pA}$ ) : 80 dB (A)

Error (K) : 3 dB (A)

El nivel de ruido en situación de trabajo puede exceder 80 dB (A).

**NOTA:** El valor (o los valores) de emisión de ruido declarado ha sido medido de acuerdo con un método de prueba estándar y se puede utilizar para comparar una herramienta con otra.

**NOTA:** El valor (o valores) de emisión de ruido declarado también se puede utilizar en una valoración preliminar de exposición.

**⚠ ADVERTENCIA:** Póngase protectores para oídos.

**⚠ ADVERTENCIA:** La emisión de ruido durante la utilización real de la herramienta eléctrica puede variar del valor (o los valores) de emisión declarado dependiendo de las formas en las que la herramienta sea utilizada, especialmente qué tipo de pieza de trabajo se procesa.

**⚠ ADVERTENCIA:** Asegúrese de identificar medidas de seguridad para proteger al operario que estén basadas en una estimación de la exposición en las condiciones reales de utilización (teniendo en cuenta todas las partes del ciclo operativo como las veces cuando la herramienta está apagada y cuando está funcionando en vacío además del tiempo de gatillo).

## Vibración

El valor total de la vibración (suma de vectores triaxiales) determinado de acuerdo con la norma EN60745-2-3:

Modo de trabajo: esmerilado superficial con empuñadura lateral normal

Emisión de vibración ( $a_{h,AG}$ ): 5,0 m/s<sup>2</sup>

Error (K) : 1,5 m/s<sup>2</sup>

Modo de trabajo: esmerilado superficial con empuñadura lateral antivibratoria

Emisión de vibración ( $a_{h,AG}$ ): 6,5 m/s<sup>2</sup>

Error (K) : 1,5 m/s<sup>2</sup>

Modo de trabajo: lijado con disco con empuñadura lateral normal

Emisión de vibración ( $a_{h,AG}$ ): 2,5 m/s<sup>2</sup> o menos

Error (K) : 1,5 m/s<sup>2</sup>

Modo de trabajo: lijado con disco con empuñadura lateral antivibratoria

Emisión de vibración ( $a_{h,AG}$ ): 2,5 m/s<sup>2</sup> o menos

Error (K) : 1,5 m/s<sup>2</sup>

**NOTA:** El valor (o los valores) total de emisión de vibración declarado ha sido medido de acuerdo con un método de prueba estándar y se puede utilizar para comparar una herramienta con otra.

**NOTA:** El valor (o los valores) total de emisión de vibración declarado también se puede utilizar en una valoración preliminar de exposición.

**⚠ADVERTENCIA:** La emisión de vibración durante la utilización real de la herramienta eléctrica puede variar del valor (o los valores) de emisión declarado dependiendo de las formas en las que la herramienta sea utilizada, especialmente qué tipo de pieza de trabajo se procesa.

**⚠ADVERTENCIA:** Asegúrese de identificar medidas de seguridad para proteger al operario que estén basadas en una estimación de la exposición en las condiciones reales de utilización (teniendo en cuenta todas las partes del ciclo operativo como las veces cuando la herramienta está apagada y cuando está funcionando en vacío además del tiempo de gatillo).

**⚠ADVERTENCIA:** El valor de emisión de vibración declarado se utiliza para las aplicaciones principales de la herramienta eléctrica. Sin embargo, si la herramienta eléctrica es utilizada para otras aplicaciones, el valor de emisión de vibración podrá ser diferente.

## Declaración CE de conformidad

### Para países europeos solamente

La declaración CE de conformidad está incluida como Anexo A de esta manual de instrucciones.

## ADVERTENCIAS DE SEGURIDAD

### Advertencias de seguridad para herramientas eléctricas en general

**⚠ADVERTENCIA:** Lea todas las advertencias de seguridad, instrucciones, ilustraciones y especificaciones provistas con esta herramienta eléctrica. Si no sigue todas las instrucciones indicadas abajo podrá resultar en una descarga eléctrica, un incendio y/o heridas graves.

### Guarde todas las advertencias e instrucciones para futuras referencias.

El término "herramienta eléctrica" en las advertencias se refiere a su herramienta eléctrica de funcionamiento con conexión a la red eléctrica (con cable) o herramienta eléctrica de funcionamiento a batería (sin cable).

### Advertencias de seguridad para la esmeriladora inalámbrica

Advertencias de seguridad comunes para las operaciones de esmerilar, lijar, cepillar con alambres, o corte abrasivo:

1. Esta herramienta eléctrica ha sido prevista para funcionar como esmeriladora, lijadora, cepillo de alambres o herramienta de corte. Lea todas las advertencias de seguridad, instrucciones, ilustraciones y especificaciones provistas con esta herramienta eléctrica. Si no sigue todas las instrucciones indicadas abajo podrá resultar en una descarga eléctrica, un incendio y/o heridas graves.
2. Operaciones tales como las de pulido no se recomienda realizarlas con esta herramienta eléctrica. Las operaciones para las que la herramienta eléctrica no ha sido diseñada podrán crear un riesgo y ocasionar heridas personales.
3. No utilice accesorios que no estén específicamente diseñados y recomendados por el fabricante de la herramienta. Solo porque el accesorio pueda ser colocado en su herramienta eléctrica no garantiza una operación segura.
4. La velocidad especificada del accesorio deberá ser por lo menos igual a la máxima velocidad marcada en la herramienta eléctrica. Los accesorios utilizados por encima de su velocidad especificada podrán romperse y salir despedidos.
5. El diámetro exterior y el grosor de su accesorio deberán estar dentro del rango de capacidad de su herramienta eléctrica. Los accesorios de tamaño incorrecto no podrán ser protegidos y controlados debidamente.

6. **El montaje a rosca de los accesorios deberá coincidir con la rosca de mandril de la esmeriladora. Para accesorios montados con bridas, el orificio para eje del accesorio deberá encajar en el diámetro de ubicación de la brida.** Los accesorios que no coincidan con el mecanismo de montaje de la herramienta eléctrica se desequilibrarán, vibrarán excesivamente y podrán ocasionar una pérdida de control.
  7. **No utilice un accesorio que esté dañado. Antes de cada uso, inspeccione los accesorios tales como las muelas abrasivas por si están astilladas o agrietadas, el plato de respaldo por si está agrietado, rasgado o muy desgastado, el cepillo de alambres por si tiene alambres sueltos o quebradas. Si deja caer la herramienta eléctrica o el accesorio, inspeccione por si hay daños o instale un accesorio que no esté dañado. Después de inspeccionar e instalar un accesorio, póngase usted y cualquier curioso alejados del plano del accesorio giratorio y haga funcionar la herramienta a la máxima velocidad sin carga durante un minuto.** Los accesorios dañados normalmente se desintegrarán durante este tiempo de prueba.
  8. **Póngase equipo de protección personal. Dependiendo de la aplicación, utilice pantalla facial, gafas de protección o gafas de seguridad. Según corresponda, póngase mascarilla contra el polvo, protectores auditivos, guantes y delantal de taller que pueda detener pequeños fragmentos abrasivos o de pieza de trabajo.** La protección de los ojos deberá poder detener los desechos despedidos generados en distintas operaciones. La mascarilla contra el polvo o respirador deberá poder filtrar las partículas generadas por la operación que realice. Una exposición prolongada a ruido de alta intensidad podrá ocasionar pérdida auditiva.
  9. **Mantenga a los curiosos a una distancia segura del área de trabajo. Cualquier persona que entre en el área de trabajo deberá ponerse equipo de protección personal.** Los fragmentos de la pieza de trabajo o de un accesorio roto podrán salir despedidos y ocasionar heridas más allá del área de operación.
  10. **Cuando realice una operación en la que la herramienta de corte pueda entrar en contacto con cableado oculto, sujete la herramienta eléctrica por las superficies de aislamiento aisladas solamente.** El contacto con un cable con corriente también hará que la corriente circule por las partes metálicas expuestas de la herramienta eléctrica y podrá soltar una descarga eléctrica al operario.
  11. **No deje nunca la herramienta eléctrica hasta que el accesorio se haya detenido completamente.** El accesorio giratorio podrá agarrarse a la superficie y tirar de la herramienta eléctrica haciéndole perder el control de la misma.
  12. **No tenga en marcha la herramienta eléctrica mientras la transporta en su costado.** Un contacto accidental con el accesorio giratorio podrá enredar sus ropas, y atraer el accesorio hacia su cuerpo.
  13. **Limpie regularmente las aberturas de ventilación de la herramienta eléctrica.** El ventilador del motor conducirá el polvo hacia el interior de la carcasa y una acumulación excesiva de metal en polvo podrá ocasionar peligros eléctricos.
  14. **No utilice la herramienta eléctrica cerca de materiales inflamables.** Las chispas podrán prender fuego a estos materiales.
  15. **No utilice accesorios que requieran refrigerantes líquidos.** La utilización de agua u otros refrigerantes líquidos podrá resultar en una electrocución o descarga eléctrica.
- Advertencias sobre retrocesos bruscos y otros peligros relacionados**
- El retroceso brusco es una reacción repentina debida a un aprisionamiento o estancamiento de la muela giratoria, plato de respaldo, cepillo o cualquier otro accesorio giratorio. El aprisionamiento o estancamiento ocasiona un detenimiento rápido del accesorio giratorio que a su vez hace que la herramienta eléctrica descontrolada sea forzada en dirección opuesta a la rotación del accesorio en el punto de bloqueo.
- Por ejemplo, si una muela abrasiva queda aprisionada o estancada por la pieza de trabajo, el borde de la muela que está entrando en el punto de estancamiento puede hincarse en la superficie del material haciendo que la muela se salga de la hendidura o salte. La muela podrá saltar hacia el operario o en dirección contraria a él, dependiendo de la dirección del movimiento de la muela en el punto de estancamiento. Las muelas abrasivas también podrán romperse en estas condiciones. El retroceso brusco es el resultado de un mal manejo de la herramienta eléctrica y/o procedimientos o condiciones de operación incorrectos y pueden evitarse tomando las precauciones apropiadas ofrecidas abajo.
1. **Mantenga empuñada firmemente la herramienta eléctrica y coloque su cuerpo y brazo de forma que le permitan resistir las fuerzas del retroceso brusco. Utilice siempre el mango auxiliar, si está provisto, para tener el máximo control sobre el retroceso brusco o reacción de torsión durante la puesta en marcha.** El operario puede controlar las reacciones de torsión o fuerzas del retroceso brusco, si toma las precauciones adecuadas.
  2. **No ponga nunca su mano cerca del accesorio giratorio.** El accesorio podrá retroceder bruscamente sobre su mano.
  3. **No ponga su cuerpo en el área donde vaya a desplazarse la herramienta eléctrica si ocurre un retroceso brusco.** El retroceso brusco propulsará la herramienta en dirección opuesta al movimiento de la muela en el punto del enredo.
  4. **Tenga cuidado especial cuando trabaje en esquinas, bordes cortantes, etc. Evite que el accesorio rebote o se enrede.** Las esquinas, bordes cortantes o los rebotes tienen una tendencia a enredar el accesorio giratorio y causar una pérdida de control o retroceso brusco.
  5. **No coloque una cadena de sierra, un disco de tallar madera o un disco de sierra dentado.** Tales discos crean retrocesos bruscos y pérdida de control frecuentes.

#### Advertencias de seguridad específicas para operaciones de esmerilar y corte abrasivo:

1. **Utilice solamente tipos de muela que estén recomendadas para su herramienta eléctrica y el protector específico diseñado para la muela seleccionada.** Las muelas para las que no ha sido diseñada la herramienta eléctrica no pueden ser protegidas debidamente y no son seguras.
2. **La superficie para esmerilar de las muelas de centro hundido deberá estar montada por debajo del plano de la falda del protector.** Una muela mal montada que sobresalga a través del plano de la falda del protector no estará bien protegida.
3. **El protector deberá estar colocado firmemente en la herramienta eléctrica y posicionado para ofrecer la máxima seguridad, de forma que hacia el operario quede expuesta la mínima parte de muela.** El protector ayuda a proteger al operario de fragmentos de una muela rota, de un contacto accidental con la muela y de chispas que pueden prender fuego a sus ropas.
4. **Las muelas deberán ser utilizadas solamente para aplicaciones recomendadas. Por ejemplo: no esmerile con el lateral de una muela de corte.** Las muelas de corte abrasivo han sido previstas para esmerilado periférico, las fuerzas laterales aplicadas a estas muelas podrán ocasionar su desintegración.
5. **Utilice siempre bridas de muela que no estén dañadas, y del tamaño y forma correctos para la muela que ha seleccionado.** Las bridas de muela correctas sujetan la muela de tal manera que reducen la posibilidad de rotura de la muela. Las bridas para muelas de corte pueden ser diferentes de las bridas para muelas de esmerilar.
6. **No utilice muelas desgastadas de otras herramientas eléctricas más grandes.** Las muelas previstas para herramientas eléctricas más grandes no son apropiadas para la máxima velocidad de una herramienta más pequeña y pueden reventarla.

#### Advertencias de seguridad adicionales específicas para operaciones de corte abrasivo:

1. **No “atasque” la muela de corte o aplique presión excesiva. No intente hacer un corte de excesiva profundidad.** Si fatiga en exceso la muela, aumentará la carga y la susceptibilidad de retorcerse o estancarse en el corte y existirá la posibilidad de que se produzca un retroceso brusco o la rotura de la muela.
2. **No ponga su cuerpo en línea y por detrás de la muela giratoria.** Cuando la muela, en el punto de operación, se mueve apartándose de su cuerpo, un posible retroceso brusco puede impulsar la muela giratoria y la herramienta eléctrica directamente hacia usted.
3. **Cuando la muela esté estancándose o cuando quiera interrumpir un corte por cualquier razón, apague la herramienta eléctrica y sujétela sin moverla hasta que la muela se haya detenido completamente. No intente nunca sacar la muela de corte del corte estando la muela moviéndose porque podrá producirse un retroceso brusco.** Investigue y tome medidas correctivas para eliminar la causa del estancamiento de la muela.

4. **No recomience la operación de corte en la pieza de trabajo. Deje que la muela alcance plena velocidad y vuelva a entrar en el corte cuidadosamente.** Si vuelve a poner en marcha la herramienta eléctrica en la pieza de trabajo, la muela podrá estancarse, saltar o retroceder bruscamente.
5. **Sujete los paneles o cualquier pieza de trabajo demasiado grande para minimizar el riesgo de que la muela se estanque o retroceda bruscamente.** Las piezas de trabajo grandes tienden a combarse con su propio peso. Deberá poner apoyos debajo de la pieza de trabajo cerca de la línea de corte y cerca del borde de la pieza de trabajo en ambos lados de la muela.
6. **Extreme las precauciones cuando haga un “corte por hundimiento” en paredes u otras áreas ciegas.** La parte saliente de la muela podría cortar tuberías de gas o agua, cables eléctricos u objetos que pueden ocasionar un retroceso brusco.

#### Advertencias de seguridad específicas para operaciones de lijado:

1. **No utilice discos de papel de lijar de tamaño excesivamente grande. Siga las recomendaciones del fabricante cuando seleccione papel de lijar.** Un papel de lijar más grande que sobresalga del plato de lijar presentará un riesgo de laceración y podrá ocasionar un enredo o desgarre del disco o un retroceso brusco.

#### Advertencias de seguridad específicas para operaciones de cepillado con alambres:

1. **Sea consciente de que el cepillo lanza hebras de alambre incluso durante una operación normal. No fatigue los alambres aplicando una carga excesiva al cepillo.** Las hebras de alambre pueden penetrar la ropa ligera y/o la piel fácilmente.
2. **Si se recomienda utilizar un protector para el cepillado con alambres, no permita ninguna interferencia del disco o el cepillo de alambres con el protector.** El disco o el cepillo de alambres podrán expandir su diámetro debido a la carga del trabajo y las fuerzas centrífugas.

#### Advertencias de seguridad adicionales:

1. **Cuando utilice muelas de esmerilar de centro hundido, asegúrese de utilizar solamente muelas reforzadas con fibra de vidrio.**
2. **NO UTILICE NUNCA muelas de tipo copa de piedra con esta esmeriladora.** Esta esmeriladora no ha sido diseñada para estos tipos de muelas y la utilización de un producto como ese podrá resultar en graves heridas personales.
3. **Tenga cuidado de no dañar el soporte X-LOCK.** Los daños en las piezas podrán resultar en la rotura de la muela.
4. **Asegúrese de que la muela no está haciendo contacto con la pieza de trabajo antes de activar el interruptor.**
5. **Antes de utilizar la herramienta en una pieza de trabajo definitiva, déjela funcionar durante un rato. Observe por si hay vibración o bamboleo que pueda indicar una incorrecta instalación o muela mal equilibrada.**



6. Utilice la superficie especificada de la muela para realizar el esmerilado.
7. No deje la herramienta en marcha. Tenga en marcha la herramienta solamente cuando la tenga en la mano.
8. No toque la pieza de trabajo inmediatamente después de la operación; podrá estar muy caliente y quemarle la piel.
9. No toque los accesorios inmediatamente después de la operación; podrán estar muy calientes y quemarle la piel.
10. Observe las instrucciones del fabricante para montar y utilizar correctamente las muelas. Maneje y guarde con cuidado las muelas.
11. No utilice bujes de reducción o adaptadores separados para adaptar muelas abrasivas de orificio grande.
12. Compruebe que la pieza de trabajo está apoyada debidamente.
13. Tenga en cuenta que la muela continuará girando después de haber apagado la herramienta.
14. Si el lugar de trabajo es muy caluroso y húmedo, o si está muy contaminado con polvo conductor, utilice un disyuntor de cortocircuito (30 mA) para garantizar la seguridad del operario.
15. No utilice la herramienta con ningún material que contenga asbestos.
16. Cuando utilice muelas de corte, trabaje siempre con el protector de muela de recogida de polvo requerido por los reglamentos locales.
17. Los discos de cortar no deberán ser expuestos a ninguna presión lateral.
18. No utilice guantes de trabajo de tejido durante la operación. Las fibras del tejido pueden entrar en la herramienta, lo que ocasionará la rotura de la herramienta.
19. Antes de la operación, asegúrese de que no hay objetos enterrados como tubos de cables eléctricos, tuberías de agua o tuberías de gas en la pieza de trabajo. De lo contrario, podrá ocasionar una descarga eléctrica, fuga eléctrica o fuga de gas.

## GUARDE ESTAS INSTRUCCIONES.

**⚠ ADVERTENCIA:** NO deje que la comodidad o familiaridad con el producto (a base de utilizarlo repetidamente) sustituya la estricta observancia de las normas de seguridad para el producto en cuestión. El MAL USO o el no seguir las normas de seguridad establecidas en este manual de instrucciones podrá ocasionar graves heridas personales.

## Instrucciones de seguridad importantes para el cartucho de batería

1. Antes de utilizar el cartucho de batería, lea todas las instrucciones e indicaciones de precaución sobre (1) el cargador de baterías, (2) la batería, y (3) el producto con el que se utiliza la batería.
2. No desensamble ni manipule el cartucho de batería. Podrá resultar en un incendio, calor excesivo, o una explosión.
3. Si el tiempo de uso se acorta demasiado, cese la operación inmediatamente. Podría resultar en un riesgo de recalentamiento, posibles quemaduras e incluso una explosión.
4. Si entra electrólito en sus ojos, aclárelos con agua limpia y acuda a un médico inmediatamente. Existe el riesgo de poder perder la vista.
5. No cortocircuite el cartucho de batería:
  - (1) No toque los terminales con ningún material conductor.
  - (2) Evite guardar el cartucho de batería en un cajón junto con otros objetos metálicos, como clavos, monedas, etc.
  - (3) No exponga el cartucho de batería al agua ni a la lluvia.

Un cortocircuito en la batería puede producir una gran circulación de corriente, un recalentamiento, posibles quemaduras e incluso una rotura de la misma.
6. No guarde ni utilice la herramienta y el cartucho de batería en lugares donde la temperatura pueda alcanzar o exceder los 50 °C.
7. Nunca incinere el cartucho de batería incluso en el caso de que esté dañado seriamente o ya no sirva en absoluto. El cartucho de batería puede explotar si se tira al fuego.
8. No clave, corte, aplaste, lance, deje caer el cartucho de batería, ni golpee contra un objeto duro el cartucho de batería. Tal conducta podrá resultar en un incendio, calor excesivo, o una explosión.
9. No utilice una batería dañada.
10. Las baterías de litio-ion contenidas están sujetas a los requisitos de la Legislación para Materiales Peligrosos.
 

Para transportes comerciales, p.ej., por terceras personas y agentes de transportes, se deberán observar requisitos especiales para el empaquetado y etiquetado.

Para la preparación del artículo que se va a enviar, se requiere consultar con un experto en materiales peligrosos. Por favor, observe también la posibilidad de reglamentos nacionales más detallados.

Cubra con cinta aislante o enmascare los contactos expuestos y empaquete la batería de tal manera que no se pueda mover alrededor dentro del embalaje.
11. Para desechar el cartucho de batería, retírelo de la herramienta y deséchelo en un lugar seguro. Siga los reglamentos locales referentes al desecho de la batería.

12. **Utilice las baterías solamente con los productos especificados por Makita.** La instalación de las baterías en productos no compatibles puede resultar en un incendio, calor excesivo, explosión, o fuga de electrolito.
13. **Si la herramienta no va a ser utilizada durante un periodo de tiempo largo, la batería deberá ser retirada de la herramienta.**
14. **Durante y después de la utilización, el cartucho de batería podrá acumular calor, lo cual puede ocasionar quemaduras o quemaduras de baja temperatura. Preste atención al manejo de cartuchos de batería calientes.**
15. **No toque el terminal de la herramienta inmediatamente después de utilizar, dado que puede calentarse lo suficiente como para ocasionar quemaduras.**
16. **No permita que virutas, polvo, o tierra se adhieran dentro de los terminales, orificios, y ranuras del cartucho de batería.** Podría resultar en un mal rendimiento o rotura de la herramienta o el cartucho de batería.
17. **A menos que la herramienta pueda utilizarse cerca de cables eléctricos de alta tensión, no utilice el cartucho de batería cerca de cables eléctricos de alta tensión.** Podrá resultar en un mal funcionamiento o rotura de la herramienta o el cartucho de batería.
18. **Mantenga la batería alejada de los niños.**

## GUARDE ESTAS INSTRUCCIONES.

**⚠PRECAUCIÓN:** Utilice solamente baterías genuinas de Makita. La utilización de baterías no genuinas de Makita, o baterías que han sido alteradas, puede resultar en una explosión de la batería ocasionando incendios, heridas personales y daños. También anulará la garantía de Makita para la herramienta y el cargador de Makita.

## Consejos para alargar al máximo la vida de servicio de la batería

1. **Cargue el cartucho de batería antes de que se descargue completamente. Detenga siempre la operación y cargue el cartucho de batería cuando note menos potencia en la herramienta.**
2. **No cargue nunca un cartucho de batería que esté completamente cargado. La sobrecarga acortará la vida de servicio de la batería.**
3. **Cargue el cartucho de batería a temperatura ambiente de 10 °C - 40 °C. Si un cartucho de batería está caliente, déjelo enfriar antes de cargarlo.**
4. **Cuando no esté utilizando el cartucho de batería, retírelo de la herramienta o del cargador.**
5. **Cargue el cartucho de batería si no lo utiliza durante un periodo de tiempo prolongado (más de seis meses).**

## DESCRIPCIÓN DEL FUNCIONAMIENTO

**⚠PRECAUCIÓN:** Asegúrese siempre de que la herramienta está apagada y el cartucho de batería retirado antes de realizar cualquier ajuste o comprobación en la herramienta.

## Instalación o extracción del cartucho de batería

**⚠PRECAUCIÓN:** Apague siempre la herramienta antes de instalar o retirar el cartucho de batería.

**⚠PRECAUCIÓN:** Sujete la herramienta y el cartucho de batería firmemente cuando instale o retire el cartucho de batería. Si no sujeta la herramienta y el cartucho de batería firmemente podrán caérsele de las manos y resultar en daños a la herramienta y al cartucho de batería y heridas personales.

► **Fig.1:** 1. Indicador rojo 2. Botón 3. Cartucho de batería

Para retirar el cartucho de batería, deslícelo de la herramienta mientras desliza el botón de la parte frontal del cartucho.

Para instalar el cartucho de batería, alinee la lengüeta del cartucho de batería con la ranura del alojamiento y deslícelo al interior hasta encajarlo en su sitio. Insértele por completo hasta que se bloquee en su sitio con un pequeño chasquido. Si puede ver el indicador rojo como se muestra en la figura, no estará bloqueado completamente.

**⚠PRECAUCIÓN:** Instale siempre el cartucho de batería completamente hasta que no pueda verse el indicador rojo. En caso contrario, podrá caerse accidentalmente de la herramienta y ocasionarle heridas a usted o a alguien que esté cerca de usted.

**⚠PRECAUCIÓN:** No instale el cartucho de batería empleando fuerza. Si el cartucho no se desliza al interior fácilmente, será porque no está siendo insertado correctamente.

## Modo de indicar la capacidad de batería restante

*Solamente para cartuchos de batería con el indicador*

► **Fig.2:** 1. Lámparas indicadoras 2. Botón de comprobación

Presione el botón de comprobación en el cartucho de batería para indicar la capacidad de batería restante. Las lámparas indicadoras se iluminan durante unos pocos segundos.

Lámparas indicadoras			Capacidad restante
Iluminada	Apagada	Parpadeando	
■	□	▧	75% a 100%
■ ■ ■ ■			
■ ■ ■ ■	□		50% a 75%
■ ■ ■ ■	□ □		25% a 50%
■ ■ ■ ■	□ □ □ □		0% a 25%
▧	□ □ □ □		Cargue la batería.
■ ■ ■ ■	□ □ □ □		Puede que la batería no esté funcionando bien.
□ □ □ □	■ ■ ■ ■	↑ ↓	

**NOTA:** Dependiendo de las condiciones de utilización y de la temperatura ambiente, la indicación podrá variar ligeramente de la capacidad real.

**NOTA:** La primera lámpara indicadora (extremo izquierdo) parpadeará cuando el sistema de protección de la batería esté funcionando.

## Modo de indicar la capacidad de batería restante

Cuando usted enciende la herramienta, el indicador de batería muestra la capacidad de batería restante.

► **Fig.3:** 1. Indicador de batería

La capacidad de batería restante se muestra como en la tabla siguiente.

Estado del indicador de batería			Capacidad de batería restante
Encendido	Apagado	Parpadeando	
■	□	▧	50% a 100%
■ ■ ■ ■			
■ ■ ■ ■	□		20% a 50%
■ ■ ■ ■	□ □		0% a 20%
■ ■ ■ ■	□ □ □ □		Cargue la batería

## Sistema de protección de la herramienta / batería

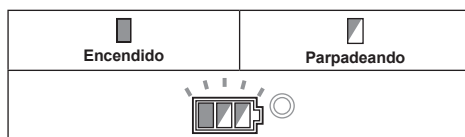
La herramienta está equipada con un sistema de protección de la herramienta/batería. Este sistema corta automáticamente la alimentación al motor para alargar la vida de servicio de la herramienta y la batería. La herramienta se detendrá automáticamente durante la operación si la herramienta o la batería es puesta en una de las condiciones siguientes:

### Protección contra sobrecarga

Cuando la herramienta/batería sea operada de manera que le haga absorber una corriente anormalmente alta, la herramienta se detendrá automáticamente sin ninguna indicación. En esta situación, apague la herramienta y detenga la aplicación que ocasiona la sobrecarga de la herramienta. Después encienda la herramienta para volver a empezar.

### Protección contra el recalentamiento

Cuando la herramienta se recalienta, se detiene automáticamente y el indicador de batería muestra el estado siguiente. En esta situación, deje que la herramienta se enfríe antes de encenderla otra vez.



Si la herramienta no se pone en marcha, es posible que la batería esté recalentada. En esta situación, deje que la batería se enfríe antes de poner en marcha la herramienta otra vez.

### Protección contra descarga excesiva

Cuando la capacidad de batería no es suficiente, la herramienta se detiene automáticamente. En este caso, retire la batería de la herramienta y cargue la batería.

### Liberación del bloqueo de protección

Cuando el sistema de protección se acciona repetidamente, la herramienta se bloquea y el indicador de batería muestra el estado siguiente. En esta situación, la herramienta no se pondrá en marcha aunque se intente apagarla y encenderla. Para liberar el bloqueo de protección, retire la batería, póngala en el cargador de batería y espere hasta que finalice la carga.



## Accionamiento del interruptor

**⚠ PRECAUCIÓN:** Antes de instalar el cartucho de batería en la herramienta, compruebe siempre para ver que el interruptor deslizable se acciona debidamente y que vuelve a la posición “apagada” cuando se presiona la parte trasera del interruptor deslizable.

**⚠ PRECAUCIÓN:** El interruptor puede ser bloqueado en la posición “encendida” para mayor comodidad del operario durante una utilización prolongada. Tenga precaución cuando bloquee la herramienta en la posición “encendida” y mantenga la herramienta firmemente empuñada.

Para poner en marcha la herramienta, presione hacia abajo el extremo trasero del interruptor deslizable y después deslícelo hacia la posición de “I (encendida)”. Para una operación continua, presione hacia abajo el extremo delantero del interruptor deslizable para bloquearlo.

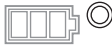

► Fig.4: 1. Interruptor deslizable

Para detener la herramienta, presione hacia abajo el extremo trasero del interruptor deslizable de manera que retorne a la posición de “O (apagada)”.

► Fig.5: 1. Interruptor deslizable

## Función de cambio automático de velocidad

► Fig.6: 1. Indicador de modo

Estado del indicador de modo	Modo de operación
	Modo velocidad alta
	Modo torsión alta

Esta herramienta tiene “modo velocidad alta” y “modo torsión alta”. La herramienta cambia automáticamente el modo de operación dependiendo de la carga de trabajo. Cuando el indicador de modo está iluminado durante la operación, la herramienta está en modo de torsión alta.

## Función de prevención de reinicio de puesta en marcha accidental

Cuando instale el cartucho de batería estando el interruptor deslizable en la posición “I” (encendida), la herramienta no se pondrá en marcha.

Para poner en marcha la herramienta, primero deslice el interruptor deslizable hacia la posición “O” (apagada) y después deslícelo hacia la posición “I” (encendida).

## Tecnología de detección de Retroalimentación Activa

La herramienta detecta electrónicamente situaciones en las que la muela o accesorio puede estar en riesgo de saltar. En esta situación, la herramienta se apaga automáticamente para prevenir que el mandril siga girando (no evita un retroceso brusco). Para volver a poner en marcha la herramienta, primero apague la herramienta, retire la causa de la repentina caída de la velocidad de giro, y después enciéndala otra vez.

## Función de inicio suave

La función de inicio suave reduce la reacción del arranque.

## MONTAJE

**⚠ PRECAUCIÓN:** Asegúrese siempre de que la herramienta está apagada y el cartucho de batería retirado antes de realizar cualquier ajuste o comprobación en la herramienta.

## Instalación de la empuñadura lateral (mango)

**⚠ PRECAUCIÓN:** Antes de la operación, asegúrese siempre de que la empuñadura lateral está instalada firmemente.

Rosque la empuñadura lateral firmemente en la posición de la herramienta mostrada en la figura.

► Fig.7

## Instalación o desmontaje del protector de muela

**⚠ ADVERTENCIA:** Cuando se utilice una muela de centro hundido, un disco flap o un cepillo circular de alambres, el protector de muela deberá estar instalado en la herramienta de tal forma que el lado cerrado del protector siempre quede orientado hacia el operario.

**⚠ ADVERTENCIA:** Asegúrese de que el protector de muela está bloqueado firmemente por medio de la palanca de bloqueo con uno de los orificios del protector de muela.

**⚠ ADVERTENCIA:** Cuando utilice una muela de corte abrasivo / muela de diamante, asegúrese de utilizar solamente el protector de muela especial diseñado para usar con muelas de corte.

(En algunos países europeos, cuando utilice una muela de diamante, podrá utilizar el protector ordinario. Siga los reglamentos de su país.)

## Para muela de centro hundido, disco flap, cepillo circular de alambre / muela de corte abrasivo, muela de diamante

1. Mientras empuja la palanca de bloqueo, monte el protector de muela con las protuberancias del protector de muela alineadas con las muescas de la caja de cojinetes.  
► Fig.8: 1. Palanca de bloqueo 2. Muesca 3. Protuberancia

2. Mientras empuja la palanca de bloqueo hacia A, empuje hacia dentro el protector de muela sujetando las partes B como se muestra en la figura.  
► Fig.9: 1. Protector de muela 2. Orificio

**NOTA:** Empuje hacia abajo el protector de muela en línea recta. De lo contrario, no podrá empujar el protector de muela completamente.

3. Mientras mantiene las posiciones de la palanca de bloqueo y del protector de muela como se describe en el paso 2, gire el protector de muela hacia C, y después, cambie el ángulo del protector de muela de acuerdo con el trabajo.

► **Fig.10:** 1. Protector de muela 2. Orificio

**NOTA:** Empuje el protector de muela completamente. De lo contrario, no podrá girar el protector de muela.

Para desmontar el protector de muela, siga el procedimiento de instalación a la inversa.

## Quando se utilice una muela de centro hundido o un disco flap

### Accesorios opcionales

**⚠ADVERTENCIA:** Cuando se utilice una muela de centro hundido o un disco flap, el protector de muela deberá estar instalado en la herramienta de tal forma que el lado cerrado del protector siempre quede orientado hacia el operario.

► **Fig.11:** 1. Muela de centro hundido 2. Protector de muela

## Quando utilice una muela de corte abrasivo / muela de diamante

### Accesorios opcionales

**⚠ADVERTENCIA:** Cuando utilice una muela de corte abrasivo / muela de diamante, asegúrese de utilizar solamente el protector de muela especial diseñado para usar con muelas de corte.

(En algunos países europeos, cuando utilice una muela de diamante, podrá utilizar el protector ordinario. Siga los reglamentos de su país.)

**⚠ADVERTENCIA:** No utilice NUNCA una muela de corte para esmerilar lateralmente.

► **Fig.12:** 1. Muela de corte abrasivo / muela de diamante 2. Protector de muela para muela de corte abrasivo / muela de diamante

## Instalación del cepillo de alambres en copa

### Accesorios opcionales

**⚠PRECAUCIÓN:** No utilice un cepillo de alambres en copa que esté dañado o desequilibrado. La utilización de un cepillo dañado podrá aumentar la posibilidad de heridas causadas por el contacto con alambres rotos del cepillo.

► **Fig.13:** 1. Cepillo de alambres en copa

## Instalación del cepillo circular de alambre

### Accesorios opcionales

**⚠PRECAUCIÓN:** No utilice un cepillo circular de alambres que esté dañado o desequilibrado. La utilización de un cepillo circular de alambres dañado podrá aumentar la posibilidad de heridas causadas por el contacto con alambres rotos.

**⚠PRECAUCIÓN:** Utilice SIEMPRE el protector con cepillos circulares de alambres, asegurándose de que el diámetro del cepillo encaje dentro del protector. El cepillo puede desintegrarse durante la utilización y el protector ayuda a reducir las posibilidades de que se produzcan heridas personales.

► **Fig.14:** 1. Cepillo circular de alambres 2. Protector de muela

## Instalación o desmontaje de la muela X-LOCK

**⚠ADVERTENCIA:** No accione nunca la palanca de liberación del soporte X-LOCK durante la operación. Asegúrese de que la muela X-LOCK se ha detenido completamente cuando la vaya a desmontar. De lo contrario, la muela X-LOCK se soltará de la herramienta y podrá ocasionar heridas graves.

**⚠PRECAUCIÓN:** Utilice solamente muelas X-LOCK originales que tengan el logotipo X-LOCK. Esta herramienta es exclusivamente para X-LOCK.

El calibre máximo de sujeción de 1,6 mm solo se puede garantizar con muelas X-LOCK originales.

La utilización de cualquier otra muela puede dar lugar a una sujeción poco firme, y ocasionar que el instrumento de sujeción se afloje.

**⚠PRECAUCIÓN:** No toque la muela X-LOCK inmediatamente después de la operación. Podrá estar extremadamente caliente y podría quemarle la piel.

**⚠PRECAUCIÓN:** Asegúrese de que la muela y el soporte X-LOCK de la herramienta no están deformados y que están libres de polvo o materias extrañas.

**⚠PRECAUCIÓN:** No ponga el dedo cerca del soporte mientras instala o retira la muela X-LOCK. Podría pillarse el dedo.

**⚠PRECAUCIÓN:** No ponga el dedo cerca de la palanca de liberación mientras instala la muela X-LOCK. Podría pillarse el dedo.

**NOTA:** Para instalar o retirar las muelas X-LOCK no se requieren piezas adicionales como bridas interiores o contratueras.

1. Para instalar la muela X-LOCK, asegúrese de que ambos enganches están en la posición desbloqueada. En caso contrario, empuje la palanca de liberación desde el lado A para levantar el lado B, después tire de la palanca de liberación desde el lado B como se muestra en la ilustración. Los enganches se pondrán en la posición desbloqueada.

► **Fig.15:** 1. Enganche 2. Palanca de liberación

2. Coloque una posición central de la muela X-LOCK sobre el soporte.  
Asegúrese de que la muela X-LOCK está paralela a la superficie de la brida y con la cara correcta orientada hacia arriba.
  3. Empuje la muela X-LOCK hacia dentro del soporte. Los enganches encajarán en la posición de bloqueo con un chasquido y sujetarán la muela X-LOCK.
- **Fig.16:** 1. Muela X-LOCK 2. Soporte 3. Superficie de la brida 4. Enganche

4. Asegúrese de que la muela X-LOCK está sujeta correctamente. Como se muestra en la figura, la superficie de la muela X-LOCK no tiene que estar más alta que la superficie del soporte.  
En caso contrario, deberá limpiar el soporte o no utilizar la muela X-LOCK.

► **Fig.17:** 1. Superficie del soporte 2. Superficie de la muela X-LOCK

Para retirar la muela X-LOCK, empuje la palanca de liberación desde el lado A para levantar el lado B, después tire de la palanca de liberación desde el lado B como se muestra en la ilustración. La muela X-LOCK se libera y se puede retirar.

► **Fig.18:** 1. Palanca de liberación

## OPERACIÓN

**⚠ADVERTENCIA:** No deberá ser nunca necesario forzar la herramienta. El peso de la herramienta aplica la presión adecuada. El forzamiento y la presión excesiva pueden ocasionar una peligrosa rotura de la muela.

**⚠ADVERTENCIA:** Reemplace la muela SIEMPRE si deja caer la herramienta mientras esmerila.

**⚠ADVERTENCIA:** No lance ni golpee NUNCA la muela contra una pieza de trabajo.

**⚠ADVERTENCIA:** Evite los rebotes y enganches de la muela, especialmente cuando trabaje en esquinas, bordes cortantes, etc. Esto puede ocasionar la pérdida del control y retrocesos bruscos.

**⚠ADVERTENCIA:** No utilice NUNCA esta herramienta con discos para cortar madera y otros discos de sierra. Los discos de ese tipo cuando se utilizan en una esmeriladora con frecuencia ocasionan retrocesos bruscos y pérdida del control que acarrearán heridas personales.

**⚠ADVERTENCIA:** No accione nunca la palanca de liberación del soporte X-LOCK durante la operación. La muela X-LOCK se soltará de la herramienta y podrá ocasionar heridas graves.

**⚠ADVERTENCIA:** Asegúrese de que la muela X-LOCK está sujeta firmemente.

**⚠PRECAUCIÓN:** No encienda nunca la herramienta cuando esta está en contacto con la pieza de trabajo, podría ocasionar heridas al operario.

**⚠PRECAUCIÓN:** Póngase siempre gafas de protección o máscara facial durante la operación.

**⚠PRECAUCIÓN:** Después de la operación, apague siempre la herramienta y espere hasta que la muela se haya parado completamente antes de dejar la herramienta.

**⚠PRECAUCIÓN:** Sujete SIEMPRE la herramienta firmemente con una mano en la carcasa y la otra en la empuñadura lateral (mango).

## Operación de esmerilar y lijar

► **Fig.19**

Encienda la herramienta y después aplique la muela o el disco a la pieza de trabajo.  
En general, mantenga el borde de la muela o disco a un ángulo de unos 15° con la superficie de la pieza de trabajo. Durante el periodo de uso inicial de una muela nueva, no trabaje con la esmeriladora en dirección hacia adelante porque podrá cortar la pieza de trabajo. Una vez que el borde de la muela se haya redondeado con el uso, se podrá trabajar con la muela en las direcciones hacia adelante y hacia atrás.

## Operación con muela de corte abrasivo / muela de diamante

*Accesorios opcionales*

**⚠ADVERTENCIA:** No “atasque” la muela o aplique presión excesiva. No intente hacer un corte de excesiva profundidad. Si fatiga en exceso la muela aumentará la carga y la susceptibilidad de retorcer o doblar la muela en el corte y la posibilidad de que se produzca un retroceso brusco, rotura de la muela y recalentamiento del motor.

**⚠ADVERTENCIA:** No comience la operación de corte en la pieza de trabajo. Deje que la muela alcance plena velocidad y entre con cuidado en el corte moviendo la herramienta hacia adelante sobre la superficie de la pieza de trabajo. Si pone en marcha la herramienta eléctrica en la pieza de trabajo, la muela podrá estancarse, saltar o retroceder bruscamente.

**⚠ADVERTENCIA:** Durante las operaciones de corte, no cambie nunca el ángulo de la muela. La aplicación de presión lateral en la muela de corte (al igual que en el esmerilado) hará que la muela se agriete y se rompa, ocasionando graves heridas personales.

**⚠ADVERTENCIA:** Una muela de diamante deberá ser utilizada perpendicularmente al material que se esté cortando.

Ejemplos de utilización: operación con muela de corte abrasivo

► **Fig.20**

Ejemplo de utilización: operación con muela de diamante

► **Fig.21**

## Operación con cepillo de alambres en copa

### Accesorios opcionales

**PRECAUCIÓN:** Compruebe la operación del cepillo haciendo funcionar la herramienta sin carga, asegurándose de que no haya nadie enfrente ni en línea con el cepillo.

**AVISO:** Evite aplicar presión excesiva que haga doblar demasiado los alambres cuando utilice el cepillo de alambres en copa. Podrá acarrear una rotura prematura.

Ejemplo de utilización: operación con el cepillo de alambres en copa

► Fig.22

## Operación con cepillo circular de alambres

### Accesorios opcionales

**PRECAUCIÓN:** Compruebe la operación del cepillo circular de alambres haciendo funcionar la herramienta sin carga, asegurándose de que no haya nadie enfrente ni en línea con el cepillo circular de alambres.

**AVISO:** Evite aplicar presión excesiva que haga doblar demasiado los alambres cuando utilice el cepillo circular de alambres. Podrá acarrear una rotura prematura.

Ejemplo de utilización: operación con el cepillo circular de alambre

► Fig.23

## ACCESORIOS OPCIONALES

**PRECAUCIÓN:** Estos accesorios o aditamentos están recomendados para su uso con la herramienta Makita especificada en este manual. El uso de cualquier otro accesorio o aditamento puede suponer un riesgo de heridas personales. Utilice el accesorio o aditamento solamente con la finalidad indicada para el mismo.

Si necesita cualquier ayuda para más detalles en relación con estos accesorios, pregunte al centro de servicio Makita local.

- Batería y cargador genuinos de Makita

► Fig.26

1	Empuñadura de 36
2	Protector de muela (para muela de esmerilar)
3	Muela de centro hundido / disco flap
4	Protector de muela (para muela de corte) *1
5	Muela de corte abrasivo / muela de diamante
6	Cepillo circular de alambres
7	Cepillo de alambres en copa

**NOTA:** \*1 En algunos países europeos, cuando utilice una muela de diamante, podrá utilizar el protector ordinario en lugar del protector especial que cubre ambos lados de la muela. Siga los reglamentos de su país.

**NOTA:** Algunos elementos de la lista podrán estar incluidos en el paquete de la herramienta como accesorios estándar. Pueden variar de un país a otro.

## MANTENIMIENTO

**PRECAUCIÓN:** Asegúrese siempre de que la herramienta está apagada y de que el cartucho de batería está retirado antes de intentar hacer una inspección o mantenimiento.

**AVISO:** No utilice nunca gasolina, bencina, disolvente, alcohol o similares. Podría producir descoloración, deformación o grietas.

Para conservar la SEGURIDAD y la FIABILIDAD del producto, las reparaciones, el mantenimiento y los ajustes deben ser realizados por los centros de servicio autorizados por Makita y siempre con las piezas de repuesto de Makita.

## Limpieza de las aberturas de ventilación

La herramienta y sus aberturas de ventilación han de mantenerse limpias. Limpie las aberturas de ventilación de la herramienta regularmente o siempre que comiencen a estar obstruidas.

► Fig.24: 1. Abertura de salida de aire 2. Abertura de entrada de aire

Retire el guardapolvo de la abertura de entrada de aire y límpielo para que el aire circule con suavidad.

► Fig.25: 1. Guardapolvo

**AVISO:** Limpie el guardapolvo cuando esté obturado con polvo o materias extrañas. Si continúa la operación con un guardapolvo obturado puede dañar la herramienta.

## ESPECIFICAÇÕES

Modelo:	DGA521
Diâmetro da roda	125 mm (5")
Espessura máxima da roda	6 mm
Velocidade nominal (n)	8.500 min <sup>-1</sup>
Comprimento total	375 mm
Tensão nominal	CC 18 V
Peso líquido	2,4 - 3,0 kg

- Devido a um programa contínuo de pesquisa e desenvolvimento, estas especificações estão sujeitas a alteração sem aviso prévio.
- As especificações podem variar de país para país.
- O peso poderá diferir em função do acessório(s), incluindo a bateria. A combinação mais leve e mais pesada, de acordo com o Procedimento EPTA 01/2014, é apresentada na tabela.

### Bateria e carregador aplicável

Bateria	BL1815N / BL1820B / BL1830B / BL1840B / BL1850B / BL1860B
Carregador	DC18RC / DC18RD / DC18RE / DC18SD / DC18SE / DC18SF / DC18SH

- Algumas das baterias e carregadores listados acima poderão não estar disponíveis, dependendo da sua região de residência.

**AVISO:** Utilize apenas as baterias e carregadores listados acima. A utilização de quaisquer outras baterias e carregadores pode causar ferimentos e/ou um incêndio.

### Fonte de alimentação ligada por fio recomendada

Adaptador de baterias tipo mochila	PDC01
------------------------------------	-------

- A(s) fonte(s) de alimentação ligada(s) por fio listada(s) acima pode(m) não estar disponível(eis) dependendo da sua região de residência.
- Antes de utilizar a fonte de alimentação ligada por fio, leia as instruções e etiquetas de precaução na mesma.

### Utilização a que se destina

A ferramenta serve para esmerilar, lixar, escovar com escova de arame e cortar materiais em metal e pedra sem utilizar água.

### Ruído

A característica do nível de ruído A determinado de acordo com a EN60745-2-3:

Nível de pressão acústica ( $L_{pA}$ ): 80 dB (A)

Variabilidade (K): 3 dB (A)

O nível de ruído durante o funcionamento pode exceder 80 dB (A).

**NOTA:** O(s) valor(es) da emissão de ruído indicado(s) foi medido de acordo com um método de teste padrão e pode ser utilizado para comparar duas ferramentas.

**NOTA:** O(s) valor(es) da emissão de ruído indicado(s) pode também ser utilizado na avaliação preliminar da exposição.

**AVISO:** Utilize protetores auriculares.

**AVISO:** A emissão de ruído durante a utilização real da ferramenta elétrica pode diferir do(s) valor(es) indicado(s), dependendo das formas como a ferramenta é utilizada, especialmente o tipo de peça de trabalho que é processada.

**AVISO:** Certifique-se de identificar as medidas de segurança para proteção do operador que sejam baseadas em uma estimativa de exposição em condições reais de utilização (considerando todas as partes do ciclo de operação, tal como quando a ferramenta está desligada e quando está a funcionar em marcha lenta além do tempo de acionamento).

### Vibração

Valor total da vibração (soma vetorial tri-axial) determinado de acordo com a EN60745-2-3:

Modo de trabalho: esmerilagem de superfície com punho lateral normal

Emissão de vibração ( $a_{h,AG}$ ): 5,0 m/s<sup>2</sup>

Variabilidade (K): 1,5 m/s<sup>2</sup>

Modo de trabalho: esmerilagem de superfície com punho lateral antivibração

Emissão de vibração ( $a_{h,AG}$ ): 6,5 m/s<sup>2</sup>

Variabilidade (K): 1,5 m/s<sup>2</sup>



Modo de trabalho: lixagem de disco com punho lateral normal

Emissão de vibração ( $a_{h,AG}$ ): 2,5 m/s<sup>2</sup> ou menos

Variabilidade (K): 1,5 m/s<sup>2</sup>

Modo de trabalho: lixagem de disco com punho lateral antivibração

Emissão de vibração ( $a_{h,AG}$ ): 2,5 m/s<sup>2</sup> ou menos

Variabilidade (K): 1,5 m/s<sup>2</sup>

**NOTA:** O(s) valor(es) total(ais) de vibração indicado(s) foi medido de acordo com um método de teste padrão e pode ser utilizado para comparar duas ferramentas.

**NOTA:** O(s) valor(es) total(ais) de vibração indicado(s) pode também ser utilizado na avaliação preliminar da exposição.

**⚠️ AVISO:** A emissão de vibração durante a utilização real da ferramenta elétrica pode diferir do(s) valor(es) indicado(s), dependendo das formas como a ferramenta é utilizada, especialmente o tipo de peça de trabalho que é processada.

**⚠️ AVISO:** Certifique-se de identificar as medidas de segurança para proteção do operador que sejam baseadas em uma estimativa de exposição em condições reais de utilização (considerando todas as partes do ciclo de operação, tal como quando a ferramenta está desligada e quando está a funcionar em marcha lenta além do tempo de acionamento).

**⚠️ AVISO:** O valor de emissão de vibração declarado é utilizado para aplicações principais da ferramenta elétrica. No entanto, se a ferramenta elétrica for utilizada para outras aplicações, o valor da emissão da vibração pode ser diferente.

## Declaração de conformidade da CE

### Apenas para os países europeus

A declaração de conformidade da CE está incluída como Anexo A neste manual de instruções.

## AVISOS DE SEGURANÇA

### Avisos gerais de segurança para ferramentas elétricas

**⚠️ AVISO:** Leia todos os avisos de segurança, instruções, ilustrações e especificações fornecidos com esta ferramenta elétrica. O não cumprimento de todas as instruções indicadas em baixo pode resultar em choque elétrico, incêndio e/ou ferimentos graves.

### Guarde todos os avisos e instruções para futuras referências.

O termo "ferramenta elétrica" nos avisos refere-se às ferramentas elétricas ligadas à corrente elétrica (com cabo) ou às ferramentas elétricas operadas por meio de bateria (sem cabo).

## Avisos de segurança da esmeriladora a bateria

**Avisos de segurança comuns para operações de esmerilagem, lixagem, escovagem com escova de arame ou corte abrasivo:**

- Esta ferramenta elétrica foi concebida para funcionar como ferramenta de esmerilar, lixar, escovar por meio de escova de arame ou corte. Leia todos os avisos de segurança, instruções, ilustrações e especificações fornecidos com esta ferramenta.** O não seguimento de todas as instruções que se seguem pode resultar em choque elétrico, incêndio e/ou ferimentos graves.
- Não é recomendável utilizar esta ferramenta elétrica para efetuar operações de polimento.** As operações diferentes daquelas para as quais a ferramenta foi projetada podem criar situações perigosas e provocar ferimentos ao operador.
- Não utilize acessórios que não tenham sido especificamente projetados e recomendados pelo fabricante da ferramenta.** O facto de poder instalar o acessório na ferramenta elétrica não garante um funcionamento com segurança.
- A velocidade nominal do acessório deve ser pelo menos igual à velocidade máxima indicada na ferramenta elétrica.** Os acessórios que funcionam em velocidade mais alta do que a velocidade nominal podem partir e estilhaçar.
- O diâmetro externo e a espessura do acessório devem estar dentro da capacidade nominal da ferramenta elétrica.** Não é possível resguardar ou controlar adequadamente os acessórios de tamanho incorreto.
- A montagem roscada dos acessórios tem de corresponder à rosca do eixo da esmeriladora. Em relação aos acessórios montados por flanges, o orifício do veio do acessório deve encaixar no diâmetro guia da flange.** Os acessórios que não correspondem ao hardware de instalação da ferramenta elétrica ficam desequilibrados, vibram excessivamente e podem provocar perda de controlo.
- Não utilize acessórios danificados.** Antes de cada utilização, inspecione o acessório, tal como as rodas abrasivas, para ver se tem falhas ou rachas, a base protetora para ver se tem falhas, rasgões ou desgaste excessivo e a escova de arame para ver se tem arames soltos ou rachados. Se a ferramenta elétrica ou o acessório cair, verifique se há danos ou instale um acessório em boas condições. Após inspecionar e instalar um acessório, certifique-se de que os espetadores bem como você mesmo estão afastados do nível do acessório rotativo, e utilize a ferramenta elétrica à velocidade máxima em vazio durante um minuto. Geralmente, os acessórios danificados partem-se durante este ensaio.

8. **Utilize equipamento de proteção pessoal. Dependendo da aplicação, utilize um protetor facial, óculos de segurança ou de proteção. Conforme adequado, utilize uma máscara contra o pó, protetores auriculares, luvas e avental capazes de resguardar contra pequenos estilhaços ou abrasivos da peça de trabalho.** Os protetores oculares devem ter capacidade para resguardar contra fragmentos volantes gerados por diversas operações. A máscara contra o pó ou de respiração deve ter capacidade de filtrar partículas geradas pela operação. A exposição prolongada a ruídos de alta intensidade pode provocar perda de audição.
9. **Mantenha os espetadores a uma distância segura da área de trabalho. Todas as pessoas que entram na área de trabalho devem utilizar equipamento de proteção pessoal.** Os estilhaços da peça de trabalho ou de um acessório partido podem ser arremessados e provocar ferimentos além da área imediata de operação.
10. **Agarre na ferramenta elétrica apenas pelas superfícies isoladas preparadas para esse fim quando executar uma operação em que a ferramenta de corte possa entrar em contacto com cablagem escondida.** O contacto com um fio "sob tensão" também fará com que as partes de metal expostas da ferramenta elétrica fiquem "sob tensão", provocando um choque elétrico ao operador.
11. **Nunca pouse a ferramenta elétrica antes de o acessório parar completamente.** O acessório rotativo pode enganchar na superfície e descontrolar a ferramenta.
12. **Não utilize a ferramenta elétrica enquanto a carrega ao seu lado.** O contacto acidental com o acessório rotativo pode prender as suas roupas, puxando o acessório na direção do seu corpo.
13. **Limpe regularmente os orifícios de ventilação da ferramenta elétrica.** A ventoinha do motor aspira o pó para dentro da caixa e a acumulação excessiva de metal pulverizado pode provocar perigos elétricos.
14. **Não utilize a ferramenta elétrica próximo de materiais inflamáveis.** As faíscas podem incendiar estes materiais.
15. **Não utilize acessórios que requerem refrigerantes líquidos.** A utilização de água ou outros refrigerantes líquidos pode resultar em choque ou eletrocussão.

#### **Avisos sobre recuos e outras relacionadas**

O recuo é uma reação repentina a uma roda rotativa, uma base protetora, uma escova ou qualquer outro acessório preso ou emperrado. O bloqueio ou obstáculo provoca a paragem imediata do acessório rotativo que, por sua vez, faz com que a ferramenta elétrica descontrolada seja forçada a ir na direção oposta à da rotação do acessório, no ponto onde ficou presa. Se a roda abrasiva ficar presa ou enroscada na peça de trabalho, por exemplo, a borda da roda que está a entrar no ponto onde prendeu, pode entrar ainda mais fundo na superfície do material fazendo com que a roda salte ou provoque um recuo. A roda pode saltar na direção do operador ou na direção oposta, dependendo do sentido do movimento da roda no ponto em que ficou presa. As rodas abrasivas também podem partir nessas condições.

O recuo é o resultado da utilização imprópria da ferramenta elétrica e/ou das condições ou procedimentos de funcionamento incorretos e pode ser evitado tomando-se as medidas de precaução adequadas, como indicado abaixo.

1. **Segure firmemente a ferramenta elétrica e posicione o seu corpo e braço de tal forma que lhe permitam resistir às forças do recuo. Utilize sempre o punho auxiliar, se fornecido, para um controlo máximo do recuo ou da reação de binário durante o arranque.** O operador poderá controlar as reações de binário ou as forças do recuo se tomar as precauções necessárias.
2. **Nunca coloque as mãos perto do acessório rotativo.** O acessório pode recuar sobre a sua mão.
3. **Não posicione o seu corpo na área em que a ferramenta elétrica será lançada, caso ocorra um recuo.** O recuo lança a ferramenta na direção oposta ao movimento da roda no ponto onde prende.
4. **Tenha cuidado quando trabalhar em cantos, arestas cortantes, etc. Evite balançar e prender o acessório.** Os cantos, as arestas cortantes ou as batidas tendem a prender o acessório rotativo e causar perda de controlo ou recuo.
5. **Não instale uma corrente de serra, uma lâmina para esculpir madeira nem uma lâmina de serra dentada.** Essas lâminas criam recuos frequentes e perda de controlo.

#### **Avisos de segurança específicas para operações de esmerilar e corte abrasivo:**

1. **Utilize apenas os tipos de rodas recomendadas para a sua ferramenta elétrica e o resguardo específico designado para a roda selecionada.** As rodas incompatíveis com a ferramenta elétrica são impossíveis de resguardar adequadamente e não são seguras.
2. **A superfície de esmerilação das rodas com centro rebaixado deve estar montada abaixo do plano do bordo de resguardo.** Uma roda montada incorretamente que sobressai através do plano do bordo de resguardo não pode ser devidamente protegida.
3. **O resguardo deve ser instalado firmemente na ferramenta elétrica e posicionado para máxima segurança, de forma que o mínimo da roda fique exposta na direção do operador.** O resguardo ajuda a proteger o operador contra fragmentos partidos da roda, contacto acidental com a roda e faíscas que podem incendiar as roupas.
4. **As rodas devem ser utilizadas apenas para as aplicações recomendadas. Por exemplo: não esmerilar com a lateral da roda de corte.** Como as rodas de corte abrasivas foram concebidas para a esmerilação periférica, as forças laterais aplicadas a estas rodas pode fazer com que estilhaquem.
5. **Utilize sempre flanges da roda em boas condições, e que sejam do tamanho e formato corretos para a roda selecionada.** As flanges apropriadas suportam a roda reduzindo, assim, a possibilidade de quebra da roda. As flanges para as rodas de corte podem ser diferentes das flanges para as rodas de esmerilagem.

6. **Não utilize rodas desgastadas de ferramentas elétricas maiores.** As rodas projetadas para ferramentas elétricas maiores não são apropriadas para a velocidade mais elevada de uma ferramenta menor e podem rebentar.

**Avisos de segurança adicionais específicos para as operações de corte abrasivo:**

1. **Não “encrave” a roda de corte nem aplique pressão excessiva. Não tente efetuar um corte demasiadamente profundo.** Sujeitar a roda a esforço excessivo aumenta a carga e a suscetibilidade de torção ou emperramento a roda dentro do corte e a possibilidade de recuo ou quebra da roda.
2. **Não posicione o corpo em linha nem atrás da roda rotativa.** Quando, durante a operação, a roda se move para longe de si, o possível recuo pode empurrar a roda em rotação e a ferramenta elétrica diretamente contra si.
3. **Se a roda ficar presa ou quando interromper o corte por qualquer motivo, desligue a ferramenta elétrica e segure-a parada até que a roda pare completamente. Nunca tente retirar a roda de dentro do corte com a roda em movimento, caso contrário, pode ocorrer um recuo.** Verifique e tome as medidas corretivas para eliminar a causa do emperramento da roda.
4. **Não reinicie a operação de corte na peça de trabalho. Aguarde até que a roda atinja a velocidade máxima e volte a colocá-la novamente e cuidadosamente no corte.** A roda pode emperrar, subir ou originar um recuo se ligar a ferramenta elétrica na peça de trabalho.
5. **Suporte os painéis ou as peças de trabalho muito grandes para minimizar o risco da roda prender e originar recuo.** As peças de trabalho grandes tendem a ceder sob o próprio peso. Os suportes têm de ser colocados debaixo da peça de trabalho, perto da linha de corte e da borda da peça de trabalho, nos dois lados da roda.
6. **Tenha cuidado especialmente quando fizer um corte de perfuração em paredes existentes ou outras zonas invisíveis.** A roda exposta pode cortar canos de gás ou de água, fios elétricos ou outros objetos que podem originar um recuo.

**Avisos de segurança específicos para as operações de lixamento:**

1. **Não utilize uma lixa de papel grande demais. Siga as recomendações do fabricante quando escolher a lixa de papel.** As lixas de papel maiores, que se estendem além da base de lixamento, apresentam perigo de laceração e podem prender, rasgar o disco ou provocar recuo.

**Avisos de segurança específicos para as operações com a escova de arame:**

1. **Lembre-se que a escova lança filamentos de metal, mesmo durante uma operação normal. Não sujeite os filamentos de metal a esforço excessivo aplicando uma carga excessiva na escova.** Os filamentos de metal podem penetrar facilmente nas roupas finas e/ou na pele.
2. **Se for recomendada a utilização de um resguardo para operação com a escova de arame, não permita quaisquer interferências da roda ou da escova metálicas com o resguardo.** A roda ou a escova metálicas podem expandir em diâmetro devido à carga de trabalho e às forças centrifugas.

**Avisos de segurança adicionais:**

1. **Quando utilizar rodas de esmerilar com centro rebaixado, utilize apenas rodas reforçadas com fibra de vidro.**
2. **NUNCA UTILIZE rodas do tipo copo de pedra com esta esmeriladora.** A esmeriladora não foi concebida para esses tipos de rodas e a utilização deste produto pode resultar em ferimentos pessoais graves.
3. **Tenha cuidado para não danificar o suporte X-LOCK. Os danos nas peças podem resultar na quebra da roda.**
4. **Antes de ligar o interruptor, certifique-se de que a roda não está em contacto com a peça de trabalho.**
5. **Antes de utilizar a ferramenta numa peça de trabalho, deixe-a funcionar por alguns instantes. Verifique se há vibrações ou movimentos irregulares que possam indicar má instalação ou desequilíbrio da roda.**
6. **Utilize a superfície específica da roda para esmerilar.**
7. **Não deixe a ferramenta a funcionar. Opere a ferramenta apenas quando estiver a segurá-la na mão.**
8. **Não toque na peça de trabalho imediatamente após a operação. Pode estar extremamente quente e provocar queimaduras na sua pele.**
9. **Não toque nos acessórios imediatamente após a operação. Podem estar extremamente quentes e provocar queimaduras na sua pele.**
10. **Tenha em conta as instruções do fabricante para a montagem e utilização corretas das rodas. Manuseie e armazene as rodas com cuidado.**
11. **Não utilize buchas de redução ou adaptadores separados para adaptar rodas abrasivas de orifício grande.**
12. **Verifique se a peça de trabalho está corretamente suportada.**
13. **Preste atenção, pois a roda continua a rodar depois de desligar a ferramenta.**
14. **Se o local de trabalho for extremamente quente e húmido, ou muito poluído por pó condutor, utilize um disjuntor (30 mA) para assegurar a segurança do operador.**
15. **Não utilize a ferramenta em nenhum material que contenha amianto.**
16. **Quando utilizar a roda de corte, trabalhe sempre com o resguardo da roda para recolha do pó como exigido pelas regulações nacionais.**
17. **Os discos de corte não podem ser sujeitos a pressão lateral.**
18. **Não utilize luvas de trabalho de pano durante a operação.** As fibras do tecido podem entrar na ferramenta e provocar a quebra da ferramenta.
19. **Antes da operação, certifique-se de que não existem objetos enterrados tais como um tubo elétrico, tubo de água ou tubo de gás na peça de trabalho.** Caso contrário, pode causar um choque elétrico, uma fuga elétrica ou uma fuga de gás.

**GUARDE ESTAS INSTRUÇÕES.**

**⚠️ AVISO:** NÃO permita que o conforto ou familiaridade com o produto (adquirido com o uso repetido) substitua o cumprimento estrito das regras de segurança da ferramenta. A MÁ INTERPRETAÇÃO ou o não seguimento das regras de segurança estabelecidas neste manual de instruções pode provocar ferimentos pessoais graves.

## Instruções de segurança importantes para a bateria

1. Antes de utilizar a bateria, leia todas as instruções e etiquetas de precaução no (1) carregador de bateria (2) bateria e (3) produto que utiliza a bateria.
2. Não desmonte ou manipule a bateria. Pode resultar num incêndio, em calor excessivo ou numa explosão.
3. Se o tempo de funcionamento se tornar excessivamente curto, pare o funcionamento imediatamente. Pode resultar em sobreaquecimento, possíveis queimaduras e mesmo explosão.
4. Se entrar eletrólito nos seus olhos, lave-os com água e consulte imediatamente um médico. Pode resultar em perda de visão.
5. Não coloque a bateria em curto-circuito:
  - (1) Não toque nos terminais com qualquer material condutor.
  - (2) Evite guardar a bateria juntamente com outros objetos metálicos tais como pregos, moedas, etc.
  - (3) Não exponha a bateria à água ou chuva. Um curto-circuito pode ocasionar um enorme fluxo de corrente, sobreaquecimento, possíveis queimaduras e mesmo estragar-se.
6. Não guarde nem utilize a ferramenta e a bateria em locais onde a temperatura pode atingir ou exceder 50 °C.
7. Não queime a bateria mesmo que esteja estragada ou completamente gasta. A bateria pode explodir no fogo.
8. Não pree, corte, esmague, atire, deixe cair a bateria, nem bata a bateria contra um objeto rijo. Esta conduta pode resultar num incêndio, em calor excessivo ou numa explosão.
9. Não utilize uma bateria danificada.
10. As baterias de íões de lítio contidas na ferramenta são sujeitas aos requisitos da DGL (Dangerous Goods Legislation - Legislação de bens perigosos).

Para o transporte comercial, por exemplo, por terceiros ou agentes de expedição, têm de ser observados os requisitos referentes à embalagem e etiquetagem.

Para preparação do artigo a ser expedido, é necessário consultar um perito em materiais perigosos. Tenha ainda em conta a possibilidade de existirem regulamentos nacionais mais detalhados.

Coloque fita-cola ou tape os contactos abertos e embale a bateria de tal forma que não possa mover-se dentro da embalagem.

11. Quando eliminar a bateria, remova-a da ferramenta e elimine-a num local seguro. Siga os regulamentos locais relacionados com a eliminação de baterias.
12. Utilize as baterias apenas com os produtos especificados pela Makita. Instalar as baterias em produtos não-conformes poderá resultar num incêndio, calor excessivo, explosão ou fuga de eletrólito.
13. Se a ferramenta não for utilizada durante um período de tempo prolongado, a bateria deve ser removida da ferramenta.
14. Durante e após a utilização, a bateria pode aquecer, o que pode provocar queimaduras ou queimaduras a baixa temperatura. Preste atenção ao manuseamento de baterias quentes.
15. Não toque no terminal da ferramenta imediatamente após a utilização, pois pode ficar suficientemente quente para provocar queimaduras.
16. Não permita a adesão de aparas, pó ou sujidade nos terminais, nos orifícios e nas ranhuras da bateria. Pode resultar no fraco desempenho ou na avaria da ferramenta ou bateria.
17. A menos que a ferramenta suporte a utilização perto de linhas elétricas de alta tensão, não utilize a bateria perto de linhas elétricas de alta tensão. Pode resultar no mau funcionamento ou na avaria da ferramenta ou bateria.
18. Mantenha a bateria afastada das crianças.

## GUARDE ESTAS INSTRUÇÕES.

**⚠️ PRECAUÇÃO:** Utilize apenas baterias genuínas da Makita. A utilização de baterias não genuínas da Makita ou de baterias que foram alteradas, pode resultar no rebentamento da bateria provocando incêndios, ferimentos pessoais e danos. Além disso, anulará da garantia da Makita no que se refere à ferramenta e ao carregador Makita.

## Conselhos para manter a máxima vida útil da bateria

1. Carregue a bateria antes que esteja completamente descarregada. Pare sempre o funcionamento da ferramenta e carregue a bateria quando notar menos poder na ferramenta.
2. Nunca carregue uma bateria completamente carregada. Carregamento excessivo diminui a vida útil da bateria.
3. Carregue a bateria à temperatura ambiente de 10 °C – 40 °C. Deixe que uma bateria quente arrefeça antes de a carregar.
4. Quando não utilizar a bateria, remova-a da ferramenta ou do carregador.
5. Carregue a bateria se não a utilizar durante um longo período de tempo (mais de seis meses).

# DESCRIÇÃO FUNCIONAL

**⚠️ PRECAUÇÃO:** Certifique-se sempre de que a ferramenta está desligada e a bateria foi retirada antes de regular ou verificar qualquer função na ferramenta.

## Instalação ou remoção da bateria

**⚠️ PRECAUÇÃO:** Desligue sempre a ferramenta antes de colocar ou retirar a bateria.

**⚠️ PRECAUÇÃO:** Segure firmemente a ferramenta e a bateria quando instalar ou remover a bateria. Se não segurar firmemente a ferramenta e a bateria pode fazer com que escorreguem das suas mãos resultando em danos na ferramenta e na bateria e ferimentos pessoais.

► Fig.1: 1. Indicador vermelho 2. Botão 3. Bateria

Para retirar a bateria, deslize-a para fora da ferramenta enquanto desliza o botão na frente da bateria.

Para instalar a bateria, alinhe a lingueta na bateria com a ranhura na caixa e deslize-a para a posição correta. Insira-a por completo até bloquear na posição correta com um pequeno clique. Se conseguir ver o indicador vermelho conforme apresentado na figura, não está completamente bloqueada.

**⚠️ PRECAUÇÃO:** Instale sempre a bateria até ao fim, até deixar de ver o indicador vermelho. Caso contrário, a bateria poderá cair da ferramenta acidentalmente e provocar ferimentos em si mesmo ou em alguém próximo.

**⚠️ PRECAUÇÃO:** Não instale a bateria à força. Se a bateria não deslizar facilmente é porque não foi colocada corretamente.

## Indicação da capacidade restante da bateria

*Apenas para baterias com indicador*

► Fig.2: 1. Luzes indicadoras 2. Botão de verificação

Prima o botão de verificação na bateria para indicar a capacidade restante da bateria. As luzes indicadoras acendem durante alguns segundos.

Luzes indicadoras			Capacidade restante
Aceso	Apagado	A piscar	
■	□	◐	75% a 100%
■ ■ ■ ■			
■	□	◐	50% a 75%
■ ■ ■ □			
■	□	◐	25% a 50%
■ ■ □ □			
■	□	◐	0% a 25%
■ □ □ □			
◐	□	◐	Carregar a bateria.
◐ □ □ □			
■	□	◐	A bateria pode estar avariada.
■ ■ □ □	↑ ↓	■ ■	

**NOTA:** Dependendo das condições de utilização e da temperatura ambiente, a indicação pode ser ligeiramente diferente da capacidade real.

**NOTA:** A primeira luz indicadora (extremo esquerdo) pisca quando o sistema de proteção da bateria funciona.

## Indicação da capacidade restante da bateria

Quando liga a ferramenta, o indicador da bateria mostra a capacidade restante da bateria.

► Fig.3: 1. Indicador da bateria

A capacidade restante da bateria é apresentada como indicado na tabela seguinte.

Estado dos indicadores da bateria			Capacidade restante da bateria
Aceso	Apagado	A piscar	
■	□	◐	50% a 100%
■ ■ ■ ■			
■	□	◐	20% a 50%
■ ■ ■ □			
■	□	◐	0% a 20%
■ ■ □ □			
◐	□	◐	Carregar a bateria
◐ □ □ □			

## Sistema de proteção da ferramenta/bateria

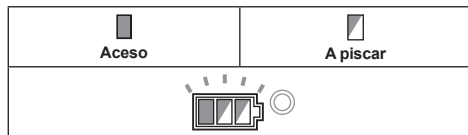
A ferramenta está equipada com um sistema de proteção da ferramenta/bateria. Este sistema corta automaticamente a corrente para o motor para aumentar a vida da ferramenta e da bateria. A ferramenta para automaticamente durante o funcionamento se a ferramenta ou bateria for colocada mediante uma das seguintes condições:

### Proteção contra sobrecarga

Quando a ferramenta/bateria é operada de forma que puxe uma corrente anormalmente elevada, a ferramenta para automaticamente sem qualquer indicação. Nesta situação, desligue a ferramenta e pare a aplicação que causou a sobrecarga da ferramenta. Em seguida, ligue a ferramenta para reiniciar.

## Proteção contra sobreaquecimento

Quando a ferramenta está sobreaquecida, a ferramenta para automaticamente e o indicador da bateria apresenta o seguinte estado. Nesse caso, aguarde até a ferramenta arrefecer antes de ligar outra vez.



Se a ferramenta não reiniciar, a bateria pode estar sobreaquecida. Nesse caso, aguarde até a bateria arrefecer antes de ligar a ferramenta outra vez.

## Proteção contra descarga excessiva

Quando a capacidade da bateria não é suficiente, a ferramenta para automaticamente. Neste caso, retire a bateria da ferramenta e carregue-a.

## Soltar o bloqueio de proteção

Quando o sistema de proteção funciona repetidamente, a ferramenta é bloqueada e o indicador da bateria apresenta o seguinte estado.

Nesta situação, a ferramenta não começa a funcionar mesmo que desligue e ligue a ferramenta. Para soltar o bloqueio de proteção, retire a bateria, coloque-a no carregador da bateria e aguarde até o carregamento terminar.



## Ação do interruptor

**⚠️ PRECAUÇÃO:** Antes de instalar a bateria na ferramenta, verifique sempre se o interruptor deslizante funciona corretamente e regressa à posição de desligado quando se carrega na parte de trás do interruptor deslizante.

**⚠️ PRECAUÇÃO:** O interruptor pode ser bloqueado na posição de ligado para maior conforto do operador durante a utilização prolongada. Tenha cuidado ao bloquear a ferramenta na posição de ligada e segure-a com firmeza.

Para arrancar a ferramenta, empurre a extremidade traseira do interruptor deslizante para baixo e, depois, deslize-o para a posição "I (LIGADO)". Para um funcionamento contínuo, empurre a extremidade dianteira do interruptor deslizante para baixo para o bloquear.

► Fig.4: 1. Interruptor deslizante

Para parar a ferramenta, empurre a extremidade traseira do interruptor deslizante para baixo para que volte para a posição "O (DESLIGADO)".

► Fig.5: 1. Interruptor deslizante

## Função de mudança de velocidade automática

► Fig.6: 1. Indicador de modo

Estado do indicador de modo	Modo de funcionamento
	Modo de alta velocidade
	Modo de binário elevado

Esta ferramenta tem um "modo de alta velocidade" e um "modo de binário elevado". Muda automaticamente o modo de operação dependendo da carga de trabalho. Quando o indicador de modo acende durante a operação, a ferramenta está em modo de binário elevado.

## Função de prevenção de reinício acidental

Quando instala a bateria enquanto o interruptor deslizante está na posição "I" (ligado), a ferramenta não começa a trabalhar.

Para a ferramenta começar a trabalhar, primeiro deslize o interruptor deslizante em direção à posição "O" (desligado) e depois deslize-o em direção à posição "I" (ligado).

## Tecnologia de detecção retorno ativa

A ferramenta deteta eletronicamente as situações em que a roda ou acessório possam estar em risco de dobrar. Quando está nessa situação, a ferramenta desliga-se automaticamente para impedir que o eixo gire mais (não impede o ressalto).

Para reiniciar a ferramenta, primeiro desligue-a, remova a causa da queda brusca na velocidade de rotação e volte a ligar a ferramenta.

## Funcionalidade de arranque suave

A funcionalidade de arranque suave reduz a reação de arranque.

## MONTAGEM

**⚠️ PRECAUÇÃO:** Certifique-se sempre de que a ferramenta está desligada e a bateria foi retirada antes de regular ou verificar qualquer função na ferramenta.

## Instalação do punho lateral (pega)

**⚠️ PRECAUÇÃO:** Certifique-se sempre de que o punho lateral está instalado em segurança antes da operação.

Aparafuse o punho lateral firmemente na posição da ferramenta indicada na figura.

► Fig.7

## Instalar ou remover o resguardo da roda

**AVISO:** Quando utilizar uma roda com centro rebaixado, um disco de aba ou uma escova de arame tipo roda, o resguardo da roda tem de estar instalado na ferramenta para que o lado fechado do resguardo aponte sempre em direção ao operador.

**AVISO:** Certifique-se de que o resguardo da roda está firmemente bloqueado pela alavanca de bloqueio com um dos orifícios no resguardo da roda.

**AVISO:** Quando utilizar uma roda de corte abrasiva / roda diamantada, certifique-se que utiliza apenas o resguardo da roda especialmente projetada para utilização com as rodas de corte.

(Em alguns países europeus, pode-se utilizar um resguardo comum quando se utilizam rodas diamantadas. Siga os regulamentos do seu país).

## Para roda com centro rebaixado, disco de aba, escova de arame tipo roda / roda de corte abrasiva, roda diamantada

1. Enquanto empurra a alavanca de bloqueio, monte o resguardo da roda com as saliências no resguardo da roda alinhadas com os entalhes na caixa dos rolamentos.

► **Fig.8:** 1. Alavanca de bloqueio 2. Entalhe 3. Protuberância

2. Enquanto empurra a alavanca de bloqueio na direção de A, empurre o resguardo da roda pressionando para baixo as partes B conforme apresentado na figura.

► **Fig.9:** 1. Resguardo da roda 2. Orifício

**NOTA:** Pressione o resguardo da roda a direito. Caso contrário, não consegue empurrar completamente o resguardo da roda.

3. Enquanto mantém a posição da alavanca de bloqueio e do resguardo da roda conforme descrito no passo 2, rode o resguardo da roda na direção de C e, em seguida, altere o ângulo do resguardo da roda de acordo com o trabalho.

► **Fig.10:** 1. Resguardo da roda 2. Orifício

**NOTA:** Empurre completamente o resguardo da roda. Caso contrário, não consegue rodar o resguardo da roda.

Para retirar o resguardo da roda, siga inversamente o processo de instalação.

## Quando utilizar uma roda com centro rebaixado ou um disco de aba

### Acessório opcional

**AVISO:** Quando utilizar uma roda com centro rebaixado ou um disco de aba, o resguardo da roda tem de estar instalado na ferramenta para que o lado fechado do resguardo aponte sempre em direção ao operador.

► **Fig.11:** 1. Roda com centro rebaixado 2. Resguardo da roda

## Quando utilizar uma roda de corte abrasiva / roda diamantada

### Acessório opcional

**AVISO:** Quando utilizar uma roda de corte abrasiva / roda diamantada, certifique-se que utiliza apenas o resguardo da roda especialmente projetada para utilização com as rodas de corte.

(Em alguns países europeus, pode-se utilizar um resguardo comum quando se utilizam rodas diamantadas. Siga os regulamentos do seu país).

**AVISO:** NUNCA utilize rodas de corte para a esmerilagem lateral.

► **Fig.12:** 1. Roda de corte abrasiva / roda diamantada 2. Resguardo da roda para rodas de corte abrasivas / rodas diamantadas

## Instalar a escova de arame tipo copo

### Acessório opcional

**PRECAUÇÃO:** Não utilize uma escova de arame tipo copo danificada nem desequilibrada. A utilização de uma escova danificada pode aumentar o risco de ferimentos decorrentes do contacto com arames da escova partidos.

► **Fig.13:** 1. Escova de arame tipo copo

## Instalar a escova de arame tipo roda

### Acessório opcional

**PRECAUÇÃO:** Não utilize uma escova de arame tipo roda danificada nem desequilibrada. A utilização de uma escova de arame tipo roda danificada pode aumentar o risco de ferimentos decorrentes do contacto com arames partidos.

**PRECAUÇÃO:** Utilize SEMPRE o resguardo com as escovas de arame tipo roda, garantindo que o diâmetro da roda encaixa dentro do resguardo. A roda pode partir-se durante a utilização e o resguardo ajuda a reduzir os riscos de ferimentos pessoais.

► **Fig.14:** 1. Escova de arame tipo roda 2. Resguardo da roda

## Instalar ou remover a roda X-LOCK

**⚠️ AVISO:** Nunca acione a alavanca de liberação do suporte X-LOCK durante a operação. Certifique-se de que a roda X-LOCK parou completamente quando a remover. Caso contrário, a roda X-LOCK desprende-se da ferramenta e pode causar ferimentos graves.

**⚠️ PRECAUÇÃO:** Utilize apenas rodas X-LOCK originais com o logótipo X-LOCK. Esta ferramenta destina-se à X-LOCK.

O calibre máximo de fixação de 1,6 mm apenas pode ser garantido com rodas X-LOCK originais.

A utilização de outras rodas poderá levar a uma fixação precária e fazer com que a ferramenta de aperto se solte.

**⚠️ PRECAUÇÃO:** Não toque na roda X-LOCK imediatamente após a operação. Pode estar extremamente quente e pode causar queimaduras na pele.

**⚠️ PRECAUÇÃO:** Certifique-se de que a roda X-LOCK e o suporte da ferramenta não estão deformados e estão isentos de pó ou materiais estranhos.

**⚠️ PRECAUÇÃO:** Não coloque os dedos próximo do suporte enquanto instala ou remove a roda X-LOCK. Esta pode prender os dedos.

**⚠️ PRECAUÇÃO:** Não coloque os dedos próximo da alavanca de libertação enquanto instala a roda X-LOCK. Esta pode prender os dedos.

**NOTA:** Não são necessárias peças adicionais como flanges interiores ou porcas de bloqueio para instalar ou remover as rodas X-LOCK.

1. Para instalar a roda X-LOCK, certifique-se de que ambos os prendedores estão na posição desbloqueada. Caso contrário, empurre a alavanca de libertação do lado A para levantar o lado B e puxe em seguida a alavanca de libertação do lado B conforme ilustrado. Os prendedores estão instalados na posição desbloqueada.

► **Fig.15:** 1. Prendedor 2. Alavanca de libertação

2. Coloque uma posição central da roda X-LOCK no suporte. Certifique-se de que a roda X-LOCK está paralela à superfície da flange e com o lado correto virado para cima.
3. Empurre a roda X-LOCK para o suporte. Os prendedores encaixam na posição bloqueada com um clique e fixam a roda X-LOCK.

► **Fig.16:** 1. Roda X-LOCK 2. Suporte 3. Superfície da flange 4. Prendedor

4. Certifique-se de que a roda X-LOCK está firmemente fixa. A superfície da roda X-LOCK não está mais alta do que a superfície do suporte conforme apresentado na figura. Caso contrário, o suporte deve ser limpo ou a roda X-LOCK não deve ser utilizada.

► **Fig.17:** 1. Superfície do suporte 2. Superfície da roda X-LOCK

Para remover a roda X-LOCK, empurre a alavanca de libertação do lado A para levantar o lado B e puxe em seguida a alavanca de libertação do lado B conforme ilustrado. A roda X-LOCK é libertada e pode ser removida.

► **Fig.18:** 1. Alavanca de libertação

## OPERAÇÃO

**⚠️ AVISO:** Nunca deve ser necessário forçar a ferramenta. O peso da ferramenta aplica a pressão adequada. Forçar e pressionar excessivamente pode provocar a quebra perigosa da roda.

**⚠️ AVISO:** Substitua SEMPRE a roda se a ferramenta cair enquanto estiver a esmerilar.

**⚠️ AVISO:** NUNCA provoque golpes violentos nem bata com a roda na peça de trabalho.

**⚠️ AVISO:** Evite bater ou dar pancadas na roda, especialmente quando trabalhar nos cantos, extremidades afiadas, etc. Isto pode provocar perda de controlo e acidentes.

**⚠️ AVISO:** NUNCA utilize a ferramenta com lâminas para corte de madeira e outras lâminas da serra. Essas lâminas quando utilizadas numa esmeriladora ressaltam frequentemente e provocam perda de controlo originando ferimentos pessoais.

**⚠️ AVISO:** Nunca acione a alavanca de libertação do suporte X-LOCK durante a operação. A roda X-LOCK desprende-se da ferramenta e pode causar ferimentos graves.

**⚠️ AVISO:** Certifique-se de que a roda X-LOCK está firmemente fixa.

**⚠️ PRECAUÇÃO:** Nunca ligue a ferramenta quando estiver em contacto com a peça de trabalho, pois pode ferir o operador.

**⚠️ PRECAUÇÃO:** Use sempre óculos de segurança ou um protetor facial durante a operação.

**⚠️ PRECAUÇÃO:** Depois da operação, desligue sempre a ferramenta e espere até que a roda esteja completamente parado antes de pousar a ferramenta.

**⚠️ PRECAUÇÃO:** Agarre SEMPRE na ferramenta firmemente com uma mão no corpo e a outra na punho lateral (pega).

## Operação de esmerilagem e lixagem

► **Fig.19**

Ligue a ferramenta e, em seguida, aplique a roda ou o disco na peça de trabalho.

Em geral, mantenha a extremidade da roda ou disco num ângulo de cerca de 15° relativamente à superfície da peça de trabalho.

Durante o período de arranque com uma roda nova, não utilize a esmeriladora para a frente ou pode cortar a peça de trabalho. Depois de a extremidade da roda estar arredondada pelo uso, pode trabalhar com a roda para a frente ou para trás.



## Operação com uma roda de corte abrasiva / roda diamantada

### Acessório opcional

**⚠️ AVISO:** Não “engrave” a roda nem aplique pressão excessiva. Não tente efetuar um corte demasiadamente profundo. Sujeitar a roda a esforço excessivo aumenta a carga e a suscetibilidade de torção ou prisão da roda no corte e a possibilidade de ocorrência de recuo, rotura da roda e sobreaquecimento do motor.

**⚠️ AVISO:** Não inicie a operação de corte na peça de trabalho. Aguarde até que a roda atinja a velocidade máxima e coloque-a no corte cuidadosamente, movendo a ferramenta para a frente sobre a superfície da peça de trabalho. A roda pode prender, saltar ou ressaltar se ligar a ferramenta elétrica na peça de trabalho.

**⚠️ AVISO:** Nunca altere o ângulo da roda durante as operações de corte. Exercer pressão lateral na roda de corte (como na esmerilagem) pode provocar fissuras e rotura, provocando ferimentos graves.

**⚠️ AVISO:** Uma roda diamantada deve ser utilizada perpendicularmente ao material a ser cortado.

Exemplo de utilização: operação com roda de corte abrasiva

► Fig.20

Exemplo de utilização: operação com roda diamantada

► Fig.21

## Operação com escova de arame tipo copo

### Acessório opcional

**⚠️ PRECAUÇÃO:** Verifique a operação da escova operando a ferramenta em vazio, certificando-se de que ninguém está à frente ou em linha com a escova.

**OBSERVAÇÃO:** Quando utilizar a escova de arame tipo copo, evite aplicar uma pressão excessiva que pode provocar a dobragem excessiva dos arames. Pode dar origem a quebra prematura.

Exemplo de utilização: operação com escova de arame tipo copo

► Fig.22

## Operação com escova de arame tipo roda

### Acessório opcional

**⚠️ PRECAUÇÃO:** Verifique a operação da escova de arame tipo roda operando a ferramenta em vazio, certificando-se de que ninguém está à frente ou em linha com a escova de arame tipo roda.

**OBSERVAÇÃO:** Quando utilizar a escova de arame tipo roda, evite aplicar uma pressão excessiva que pode provocar a dobragem excessiva dos arames. Pode dar origem a quebra prematura.

Exemplo de utilização: operação com escova de arame tipo roda

► Fig.23

## MANUTENÇÃO

**⚠️ PRECAUÇÃO:** Certifique-se sempre de que a ferramenta se encontra desligada e de que a bateria foi retirada antes de executar qualquer inspeção ou manutenção.

**OBSERVAÇÃO:** Nunca utilize gasolina, benzina, diluente, álcool ou produtos semelhantes. Pode ocorrer a descoloração, deformação ou rachaduras.

Para manter a SEGURANÇA e FIABILIDADE do produto, as reparações, qualquer outra manutenção ou ajuste devem ser realizados pelos centros de assistência autorizados da Makita, utilizando sempre peças de substituição Makita.

## Limpeza do ventilador de ar

A ferramenta e os respetivos ventiladores de ar têm de ser mantidos limpos. Limpe regularmente os ventiladores de ar da ferramenta ou sempre que os ventiladores comecem a ficar obstruídos.

► Fig.24: 1. Ventilador de exaustão 2. Ventilador de inalação

Retire a cobertura contra a poeira do ventilador de respiração e limpe-a para que a circulação de ar seja mais fácil.

► Fig.25: 1. Cobertura contra a poeira

**OBSERVAÇÃO:** Limpe a cobertura contra a poeira quando estiver entupida com poeira ou outros materiais estranhos. Continuar a operação com uma cobertura contra a poeira entupida, pode danificar a ferramenta.

# ACESSÓRIOS OPCIONAIS

**⚠️ PRECAUÇÃO:** Estes acessórios ou peças são recomendados para utilização com a ferramenta Makita especificada neste manual. A utilização de outros acessórios ou peças pode ser perigosa para as pessoas. Utilize apenas acessórios ou peças para os fins indicados.

Se necessitar de informações adicionais relativas a estes acessórios, solicite-as ao seu centro de assistência Makita.

- Bateria e carregador genuínos da Makita

► Fig.26

1	Punho 36
2	Resguardo da roda (para roda de esmerilagem)
3	Roda com centro rebaixado / Disco de aba
4	Resguardo da roda (para roda de corte) *1
5	Roda de corte abrasiva / roda diamantada
6	Escova de arame tipo roda
7	Escova de arame tipo copo

**NOTA:** \*1 Em alguns países europeus, pode-se utilizar um resguardo comum em vez de um resguardo especial que cobre ambos os lados da roda quando utilizar rodas diamantada. Siga os regulamentos do seu país.

**NOTA:** Alguns itens da lista podem estar incluídos na embalagem da ferramenta como acessórios padrão. Eles podem variar de país para país.

## SPECIFIKATIONER

Model:	DGA521
Skivediameter	125 mm (5")
Maks. skivetykkelse	6 mm
Nominel hastighed (n)	8.500 min <sup>-1</sup>
Længde i alt	375 mm
Mærkespænding	DC 18 V
Nettovægt	2,4 - 3,0 kg

- På grund af vores kontinuerlige forsknings- og udviklingsprogrammer kan hosstående specifikationer blive ændret uden varsel.
- Specifikationer kan variere fra land til land.
- Vægten kan være anderledes afhængigt af tilbehøret, inklusive akkuen. Den letteste og tungeste kombination i henhold til EPTA-procedure 01/2014 er vist i tabellen.

### Anvendelig akku og oplader

Akku	BL1815N / BL1820B / BL1830B / BL1840B / BL1850B / BL1860B
Oplader	DC18RC / DC18RD / DC18RE / DC18SD / DC18SE / DC18SF / DC18SH

- Nogle af de akkuer og opladere, der er angivet ovenfor, er muligvis ikke tilgængelige, afhængigt af hvilket område du bor i.

**⚠ ADVARSEL: Brug kun de akkuer og opladere, der er angivet ovenfor. Brug af andre akkuer og opladere kan medføre personskaade og/eller brand.**

### Anbefalet ledningstilsluttet strømforsyningskilde

Bærbær strømforsyning	PDC01
-----------------------	-------

- Den eller de ovenfor anførte ledningstilsluttede strømforsyningskilder er muligvis ikke tilgængelige, afhængigt af hvilket område du bor i.
- Inden du bruger den ledningstilsluttede strømforsyningskilde, skal du læse instruktionen og advarselmærkningerne på dem.

### Tilsigtet anvendelse

Denne maskine er beregnet til afslibning, sandslibning, trådbørstning og skæring i metal- og stenmaterialer uden anvendelse af vand.

### Støj

Det typiske A-vægtede støjniveau bestemt i overensstemmelse med EN60745-2-3:  
 Lydtryksniveau ( $L_{pA}$ ): 80 dB (A)  
 Usikkerhed (K): 3 dB (A)

Støjniveauet under arbejdet kan overskride 80 dB (A).

**BEMÆRK:** De(n) angivne støjemissionsværdi(er) er målt i overensstemmelse med en standardtestmetode og kan anvendes til at sammenligne en maskine med en anden.

**BEMÆRK:** De(n) angivne støjemissionsværdi(er) kan også anvendes i en præliminær eksponeringsvurdering.

**⚠ ADVARSEL: Bær høreværn.**

**⚠ ADVARSEL: Støjemissionen under den faktiske anvendelse af maskinen kan være forskellig fra de(n) angivne værdi(er), afhængigt af den måde hvorpå maskinen anvendes, især den type arbejdsemne der behandles.**

**⚠ ADVARSEL: Sørg for at identificere de sikkerhedsforskrifter til beskyttelse af operatøren, som er baseret på en vurdering af eksponering under de faktiske brugsforhold (med hensyntagen til alle dele i brugscyklussen, f.eks. de gange, hvor maskinen er slukket, og når den kører i tomgang i tilgift til afbrydertiden).**

### Vibration

Vibrationens totalværdi (tre-aksial vektorsum) bestemt i overensstemmelse med EN60745-2-3:

Arbejdstilstand: overfladeslibning med normalt sidehåndtag

Vibrationsafgivelse ( $a_{h,AG}$ ): 5,0 m/s<sup>2</sup>

Usikkerhed (K): 1,5 m/s<sup>2</sup>

Arbejdstilstand: overfladeslibning med

anti-vibrations-sidehåndtag

Vibrationsafgivelse ( $a_{h,AG}$ ): 6,5 m/s<sup>2</sup>

Usikkerhed (K): 1,5 m/s<sup>2</sup>

Arbejdstilstand: disksandslibning med normalt sidehåndtag  
Vibrationsafgivelse ( $a_{h,AG}$ ): 2,5 m/s<sup>2</sup> eller mindre  
Usikkerhed (K): 1,5 m/s<sup>2</sup>  
Arbejdstilstand: disksandslibning med anti-vibrations-sidehåndtag  
Vibrationsafgivelse ( $a_{h,AG}$ ): 2,5 m/s<sup>2</sup> eller mindre  
Usikkerhed (K): 1,5 m/s<sup>2</sup>

**BEMÆRK:** De(n) angivne totalværdi(er) for vibration er målt i overensstemmelse med en standardtestmetode og kan anvendes til at sammenligne en maskine med en anden.

**BEMÆRK:** De(n) angivne totalværdi(er) for vibration kan også anvendes i en præliminær eksponeringsvurdering.

**⚠ ADVARSEL:** Vibrationsemissionen under den faktiske anvendelse af maskinen kan være forskellig fra de(n) angivne værdi(er), afhængigt af den måde hvorpå maskinen anvendes, især den type arbejdsemne der behandles.

**⚠ ADVARSEL:** Sørg for at identificere de sikkerhedsforskrifter til beskyttelse af operatøren, som er baseret på en vurdering af eksponering under de faktiske brugsforhold (med hensyntagen til alle dele i brugscyklussen, f.eks. de gange, hvor maskinen er slukket, og når den kører i tomgang i tilgift til afbrydertiden).

**⚠ ADVARSEL:** Den erklærede værdi for vibrationsemission gælder for el-værktøjets primære anvendelser. Hvis el-værktøjet imidlertid anvendes til andre formål, kan værdien for vibrationsemission være anderledes.

## EF-overensstemmelseserklæring

### Kun for lande i Europa

EF-overensstemmelseserklæringen er inkluderet som Bilag A i denne brugsanvisning.

## SIKKERHEDSADVARSLER

### Almindelige sikkerhedsregler for el-værktøj

**⚠ ADVARSEL:** Læs alle de sikkerhedsadvarsler, instruktioner, illustrationer og specifikationer, der følger med denne maskine. Forsømmelse af at overholde alle nedenstående instruktioner kan medføre elektrisk stød, brand og/eller alvorlig personskade.

### Gem alle advarsler og instruktioner til fremtidig reference.

Ordet "el-værktøj" i advarslerne henviser til det netforsyede (netledning) el-værktøj eller batteriforsyede (akku) el-værktøj.

## Sikkerhedsadvarsler for ledningsfri vinkelsliber

Almindelige sikkerhedsadvarsler for arbejde med slibning, slibning med sandpapir, trådbørstning eller slibende afskæring:

1. Denne maskine er beregnet til at fungere som en sliber, slibemaskine med sandpapir, trådbørste eller afskæringstværgær. Læs alle de sikkerhedsadvarsler, instruktioner, illustrationer og specifikationer, som følger med denne maskine. Forsømmelse af at følge alle instruktionerne herunder kan resultere i elektrisk stød, brand og/eller alvorlig tilskadecomst.
2. Det anbefales ikke at udføre operationer som for eksempel polering med denne maskine. Anvendelse, som maskinen ikke er beregnet til, kan være farligt og føre til personskade.
3. Anvend ikke tilbehør, som ikke er specifikt lavet og anbefalet af maskinens fabrikant. Den omstændighed, at tilbehøret kan monteres på din maskine, er ingen garanti for, at anvendelsen bliver sikkerhedsmæssig forsvarlig.
4. Tilbehørets nominelle hastighed skal være beregnet til mindst den samme som den maksimale hastighed, som er anført på maskinen. Tilbehør, som kører med en større hastighed end deres nominelle hastighed, kan brække og slynges af.
5. Tilbehørets ydre diameter og tykkelse skal være inden for din maskines kapacitetsrating. Tilbehør med en forker størrelse kan ikke beskyttes eller styres tilstrækkeligt.
6. Gevindmontering af tilbehør skal passe til maskinens spindelgevind. For tilbehør, som monteres med flanger, skal dornhullet på tilbehøret passe til lokaliseringsdiametere på flangen. Tilbehør, som ikke passer til maskinens monteringsdele, vil miste balancen, vibrere ekstremt og kan føre til tab af kontrol.
7. Anvend ikke beskadiget tilbehør. Inspicer altid tilbehøret inden brugen, som for eksempel slibeskiver, for skår og revner, bagskiven for revner, slitage eller ekstrem nedslidning, trådbørsten for løse eller revnede tråde. Hvis maskinen eller tilbehøret tabes, skal de efterses for skade, eller en ubeskadiget tilbehørsdel skal monteres. Efter inspektion og montering af tilbehør, skal De og omkringstående stå på god afstand af det roterende tilbehørs flade, og maskinen skal køres på højeste, ubelastede hastighed i et minut. Beskadiget tilbehør vil normalt brække under prøvetiden.
8. Anvend personligt beskyttelsesudstyr. Afhængigt af brugen skal der anvendes ansigtsskærm, beskyttelsesbriller eller sikkerhedsbriller. Anvend, alt efter forholdene, støvmaske, høreværn, handsker og forklæde, som kan stoppe små slibningsstykker eller fragmenter fra arbejdsemnet. Øjenbeskyttelsen skal kunne stoppe afslængede stykker, som er frembragt af forskelligt arbejde. Støvmasken og respiratoren skal være i stand til at filtrere partikler, som er frembragt af arbejdet. Længere tids udsættelse for støj af høj intensitet kan medføre høretab.

9. **Hold tilskuere på god afstand af arbejdsområdet.** Enhver person, som befinder sig i arbejdsområdet, skal bære personligt beskyttelsesudstyr. Fragmenter fra arbejdssemner eller fra brækket tilbehør kan blive slynget af og være årsag til tilskadekomst, også uden for det umiddelbare arbejdsområde.
10. **Hold kun maskinen i dens isolerede gribeflader, når du udfører et stykke arbejde, hvor skæremaskinen kan komme i berøring med skjulte ledninger.** Kontakt med en strømførende ledning vil bevirke, at blottede metaldele på maskinen også bliver strømførende, hvorved operatøren kan få stød.
11. **Læg aldrig maskinen fra Dem, før tilbehøret er stoppet fuldstændigt.** Det roterende tilbehør kan gribe fat i overfladen, hvilket kan bevirke, at De mister herredømmet over maskinen.
12. **Lad ikke maskinen køre, mens De bærer den ved siden.** Utilsliget kontakt med det roterende tilbehør kan gribe fat i tøjet og derved trække tilbehøret ind mod kroppen.
13. **Rengør maskinens ventilationsåbninger med jævne mellemrum.** Motorens vifte vil trække støv ind i huset, og en kraftig opbobling af metalstøv kan skabe elektrisk fare.
14. **Anvend ikke maskinen i nærheden af brændbare materialer.** Disse materialer kan blive antændt af gnister.
15. **Anvend ikke tilbehør, der kræver kølevæske.** Anvendelse af vand eller anden kølevæske kan resultere i dødelige stød eller elektriske stød.

#### Tilbageslag og relaterede advarsler

Tilbageslag er en pludselig reaktion på en fastklemt eller blokeret roterende skive, bagskive, børste eller andet tilbehør. En fastklemt eller blokeret del forårsager hurtig standsning af det roterende tilbehør, som derved bliver årsag til, at den ukontrollerede maskine bliver tvunget i den modsatte retning af tilbehørets rotation ved punktet for bindingen.

Hvis for eksempel en slibeskive er blokeret eller fastklemt af arbejdsområdet, kan kanten på skiven, som går ind i fastklemningspunktet, grave sig ind i materialets overflade og derved bevirke, at skiven kommer ud eller presses ud. Skiven kan enten slynges mod eller bort fra operatøren, afhængigt af skivens bevægelse på fastklemningspunktet. Slibeskiver kan også brække under disse forhold.

Tilbageslag er resultatet af misbrug af maskinen og/eller fejlagtig anvendelse eller forkerte brugsforhold og kan undgås ved at man tager de rigtige forholdsregler som vist herunder.

1. **Hold godt fast i maskinen og hold kroppen og armen således, at De kan modvirke tilbageslagskraften.** Anvend altid hjælpehåndtaget, hvis et sådant medfølger, til at opnå maksimal kontrol af tilbageslag og drejningsmomentreaktion under starten. Operatøren kan kontrollere drejningsmomentreaktion eller tilbageslagskraft, hvis de rigtige forholdsregler tages.
2. **Anbring aldrig hænderne i nærheden af det roterende tilbehør.** De risikerer at få hånden ind i tilbageslagets bane.
3. **Stil Dem ikke i det område, hvor maskinen vil bevæge sig, hvis der opstår tilbageslag.** Tilbageslag vil slynge maskinen i den modsatte retning af skivens omdrejning på blokeringsstidspunktet.

4. **Vær særlig omhyggelig, når De arbejder på hjørner, skarpe kanter osv.** Undgå at bumpe eller blokere tilbehøret. Hjørner, skarpe kanter eller bumpen har tendens til at blokere det roterende tilbehør og forårsage tab af kontrol eller tilbageslag.
5. **Monter ikke en savkæde, træskærklinge eller en savklinge med tænder.** Sådanne klinger giver hyppige tilbageslag og tab af kontrol.

#### Særlige sikkerhedsadvarsler for arbejde med slibning og afskæring:

1. **Anvend kun skivetyper, som anbefales til din maskine og den specielle beskyttelsesskærm, som er beregnet til den valgte skive.** Skiver, for hvilke maskinen ikke er beregnet, kan ikke afskærmes tilstrækkeligt og er ikke sikkerhedsmæssigt forsvarlige.
2. **Slibefladen på forsænkede centerskiver skal monteres under beskyttelsesskærmkantens flade.** En forkert monteret skive, som stikker ud fra beskyttelsesskærmkantens flade, kan ikke beskyttes tilstrækkeligt.
3. **Beskyttelseskærmen skal være ordentligt monteret på maskinen og placeret, så den optimale sikkerhed opnås, således at mindst muligt af skiven vender mod operatøren.** Beskyttelseskærmen bidrager til at beskytte operatøren mod afbrækkede skivefragmenter og utilsigtet kontakt med skiven og gnister, der kan antænde tøjet.
4. **Skiver må kun anvendes til de anbefalede opgaver.** For eksempel: slib ikke med siden af en afskæringsskive. Slibende afskæringsskiver er beregnet til periferisk slibning. Hvis disse skiver udsættes for sidetryk, kan resultatet blive, at de brækker.
5. **Anvend altid ubeskadigede skiveflanger, som har den rigtige størrelse og form til den valgte skive.** Rigtige skiveflanger støtter skiven, hvorved risikoen for skivebrud nedsættes. Flanger til afskæringsskiver kan være anderledes end slibeskiveflanger.
6. **Anvend ikke nedslidte skiver fra større maskiner.** Skiver, som er beregnet til større maskiner, er ikke egnede til en mindre maskines højere hastighed og kan brække.

#### Supplerende sikkerhedsadvarsler for arbejde med slibende afskæring:

1. **Vær påpasselig med ikke at "klemme" afskæringsskiven fast eller udsætte den for et ekstremt tryk. Forsøg ikke at lave et snit af ekstrem dybde.** Et for stort pres på skiven vil øge belastningen og risikoen for at skiven vrider eller binder i snittet med risikoen for tilbageslag eller brud på skiven til følge.
2. **Stå ikke på linje med eller bag den roterende skive.** Når skiven under anvendelse drejer bort fra Dem, kan et muligt tilbageslag bevirke, at den roterende skive og maskinen slynges direkte mod Dem.
3. **Hvis skiven binder eller hvis en skæring af en eller anden årsag afbrydes, skal De slukke for maskinen og holde den ubevægelig, indtil skiven er holdt helt op med at dreje. Forsøg aldrig at fjerne afskæringsskiven fra snittet, mens skiven er i bevægelse, da dette kan føre til tilbageslag.** Undersøg problemet og tag de rigtige forholdsregler for at eliminere årsagen til at skiven binder.

4. **Lad være med at starte skæringen i arbejdsmenet. Lad skiven komme op på fuld hastighed og gå derefter forsigtigt ind i snittet igen.** Skiven kan binde, presses op eller give tilbageslag, hvis maskinen startes igen i arbejdsmenet.
5. **Understøt paneler eller alle arbejdsemner i overstrøelse for at minimere risikoen for fastklemning af skiven og tilbageslag.** Store arbejdsemner har tendens til at synke sammen under deres egen vægt. Der skal anbringes støt-teanordninger under arbejdsmenet i nærheden af snitlinjen og nær kanten på arbejdsstykket på begge sider af skiven.
6. **Vær ekstra forsigtig, når De laver et "lommesnit" i eksisterende vægge eller andre blinde områder.** Den fremspringende skive kan komme til at skære i gas- og vandrør, elektriske ledninger eller genstande, som kan forårsage tilbageslag.
8. **Berør ikke arbejdsmenet lige efter at arbejdet er udført.** Det kan blive meget varmt og være årsag til forbrændinger.
9. **Undgå at berøre tilbehør umiddelbart efter arbejdets ophør.** Det kan være meget varmt og kan forårsage forbrændinger af huden.
10. **Overhold altid fabrikantens instruktioner for korrekt montering og anvendelse af skiver.** Behandl og opbevar skiver med forsigtighed.
11. **Anvend ikke separate reduktionsbøsninger eller adaptore til at tilpasse slibeskiver med store centerhuller til maskinen.**
12. **Kontrollér at emnet er korrekt understøttet.**
13. **Forsigtig! Skiven fortsætter med at rotere, efter at der slukket for maskinen.**
14. **Hvis arbejdsstedet er ekstremt varmt eller fugtigt, eller slemt tilsnævset med ledende støv, bør der anvendes en kortslutningsafbryder (30 mA) for at garantere sikkerheden under arbejdet.**

#### Særlige sikkerhedsadvarsler for slibning med sandpapir:

1. **Anvend ikke sandpapir af overstørrelse. Følg fabrikantens anbefalinger, når De vælger sandpapir.** Større sandpapir, som går ud over sandpaprskiven, udgør en fare for sønderrivelse og kan medføre blokering og beskadigelse af skiven eller være årsag til tilbageslag.

#### Særlige sikkerhedsadvarsler for trådbørstning:

1. **Vær opmærksom på, at trådbørstehårene afståede fra børsten selv under almindelig anvendelse. Udsæt ikke trådbørstehårene for et for stort tryk ved at trykke for kraftigt på børsten.** Trådbørstehårene kan nemt gennemtrænge tynde klæder og/eller huden.
2. **Hvis anvendelse af en beskyttelseskærm ved trådbørstning anbefales, må man ikke tillade interferens af trådsken eller børsten med beskyttelseskærmen.** Trådsken eller børsten kan udvide sig i diameter på grund af arbejdsbelastningen og centrifugalkraften.

#### Supplerende sikkerhedsadvarsler:

1. **Hvis der anvendes forsænkede centerskiver, skal man sørge for kun at anvende fiberglasforstærkede skiver.**
2. **ANVEND ALDRIG skiver af stenkop-typen med denne sliber.** Denne sliber er ikke beregnet til disse typer skiver, og anvendelse af et sådant produkt kan resultere i alvorlig tilskadecent.
3. **Undgå at beskadige X-LOCK-holderen.** Beskadigelse af delene kan resultere i, at skiven brækker.
4. **Sørg for, at skiven ikke er i berøring med arbejdsmenet, inden De tænder for maskinen med afbryderen.**
5. **Inden De begynder at anvende maskinen på et rigtigt arbejdsemne, skal De lade den køre i et stykke tid.** Vær opmærksom på vibrationer eller slør, som kan være tegn på dårlig montage eller en forkert afbalanceret skive.
6. **Anvend den specificerede overflade på skiven til at udføre slibningen.**
7. **Læg ikke maskinen fra Dem, mens den stadig kører.** Anvend kun maskinen som håndværktøj.

15. **Anvend aldrig maskinen på materialer, der indeholder asbest.**
16. **Anvend altid den støvopsamlende beskyttelseskærm, som er påkrævet ifølge de lokale regler, når afskæringsskiven anvendes.**
17. **Skæreskiver må ikke udsættes for tryk fra siden.**
18. **Anvend ikke stofarbejdshandsker under brugen.** Fibre fra stofhandsker kan muligvis trænge ind i maskinen, hvilket forvolder skade på maskinen.
19. **Inden betjening skal du sørge for, at der ikke er nogen skjulte genstande som fx elektriske rør, vandrør eller gasrør i arbejdsmenet.** Ellers kan det muligvis forårsage et elektrisk stød, en elektrisk lækage eller gaslækage.

## GEM DISSE FORSKRIFTER.

**⚠ ADVARSEL:** LAD IKKE bekvemmelighed eller kendskab til produktet (opnået gennem gentagen brug) forhindre, at sikkerhedsforskrifterne for produktet nøje overholdes. MISBRUG eller forsømmelse af at følge de i denne brugsvejledning givne sikkerhedsforskrifter kan medføre alvorlig personskade.

## Vigtige sikkerhedsinstruktioner for akkuen

1. **Læs alle instruktioner og advarselmærkater på (1) akku-opladeren, (2) akkuen og (3) produktet, som anvender akku.**
2. **Adskil eller ændr ikke akkuen.** Det kan muligvis resultere i en brand, overdreven varme eller eksplosion.
3. **Hold straks op med anvendelsen, hvis brugstiden er blevet stærkt afkortet.** Fortsat anvendelse kan resultere i risiko for overophedning, forbrændinger og endog eksplosion.
4. **Hvis De har fået elektrolytvæske i øjnene, skal De straks skylle den ud med rent vand og derefter øjeblikkeligt søge lægehjælp.** I modsat fald kan De miste synet.

5. Vær påpasselig med ikke at komme til at kortslutte akkuen:
  - (1) Rør ikke ved terminalerne med noget ledende materiale.
  - (2) Udgå at opbevare akkuen i en beholder sammen med andre genstande af metal, for eksempel søm, mønter og lignende.
  - (3) Udsæt ikke akkuen for vand eller regn. Kortslutning af akkuen kan forårsage en kraftig øgning af strømmen, overophedning, muligvis forbrændinger og endog værktøjstop.
6. Opbevar og brug ikke maskinen og akkuen på steder, hvor temperaturen muligvis kan nå eller overstige 50 °C.
7. Lad være med at brænde akkuen, selv ikke i tilfælde, hvor den har lidt alvorlig skade eller er fuldstændig udtjent. Akkuen kan eksplodere, hvis man forsøger at brænde den.
8. Slå ikke søm i, skær ikke i, knus, kast, tab ikke akkuen og stød ikke akkuen mod en hård genstand. Sådant adfærd kan muligvis resultere i en brand, overdreven varme eller eksplosion.
9. Anvend ikke en beskadiget akku.
10. De indbyggede litium-ion-batterier er underlagt lovkrav vedrørende farligt gods. Ved kommerciel transport, f.eks. af tredjeparts transportselskaber, skal særlige krav til forpakning og mærkning overholdes. Ved forberedelse af udstyret til forsendelse skal du kontakte en ekspert i farligt gods. Overhold også eventuel mere detaljeret national lovgivning. Tape eller tildæk åbne kontakter, og pak batteriet på en måde, så det ikke kan flytte sig rundt i pakningen.
11. Når akkuen bortskaffes, skal du fjerne den fra maskinen og bortskaffe den på et sikkert sted. Følg de lokale love vedrørende bortskaffelsen af batterier.
12. Brug kun batterierne med de produkter, som Makita specificerer. Hvis batterierne installeres i ikke-kompatible produkter, kan det medføre brand, kraftig varme, eksplosion eller udsivning af elektrolyt.
13. Hvis maskinen ikke skal bruges i længere tid ad gangen, skal du fjerne batteriet fra maskinen.
14. Akkuen kan muligvis under og efter brug være varm, hvilket kan forårsage forbrændinger eller lavtemperaturforbrændinger. Vær påpasselig med håndtering af varme akkuer.
15. Rør ikke terminalen på maskinen straks efter brug, da den bliver varm nok til at forårsage forbrændinger.
16. Sørg for at spåner, støv eller jord ikke sætter sig fast inde i terminalerne, hullerne og rillerne på akkuen. Det kan muligvis medføre dårlig ydelse eller nedbrud af maskinen eller akkuen.
17. Medmindre maskinen understøtter brugen i nærheden af elektriske højspændingsledninger, skal du ikke anvende akkuen i nærheden af elektriske højspændingsledninger. Det kan muligvis medføre funktionsfejl på eller nedbrud af maskinen eller akkuen.
18. Opbevar batteriet utilgængeligt for børn.

**⚠FORSIGTIG:** Brug kun originale batterier fra Makita. Brug af uoriginale Makita-batterier, eller batterier som er blevet ændret, kan muligvis medføre brud på batteriet, hvilket kan forårsage brand, personskade eller beskadigelse. Det ugyldiggør også Makita-garantien for Makita-maskinen og opladeren.

## Tips til opnåelse af maksimal akku-levetid

1. Oplad akkuen, inden den er helt afladet. Stop altid værktøjet, og oplad akkuen, hvis De bemærker, at værktøjeffekten er aftagende.
2. Genoplad aldrig en fuldt opladet akku. Overopladning vil forkorte akkuens levetid.
3. Oplad akkuen ved stuetemperatur ved 10 °C - 40 °C. Lad altid en varm akku få tid til at køle af, inden den oplades.
4. Når du ikke anvender akkuen, skal du fjerne den fra maskinen eller opladeren.
5. Oplad akkuen, hvis De ikke skal bruge den i længere tid (mere end seks måneder).

## FUNKTIONSBESKRIVELSE

**⚠FORSIGTIG:** Sørg altid for at maskinen er slukket, og at akkuen er taget ud, før der udføres justering eller kontrol af funktioner på maskinen.

### Isætning eller fjernelse af akkuen

**⚠FORSIGTIG:** Sluk altid for værktøjet, før De monterer eller fjerner akkuen.

**⚠FORSIGTIG:** Hold værktøjet og akkuen fast ved montering eller fjernelse af akkuen. Hvis De ikke holder værktøjet og akkuen fast, kan de glide ud af hænderne på Dem og forårsage beskadigelse af værktøjet og akkuen eller personskade.

► Fig.1: 1. Rød indikator 2. Knap 3. Akku

Akkuen fjernes ved, at De trækker den ud af værktøjet, idet De skyder knappen på forsiden af akkuen i stilling.

For at montere akkuen skal du justere tungen på akkuen med rillen i huset og skubbe den på plads. Indsæt den hele vejen, indtil den låses på plads med et lille klik. Hvis du kan se den røde indikator, som vist i figuren, er den ikke helt låst.

**⚠FORSIGTIG:** Monter altid akkuen helt, indtil den røde indikator ikke længere er synlig. Hvis dette ikke gøres, kan den falde ud af værktøjet ved et uheld, hvorved De selv eller personer i nærheden kan komme til skade.

**⚠FORSIGTIG:** Brug ikke magt ved montering af akkuen. Hvis akkuen ikke glider på plads uden problemer, betyder det, at den ikke sættes i på korrekt vis.

**GEM DENNE BRUGSANVISNING.**

## Indikation af den resterende batteriladning

**Kun til akkuer med indikatoren**

► **Fig.2:** 1. Indikatorlamper 2. Kontrolknop

Tryk på kontrolknappen på akkuen for at få vist den resterende batteriladning. Indikatorlampen lyser i nogle sekunder.

Indikatorlamper			Resterende ladning
Tændt	Slukket	Blinker	
■	□	◐	75% til 100%
■	■	□	50% til 75%
■	■	□	25% til 50%
■	□	□	0% til 25%
◐	□	□	Genoplad batteriet.
■	■	□	Der er muligvis fejl i batteriet.
□	□	■	

**BEMÆRK:** Afhængigt af brugsforholdene og den omgivende temperatur kan indikationen afvige en smule fra den faktiske ladning.

**BEMÆRK:** Den første indikatorlampe (længst mod venstre) vil blinke, når batteribeskyttelsessystemet aktiveres.

## Indikation af den resterende batteriladning

Når du tænder for maskinen, viser batteriindikatoren den resterende batteriladning.

► **Fig.3:** 1. Batteriindikator

Den resterende batteriladning vises som i følgende tabel.

Status på batteriindikator			Resterende batteriladning
Tændt	Slukket	Blinker	
■	□	◐	50% til 100%
■	■	□	20% til 50%
■	□	□	0% til 20%
◐	□	□	Genoplad batteriet

## Beskyttelsessystem til værktøj/batteri

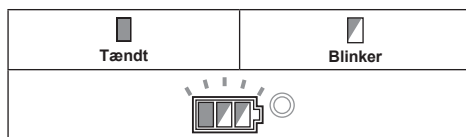
Maskinen er udstyret med et beskyttelsessystem til maskinen/batteriet. Dette system afbryder automatisk strømmen til motoren for at forlænge maskinens og batteriets levetid. Maskinen stopper automatisk under brugen, hvis maskinen eller batteriet udsættes for et af følgende forhold:

### Overbelastningsbeskyttelse

Hvis maskinen/batteriet bruges på en måde, der får den til at trække en unormalt høj strøm, stopper maskinen automatisk uden indikation. Sluk i så fald for maskinen, og stop den anvendelse, der medførte overbelastningen af maskinen. Tænd derefter for maskinen for at starte igen.

### Beskyttelse mod overophedning

Når maskinen bliver overophedet, stopper den automatisk, og batteriindikatoren viser følgende tilstand. Lad i så fald maskinen køle af, før der tændes for maskinen igen.



Hvis maskinen ikke starter, er akkuen muligvis overophedet. Lad i så fald akkuen køle af, før der tændes for maskinen igen.

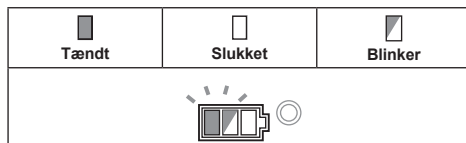
### Beskyttelse mod overafledning

Når batteriladningen er utilstrækkelig, stopper maskinen automatisk. Tag i så fald akkuen ud af maskinen, og oplad akkuen.

### Frigørelse af beskyttelseslåsen

Når beskyttelsessystemet aktiveres gentagne gange, låses maskinen, og batteriindikatoren viser følgende tilstand.

I så fald starter maskinen ikke, selv om der tændes og slukkes for maskinen. For at frigøre beskyttelseslåsen skal du fjerne akkuen, sætte den i batteriopladeren og vente, indtil opladningen er fuldført.





## Afbryderfunktion

**⚠FORSIGTIG:** Før akkuen indsættes i maskinen, skal det altid kontrolleres, at glidekontakten fungerer ordentligt og vender tilbage til "OFF"-stillingen, når bagsiden af glidekontakten trykkes ind.

**⚠FORSIGTIG:** Kontakten kan låses i "ON"-stillingen for at gøre det nemmere for brugeren ved længere tids brug af maskinen. Vær forsigtig, når maskinen låses i "ON"-stillingen, og hold godt fast i maskinen.

For at starte maskinen, skal man trykke ned på bagerste ende af glidekontakten og derefter trykke den mod "I (ON)"-stillingen. For kontinuerlig brug skal man trykke ned på forreste ende af glidekontakten for at låse den.



► **Fig.4:** 1. Glidekontakt

For at stoppe maskinen, skal man trykke ned på bagerste ende af glidekontakten så den vender tilbage til "O (OFF)"-stillingen.

► **Fig.5:** 1. Glidekontakt

## Automatisk hastighedsændringsfunktion

► **Fig.6:** 1. Tilstandsindikator

Tilstandsindikatorstatus	Funktionstilstand
	Højhastighedstilstand
	Tilstand for højt moment

Dette værktøj har en "højhastighedstilstand" og en "tilstand for højt moment". Det skifter automatisk funktionstilstand afhængigt af arbejdsbelastningen. Når tilstandsindikatoren lyser under brug, er værktøj i højt momenttilstand.

## Funktion til forhindring af utilsigtet genstart

Når akkuen sættes i, mens glidekontakten er i "I (ON)"-stillingen, starter maskinen ikke.

For at starte maskinen skal man først trykke glidekontakten mod "O (OFF)"-stillingen og derefter trykke den mod "I (ON)"-stillingen.

## Teknologi til aktiv registrering af feedback

Maskinen registrerer elektronisk situationer, hvor skiven eller tilbehøret kan risikere at binde. I så fald slukkes der automatisk for maskinen for at forhindre spindlen i at rotere yderligere (det forhindrer ikke tilbageslag). For at genstarte maskinen skal man først slukke for maskinen, eliminere årsagen til det pludselige fald i rotationshastighed og derefter tænde for maskinen.

## Funktion for blød start

Funktionen for blød start reducerer startreaktionen.

## SAMLING

**⚠FORSIGTIG:** Sørg altid for at maskinen er slukket, og at akkuen er taget ud, før der udføres justering eller kontrol af funktioner på maskinen.

## Montering af sidehåndtag

**⚠FORSIGTIG:** Sørg altid for, at sidehåndtaget er ordentligt monteret inden brugen.

Skru sidehåndtaget ordentligt på maskinen på det på illustrationen viste sted.

► **Fig.7**

## Montering eller afmontering af beskyttelsesskærm

**⚠ADVARSEL:** Ved brug af en forsænket center-skive, bladdisk eller trådskevborste skal beskyttelsesskærmen monteres på maskinen, så den lukkede side af skærmen altid vender mod operatøren.

**⚠ADVARSEL:** Kontroller at beskyttelsesskærmen er låst ordentligt fast vha. låsearmen med et af hullerne i beskyttelsesskærmen.

**⚠ADVARSEL:** Ved brug af en slibende afskæringsskive / diamantskive skal man sørge for kun at anvende den særlige beskyttelsesskærm, der er beregnet til brug med afskæringsskiver.

(I nogle lande i Europa kan den almindelige beskyttelsesskærm anvendes, når man anvender en diamantskive. Følg bestemmelserne for det pågældende land.)

## Til forsænket centerskive, bladdisk, trådskevborste / slibende afskæringsskive, diamantskive

1. Mens du trykker på låsearmen, skal du montere beskyttelsesskærmen, så fremspringene på beskyttelsesskærmen er ud for indhakkene på kuglelejevoksen.

► **Fig.8:** 1. Låsearm 2. Indhak 3. Fremspring

2. Mens du trykker låsearmen mod A, skal du trykke beskyttelsesskærmen ind ved at holde ned på delene B som vist på figuren.

► **Fig.9:** 1. Beskyttelsesskærm 2. Hul

**BEMÆRK:** Tryk beskyttelsesskærmen lige ned. Ellers kan du ikke trykke beskyttelsesskærmen helt ind.

3. Mens du beholder låsearmens og beskyttelsesskærmens position, som beskrevet i trin 2, skal du dreje beskyttelsesskærmen mod C og derefter ændre vinklen på beskyttelsesskærmen i overensstemmelse med arbejdet.

► **Fig.10:** 1. Beskyttelsesskærm 2. Hul

**BEMÆRK:** Tryk beskyttelsesskærmen helt ind. Ellers kan du ikke dreje beskyttelsesskærmen.

Følg fremgangsmåden til montage i modsat rækkefølge for at afmontere beskyttelsesskærmen.

## Når du anvender en forsænket centerskive eller bladdisk

### Ekstraudstyr

**⚠ ADVARSEL:** Når en forsænket centerskive eller en bladdisk anvendes, skal beskyttelsesskærmen sættes på maskinen, så den lukkede side af skærmen altid er rettet mod operatøren.

- **Fig. 11:** 1. Forsænket centerskive  
2. Beskyttelsesskærm

## Når du anvender en slibende afskæringsskive / diamantskive

### Ekstraudstyr

**⚠ ADVARSEL:** Ved brug af en slibende afskæringsskive / diamantskive skal man sørge for kun at anvende den særlige beskyttelsesskærm, der er beregnet til brug med afskæringsskiver.

(I nogle lande i Europa kan den almindelige beskyttelsesskærm anvendes, når man anvender en diamantskive. Følg bestemmelserne for det pågældende land.)

**⚠ ADVARSEL:** Anvend ALDRIG en afskæringsskive til sideslibning.

- **Fig. 12:** 1. Slibende afskæringsskive / diamantskive  
2. Beskyttelsesskærm til slibende afskæringsskive / diamantskive

## Montering af trådkopbørste

### Ekstraudstyr

**⚠ FORSIGTIG:** Anvend ikke en trådkopbørste, som er beskadiget, eller som ikke er i balance. Anvendelse af en beskadiget børste kan øge risikoen for tilskadekomst forårsaget af kontakt med knækkede børstetråde.

- **Fig. 13:** 1. Trådkopbørste

## Montering af trådskevørste

### Ekstraudstyr

**⚠ FORSIGTIG:** Anvend ikke en trådskevørste, som er beskadiget, eller som ikke er i balance. Anvendelse af en beskadiget trådskevørste kan øge risikoen for tilskadekomst forårsaget af kontakt med ødelagte tråde.

**⚠ FORSIGTIG:** Anvend ALTID en beskyttelsesskærm med trådskevørster, og sørg for, at skivens diameter passer inden i beskyttelsesskærmen. Skiven kan brække under brugen, og beskyttelsesskærmen bidrager til at reducere risikoen for tilskadekomst.

- **Fig. 14:** 1. Trådskevørste 2. Beskyttelsesskærm

## Montering eller afmontering af X-LOCK-skive

**⚠ ADVARSEL:** Aktiver aldrig udløserhåndtaget på X-LOCK-holderen under anvendelse. Sørg for, at X-LOCK-skiven er helt stoppet, når du fjerner den. Ellers falder X-LOCK-skiven af maskinen og kan muligvis forårsage alvorlig tilskadekomst.

**⚠ FORSIGTIG:** Brug kun originale X-LOCK-skiver med X-LOCK-logoet. Denne maskine er dedikeret til X-LOCK.

Det maksimale tilspændingsmål på 1,6 mm kan kun garanteres med originale X-LOCK-skiver.

Brug af nogen andre skiver kan medføre usikker tilspænding, og forårsage at spændeanordningen går løs.

**⚠ FORSIGTIG:** Rør ikke ved X-LOCK-skiven umiddelbart efter brug. Den kan være ekstremt varm og medføre forbrændinger.

**⚠ FORSIGTIG:** Sikr dig, at X-LOCK-skiven og holderen på maskinen ikke er deformet, og at de er fri for støv og fremmedlegemer.

**⚠ FORSIGTIG:** Undlad at placere fingeren i nærheden af holderen, mens du monterer eller afmonterer X-LOCK-skiven. Du kan muligvis få fingeren i klemme.

**⚠ FORSIGTIG:** Undlad at placere fingeren i nærheden af udløserhåndtaget, mens du monterer X-LOCK-skiven. Du kan muligvis få fingeren i klemme.

**BEMÆRK:** Der behøves ingen yderligere dele såsom indvendige flanger eller låsemøtrikker til at montere eller afmontere X-LOCK-skiver.

1. For at montere X-LOCK-skiven skal du sikre dig, at begge spærhager er i den frigjorte position. Hvis ikke, skal du trykke på udløserhåndtaget fra A-siden for at løfte B-siden, og derefter trække i udløserhåndtaget fra B-siden som illustreret. Spærhagerne er indstillet i den ulåste position.  
► **Fig. 15:** 1. Spærhage 2. Udløserhåndtag
2. Placer en central position af X-LOCK-skiven på holderen. Sørg for, at X-LOCK-skiven er parallel med flangeoverfladen og med den korrekte side vendende opad.
3. Tryk X-LOCK-skiven ind i holderen. Spærhagerne klikker ind i den låste position med et klik og fastgør X-LOCK-skiven.  
► **Fig. 16:** 1. X-LOCK-skive 2. Holder  
3. Flangeoverflade 4. Spærhage
4. Sørg for, at X-LOCK-skiven er fastgjort korrekt. Overfladen på X-LOCK-skiven er ikke højere end overfladen på holderen som vist på figuren. Hvis ikke, skal holderen rengøres, eller X-LOCK-skiven må ikke anvendes.  
► **Fig. 17:** 1. Overflade på holderen 2. Overflade på X-LOCK-skiven

For at fjerne X-LOCK-skiven skal du trykke på udløserhåndtaget fra A-siden for at løfte B-siden, og derefter trække i udløserhåndtaget fra B-siden som illustreret. X-LOCK-skiven er frigjort og kan fjernes.

- **Fig. 18:** 1. Udløserhåndtag

## ANVENDELSE

**⚠ ADVARSEL:** Det bør aldrig være nødvendigt at anvende magt på maskinen. Maskinens egen vægt sørger for det nødvendige tryk. Tvang og ekstremt tryk kan medføre farlige brud på skiven.

**⚠ ADVARSEL:** Skift **ALTID** skiven ud, hvis maskinen tabes under slibning.

**⚠ ADVARSEL:** Stød eller slå **ALDRIG** skiven mod arbejdsemnet.

**⚠ ADVARSEL:** Undgå at støde og vride skiven, især ved arbejde på hjørner, skarpe kanter osv. Det kan medføre tab af kontrol og tilbageslag.

**⚠ ADVARSEL:** Anvend **ALDRIG** maskinen med klinger, der er beregnet til skæring i træ, og andre savklinger. Hvis sådanne klinger anvendes på en sliber, bliver resultatet ofte tilbageslag og tab af kontrol, hvilket kan føre til tilskadekomst.

**⚠ ADVARSEL:** Aktiver aldrig udløserhåndtaget på X-LOCK-holderen under anvendelse. X-LOCK-skiven falder af maskinen og kan muligvis forårsage alvorlig tilskadekomst.

**⚠ ADVARSEL:** Sørg for, at X-LOCK-skiven er fastgjort ordentligt.

**⚠ FORSIGTIG:** Tænd aldrig for maskinen, mens den er i kontakt med arbejdsemnet. Operatøren kan i så fald komme til skade.

**⚠ FORSIGTIG:** Bær altid beskyttelsesbriller eller ansigtsskærm under brugen.

**⚠ FORSIGTIG:** Efter brugen skal man altid slukke for maskinen og vente, indtil skiven er stoppet helt, inden man lægger maskinen fra sig.

**⚠ FORSIGTIG:** Hold **ALTID** godt fast i maskinen med den ene hånd på maskinhuset og den anden på sidehåndtaget.

## Slibning og sandslibning

► Fig.19

Start maskinen og anbring derefter skiven eller disken på arbejdsemnet.

Generelt skal kanten på skiven eller disken holdes i en vinkel på ca. 15° mod arbejdsemnets overflade.

I det tidsrum, hvor en ny skive indkøres, må man ikke arbejde med sliberen i forlæns retning, da dette muligvis vil bevirke, at den skærer ind i arbejdsemnet. Når først et stykke tids anvendelse har rundet kanten af skiven af, kan den anvendes i både forlæns og baglæns retning.

## Anvendelse med slibende afskæringsskive / diamantskive

### Ekstraudstyr

**⚠ ADVARSEL:** Vær påpasselig med ikke at "klemme" skiven eller udsætte den for ekstremt tryk. Forsøg ikke at lave et snit af ekstrem dybde. Et for stort pres på skiven vil øge belastningen og risikoen for at skiven vrider eller binder i snittet samt risikoen for tilbageslag, brud på skiven og overophedning af motoren.

**⚠ ADVARSEL:** Begynd ikke skæringen i arbejdsemnet. Lad skiven komme op på fuld hastighed og gå omhyggeligt ind i snittet, idet maskinen bevæges fremad over arbejdsemnets overflade. Skiven kan binde, presses op eller give tilbageslag, hvis maskinen startes i arbejdsemnet.

**⚠ ADVARSEL:** Under skæring må man aldrig ændre skivens vinkel. Hvis man øver sidelæns tryk på afskæringsskiven (som ved slibning), vil det bevirke, at skiven revner eller brækker med alvorlig tilskadekomst til følge.

**⚠ ADVARSEL:** En diamantskive skal anvendes vinkelret på det materiale, der skæres i.

Eksempel på anvendelse: anvendelse med slibende afskæringsskive

► Fig.20

Eksempel på anvendelse: anvendelse med diamantskive

► Fig.21

## Anvendelse med trådkopbørste

### Ekstraudstyr

**⚠ FORSIGTIG:** Kontroller børstens funktion ved at køre maskinen uden belastning, og sørg for at der ikke befinder sig nogen personer foran eller i forlængelse af børsten.

**BEMÆRKNING:** Undgå, at udøve et for stort tryk, som medfører overbøjning af tråde, når trådkopbørsten anvendes. Det kan muligvis medføre for tidligt brud.

Eksempel på anvendelse: anvendelse med trådkopbørste

► Fig.22

## Anvendelse med trådskeibørste

### Ekstraudstyr

**⚠ FORSIGTIG:** Kontroller trådskeibørstens funktion ved at køre maskinen uden belastning, og sørg for, at der ikke befinder sig nogen personer foran eller i forlængelse af børsten.

**BEMÆRKNING:** Undgå, når trådskeibørsten anvendes, at udøve et for stort tryk, som medfører overbøjning af tråde. Det kan muligvis medføre for tidligt brud.

Eksempel på anvendelse: anvendelse med trådskeibørste

► Fig.23

## VEDLIGEHOJDELSE

**▲FORSIGTIG:** Vær altid sikker på, at værktøjet er slukket, og at akkuen er taget ud, inden De begynder at udføre inspektion eller vedligeholdelse.

**BEMÆRKNING:** Anvend aldrig benzin, rensebenzin, fortynder, alkohol og lignende. Det kan medføre misfarvning, deformation eller revner.

For at opretholde produktets SIKKERHED og PÅLIDELIGHED må reparation, vedligeholdelse eller justering kun udføres af et autoriseret Makita-servicecenter med anvendelse af Makita-reservedele.

## Rengøring af ventilationsåbninger

Maskinen og dens ventilationsåbninger skal altid holdes rene. Rengør maskinens ventilationsåbninger med jævne mellemrum eller når ventilationsåbningerne begynder at blive tilstoppede.

► **Fig.24:** 1. Udstødningsåbning 2. Indsugningsåbning

Fjern støvdækslet fra indsugningsåbningen, og rengør det for uhindret luftcirkulation.

► **Fig.25:** 1. Støvdæksel

**BEMÆRKNING:** Rengør støvdækslet, når det er tilstoppet med støv eller fremmedlegemer. Forsat brug med et tilstoppet støvdæksel kan beskadige maskinen.

## EKSTRAUDSTYR

**▲FORSIGTIG:** Det følgende tilbehør og ekstraudstyr er anbefalet til brug med Deres Makita maskine, der er beskrevet i denne brugsanvisning. Anvendelse af andet tilbehør eller ekstraudstyr kan udgøre en risiko for personskade. Anvend kun tilbehør og ekstraudstyr til det beskrevne formål.

Hvis De behøver hjælp ved valg af tilbehør eller ønsker yderligere informationer, bedes De kontakte Deres lokale Makita servicecenter.

- Original Makita-akku og oplader

► **Fig.26**

1	Håndtag 36
2	Beskyttelsesskærm (til slibeskive)
3	Forsænket centerskive / bladdisk
4	Beskyttelsesskærm (til afskæringskive) *1
5	Slibende afskæringskive / diamantskive
6	Trådskivebørste
7	Trådkopbørste

**BEMÆRK:** \*1 I nogle lande i Europa kan den almindelige beskyttelsesskærm anvendes i stedet for den specielle beskyttelsesskærm, som dækker begge sider af skiven, når man anvender en diamantskive. Følg bestemmelserne i det pågældende land.

**BEMÆRK:** Nogle ting på denne liste kan være inkluderet i værktøjspakken som standardtilbehør. Det kan være forskellige fra land til land.

## ΠΡΟΔΙΑΓΡΑΦΕΣ

<b>Μοντέλο:</b>	<b>DGA521</b>
Διάμετρος τροχού	125 mm (5")
Μέγιστο πάχος τροχού	6 mm
Ονομαστική ταχύτητα (n)	8.500 min <sup>-1</sup>
Συνολικό μήκος	375 mm
Ονομαστική τάση	D.C. 18 V
Καθαρό βάρος	2,4 - 3,0 kg

- Λόγω του συνεχιζόμενου προγράμματος έρευνας και ανάπτυξης, οι προδιαγραφές αυτές υπόκεινται σε αλλαγές χωρίς προειδοποίηση.
- Τα τεχνικά χαρακτηριστικά μπορεί να διαφέρουν από χώρα σε χώρα.
- Το βάρος μπορεί να διαφέρει ανάλογα με τα προσαρτήματα, συμπεριλαμβανοντας την κασέτα μπαταριών. Ο ελαφρύτερος και ο βαρύτερος συνδυασμός, σύμφωνα με τη διαδικασία ΕΡΤΑ 01/2014, παρουσιάζονται στον πίνακα.

## Ισχύουσα κασέτα μπαταριών και φορτιστής

Κασέτα μπαταρίας	BL1815N / BL1820B / BL1830B / BL1840B / BL1850B / BL1860B
Φορτιστής	DC18RC / DC18RD / DC18RE / DC18SD / DC18SE / DC18SF / DC18SH

- Ορισμένες από τις κασέτες και τους φορτιστές μπαταριών που αναγράφονται παραπάνω ίσως να μην είναι διαθέσιμοι, ανάλογα με την τοποθεσία κατοικίας σας.

**⚠ ΠΡΟΕΙΔΟΠΟΙΗΣΗ:** Να χρησιμοποιείτε μόνο τις κασέτες μπαταριών και τους φορτιστές που παρατίθενται ανωτέρω. Η χρήση οποιασδήποτε άλλης κασέτας μπαταριών ή φορτιστή μπορεί να προκαλέσει τραυματισμό ή/και πυρκαγιά.

## Συνιστώμενη ενσύρματη πηγή τροφοδοσίας

Φορητή ηλεκτρική τροφοδότηση	PDC01
------------------------------	-------

- Οι ενσύρματες πηγές τροφοδοσίας που αναγράφονται παραπάνω μπορεί να μην είναι διαθέσιμες, ανάλογα με την περιοχή της κατοικίας σας.
- Πριν χρησιμοποιήσετε την ενσύρματη πηγή τροφοδοσίας, διαβάστε τις οδηγίες και τις ενδείξεις προφυλάξεων που αναγράφονται σε αυτή.

## Προοριζόμενη χρήση

Το εργαλείο προορίζεται για τη λείανση, τρίψιμο, επεξεργασία με συρματόβουρτσα και κοπή μεταλλικών και πέτρινων υλικών χωρίς τη χρήση νερού.

## Θορύβος

Το τυπικό Α επίπεδο καταμετρημένου θορύβου καθορίζεται σύμφωνα με το EN60745-2-3:

Στάθμη ηχητικής πίεσης ( $L_{pA}$ ): 80 dB (A)

Αβεβαιότητα (K): 3 dB (A)

Η ένταση θορύβου υπό συνθήκες εργασίας μπορεί να υπερβεί τα 80 dB (A).

**ΠΑΡΑΤΗΡΗΣΗ:** Η δηλωμένη τιμή(ές) εκπομπής θορύβου έχει μετρηθεί σύμφωνα με την πρότυπη μέθοδο δοκιμής και μπορεί να χρησιμοποιηθεί για τη σύγκριση ενός εργαλείου με κάποιο άλλο.

**ΠΑΡΑΤΗΡΗΣΗ:** Η δηλωμένη τιμή(ές) εκπομπής θορύβου μπορεί να χρησιμοποιηθεί και στην προκαταρκτική αξιολόγηση της έκθεσης.

**⚠ ΠΡΟΕΙΔΟΠΟΙΗΣΗ:** Να φοράτε γυαλιά προστασίας.

**⚠ ΠΡΟΕΙΔΟΠΟΙΗΣΗ:** Η εκπομπή θορύβου κατά τη χρήση του ηλεκτρικού εργαλείου σε πραγματικές συνθήκες μπορεί να διαφέρει από τη δηλωμένη τιμή(ές) ανάλογα με τους τρόπους χρήσης του εργαλείου, ιδιαίτερα το είδος του τεμαχίου εργασίας που υπόκειται επεξεργασία.

**⚠ ΠΡΟΕΙΔΟΠΟΙΗΣΗ:** Φροντίστε να λάβετε τα κατάλληλα μέτρα προστασίας του χειριστή βάσει ενός υπολογισμού της έκθεσης σε πραγματικές συνθήκες χρήσης (λαμβάνοντας υπόψη όλες τις συνιστώσες του κύκλου λειτουργίας όπως τους χρόνους που το εργαλείο είναι εκτός λειτουργίας και όταν βρίσκεται σε αδρανή λειτουργία πέραν του χρόνου ενεργοποίησης).

## Κραδασμός

Η ολική τιμή δόνησης (άθροισμα τρι-αξονικού διανύσματος) καθορίζεται σύμφωνα με το EN60745-2-3:

Είδος εργασίας: λείανση επιφανειών με κανονική πλάγια λαβή

Εκπομπή δόνησης ( $a_{h,AG}$ ): 5,0 m/s<sup>2</sup>

Αβεβαιότητα (K): 1,5 m/s<sup>2</sup>

Είδος εργασίας: λείανση επιφανειών με αντικραδασμική πλάγια λαβή

Εκπομπή δόνησης ( $a_{h,AG}$ ): 6,5 m/s<sup>2</sup>

Αβεβαιότητα (K): 1,5 m/s<sup>2</sup>

Είδος εργασίας: τρίψιμο δίσκου με κανονική πλάγια λαβή

Εκπομπή δόνησης ( $a_{h,AG}$ ): 2,5 m/s<sup>2</sup> ή λιγότερο

Αβεβαιότητα (K): 1,5 m/s<sup>2</sup>

Είδος εργασίας: τρίψιμο δίσκου με αντικραδασμική πλάγια λαβή

Εκπομπή δόνησης ( $a_{h,AG}$ ): 2,5 m/s<sup>2</sup> ή λιγότερο

Αβεβαιότητα (K): 1,5 m/s<sup>2</sup>

**ΠΑΡΑΤΗΡΗΣΗ:** Η δηλωμένη τιμή(ές) συνολικών κραδασμών έχει μετρηθεί σύμφωνα με την πρότυπη μέθοδο δοκιμής και μπορεί να χρησιμοποιηθεί για τη σύγκριση ενός εργαλείου με κάποιο άλλο.

**ΠΑΡΑΤΗΡΗΣΗ:** Η δηλωμένη τιμή(ές) συνολικών κραδασμών μπορεί να χρησιμοποιηθεί και στην προκαταρκτική αξιολόγηση της έκθεσης.

**▲ ΠΡΟΕΙΔΟΠΟΙΗΣΗ:** Η εκπομπή κραδασμών κατά τη χρήση του ηλεκτρικού εργαλείου σε πραγματικές συνθήκες μπορεί να διαφέρει από τη δηλωμένη τιμή(ές) εκπομπής ανάλογα με τους τρόπους χρήσης του εργαλείου, ιδιαίτερα το είδος του τεμαχίου εργασίας που υπόκειται επεξεργασία.

**▲ ΠΡΟΕΙΔΟΠΟΙΗΣΗ:** Φροντίστε να λάβετε τα κατάλληλα μέτρα προστασίας του χειριστή βάσει ενός υπολογισμού της έκθεσης σε πραγματικές συνθήκες χρήσης (λαμβάνοντας υπόψη όλες τις συνιστώσες του κύκλου λειτουργίας όπως τους χρόνους που το εργαλείο είναι εκτός λειτουργίας και όταν βρίσκεται σε αδρανή λειτουργία πέραν του χρόνου ενεργοποίησης).

**▲ ΠΡΟΕΙΔΟΠΟΙΗΣΗ:** Η δηλωμένη τιμή εκπομπής δόνησης χρησιμοποιείται για κύριες εφαρμογές του ηλεκτρικού εργαλείου. Ωστόσο, αν το ηλεκτρικό εργαλείο χρησιμοποιείται για άλλες εφαρμογές, η τιμή εκπομπής δόνησης ενδέχεται να είναι διαφορετική.

## Δήλωση συμμόρφωσης ΕΚ

*Μόνο για χώρες της Ευρώπης*

Η δήλωση συμμόρφωσης ΕΚ περιλαμβάνεται ως Παράρτημα Α στο παρόν χειρίδιο οδηγιών.

## ΠΡΟΕΙΔΟΠΟΙΗΣΕΙΣ ΑΣΦΑΛΕΙΑΣ

### Γενικές προειδοποιήσεις ασφαλείας για το ηλεκτρικό εργαλείο

**▲ ΠΡΟΕΙΔΟΠΟΙΗΣΗ:** Διαβάστε όλες τις προειδοποιήσεις ασφαλείας, οδηγίες, εικονογραφησεις και προδιαγραφές που παρέχονται με αυτό το ηλεκτρικό εργαλείο. Η μη τήρηση όλων των οδηγιών που αναγράφονται κατωτέρω μπορεί να καταλήξει σε ηλεκτροπληξία, πυρκαγιά ή/και σοβαρό τραυματισμό.

### Φυλάξτε όλες τις προειδοποιήσεις και τις οδηγίες για μελλοντική παραπομπή.

Στις προειδοποιήσεις, ο όρος «ηλεκτρικό εργαλείο» αναφέρεται σε ηλεκτρικό εργαλείο που τροφοδοτείται από την κύρια παροχή ηλεκτρικού ρεύματος (με ηλεκτρικό καλώδιο) ή σε ηλεκτρικό εργαλείο που τροφοδοτείται από μπαταρία (χωρίς ηλεκτρικό καλώδιο).

### Προειδοποιήσεις ασφαλείας για τον φορητό λειαντήρα

Προειδοποιήσεις ασφαλείας, κοινές για εργασίες λείανσης, γυαλοχαρτίσματος, καθαρισμού με συρματόβουρσα ή λειαντικής αποκοπής:

1. Αυτό το ηλεκτρικό εργαλείο προορίζεται για χρήση ως εργαλείο λείανσης, γυαλοχαρτίσματος, καθαρισμού με συρματόβουρσα ή κοπής. Διαβάστε όλες τις προειδοποιήσεις ασφαλείας, οδηγίες, εικονογραφησεις και προδιαγραφές που παρέχονται με αυτό το ηλεκτρικό εργαλείο. Αμέλεια να ακολουθήσετε όλες τις οδηγίες που αναγράφονται παρακάτω μπορεί να έχει ως αποτέλεσμα ηλεκτροπληξία, φωτιά ή/και σοβαρό τραυματισμό.
2. Δεν συνιστάται η εκτέλεση εργασιών στίλβωσης με αυτό το ηλεκτρικό εργαλείο. Λειτουργίες για τις οποίες το ηλεκτρικό αυτό εργαλείο δεν έχει σχεδιαστεί μπορεί να δημιουργήσουν κίνδυνο και να προκαλέσουν προσωπικό τραυματισμό.
3. Μη χρησιμοποιείτε εξαρτήματα που δεν είναι ειδικά σχεδιασμένα και συνιστώμενα από τον κατασκευαστή του εργαλείου. Απλώς και μόνο επειδή το εξάρτημα μπορεί να προσαρτηθεί στο ηλεκτρικό εργαλείο, αυτό δεν εξασφαλίζει ασφαλή λειτουργία.
4. Η ονομαστική ταχύτητα του εξαρτήματος πρέπει να είναι τουλάχιστον ίση με την μέγιστη ταχύτητα που είναι σημειωμένη στο ηλεκτρικό εργαλείο. Εξαρτήματα που λειτουργούν ταχύτερα από την ονομαστική ταχύτητα τους μπορεί να σπάσουν και να εκτοξευθούν.
5. Η εξωτερική διάμετρος και το πάχος του εξαρτήματος σας πρέπει να είναι μέσα στα όρια ικανότητας του ηλεκτρικού εργαλείου σας. Εξαρτήματα μη σωστού μεγέθους δεν μπορούν να προφυλαχθούν ή να ελεγχθούν επαρκώς.

6. **Η στερéωση με σπείρωμα των εξαρτημάτων πρέπει να ταιριάζει με το σπείρωμα ατράκτου του λειαντήρα.** Για εξαρτήματα στερεωμένα με φλάντζες, η σπή προσαρμογής του εξαρτήματος πρέπει να ταιριάζει με τη διάμετρο εντοπισμού της φλάντζας. Τα εξαρτήματα που δεν ταιριάζουν με το εξάρτημα στερéωσης του ηλεκτρικού εργαλείου θα παρουσιάσουν υποβαθμισμένη ζυγοστάθμιση, υπερβολικούς κραδασμούς και ενδεχομένως απώλεια ελέγχου.
  7. **Μη χρησιμοποιείτε εξάρτημα που έχει υποστεί βλάβη.** Πριν από κάθε χρήση, να εξετάζετε το εξάρτημα, όπως λειαντικούς τροχούς, για ρινίσματα και ρωγμές, τη βάση υποστήριξης για ρωγμές, ρήξη ή υπερβολική φθορά, τη συρματοβούρτσα για χαλαρά ή ραγισμένα σύρματα. **Αν το ηλεκτρικό εργαλείο ή το εξάρτημα πέσει κάτω, ελέγξτε το για ζημιές ή προσαρμόστε ένα καλό εξάρτημα.** Μετά τον έλεγχο και την προσαρμογή ενός εξαρτήματος, απομακρυνθείτε εσείς και οι γύρω σας από το επίπεδο περιστροφής του εξαρτήματος και αφήστε σε λειτουργία το ηλεκτρικό εργαλείο σε μέγιστη ταχύτητα χωρίς φορτίο για ένα λεπτό. Εξαρτήματα με ζημιές θα διαλυθούν κατά τον χρόνο αυτής της δοκιμής.
  8. **Να φοράτε ατομικό εξοπλισμό προστασίας.** Ανάλογα με την εφαρμογή, να χρησιμοποιείτε προσωπικά προστασίας, προστατευτικά γυαλιά-προσωπίδες ή γυαλιά προστασίας. Όταν απαιτείται, να φοράτε μάσκα σκόνης, προστατευτικά ακοής, γάντια και ποδιά συνεργείου ικανά να παρέχουν προστασία από τα εκτινασόμενα μικρά θραύσματα λόγω της λείανσης ή του τεμαχίου εργασίας. Τα προστατευτικά ματιών πρέπει να είναι ικανά να σταματήσουν τυχόν εκτινασόμενα θραύσματα που δημιουργούνται κατά την εκτέλεση διαφόρων εργασιών. Η μάσκα σκόνης ή αναπνευστήρας πρέπει να είναι ικανή να φιλτράρει σωματίδια παραγόμενα από τις λειτουργίες σας. Η παρατεταμένη έκθεση σε θόρυβο υψηλής έντασης μπορεί να προκαλέσει απώλεια ακοής.
  9. **Κρατάτε τους γύρω σας σε μια ασφαλή απόσταση από τον χώρο εργασίας.** Οποιοσδήποτε εισερχόμενος στο χώρο εργασίας πρέπει να φορά ατομικό προστατευτικό εξοπλισμό. Τεμαχίδια από το τεμάχιο εργασίας ή από ένα σπασμένο εξάρτημα μπορεί να εκτιναχθούν μακριά και να προκαλέσουν τραυματισμό πέραν της άμεσης περιοχής εργασίας.
  10. **Κρατάτε το ηλεκτρικό εργαλείο μόνο από τις μονωμένες επιφάνειες χειρολαβής όταν εκτελείτε μια εργασία κατά την οποία το κοπτικό εργαλείο μπορεί να έρθει σε επαφή με κρυμμένα καλώδια.** Αν γίνει επαφή με κάποιο ηλεκτροφόρο καλώδιο, τα εκτεθειμένα μεταλλικά μέρη του ηλεκτρικού εργαλείου θα γίνουν και αυτά ηλεκτροφόρα και μπορεί να προκληθεί ηλεκτροπληξία στο χειριστή.
  11. **Μην τοποθετείτε ποτέ το ηλεκτρικό εργαλείο κάτω μέχρι το εξάρτημα να έχει σταματήσει τελείως.** Το περιστρεφόμενο εξάρτημα μπορεί να πιάσει την επιφάνεια και να τραβήξει το ηλεκτρικό εργαλείο έξω από τον έλεγχο σας.
  12. **Μη χειρίζεστε το ηλεκτρικό εργαλείο ενώ το μεταφέρετε στο πλευρό σας.** Τυχαιά επαφή με το περιστρεφόμενο εξάρτημα μπορεί να προκαλέσει πιάσιμο στα ρούχα σας και να τραβήξει το εξάρτημα μέσα στο σώμα σας.
  13. **Καθαρίζετε τακτικά τα ανοίγματα εξαερισμού του ηλεκτρικού εργαλείου.** Ο ανεμιστήρας του μοτέρ θα αναρροφήσει τη σκόνη μέσα στο περίβλημα και η υπερβολική συγκέντρωση ρινισμάτων μετάλλου μπορεί να προκαλέσει κίνδυνο ηλεκτροπληξίας.
  14. **Μη χειρίζεστε το ηλεκτρικό εργαλείο κοντά σε εύφλεκτα υλικά.** Σπινθήρες μπορεί να αναφλέξουν τα υλικά αυτά.
  15. **Μη χρησιμοποιείτε εξαρτήματα που χρειάζονται ψυκτικά υγρά.** Η χρήση νερού ή άλλων ψυκτικών υγρών μπορεί να προκαλέσουν ηλεκτροπληξία ή σοκ.
- Κλότσημα και σχετικές προειδοποιήσεις**  
 Το κλότσημα είναι μια ξαφνική αντίδραση του εργαλείου λόγω σύσφιγξης ή σκαλώματος του περιστρεφόμενου τροχού, της βάσης υποστήριξης, της βούρτσας ή τυχόν άλλου εξαρτήματος. Η σύσφιξη ή το σκάλωμα προκαλεί ταχεία απώλεια ελέγχου του περιστρεφόμενου εξαρτήματος το οποίο στη συνέχεια υποχρεώνει το ανεξέλεγκτο ηλεκτρικό εργαλείο σε περιστροφή αντίθετη από εκείνη του εξαρτήματος στο σημείο εμπλοκής. Για παράδειγμα, αν ένας λειαντικός τροχός περιέλθει σε σύσφιξη ή σκάλωμα στο τεμάχιο εργασίας, η ακμή του τροχού που εισέρχεται στο σημείο σύσφιγξης μπορεί να σκάψει την επιφάνεια του υλικού προκαλώντας την αναπήδηση ή το κλότσημα του τροχού. Ο τροχός μπορεί να αναπηδήσει προς το μέρος του χειριστή ή αντίθετα να απομακρυνθεί από αυτόν, ανάλογα με τη φορά περιστροφής του τροχού στο σημείο σύσφιγξης. Υπό αυτές τις συνθήκες, οι λειαντικοί τροχοί μπορεί επίσης να υποστούν θραύση.
- Το κλότσημα είναι αποτέλεσμα κακής χρήσης του ηλεκτρικού εργαλείου ή/και εσφαλμένων χειρισμών ή συνθηκών και μπορεί να αποφευχθεί με τις κατάλληλες προφυλάξεις όπως δίνονται παρακάτω.
1. **Κρατάτε σταθερά το ηλεκτρικό εργαλείο και τοποθετήστε το σώμα σας και τον βραχίονα έτσι ώστε να ανθίστανται στις δυνάμεις του κλοστήματος.** Να χρησιμοποιείτε πάντα βοηθητική λαβή, αν παρέχετε, για μέγιστο βαθμό ελέγχου του κλοστήματος ή της ροπής αντίδρασης κατά την εκκίνηση. Ο χειριστής μπορεί να ελέγχει τις αντιδράσεις ροπής ή δυνάμεως κλοστήματος, αν έχουν ληφθεί οι κατάλληλες προφυλάξεις.
  2. **Ποτέ μη βάλτε το χέρι σας κοντά στο περιστρεφόμενο εξάρτημα.** Το εξάρτημα μπορεί να κλοστήσει στο χέρι σας.
  3. **Μη τοποθετήσετε το σώμα σας στην περιοχή όπου το ηλεκτρικό εργαλείο θα κινηθεί αν συμβεί κλότσημα.** Το κλότσημα θα οδηγήσει το εργαλείο σε διεύθυνση αντίθετη της κίνησης του τροχού στο σημείο εμπλοκής.
  4. **Δώστε ιδιαίτερη προσοχή όταν εργάζεστε σε γωνίες, κοφτερές ακμές, κλπ. Να αποφεύγετε την αναπήδηση και το σκάλωμα του εξαρτήματος.** Γωνίες, αιχμηρές άκρες ή αναπηδήσεις έχουν την τάση να προκαλούν εμπλοκή στο περιστρεφόμενο εξάρτημα και προκαλούν απώλεια ελέγχου ή κλότσημα.
  5. **Μην προσαρμόζετε αλυσόπριονο, λεπίδα ξυλογλυπτικής ή λάμα πριονιού με δόντια.** Τέτοιες λάμες προκαλούν συχνό κλότσημα και απώλεια ελέγχου.

## Προειδοποιήσεις ασφαλείας ειδικά για εργασίες λείανσης και κοπής:

1. **Να χρησιμοποιείτε μόνο τύπους τροχών που συνιστώνται για χρήση με το δικό σας ηλεκτρικό εργαλείο και το συγκεκριμένο προφυλακτήρα που έχει σχεδιαστεί για τον επιλεγμένο τροχό.** Η παροχή επαρκούς προστασίας από τροχούς για τους οποίους δεν έχει σχεδιαστεί το ηλεκτρικό εργαλείο, δεν είναι δυνατή και επομένως οι τροχοί δεν είναι ασφαλείς.
2. **Η επιφάνεια λείανσης των τροχών με χαμηλωμένο κέντρο πρέπει να είναι στερεωμένη κάτω από το επίπεδο του προστατευτικού χείλους.** Ένας τροχός που δεν είναι στερεωμένος καλά ο οποίος προεξέχει μέσα από το επίπεδο του προστατευτικού χείλους δεν μπορεί να προστατευτεί επαρκώς.
3. **Η προσαρμογή του προφυλακτήρα στο ηλεκτρικό εργαλείο πρέπει να πραγματοποιείται με ασφάλεια και η τοποθέτηση του να παρέχει τη μέγιστη δυνατή προστασία, ώστε ελάχιστο τμήμα του τροχού να εκτίθεται προς το μέρος του χειριστή.** Ο προφυλακτήρας διευκολύνει την προστασία του χειριστή από απασμένα θραύσματα του τροχού, τυχαία επαφή με τον τροχό και σπινθήρες που μπορούν να προκαλέσουν την ανάφλεξη ρουχισμού.
4. **Οι τροχοί πρέπει να χρησιμοποιούνται μόνο στις προβλεπόμενες εφαρμογές. Για παράδειγμα: μη λειανίστε με την πλευρική επιφάνεια του τροχού αποκοπής.** Οι τροχοί λείανσης κοπής προορίζονται για περιφερειακή λείανση, η εφαρμογή πλευρικών δυνάμεων σε αυτούς τους τροχούς μπορεί να προκαλέσει τη θραύση τους.
5. **Να χρησιμοποιείτε πάντα φλάντζες τροχών που δεν έχουν υποστεί βλάβη και είναι κατάλληλου μεγέθους και σχήματος για τον επιλεγμένο τροχό.** Οι κατάλληλες φλάντζες τροχών υποστηρίζουν τους τροχούς και μειώνουν επομένως την πιθανότητα θραύσης τους. Οι φλάντζες των τροχών κοπής μπορεί να διαφέρουν από τις φλάντζες των τροχών λείανσης.
6. **Μη χρησιμοποιείτε φθαρμένους τροχούς από μεγαλύτερα ηλεκτρικά εργαλεία.** Ένας τροχός που προορίζεται για χρήση με ένα μεγαλύτερο ηλεκτρικό εργαλείο δεν είναι κατάλληλος για την υψηλότερη ταχύτητα ενός μικρότερου εργαλείου και μπορεί να υποστεί θραύση.

## Επιπλέον προειδοποιήσεις ασφαλείας ειδικά για εργασίες λειαντικής αποκοπής:

1. **Μην προκαλείτε «μάγκωμα» του τροχού κοπής και μην ασκείτε υπερβολική πίεση.** Μην επιχειρείτε να δημιουργήσετε τομή υπερβολικού βάθους. Η άσκηση υπερβολικής δύναμης στον τροχό αυξάνει το φορτίο και τη δεκτικότητα σε συστραφή ή εμπλοκή του τροχού εντός της τομής και την πιθανότητα κλοστήματος ή θραύσης του τροχού.
2. **Μην ευθυγραμμίζετε το σώμα σας μπροστά ή πίσω από τον περιστρεφόμενο τροχό.** Όταν ο τροχός, στο σημείο εργασίας, κινείται απομακρυνόμενος από το σώμα σας, τυχόν κλοστήματος μπορεί να κατευθύνει τον περιστρεφόμενο τροχό και το ηλεκτρικό εργαλείο προς το μέρος σας.

3. **Σε περίπτωση εμπλοκής του τροχού ή διακοπής της εργασίας για τη δημιουργία τομής για οποιοδήποτε λόγο, απενεργοποιήστε το ηλεκτρικό εργαλείο και κρατήστε το ακίνητο, έως ότου ο τροχός ακινητοποιηθεί πλήρως. Μην επιχειρήσετε ποτέ να αφαιρέσετε τον τροχό κοπής από την τομή ενώ ο τροχός κινείται, διότι μπορεί να παρουσιαστεί κλότσημα.** Εξευλαφθείτε και λάβετε διορθωτικά μέτρα για να ελαφρυνθεί η αιτία εμπλοκής του τροχού.
4. **Μην επαναλάβετε την εργασία κοπής στο τεμάχιο εργασίας. Αφήστε τον τροχό να αποκτήσει μέγιστη ταχύτητα και επανεισάγετε το δίσκο στην τομή με προσοχή.** Ο τροχός μπορεί να παρουσιάσει εμπλοκή, αναπήδηση ή κλότσημα αν ενεργοποιηθεί το ηλεκτρικό εργαλείο εντός του τεμαχίου εργασίας.
5. **Να στηρίζετε τα φανώματα ή οποιοδήποτε υπερμέγεθες τεμάχιο εργασίας ώστε να ελαχιστοποιηθεί ο κίνδυνος σύσφιξης και κλοστήματος του τροχού.** Τα μεγάλα τεμάχια εργασίας τείνουν να παρουσιάζουν κάμψη προς τα κάτω λόγω του βάρους τους. Πρέπει να τοποθετούνται υποστηρίγματα κάτω από το τεμάχιο εργασίας κοντά στη γραμμή κοπής και κοντά στο άκρο του τεμαχίου εργασίας σε αμφότερες τις πλευρές του τροχού.
6. **Να είστε ιδιαίτερα προσεκτικοί όταν δημιουργείτε μια «τομή-κοιλότητα» σε υπάρχοντες τούχους ή άλλες τυφλές περιοχές.** Ο προεξέχων τροχός μπορεί να κόψει σωλίνες αερίου ή ύδρευσης, ηλεκτρικές καλωδιώσεις ή αντικείμενα που μπορούν να προκαλέσουν κλότσημα.

## Προειδοποιήσεις ασφαλείας ειδικά για εργασίες γυαλόχαρτισματος:

1. **Μη χρησιμοποιείτε υπερβολικά μεγάλυτερο μέγεθος δίσκου γυαλόχαρτισματος.** Ακολουθήστε τις συστάσεις του κατασκευαστή, όταν επιλέγετε γυαλόχαρτο. Ένα γυαλόχαρτο μεγαλύτερο μεγέθους που εκτείνεται πέρα από τα άκρα της βάσης υποστήριξης γυαλόχαρτισματος εγκυμονεί κίνδυνο τεμαχισμού και μπορεί να προκαλέσει σκάλωμα, σχίσμο του δίσκου ή κλότσημα.

## Προειδοποιήσεις ασφαλείας ειδικά για εργασίες καθαρισμού με συρματόβουρτσα:

1. **Να είστε προσεκτικοί επειδή συρματινές τρίχες εκτινάσσονται από τη βούρτσα ακόμη και κάτω από συνήθεις συνθήκες λειτουργίας. Μην ασκείτε υπερβολική δύναμη στα σύρματα εφαρμόζοντας υπερβολικό φορτίο στη βούρτσα.** Οι συρματινές τρίχες μπορούν να διαπεράσουν ελαφρά ρουχισμό ή/και το δέρμα με ευκολία.
2. **Αν συνιστάται η χρήση προφυλακτήρα για εργασίες καθαρισμού με συρματόβουρτσα, μην επιτρέπετε οποιαδήποτε παρεμπόδιση της λειτουργίας του συρματινού τροχού ή της βούρτσας από τον προφυλακτήρα.** Η διάμετρος ενός συρματινού τροχού ή βούρτσας μπορεί να αυξηθεί λόγω του φόρτου εργασίας και της ψυγκέντρου δύναμης.

## Πρόσθετες προειδοποιήσεις ασφάλειας:

1. **Όταν χρησιμοποιείτε τροχούς λείανσης με χαμηλό κέντρο, φροντίστε οι τροχοί να φέρουν ενίσχυση από ίνες γυαλιού μόνο.**
2. **Μην ΧΡΗΣΙΜΟΠΟΙΕΙΤΕ ΠΟΤΕ κωδωνοειδείς τροχούς λείανσης πέτρας με αυτόν τον λειαντήρα.** Αυτός ο λειαντήρας δεν έχει σχεδιαστεί για αυτούς τους τύπους τροχών και η χρήση ενός τέτοιου προϊόντος μπορεί να προκαλέσει σοβαρό τραυματισμό.



## Σημαντικές οδηγίες ασφάλειας για κασέτα μπαταριών

3. Προσέχετε να μην προκαλέσετε ζημιά στο υποδοχέα X-LOCK. Τυχόν βλάβη στα μέρη θα μπορούσε να καταλήξει σε θραύση του τροχού.
4. Φροντίστε ο τροχός να μην έρχεται σε επαφή με το τεμάχιο εργασίας πριν από την ενεργοποίηση του διακόπτη.
5. Πριν από τη χρήση του τροχού πάνω σε πραγματικό τεμάχιο εργασίας, αφίστε τον σε λειτουργία για μικρό χρονικό διάστημα. Παρατηρήστε αν υπάρχουν δονήσεις ή ταλάντευση που υποδηλώνουν κακή εγκατάσταση ή τροχό με κακή ισορροπία.
6. Χρησιμοποιήστε την προκαθορισμένη επιφάνεια του τροχού για να εκτελέσετε την εργασία λείανσης.
7. Μην αφήνετε το εργαλείο αναμμένο. Χειρίζεστε το εργαλείο μόνο όταν το κρατάτε στο χέρι.
8. Μην αγγίζετε το τεμάχιο εργασίας αμέσως μετά τη λειτουργία. Μπορεί να είναι υπερβολικά καυτό και να προκαλέσει έγκαυμα.
9. Μην αγγίζετε τα εξαρτήματα αμέσως μετά τη λειτουργία. Μπορεί να είναι υπερβολικά καυτό και να προκαλέσει έγκαυμα στο δέρμα σας.
10. Μελετήστε τις οδηγίες του κατασκευαστή για σωστή τοποθέτηση και χρήση των τροχών. Χειριστείτε και αποθηκεύστε τους τροχούς με φροντίδα.
11. Μη χρησιμοποιείτε ξεχωριστές συστολές ή προσαρμογείς για να προσαρμόσετε λειαντικούς τροχούς με μεγάλη σππή προσαρμογής.
12. Ελέγξτε ότι το τεμάχιο εργασίας υποστηρίζεται σταθερά.
13. Προσέξτε ότι ο τροχός συνεχίζει να περιστρέφεται ακόμη και αφού το εργαλείο έχει σβήσει.
14. Αν το μέρος εργασίας είναι πολύ ζεστό και υγρό, ή υπάρχει πολύ αβγίμη σκόνη, χρησιμοποιήστε ένα ασφαλειοδιακόπτη βραχυκυκλώματος (30 mA) για να είστε σίγουροι για ασφαλή λειτουργία.
15. Μη χρησιμοποιείτε το εργαλείο σε κανένα υλικό που περιέχει αμιάντο.
16. Όταν χρησιμοποιείτε τροχό κοπής, να εργάζεστε πάντα με προφυλακτήρα τροχού συλλογής σκόνης όπως απαιτείται από τους τοπικούς κανονισμούς.
17. Οι δίσκοι κοπής δεν πρέπει να υπόκεινται σε πλευρική πίεση.
18. Μη χρησιμοποιείτε υφασμάτινα γάντια εργασίας κατά τη λειτουργία. Οι ίνες από τα υφασμάτινα γάντια μπορεί να εισέλθουν στο εργαλείο, γεγονός που προκαλεί το στάσιμο του εργαλείου.
19. Πριν τη λειτουργία, βεβαιωθείτε ότι δεν υπάρχει κάποιο θαμμένο αντικείμενο όπως ηλεκτρικός σωλήνας, σωλήνας νερού ή σωλήνας αερίου στο τεμάχιο εργασίας. Διαφορετικά, μπορεί να προκληθεί ηλεκτροπληξία, ηλεκτρική διαρροή ή διαρροή αερίου.

## ΦΥΛΑΞΕΤΕ ΑΥΤΕΣ ΤΙΣ ΟΔΗΓΙΕΣ.

**⚠️ ΠΡΟΕΙΔΟΠΟΙΗΣΗ:** ΜΗΝ επιτρέψετε στην άνεση ή στην εξοικειώσή σας με το προϊόν (που αποκτήθηκε από επανειλημμένη χρήση) να αντικαταστήσει την αυστηρή τήρηση των κανόνων ασφαλείας που παρόντος εργαλείου. Η **ΛΑΝΘΑΣΜΕΝΗ ΧΡΗΣΗ** ή η αμέλεια να ακολουθήσετε τους κανόνες ασφάλειας που διατυπώνονται στο παρόν εγχειρίδιο οδηγιών μπορεί να προκαλέσει σοβαρό προσωπικό τραυματισμό.

1. Πριν χρησιμοποιήσετε την κασέτα μπαταριών, διαβάστε όλες τις οδηγίες και σημειώσεις προφύλαξης (1) στον φορτιστή μπαταριών, (2) στην μπαταρία και (3) στο προϊόν που χρησιμοποιείτε την μπαταρία.
2. Μην αποσυναρμολογήσετε ή παραβιάσετε την κασέτα μπαταριών. Μπορεί να έχει ως αποτέλεσμα πυρκαγιά, υπερθέρμανση ή έκρηξη.
3. Εάν ο χρόνος λειτουργίας έχει γίνει υπερβολικά βραχύς, σταματήστε τη λειτουργία αμέσως. Αλλιώς, μπορεί να έχει ως αποτέλεσμα κίνδυνο υπερθέρμανσης, πιθανά εγκαύματα ή ακόμη και έκρηξη.
4. Εάν ηλεκτρολύτης μπει στα μάτια σας, ξεπλύνετε τα με καθαρό νερό και ζητήστε ιατρική φροντίδα αμέσως. Αλλιώς, μπορεί να έχει ως αποτέλεσμα απώλεια της όρασης σας.
5. Μη βραχυκυκλώνετε την κασέτα μπαταριών:
  - (1) Μην αγγίζετε τους πόλους με οτιδήποτε αγώγιμο υλικό.
  - (2) Αποφύγετε να αποθηκεύετε την κασέτα μπαταριών μέσα σε ένα δοχείο μαζί με άλλα μεταλλικά αντικείμενα όπως καρφιά, νομίσματα, κλπ.
  - (3) Μην εκθέτετε την κασέτα μπαταριών στο νερό ή στη βροχή.Ένα βραχυκύκλωμα μπαταρίας μπορεί να προκαλέσει μεγάλη ροή ρεύματος, υπερθέρμανση, πιθανά εγκαύματα ακόμη και σοβαρή βλάβη.
6. Μη αποθηκεύετε και μην χρησιμοποιείτε το εργαλείο και την κασέτα μπαταριών σε τοποθεσίες όπου η θερμοκρασία μπορεί να φτάσει ή να ξεπεράσει τους 50°C.
7. Μην καίτε την κασέτα μπαταριών ακόμη και εάν έχει σοβαρή ζημιά ή είναι εντελώς φθαρμένη. Η κασέτα μπαταριών μπορεί να εκραγεί στη φωτιά.
8. Μην καρφώσετε, κόψετε, συνθλίψετε, πετάξετε ή ριζέτε κάτω την κασέτα μπαταριών, ούτε να χτυπήσετε στα σκληρά αντικείμενα επάνω στην κασέτα μπαταριών. Τέτοια συμπεριφορά μπορεί να έχει ως αποτέλεσμα πυρκαγιά, υπερθέρμανση ή έκρηξη.
9. Μη χρησιμοποιείτε μπαταρία που έχει υποστεί ζημιά.
10. Οι μπαταρίες ιόντων λιθίου που περιέχονται υπόκεινται στις απαιτήσεις της νομοθεσίας για επικίνδυνα αγαθά.

Για εμπορικές μεταφορές, για παράδειγμα από τρίτα μέρη, πρέπει να τηρούνται οι διαμεταφορές, οι ειδικές απαιτήσεις στη συσκευασία και η επισήμανση.

Για προετοιμασία του στοιχείου που αποστέλλεται, είναι απαραίτητο να συμβουλευτείτε έναν ειδικό για επικίνδυνα υλικά. Επίσης, τηρήστε τους πιθανούς, πιο αναλυτικούς εθνικούς κανονισμούς. Καλύψτε με αυτοκόλλητη ταινία ή κρύψτε τις ανοικτές επαφές και συσκευάστε την μπαταρία με τρόπο που να μην μπορεί να μετακινείται μέσα στη συσκευασία.

- Όταν απορρίπτετε την κασέτα μπαταριών, αφαιρέστε την από το εργαλείο και διαθέστε την σε ένα ασφαλές μέρος. Τηρήστε τους τοπικούς κανονισμούς που σχετίζονται με τη διάθεση της μπαταρίας.
- Χρησιμοποιήστε τις μπαταρίες μόνο με τα προϊόντα που καθορίζει η Makita. Αν τοποθετήσετε τις μπαταρίες σε μη συμβατά προϊόντα μπορεί να έχει ως αποτέλεσμα πυρκαγιά, υπερβολική θερμότητα, έκρηξη ή διαρροή ηλεκτρολύτη.
- Αν δεν χρησιμοποιείτε το εργαλείο για μεγάλο χρονικό διάστημα, πρέπει να βγάλετε την μπαταρία από το εργαλείο.
- Κατά τη διάρκεια και μετά τη χρήση, η κασέτα μπαταριών μπορεί να θερμανθεί, γεγονός που μπορεί να προκαλέσει εγκαύματα ή εγκαύματα από χαμηλή θερμοκρασία. Προσέχετε το χειρισμό των ζεστών κασετών μπαταριών.
- Μην αγγίζετε τον ακροδέκτη του εργαλείου αμέσως μετά τη χρήση επειδή μπορεί να έχει ζεσταθεί αρκετά για να προκαλέσει εγκαύματα.
- Μην αφήνετε θραύσματα, σκόνη ή βρομιά να κολλήσει στους ακροδέκτες, τις σπές και τις εγκοπές της κασέτας μπαταριών. Μπορεί να έχει ως αποτέλεσμα κακή απόδοση ή στάσιμο του εργαλείου ή της κασέτας μπαταριών.
- Εκτός αν το εργαλείο υποστηρίζει τη χρήση κοντά σε ηλεκτρικές γραμμές υψηλής τάσης, μην χρησιμοποιείτε την κασέτα μπαταριών κοντά σε ηλεκτρικές γραμμές υψηλής τάσης. Μπορεί να έχει ως αποτέλεσμα δυσλειτουργία ή στάσιμο του εργαλείου ή της κασέτας μπαταριών.
- Κρφυλάξτε την μπαταρία μακριά από παιδιά.

## ΦΥΛΑΞΤΕ ΤΙΣ ΟΔΗΓΙΕΣ ΑΥΤΕΣ.

**▲ΠΡΟΣΟΧΗ:** Να χρησιμοποιείτε μόνο γνήσιες μπαταρίες της Makita. Η χρήση μη γνήσιων μπαταριών Makita, ή μπαταριών που έχουν τροποποιηθεί, μπορεί να έχει ως αποτέλεσμα τη ρήξη της μπαταρίας, προκαλώντας πυρκαγιά, προσωπικό τραυματισμό και βλάβη. Επίσης, θα ακυρωθεί η εγγύηση της Makita για το εργαλείο και φορτιστή Makita.

## Συμβουλές για τη διατήρηση της μέγιστης ζωής μπαταρίας

- Φορτίζετε την κασέτα μπαταριών πριν από την πλήρη αποφόρτιση της. Πάντοτε να σταματάτε τη λειτουργία του εργαλείου και να φορτίζετε την κασέτα μπαταριών όταν παρατηρείτε μειωμένη ισχύ εργαλείου.
- Ποτέ μην επαναφορτίζετε μια πλήρως φορτισμένη κασέτα μπαταριών. Η υπερφόρτιση μειώνει την ωφέλιμη ζωή της μπαταρίας.
- Να φορτίζετε την κασέτα μπαταριών σε θερμοκρασία δωματίου, δηλαδή στους 10 °C έως 40 °C. Αφήστε μια θερμή κασέτα μπαταριών να κρυώσει πριν την φορτίσετε.
- Όταν δεν χρησιμοποιείτε την κασέτα μπαταριών, αφαιρέστε την από το εργαλείο ή τον φορτιστή.
- Να φορτίζετε την κασέτα μπαταριών εάν δεν τη χρησιμοποιείτε για μεγάλη χρονική περίοδο (περισσότερο από έξι μήνες).

## ΠΕΡΙΓΡΑΦΗ ΛΕΙΤΟΥΡΓΙΑΣ

**▲ΠΡΟΣΟΧΗ:** Να φροντίζετε πάντα για την απενεργοποίηση του εργαλείου και την αφαίρεση της κασέτας μπαταρίας, πριν από οποιαδήποτε ρύθμιση ή έλεγχο της λειτουργίας του.

## Τοποθέτηση ή αφαίρεση της κασέτας μπαταριών

**▲ΠΡΟΣΟΧΗ:** Να σβήνετε πάντα το εργαλείο πριν τοποθετήσετε ή αφαιρέσετε την κασέτα μπαταριών.

**▲ΠΡΟΣΟΧΗ:** Κρατήστε το εργαλείο και την κασέτα μπαταριών σταθερά κατά την τοποθέτηση ή αφαίρεση της κασέτας μπαταριών. Εάν δεν κρατάτε το εργαλείο και την κασέτα μπαταριών σταθερά μπορεί να γλιστρήσουν από τα χέρια σας και να προκληθεί βλάβη στο εργαλείο και την κασέτα μπαταριών και προσωπικός τραυματισμός.

► **Εικ. 1:** 1. Κόκκινος δείκτης 2. Κουμπί 3. Κασέτα μπαταριών

Για να αφαιρέσετε την κασέτα μπαταριών, ολισθήστε την από το εργαλείο ενώ σύρετε το κουμπί στο μπροστινό μέρος της κασέτας.

Για να τοποθετήσετε την κασέτα μπαταριών, ευθυγραμμίστε τη γλώσσα στην κασέτα μπαταριών με την εγκοπή στο περίβλημα και ολισθήστε τη στη θέση της. Τοποθετήστε την μέχρι τέρμα μέχρι να ασφαλίσει στη θέση της, γεγονός που υποδεικνύεται με ένα χαρακτηριστικό ήχο. Αν μπορείτε να δείτε τον κόκκινο δείκτη όπως απεικονίζεται στην εικόνα, δεν έχει κλειδώσει τελείως.

**▲ΠΡΟΣΟΧΗ:** Να τοποθετείτε πάντα την κασέτα μπαταριών πλήρως μέχρι να μη βλέπετε τον κόκκινο δείκτη. Εάν δεν ασφαλίσει, μπορεί να πέσει από το εργαλείο τυχαία, προκαλώντας σωματική βλάβη σε εσάς ή κάποιον άλλο γύρω σας.

**▲ΠΡΟΣΟΧΗ:** Μην τοποθετείτε την κασέτα μπαταριών με βία. Εάν η κασέτα δεν ολισθαίνει με ευκολία, τότε δεν έχει τοποθετηθεί κατάλληλα.

## Εμφάνιση υπολειπόμενης χωρητικότητας μπαταρίας

*Μόνο για κασέτες μπαταρίας με την ενδεικτική λυχνία*

► **Εικ.2:** 1. Ενδεικτικές λυχνίες 2. Κουμπί ελέγχου

Πιέστε το κουμπί ελέγχου στην κασέτα μπαταριών για να υποδείξετε την υπολειπόμενη χωρητικότητα μπαταρίας. Οι ενδεικτικές λυχνίες ανάβουν για λίγα δευτερόλεπτα.

Ενδεικτικές Λυχνίες			Υπολειπόμενη χωρητικότητα
Αναμμένες	Σβηστές	Αναβοσβήνουν	
■	□	◐	75% έως 100%
■ ■ ■ ■			50% έως 75%
■ ■	□ □		25% έως 50%
■	□ □ □ □		0% έως 25%
◐	□ □ □ □		Φορτίστε την μπαταρία.
■ ■ □ □	□ □		Μπορεί να προέκυψε δυσλειτουργία στην μπαταρία.
□ □ ■ ■			

**ΠΑΡΑΤΗΡΗΣΗ:** Ανάλογα με τις συνθήκες χρήσης και τη θερμοκρασία περιβάλλοντος, η ένδειξη μπορεί να διαφέρει λίγο από την πραγματική χωρητικότητα.

**ΠΑΡΑΤΗΡΗΣΗ:** Η πρώτη (τέρμα αριστερά) ενδεικτική λυχνία θα αναβοσβήνει όταν λειτουργεί το σύστημα προστασίας μπαταρίας.

## Υπόδειξη υπόλοιπης χωρητικότητας μπαταρίας

Όταν ενεργοποιείτε το εργαλείο, η ένδειξη μπαταρίας δείχνει την υπολειπόμενη φόρτιση μπαταρίας.

► **Εικ.3: 1.** Ένδειξη μπαταρίας

Η υπολειπόμενη φόρτιση μπαταρίας εμφανίζεται σύμφωνα με τον ακόλουθο πίνακα.

Κατάσταση ένδειξης μπαταρίας			Υπολειπόμενη χωρητικότητα μπαταρίας
Αναμμένες	Σβηστές	Αναβοσβήνουν	
			50% έως 100%
			20% έως 50%
			0% έως 20%
			Φορτίστε την μπαταρία

## Σύστημα προστασίας εργαλείου/ μπαταρίας

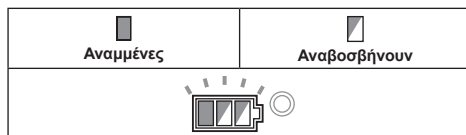
Το εργαλείο είναι εξοπλισμένο με σύστημα προστασίας εργαλείου/μπαταρίας. Αυτό το σύστημα αποκόπτει αυτόματα την ισχύ προς το μοτέρ για να παραταθεί η διάρκεια λειτουργίας του εργαλείου και της μπαταρίας. Το εργαλείο σταματάει αυτόματα κατά τη διάρκεια της λειτουργίας εάν το εργαλείο ή η μπαταρία βρεθούν κάτω από τις παρακάτω συνθήκες:

### Προστασία υπερφόρτωσης

Όταν το εργαλείο/μπαταρία λειτουργεί με τρόπο ώστε να αναγκάζεται να καταναλώνει ασυνήθιστα υψηλό ρεύμα, το εργαλείο σταματάει αυτόματα χωρίς καμία ένδειξη. Σε αυτή την κατάσταση, απενεργοποιήστε το εργαλείο και διακόψτε την εφαρμογή που προκαλεί την υπερφόρτωση του εργαλείου. Μετά, ενεργοποιήστε το εργαλείο για επανεκκίνηση.

### Προστασία υπερθέρμανσης

Όταν το εργαλείο υπερθερμανθεί, το εργαλείο σταματάει αυτόματα και η ένδειξη μπαταρίας δείχνει την ακόλουθη κατάσταση. Σε αυτή την κατάσταση, αφήστε το εργαλείο να ψυχθεί πριν ενεργοποιήσετε ξανά το εργαλείο.



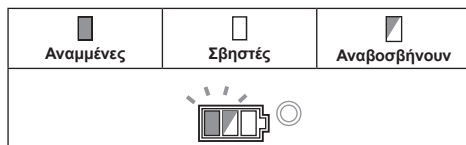
Αν το εργαλείο δεν ξεκινάει, η μπαταρία μπορεί να έχει υπερθερμανθεί. Σε αυτή την κατάσταση, αφήστε την μπαταρία να κρυώσει πριν ξεκινήσετε ξανά το εργαλείο.

### Προστασία υπερβολικής αποφόρτισης

Όταν η φόρτιση μπαταρίας δεν είναι αρκετή, το εργαλείο σταματάει αυτόματα. Σε αυτή την περίπτωση, βγάλτε την μπαταρία από το εργαλείο και φορτίστε την μπαταρία.

### Αποδέσμευση προστατευτικής ασφάλισης

Όταν το σύστημα προστασίας λειτουργεί επανειλημμένα, το εργαλείο είναι ασφαλισμένο και η ένδειξη μπαταρίας δείχνει την ακόλουθη κατάσταση. Σε αυτή την κατάσταση, το εργαλείο δεν ξεκινάει ακόμη κι αν απενεργοποιήσετε και ενεργοποιήσετε το εργαλείο. Για να αποδεσμεύσετε την προστατευτική ασφάλιση, βγάλτε την μπαταρία, τοποθετήστε τη στο φορτιστή μπαταριών και περιμένετε μέχρι να τελειώσει η φόρτιση.



## Δράση διακόπτη

**⚠ ΠΡΟΣΟΧΗ:** Πριν τοποθετείτε την κασέτα μπαταριών στο εργαλείο, να ελέγχετε πάντα ότι ο κυλιόμενος διακόπτης ενεργοποιείται σωστά και επιστρέφει στη θέση «ANENERGO» όταν πιέζετε το πίσω μέρος του κυλιόμενου διακόπτη.

**⚠ ΠΡΟΣΟΧΗ:** Ο διακόπτης μπορεί να ασφαλιστεί στη θέση «ENERGO» για πιο άνετη λειτουργία από τη χρήση κατά τη διάρκεια παρατεταμένης χρήσης. Να είστε προσεκτικοί όταν ασφαλίσετε το εργαλείο στη θέση «ENERGO» και να κρατάτε καλά το εργαλείο.

Για να ξεκινήσει το εργαλείο, πιέστε κάτω το πίσω μέρος του κυλιόμενου διακόπτη και κατόπιν ολισθήστε τον στη θέση «I (ON)». Για συνεχή λειτουργία, πιέστε κάτω το μπροστινό μέρος του κυλιόμενου διακόπτη για να τον ασφαλίσετε.

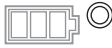

► **Εικ.4:** 1. Κυλιόμενος διακόπτης

Για να σταματήσει το εργαλείο, πιέστε κάτω το πίσω μέρος του κυλιόμενου διακόπτη ώστε να επιστρέψει στη θέση «O (OFF)».

► **Εικ.5:** 1. Κυλιόμενος διακόπτης

## Λειτουργία αυτόματης αλλαγής ταχύτητας

► **Εικ.6:** 1. Ένδειξη τρόπου λειτουργίας

Κατάσταση ένδειξης τρόπου λειτουργίας	Τρόπος λειτουργίας
	Τρόπος λειτουργίας υψηλής ταχύτητας
	Τρόπος λειτουργίας υψηλής ροπής

Αυτό το εργαλείο διαθέτει «τρόπο λειτουργίας υψηλής ταχύτητας» και «τρόπο λειτουργίας υψηλής ροπής». Αλλάζει αυτόματα ο τρόπος λειτουργίας ανάλογα με το φόρτο εργασίας. Όταν ανάβει η ένδειξη τρόπου λειτουργίας κατά τη διάρκεια της λειτουργίας, το εργαλείο βρίσκεται σε τρόπο λειτουργίας υψηλής ροπής.

## Λειτουργία αποφυγής τυχαίας επανεκκίνησης

Όταν τοποθετείτε την κασέτα μπαταριών ενώ ο κυλιόμενος διακόπτης βρίσκεται στη θέση «I (ENERGO)», η λειτουργία του εργαλείου δεν ξεκινά.

Για να ξεκινήσετε τη λειτουργία του εργαλείου, πρώτα σύρετε τον κυλιόμενο διακόπτη στη θέση «O (ANENERGO)» και κατόπιν σύρετέ τον στη θέση «I (ENERGO)».

## Τεχνολογία αίσθησης ενεργής ανάδρασης

Το εργαλείο ανιχνεύει ηλεκτρονικά τις καταστάσεις όπου ο τροχός ή το εξάρτημα μπορεί να βρίσκονται σε κίνδυνο για εμπλοκή. Σε αυτή την κατάσταση, το εργαλείο σβήνει αυτόματα για να αποφευχθεί η περαιτέρω περιστροφή της απράκτου (δεν εμποδίζει το κλότσημα). Για να ξεκινήσετε ξανά το εργαλείο, πρώτα σβήστε το εργαλείο, διορθώστε την αιτία της ξαφνικής πτώσης των στροφών περιστροφής και μετά ενεργοποιήστε ξανά το εργαλείο.

## Δυνατότητα ομαλής έναρξης

Η δυνατότητα ομαλής έναρξης καταστέλλει την αιφνίδια έναρξη.

## ΣΥΝΑΡΜΟΛΟΓΗΣΗ

**⚠ ΠΡΟΣΟΧΗ:** Να φροντίζετε πάντα για την απενεργοποίηση του εργαλείου και την αφαίρεση της κασέτας μπαταρίας, πριν από οποιαδήποτε ρύθμιση ή έλεγχο της λειτουργίας του.

## Τοποθέτηση πλάγιας λαβής (λαβή)

**⚠ ΠΡΟΣΟΧΗ:** Πριν από τη λειτουργία, να βεβαιώνετε πάντα ότι η πλάγια λαβή έχει τοποθετηθεί με ασφάλεια.

Βιδώστε την πλάγια λαβή με ασφάλεια στη θέση του εργαλείου όπως απεικονίζεται στην εικόνα.

► **Εικ.7**

## Τοποθέτηση ή αφαίρεση του προφυλακτήρα τροχού

**⚠ ΠΡΟΕΙΔΟΠΟΙΗΣΗ:** Όταν χρησιμοποιείτε τροχό χαμηλωμένου κέντρου, δίσκο λείανσης ή συρμάτινη βούρτσα σχήματος τροχού, ο προφυλακτήρας τροχού πρέπει να τοποθετηθεί στο εργαλείο ώστε η κλειστή πλευρά του προφυλακτήρα να είναι πάντα στραμμένη προς τον χειριστή.

**⚠ ΠΡΟΕΙΔΟΠΟΙΗΣΗ:** Να βεβαιώνετε ότι ο προφυλακτήρας τροχού είναι καλά ασφαλισμένος με το μοχλό κλειδώματος σε μία από τις οπές στον προφυλακτήρα τροχού.

**⚠ ΠΡΟΕΙΔΟΠΟΙΗΣΗ:** Όταν χρησιμοποιείτε τροχό κοπής / διαμαντοτροχό λείανσης, φροντίστε να χρησιμοποιείτε μόνο τον ειδικό προφυλακτήρα τροχού που έχει σχεδιαστεί για χρήση με τροχούς κοπής.

(Σε μερικές ευρωπαϊκές χώρες, όταν χρησιμοποιείται διαμαντοτροχός, μπορεί να χρησιμοποιηθεί ο συνηθισμένος προφυλακτήρας. Τηρήστε τους κανονισμούς στη χώρα σας.)

## Για τροχό χαμηλωμένου κέντρου, δίσκο λείανσης, συρμάτινη βούρτσα σχήματος τροχού / τροχό λείανσης κοπής, διαμαντοτροχό

1. Ενώ ωθείτε το μοχλό κλειδώματος, στερεώστε τον προφυλακτήρα τροχού με τις προεξοχές στο προφυλακτήρα τροχού ευθυγραμμισμένες με τις εγκοπές στο κιβώτιο έδρασης.

► **Εικ.8:** 1. Μοχλός κλειδώματος 2. Εγκοπή 3. Προεξοχή

2. Ενώ ωθείτε το μοχλό κλειδώματος προς το Α, ωθήστε μέσα τον προφυλακτήρα τροχού κρατώντας κάτω τα τμήματα Β όπως απεικονίζεται στην εικόνα.

► **Εικ.9:** 1. Προφυλακτήρας τροχού 2. Οπή

**ΠΑΡΑΤΗΡΗΣΗ:** Ωθήστε προς τα κάτω και ευθεία τον προφυλακτήρα τροχού. Διαφορετικά, δεν μπορείτε να ωθήσετε εντελώς τον προφυλακτήρα τροχού.

3. Ενώ κρατάτε τη θέση του μοχλού κλειδώματος και προφυλακτήρα τροχού όπως περιγράφεται στο βήμα 2, περιστρέψτε τον προφυλακτήρα τροχού προς το C και, στη συνέχεια, αλλάξτε τη γωνία του προφυλακτήρα τροχού ανάλογα με την εργασία.

► **Εικ.10:** 1. Προφυλακτήρας τροχού 2. Οπή

**ΠΑΡΑΤΗΡΗΣΗ:** Ωθήστε εντελώς τον προφυλακτήρα τροχού. Διαφορετικά, δεν μπορείτε να περιστρέψετε τον προφυλακτήρα τροχού.

Για να αφαιρέσετε τον προφυλακτήρα τροχού, ακολουθήστε τη διαδικασία εγκατάστασης με αντίστροφη σειρά.

## Όταν χρησιμοποιείτε τροχό χαμηλωμένου κέντρου ή δίσκο λείανσης

### Προαιρετικό εξάρτημα

**▲ ΠΡΟΕΙΔΟΠΟΙΗΣΗ:** Όταν χρησιμοποιείτε τροχό χαμηλωμένου κέντρου ή δίσκο λείανσης, ο προφυλακτήρας τροχού πρέπει να τοποθετηθεί στο εργαλείο ώστε η κλειστή πλευρά του προφυλακτήρα να είναι πάντα στραμμένη προς τον χειριστή.

► **Εικ.11:** 1. Τροχός χαμηλωμένου κέντρου  
2. Προφυλακτήρας τροχού

## Όταν χρησιμοποιείτε τροχό λείανσης κοπής / διαμαντοτροχό

### Προαιρετικό εξάρτημα

**▲ ΠΡΟΕΙΔΟΠΟΙΗΣΗ:** Όταν χρησιμοποιείτε τροχό κοπής / διαμαντοτροχό λείανσης, φροντίστε να χρησιμοποιείτε μόνο τον ειδικό προφυλακτήρα τροχού που έχει σχεδιαστεί για χρήση με τροχούς κοπής.

(Σε μερικές ευρωπαϊκές χώρες, όταν χρησιμοποιείται διαμαντοτροχός, μπορεί να χρησιμοποιηθεί ο συνηθισμένος προφυλακτήρας. Τηρήστε τους κανονισμούς στη χώρα σας.)

**▲ ΠΡΟΕΙΔΟΠΟΙΗΣΗ:** Μην χρησιμοποιείτε ΠΟΤΕ τροχό κοπής για πλευρική λείανση.

► **Εικ.12:** 1. Τροχός λείανσης κοπής / διαμαντοτροχός  
2. Προφυλακτήρας τροχού για τροχό λείανσης κοπής / διαμαντοτροχό

## Τοποθέτηση συρμάτινης βούρτσας σχήματος κούπας

### Προαιρετικό εξάρτημα

**▲ ΠΡΟΣΟΧΗ:** Μην χρησιμοποιείτε συρμάτινη βούρτσα σχήματος κούπας η οποία έχει υποστεί ζημιά ή η οποία δεν είναι κατάλληλα ζυγοσταθμισμένη. Η χρήση βούρτσας που έχει υποστεί ζημιά θα μπορούσε να αυξήσει τον κίνδυνο τραυματισμού λόγω επαφής με κομμένα τεμάχια συρμάτων της βούρτσας.

► **Εικ.13:** 1. Συρμάτινη βούρτσα σχήματος κούπας

## Τοποθέτηση συρμάτινης βούρτσας σχήματος τροχού

### Προαιρετικό εξάρτημα

**▲ ΠΡΟΣΟΧΗ:** Μην χρησιμοποιείτε συρμάτινη βούρτσα σχήματος τροχού η οποία έχει υποστεί ζημιά ή η οποία δεν είναι κατάλληλα ζυγοσταθμισμένη. Η χρήση συρμάτινης βούρτσας σχήματος τροχού που έχει υποστεί ζημιά θα μπορούσε να αυξήσει τον κίνδυνο τραυματισμού λόγω επαφής με κομμένα τεμάχια συρμάτων.

**▲ ΠΡΟΣΟΧΗ:** Να χρησιμοποιείτε ΠΑΝΤΑ προφυλακτήρα με τις συρμάτινες βούρτσες σχήματος τροχού, φροντίζοντας ώστε η διάμετρος του τροχού να επιτρέπει την εφαρμογή του μέσα στον προφυλακτήρα. Ο τροχός μπορεί να υποστεί θραύση κατά τη χρήση και ο προφυλακτήρας διευκολύνει στη μείωση των πιθανοτήτων πρόκλησης τραυματισμού.

► **Εικ.14:** 1. Συρμάτινη βούρτσα σχήματος τροχού  
2. Προφυλακτήρας τροχού

## Τοποθέτηση ή αφαίρεση τροχού X-LOCK

**▲ ΠΡΟΕΙΔΟΠΟΙΗΣΗ:** Μην ενεργοποιείτε ποτέ το μοχλό ελευθέρωσης του υποδοχέα X-LOCK κατά τη λειτουργία. Βεβαιωθείτε ότι ο τροχός X-LOCK έχει σταματήσει εντελώς όταν τον αφαιρείτε. Διαφορετικά, ο τροχός X-LOCK βγαίνει από το εργαλείο και μπορεί να προκαλέσει σοβαρό τραυματισμό.

**▲ ΠΡΟΣΟΧΗ:** Να χρησιμοποιείτε μόνο τροχούς X-LOCK με το λογότυπο X-LOCK. Αυτό το εργαλείο προορίζεται αποκλειστικά για X-LOCK.

Ο μετρητής μέγιστης σύσφιξης των 1,6 mm μπορεί να εγγυηθεί μόνο με γνήσιους τροχούς X-LOCK.

Η χρήση οποιουδήποτε άλλων τροχών μπορεί να οδηγήσει σε ανασφαλή σύσφιξη και να προκαλέσει τη χαλαρότητα του εργαλείου σύσφιξης.

**▲ ΠΡΟΣΟΧΗ:** Μην αγγίζετε τον τροχό X-LOCK αμέσως μετά τη λειτουργία. Μπορεί να είναι εξαιρετικά καυτό και να προκληθεί έγκαυμα στο δέρμα σας.

**▲ ΠΡΟΣΟΧΗ:** Βεβαιωθείτε ότι ο τροχός και ο υποδοχέας X-LOCK του εργαλείου δεν έχουν παραμορφωθεί και δεν εμφανίζουν σκόνη ή ξένα υλικά.

**▲ ΠΡΟΣΟΧΗ:** Μην τοποθετείτε το δάχτυλό σας κοντά στον υποδοχέα ενώ εγκαθιστάτε ή αφαιρείτε τον τροχό X-LOCK. Μπορεί να πιαστεί το δάχτυλό σας.

**▲ ΠΡΟΣΟΧΗ:** Μην τοποθετείτε το δάχτυλό σας κοντά στο μοχλό ελευθέρωσης ενώ εγκαθιστάτε τον τροχό X-LOCK. Μπορεί να πιαστεί το δάχτυλό σας.

**ΠΑΡΑΤΗΡΗΣΗ:** Δεν απαιτείται κανένα πρόσθετο μέρος όπως εσωτερικές φλάντζες ή παξιμάδια ασφάλισης για την εγκατάσταση ή αφαίρεση των τροχών X-LOCK.

1. Για να εγκαταστήσετε τον τροχό X-LOCK, βεβαιωθείτε ότι και οι δύο συγκρατήρες βρίσκονται στην απασφαλισμένη θέση. Αν όχι, ωθήστε τον μοχλό ελευθέρωσης από την πλευρά Α για να ανυψώσετε την πλευρά Β και, στη συνέχεια, τραβήξτε το μοχλό ελευθέρωσης από την πλευρά Β όπως απεικονίζεται. Οι συγκρατήρες βρίσκονται στην απασφαλισμένη θέση.
 

► **Εικ.15:** 1. Συγκρατήρας 2. Μοχλός ελευθέρωσης
2. Τοποθετήστε μια κεντρική θέση του τροχού X-LOCK στον υποδοχέα. Βεβαιωθείτε ότι ο τροχός X-LOCK είναι παράλληλος με την επιφάνεια της φλάντζας και ότι η σωστή πλευρά είναι στραμμένη προς τα πάνω.
 

► **Εικ.16:** 1. Τροχός X-LOCK 2. Υποδοχέας 3. Επιφάνεια φλάντζας 4. Συγκρατήρας
3. Ωθήστε τον τροχό X-LOCK μέσα στον υποδοχέα. Οι συγκρατήρες ασφαλίζουν στην ασφαλισμένη θέση με έναν χαρακτηριστικό ήχο και στερεώνουν τον τροχό X-LOCK.
 

► **Εικ.17:** 1. Επιφάνεια του υποδοχέα 2. Επιφάνεια του τροχού X-LOCK

Για να αφαιρέσετε τον τροχό X-LOCK, ωθήστε τον μοχλό ελευθέρωσης από την πλευρά Α για να ανυψώσετε την πλευρά Β και, στη συνέχεια, τραβήξτε το μοχλό ελευθέρωσης από την πλευρά Β όπως απεικονίζεται. Ο τροχός X-LOCK είναι απασφαλισμένος και μπορείτε να τον αφαιρέσετε.

► **Εικ.18:** 1. Μοχλός ελευθέρωσης

## ΛΕΙΤΟΥΡΓΙΑ

**▲ΠΡΟΕΙΔΟΠΟΙΗΣΗ:** Δεν θα πρέπει ποτέ να εξασκείτε υπερβολική δύναμη στο εργαλείο. Το βάρος του εργαλείου εφαρμόζει αρκετή πίεση. Ο εξαναγκασμός και η υπερβολική πίεση μπορεί να προκαλέσουν επικίνδυνο σπάσιμο του τροχού.

**▲ΠΡΟΕΙΔΟΠΟΙΗΣΗ:** Να αντικαθιστάτε ΠΑΝΤΑ τον τροχό αν το εργαλείο πέσει κάτω κατά τη λείανση.

**▲ΠΡΟΕΙΔΟΠΟΙΗΣΗ:** Μη χτυπάτε ΠΟΤΕ τον τροχό επάνω στο τεμάχιο εργασίας.

**▲ΠΡΟΕΙΔΟΠΟΙΗΣΗ:** Αποφύγετε τις αναπηδήσεις και ταϊμπήματα του τροχού, ιδιαίτερα όταν εργάζεστε πάνω σε γωνίες, αιχμηρές άκρες κλπ. Αυτά μπορεί να προκαλέσουν απώλεια ελέγχου και τίνιγμα προς τα πίσω.

**▲ΠΡΟΕΙΔΟΠΟΙΗΣΗ:** Μη χρησιμοποιείτε ΠΟΤΕ το εργαλείο με λάμες κοπής ξύλου και λάμα πριονιού. Τέτοιες λάμες όταν χρησιμοποιούνται συχνά στον λειαντή προκαλούν απώλεια ελέγχου από τα τινάγματα και οδηγούν σε προσωπικό τραυματισμό.

**▲ΠΡΟΕΙΔΟΠΟΙΗΣΗ:** Μην ενεργοποιείτε ποτέ το μοχλό ελευθέρωσης του υποδοχέα X-LOCK κατά τη λειτουργία. Ο τροχός X-LOCK γβιάνει από το εργαλείο και μπορεί να προκαλέσει σοβαρό τραυματισμό.

**▲ΠΡΟΕΙΔΟΠΟΙΗΣΗ:** Βεβαιωθείτε ότι ο τροχός X-LOCK είναι στερεωμένος καλά.

**▲ΠΡΟΣΟΧΗ:** Μη θέτετε ποτέ το εργαλείο σε λειτουργία όταν βρίσκεται σε επαφή με το τεμάχιο εργασίας επειδή μπορεί να προκληθεί τραυματισμός του χειριστή.

**▲ΠΡΟΣΟΧΗ:** Κατά τη διάρκεια της λειτουργίας, να φοράτε πάντα προστατευτικά γυαλιά ή προσωπίδα.

**▲ΠΡΟΣΟΧΗ:** Μετά τη λειτουργία, να σβήνετε πάντα το εργαλείο και να περιμένετε μέχρι ο τροχός να σταματήσει τελείως πριν αφήσετε κάτω το εργαλείο.

**▲ΠΡΟΣΟΧΗ:** Να κρατάτε ΠΑΝΤΑ το εργαλείο σταθερά με το ένα χέρι στο περίβλημα και με το άλλο χέρι στην πλάγια λαβή (λαβή).

## Λειτουργία τροχίσματος και λείανσης

► **Εικ.19**

Θέστε το εργαλείο σε λειτουργία και μετά εφαρμόστε τον τροχό ή το δίσκο στο τεμάχιο εργασίας.

Σε γενικές γραμμές, να κρατάτε την άκρη του τροχού ή του δίσκου σε γωνία περίπου 15 μοιρών ως προς την επιφάνεια του τεμαχίου εργασίας.

Κατά τη διάρκεια της περιόδου στρωσίματος ενός καινούργιου τροχού, μη χειρίζεστε τον λειαντή προς την εμπρόσθια κατεύθυνση επειδή θα προκαλέσει κοπή του τεμαχίου εργασίας. Μόλις στογγυλοποιηθεί η άκρη του τροχού από τη χρήση, ο τροχός μπορεί να χρησιμοποιηθεί προς την εμπρόσθια και οπίσθια κατεύθυνση.

## Λειτουργία με τροχό λείανσης κοπής / διαμαντοτροχό

*Προαιρετικό εξάρτημα*

**▲ΠΡΟΕΙΔΟΠΟΙΗΣΗ:** Μην προκαλείτε «μάγκωμα» του τροχού κοπής και μην ασκείτε υπερβολική πίεση. Μην επιχειρείτε να δημιουργήσετε τομή υπερβολικού βάθους. Η άσκηση υπερβολικής δύναμης στον τροχό αυξάνει το φορτίο και τη δεκτικότητα σε συστοφή ή εμπλοκή του τροχού εντός της κοπής και την πιθανότητα κλοστήματος ή θραύσης του τροχού όπως και υπερθέρμανσης του κινητήρα.

**▲ΠΡΟΕΙΔΟΠΟΙΗΣΗ:** Μην αρχίσετε την εργασία κοπής στο τεμάχιο εργασίας. Περιμένετε έως ότου ο τροχός αποκτήσει πλήρη ταχύτητα και φροντίστε για την εισαγωγή του με προσοχή στο εσωτερικό της κοπής μετακινώντας το εργαλείο προς τα εμπρός πάνω στην επιφάνεια του τεμαχίου εργασίας. Ο τροχός μπορεί να παρουσιάσει εμπλοκή, αναπήδηση ή ανάκρουση αν ενεργοποιήσετε το ηλεκτρικό εργαλείο ενώ βρίσκεται εντός του τεμαχίου εργασίας.

**▲ΠΡΟΕΙΔΟΠΟΙΗΣΗ:** Στη διάρκεια των εργασιών κοπής, μην αλλάζετε ποτέ τη γωνία του τροχού. Αν ασκήσετε πλευρική πίεση στον τροχό κοπής (όπως στη λείανση), θα προκληθεί ράγιγμα και θραύση του τροχού, με αποτέλεσμα σοβαρό τραυματισμό.

**▲ΠΡΟΕΙΔΟΠΟΙΗΣΗ:** Απαιτείται χειρισμός ενός διαμαντοτροχού κάθετα προς το υλικό που πρόκειται να κοπεί.

Παράδειγμα χρήσης: λειτουργία με τροχό λείανσης κοπής

► **Εικ.20**

Παράδειγμα χρήσης: λειτουργία με διαμαντοτροχό

► **Εικ.21**

## Λειτουργία με συρμάτινη βούρτσα σχήματος κούπας

### Προαιρετικό εξάρτημα

**ΠΡΟΣΟΧΗ:** Ελέγξτε τη λειτουργία της βούρτσας θέτοντας το εργαλείο σε λειτουργία χωρίς φορτίο, φροντίζοντας να μην υπάρχει κανένας μπροστά ή σε ευθεία γραμμή με τη βούρτσα.

**ΕΙΔΟΠΟΙΗΣΗ:** Φροντίστε να μην ασκείτε πολύ μεγάλη πίεση η οποία προκαλεί υπερβολικό λύγισμα των συρμάτων κατά τη χρήση της συρμάτινης βούρτσας σχήματος κούπας. Μπορεί να προκαλέσει πρόωρο σπάσιμο.

Παράδειγμα χρήσης: Λειτουργία με συρμάτινη βούρτσα σχήματος κούπας

► Εικ.22

## Λειτουργία με συρμάτινη βούρτσα σχήματος τροχού

### Προαιρετικό εξάρτημα

**ΠΡΟΣΟΧΗ:** Ελέγξτε τη λειτουργία της συρμάτινης βούρτσας σχήματος τροχού θέτοντας το εργαλείο σε λειτουργία χωρίς φορτίο, φροντίζοντας να μην υπάρξει κανείς μπροστά ή σε ευθεία γραμμή με τη βούρτσα.

**ΕΙΔΟΠΟΙΗΣΗ:** Φροντίστε να μην ασκείτε πολύ μεγάλη πίεση η οποία προκαλεί υπερβολικό λύγισμα των συρμάτων κατά τη χρήση της συρμάτινης βούρτσας σχήματος τροχού. Μπορεί να προκαλέσει πρόωρο σπάσιμο.

Παράδειγμα χρήσης: Λειτουργία με συρμάτινη βούρτσα σχήματος τροχού

► Εικ.23

## ΣΥΝΤΗΡΗΣΗ

**ΠΡΟΣΟΧΗ:** Πριν την εκτέλεση εργασιών επιθεώρησης ή συντήρησης, πάντοτε να βεβαιώνετε ότι η συσκευή απενεργοποιήθηκε και η κασέτα μπαταριών έχει αφαιρεθεί.

**ΕΙΔΟΠΟΙΗΣΗ:** Μην χρησιμοποιείτε ποτέ βενζίνη, πετρελαϊκό αιθέρα, διαλυτικό, αλκοόλη ή παρόμοιες ουσίες. Μπορεί να προκαλέσει αποχρωματισμούς, παραμόρφωση ή ρυγμές.

Για διατήρηση της ΑΣΦΑΛΕΙΑΣ και ΑΞΙΟΠΙΣΤΙΑΣ του προϊόντος, τυχόν επισκευές και οποιαδήποτε άλλη εργασία συντήρησης ή ρύθμισης θα πρέπει να εκτελούνται από εξουσιοδοτημένα κέντρα εξυπηρέτησης της Makita, πάντοτε με ανταλλακτικά της Makita.

## Καθαρισμός ανοιγμάτων εξαερισμού

Το εργαλείο και τα ανοίγματα εξαερισμού του πρέπει να διατηρούνται καθαρά. Να καθαρίζετε τακτικά τα ανοίγματα εξαερισμού του εργαλείου ή όταν αυτά αρχίσουν να φράσσονται.

► Εικ.24: 1. Άνοιγμα εξόδου αέρα 2. Άνοιγμα εισόδου αέρα

Βγάλτε το κάλυμμα σκόνης από το άνοιγμα εισόδου αέρα και καθαρίστε το για μια ομαλή κυκλοφορία του αέρα.

► Εικ.25: 1. Κάλυμμα σκόνης

**ΕΙΔΟΠΟΙΗΣΗ:** Καθαρίστε το κάλυμμα σκόνης όταν είναι φραγμένο με σκόνη ή ξένα υλικά. Η συνεχής λειτουργία με φραγμένο κάλυμμα σκόνης μπορεί να προκαλέσει βλάβη στο εργαλείο.

## ΠΡΟΑΙΡΕΤΙΚΑ ΕΞΑΡΤΗΜΑΤΑ

**ΠΡΟΣΟΧΗ:** Αυτά τα εξαρτήματα ή προσαρτήματα συνιστώνται για χρήση με το εργαλείο Makita που περιγράφτηκε στις οδηγίες αυτές. Η χρήση οποιωνδήποτε άλλων εξαρτημάτων ή προσαρτημάτων μπορεί να προκαλέσει κίνδυνο τραυματισμού σε άτομα. Να χρησιμοποιείτε τα εξαρτήματα ή προσαρτήματα μόνο για την χρήση που προορίζονται.

Εάν χρειάζεστε οποιαδήποτε βοήθεια για περισσότερες πληροφορίες σε σχέση με αυτά τα εξαρτήματα, αποτανθείτε στο τοπικό σας κέντρο εξυπηρέτησης Makita.

• Γνήσια μπαταρία και φορτιστής της Makita

► Εικ.26

1	Λαβή 36
2	Προφυλακτήρας τροχού (για τροχό λείανσης)
3	Τροχός χαμηλωμένου κέντρου / Δίσκος λείανσης
4	Προφυλακτήρας τροχού (για τροχό κοπής) *1
5	Τροχός λείανσης κοπής / Διαμαντοτροχός
6	Συρμάτινη βούρτσα σχήματος τροχού
7	Συρμάτινη βούρτσα σχήματος κούπας

**ΠΑΡΑΤΗΡΗΣΗ:** \*1 Σε μερικές ευρωπαϊκές χώρες, όταν χρησιμοποιείται διαμαντοτροχός, μπορεί να χρησιμοποιηθεί ο συνηθισμένος προφυλακτήρας αντί για τον ειδικό προφυλακτήρα που καλύπτει και τις δύο πλευρές του τροχού. Τηρήστε τους κανονισμούς στη χώρα σας.

**ΠΑΡΑΤΗΡΗΣΗ:** Μερικά στοιχεία στη λίστα μπορεί να συμπεριλαμβάνονται στη συσκευασία εργαλείου ως στάνταρ εξαρτήματα. Μπορεί να διαφέρουν ανάλογα με τη χώρα.

## TEKNİK ÖZELLİKLER

Model:	DGA521
Disk çapı	125 mm (5")
Maks. disk kalınlığı	6 mm
Anma hızı (n)	8.500 min <sup>-1</sup>
Toplam uzunluk	375 mm
Anma voltajı	D.C. 18 V
Net ağırlık	2,4 - 3,0 kg

- Sürekli yapılan araştırma ve geliştirmelerden dolayı, burada belirtilen özellikler önceden bildirilmeksizin değiştirilebilir.
- Özellikler ülkeden ülkeye değişebilir.
- Ağırılık, ekli aksesuar/aksesuarlara ve batarya kartuşuna bağlı olarak farklılık gösterebilir. EPTA-Prosedürü 01/2014'e göre en hafif ve en ağır kombinasyonlar tabloda verilmiştir.

### Geçerli batarya kartuşu ve şarj aleti

Batarya kartuşu	BL1815N / BL1820B / BL1830B / BL1840B / BL1850B / BL1860B
Şarj aleti	DC18RC / DC18RD / DC18RE / DC18SD / DC18SE / DC18SF / DC18SH

- Yukarıda listelenen batarya kartuşlarının ve şarj aletlerinin bazıları yaşadığınız bölgeye bağlı olarak mevcut olmayabilir.

**UYARI:** Sadece yukarıda listelenen batarya kartuşlarını ve şarj aletlerini kullanın. Başka batarya kartuşlarının ve şarj aletlerinin kullanılması yaralanma ve/veya yangına neden olabilir.

### Önerilen kablo bağlantılı güç kaynağı

Taşınabilir güç ünitesi	PDC01
-------------------------	-------

- Yukarıda listelenen kablo bağlantılı güç kaynakları yaşadığınız bölgeye bağlı olarak mevcut olmayabilir.
- Kablo bağlantılı güç kaynağını kullanmadan önce, üzerindeki uyarı işaretlerini ve talimatı okuyun.

### Kullanım amacı

Bu alet, metal ve taş malzemelerin susuz olarak taşlanması, zımparalanması, telle fırçalanması ve kesilmesi amacıyla kullanılır.

### Gürültü

Tipik A-ağırlıklı gürültü düzeyi (EN60745-2-3 standardına göre belirlenen):

Ses basınç seviyesi (L<sub>PA</sub>): 80 dB (A)

Belirsizlik (K): 3 dB (A)

İşlem sırasında gürültü seviyesi 80 dB (A)'yi geçebilir.

**NOT:** Beyan edilen gürültü emisyonu değer(ler)i bir standart test yöntemine uygun şekilde ölçülmüştür ve bir aleti bir başkasıyla karşılaştırmak için kullanılabilir.

**NOT:** Beyan edilen gürültü emisyonu değer(ler)i bir ön maruz kalma değerlendirmesi olarak da kullanılabilir.

**UYARI:** Kulak koruyucuları takın.

**UYARI:** Elektrikli aletin gerçek kullanım sırasındaki gürültü emisyonu, aletin kullanım biçimlerine, özellikle iş parçasının türüne bağlı olarak beyan edilen değer(ler)den farklı olabilir.

**UYARI:** Gerçek kullanım koşullarındaki tahmini maruziyeti baz alan, operatörü koruyacak güvenlik önlemlerini mutlaka belirleyin (çalışma döngüsü içerisinde aletin kapalı olduğu ve aktif durumda olmasının yanı sıra boşta çalıştığı zamanlar gibi, bütün zaman dilimleri göz önünde bulundurarak).

### Titreşim

Titreşim toplam değeri (üç eksenli vektör toplamı) (EN60745-2-3 standardına göre hesaplanan):  
Çalışma modu: normal yan kavrama kolu ile yüzey taşıma  
Titreşim emisyonu (a<sub>h,AG</sub>): 5,0 m/s<sup>2</sup>  
Belirsizlik (K) : 1,5 m/s<sup>2</sup>  
Çalışma modu: titreşim önleyici yan kavrama kolu ile yüzey taşıma  
Titreşim emisyonu (a<sub>h,AG</sub>): 6,5 m/s<sup>2</sup>  
Belirsizlik (K) : 1,5 m/s<sup>2</sup>  
Çalışma modu: normal yan kavrama kolu ile disk zımparalama  
Titreşim emisyonu (a<sub>h,AG</sub>): 2,5 m/s<sup>2</sup> den az  
Belirsizlik (K) : 1,5 m/s<sup>2</sup>



Çalışma modu: titreşim önleyici yan kavrama kolu ile disk zımparalama

Titreşim emisyonu ( $a_{h,AG}$ ): 2,5 m/s<sup>2</sup>'den az  
Belirsizlik (K) : 1,5 m/s<sup>2</sup>

**NOT:** Beyan edilen titreşim toplam değer(ler) bir standart test yöntemine uygun şekilde ölçülmüştür ve bir aleti bir başkasıyla karşılaştırmak için kullanılabilir.

**NOT:** Beyan edilen titreşim toplam değer(ler) bir ön maruz kalma değerlendirmesi olarak da kullanılabilir.

**UYARI:** Elektrikli aletin gerçek kullanımı sırasındaki titreşim emisyonu, alet kullanımı biçimlerine, özellikle işlenen iş parçasının türüne bağlı olarak beyan edilen değer(ler)den farklı olabilir.

**UYARI:** Gerçek kullanım koşullarındaki tahmini maruziyeti baz alan, operatörü koruyacak güvenlik önlemlerini mutlaka belirleyin (çalışma döngüsü içerisinde aletin kapalı olduğu ve aktif durumda olmasının yanı sıra boşta çalıştığı zamanlar gibi, bütün zaman dilimleri göz önünde bulundurarak).

**UYARI:** Beyan edilen titreşim emisyon değeri bu elektrikli aletin başlıca uygulamaları için kullanılır. Ancak, bu elektrikli alet başka uygulamalar için kullanılırsa titreşim emisyon değeri farklı olabilir.

## EC Uygunluk Beyanı

*Sadece Avrupa ülkeleri için*

EC uygunluk beyanı bu kullanım kılavuzuna Ek A olarak eklenmiştir.

## GÜVENLİK UYARILARI

### Genel elektrikli alet güvenliği uyarıları

**UYARI:** Bu elektrikli aletle birlikte sunulan tüm güvenlik uyarılarını, talimatları, çizimleri ve teknik özellikleri okuyun. Aşağıda verilen talimatlara uyulmaması elektrik şoku, yangın ve/veya ciddi yaralanmalar ile sonuçlanabilir.

### Tüm uyarıları ve talimatları ile- ride başvurmak için saklayın.

Uyarılardaki "elektrikli alet" terimi ile ya prizden çalışan (kordonlu) elektrikli aletiniz ya da kendi aküsü ile çalışan (kordonsuz) elektrikli aletiniz kastedilmektedir.

### Akülü taşlama makinesiyle ilgili güvenlik uyarıları

Taşlama, Zımparalama, Telle Fırçalama veya Aşındırma/ya Kesme İşlemleri İçin Ortak Güvenlik Uyarıları:

- Bu elektrikli aletin bir taşlama, zımparalama, tel fırça veya kesme aleti olarak kullanılması amaçlanmıştır. Bu elektrikli aletle birlikte verilen tüm güvenlik uyarılarını, talimatları, resimli açıklamaları ve özellik tablolarını okuyun.** Aşağıda listelenen talimatların herhangi birine uyulmaması elektrik şoku, yangın ve/veya ciddi yaralanmalar ile sonuçlanabilir.

- Bu elektrikli aletle parlatma gibi işlemlerin yapılması tavsiye edilmez.** Bu elektrikli aletin tasarımı amacına uygun olmayan işlemler tehlike oluşturabilir ve yaralanmaya neden olabilir.
- Aletin imalatçısı tarafından özel olarak tasarlanmamış ve tavsiye edilmeyen aksesuarları kullanmayın.** Bir aksesuarın yalnızca elektrikli aletinize takılabilir olması, onun güvenli çalışma çabını garanti etmez.
- Aksesuarın anma hızı en azından elektrikli aletin üstünde belirtilen maksimum hızla eşit olmalıdır.** Anma hızlarından daha hızlı çalışan aksesuarlar kırılabilir ve fırlayabilir.
- Aksesuarınızın dış çapı ve kalınlığı elektrikli aletinizin kapasite derecelendirmesi dahilinde olmalıdır.** Doğru boyutta olmayan aksesuarlar yeterince korunamayabilir ve kontrol edilemeyebilir.
- Aksesuarların dişli montaj parçaları taşlama makinesinin mil dişine tam olarak uymalıdır.** Flaş yardımcıyla takılan aksesuarlar için, aksesuarın mil delikleri flaşın yerleştirme çapına uygun olmalıdır. Elektrikli aletin monte edildiği kısıma uymayan aksesuarlar dengesiz döner, aşırı titreşim yapar ve kontrolden çıkabilir.
- Hasarlı bir aksesuarı kullanmayın.** Her kullanımdan önce aksesuarlarda, örneğin aşındırıcı disklerde yonga veya çatlak, taban altlığında çatlak, kopma veya aşırı aşınma, tel fırçalarda gevşek veya kırık tel muayenesi yapın. Eğer elektrikli alet veya aksesuar düşürülürse, hasar muayenesi yapın veya hasarsız bir aksesuar takın. Bir aksesuarı muayene ettikten ve taktıktan sonra, kendinizi ve civardaki insanları döner aksesuarın düzleminde uzun tutun ve elektrikli aleti bir dakika boyunca maksimum yüksüz hızda çalıştırın. Bu test çalıştırması sırasında normal olarak hasarlı aksesuarlar kopar.
- Kişisel koruyucu donanım kullanın.** Uygulamaya bağlı olarak yüz siperleri veya güvenlik gözlükleri kullanın. Uygun görüldüğü şekilde toz maskesi, kulak koruyucuları, eldiven ve küçük aşındırıcı parçalardan veya iş parçasından kopan küçük parçalardan sizi koruyabilecek iş önlüğü takın. Göz koruyucu, çeşitli işlemlerin üreteceği uçan kırıntıları durdurabilecek nitelikte olmalıdır. Toz maskesi veya solunum cihazı yaptığımız işlemin üreteceği küçük parçacıkları süzebilecek nitelikte olmalıdır. Uzun süre yüksek yoğunlukta gürültüye maruz kalmak işitme kaybına neden olabilir.
- Civarda bulunanları çalışma alanından güvenli bir uzaklıkta tutun.** Çalışma alanına giren herkes kişisel koruyucu donanım kullanmalıdır. İş parçasının veya kırılan bir aksesuarın kırıntıları uzağa fırlayıp, çalışma yerinin ötesinde yaralanmalara neden olabilir.
- Kesici aletin görünmeyen kablolarla temas etme olasılığı bulunan yerlerde çıkışırken elektrikli aleti yalıtımlı kavrama yüzeylerinden tutun.** "Akımlı" bir telle temas da elektrikli aletin yalıtımsız metal kısımlarını "akımlı" hale getirir ve kullanıcıyı elektrik şokuna maruz bırakabilir.
- Aksesuar tamamen durmadan önce elektrikli aleti kesinlikle yere koymayın.** Döner aksesuar yere sürünüp, elektrikli aletin kontrolünüz dışında fırlamasına neden olabilir.

12. **Elektrikli aleti yanınızda taşırken çalıştırmayın.** Giysilerinizin kazayla döner aksesuara temas etmesi giysinizin sıkışmasına neden olarak aksesuarı vücudunuza çekebilir.
13. **Elektrikli aletin hava deliklerini düzenli olarak temizleyin.** Motorun fanı tozu gövdenin içine çeker ve aşırı toz metal birikimi elektrik tehlikelerine neden olabilir.
14. **Elektrikli aleti tutuşabilen malzemelerin yakınında kullanmayın.** Kivılcıklar bu malzemeleri tutuşturabilir.
15. **Sıvı soğutucu gerektiren aksesuarlar kullanmayın.** Su veya diğer sıvı soğutucuların kullanılması elektrik çarpmasına veya şokuna neden olabilir.

### **Geri Tepme ve İlgili Uyarılar**

Geri tepme sıkışan veya takılan bir döner diske, taban altlığına, fırçaya veya başka bir aksesuara verilen ani bir tepkidir. Sıkışma veya takılma döner aksesuarın aniden durmasına ve bu da elektrikli aletin tutukluk noktasında aksesuarın dönme yönünün tersi doğrultuda kontrolsüz şekilde itilmesine neden olur.

Örneğin, eğer bir aşındırıcı disk iş parçasına takılır veya sıkışsa, sıkışma noktasına giren diskin kenarı malzeme yüzeyine batarak, diskin dışarı tırmanmasına veya tepmesine neden olabilir. Disk, sıkışma noktasında diskin hareket yönüne bağlı olarak operatöre veya ondan uzağa doğru sıçrayabilir. Bu koşullarda aşındırıcı diskler kırılabilir de.

Geri tepme elektrikli aletin yanlış kullanılmasının ve/veya yanlış kullanım usulleri veya koşullarının bir sonucudur ve aşağıda belirtildiği gibi doğru önlemlerle önenebilir.

1. **Elektrikli aleti daima sıkıca kavrayın ve vücudunuzun ve kolunuzun duruşunu geri tepme kuvvetlerine direnç gösterecek şekilde ayarlayın.** İlk çalıştırma sırasında geri tepme veya tork etkisi üzerinde maksimum kontrol sağlamak için, eğer varsa, daima yardımcı sapı kullanın. Eğer doğru önlemler alınrsa, operatör tork etkilerini veya geri tepme kuvvetlerini kontrol edebilir.
2. **Elinizi kesinlikle döner aksesuarın yakınına koymayın.** Aksesuar elinizin üstüne doğru geri tepebilir.
3. **Vücudunuzu geri tepme halinde elektrikli aletin fırlayacağı alanda bulundurmayın.** Geri tepme aleti takılma noktasında diskin hareketinin tersi yönde iter.
4. **Köşelerde, keskin kenarlarda, vb. çalışırken özel dikkat gösterin.** Aksesuarın ziplamasından ve takılmasından kaçının. Köşelerde, keskin kenarlarda veya ziplama halinde döner aksesuarın takılma eğilimi vardır ve kontrol kaybına ve geri tepmeye neden olur.
5. **Bir zincir testere, oyma bıçağı veya dişli testere bıçağı takmayın.** Bu bıçaklar sıkça geri tepme ve kontrol kaybı yaratır.

### **Taşlama ve Aşındırarak Kesme İşlemlerine Özgü Güvenlik Uyarıları:**

1. **Sadece elektrikli aletiniz için tavsiye edilen diskleri ve seçilen disk için özel olarak tasarlanmış siperi kullanın.** Elektrikli aletin tasarımına uygun olmayan diskler yeterli şekilde koruma altına alınmayabilir ve güvensizdir.

2. **Merkezden basmalı disklerin taşlama yüzeyi, koruyucu kapak çarkı düzleminin altına monte edilmelidir.** Koruyucu kapak çarkının üzerine doğru çıkıntı yapacak şekilde hatalı monte edilmiş bir disk yeterli ölçüde kapatılamaz.
3. **Siper elektrikli alete sıkı şekilde takılı olmalı ve diskin operatöre doğru açıkta kalan kısmı en az olacak şekilde maksimum güvenlik için konumlandırılmalıdır.** Siper, operatörün kırılan disk parçalarına, kazayla diske temas etmekten ve giysileri tutuşturabilecek kivılcıklardan korunmasına yardımcı olur.
4. **Diskler sadece tavsiye edilen uygulamalarda kullanılmalıdır.** Örneğin kesme diskinin ya tarafıyla taşlama yapmayın. Aşındırıcı kesme diskleri çevresel aşındırmaya yöneliktir, bu disklere etki eden yan kuvvetler parçalanmalarına neden olabilir.
5. **Daima seçtiğiniz disk için doğru boyut ve şekilde hasarsız flanşlar kullanın.** Doğru flanşlar diski destekleyerek, disk kırılmasında olasılığı azaltır. Kesme disklerinin flanşları taşlama disklerinin flanşlarından farklı olabilir.
6. **Daha büyük elektrikli aletlerin aşınarak küçülmüş disklerini kullanmayın.** Daha büyük elektrikli aletler için tasarlanmış diskler küçük aletlerin daha yüksek hızlarına uygun olmayabilir ve parçalanabilir.

### **Aşındırarak Kesme İşlemlerine Özgü Ek Güvenlik Uyarıları:**

1. **Kesme diskinin “sıkıştırmayın” veya üstüne aşırı basınç uygulamayın.** Aşırı derinlikte bir kesme yapmaya çalışmayın. Diskin aşırı zorlanması yükü ve diskin kesik içinde bükülme veya takılma olasılığını artırarak, geri tepmeye veya diskin kırılmasına neden olabilir.
2. **Vücudunuzu döner diskle aynı hizada ve diskin gerisinde tutmayın.** Disk, çalışma noktasında, vücudunuzdan uzağa doğru hareket ederken, olası bir geri tepme döner diski ve elektrikli aleti doğrudan doğruya size doğru fırlatabilir.
3. **Diskin takıldığı veya herhangi bir nedenle kesmeyi durdurduğu zaman, elektrikli aleti kapatın ve disk tamamen duruncaya kadar onu hareketsiz şekilde tutun.** Kesme diski dönerken onu kesinlikle kesikten çıkarmaya çalışmayın aksi takdirde geri tepme oluşabilir. Diskin takılma nedenini araştırıp, ortadan kaldırmak için düzeltici işlemleri yapın.
4. **İş parçasında kesme işlemine yeniden başlamayın.** Diskin tam hıza ulaşmasını bekleyin ve dikkatli şekilde tekrar kesişe geçirin. Elektrikli alet iş parçası içinde tekrar çalıştırılırsa, disk takılabilir, yukarı tırmanabilir veya geri tepebilir.
5. **Diskin takılması veya geri tepme riskini en aza indirmek için panelleri ve çok büyük iş parçalarını destekleyin.** Büyük iş parçaları kendi ağırlıkları altında bel vermeye meyillidir. Destekler diskin her iki yanında kesme hattına ve iş parçasının kenarına yakın olarak, iş parçasının altına yerleştirilmelidir.
6. **Mevcut duvarların veya diğer kör alanların içine “oyuk kesme” yaparken daha fazla dikkat gösterin.** Fazla ileri giden disk gaz veya su borularını, elektrik kablolarını veya geri tepmeye neden olabilecek nesnelere kesebilir.

## Zımparalama İşlemlerine Özgü Güvenlik Uyarıları:

1. **Aşırı büyüklükte zımpara kağıdı diski kullanmayın. Zımpara kağıdı seçerken imalatçının tavsiyelerine uyun.** Zımpara taban diskini aşan büyüklükte zımpara kağıdı yırtılma riski oluşturur ve takılmaya, diskin kopmasına veya geri tepmeye neden olabilir.

## Tel Fırça İşlemlerine Özgü Güvenlik Uyarıları:

1. **Olağan işlemler sırasında bile fırçadan tellerin fırlayabileceği konusunda uyanık olun. Fırçaya aşırı yük uygulayarak telleri aşırı zorlamayın.** Teller kolaylıkla ince gıysilere ve/veya cildeatabilir.
2. **Tel fırça işlemi için bir siper kullanılması tavsiye ediliyorsa, tel diskin veya fırçanın siper tarafından engellenmemesini sağlayın.** Tel disk veya fırça iş yüküne veya merkezkaç kuvvetlerine bağlı olarak genişleyebilir.

## Ek Güvenlik Uyarıları:

1. **Merkezden basmalı taşlama diskleri kullanırsanız, mutlaka sadece fiberglas takviyeli diskler kullanın.**
2. **Bu taşlama makinesiyle Taş Çanak tipi diskleri KESİNLİKLE KULLANMAYIN.** Bu taşlama makinesi ve tip diskler için tasarlanmamıştır ve böyle bir ürün kullanılması ciddi yaralanmalara neden olabilir.
3. **X-LOCK yuvasına hasar vermeye dikkat edin. Parçaların hasar görmesi diskin kırılması ile sonuçlanabilir.**
4. **Alet çalıştırılmadan önce diskin iş parçasına değmediğinden emin olun.**
5. **Aleti gerçek bir iş parçası üzerinde kullanmadan önce bir süre boşa çalıştırın. Diskin yanlış takılmış veya dengesiz olduğunu gösteren titreme ya da yalpalamalara dikkat edin.**
6. **Taşlama yaparken diskin belirlenmiş yüzeyini kullanın.**
7. **Aleti çalışır durumda bırakmayın. Aleti sadece elinizde tutarken çalıştırın.**
8. **Çalışmadan hemen sonra iş parçasına dokunmayın; çok sıcak olabilir ve cildinizi yakabilir.**
9. **Çalışmadan hemen sonra aksesuarlara dokunmayın; çok sıcak olabilir ve cildinizi yakabilirler.**
10. **Diskin doğru monte edilmesi ve kullanılması için imalatçının talimatlarına uyun. Diskleri özenle aktarın ve saklayın.**
11. **Büyük delikli aşındırıcı diskleri uydurmak için ayrı redüksiyon nipel ya da adaptör kullanmayın.**
12. **İş parçasının doğru desteklenip desteklenmediğini kontrol edin.**
13. **Diskin alet kapatıldıktan sonra dönmeye devam ettiğine dikkat edin.**
14. **Çalışma yeri aşırı sıcak ve nemliyse ya da çok fazla iletken toz kirliliği mevcutsa kullanıcının güvenliği için bir kısa devre kesicisi (30 mA) kullanın.**
15. **Bu aleti asbest içeren hiçbir malzeme üstünde kullanmayın.**
16. **Kesme diski kullandığınız zaman, daima yerel yönetmeliklerin gerektirdiği toz toplayıcı disk siperi ile çalışın.**
17. **Kesici diskleri yanal bir basınca maruz kalmamalıdır.**

18. **Çalışma sırasında kumaş iş eldivenleri kullanmayın.** Kumaş eldivenlerin lifleri alete girebilir, bu da aletin bozulmasına neden olur.
19. **Çalışma öncesinde iş parçasında elektrik borusu, su borusu veya gaz borusu gibi gömülü nesnelere olmadığından emin olun.** Aksi takdirde elektrik çarpmasına, elektrik kaçağına veya gaz sızıntısına neden olabilir.

## BU TALİMATLARI MUHAFAZA EDİNİZ.

**⚠UYARI:** Ürünü kullanırken (defalarca kullanınca kazanılan) rahatlık ve tanıdıklık duygusunun ilgili ürünün güvenlik kurallarına sıkı sıkıya bağlı kalmanın yerine geçmesine İZİN VERMEYİN. YANLIŞ KULLANIM veya bu kullanma kılavuzunda belirtilen emniyet kurallarına uymama ciddi yaralanmaya neden olabilir.

## Batarya kartuşu hakkında önemli güvenlik talimatları

1. **Batarya kartuşunu kullanmadan önce, tüm talimatları ve (1) batarya kartuşu, (2) batarya ve (3) ürün üzerindeki tüm uyarı işaretlerini okuyun.**
  2. **Batarya kartuşunu parçalarına ayırmayın veya kuralamayın.** Yangın, aşırı ısı veya patlamaya neden olabilir.
  3. **Çalışma süresi aşırı derecede kısalırsa kullanmayı derhal bırakın. Aşırı ısınma, yanma riski hatta patlamaya neden olabilir.**
  4. **Gözünüze elektrolit kaçarsa, gözlerinizi temiz suyla durulayın ve hemen tıbbi yardım alın. Görme kaybına yol açabilir.**
  5. **Batarya kartuşuna kısa devre yaptırmayın:**
    - (1) Terminallere herhangi bir iletken madde değdirmeyin.
    - (2) Batarya kartuşunu çiviler, madeni paralar, vb. gibi başka metal nesnelere aynı kaba koymaktan kaçının.
    - (3) Batarya kartuşunu yağmura ya da suya maruz bırakmayın.
- Kısa devre, büyük bir akım akışına, aşırı ısınmaya, olası yanıklara hatta bataryanın bozulmasına yol açabilir.**
6. **Aleti ve batarya kartuşunu sıcaklığın 50°C ya da daha yükseğe ulaştığı yerlerde saklamayın ve kullanmayın.**
  7. **Aşırı derecede hasar görmüş ya da tamamen kullanılamaz durumda olsa bile batarya kartuşunu yakmayın. Batarya kartuşu ateşe atılırsa patlayabilir.**
  8. **Batarya kartuşunu çivilemeyin, kesmeyin, ezmeyin, fırlatmayın, düşürmeyin ya da batarya kartuşuna sert bir nesne ile vurmayın. Bu eylemler yangın, aşırı ısı veya patlamaya neden olabilir.**
  9. **Hasarlı bataryayı kullanmayın.**
  10. **Aletin içerdığı lityum-iyon bataryalar Tehlikeli Eşyalar Yönetmeliğinin gereksinimlerine tabidir. Ticari nakliye işlemleri için, örneğin üçüncü taraflar, nakliye acenteleri tarafından yapılan nakliyelerde, paketleme ve etiketleme gereksinimlerine uyulmalıdır.**

Nakliyesi yapılacak ürünün hazırlanması için, tehlikeli maddeler konusunda uzman bir kişiye danışın. Lütfen muhtemelen daha ayrıntılı olan ulusal yönetmeliklere de uyun.

Açık kontakları bantlayın ya da maskeleyin ve bataryayı paketin içinde hareket etmeyecek şekilde paketlenin.

11. **Batarya kartuşunun bertaraf ederken aletten çıkarın ve güvenli bir yerde bertaraf edin. Bataryanın bertaraf edilmesi ile ilgili yerel düzenlemelere uyunuz.**
12. **Bataryaları sadece Makita tarafından belirtilen ürünlerle kullanın.** Bataryaların uyumsuz ürünlere takılması; yangın, aşırı ısınma, patlama ya da elektrolit sızıntısına neden olabilir.
13. **Alet uzun süre kullanılmıyacaksa batarya aletten çıkarılmalıdır.**
14. **Kullanma sırasında ve sonrasında batarya kartuşu ısınarak yanıklara veya düşük sıcaklık yanıklarına yol açabilir. Sıcak batarya kartuşları ile işlem yaparken dikkat edin.**
15. **Yanıklara neden olabilecek kadar sıcak olabileceğinden kullandıktan hemen sonra aletin terminaline dokunmayın.**
16. **Batarya kartuşunun terminallerine, deliklerine ve kanallarına micir, toz veya toprak girmesine izin vermeyin.** Aletin veya batarya kartuşunun zayıf performans göstermesine veya bozulmasına neden olabilir.
17. **Alet yüksek gerilim elektrik güç hatları yakınında kullanımı desteklemediği sürece batarya kartuşunu yüksek gerilim elektrik güç hatlarının yakınında kullanmayın.** Aletin veya batarya kartuşunun arızalanmasına veya bozulmasına neden olabilir.
18. **Bataryayı çocuklardan uzak tutun.**

## BU TALİMATLARI MUHAFAZA EDİNİZ.

**⚠DİKKAT:** Sadece orijinal Makita bataryalarını kullanın. Orijinal olmayan Makita bataryaları ya da üzerine değişiklik yapılmış bataryaların kullanımı bataryanın patlamasına ve sonuç olarak yangın, kişisel yaralanma ve hasara neden olabilir. Ayrıca Makita aleti ve şarj aletinin Makita tarafından sunulan garantisini de geçersiz olur.

## Maksimum batarya ömrü için ipuçları

1. **Batarya kartuşunu tamamen boşalmadan önce şarj edin. Aletin gücünün zayıflamaya başladığını fark ettiğinizde aleti durdurun ve batarya kartuşunu şarj edin.**
2. **Tam dolu bir batarya kartuşunu asla yeniden şarj etmeyin. Aşırı şarj etme bataryanın hizmet ömrünü kısaltır.**
3. **Batarya kartuşunu 10 °C - 40 °C oda sıcaklığında şarj edin. Sıcak bir batarya kartuşunu şarj etmeden önce soğumasını bekleyin.**
4. **Batarya kartuşunu kullanılmıyorken aletten veya şarj aletinden çıkarın.**
5. **Uzun bir süre (altı aydan daha fazla) kullanmadığınız durumlarda batarya kartuşunu şarj edin.**

## İŞLEVSEL NİTELİKLER

**⚠DİKKAT:** Alet üzerinde ayarlama veya işleyiş kontrolü yapmadan önce aletin kapalı ve batarya kartuşunun ayrılmış olduğundan daima emin olun.

## Batarya kartuşunun takılması ve çıkarılması

**⚠DİKKAT:** Batarya kartuşunu takmadan ya da çıkarmadan önce aleti daima kapatın.

**⚠DİKKAT:** Batarya kartuşunu takarken veya çıkarırken aleti ve batarya kartuşunu sıkıca tutun. Aletin ve batarya kartuşunun sıkıca tutulmaması bunların düşürülmesine sebep olabilir ve alet ve batarya kartuşunun zarar görmesine ya da ciddi yaralanmasına yol açabilir.

► **Şek.1:** 1. Kırmızı gösterge 2. Düğme 3. Batarya kartuşu

Batarya kartuşunu çıkarmak için, kartuşun ön tarafındaki düğmeyi kaydırarak kartuşu aletten çıkarın.

Batarya kartuşunu takmak için, batarya kartuşu üzerindeki dili yuvanın oluşu ile hizalayın ve kartuşu yerine oturtun. Kartuşu, küçük bir tık sesi ile yerine sabitlenene dek sonuna kadar itirin. Şekilde gösterildiği gibi kırmızı göstergeli görebiliyorsanız tam olarak kilitlenmemiş demektir.

**⚠DİKKAT:** Batarya kartuşunu daima kırmızı gösterge görünmeyecek şekilde tam olarak takın. Yerine tam oturmazsa, aletten yanlışlıkla düşebilir, sizin ya da çevrenizdeki kişilerin yaralanmasına neden olabilir.

**⚠DİKKAT:** Batarya kartuşunu zorlayarak takmayın. Kartuş kolay bir şekilde kaymıyorsa doğru yerleştirilmemiş demektir.

## Kalan batarya kapasitesinin gösterilmesi

**Sadece göstergeli batarya kartuşları için**

► **Şek.2:** 1. Gösterge lambaları 2. Kontrol düğmesi

Kalan batarya kapasitesini göstermesi için batarya kartuşu üzerindeki kontrol düğmesine basın. Gösterge lambaları birkaç saniye yanar.

Gösterge lambaları			Kalan kapasite
Yanıyor	Kapalı	Yanıp sönmüyor	
■	□	■	%75 ila %100
■	■	□	%50 ila %75
■	□	□	%25 ila %50
■	□	□	%0 ila %25
▬	□	□	Bataryayı şarj edin.
■	■	□	Batarya arızalanmış olabilir.
□	□	■	

**NOT:** Kullanım koşullarına ve ortam sıcaklığına bağlı olarak, gösterilen değer gerçek kapasiteden biraz farklılık gösterebilir.

**NOT:** İlk (en soldaki) gösterge lambası, batarya koruma sistemi çalıştığında yanıp söner.

## Kalan batarya kapasitesinin gösterilmesi

Aleti çalıştırdığınızda, batarya göstergesi kalan batarya kapasitesini gösterir.

► **Şek.3:** 1. Batarya göstergesi

Kalan batarya kapasitesi aşağıdaki tablodaki gibi gösterilir.

Batarya göstergesi durumu			Kalan pil kapasitesi
Açık	Kapalı	Yanıp sönmüyor	
			%50 ila %100
			%20 ila %50
			%0 ila %20
			Bataryayı şarj edin

## Alet/batarya koruma sistemi

Bu alet bir alet/batarya koruma sistemi ile donatılmıştır. Bu sistem motora giden gücü otomatik olarak keserek uzun alet ve batarya ömrü sağlar. Alet veya batarya için aşağıdaki durumlardan biri söz konusu olduğunda aletin işleyişi otomatik olarak durur:

### Aşırı yük koruması

Alet/batarya, anormal derecede yüksek akım çekmesine neden olacak şekilde kullanıldığında, alet hiçbir belirti vermeden otomatik olarak durur. Bu durumda, aleti kapatın ve aletin aşırı yüklenmesine neden olan uygulamayı durdurun. Ardından yeniden başlatmak için aleti çalıştırın.

### Aşırı ısınma koruması

Alet aşırı ısındığında otomatik olarak durur ve batarya göstergesi aşağıdaki durumu gösterir. Bu durumda, yeniden çalıştırmadan önce aletin soğumasını bekleyin.

Açık	Yanıp sönmüyor

Alet çalışmaya başlamazsa, batarya aşırı ısınmış olabilir. Bu durumda, aleti yeniden başlatmadan önce bataryanın soğumasını bekleyin.

## Aşırı deşarj koruması

Batarya kapasitesi yeterli olmadığında, alet otomatik olarak durur. Bu durumda, bataryayı aletten çıkarın ve bataryayı tekrar şarj edin.

## Koruma kilidinin kaldırılması

Koruma sistemi tekrar tekrar çalıştığında alet kilitlenir ve batarya göstergesi aşağıdaki durumu gösterir. Bu durumda, alet kapatılıp tekrar açılrsa da alet çalışmaya başlamaz. Koruma kilidini kaldırmak için, bataryayı çıkarın, batarya şarj aletine takın ve şarj bitene kadar bekleyin.

Açık	Kapalı	Yanıp sönmüyor

## Anahtar işlemleri

**⚠DİKKAT:** Batarya kartuşunu alete takmadan önce, sürgülü anahtarın doğru çalıştığından ve anahtarın arka tarafı alçaldığında "OFF" (kapalı) konumuna geldiğinden emin olun.

**⚠DİKKAT:** Uzun süreli kullanım sırasında kullanıcının rahatı için anahtar "ON" (açık) konumunda kilitlenebilir. Anahtar "ON" (açık) konumunda kilitliken dikkatli olun ve aleti sıkı kavrayın.

Aleti çalıştırmak için, sürgülü anahtarın arka tarafına basın ve ardından "I" (AÇIK) konuma kaydırın. Sürekli kullanım için, sürgülü anahtarın ön tarafına basarak anahtarı kilitleyin.

► **Şek.4:** 1. Sürgülü anahtar

Aleti durdurmak için, sürgülü anahtarın arka tarafına basarak "O" (KAPALI) konuma dönmelerini sağlayın.

► **Şek.5:** 1. Sürgülü anahtar

## Otomatik hız değiştirme fonksiyonu

► **Şek.6:** 1. Mod göstergesi

Mod göstergesi durumu	Çalışma modu
	Yüksek hız modu
	Yüksek tork modu

Bu aletin bir "yüksek hız modu" bir de "yüksek tork modu" bulunur. İş yüküne bağlı olarak çalışma modu otomatik olarak değişir. Çalışma sırasında mod göstergesinin ışıkları yandığı zaman, alet yüksek tork modundadır.

## İstemsiz yeniden başlatma önleyici işlev

Sürgülü anahtar "I" (AÇIK) konumdayken batarya kartuşu takılırsa alet çalışmaz. Aleti çalıştırmak için, önce sürgülü anahtarı "O" (KAPALI) konumuna kaydırın, daha sonra "I" (AÇIK) konumuna kaydırın.

## Aktif Geri Besleme Algılama Teknolojisi

Alet, diskin ya da aksesuarın takılma riski olduğu durumları elektronik olarak algılar. Bu durumda, alet milin daha fazla dönmesini engellemek için otomatik olarak kapanır (geri tepmeyi engellemez). Aleti yeniden başlatmak için, önce aleti kapatın, dönüş hızındaki ani düşüşün nedenini ortadan kaldırın ve ardından aleti açık konuma getirin.

## Yumuşak başlatma özelliği

Yumuşak başlatma özelliği başlatma tepkisini azaltır.

## MONTAJ

**⚠DİKKAT:** Alet üzerinde ayarlama veya işleyiş kontrolü yapmadan önce aletin kapalı ve batarya kartuşunun ayrılmış olduğundan daima emin olun.

## Yan kavrama kolunun (tutamağın) takılması

**⚠DİKKAT:** Çalışmaya başlamadan önce yan kavrama kolunun yerine sağlam şekilde takılmış olduğundan daima emin olun.

Yan kavrama kolunu şekilde gösterildiği gibi alet üstündeki konumuna sıkıca vidalayın.  
► Şek.7

## Disk siperinin takılması veya çıkarılması

**⚠UYARI:** Merkezden basmalı bir disk, flap disk veya tel disk fırça kullanılırken; disk siperi, siperin kapalı tarafının yönü daima kullanıcıya doğru bakacak şekilde takılmalıdır.

**⚠UYARI:** Disk siperinin disk siperi üzerindeki deliklerden biri ile kilitleme kolu tarafından sıkıca kilitlendiğinden emin olun.

**⚠UYARI:** Bir aşındırıcı kesme disk / elmas disk kullanıldığı zaman, sadece kesme diskleriyle kullanılmak için belirlenmiş özel disk siperini kullandığınızdan emin olun.

(Bazı Avrupa ülkelerinde, elmas disk kullanılırken normal siper kullanılabilir. Ülkenizdeki yönetmeliklere uygun davranın.)

## Merkezden basmalı disk, flap disk, tel disk fırça / aşındırıcı kesme disk, elmas disk için

1. Kilitleme koluna bastırarak disk siperini, disk siperi üstündeki çıkıntılar yatak mahfazası üstündeki çentiklerle aynı hizada olacak şekilde monte edin.

► Şek.8: 1. Kilitleme kolu 2. Çentik 3. Çıkıntı

2. Kilitleme kolunu A'ya doğru bastırarak disk siperini, şekilde gösterildiği gibi B kısımlarını tutarak itmek suretiyle sokun.

► Şek.9: 1. Disk siperi 2. Delik

**NOT:** Disk siperini düz bir şekilde aşağı ittirin. Aksi takdirde disk siperini tamamen ittiremezsiniz.

3. Kilitleme kolunu ve disk siperi konumunu adım 2'de tarif edildiği gibi tutarken disk siperini C'ye doğru döndürün ve ardından disk siperinin açısını işe göre değiştirin.

► Şek.10: 1. Disk siperi 2. Delik

**NOT:** Disk siperini tamamen ittirin. Aksi takdirde disk siperini döndüremezsiniz.

Disk siperini çıkarmak için, takma işlemlerini tersinden uygulayın.

## Merkezden basmalı disk veya flap disk kullanırken

### İsteğe bağlı aksesuar

**⚠UYARI:** Merkezden basmalı bir disk veya flap disk kullanırken, disk siperi, siperin kapalı tarafının yönü daima kullanıcıya doğru bakacak şekilde takılmalıdır.

► Şek.11: 1. Merkezden basmalı disk 2. Disk siperi

## Aşındırıcı kesme disk / elmas disk kullanırken

### İsteğe bağlı aksesuar

**⚠UYARI:** Bir aşındırıcı kesme disk / elmas disk kullanıldığı zaman, sadece kesme diskleriyle kullanılmak için belirlenmiş özel disk siperini kullandığınızdan emin olun.

(Bazı Avrupa ülkelerinde, elmas disk kullanılırken normal siper kullanılabilir. Ülkenizdeki yönetmeliklere uygun davranın.)

**⚠UYARI:** Kenar taşlama için ASLA kesme disk kullanmayın.

► Şek.12: 1. Aşındırıcı kesme disk / elmas disk  
2. Aşındırıcı kesme disk / elmas disk için disk siperi

## Tel tas fırçanın takılması

### İsteğe bağlı aksesuar

**⚠DİKKAT:** Hasarlı veya dengesiz tel tas fırçaları kullanmayın. Hasarlı fırça kullanılması kırık fırça tellerinin temas etmesiyle yaralanma potansiyelini arttırabilir.

► Şek.13: 1. Tel tas fırça

## Tel disk fırçanın takılması

### İsteğe bağlı aksesuar

**⚠DİKKAT:** Hasarlı veya dengesiz tel disk fırçaları kullanmayın. Hasarlı tel disk fırça kullanılması kırık fırça tellerinin temas etmesiyle yaralanma potansiyelini artırabilir.

**⚠DİKKAT:** Tel disk fırçalarla birlikte DAİMA, diskin çapı siperin içinde kalacak şekilde, siper kullanın. Disk kullanım sırasında kırılabilir ve siper kişisel yaralanma olasılığını azaltır.

► **Şek.14:** 1. Tel disk fırça 2. Disk siperi

## X-LOCK diskin takılması veya çıkarılması

**⚠UYARI:** Çalışma sırasında X-LOCK yuvasının serbest bırakma kolunu asla kullanmayın. Çıkarırken X-LOCK diskin tamamen durduğundan emin olun. Aksi takdirde X-LOCK disk aletten çıkar ve ciddi yaralanmaya neden olabilir.

**⚠DİKKAT:** Sadece X-LOCK logolu orijinal X-LOCK diskler kullanın. Bu alet X-LOCK'a özeldir.

1,6 mm'lik maksimum sıkma miktarı yalnızca orijinal X-LOCK disklerle sağlanabilir.

Başka disk kullanılması emniyetsiz sıkmaya neden olabilir ve sıkma aygıtının gevşemesine yol açabilir.

**⚠DİKKAT:** İşlemin hemen ardından X-LOCK diske dokunmayın. Oldukça sıcak olabilir ve cildinizi yakabilir.

**⚠DİKKAT:** X-LOCK diskin ve aletin yuvasının deforme olmadığından ve toz veya yabancı maddeler içermediğinden emin olun.

**⚠DİKKAT:** X-LOCK diski takarken veya çıkarırken parmağınızı yuvarın yanına koymayın. Parmağınızı sıkıştırabilir.

**⚠DİKKAT:** X-LOCK diski takarken parmağınızı serbest bırakma kolunun yanına koymayın. Parmağınızı sıkıştırabilir.

**NOT:** X-LOCK diskleri takmak veya çıkarmak için iç flanşlar veya kilit somunları gibi ilave parçalar gerekmez.

1. X-LOCK diski takmak için her iki mandalın da açık konumunda olduğundan emin olun. Değilse serbest bırakma kolunu şekilde gösterildiği gibi A tarafından bastırarak B tarafını kaldırın, ardından serbest bırakma kolunu B tarafından çekin. Mandallar açık konumda ayarlanır.
- **Şek.15:** 1. Mandal 2. Serbest bırakma kolu

2. X-LOCK diskin orta konumunu yuvaya yerleştirin. X-LOCK diskin flanş yüzeyine paralel olduğundan ve doğru tarafın yukarı baktığından emin olun.
  3. X-LOCK diski yuvaya bastırın. Mandallar tık sesi ile kilittir konuma oturur ve X-LOCK diski sabitler.
- **Şek.16:** 1. X-LOCK disk 2. Yuva 3. Flanş yüzeyi 4. Mandal

4. X-LOCK diskin düzgün sabitlendiğinden emin olun. X-LOCK diskin yüzeyi şekilde gösterildiği gibi yuva yüzeyinden daha yüksekte değildir. Bu şekilde değilse yuva temizlenmeli veya X-LOCK disk kullanılmamalıdır.
- **Şek.17:** 1. Yuva yüzeyi 2. X-LOCK disk yüzeyi

X-LOCK diski çıkarmak için serbest bırakma kolunu şekilde gösterildiği gibi A tarafından bastırarak B tarafını kaldırın, ardından serbest bırakma kolunu B tarafından çekin.

X-LOCK disk serbest kalır ve çıkarılabilir.

► **Şek.18:** 1. Serbest bırakma kolu

## KULLANIM

**⚠UYARI:** Aletin hiçbir zaman zorlanması gerekmemelidir. Aletin ağırlığı yeterli basıncı uygular. Zorlama ve fazla basınç tehlikeli disk kırılmasına neden olabilir.

**⚠UYARI:** Taşlama sırasında alet düşürülürse diski DAİMA değiştirin.

**⚠UYARI:** Diski ASLA üzerinde çalışılan parçaya vurmayın ya da çarpmayın.

**⚠UYARI:** Özellikle köşelerde, keskin kenarlarda, vb. alanlarda çalışırken diski zıplatmaktan ve engellere takmaktan kaçının. Bu, kontrol kaybına ve geri tepmeye neden olabilir.

**⚠UYARI:** Bu aleti ASLA ahşap kesme bıçakları ve diğer testere bıçakları ile kullanmayın. Bu bıçaklar bir taşlama makinesiyle kullanıldığında sıkça geri teper ve yaralanmaya yol açacak kontrol kaybına neden olur.

**⚠UYARI:** Çalışma sırasında X-LOCK yuvasının serbest bırakma kolunu asla kullanmayın. X-LOCK disk aletten çıkar ve ciddi yaralanmaya neden olabilir.

**⚠UYARI:** X-LOCK diskin sıkıca sabitlendiğinden emin olun.

**⚠DİKKAT:** İş parçası ile temas halindeyken aleti asla çalıştırmayın; bu, kullanıcının yaralanmasına neden olabilir.

**⚠DİKKAT:** Çalışma sırasında daima emniyet gözlükleri veya bir yüz siperi kullanın.

**⚠DİKKAT:** Çalışmanız bitince daima aleti kapatın ve yere koymadan önce diskin tamamen durmasını bekleyin.

**⚠DİKKAT:** Aleti DAİMA bir elinizle gövdeden ve diğer elinizle yan kavrama kolundan (saptan) sıkıca tutun.

## Taşlama ve zımparalama işlemi

### ► Şek.19

Aleti çalıştırın ve diski iş parçasına uygulayın. Genel olarak diskin kenarını iş parçasının yüzeyine yaklaşık 15 derecelik bir açıyla tutun. Yeni bir diskin alıştırmaya döneminde taşlama makinesini ileri yönde çalıştırmayın aksi takdirde disk iş parçasını keser. Diskin kenarı kullanılıp yuvarlandıktan sonra, disk hem ileri hem de geri yönde kullanılabilir.

## Aşındırıcı kesme diski / elmas disk ile çalışma

### İsteğe bağlı aksesuar

**⚠UYARI:** Diski “sıkıştırmayın” veya aşırı basınç uygulamayın. Aşırı derinlikte bir kesme yapmaya çalışmayın. Diskin aşırı zorlanması yükü ve diskin kesik içinde bükülme veya takılma olasılığını artırarak, geri tepmeye, diskin kırılmasına ve motorun aşırı ısınmasına neden olabilir.

**⚠UYARI:** İş parçasında kesme işlemine başlamayın. Diskin tam hıza ulaşmasını bekleyin ve dikkatli şekilde kesimin içine girerek, aleti iş parçasının yüzeyi boyunca ileri doğru ilerletin. Elektrikli alet iş parçası içinde çalıştırılırsa, disk takılabilir, yukarı tırmanabilir veya geri tepebilir.

**⚠UYARI:** Kesme işlemleri sırasında, diskin açısını kesinlikle değiştirmeyin. Kesme diskine (taşlamada olduğu gibi) yan basınç uygulanması diskin kırılmasına ve kopmasına neden olarak, ciddi yaralanmalara yol açabilir.

**⚠UYARI:** Bir elmas disk kesilecek malzemeye dik olarak çalıştırılmalıdır.

Kullanım örneği: Aşındırıcı kesme diski ile çalışma  
► Şek.20

Kullanım örneği: elmas disk ile çalışma  
► Şek.21

## Tel tas fırçayla çalışma

### İsteğe bağlı aksesuar

**⚠DİKKAT:** Fırçanın önünde veya hizasında hiç kimse olmadığından emin olarak, aleti yüksüz çalıştırıp fırçanın çalışmasını kontrol edin.

**ÖNEMLİ NOT:** Tel tas fırça kullanırken, tellerin aşırı bükülmesine neden olan aşırı basınç uygulamayın. Erken kırılmaya neden olabilir.

Kullanım örneği: tel tas fırçayla çalışma  
► Şek.22

## Tel disk fırçayla çalışma

### İsteğe bağlı aksesuar

**⚠DİKKAT:** Fırçanın önünde veya hizasında hiç kimse olmadığından emin olarak, aleti yüksüz çalıştırıp tel disk fırçanın çalışmasını kontrol edin.

**ÖNEMLİ NOT:** Tel disk fırça kullanırken, tellerin aşırı bükülmesine neden olan aşırı basınç uygulamayın. Erken kırılmaya neden olabilir.

Kullanım örneği: tel disk fırçayla çalışma  
► Şek.23

## BAKIM

**⚠DİKKAT:** Muayene ya da bakım yapmadan önce aletin kapalı ve batarya kartuşunun çıkartılmış olduğundan daima emin olun.

**ÖNEMLİ NOT:** Benzin, tiner, alkol ve benzeri maddeleri kesinlikle kullanmayın. Renk değişimi, deformasyon veya çatlaklar oluşabilir.

Ürün GÜVENLİĞİNİ ve GÜVENİLİRLİĞİNİ korumak için onarımlar, her türlü bakım ve ayarlama işlemleri daima Makita yedek parçaları kullanılarak Makita yetkili servis merkezleri tarafından yapılmalıdır.

## Hava deliğinin temizlenmesi

Alet ve hava delikleri temiz tutulmalıdır. Aletin hava deliklerini düzenli aralıklarla veya delikler her tıkanmaya başladığında temizleyin.

► Şek.24: 1. Hava çıkma deliği 2. Hava alma deliği  
Toz kapağını hava alma deliğinden çıkarın ve rahat bir hava sirkülasyonu için temizleyin.  
► Şek.25: 1. Toz kapağı

**ÖNEMLİ NOT:** Toz kapağı toz ya da yabancı maddelerle tıkanığında çıkarıp temizleyin. Tıkalı bir toz kapağı ile çalışmaya devam etmek alete zarar verebilir.



# İSTEĞE BAĞLI AKSESUARLAR

**⚠ DİKKAT:** Bu aksesuarlar ve ek parçalar bu el kitabında belirtilen Makita aletiniz ile kullanılmak için tavsiye edilmektedir. Herhangi başka bir aksesuar ya da ek parça kullanılması insanlar için bir yaralanma riski getirebilir. Aksesuarları ya da ek parçaları yalnızca belirtilmiş olan kullanım amaçlarına uygun olarak kullanın.

Bu aksesuarlarla ilgili daha fazla bilgiye ihtiyaç duyarsanız bulunduğunuz yerdeki yetkili Makita servisine başvurun.

- Orijinal Makita batarya ve şarj aleti

► **Şek.26**

1	Sap 36
2	Disk Siperi (taçlama diski için)
3	Merkezden basmalı disk / Flap disk
4	Disk Siperi (kesme diski için) *1
5	Aşındırıcı kesme diski / Elmas disk
6	Tel disk fırça
7	Tel tas fırça

**NOT:** \*1 Bazı Avrupa ülkelerinde, elmas bir disk kullanılırken diskin her iki yanını kaplayan özel siper yerine normal siper kullanılabilir. Ülkenizdeki yönetmeliklere uygun davranın.

**NOT:** Listedeki parçaların bazıları alet paketi içerisinde standart aksesuar olarak dahil edilmiş olabilir. Bunlar ülkeden ülkeye farklılık gösterebilir.





**Makita Europe N.V.** Jan-Baptist Vinkstraat 2,  
3070 Kortenberg, Belgium

**Makita Corporation** 3-11-8, Sumiyoshi-cho,  
Anjo, Aichi 446-8502 Japan

[www.makita.com](http://www.makita.com)

885816A999  
EN, FR, DE, IT, NL,  
ES, PT, DA, EL, TR  
20210616