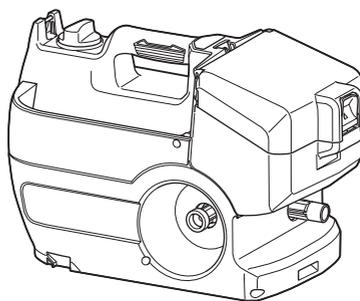




EN	Cordless High Pressure Washer	INSTRUCTION MANUAL	10
FR	Nettoyeur Haute Pression à Batterie	MANUEL D'INSTRUCTIONS	22
DE	Akku Hochdruckreiniger	BETRIEBSANLEITUNG	35
IT	Idropulitrice ad alta pressione a batteria	ISTRUZIONI PER L'USO	49
NL	Accuhogedrukreiniger	GEBRUIKSAANWIJZING	63
ES	Hidrolavadora Inalámbrica de Alta Presión	MANUAL DE INSTRUCCIONES	76
PT	Lavadora de Alta Pressão a Bateria	MANUAL DE INSTRUÇÕES	90
DA	Batteridrevet højtryksrensere	BRUGSANVISNING	103
EL	Φορητό πλυστικό μηχάνημα υψηλής πίεσης	ΕΓΧΕΙΡΙΔΙΟ ΟΔΗΓΙΩΝ	115
TR	Akülü Basınçlı Yıkama Makinası	KULLANMA KILAVUZU	129

DHW080



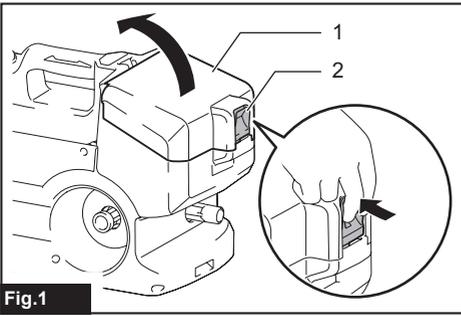


Fig.1

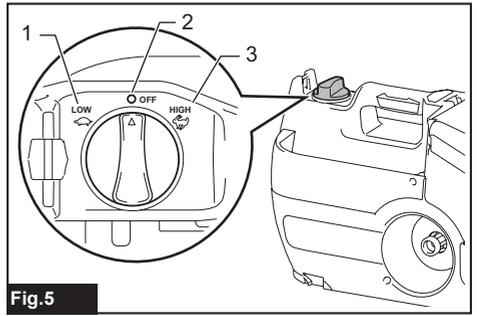


Fig.5

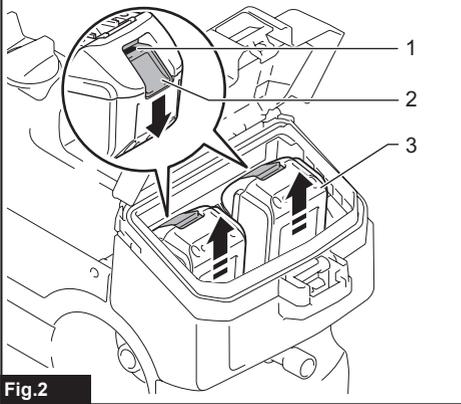


Fig.2

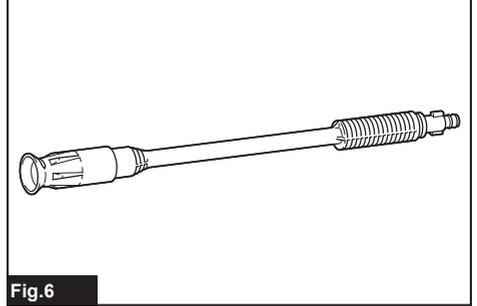


Fig.6

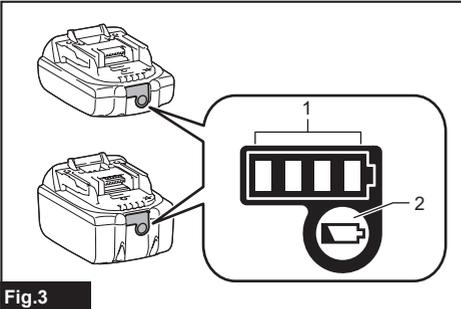


Fig.3

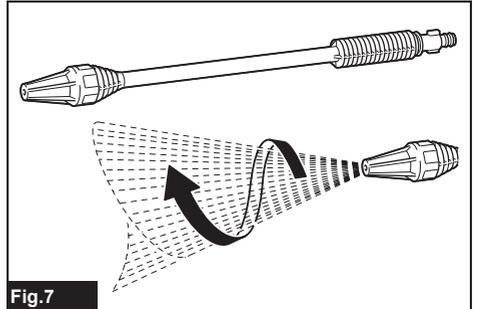


Fig.7

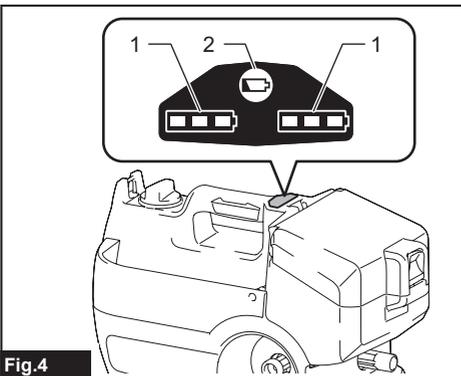


Fig.4

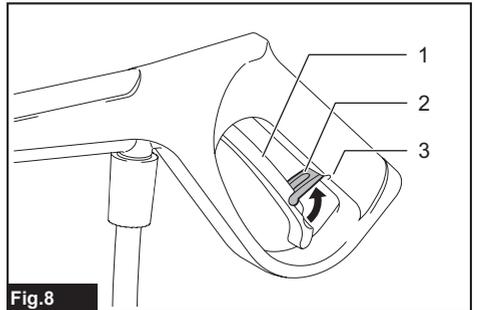


Fig.8

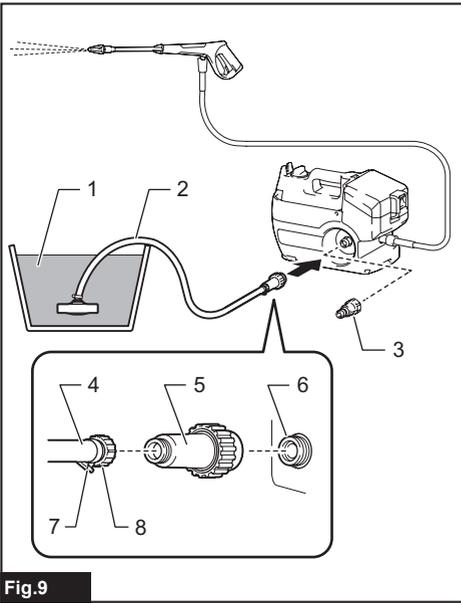


Fig.9

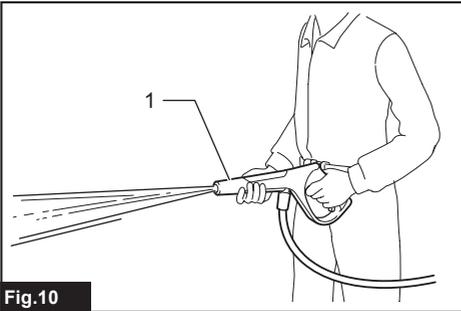


Fig.10

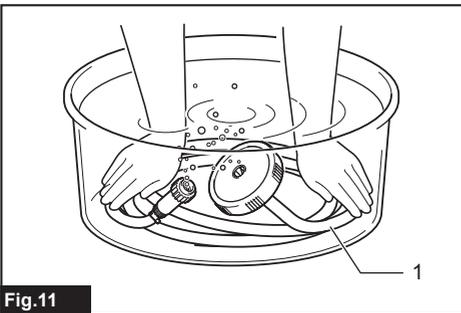


Fig.11

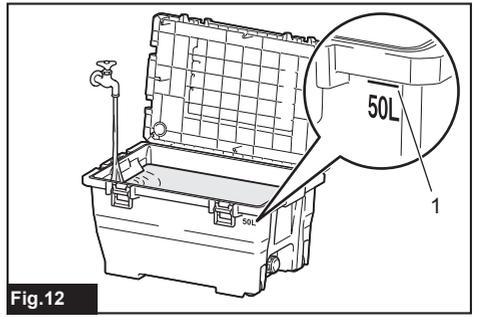


Fig.12

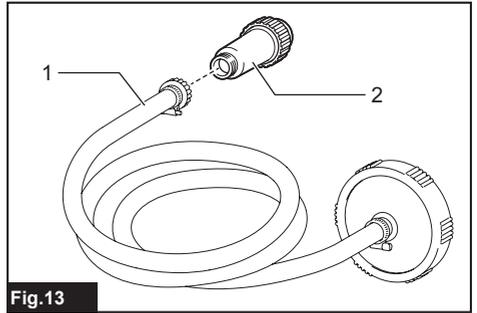


Fig.13

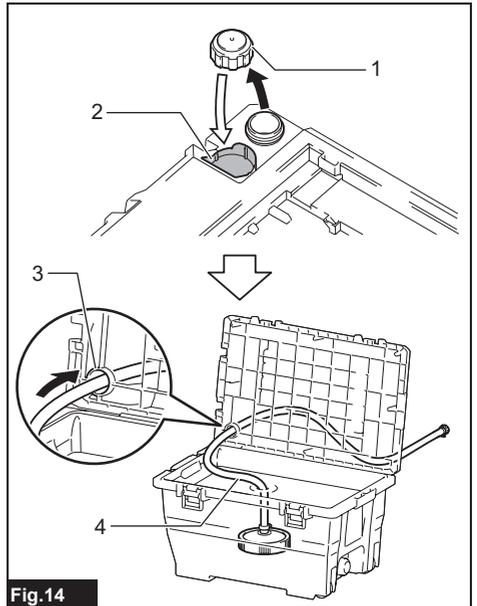
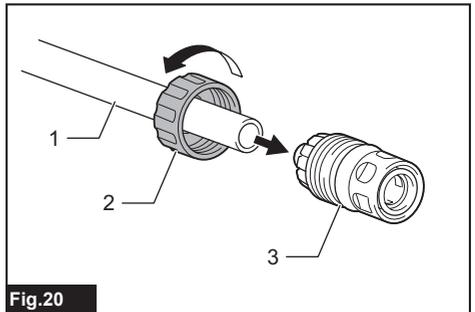
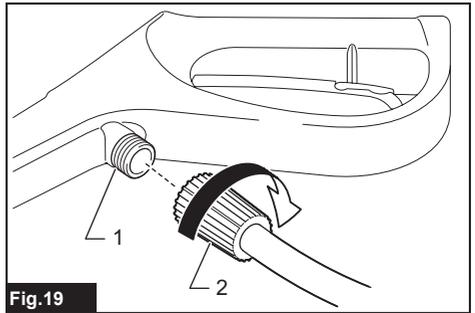
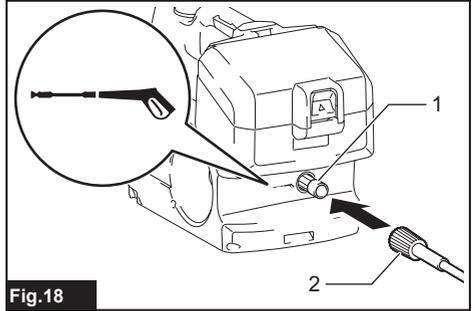
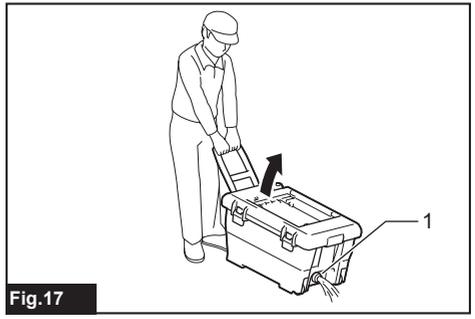
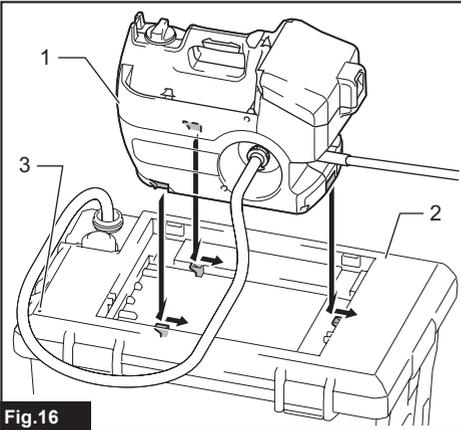
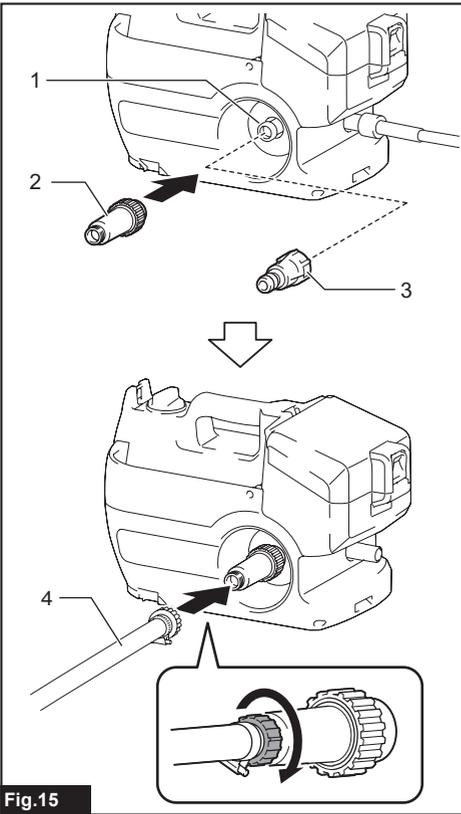


Fig.14



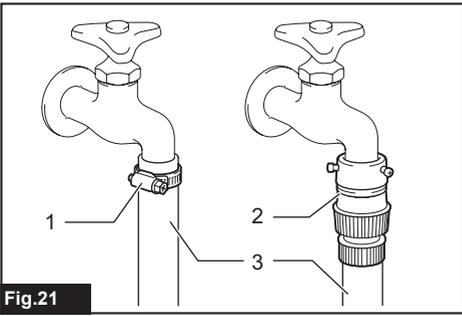


Fig.21

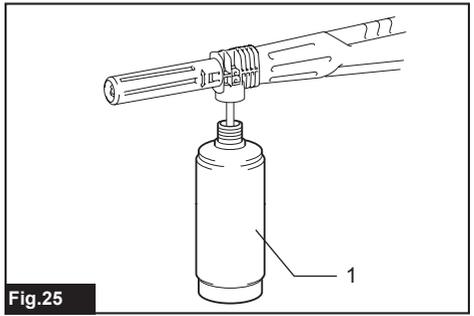


Fig.25

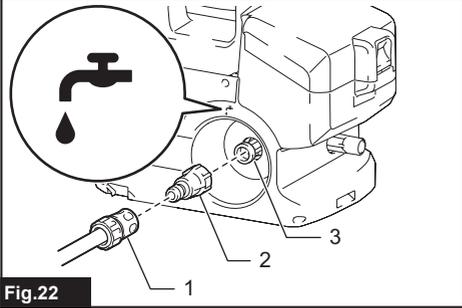


Fig.22

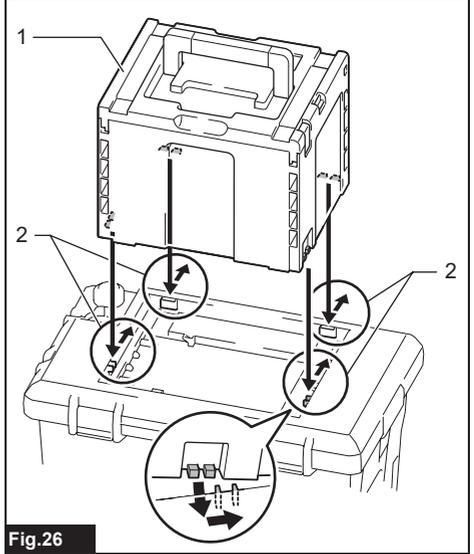


Fig.26

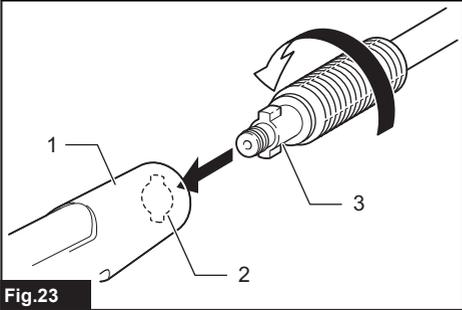


Fig.23

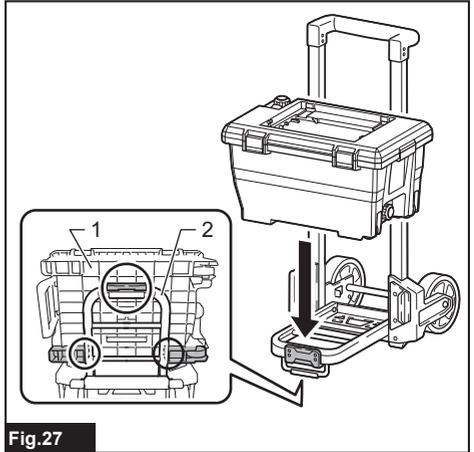


Fig.27

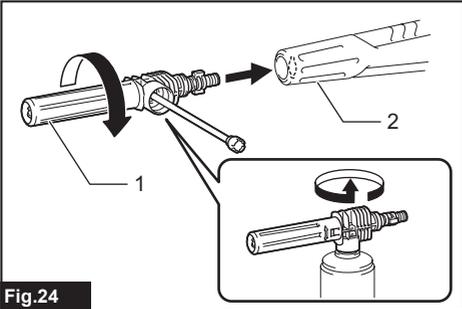


Fig.24

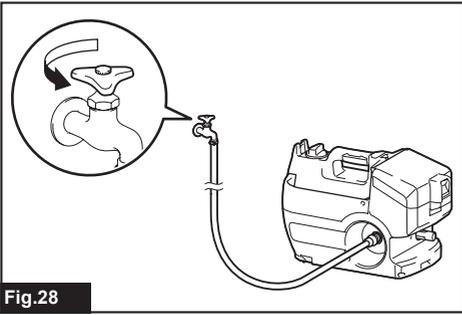


Fig. 28

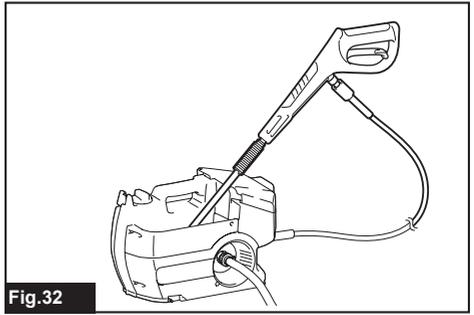


Fig. 32

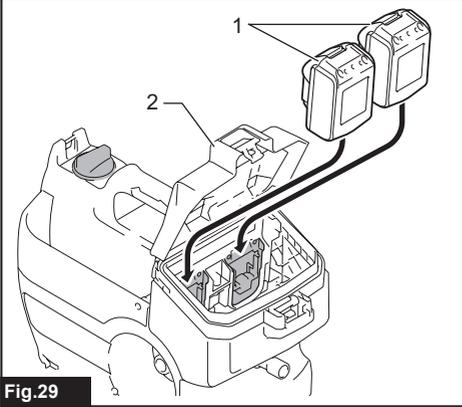


Fig. 29

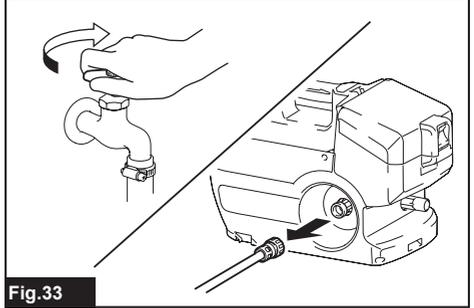


Fig. 33

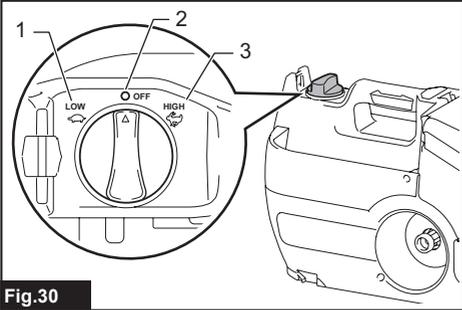


Fig. 30

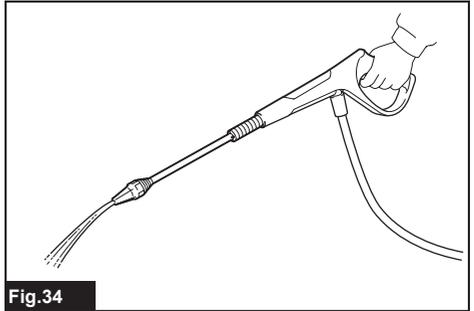


Fig. 34

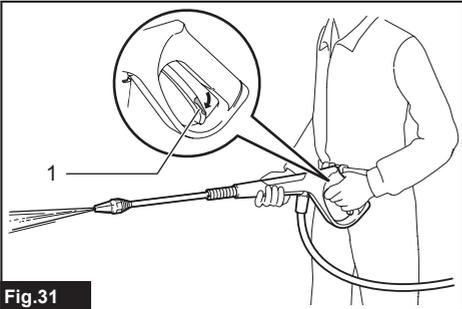


Fig. 31

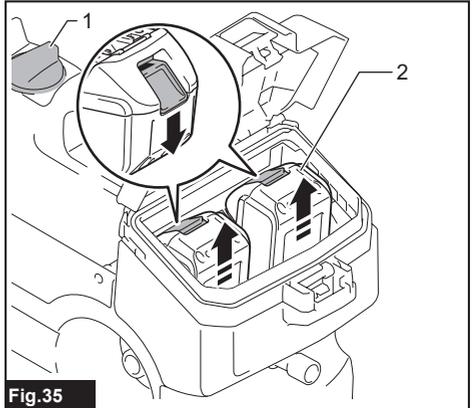
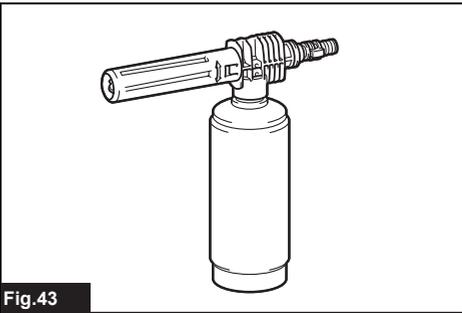
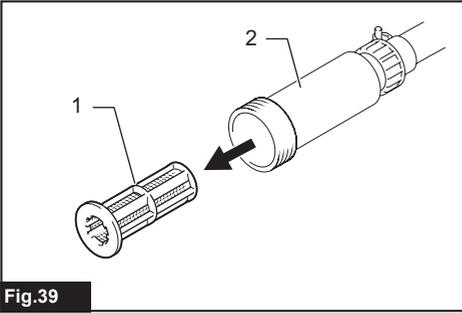
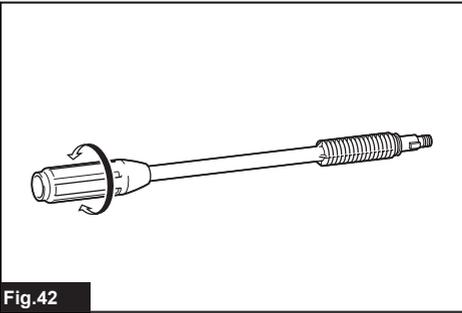
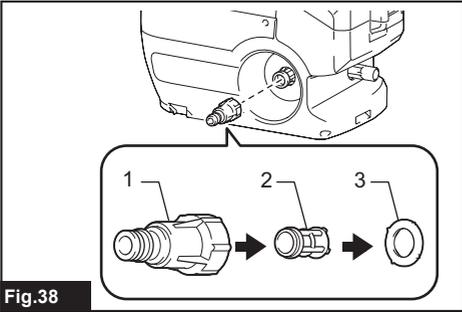
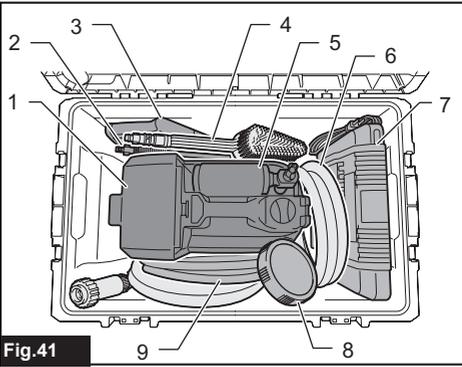
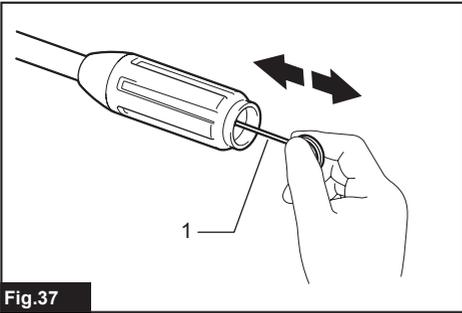
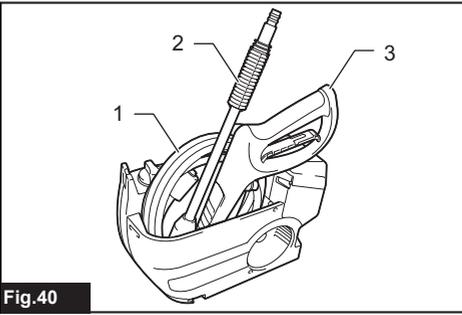
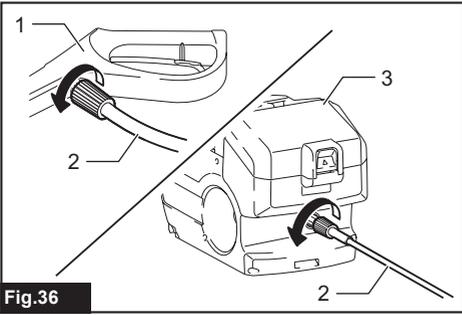


Fig. 35



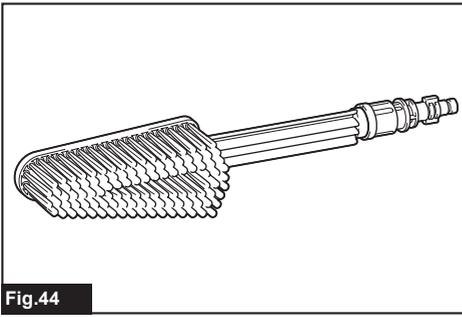


Fig.44

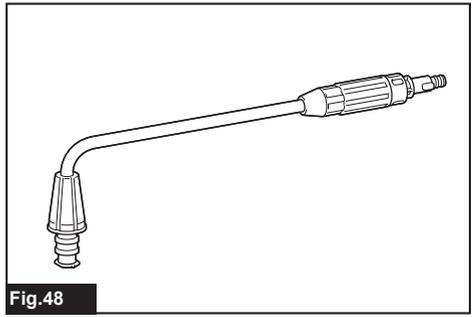


Fig.48

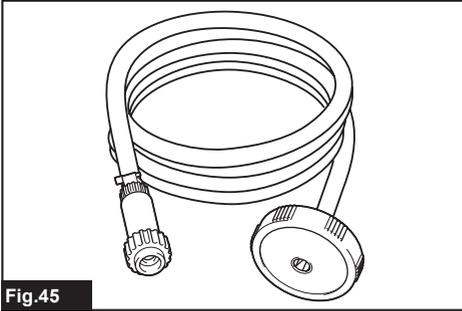


Fig.45

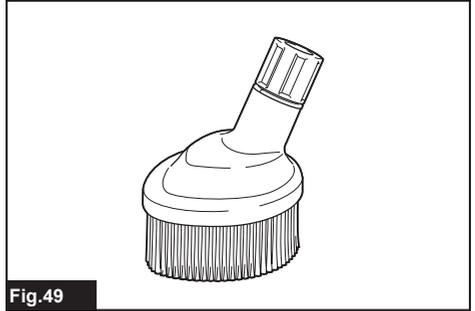


Fig.49

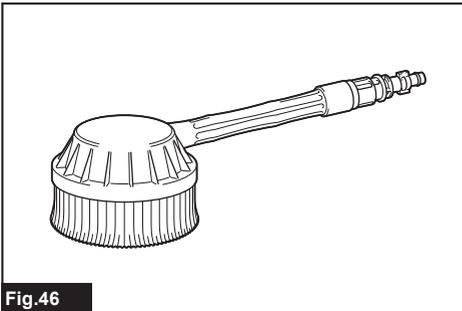


Fig.46

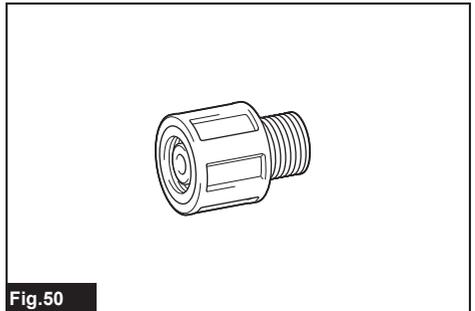


Fig.50

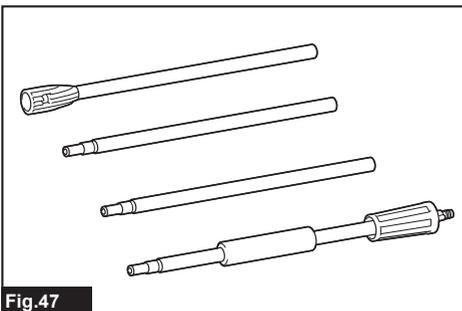


Fig.47

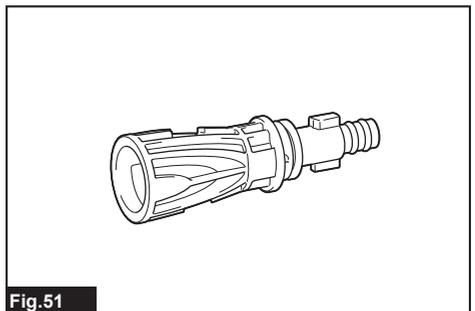


Fig.51

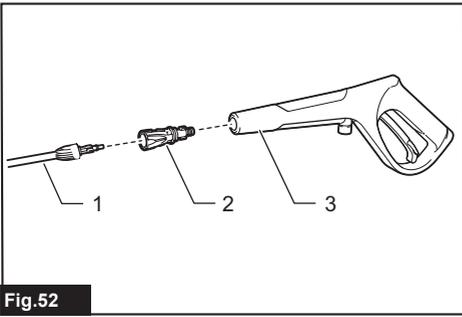


Fig.52

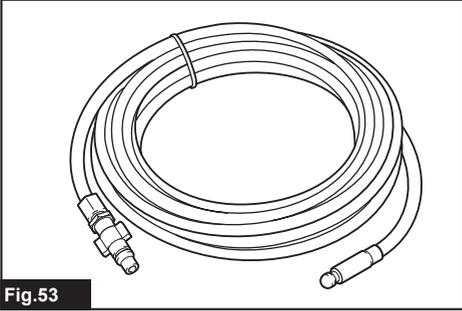


Fig.53

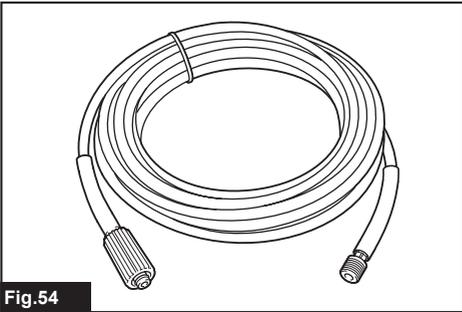


Fig.54

WARNING

- Machines shall not be used by children. Children should be supervised to ensure that they do not play with the machine.
- This machine is not intended for use by persons (including children) with reduced physical, sensory, or mental capabilities, or lack of experience and knowledge.
- This machine has been designed for use with the cleaning agent supplied or recommended by the manufacturer. The use of other cleaning agents or chemicals may adversely affect the safety of the machine.
- High pressure jets can be dangerous if subject to misuse. The jet must not be directed at persons, live electrical equipment or the machine itself.
- Do not use the machine within range of persons unless they wear protective clothing.
- Do not direct the jet against yourself or others in order to clean clothes or foot-wear.
- Risk of explosion – Do not spray flammable liquids.
- High pressure cleaners shall not be used by children or untrained personnel.
- High pressure hoses, fittings and couplings are important for the safety of the machine. Use only hoses, fittings and couplings recommended by the manufacturer.
- To ensure machine safety, use only original spare parts from the manufacturer or approved by the manufacturer.
- Always be sure that the tool is switched off and battery cartridges are removed before carrying out any work on the tool.
- Do not use the machine if important parts of the machine are damaged, e.g. safety devices, high pressure hoses, trigger gun.
- Always remove the battery cartridges when leaving the machine unattended.
- Comply with the requirements of the local water supply company.
- For European countries:
According to EN12729 (BA), the appliance can also be connected to the mains drinking water supply if a backflow preventer valve with drain facility is installed in the supply hose.

SPECIFICATIONS

Model:	DHW080	
Max. feed volume ^{*1}	6.3 L/min	
Water flow rate ^{*2}	High mode	5.5 L/min
	Low mode	4.0 L/min
Max. permissible pressure	8.0 MPa	
Working pressure ^{*2}	High mode	5.5 MPa
	Low mode	3.0 MPa
Max. feed pressure	1.0 MPa	
Max. feed temperature	40 °C	
Max. suction height	1 m	
Rated voltage	D.C. 36 V	
Dimensions (L x W x H)	438 mm x 218 mm x 269 mm	
Weight	7.1 kg - 7.7 kg	

*1 : When using the washing brush.

*2 : When using the spray lance.

- Due to our continuing program of research and development, the specifications herein are subject to change without notice.
- Specifications may differ from country to country.
- The weight may differ depending on the attachment(s), including the battery cartridge. The lightest and heaviest combination, according to EPTA-Procedure 01/2014, are shown in the table.

Applicable battery cartridge and charger

Battery cartridge	BL1815N / BL1820 / BL1820B / BL1830 / BL1830B / BL1840 / BL1840B / BL1850 / BL1850B / BL1860B
Charger	DC18RC / DC18RD / DC18RE / DC18SD / DC18SE / DC18SF / DC18SH

- Some of the battery cartridges and chargers listed above may not be available depending on your region of residence.

⚠ WARNING: Only use the battery cartridges and chargers listed above. Use of any other battery cartridges and chargers may cause injury and/or fire.

Symbols

The followings show the symbols used for the equipment. Be sure that you understand their meaning before use.



Read the instruction manual.



Take particular care and attention.



Only for EU countries
Do not dispose of electric equipment or battery pack together with household waste material!
In observance of the European Directives, on Waste Electric and Electronic Equipment and Batteries and Accumulators and Waste Batteries and Accumulators and their implementation in accordance with national laws, electric equipment and batteries and battery pack(s) that have reached the end of their life must be collected separately and returned to an environmentally compatible recycling facility.



Do not connect to a potable water faucet.



Do not direct the jet at people including yourself, animals, and live electrical equipments.

Intended use

This tool is intended for cleaning stubborn dirt by using water jet. This tool is intended for household use.

Noise

The typical A-weighted noise level determined according to EN60335-2-79:

Sound pressure level (L_{pA}) : 70.9 dB(A)

Uncertainty (K) : 3.6 dB(A)

The noise level under working may exceed 80 dB (A).

NOTE: The declared noise emission value(s) has been measured in accordance with a standard test method and may be used for comparing one tool with another.

NOTE: The declared noise emission value(s) may also be used in a preliminary assessment of exposure.

⚠ WARNING: Wear ear protection.

⚠ WARNING: The noise emission during actual use of the power tool can differ from the declared value(s) depending on the ways in which the tool is used especially what kind of workpiece is processed.

⚠ WARNING: Be sure to identify safety measures to protect the operator that are based on an estimation of exposure in the actual conditions of use (taking account of all parts of the operating cycle such as the times when the tool is switched off and when it is running idle in addition to the trigger time).

Vibration

The vibration total value (tri-axial vector sum) determined according to EN60335-2-79:

Vibration emission (a_h) : 2.5 m/s² or less

Uncertainty (K) : 1.5 m/s²

NOTE: The declared vibration total value(s) has been measured in accordance with a standard test method and may be used for comparing one tool with another.

NOTE: The declared vibration total value(s) may also be used in a preliminary assessment of exposure.

⚠ WARNING: The vibration emission during actual use of the power tool can differ from the declared value(s) depending on the ways in which the tool is used especially what kind of workpiece is processed.

⚠ WARNING: Be sure to identify safety measures to protect the operator that are based on an estimation of exposure in the actual conditions of use (taking account of all parts of the operating cycle such as the times when the tool is switched off and when it is running idle in addition to the trigger time).

EC Declaration of Conformity

For European countries only

The EC declaration of conformity is included as Annex A to this instruction manual.

IMPORTANT SAFETY WARNINGS

⚠ WARNING: Read all safety warnings and all instructions. Failure to follow the warnings and instructions may result in electric shock, fire and/or serious injury.

Save all warnings and instructions for future reference.

WARNING – When using this product, basic precautions should always be followed, including the following:

Work area safety

1. Keep operating area clear of all persons.
2. Do not overreach or stand on unstable supports. Keep good footing and balance at all times.
3. Always place the high pressure washer body on a level and stable surface. Avoid areas where the ejected water will run or pool.
4. Before cleaning, check the surroundings and objects to be cleaned. High pressure jets can scrape away paint or other surface treatments including toxic chemicals. Take the preventive measures if necessary.
5. Be careful not to trip over by the hose of the high pressure washer. Always be aware of the configuration of the hose during operation.
6. During use, a small amount of water will come out from the bottom of the high pressure washer. Avoid locating the high pressure washer in the areas where you don't want to wet.

Personal safety

1. To protect against the jet and objects by the jet, operators should wear appropriate clothing such as safety boots, safety gloves, safety helmets with visors, hearing protection, etc.
2. Do not use the high pressure washer within range of persons unless they wear protective clothing.
3. To reduce the risk of injury, close supervision is necessary when the product is used near children.
4. If connection is made to a potable water system, the system shall be protected against backflow.
5. Water that has flowed through backflow preventer is considered to be non-potable.

Electrical safety

1. Never touch battery cartridges with wet hands.
2. Do not use the machine if the important parts of the machine are damaged, e.g. safety devices, high pressure hoses, or the trigger gun.

Power tool use and care

1. Read all the instructions before using the product.
2. Know how to stop the high pressure washer and bleed pressures quickly. Be thoroughly familiar with the controls.
3. High pressure jets can be dangerous if misused. The jet must not be directed at people, live electrical equipment, or the machine itself.
4. This machine is not intended for use by persons (including children) with reduced physical, sensory, or mental capabilities, or lack of experience and knowledge.
5. Children should be supervised to ensure that they do not play with the appliance.
6. Do not spray flammable and/or toxic liquids. This may cause an explosion, intoxication, or damage to the machine.
7. Do not direct the jet against yourself or others in order to clean clothes or foot-wear.
8. High pressure hoses, fittings and couplings are important for the safety of the machine. Use only hoses, fittings and couplings recommended by the manufacturer.

9. Follow the instructions when changing accessories.
 10. Keep handles dry, clean, and free of oil or grease.
 11. Stay alert – watch what you are doing.
 12. Do not operate the product when fatigued or under the influence of alcohol or drugs.
 13. Do not run the high pressure washer without water for longer than one minute. It will damage the motor, resulting in malfunction.
 14. Always turn off the power and shut off the water mains when leaving the high pressure washer unattended.
 15. Be wary of the kickback. The trigger gun recoils when the high pressure jet is ejected from the nozzle. Hold the trigger gun firmly to prevent accidental injuries.
 16. Check for damaged or worn parts before use. Also make sure that the hose is properly connected and there is no leakage during operation. Operating the machine with functional defects may cause an accident.
 17. This machine has been designed for use with the cleaning agent supplied or recommended by the manufacturer. The use of other cleaning agents or chemicals may adversely affect the safety of the machine.
 18. Do not pull the hose to move the high pressure washer body. This will damage the hose and connecting parts and result in a short circuit or functional defects.
 19. Do not put heavy objects on the hose or let vehicles drive over it.
 20. Always discharge the residual pressure in the trigger gun before disconnecting the hose.
 21. When connecting the hose to the water mains, observe the instructions of your local water-works department or company.
 22. If the high pressure washer is dropped or hits against a hard object, be sure to check for damage and crack. Using the high pressure washer damaged may generate smoke, fire, or cause electric shock, which result in personal injury.
 23. During use of high pressure cleaners, aerosols may be formed. Inhalation of aerosols can be hazardous to health.
 24. Depending on the application, shielded nozzles can be used for high pressure cleaning, which will reduce the emission of hydrous aerosols dramatically. However, not all applications allow the use of such a device. If shielded nozzles are not applicable for the protection against aerosols, a respiratory mask of class FFP 2 or equivalent may be needed, depending on the cleaning environment.
 25. Prevent unintentional starting. Ensure the switch is in the off-position before connecting to battery pack, picking up or carrying the appliance. Carrying the appliance with your finger on the switch or energizing appliance that have the switch on invites accidents.
 26. Disconnect the battery pack from the appliance before making any adjustments, changing accessories, or storing appliance. Such preventive safety measures reduce the risk of starting the appliance accidentally.
 27. Do not modify or attempt to repair the appliance or the battery pack except as indicated in the instructions for use and care.
 28. **WARNING – Risk of Injection or Injury– Do Not Direct Discharge Stream At Persons.**
- Battery tool use and care**
1. **Recharge only with the charger specified by the manufacturer.** A charger that is suitable for one type of battery pack may create a risk of fire when used with another battery pack.
 2. **Use power tools only with specifically designated battery packs.** Use of any other battery packs may create a risk of injury and fire.
 3. **When battery pack is not in use, keep it away from other metal objects, like paper clips, coins, keys, nails, screws or other small metal objects, that can make a connection from one terminal to another.** Shorting the battery terminals together may cause burns or a fire.
 4. **Under abusive conditions, liquid may be ejected from the battery; avoid contact. If contact accidentally occurs, flush with water. If liquid contacts eyes, additionally seek medical help.** Liquid ejected from the battery may cause irritation or burns.
 5. **Do not use a battery pack or tool that is damaged or modified.** Damaged or modified batteries may exhibit unpredictable behaviour resulting in fire, explosion or risk of injury.
 6. **Do not expose a battery pack or tool to fire or excessive temperature.** Exposure to fire or temperature above 130 °C may cause explosion.
 7. **Follow all charging instructions and do not charge the battery pack or tool outside the temperature range specified in the instructions.** Charging improperly or at temperatures outside the specified range may damage the battery and increase the risk of fire.
- Service**
1. **Follow the maintenance instructions specified in the manual.**
 2. **To ensure machine safety, use only original spare parts from the manufacturer or approved by the manufacturer.**
 3. **Have your high pressure washer serviced by a qualified repair person using only identical replacement parts. This will ensure that the safety of the high pressure washer is maintained.**
 4. **In case of breakdown or malfunction of the high pressure washer, immediately switch it off and remove the battery cartridge(s). Contact your local dealer or service center.**
- Additional safety warnings**
1. **Comply with the requirements of the local water supply company.**
 2. **Do not use the tool when there is a risk of lightning.**
 3. **When you use the tool on muddy ground, wet slope, or slippery place, pay attention to your footing.**
 4. **Avoid working in poor environment where increased user fatigue is expected.**
 5. **Do not replace the battery in the rain.**

6. Do not submerge the tool into a puddle.
7. Do not leave the tool unattended outdoors in the rain.
8. When wet leaves or dirt adhere to the suction mouth (ventilation window) due to rain, remove them.
9. Do not wash the tool with high pressure water.
10. When washing the tool, do not let water enter the electrical mechanism such as battery, motor, and terminals.
11. When storing the tool, avoid direct sunlight and rain, and store it in a place where it does not get hot or humid.
12. Perform inspection or maintenance in a place where rain can be avoided.
13. After using the tool, remove the adhered dirt and dry the tool completely before storing. Depending on the season or the area, there is a risk of malfunction due to freezing.
14. Do not wet the terminal of battery with liquid such as water, or submerge the battery. Do not leave the battery in the rain, nor charge, use, or store the battery in a damp or wet place. If the terminal gets wet or liquid enters inside of battery, the battery may be short circuited and there is a risk of overheat, fire, or explosion.
15. After removing the battery from the tool or charger, be sure to attach the battery cover to the battery and store it in a dry place.
16. Do not replace the battery with wet hands.

Additional safety warnings

1. Comply with the requirements of the local water supply company.
2. Do not use a corded power supply such as battery adapter or portable power pack with this appliance. The cable of such power supply may hinder the operation and result in personal injury.

SAVE THESE INSTRUCTIONS.

⚠WARNING: DO NOT let comfort or familiarity with product (gained from repeated use) replace strict adherence to safety rules for the subject product.

MISUSE or failure to follow the safety rules stated in this instruction manual may cause serious personal injury.

Important safety instructions for battery cartridge

1. Before using battery cartridge, read all instructions and cautionary markings on (1) battery charger, (2) battery, and (3) product using battery.
2. Do not disassemble battery cartridge.
3. If operating time has become excessively shorter, stop operating immediately. It may result in a risk of overheating, possible burns and even an explosion.
4. If electrolyte gets into your eyes, rinse them out with clear water and seek medical attention right away. It may result in loss of your eyesight.

5. Do not short the battery cartridge:
 - (1) Do not touch the terminals with any conductive material.
 - (2) Avoid storing battery cartridge in a container with other metal objects such as nails, coins, etc.
 - (3) Do not expose battery cartridge to water or rain.

A battery short can cause a large current flow, overheating, possible burns and even a breakdown.

6. Do not store the tool and battery cartridge in locations where the temperature may reach or exceed 50 °C (122 °F).
7. Do not incinerate the battery cartridge even if it is severely damaged or is completely worn out. The battery cartridge can explode in a fire.
8. Be careful not to drop or strike battery.
9. Do not use a damaged battery.
10. The contained lithium-ion batteries are subject to the Dangerous Goods Legislation requirements. For commercial transports e.g. by third parties, forwarding agents, special requirement on packaging and labeling must be observed. For preparation of the item being shipped, consulting an expert for hazardous material is required. Please also observe possibly more detailed national regulations. Tape or mask off open contacts and pack up the battery in such a manner that it cannot move around in the packaging.
11. When disposing the battery cartridge, remove it from the tool and dispose of it in a safe place. Follow your local regulations relating to disposal of battery.
12. Use the batteries only with the products specified by Makita. Installing the batteries to non-compliant products may result in a fire, excessive heat, explosion, or leak of electrolyte.
13. If the tool is not used for a long period of time, the battery must be removed from the tool.

SAVE THESE INSTRUCTIONS.

⚠CAUTION: Only use genuine Makita batteries. Use of non-genuine Makita batteries, or batteries that have been altered, may result in the battery bursting causing fires, personal injury and damage. It will also void the Makita warranty for the Makita tool and charger.

Tips for maintaining maximum battery life

1. Charge the battery cartridge before completely discharged. Always stop tool operation and charge the battery cartridge when you notice less tool power.
2. Never recharge a fully charged battery cartridge. Overcharging shortens the battery service life.
3. Charge the battery cartridge with room temperature at 10 °C - 40 °C (50 °F - 104 °F). Let a hot battery cartridge cool down before charging it.
4. Charge the battery cartridge if you do not use it for a long period (more than six months).

FUNCTIONAL DESCRIPTION

CAUTION: Always be sure that the tool is switched off and the battery cartridge is removed before adjusting or checking function on the tool.

Installing or removing battery cartridge

CAUTION: Always switch off the tool before installing or removing of the battery cartridge.

CAUTION: Hold the tool and the battery cartridge firmly when installing or removing battery cartridge. Failure to hold the tool and the battery cartridge firmly may cause them to slip off your hands and result in damage to the tool and battery cartridge and a personal injury.

To install the battery cartridge, open the cover while pushing the lock lever. Align the tongue on the battery cartridge with the groove in the housing and slip it into place. Insert it all the way until it locks in place with a little click. If you can see the red indicator on the upper side of the button, it is not locked completely. After installing or removing the battery cartridges, be sure to close the cover.

► Fig.1: 1. Cover 2. Lock lever

To remove the battery cartridges, lift the battery cartridge while pushing the button on the front of the cartridge.

► Fig.2: 1. Red indicator 2. Button 3. Battery cartridge

CAUTION: Always install the battery cartridge fully until the red indicator cannot be seen. If not, it may accidentally fall out of the tool, causing injury to you or someone around you.

CAUTION: Do not install the battery cartridge forcibly. If the cartridge does not slide in easily, it is not being inserted correctly.

CAUTION: Be sure to lock the cover before operating.

Tool / battery protection system

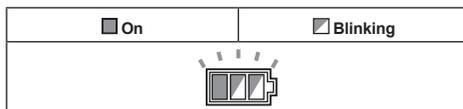
The tool is equipped with a tool/battery protection system. This system automatically cuts off power to the motor to extend tool and battery life. The tool will automatically stop during operation if the tool or battery is placed under one of the following conditions:

Overload protection

When the battery is operated in a manner that causes it to draw an abnormally high current, the tool automatically stops without any indication. In this situation, turn the tool off and stop the application that caused the tool to become overloaded. Then turn the tool on to restart.

Overheat protection

When the tool is overheated, the tool stops automatically and the battery indicator blinks. In this situation, let the tool cool down before turning the tool on again.



Overdischarge protection

When the battery capacity is not enough, the tool stops automatically. In this case, remove the battery from the tool and charge the battery.

Indicating the remaining battery capacity

Only for battery cartridges with the indicator

► Fig.3: 1. Indicator lamps 2. Check button

Press the check button on the battery cartridge to indicate the remaining battery capacity. The indicator lamps light up for a few seconds.

Indicator lamps			Remaining capacity
Lighted	Off	Blinking	
■ ■ ■ ■			75% to 100%
■ ■ ■ □			50% to 75%
■ ■ □ □			25% to 50%
■ □ □ □			0% to 25%
▬ □ □ □			Charge the battery.
■ ■ □ □			The battery may have malfunctioned.
□ □ ■ ■			

NOTE: Depending on the conditions of use and the ambient temperature, the indication may differ slightly from the actual capacity.

Indicating the remaining battery capacity

NOTICE: The battery indicator does not light when the power switch is in OFF position. To check the remaining battery capacity, turn the power switch to high or low pressure mode.

Press the check button to indicate the remaining battery capacities. The battery indicators correspond to each battery.

► Fig.4: 1. Battery indicator 2. Check button

Battery indicator status			Remaining battery capacity
On	Off	Blinking	
			50% to 100%
			20% to 50%
			0% to 20%
			Charge the battery

Power switch

NOTICE: Do not turn the power switch forcibly. This may cause the switch to malfunction.

Turn the power switch clockwise or counterclockwise depending on the pressure level. Turn the power switch clockwise for high pressure mode, counterclockwise for low pressure mode.

► **Fig.5:** 1. Low pressure mode 2. OFF position 3. High pressure mode

NOTE: The battery indicators will light up for a few seconds when turning the power switch to high or low pressure mode.

Nozzle functions

NOTE: The standard nozzles vary depending on the country. Also refer to the OPTIONAL ACCESSORIES section for other nozzles.

Spray lance

Country specific

► **Fig.6**

Jet width can be adjusted from 0° to 25° by rotating the front end of the nozzle.

CAUTION: When adjusting the jet width, do not rotate the nozzle while pulling it toward the trigger gun. The nozzle may come off from the trigger gun and cause a personal injury.

Dirt blaster

Country specific

► **Fig.7**

A spiral jet is ejected. Suitable for removing stubborn dirt.

NOTICE: Do not use the dirt blaster to clean fragile surfaces such as windows or car bodies.

Trigger operations

Pull the trigger to eject a water jet. The jet continues as long as the trigger is squeezed. The trigger can be locked for safe handling of the trigger gun. To lock the trigger, pull out the stopper and hook it to the groove on the grip.

► **Fig.8:** 1. Trigger 2. Stopper 3. Groove

NOTICE: To avoid mechanical error in the pressure switch, always leave a two-second interval between trigger operations.

Safety valve

This appliance is equipped with a safety valve that prevents undue overpressure. When the trigger is released, the valve opens and the water recirculates through the pump inlet.

CAUTION: Do not tamper with or adjust the safety valve setting.

Supplying water from a tank/reservoir

You can supply water from a tank or reservoir instead of a faucet.

Replace the water hose connector with the suction hose set. When connecting the suction hose set, disconnect the filter case from the hose and attach the filter case to the inlet of the high pressure washer. Then, connect the hose to the filter case.

NOTE: When removing/connecting the hose from/to the filter case, turn the sleeve while holding the hose so that the hose does not rotate with the sleeve.

► **Fig.9:** 1. Tank/reservoir 2. Suction hose set 3. Water hose connector 4. Hose 5. Filter case 6. Inlet on the high pressure washer 7. Hose band 8. Sleeve

CAUTION: When attaching the sleeve to the filter case, be careful not to hurt your hand by the hose band.

NOTICE: Always use Makita's suction hose set.

NOTICE: Always keep 1 m (3.28 ft) or less in height between the inlet of the high pressure washer and the water surface. Otherwise, the high pressure washer will be unable to take the water up into the pump.

To introduce water into the hose, remove the nozzle from the trigger gun and switch on the high pressure washer while the trigger is squeezed. Once water is ejected stably from the trigger gun, release the trigger and attach the nozzle for your purpose.

► **Fig.10:** 1. Trigger gun

NOTE: When water is not ejected, detach the suction hose set and soak it in water. Then reconnect it to the high-pressure washer.

► **Fig.11:** 1. Suction hose set

When using the container as a water tank

You can use the container supplied with the high pressure washer (country specific) as a water tank.

1. Empty the container and feed water in it.

► **Fig.12:** 1. Full water level line

NOTICE: Do not feed water above the full water level line.

NOTICE: The lid of the container is not a tight seal type. Be careful not to spill the water in the container when carrying.

2. Disconnect the filter case from the hose of the suction hose set.

► **Fig.13:** 1. Hose 2. Filter case

3. Remove the cap on the feed-water inlet and pass the suction hose set through the inlet as illustrated.

► **Fig.14:** 1. Cap 2. Cap holder 3. Feed-water inlet 4. Suction hose set

NOTE: The cap on the feed-water inlet can be rest on the cap holder.

4. Remove the water hose connector from the inlet of the high pressure washer. After that, connect the filter case to the inlet and then hose to the filter case.

► **Fig.15:** 1. Inlet of the high pressure washer 2. Filter case 3. Water hose connector 4. Hose

5. Put the high pressure washer onto the container so that it is secured with the mounts on the lid of the container.

► **Fig.16:** 1. High pressure washer 2. Lid 3. Air bleeding hole

NOTICE: Pay attention to the handling of the container when carrying. Carrying the container with high pressure washer and accessories or water inside may cause accident or personal injury due to its own weight.

NOTICE: When carrying the container, do not shake, turnover, or lean it excessively. Doing so may cause;

- the water inside spilled out;
- the high pressure washer on the lid dropped off from the container or;
- the rotation of the container's wheels hindered.

NOTICE: When carrying the container by the handle, water may spill out if there is plenty of water inside.

NOTICE: Water may come out from the air bleeding hole if the water inside reaches to the air bleeding hole by tilting the container.

NOTICE: Do not step on the container. The lid may be broken.

NOTICE: Do not leave the container filled with water for a long time. Doing so may cause the container damaged and result in water leakage.

After use, follow the procedure below:

1. Remove the cap on the drain outlet and discharge water.

► **Fig.17:** 1. Drain outlet

2. Wipe off the moisture inside of the container using a cloth and then dry the container completely.

NOTICE: Do not store the high pressure washer and the accessories while the inside of the container is wet. Remaining moisture may cause malfunction and rust.

ASSEMBLY

CAUTION: Always be sure that the tool is switched off and the battery cartridge is removed before carrying out any work on the tool.

Connecting the high-pressure hose

Connect the high-pressure hose to the outlet (with the gun marking). Turn the nut on the high-pressure hose clockwise while screwing it onto the screw thread of the outlet.

► **Fig.18:** 1. Outlet 2. Nut

CAUTION: Make sure that the high-pressure hose is securely connected. A loose connection may blow the high-pressure hose off, resulting in a personal injury.

Attaching the trigger gun

Connect the high-pressure hose to the inlet on the trigger gun. Turn the nut on the high-pressure hose clockwise while screwing it onto the screw thread on the inlet.

► **Fig.19:** 1. Inlet 2. Nut

CAUTION: Make sure that the high-pressure hose is securely connected. A loose connection may blow the high-pressure hose off, resulting in a personal injury.

Connecting to a faucet

CAUTION: Always use a pressure-resistant water hose with \varnothing 13 mm or larger diameter and connect to the faucet using a proper fittings. Otherwise, the water hose and/or the fitting may break and cause personal injury.

NOTICE: Use a pressure-resistant water hose as short as possible. The amount of intake water should be higher than the max feed volume of the pump.

NOTICE: If you connect to the mains for drinking water, use a backflow preventer valve which meets the regulations in your region.

Prepare a pressure-resistant water hose. Attach the coupling sleeve to one end and connect the other end to the faucet as follows.

1. Remove the nut on the coupling sleeve and pass the pressure-resistant water hose through the nut. Insert the end of the hose into the coupling sleeve and then tighten the nut.

► **Fig.20:** 1. Pressure-resistant water hose 2. Nut of the coupling sleeve 3. Coupling sleeve

NOTE: If you want to connect the pressure-resistant water hose to the faucet using a coupling sleeve, prepare another coupling sleeve and attach it to the other end of the hose.

2. Connect the pressure-resistant water hose to the faucet. Apply a suitable fitting such as hose band or water tap joint to secure the hose end with the faucet.

► **Fig.21:** 1. Hose band 2. Water tap joint 3. Pressure-resistant water hose

NOTE: The fitting depends on the shape of the faucet to which you connect. Prepare a suitable commercially-bought fitting.

3. Attach the water hose connector to the inlet (with the faucet marking) and then insert the coupling sleeve.

► **Fig.22:** 1. Coupling sleeve 2. Water hose connector 3. Inlet on the high pressure washer

Connecting/disconnecting the nozzle

CAUTION: Always lock the trigger of the trigger gun when connecting/disconnecting the nozzle.

Insert the end of the nozzle into the slot on the trigger gun and turn it in the direction of the arrow as shown in the figure. To disconnect the nozzle, turn the nozzle in the reverse direction while pressing it toward the trigger gun.

► **Fig.23:** 1. Trigger gun 2. Slot 3. End of the nozzle

Connecting the foam nozzle

Optional accessory

CAUTION: Always lock the trigger of the trigger gun when connecting/disconnecting the nozzle.

Prepare detergent before using the foam nozzle.

1. Remove the nozzle from the tank by rotating the nozzle counterclockwise. Attach the nozzle to the trigger gun.

► **Fig.24:** 1. Nozzle 2. Trigger gun

2. Pour the detergent into the tank and install it to the nozzle.

► **Fig.25:** 1. Tank

NOTICE: Always use neutral detergent. Acidic or alkaline detergent may damage the tank or nozzle.

Placing plastic carrying case onto the container

Optional accessory

You can place Makita plastic carrying case on the top of the container. Put the plastic carrying case onto the container so that it is secured with the mounts on the lid of the container.

► **Fig.26:** 1. Plastic carrying case 2. Mount

Placing the container onto the trolley

Optional accessory

When carrying the container with Makita trolley, place the container in position. Be sure that the bottom of the container fits into the platform of the trolley.

► **Fig.27:** 1. Bottom surface of the container 2. Platform of the trolley

CAUTION: When using the trolley, do not carry the container filled with water. Doing so may lose the balance and result in personal injury or cause deformation of the container which leads to water leakage.

OPERATION

WARNING: Do not touch the water jet or direct it toward yourself or others. The water jet is dangerous and can hurt you or others.

WARNING: When shooting the water jet, never hold the object that you are cleaning or place your hands and feet near the water jet.

CAUTION: Stay alert to the rebound of the water jet and blown objects. Do not bring the nozzle to the object closer to 30 cm .

CAUTION: Do not run the high pressure washer without water for longer than 1 minute.

CAUTION: Do not operate the high pressure washer for an extended period of time. This may cause overheating or fire. Also, long-term use may cause vibration disorder.

CAUTION: Be aware of the direction of the wind. If the detergent gets into your eyes or mouth, rinse with fresh water immediately and seek medical attention if necessary.

NOTICE: Avoid using the high pressure washer for longer than 1 hour. After using it for 1 hour, leave a same length of intermission.

NOTICE: To protect the mechanism of the high pressure washer, do not use water hotter than 40°C.

1. Connect one end of the high-pressure hose to the trigger gun and the other end to the high pressure washer.
2. Connect the high pressure washer and the faucet using a water hose. After that, open the faucet.
▶ Fig.28
3. Open the cover and install the battery cartridges into the high pressure washer and then lock the cover.
▶ Fig.29: 1. Battery cartridge 2. Cover
4. Turn the power switch to your desired mode.
▶ Fig.30: 1. Low pressure mode 2. OFF position 3. High pressure mode
5. To eject a water jet, unlock the stopper and squeeze the trigger. The jet continues as long as the trigger is squeezed.
▶ Fig.31: 1. Stopper

CAUTION: Hold the trigger gun firmly. The trigger gun recoils when you pull the trigger.

CAUTION: Always hold the trigger gun by the grip and barrel when ejecting water jet.

NOTICE: Be careful not to pull the trigger gun forcibly during operation. It may cause the high pressure washer to fall over.

When you suspend the operation, you can temporarily place the trigger gun as shown in the figure.

▶ Fig.32

After use

CAUTION: After operating the high pressure washer, always perform the procedure described in this manual. Residual pressure in the trigger gun or high pressure washer can cause personal injury or damage to the pump inside.

1. Switch off the high pressure washer.
2. Close the faucet and disconnect the water hose from the high pressure washer.
▶ Fig.33
3. Switch on the high pressure washer again.
4. Squeeze the trigger until the remaining water in the high pressure washer is discharged.
▶ Fig.34

NOTICE: Do not run the motor for longer than 1 minute.

5. Switch off the high pressure washer and remove the battery cartridges.
▶ Fig.35: 1. Power switch 2. Battery cartridge
6. Disconnect the high-pressure hose from the trigger gun and the high pressure washer.
▶ Fig.36: 1. Trigger gun 2. High-pressure hose 3. High-pressure washer

NOTICE: To prevent the high-pressure hose from being damaged, remove the remaining water in the hose before storing.

MAINTENANCE & STORAGE

CAUTION: Always be sure that the tool is switched off and battery cartridge is removed before attempting to perform inspection or maintenance.

NOTICE: Never use gasoline, benzine, thinner, alcohol or the like. Discoloration, deformation or cracks may result.

To maintain product SAFETY and RELIABILITY, repairs, any other maintenance or adjustment should be performed by Makita Authorized or Factory Service Centers, always using Makita replacement parts.

Cleaning the nozzle

Use the cleaner pin to remove dirt from or unclog the nozzle.

▶ Fig.37: 1. Cleaner pin

NOTICE: Do not remove dirt or debris forcibly. This may result in personal injury or damage to the ejection hole causing deviated jet angles or poor performance.

Cleaning the filter

Detach the water hose connector and remove dirt and debris from the inside of the filter.

▶ Fig.38: 1. Water hose connector 2. Filter 3. Sealing ring

When using the suction hose set (optional accessory), take the filter out of the filter case and remove dirt and debris.

▶ Fig.39: 1. Filter 2. Filter case

NOTE: To maintain the optimal performance, clean the filter periodically.

Storage

CAUTION: Always store in an indoor location where the temperature does not go below freezing. If the high pressure washer freezes and malfunctions, contact your local service center for repairs.

Store the accessories in the side pocket of the high pressure washer.

Storage example

▶ Fig.40: 1. High-pressure hose 2. Nozzle 3. Trigger gun

If your model is supplied with the container, store the high pressure washer and accessories in it.

Storage example

▶ Fig.41: 1. High pressure washer 2. Nozzle 3. Trigger gun 4. Washing brush 5. Foam nozzle 6. High-pressure hose 7. Charger 8. Suction hose set 9. Pressure-resistant water hose

NOTE: Some accessories shown in the illustration are supplied as optional accessories in some countries.

TROUBLESHOOTING

Before asking for repairs, conduct your own inspection first. If you find a problem that is not explained in the manual, do not attempt to dismantle the tool. Instead, ask Makita Authorized Service Centers, always using Makita replacement parts for repairs.

State of abnormality	Probable cause (malfunction)	Remedy
The washer does not start.	No electricity	Install charged battery cartridges.
	The switch is not turned on.	Turn on the switch.
	Residual pressure in the pump	Pull the trigger.
	Damaged battery or electric circuit	Contact an authorized service center for repairs.
No water jet / weak water jet	No water supply	Make sure that the faucet is open. If using the suction hose set, introduce water into the hose.
	Poor water supply	Turn on the faucet.
	Poor water hose connection	Check the connection between the high pressure washer and the water faucet.
	Clogged hose, filter, or nozzle	Unclog the hose, filter, or nozzle.
	Air is blocking the flow of water.	Turn off the switch and then turn it on again while squeezing the trigger.
	Damaged or worn nozzle	Replace the nozzle.
	Pump or valve malfunction	Contact an authorized service center for repairs.
Unstable water jet	Clogged nozzle	Unclog on the ejection hole of the nozzle using the cleaner pin.
	Poor water suction	Check the water hose starting from the faucet for any leakage or clogs. Turn on the faucet.
	The water is too hot.	Supply cooler water.
	Valve malfunction	Contact an authorized service center for repairs.
Abnormal sound	The water is too hot.	Supply cooler water.
	Air is stuck in the pump.	Contact an authorized service center for repairs.
Water leakage	Poor connection	Check the connection between the high pressure washer and trigger gun and as well as the water faucet.
	Worn out sealings	Contact an authorized service center for repairs.

OPTIONAL ACCESSORIES

CAUTION: These accessories or attachments are recommended for use with your Makita tool specified in this manual. The use of any other accessories or attachments might present a risk of injury to persons. Only use accessory or attachment for its stated purpose.

If you need any assistance for more details regarding these accessories, ask your local Makita Service Center.

NOTE: Some items in the list may be included in the tool package as standard accessories. They may differ from country to country.

Vario-Power spray lance

► Fig.42

Jet pressure can be adjusted by rotating the nozzle.

CAUTION: When adjusting the jet pressure, do not rotate the nozzle while pulling it toward the trigger gun. The nozzle may come off from the trigger gun and cause a personal injury.

Foam nozzle

Country specific

► Fig.43

Detergent can be sprayed as foam.

Washing brush (long)

► Fig.44

A nozzle equipped with a brush. Useful for washing out dirt while scrubbing with brush.

Suction hose set

► Fig.45

Replace the water hose with this set to supply water from a tank or reservoir.

Rotating wash brush

► Fig.46

Three brushes inside rotate slowly when ejecting the jet. Suitable for cleaning light dirt on a exterior wall, car body, bath tub, etc.

Lance extension

► Fig.47

Pipes to extend the length of the trigger gun. Three different lengths are available by changing the number of the pipes to be used.

Under body spray lance

► Fig.48

An extra long spray lance with angled nozzle. Best for cleaning hard-to-reach areas such as car under body and roof gutter.

⚠CAUTION: Do not use the under body spray lance with the lance extension.

Splash guard

► Fig.49

Reduces splash back when cleaning corners with the dirt blaster.

Swivel joint

► Fig.50

Prevents the high-pressure hose from being twisted.

Connecting joint

► Fig.51

A joint to connect with a nozzle from other model.

Some optional nozzles require the connecting joint (optional accessory) to attach to the trigger gun. Attach the connecting joint to the trigger gun in the same way as the nozzle.

► Fig.52: 1. Nozzle 2. Connecting joint 3. Trigger gun

NOTE: The connecting joint is needed when using the nozzles included with another model, HW112 or HW121.

Pipe-cleaning set (10 m/15 m)

► Fig.53

For cleaning and unclogging plumbing and downpipes.

⚠CAUTION: Pay particular attention to the water jet when using the pipe cleaning set. Highly intense water jet is ejected backward. Be sure to insert the hose head into the pipe before pulling the trigger.

Extension high-pressure hose

(5 m/8 m/10 m)

► Fig.54

Extension hose to connect the high pressure washer body with the trigger gun.

AVERTISSEMENT

- Les machines ne doivent pas être utilisées par des enfants. Les enfants doivent être sous la surveillance d'un adulte afin de s'assurer qu'ils ne jouent pas avec la machine.
- Cette machine n'est pas destinée à être utilisée par des personnes (y compris les enfants) aux facultés physiques, sensorielles ou mentales diminuées ou sans expérience ni expertise.
- Cette machine a été conçue pour être utilisée avec le produit nettoyant fourni ou recommandé par le fabricant. L'utilisation d'autres produits nettoyants ou chimiques peut nuire à la sécurité de la machine.
- Les jets haute pression peuvent être dangereux s'ils sont utilisés à mauvais escient. Le jet ne doit pas être dirigé vers des personnes, un appareil électrique sous tension ou la machine elle-même.
- N'utilisez pas la machine à portée de personnes à moins qu'elles ne portent des vêtements protecteurs.
- Ne dirigez pas le jet vers vous-même ou d'autres personnes pour nettoyer les vêtements ou les chaussures.
- Risque d'explosion - Ne pulvérisez pas de liquides inflammables.
- Un nettoyeur haute pression ne doit pas être utilisé par des enfants ou un personnel non formé.
- Les tuyaux haute pression, les raccords et les manchons sont importants pour la sécurité de la machine. N'utilisez que les tuyaux, raccords et manchons recommandés par le fabricant.
- Pour garantir la sécurité de la machine, utilisez uniquement des pièces de rechange d'origine fournies par le fabricant ou approuvées par celui-ci.
- Assurez-vous toujours que l'outil est éteint et que les batteries sont retirées avant de procéder à n'importe quelle tâche sur l'outil.
- N'utilisez pas la machine si des pièces importantes de la machine sont endommagées, à savoir les dispositifs de sécurité, les tuyaux haute pression ou le pistolet à gâchette.
- Retirez toujours les batteries de la machine lorsque vous la laissez sans surveillance.

- Respectez les exigences de la compagnie des eaux locale.
- Pour les pays européens :
Selon EN12729 (BA), l'appareil peut également être raccordé à l'arrivée d'eau potable si un disconnecteur hydraulique avec dispositif de vidange est installé sur le tuyau d'alimentation.

SPÉCIFICATIONS

Modèle :		DHW080
Débit max. ^{*1}		6,3 L/min
Débit volumétrique d'eau ^{*2}	Mode haute pression	5,5 L/min
	Mode basse pression	4,0 L/min
Pression max. admise		8,0 MPa
Pression de fonctionnement ^{*2}	Mode haute pression	5,5 MPa
	Mode basse pression	3,0 MPa
Pression d'alimentation max.		1,0 MPa
Température d'alimentation max.		40 °C
Hauteur d'aspiration max.		1 m
Tension nominale		36 V CC
Dimensions (L x P x H)		438 mm x 218 mm x 269 mm
Poids		7,1 - 7,7 kg

*1 : Lorsque vous utilisez la brosse de lavage.

*2 : Lorsque vous utilisez la lance de pulvérisation.

- Étant donné l'évolution constante de notre programme de recherche et de développement, les spécifications contenues dans ce manuel sont sujettes à modification sans préavis.
- Les spécifications peuvent varier suivant les pays.
- Le poids peut être différent selon les accessoires, notamment la batterie. Les associations la plus légère et la plus lourde, conformément à la procédure EPTA 01/2014, sont indiquées dans le tableau.

Batterie et chargeur applicables

Batterie	BL1815N / BL1820 / BL1820B / BL1830 / BL1830B / BL1840 / BL1840B / BL1850 / BL1850B / BL1860B
Chargeur	DC18RC / DC18RD / DC18RE / DC18SD / DC18SE / DC18SF / DC18SH

- Certains chargeurs et batteries répertoriés ci-dessus peuvent ne pas être disponibles selon la région où vous résidez.

⚠ AVERTISSEMENT : N'utilisez que les batteries et les chargeurs répertoriés ci-dessus. L'utilisation d'autres batteries et chargeurs peut provoquer des blessures et/ou un incendie.

Symboles

Vous trouverez ci-dessous les symboles utilisés pour l'appareil. Veuillez à comprendre leur signification avant toute utilisation.



Lire le mode d'emploi.



Veuillez être prudent et rester attentif.



Pour les pays de l'Union européenne uniquement
Ne jetez pas les appareils électriques ou les batteries avec vos ordures ménagères ! Conformément aux directives européennes relatives aux déchets d'équipements électriques et électroniques et aux piles et accumulateurs ainsi qu'aux déchets de piles et d'accumulateurs et leur mise en œuvre conformément aux lois nationales, les équipements électriques, les piles et les batteries en fin de vie doivent faire l'objet d'une collecte sélective et être confiés à une usine de recyclage respectueuse de l'environnement.



Ne raccordez pas la machine à un robinet d'eau potable.



Ne dirigez pas le jet vers vous-même ou d'autres personnes, des animaux et des appareils électriques sous tension.

Utilisations

Cet outil est conçu pour le nettoyage des saletés tenaces grâce à un jet d'eau. Cet outil est conçu pour un usage domestique.

Bruit

Niveau de bruit pondéré A typique, déterminé selon EN60335-2-79 :

Niveau de pression sonore (L_{pA}) : 70,9 dB (A)

Incertitude (K) : 3,6 dB (A)

Le niveau de bruit en fonctionnement peut dépasser 80 dB (A).

NOTE : La ou les valeurs d'émission de bruit déclarées ont été mesurées conformément à la méthode de test standard et peuvent être utilisées pour comparer les outils entre eux.

NOTE : La ou les valeurs d'émission de bruit déclarées peuvent aussi être utilisées pour l'évaluation préliminaire de l'exposition.

⚠ AVERTISSEMENT : Portez un serre-tête antibruit.

⚠ AVERTISSEMENT : L'émission de bruit lors de l'usage réel de l'outil électrique peut être différente de la ou des valeurs déclarées, suivant la façon dont l'outil est utilisé, particulièrement selon le type de pièce usinée.

⚠ AVERTISSEMENT : Les mesures de sécurité à prendre pour protéger l'utilisateur doivent être basées sur une estimation de l'exposition dans des conditions réelles d'utilisation (en tenant compte de toutes les composantes du cycle d'utilisation, comme par exemple le moment de sa mise hors tension, lorsqu'il tourne à vide et le moment de son déclenchement).

Vibrations

Valeur totale de vibrations (somme de vecteur triaxial) déterminée selon EN60335-2-79 :

Émission de vibrations (a_n) : 2,5 m/s² ou moins

Incertitude (K) : 1,5 m/s²

NOTE : La ou les valeurs de vibration totales déclarées ont été mesurées conformément à la méthode de test standard et peuvent être utilisées pour comparer les outils entre eux.

NOTE : La ou les valeurs de vibration totales déclarées peuvent aussi être utilisées pour l'évaluation préliminaire de l'exposition.

⚠ AVERTISSEMENT : L'émission de vibrations lors de l'usage réel de l'outil électrique peut être différente de la ou des valeurs déclarées, suivant la façon dont l'outil est utilisé, particulièrement selon le type de pièce usinée.

⚠ AVERTISSEMENT : Les mesures de sécurité à prendre pour protéger l'utilisateur doivent être basées sur une estimation de l'exposition dans des conditions réelles d'utilisation (en tenant compte de toutes les composantes du cycle d'utilisation, comme par exemple le moment de sa mise hors tension, lorsqu'il tourne à vide et le moment de son déclenchement).

Déclaration de conformité CE

Pour les pays européens uniquement

La déclaration de conformité CE est fournie en Annexe A à ce mode d'emploi.

CONSIGNES DE SÉCURITÉ IMPORTANTES

⚠ AVERTISSEMENT : Lisez toutes les consignes de sécurité et toutes les instructions. Il y a risque d'électrocution, d'incendie et/ou de graves blessures si les mises en garde et les instructions ne sont pas respectées.

Conservez toutes les mises en garde et instructions pour référence ultérieure.

AVERTISSEMENT - Lors de l'utilisation de ce produit, certaines précautions élémentaires doivent toujours être prises, dont les suivantes :

Sécurité de la zone de travail

1. Éloignez les personnes de la zone d'utilisation.
2. Ne vous penchez pas trop loin, ni ne vous tenez sur une base instable. Maintenez constamment une bonne assise et un bon équilibre.
3. Placez toujours le corps du nettoyeur haute pression sur une surface plane et stable. Évitez les endroits où l'eau projetée s'écoulera ou s'accumulera.
4. Avant le nettoyage, inspectez les environs et les objets à nettoyer. Les jets haute pression peuvent décoller la peinture ou les autres traitements de surface, y compris les produits chimiques toxiques. Prenez les mesures de prévention requises.
5. Prenez garde de ne pas trébucher sur le tuyau du nettoyeur haute pression. Soyez toujours attentif à la configuration du tuyau pendant l'utilisation.
6. Pendant l'utilisation, une petite quantité d'eau s'échappera du bas du nettoyeur haute pression. Évitez de placer le nettoyeur haute pression dans un endroit que vous ne souhaitez pas mouiller.

Sécurité personnelle

1. Pour se protéger du jet et des objets propulsés par le jet, l'utilisateur doit porter des vêtements appropriés comme des chaussures de sécurité, des gants de sécurité, un casque de chantier avec visière, des protège-tympans, etc.
2. N'utilisez pas le nettoyeur haute pression à portée des personnes à moins qu'elles ne portent des vêtements protecteurs.
3. Afin de réduire le risque de blessure, il est nécessaire de redoubler d'attention lors de l'utilisation du produit à proximité d'enfants.
4. En cas de connexion à un réseau d'eau potable, une protection contre les reflux est nécessaire.
5. L'eau ayant circulé à travers un disconnecteur hydraulique n'est pas considérée potable.

Sécurité électrique

1. Ne touchez jamais les batteries avec les mains mouillées.
2. N'utilisez pas la machine si des pièces importantes de la machine sont endommagées, à savoir les dispositifs de sécurité, les tuyaux haute pression ou le pistolet à gâchette.

Utilisation et entretien des outils électriques

1. Lisez toutes les instructions avant d'utiliser le produit.
2. Vous devez savoir comment rapidement arrêter le nettoyeur haute pression et abaisser la pression. Vous devez bien vous familiariser avec les commandes.
3. Les jets haute pression peuvent être dangereux s'ils sont utilisés à mauvais escient. Le jet ne doit pas être dirigé vers les personnes, un appareil électrique sous tension ou la machine elle-même.
4. Cette machine n'est pas destinée à être utilisée par des personnes (y compris les enfants) aux facultés physiques, sensorielles ou mentales diminuées ou sans expérience ni expertise.
5. Les enfants doivent être sous la surveillance d'un adulte afin de s'assurer qu'ils ne jouent pas avec l'appareil.
6. Ne pulvérisez pas de liquides inflammables et/ou toxiques. Cela pourrait provoquer une explosion, une intoxication ou des dégâts à la machine.
7. Ne dirigez pas le jet vers vous-même ou d'autres personnes pour nettoyer les vêtements ou les chaussures.
8. Les tuyaux haute pression, les raccords et les manchons sont importants pour la sécurité de la machine. N'utilisez que les tuyaux, raccords et manchons recommandés par le fabricant.
9. Suivez les instructions lors du remplacement des accessoires.
10. Gardez les poignées sèches, propres et sans trace d'huile ou de graisse.
11. Restez vigilant - surveillez vos gestes.
12. N'utilisez pas le produit si vous êtes fatigué ou sous l'emprise de drogues, de médicaments ou d'alcool.

13. Ne faites pas fonctionner le nettoyeur haute pression sans eau pendant plus d'une minute. Cela endommagera le moteur, provoquant un dysfonctionnement.
14. Éteignez toujours le nettoyeur haute pression et coupez l'arrivée d'eau lorsque vous le laissez sans surveillance.
15. Faites attention au recul. Le pistolet à gâchette a un mouvement de recul lorsque le jet haute pression sort de la buse. Tenez fermement le pistolet à gâchette pour prévenir les blessures accidentelles.
16. Vérifiez que les pièces ne sont pas abîmées ou usées avant utilisation. Assurez-vous également que le tuyau est correctement branché et qu'il n'y a pas de fuite pendant le fonctionnement. Utiliser la machine alors qu'elle présente des défauts de fonctionnement peut provoquer un accident.
17. Cette machine a été conçue pour être utilisée avec le produit nettoyant fourni ou recommandé par le fabricant. L'utilisation d'autres produits nettoyants ou chimiques peut nuire à la sécurité de la machine.
18. Ne tirez pas sur le tuyau pour déplacer le corps du nettoyeur haute pression. Cela endommagera le tuyau et les éléments d'assemblage et provoquera un court-circuit ou des défauts de fonctionnement.
19. Ne placez pas d'objets lourds sur le tuyau, ni ne laissez de véhicules rouler dessus.
20. Videz toujours la pression résiduelle dans le pistolet à gâchette avant de débrancher le tuyau.
21. Lorsque vous branchez le tuyau à l'arrivée d'eau, respectez les instructions du service ou de la compagnie des eaux de votre localité.
22. Si le nettoyeur haute pression tombe ou cogne contre un objet dur, vérifiez bien l'absence de dommages et de fissures. L'utilisation du nettoyeur haute pression endommagé peut générer de la fumée, un incendie, ou provoquer une électrocution, ce qui présente un risque de blessures.
23. Pendant l'utilisation d'un nettoyeur haute pression, des aérosols peuvent se former. L'inhalation d'aérosols peut être dangereuse pour la santé.
24. Selon l'application, des buses protégées peuvent être utilisées pour le nettoyage haute pression, ce qui réduira considérablement l'émission d'aérosols hydriques. Toutefois, toutes les applications ne permettent pas d'utiliser un tel dispositif. Si des buses protégées ne peuvent pas être utilisées pour la protection contre les aérosols, un masque respiratoire de classe FFP 2 ou équivalent peut être nécessaire, selon l'environnement de nettoyage.
25. Évitez les démarrages intempestifs. Assurez-vous que l'interrupteur est en position d'arrêt avant de connecter la batterie, de ramasser ou de transporter l'appareil. Transporter l'appareil en ayant le doigt sur l'interrupteur ou le brancher alors que l'interrupteur est en position de marche est source d'accidents.

26. **Débranchez la batterie de l'appareil avant de procéder à des réglages, de changer d'accessoire ou de ranger l'appareil.** Ces mesures de sécurité préventives réduiront les risques de démarrage accidentel de l'appareil.
27. **Ne modifiez pas, ni n'essayez de réparer l'appareil ou la batterie sauf comme indiqué dans les instructions d'utilisation et d'entretien.**
28. **AVERTISSEMENT - Risque d'injection ou de blessures - Ne dirigez pas le jet vers des personnes.**

Utilisation et entretien des outils fonctionnant sur batterie

1. **Rechargez la batterie uniquement avec le chargeur spécifié par le fabricant.** Un chargeur qui est adapté à un type spécifique de batterie peut présenter un risque d'incendie s'il est utilisé avec un autre type de batterie.
2. **Utilisez un outil électrique uniquement avec la batterie spécifiquement indiquée.** L'utilisation de toute autre batterie peut présenter un risque de blessure et d'incendie.
3. **Lorsque vous n'utilisez pas la batterie, tenez-la à l'écart des objets métalliques, comme des trombones, pièces de monnaie, clés, clous, vis ou autres petits objets métalliques, susceptibles de créer une connexion entre deux bornes.** Court-circuiter les bornes d'une batterie entre elles peut provoquer des brûlures ou un incendie.
4. **Dans des conditions d'utilisation inadéquate, il peut y avoir une fuite de l'électrolyte de la batterie. Le cas échéant, évitez tout contact avec ce liquide. En cas de contact accidentel, rincez à l'eau. Si le liquide pénètre dans les yeux, consultez par ailleurs un médecin.** Le liquide s'échappant de la batterie peut provoquer une irritation ou des brûlures.
5. **N'utilisez pas une batterie ou un outil s'ils sont endommagés ou modifiés.** Une batterie endommagée ou modifiée peut avoir un comportement imprévisible susceptible d'entraîner un incendie, une explosion ou des blessures.
6. **N'exposez pas la batterie ou l'outil au feu ou à une température excessive.** L'exposition au feu ou à une température supérieure à 130 °C peut provoquer une explosion.
7. **Respectez toutes les instructions de charge et ne chargez pas la batterie ou l'outil en dehors de la plage de température indiquée dans les instructions.** Une charge incorrecte ou à une température en dehors de la plage indiquée peut endommager la batterie et augmenter le risque d'incendie.

Dépannage

1. **Suivez les instructions d'entretien spécifiées dans le mode d'emploi.**
2. **Pour garantir la sécurité de la machine, utilisez uniquement des pièces de rechange d'origine fournies par le fabricant ou approuvées par celui-ci.**
3. **Confiez la réparation de votre nettoyeur haute pression à un réparateur qualifié qui utilise uniquement des pièces de rechange identiques.** Cela assurera le maintien de la sécurité du nettoyeur haute pression.

4. **En cas de panne ou de dysfonctionnement du nettoyeur haute pression, éteignez-le immédiatement et retirez la ou les batteries. Contactez le revendeur ou le centre de service après-vente local.**

Consignes de sécurité supplémentaires

1. **Respectez les exigences de la compagnie des eaux locale.**
2. **N'utilisez pas l'outil en cas d'orage.**
3. **Lorsque vous utilisez l'outil sur un sol boueux, une pente trempée ou un endroit glissant, faites attention de ne pas perdre l'équilibre.**
4. **Évitez de travailler dans un piètre environnement susceptible d'accroître la fatigue de l'utilisateur.**
5. **Ne remplacez pas la batterie sous la pluie.**
6. **Ne plongez pas l'outil dans une flaque.**
7. **Ne laissez pas l'outil sans surveillance à l'extérieur sous la pluie.**
8. **Si des feuilles mouillées ou des saletés se collent sur la bouche d'aspiration (ouverture d'aération) en raison de la pluie, retirez-les.**
9. **Ne lavez pas l'outil avec de l'eau sous pression.**
10. **Lorsque vous lavez l'outil, ne laissez pas l'eau pénétrer dans le mécanisme électrique comme la batterie, le moteur et les bornes.**
11. **Lorsque vous rangez l'outil, évitez les endroits exposés aux rayons directs du soleil ou à la pluie, et rangez-le dans un endroit tempéré et sec.**
12. **Procédez à l'inspection ou à l'entretien dans un endroit non affecté par la pluie.**
13. **Après avoir utilisé l'outil, retirez la saleté collée et séchez-le complètement avant de le ranger.** Selon la saison ou la région, le gel peut présenter un risque de dysfonctionnement.
14. **Ne mouillez pas la borne de la batterie avec un liquide comme de l'eau, ni ne plongez la batterie dans un liquide. Ne laissez pas la batterie sous la pluie et évitez de charger, utiliser ou ranger la batterie dans un endroit humide ou mouillé.** Si la borne est mouillée ou si un liquide pénètre à l'intérieur de la batterie, un court-circuit est possible et risque de provoquer une surchauffe, un incendie ou une explosion.
15. **Après avoir retiré la batterie de l'outil ou du chargeur, veillez à fixer le couvercle de batterie sur la batterie et à la ranger dans un endroit sec.**
16. **Ne remplacez pas la batterie avec les mains mouillées.**

Consignes de sécurité supplémentaires

1. **Respectez les exigences de la compagnie des eaux locale.**
2. **N'utilisez pas de source d'alimentation câblée comme un adaptateur de batterie ou un support d'alimentation portable avec cet appareil.** Le câble de ce type de source d'alimentation pourrait gêner le fonctionnement et provoquer des blessures corporelles.

CONSERVEZ CES INSTRUCTIONS.

⚠️ AVERTISSEMENT : NE vous laissez PAS tromper (au fil d'une utilisation répétée) par un sentiment d'aisance et de familiarité avec le produit, en négligeant le respect rigoureux des consignes de sécurité qui accompagnent le produit en question.

La MAUVAISE UTILISATION de l'outil ou l'ignorance des consignes de sécurité indiquées dans ce mode d'emploi peut entraîner de graves blessures.

Consignes de sécurité importantes pour la batterie

1. Avant d'utiliser la batterie, lisez toutes les instructions et précautions relatives (1) au chargeur de batterie, (2) à la batterie, et (3) au produit utilisant la batterie.
2. Ne démontez pas la batterie.
3. Cessez immédiatement l'utilisation si le temps de fonctionnement devient excessivement court. Il y a risque de surchauffe, de brûlures, voire d'explosion.
4. Si l'électrolyte pénètre dans vos yeux, rincez-les à l'eau claire et consultez immédiatement un médecin. Il y a risque de perte de la vue.
5. Ne court-circuitez pas la batterie :
 - (1) Ne touchez les bornes avec aucun matériau conducteur.
 - (2) Évitez de ranger la batterie dans un conteneur avec d'autres objets métalliques, par exemple des clous, des pièces de monnaie, etc.
 - (3) N'exposez pas la batterie à l'eau ou à la pluie.

Un court-circuit de la batterie peut provoquer une intensité de courant élevée, une surchauffe, parfois des brûlures et même une panne.
6. Ne rangez pas l'outil et la batterie dans un endroit où la température risque d'atteindre ou de dépasser 50 °C.
7. Ne jetez pas la batterie au feu même si elle est sérieusement endommagée ou complètement épuisée. La batterie peut exploser au contact du feu.
8. Évitez de laisser tomber ou de cogner la batterie.
9. N'utilisez pas la batterie si elle est endommagée.
10. Les batteries au lithium-ion contenues sont soumises aux exigences de la législation sur les marchandises dangereuses.

Lors du transport commercial par des tierces parties ou des transitaires par exemple, des exigences spécifiques en matière d'étiquetage et d'emballage doivent être respectées.

Pour la préparation de l'article expédié, il est nécessaire de consulter un expert en matériau dangereux. Veuillez également respecter les réglementations nationales susceptibles d'être plus détaillées.

Recouvrez les contacts exposés avec du ruban adhésif ou du ruban de masquage et emballez la batterie de telle sorte qu'elle ne puisse pas bouger dans l'emballage.

11. Lors de la mise au rebut de la batterie, retirez-la de l'outil et jetez-la en lieu sûr. Suivez les réglementations locales en matière de mise au rebut des batteries.
12. Utilisez les batteries uniquement avec les produits spécifiés par Makita. L'insertion de batteries dans des produits non conformes peut provoquer un incendie, une chaleur excessive, une explosion ou une fuite de l'électrolyte.
13. Lorsque vous n'utilisez pas l'outil pendant une période prolongée, la batterie doit être retirée de l'outil.

CONSERVEZ CES INSTRUCTIONS.

⚠️ ATTENTION : N'utilisez que des batteries Makita d'origine. L'utilisation de batteries de marque autre que Makita ou de batteries modifiées peut provoquer l'explosion des batteries, ce qui présente un risque d'incendie, de dommages matériels et corporels. Cela annulera également la garantie Makita pour l'outil et le chargeur Makita.

Conseils pour assurer la durée de vie optimale de la batterie

1. Chargez la batterie avant qu'elle ne soit complètement déchargée. Arrêtez toujours l'outil et rechargez la batterie quand vous remarquez que la puissance de l'outil diminue.
2. Ne rechargez jamais une batterie complètement chargée. La surcharge réduit la durée de service de la batterie.
3. Chargez la batterie à une température ambiante comprise entre 10 °C et 40 °C. Avant de charger une batterie chaude, laissez-la refroidir.
4. Rechargez la batterie si elle est restée inutilisée pendant une période prolongée (plus de six mois).

DESCRIPTION DU FONCTIONNEMENT

ATTENTION : Assurez-vous toujours que l'outil est hors tension et que sa batterie est retirée avant de l'ajuster ou de vérifier son fonctionnement.

Insertion ou retrait de la batterie

ATTENTION : Éteignez toujours l'outil avant de mettre en place ou de retirer la batterie.

ATTENTION : Tenez fermement l'outil et la batterie lors de la mise en place ou du retrait de la batterie. Si vous ne tenez pas fermement l'outil et la batterie, ils peuvent vous glisser des mains, et s'abîmer ou vous blesser.

Pour mettre la batterie en place, ouvrez le couvercle tout en poussant le levier de verrouillage. Alignez la languette sur la batterie avec la rainure sur le compartiment et insérez-la. Insérez-la à fond jusqu'à ce qu'un léger dé clic se fasse entendre. Si le voyant rouge sur le dessus du bouton est visible, cela signifie qu'elle n'est pas bien verrouillée.

Après avoir installé ou retiré les batteries, refermez bien le couvercle.

► Fig.1: 1. Couvercle 2. Levier de verrouillage

Pour retirer la batterie, soulevez-la tout en appuyant sur le bouton à l'avant de la batterie.

► Fig.2: 1. Voyant rouge 2. Bouton 3. Batterie

ATTENTION : Insérez toujours complètement la batterie jusqu'à ce que le voyant rouge ne soit plus visible. Sinon, elle pourrait tomber accidentellement de l'outil, au risque de vous blesser ou de blesser quelqu'un se trouvant près de vous.

ATTENTION : N'insérez pas la batterie de force. Si elle ne glisse pas facilement, c'est que vous ne l'insérez pas correctement.

ATTENTION : Veillez à verrouiller le couvercle avant toute utilisation.

Système de protection de l'outil/la batterie

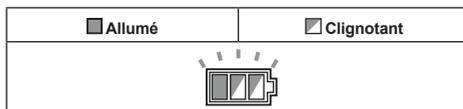
L'outil est équipé d'un système de protection de l'outil/la batterie. Ce système coupe automatiquement l'alimentation vers le moteur pour prolonger la durée de vie de l'outil et de la batterie. Si l'outil ou la batterie se trouve dans l'une des situations suivantes, l'outil cessera automatiquement de fonctionner.

Protection contre la surcharge

Lorsque la batterie est utilisée d'une manière provoquant un appel de courant anormalement élevé, l'outil s'arrête automatiquement sans indication. Dans ce cas, éteignez l'outil et arrêtez la tâche ayant provoqué la surcharge de l'outil. Puis rallumez l'outil pour reprendre la tâche.

Protection contre la surchauffe

En cas de surchauffe de l'outil, celui-ci s'arrête automatiquement et le témoin de la batterie clignote. Dans ce cas, laissez l'outil refroidir avant de le rallumer.



Protection contre la décharge totale de la batterie

Lorsque la charge de la batterie est insuffisante, l'outil s'arrête automatiquement. Dans ce cas, retirez la batterie de l'outil et chargez-la.

Indication de la charge restante de la batterie

Uniquement pour les batteries avec voyant lumineux

► Fig.3: 1. Témoins 2. Bouton de vérification

Appuyez sur le bouton de vérification sur la batterie pour indiquer la charge restante de la batterie. Les témoins s'allument pendant quelques secondes.

Témoins			Charge restante
Allumé	Éteint	Clignotant	
■	□	◊	75 % à 100 %
■ ■ ■ ■			
■	□	◊	50 % à 75 %
■ ■ ■ □			
■	□	◊	25 % à 50 %
■ □ □ □			
■	□	◊	0 % à 25 %
■ □ □ □			
◊	□	□	Chargez la batterie.
◊ □ □ □			
■	■	□	Anomalie possible de la batterie.
■ ■ □ □			
	□	■	
	□	■ ■	

NOTE : Selon les conditions d'utilisation et la température ambiante, l'indication peut être légèrement différente de la capacité réelle.

Indication de la charge restante de la batterie

REMARQUE : Le témoin de la batterie ne s'allume pas lorsque l'interrupteur d'alimentation est en position d'arrêt. Pour vérifier la charge restante de la batterie, placez l'interrupteur d'alimentation sur le mode haute ou basse pression.

Appuyez sur le bouton de vérification pour indiquer la charge restante de la batterie. Les témoins de batterie correspondent à chaque batterie.

► Fig.4: 1. Témoin de la batterie 2. Bouton de vérification

Statut du témoin de la batterie			Charge restante de la batterie
 Allumé	 Éteint	 Clignotant	
			50 % à 100 %
			20 % à 50 %
			0 % à 20 %
			Chargez la batterie

Interrupteur d'alimentation

REMARQUE : Ne forcez pas en tournant l'interrupteur d'alimentation. Cela risque de provoquer le dysfonctionnement de l'interrupteur.

Tournez l'interrupteur d'alimentation dans le sens des aiguilles d'une montre ou dans le sens inverse selon le niveau de la pression. Tournez l'interrupteur d'alimentation dans le sens des aiguilles d'une montre pour le mode haute pression et dans le sens inverse des aiguilles d'une montre pour le mode basse pression.

► **Fig.5**: 1. Mode basse pression 2. Position d'arrêt 3. Mode haute pression

NOTE : Les témoins de la batterie s'allumeront pendant quelques secondes, lorsque vous placez l'interrupteur d'alimentation sur le mode haute ou basse pression.

Fonctions de la buse

NOTE : Les buses standard sont différentes selon le pays. Consultez également la section ACCESSOIRES EN OPTION pour connaître les autres buses.

Lance de pulvérisation

Selon le pays

► **Fig.6**

La largeur du jet peut être réglée de 0 à 25° en tournant l'extrémité avant de la buse.

ATTENTION : Lorsque vous réglez la largeur du jet, ne tournez pas la buse tout en la tirant vers le pistolet à gâchette. La buse risquerait de se détacher du pistolet à gâchette et de vous blesser.

Buse rotative

Selon le pays

► **Fig.7**

Un jet en spirale est propulsé. Permet de retirer la saleté tenace.

REMARQUE : N'utilisez pas la buse rotative pour nettoyer des surfaces fragiles comme des fenêtres ou la carrosserie d'une voiture.

Fonctionnement de la gâchette

Enclenchez la gâchette pour propulser un jet d'eau. Le jet continue tant que la gâchette est enfoncée.

La gâchette peut être verrouillée pour permettre une manipulation sûre du pistolet à gâchette. Pour verrouiller la gâchette, tirez sur la butée et accrochez-la dans la rainure sur la poignée.

► **Fig.8**: 1. Gâchette 2. Butée 3. Rainure

REMARQUE : Pour éviter une erreur mécanique du pressostat, laissez toujours un intervalle de deux secondes entre les fonctionnements de la gâchette.

Soupape de sûreté

Cet appareil est équipé d'une soupape de sûreté qui empêche une pression excessive. Lorsque la gâchette est relâchée, la soupape s'ouvre et l'eau recircule par l'entrée de la pompe.

ATTENTION : Ne modifiez ni n'ajustez le réglage de la soupape de sûreté.

Alimentation en eau depuis un réservoir/bac

Vous pouvez alimenter en eau depuis un réservoir ou un bac au lieu d'un robinet.

Remplacez le raccord du tuyau d'eau par l'ensemble du tuyau d'aspiration. Lorsque vous raccordez l'ensemble du tuyau d'aspiration, retirez le boîtier de filtre du tuyau et fixez-le à l'entrée du nettoyeur haute pression. Puis connectez le tuyau au boîtier de filtre.

NOTE : Lorsque vous retirez/connectez le tuyau du/ au boîtier de filtre, tournez le manchon tout en tenant le tuyau de sorte qu'il ne tourne pas avec le manchon.

► **Fig.9**: 1. Réservoir/bac 2. Ensemble du tuyau d'aspiration 3. Raccord du tuyau d'eau 4. Tuyau 5. Boîtier de filtre 6. Entrée sur le nettoyeur haute pression 7. Collier de tuyau 8. Manchon

ATTENTION : Lorsque vous fixez le manchon au boîtier de filtre, prenez garde de ne pas vous blesser la main avec le collier de tuyau.

REMARQUE : Utilisez toujours l'ensemble du tuyau d'aspiration Makita.

REMARQUE : Maintenez toujours une hauteur de 1 m (3,28 ft) ou moins entre l'entrée du nettoyeur haute pression et la surface de l'eau. Autrement, le nettoyeur haute pression ne sera pas capable d'aspirer l'eau dans la pompe.

Pour introduire l'eau dans le tuyau, retirez la buse du pistolet à gâchette et mettez sous tension le nettoyeur haute pression alors que la gâchette est enfoncée. Une fois que l'eau est propulsée de manière stable du pistolet à gâchette, relâchez la gâchette et fixez la buse adaptée à votre utilisation.

► **Fig.10**: 1. Pistolet à gâchette

NOTE : Si l'eau n'est pas propulsée, retirez l'ensemble du tuyau d'aspiration et trempez-le dans l'eau. Puis reconnectez-le au nettoyeur haute pression.

► **Fig.11**: 1. Ensemble du tuyau d'aspiration

Lorsque vous utilisez le récipient comme réservoir d'eau

Vous pouvez utiliser le récipient accompagnant le nettoyeur haute pression (propre au pays) comme réservoir d'eau.

1. Videz le récipient et remplissez-le d'eau.

► **Fig.12:** 1. Trait de niveau d'eau plein

REMARQUE : Ne remplissez pas d'eau au-dessus du trait de niveau d'eau plein.

REMARQUE : Le couvercle du récipient n'est pas à fermeture hermétique. Faites attention de ne pas renverser l'eau dans le récipient lors du transport.

2. Déconnectez le boîtier de filtre du tuyau de l'ensemble du tuyau d'aspiration.

► **Fig.13:** 1. Tuyau 2. Boîtier de filtre

3. Retirez le capuchon sur l'entrée pour l'eau et faites passer l'ensemble du tuyau d'aspiration par l'entrée comme illustré.

► **Fig.14:** 1. Capuchon 2. Support du capuchon
3. Entrée pour l'eau 4. Ensemble du tuyau d'aspiration

NOTE : Le capuchon sur l'entrée pour l'eau peut être posé sur le support du capuchon.

4. Retirez le raccord du tuyau d'eau de l'entrée du nettoyeur haute pression. Ensuite, raccordez le boîtier de filtre à l'entrée, puis le tuyau au boîtier de filtre.

► **Fig.15:** 1. Entrée du nettoyeur haute pression
2. Boîtier de filtre 3. Raccord du tuyau d'eau
4. Tuyau

5. Placez le nettoyeur haute pression sur le récipient de sorte qu'il soit maintenu en place avec les fixations sur le couvercle du récipient.

► **Fig.16:** 1. Nettoyeur haute pression 2. Couvercle
3. Orifice de purge d'air

REMARQUE : Faites attention à la manipulation du récipient lors du transport. Transporter le récipient avec le nettoyeur haute pression et les accessoires ou de l'eau à l'intérieur peut provoquer un accident ou des blessures en raison de son propre poids.

REMARQUE : N'agitez, ne renversez, ni ne penchez trop le récipient lorsque vous le transportez.

Vous risqueriez de provoquer ce qui suit :

- l'eau à l'intérieur se déverse ;
- le nettoyeur haute pression sur le couvercle tombe du récipient ; ou
- la rotation des roues du récipient est entravée.

REMARQUE : Lorsque vous transportez le récipient par la poignée, de l'eau peut se renverser s'il est rempli d'eau.

REMARQUE : De l'eau peut sortir de l'orifice de purge d'air si l'eau à l'intérieur atteint l'orifice de purge d'air en inclinant le récipient.

REMARQUE : Ne marchez pas sur le récipient. Cela pourrait casser le couvercle.

REMARQUE : Ne laissez pas le récipient rempli d'eau pendant une période prolongée. Cela pourrait endommager le récipient et provoquer une fuite d'eau.

Après l'utilisation, procédez comme indiqué ci-dessous :

1. Retirez le capuchon sur l'orifice d'évacuation et déversez l'eau.

► **Fig.17:** 1. Orifice d'évacuation

2. Essuyez l'humidité à l'intérieur du récipient avec un chiffon, puis séchez complètement le récipient.

REMARQUE : Ne rangez pas le nettoyeur haute pression et ses accessoires alors que l'intérieur du récipient est humide. L'humidité restante pourrait provoquer un dysfonctionnement et de la rouille.

ASSEMBLAGE

ATTENTION : Assurez-vous toujours que l'outil est hors tension et que sa batterie est retirée avant d'effectuer toute tâche dessus.

Branchement du tuyau haute pression

Branchez le tuyau haute pression sur la sortie (avec le symbole du pistolet). Tournez l'écrou sur le tuyau haute pression dans le sens des aiguilles d'une montre tout en le vissant sur le filetage de vis de la sortie.

► **Fig.18:** 1. Sortie 2. Écrou

ATTENTION : Assurez-vous que le tuyau haute pression est solidement branché. Un branchement lâche peut projeter le tuyau haute pression et provoquer des blessures corporelles.

Fixation du pistolet à gâchette

Branchez le tuyau haute pression sur l'entrée sur le pistolet à gâchette. Tournez l'écrou sur le tuyau haute pression dans le sens des aiguilles d'une montre tout en le vissant sur le filetage de vis de l'entrée.

► **Fig.19:** 1. Entrée 2. Écrou

ATTENTION : Assurez-vous que le tuyau haute pression est solidement branché. Un branchement lâche peut projeter le tuyau haute pression et provoquer des blessures corporelles.

Raccordement à un robinet

ATTENTION : Utilisez toujours un tuyau d'eau résistant à la pression d'un diamètre de $\varnothing 13$ mm ou plus et raccordez-le au robinet avec les bons raccords. Autrement, le tuyau d'eau et/ou le raccord peuvent se rompre et provoquer des blessures corporelles.

REMARQUE : Utilisez un tuyau d'eau résistant à la pression aussi court que possible. La quantité d'eau aspirée doit être supérieure au débit maximum de la pompe.

REMARQUE : Si vous raccordez le tuyau à l'arrivée d'eau potable, utilisez un disconnecteur hydraulique répondant aux réglementations de votre région.

Préparez un tuyau d'eau résistant à la pression. Fixez le manchon de raccordement à une extrémité et raccordez l'autre extrémité au robinet comme suit.

1. Retirez l'écrou sur le manchon de raccordement et faites passer le tuyau d'eau résistant à la pression par l'écrou. Insérez l'extrémité du tuyau dans le manchon de raccordement, puis serrez l'écrou.

- **Fig.20:** 1. Tuyau d'eau résistant à la pression
2. Écrou du manchon de raccordement
3. Manchon de raccordement

NOTE : Si vous voulez brancher le tuyau d'eau résistant à la pression au robinet au moyen d'un manchon de raccordement, préparez un autre manchon de raccordement et fixez-le à l'autre extrémité du tuyau.

2. Branchez le tuyau d'eau résistant à la pression au robinet. Appliquez un raccord adapté comme un collier de tuyau ou un joint de robinet d'eau pour fixer l'extrémité du tuyau au robinet.

- **Fig.21:** 1. Collier de tuyau 2. Joint de robinet d'eau
3. Tuyau d'eau résistant à la pression

NOTE : Le raccord dépend de la forme du robinet de raccordement. Préparez un raccord adapté en vente dans le commerce.

3. Fixez le raccord du tuyau d'eau à l'entrée (avec le symbole du robinet), puis insérez le manchon de raccordement.

- **Fig.22:** 1. Manchon de raccordement 2. Raccord du tuyau d'eau 3. Entrée sur le nettoyeur haute pression

Connexion/déconnexion de la buse

⚠ATTENTION : Verrouillez toujours la gâchette du pistolet à gâchette lorsque vous connectez ou déconnectez la buse.

Insérez l'extrémité de la buse dans la fente sur le pistolet à gâchette et tournez-la dans le sens de la flèche comme illustré sur la figure. Pour déconnecter la buse, tournez-la dans le sens inverse tout en l'appuyant vers le pistolet à gâchette.

- **Fig.23:** 1. Pistolet à gâchette 2. Fente 3. Extrémité de la buse

Branchement du canon à mousse

Accessoire en option

⚠ATTENTION : Verrouillez toujours la gâchette du pistolet à gâchette lorsque vous connectez ou déconnectez la buse.

Préparez un détergent avant d'utiliser le canon à mousse.

1. Retirez la buse du réservoir en la tournant dans le sens inverse des aiguilles d'une montre. Fixez la buse au pistolet à gâchette.

- **Fig.24:** 1. Buse 2. Pistolet à gâchette

2. Versez le détergent dans le réservoir et installez-le sur la buse.

- **Fig.25:** 1. Réservoir

REMARQUE : Utilisez toujours un détergent neutre. Un détergent acide ou alcalin peut endommager le réservoir ou la buse.

Pose de l'étui de transport en plastique sur le récipient

Accessoire en option

Vous pouvez poser l'étui de transport en plastique Makita en haut du récipient. Placez l'étui de transport en plastique sur le récipient de sorte qu'il soit maintenu en place avec les fixations sur le couvercle du récipient.

- **Fig.26:** 1. Étui de transport en plastique 2. Fixation

Pose du récipient sur le chariot

Accessoire en option

Lorsque vous transportez le récipient avec le chariot Makita, mettez le récipient en place. Assurez-vous que le bas du récipient s'insère dans la plateforme du chariot.

- **Fig.27:** 1. Surface inférieure du récipient
2. Plateforme du chariot

⚠ATTENTION : Lors de l'utilisation du chariot, ne transportez pas le récipient rempli d'eau. Vous risqueriez de perdre l'équilibre et de vous blesser ou de déformer le récipient et entraîner une fuite d'eau.

UTILISATION

⚠AVERTISSEMENT : Ne touchez pas le jet d'eau ni ne le dirigez vers vous-même ou d'autres personnes. Le jet d'eau est dangereux et peut vous blesser ainsi que d'autres personnes.

⚠AVERTISSEMENT : Lorsque vous lancez le jet d'eau, ne tenez jamais l'objet que vous nettoyez ni ne placez vos mains et pieds près du jet d'eau.

⚠ATTENTION : Restez vigilant au rebond du jet d'eau et aux objets projetés. N'amenez pas la buse plus près que 30 cm de l'objet.

⚠ATTENTION : Ne faites pas fonctionner le nettoyeur haute pression sans eau pendant plus d'une minute.

⚠ATTENTION : Ne faites pas fonctionner le nettoyeur haute pression pendant une période prolongée. Cela présente un risque de surchauffe ou d'incendie. De plus, une utilisation prolongée peut provoquer des vibrations.

⚠ATTENTION : Soyez attentif au sens du vent. Si le détergent pénètre dans vos yeux ou votre bouche, rincez-les immédiatement à l'eau claire et consultez un médecin si nécessaire.

REMARQUE : Évitez d'utiliser le nettoyeur haute pression pendant plus d'une heure. Au bout d'une heure d'utilisation, laissez-le reposer pendant la même durée.

REMARQUE : Pour protéger le mécanisme du nettoyeur haute pression, n'utilisez pas de l'eau plus chaude que 40 °C.

1. Raccordez une extrémité du tuyau haute pression au pistolet à gâchette et l'autre extrémité au nettoyeur haute pression.

2. Raccordez le nettoyeur haute pression et le robinet au moyen d'un tuyau d'eau. Ceci fait, ouvrez le robinet.

► Fig.28

3. Ouvrez le couvercle et mettez les batteries en place dans le nettoyeur haute pression, puis verrouillez le couvercle.

► Fig.29: 1. Batterie 2. Couvercle

4. Placez l'interrupteur d'alimentation sur le mode souhaité.

► Fig.30: 1. Mode basse pression 2. Position d'arrêt 3. Mode haute pression

5. Pour projeter un jet d'eau, libérez la butée et appuyez sur la gâchette. Le jet continue tant que la gâchette est enfoncée.

► Fig.31: 1. Butée

ATTENTION : Tenez fermement le pistolet à gâchette. Le pistolet à gâchette a un mouvement de recul lorsque vous enfoncez la gâchette.

ATTENTION : Tenez toujours le pistolet à gâchette par la poignée et le barillet lorsque vous projetez le jet d'eau.

REMARQUE : Prenez soin de ne pas tirer avec force sur le pistolet à gâchette pendant le fonctionnement. Le nettoyeur haute pression pourrait basculer.

Lorsque vous interrompez la tâche, vous pouvez placer provisoirement le pistolet à gâchette comme illustré sur la figure.

► Fig.32

Après l'utilisation

ATTENTION : Après avoir utilisé le nettoyeur haute pression, procédez toujours comme décrit dans ce mode d'emploi. La pression résiduelle dans le pistolet à gâchette ou le nettoyeur haute pression peut provoquer des blessures corporelles ou endommager l'intérieur de la pompe.

1. Éteignez le nettoyeur haute pression.

2. Fermez le robinet et débranchez le tuyau d'eau du nettoyeur haute pression.

► Fig.33

3. Rallumez le nettoyeur haute pression.

4. Appuyez sur la gâchette jusqu'à ce que l'eau restant dans le nettoyeur haute pression soit évacuée.

► Fig.34

REMARQUE : Ne faites pas tourner le moteur pendant plus d'une minute.

5. Mettez le nettoyeur haute pression hors tension et retirez les batteries.

► Fig.35: 1. Interrupteur d'alimentation 2. Batterie

6. Déconnectez le tuyau haute pression du pistolet à gâchette et du nettoyeur haute pression.

► Fig.36: 1. Pistolet à gâchette 2. Tuyau haute pression 3. Nettoyeur haute pression

REMARQUE : Pour éviter d'abîmer le tuyau haute pression, retirez l'eau restant dans le tuyau avant de le ranger.

ENTRETIEN ET RANGEMENT

ATTENTION : Assurez-vous toujours que l'outil est hors tension et la batterie retirée avant d'effectuer tout travail d'inspection ou d'entretien.

REMARQUE : N'utilisez jamais d'essence, benzine, diluant, alcool ou autre produit similaire. Cela risquerait de provoquer la décoloration, la déformation ou la fissuration de l'outil.

Pour assurer la SÉCURITÉ et la FIABILITÉ du produit, toute réparation, tout travail d'entretien ou de réglage doivent être effectués par un centre d'entretien Makita agréé, avec des pièces de rechange Makita.

Nettoyage de la buse

Utilisez l'épingle de nettoyage pour retirer la saleté de la buse ou la déboucher.

► Fig.37: 1. Épingle de nettoyage

REMARQUE : Ne retirez pas la saleté ou les débris avec force. Vous risqueriez de vous blesser ou d'endommager l'orifice d'éjection provoquant la déviation de l'angle du jet ou une médiocre performance.

Nettoyage du filtre

Retirez le raccord du tuyau d'eau et enlevez la saleté et les débris à l'intérieur du filtre.

► Fig.38: 1. Raccord du tuyau d'eau 2. Filtre 3. Bague d'étanchéité

Lorsque vous utilisez l'ensemble du tuyau d'aspiration (accessoire en option), sortez le filtre du boîtier de filtre et enlevez la saleté et les débris.

► Fig.39: 1. Filtre 2. Boîtier de filtre

NOTE : Pour maintenir une performance optimale, nettoyez régulièrement le filtre.

Rangement

⚠ ATTENTION : Rangez-le toujours à l'intérieur dans un endroit qui ne gèle pas. Si le nettoyeur haute pression gèle et fonctionne mal, confiez sa réparation à votre centre de service après-vente local.

Rangez les accessoires dans la poche latérale du nettoyeur haute pression.

Exemple de rangement

► **Fig.40:** 1. Tuyau haute pression 2. Buse 3. Pistolet à gâchette

Si votre modèle est accompagné d'un récipient, rangez le nettoyeur haute pression et ses accessoires dedans.

Exemple de rangement

► **Fig.41:** 1. Nettoyeur haute pression 2. Buse 3. Pistolet à gâchette 4. Brosse de lavage 5. Canon à mousse 6. Tuyau haute pression 7. Chargeur 8. Ensemble du tuyau d'aspiration 9. Tuyau d'eau résistant à la pression

NOTE : Certains accessoires illustrés sont fournis en tant qu'accessoires en option dans certains pays.

GUIDE DE DÉPANNAGE

Avant de faire une demande de réparation, effectuez d'abord vous-même une inspection. Si vous rencontrez un problème non documenté dans le mode d'emploi, n'essayez pas de démonter l'outil. Demandez plutôt à un centre de service après-vente Makita agréé d'effectuer la réparation au moyen de pièces de rechange Makita.

État d'anomalie	Cause probable (dysfonctionnement)	Solution
Le nettoyeur ne démarre pas.	Pas d'électricité	Installez des batteries chargées.
	L'interrupteur n'est pas sur la position de marche.	Placez-le sur la position de marche.
	Pression résiduelle dans la pompe	Enclenchez la gâchette.
	Batterie ou circuit électrique endommagés	Contactez un centre de service après-vente agréé pour les réparations.
Pas de jet d'eau/jet d'eau faible	Pas d'alimentation en eau	Assurez-vous que le robinet est ouvert. Si vous utilisez l'ensemble du tuyau d'aspiration, introduisez l'eau dans le tuyau.
	Faible alimentation en eau	Ouvrez le robinet.
	Mauvais raccordement du tuyau d'eau	Vérifiez le raccordement entre le nettoyeur haute pression et le robinet d'eau.
	Tuyau, filtre ou buse bouchés	Débouchez le tuyau, le filtre ou la buse.
	L'air bloque le flux d'eau.	Mettez la machine hors tension, puis sous tension tout en enfonçant la gâchette.
	Buse endommagée ou usée	Remplacez la buse.
	Dysfonctionnement de la pompe ou de la soupape	Contactez un centre de service après-vente agréé pour les réparations.
Jet d'eau instable	Buse bouchée	Débouchez l'orifice d'éjection de la buse avec l'épingle de nettoyage.
	Faible aspiration de l'eau	Vérifiez que le tuyau d'eau ne fuit pas ou n'est pas bouché en commençant par le robinet. Ouvrez le robinet.
	L'eau est trop chaude.	Fournissez de l'eau plus froide.
	Dysfonctionnement de la soupape	Contactez un centre de service après-vente agréé pour les réparations.
Bruit inhabituel	L'eau est trop chaude.	Fournissez de l'eau plus froide.
	De l'air s'accumule dans la pompe.	Contactez un centre de service après-vente agréé pour les réparations.
Fuite d'eau	Mauvais raccordement	Vérifiez le raccordement entre le nettoyeur haute pression et le pistolet à gâchette, ainsi que le robinet d'eau.
	Joint usés	Contactez un centre de service après-vente agréé pour les réparations.

ACCESSOIRES EN OPTION

⚠ ATTENTION : Ces accessoires ou pièces complémentaires sont recommandés pour l'utilisation avec l'outil Makita spécifié dans ce mode d'emploi. L'utilisation de tout autre accessoire ou pièce complémentaire peut comporter un risque de blessure. N'utilisez les accessoires ou pièces complémentaires qu'aux fins auxquelles ils ont été conçus.

Pour obtenir plus de détails sur ces accessoires, contactez votre centre d'entretien local Makita.

NOTE : Il se peut que certains éléments de la liste soient compris dans l'emballage de l'outil en tant qu'accessoires standard. Ils peuvent varier d'un pays à l'autre.

Lance de pulvérisation à puissance variable

► Fig.42

La pression du jet peut être réglée en tournant la buse.

⚠ ATTENTION : Lorsque vous réglez la pression du jet, ne tournez pas la buse tout en tirant vers le pistolet à gâchette. La buse risquerait de se détacher du pistolet à gâchette et de vous blesser.

Canon à mousse

Selon le pays

► Fig.43

Le détergent peut être pulvérisé sous la forme de mousse.

Brosse de lavage (longue)

► Fig.44

Une buse pourvue d'une brosse. Pratique pour nettoyer la saleté tout en frottant avec la brosse.

Ensemble du tuyau d'aspiration

► Fig.45

Remplacez le tuyau d'eau par cet ensemble pour fournir de l'eau depuis un réservoir ou un bac.

Brosse de lavage tournante

► Fig.46

Trois brosses à l'intérieur tournent lentement lors de l'éjection du jet. Convient pour nettoyer la saleté légère sur un mur extérieur, la carrosserie d'une voiture, une baignoire, etc.

Rallonge de lance

► Fig.47

Tubes pour étendre la longueur du pistolet à gâchette. Trois longueurs différentes sont disponibles en changeant le nombre de tubes à utiliser.

Lance de pulvérisation pour soubassement

► Fig.48

Une lance de pulvérisation ultralongue avec une buse en angle. Idéal pour nettoyer les zones difficiles d'accès comme le soubassement d'une voiture et les gouttières.

⚠ ATTENTION : N'utilisez pas la lance de pulvérisation pour soubassement avec la rallonge de lance.

Pare-éclaboussure

► Fig.49

Réduit les éclaboussures lors du nettoyage de coins avec la buse rotative.

Joint articulé

► Fig.50

Empêche le tuyau haute pression de s'entortiller.

Joint de raccordement

► Fig.51

Un joint pour raccorder une buse d'un autre modèle.

Certaines buses en option nécessitent un joint de raccordement (accessoire en option) pour être fixées au pistolet à gâchette. Fixez le joint de raccordement au pistolet à gâchette dans la même manière que la buse.

► Fig.52: 1. Buse 2. Joint de raccordement 3. Pistolet à gâchette

NOTE : Le joint de raccordement est nécessaire lorsque vous utilisez les buses fournies avec un autre modèle, HW112 ou HW121.

Ensemble de nettoyage de tuyaux (10 m/15 m)

► Fig.53

Pour nettoyer et déboucher les tuyauteries et les descentes.

⚠ ATTENTION : Portez une attention particulière au jet d'eau lorsque vous utilisez l'ensemble de nettoyage de tuyaux. Un jet d'eau très intense est propulsé en arrière. Veillez à insérer la tête du tuyau dans le tube avant d'enclencher la gâchette.

Tuyau d'extension haute pression (5 m/8 m/10 m)

► Fig.54

Un tuyau d'extension pour raccorder le corps du nettoyeur haute pression au pistolet à gâchette.

WARNUNG

- Maschinen dürfen nicht von Kindern benutzt werden. Kinder sollten beaufsichtigt werden, um sicherzugehen, dass sie nicht mit der Maschine spielen.
- Diese Maschine sollte nicht von Personen (einschließlich Kindern) mit reduzierten körperlichen, sensorischen oder geistigen Fähigkeiten oder mangelnder Erfahrung und Kenntnis benutzt werden.
- Diese Maschine wurde für den Einsatz mit dem Reinigungsmittel ausgelegt, das vom Hersteller geliefert oder empfohlen wird. Die Verwendung anderer Reinigungsmittel oder Chemikalien kann sich negativ auf die Sicherheit der Maschine auswirken.
- Hochdruckstrahlen können bei Missbrauch gefährlich sein. Der Strahl darf nicht auf Personen, Strom führende Elektrogeräte oder die Maschine selbst gerichtet werden.
- Benutzen Sie die Maschine nicht im Bereich von Personen, wenn sie keine Schutzkleidung tragen.
- Richten Sie den Strahl nicht auf sich selbst oder andere, um Kleidungsstücke oder Schuhwerk zu reinigen.
- Explosionsgefahr - Versprühen Sie keine brennbaren Flüssigkeiten.
- Hochdruckreiniger dürfen nicht von Kindern oder ungeübtem Personal benutzt werden.
- Hochdruckschläuche, Armaturen und Kupplungen sind wichtig für die Sicherheit der Maschine. Verwenden Sie nur vom Hersteller empfohlene Schläuche, Armaturen und Kupplungen.
- Um die Sicherheit der Maschine zu gewährleisten, verwenden Sie nur vom Hersteller gelieferte oder zugelassene Original-Ersatzteile.
- Vergewissern Sie sich vor der Ausführung von Arbeiten am Werkzeug stets, dass das Werkzeug ausgeschaltet ist und die Akkus abgenommen sind.
- Benutzen Sie die Maschine nicht, wenn wichtige Teile der Maschine beschädigt sind, z. B. Sicherheitsvorrichtungen, Hochdruckschläuche oder die Schalt pistole.
- Nehmen Sie immer die Akkus ab, wenn Sie die Maschine unbeaufsichtigt lassen.

- Halten Sie die Anforderungen des örtlichen Wasserversorgers ein.
- Für europäische Länder:
Gemäß EN12729 (BA) kann das Gerät auch an die Trinkwasserversorgung angeschlossen werden, wenn in dem Zulaufschlauch ein Ventil mit Rückflussverhinderer und Ablaufvorrichtung installiert ist.

TECHNISCHE DATEN

Modell:		DHW080
Max. Fördervolumen ^{*1}		6,3 L/min
Wasserdurchfluss ^{*2}	Modus „Hoch“	5,5 L/min
	Modus „Niedrig“	4,0 L/min
Max. zulässiger Druck		8,0 MPa
Arbeitsdruck ^{*2}	Modus „Hoch“	5,5 MPa
	Modus „Niedrig“	3,0 MPa
Max. Förderdruck		1,0 MPa
Max. Fördertemperatur		40°C
Max. Saughöhe		1 m
Nennspannung		36 V Gleichstrom
Abmessungen (L × B × H)		438 mm x 218 mm x 269 mm
Gewicht		7,1 - 7,7 kg

*1: Bei Verwendung der Waschbürste

*2: Bei Verwendung der Sprühlanze

- Wir behalten uns vor, Änderungen der technischen Daten im Zuge der Entwicklung und des technischen Fortschritts ohne vorherige Ankündigung vorzunehmen.
- Die technischen Daten können von Land zu Land unterschiedlich sein.
- Das Gewicht kann abhängig von dem Aufsatz (den Aufsätzen), einschließlich des Akkus, unterschiedlich sein. Die leichteste und die schwerste Kombination, gemäß dem EPTA-Verfahren 01/2014, sind in der Tabelle angegeben.

Zutreffende Akkus und Ladegeräte

Akku	BL1815N / BL1820 / BL1820B / BL1830 / BL1830B / BL1840 / BL1840B / BL1850 / BL1850B / BL1860B
Ladegerät	DC18RC / DC18RD / DC18RE / DC18SD / DC18SE / DC18SF / DC18SH

- Einige der oben aufgelisteten Akkus und Ladegeräte sind je nach Ihrem Wohngebiet eventuell nicht erhältlich.

⚠️ WARNUNG: Verwenden Sie nur die oben aufgeführten Akkus und Ladegeräte. Bei Verwendung irgendwelcher anderer Akkus und Ladegeräte besteht Verletzungs- und/oder Brandgefahr.

Symbole

Nachfolgend werden die für das Gerät verwendeten Symbole beschrieben. Machen Sie sich vor der Benutzung mit ihrer Bedeutung vertraut.



Betriebsanleitung lesen.



Besondere Umsicht und Aufmerksamkeit erforderlich.



Nur für EU-Länder
Werfen Sie Elektrogeräte oder Akkus nicht in den Hausmüll!
Unter Einhaltung der Europäischen Richtlinie über Elektro- und Elektronik-Altgeräte, Batterien, Akkus sowie verbrauchte Batterien und Akkus und ihre Umsetzung gemäß den Landesgesetzen müssen Elektrogeräte und Batterien bzw. Akkus, die das Ende ihrer Lebensdauer erreicht haben, getrennt gesammelt und einer umweltgerechten Recycling-Einrichtung zugeführt werden.



Nicht an einen Trinkwasserhahn anschließen.



Richten Sie den Strahl nicht auf Personen, einschließlich sich selbst, Tiere und Strom führende Elektrogeräte.

Vorgesehene Verwendung

Dieses Werkzeug ist zum Entfernen von hartnäckigem Schmutz durch Wasserstrahl vorgesehen. Dieses Werkzeug ist für Haushaltsgebrauch vorgesehen.

Geräusch

Typischer A-bewerteter Geräuschpegel ermittelt gemäß EN60335-2-79:

Schalldruckpegel (L_{pA}): 70,9 dB (A)

Messunsicherheit (K): 3,6 dB (A)

Der Geräuschpegel kann während des Betriebs 80 dB (A) überschreiten.

HINWEIS: Der (Die) angegebene(n)

Schallemissionswert(e) wurde(n) im Einklang mit der Standardprüfmethode gemessen und kann (können) für den Vergleich zwischen Werkzeugen herangezogen werden.

HINWEIS: Der (Die) angegebene(n)

Schallemissionswert(e) kann (können) auch für eine Vorbewertung des Gefährdungsgrads verwendet werden.

⚠️ WARNUNG: Einen Gehörschutz tragen.

⚠️ WARNUNG: Die Schallemission während der tatsächlichen Benutzung des Elektrowerkzeugs kann je nach der Benutzungsweise des Werkzeugs, und speziell je nach der Art des bearbeiteten Werkstücks, von dem (den) angegebenen Wert(en) abweichen.

⚠️ WARNUNG: Identifizieren Sie Sicherheitsmaßnahmen zum Schutz des Benutzers anhand einer Schätzung des Gefährdungsgrads unter den tatsächlichen Benutzungsbedingungen (unter Berücksichtigung aller Phasen des Arbeitszyklus, wie z. B. Ausschalt- und Leerlaufzeiten des Werkzeugs zusätzlich zur Betriebszeit).

Schwingungen

Schwingungsgesamtwert (Drei-Achsen-Vektorsumme) ermittelt gemäß EN60335-2-79:

Schwingungsemission (a_h): 2,5 m/s^2 oder weniger

Messunsicherheit (K): 1,5 m/s^2

HINWEIS: Der (Die) angegebene(n)

Vibrationsgesamtwert(e) wurde(n) im Einklang mit der Standardprüfmethode gemessen und kann (können) für den Vergleich zwischen Werkzeugen herangezogen werden.

HINWEIS: Der (Die) angegebene(n)

Vibrationsgesamtwert(e) kann (können) auch für eine Vorbewertung des Gefährdungsgrads verwendet werden.

⚠️ WARNUNG: Die Vibrationsemission während der tatsächlichen Benutzung des Elektrowerkzeugs kann je nach der Benutzungsweise des Werkzeugs, und speziell je nach der Art des bearbeiteten Werkstücks, von dem (den) angegebenen Emissionswert(en) abweichen.

⚠️ WARNUNG: Identifizieren Sie Sicherheitsmaßnahmen zum Schutz des Benutzers anhand einer Schätzung des Gefährdungsgrads unter den tatsächlichen Benutzungsbedingungen (unter Berücksichtigung aller Phasen des Arbeitszyklus, wie z. B. Ausschalt- und Leerlaufzeiten des Werkzeugs zusätzlich zur Betriebszeit).

EG-Konformitätserklärung

Nur für europäische Länder

Die EG-Konformitätserklärung ist als Anhang A in dieser Bedienungsanleitung enthalten.

WICHTIGE SICHERHEITSWARNUNGEN

⚠️ WARNUNG: Lesen Sie alle Sicherheitswarnungen und Anweisungen durch. Eine Missachtung der unten aufgeführten Warnungen und Anweisungen kann zu einem elektrischen Schlag, Brand und/oder schweren Verletzungen führen.

Bewahren Sie alle Warnungen und Anweisungen für spätere Bezugnahme auf.

WARNUNG - Bei der Verwendung dieses Produkts sind grundsätzliche Vorsichtsmaßnahmen, einschließlich der folgenden, stets zu beachten: Sicherheit im Arbeitsbereich

1. Halten Sie den Arbeitsbereich völlig frei von Personen.
2. Übernehmen Sie sich nicht, und stellen Sie sich auch nicht auf instabile Stützen. Achten Sie stets auf sicheren Stand und gute Balance.
3. Stellen Sie den Hochdruckreiniger-Hauptteil immer auf eine ebene und stabile Oberfläche. Vermeiden Sie Bereiche, wo das ausgestoßene Wasser fließen oder sich ansammeln kann.
4. Überprüfen Sie vor der Reinigung die Umgebung und die zu reinigenden Gegenstände. Hochdruckstrahlen können Lack oder andere Oberflächenbehandlungen, einschließlich giftiger Chemikalien, abschaben. Treffen Sie nötigenfalls Vorbeugungsmaßnahmen.
5. Achten Sie darauf, dass Sie nicht über den Schlauch des Hochdruckreinigers stolpern. Achten Sie während der Arbeit stets auf die Konfiguration des Schlauchs.

6. Während des Gebrauchs tritt eine kleine Wassermenge an der Unterseite des Hochdruckreinigers aus. Vermeiden Sie die Aufstellung des Hochdruckreinigers in Bereichen, die Sie nicht nass machen wollen.

Persönliche Sicherheit

1. Um sich selbst vor dem Strahl und weggeschleuderten Gegenständen zu schützen, sollten Bediener geeignete Kleidung, wie Sicherheitsstiefel, Schutzhandschuhe, Schutzhelm mit Visier, Gehörschutz usw. tragen.
2. Benutzen Sie den Hochdruckreiniger nicht im Bereich von Personen, wenn sie keine Schutzkleidung tragen.
3. Um die Verletzungsgefahr zu reduzieren, ist strenge Überwachung notwendig, wenn das Produkt in der Nähe von Kindern verwendet wird.
4. Wird ein Anschluss an ein Trinkwassersystem vorgenommen, muss das System vor Rückfluss geschützt werden.
5. Wasser, das durch den Rückflussverhinderer geflossen ist, wird als nicht trinkbar betrachtet.

Elektrische Sicherheit

1. Berühren Sie Akkus niemals mit nassen Händen.
2. Benutzen Sie die Maschine nicht, wenn wichtige Teile der Maschine beschädigt sind, z. B. Sicherheitsvorrichtungen, Hochdruckschläuche oder die Schalt pistole.

Gebrauch und Pflege von Elektrowerkzeugen

1. Lesen Sie alle Anweisungen vor Gebrauch des Produkts.
2. Erlernen Sie die Verfahren zum Stoppen des Hochdruckreinigers und zum schnellen Ablassen von Drücken. Machen Sie sich mit den Bedienelementen gründlich vertraut.
3. Hochdruckstrahlen können bei Missbrauch gefährlich sein. Der Strahl darf nicht auf Personen, Strom führende Elektrogeräte oder die Maschine selbst gerichtet werden.
4. Diese Maschine sollte nicht von Personen (einschließlich Kindern) mit reduzierten körperlichen, sensorischen oder geistigen Fähigkeiten oder mangelnder Erfahrung und Kenntnis benutzt werden.
5. Kinder sollten beaufsichtigt werden, um sicherzugehen, dass sie nicht mit dem Gerät spielen.
6. Versprühen Sie keine brennbaren und/oder giftigen Flüssigkeiten. Es kann sonst zu einer Explosion, Vergiftung oder Beschädigung der Maschine kommen.
7. Richten Sie den Strahl nicht auf sich selbst oder andere, um Kleidungsstücke oder Schuhwerk zu reinigen.
8. Hochdruckschläuche, Armaturen und Kupplungen sind wichtig für die Sicherheit der Maschine. Verwenden Sie nur vom Hersteller empfohlene Schläuche, Armaturen und Kupplungen.
9. Befolgen Sie die Anweisungen beim Auswechseln von Zubehör.

10. Halten Sie die Handgriffe trocken, sauber und frei von Öl oder Fett.
11. Bleiben Sie wachsam - achten Sie auf Ihre Handlungen.
12. Betreiben Sie das Produkt nicht, wenn Sie müde sind oder unter dem Einfluss von Alkohol oder Medikamenten stehen.
13. Lassen Sie den Hochdruckreiniger nicht länger als eine Minute ohne Wasser laufen. Anderenfalls wird der Motor beschädigt, was zu einer Funktionsstörung führt.
14. Schalten Sie stets die Stromversorgung aus, und stellen Sie die Wasserversorgung ab, wenn Sie den Hochdruckreiniger unbeaufsichtigt lassen.
15. Seien Sie vor Rückschlag auf der Hut. Die Schalt pistole schlägt zurück, wenn der Hochdruckstrahl aus der Düse ausgestoßen wird. Halten Sie die Schalt pistole mit festem Griff, um versehentliche Verletzungen zu verhindern.
16. Prüfen Sie vor Gebrauch nach, ob beschädigte oder verschlissene Teile vorhanden sind. Vergewissern Sie sich auch, dass der Schlauch ordnungsgemäß angeschlossen ist, und dass während des Betriebs keine Leckage auftritt. Der Betrieb der Maschine mit funktionalen Defekten kann einen Unfall verursachen.
17. Diese Maschine wurde für den Einsatz mit dem Reinigungsmittel ausgelegt, das vom Hersteller geliefert oder empfohlen wird. Die Verwendung anderer Reinigungsmittel oder Chemikalien kann sich negativ auf die Sicherheit der Maschine auswirken.
18. Ziehen Sie nicht am Schlauch, um den Hochdruckreiniger-Hauptteil zu verschieben. Dies verursacht eine Beschädigung von Schlauch und Verbindungsteilen und führt zu einem Kurzschluss oder funktionalen Defekten.
19. Stellen Sie keine schweren Gegenstände auf den Schlauch, und lassen Sie auch keine Fahrzeuge darüber fahren.
20. Lassen Sie stets den Restdruck in der Schalt pistole ab, bevor Sie den Schlauch abtrennen.
21. Beachten Sie die Anweisungen Ihres lokalen Wasserversorgungsamts oder Wasserwerks, wenn Sie den Schlauch an die Hauptwasserleitung anschließen.
22. Sollte der Hochdruckreiniger herunterfallen oder gegen ein hartes Objekt stoßen, überprüfen Sie ihn unbedingt auf Beschädigung und Risse. Wird der Hochdruckreiniger in beschädigtem Zustand benutzt, können Rauch und ein Brand erzeugt oder ein elektrischer Schlag verursacht werden, was zu Personenschäden führen kann.
23. Während des Gebrauchs von Hochdruckreinigern können Aerosole gebildet werden. Das Einatmen von Aerosolen kann gesundheitsschädlich sein.

24. **Abhängig von der Anwendung können abgeschirmte Düsen für Hochdruckreinigung verwendet werden, wodurch die Abgabe von wasserhaltigen Aerosolen erheblich reduziert wird. Nicht alle Anwendungen gestatten jedoch den Gebrauch einer solchen Vorrichtung. Falls abgeschirmte Düsen nicht für den Schutz vor Aerosolen anwendbar sind, kann je nach der Reinigungsumgebung eine Atemmaske der Klasse FFP 2 oder eine gleichwertige notwendig sein.**
25. **Verhüten Sie unbeabsichtigtes Einschalten. Vergewissern Sie sich, dass sich der Schalter in der Aus-Stellung befindet, bevor Sie den Akku anschließen bzw. das Gerät aufheben oder tragen.** Das Tragen des Gerätes mit dem Finger am Schalter oder das Anschließen bei eingeschaltetem Schalter führt zu Unfällen.
26. **Trennen Sie den Akku vom Gerät, bevor Sie Einstellungen vornehmen, Zubehörteile austauschen oder das Gerät lagern.** Solche vorbeugenden Sicherheitsmaßnahmen reduzieren die Gefahr eines versehentlichen Einschaltens des Gerätes.
27. **Unterlassen Sie jegliche Modifizierung oder Versuche, das Gerät oder den Akku zu reparieren, außer wie in den Anweisungen für Gebrauch und Pflege angegeben.**
28. **WARNUNG - Injektions- oder Verletzungsgefahr - Den Reinigungsstrahl nicht auf Personen richten.**

Gebrauch und Pflege von Akkuerkzeugen

1. **Laden Sie den Akku nur mit dem vom Hersteller vorgeschriebenen Ladegerät.** Ein Ladegerät, das für einen Akkutyp geeignet ist, kann bei Verwendung mit einem anderen Akku eine Brandgefahr darstellen.
2. **Benutzen Sie Elektrowerkzeuge nur mit den ausdrücklich vorgeschriebenen Akkus.** Bei Verwendung irgendwelcher anderer Akkus besteht Verletzungs- und Brandgefahr.
3. **Bewahren Sie den Akku bei Nichtgebrauch nicht zusammen mit Metallgegenständen, wie Büroklammern, Münzen, Schlüsseln, Nägeln, Schrauben, und anderen kleinen Metallteilen auf, welche die Kontakte kurzschließen können.** Kurzschließen der Akkukontakte kann Verbrennungen oder einen Brand verursachen.
4. **Bei Missbrauch kann Flüssigkeit aus dem Akku austreten. Vermeiden Sie Kontakt mit dieser Flüssigkeit. Falls Sie versehentlich mit der Flüssigkeit in Berührung kommen, spülen Sie die betroffenen Stellen mit Wasser ab. Falls die Flüssigkeit in die Augen gelangt, suchen Sie zusätzlich ärztliche Hilfe auf.** Die vom Akku austretende Flüssigkeit kann Hautreizungen oder Verätzungen verursachen.
5. **Verwenden Sie keinen Akku und auch kein Werkzeug, der (das) beschädigt oder modifiziert ist.** Beschädigte oder modifizierte Akkus können unvorhersehbares Verhalten zeigen, das zu einem Brand, einer Explosion oder Verletzungsgefahr führen kann.
6. **Setzen Sie einen Akku oder ein Werkzeug nicht Feuer oder übermäßigen Temperaturen aus.** Bei Einwirkung von Feuer oder Temperaturen über 130 °C kann es zu einer Explosion kommen.

7. **Befolgen Sie alle Ladeanweisungen, und laden Sie den Akku bzw. das Werkzeug nicht außerhalb des in den Anweisungen angegebenen Temperaturbereichs.** Wird der Ladevorgang unsachgemäß oder bei Temperaturen außerhalb des angegebenen Bereichs durchgeführt, kann es zu einer Beschädigung des Akkus und erhöhter Brandgefahr kommen.

Wartung

1. **Befolgen Sie die in der Anleitung angegebenen Wartungsanweisungen.**
2. **Um die Sicherheit der Maschine zu gewährleisten, verwenden Sie nur vom Hersteller gelieferte oder zugelassene Original-Ersatzteile.**
3. **Lassen Sie Ihren Hochdruckreiniger nur unter Verwendung identischer Ersatzteile von einem qualifizierten Wartungstechniker warten.** Dadurch wird die Aufrechterhaltung der Sicherheit des Hochdruckreinigers gewährleistet.
4. **Im Falle einer Betriebs- oder Funktionsstörung des Hochdruckreinigers sollten Sie ihn unverzüglich ausschalten und den (die) Akku(s) abnehmen.** Wenden Sie sich an einen Händler oder ein Service-Center in Ihrer Nähe.

Zusätzliche Sicherheitswarnungen

1. **Halten Sie die Anforderungen des örtlichen Wasserversorgers ein.**
2. **Benutzen Sie das Werkzeug nicht, wenn Blitzgefahr besteht.**
3. **Wenn Sie das Werkzeug auf schlammigem Boden, auf einem nassen Hang oder an einem schlüpfrigen Ort benutzen, achten Sie auf Ihren Stand.**
4. **Vermeiden Sie Arbeiten in ungünstiger Umgebung, wo mit erhöhter Benutzerermüdung zu rechnen ist.**
5. **Tauschen Sie den Akku nicht im Regen aus.**
6. **Tauchen Sie das Werkzeug nicht in einen Tümpel ein.**
7. **Lassen Sie das Werkzeug bei Regen nicht unbeaufsichtigt im Freien stehen.**
8. **Wenn nasse Blätter oder Schmutz aufgrund von Regen an der Saugöffnung (Belüftungsfenster) haften, entfernen Sie diese.**
9. **Waschen Sie das Werkzeug nicht mit Hochdruck-Wasserstrahl.**
10. **Achten Sie beim Waschen des Werkzeugs darauf, dass kein Wasser in den elektrischen Mechanismus, wie z. B. Akku, Motor und Anschlüsse, eindringt.**
11. **Lagern Sie das Werkzeug nicht an einem Ort, der direktem Sonnenlicht und Regen ausgesetzt ist, sondern an einem Ort, an dem es nicht heiß oder feucht wird.**
12. **Führen Sie Inspektions- oder Wartungsarbeiten an einem Ort durch, wo Regen vermieden werden kann.**
13. **Nachdem Sie das Werkzeug benutzt haben, entfernen Sie den anhaftenden Schmutz, und lassen Sie das Werkzeug vor der Lagerung vollständig trocknen.** Je nach Jahreszeit oder Gebiet besteht die Gefahr einer Funktionsstörung durch Gefrieren.

14. Vermeiden Sie Benetzen der Akkukontakte mit einer Flüssigkeit, wie z. B. Wasser, oder Untertauchen des Akkus. Lassen Sie den Akku nicht im Regen stehen, und unterlassen Sie Laden, Benutzen oder Lagern des Akkus an einem feuchten oder nassen Ort. Falls die Kontakte nass werden, oder eine Flüssigkeit in den Akku eindringt, kann der Akku kurzgeschlossen werden, und es besteht Überhitzungs-, Brand- oder Explosionsgefahr.
 15. Nachdem Sie den Akku vom Werkzeug oder Ladegerät entfernt haben, bringen Sie unbedingt die Akkuabdeckung am Akku an, und lagern Sie ihn an einem trockenen Ort.
 16. Tauschen Sie den Akku nicht mit nassen Händen aus.
- Zusätzliche Sicherheitswarnungen**
1. Halten Sie die Anforderungen des örtlichen Wasserversorgers ein.
 2. Verwenden Sie keine verkabelte Stromversorgung, wie z. B. einen Akku-Adapter oder eine rückentragbare Akku-Bank, mit diesem Gerät. Anderenfalls kann das Kabel einer solchen Stromversorgung den Betrieb behindern und Personenschäden verursachen.

DIESE ANWEISUNGEN AUFBEWAHREN.

⚠️ WARNUNG: Lassen Sie sich NICHT durch Bequemlichkeit oder Vertrautheit mit dem Produkt (durch wiederholten Gebrauch erworben) von der strikten Einhaltung der Sicherheitsregeln für das vorliegende Produkt abhalten.

MISSBRAUCH oder Missachtung der Sicherheitsvorschriften in dieser Anleitung können schwere Verletzungen verursachen.

Wichtige Sicherheitsanweisungen für Akku

1. Lesen Sie vor der Benutzung des Akkus alle Anweisungen und Warnhinweise, die an (1) Ladegerät, (2) Akku und (3) Akkuwerkzeug angebracht sind.
2. Unterlassen Sie ein Zerlegen des Akkus.
3. Falls die Betriebszeit beträchtlich kürzer geworden ist, stellen Sie den Betrieb sofort ein. Anderenfalls besteht die Gefahr von Überhitzung, möglichen Verbrennungen und sogar einer Explosion.
4. Falls Elektrolyt in Ihre Augen gelangt, waschen Sie sie mit sauberem Wasser aus, und begeben Sie sich unverzüglich in ärztliche Behandlung. Anderenfalls können Sie Ihre Sehkraft verlieren.
5. Der Akku darf nicht kurzgeschlossen werden:
 - (1) Die Kontakte dürfen nicht mit leitfähigem Material berührt werden.
 - (2) Lagern Sie den Akku nicht in einem Behälter zusammen mit anderen Metallgegenständen, wie z. B. Nägel, Münzen usw.
 - (3) Setzen Sie den Akku weder Wasser noch Regen aus.

Ein Kurzschluss des Akkus verursacht starken Stromfluss, der Überhitzung, mögliche Verbrennungen und einen Defekt zur Folge haben kann.

6. Lagern Sie das Werkzeug und den Akku nicht an Orten, an denen die Temperatur 50 °C erreichen oder überschreiten kann.
7. Versuchen Sie niemals, den Akku zu verbrennen, selbst wenn er stark beschädigt oder vollkommen verbraucht ist. Der Akku kann im Feuer explodieren.
8. Achten Sie darauf, dass der Akku nicht fallen gelassen oder Stößen ausgesetzt wird.
9. Benutzen Sie keine beschädigten Akkus.
10. Die enthaltenen Lithium-Ionen-Akkus unterliegen den Anforderungen der Gefahrgut-Gesetzgebung. Für kommerzielle Transporte, z. B. durch Dritte oder Spediteure, müssen besondere Anforderungen zu Verpackung und Etikettierung beachtet werden. Zur Vorbereitung des zu transportierenden Artikels ist eine Beratung durch einen Experten für Gefahrgut erforderlich. Bitte beachten Sie möglicherweise ausführlichere nationale Vorschriften. Überleben oder verdecken Sie offene Kontakte, und verpacken Sie den Akku so, dass er sich in der Verpackung nicht umher bewegen kann.
11. Entfernen Sie den Akku zum Entsorgen vom Werkzeug, und entsorgen Sie ihn an einem sicheren Ort. Befolgen Sie die örtlichen Vorschriften bezüglich der Entsorgung von Akkus.
12. Verwenden Sie die Akkus nur mit den von Makita angegebenen Produkten. Das Einsetzen der Akkus in nicht konforme Produkte kann zu einem Brand, übermäßiger Hitzebildung, einer Explosion oder Auslaufen von Elektrolyt führen.
13. Soll das Werkzeug längere Zeit nicht benutzt werden, muss der Akku vom Werkzeug entfernt werden.

DIESE ANWEISUNGEN AUFBEWAHREN.

⚠️ VORSICHT: Verwenden Sie nur Original-Makita-Akkus. Die Verwendung von Nicht-Original-Makita-Akkus oder von Akkus, die abgeändert worden sind, kann zum Bersten des Akkus und daraus resultierenden Bränden, Personenschäden und Beschädigung führen. Außerdem wird dadurch die Makita-Garantie für das Makita-Werkzeug und -Ladegerät ungültig.

Hinweise zur Aufrechterhaltung der maximalen Akku-Nutzungsdauer

1. Laden Sie den Akku, bevor er vollkommen erschöpft ist. Schalten Sie das Werkzeug stets aus, und laden Sie den Akku, wenn Sie ein Nachlassen der Werkzeugleistung feststellen.
2. Unterlassen Sie erneutes Laden eines voll aufgeladenen Akkus. Überladen führt zu einer Verkürzung der Nutzungsdauer des Akkus.
3. Laden Sie den Akku bei Raumtemperatur zwischen 10 – 40 °C. Lassen Sie einen heißen Akku abkühlen, bevor Sie ihn laden.
4. Der Akku muss geladen werden, wenn er lange Zeit (länger als sechs Monate) nicht benutzt wird.

FUNKTIONSBESCHREIBUNG

⚠ VORSICHT: Vergewissern Sie sich vor der Durchführung von Einstellungen oder Funktionsprüfungen des Werkzeugs stets, dass das Werkzeug ausgeschaltet und der Akku abgenommen ist.

Anbringen und Abnehmen des Akkus

⚠ VORSICHT: Schalten Sie das Werkzeug stets aus, bevor Sie den Akku anbringen oder abnehmen.

⚠ VORSICHT: Halten Sie das Werkzeug und den Akku beim Anbringen oder Abnehmen des Akkus sicher fest. Wenn Sie das Werkzeug und den Akku nicht sicher festhalten, können sie Ihnen aus der Hand rutschen, was zu einer Beschädigung des Werkzeugs und des Akkus und zu Körperverletzungen führen kann.

Um den Akku einzusetzen, öffnen Sie die Abdeckung, während Sie den Sperrhebel drücken. Richten Sie die Führungsfeder des Akkus auf die Führungsnut im Gehäuse aus, und schieben Sie den Akku hinein. Schieben Sie ihn vollständig ein, bis er mit einem hörbaren Klicken einrastet. Falls die rote Anzeige an der Oberseite des Knopfes sichtbar ist, ist der Akku nicht vollständig verriegelt.

Denken Sie unbedingt daran, die Abdeckung nach dem Einsetzen oder Abnehmen der Akkus zu schließen.

► **Abb.1:** 1. Abdeckung 2. Sperrhebel

Um die Akkus abzunehmen, heben Sie den jeweiligen Akku an, während Sie den Knopf an der Vorderseite des Akkus drücken.

► **Abb.2:** 1. Rote Anzeige 2. Knopf 3. Akku

⚠ VORSICHT: Schieben Sie den Akku stets bis zum Anschlag ein, bis die rote Anzeige nicht mehr sichtbar ist. Anderenfalls kann er aus dem Werkzeug herausfallen und Sie oder umstehende Personen verletzen.

⚠ VORSICHT: Unterlassen Sie Gewaltanwendung beim Anbringen des Akkus. Falls der Akku nicht reibungslos hineingleitet, ist er nicht richtig ausgerichtet.

⚠ VORSICHT: Verriegeln Sie unbedingt die Abdeckung vor dem Betrieb.

Werkzeug/Akku-Schutzsystem

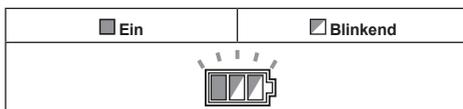
Das Werkzeug ist mit einem Werkzeug/Akku-Schutzsystem ausgestattet. Dieses System schaltet die Stromversorgung des Motors automatisch ab, um die Lebensdauer von Werkzeug und Akku zu verlängern. Das Werkzeug bleibt während des Betriebs automatisch stehen, wenn das Werkzeug oder der Akku einer der folgenden Bedingungen unterliegt:

Überlastschutz

Wird der Akku auf eine Weise benutzt, die eine ungewöhnlich hohe Stromaufnahme bewirkt, bleibt das Werkzeug ohne jegliche Anzeige automatisch stehen. Schalten Sie in dieser Situation das Werkzeug aus, und brechen Sie die Arbeit ab, die eine Überlastung des Werkzeugs verursacht hat. Schalten Sie dann das Werkzeug wieder ein, um es neu zu starten.

Überhitzungsschutz

Wenn das Werkzeug überhitzt wird, bleibt es automatisch stehen, und die Akku-Anzeige blinkt. Lassen Sie das Werkzeug in dieser Situation abkühlen, bevor Sie es wieder einschalten.



Überentladungsschutz

Wenn die Akkukapazität unzureichend wird, bleibt das Werkzeug automatisch stehen. Nehmen Sie in diesem Fall den Akku vom Werkzeug ab, und laden Sie ihn auf.

Anzeigen der Akku-Restkapazität

Nur für Akkus mit Anzeige

► **Abb.3:** 1. Anzeigelampen 2. Prüftaste

Drücken Sie die Prüftaste am Akku, um die Akku-Restkapazität anzuzeigen. Die Anzeigelampen leuchten wenige Sekunden lang auf.

Anzeigelampen			Restkapazität
Erleuchtet	Aus	Blinkend	
■ ■ ■ ■	□ □ □ □	□ □ □ □	75% bis 100%
■ ■ ■ □	□ □ □ □	□ □ □ □	50% bis 75%
■ ■ □ □	□ □ □ □	□ □ □ □	25% bis 50%
■ □ □ □	□ □ □ □	□ □ □ □	0% bis 25%
■ □ □ □	□ □ □ □	□ □ □ □	Den Akku aufladen.
■ ■ □ □	□ □ □ □	□ □ □ □	Möglicherweise liegt eine Funktionsstörung im Akku vor.
□ □ □ □	■ ■ ■ ■	□ □ □ □	

HINWEIS: Abhängig von den Benutzungsbedingungen und der Umgebungstemperatur kann die Anzeige geringfügig von der tatsächlichen Kapazität abweichen.

Anzeigen der Akku-Restkapazität

ANMERKUNG: Die Akku-Anzeige leuchtet nicht auf, wenn der Hauptschalter auf der AUS-Stellung steht. Um die Akku-Restkapazität zu überprüfen, stellen Sie den Hauptschalter auf den Hoch- oder Niederdruckmodus.

Drücken Sie die Prüftaste, um die Akku-Restkapazität anzuzeigen. Jedem Akku sind eigene Akku-Anzeigen zugeordnet.

► **Abb.4:** 1. Akku-Anzeige 2. Prüftaste

Status der Akku-Anzeige			Akku-Restkapazität
Ein	Aus	Blinkend	
			
			50% bis 100%
			20% bis 50%
			0% bis 20%
			Akku aufladen

Netzschalter

ANMERKUNG: Drehen Sie den Netzschalter nicht gewaltsam. Dies kann eine Funktionsstörung des Schalters verursachen.

Drehen Sie den Netzschalter abhängig vom Druckpegel im oder entgegen dem Uhrzeigersinn. Drehen Sie den Netzschalter im Uhrzeigersinn für den Hochdruckmodus und entgegen dem Uhrzeigersinn für den Niederdruckmodus.

► **Abb.5:** 1. Niederdruckmodus 2. AUS-Stellung 3. Hochdruckmodus

HINWEIS: Die Akku-Anzeigen leuchten für wenige Sekunden auf, wenn der Hauptschalter auf den Hoch- oder Niederdruckmodus gestellt wird.

Düsenfunktionen

HINWEIS: Die Standarddüsen sind je nach Land unterschiedlich. Nehmen Sie für andere Düsen auch auf den Abschnitt SONDERZUBEHÖR Bezug.

Sprühlanze

Länderspezifisch

► **Abb.6**

Die Strahlbreite kann durch Drehen des Vorderendes der Düse von 0° bis 25° eingestellt werden.

⚠ VORSICHT: Achten Sie beim Einstellen der Strahlbreite darauf, dass Sie die Düse nicht drehen, während Sie sie zur Schaltpistole ziehen. Die Düse kann sich sonst von der Schaltpistole lösen und Personenschäden verursachen.

Dreckfräser

Länderspezifisch

► **Abb.7**

Ein spiralförmiger Strahl wird ausgestoßen. Eignet sich zum Entfernen von hartnäckigem Schmutz.

ANMERKUNG: Verwenden Sie den Dreckfräser nicht zum Reinigen von zerbrechlichen Oberflächen, wie z. B. Fenster oder Autokarosserien.

Auslöserbetätigung

Betätigen Sie den Auslöser, um einen Wasserstrahl abzugeben. Der Strahl wird abgegeben, solange der Auslöser gedrückt gehalten wird. Zur sicheren Handhabung der Schaltpistole kann der Auslöser verriegelt werden. Um den Auslöser zu verriegeln, ziehen Sie den Stopper heraus, und hängen Sie ihn in die Nut am Griff ein.

► **Abb.8:** 1. Auslöser 2. Stopper 3. Nut

ANMERKUNG: Um einen mechanischen Fehler im Druckschalter zu vermeiden, halten Sie stets ein Zwei-Sekunden-Intervall zwischen Auslöserbetätigungen ein.

Sicherheitsventil

Dieses Gerät ist mit einem Sicherheitsventil ausgestattet, das unzulässigen Überdruck verhindert. Wenn der Auslöser losgelassen wird, öffnet sich das Ventil, und das Wasser läuft durch den Pumpeneinlass zurück.

⚠ VORSICHT: Unterlassen Sie Manipulieren oder Verändern der Sicherheitsventil-Einstellung.

Wasserversorgung von einem Tank/ Behälter

Anstelle eines Wasserhahns können Sie Wasser auch von einem Tank oder Behälter zuführen. Ersetzen Sie den Wasserschlauchverbinder durch den Saugschlauchsatz. Wenn Sie den Saugschlauchsatz anschließen, trennen Sie das Filtergehäuse vom Schlauch, und bringen Sie das Filtergehäuse am Einlass des Hochdruckreinigers an. Schließen Sie dann den Schlauch an das Filtergehäuse an.

HINWEIS: Wenn Sie den Schlauch vom/am Filtergehäuse trennen/anschließen, drehen Sie die Hülse, während Sie den Schlauch festhalten, damit sich der Schlauch nicht mit der Hülse dreht.

► **Abb.9:** 1. Tank/Behälter 2. Saugschlauchsatz 3. Wasserschlauchverbinder 4. Schlauch 5. Filtergehäuse 6. Einlass des Hochdruckreinigers 7. Schlauchschelle 8. Hülse

⚠ VORSICHT: Achten Sie beim Anbringen der Hülse am Filtergehäuse darauf, dass Sie Ihre Hand nicht durch die Schlauchschelle verletzen.

ANMERKUNG: Verwenden Sie immer den Saugschlauchsatz von Makita.

ANMERKUNG: Halten Sie immer eine Höhe von maximal 1 m (3,28 ft) zwischen dem Einlass des Hochdruckreinigers und dem Wasserspiegel ein. Anderenfalls ist der Hochdruckreiniger nicht in der Lage, das Wasser in die Pumpe anzusaugen.

Um Wasser in den Schlauch einzuleiten, entfernen Sie die Düse von der Schaltpistole, und schalten Sie den Hochdruckreiniger bei betätigtem Auslöser ein. Sobald ein stabiler Wasserstrahl aus der Schaltpistole ausgestoßen wird, lassen Sie den Auslöser los, und bringen Sie die für Ihre Zwecke geeignete Düse an.

► **Abb.10:** 1. Schaltpistole

HINWEIS: Wenn kein Wasser ausgestoßen wird, nehmen Sie den Saugschlauchsatz ab, und tauchen Sie ihn in Wasser. Schließen Sie ihn dann wieder an den Hochdruckreiniger an.

► **Abb.11:** 1. Saugschlauchsatz

Bei Verwendung des Behälters als Wassertank

Sie können den mit dem Hochdruckreiniger gelieferten Behälter (länderspezifisch) als Wassertank verwenden.

1. Entleeren Sie den Behälter, und füllen Sie ihn mit Wasser.

► **Abb.12:** 1. Maximalpegellinie

ANMERKUNG: Füllen Sie den Behälter nicht über die Maximalpegellinie hinaus mit Wasser.

ANMERKUNG: Der Deckel des Behälters ist kein wasserdichter Typ. Achten Sie beim Tragen darauf, dass das Wasser im Behälter nicht verschüttet wird.

2. Trennen Sie das Filtergehäuse von dem Schlauch des Saugschlauchsatzes.

► **Abb.13:** 1. Schlauch 2. Filtergehäuse

3. Entfernen Sie die Kappe vom Speiswassereinlass, und führen Sie den Saugschlauchsatz durch den Einlass, wie dargestellt.

► **Abb.14:** 1. Kappe 2. Kappenhalter
3. Speiswassereinlass
4. Saugschlauchsatz

HINWEIS: Die Kappe auf dem Speiswassereinlass kann in den Kappenhalter gelegt werden.

4. Entfernen Sie den Wasserschlauchverbinder vom Einlass des Hochdruckreinigers. Verbinden Sie danach das Filtergehäuse mit dem Einlass, und dann den Schlauch mit dem Filtergehäuse.

► **Abb.15:** 1. Einlass des Hochdruckreinigers
2. Filtergehäuse
3. Wasserschlauchverbinder 4. Schlauch

5. Stellen Sie den Hochdruckreiniger auf den Behälter, so dass er mit den Halterungen am Deckel des Behälters gesichert ist.

► **Abb.16:** 1. Hochdruckreiniger 2. Deckel
3. Entlüftungsöffnung

ANMERKUNG: Achten Sie beim Tragen auf die Handhabung des Behälters. Wird der Behälter mit dem Hochdruckreiniger und Zubehör oder mit Wasser gefüllt getragen, kann es aufgrund seines Eigengewichts zu einem Unfall oder zu Personenschäden kommen.

ANMERKUNG: Vermeiden Sie beim Tragen Schütteln, Umdrehen oder starkes Neigen des Behälters. Anderenfalls kann Folgendes auftreten:

- das darin befindliche Wasser kann verschüttet werden;
- der Hochdruckreiniger auf dem Deckel kann vom Behälter herunterfallen, oder
- die Drehung der Räder des Behälters kann behindert werden.

ANMERKUNG: Wenn Sie den Behälter am Handgriff tragen, kann Wasser heraus schwappen, falls er mit reichlich Wasser gefüllt ist.

ANMERKUNG: Wasser kann aus der Entlüftungsöffnung austreten, falls der Wasserspiegel im Inneren durch Kippen des Behälters die Entlüftungsöffnung erreicht.

ANMERKUNG: Stellen Sie sich nicht auf den Behälter. Der Deckel könnte sonst brechen.

ANMERKUNG: Lassen Sie den Behälter nicht lange Zeit mit Wasser gefüllt. Anderenfalls kann der Behälter beschädigt und undicht werden.

Befolgen Sie nach dem Gebrauch das nachstehende Verfahren:

1. Entfernen Sie die Kappe vom Ablaufauslass, und lassen Sie das Wasser ab.

► **Abb.17:** 1. Ablaufauslass

2. Wischen Sie die Feuchtigkeit im Behälter mit einem Lappen ab, und trocknen Sie dann den Behälter vollständig ab.

ANMERKUNG: Lagern Sie den Hochdruckreiniger und die Zubehörteile nicht, während die Innenseite des Behälters nass ist. Die verbleibende Feuchtigkeit kann eine Funktionsstörung und Rost verursachen.

MONTAGE

⚠ VORSICHT: Vergewissern Sie sich vor der Ausführung von Arbeiten am Werkzeug stets, dass das Werkzeug ausgeschaltet und der Akku abgenommen ist.

Anschließen des Hochdruckschlauchs

Schließen Sie den Hochdruckschlauch an den Auslass (mit der Pistolenmarkierung) an. Drehen Sie die Mutter am Hochdruckschlauch im Uhrzeigersinn, während Sie sie auf das Gewinde des Auslasses schrauben.

► **Abb.18:** 1. Auslass 2. Mutter

⚠ VORSICHT: Vergewissern Sie sich, dass der Hochdruckschlauch sicher angeschlossen ist. Bei einer lockeren Verbindung kann der Hochdruckschlauch weggeschleudert werden, was zu einem Personenschaden führen kann.

Anbringen der Schaltpistole

Schließen Sie den Hochdruckschlauch an den Einlass der Schaltpistole an. Drehen Sie die Mutter am Hochdruckschlauch im Uhrzeigersinn, während Sie sie auf das Gewinde des Einlasses schrauben.

► **Abb.19:** 1. Einlass 2. Mutter

⚠ VORSICHT: Vergewissern Sie sich, dass der Hochdruckschlauch sicher angeschlossen ist. Bei einer lockeren Verbindung kann der Hochdruckschlauch weggeschleudert werden, was zu einem Personenschaden führen kann.

Anschließen an einen Wasserhahn

⚠ VORSICHT: Verwenden Sie immer einen druckfesten Wasserschlauch mit einem Durchmesser von \varnothing 13 mm oder größer, und schließen Sie ihn mit geeigneten Armaturen an den Wasserhahn an. Anderenfalls kann der Wasserschlauch und/oder die Armatur brechen und Personenschäden verursachen.

ANMERKUNG: Der druckfeste Wasserschlauch sollte so kurz wie möglich sein. Die Menge des Ansaugwassers sollte größer als das maximale Fördervolumen der Pumpe sein.

ANMERKUNG: Wenn Sie das Gerät an die Trinkwasserversorgung anschließen, verwenden Sie ein Rückflussverhinderungsventil, das die Vorschriften in Ihrer Region erfüllt.

Bereiten Sie einen druckfesten Wasserschlauch vor. Bringen Sie die Kupplungsmuffe an einem Ende an, und verbinden Sie das andere Ende wie folgt mit dem Wasserhahn.

1. Entfernen Sie die Mutter an der Kupplungsmuffe, und führen Sie den druckfesten Wasserschlauch durch die Mutter. Führen Sie das Schlauchende in die Kupplungsmuffe ein, und ziehen Sie dann die Mutter fest.

► **Abb.20:** 1. Druckfester Wasserschlauch 2. Mutter der Kupplungsmuffe 3. Kupplungsmuffe

HINWEIS: Wenn Sie den druckfesten Wasserschlauch mit einer Kupplungsmuffe an den Wasserhahn anschließen wollen, besorgen Sie eine andere Kupplungsmuffe, und bringen Sie sie am anderen Ende des Schlauchs an.

2. Schließen Sie den druckfesten Wasserschlauch an den Wasserhahn an. Bringen Sie eine geeignete Armatur, wie z. B. eine Schlauchschelle oder eine Wasserhahnkupplung, an, um das Schlauchende am Wasserhahn zu sichern.

► **Abb.21:** 1. Schlauchschelle
2. Wasserhahnkupplung 3. Druckfester Wasserschlauch

HINWEIS: Die Art der Armatur hängt von der Form des Wasserhahns ab, an den Sie den Anschluss vornehmen. Bereiten Sie eine geeignete handelsübliche Armatur vor.

3. Bringen Sie den Wasserschlauchverbinder am Einlass (mit der Wasserhahnmarkierung) an, und führen Sie dann die Kupplungsmuffe ein.

► **Abb.22:** 1. Kupplungsmuffe
2. Wasserschlauchverbinder 3. Einlass des Hochdruckreinigers

Anbringen/Abnehmen der Düse

⚠ VORSICHT: Verriegeln Sie immer den Auslöser der Schaltpistole, wenn Sie die Düse anschließen/abtrennen.

Führen Sie das Ende der Düse in den Schlitz an der Schaltpistole ein, und drehen Sie es in Pfeilrichtung, wie in der Abbildung gezeigt. Drehen Sie die Düse zum Abtrennen in umgekehrter Richtung, während Sie sie in Richtung der Schaltpistole drücken.

► **Abb.23:** 1. Schaltpistole 2. Schlitz 3. Ende der Düse

Anschließen der Schaumdüse

Sonderzubehör

⚠ VORSICHT: Verriegeln Sie immer den Auslöser der Schaltpistole, wenn Sie die Düse anschließen/abtrennen.

Bereiten Sie ein Reinigungsmittel vor, bevor Sie die Schaumdüse verwenden.

1. Entfernen Sie die Düse durch Drehen entgegen dem Uhrzeigersinn vom Tank. Bringen Sie die Düse an der Schaltpistole an.

► **Abb.24:** 1. Düse 2. Schaltpistole

2. Gießen Sie das Reinigungsmittel in den Tank, und montieren Sie diesen an der Düse.

► **Abb.25:** 1. Tank

ANMERKUNG: Verwenden Sie immer ein neutrales Reinigungsmittel. Säurehaltiges oder alkalisches Reinigungsmittel kann den Tank oder die Düse beschädigen.

Platzieren des Plastikkoffers auf den Behälter

Sonderzubehör

Sie können den Makita-Plastikkoffer auf den Behälter stellen. Stellen Sie den Plastikkoffer auf den Behälter, so dass er mit den Halterungen am Deckel des Behälters gesichert ist.

► **Abb.26:** 1. Plastikkoffer 2. Halterung

Platzieren des Behälters auf den Wagen

Sonderzubehör

Wenn Sie den Behälter mit einem Makita-Wagen transportieren, bringen Sie den Behälter in Position. Vergewissern Sie sich, dass die Unterseite des Behälters in die Plattform des Wagens passt.

► **Abb.27:** 1. Unterseite des Behälters 2. Plattform des Wagens

⚠ VORSICHT: Wenn Sie den Wagen benutzen, tragen Sie nicht den mit Wasser gefüllten Behälter. Anderenfalls können Sie das Gleichgewicht verlieren, was zu Personenschäden führen oder eine Verformung des Behälters mit daraus resultierender Wasserleckage verursachen kann.

BETRIEB

⚠ WARNUNG: Berühren Sie den Wasserstrahl nicht, und richten Sie ihn auch nicht auf sich selbst oder andere. Der Wasserstrahl ist gefährlich und kann Sie oder andere verletzen.

⚠ WARNUNG: Wenn Sie den Wasserstrahl abgeben, halten Sie den zu reinigenden Gegenstand niemals mit der Hand, und bringen Sie auch nicht Ihre Hände und Füße in die Nähe des Wasserstrahls.

⚠ VORSICHT: Seien Sie auf der Hut vor dem Rückstoß des Wasserstrahls und vor weggeschleuderten Gegenständen. Halten Sie die Düse nicht näher als 30 cm an das Objekt.

⚠ VORSICHT: Lassen Sie den Hochdruckreiniger nicht länger als 1 Minute ohne Wasser laufen.

⚠ VORSICHT: Betreiben Sie den Hochdruckreiniger nicht über eine längere Zeitspanne. Dies kann zu Überhitzung oder einem Brand führen. Außerdem kann langfristige Benutzung Gefährdung durch Vibrationen mit sich bringen.

⚠ VORSICHT: Achten Sie auf die Windrichtung. Falls das Reinigungsmittel in Ihre Augen oder Ihren Mund gelangt, spülen Sie die betroffenen Stellen sofort mit Frischwasser ab, und suchen Sie nötigenfalls ärztliche Behandlung auf.

ANMERKUNG: Vermeiden Sie den Gebrauch des Hochdruckreinigers für mehr als 1 Stunde. Legen Sie nach 1-stündigem Gebrauch eine ebenso lange Pause ein.

ANMERKUNG: Um den Mechanismus des Hochdruckreinigers zu schützen, verwenden Sie kein Wasser, das heißer als 40 °C ist.

1. Schließen Sie ein Ende des Hochdruckschlauchs an die Schaltpistole, und das andere Ende an den Hochdruckreiniger an.

2. Schließen Sie den Hochdruckreiniger mit einem Wasserschlauch an den Wasserhahn an. Öffnen Sie anschließend den Wasserhahn.

► **Abb.28**

3. Öffnen Sie die Abdeckung, setzen Sie die Akkus in den Hochdruckreiniger ein, und verriegeln Sie dann die Abdeckung.

► **Abb.29:** 1. Akku 2. Abdeckung

4. Stellen Sie den Hauptschalter auf Ihren gewünschten Modus.

► **Abb.30:** 1. Niederdruckmodus 2. AUS-Stellung 3. Hochdruckmodus

5. Um einen Wasserstrahl abzugeben, entriegeln Sie den Stopper, und drücken Sie den Auslöser. Der Strahl wird abgegeben, solange der Auslöser gedrückt gehalten wird.

► **Abb.31:** 1. Stopper

⚠ VORSICHT: Halten Sie die Schaltpistole mit festem Griff. Die Betätigung des Auslösers bewirkt einen Rückstoß an der Schaltpistole.

⚠ VORSICHT: Halten Sie die Schaltpistole beim Abgeben des Wasserstrahls immer an Griff und Pistolenauf.

ANMERKUNG: Achten Sie darauf, dass Sie die Schaltpistole während des Betriebs nicht gewaltsam ziehen. Dies kann zum Umkippen des Hochdruckreinigers führen.

Wenn Sie den Betrieb unterbrechen, können Sie die Schaltpistole vorübergehend ablegen, wie in der Abbildung gezeigt.

► **Abb.32**

Nach der Benutzung

⚠ VORSICHT: Führen Sie nach dem Betrieb des Hochdruckreinigers immer das in dieser Anleitung beschriebene Verfahren durch. Restdruck in der Schaltpistole oder im Hochdruckreiniger kann Personenschäden oder Beschädigung der internen Pumpe verursachen.

1. Schalten Sie den Hochdruckreiniger aus.

2. Schließen Sie den Wasserhahn, und trennen Sie den Wasserschlauch vom Hochdruckreiniger.

► **Abb.33**

3. Schalten Sie den Hochdruckreiniger wieder ein.

4. Drücken Sie den Auslöser, bis das restliche Wasser im Hochdruckreiniger ausgestoßen wird.

► **Abb.34**

ANMERKUNG: Lassen Sie den Motor nicht länger als 1 Minute laufen.

5. Schalten Sie den Hochdruckreiniger aus, und nehmen Sie die Akkus ab.

► **Abb.35:** 1. Netzschalter 2. Akku

6. Trennen Sie den Hochdruckschlauch von der Schaltpistole und dem Hochdruckreiner.

- **Abb.36:** 1. Schaltpistole 2. Hochdruckschlauch
3. Hochdruckreiner

ANMERKUNG: Um eine Beschädigung des Hochdruckschlauchs zu verhindern, lassen Sie das restliche Wasser im Schlauch vor der Lagerung ab.

WARTUNG UND LAGERUNG

⚠ VORSICHT: Vergewissern Sie sich vor der Durchführung von Inspektions- oder Wartungsarbeiten stets, dass das Werkzeug ausgeschaltet und der Akku abgenommen ist.

ANMERKUNG: Verwenden Sie auf keinen Fall Benzin, Waschbenzin, Verdünner, Alkohol oder dergleichen. Solche Mittel können Verfärbung, Verformung oder Rissbildung verursachen.

Um die SICHERHEIT und ZUVERLÄSSIGKEIT dieses Produkts zu gewährleisten, sollten Reparaturen und andere Wartungs- oder Einstellarbeiten nur von Makita-Vertragswerkstätten oder Makita-Kundendienstzentren unter ausschließlicher Verwendung von Makita-Originalersatzteilen ausgeführt werden.

Reinigen der Düse

Verwenden Sie den Reinigungsstift, um Schmutz von der Düse zu entfernen oder Verstopfungen zu beseitigen.

- **Abb.37:** 1. Reinigungsstift

ANMERKUNG: Entfernen Sie Schmutz oder Unrat nicht gewaltsam. Dies kann zu Personenschäden oder Beschädigung der Austrittsöffnung führen, wodurch abgewichene Strahlwinkel oder schlechte Leistung verursacht werden können.

Reinigen des Filters

Lösen Sie den Wasserschlauchverbinder, und entfernen Sie Schmutz und Unrat aus dem Inneren des Filters.

- **Abb.38:** 1. Wasserschlauchverbinder 2. Filter
3. Dichtungsring

Wenn Sie den Saugschlauchsatz (Sonderzubehör) verwenden, nehmen Sie den Filter aus dem Filtergehäuse heraus, und entfernen Sie Schmutz und Unrat.

- **Abb.39:** 1. Filter 2. Filtergehäuse

HINWEIS: Um die optimale Leistung aufrechtzuerhalten, reinigen Sie den Filter regelmäßig.

Lagerung

⚠ VORSICHT: Lagern Sie das Gerät immer in einem Innenraum, wo die Temperatur nicht unter den Gefrierpunkt sinkt. Falls der Hochdruckreiner einfriert und nicht richtig funktioniert, kontaktieren Sie Ihr örtliches Service-Center für Reparaturen.

Verstauen Sie die Zubehörteile in der Seitentasche des Hochdruckreinigers.

Lagerungsbeispiel

- **Abb.40:** 1. Hochdruckschlauch 2. Düse
3. Schaltpistole

Falls Ihr Modell mit dem Behälter geliefert wird, bewahren Sie den Hochdruckreiner und die Zubehörteile darin auf.

Lagerungsbeispiel

- **Abb.41:** 1. Hochdruckreiner 2. Düse
3. Schaltpistole 4. Waschbürste
5. Schaumdüse 6. Hochdruckschlauch
7. Ladegerät 8. Saugschlauchsatz
9. Druckfester Wasserschlauch

HINWEIS: In manchen Ländern werden einige der in der Abbildung gezeigten Zubehörteile als Sonderzubehör geliefert.

FEHLERSUCHE

Bevor Sie den Reparaturdienst anrufen, führen Sie zunächst Ihre eigene Inspektion durch. Falls Sie ein Problem finden, das nicht in der Anleitung erläutert wird, versuchen Sie nicht, das Werkzeug zu zerlegen. Wenden Sie sich stattdessen an autorisierte Makita-Kundendienstzentren, und achten Sie darauf, dass stets Makita-Ersatzteile für Reparaturen verwendet werden.

Zustand der Unregelmäßigkeit	Wahrscheinliche Ursache (Funktionsstörung)	Abhilfemaßnahme
Der Reiniger startet nicht.	Kein Strom	Setzen Sie geladene Akkus ein.
	Der Schalter ist nicht eingeschaltet.	Schalten Sie den Schalter ein.
	Restdruck in der Pumpe	Betätigen Sie den Auslöser.
	Akku oder Stromkreis beschädigt	Wenden Sie sich bezüglich einer Reparatur an ein autorisiertes Service-Center.
Kein Wasserstrahl / schwacher Wasserstrahl	Keine Wasserversorgung	Stellen Sie sicher, dass der Wasserhahn offen ist. Wenn Sie den Saugschlauchsatz verwenden, führen Sie dem Schlauch Wasser zu.
	Schlechte Wasserversorgung	Drehen Sie den Wasserhahn auf.
	Schlechter Wasserschlauchanschluss	Überprüfen Sie die Verbindung zwischen dem Hochdruckreiniger und dem Wasserhahn.
	Schlauch, Filter oder Düse verstopft	Beseitigen Sie die Verstopfung von Schlauch, Filter oder Düse.
	Luft blockiert den Wasserfluss.	Schalten Sie den Schalter aus und wieder ein, während Sie den Auslöser drücken.
	Düse beschädigt oder verschlissen	Ersetzen Sie die Düse.
	Funktionsstörung von Pumpe oder Ventil	Wenden Sie sich bezüglich einer Reparatur an ein autorisiertes Service-Center.
Instabiler Wasserstrahl	Düse verstopft	Beseitigen Sie die Verstopfung der Austrittsöffnung der Düse mit dem Reinigungsstift.
	Schlechte Wasseransaugung	Überprüfen Sie den Wasserschlauch vom Wasserhahn ausgehend auf etwaige Undichtigkeit oder Verstopfung. Drehen Sie den Wasserhahn auf.
	Das Wasser ist zu heiß.	Führen Sie kühleres Wasser zu.
	Funktionsstörung des Ventils	Wenden Sie sich bezüglich einer Reparatur an ein autorisiertes Service-Center.
Anormales Geräusch	Das Wasser ist zu heiß.	Führen Sie kühleres Wasser zu.
	Luft ist in der Pumpe eingeschlossen.	Wenden Sie sich bezüglich einer Reparatur an ein autorisiertes Service-Center.
Wasserleckage	Schlechte Verbindung	Überprüfen Sie die Verbindung zwischen dem Hochdruckreiniger und der Schaltpistole sowie dem Wasserhahn.
	Verschlissene Dichtungen	Wenden Sie sich bezüglich einer Reparatur an ein autorisiertes Service-Center.

SONDERZUBEHÖR

⚠ VORSICHT: Die folgenden Zubehörteile oder Vorrichtungen werden für den Einsatz mit dem in dieser Anleitung beschriebenen Makita-Werkzeug empfohlen. Die Verwendung anderer Zubehörteile oder Vorrichtungen kann eine Verletzungsgefahr darstellen. Verwenden Sie Zubehörteile oder Vorrichtungen nur für ihren vorgesehenen Zweck.

Wenn Sie weitere Einzelheiten bezüglich dieser Zubehörteile benötigen, wenden Sie sich bitte an Ihre Makita-Kundendienststelle.

HINWEIS: Manche Teile in der Liste können als Standardzubehör im Werkzeugsatz enthalten sein. Sie können von Land zu Land unterschiedlich sein.

Vario-Power-Sprühlanze

► Abb.42

Der Strahldruck kann durch Drehen der Düse eingestellt werden.

⚠ VORSICHT: Achten Sie beim Einstellen des Strahlendrucks darauf, dass Sie die Düse nicht drehen, während Sie sie zur Schaltpistole ziehen. Die Düse kann sich sonst von der Schaltpistole lösen und Personenschäden verursachen.

Schaumdüse

Länderspezifisch

► Abb.43

Reinigungsmittel kann als Schaum versprüht werden.

Waschbürste (lang)

► Abb.44

Eine mit einer Bürste ausgestattete Düse. Praktisch zum Auswaschen von Schmutz bei gleichzeitigem Scrubben mit der Bürste.

Saugschlauchsatz

► Abb.45

Ersetzen Sie den Wasserschlauch durch diesen Satz, um Wasser aus einem Tank oder Behälter zuzuführen.

Rotationswaschbürste

► Abb.46

Drei Bürsten im Inneren drehen sich langsam, während der Strahl abgegeben wird. Geeignet zum Entfernen von leichtem Schmutz auf einer Außenwand, Autokarosserie, Badewanne usw.

Lanzenverlängerung

► Abb.47

Rohre zum Verlängern der Länge der Schalthpistole. Drei unterschiedliche Längen sind durch Ändern der Anzahl der zu verwendenden Rohre verfügbar.

Unterboden-Sprühlanze

► Abb.48

Eine besonders lange Sprühlanze mit angewinkelter Düse. Optimal zum Reinigen schwer erreichbarer Stellen, wie z. B. Unterboden eines Autos und Dachrinne.

⚠ VORSICHT: Verwenden Sie die Unterboden-Sprühlanze nicht mit der Lanzenverlängerung.

Spritzschutz

► Abb.49

Reduziert Rückspritzen beim Reinigen von Ecken mit dem Dreckfräser.

Drehkupplung

► Abb.50

Verhindert Verdrehen des Hochdruckschlauchs.

Verbindungsstück

► Abb.51

Zum Anschließen einer Düse eines anderen Modells.

Bei einigen optionalen Düsen muss das Verbindungsstück (Sonderzubehör) an der Schalthpistole angebracht werden. Bringen Sie das Verbindungsstück auf die gleiche Weise wie die Düse an der Schalthpistole an.

► **Abb.52:** 1. Düse 2. Verbindungsstück
3. Schalthpistole

HINWEIS: Das Verbindungsstück wird benötigt, wenn die im Lieferumfang eines anderen Modells, HW112 oder HW121, enthaltenen Düsen verwendet werden.

Rohrreinigungssatz (10 m/15 m)

► Abb.53

Zum Reinigen und Entstopfen von Rohrleitungen und Fallrohren.

⚠ VORSICHT: Schenken Sie dem Wasserstrahl besondere Aufmerksamkeit, wenn Sie den Rohrreinigungssatz verwenden. Ein äußerst starker Wasserstrahl wird rückwärts ausgestoßen. Führen Sie den Schlauchkopf unbedingt in das Rohr ein, bevor Sie den Auslöser betätigen.

Hochdruck-Verlängerungsschlauch (5 m/8 m/10 m)

► Abb.54

Verlängerungsschlauch zum Verbinden des Hochdruckreiniger-Hauptteils mit der Schalthpistole.

AVVERTENZA

- Le macchine non devono essere utilizzate dai bambini. I bambini vanno tenuti sotto controllo per accertarsi che non giochino con la macchina.
- Questa macchina non è destinata all'utilizzo da parte di persone (inclusi i bambini) con capacità fisiche, sensoriali o mentali ridotte, o con carenza di esperienza e preparazione.
- Questa macchina è stata progettata per l'uso con il detergente fornito in dotazione o consigliato dal produttore. L'utilizzo di altri detersivi o altri prodotti chimici potrebbe influenzare negativamente la sicurezza della macchina.
- I getti ad alta pressione possono essere pericolosi, se soggetti a uso improprio. Il getto non deve essere rivolto verso persone, apparecchi elettrici sotto tensione o la macchina stessa.
- Non utilizzare la macchina in prossimità di altre persone, a meno che indossino indumenti protettivi.
- Non dirigere il getto contro se stessi o altri per pulire indumenti o calzature.
- Rischio di esplosioni: non spruzzare liquidi infiammabili.
- Le idropulitrici ad alta pressione non vanno utilizzate da bambini o persone non addestrate.
- Tubi flessibili ad alta pressione, raccordi e giunti sono fondamentali per la sicurezza della macchina. Utilizzare solo tubi flessibili, raccordi e giunti consigliati dal produttore.
- Per garantire la sicurezza della macchina, utilizzare solo pezzi di ricambio originali del produttore o approvati dal produttore.
- Prima di effettuare qualsiasi intervento sull'utensile, accertarsi sempre che l'utensile sia spento e che le cartucce delle batterie siano state rimosse.
- Non utilizzare la macchina qualora parti importanti di quest'ultima siano danneggiate, ad esempio dispositivi di sicurezza, tubi flessibili ad alta pressione, pistola a grilletto.
- Rimuovere sempre le cartucce delle batterie quando si intende lasciare la macchina incustodita.
- Conformarsi ai requisiti dell'azienda locale di distribuzione dell'acqua.

- Per le nazioni europee:
In base allo standard EN12729 (BA), l'elettrodomestico può anche venire collegato alla rete pubblica di distribuzione dell'acqua potabile, qualora si installi sul tubo flessibile di alimentazione una valvola antiriflusso (disconnettore idrico) con funzione di scarico.

DATI TECNICI

Modello:		DHW080
Volume massimo di alimentazione ^{*1}		6,3 L/min
Portata acqua ^{*2}	Modalità alta	5,5 L/min
	Modalità bassa	4,0 L/min
Pressione massima consentita		8,0 MPa
Pressione di esercizio ^{*2}	Modalità alta	5,5 MPa
	Modalità bassa	3,0 MPa
Pressione massima di alimentazione		1,0 MPa
Temperatura massima di alimentazione		40°C
Altezza massima di aspirazione		1 m
Tensione nominale		36 V CC
Dimensioni (L x P x A)		438 mm x 218 mm x 269 mm
Peso		7,1 - 7,7 kg

*1: quando si utilizza la spazzola di lavaggio.

*2: quando si utilizza la lancia a spruzzo.

- A causa del nostro programma continuativo di ricerca e sviluppo, i dati tecnici sono soggetti a modifiche senza preavviso.
- I dati tecnici possono variare da nazione a nazione.
- Il peso può variare a seconda dell'accessorio o degli accessori, inclusa la cartuccia della batteria. La combinazione più leggera e quella più pesante, secondo la procedura EPTA 01/2014, sono indicate nella tabella.

Cartuccia della batteria e caricabatterie applicabili

Cartuccia della batteria	BL1815N / BL1820 / BL1820B / BL1830 / BL1830B / BL1840 / BL1840B / BL1850 / BL1850B / BL1860B
Caricabatterie	DC18RC / DC18RD / DC18RE / DC18SD / DC18SE / DC18SF / DC18SH

- Alcune cartucce delle batterie e alcuni caricabatterie elencati sopra potrebbero non essere disponibili a seconda della propria area geografica di residenza.

⚠AVVERTIMENTO: Utilizzare solo le cartucce delle batterie e i caricabatterie elencati sopra. L'utilizzo di altre cartucce delle batterie e di altri caricabatterie potrebbe causare lesioni personali e/o un incendio.

Simboli

La figura seguente mostra i simboli utilizzati per l'apparecchio. Accertarsi di comprendere il loro significato prima dell'uso.



Leggere il manuale d'uso.



Adottare cura e attenzione particolari.



Ni-MH
Li-ion

Solo per le nazioni dell'EU
Non smaltire apparecchiature elettriche o batterie insieme ai rifiuti domestici!
In osservanza delle Direttive Europee sui rifiuti di apparecchiature elettriche ed elettroniche (RAEE), sulle batterie e gli accumulatori, nonché sulle batterie e gli accumulatori esausti, e dell'implementazione di tali direttive in conformità alle leggi locali, gli apparecchi elettrici e la/lle batteria/e che hanno raggiunto la fine della loro vita utile devono essere raccolti separatamente e conferiti a una struttura di smaltimento ecocompatibile.



Non collegare a un rubinetto di acqua potabile.



Non dirigere il getto verso persone, incluso l'utilizzatore stesso, animali e apparecchi elettrici sotto tensione.

Utilizzo previsto

Questo utensile è destinato alla pulizia dello sporco ostinato mediante l'uso di un getto d'acqua. Questo utensile è destinato all'utilizzo domestico.

Rumore

Livello tipico di rumore pesato A determinato in base allo standard EN60335-2-79:

Livello di pressione sonora (L_{pA}) : 70,9 dB (A)

Incertezza (K): 3,6 dB (A)

Il livello del rumore nelle condizioni di lavoro può superare gli 80 dB (A).

NOTA: Il valore o i valori dichiarati delle emissioni di rumori sono stati misurati in conformità a un metodo standard di verifica, e possono essere utilizzati per confrontare un utensile con un altro.

NOTA: Il valore o i valori dichiarati delle emissioni di rumori possono venire utilizzati anche per una valutazione preliminare dell'esposizione.

AVVERTIMENTO: Indossare protezioni per le orecchie.

AVVERTIMENTO: L'emissione di rumori durante l'utilizzo effettivo dell'utensile elettrico può variare rispetto al valore o ai valori dichiarati, a seconda dei modi in cui viene utilizzato l'utensile e specialmente a seconda di che tipo di pezzo venga lavorato.

AVVERTIMENTO: Accertarsi di identificare misure di sicurezza per la protezione dell'operatore che siano basate su una stima dell'esposizione nelle condizioni effettive di utilizzo (tenendo conto di tutte le parti del ciclo operativo, ad esempio del numero di spegnimenti dell'utensile e di quando giri a vuoto, oltre al tempo di attivazione).

Vibrazioni

Valore totale delle vibrazioni (somma vettoriale triassiale) determinato in base allo standard EN60335-2-79:

Emissione di vibrazioni (a_h) : 2,5 m/s^2 o inferiore

Incertezza (K): 1,5 m/s^2

NOTA: Il valore o i valori complessivi delle vibrazioni dichiarati sono stati misurati in conformità a un metodo standard di verifica, e possono essere utilizzati per confrontare un utensile con un altro.

NOTA: Il valore o i valori complessivi delle vibrazioni dichiarati possono venire utilizzati anche per una valutazione preliminare dell'esposizione.

AVVERTIMENTO: L'emissione delle vibrazioni durante l'utilizzo effettivo dell'utensile elettrico può variare rispetto al valore o ai valori dichiarati, a seconda dei modi in cui viene utilizzato l'utensile, specialmente a seconda di che tipo di pezzo venga lavorato.

AVVERTIMENTO: Accertarsi di identificare misure di sicurezza per la protezione dell'operatore che siano basate su una stima dell'esposizione nelle condizioni effettive di utilizzo (tenendo conto di tutte le parti del ciclo operativo, ad esempio del numero di spegnimenti dell'utensile e di quando giri a vuoto, oltre al tempo di attivazione).

Dichiarazione di conformità CE

Solo per i paesi europei

La dichiarazione di conformità CE è inclusa nell'Allegato A al presente manuale di istruzioni.

AVVERTENZE DI SICUREZZA IMPORTANTI

AVVERTIMENTO: Leggere tutte le avvertenze relative alla sicurezza e tutte le istruzioni. La mancata osservanza delle avvertenze e delle istruzioni può risultare in scosse elettriche, incendi e/o gravi lesioni personali.

Conservare tutte le avvertenze e le istruzioni come riferimento futuro.

AVVERTENZA - quando si utilizza questo prodotto, è necessario attenersi sempre alle precauzioni di base, incluse le seguenti:

Sicurezza dell'area di lavoro

1. Mantenere l'area di utilizzo libera da qualsiasi persona.
2. Non sporgersi né salire su supporti instabili. Mantenere una posizione sui piedi e un equilibrio saldi in qualsiasi momento.
3. Posizionare sempre il corpo dell'idropulitrice ad alta pressione su una superficie piana e stabile. Evitare le aree in cui l'acqua espulsa possa scorrere via o creare pozze.
4. Prima della pulizia, controllare gli ambienti circostanti e gli oggetti da pulire. I getti ad alta pressione possono raschiare via la vernice o altri trattamenti delle superfici, incluse sostanze chimiche tossiche. Se necessario, adottare delle misure preventive.
5. Fare attenzione a non inciampare sul tubo flessibile dell'idropulitrice ad alta pressione. Tenere sempre presente la configurazione del tubo flessibile durante l'uso.
6. Durante l'uso, una piccola quantità d'acqua fuoriesce dal lato inferiore dell'idropulitrice ad alta pressione nelle aree che non si intende bagnare.

Sicurezza personale

1. Per proteggersi dal getto e dagli oggetti colpiti dal getto, gli operatori dovrebbero indossare indumenti appropriati, quali stivali di sicurezza, guanti di sicurezza, caschi di sicurezza con visiere, protezioni per l'udito, e così via.
2. Non utilizzare l'idropulitrice ad alta pressione in prossimità di persone, a meno che indossino indumenti protettivi.
3. Per ridurre il rischio di lesioni personali, è necessaria una supervisione ravvicinata quando il prodotto viene utilizzato in prossimità di bambini.
4. Qualora venga effettuato un collegamento a un sistema di acqua potabile, il sistema deve essere protetto dal riflusso.
5. L'acqua che è passata attraverso un rompi-vuoto è considerata non potabile.

Sicurezza elettrica

1. Non toccare mai le cartucce delle batterie con le mani bagnate.
2. Non utilizzare la macchina qualora parti importanti di quest'ultima siano danneggiate, ad esempio dispositivi di sicurezza, tubi flessibili ad alta pressione o la pistola a grilletto.

Uso e cura dell'utensile elettrico

1. Leggere tutte le istruzioni prima di utilizzare il prodotto.
2. Essere informati su come arrestare l'idropulitrice ad alta pressione e far sfiatare le pressioni rapidamente. Avere la completa familiarità con i controlli.
3. I getti ad alta pressione possono essere pericolosi, se ne viene fatto un uso improprio. Il getto non deve essere rivolto verso persone, apparecchi elettrici sotto tensione o la macchina stessa.
4. Questa macchina non è destinata all'utilizzo da parte di persone (inclusi i bambini) con capacità fisiche, sensoriali o mentali ridotte, o con carenza di esperienza e preparazione.
5. I bambini vanno tenuti sotto controllo per accertarsi che non giochino con l'elettrodomestico.
6. Non spruzzare liquidi infiammabili e/o tossici. In caso contrario, si potrebbe causare un'esplosione, un'intossicazione o danni alla macchina.
7. Non dirigere il getto contro se stessi o altri per pulire indumenti o calzature.
8. Tubi flessibili ad alta pressione, raccordi e giunti sono fondamentali per la sicurezza della macchina. Utilizzare solo tubi flessibili, raccordi e giunti consigliati dal produttore.
9. Seguire le istruzioni quando si intende cambiare gli accessori.
10. Mantenere le maniglie asciutte, pulite e prive di olio o grasso.
11. Restare vigili: fare attenzione a cosa si sta facendo.
12. Non far funzionare il prodotto quando si è stanchi o sotto l'influenza di alcool o droghe.
13. Non far funzionare l'idropulitrice ad alta pressione senz'acqua per più di un minuto. In caso contrario, si danneggia il motore, causando un guasto.

14. Spegnerne sempre l'apparecchio e chiudere la condotta principale dell'acqua quando si intende lasciare l'idropulitrice ad alta pressione incustodita.
15. Fare attenzione ai contraccolpi. La pistola a grilletto rincula quando il getto ad alta pressione viene espulso dall'ugello. Mantenere saldamente la pistola a grilletto per evitare lesioni personali accidentali.
16. Prima dell'uso, controllare l'eventuale presenza di parti danneggiate o usurate. Inoltre, accertarsi che il tubo flessibile sia collegato correttamente e che non siano presenti perdite durante l'uso. L'utilizzo della macchina con difetti funzionali potrebbe causare un incidente.
17. Questa macchina è stata progettata per l'uso con il detergente fornito in dotazione o consigliato dal produttore. L'utilizzo di altri detersivi o altri prodotti chimici potrebbe influenzare negativamente la sicurezza della macchina.
18. Non tirare il tubo flessibile per spostare il corpo dell'idropulitrice ad alta pressione. In caso contrario, si danneggiano il tubo flessibile e le parti di collegamento, causando un cortocircuito o difetti funzionali.
19. Non collocare oggetti pesanti sul tubo flessibile né consentire a veicoli di passarvi sopra.
20. Scaricare sempre la pressione residua presente nella pistola a grilletto prima di scollegare il tubo flessibile.
21. Quando si intende collegare il tubo flessibile alla condotta principale dell'acqua, osservare le istruzioni del proprio acquedotto locale o della propria azienda.
22. Qualora l'idropulitrice ad alta pressione venga fatta cadere o colpisca un oggetto duro, accertarsi di controllare la presenza di eventuali danni e spaccature. L'utilizzo di un'idropulitrice ad alta pressione danneggiata potrebbe generare fumo, incendi o causare scosse elettriche, che potrebbero risultare in lesioni personali.
23. Durante l'uso di idropultrici ad alta pressione, possono formarsi degli aerosol. L'inalazione di aerosol può essere nociva per la salute.
24. A seconda dell'applicazione, è possibile utilizzare per la pulizia ad alta pressione degli ugelli schermati, che riducono in modo sostanziale l'emissione di aerosol idrati. Tuttavia, non tutte le applicazioni consentono l'utilizzo di dispositivi del genere. Qualora gli ugelli schermati non siano applicabili per la protezione dagli aerosol, potrebbe essere necessaria una maschera respiratoria di classe FFP 2 o equivalente, a seconda dell'ambiente di pulizia.
25. Evitare l'avvio accidentale. Accertarsi che l'interruttore sia nella posizione di spegnimento prima di effettuare il collegamento alla batteria e di sollevare o trasportare l'elettrodomestico. Il trasporto dell'elettrodomestico con il dito appoggiato sull'interruttore o il collegamento all'alimentazione elettrica di un elettrodomestico con l'interruttore di accensione attivato favoriscono gli incidenti.

26. **Scollegare la batteria dall'elettrodomestico prima di effettuare eventuali regolazioni, cambiare gli accessori o riporre gli elettrodomestici.** Tali misure di sicurezza preventive riducono il rischio di avvio accidentale dell'elettrodomestico.
27. **Non modificare né tentare di riparare l'elettrodomestico o la batteria, tranne per quanto indicato nelle istruzioni per l'uso e la manutenzione.**
28. **AVVERTENZA - rischio di iniezione o lesioni personali; non dirigere il flusso di scarico verso le persone.**

Uso e manutenzione degli strumenti a batterie

1. **Ricaricare solo con il caricabatterie specificato dal produttore.** Un caricabatterie appropriato per un tipo di batteria potrebbe creare un rischio di incendio, se utilizzato con un'altra batteria.
2. **Utilizzare gli utensili elettrici solo con le batterie specificamente designate.** L'uso di qualsiasi altra batteria potrebbe creare un rischio di lesioni personali e incendi.
3. **Quando la batteria non è in uso, tenerla lontana da altri oggetti metallici, quali graffette, monete, chiavi, chiodi, viti o altri piccoli oggetti metallici, che potrebbero fare contatto tra terminali diversi.** Il cortocircuito dei terminali della batteria può causare ustioni o incendi.
4. **In condizioni di uso improprio, la batteria potrebbe emettere un liquido: evitare il contatto con tale liquido. Qualora si verifichi un contatto accidentale con il liquido, lavare abbondantemente con acqua. Qualora il liquido entri in contatto con gli occhi, richiedere anche assistenza medica.** Il liquido espulso dalla batteria può causare irritazioni o ustioni.
5. **Non utilizzare una batteria o un utensile che siano danneggiati o che siano stati modificati.** Batterie danneggiate o modificate potrebbero mostrare un comportamento imprevedibile che può risultare in incendi, esplosioni o nel rischio di lesioni personali.
6. **Non esporre una batteria o un utensile al fuoco o a temperature eccessive.** L'esposizione al fuoco o a temperature superiori ai 130 °C potrebbe causare un'esplosione.
7. **Attenersi a tutte le istruzioni relative alla carica e non caricare la batteria o l'utensile al di fuori della gamma di temperature specificata nelle istruzioni.** Una carica inappropriata o a temperature al di fuori della gamma specificata potrebbe danneggiare la batteria e incrementare il rischio di incendio.

Assistenza

1. **Attenersi alle istruzioni di manutenzione specificate nel manuale.**
2. **Per garantire la sicurezza della macchina, utilizzare solo pezzi di ricambio originali del produttore o approvati dal produttore.**
3. **Gli interventi di manutenzione sull'idropulitrice ad alta pressione devono essere effettuati da un tecnico qualificato utilizzando solo parti di ricambio identiche.** Ciò assicura che la sicurezza dell'idropulitrice ad alta pressione venga preservata.
4. **In caso di guasto o malfunzionamento dell'idropulitrice ad alta pressione, spegnerla immediatamente e rimuovere la cartuccia della batteria o le cartucce delle batterie. Contattare il proprio rivenditore o centro di assistenza locale.**

Avvertenze aggiuntive per la sicurezza

1. **Conformarsi ai requisiti dell'azienda locale di distribuzione dell'acqua.**
2. **Non utilizzare l'utensile quando sussiste il rischio di fulmini.**
3. **Quando si utilizza l'utensile su suolo fangoso, pendii bagnati o ubicazioni scivolose, fare attenzione al proprio appoggio sui piedi.**
4. **Evitare di lavorare in un ambiente inadeguato in cui si preveda un maggiore affaticamento per l'utente.**
5. **Non sostituire la batteria sotto la pioggia.**
6. **Non immergere l'utensile in una pozzanghera.**
7. **Non lasciare l'utensile incustodito all'aperto sotto la pioggia.**
8. **Quando foglie bagnate o sporco aderiscono alla bocca di aspirazione (finestralla di ventilazione) a causa della pioggia, rimuoverle.**
9. **Non lavare l'utensile con acqua ad alta pressione.**
10. **Quando si intende lavare l'utensile, non lasciar penetrare acqua nell'impianto elettrico, ad esempio nella batteria, nel motore e nei terminali.**
11. **Quando si intende riporre l'utensile, evitare la luce solare diretta e la pioggia, e riporlo in un'ubicazione in cui non sia soggetto a temperature estremamente elevate o umidità.**
12. **Effettuare l'ispezione e la manutenzione in un'ubicazione in cui si possa evitare la pioggia.**
13. **Dopo aver utilizzato l'utensile, rimuovere lo sporco che si è depositato e far asciugare completamente l'utensile prima di riporlo.** A seconda della stagione o della zona, sussiste il rischio di malfunzionamento dovuto a congelamento.
14. **Non far bagnare i terminali della batteria con liquidi, ad esempio con acqua, né sommergere la batteria. Non lasciare la batteria sotto la pioggia e non caricarla, utilizzarla o riportarla in un'ubicazione umida o bagnata.** Qualora i terminali si bagnino o del liquido penetri all'interno della batteria, quest'ultima potrebbe venire cortocircuitata, e sussiste il rischio di surriscaldamento, incendio o esplosione.
15. **Dopo aver rimosso la batteria dall'utensile o dal caricabatterie, accertarsi di applicare il cappuccio della batteria su quest'ultima e di riporre la batteria in un'ubicazione asciutta.**
16. **Non sostituire la batteria con le mani bagnate.**

Avvertenze aggiuntive per la sicurezza

1. **Conformarsi ai requisiti dell'azienda locale di distribuzione dell'acqua.**
2. **Non utilizzare un alimentatore con cavo, ad esempio un adattatore per batterie o un gruppo di alimentazione portatile, insieme a questo elettrodomestico.** Il cavo di un alimentatore di questo tipo potrebbe interferire con il funzionamento e risultare in lesioni personali.

CONSERVARE LE PRESENTI ISTRUZIONI.

⚠AVVERTIMENTO: NON lasciare che la comodità o la familiarità d'uso con il prodotto (acquisita con l'uso ripetuto) sostituiscano la stretta osservanza delle norme di sicurezza.

L'USO IMPROPRIO o la mancata osservanza delle norme di sicurezza riportate nel presente manuale di istruzioni potrebbero causare lesioni personali gravi.

Istruzioni di sicurezza importanti per la cartuccia della batteria

1. Prima di utilizzare la cartuccia della batteria, leggere tutte le istruzioni e le avvertenze riportate (1) sul caricabatteria, (2) sulla batteria e (3) sul prodotto che utilizza la batteria.
2. Non smontare la cartuccia della batteria.
3. Qualora il tempo di utilizzo si riduca eccessivamente, interrompere immediatamente l'utilizzo dell'utensile. In caso contrario, si può incorrere nel rischio di surriscaldamento, possibili ustioni e persino un'esplosione.
4. Qualora l'elettrolita entri in contatto con gli occhi, sciacquarli con acqua pulita e richiedere immediatamente assistenza medica. Questa eventualità può risultare nella perdita della vista.
5. Non cortocircuitare la cartuccia della batteria:
 - (1) Non toccare i terminali con alcun materiale conduttivo.
 - (2) Evitare di conservare la cartuccia della batteria in un contenitore insieme ad altri oggetti metallici quali chiodi, monete, e così via.
 - (3) Non esporre la cartuccia della batteria all'acqua o alla pioggia.Un cortocircuito della batteria può causare un grande flusso di corrente, un surriscaldamento, possibili ustioni e persino un guasto.
6. Non conservare l'utensile e la cartuccia della batteria in ubicazioni in cui la temperatura possa raggiungere o superare i 50°C.
7. Non incenerire la cartuccia della batteria anche qualora sia gravemente danneggiata o completamente esaurita. La cartuccia della batteria può esplodere se a contatto con il fuoco.
8. Fare attenzione a non far cadere e a non colpire la batteria.
9. Non utilizzare una batteria danneggiata.
10. Le batterie a ioni di litio contenute sono soggette ai requisiti del regolamento sul trasporto di merci pericolose (Dangerous Goods Legislation).

Per trasporti commerciali, ad esempio da parte di terzi o spedizionieri, è necessario osservare dei requisiti speciali sull'imballaggio e sull'etichetta. Per la preparazione dell'articolo da spedire, è richiesta la consulenza di un esperto in materiali pericolosi. Attenersi anche alle normative nazionali, che potrebbero essere più dettagliate. Nastrare o coprire i contatti aperti e imballare la batteria in modo tale che non si possa muovere liberamente all'interno dell'imballaggio.

11. Quando si intende smaltire la cartuccia della batteria, rimuoverla dall'utensile e smaltirla in un luogo sicuro. Attenersi alle normative locali relative allo smaltimento della batteria.
12. Utilizzare le batterie esclusivamente con i prodotti specificati da Makita. L'installazione delle batterie in prodotti non compatibili potrebbe risultare in incendi, calore eccessivo, esplosioni o perdite di liquido elettrolitico.
13. Se l'utensile non viene utilizzato per un periodo di tempo prolungato, la batteria deve essere rimossa dall'utensile.

CONSERVARE LE PRESENTI ISTRUZIONI.

⚠ATTENZIONE: Utilizzare solo batterie originali Makita. L'utilizzo di batterie Makita non originali, o di batterie che siano state alterate, potrebbe risultare nello scoppio della batteria, causando incendi, lesioni personali e danni. Inoltre, ciò potrebbe invalidare la garanzia Makita per l'utensile e il caricabatterie Makita.

Suggerimenti per preservare la durata massima della batteria

1. Caricare la cartuccia della batteria prima che si scarichi completamente. Smettere sempre di utilizzare l'utensile e caricare la cartuccia della batteria quando si nota che la potenza dell'utensile è diminuita.
2. Non ricaricare mai una cartuccia della batteria completamente carica. La sovraccarica riduce la vita utile della batteria.
3. Caricare la cartuccia della batteria a una temperatura ambiente compresa tra 10°C e 40°C. Lasciar raffreddare una cartuccia della batteria prima di caricarla.
4. Caricare la cartuccia della batteria se non la si è utilizzata per un periodo di tempo prolungato (più di sei mesi).

DESCRIZIONE DELLE FUNZIONI

⚠ATTENZIONE: Accertarsi sempre che l'utensile sia spento e che la cartuccia della batteria sia stata rimossa prima di regolare o di controllare il funzionamento dell'utensile.

Installazione o rimozione della cartuccia della batteria

⚠ATTENZIONE: Spegnerne sempre l'utensile prima di installare o rimuovere la cartuccia della batteria.

⚠ATTENZIONE: Mantenere saldamente lo strumento e la batteria quando si intende installare o rimuovere la cartuccia della batteria. Qualora non si mantengano saldamente lo strumento e la cartuccia della batteria, questi ultimi potrebbero scivolare dalle mani, con la possibilità di causare un danneggiamento dello strumento e della cartuccia della batteria, nonché una lesione personale.

Per installare la cartuccia della batteria, aprire lo sportellino mentre si preme la leva di blocco. Allineare la linguetta sulla cartuccia della batteria con la scanalatura nell'alloggiamento, quindi far scivolare la batteria in sede. Inserirli completamente fino a quando si innesta in sede con un piccolo scatto. Qualora sia possibile vedere l'indicatore rosso sul lato superiore del pulsante, la batteria non è bloccata completamente. Dopo aver installato o rimosso le cartucce delle batterie, accertarsi di chiudere lo sportellino.

► Fig.1: 1. Sportellino 2. Leva di blocco

Per rimuovere le cartucce delle batterie, sollevare la cartuccia della batteria mentre si tiene premuto il pulsante sulla parte anteriore della cartuccia.

► Fig.2: 1. Indicatore rosso 2. Pulsante 3. Cartuccia della batteria

⚠ATTENZIONE: Installare sempre fino in fondo la cartuccia della batteria, fino a quando l'indicatore rosso non è più visibile. In caso contrario, la batteria potrebbe cadere accidentalmente dall'utensile, causando lesioni personali all'operatore o a chi gli è vicino.

⚠ATTENZIONE: Non installare forzatamente la cartuccia della batteria. Qualora la batteria non si inserisca scorrendo agevolmente, vuol dire che non viene inserita correttamente.

⚠ATTENZIONE: Prima dell'uso, accertarsi di aver bloccato lo sportellino.

Sistema di protezione strumento/batteria

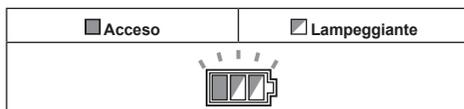
L'utensile è dotato di un sistema di protezione dell'utensile stesso e della batteria. Tale sistema interrompe automaticamente l'alimentazione al motore per prolungare la vita utile dell'utensile e della batteria. L'utensile si arresta automaticamente durante il funzionamento, qualora l'utensile o la batteria vengano a trovarsi in una delle condizioni seguenti:

Protezione dal sovraccarico

Quando la batteria viene utilizzata in modo tale da causare un assorbimento di corrente elevato in modo anomalo, l'utensile si arresta automaticamente senza alcuna indicazione. In questa situazione, spegnere l'utensile e interrompere l'applicazione che ha fatto sovraccaricare l'utensile. Quindi, accendere l'utensile per ricominciare.

Protezione dal surriscaldamento

Quando l'utensile è surriscaldato si arresta automaticamente, e l'indicatore della batteria lampeggia. In questa circostanza, lasciar raffreddare l'utensile prima di riaccenderlo.



Protezione dalla sovrascarica

Quando la carica della batteria non è sufficiente, l'utensile si arresta automaticamente. In tal caso, rimuovere la batteria dall'utensile e caricarla.

Indicazione della carica residua della batteria

Solo per cartucce delle batterie dotate di indicatore

► Fig.3: 1. Indicatori luminosi 2. Pulsante di controllo

Premere il pulsante di controllo sulla cartuccia della batteria per indicare la carica residua della batteria. Gli indicatori luminosi si illuminano per alcuni secondi.

Indicatori luminosi			Carica residua
 Illuminato	 Spento	 Lampeggiante	
			Dal 75% al 100%
			Dal 50% al 75%
			Dal 25% al 50%
			Dallo 0% al 25%
			Caricare la batteria.
			La batteria potrebbe essersi guastata.
			

NOTA: A seconda delle condizioni d'uso e della temperatura ambiente, l'indicazione potrebbe variare leggermente rispetto alla carica effettiva.

Indicazione della carica residua della batteria

AVVISO: L'indicatore della batteria non si accende, quando l'interruttore di accensione si trova nella posizione di **SPEGNIMENTO**. Per controllare la carica residua della batteria, disporre l'interruttore di accensione sulla modalità ad alta o bassa pressione.

Premere il pulsante di controllo per indicare le cariche residue delle batterie. Gli indicatori delle batterie corrispondono alle rispettive batterie.

► **Fig.4:** 1. Indicatore della batteria 2. Pulsante di controllo

Stato dell'indicatore della batteria			Carica residua della batteria
Acceso	Spento	Lampeggiante	
			Dal 50% al 100%
			Dal 20% al 50%
			Dallo 0% al 20%
			Caricare la batteria

Interruttore di accensione

AVVISO: Non ruotare forzatamente l'interruttore di accensione. Questo potrebbe causare il malfunzionamento dell'interruttore.

Ruotare l'interruttore di accensione in senso orario o antiorario, a seconda del livello della pressione. Ruotare l'interruttore di accensione in senso orario per la modalità ad alta pressione, e in senso antiorario per la modalità a bassa pressione.

► **Fig.5:** 1. Modalità a bassa pressione 2. Posizione di SPEGNIMENTO 3. Modalità ad alta pressione

NOTA: Gli indicatori delle batterie si illuminano per qualche secondo, quando si dispone l'interruttore di accensione sulla modalità ad alta o bassa pressione.

Funzioni dell'ugello

NOTA: Gli ugelli forniti in dotazione variano a seconda della nazione. Per informazioni su altri ugelli, fare riferimento anche alla sezione ACCESSORI OPZIONALI.

Lancia a spruzzo

Specifica in base alla nazione

► **Fig.6**

È possibile regolare la larghezza del getto da 0° a 25° ruotando l'estremità anteriore dell'ugello.

ATTENZIONE: Quando si intende regolare la larghezza del getto, non ruotare l'ugello mentre lo si tira verso la pistola a grilletto. L'ugello potrebbe staccarsi dalla pistola a grilletto e causare lesioni personali.

Scrostatore

Specifica in base alla nazione

► **Fig.7**

Viene espulso un getto a spirale. Idoneo per la rimozione dello sporco ostinato.

AVVISO: Non utilizzare lo scrostatore per pulire superfici fragili, quali finestre o carrozzerie di automobili.

Operazioni con il grilletto

Premere il grilletto per espellere un getto d'acqua. Il getto prosegue fintanto che il grilletto viene tenuto premuto.

È possibile bloccare il grilletto per un utilizzo sicuro della pistola a grilletto. Per bloccare il grilletto, estrarre il fermo e agganciarlo alla scanalatura presente sull'impugnatura.

► **Fig.8:** 1. Grilletto 2. Fermo 3. Scanalatura

AVVISO: Per evitare un errore meccanico nell'interruttore a pressione, lasciare passare sempre un intervallo di due secondi tra le operazioni effettuate con il grilletto.

Valvola di sicurezza

Questo elettrodomestico è dotato di una valvola di sicurezza che evita una sovrappressione eccessiva. Quando si rilascia il grilletto, la valvola si apre e l'acqua ricircola attraverso l'entrata della pompa.

ATTENZIONE: Non alterare né regolare l'impostazione della valvola di sicurezza.

Alimentazione dell'acqua da un serbatoio o da una cisterna

È possibile alimentare l'acqua da un serbatoio o una cisterna, anziché da un rubinetto.

Sostituire il raccordo per il tubo flessibile dell'acqua con il kit tubo flessibile di aspirazione. Quando si intende collegare il kit tubo flessibile di aspirazione, scollegare il contenitore del filtro dal tubo flessibile e applicare il contenitore del filtro all'entrata dell'idropulitrice ad alta pressione. Quindi, collegare il tubo flessibile al contenitore del filtro.

NOTA: Quando si intende collegare il tubo flessibile al contenitore del filtro o rimuoverlo da quest'ultimo, ruotare il manico mentre si tiene fermo il tubo flessibile, in modo che quest'ultimo non ruoti insieme al manico.

► **Fig.9:** 1. Serbatoio/cisterna 2. Kit tubo flessibile di aspirazione 3. Raccordo per il tubo flessibile dell'acqua 4. Tubo flessibile 5. Contenitore del filtro 6. Entrata sull'idropulitrice ad alta pressione 7. Fascetta stringitubo 8. Manico

⚠ATTENZIONE: Quando si intende montare il manico sul contenitore del filtro, fare attenzione a non farsi male alla mano con la fascetta stringitubo.

AVVISO: Utilizzare sempre il kit tubo flessibile di aspirazione Makita.

AVVISO: Mantenere sempre un'altezza di 1 m (3,28 ft) o meno tra l'entrata dell'idropulitrice ad alta pressione e la superficie dell'acqua. In caso contrario, l'idropulitrice ad alta pressione non sarà in grado di immettere l'acqua nella pompa.

Per introdurre acqua nel tubo flessibile, rimuovere l'ugello dalla pistola a grilletto e accendere l'idropulitrice ad alta pressione mentre si preme il grilletto. Una volta che l'acqua viene espulsa in modo stabile dalla pistola a grilletto, rilasciare il grilletto e applicare l'ugello adatto al proprio scopo.

► **Fig.10:** 1. Pistola a grilletto

NOTA: Quando l'acqua non viene espulsa, staccare il kit tubo flessibile di aspirazione e immergerlo in acqua. Quindi, ricollegarlo all'idropulitrice ad alta pressione.

► **Fig.11:** 1. Kit tubo flessibile di aspirazione

Quando si intende utilizzare il contenitore come serbatoio dell'acqua

È possibile utilizzare il contenitore fornito in dotazione con l'idropulitrice ad alta pressione (specifico in base alla nazione) come serbatoio dell'acqua.

1. Svuotare il contenitore e riempirlo con acqua.

► **Fig.12:** 1. Linea del livello massimo dell'acqua

AVVISO: Non alimentare acqua al di sopra della linea del livello massimo dell'acqua.

AVVISO: Il coperchio del contenitore non è del tipo a tenuta stagna. Fare attenzione a non versare l'acqua presente nel contenitore durante il trasporto.

2. Scollegare il contenitore del filtro dal tubo flessibile del kit tubo flessibile di aspirazione.

► **Fig.13:** 1. Tubo flessibile 2. Contenitore del filtro

3. Rimuovere il tappo sull'apertura di alimentazione dell'acqua e far passare il kit tubo flessibile di aspirazione attraverso l'apertura, come indicato nella figura.

► **Fig.14:** 1. Tappo 2. Supporto del tappo 3. Apertura di alimentazione dell'acqua 4. Kit tubo flessibile di aspirazione

NOTA: È possibile appoggiare il tappo dell'apertura di alimentazione dell'acqua sul supporto del tappo.

4. Rimuovere il raccordo per il tubo flessibile dell'acqua dall'apertura dell'idropulitrice ad alta pressione. Dopodiché, collegare il contenitore del filtro all'entrata e quindi il tubo flessibile al contenitore del filtro.

► **Fig.15:** 1. Entrata dell'idropulitrice ad alta pressione 2. Contenitore del filtro 3. Raccordo per il tubo flessibile dell'acqua 4. Tubo flessibile

5. Posizionare l'idropulitrice ad alta pressione sul contenitore, in modo che venga fissata con gli attacchi presenti sul coperchio del contenitore.

► **Fig.16:** 1. Idropulitrice ad alta pressione

2. Coperchio 3. Foro di spurgo dell'aria

AVVISO: Fare attenzione a come si maneggia il contenitore durante il trasporto. Il trasporto del contenitore con l'idropulitrice ad alta pressione e gli accessori o acqua all'interno potrebbe causare incidenti o lesioni personali a causa del peso del contenitore stesso.

AVVISO: Quando si trasporta il contenitore, non scuoterlo, non capovolgerlo, né inclinarlo eccessivamente. In caso contrario, si potrebbe causare quanto segue:

- la fuoriuscita dell'acqua contenuta all'interno;
- la caduta dal contenitore dell'idropulitrice ad alta pressione situata sul coperchio, oppure;
- l'impedimento della rotazione delle rotelle del contenitore.

AVVISO: Quando si trasporta il contenitore tenendolo per la maniglia, l'acqua potrebbe fuoriuscire, qualora sia presente una grande quantità d'acqua all'interno.

AVVISO: Dell'acqua potrebbe fuoriuscire dal foro di spurgo dell'aria, qualora l'acqua all'interno raggiunga il foro di spurgo dell'aria a causa dell'inclinazione del contenitore.

AVVISO: Non salire con i piedi sul contenitore. In caso contrario, si potrebbe rompere il coperchio.

AVVISO: Non lasciare il contenitore pieno d'acqua per un periodo di tempo prolungato. In caso contrario, si potrebbe causare il danneggiamento del contenitore, con conseguenti perdite d'acqua.

Dopo l'uso, attenersi alla procedura seguente:

1. Rimuovere il tappo sull'apertura di scarico e scaricare l'acqua.

► **Fig.17:** 1. Apertura di scarico

2. Rimuovere con un panno l'umidità presente all'interno del contenitore, quindi far asciugare completamente il contenitore.

AVVISO: Non conservare l'idropulitrice ad alta pressione e gli accessori mentre l'interno del contenitore è bagnato. L'umidità residua potrebbe causare un malfunzionamento e ruggine.

MONTAGGIO

⚠ATTENZIONE: Accertarsi sempre che l'utensile sia spento e che la cartuccia della batteria sia stata rimossa, prima di effettuare qualsiasi intervento sull'utensile.

Collegamento del tubo flessibile ad alta pressione

Collegare il tubo flessibile ad alta pressione all'uscita (con il simbolo della pistola). Ruotare il dado sul tubo flessibile ad alta pressione in senso orario, mentre lo si avvista sulla filettatura dell'uscita.

► **Fig.18:** 1. Uscita 2. Dado

ATTENZIONE: Accertarsi che il tubo flessibile ad alta pressione sia collegato in modo saldo. Un raccordo allentato potrebbe far staccare con violenza il tubo flessibile ad alta pressione, causando lesioni personali.

Montaggio della pistola a grilletto

Collegare il tubo flessibile ad alta pressione all'entrata sulla pistola a grilletto. Ruotare il dado sul tubo flessibile ad alta pressione in senso orario, mentre lo si avvista sulla filettatura dell'entrata.

► **Fig.19:** 1. Entrata 2. Dado

ATTENZIONE: Accertarsi che il tubo flessibile ad alta pressione sia collegato in modo saldo. Un raccordo allentato potrebbe far staccare con violenza il tubo flessibile ad alta pressione, causando lesioni personali.

Collegamento a un rubinetto

ATTENZIONE: Utilizzare sempre un tubo flessibile dell'acqua resistente alla pressione con un diametro di \varnothing 13 mm o superiore, e collegarlo al rubinetto utilizzando raccordi adatti. In caso contrario, il tubo flessibile dell'acqua e/o il raccordo potrebbero rompersi e causare lesioni personali.

AVVISO: Utilizzare un tubo flessibile dell'acqua resistente alla pressione che sia il più corto possibile. La quantità di acqua in entrata dovrebbe essere superiore al volume massimo di alimentazione della pompa.

AVVISO: Qualora si effettui il collegamento alla condotta dell'acqua potabile, utilizzare una valvola rompivuoto che soddisfi le normative della propria area geografica.

Preparare un tubo flessibile dell'acqua resistente alla pressione. Applicare il giunto di raccordo a un'estremità e collegare l'altra estremità al rubinetto nel modo seguente.

1. Rimuovere il dado sul giunto di raccordo e far passare il tubo flessibile dell'acqua resistente alla pressione attraverso il dado. Inserire l'estremità del tubo flessibile nel giunto di raccordo, quindi serrare il dado.
► **Fig.20:** 1. Tubo flessibile dell'acqua resistente alla pressione 2. Dado del giunto di raccordo 3. Giunto di raccordo

NOTA: Se si desidera collegare il tubo flessibile dell'acqua resistente alla pressione al rubinetto utilizzando un giunto di raccordo, preparare un altro giunto di raccordo e applicarlo all'altra estremità del tubo flessibile.

2. Collegare il tubo flessibile dell'acqua resistente alla pressione al rubinetto. Applicare un raccordo idoneo, ad esempio una fascetta stringitubo o un raccordo per rubinetto dell'acqua, per fissare l'estremità del tubo flessibile al rubinetto.

► **Fig.21:** 1. Fascetta stringitubo 2. Raccordo per rubinetto dell'acqua 3. Tubo flessibile dell'acqua resistente alla pressione

NOTA: Il raccordo dipende dalla forma del rubinetto a cui si intende effettuare il collegamento. Preparare un raccordo idoneo disponibile in commercio.

3. Applicare il raccordo per il tubo flessibile dell'acqua all'entrata (con il simbolo del rubinetto), quindi inserire il giunto di raccordo.

► **Fig.22:** 1. Giunto di raccordo 2. Raccordo per il tubo flessibile dell'acqua 3. Entrata sull'idropulitrice ad alta pressione

Collegamento/scollegamento dell'ugello

ATTENZIONE: Quando si intende collegare o scollegare l'ugello, bloccare sempre il grilletto della pistola a grilletto.

Inserire l'estremità dell'ugello nell'alloggiamento sulla pistola a grilletto, quindi ruotarlo nella direzione della freccia, come indicato nella figura. Per scollegare l'ugello, ruotarlo nella direzione inversa mentre lo si preme verso la pistola a grilletto.

► **Fig.23:** 1. Pistola a grilletto 2. Alloggiamento 3. Estremità dell'ugello

Collegamento dell'ugello schiumogeno

Accessorio opzionale

ATTENZIONE: Quando si intende collegare o scollegare l'ugello, bloccare sempre il grilletto della pistola a grilletto.

Preparare un detergente prima di utilizzare l'ugello schiumogeno.

1. Rimuovere l'ugello dal serbatoio ruotando l'ugello in senso antiorario. Applicare l'ugello alla pistola a grilletto.

► **Fig.24:** 1. Ugello 2. Pistola a grilletto

2. Versare il detergente nel serbatoio e installare quest'ultimo sull'ugello.

► **Fig.25:** 1. Serbatoio

AVVISO: Utilizzare sempre detergente neutro. Un detergente acido o alcalino potrebbe danneggiare il serbatoio o l'ugello.

Posizionamento della custodia da trasporto in plastica sul contenitore

Accessorio opzionale

È possibile collocare la custodia da trasporto in plastica Makita sul lato superiore del contenitore. Posizionare la custodia da trasporto in plastica sul contenitore in modo che venga fissata con gli attacchi presenti sul coperchio del contenitore.

- **Fig.26:** 1. Custodia da trasporto in plastica
2. Attacco

Posizionamento del contenitore sul carrello

Accessorio opzionale

Quando si intende trasportare il contenitore con il carrello Makita, mettere il contenitore in posizione. Accertarsi che il lato inferiore del contenitore si inserisca nella piattaforma del carrello.

- **Fig.27:** 1. Superficie inferiore del contenitore
2. Piattaforma del carrello

⚠ATTENZIONE: Quando si utilizza il carrello, non trasportare il contenitore pieno d'acqua. In caso contrario, si potrebbe perdere l'equilibrio e causare lesioni personali o la deformazione del contenitore, che porterebbe a perdita d'acqua.

FUNZIONAMENTO

⚠AVVERTIMENTO: Non toccare il getto d'acqua e non dirigerlo verso se stessi o altri. Il getto d'acqua è pericoloso e può ferire l'utilizzatore o altri.

⚠AVVERTIMENTO: Quando si spara il getto d'acqua, non tenere mai in mano l'oggetto che si intende pulire, né posizionare le mani e i piedi in prossimità del getto d'acqua.

⚠ATTENZIONE: Fare attenzione al rimbalzo del getto d'acqua e agli oggetti colpiti. Non avvicinare l'ugello a una distanza inferiore a 30 cm dall'oggetto.

⚠ATTENZIONE: Non far funzionare l'idropulitrice ad alta pressione senz'acqua per più di 1 minuto.

⚠ATTENZIONE: Non utilizzare l'idropulitrice ad alta pressione per periodi di tempo prolungati. In caso contrario, si potrebbe causare un surriscaldamento o un incendio. Inoltre, l'utilizzo a lungo termine potrebbe causare malesseri dovuti alle vibrazioni.

⚠ATTENZIONE: Fare attenzione alla direzione del vento. Qualora il detergente penetri negli occhi o in bocca, sciacquare immediatamente con acqua dolce e richiedere assistenza medica, se necessario.

AVVISO: Evitare l'uso dell'idropulitrice ad alta pressione per più di 1 ora. Dopo un utilizzo di 1 ora, fare una pausa della stessa durata.

AVVISO: Per proteggere il meccanismo dell'idropulitrice ad alta pressione, non utilizzare acqua a temperature superiori a 40°C.

1. Collegare un'estremità del tubo flessibile ad alta pressione alla pistola a grilletto, e l'altra estremità all'idropulitrice ad alta pressione.
2. Collegare l'idropulitrice ad alta pressione al rubinetto utilizzando un tubo flessibile dell'acqua. Dopodiché, aprire il rubinetto.
► **Fig.28**
3. Aprire lo sportellino e installare le cartucce delle batterie nell'idropulitrice ad alta pressione, quindi bloccare lo sportellino.
► **Fig.29:** 1. Cartuccia della batteria 2. Sportellino
4. Disporre l'interruttore di accensione sulla modalità desiderata.
► **Fig.30:** 1. Modalità a bassa pressione 2. Posizione di SPEGNIMENTO 3. Modalità ad alta pressione

5. Per emettere un getto d'acqua, sbloccare il fermo e premere il grilletto. Il getto prosegue fintanto che il grilletto viene tenuto premuto.
► **Fig.31:** 1. Fermo

⚠ATTENZIONE: Mantenere saldamente la pistola a grilletto. La pistola a grilletto rincula quando si preme il grilletto.

⚠ATTENZIONE: Mantenere sempre la pistola a grilletto per l'impugnatura e per la canna, durante l'espulsione del getto d'acqua.

AVVISO: Fare attenzione a non tirare con forza la pistola a grilletto durante l'uso. Questo potrebbe far rovesciare l'idropulitrice ad alta pressione.

Quando si sospende l'operazione, è possibile posizionare temporaneamente la pistola a grilletto come indicato nella figura.

- **Fig.32**

Dopo l'uso

⚠ATTENZIONE: Dopo aver utilizzato l'idropulitrice ad alta pressione, eseguire sempre la procedura descritta nel presente manuale. La pressione residua nella pistola a grilletto o nell'idropulitrice ad alta pressione può causare lesioni personali o danni alla pompa interna.

1. Spegner l'idropulitrice ad alta pressione.
2. Chiudere il rubinetto e scollegare il tubo flessibile dell'acqua dall'idropulitrice ad alta pressione.
► **Fig.33**
3. Riaccendere l'idropulitrice ad alta pressione.
4. Premere il grilletto fino a far scaricare l'acqua residua nell'idropulitrice ad alta pressione.
► **Fig.34**

AVVISO: Non far girare il motore per più di 1 minuto.

5. Spegnerne l'idropulitrice ad alta pressione e rimuovere le cartucce delle batterie.

► **Fig.35:** 1. Interruttore di accensione 2. Cartuccia della batteria

6. Scollegare il tubo flessibile ad alta pressione dalla pistola a grilletto e dall'idropulitrice ad alta pressione.

► **Fig.36:** 1. Pistola a grilletto 2. Tubo flessibile ad alta pressione 3. Idropulitrice ad alta pressione

AVVISO: Per evitare che il tubo flessibile ad alta pressione si danneggi, rimuovere l'acqua residua nel tubo flessibile prima di riporlo.

MANUTENZIONE E CONSERVAZIONE

ATTENZIONE: Prima di tentare di eseguire interventi di ispezione o manutenzione, accertarsi sempre che l'utensile sia spento e che la cartuccia della batteria sia stata rimossa.

AVVISO: Non utilizzare mai benzina, benzene, solventi, alcol o altre sostanze simili. In caso contrario, si potrebbero causare scolorimenti, deformazioni o crepe.

Per preservare la SICUREZZA e l'AFFIDABILITÀ del prodotto, le riparazioni e qualsiasi altro intervento di manutenzione e di regolazione devono essere eseguiti da un centro di assistenza autorizzato Makita, utilizzando sempre ricambi Makita.

Pulizia dell'ugello

Utilizzare lo spillo di pulizia per rimuovere lo sporco dall'ugello o disostruirlo.

► **Fig.37:** 1. Spillo di pulizia

AVVISO: Non rimuovere con la forza sporco o detriti. In caso contrario, si potrebbero causare lesioni personali o danni al foro di espulsione, causando angolazioni deviate del getto o prestazioni scadenti.

Pulizia del filtro

Scollegare il raccordo per il tubo flessibile dell'acqua e rimuovere lo sporco e i detriti dall'interno del filtro.

► **Fig.38:** 1. Raccordo per il tubo flessibile dell'acqua 2. Filtro 3. Anello di guarnizione

Quando si intende utilizzare il kit tubo flessibile di aspirazione (accessorio opzionale), estrarre il filtro dal contenitore del filtro e rimuovere sporco e detriti.

► **Fig.39:** 1. Filtro 2. Contenitore del filtro

NOTA: Per mantenere prestazioni ottimali, pulire a intervalli regolari il filtro.

Conservazione

ATTENZIONE: Conservare sempre in un'ubicazione al chiuso in cui la temperatura non scenda al di sotto di quella di congelamento. Qualora l'idropulitrice ad alta pressione si congeli e si guasti, contattare il proprio centro di assistenza locale per chiedere la riparazione.

Riporre gli accessori nella tasca laterale dell'idropulitrice ad alta pressione.

Esempio di stoccaggio

► **Fig.40:** 1. Tubo flessibile ad alta pressione 2. Ugello 3. Pistola a grilletto

Se con il modello utilizzato è fornito in dotazione il contenitore, riporre l'idropulitrice ad alta pressione e gli accessori nel contenitore.

Esempio di stoccaggio

► **Fig.41:** 1. Idropulitrice ad alta pressione 2. Ugello 3. Pistola a grilletto 4. Spazzola di lavaggio 5. Ugello schiumogeno 6. Tubo flessibile ad alta pressione 7. Caricabatterie 8. Kit tubo flessibile di aspirazione 9. Tubo flessibile dell'acqua resistente alla pressione

NOTA: Alcuni accessori mostrati nella figura vengono forniti come accessori opzionali, in alcune nazioni.

RISOLUZIONE DEI PROBLEMI

Prima di richiedere riparazioni, eseguire un'ispezione personalmente. Qualora si rilevi un problema che non è illustrato nel manuale, non tentare di smontare l'utensile. Rivolgersi, invece, a un centro di assistenza autorizzato Makita, utilizzando sempre pezzi di ricambio Makita per le riparazioni.

Stato di anomalia	Causa probabile (guasto)	Azione correttiva
L'idropulitrice non si avvia.	Elettricità assente	Installare cartucce delle batterie cariche.
	L'interruttore non è attivato.	Attivare l'interruttore.
	Pressione residua nella pompa	Premere il grilletto.
	Batteria o circuito elettrico danneggiati	Contattare un centro di assistenza autorizzato per richiedere le riparazioni.
Getto d'acqua assente o debole	Alimentazione dell'acqua assente	Accertarsi che il rubinetto sia aperto. Se si sta utilizzando il kit tubo flessibile di aspirazione, introdurre l'acqua nel tubo flessibile.
	Alimentazione dell'acqua insufficiente	Aprire il rubinetto.
	Collegamento scadente del tubo flessibile dell'acqua	Controllare il collegamento tra l'idropulitrice ad alta pressione e il rubinetto dell'acqua.
	Tubo flessibile, filtro o ugello ostruiti	Disostruire il tubo flessibile, il filtro o l'ugello.
	L'aria sta ostacolando il flusso dell'acqua.	Disattivare l'interruttore, quindi riattivarlo mentre si tiene premuto il grilletto.
	Ugello danneggiato o usurato	Sostituire l'ugello.
	Guasto della pompa o della valvola	Contattare un centro di assistenza autorizzato per richiedere le riparazioni.
Getto d'acqua instabile	Ugello ostruito	Disostruire il foro di espulsione dell'ugello utilizzando lo spillo di pulizia.
	Aspirazione dell'acqua insufficiente	Controllare il tubo flessibile dell'acqua a partire dal rubinetto alla ricerca di eventuali perdite od ostruzioni. Aprire il rubinetto.
	L'acqua è troppo calda.	Alimentare acqua più fredda.
	Guasto della valvola	Contattare un centro di assistenza autorizzato per richiedere le riparazioni.
Rumore anormale	L'acqua è troppo calda.	Alimentare acqua più fredda.
	Dell'aria è intrappolata nella pompa.	Contattare un centro di assistenza autorizzato per richiedere le riparazioni.
Perdita d'acqua	Collegamento scadente	Controllare il collegamento tra l'idropulitrice ad alta pressione, la pistola a grilletto e il rubinetto dell'acqua.
	Guarnizioni usurate	Contattare un centro di assistenza autorizzato per richiedere le riparazioni.

ACCESSORI OPZIONALI

⚠ATTENZIONE: Questi accessori o componenti aggiuntivi sono consigliati per l'uso con l'utensile Makita specificato nel presente manuale. L'impiego di altri accessori o componenti aggiuntivi può costituire un rischio di lesioni alle persone. Utilizzare gli accessori o i componenti aggiuntivi solo per il loro scopo prefissato.

Per ottenere ulteriori dettagli relativamente a questi accessori, rivolgersi a un centro di assistenza Makita.

NOTA: Alcuni articoli nell'elenco potrebbero essere inclusi nell'imballaggio dell'utensile come accessori standard. Tali articoli potrebbero variare da nazione a nazione.

Lancia a spruzzo Vario-Power

► Fig.42

È possibile regolare la pressione del getto ruotando l'ugello.

⚠ATTENZIONE: Quando si intende regolare la pressione del getto, non ruotare l'ugello mentre lo si tira verso la pistola a grilletto. L'ugello potrebbe staccarsi dalla pistola a grilletto e causare lesioni personali.

Ugello schiumogeno

Specifica in base alla nazione

► Fig.43

È possibile spruzzare del detergente sotto forma di schiuma.

Spazzola di lavaggio (lunga)

► Fig.44

Ugello dotato di spazzola. Utile per lavare via lo sporco mentre si scrosta con la spazzola.

Kit tubo flessibile di aspirazione

► Fig.45

Sostituire il tubo flessibile dell'acqua con questo kit per fornire acqua da un serbatoio o una cisterna.

Spazzola di lavaggio rotante

► Fig.46

Tre spazzole interne ruotano lentamente durante l'espulsione del getto. Adatto per la pulizia di sporco leggero su pareti esterne, carrozzerie di auto, vasche da bagno e così via.

Prolunga per lancia

► Fig.47

Tubi per aumentare la lunghezza della pistola a grilletto. Sono disponibili tre lunghezze diverse, cambiando il numero di tubi utilizzati.

Lancia a spruzzo per sottoscocche

► Fig.48

Lancia a spruzzo molto lunga con ugello angolato. Ottimale per pulire zone difficilmente raggiungibili, ad esempio sottoscocche di auto e grondaie di tetti.

⚠ATTENZIONE: Non utilizzare la lancia a spruzzo per sottoscocche insieme alla prolunga per lancia.

Paraspruzzi

► Fig.49

Riduce gli spruzzi di rimbalzo durante la pulizia di angoli con lo scrostatore.

Giunto girevole

► Fig.50

Evita che il tubo flessibile ad alta pressione si attorcigli.

Giunto di collegamento

► Fig.51

Un giunto a cui collegare un ugello di un altro modello.

Alcuni ugelli opzionali richiedono il giunto di collegamento (accessorio opzionale) per montare la pistola a grilletto. Applicare il giunto di collegamento sulla pistola a grilletto in modo analogo all'ugello.

► Fig.52: 1. Ugello 2. Giunto di collegamento
3. Pistola a grilletto

NOTA: Il giunto di collegamento è necessario quando si intende utilizzare gli ugelli inclusi con un altro modello, HW112 o HW121.

Kit di pulizia per tubi (10 m/15 m)

► Fig.53

Per pulire e disostruire condutture e pluviali.

⚠ATTENZIONE: Fare particolarmente attenzione al getto d'acqua quando si utilizza il kit di pulizia per tubi. Viene espulso un getto d'acqua estremamente forte all'indietro. Accertarsi di inserire la testa del tubo flessibile nel tubo, prima di premere il grilletto.

Prolunga per tubo flessibile ad alta pressione (5 m/8 m/10 m)

► Fig.54

Tubo flessibile di prolunga per collegare il corpo dell'idropulitrice ad alta pressione alla pistola a grilletto.

WAARSCHUWING

- Het apparaat mag niet door kinderen worden gebruikt. Kinderen moeten onder toezicht staan om ervoor te zorgen dat ze niet met het apparaat spelen.
- Dit apparaat is niet geschikt voor gebruik door personen (waaronder kinderen) met een verminderd lichamelijk, zintuiglijk of geestelijk vermogen, of gebrek aan kennis en ervaring.
- Dit apparaat is ontworpen voor gebruik met het reinigingsmiddel dat is bijgeleverd of wordt aanbevolen door de fabrikant. Het gebruik van andere reinigingsmiddelen of chemicaliën kan de veiligheid van het apparaat nadelig beïnvloeden.
- Een hogedrukstraal kan gevaarlijk zijn indien deze verkeerd wordt gebruikt. De straal mag niet worden gericht op personen, stroomvoerende elektrische apparaten en dit apparaat zelf.
- Gebruik het apparaat niet binnen bereik van personen, behalve indien zij beschermende kleding dragen.
- Richt de straal niet op uzelf of anderen om kleding of schoeisel te reinigen.
- Explosiegevaar - Spuit geen brandbare vloeistoffen.
- Hogedrukreinigers mogen niet worden gebruikt door kinderen of niet-opgeleide personen.
- Hogedrukslangen, aansluitingen en koppelingen zijn belangrijk voor de veiligheid van het apparaat. Gebruik uitsluitend slangen, aansluitingen en koppelingen die worden aanbevolen door de fabrikant.
- Om de veiligheid van het apparaat te waarborgen, gebruikt u uitsluitend reserveonderdelen van de fabrikant of goedgekeurd door de fabrikant.
- Controleer altijd of het gereedschap is uitgeschakeld en de accu's zijn verwijderd alvorens enige werkzaamheden aan het gereedschap uit te voeren.
- Gebruik het apparaat niet wanneer belangrijke onderdelen van het apparaat beschadigd zijn, bijvoorbeeld een veiligheidsinrichting, hogedrukslang, spuitpistool.
- Verwijder altijd de accu's wanneer u het apparaat onbeheerd achterlaat.

- Voldoe aan de vereisten van het lokale waterleidingbedrijf.
- Voor Europese landen:
Conform EN12729 (BA) mag het apparaat tevens worden aangesloten op het hoofddrinkwaterleidingnet in het geval een terugstroomkeerklap met aftapinrichting is gemonteerd in de aanvoerslang.

TECHNISCHE GEGEVENS

Model:		DHW080
Max. aanvoersnelheid ^{*1}		6,3 l/min
Waterstroomsnelheid ^{*2}	Hogedrukfunctie	5,5 l/min
	Lagedrukfunctie	4,0 l/min
Max. toegestane druk		8,0 MPa
Bedrijfsdruk ^{*2}	Hogedrukfunctie	5,5 MPa
	Lagedrukfunctie	3,0 MPa
Max. aanvoerdruk		1,0 MPa
Max. aanvoertemperatuur		40°C
Max. aanzuighoogte		1 m
Nominale spanning		36 V gelijkspanning
Afmetingen (l x b x h)		438 mm x 218 mm x 269 mm
Gewicht		7,1 - 7,7 kg

*1: Bij gebruik van de wasborstel.

*2: Bij gebruik van de spuitlans.

- In verband met ononderbroken research en ontwikkeling, behouden wij ons het recht voor de bovenstaande technische gegevens zonder voorafgaande kennisgeving te wijzigen.
- De technische gegevens kunnen van land tot land verschillen.
- Het gewicht kan verschillen afhankelijk van de hulpstukken, waaronder de accu. De lichtste en zwaarste combinatie, overeenkomstig de EPTA-procedure 01/2014, worden getoond in de tabel.

Toepasselijke accu's en laders

Accu	BL1815N / BL1820 / BL1820B / BL1830 / BL1830B / BL1840 / BL1840B / BL1850 / BL1850B / BL1860B
Lader	DC18RC / DC18RD / DC18RE / DC18SD / DC18SE / DC18SF / DC18SH

- Sommige van de hierboven vermelde accu's en laders zijn mogelijk niet leverbaar afhankelijk van waar u woont.

⚠ WAARSCHUWING: Gebruik uitsluitend de accu's en laders die hierboven worden genoemd. Gebruik van enige andere accu of lader kan leiden tot letsel en/of brand.

Symbolen

Hieronder staan de symbolen die voor het gereedschap worden gebruikt. Zorg ervoor dat u weet wat ze betekenen alvorens het gereedschap te gebruiken.



Lees de gebruiksaanwijzing.



Wees vooral voorzichtig en let goed op.



Alleen voor EU-landen
Geef elektrisch gereedschap en accu's niet met het huisvuil mee!
Volgens de Europese richtlijn inzake oude elektrische en elektronische apparaten, en inzake batterijen en accu's, en de toepassing daarvan binnen de nationale wetgeving, dienen elektrisch gereedschap, accu's en batterijen die het einde van hun levensduur hebben bereikt, gescheiden te worden ingezameld en te worden afgevoerd naar een recyclebedrijf dat voldoet aan de geldende milieu-eisen.



Sluit niet aan op een drinkwaterkraan.



Richt de straal niet op personen, inclusief uzelf, dieren en stroomvoerende elektrische apparaten.

Gebruiksdoelinden

Dit gereedschap is bedoeld voor het verwijderen van hardnekkig vuil met behulp van een waterstraal. Dit gereedschap is bedoeld voor huishoudelijk gebruik.

Geluidsniveau

De typische, A-gewogen geluidsniveaus zijn gemeten volgens EN60335-2-79:

Geluidsdrukniveau (L_{pA}): 70,9 dB (A)

Onzekerheid (K): 3,6 dB (A)

Het geluidsniveau kan tijdens gebruik hoger worden dan 80 dB (A).

OPMERKING: De opgegeven geluidsemisiewaarde(n) is/zijn gemeten volgens een standaardtestmethode en kan/kunnen worden gebruikt om dit gereedschap te vergelijken met andere gereedschappen.

OPMERKING: De opgegeven geluidsemisiewaarde(n) kan/kunnen ook worden gebruikt voor een beoordeling vooraf van de blootstelling.

WAARSCHUWING: Draag gehoorbescherming.

WAARSCHUWING: De geluidsemisie tijdens het gebruik van het elektrisch gereedschap in de praktijk kan verschillen van de opgegeven waarde(n) afhankelijk van de manier waarop het gereedschap wordt gebruikt, met name van het soort werkstuk waarmee wordt gewerkt.

WAARSCHUWING: Zorg ervoor dat veiligheidsmaatregelen worden getroffen ter bescherming van de gebruiker die zijn gebaseerd op een schatting van de blootstelling onder praktijkomstandigheden (rekening houdend met alle fasen van de bedrijfscyclus, zoals de tijdsduur gedurende welke het gereedschap is uitgeschakeld en stationair draait, naast de ingeschakelde tijdsduur).

Trilling

De totale trillingswaarde (triaxiale vectorsom) zoals

vastgesteld volgens EN60335-2-79:

Trillingsemisie (a_h): 2,5 m/s² of lager

Onzekerheid (K): 1,5 m/s²

OPMERKING: De totale trillingswaarde(n) is/zijn gemeten volgens een standaardtestmethode en kan/kunnen worden gebruikt om dit gereedschap te vergelijken met andere gereedschappen.

OPMERKING: De opgegeven totale trillingswaarde(n) kan/kunnen ook worden gebruikt voor een beoordeling vooraf van de blootstelling.

WAARSCHUWING: De trillingsemisie tijdens het gebruik van het elektrisch gereedschap in de praktijk kan verschillen van de opgegeven waarde(n) afhankelijk van de manier waarop het gereedschap wordt gebruikt, met name van het soort werkstuk waarmee wordt gewerkt.

WAARSCHUWING: Zorg ervoor dat veiligheidsmaatregelen worden getroffen ter bescherming van de gebruiker die zijn gebaseerd op een schatting van de blootstelling onder praktijkomstandigheden (rekening houdend met alle fasen van de bedrijfscyclus, zoals de tijdsduur gedurende welke het gereedschap is uitgeschakeld en stationair draait, naast de ingeschakelde tijdsduur).

EG-verklaring van conformiteit

Alleen voor Europese landen

De EG-verklaring van conformiteit is bijgevoegd als Bijlage A bij deze gebruiksaanwijzing.

BELANGRIJKE VEILIGHEIDSWAARSCHUWINGEN

WAARSCHUWING: Lees alle veiligheidswaarschuwingen en alle instructies. Het niet volgen van de waarschuwingen en instructies kan leiden tot elektrische schokken, brand en/of ernstig letsel.

Bewaar alle waarschuwingen en instructies om in de toekomst te kunnen raadplegen.

WAARSCHUWING - Bij het gebruik van dit apparaat, moeten basisvoorzorgsmaatregelen altijd worden genomen, waaronder de volgende:

Veiligheid op de werkplek

1. Houd iedereen weg uit het werkgebied.
2. Reik niet te ver en sta niet op een onstabiele ondergrond. Zorg altijd voor een goede stand en lichaamsbalans.
3. Plaats de hogedrukreiniger altijd op een horizontale en stabiele ondergrond. Vermijd daarbij plaatsen waar het spuitwater wegloopt of zich verzamelt.
4. Alvorens te reinigen, controleert u de omgeving en voorwerpen die moeten worden gereinigd. De hogedrukstraal kan een verlaag of andere oppervlaktebehandeling verwijderen, waaronder giftige chemicaliën. Tref zo nodig preventieve maatregelen.
5. Wees voorzichtig dat u niet over de slang van de hogedrukreiniger struikelt. Houd tijdens gebruik altijd in de gaten waar de slang ligt.
6. Tijdens gebruik komt er een kleine hoeveelheid water uit de onderkant van de hogedrukreiniger. Zet de hogedrukreiniger niet neer op een plaats waarvan u niet wilt dat deze nat wordt.

Persoonlijke veiligheid

1. Als bescherming tegen de straal en weggespoten voorwerpen moeten gebruikers geschikte beschermingsmiddelen gebruiken, zoals beschermende kleding, veiligheidsschoenen, veiligheidshandschoenen, een veiligheidshelm met vizier, gehoorbescherming, enz.
2. Gebruik de hogedrukreiniger niet binnen bereik van personen, behalve indien zij beschermende kleding dragen.
3. Om de kans op letsel te verkleinen, dient streng toezicht te worden gehouden wanneer het apparaat in de buurt van kinderen wordt gebruikt.
4. Als wordt aangesloten op het drinkwaterleidingnet, dient dit beveiligd te zijn tegen terugstromen.
5. Water dat via de terugstroomkeerlep eruit stroomt, wordt geacht niet drinkbaar te zijn.

Elektrische veiligheid

1. Raak de accu's nooit met natte handen aan.
2. Gebruik het apparaat niet wanneer belangrijke onderdelen van het apparaat beschadigd zijn, bijvoorbeeld een veiligheidsinrichting, hogedrukslang of het spuitpistool.

Gebruik en verzorging van het elektrisch gereedschap

1. Lees alle instructies voordat u het apparaat gebruikt.
2. Weet hoe u de hogedrukreiniger moet stoppen en snel de druk kunt aflaten. Zorg dat u grondig vertrouwd bent met de bedieningsorganen.
3. Een hogedrukstraal kan gevaarlijk zijn indien deze verkeerd wordt gebruikt. De straal mag niet worden gericht op personen, stroomvoerende elektrische apparaten en dit apparaat zelf.
4. Dit apparaat is niet geschikt voor gebruik door personen (waaronder kinderen) met een verminderd lichamelijk, zintuiglijk of geestelijk vermogen, of gebrek aan kennis en ervaring.
5. Kinderen dienen onder toezicht te staan om ervoor te zorgen dat zij niet met het apparaat spelen.
6. Spuit geen brandbare en/of giftige vloeistoffen. Dit kan leiden tot een explosie, vergiftiging of schade aan het apparaat.
7. Richt de straal niet op uzelf of anderen om kleding of schoeisel te reinigen.
8. De hogedrukslang, aansluitingen en koppelingen zijn belangrijk voor de veiligheid van het apparaat. Gebruik uitsluitend slangen, aansluitingen en koppelingen die worden aanbevolen door de fabrikant.
9. Volg de instructies wanneer u accessoires verwisselt.
10. Houd de handgrepen droog, schoon en vrij van olie en vet.
11. Blijf opletten - Kijk waar u mee bezig bent.
12. Gebruik het gereedschap niet wanneer u vermoeid bent of onder invloed van alcohol of drugs.
13. Schakel de hogedrukreiniger niet in zonder aanvoer van water gedurende langer dan één minuut. Hierdoor zal de motor beschadigd worden waardoor een storing optreedt.

14. Schakel het apparaat altijd uit en sluit de wateraanvoer wanneer u de hogedrukreiniger onbeheerd achterlaat.
15. Wees bedacht op de terugslag. Het spuitpistool slaat terug wanneer de hogedrukstraal uit de spuitmond komt. Houd het spuitpistool stevig vast om onverwacht letsel te voorkomen.
16. Controleer op beschadigde of versleten onderdelen vóór gebruik. Verzeker u er tevens van dat de slang correct is aangesloten en tijdens gebruik niet lekt. Het gebruik van een gebrekkig werkend apparaat, kan leiden tot ongevallen.
17. Dit apparaat is ontworpen voor gebruik met het reinigingsmiddel dat is bijgeleverd of wordt aanbevolen door de fabrikant. Het gebruik van andere reinigingsmiddelen of chemicaliën kan de veiligheid van het apparaat nadelig beïnvloeden.
18. Trek niet aan de slang om de hogedrukreiniger te verplaatsen. Hierdoor zal de slang en aangesloten onderdelen worden beschadigd, en zal kortsluiting of een defect ontstaan.
19. Plaats geen zware voorwerpen op de slang en laat er geen voertuigen over rijden.
20. Laat altijd de restdruk in het spuitpistool af voordat u de slang loskoppelt.
21. Wanneer u de slang aansluit op het waterleidingnet, houdt u zich aan de instructies van het waterleidingbedrijf.
22. Als de hogedrukreiniger valt of tegen een hard voorwerp wordt gestoten, moet u hem controleren op beschadigingen en barsten. Het gebruik van een beschadigde hogedrukreiniger kan leiden tot rookontwikkeling, brand of een elektrische schok, waardoor persoonlijk letsel kan ontstaan.
23. Tijdens gebruik van hogedrukreinigers kunnen aerosolen worden gevormd. Het inhaleren van aerosolen kan gevaarlijk zijn voor de gezondheid.
24. Afhankelijk van de toepassing kunnen afgeschermde spuitmonden worden gebruikt voor reinigen met hoge druk, waarmee de uitstoot van waterhoudende aerosolen dramatisch wordt verlaagd. Echter, niet alle toepassingen maken het gebruik van een dergelijk apparaat mogelijk. In het geval afgeschermde spuitmonden niet toegepast kunnen worden als bescherming tegen aerosolen, kan een ademhalingsmasker van klasse FFP 2 of gelijkwaardig noodzakelijk zijn, afhankelijk van de omgeving waarin wordt gereinigd.
25. Voorkom onbedoeld starten. Controleer of de schakelaar in de uitstand staat alvorens de accu aan te brengen, het apparaat op te pakken of te dragen. Door het apparaat te dragen met uw vinger op de schakelaar, of door het apparaat op een voeding aan te sluiten terwijl de schakelaar aan staat, neemt de kans op ongevallen sterk toe.
26. Haal de accu uit het apparaat voordat u afstellingen maakt, hulpstukken vervangt, of het apparaat opbergt. Dergelijke preventieve veiligheidsmaatregelen verkleinen de kans dat het apparaat per ongeluk wordt ingeschakeld.

27. **Probeer niet het apparaat of de accu te wijzigen of te repareren, behalve zoals aangegeven in de instructies voor gebruik en verzorging.**
28. **WAARSCHUWING - Gevaar van insluiting of letsel - Richt de waterstraal niet op personen. Gebruik en verzorging van gereedschap dat op een accu werkt**

1. **Laad alleen op met de acculader aanbevolen door de fabrikant.** Een acculader die geschikt is voor een bepaald type accu, kan brandgevaar opleveren indien gebruikt met een ander type accu.
2. **Gebruik elektrisch gereedschap uitsluitend met de daarvoor bestemde accu.** Gebruik van andere accu's kan gevaar voor letsel of brandgevaar opleveren.
3. **Als de accu niet wordt gebruikt, houdt u deze uit de buurt van metalen voorwerpen, zoals paperclips, muntgeld, sleutels, spijkers, schroeven en andere kleine metalen voorwerpen die een kortsluiting kunnen veroorzaken tussen de accupolen.** Kortsluiting tussen de accupolen kan leiden tot brandwonden of brand.
4. **Onder zware gebruiksomstandigheden kan vloeistof uit de accu komen. Voorkom aanraking!** Als u er per ongeluk mee in aanraking komt, spoelt u het er met water af. **Als de vloeistof in uw ogen komt, raadpleegt u tevens een arts.** Vloeistof uit de accu kan irritatie en brandwonden veroorzaken.
5. **Gebruik geen accu of gereedschap dat beschadigd of gewijzigd is.** Beschadigde of gewijzigde accu's kunnen onvoorspelbaar gedrag vertonen dat kan leiden tot brand, explosie of gevaar van letsel.
6. **Stel een accu of gereedschap niet bloot aan vuur of buitensporige temperaturen.** Blootstelling aan vuur of temperaturen hoger dan 130 °C kunnen een explosie veroorzaken.
7. **Volg alle oplaadinstructies en laad de accu of het gereedschap niet op buiten het temperatuurbereik opgegeven in de instructies.** Verkeerd opladen of bij een temperatuur buiten het opgegeven bereik kan de accu beschadigen en de kans op brand vergroten.

Onderhoud en reparatie

1. **Volg de onderhoudsinstructies die in deze gebruiksaanwijzing worden gegeven.**
2. **Om de veiligheid van het apparaat te waarborgen, gebruikt u uitsluitend reserveonderdelen van de fabrikant of goedgekeurd door de fabrikant.**
3. **Laat uw hogedrukreiniger repareren door een vakbekwame reparateur met gebruikmaking van uitsluitend identieke vervangingsonderdelen. Zo bent u ervan verzekerd dat de veiligheid van de hogedrukreiniger behouden blijft.**
4. **In geval van een defect of storing van de hogedrukreiniger, schakelt u deze onmiddellijk uit en verwijderd u de accu('s). Neem contact op met u uw plaatselijke dealer of servicecentrum.**

Aanvullende veiligheidsvoorschriften

1. **Voldoe aan de vereisten van het lokale waterleidingbedrijf.**
2. **Gebruik het gereedschap niet wanneer de kans op bliksem bestaat.**

3. **Als u het gereedschap op een modderige ondergrond, natte helling of gladde plaats gebruikt, let u erop dat u stevig staat.**
4. **Vermijd werken in een ongunstige omgeving waarin een verhoogde vermoeidheid van de gebruiker kan worden verwacht.**
5. **Vervang de accu niet in de regen.**
6. **Dompel het gereedschap niet onder in een waterplas.**
7. **Laat het gereedschap niet onbeheerd buiten in de regen staan.**
8. **Wanneer natte bladeren of vuil blijft kleven aan de aanzuigmond (ventilatieopening) als gevolg van de regen, verwijdert u deze.**
9. **Was het gereedschap niet met water onder hoge druk.**
10. **Wanneer u het gereedschap wast, zorgt u ervoor dat geen water kan binnendringen in de elektrische delen, zoals de accu, motor en aansluitingen.**
11. **Wanneer u het gereedschap opbergt, vermijdt u direct zonlicht en regen, en bergt u het op een plaats op die niet heet of vochtig wordt.**
12. **Voer inspectie en onderhoud uit op een plaats waar regen kan worden vermeden.**
13. **Nadat u het gereedschap hebt gebruikt, verwijdert u het aanklevende vuil en laat u het gereedschap volledig drogen voordat u hem opbergt.** Afhankelijk van het seizoen of gebied, bestaat de kans op een storing als gevolg van bevriezing.
14. **Laat de aansluitpunten van de accu niet nat worden met een vloeistof, zoals water, en dompel de accu niet onder. Laat de accu niet in de regen liggen en laad of berg de accu niet op een vochtige of natte plaats op.** Als de aansluitpunten nat worden of vloeistof binnendringt in de accu, kan kortsluiting ontstaan in de accu en bestaat de kans op oververhitting, brand of explosie.
15. **Nadat de accu vanaf het gereedschap of de acculader is verwijderd, vergeet u niet het accudeksel op de accu te bevestigen en deze op een droge plaats op te bergen.**
16. **Vervang de accu niet met natte handen.**

Aanvullende veiligheidsvoorschriften

1. **Voldoe aan de vereisten van het lokale waterleidingbedrijf.**
2. **Gebruik geen bekabelde voeding, zoals een accuadapter of draagbare voedingseenheid met dit apparaat.** De kabel van een dergelijke voeding kan het gebruik hinderen waardoor persoonlijk letsel wordt veroorzaakt.

BEWAAR DEZE VOORSCHRIFTEN.

⚠WAARSCHUWING: Laat u NIET misleiden door een vals gevoel van comfort en bekendheid met het gereedschap (na veelvuldig gebruik) en neem alle veiligheidsvoorschriften van het betreffende gereedschap altijd strikt in acht.

VERKEERD GEBRUIK of het niet naleven van de veiligheidsvoorschriften in deze gebruiksaanwijzing kan leiden tot ernstige verwondingen.

Belangrijke veiligheidsinstructies voor een accu

1. Lees alle voorschriften en waarschuwingen op (1) de acculader, (2) de accu, en (3) het product waarvoor de accu wordt gebruikt, alvorens de accu in gebruik te nemen.
2. Neem de accu niet uit elkaar.
3. Als de gebruikstijd van een opgeladen accu aanzienlijk korter is geworden, moet u het gebruik ervan onmiddellijk stopzetten. Voortgezet gebruik kan oververhitting, brandwonden en zelfs een ontploffing veroorzaken.
4. Als elektrolyt in uw ogen is terechtgekomen, spoelt u uw ogen met schoon water en roept u onmiddellijk de hulp van een dokter in. Elektrolyt in de ogen kan blindheid veroorzaken.
5. Voorkom kortsluiting van de accu:
 - (1) Raak de accuclemmen nooit aan met een geleidend materiaal.
 - (2) Bewaar de accu niet in een bak waarin andere metalen voorwerpen zoals spijkers, munten e.d. worden bewaard.
 - (3) Stel de accu niet bloot aan water of regen. Kortsluiting van de accu kan oorzaak zijn van een grote stroomafgifte, oververhitting, brandwonden, en zelfs defecten.
6. Bewaar het gereedschap en de accu niet op plaatsen waar de temperatuur kan oplopen tot 50°C of hoger.
7. Werp de accu nooit in het vuur, ook niet wanneer hij zwaar beschadigd of volledig versleten is. De accu kan ontploffen in het vuur.
8. Wees voorzichtig dat u de accu niet laat vallen en hem niet blootstelt aan schokken of stoten.
9. Gebruik nooit een beschadigde accu.
10. De bijgeleverde lithium-ionbatterijen zijn onderhevig aan de vereisten in de wetgeving omtrent gevaarlijke stoffen.

Voor commercieel transport en dergelijke door derden en transporteurs moeten speciale vereisten ten aanzien van verpakking en etikettering worden nageleefd.

Als voorbereiding van het artikel dat wordt getransporteerd is het noodzakelijk een expert op het gebied van gevaarlijke stoffen te raadplegen. Houd u tevens aan mogelijk strengere nationale regelgeving.

Blootliggende contactpunten moeten worden afgedekt met tape en de accu moet zodanig worden verpakt dat deze niet kan bewegen in de verpakking.
11. Wanneer u de accu wilt weggooien, verwijdert u de accu vanaf het gereedschap en gooit u hem op een veilige manier weg. Volg bij het weggooien van de accu de plaatselijke voorschriften.
12. Gebruik de accu's uitsluitend met de gereedschappen die door Makita zijn aanbevolen. Als de accu's worden aangebracht in niet-compatibele gereedschappen, kan dat leiden tot brand, buitensporige warmteontwikkeling, een explosie of lekkage van elektrolyt.

13. Als u het gereedschap gedurende een lange tijd niet denkt te gaan gebruiken, moet de accu vanaf het gereedschap worden verwijderd.

BEWAAR DEZE INSTRUCTIES.

⚠ LET OP: Gebruik uitsluitend originele Makita accu's. Het gebruik van niet-originele accu's, of accu's die zijn gewijzigd, kan ertoe leiden dat de accu ontploft en brand, persoonlijk letsel en schade veroorzaakt. Ook vervalt daarmee de garantie van Makita op het gereedschap en de lader van Makita.

Tips voor een maximale levensduur van de accu

1. Laad de accu op voordat hij volledig ontladen is. Stop het gebruik van het gereedschap en laad de accu op telkens wanneer u vaststelt dat het vermogen van het gereedschap is afgenomen.
2. Laad een volledig opgeladen accu nooit opnieuw op. Te lang opladen verkort de levensduur van de accu.
3. Laad de accu op bij een omgevingstemperatuur tussen 10°C en 40°C. Laat een warme accu afkoelen alvorens hem op te laden.
4. Laad de accu op als u deze gedurende een lange tijd (meer dan zes maanden) niet gaat gebruiken.

BESCHRIJVING VAN DE FUNCTIES

⚠ LET OP: Zorg altijd dat het gereedschap is uitgeschakeld en de accu ervan is verwijderd alvorens de functies op het gereedschap af te stellen of te controleren.

De accu aanbrengen en verwijderen

⚠ LET OP: Schakel het gereedschap altijd uit voordat u de accu aanbrengt of verwijdert.

⚠ LET OP: Houd het gereedschap en de accu stevig vast tijdens het aanbrengen of verwijderen van de accu. Als u het gereedschap en de accu niet stevig vasthoudt, kunnen deze uit uw handen glippen en het gereedschap of de accu beschadigen, of kan persoonlijk letsel worden veroorzaakt.

Om de accu aan te brengen, drukt u op de vergrendelknop en opent u tegelijkertijd het deksel. Lijn de lip op de accu uit met de groef in de behuizing en duw de accu op zijn plaats. Steek hem er helemaal in tot hij op zijn plaats wordt vergrendeld met een klikgeluid. Als u het rode deel aan de bovenkant van de knop kunt zien, is de accu niet goed aangebracht.

Na het aanbrengen of verwijderen van de accu's, vergeet u niet het deksel te sluiten.

► Fig.1: 1. Deksel 2. Vergrendelknop

Om de accu's te verwijderen drukt u de knop aan de voorkant van de accu en trekt u tegelijkertijd de accu omhoog.

► Fig.2: 1. Rood deel 2. Knop 3. Accu

⚠ LET OP: Breng de accu altijd helemaal aan totdat het rode deel niet meer zichtbaar is. Als u dit niet doet, kan de accu per ongeluk uit het gereedschap vallen en u of anderen in uw omgeving verwonden.

⚠ LET OP: Breng de accu niet met kracht aan. Als de accu niet gemakkelijk in het gereedschap kan worden geschoven, wordt deze niet goed aangebracht.

⚠ LET OP: Vergeet niet het deksel te vergrendelen voordat u het apparaat gebruikt.

Gereedschap-/accubeveiligingssysteem

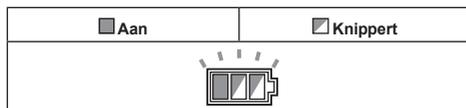
Het gereedschap is voorzien van een gereedschap-/accubeveiligingssysteem. Dit systeem schakelt automatisch de voeding naar de motor uit om de levensduur van het gereedschap en de accu te verlengen. Het gereedschap kan tijdens het gebruik automatisch stoppen als het gereedschap of de accu aan één van de volgende omstandigheden wordt blootgesteld:

Overbelastingsbeveiliging

Als de accu wordt gebruikt op een manier die ertoe leidt dat een abnormaal hoge stroomsterkte wordt getrokken, stopt het gereedschap automatisch zonder enige aanduiding. In dat geval schakelt u het gereedschap uit en stopt u met het gebruik dat er toe leidde dat het gereedschap overbelast raakte. Schakel vervolgens het gereedschap in om weer te starten.

Oververhittingsbeveiliging

Wanneer het gereedschap oververhit is, stopt het gereedschap automatisch en knippert de accu-indicator. Laat in die situatie het gereedschap afkoelen voordat u het gereedschap weer inschakelt.



Beveiliging tegen te ver ontladen

Als de acculading onvoldoende is, stopt het gereedschap automatisch. In dit het geval verwijdert u de accu vanaf het gereedschap en laadt u de accu op.

De resterende acculading controleren

Alleen voor accu's met indicatorlampjes

► Fig.3: 1. Indicatorlampjes 2. Testknop

Druk op de testknop op de accu om de resterende acculading te zien. De indicatorlampjes branden gedurende enkele seconden.

Indicatorlampjes			Resterende acculading
 Brandt	 Uit	 Knippert	
			75% tot 100%
			50% tot 75%
			25% tot 50%
			0% tot 25%
			Laad de accu op.
			Er kan een storing zijn opgetreden in de accu.
			

OPMERKING: Afhankelijk van de gebruiksomstandigheden en de omgevingstemperatuur, is het mogelijk dat de aangegeven acculading verschilt van de werkelijke acculading.

De resterende acculading controleren

KENNISGEVING: De accu-indicator brandt niet wanneer de aan-uitschakelaar in de uit-stand staat. Om de resterende acculading te controleren, zet u de aan-uitschakelaar in de hoge- of lagedrukfunctie.

Druk op de testknop om de resterende acculadingen te zien. De accu-indicatorlampjes geven per accu de resterende acculading aan.

► Fig.4: 1. Accu-indicatorlampje 2. Testknop

Toestand van accu-indicator			Resterende acculading
 Aan	 Uit	 Knippert	
			50% tot 100%
			20% tot 50%
			0% tot 20%
			Laad de accu op.

Aan-uitschakelaar

KENNISGEVING: Draai de aan-uitschakelaar niet met grote kracht. Hierdoor kan de schakelaar defect raken.

Draai de aan-uitschakelaar rechtsom of linksom afhankelijk van het gewenste drukniveau. Draai de aan-uitschakelaar rechtsom voor de hogedrukfunctie en linksom voor de lagedrukfunctie.

► **Fig.5:** 1. Lagedrukfunctie 2. Uit-stand
3. Hogedrukfunctie

OPMERKING: De accu-indicators gaan enkele seconden branden wanneer de aan-uitschakelaar in de hoge of lagedrukfunctie wordt gezet.

Spuitlansfuncties

OPMERKING: De standaard spuitlansen verschillen afhankelijk van het land. Raadpleeg ook de paragraaf "OPTIONELE ACCESSOIRES" voor andere spuitlansen.

Spuitlans

Afhankelijk van het land

► **Fig.6**

De breedte van de hogedrukstraal kan worden afgesteld tussen 0° en 25° door de kop van de spuitlans te draaien.

▲LET OP: Draai, bij het afstellen van de breedte van de hogedrukstraal, niet de hele spuitlans terwijl u hem tegelijkertijd in de richting van het spuitpistool trekt. Hierdoor kan de spuitlans los raken van het spuitpistool en persoonlijk letsel veroorzaken.

Vuilvrees

Afhankelijk van het land

► **Fig.7**

Een roterende straal wordt gespoten. Geschikt voor het verwijderen van hardnekkig vuil.

KENNISGEVING: Gebruik de vuilvrees niet op kwetsbare oppervlakken zoals ruiten en de carrosserie van voertuigen.

Bediening van de trekker

Krijp de trekker in om een waterstraal te spuiten. De straal wordt continu gespoten zo lang de trekker ingeknepen wordt gehouden.

De trekker kan worden vergrendeld voor veilig hanteren van het spuitpistool. Om de trekker te vergrendelen, trekt u de stopper eruit en haakt u deze in de groef van het handvat.

► **Fig.8:** 1. Trekker 2. Stopper 3. Groef

KENNISGEVING: Om een mechanische fout in de drukschakelaar te voorkomen, houdt u altijd een pauze van twee seconden alvorens de trekker opnieuw in te knijpen.

Veiligheidsventiel

Dit apparaat is uitgerust met een veiligheidsventiel die ongewenste overdruk voorkomt. Wanneer de trekker wordt losgelaten, gaat het ventiel open en circuleert het water door de inlaat van de pomp.

▲LET OP: Probeer niet het veiligheidsventiel te manipuleren, en verander de instelling ervan niet.

Water aanvoeren vanuit een tank of reservoir

U kunt water aanvoeren vanuit een tank of reservoir in plaats van vanuit een kraan.

Vervang de waterslangaansluiting door de zuigslangset. Om de zuigslangset aan te sluiten, koppelt u het filterhuis los van de slang en bevestigt u het filterhuis aan de inlaat van de hogedrukreiniger. Sluit vervolgens de slang aan op het filterhuis.

OPMERKING: Om de slang aan te sluiten of los te koppelen van het filterhuis, draait u de huls terwijl u de slang vasthoudt zodat de slang niet meedraait met de ring.

► **Fig.9:** 1. Tank/reservoir 2. Zuigslangset
3. Waterslangaansluiting 4. Slang
5. Filterhuis 6. Inlaat van de hogedrukreiniger
7. Slangklem 8. Ring

▲LET OP: Let erop dat bij het bevestigen van de ring aan het filterhuis u uw hand niet bezeerd aan de slangklem.

KENNISGEVING: Gebruik altijd een zuigslangset van Makita.

KENNISGEVING: Zorg ervoor dat de inlaat van de hogedrukreiniger 1 m (3,28 ft) of minder lager staat dan het wateroppervlak in de tank of het reservoir. Anders zal de hogedrukreiniger niet in staat zijn het water aan te zuigen naar de pomp.

Om water in de slang te brengen, verwijdert u de spuitlans vanaf het spuitpistool en schakelt u de hogedrukreiniger in terwijl u de trekker ingeknepen houdt. Nadat een continue stroom water uit het spuitpistool komt, laat u de trekker los en brengt u de gewenste spuitlans aan.

► **Fig.10:** 1. Spuitpistool

OPMERKING: Als er geen water uit stroomt, koppelt u de zuigslangset los en dompelt u deze helemaal onder water. Sluit hem daarna weer aan op de hogedrukreiniger.

► **Fig.11:** 1. Zuigslangset

Bij gebruik van de bak als een watertank

U kunt de bak die bij de hogedrukreiniger werd geleverd (afhankelijk van het land), gebruiken als een watertank.

1. Maak de bak leeg en vul hem met water.

► **Fig.12:** 1. Maximaal waterniveau

KENNISGEVING: Vul het water niet bij tot boven het maximaal waterniveau.

KENNISGEVING: Het deksel van de bak is niet waterdicht. Wees daarom voorzichtig het water in de bak niet te morsen bij het verplaatsen.

2. Maak het filterhuis los van de slang van de zuigslangset.

► **Fig.13:** 1. Slang 2. Filterhuis

3. Verwijder de dop vanaf de voedingswaterinlaat en steek de zuigslangset door de inlaat, zoals afgebeeld.
► **Fig.14:** 1. Dop 2. Dophouder 3. Voedingswaterinlaat 4. Zuigslangset

OPMERKING: De dop op de voedingswaterinlaat kan op de dophouder worden bevestigd.

4. Verwijder de waterslangaansluiting vanaf de inlaat op de hogedrukreiniger. Sluit daarna het filterhuis aan op de inlaat en tenslotte de slang op het filterhuis.

► **Fig.15:** 1. Inlaat van de hogedrukreiniger
2. Filterhuis 3. Waterslangaansluiting
4. Slang

5. Plaats de hogedrukreiniger op de bak zodat hij wordt bevestigd in de bevestigingspunten op het deksel van de bak.

► **Fig.16:** 1. Hogedrukreiniger 2. Deksel
3. Ontluchtingsgat

KENNISGEVING: Hanteer de bak voorzichtig wanneer u hem draagt. Wanneer u de bak draagt met daarin de hogedrukreiniger en accessoires of water, kan een ongeval of persoonlijk letsel ontstaan als gevolg van het eigengewicht.

KENNISGEVING: Als u de bak verplaatst, mag u hem niet schudden, omkeren of buitensporig schuin houden. Als u dit toch doet, kan dat ertoe leiden dat:

- het water erin wordt gemorst;
- de hogedrukreiniger op het deksel van de bak af valt, of
- de wielen van de bak niet kunnen draaien.

KENNISGEVING: Wanneer u de bak aan het handvat draagt, kan water eruit worden gemorst als er veel water in zit.

KENNISGEVING: Er kan water uit het ontluchttingsgat komen als het waterniveau binnenin de bak tot aan het ontluchttingsgat komt doordat de bak wordt gekanteld.

KENNISGEVING: Ga niet op de bak staan. Het deksel kan barsten.

KENNISGEVING: Laat de bak vol met water niet lange tijd staan. Als u dat doet, kan de bak beschadigd worden en waterlekage ontstaan.

Volg na gebruik de onderstaande procedure:

1. Verwijder de dop vanaf het aftappunt en tap het water af.

► **Fig.17:** 1. Aftappunt

2. Veeg het vocht binnenin de bak op met een doek en laat de bak volledig drogen.

KENNISGEVING: Berg de hogedrukreiniger en de accessoires niet op terwijl de binnenkant van de bak nat is. Achtergebleven vocht kan leiden tot een storing en roesten.

MONTAGE

⚠ LET OP: Zorg altijd dat het gereedschap is uitgeschakeld en de accu ervan is verwijderd alvorens enig werk aan het gereedschap uit te voeren.

De hogedrukslang aansluiten

Sluit de hogedrukslang aan op de uitlaat (met de pistool-markering). Draai de moer van de hogedrukslang rechtsom om hem op de schroefdraad van de uitlaat te draaien.

► **Fig.18:** 1. Uitlaat 2. Moer

⚠ LET OP: Verzeker u ervan dat de hogedrukslang stevig aangesloten is. Bij een losse aansluiting kan de hogedrukslang eraf geperst worden waardoor persoonlijk letsel kan ontstaan.

Het spuitpistool bevestigen

Sluit de hogedrukslang aan op de inlaat van het spuitpistool. Draai de moer van de hogedrukslang rechtsom om hem op de schroefdraad van de inlaat te draaien.

► **Fig.19:** 1. Inlaat 2. Moer

⚠ LET OP: Verzeker u ervan dat de hogedrukslang stevig aangesloten is. Bij een losse aansluiting kan de hogedrukslang eraf geperst worden waardoor persoonlijk letsel kan ontstaan.

Aansluiten op een kraan

⚠ LET OP: Gebruik altijd een drukbestendige waterslang met een diameter van 13 mm of meer en sluit deze met behulp van geschikte bevestigingen aan op de kraan. Als u dit niet doet, kan de waterslang en/of de bevestigingen kapot gaan en tot persoonlijk letsel leiden.

KENNISGEVING: Gebruik een zo kort mogelijke drukbestendige waterslang. De stroomsnelheid van het aanvoerwater moet hoger zijn dan de maximale aanvoersnelheid van de pomp.

KENNISGEVING: Als u aansluit op het drinkwaterleidingnet, gebruikt u een terugstroomkeerklep die voldoet aan de regelgeving in uw land.

Bereid een drukbestendige waterslang voor. Bevestig het koppelstuk aan een uiteinde en sluit het andere uiteinde aan op de kraan zoals hieronder beschreven.

1. Verwijder de moer vanaf het koppelstuk en steek de drukbestendige waterslang door de moer. Steek het uiteinde van de slang in het koppelstuk en draai vervolgens de moer erop.

► **Fig.20:** 1. Drukbestendige waterslang 2. Moer van koppelstuk 3. Koppelstuk

OPMERKING: Als u de drukbestendige waterslang wilt aansluiten op de kraan met behulp van een koppelstuk, bereidt u een ander koppelstuk voor en bevestigt u het aan het andere uiteinde van de slang.

2. Sluit de drukbestendige waterslang aan op de kraan. Gebruik een geschikte bevestiging, zoals een slangklem of kraanaansluiting, om het uiteinde van de slang te bevestigen aan de kraan.

- **Fig.21:** 1. Slangklem 2. Kraanaansluiting
3. Drukbestendige waterslang

OPMERKING: De bevestigingsmethode is afhankelijk van de vorm van de kraan waaraan de slang wordt bevestigd. Bereid een geschikte, in de winkel verkrijgbare, bevestiging voor.

3. Bevestig de waterslangaansluiting op de inlaat (met de kraan-markering) en sluit vervolgens het koppelstuk erop aan.

- **Fig.22:** 1. Koppelstuk 2. Waterslangaansluiting
3. Inlaat van de hogedrukreiniger

De spuitlans aanbrengen/ verwijderen

⚠ALLET OP: Vergrendel altijd de trekker van het spuitpistool wanneer u de spuitlans aanbrengt/verwijdert.

Steek het uiteinde van de spuitlans in de opening van het spuitpistool en draai hem in de richting van de pijl aangegeven in de afbeelding. Om de spuitlans eraf te halen, drukt u hem in de richting van het spuitpistool en draait u hem in de tegenovergestelde richting.

- **Fig.23:** 1. Spuitpistool 2. Opening 3. Uiteinde van spuitlans

De schuimsproeier aanbrengen

Optioneel accessoire

⚠ALLET OP: Vergrendel altijd de trekker van het spuitpistool wanneer u de spuitlans aanbrengt/verwijdert.

Bereid het reinigingsmiddel voor voordat u de schuimsproeier gebruikt.

1. Verwijder de schuimsproeier vanaf de tank door de schuimsproeier linksom te draaien. Bevestig de schuimsproeier aan het spuitpistool.

- **Fig.24:** 1. Schuimsproeier 2. Spuitpistool

2. Giet het reinigingsmiddel in de tank en bevestig deze aan de schuimsproeier.

- **Fig.25:** 1. Tank

KENNISGEVING: Gebruik altijd een neutraal reinigingsmiddel. Een zuur of basisch reinigingsmiddel kan de tank of schuimsproeier beschadigen.

De kunststof draagkoffer op de bak bevestigen

Optioneel accessoire

U kunt de Makita-draagkoffer bovenop de bak bevestigen. Plaats de kunststof draagkoffer op de bak zodat hij wordt vergrendeld in de bevestigingspunten op het deksel van de bak.

- **Fig.26:** 1. Kunststof draagkoffer
2. Bevestigingspunt

De bak op de trolley bevestigen

Optioneel accessoire

Wanneer u de bak verplaatst met behulp van een Makita-trolley, zet u de bak op zijn plaats. Verzeker u ervan dat de onderkant van de bak past op het plateau van de trolley.

- **Fig.27:** 1. Onderkant van de bak 2. Plateau van de trolley

⚠ALLET OP: Als u de trolley gebruikt, mag de bak niet gevuld zijn met water. Als u dit doet, kunt u het evenwicht verliezen waardoor persoonlijk letsel kan ontstaan, of kan de bak vervormd worden waardoor deze lek kan raken.

BEDIENING

⚠WAARSCHUWING: Raak de hogedrukstraal niet aan en richt deze niet op uzelf of anderen. De hogedrukstraal is gevaarlijk en kan u of anderen pijn doen.

⚠WAARSCHUWING: Houd nooit het voorwerp dat u wilt reinigen vast in uw handen terwijl u de hogedrukstraal erop richt, en houd uw handen en voeten uit de buurt van de hogedrukstraal.

⚠ALLET OP: Wees bedacht op de terugslag van de hogedrukstraal en op weggespoten voorwerpen. Houd de spuitlans niet dicht bij het voorwerp dan 30 cm.

⚠ALLET OP: Schakel de hogedrukreiniger niet in zonder aanvoer van water gedurende langer dan 1 minuut.

⚠ALLET OP: Gebruik de hogedrukreiniger niet gedurende een lange tijd achter elkaar. Hierdoor kan oververhitting of brand ontstaan. Bovendien kan langdurig gebruik leiden tot letsel door trillingen.

⚠ALLET OP: Let op de windrichting. Als het reinigingsmiddel in uw ogen of mond terecht komt, spoelt u deze onmiddellijk uit met schoon water en raadpleegt u zo nodig een arts.

KENNISGEVING: Vermijd gebruik van de hogedrukreiniger gedurende langer dan 1 uur. Na gebruik gedurende 1 uur, wacht u dezelfde tijdsduur voordat u het apparaat weer gebruikt.

KENNISGEVING: Om het mechanisme van de hogedrukreiniger te beschermen, mag u geen water warmer dan 40 °C gebruiken.

1. Sluit één uiteinde van de hogedrukslang aan op het spuitpistool en het andere uiteinde op de hogedrukreiniger.

2. Sluit de hogedrukreiniger met behulp van een waterslang aan op de kraan. Open daarna de kraan.

- **Fig.28**

3. Open het deksel en breng de accu's aan in de hogedrukreiniger en vergrendel daarna het deksel.

► **Fig.29:** 1. Accu 2. Deksel

4. Draai de aan-uitschakelaar naar de gewenste functie.

► **Fig.30:** 1. Lagedrukfunctie 2. Uit-stand
3. Hogedrukfunctie

5. Om een hogedrukstraal te spuiten, ontgrendel u de stopper en knijpt u de trekker in. De straal wordt continu gespoten zo lang de trekker ingeknepen wordt gehouden.

► **Fig.31:** 1. Stopper

⚠ALLET OP: Houd het spuitpistool stevig vast.

Het spuitpistool krijgt een terugslag zodra u de trekker inknijpt.

⚠ALLET OP: Houd tijdens het spuiten van de hogedrukstraal het spuitpistool altijd vast aan de handgreep en aan de loop.

KENNISGEVING: Wees voorzichtig dat u tijdens gebruik niet met kracht aan het spuitpistool trekt. Hierdoor kan de hogedrukreiniger omvallen.

Wanneer u het werk onderbreekt, kunt u het spuitpistool tijdelijk opbergen zoals aangegeven in de afbeelding.

► **Fig.32**

Na gebruik

⚠ALLET OP: Voer na gebruik van de hogedrukreiniger altijd de procedure uit die in deze gebruiksaanwijzing wordt beschreven. Restdruk in het spuitpistool of de hogedrukreiniger kan leiden tot persoonlijk letsel of beschadiging van de pomp.

1. Schakel de hogedrukreiniger uit.

2. Draai de kraan dicht en koppel de aanvoerwaterslang los van de hogedrukreiniger.

► **Fig.33**

3. Schakel de hogedrukreiniger weer in.

4. Knijp de trekker in tot het achtergebleven water in de hogedrukreiniger eruit is gespoten.

► **Fig.34**

KENNISGEVING: Laat de motor niet langer dan 1 minuut draaien.

5. Schakel de hogedrukreiniger uit en verwijder de accu's.

► **Fig.35:** 1. Aan-uitschakelaar 2. Accu

6. Koppel de hogedrukslang los van het spuitpistool en de hogedrukreiniger.

► **Fig.36:** 1. Spuitpistool 2. Hogedrukslang
3. Hogedrukreiniger

KENNISGEVING: Om te voorkomen dat de hogedrukslang beschadigd raakt, laat u het achtergebleven water uit de slang lopen voordat u deze opbergt.

ONDERHOUD EN OPSLAG

⚠ALLET OP: Zorg er altijd voor dat het gereedschap is uitgeschakeld en de accu is verwijderd voordat u een inspectie of onderhoud uitvoert.

KENNISGEVING: Gebruik nooit benzine, wasbenzine, thinner, alcohol en dergelijke. Hierdoor kunnen verkleuring, vervormingen en barsten worden veroorzaakt.

Om de VEILIGHEID en BETROUWBAARHEID van het gereedschap te handhaven, dienen alle reparaties, onderhoud of afstellingen te worden uitgevoerd bij een erkend Makita-servicecentrum of de Makita-fabriek, en altijd met gebruik van Makita-vervangingsonderdelen.

De spuitlans reinigen

Gebruik de reinigingsprikker om vuil te verwijderen of een verstopping op te heffen in de spuitmond van de spuitlans.

► **Fig.37:** 1. Reinigingsprikker

KENNISGEVING: Verwijder vuil of afval niet met grote kracht. Hierdoor kan persoonlijk letsel ontstaan of de spuitmond worden beschadigd waardoor de hogedrukstraal onder een afwijkende hoek wordt gespoten of de prestaties verslechteren.

Het filter reinigen

Koppel de waterslangaansluiting los en verwijder vuil en afval vanuit de binnenkant van het filter.

► **Fig.38:** 1. Waterslangaansluiting 2. Filter
3. Afdichtingsring

Bij gebruik van de zuigslangset (optioneel accessoire), haalt u het filter uit het filterhuis en verwijdert u vuil en afval.

► **Fig.39:** 1. Filter 2. Filterhuis

OPMERKING: Om optimale prestaties te behouden, reinigt u het filter regelmatig.

Opslag

⚠ALLET OP: Bewaar het apparaat altijd binnenshuis waar de temperatuur niet onder het nulpunt komt. Als de hogedrukreiniger bevroest en een storing vertoont, neemt u contact op met uw plaatselijke servicecentrum voor reparatie.

Berg de accessoires op in het zijvak van de hogedrukreiniger.

Voorbeeld van opbergen

► **Fig.40:** 1. Hogedrukslang 2. Spuitlans 3. Spuitpistool

Als uw model werd geleverd met de bak, bergt u de hogedrukreiniger en accessoires erin op.

Voorbeeld van opbergen

► **Fig.41:** 1. Hogedrukreiniger 2. Spuitlans
3. Spuitpistool 4. Wasborstel
5. Schuimsproeier 6. Hogedrukslang 7. Lader
8. Zuigslangset 9. Drukbestendige waterslang

OPMERKING: Sommige accessoires die in de afbeelding staan, worden in sommige landen geleverd als optionele accessoires.

PROBLEMEN OPLOSSEN

Alvorens u verzoekt om reparatie, kunt u zelf als volgt het probleem opsporen en oplossen. Als u met een probleem kampt dat in deze handleiding niet wordt beschreven, probeer dan niet het gereedschap te demonteren. Laat reparaties over aan een erkend Makita-servicecentrum, uitsluitend met gebruik van originele Makita-vervangingsonderdelen.

Probleemomschrijving	Waarschijnlijke oorzaak (storing)	Oplossing
Hogedrukreiniger start niet.	Geen elektriciteit	Breng opgeladen accu's aan.
	Schakelaar staat niet aan.	Zet de schakelaar in de aan-stand.
	Restdruk aanwezig in de pomp	Krijp de trekker in.
	Accu of elektrische circuit is beschadigd	Neem contact op met een erkend servicecentrum voor reparatie.
Geen/zwakke waterstraal	Geen aanvoerwater.	Zorg ervoor dat de kraan open staat. Bij gebruik van de zuigslangset, zorgt u ervoor dat de slang volstaat met water.
	Slecht aanvoer van water	Draai de kraan open.
	Slechte waterslangaansluiting	Controleer de aansluiting tussen de hogedrukreiniger en de waterkraan.
	Verstopt(e) slang, filter of spuitmond	Ontstop de slang, het filter of de spuitmond.
	Lucht blokkeert de stroming van water.	Zet de schakelaar in de uit-stand en zet hem daarna weer in de aan-stand terwijl u de trekker ingeknepen houdt.
	Beschadigde of versleten spuitlans	Vervang de spuitlans.
	Pomp of ventiel defect	Neem contact op met een erkend servicecentrum voor reparatie.
Instabiele hogedrukstraal	Verstopte spuitmond	Ontstop de spuitmond van de spuitlans met behulp van de reinigingsprikker.
	Slechte aanzuiging van water	Controleer de waterslang, beginnende bij de kraan, op lekkage of verstoppingen. Draai de kraan open.
	Water is te heet.	Voer kouder water aan.
	Defect ventiel	Neem contact op met een erkend servicecentrum voor reparatie.
Abnormaal geluid	Water is te heet.	Voer kouder water aan.
	Luchtbellen in de pomp.	Neem contact op met een erkend servicecentrum voor reparatie.
Waterlekkage	Slechte aansluiting.	Controleer de aansluiting tussen de hogedrukreiniger en het spuitpistool alsmede de waterkraan.
	Versleten afdichtingen	Neem contact op met een erkend servicecentrum voor reparatie.

OPTIONELE ACCESSOIRES

⚠ LET OP: Deze accessoires of hulpstukken worden aanbevolen voor gebruik met het Makita gereedschap dat in deze gebruiksaanwijzing is beschreven. Bij gebruik van andere accessoires of hulpstukken bestaat het gevaar van persoonlijke letsel. Gebruik de accessoires of hulpstukken uitsluitend voor hun bestemde doel.

Wenst u meer bijzonderheden over deze accessoires, neem dan contact op met het plaatselijke Makita-servicecentrum.

OPMERKING: Sommige items op de lijst kunnen zijn inbegrepen in de doos van het gereedschap als standaard toebehoren. Deze kunnen van land tot land verschillen.

Vario-Power-spuitlans

► Fig.42

De druk van de straal kan worden veranderd door de kop van de spuitlans te draaien.

⚠ LET OP: Wanneer u de druk van de straal verandert door de kop van de spuitlans te draaien, mag u de spuitlans niet tegelijkertijd in de richting van het spuitpistool trekken. Hierdoor kan de spuitlans los raken van het spuitpistool en persoonlijk letsel veroorzaken.

Schuimsproeier

Afhankelijk van het land

► Fig.43

Reinigingsmiddel kan als een schuim worden gespoten.

Wasborstel (lang)

► Fig.44

Een lans uitgerust met een borstel. Dit is handig bij het gelijk-tijdig schrobben met de borstel en het afspoelen van vuil.

Zuigslangset

► Fig.45

Vervang de waterslang door deze set om water aan te voeren vanuit een tank of reservoir.

Roterende wasborstel

► Fig.46

Tijdens het spuiten van de hogedrukstraal roteren de drie borstels langzaam binnenin. Geschikt voor het reinigen van licht vuil op een buitenmuur, carrosserie van een voertuig, badkuip, enz.

Verlengstuk voor de spuitlans

► Fig.47

Pijpstukken voor het verlengen van het spuitpistool. Drie verschillende lengten zijn mogelijk door het aantal gebruikte pijpstukken te variëren.

Spuitlans voor een voertuigbodem

► Fig.48

Een extra lange spuitlans met een haakse spuitmond. Handig bij het reinigen van moeilijk bereikbare plaatsen, zoals een voertuigbodem of dakgoot.

⚠ LET OP: Gebruik de spuitlans voor een voertuigbodem niet tezamen met het verlengstuk voor de spuitlans.

Spatbescherming

► Fig.49

Vermindert het opspatten bij het reinigen van hoeken met de vuilfrees.

Draaikoppeling

► Fig.50

Voorkomt dat de hogedrukstraal ineens gedraaid raakt.

Koppelingadapter

► Fig.51

Een adapter die nodig is om een spuitlans van een ander model te kunnen gebruiken.

Voor sommige optionele spuitlansen is een koppelingadapter (optioneel accessoire) nodig voor bevestiging aan het spuitpistool. Bevestig de koppelingadapter op dezelfde manier aan het spuitpistool als de spuitlans.

► Fig.52: 1. Spuitlans 2. Koppelingadapter 3. Spuitpistool

OPMERKING: De koppelingadapter is nodig bij gebruik van de spuitlansen die worden geleverd bij een ander model, HW112 of HW121.

Pijpreinigingsset (10 m/15 m)

► Fig.53

Voor het reinigen en ontstoppen van afvoerpijpen en standpijpen.

⚠ LET OP: Let met name goed op de hogedrukstraal bij gebruik van de pijpreinigingsset. De waterstraal wordt met zeer hoge druk achterwaarts gespoten. Zorg ervoor dat de slangkop in de pijp is gestoken voordat u de trekker inknijpt.

Hogedrukverlengslang (5 m/8 m/10 m)

► Fig.54

Verlengslang voor het aansluiten van het spuitpistool op de hogedrukreiniger.

ADVERTENCIA

- Las máquinas no deberán ser utilizadas por niños. Los niños deberán ser supervisados para asegurarse de que no juegan con la máquina.
- Esta máquina no ha sido prevista para ser utilizada por personas (incluidos niños) con capacidades físicas, sensoriales o mentales reducidas, o sin experiencia y conocimiento.
- Esta máquina ha sido diseñada para ser utilizada con el agente de limpieza suministrado o recomendado por el fabricante. La utilización de otros agentes de limpieza o productos químicos podrá afectar adversamente a la seguridad de la máquina.
- Los chorros de alta presión pueden ser peligrosos si son sometidos a un mal uso. El chorro no deberá ser dirigido hacia personas, equipos eléctricos conectados a la corriente o hacia la propia máquina.
- No utilice la máquina dentro del alcance de personas a menos que estas lleven puestas ropas de protección.
- No dirija el chorro contra usted mismo u otras personas con objeto de limpiar las ropas o el calzado.
- Riesgo de explosión - No rocíe líquidos inflamables.
- Los limpiadores de alta presión no deberán ser utilizados por niños o personal no cualificado.
- Las mangueras de alta presión, los aditamentos y acopladores son importantes para la seguridad de la máquina. Utilice solamente mangueras, aditamentos y acopladores recomendados por el fabricante.
- Para garantizar la seguridad de la máquina, utilice solamente piezas de repuesto originales del fabricante u homologadas por el fabricante.
- Asegúrese siempre de que la herramienta está apagada y los cartuchos de batería han sido retirados antes de realizar cualquier trabajo en la herramienta.
- No utilice la máquina si partes importantes de la máquina están dañadas, por ejemplo, dispositivos de seguridad, mangueras de alta presión, pistola de gatillo.

- Retire siempre los cartuchos de batería cuando deje la máquina sin atender.
- Cumpla con los requisitos de la compañía de suministro de agua local.
- Para países europeos:
De acuerdo con la normativa EN12729 (BA), el aparato también se puede conectar a la red de distribución de agua potable si a la manguera de suministro se conecta una válvula bloqueadora de reflujo con facilidad de drenaje.

ESPECIFICACIONES

Modelo:	DHW080	
Volumen de alimentación máximo ^{*1}	6,3 L/min	
Caudal de agua ^{*2}	Modo alto	5,5 L/min
	Modo bajo	4,0 L/min
Presión máxima permisible	8,0 MPa	
Presión de trabajo ^{*2}	Modo alto	5,5 MPa
	Modo bajo	3,0 MPa
Presión de alimentación máxima	1,0 MPa	
Temperatura de alimentación máxima	40°C	
Altura de succión máxima	1 m	
Tensión nominal	CC 36 V	
Dimensiones (La x An x Al)	438 mm x 218 mm x 269 mm	
Peso	7,1 - 7,7 kg	

*1: Cuando utilice el cepillo de limpieza.

*2: Cuando utilice la lanza de pulverización.

- Debido a nuestro continuado programa de investigación y desarrollo, las especificaciones aquí dadas están sujetas a cambios sin previo aviso.
- Las especificaciones pueden ser diferentes de país a país.
- El peso puede variar dependiendo del accesorio(s), incluyendo el cartucho de batería. La combinación menos pesada y la más pesada, de acuerdo con el procedimiento EPTA 01/2014, se muestran en la tabla.

Cartucho de batería y cargador aplicables

Cartucho de batería	BL1815N / BL1820 / BL1820B / BL1830 / BL1830B / BL1840 / BL1840B / BL1850 / BL1850B / BL1860B
Cargador	DC18RC / DC18RD / DC18RE / DC18SD / DC18SE / DC18SF / DC18SH

- Algunos de los cartuchos de batería y cargadores indicados arriba puede que no estén disponibles dependiendo de su región de residencia.

⚠ ADVERTENCIA: Utilice solamente los cartuchos de batería y cargadores listados arriba. La utilización de cualquier otro cartucho de batería y cargador puede ocasionar heridas y/o un incendio.

Símbolos

A continuación se muestran los símbolos utilizados con este equipo. Asegúrese de que entiende su significado antes de usarlo.



Lea el manual de instrucciones.



Preste cuidado y atención especiales.



Sólo para países de la Unión Europea
¡No deseche los aparatos eléctricos o baterías junto con los residuos domésticos! De conformidad con las Directivas Europeas, sobre residuos de aparatos eléctricos y electrónicos y baterías y acumuladores y residuos de baterías y acumuladores y su aplicación de acuerdo con la legislación nacional, los aparatos eléctricos y pilas y baterías cuya vida útil haya llegado a su fin deberán ser recogidos por separado y trasladados a una planta de reciclaje que cumpla con las exigencias ecológicas.



No conecte a un grifo de agua potable.



No dirija el chorro hacia personas, incluyéndose a usted, animales, y equipos eléctricos conectados a la corriente.

Uso previsto

Esta herramienta ha sido prevista para limpiar suciedad resistente utilizando un chorro de agua. Esta herramienta ha sido prevista para ser utilizada en el hogar.

Ruido

El nivel de ruido A-ponderado típico determinado de acuerdo con la norma EN60335-2-79:

Nivel de presión sonora (L_{pA}) : 70,9 dB (A)

Error (K) : 3,6 dB (A)

El nivel de ruido en situación de trabajo puede exceder 80 dB (A).

NOTA: El valor (o los valores) de emisión de ruido declarado ha sido medido de acuerdo con un método de prueba estándar y se puede utilizar para comparar una herramienta con otra.

NOTA: El valor (o valores) de emisión de ruido declarado también se puede utilizar en una valoración preliminar de exposición.

⚠ADVERTENCIA: Póngase protectores para oídos.

⚠ADVERTENCIA: La emisión de ruido durante la utilización real de la herramienta eléctrica puede variar del valor (o los valores) de emisión declarado dependiendo de las formas en las que la herramienta sea utilizada, especialmente qué tipo de pieza de trabajo se procesa.

⚠ADVERTENCIA: Asegúrese de identificar medidas de seguridad para proteger al operario que estén basadas en una estimación de la exposición en las condiciones reales de utilización (teniendo en cuenta todas las partes del ciclo operativo como las veces cuando la herramienta está apagada y cuando está funcionando en vacío además del tiempo de gatillo).

Vibración

El valor total de la vibración (suma de vectores triaxiales) determinado de acuerdo con la norma EN60335-2-79:

Emisión de vibración (a_n) : 2,5 m/s² o menos

Error (K) : 1,5 m/s²

NOTA: El valor (o los valores) total de emisión de vibración declarado ha sido medido de acuerdo con un método de prueba estándar y se puede utilizar para comparar una herramienta con otra.

NOTA: El valor (o los valores) total de emisión de vibración declarado también se puede utilizar en una valoración preliminar de exposición.

⚠ADVERTENCIA: La emisión de vibración durante la utilización real de la herramienta eléctrica puede variar del valor (o los valores) de emisión declarado dependiendo de las formas en las que la herramienta sea utilizada, especialmente qué tipo de pieza de trabajo se procesa.

⚠ADVERTENCIA: Asegúrese de identificar medidas de seguridad para proteger al operario que estén basadas en una estimación de la exposición en las condiciones reales de utilización (teniendo en cuenta todas las partes del ciclo operativo como las veces cuando la herramienta está apagada y cuando está funcionando en vacío además del tiempo de gatillo).

Declaración CE de conformidad

Para países europeos solamente

La declaración CE de conformidad está incluida como Anexo A de esta manual de instrucciones.

ADVERTENCIAS DE SEGURIDAD IMPORTANTES

⚠ADVERTENCIA: Lea todas las advertencias de seguridad y todas las instrucciones. Si no sigue las advertencias e instrucciones podrá resultar en una descarga eléctrica, un incendio y/o heridas graves.

Guarde todas las advertencias e instrucciones para futuras referencias.

ADVERTENCIA - Cuando utilice este producto, deberá observar siempre unas precauciones básicas, incluyendo lo siguiente:

Seguridad en el área de trabajo

1. Mantenga el área de operación despejada de todas las personas.
2. No trabaje donde no alcance o se ponga sobre soportes inestables. Mantenga los pies sobre suelo firme y el equilibrio en todo momento.
3. Ponga siempre el cuerpo de la hidrolavadora de alta presión sobre una superficie nivelada y estable. Evite las áreas donde el agua eyectada fluya o se empoce.
4. Antes de limpiar, compruebe los alrededores y los objetos que va a limpiar. Los chorros a alta presión pueden levantar la pintura u otros tratamientos de la superficie incluidos productos químicos tóxicos. Tome medidas preventivas si es necesario.

5. Tenga cuidado de no tropezar con la manguera de la hidrolavadora de alta presión. Sea siempre consciente de la configuración de la manguera durante la operación.
 6. Durante la utilización, una pequeña cantidad de agua saldrá por la parte inferior de la hidrolavadora de alta presión. Evite colocar la hidrolavadora de alta presión en las áreas donde no quiera mojar.
- Seguridad personal**
1. Para protegerse contra el chorro y objetos lanzados por el chorro, los operarios deberán ponerse ropa apropiada tal como botas de seguridad, guantes de seguridad, cascos de seguridad con visor, protección para los oídos, etc.
 2. No utilice la hidrolavadora de alta presión dentro del alcance de personas a menos que estas lleven puestas ropas de protección.
 3. Para reducir el riesgo de heridas, será necesaria una supervisión estrecha cuando el producto sea utilizado cerca de niños.
 4. Si la conexión se hace a un sistema de agua potable, el sistema deberá ser protegido contra el reflujo.
 5. El agua que ha fluído a través del bloqueador de reflujo está considerada como no potable.
- Seguridad eléctrica**
1. No toque nunca los cartuchos de batería con las manos mojadas.
 2. No utilice la máquina si las partes importantes de la máquina están dañadas, por ejemplo, dispositivos de seguridad, mangueras de alta presión, o la pistola de gatillo.
- Utilización y cuidado de la herramienta eléctrica**
1. Lea todas las instrucciones antes de utilizar el producto.
 2. Sepa cómo detener la hidrolavadora de alta presión y purgar las presiones rápidamente. Familiarícese completamente con los controles.
 3. Los chorros de alta presión pueden ser peligrosos si se usan mal. El chorro no deberá ser dirigido hacia gente, equipos eléctricos conectados a la corriente, o hacia la propia máquina.
 4. Esta máquina no ha sido prevista para ser utilizada por personas (incluidos niños) con capacidades físicas, sensoriales o mentales reducidas, o sin experiencia y conocimiento.
 5. Los niños pequeños deberán ser supervisados para asegurarse de que no juegan con el aparato.
 6. No rocíe líquidos inflamables y/o tóxicos. Esto podrá ocasionar una explosión, intoxicación, o daño a la máquina.
 7. No dirija el chorro contra usted mismo u otras personas con objeto de limpiar las ropas o el calzado.
 8. Las mangueras de alta presión, los aditamentos y acopladores son importantes para la seguridad de la máquina. Utilice solamente mangueras, aditamentos y acopladores recomendados por el fabricante.
 9. Siga las instrucciones cuando cambie accesorios.
 10. Mantenga los mangos secos, limpios, y libres de aceite o grasa.
 11. Esté alerta - observe lo que está haciendo.
 12. No opere el producto cuando esté fatigado o bajo la influencia de alcohol o drogas.
 13. No haga funcionar la hidrolavadora de alta presión sin agua durante más de un minuto. Ello dañará el motor, resultando en un mal funcionamiento.
 14. Desconecte siempre la alimentación y cierre la red de distribución de agua cuando deje la hidrolavadora de alta presión desatendida.
 15. Sea consciente del retroceso brusco. La pistola de gatillo recula cuando el chorro de alta presión es eyectado por la boquilla. Sujete la pistola de gatillo firmemente para evitar heridas accidentales.
 16. Compruebe por si hay partes dañadas o desgastadas antes de la utilización. Asegúrese también de que la manguera está conectada debidamente y que no hay fugas durante la operación. La operación de la máquina con defectos de funcionamiento puede ocasionar un accidente.
 17. Esta máquina ha sido diseñada para ser utilizada con el agente de limpieza suministrado o recomendado por el fabricante. La utilización de otros agentes de limpieza o productos químicos podrá afectar adversamente a la seguridad de la máquina.
 18. No tire de la manguera para mover el cuerpo de la hidrolavadora de alta presión. Esto dañará la manguera y las partes de conexión y resultará en un cortocircuito o defectos de funcionamiento.
 19. No ponga objetos pesados encima de la manguera o deje que vehículos pasen sobre ella.
 20. Descargue siempre la presión residual en la pistola de gatillo antes de desconectar la manguera.
 21. Cuando conecte la manguera a la red de distribución de agua, observe las instrucciones del departamento o compañía de abastecimiento de agua local.
 22. Si la hidrolavadora de alta presión se cae o golpea contra un objeto duro, asegúrese de comprobar por si hay daños y grietas. La utilización de la hidrolavadora de alta presión dañada puede generar humo, un incendio, u ocasionar una descarga eléctrica, lo cual puede resultar en heridas personales.
 23. Durante la utilización de limpiadores de alta presión, es posible que se formen aerosoles. La inhalación de aerosoles puede ser peligrosa para su salud.
 24. Dependiendo de la aplicación, se podrán utilizar boquillas apantalladas para limpieza a alta presión, las cuales reducirán considerablemente la emisión de aerosoles considerables. Sin embargo, no todas las aplicaciones permiten la utilización de tal dispositivo. Si las boquillas apantalladas no son aplicables para la protección contra aerosoles, puede que sea necesario utilizar una máscara respiratoria de clase FFP 2 o equivalente, dependiendo del entorno de la limpieza.

25. Evite los arranques involuntarios. Asegúrese de que el interruptor está en la posición desactivada antes de conectar a la batería, y recoger o transportar el aparato. Transportar el aparato con el dedo en el interruptor o suministrar energía al aparato teniendo el interruptor activado es una invitación a accidentes.
26. Desconecte la batería del aparato antes de hacer cualquier ajuste, cambiar accesorios o almacenar el aparato. Tales medidas preventivas de seguridad reducirán el riesgo de que el aparato pueda ser puesto en marcha accidentalmente.
27. No modifique o intente reparar el aparato o la batería excepto como se indica en las instrucciones para la utilización y cuidado.
28. **ADVERTENCIA - Riesgo de inyección o heridas - No dirigir el chorro de descarga hacia personas.**

Utilización y cuidado de la herramienta a batería

1. **Cargue la batería solamente con el cargador especificado por el fabricante.** Un cargador que es apropiado para un tipo de batería puede crear un riesgo de incendio cuando se utiliza con otra batería.
2. **Utilice las herramientas eléctricas solamente con las baterías designadas específicamente para ellas.** La utilización de cualquier otra batería puede crear un riesgo de heridas o incendio.
3. **Cuando la batería no esté siendo utilizada, guárdela alejada de otros objetos metálicos, como sujetapapeles, monedas, llaves, clavos, tornillos u otros objetos metálicos pequeños, que puedan hacer conexión entre un terminal y el otro.** Si se cortocircuitan entre sí los terminales de la batería podrán producirse quemaduras o un incendio.
4. **En condiciones abusivas, es posible que salga expulsado líquido de la batería; evite el contacto con él. Si se produce un contacto accidental, enjuague con agua. Si el líquido entra en los ojos, además de enjuagarlos, solicite asistencia médica.** El líquido expulsado de la batería puede ocasionar irritación y quemaduras.
5. **No utilice una batería o herramienta que esté dañada o modificada.** Las baterías dañadas o modificadas pueden comportarse de forma impredecible resultando en un incendio, explosión o riesgo de heridas.
6. **No exponga una batería o herramienta al fuego o a temperatura excesiva.** La exposición al fuego o a una temperatura superior a los 130 °C puede ocasionar una explosión.
7. **Siga todas las instrucciones de carga y no cargue la batería o la herramienta fuera del rango de temperatura especificado en las instrucciones.** Cargar incorrectamente o a temperaturas fuera del rango especificado puede dañar la batería y aumentar el riesgo de incendio.

Servicio

1. **Siga las instrucciones de mantenimiento especificadas en el manual.**
2. **Para garantizar la seguridad de la máquina, utilice solamente piezas de repuesto originales del fabricante u homologadas por el fabricante.**

3. **Haga que la hidrolavadora de alta presión sea servida por un reparador técnico cualificado utilizando solamente piezas de repuesto idénticas.** Esto garantizará que se mantendrá la seguridad de la hidrolavadora de alta presión.
4. **En caso de rotura o mal funcionamiento de la hidrolavadora de alta presión, apáguela inmediatamente y retire el cartucho (o los cartuchos) de batería. Póngase en contacto con el distribuidor o centro de servicio local.**

Advertencias de seguridad adicionales

1. **Cumpla con los requisitos de la compañía de suministro de agua local.**
2. **No utilice la herramienta cuando haya riesgo de relámpagos.**
3. **Cuando utilice la herramienta en suelo enlodado, pendiente mojada, o lugar resbaladizo, preste atención a donde pisa.**
4. **Evite trabajar en un entorno poco adecuado donde se espere que la fatiga del usuario aumente.**
5. **No reemplace la batería en la lluvia.**
6. **No sumerja la herramienta en un charco.**
7. **No deje la herramienta sin atender en exteriores en la lluvia.**
8. **Cuando se adhieran hojas mojadas o suciedad a la boca de succión (ventanilla de ventilación) debido a la lluvia, retírelas.**
9. **No lave la herramienta con agua a mucha presión.**
10. **Cuando lave la herramienta, no deje que entre agua en el mecanismo eléctrico como la batería, el motor, y los terminales.**
11. **Cuando almacene la herramienta, evite la luz solar directa y la lluvia, y almacénela en un lugar donde no se caliente o humedezca.**
12. **Realice la inspección o el mantenimiento en un lugar donde se pueda evitar la lluvia.**
13. **Después de utilizar la herramienta, retire la suciedad adherida y seque la herramienta completamente antes de almacenarla.** Dependiendo de la estación del año o el área, existe el riesgo de un mal funcionamiento debido a la congelación.
14. **No moje el terminal de la batería con líquido como agua, ni sumerja la batería. No deje la batería en la lluvia, ni cargue, utilice, o almacene la batería en un lugar húmedo o mojado.** Si el terminal se moja o si entra líquido al interior de la batería, la batería podrá cortocircuitarse y existe el riesgo de recalentamiento, incendio, o explosión.
15. **Después de retirar la batería de la herramienta o el cargador, asegúrese de colocar la tapa de la batería en la batería y de guardarla en un lugar seco.**
16. **No reemplace la batería con las manos mojadas.**

Advertencias de seguridad adicionales

1. **Cumpla con los requisitos de la compañía de suministro de agua local.**

2. No utilice un suministro de alimentación con cable como un adaptador de batería o unidad portátil de alimentación eléctrica con este aparato. El cable de tal suministro de alimentación puede dificultar la operación y resultar en heridas personales.

GUARDE ESTAS INSTRUCCIONES.

⚠ADVERTENCIA: NO deje que la comodidad o familiaridad con el producto (a base de utilizarlo repetidamente) sustituya la estricta observancia de las normas de seguridad para el producto en cuestión.

El MAL USO o el no seguir las normas de seguridad establecidas en este manual de instrucciones podrá ocasionar graves heridas personales.

Instrucciones de seguridad importantes para el cartucho de batería

1. Antes de utilizar el cartucho de batería, lea todas las instrucciones e indicaciones de precaución sobre (1) el cargador de baterías, (2) la batería, y (3) el producto con el que se utiliza la batería.
2. No desarme el cartucho de batería.
3. Si el tiempo de uso se acorta demasiado, cese la operación inmediatamente. Podría resultar en un riesgo de recalentamiento, posibles quemaduras e incluso una explosión.
4. Si entra electrolito en sus ojos, aclárelos con agua limpia y acuda a un médico inmediatamente. Existe el riesgo de poder perder la vista.
5. No cortocircuite el cartucho de batería:
 - (1) No toque los terminales con ningún material conductor.
 - (2) Evite guardar el cartucho de batería en un cajón junto con otros objetos metálicos, como clavos, monedas, etc.
 - (3) No exponga el cartucho de batería al agua ni a la lluvia.Un cortocircuito en la batería puede producir una gran circulación de corriente, un recalentamiento, posibles quemaduras e incluso una rotura de la misma.
6. No guarde la herramienta y el cartucho de batería en lugares donde la temperatura pueda alcanzar o exceder los 50 °C.
7. Nunca incinere el cartucho de batería incluso en el caso de que esté dañado seriamente o ya no sirva en absoluto. El cartucho de batería puede explotar si se tira al fuego.
8. Tenga cuidado de no dejar caer ni golpear el cartucho de batería.
9. No utilice una batería dañada.

10. Las baterías de litio-ion contenidas están sujetas a los requisitos de la Legislación para Materiales Peligrosos.

Para transportes comerciales, p.ej., por terceras personas y agentes de transportes, se deberán observar requisitos especiales para el empaquetado y etiquetado.

Para la preparación del artículo que se va a enviar, se requiere consultar con un experto en materiales peligrosos. Por favor, observe también la posibilidad de reglamentos nacionales más detallados.

Cubra con cinta aislante o enmascare los contactos expuestos y empaquete la batería de tal manera que no se pueda mover alrededor dentro del embalaje.

11. Para desechar el cartucho de batería, retírelo de la herramienta y deséchelo en un lugar seguro. Siga los reglamentos locales referentes al desecho de la batería.
12. Utilice las baterías solamente con los productos especificados por Makita. La instalación de las baterías en productos no compatibles puede resultar en un incendio, calor excesivo, explosión, o fuga de electrolito.
13. Si la herramienta no va a ser utilizada durante un periodo de tiempo largo, la batería deberá ser retirada de la herramienta.

GUARDE ESTAS INSTRUCCIONES.

⚠PRECAUCIÓN: Utilice solamente baterías genuinas de Makita. La utilización de baterías no genuinas de Makita, o baterías que han sido alteradas, puede resultar en una explosión de la batería ocasionando incendios, heridas personales y daños. También anulará la garantía de Makita para la herramienta y el cargador de Makita.

Consejos para alargar al máximo la vida de servicio de la batería

1. Cargue el cartucho de batería antes de que se descargue completamente. Detenga siempre la operación y cargue el cartucho de batería cuando note menos potencia en la herramienta.
2. No cargue nunca un cartucho de batería que esté completamente cargado. La sobrecarga acortará la vida de servicio de la batería.
3. Cargue el cartucho de batería a temperatura ambiente de 10 °C - 40 °C. Si un cartucho de batería está caliente, déjelo enfriar antes de cargarlo.
4. Cargue el cartucho de batería si no lo utiliza durante un periodo de tiempo prolongado (más de seis meses).

DESCRIPCIÓN DEL FUNCIONAMIENTO

⚠️ PRECAUCIÓN: Asegúrese siempre de que la herramienta esté apagada y el cartucho de batería retirado antes de realizar cualquier ajuste o comprobación en la herramienta.

Instalación o extracción del cartucho de batería

⚠️ PRECAUCIÓN: Apague siempre la herramienta antes de instalar o retirar el cartucho de batería.

⚠️ PRECAUCIÓN: Sujete la herramienta y el cartucho de batería firmemente cuando instale o retire el cartucho de batería. Si no sujeta la herramienta y el cartucho de batería firmemente podrán caérsele de las manos y resultar en daños a la herramienta y al cartucho de batería y heridas personales.

Para instalar el cartucho de batería, abra la cubierta mientras presiona la palanca de bloqueo. Alinee la lengüeta del cartucho de batería con la acanaladura en el alojamiento y deslicelo al interior hasta encajarlo en su sitio. Insértelo a fondo hasta que se bloquee en su sitio con un leve chasquido. Si puede ver el indicador rojo en la parte superior del botón, no estará bloqueado completamente. Después de instalar o desmontar los cartuchos de batería, asegúrese de cerrar la cubierta.

► **Fig.1:** 1. Cubierta 2. Palanca de bloqueo

Para retirar los cartuchos de batería, levante el cartucho de batería mientras presiona el botón de la parte frontal del cartucho.

► **Fig.2:** 1. Indicador rojo 2. Botón 3. Cartucho de batería

⚠️ PRECAUCIÓN: Instale siempre el cartucho de batería completamente hasta que no pueda verse el indicador rojo. En caso contrario, podrá caerse accidentalmente de la herramienta y ocasionarle heridas a usted o a alguien que esté cerca de usted.

⚠️ PRECAUCIÓN: No instale el cartucho de batería empleando fuerza. Si el cartucho no se desliza al interior fácilmente, será porque no está siendo insertado correctamente.

⚠️ PRECAUCIÓN: Asegúrese de bloquear la cubierta antes de la operación.

Sistema de protección de la herramienta / batería

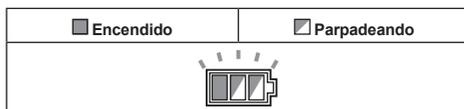
La herramienta está equipada con un sistema de protección de la herramienta/batería. Este sistema corta automáticamente la alimentación al motor para alargar la vida de servicio de la herramienta y la batería. La herramienta se detendrá automáticamente durante la operación si la herramienta o la batería es puesta en una de las condiciones siguientes:

Protección contra sobrecarga

Cuando la batería sea operada de manera que le haga extraer una corriente anormalmente alta, la herramienta se detendrá automáticamente sin ninguna indicación. En esta situación, apague la herramienta y detenga la aplicación que ocasiona la sobrecarga de la herramienta. Después encienda la herramienta para volver a empezar.

Protección contra el recalentamiento

Cuando la herramienta se recalienta, se detiene automáticamente, y el indicador de batería parpadea. En esta situación, deje que la herramienta se enfríe antes de encender la herramienta otra vez.



Protección contra descarga excesiva

Cuando la capacidad de batería no es suficiente, la herramienta se detiene automáticamente. En este caso, retire la batería de la herramienta y cargue la batería.

Modo de indicar la capacidad de batería restante

Solamente para cartuchos de batería con el indicador

► **Fig.3:** 1. Lámparas indicadoras 2. Botón de comprobación

Presione el botón de comprobación en el cartucho de batería para indicar la capacidad de batería restante. Las lámparas indicadoras se iluminan durante unos pocos segundos.

Lámparas indicadoras			Capacidad restante
Iluminada	Apagada	Parpadeando	
■	□	◐	75% a 100%
■	■	□	50% a 75%
■	■	□	25% a 50%
■	□	□	0% a 25%
◐	□	□	Cargue la batería.
■	■	□	Puede que la batería no esté funcionando bien.
□	□	■	

NOTA: Dependiendo de las condiciones de utilización y de la temperatura ambiente, la indicación podrá variar ligeramente de la capacidad real.

Modo de indicar la capacidad de batería restante

AVISO: El indicador de batería no se ilumina cuando el interruptor de alimentación está en la posición **DESACTIVADA**. Para comprobar la capacidad de batería restante, gire el interruptor de alimentación al modo de alta o baja presión.

Presione el botón de comprobación para indicar las capacidades de batería restantes. Los indicadores de batería corresponden a cada batería.

► **Fig.4:** 1. Indicador de batería 2. Botón de comprobación

Estado del indicador de batería			Capacidad de batería restante
Encendido	Apagado	Parpadeando	
			
			50% a 100%
			20% a 50%
			0% a 20%
			Cargue la batería

Interruptor de alimentación

AVISO: No gire el interruptor de alimentación con fuerza. Esto podrá ocasionar un mal funcionamiento del interruptor.

Gire el interruptor de alimentación hacia la derecha o hacia la izquierda dependiendo del nivel de presión. Gire el interruptor de alimentación hacia la derecha para modo de alta presión, y hacia la izquierda para modo de baja presión.

► **Fig.5:** 1. Modo de baja presión 2. Posición DESACTIVADA 3. Modo de alta presión

NOTA: Los indicadores de batería se iluminarán durante unos pocos segundos cuando gire el interruptor de alimentación al modo de alta o baja presión.

Funciones de la boquilla

NOTA: Las boquillas estándar varían dependiendo del país. Consulte también la sección ACCESORIOS OPCIONALES para otras boquillas.

Lanza de pulverización

Específico para cada país

► **Fig.6**

La anchura del chorro se puede ajustar desde 0° a 25° girando el extremo delantero de la boquilla.

PRECAUCIÓN: Cuando ajuste la anchura del chorro, no gire la boquilla mientras tira de ella hacia la pistola de gatillo. La boquilla podrá salirse de la pistola de gatillo y ocasionar heridas personales.

Desincrustador de suciedad

Específico para cada país

► **Fig.7**

Se eyecta un chorro en espiral. Apropiado para retirar suciedad resistente.

AVISO: No utilice el desincrustador de suciedad para limpiar superficies frágiles tales como ventanas o carrocerías de automóvil.

Funciones del gatillo

Apretie el gatillo para eyectar un chorro de agua. El chorro continuará siempre y cuando se tenga apretado el gatillo. El gatillo se puede bloquear para un manejo seguro de la pistola de gatillo. Para bloquear el gatillo, extraiga el retenedor y engánchelo en la acanaladura de la empuñadura.

► **Fig.8:** 1. Gatillo 2. Retenedor 3. Acanaladura

AVISO: Para evitar un error mecánico en el cambio de presión, deje siempre un intervalo de dos segundos entre las operaciones del gatillo.

Válvula de seguridad

Este aparato está equipado con una válvula de seguridad que impide una sobrepresión excesiva. Cuando se libera el gatillo, la válvula se abre y el agua vuelve a circular a través de la entrada de la bomba.

PRECAUCIÓN: No manipule o regule el ajuste de la válvula de seguridad.

Suministro de agua desde un tanque/depósito

Puede suministrar agua desde un tanque o depósito en lugar de un grifo.

Reemplace el conector de la manguera de agua con el juego de manguera de succión. Cuando conecte el juego de manguera de succión, desconecte la caja del filtro de la manguera y coloque la caja del filtro en la entrada de la hidrolavadora de alta presión. Después, conecte la manguera a la caja del filtro.

NOTA: Cuando retire/conecte la manguera de la caja del filtro o la coloque en ella, gire el manguito mientras sujeta la manguera de forma que la manguera no gire con el manguito.

► **Fig.9:** 1. Tanque/depósito 2. Juego de manguera de succión 3. Conector de la manguera de agua 4. Manguera 5. Caja del filtro 6. Entrada de la hidrolavadora de alta presión 7. Abrazadera para manguera 8. Manguito

PRECAUCIÓN: Cuando coloque el manguito en la caja del filtro, tenga cuidado de no herirse la mano con la abrazadera para manguera.

AVISO: Utilice siempre un juego de manguera de succión de Makita.

AVISO: Mantenga siempre 1 m (3,28 ft) o menos de altura entre la entrada de la hidrolavadora de alta presión y la superficie del agua. De lo contrario, la hidrolavadora de alta presión no podrá subir el agua al interior de la bomba.

Para introducir agua en la manguera, retire la boquilla de la pistola de gatillo y encienda la hidrolavadora de alta presión mientras está apretado el gatillo. Una vez que el agua se eyecta establemente por la pistola de gatillo, libere el gatillo y coloque la boquilla para el propósito que quiera.

► **Fig.10:** 1. Pistola de gatillo

NOTA: Cuando el agua no se eyecta, retire el juego de manguera de succión y remójelo en agua. Después vuelva a conectarlo a la hidrolavadora de alta presión.

► **Fig.11:** 1. Juego de manguera de succión

Quando utilice el recipiente como tanque de agua

Puede utilizar el recipiente suministrado con la hidrolavadora de alta presión (específico para cada país) como tanque de agua.

1. Vacíe el recipiente y eche agua en él.

► **Fig.12:** 1. Línea de nivel máximo de agua

AVISO: No eche agua por encima de la línea de nivel máximo de agua.

AVISO: La tapa del recipiente no es de tipo de sellado hermético. Tenga cuidado de no derramar el agua del recipiente al transportar.

2. Desconecte la caja del filtro de la manguera del juego de manguera de succión.

► **Fig.13:** 1. Manguera 2. Caja del filtro

3. Retire el tapón de la entrada de agua de alimentación y pase el juego de manguera de succión a través de la entrada como se muestra en la ilustración.

► **Fig.14:** 1. Tapón 2. Portatapón 3. Entrada de agua de alimentación 4. Juego de manguera de succión

NOTA: El tapón de la entrada de agua de alimentación se puede apoyar sobre el portatapón.

4. Retire el conector de la manguera de agua de la entrada de la hidrolavadora de alta presión. Después de eso, conecte la caja del filtro en la entrada y después la manguera en la caja del filtro.

► **Fig.15:** 1. Entrada de la hidrolavadora de alta presión 2. Caja del filtro 3. Conector de la manguera de agua 4. Manguera

5. Ponga la hidrolavadora de alta presión encima del recipiente de forma que quede sujeta con las monturas de la tapa del recipiente.

► **Fig.16:** 1. Hidrolavadora de alta presión 2. Tapa 3. Respiradero

AVISO: Preste atención al manejo del recipiente cuando lo transporte. Transportar el recipiente con la hidrolavadora de alta presión y accesorios o agua dentro puede ocasionar un accidente o heridas personales debido a su propio peso.

AVISO: Cuando transporte el recipiente, no lo agite, vuelque, ni lo ladee excesivamente. Si lo hace podrá ocasionar que;

- el agua dentro se derrame;
- la hidrolavadora de alta presión encima de la tapa se caiga del recipiente o;
- el giro de las ruedas del recipiente se entorpezca.

AVISO: Cuando transporte el recipiente agarrándolo por el asa, el agua podrá derramarse si hay mucha agua dentro.

AVISO: Puede salir a agua por el respiradero si el agua dentro llega hasta el respiradero al inclinar el recipiente.

AVISO: No se suba encima del recipiente. La tapa se podrá romper.

AVISO: No deje el recipiente lleno de agua durante largo tiempo. Si lo hace podrá ocasionar que el recipiente se dañe y resultar en fuga de agua.

Después de la utilización, siga el procedimiento de abajo:

1. Retire el tapón del desagüe y vacíe el agua.

► **Fig.17:** 1. Desagüe

2. Elimine la humedad de dentro del recipiente utilizando un paño y después seque el recipiente completamente.

AVISO: No almacene la hidrolavadora de alta presión y los accesorios mientras el interior del recipiente esté mojado. La humedad restante puede ocasionar un mal funcionamiento y oxidación.

MONTAJE

PRECAUCIÓN: Asegúrese siempre de que la herramienta está apagada y el cartucho de batería retirado antes de realizar cualquier trabajo en la herramienta.

Conexión de la manguera de alta presión

Conecte la manguera de alta presión a la salida (con marca de pistola). Gire la tuerca en la manguera de alta presión hacia la derecha mientras la enrosca en la rosca de la salida.

► **Fig.18:** 1. Salida 2. Tuerca

PRECAUCIÓN: Asegúrese de que la manguera de alta presión está conectada firmemente. Una conexión floja puede hacer que se suelte la manguera de alta presión, resultando en heridas personales.

Colocación de la pistola de gatillo

Conecte la manguera de alta presión a la entrada de la pistola de gatillo. Gire la tuerca en la manguera de alta presión hacia la derecha mientras la enrosca en la rosca de la entrada.

► **Fig.19:** 1. Entrada 2. Tuerca

PRECAUCIÓN: Asegúrese de que la manguera de alta presión está conectada firmemente. Una conexión floja puede hacer que se suelte la manguera de alta presión, resultando en heridas personales.

Conexión a un grifo

PRECAUCIÓN: Utilice siempre una manguera de agua resistente a la presión con \varnothing 13 mm o diámetro más grande y conéctela al grifo utilizando un aditamento apropiado. De lo contrario, la manguera de agua y/o el aditamento podrán romperse y ocasionar heridas personales.

AVISO: Utilice una manguera de agua resistente a la presión lo más corta posible. La cantidad de agua de entrada deberá ser mayor que el volumen de alimentación máximo de la bomba.

AVISO: Si conecta a la red de distribución de agua potable, utilice una válvula bloqueadora de reflujo que cumpla con los reglamentos de su región.

Prepare una manguera de agua resistente a la presión. Coloque el manguito de acoplamiento a un extremo y conecte el otro extremo al grifo de la forma siguiente.

1. Retire la tuerca del manguito de acoplamiento y pase la manguera de agua resistente a la presión a través de la tuerca. Inserte el extremo de la manguera en el manguito de acoplamiento y después apriete la tuerca.

► **Fig.20:** 1. Manguera de agua resistente a la presión
2. Tuerca del manguito de acoplamiento
3. Manguito de acoplamiento

NOTA: Si quiere conectar la manguera de agua resistente a la presión al grifo utilizando un manguito de acoplamiento, prepare otro manguito de acoplamiento y colóquelo en el otro extremo de la manguera.

2. Conecte la manguera de agua resistente a la presión al grifo. Coloque un aditamento apropiado tal como una abrazadera para manguera o acoplador de toma de agua para sujetar el extremo de la manguera con el grifo.

► **Fig.21:** 1. Abrazadera para manguera 2. Acoplador de toma de agua 3. Manguera de agua resistente a la presión

NOTA: El aditamento dependerá de la forma del grifo al que conecte. Prepare un aditamento apropiado de venta en el comercio.

3. Coloque el conector de la manguera de agua a la entrada (con la marca de grifo) y después inserte el manguito de acoplamiento.

► **Fig.22:** 1. Manguito de acoplamiento 2. Conector de la manguera de agua 3. Entrada de la hidrolavadora de alta presión

Conexión/desconexión de la boquilla

PRECAUCIÓN: Bloquee siempre el gatillo de la pistola de gatillo cuando conecte/desconecte la boquilla.

Inserte el extremo de la boquilla en la ranura de la pistola de gatillo y gírela en la dirección de la flecha como se muestra en la figura. Para desconectar la boquilla, gire la boquilla en la dirección inversa mientras la presión hacia la pistola de gatillo.

► **Fig.23:** 1. Pistola de gatillo 2. Ranura 3. Extremo de la boquilla

Conexión de la boquilla de espuma

Accesorios opcionales

PRECAUCIÓN: Bloquee siempre el gatillo de la pistola de gatillo cuando conecte/desconecte la boquilla.

Prepare un detergente antes de utilizar la boquilla de espuma.

1. Retire la boquilla del tanque girándola hacia la izquierda. Coloque la boquilla en la pistola de gatillo.

► **Fig.24:** 1. Boquilla 2. Pistola de gatillo

2. Vierta el detergente en el tanque e instálelo en la boquilla.

► **Fig.25:** 1. Tanque

AVISO: Utilice siempre detergente neutro.

Detergente ácido o alcalino puede dañar el tanque y la boquilla.

Colocación del maletín de transporte de plástico encima del recipiente

Accesorios opcionales

Puede colocar el maletín de transporte de plástico de Makita encima del recipiente. Ponga el maletín de transporte de plástico encima del recipiente de forma que quede sujetado con las monturas de la tapa del recipiente.

► **Fig.26:** 1. Maletín de transporte de plástico
2. Montura

Colocación del recipiente encima del carrito

Accesorios opcionales

Cuando transporte el recipiente con el carrito Makita, coloque el recipiente en posición. Asegúrese de que la parte inferior del recipiente encaja en la plataforma del carrito.

► **Fig.27:** 1. Superficie inferior del recipiente
2. Plataforma del carrito

PRECAUCIÓN: Cuando utilice el carrito, no transporte el recipiente lleno de agua. Si lo hace, podrá perder el equilibrio y resultar en heridas personales u ocasionar la deformación del recipiente, lo cual dará lugar a fugas de agua.

OPERACIÓN

⚠ADVERTENCIA: No toque el chorro de agua o lo dirija hacia usted u otras personas. El chorro de agua es peligroso y puede herirle a usted u otras personas.

⚠ADVERTENCIA: Cuando dispare el chorro de agua, no sujete nunca el objeto que está limpiando o coloque las manos y piernas cerca del chorro de agua.

⚠PRECAUCIÓN: Esté alerta al rebote del chorro de agua y objetos que salen volando. No acerque la boquilla al objeto más cerca de 30 cm.

⚠PRECAUCIÓN: No haga funcionar la hidrolavadora de alta presión sin agua durante más de 1 minuto.

⚠PRECAUCIÓN: No opere la hidrolavadora de alta presión durante largos periodos de tiempo. Esto puede ocasionar recalentamiento o un incendio. Además, la utilización durante largo tiempo puede ocasionar trastornos de vibración.

⚠PRECAUCIÓN: Sea consciente de la dirección del aire. Si el detergente entra en sus ojos o la boca, aclare con agua corriente inmediatamente y solicite atención médica si es necesario.

AVISO: Evite utilizar la hidrolavadora de alta presión durante más de 1 hora. Después de utilizar durante 1 hora, deje una intermisión del mismo tiempo.

AVISO: Para proteger el mecanismo de la hidrolavadora de alta presión, no utilice agua más caliente de 40°C.

1. Conecte un extremo de la manguera de alta presión a la pistola de gatillo y el otro extremo a la hidrolavadora de alta presión.

2. Conecte la hidrolavadora de alta presión al grifo utilizando una manguera de agua. Después de eso, abra el grifo.

▶ Fig.28

3. Abra la cubierta e instale los cartuchos de batería en la hidrolavadora de alta presión y después bloquee la cubierta.

▶ Fig.29: 1. Cartucho de batería 2. Cubierta

4. Gire el interruptor de alimentación al modo que desee.

▶ Fig.30: 1. Modo de baja presión 2. Posición DESACTIVADA 3. Modo de alta presión

5. Para eyectar un chorro de agua, desbloquee el retenedor y apriete el gatillo. El chorro continuará siempre y cuando se tenga apretado el gatillo.

▶ Fig.31: 1. Retenedor

⚠PRECAUCIÓN: Sujete la pistola de gatillo firmemente. La pistola de gatillo recula cuando usted aprieta el gatillo.

⚠PRECAUCIÓN: Sujete siempre la pistola de gatillo por la empuñadura y el barril cuando eyecte el chorro de agua.

AVISO: Tenga cuidado de no tirar de la pistola de gatillo con fuerza durante la operación. Esto podrá ocasionar que la hidrolavadora de alta presión se vuelque.

Cuando suspenda la operación, puede colocar temporalmente la pistola de gatillo como se muestra en la figura.

▶ Fig.32

Después de la utilización

⚠PRECAUCIÓN: Después de utilizar la hidrolavadora de alta presión, realice siempre el procedimiento descrito en este manual. La presión residual en la pistola de gatillo o hidrolavadora de alta presión puede ocasionar heridas personales o dañar la bomba interior.

1. Apague la hidrolavadora de alta presión.

2. Cierre el grifo y desconecte la manguera de agua de la hidrolavadora de alta presión.

▶ Fig.33

3. Encienda la hidrolavadora de alta presión otra vez.

4. Apriete el gatillo hasta que el agua restante en la hidrolavadora de alta presión se haya descargado.

▶ Fig.34

AVISO: No haga funcionar el motor durante más de 1 minuto.

5. Apague la hidrolavadora de alta presión y retire los cartuchos de batería.

▶ Fig.35: 1. Interruptor de alimentación 2. Cartucho de batería

6. Desconecte la manguera de alta presión de la pistola de gatillo y de la hidrolavadora de alta presión.

▶ Fig.36: 1. Pistola de gatillo 2. Manguera de alta presión 3. Hidrolavadora de alta presión

AVISO: Para evitar que la manguera de alta presión se dañe, retire el agua restante en la manguera antes de almacenar.

MANTENIMIENTO Y ALMACENAMIENTO

⚠PRECAUCIÓN: Asegúrese siempre de que la herramienta está apagada y el cartucho de batería ha sido retirado antes de intentar hacer una inspección o mantenimiento.

AVISO: No utilice nunca gasolina, bencina, disolvente, alcohol o similares. Podría producir descoloración, deformación o grietas.

Para mantener la SEGURIDAD y FIABILIDAD del producto, las reparaciones, y cualquier otra tarea de mantenimiento o ajuste deberán ser realizadas en centros de servicio o de fábrica autorizados por Makita, empleando siempre repuestos Makita.

Limpieza de la boquilla

Utilice una varilla de limpieza para retirar la suciedad o desatascar la boquilla.

► **Fig.37:** 1. Varilla de limpieza

AVISO: No retire la suciedad o los residuos a la fuerza. Esto podrá resultar en heridas personales o daños al agujero de eyección ocasionando ángulos de chorro desviados o mal rendimiento.

Limpieza del filtro

Desprenda el conector de la manguera de agua y retire la suciedad y los residuos del interior del filtro.

► **Fig.38:** 1. Conector de la manguera de agua
2. Filtro 3. Anillo obturador

Cuando utilice el juego de manguera de succión (accesorio opcional), extraiga el filtro de la caja del filtro y retire la suciedad y los residuos.

► **Fig.39:** 1. Filtro 2. Caja del filtro

NOTA: Para mantener el rendimiento óptimo, limpie el filtro periódicamente.

Almacenamiento

PRECAUCIÓN: Almacene siempre en un lugar en interiores donde la temperatura no llegue a bajo cero. Si la hidrolavadora de alta presión se congela y no funciona bien, póngase en contacto con el centro de servicio local para hacer reparaciones.

Almacene los accesorios en el bolsillo lateral de la hidrolavadora de alta presión.

Ejemplo de almacenamiento

► **Fig.40:** 1. Manguera de alta presión 2. Boquilla
3. Pistola de gatillo

Si su modelo ha sido suministrado con el recipiente, almacene la hidrolavadora de alta presión y los accesorios en él.

Ejemplo de almacenamiento

► **Fig.41:** 1. Hidrolavadora de alta presión 2. Boquilla
3. Pistola de gatillo 4. Cepillo de limpieza
5. Boquilla de espuma 6. Manguera de alta presión
7. Cargador 8. Juego de manguera de succión
9. Manguera de agua resistente a la presión

NOTA: Algunos accesorios mostrados en la ilustración se suministran como accesorios opcionales en algunos países.

SOLUCIÓN DE PROBLEMAS

Antes de solicitar reparaciones, realice su propia inspección en primer lugar. Si encuentra un problema que no está explicado en el manual, no intente desmontar la herramienta. En su lugar, pregunte en los centros de servicio autorizados Makita, utilizando siempre piezas de recambio Makita para las reparaciones.

Estado de anomalía	Causa probable (mal funcionamiento)	Remedio
La hidrolavadora no se pone en marcha.	No hay electricidad	Instale cartuchos de batería cargados.
	El interruptor no está activado.	Active el interruptor.
	Presión residual en la bomba	Apriete el gatillo.
	Batería o circuito eléctrico dañado	Póngase en contacto con un centro de servicio autorizado para hacer reparaciones.
No hay chorro de agua / chorro de agua débil	No hay suministro de agua	Asegúrese de que el grifo está abierto. Si está utilizando el juego de manguera de succión, introduzca agua en la manguera.
	Mal suministro de agua	Abra el grifo.
	Mala conexión de la manguera de agua	Compruebe la conexión entre la hidrolavadora de alta presión y el grifo de agua.
	Manguera, filtro, o boquilla atascado	Desatase la manguera, el filtro, o la boquilla.
	Hay aire bloqueando el flujo de agua.	Desactive el interruptor y después actívelo otra vez mientras aprieta el gatillo.
	Boquilla dañada o desgastada	Reemplace la boquilla.
	Mal funcionamiento de la bomba o la válvula	Póngase en contacto con un centro de servicio autorizado para hacer reparaciones.
Chorro de agua inestable	Boquilla atascada	Desatase el agujero de eyección de la boquilla utilizando una varilla de limpieza.
	Mala succión de agua	Compruebe la manguera de agua comenzando por el grifo para ver si hay alguna fuga o atasco. Abra el grifo.
	El agua está muy caliente.	Suministre agua más fría.
	Mal funcionamiento de la válvula	Póngase en contacto con un centro de servicio autorizado para hacer reparaciones.
Sonido anormal	El agua está muy caliente.	Suministre agua más fría.
	Hay aire atrapado en la bomba.	Póngase en contacto con un centro de servicio autorizado para hacer reparaciones.
Fuga de agua	Mala conexión	Compruebe la conexión entre la hidrolavadora de alta presión y la pistola de gatillo y así como el grifo de agua.
	Obturadores desgastados	Póngase en contacto con un centro de servicio autorizado para hacer reparaciones.

ACCESORIOS OPCIONALES

⚠PRECAUCIÓN: Estos accesorios o aditamentos están recomendados para su uso con la herramienta Makita especificada en este manual. El uso de cualquier otro accesorio o aditamento puede suponer un riesgo de heridas personales. Utilice el accesorio o aditamento solamente con la finalidad indicada para el mismo.

Si necesita cualquier ayuda para más detalles en relación con estos accesorios, pregunte al centro de servicio Makita local.

NOTA: Algunos elementos de la lista podrán estar incluidos en el paquete de la herramienta como accesorios estándar. Pueden variar de un país a otro.

Lanza de pulverización Vario-Power

► Fig.42

La presión del chorro se puede ajustar girando la boquilla.

⚠PRECAUCIÓN: Cuando ajuste la presión del chorro, no gire la boquilla mientras tira de ella hacia la pistola de gatillo. La boquilla podrá salirse de la pistola de gatillo y ocasionar heridas personales.

Boquilla de espuma

Específico para cada país

► Fig.43

El detergente se puede rociar como espuma.

Cepillo de limpieza (largo)

► Fig.44

Una boquilla equipada con cepillo. Útil para retirar la suciedad a la vez que se restriega con cepillo.

Juego de manguera de succión

► Fig.45

Reemplace la manguera de agua con este juego para suministrar agua desde el tanque o depósito.

Cepillo de lavar giratorio

► Fig.46

Tres cepillos dentro giran despacio cuando se eyecta el chorro. Útil para limpiar suciedad ligera en una pared exterior, carrocería de automóvil, bañera, etc.

Extensión de lanza

► Fig.47

Tubos para extender la longitud de la pistola de gatillo. Hay disponibles tres longitudes diferentes cambiando el número de tubos que se van a utilizar.

Lanza de pulverización para bajos de chasis

► Fig.48

Una lanza de pulverización extra larga con boquilla en ángulo. Óptima para limpiar áreas difícil de alcanzar tales como los bajos de chasis de automóvil y canales de tejado.

▲PRECAUCIÓN: No utilice la lanza de pulverización para bajos de chasis con la extensión de lanza.

Protector contra salpicaduras

► Fig.49

Reduce el retroceso de salpicaduras cuando se limpian esquinas con el desincrustador de suciedad.

Articulación de rótula

► Fig.50

Evita que la manguera de alta presión se retuerza.

Acoplador de conexión

► Fig.51

Un acoplador para conectar una boquilla de otro modelo.

Algunas boquillas opcionales requieren el acoplador de conexión (accesorio opcional) para colocarlas en la pistola de gatillo. Coloque el acoplador de conexión a la pistola de gatillo de la misma forma que la boquilla.

► Fig.52: 1. Boquilla 2. Acoplador de conexión 3. Pistola de gatillo

NOTA: El acoplador de conexión se necesita cuando se utilizan las boquillas incluidas con otro modelo, HW112 o HW121.

Juego de limpieza de tubos (10 m/15 m)

► Fig.53

Para limpiar y desatascar tuberías y bajantes pluviales.

▲PRECAUCIÓN: Preste atención especial al chorro de agua cuando utilice el juego de limpieza de tubos. Se eyecta hacia atrás un chorro de agua muy intenso. Asegúrese de insertar el cabezal de la manguera en el tubo antes de apretar el gatillo.

Manguera de alta presión de extensión (5 m/8 m/10 m)

► Fig.54

Manguera de extensión para conectar el cuerpo de la hidrolavadora de alta presión a la pistola de gatillo.

AVISO

- As máquinas não devem ser utilizadas por crianças. As crianças devem ser supervisionadas de modo a assegurar que não brincom com a máquina.
- Esta máquina não se destina a ser utilizada por pessoas (incluindo crianças) com capacidades físicas, sensoriais ou mentais reduzidas ou falta de experiência e conhecimentos.
- Esta máquina foi concebida para ser utilizada com o produto de limpeza fornecido ou recomendado pelo fabricante. A utilização de outros produtos de limpeza ou produtos químicos poderá ter efeitos adversos na segurança da máquina.
- Os jatos de alta pressão podem ser perigosos se forem sujeitos a utilização incorreta. O jato não deve ser direcionado para pessoas, equipamento elétrico sob tensão ou para a própria máquina.
- Não utilize a máquina dentro do alcance de pessoas, exceto se estas estiverem a usar equipamento de proteção pessoal.
- Não direcione o jato contra si próprio ou contra outros para lavar roupas ou calçado.
- Risco de explosão - não pulverize líquidos inflamáveis.
- As máquinas de lavar a alta pressão não devem ser utilizadas por crianças ou pessoal sem formação.
- As mangueiras de alta pressão, os acessórios e os acoplamentos são importantes para a segurança da máquina. Utilize apenas mangueiras, acessórios e acoplamentos recomendados pelo fabricante.
- Para garantir a segurança da máquina, utilize apenas peças sobresselentes originais do fabricante ou aprovadas pelo fabricante.
- Certifique-se sempre de que a ferramenta está desligada e que as baterias foram removidas antes de efetuar quaisquer trabalhos na ferramenta.
- Não utilize a máquina se peças importantes da máquina estiverem danificadas, por exemplo, dispositivos de segurança, mangueiras de alta pressão, pistola de gatilho.

- Remova sempre as baterias quando deixar a máquina sem supervisão.
- Cumpre os requisitos da empresa de fornecimento de água local.
- Para países europeus:
De acordo com a EN12729 (BA), o aparelho também pode ser ligado à rede de abastecimento de água potável se uma válvula anti-retorno com escoamento estiver instalada na mangueira de fornecimento.

ESPECIFICAÇÕES

Modelo:		DHW080
Volume de alimentação máx. ^{*1}		6,3 l/min
Caudal de água ^{*2}	Modo Alta	5,5 l/min
	Modo Baixa	4,0 l/min
Pressão máx. admissível		8,0 MPa
Pressão de funcionamento ^{*2}	Modo Alta	5,5 MPa
	Modo Baixa	3,0 MPa
Pressão máx. de alimentação		1,0 MPa
Temperatura máx. de alimentação		40°C
Altura máx. de sucção		1 m
Voltagem nominal		CC 36 V
Dimensões (C x L x A)		438 mm x 218 mm x 269 mm
Peso		7,1 - 7,7 kg

*1: Quando utilizar a escova de lavar.

*2: Quando utilizar a lança de pulverização.

- Devido a um programa contínuo de pesquisa e desenvolvimento, estas especificações estão sujeitas a alteração sem aviso prévio.
- As especificações podem variar de país para país.
- O peso poderá diferir em função do acessório(s), incluindo a bateria. A combinação mais leve e mais pesada, de acordo com o Procedimento EPTA 01/2014, é apresentada na tabela.

Bateria e carregador aplicável

Bateria	BL1815N / BL1820 / BL1820B / BL1830 / BL1830B / BL1840 / BL1840B / BL1850 / BL1850B / BL1860B
Carregador	DC18RC / DC18RD / DC18RE / DC18SD / DC18SE / DC18SF / DC18SH

- Algumas das baterias e carregadores listados acima poderão não estar disponíveis, dependendo da sua região de residência.

⚠AVISO: Utilize apenas as baterias e carregadores listados acima. A utilização de quaisquer outras baterias e carregadores pode causar ferimentos e/ou um incêndio.

Símbolos

A seguir são apresentados os símbolos utilizados para o equipamento. Certifique-se de que compreende o seu significado antes de utilizar o equipamento.



Leia o manual de instruções.



Tenha especial cuidado e atenção.



Apenas para países da UE
 Não elimine equipamentos elétricos ou baterias juntamente com o material residual doméstico!
 Em cumprimento com as Diretivas Europeias relativas aos resíduos de equipamentos elétricos e eletrônicos e pilhas e acumuladores e baterias e acumuladores e resíduos de pilhas e acumuladores e a sua implementação de acordo com as leis nacionais, o equipamento elétrico e as baterias e pacote(s) de bateria(s) que atingiram o fim de vida têm de ser recolhidos separadamente e devolvidos a instalações de reciclagem compatíveis a nível ambiental.



Não ligue a uma torneira de água potável.



Não direcione o jato para pessoas, incluindo você mesmo, animais e equipamentos elétricos sob tensão.

Utilização a que se destina

Esta ferramenta destina-se à limpeza de sujidade persistente através da utilização de jatos de água. Esta ferramenta destina-se a utilização doméstica.

Ruído

A característica do nível de ruído A determinado de acordo com a EN60335-2-79:

Nível de pressão acústica (L_{pA}): 70,9 dB (A)

Variabilidade (K): 3,6 dB (A)

O nível de ruído durante o funcionamento pode exceder 80 dB (A).

NOTA: O(s) valor(es) da emissão de ruído indicado(s) foi medido de acordo com um método de teste padrão e pode ser utilizado para comparar duas ferramentas.

NOTA: O(s) valor(es) da emissão de ruído indicado(s) pode também ser utilizado na avaliação preliminar da exposição.

AVISO: Utilize protetores auriculares.

AVISO: A emissão de ruído durante a utilização real da ferramenta elétrica pode diferir do(s) valor(es) indicado(s), dependendo das formas como a ferramenta é utilizada, especialmente o tipo de peça de trabalho que é processada.

AVISO: Certifique-se de identificar as medidas de segurança para proteção do operador que sejam baseadas em uma estimativa de exposição em condições reais de utilização (considerando todas as partes do ciclo de operação, tal como quando a ferramenta está desligada e quando está a funcionar em marcha lenta além do tempo de acionamento).

Vibração

Valor total da vibração (soma vetorial tri-axial) determinado de acordo com a EN60335-2-79:

Emissão de vibração (a_{h1}): 2,5 m/s^2 ou menos

Variabilidade (K): 1,5 m/s^2

NOTA: O(s) valor(es) total(ais) de vibração indicado(s) foi medido de acordo com um método de teste padrão e pode ser utilizado para comparar duas ferramentas.

NOTA: O(s) valor(es) total(ais) de vibração indicado(s) pode também ser utilizado na avaliação preliminar da exposição.

AVISO: A emissão de vibração durante a utilização real da ferramenta elétrica pode diferir do(s) valor(es) indicado(s), dependendo das formas como a ferramenta é utilizada, especialmente o tipo de peça de trabalho que é processada.

AVISO: Certifique-se de identificar as medidas de segurança para proteção do operador que sejam baseadas em uma estimativa de exposição em condições reais de utilização (considerando todas as partes do ciclo de operação, tal como quando a ferramenta está desligada e quando está a funcionar em marcha lenta além do tempo de acionamento).

Declaração de conformidade da CE

Apenas para os países europeus

A declaração de conformidade da CE está incluída como Anexo A neste manual de instruções.

AVISOS DE SEGURANÇA IMPORTANTES

AVISO: Leia todos os avisos de segurança e todas as instruções. O não cumprimento de todos os avisos e instruções pode originar choque elétrico, incêndio e/ou ferimentos graves.

Guarde todos os avisos e instruções para futuras referências.

AVISO - Quando utilizar este produto, deve seguir sempre as precauções básicas, incluindo as seguintes:

Segurança da área de trabalho

1. Mantenha a área operacional sem pessoas.
2. Não tente esticar-se nem permaneça sobre suportes instáveis. Mantenha sempre um bom posicionamento e equilíbrio.
3. Coloque sempre o corpo da lavadora de alta pressão sobre uma superfície nivelada e estável. Evite áreas nas quais a água ejetada escorra ou acumule.
4. Antes de limpar, verifique os arredores e os objetos a limpar. Os jatos de alta pressão podem raspar tinta ou outros tratamentos de superfície, incluindo produtos químicos tóxicos. Adote as medidas preventivas, se necessário.
5. Tenha cuidado para não tropeçar na mangueira da lavadora de alta pressão. Tenha sempre atenção à configuração da mangueira durante a operação.

6. Durante a utilização, uma pequena quantidade de água sairá do fundo da lavadora de alta pressão. Evite colocar a lavadora de alta pressão nas áreas que não pretende molhar.
- Segurança pessoal**
1. Para se protegerem contra o jato e os objetos soprados pelo jato, os operadores devem usar vestuário apropriado, tal como botas de segurança, luvas de proteção, capacetes de proteção com viseiras, proteção auditiva, etc.
 2. Não utilize a lavadora de alta pressão dentro do alcance de pessoas, exceto se estas estiverem a usar equipamento de proteção pessoal.
 3. Para reduzir o risco de lesão, é necessária uma supervisão rigorosa quando o produto estiver a ser utilizado próximo de crianças.
 4. Se a ligação for estabelecida a um sistema de água potável, o sistema deve estar protegido contra retorno.
 5. A água que fluiu através da válvula anti-retorno é considerada imprópria para consumo.
- Segurança elétrica**
1. Nunca toque nas baterias com as mãos molhadas.
 2. Não utilize a máquina se peças importantes da máquina estiverem danificadas, por exemplo, dispositivos de segurança, mangueiras de alta pressão ou pistola de gatilho.
- Utilização e conservação da ferramenta elétrica**
1. Leia todas as instruções antes de utilizar o produto.
 2. Saiba como parar a lavadora de alta pressão e purgar rapidamente as pressões. Familiarize-se completamente com os controlos.
 3. Os jatos de alta pressão podem ser perigosos se forem utilizados incorretamente. O jato não deve ser direcionado para pessoas, equipamento elétrico sob tensão ou para a própria máquina.
 4. Esta máquina não se destina a ser utilizada por pessoas (incluindo crianças) com capacidades físicas, sensoriais ou mentais reduzidas ou falta de experiência e conhecimentos.
 5. As crianças devem ser supervisionadas de modo a assegurar que não brincam com o aparelho.
 6. Não pulverize líquidos inflamáveis e/ou tóxicos. Isto poderá causar uma explosão, intoxicação ou danos na máquina.
 7. Não direcione o jato contra si próprio ou contra outros para lavar roupas ou calçado.
 8. As mangueiras de alta pressão, os acessórios e os acoplamentos são importantes para a segurança da máquina. Utilize apenas mangueiras, acessórios e acoplamentos recomendados pelo fabricante.
 9. Siga as instruções quando substituir acessórios.
 10. Mantenha as pegas secas, limpas e sem óleo ou gordura.
 11. Mantenha-se alerta - esteja atento ao trabalho.
 12. Não opere o produto quando estiver cansado ou sob a influência de álcool ou medicamentos.
 13. Não opere a lavadora de alta pressão sem água durante mais de um minuto. Isso causará danos no motor, resultando em anomalia.
 14. Desligue sempre a alimentação elétrica e desligue o abastecimento de água quando deixar a lavadora de alta pressão sem supervisão.
 15. Tenha cuidado com o retorno. A pistola de gatilho recua quando o jato de alta pressão é ejetado do bocal. Segure firmemente a pistola de gatilho para evitar lesões acidentais.
 16. Verifique se existem peças danificadas ou gastas antes de utilizar o aparelho. Além disso, certifique-se de que a mangueira está ligada corretamente e que não ocorrem fugas durante a operação. Operar a máquina com defeitos funcionais poderá causar um acidente.
 17. Esta máquina foi concebida para ser utilizada com o produto de limpeza fornecido ou recomendado pelo fabricante. A utilização de outros produtos de limpeza ou produtos químicos poderá ter efeitos adversos na segurança da máquina.
 18. Não puxe a mangueira para mover o corpo da lavadora de alta pressão. Tal danificará a mangueira e as peças de ligação, resultando num curto-circuito ou em defeitos funcionais.
 19. Não coloque objetos pesados na mangueira nem permita que veículos passem sobre esta.
 20. Alivie sempre a pressão residual na pistola de gatilho antes de desligar a mangueira.
 21. Quando ligar a mangueira à rede de abastecimento de água, cumpra as instruções do departamento ou empresa de abastecimento de água local.
 22. Se a lavadora de alta pressão cair ou bater contra um objeto rijo, certifique-se de que verifica se existem danos e fendas. A utilização da lavadora de alta pressão danificada pode gerar fumo ou incêndio ou causar choque elétrico, o que provoca ferimentos pessoais.
 23. Podem formar-se aerossóis durante a utilização de máquinas de lavar a alta pressão. A inalação de aerossóis pode ser perigosa para a saúde.
 24. Dependendo da aplicação, podem ser utilizados bocais blindados para a limpeza de alta pressão, o que irá reduzir drasticamente a emissão de aerossóis hidratados. Contudo, nem todas as aplicações permitem a utilização de um tal dispositivo. Se os bocais blindados não forem aplicáveis para a proteção contra aerossóis, pode ser necessária uma máscara respiratória da classe FFP 2 ou equivalente, dependendo do ambiente de limpeza.
 25. Previna o arranque não intencional. Assegure que o interruptor está na posição de desligado antes de ligar à bateria, pegar no aparelho ou transportá-lo. Transportar o aparelho com o dedo no interruptor ou dar energia a um aparelho que tenha o interruptor ligado pode dar origem a acidentes.
 26. Desligue a bateria do aparelho antes de realizar quaisquer ajustes, mudar os acessórios ou guardar o aparelho. Estas medidas preventivas de segurança reduzem o risco de pôr o aparelho a funcionar acidentalmente.

27. Não modifique ou tente reparar o aparelho ou a bateria, exceto conforme indicado nas instruções de utilização e conservação.
 28. **AVISO - Risco de injeção ou ferimentos - Não direcione o fluxo de descarga para pessoas.**
- Utilização e cuidados com a ferramenta a bateria**
1. **Recarregue apenas com o carregador especificado pelo fabricante.** Um carregador adequado para um tipo de bateria pode criar um risco de incêndio quando utilizado com outra bateria.
 2. **Utilize as ferramentas elétricas apenas com as baterias especificamente designadas.** A utilização de uma bateria diferente pode criar um risco de ferimentos e de incêndio.
 3. **Quando a bateria não está a ser utilizada, mantenha-a afastada de outros objetos metálicos, como cliques, moedas, chaves, pregos, parafusos ou outros objetos metálicos pequenos que possam fazer a ligação entre os dois terminais.** Colocar os terminais da bateria em curto-circuito um com o outro pode provocar queimaduras ou um incêndio.
 4. **Em condições abusivas, o líquido pode ser ejetado da bateria; evite o contacto com o mesmo. Se ocorrer um contacto acidental, lave com água. Se o líquido entrar em contacto com os olhos, procure também assistência médica.** O líquido ejetado da bateria pode provocar irritações ou queimaduras.
 5. **Não utilize um conjunto de baterias ou uma ferramenta que se encontrem danificados ou modificados.** As baterias danificadas ou modificadas poderão exibir um comportamento imprevisível, resultando em incêndio, explosão ou risco de lesão.
 6. **Não exponha um conjunto de baterias ou uma ferramenta a incêndio ou temperatura excessiva.** A exposição a incêndio ou a uma temperatura superior a 130 °C poderá causar uma explosão.
 7. **Siga todas as instruções de carregamento e não carregue o conjunto de baterias ou ferramenta fora da amplitude de temperaturas especificada nas instruções.** O carregamento impróprio ou a temperaturas fora da amplitude especificada poderá danificar a bateria e aumentar o risco de incêndio.
2. Não utilize a ferramenta quando existe o risco de relâmpagos.
 3. Quando utilizar a ferramenta em terreno lamacento, declives húmidos ou local escorregadio, preste atenção ao seu posicionamento.
 4. Evite trabalhar num ambiente adverso no qual se preveja um aumento da fadiga do utilizador.
 5. Não substitua a bateria à chuva.
 6. Não submerja a ferramenta numa poça.
 7. Não deixe a ferramenta sem supervisão no exterior à chuva.
 8. Quando folhas molhadas ou sujidade aderirem à boca de sucção (janela de ventilação) devido a chuva, remova-as.
 9. Não lave a ferramenta com água a alta pressão.
 10. Quando lavar a ferramenta, não deixe entrar água no mecanismo elétrico, tais como a bateria, motor e terminais.
 11. Quando guardar a ferramenta, evite a luz solar direta e a chuva e guarde-a num local onde não fique quente ou húmido.
 12. Realize a inspeção ou a manutenção num local no qual possa evitar-se a chuva.
 13. Após utilizar a ferramenta, remova a sujidade aderida e seque a ferramenta completamente antes de guardá-la. Dependendo da estação do ano ou da área, existe um risco de avaria devido a congelamento.
 14. Não molhe o terminal da bateria com líquido, tal como água, nem submerja a bateria. Não deixe a bateria à chuva nem carregue, utilize ou guarde a bateria num local húmido ou molhado. Se o terminal ficar molhado ou entrar líquido para a bateria, a bateria pode entrar em curto-circuito e existe um risco de sobreaquecimento, incêndio ou explosão.
 15. Após remover a bateria da ferramenta ou do carregador, certifique-se de que prende a tampa da bateria à bateria e guarde-a num local seco.
 16. Não substitua a bateria com as mãos molhadas.

Assistência

1. Siga as instruções de manutenção especificadas no manual.
2. Para garantir a segurança da máquina, utilize apenas peças sobresselentes originais do fabricante ou aprovadas pelo fabricante.
3. Solicite assistência por um técnico de reparação qualificado para a sua lavadora de alta pressão utilizando apenas peças de substituição idênticas. Isso irá assegurar que a segurança da lavadora de alta pressão é mantida.
4. No caso de avaria ou anomalia da lavadora de alta pressão, desligue-a imediatamente e remova a(s) bateria(s). Contacte o seu distribuidor local ou centro de assistência.

Avisos adicionais de segurança

1. Cumpra os requisitos da empresa de fornecimento de água local.

Avisos adicionais de segurança

1. Cumpra os requisitos da empresa de fornecimento de água local.
2. Não utilize uma fonte de alimentação com fio ou um adaptador da bateria ou adaptador de baterias tipo mochila com este aparelho. O cabo de tal fonte de alimentação pode impedir a operação e resultar em ferimentos pessoais.

GUARDE ESTAS INSTRUÇÕES.

⚠️ AVISO: NÃO permita que o conforto ou a familiaridade com o produto (adquirido com o uso repetido) substitua a adesão estrita às regras de segurança da ferramenta.

A MÁ INTERPRETAÇÃO ou o não seguimento das regras de segurança estabelecidas neste manual de instruções pode causar danos pessoais graves.

Instruções de segurança importantes para a bateria

1. Antes de utilizar a bateria, leia todas as instruções e etiquetas de precaução no (1) carregador de bateria (2) bateria e (3) produto que utiliza a bateria.
2. Não abra a bateria.
3. Se o tempo de funcionamento se tornar excessivamente curto, pare o funcionamento imediatamente. Pode resultar em sobreaquecimento, possíveis queimaduras e mesmo explosão.
4. Se entrar eletrólito nos seus olhos, lave-os com água e consulte imediatamente um médico. Pode resultar em perda de visão.
5. Não coloque a bateria em curto-circuito:
 - (1) Não toque nos terminais com qualquer material condutor.
 - (2) Evite guardar a bateria juntamente com outros objetos metálicos tais como pregos, moedas, etc.
 - (3) Não exponha a bateria à água ou chuva. Um curto-circuito pode ocasionar um enorme fluxo de corrente, sobreaquecimento, possíveis queimaduras e mesmo estragar-se.
6. Não guarde a ferramenta e a bateria em locais onde a temperatura pode atingir ou exceder 50°C.
7. Não queime a bateria mesmo que esteja estragada ou completamente gasta. A bateria pode explodir no fogo.
8. Tenha cuidado para não deixar cair ou dar pancadas na bateria.
9. Não utilize uma bateria danificada.
10. As baterias de íons de lítio contidas na ferramenta são sujeitas aos requisitos da DGL (Dangerous Goods Legislation - Legislação de bens perigosos).

Para o transporte comercial, por exemplo, por terceiros ou agentes de expedição, têm de ser observados os requisitos referentes à embalagem e etiquetagem.

Para preparação do artigo a ser expedido, é necessário consultar um perito em materiais perigosos. Tenha ainda em conta a possibilidade de existirem regulamentos nacionais mais detalhados.

Coloque fita-cola ou tape os contactos abertos e embale a bateria de tal forma que não possa mover-se dentro da embalagem.
11. Quando eliminar a bateria, remova-a da ferramenta e elimine-a num local seguro. Siga os regulamentos locais relacionados com a eliminação de baterias.
12. Utilize as baterias apenas com os produtos especificados pela Makita. Instalar as baterias em produtos não-conformes poderá resultar num incêndio, calor excessivo, explosão ou fuga de eletrólito.
13. Se a ferramenta não for utilizada durante um período de tempo prolongado, a bateria deve ser removida da ferramenta.

GUARDE ESTAS INSTRUÇÕES.

⚠PRECAUÇÃO: Utilize apenas baterias genuínas da Makita. A utilização de baterias não genuínas da Makita ou de baterias que foram alteradas, pode resultar no reben-tamento da bateria provocando incêndios, ferimentos pessoais e danos. Além disso, anulará da garantia da Makita no que se refere à ferramenta e ao carregador Makita.

Conselhos para manter a máxima vida útil da bateria

1. Carregue a bateria antes que esteja completamente descarregada. Pare sempre o funcionamento da ferramenta e carregue a bateria quando notar menos poder na ferramenta.
2. Nunca carregue uma bateria completamente carregada. Carregamento excessivo diminui a vida útil da bateria.
3. Carregue a bateria à temperatura ambiente de 10°C - 40°C. Deixe que uma bateria quente arrefeça antes de a carregar.
4. Carregue a bateria se não a utilizar durante um longo período de tempo (mais de seis meses).

DESCRIÇÃO FUNCIONAL

⚠PRECAUÇÃO: Certifique-se sempre de que a ferramenta está desligada e a bateria foi retirada antes de regular ou verificar qualquer função na ferramenta.

Instalação ou remoção da bateria

⚠PRECAUÇÃO: Desligue sempre a ferramenta antes de colocar ou retirar a bateria.

⚠PRECAUÇÃO: Segure firmemente a ferramenta e a bateria quando instalar ou remover a bateria. Se não segurar firmemente a ferramenta e a bateria pode fazer com que escorreguem das suas mãos resultando em danos na ferramenta e na bateria e ferimentos pessoais.

Para instalar a bateria, abra a tampa enquanto pressiona a alavanca de bloqueio. Alinhe a lingueta na bateria com a ranhura no compartimento e deslize-a para a posição correta. Insira-a completamente até bloquear na posição correta com um pequeno clique. Se conseguir ver o indicador vermelho no lado superior do botão, esta não está completamente bloqueada. Certifique-se de que fecha a tampa após instalar ou remover as baterias.

► Fig.1: 1. Tampa 2. Alavanca de bloqueio

Para remover as baterias, eleve a bateria enquanto pressiona o botão na parte frontal da bateria.

► Fig.2: 1. Indicador vermelho 2. Botão 3. Bateria

⚠PRECAUÇÃO: Instale sempre a bateria até ao fim, até deixar de ver o indicador vermelho. Caso contrário, a bateria poderá cair da ferramenta acidentalmente e provocar ferimentos em si mesmo ou em alguém próximo.

⚠PRECAUÇÃO: Não instale a bateria à força. Se a bateria não deslizar facilmente é porque não foi colocada corretamente.

⚠PRECAUÇÃO: Certifique-se de que bloqueia a tampa antes da operação.

Sistema de proteção da ferramenta/bateria

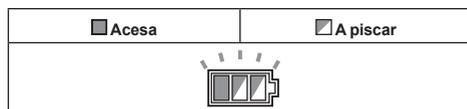
A ferramenta está equipada com um sistema de proteção da ferramenta/bateria. Este sistema corta automaticamente a corrente para o motor para aumentar a vida da ferramenta e da bateria. A ferramenta para automaticamente durante o funcionamento se a ferramenta ou bateria for colocada mediante uma das seguintes condições:

Proteção contra sobrecarga

Quando a bateria é operada de forma a puxar uma corrente anormalmente elevada, a ferramenta para automaticamente sem qualquer indicação. Nesse caso, desligue a ferramenta e pare a operação que provocou a sobrecarga da ferramenta. Em seguida, volte a ligar a ferramenta para a reiniciar.

Proteção contra sobreaquecimento

Quando a ferramenta estiver sobreaquecida, a ferramenta para automaticamente e o indicador da bateria pisca. Nesta situação, deixe a ferramenta arrefecer antes de ligar novamente a ferramenta.



Proteção contra descarga excessiva

Quando a capacidade da bateria não é suficiente, a ferramenta para automaticamente. Neste caso, retire a bateria da ferramenta e carregue-a.

Indicação da capacidade restante da bateria

Apenas para baterias com indicador

► **Fig.3:** 1. Luzes indicadoras 2. Botão de verificação

Prima o botão de verificação na bateria para indicar a capacidade restante da bateria. As luzes indicadoras acendem durante alguns segundos.

Luzes indicadoras			Capacidade restante
Aceso	Apagado	A piscar	
■	□	◐	75% a 100%
■ ■ ■ ■	□	□	50% a 75%
■ ■	□ □	□	25% a 50%
■	□ □ □	□	0% a 25%
◐	□ □ □	□	Carregar a bateria.
■ ■	□ □	□ □	A bateria pode estar avariada.

NOTA: Dependendo das condições de utilização e da temperatura ambiente, a indicação pode ser ligeiramente diferente da capacidade real.

Indicação da capacidade restante da bateria

OBSERVAÇÃO: O indicador da bateria não acende quando o interruptor de alimentação está na posição Desligado. Para verificar a restante capacidade da bateria, rode o interruptor de alimentação para o modo de alta ou baixa pressão.

Prima o botão de verificação para indicar a capacidade restante das baterias. Os indicadores da bateria correspondem a cada bateria.

► **Fig.4:** 1. Indicador da bateria 2. Botão de verificação

Estado dos indicadores da bateria			Capacidade restante da bateria
Aceso	Apagado	A piscar	
■	□	◐	50% a 100%
■ ■ ■ ■	□	□	20% a 50%
■ ■	□ □	□	0% a 20%
■	□ □ □	□	Carregar a bateria

Interruptor de alimentação

OBSERVAÇÃO: Não rode o interruptor de alimentação à força. Isso pode causar a anomalia do interruptor.

Rode o interruptor de alimentação para a direita ou para a esquerda, dependendo do nível de pressão. Rode o interruptor de alimentação para a direita para o modo de alta pressão e para a esquerda para o modo de baixa pressão.

► **Fig.5:** 1. Modo de baixa pressão 2. Posição Desligado 3. Modo de alta pressão

NOTA: Os indicadores da bateria irão acender durante alguns segundos quando rodar o interruptor de alimentação para o modo de alta ou baixa pressão.

Funções do bocal

NOTA: Os bocais padrão variam em função do país. Consulte também a secção ACESSÓRIOS OPCIONAIS para obter informações sobre outros bocais.

Lança de pulverização

Específico para o país

► Fig.6

A largura do jato pode ser ajustada de 0° a 25° ao rodar a extremidade dianteira do bocal.

⚠PRECAUÇÃO: Quando ajustar a largura do jato, não rode o bocal enquanto o puxa em direção à pistola de gatilho. O bocal pode sair da pistola de gatilho e causar uma lesão física.

Destruidor de sujidade

Específico para o país

► Fig.7

É ejetado um jato em espiral. Adequado para remover sujidade persistente.

OBSERVAÇÃO: Não utilize o destruidor de sujidade para limpar superfícies frágeis como janelas ou carroçarias.

Operações do gatilho

Puxe o gatilho para ejetar um jato de água. O jato continua enquanto o gatilho é apertado.

O gatilho pode ser bloqueado para manuseamento seguro da pistola de gatilho. Para bloquear o gatilho, remova o batente e enganche-o na ranhura no punho.

► Fig.8: 1. Gatilho 2. Batente 3. Ranhura

OBSERVAÇÃO: Para evitar erro mecânico no interruptor de pressão, deixe sempre um intervalo de dois segundos entre as operações do gatilho.

Válvula de segurança

Este aparelho está equipado com uma válvula de segurança que evita a ocorrência de pressão excessiva indevida. Quando o gatilho é solto, a válvula abre e a água recircula através da entrada da bomba.

⚠PRECAUÇÃO: Não modifique ou ajuste a definição da válvula de segurança.

Abastecer água de um tanque/reservatório

Pode abastecer água a partir de um tanque ou reservatório em vez de uma torneira.

Substitua o conector da mangueira de água pelo conjunto de mangueira de sucção. Quando ligar o conjunto de mangueira de sucção, desligue a caixa do filtro da mangueira e prenda a caixa do filtro à entrada da lavadora de alta pressão. De seguida, ligue a mangueira à caixa do filtro.

NOTA: Quando remover/ligar a mangueira da/à caixa do filtro, rode a manga enquanto segura a mangueira para que a mangueira não rode com a manga.

► Fig.9: 1. Tanque/reservatório 2. Conjunto de mangueira de sucção 3. Conector da mangueira de água 4. Mangueira 5. Caixa do filtro 6. Entrada na lavadora de alta pressão 7. Tira de mangueira 8. Manga

⚠PRECAUÇÃO: Quando prender a manga à caixa do filtro, tenha cuidado para não magoar a mão com a tira de mangueira.

OBSERVAÇÃO: Utilize sempre o conjunto de mangueira de sucção da Makita.

OBSERVAÇÃO: Mantenha sempre um intervalo de 1 m (3,28 ft) ou inferior em altura entre a entrada da lavadora de alta pressão e a superfície da água. Caso contrário, a lavadora de alta pressão não conseguirá absorver a água para a bomba.

Para introduzir água na mangueira, remova o bocal da pistola de gatilho e ligue a lavadora de alta pressão enquanto aperta o gatilho. Após a água ser ejetada de forma estável da pistola de gatilho, solte o gatilho e acople o bocal para a sua finalidade.

► Fig.10: 1. Pistola de gatilho

NOTA: Quando a água não é ejetada, desacople o conjunto de mangueira de sucção e mergulhe-o em água. De seguida, volta a acoplá-lo à lavadora de alta pressão.

► Fig.11: 1. Conjunto de mangueira de sucção

Quando utiliza o recipiente como um tanque de água

Pode utilizar o recipiente fornecido com a lavadora de alta pressão (específico do país) como um tanque de água.

1. Esvazie o recipiente e abasteça água no mesmo.

► Fig.12: 1. Linha de nível de água máximo

OBSERVAÇÃO: Não abasteça água acima da linha de nível de água máximo.

OBSERVAÇÃO: A tampa do recipiente não é de um tipo de vedação estanque. Tenha cuidado para não derramar a água no recipiente durante o transporte.

2. Desligue a caixa do filtro da mangueira do conjunto de mangueira de sucção.

► Fig.13: 1. Mangueira 2. Caixa do filtro

3. Remova a tampa na entrada da água de alimentação e passe o conjunto de mangueira de sucção através da entrada conforme ilustrado.

► Fig.14: 1. Tampa 2. Suporte da tampa 3. Entrada da água de alimentação 4. Conjunto de mangueira de sucção

NOTA: A tampa na entrada da água de alimentação pode ser colocada no suporte da tampa.

4. Remova o conector da mangueira de água da entrada da lavadora de alta pressão. Em seguida, ligue a caixa do filtro à entrada e depois a mangueira à caixa do filtro.

► Fig.15: 1. Entrada da lavadora de alta pressão 2. Caixa do filtro 3. Conector da mangueira de água 4. Mangueira

5. Coloque a lavadora de alta pressão no recipiente para que fique fixada com os suportes na tampa do recipiente.

► Fig.16: 1. Lavadora de alta pressão 2. Tampa 3. Orifício de purga de ar

OBSERVAÇÃO: Preste atenção ao manuseamento do recipiente durante o transporte.

Transportar o recipiente com a lavadora de alta pressão e acessórios ou água no interior poderá causar um acidente ou ferimentos pessoais devido ao seu próprio peso.

OBSERVAÇÃO: Quando transportar o recipiente, não o agite, rode ou incline excessivamente. Se o fizer poderá causar:

- O derrame da água no interior;
- A queda da lavadora de alta pressão na tampa do recipiente; ou
- O impedimento da rotação das rodas do recipiente.

OBSERVAÇÃO: Quando transportar o recipiente pela pega, poderá ser derramada água se houver muita água no interior.

OBSERVAÇÃO: Pode sair água do orifício de purga de ar se a água no interior chegar ao orifício de purga de ar inclinando o recipiente.

OBSERVAÇÃO: Não pise o recipiente. A tampa pode partir-se.

OBSERVAÇÃO: Não deixe o recipiente cheio de água durante um longo período de tempo. Se o fizer pode causar danos no recipiente e provocar fuga de água.

Após a utilização, siga o procedimento seguinte:

1. Remova a tampa na saída de drenagem e descarregue água.

► Fig.17: 1. Saída de drenagem

2. Limpe a humidade no interior do recipiente com um pano e, em seguida, seque completamente o recipiente.

OBSERVAÇÃO: Não guarde a lavadora de alta pressão e os acessórios enquanto o interior do recipiente estiver húmido. A humidade restante pode causar anomalias e ferrugem.

MONTAGEM

PRECAUÇÃO: Certifique-se sempre de que a ferramenta está desligada e a bateria retirada antes de executar qualquer trabalho na ferramenta.

Ligar a mangueira de alta pressão

Ligue a mangueira de alta pressão à saída (com a marcação da pistola). Rode a porca na mangueira de alta pressão para a direita, aparafusando-a na rosca de aparafusar da saída.

► Fig.18: 1. Saída 2. Porca

PRECAUÇÃO: Certifique-se de que a mangueira de alta pressão está firmemente ligada. Uma ligação solta poderá causar a ejeção da mangueira de alta pressão, resultando em lesão física.

Acoplar a pistola de gatilho

Ligue a mangueira de alta pressão à entrada na pistola de gatilho. Rode a porca na mangueira de alta pressão para a direita, aparafusando-a na rosca de aparafusar na entrada.

► Fig.19: 1. Entrada 2. Porca

PRECAUÇÃO: Certifique-se de que a mangueira de alta pressão está firmemente ligada. Uma ligação solta poderá causar a ejeção da mangueira de alta pressão, resultando em lesão física.

Ligar à torneira

PRECAUÇÃO: Utilize sempre uma mangueira de água resistente à pressão com \varnothing 13 mm de diâmetro ou superior e ligue à torneira utilizando acessórios apropriados. Caso contrário, a mangueira de água e/ou o acessório podem partir e causar lesão física.

OBSERVAÇÃO: Utilize uma mangueira de água resistente à pressão o mais curta possível. A quantidade de água de entrada deve ser superior ao volume máx. de alimentação da bomba.

OBSERVAÇÃO: Se ligar à rede de abastecimento para água potável, utilize uma válvula anti-retorno que cumpra os normas na sua região.

Prepare uma mangueira de água resistente à pressão. Acople a bucha de acoplamento numa extremidade e ligue a outra extremidade à torneira do seguinte modo.

1. Remova a porca na bucha de acoplamento e passe a mangueira de água resistente à pressão através da porca. Insira a extremidade da mangueira na bucha de acoplamento e aperte a porca seguidamente.

► Fig.20: 1. Mangueira de água resistente à pressão 2. Porca da bucha de acoplamento 3. Bucha de acoplamento

NOTA: Se pretender ligar a mangueira de água resistente à pressão à torneira utilizando uma bucha de acoplamento, prepare outra bucha de acoplamento e acople-a à outra extremidade da mangueira.

2. Ligue a mangueira de água resistente à pressão à torneira. Aplique um acessório adequado, tal como uma tira de mangueira ou uma junta da torneira de água para fixar a extremidade da mangueira à torneira.

► Fig.21: 1. Tira de mangueira 2. Junta da torneira de água 3. Mangueira de água resistente à pressão

NOTA: O acessório depende da forma da torneira à qual estabelece ligação. Prepare um acessório comercializado adequado.

3. Acople o conector da mangueira de água à entrada (com a marcação da torneira) e insira seguidamente a bucha de acoplamento.

► Fig.22: 1. Bucha de acoplamento 2. Conector da mangueira de água 3. Entrada na lavadora de alta pressão

Ligar/desligar o bocal

⚠️PRECAUÇÃO: Bloqueie sempre o gatilho da pistola de gatilho quando ligar/desligar o bocal.

Insira a extremidade do bocal na ranhura na pistola de gatilho e rode-a no sentido da seta, conforme indicado na figura. Para desligar o bocal, rode o bocal no sentido inverso enquanto o pressionar em direção à pistola de gatilho.

- **Fig.23:** 1. Pistola de gatilho 2. Ranhura
3. Extremidade do bocal

Ligar o bocal de espuma

Acessório opcional

⚠️PRECAUÇÃO: Bloqueie sempre o gatilho da pistola de gatilho quando ligar/desligar o bocal.

Prepare um detergente antes de utilizar o bocal de espuma.

1. Remova o bocal do tanque rodando o bocal para a esquerda. Acople o bocal à pistola de gatilho.

- **Fig.24:** 1. Bocal 2. Pistola de gatilho

2. Verta o detergente para o tanque e instale-o no bocal.

- **Fig.25:** 1. Tanque

OBSERVAÇÃO: Utilize sempre detergente neutro. O detergente ácido ou alcalino poderá danificar o tanque ou o bocal.

Colocar a mala de transporte em plástico no recipiente

Acessório opcional

Pode colocar a mala de transporte em plástico Makita no topo do recipiente. Coloque a mala de transporte em plástico no recipiente para que fique fixada com os suportes na tampa do recipiente.

- **Fig.26:** 1. Mala de transporte em plástico
2. Suporte

Colocar o recipiente no trólei

Acessório opcional

Quando transportar o recipiente com o trólei Makita, coloque o recipiente na devida posição. Certifique-se de que a parte inferior do recipiente encaixa na plataforma do trólei.

- **Fig.27:** 1. Superfície inferior do recipiente
2. Plataforma do trólei

⚠️PRECAUÇÃO: Quando utilizar o trólei, não transporte o recipiente cheio de água. Se o fizer pode perder o equilíbrio e provocar ferimentos pessoais ou causar deformação do recipiente, o que leva à fuga de água.

OPERAÇÃO

⚠️AVISO: Não toque no jato de água nem direcione o jato para si ou para outras pessoas. O jato de água é perigoso e pode magoá-lo a si ou a outros.

⚠️AVISO: Quando disparar o jato de água, nunca segure o objeto que estiver a limpar nem coloque as mãos e os pés próximo do jato de água.

⚠️PRECAUÇÃO: Mantenha-se alerta ao ressalto do jato de água e a objetos soprados. Não aproxime o bocal do objeto a uma distância inferior a 30 cm.

⚠️PRECAUÇÃO: Não opere a lavadora de alta pressão sem água durante mais de um minuto.

⚠️PRECAUÇÃO: Não opere a lavadora de alta pressão por um período prolongado. Isso poderá causar sobreaquecimento ou incêndio. Além disso, a utilização a longo prazo poderá causar transtorno de vibração.

⚠️PRECAUÇÃO: Tenha cuidado com a direção do vento. Se o detergente entrar para os seus olhos ou boca, lave imediatamente com água limpa e procure cuidados médicos, se necessário.

OBSERVAÇÃO: Evite utilizar a lavadora de alta pressão durante mais de 1 hora. Após 1 hora de utilização, aguarde o mesmo período de tempo até reutilizar a máquina.

OBSERVAÇÃO: Para proteger o mecanismo da lavadora de alta pressão, não utilize água com temperatura superior a 40°C.

1. Ligue uma extremidade da mangueira de alta pressão à pistola de gatilho e a outra extremidade à lavadora de alta pressão.
2. Ligue a lavadora de alta pressão e a torneira com uma mangueira de água. Em seguida, abra a torneira.
► **Fig.28**
3. Abra a tampa e instale as baterias na lavadora de alta pressão e, em seguida, bloqueie a tampa.
► **Fig.29:** 1. Bateria 2. Tampa
4. Rode o interruptor de alimentação para o modo pretendido.
► **Fig.30:** 1. Modo de baixa pressão 2. Posição Desligado 3. Modo de alta pressão
5. Para ejetar um jato de água, desbloqueie o batente e aperte o gatilho. O jato continua enquanto o gatilho é apertado.
► **Fig.31:** 1. Batente

⚠️PRECAUÇÃO: Segure firmemente a pistola de gatilho. A pistola de gatilho recua quando puxa o gatilho.

⚠️PRECAUÇÃO: Segure sempre a pistola de gatilho pelo punho e pelo cano quando ejetar um jato de água.

OBSERVAÇÃO: Tenha cuidado para não puxar a pistola de gatilho à força durante a operação. Poderá causar o tombamento da lavadora de alta pressão.

Quando suspender a operação, pode colocar a pistola de gatilho temporariamente conforme ilustrado na figura.

► Fig.32

Após a utilização

⚠PRECAUÇÃO: Após operar a lavadora de alta pressão, realize sempre o procedimento descrito neste manual. A pressão residual na pistola de gatilho ou na lavadora de alta pressão pode causar lesão física ou danos no interior da bomba.

1. Desligue a lavadora de alta pressão.
2. Feche a torneira e desligue a mangueira de água da lavadora de alta pressão.

► Fig.33

3. Ligue novamente a lavadora de alta pressão.
4. Aperte o gatilho até a água residual na lavadora de alta pressão ser descarregada.

► Fig.34

OBSERVAÇÃO: Não opere o motor durante mais de 1 minuto.

5. Desligue a lavadora de alta pressão e remova as baterias.

► Fig.35: 1. Interruptor de alimentação 2. Bateria

6. Desligue a mangueira de alta pressão da pistola de gatilho e da lavadora de alta pressão.

► Fig.36: 1. Pistola de gatilho 2. Mangueira de alta pressão 3. Lavadora de alta pressão

OBSERVAÇÃO: Para impedir que a mangueira de alta pressão sofra danos, remova a água residual na mangueira antes de guardá-la.

MANUTENÇÃO E ARMAZENAMENTO

⚠PRECAUÇÃO: Certifique-se sempre de que a ferramenta está desligada e que a bateria foi removida antes de tentar realizar qualquer inspeção ou manutenção.

OBSERVAÇÃO: Nunca utilize gasolina, benzina, diluente, álcool ou produtos semelhantes. Pode ocorrer a descoloração, deformação ou rachaduras.

Para manter a SEGURANÇA e a FIABILIDADE do produto, as reparações e qualquer outra manutenção ou ajuste devem ser levados a cabo pelos centros de assistência Makita autorizados ou pelos centros de assistência de fábrica, utilizando sempre peças de substituição Makita.

Limpar o bocal

Utilize o pino de limpeza para remover sujidade do bocal ou desentupi-lo.

► Fig.37: 1. Pino de limpeza

OBSERVAÇÃO: Não remova sujidade ou resíduos à força. Isso poderá resultar em lesão física ou danos no orifício de ejeção, causando ângulos de jato divergentes ou fraco desempenho.

Limpar o filtro

Desacople o conector da mangueira de água e remova sujidade e resíduos do interior do filtro.

► Fig.38: 1. Conector da mangueira de água 2. Filtro 3. Anel vedante

Quando utilizar o conjunto de mangueira de sucção (acessório opcional), remova o filtro da caixa do filtro e remova sujidade e resíduos.

► Fig.39: 1. Filtro 2. Caixa do filtro

NOTA: Para manter um desempenho otimizado, limpe o filtro periodicamente.

Armazenamento

⚠PRECAUÇÃO: Guarde sempre num local interior onde a temperatura não atinja valores negativos. Se a lavadora de alta pressão congelar e avariar, contacte o centro de assistência da sua localidade para solicitar reparações.

Guarde os acessórios no bolso lateral da lavadora de alta pressão.

Exemplo de armazenamento

► Fig.40: 1. Mangueira de alta pressão 2. Bocal 3. Pistola de gatilho

Se o seu modelo for fornecido com o recipiente, guarde a lavadora de alta pressão e os acessórios no mesmo.

Exemplo de armazenamento

► Fig.41: 1. Lavadora de alta pressão 2. Bocal 3. Pistola de gatilho 4. Escova de lavar 5. Bocal de espuma 6. Mangueira de alta pressão 7. Carregador 8. Conjunto de mangueira de sucção 9. Mangueira de água resistente à pressão

NOTA: Alguns acessórios apresentados na ilustração são fornecidos como acessórios opcionais em alguns países.

RESOLUÇÃO DE PROBLEMAS

Antes de pedir uma reparação, realize primeiro a sua própria inspeção. Se encontrar um problema que não esteja explicado no manual, não tente desmontar a ferramenta. Em vez disso, peça as reparações nos centros de assistência técnica autorizados da Makita, usando sempre peças de substituição da Makita.

Estado da anomalia	Causa provável (avaria)	Correção
A lavadora não arranca.	Sem eletricidade	Instale baterias carregadas.
	O interruptor não está ligado.	Ligue o interruptor.
	Pressão residual na bomba	Puxe o gatilho.
	Bateria danificada ou circuito elétrico danificado	Contacte um centro de assistência autorizado para reparações.
Sem jato de água / jato de água fraco	Sem abastecimento de água	Certifique-se de que a torneira está aberta. Se estiver a utilizar o conjunto de mangueira de sucção, introduza água na mangueira.
	Fraco abastecimento de água	Ligue a torneira.
	Fraca ligação da mangueira de água	Verifique a ligação entre a lavadora de alta pressão e a torneira de água.
	Mangueira, filtro ou bocal entupidos	Desentupa a mangueira, o filtro ou o bocal.
	O ar está a bloquear o fluxo de água.	Desligue o interruptor e ligue o novamente de seguida enquanto aperta o gatilho.
	Bocal danificado ou gasto	Substitua o bocal.
	Anomalia na bomba ou válvula	Contacte um centro de assistência autorizado para reparações.
Jato de água instável	Bocal entupido	Desentupa o orifício de ejeção do bocal utilizando o pino de limpeza.
	Fraca sucção de água	Verifique se existem fugas ou entupimentos da mangueira de água, começando pela torneira. Ligue a torneira.
	A água está demasiado quente.	Abasteça água mais fria.
	Anomalia da válvula	Contacte um centro de assistência autorizado para reparações.
Som anormal	A água está demasiado quente.	Abasteça água mais fria.
	O ar está preso na bomba.	Contacte um centro de assistência autorizado para reparações.
Fuga de água	Ligação fraca	Verifique a ligação entre a lavadora de alta pressão e a pistola de gatilho e também a torneira de água.
	Vedantes gastos	Contacte um centro de assistência autorizado para reparações.

ACESSÓRIOS OPCIONAIS

⚠️ PRECAUÇÃO: Estes acessórios ou peças são recomendados para utilização com a ferramenta Makita especificada neste manual. A utilização de outros acessórios ou peças pode ser perigosa para as pessoas. Utilize apenas acessórios ou peças para os fins indicados.

Se necessitar de informações adicionais relativas a estes acessórios, solicite-as ao seu centro de assistência Makita.

NOTA: Alguns itens da lista podem estar incluídos na embalagem da ferramenta como acessórios padrão. Eles podem variar de país para país.

Lança de pulverização Vario-Power

► Fig.42

A pressão do jato pode ser ajustada ao rodar o bocal.

⚠️ PRECAUÇÃO: Quando ajustar a pressão do jato, não rode o bocal enquanto o puxa em direção à pistola de gatilho. O bocal pode sair da pistola de gatilho e causar uma lesão física.

Bocal de espuma

Específico para o país

► Fig.43

O detergente pode ser pulverizado como espuma.

Escova de lavar (comprida)

► Fig.44

Um bocal equipado com uma escova. Útil para lavar sujidade enquanto esfrega com a escova.

Conjunto de mangueira de sucção

► Fig.45

Substitua a mangueira de água por este conjunto para abastecer água a partir de um tanque ou reservatório.

Escova de lavar rotativa

► Fig.46

Três escovas no interior rodam lentamente ao ejetar o jato. Adequada para limpar sujidade ligeira numa parede exterior, carroçaria, banheira, etc.

Extensão da lança

► Fig.47

Tubos para estender o comprimento da pistola de gatilho. Três comprimentos diferentes estão disponíveis ao alterar o número de tubos a utilizar.

Lança de pulverização da estrutura inferior

► Fig.48

Uma lança de pulverização extra longa com bocal em ângulo. A melhor solução para limpar áreas de difícil acesso, tais como a estrutura inferior de um carro e a caleira.

⚠ PRECAUÇÃO: Não utilize a lança de pulverização da estrutura inferior com a extensão da lança.

Proteção contra salpicos

► Fig.49

Reduz o ressalto de salpicos quando estiver a limpar cantos com o destruidor de sujidade.

Junta articulada

► Fig.50

Evita que a mangueira de alta pressão seja torcida.

Junta de ligação

► Fig.51

Uma junta para ligar a um bocal de outro modelo.

Alguns bocais opcionais necessitam da junta de ligação (acessório opcional) para ligar à pistola de gatilho. Acople a junta de ligação à pistola de gatilho da mesma forma que o bocal.

► Fig.52: 1. Bocal 2. Junta de ligação 3. Pistola de gatilho

NOTA: A junta de ligação é necessária quando utiliza os bocais incluídos com outro modelo, HW112 ou HW121.

Conjunto de limpeza de tubos (10 m/15 m)

► Fig.53

Para limpar e desentupir canalizações e condutas.

⚠ PRECAUÇÃO: Preste particular atenção ao jato de água quando utilizar o conjunto de limpeza de tubos. É ejetado um jato de água de elevada intensidade para trás. Certifique-se de que insere a cabeça da mangueira no tubo antes de puxar o gatilho.

Mangueira de alta pressão de extensão (5 m/8 m/10 m)

► Fig.54

Mangueira de extensão para ligar o corpo da lavadora de alta pressão à pistola de gatilho.

ADVARSEL

- Maskiner må ikke anvendes af børn. Børn skal overvåges for at sikre, at de ikke leger med maskinen.
- Denne maskine er ikke beregnet til brug af personer (herunder børn) med reducerede fysiske, sensoriske eller mentale færdigheder eller manglende nødvendig erfaring og viden.
- Denne maskine er designet til brug sammen med det rengøringsmiddel, som producenten leverer eller anbefaler. Brug af andre rengøringsmidler eller kemikalier kan negativt påvirke maskinens sikkerhed.
- Højtryksstråler kan være farlige, hvis de misbruges. Strålen må ikke rettes mod personer, strømførende elektrisk udstyr eller selve maskinen.
- Brug ikke maskinen inden for rækkevidde af personer, medmindre de bærer beskyttelsestøj.
- Ret ikke strålen mod dig selv eller andre for at rengøre tøj eller fodtøj.
- Risiko for eksplosion - sprøjt ikke med brændbare væsker.
- Højtryksrensere må ikke anvendes af børn eller uøvede personer.
- Højtryksslanger, fittings og sammenkoblinger er vigtige for maskinens sikkerhed. Brug kun slanger, fittings og sammenkoblinger, som producenten anbefaler.
- For at garantere maskinens sikkerhed må du kun bruge originale reservedele fra producenten, eller som er godkendt af producenten.
- Sørg altid for, at der er slukket for maskinen, og at akkuerne er fjernet, før der foretages nogen form for arbejde på maskinen.
- Brug ikke maskinen, hvis vigtige dele af maskinen er beskadigede, for eksempel sikkerhedsanordninger, højtryksslanger, udløsergreb.
- Fjern altid akkuerne når du lader maskinen være uden opsyn.
- Overhold det lokale vandværks krav.
- For lande i Europa:
I henhold til EN12729 (BA) må apparatet også sluttes til hoveddrikkevandsforsyningen, hvis der monteres en ventil til tilbagesikring med afløbsfunktion i forsyningsslangen.

SPECIFIKATIONER

Model:		DHW080
Maks. tilførselsvolumen ^{*1}		6,3 l/min
Vandgennemstrømningshastighed ^{*2}	Høj tilstand	5,5 l/min
	Lav tilstand	4,0 l/min
Maks. tilladt tryk		8,0 MPa
Arbejdstryk ^{*2}	Høj tilstand	5,5 MPa
	Lav tilstand	3,0 MPa
Maks. tilførselstryk		1,0 MPa
Maks. tilførselstemperatur		40°C
Maks. sugehøjde		1 m
Mærkespænding		D.C. 36 V
Dimensioner (L x B x H)		438 mm x 218 mm x 269 mm
Vægt		7,1 - 7,7 kg

*1: Ved brug af vaskebørsten.

*2: Ved brug af sprøjtelansen.

- På grund af vores kontinuerlige forsknings- og udviklingsprogrammer kan hosstående specifikationer blive ændret uden varsel.
- Specifikationer kan variere fra land til land.
- Vægten kan være anderledes afhængigt af tilbehøret, inklusive akkuen. Den letteste og tungeste kombination i henhold til EPTA-procedure 01/2014 er vist i tabellen.

Anvendelig akku og oplader

Akku	BL1815N / BL1820 / BL1820B / BL1830 / BL1830B / BL1840 / BL1840B / BL1850 / BL1850B / BL1860B
Oplader	DC18RC / DC18RD / DC18RE / DC18SD / DC18SE / DC18SF / DC18SH

- Nogle af de akkuer og opladere, der er angivet ovenfor, er muligvis ikke tilgængelige, afhængigt af hvilket område du bor i.

⚠ ADVARSEL: Brug kun de akkuer og opladere, der er angivet ovenfor. Brug af andre akkuer og opladere kan medføre personskaade og/eller brand.

Symboler

Følgende viser de symboler, der anvendes til udstyret. Vær sikker på, at De forstår betydningen af symbolerne før brugen.



Læs betjeningsvejledningen.



Udvis særlig forsigtighed og opmærksomhed.



Ni-MH
Li-ion

Kun for lande inden for EU
Bortskaf ikke elektrisk udstyr eller akkuen sammen med almindeligt husholdningsaffald!
I overensstemmelse med EU-direktiverne vedrørende Affald af elektrisk og elektronisk udstyr samt Batterier og akkumulatorer og Batteri- og akkumulatoraffald og deres anvendelse i overensstemmelse med nationale love skal elektrisk udstyr og batterier og batteripakker, der har nået slutningen af deres levetid, indsamles separat og returneres til en miljøvenlig genbrugsstation.



Tilslut ikke til en drikkevandhane.



Ret ikke strålen mod personer, herunder dig selv, dyr og strømførende elektrisk udstyr.

Tilsigtet anvendelse

Denne maskine er beregnet til at fjerne fastgroet snavs ved hjælp af en vandstråle. Denne maskine er beregnet til husholdningsbrug.

Støj

Det typiske A-vægtede støjniveau bestemt i overensstemmelse med EN60335-2-79:
Lydtrykniveau (L_{PA}): 70,9 dB (A)
Usikkerhed (K): 3,6 dB (A)

Støjniveauet under arbejdet kan overskride 80 dB (A).

BEMÆRK: De(n) angivne støjemissionsværdi(er) er målt i overensstemmelse med en standardtestmetode og kan anvendes til at sammenligne en maskine med en anden.

BEMÆRK: De(n) angivne støjemissionsværdi(er) kan også anvendes i en præliminær eksponeringsvurdering.

⚠ ADVARSEL: Bær høreværn.

⚠ ADVARSEL: Støjemissionen under den faktiske anvendelse af maskinen kan være forskellig fra de(n) angivne værdi(er), afhængigt af den måde hvorpå maskinen anvendes, især den type arbejdsemne der behandles.

⚠ ADVARSEL: Sørg for at identificere de sikkerhedsforskrifter til beskyttelse af operatøren, som er baseret på en vurdering af eksponering under de faktiske brugsforhold (med hensyntagen til alle dele i brugscyklussen, f.eks. de gange, hvor maskinen er slukket, og når den kører i tomgang i tilgift til afbrydertiden).

Vibration

Vibrationens totalværdi (tre-aksial vektorsum) bestemt i overensstemmelse med EN60335-2-79:

Vibrationsemission (a_v): 2,5 m/s² eller mindre

Usikkerhed (K): 1,5 m/s²

BEMÆRK: De(n) angivne totalværdi(er) for vibration er målt i overensstemmelse med en standardtestmetode og kan anvendes til at sammenligne en maskine med en anden.

BEMÆRK: De(n) angivne totalværdi(er) for vibration kan også anvendes i en præliminær eksponeringsvurdering.

⚠ ADVARSEL: Vibrationsemissionen under den faktiske anvendelse af maskinen kan være forskellig fra de(n) angivne værdi(er), afhængigt af den måde hvorpå maskinen anvendes, især den type arbejdsemne der behandles.

⚠ ADVARSEL: Sørg for at identificere de sikkerhedsforskrifter til beskyttelse af operatøren, som er baseret på en vurdering af eksponering under de faktiske brugsforhold (med hensyntagen til alle dele i brugscyklussen, f.eks. de gange, hvor maskinen er slukket, og når den kører i tomgang i tilgift til afbrydertiden).

EF-overensstemmelseserklæring

Kun for lande i Europa

EF-overensstemmelseserklæringen er inkluderet som Bilag A i denne brugsanvisning.

VIGTIGE SIKKERHEDSADVARSLER

⚠ ADVARSEL: Læs alle sikkerhedsadvarsler og alle sikkerhedsinstruktioner. Hvis nedenstående advarsler og instruktioner ikke overholdes, kan det medføre elektrisk stød, brand og/eller alvorlig personskade.

Gem alle advarsler og instruktioner til fremtidig reference.

ADVARSEL - Ved brug af dette produkt skal de grundlæggende forholdsregler altid følges, herunder følgende:

Sikkerhed i arbejdsområdet

1. Hold alle personer ude af anvendelsesområdet.
2. Undlad at strække dig for langt eller at stå på ustabile støtter. Oprethold til enhver tid godt fodfæste og balance.
3. Stil altid højtryksrensensers kabinet på en jævn og stabil overflade. Undgå steder, hvor det udstødte vand løber eller samles.
4. Kontrollér omgivelserne og de genstande, der skal rengøres, før rensningen. Højtryksstråler kan skrabe maling eller andre overfladebehandlingsmidler, herunder giftige kemikalier, væk. Træf om nødvendigt forebyggende forholdsregler.
5. Vær forsigtig med ikke at falde over højtryksrensensers slange. Vær altid opmærksom på slangekonfigurationen under brug.
6. Under brug løber der en smule vand ud fra under bunden af højtryksrenserseren. Undgå at placere højtryksrenserseren på steder, som ikke må blive våde.

Personlig sikkerhed

1. For at beskytte mod strålen og genstande, der blæses af strålen, skal operatører bære passende tøj som f.eks. sikkerhedsstøvler, sikkerhedshandsker, sikkerhedshjelm med visir, høreværn osv.
2. Brug ikke højtryksrenserseren inden for rækkevidde af personer, medmindre de bærer beskyttelsestøj.
3. For at reducere risikoen for personskade kræves der nøje overvågning, når produktet anvendes i nærheden af børn.
4. Hvis der oprettes tilslutning til en drikkevandsforsyning, skal systemet sikres mod tilbageløb.
5. Vand, der er løbet ud af tilbageløbssikringen, må ikke drikkes.

Elektrisk sikkerhed

1. Rør aldrig akkuerne med våde hænder.
2. Brug ikke maskinen, hvis vigtige dele af maskinen er beskadigede, for eksempel sikkerhedsanordninger, højtryksslanger eller udløsergrebet.

Brug og vedligeholdelse af maskinen

1. Læs alle instruktioner, før du bruger produktet.
2. Vær klar over, hvordan du stopper højtryksrenserseren og hurtigt aflader trykket. Vær helt bekendt med kontrollerne.
3. Højtryksstråler kan være farlige, hvis de misbruges. Strålen må ikke rettes mod personer, strømførende elektrisk udstyr eller selve maskinen.
4. Denne maskine er ikke beregnet til brug af personer (herunder børn) med reducerede fysiske, sensoriske eller mentale færdigheder eller manglende nødvendig erfaring og viden.
5. Børn skal overvåges for at sikre, at de ikke leger med apparatet.

6. **Sprøjt ikke brændbare og/eller giftige væsker.** Dette kan medføre eksplosion, forgiftning eller beskadigelse af maskinen.
 7. **Ret ikke strålen mod dig selv eller andre for at rengøre tøj eller fodtøj.**
 8. **Højtrykslanger, fittings og sammenkoblinger er vigtige for maskinens sikkerhed.** Brug kun slanger, fittings og sammenkoblinger, som producenten anbefaler.
 9. **Følg instruktionerne ved udskiftning af tilbehør.**
 10. **Hold håndtag tørre, rene og fri for olie og fedt.**
 11. **Vær opmærksom - hold øje med det, du foretager dig.**
 12. **Anvend ikke produktet, hvis du er træt eller påvirket af alkohol eller narkotika.**
 13. **Lad ikke højtryksrenseren køre uden vand i mere end ét minut.** Dette vil beskadige motoren og medføre fejlfunktion.
 14. **Sluk altid for strømmen, og afbryd vandforsyningen, når du lader højtryksrenseren ligge uovervåget.**
 15. **Vær opmærksom på tilbageslag.** Udløsergrebet slår tilbage, når højtryksstrålen udsendes fra dysen. Hold godt fast i udløsergrebet for at undgå personskader ved uheld.
 16. **Kontroller for beskadigede eller slidte dele før brugen.** Kontroller også, at slangen er tilkoblet korrekt, og at der ikke er lækage under brugen. Brug af maskinen med funktionsdefekter kan medføre en ulykke.
 17. **Denne maskine er designet til brug sammen med det rengøringsmiddel, som producenten leverer eller anbefaler.** Brug af andre rengøringsmidler eller kemikalier kan negativt påvirke maskinens sikkerhed.
 18. **Undlad at trække i slangen for at flytte højtryksrenserens kabinet.** Dette vil beskadige slangen og tilkoblingsdelene og medføre kortslutning eller funktionsfejl.
 19. **Undlad at stille tunge genstande oven på slangen eller at lade køretøjer køre over den.**
 20. **Udløs altid resttrykket i udløsergrebet, før du frakobler slangen.**
 21. **Når slangen kobles til vandforsyningen, skal du overholde det lokale vandforsynings-selskabs eller vandværks instruktioner.**
 22. **Hvis højtryksrenseren tabes, eller støder mod en hård genstand, skal du sørge for at kontrollere for skader og revner.** Brug af en beskadiget højtryksrenser kan muligvis udvikle røg, brand eller forårsage elektrisk stød, hvilket kan resultere i personskade.
 23. **Der kan dannes aerosoler under brug af højtryksrenserne.** Inhalering af aerosoler kan være farligt for helbredet.
 24. **Afhængigt af applikationen kan der anvendes afskærmede dyser til højtryksrensning, hvilket vil reducere udledningen af vandige aerosoler drastisk.** Men ikke alle applikationer tillader brug af en sådan enhed. Hvis der ikke kan anvendes afskærmede dyser som beskyttelse mod aerosoler, kan det være nødvendigt at anvende en klasse FFP 2- eller ækvivalent respirationsmaske afhængigt af rengøringsmiljøet.
 25. **Forebyg utilsigtet start. Sørg for, at afbryderen er slået fra, før du tilslutter til en akku, løfter eller bærer apparatet.** Hvis du bærer apparatet med fingeren på afbryderen, eller hvis du sætter strøm til apparatet, mens afbryderen er slået til, kan det medføre uheld.
 26. **Afbryd akkuen fra apparatet, før du foretager nogen ændringer, skifter tilbehør eller gemmer apparatet af vejen.** Sådanne forebyggende sikkerhedsforanstaltninger mindsker risikoen for, at apparatet starter ved et uheld.
 27. **Du skal ikke ændre eller forsøge på at reparere apparatet eller akkuen, undtagen som angivet i instruktionerne for brug og vedligeholdelse.**
 28. **ADVARSEL - Risiko for injektion eller personskade - Ret ikke uledningsstrålen mod personer.**
- Brug og vedligeholdelse af batteriet**
1. **Oplad kun med den oplader, som producenten angiver** En oplader, der passer til én type batteri, kan forårsage brand, hvis den anvendes med et andet batteri.
 2. **Brug kun el-værktøjer sammen med de tilhørende batteripakker.** Brug af andre batteripakker kan forårsage personskade og brand.
 3. **Når batteripakker ikke anvendes, skal de holdes borte fra andre metalgenstande som papirclips, mønter, nøgler, søm, skruer og andre små metalgenstande, der kan skabe forbindelse mellem terminalerne.** Hvis batteriets terminaler kortsluttes, kan det forårsage brand.
 4. **I tilfælde af misbrug kan der sprøjte væske ud fra batteriet.** Undgå kontakt. Skyl med vand, hvis De kommer i kontakt med væsken. Søg læge, hvis De får væske i øjet. Væske, der sprøjter ud fra batteriet, kan medføre irritation eller forbrændinger.
 5. **Undlad at bruge en akku eller maskine, der er beskadiget eller ændret.** Beskadigede eller ændrede batterier kan fungere uforudsigeligt og medføre brand, eksplosion eller risiko for personskade.
 6. **Undlad at udsætte en akku eller maskine for brand eller høje temperaturer.** Udsættelse for brand eller temperaturer på over 130 °C kan medføre eksplosion.
 7. **Følg alle instruktioner vedrørende opladning, og undlad at oplade akkuen eller maskinen uden for det temperaturinterval, der er angivet i instruktionerne.** Opladning, der udføres forkert eller ved temperaturer uden for det angivne temperaturinterval, kan beskadige batteriet og medføre øget risiko for brand.
- Service**
1. **Følg de vedligeholdelsesinstruktioner, der er angivet i denne brugsanvisning.**
 2. **For at garantere maskinens sikkerhed må du kun bruge originale reservedele fra producenten, eller som er godkendt af producenten.**
 3. **Få udført service på højtryksrenseren hos en kvalificeret mekaniker, og brug kun identiske udskiftningsdele.** Dette sikrer, at højtryksrenserens sikkerhed opretholdes.
 4. **Hvis der opstår nedbrud eller fejlfunktion i højtryksrenseren, skal du med det samme slukke for den og fjerne akkuen/akkuerne.** Kontakt din lokale forhandler eller dit lokale servicecenter.

Supplerende sikkerhedsforskrifter

1. Overhold det lokale vandværks krav.
2. Brug ikke maskinen, hvis der er risiko for lynnedslag.
3. Vær opmærksom på dit fodfæste, når du bruger maskinen på mudret jord, en våd skråning eller et glat sted.
4. Undlad at arbejde i et dårligt arbejdsmiljø, hvor øget brugertræthed kan forventes.
5. Undlad at udskifte batteriet i regnvej.
6. Undlad at nedsænke maskinen i en vandpyt.
7. Efterlad ikke maskinen uden opsyn udendørs i regnvej.
8. Når våde blade eller snavs sætter sig fast på sugearbningen (ventilationsvindue) på grund af regn, skal du fjerne dem.
9. Undlad at vaske maskinen med højtryksvand.
10. Når du vasker maskinen, må du ikke lade vandet komme ind i den elektriske mekanisme, såsom batteri, motor og terminaler.
11. Undgå direkte sollys og regn ved opbevaring af maskinen, og opbevar den på et sted, hvor det ikke bliver varmt eller fugtigt.
12. Udfør inspektion eller vedligeholdelse på et sted, hvor der er ly for regn.
13. Når maskinen har været i brug, skal du fjerne fastsiddende snavs og tørre maskinen fuldstændigt, før den opbevares. Afhængig af årstiden eller området er der risiko for fejlfunktion på grund af frost.
14. Undgå at gøre batteriets terminal våd med væske såsom vand, eller nedsænke batteriet. Undlad at lade batteriet ligge i regnvej eller at oplade, bruge eller opbevare batteriet på et fugtigt eller vådt sted. Hvis terminalen bliver våd, eller der kommer væske ind i batteriet, kan batteriet blive kortslettet, og der er risiko for overophedning, brand eller eksplosion.
15. Når du har fjernet batteriet fra maskinen eller opladeren, skal du sørge for at fastgøre akku-dækslet på batteriet og opbevare det på et tørt sted.
16. Undlad at udskifte batteriet med våde hænder.

Supplerende sikkerhedsforskrifter

1. Overhold det lokale vandværks krav.
2. Brug ikke en ledningsbaseret strømforsyning som fx en batteriadapter eller bærbar strømforsyning med dette apparat. Ledningen til sådan en strømforsyning kan hindre brugen og forårsage personskade.

GEM DENNE BRUGSANVISNING.

⚠ ADVARSEL: LAD IKKE bekvemmelighed eller kendskab til produktet (opnået gennem gentagen brug) forhindre, at sikkerhedsforskrifterne for produktet nøje overholdes.

MISBRUG eller forsømmelse af at følge de i denne brugsvejledning givne sikkerhedsforskrifter kan føre til, at De kommer alvorligt til skade.

Vigtige sikkerhedsinstruktioner for akkuen

1. Læs alle instruktioner og advarselsmærkater på (1) akku-opladeren, (2) akkuen og (3) produktet, som anvender akku.
2. Lad være med at skille akkuen ad.
3. Hold straks op med anvendelsen, hvis brugstiden er blevet stærkt afkortet. Fortsat anvendelse kan resultere i risiko for overophedning, forbrændinger og endog eksplosion.
4. Hvis De har fået elektrolytvæske i øjnene, skal De straks skylle den ud med rent vand og derefter øjeblikkeligt søge lægehjælp. I modsat fald kan De miste synet.
5. Vær påpasselig med ikke at komme til at kortslutte akkuen:
 - (1) Rør ikke ved terminalerne med noget ledende materiale.
 - (2) Undgå at opbevare akkuen i en beholder sammen med andre genstande af metal, for eksempel søm, mønter og lignende.
 - (3) Udsæt ikke akkuen for vand eller regn. Kortslutning af akkuen kan forårsage en kraftig øgning af strømmen, overophedning, mulige forbrændinger og endog værktøjstop.
6. Opbevar ikke værktøjet og akkuen på et sted, hvor temperaturen kan nå eller overstige 50 °C.
7. Lad være med at brænde akkuen, selv ikke i tilfælde, hvor den har lidt alvorlig skade eller er fuldstændig udtjent. Akkuen kan eksplodere, hvis man forsøger at brænde den.
8. Lad være med at brænde akkuen eller udsætte den for stød.
9. Anvend ikke en beskadiget akku.
10. De indbyggede litium-ion-batterier er underlagt lovkrav vedrørende farligt gods. Ved kommerciel transport, f.eks. af tredjeparts transportselskaber, skal særlige krav til forpakning og mærkning overholdes. Ved forberedelse af udstyret til forsendelse skal du kontakte en ekspert i farligt gods. Overhold også eventuel mere detaljeret national lovgivning. Tape eller tildæk åbne kontakter, og pak batteriet på en måde, så det ikke kan flytte sig rundt i pakningen.
11. Når akkuen bortskaftes, skal du fjerne den fra maskinen og bortskaft den på et sikkert sted. Følg de lokale love vedrørende bortskaftelsen af batterier.
12. Brug kun batterierne med de produkter, som Makita specificerer. Hvis batterierne installeres i ikke-kompatible produkter, kan det medføre brand, kraftig varme, eksplosion eller udsivning af elektrolyt.
13. Hvis maskinen ikke skal bruges i længere tid ad gangen, skal du fjerne batteriet fra maskinen.

GEM DENNE BRUGSANVISNING.

⚠ FORSIGTIG: Brug kun originale batterier fra Makita. Brug af uoriginale Makita-batterier, eller batterier som er blevet ændret, kan muligvis medføre brud på batteriet, hvilket kan forårsage brand, personskade eller beskadigelse. Det ugyldiggør også Makita-garantien for Makita-maskinen og opladeren.

Tips til opnåelse af maksimal akku-levetid

1. Oplad akkuen, inden den er helt afladet. Stop altid værktøjet, og oplad akkuen, hvis De bemærker, at værktøjeffekten er aftagende.
2. Genoplad aldrig en fuldt opladet akku. Overoplading vil afkorte akkuens levetid.
3. Oplad akkuen ved stuetemperatur ved 10 °C - 40 °C. Lad altid en varm akku få tid til at køle af, inden den oplades.
4. Oplad akkuen, hvis De ikke skal bruge den i længere tid (mere end seks måneder).

FUNKTIONSBESKRIVELSE

⚠FORSIGTIG: Sørg altid for at maskinen er slukket, og at akkuen er taget ud, før der udføres justering eller kontrol af funktioner på maskinen.

Isætning eller fjernelse af akkuen

⚠FORSIGTIG: Sluk altid for værktøjet, før De monterer eller fjerner akkuen.

⚠FORSIGTIG: Hold værktøjet og akkuen fast ved montering eller fjernelse af akkuen. Hvis De ikke holder værktøjet og akkuen fast, kan de glide ud af hænderne på Dem og forårsage beskadigelse af værktøjet og akkuen eller personskade.

For at installere akkuen skal du åbne dækslet, mens du trykker på låsehåndtaget. Juster tungen på akkuen med rillen i huset, og skub den på plads. Sæt den hele vejen ind, indtil den låses på plads med et lille klik. Hvis du kan se den røde indikator øverst på knappen, er den ikke låst helt fast.

Sørg for at lukke dækslet efter installation eller fjernelse af akkerne.

► Fig.1: 1. Dæksel 2. Låsehåndtag

For at fjerne akkerne skal du løfte akkuen, mens du trykker på knappen foran på akkuen.

► Fig.2: 1. Rød indikator 2. Knap 3. Akku

⚠FORSIGTIG: Monter altid akkuen helt, indtil den røde indikator ikke længere er synlig. Hvis dette ikke gøres, kan den falde ud af værktøjet ved et uheld, hvorved De selv eller personer i nærheden kan komme til skade.

⚠FORSIGTIG: Brug ikke magt ved montering af akkuen. Hvis akkuen ikke glider på plads uden problemer, betyder det, at den ikke sættes i på korrekt vis.

⚠FORSIGTIG: Sørg for, at du låser dækslet inden brugen.

Beskyttelsessystem til værktøj/batteri

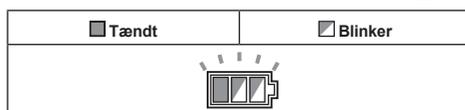
Maskinen er udstyret med et beskyttelsessystem til maskinen/batteriet. Dette system afbryder automatisk strømmen til motoren for at forlænge maskinens og batteriets levetid. Maskinen stopper automatisk under brugen, hvis maskinen eller batteriet udsættes for et af følgende forhold:

Overbelastningsbeskyttelse

Hvis batteriet bruges på en måde, der får det til at trække en unormalt høj strøm, stopper maskinen automatisk uden indikation. Sluk i så fald for maskinen, og stop den anvendelse, der medførte overbelastningen af maskinen. Tænd derefter for maskinen for at starte igen.

Beskyttelse mod overophedning

Hvis maskinen er overophedet, stopper maskinen automatisk, og batteriindikatoren blinker. Lad i så fald maskinen køle ned, før der tændes for maskinen igen.



Beskyttelse mod overoplading

Når batteriladningen er utilstrækkelig, stopper maskinen automatisk. Tag i så fald akkuen ud af maskinen, og oplad akkuen.

Indikation af den resterende batteriladning

Kun til akker med indikatoren

► Fig.3: 1. Indikatorlamper 2. Kontrolknap

Tryk på kontrolknappen på akkuen for at få vist den resterende batteriladning. Indikatorlampen lyser i nogle sekunder.

Indikatorlamper			Resterende ladning
Tændt	Slukket	Blinker	
■ ■ ■ ■			75% til 100%
■ ■ ■ □			50% til 75%
■ ■ □ □			25% til 50%
■ □ □ □			0% til 25%
▬ □ □ □			Genoplad batteriet.
■ ■ □ □			Der er muligvis fejl i batteriet.
□ □ ■ ■			

BEMÆRK: Afhængigt af brugsforholdene og den omgivende temperatur kan indikationen afvige en smule fra den faktiske ladning.

Indikation af den resterende batteriladning

BEMÆRKNING: Batteriindikatoren lyser ikke, når afbryderknappen er i FRA-position. For at kontrollere den resterende batteriladning skal du dreje afbryderknappen hen på høj- eller lavtrykstilstand.

Tryk på kontrolknappen for at få vist de resterende batteriladning. Batteriindikatorerne svarer til hvert enkelt batteri.

► Fig.4: 1. Batteriindikator 2. Kontrolknap

Status på batteriindikator			Resterende batteriladning
Tændt	Slukket	Blinker	
			50% til 100%
			20% til 50%
			0% til 20%
			Genoplad batteriet

Afbryderknop

BEMÆRKNING: Drej ikke afbryderknappen med magt. Dette kan medføre fejlfunktion i knappen.

Drej afbryderknappen i retningen med eller mod uret, afhængigt af trykniveaue. Drej afbryderknappen i retningen med uret for højtrykstilstand eller mod uret for lavtrykstilstand.

► Fig.5: 1. Lavtrykstilstand 2. FRA-position
3. Højtrykstilstand

BEMÆRK: Batteriindikatorerne lyser i et par sekunder, når du drejer afbryderknappen hen på høj- eller lavtrykstilstand.

Dysefunktioner

BEMÆRK: Standarddyserne varierer afhængigt af landet. Se også afsnittet "EKSTRAUDSTYR" vedrørende andre dyser.

Sprøjtelåse

Landespecifik

► Fig.6

Strålens bredde kan justeres fra 0° til 25° ved at dreje dysens forende.

⚠FORSIGTIG: Når du justerer strålens bredde, må du ikke dreje dysen, mens du trækker den mod udløsergrebet. Dysen kan falde af udløsergrebet og forårsage personskaade.

Smudsblæser

Landespecifik

► Fig.7

Der udsendes en spiralformet stråle. Eget til at fjerne fastgroet snavs.

BEMÆRKNING: Brug ikke smudsblæseren til at rengøre skrøbelige flader som vinduer eller bilkarosserier.

Udløserbetjeninger

Tryk på udløseren for at udsende en vandstråle. Strålen fortsætter, så længe der trykkes på udløseren. Udløseren kan låses med henblik på sikker håndtering af udløsergrebet. Du låser udløseren ved at trække stopperen ud og låse den i rillen på grebet.

► Fig.8: 1. Udløser 2. Stopper 3. Rille

BEMÆRKNING: For at undgå mekanisk fejl i trykkontakten skal du lade to sekunder gå mellem betjeninger af udløseren.

Sikkerhedsventil

Dette apparat er udstyret med en sikkerhedsventil, der forebygger unødigt overtryk. Når udløseren slippes, åbnes ventilen, og vandet cirkulerer tilbage gennem pumpeindløbet.

⚠FORSIGTIG: Undlad at ændre eller justere sikkerhedsventilens indstilling.

Tilførsel af vand fra en beholder eller et reservoir

Du kan tilføre vand fra en beholder eller et reservoir i stedet for en vandhane.

Udskift tilkoblingen på vandslangen med sugeslangesættet. Ved tilkobling af sugeslangesættet skal du frakoble filterhuset fra slangen og montere filterhuset på indløbet af højtryksrenseren. Kobl derefter slangen til filterhuset.

BEMÆRK: Ved afkobling/tilkobling af slangen fra/til filterhuset skal du dreje muffen, mens du holder slangen, så slangen ikke roterer med muffen.

► Fig.9: 1. Beholder/reservoir 2. Sugelangesæt
3. Tilkobling på vandslange 4. Slange
5. Filterhus 6. Indløb på højtryksrenser
7. Slangebånd 8. Muffe

⚠FORSIGTIG: Når du monterer muffen til filterhuset, skal du passe på ikke at skade hånden på slangebåndet.

BEMÆRKNING: Benyt altid Makitas sugelangesæt.

BEMÆRKNING: Hold altid en højde på 1 m (3,28 ft) eller derunder mellem indløbet på højtryksrenseren og vandoverfladen. Ellers kan højtryksrenseren ikke suge vandet op i pumpen.

For at suge vand ind i slangen skal du fjerne dysen fra udløsergrebet og tænde for højtryksrensere, mens der trykkes på udløseren. Når der konstant sprøjtes vand ud af udløsergrebet, skal du slippe udløseren og montere den dyse, der skal benyttes til formålet.

► **Fig.10:** 1. Udløsergreb

BEMÆRK: Hvis der ikke sprøjtes vand ud, skal du frakoble sugeslangesættet og fylde det med vand. Kobl det derefter til højtryksrensere igen.

► **Fig.11:** 1. Sugelangesæt

Når beholderen anvendes som en vandtank

Du kan anvende den beholder, som følger med højtryksrensere (landespecifik), som en vandtank.

1. Tøm beholderen og tilfør vand til den.

► **Fig.12:** 1. Linje for fuld vandstand

BEMÆRKNING: Tilfør ikke vand til over linjen for fuld vandstand.

BEMÆRKNING: Låget til beholderen er ikke en tæt forseglede type. Pas på ikke at spilde vandet i beholderen når den bæres.

2. Frakobl filterhuset fra slangen på sugelangesættet.

► **Fig.13:** 1. Slange 2. Filterhus

3. Fjern hættten på indløbet til vandtilførslen og før sugelangesættet gennem indløbet.

► **Fig.14:** 1. Hætte 2. Hætteholder 3. Indløb til vandtilførsel 4. Sugelangesæt

BEMÆRK: Hættten på indløbet til vandtilførslen kan lægges i hætteholderen.

4. Fjern tilkoblingen på vandslangen fra indløbet på højtryksrensere. Efter dette skal du tilslutte filterhuset til indløbet, og derefter slangen til filterhuset.

► **Fig.15:** 1. Indløb på højtryksrensere 2. Filterhus 3. Tilkobling på vandslange 4. Slange

5. Placer højtryksrensere på beholderen så den er fastgjort med monteringerne på beholderens låg.

► **Fig.16:** 1. Højtryksrensere 2. Låg 3. Luftafspningshul

BEMÆRKNING: Vær påpasselig med håndtering af beholderen når den bæres. Når beholderen bæres med højtryksrensere og tilbehør eller vand indeni, kan det medføre uheld eller personskeade pga. dens egen vægt.

BEMÆRKNING: Når du bærer på beholderen, må du ikke ryste, vende den om eller holde den for skævt. Hvis du gør dette, kan det medføre at:

- vandet indeni spilder ud;
- højtryksrensere på låget faldt af beholderen og;
- rotationen af beholderens hjul forhindres.

BEMÆRKNING: Når du bærer på beholderen i hånden, kan vandet spilde ud, hvis der er rigeligt vand indeni.

BEMÆRKNING: Der kan muligvis komme vand ud fra luftafspningshullet, hvis vandet indeni, når til luftafspningshullet pga. hældning af beholderen.

BEMÆRKNING: Træd ikke på beholderen. Låget kan muligvis gå i stykker.

BEMÆRKNING: Efterlad ikke beholderen fyldt med vand i længere tid. Hvis du gør det, kan beholderen tage skade, og det kan resultere i vandlækage.

Efter brug skal du følge nedenstående procedure:

1. Fjern hættten på udløbet til udtømning og tøm vandet af.

► **Fig.17:** 1. Udløb til udtømning

2. Tør fugten på indersiden af beholderen af med en klud og tør beholderen helt tør.

BEMÆRKNING: Opbevar ikke højtryksrensere og tilbehør når indersiden af beholderen er våd. Den resterende fugt kan muligvis forårsage funktionsfejl og rust.

SAMLING

⚠FORSIGTIG: Sørg altid for at maskinen er slukket, og at akkuen er taget ud, før der udføres noget arbejde på maskinen.

Tilslutning af højtryksslangen

Tilslut højtryksslangen til udløbet (med pistolmærket). Drej møtrikken på højtryksslangen i retningen med uret, mens du skruer den på skruegevindet på udløbet.

► **Fig.18:** 1. Udløb 2. Møtrik

⚠FORSIGTIG: Sørg for, at højtryksslangen er fast tilkoblet. En løs forbindelse kan blæse højtryksslangen af, hvilket kan medføre personskeade.

Montering af udløsergrebet

Tilslut højtryksslangen til indløbet på udløsergrebet. Drej møtrikken på højtryksslangen i retningen med uret, mens du skruer den på skruegevindet på indløbet.

► **Fig.19:** 1. Indløb 2. Møtrik

⚠FORSIGTIG: Sørg for, at højtryksslangen er fast tilkoblet. En løs forbindelse kan blæse højtryksslangen af, hvilket kan medføre personskade.

Tilslutning til en vandhane

⚠FORSIGTIG: Brug altid en trykmodstandsdygtig vandslange med en diameter på \varnothing 13 mm eller derover, og kobl den til vandhanen ved hjælp af korrekte fittings. Ellers kan vandslangen og/eller fittingen gå i stykker og medføre personskade.

BEMÆRKNING: Brug en trykmodstandsdygtig vandslange, der er så kort som muligt. Mængden af indsuget vand skal være større end pumpens maksimale tilførselsvolumen.

BEMÆRKNING: Hvis du tilkobler til drikkevandsforsyningen, skal du benytte en ventil til tilbageløbssikring, der overholder lovgivningen i dit område.

Forbered en trykmodstandsdygtig vandslange. Monter koblingsmuffen i den ene ende, og kobl den anden ende til vandhanen på følgende måde.

1. Fjern møtrikken på koblingsmuffen, og før den trykmodstandsdygtige vandslange gennem møtrikken. Sæt enden af slangen i koblingsmuffen, og stram derefter møtrikken.

► **Fig.20:** 1. Trykmodstandsdygtig vandslange 2. Møtrik på koblingsmuffen 3. Koblingsmuffe

BEMÆRK: Hvis du ønsker at koble den trykmodstandsdygtige vandslange til vandhanen ved hjælp af en koblingsmuffe, skal du skaffe en ekstra koblingsmuffe og koble den til den anden ende af slangen.

2. Kobl den trykmodstandsdygtige vandslange til vandhanen. Anvend en passende fitting som f.eks. et slangebånd eller en vandhanesamling til at fastgøre slangeenden på vandhanen.

► **Fig.21:** 1. Slangebånd 2. Vandhanesamling 3. Trykmodstandsdygtig vandslange

BEMÆRK: Fittingen afhænger af formen på den vandhane, du tilkobler til. Forbered en passende kommercielt tilgængelig fitting.

3. Monter tilkoblingen på vandslangen på indløbet (med vandhanemærket), og indsæt derefter koblingsmuffen.

► **Fig.22:** 1. Koblingsmuffe 2. Tilkobling på vandslange 3. Indløb på højtryksrenser

Montering/afmontering af dysen

⚠FORSIGTIG: Lås altid udløseren på udløsergrebet, når du monterer/afmonterer dysen.

Sæt enden af dysen ind i åbningen på udløsergrebet, og drej den i pilens retning som vist i figuren. For at afmontere dysen skal du dreje dysen i den modsatte retning, mens du trykker den mod udløsergrebet.

► **Fig.23:** 1. Udløsergreb 2. Åbning 3. Enden af dysen

Montering af skumdysen

Ekstraudstyr

⚠FORSIGTIG: Lås altid udløseren på udløsergrebet, når du monterer/afmonterer dysen.

Forbered et rengøringsmiddel, før du bruger skumdysen.

1. Fjern dysen fra beholderen ved at dreje dysen i retningen mod uret. Monter dysen på udløsergrebet.

► **Fig.24:** 1. Dyse 2. Udløsergreb

2. Hæld rengøringsmidlet i beholderen, og monter den på dysen.

► **Fig.25:** 1. Beholder

BEMÆRKNING: Brug altid et neutralt rengøringsmiddel. Sure eller basiske rengøringsmidler kan beskadige beholderen eller dysen.

Placering af plastikbæretasken på beholderen

Ekstraudstyr

Du kan placere Makita-plastikbæretasken oven på beholderen. Placer plastikbæretasken på beholderen så den er fastgjort med monteringerne på beholderens låg.

► **Fig.26:** 1. Plastikbæretaske 2. Montering

Placering af beholderen på vognen

Ekstraudstyr

Når du bærer beholderen med Makita-vognen, skal du placere beholderen i position. Sørg for, at bunden af beholderen passer ind i fodpladen på vognen.

► **Fig.27:** 1. Bunden af beholderen 2. Fodplade på vognen

⚠FORSIGTIG: Når du anvender vognen, skal du ikke bære beholderen fyldt med vand. Hvis du gør det, kan det medføre tab af balancen og resultere i personskade eller forårsage deformation af beholderen, hvilket fører til vandlækage.

ANVENDELSE

⚠ ADVARSEL: Undlad at berøre vandstrålen eller at rette den mod dig selv eller andre. Vandstrålen er farlig og kan skade dig selv eller andre.

⚠ ADVARSEL: Når vandstrålen udsendes, må du aldrig holde den genstand, du renses, eller placere dine hænder eller fødder i nærheden af vandstrålen.

⚠ FORSIGTIG: Vær opmærksom på tilbageslaget af vandstrålen og blæste genstande. Placer ikke dysen tættere på genstanden end 30 cm.

⚠ FORSIGTIG: Lad ikke højtryksrenseren køre uden vand i mere end 1 minut.

⚠ FORSIGTIG: Brug ikke højtryksrenseren i længere tid ad gangen. Dette kan medføre overophedning eller brand. Længerevarende brug kan også medføre vibrationsfejl.

⚠ FORSIGTIG: Vær opmærksom på vindens retning. Hvis du får rengøringsmiddel i øjnene eller munden, skal du med det samme skylle med rent vand og om nødvendigt søge læge.

BEMÆRKNING: Undlad at bruge højtryksrenseren i mere end 1 time. Efter 1 times brug skal du holde en lige så lang pause.

BEMÆRKNING: For at beskytte højtryksrensens mekanisme må du ikke bruge vand, der er varmere end 40°C.

1. Tilslut den ene ende af højtryksslangen til udløsergrebet og den anden ende til højtryksrenseren.

2. Tilslut højtryksrenseren og vandhanen vha. en vandslange. Luk derefter op for vandhanen.

► Fig.28

3. Åbn dækslet og installer akkuerne i højtryksrenseren og lås derefter dækslet.

► Fig.29: 1. Akku 2. Dæksel

4. Drej afbryderknappen hen på den ønskede tilstand.

► Fig.30: 1. Lavtrykstilstand 2. FRA-position 3. Højtrykstilstand

5. For at udsende en vandstråle skal du låse stopperen op og trykke på udløseren. Strålen fortsætter, så længe der trykkes på udløseren.

► Fig.31: 1. Stopper

⚠ FORSIGTIG: Hold godt fast i udløsergrebet. Udløsergrebet slår tilbage, når du trykker på udløseren.

⚠ FORSIGTIG: Hold altid udløsergrebet i grebet og cylinderen når der udsendes vandstråle.

BEMÆRKNING: Pas på ikke at trække i udløsergrebet med magt under brugen. Dette kan få højtryksrenseren til at vælte.

Når du holder pause i brugen, kan du midlertidigt placere udløsergrebet som vist på figuren.

► Fig.32

Efter anvendelse

⚠ FORSIGTIG: Følg altid den procedure, der er beskrevet i denne manual, efter brugen af højtryksrenseren. Resttryk i udløsergrebet eller højtryksrenseren kan medføre personskade eller indvendig skade på pumpen.

1. Sluk for højtryksrenseren.

2. Luk for vandhanen, og tag vandslangen ud af højtryksrenseren.

► Fig.33

3. Tænd for højtryksrenseren igen.

4. Tryk på udløseren, indtil det resterende vand i højtryksrenseren er udtømt.

► Fig.34

BEMÆRKNING: Lad ikke motoren køre i mere end 1 minut.

5. Sluk for højtryksrenseren og fjern akkuerne.

► Fig.35: 1. Afbryderknap 2. Akku

6. Frakobl højtryksslangen fra udløsergrebet og højtryksrenseren.

► Fig.36: 1. Udløsergreb 2. Højtryksslange 3. Højtryksrenser

BEMÆRKNING: For at undgå beskadigelse af højtryksslangen skal du fjerne det resterende vand i slangen før opbevaringen.

VEDLIGEHOLDELSE og OPBEVARING

⚠ FORSIGTIG: Vær altid sikker på, at maskinen er slukket, og at akkuen er taget ud, inden du begynder at udføre inspektion eller vedligeholdelse.

BEMÆRKNING: Anvend aldrig benzin, rensbenzin, fortynder, alkohol og lignende. Det kan medføre misfarvning, deformering eller revner.

For at opretholde produktets SIKKERHED og PÅLIDELIGHED må reparation, vedligeholdelse eller justering kun udføres af et autoriseret Makita servicecenter eller fabrikksservicecenter med anvendelse af Makita reservedele.

Rengøring af dysen

Anvend en rensespind til at fjerne snavs eller blokeringer fra dysen.

► Fig.37: 1. Rensespind

BEMÆRKNING: Fjern ikke snavs eller rester med magt. Dette kan medføre personskade eller beskadigelse af udgangshullet og medføre skæve strålevinkler eller dårlig ydeevne.

Rengøring af filteret

Afmonter tilkoblingen på vandslangen, og fjern snavs og rester fra filterets inderside.

- **Fig.38:** 1. Tilkobling på vandslange 2. Filter
3. Tætningsring

Ved brug af sugeslangesættet (ekstraudstyr) skal du tage filteret ud af filterhuset og fjerne snavs og rester.

- **Fig.39:** 1. Filter 2. Filterhus

BEMÆRK: Rengør filteret regelmæssigt for at opretholde optimal ydeevne.

Opbevaring

⚠FORSIGTIG: Opbevar altid på en indendørs placering, hvor temperaturen ikke kommer under frysepunktet. Kontakt det lokale servicecenter for reparation, hvis højtryksrenseren fryser og går i stykker.

Opbevar tilbehøret i sidelommen på højtryksrenseren.

Opbevaringseksempel

- **Fig.40:** 1. Højtryksslange 2. Dyse 3. Udløsergreb

Hvis der følger en beholder med din model, skal du opbevare højtryksrenseren og tilbehøret i den.

Opbevaringseksempel

- **Fig.41:** 1. Højtryksrenser 2. Dyse 3. Udløsergreb
4. Vaskebørste 5. Skumdyse
6. Højtryksslange 7. Oplader
8. Sugelangesæt 9. Trykmodstandsdygtig vandslange

BEMÆRK: Visse tilbehør vist på illustrationen leveres som ekstraudstyr i nogle lande.

FEJLFINDING

Udfør selv en inspektion, inden De anmoder om reparation. Hvis De opdager et problem, som ikke er forklaret i brugsanvisningen, må De ikke forsøge at adskille maskinen. Rådfør Dem i stedet med et autoriseret Makita Servicecenter, og brug altid originale Makita udskiftningsdele til reparationer.

Unormal tilstand	Sandsynlig årsag (fejl)	Afhjælpning
Renseren starter ikke.	Ingen elektricitet	Indsæt opladede akkuer.
	Afbryderen er ikke aktiveret.	Tænd for afbryderen.
	Resttryk i pumpen	Tryk på udløseren.
	Beskadiget akku eller elektrisk kredsløb	Kontakt et autoriseret servicecenter for reparation.
Ingen vandstråle / svag vandstråle	Ingen vandforsyning	Kontroller, at vandhanen er åben. Hvis du bruger sugelangesættet, skal du komme vand i slangen.
	Dårlig vandforsyning	Tænd for vandhanen.
	Dårlig tilkobling af vandslange	Kontroller tilkoblingen mellem højtryksrenseren og vandhanen.
	Tilstoppet slange, filter eller dyse	Fjern blokeringen af slangen, filteret eller dysen.
	Luft blokerer for vandgennemstrømningen.	Sluk på afbryderen, og tænd derefter for den igen, mens du trykker på udløseren.
	Beskadiget eller slidt dyse	Udskift dysen.
	Fejlfunktion i pumpe eller ventil	Kontakt et autoriseret servicecenter for reparation.
Ustabil vandstråle	Tilstoppet dyse	Fjern blokeringen i udgangshullet på dysen ved hjælp af rensepinden.
	Dårlig vandsugning	Kontroller vandslangen begyndende ved vandhanen for eventuel lækage eller tilstopning. Tænd for vandhanen.
	Vandet er for varmt.	Tilfør koldere vand.
	Funktionsfejl i ventilen	Kontakt et autoriseret servicecenter for reparation.
Unormal lyd	Vandet er for varmt.	Tilfør koldere vand.
	Luft kan ikke komme ud af pumpen.	Kontakt et autoriseret servicecenter for reparation.
Vandlækage	Dårlig forbindelse	Kontroller tilkoblingen mellem højtryksrenseren og udløsergrebet såvel som vandhanen.
	Slidte tætninger	Kontakt et autoriseret servicecenter for reparation.

EKSTRAUDSTYR

⚠️ FORSIGTIG: Det følgende tilbehør og ekstraudstyr er anbefalet til brug med Deres Makita maskine, der er beskrevet i denne brugsanvisning. Anvendelse af andet tilbehør eller ekstraudstyr kan udgøre en risiko for personskade. Anvend kun tilbehør og ekstraudstyr til det beskrevne formål.

Hvis De behøver hjælp ved valg af tilbehør eller ønsker yderligere informationer, bedes De kontakte Deres lokale Makita servicecenter.

BEMÆRK: Nogle ting på denne liste kan være inkluderet i værktøjspakken som standardtilbehør. Det kan være forskellige fra land til land.

Vario-Power sprøjtelse

► Fig.42

Strålens tryk kan justeres ved at dreje dysen.

⚠️ FORSIGTIG: Når du justerer strålens tryk, må du ikke dreje dysen, mens du trækker den mod udløsergrebet. Dysen kan falde af udløsergrebet og forårsage personskade.

Skumdyse

Landespecifik

► Fig.43

Rengøringsmiddel kan sprøjtes som skum.

Vaskebørste (lang)

► Fig.44

En dyse, der er udstyret med en børste. Nyttig til at vaske snavs væk, mens der skrubbes med børsten.

Sugeslangesæt

► Fig.45

Udskift vandslangen med dette sæt for at tilføre vand fra en beholder eller et reservoir.

Roterende vaskebørste

► Fig.46

Tre børster inden i roterer langsomt, mens strålen sprøjtes ud. Egnede til at fjerne let snavs på en udvendig væg, en bil, et badekar osv.

Lanseforlænger

► Fig.47

Rør til at forlænge udløsergrebet. Røret kan indstilles til tre forskellige længder ved at ændre det antal rør, der benyttes.

Sprøjtelse til underkarosseri

► Fig.48

En ekstra lang sprøjtelse med vinkelformet dyse. Bedst til at rengøre steder, der er svære at komme til, for eksempel underkarosseriet på en bil og tagrender.

⚠️ FORSIGTIG: Undlad at bruge sprøjtelsen til underkarosseri sammen med lanseforlænger.

Stænkskærm

► Fig.49

Reducerer tilbagestænk ved rengøring af hjørner med smudsblæseren.

Svingsamling

► Fig.50

Forhindrer, at højtrykslangen bliver snoet.

Monteringssamling

► Fig.51

En samling til at tilkoble en dyse fra en anden model.

Nogle dyser, der fås som tilbehør, skal have monteringsamlingen (ekstraudstyr) for at kunne monteres på udløsergrebet. Monter monteringsamlingen på udløsergrebet på samme måde som dysen.

► Fig.52: 1. Dyse 2. Monteringsamling
3. Udløsergreb

BEMÆRK: Monteringsamlingen er påkrævet til brug af de dyser, der følger med en anden model, HW112 eller HW121.

Rørrensesæt (10 m/15 m)

► Fig.53

Til rengøring og fjernelse af blokeringer i vandrør og nedløbsrør.

⚠️ FORSIGTIG: Vær især opmærksom på vandstrålen, når du bruger rørrensesættet. En højintens vandstråle sprøjtes bagud. Sørg for, at indsætte slangehovedet i røret, før der trykkes på udløseren.

Højtryksforlængerslange (5 m/8 m/10 m)

► Fig.54

Forlængerslange til at koble højtryksrensens kabinet til udløsergrebet.

ΠΡΟΕΙΔΟΠΟΙΗΣΗ

- Τα μηχανήματα δεν πρέπει να χρησιμοποιούνται από παιδιά. Τα παιδιά θα πρέπει να επιτηρούνται για να εξασφαλιστεί ότι δεν παίζουν με το μηχάνημα.
- Το μηχάνημα αυτό δεν προορίζεται για χρήση από άτομα (συμπεριλαμβανομένων των παιδιών) με μειωμένες σωματικές, αισθητήριες ή διανοητικές ικανότητες, ή από άτομα που δεν έχουν πείρα και γνώσεις.
- Αυτό το μηχάνημα έχει σχεδιαστεί για χρήση με το καθαριστικό μέσο που παρέχεται ή που συστήνει ο κατασκευαστής. Η χρήση άλλων καθαριστικών μέσων ή χημικών μπορεί να επηρεάσει αρνητικά την ασφάλεια του μηχανήματος.
- Οι δέσμες υψηλής πίεσης μπορεί να είναι επικίνδυνες αν χρησιμοποιούνται λανθασμένα. Η δέσμη δεν πρέπει να κατευθύνεται σε άτομα, σε ηλεκτροφόρο ηλεκτρικό εξοπλισμό ή στο ίδιο το μηχάνημα.
- Μη χρησιμοποιείτε το μηχάνημα κοντά σε ανθρώπους, εκτός αν αυτοί φορούν προστατευτικό ρουχισμό.
- Μην κατευθύνετε τη δέσμη επάνω σας ή προς άλλους, για να καθαρίσετε ρούχα ή υποδήματα.
- Κίνδυνος έκρηξης - Μην ψεκάζετε εύφλεκτα υγρά.
- Τα καθαριστικά μηχανήματα υψηλής πίεσης δεν πρέπει να χρησιμοποιούνται από παιδιά ή ανεκπαιδευτο προσωπικό.
- Οι εύκαμπτοι σωλήνες υψηλής πίεσης, οι συνδέσεις και οι συζεύξεις είναι σημαντικοί για την ασφάλεια του μηχανήματος. Να χρησιμοποιείτε μόνο εύκαμπτους σωλήνες, συνδέσεις και συζευκτικές που συνιστά ο κατασκευαστής.
- Για να διατηρήσετε την ασφάλεια του μηχανήματος, να χρησιμοποιείτε μόνο γνήσια ανταλλακτικά από τον κατασκευαστή ή ανταλλακτικά που έχει εγκρίνει ο κατασκευαστής.
- Να βεβαιώνετε πάντα ότι έχετε σβήσει το εργαλείο και έχετε βγάλει τις κασέτες μπαταριών πριν εκτελέσετε οποιαδήποτε εργασία στο εργαλείο.
- Μη χρησιμοποιείτε το μηχάνημα αν τα σημαντικά μέρη του μηχανήματος παρουσιάζουν ζημιά, π.χ. συσκευές ασφάλειας, εύκαμπτοι σωλήνες υψηλής πίεσης, πιστόλι με σκανδάλη.

- Να αφαιρείτε πάντα τις κασέτες μπαταριών όταν αφήνετε το μηχάνημα ανεπιτήρητο.
- Συμμορφωθείτε με τις απαιτήσεις της τοπικής εταιρίας παροχής νερού.
- Για ευρωπαϊκές χώρες:
Σύμφωνα με το πρότυπο EN12729 (BA), η συσκευή μπορεί επίσης να συνδεθεί με την κεντρική παροχή πόσιμου νερού εάν τοποθετηθεί βαλβίδα αποφυγής αντίστροφης ροής με δυνατότητα αποστράγγισης στον εύκαμπτο σωλήνα παροχής.

ΠΡΟΔΙΑΓΡΑΦΕΣ

Μοντέλο:		DHW080
Μέγ. όγκος τροφοδοσίας ^{*1}		6,3 L/min
Παροχή νερού ^{*2}	Τρόπος υψηλής λειτουργίας	5,5 L/min
	Τρόπος χαμηλής λειτουργίας	4,0 L/min
Μέγ. επιτρεπτή πίεση		8,0 MPa
Πίεση εργασίας ^{*2}	Τρόπος υψηλής λειτουργίας	5,5 MPa
	Τρόπος χαμηλής λειτουργίας	3,0 MPa
Μέγ. πίεση τροφοδοσίας		1,0 MPa
Μέγ. θερμοκρασία τροφοδοσίας		40°C
Μέγ. ύψος αναρρόφησης		1 m
Ονομαστική τάση		D.C. 36 V
Διαστάσεις (Μ x Π x Υ)		438 mm x 218 mm x 269 mm
Βάρος		7,1 - 7,7 kg

*1: Όταν χρησιμοποιείται η βούρτσα πλυσίματος.

*2: Όταν χρησιμοποιείται η λόγχη ψεκασμού.

- Λόγω του συνεχιζόμενου προγράμματος έρευνας και ανάπτυξης, οι προδιαγραφές αυτές υπόκεινται σε αλλαγές χωρίς προειδοποίηση.
- Τα τεχνικά χαρακτηριστικά μπορεί να διαφέρουν από χώρα σε χώρα.
- Το βάρος μπορεί να διαφέρει ανάλογα με τα προσαρτήματα, συμπεριλαμβάνοντας την κασέτα μπαταριών. Ο ελαφρύτερος και ο βαρύτερος συνδυασμός, σύμφωνα με τη διαδικασία ΕΡΤΑ 01/2014, παρουσιάζονται στον πίνακα.

Ισχύουσα κασέτα μπαταριών και φορτιστής

Κασέτα μπαταρίας	BL1815N / BL1820 / BL1820B / BL1830 / BL1830B / BL1840 / BL1840B / BL1850 / BL1850B / BL1860B
Φορτιστής	DC18RC / DC18RD / DC18RE / DC18SD / DC18SE / DC18SF / DC18SH

- Ορισμένες από τις κασέτες και τους φορτιστές μπαταριών που αναγράφονται παραπάνω ίσως να μην είναι διαθέσιμοι, ανάλογα με την τοποθεσία κατοικίας σας.

▲ΠΡΟΕΙΔΟΠΟΙΗΣΗ: Να χρησιμοποιείτε μόνο τις κασέτες μπαταριών και τους φορτιστές που παρατίθενται ανωτέρω. Η χρήση οποιασδήποτε άλλης κασέτας μπαταριών ή φορτιστή μπορεί να προκαλέσει τραυματισμό ή/και πυρκαγιά.

Σύμβολα

Παρακάτω παρουσιάζονται τα σύμβολα που χρησιμοποιούνται για τον εξοπλισμό. Βεβαιωθείτε ότι κατανοείτε τη σημασία τους πριν από τη χρήση.



Διαβάστε το εγχειρίδιο οδηγιών.



Απαιτούνται ιδιαίτερη φροντίδα και προσοχή.



Μόνο για τις χώρες της ΕΕ
Μην απορριπείτε ηλεκτρικό εξοπλισμό ή την μπαταρία μαζί με τα οικιακά απορρίμματα! Σύμφωνα με τις Ευρωπαϊκές Οδηγίες για τον απόβλητο ηλεκτρικό και ηλεκτρονικό εξοπλισμό και τις μπαταρίες και συσσωρευτές και τις απόβλητες μπαταρίες και συσσωρευτές και την ενσωμάτωσή τους σύμφωνα με την εθνική νομοθεσία, ο ηλεκτρικός εξοπλισμός και η μπαταρία και τα πακέτα μπαταριών που έχουν φτάσει το τέλος ζωής τους πρέπει να συλλέγονται ξεχωριστά και να επιστρέφονται σε εγκαταστάσεις περιβαλλοντικά συμβατής ανακύκλωσης.



Μη συνδέετε σε βρύση πόσιμο νερό.



Μην κατευθύνετε τη δέσμη προς άτομα, συμπεριλαμβανομένου και του εαυτού σας, ζώων και ηλεκτροφόρου ηλεκτρικού εξοπλισμού.

Προοριζόμενη χρήση

Το εργαλείο αυτό προορίζεται για τον καθαρισμό επίμονης βρομιάς με τη χρήση δέσμης νερού. Το εργαλείο αυτό προορίζεται για οικιακή χρήση.

Θόρυβος

Το τυπικό Α επίπεδο καταμετρημένου θορύβου καθορίζεται σύμφωνα με το EN60335-2-79: Στάθμη ηχητικής πίεσης (L_{pA}): 70,9 dB (A) Αβεβαιότητα (K): 3,6 dB (A)

Η ένταση θορύβου υπό συνθήκες εργασίας μπορεί να υπερβεί τα 80 dB (A).

ΠΑΡΑΤΗΡΗΣΗ: Η δηλωμένη τιμή(ές) εκπομπής θορύβου έχει μετρηθεί σύμφωνα με την πρότυπη μέθοδο δοκιμής και μπορεί να χρησιμοποιηθεί για τη σύγκριση ενός εργαλείου με κάποιο άλλο.

ΠΑΡΑΤΗΡΗΣΗ: Η δηλωμένη τιμή(ές) εκπομπής θορύβου μπορεί να χρησιμοποιηθεί και στην προκαταρκτική αξιολόγηση της έκθεσης.

▲ΠΡΟΕΙΔΟΠΟΙΗΣΗ: Να φοράτε ωτοασπίδες.

▲ΠΡΟΕΙΔΟΠΟΙΗΣΗ: Η εκπομπή θορύβου κατά τη χρήση του ηλεκτρικού εργαλείου σε πραγματικές συνθήκες μπορεί να διαφέρει από τη δηλωμένη τιμή(ές) ανάλογα με τους τρόπους χρήσης του εργαλείου, ιδιαίτερα το είδος του τεμαχίου εργασίας που υπόκειται επεξεργασία.

▲ΠΡΟΕΙΔΟΠΟΙΗΣΗ: Φροντίστε να λάβετε τα κατάλληλα μέτρα προστασίας του χειριστή βάσει ενός υπολογισμού της έκθεσης σε πραγματικές συνθήκες χρήσης (λαμβάνοντας υπόψη όλες τις συνιστώσες του κύκλου λειτουργίας όπως τους χρόνους που το εργαλείο είναι εκτός λειτουργίας και όταν βρίσκεται σε αδρανή λειτουργία πέραν του χρόνου ενεργοποίησης).

Κραδασμός

Η ολική τιμή δόνησης (άθροισμα τρι-αξονικού διανύσματος) καθορίζεται σύμφωνα με το EN60335-2-79: Εκπομπή δόνησης ($a_{h,r}$): 2,5 m/s² ή λιγότερο Αβεβαιότητα (K): 1,5 m/s²

ΠΑΡΑΤΗΡΗΣΗ: Η δηλωμένη τιμή(ές) συνολικών κραδασμών έχει μετρηθεί σύμφωνα με την πρότυπη μέθοδο δοκιμής και μπορεί να χρησιμοποιηθεί για τη σύγκριση ενός εργαλείου με κάποιο άλλο.

ΠΑΡΑΤΗΡΗΣΗ: Η δηλωμένη τιμή(ές) συνολικών κραδασμών μπορεί να χρησιμοποιηθεί και στην προκαταρκτική αξιολόγηση της έκθεσης.

▲ΠΡΟΕΙΔΟΠΟΙΗΣΗ: Η εκπομπή κραδασμών κατά τη χρήση του ηλεκτρικού εργαλείου σε πραγματικές συνθήκες μπορεί να διαφέρει από τη δηλωμένη τιμή(ές) εκπομπής ανάλογα με τους τρόπους χρήσης του εργαλείου, ιδιαίτερα το είδος του τεμαχίου εργασίας που υπόκειται επεξεργασία.

▲ΠΡΟΕΙΔΟΠΟΙΗΣΗ: Φροντίστε να λάβετε τα κατάλληλα μέτρα προστασίας του χειριστή βάσει ενός υπολογισμού της έκθεσης σε πραγματικές συνθήκες χρήσης (λαμβάνοντας υπόψη όλες τις συνιστώσες του κύκλου λειτουργίας όπως τους χρόνους που το εργαλείο είναι εκτός λειτουργίας και όταν βρίσκεται σε αδρανή λειτουργία πέραν του χρόνου ενεργοποίησης).

Δήλωση συμμόρφωσης ΕΚ

Μόνο για χώρες της Ευρώπης

Η δήλωση συμμόρφωσης ΕΚ περιλαμβάνεται ως Παράρτημα Α στο παρόν εγχειρίδιο οδηγιών.

ΣΗΜΑΝΤΙΚΕΣ ΠΡΟΕΙΔΟΠΟΙΗΣΕΙΣ ΑΣΦΑΛΕΙΑΣ

▲ΠΡΟΕΙΔΟΠΟΙΗΣΗ: Διαβάστε όλες τις προειδοποιήσεις για την ασφάλεια και όλες τις οδηγίες. Η μη τήρηση των προειδοποιήσεων και οδηγιών μπορεί να καταλήξει σε ηλεκτροπληξία, πυρκαγιά ή/και σοβαρό τραυματισμό.

Φυλάξτε όλες τις προειδοποιήσεις και τις οδηγίες για μελλοντική παραπομπή.

ΠΡΟΕΙΔΟΠΟΙΗΣΗ - Όταν χρησιμοποιείτε αυτό το προϊόν, πρέπει πάντα να τηρείτε τις βασικές προφυλάξεις, περιλαμβάνοντας τις εξής: Ασφάλεια στο χώρο εργασίας

1. Να κρατάτε όλα τα άτομα μακριά από την περιοχή εργασίας.
2. Μην τεντώνετε υπερβολικά και μην στέκεστε επάνω σε ασταθή στηρίγματα. Να κρατάτε πάντα καλό πάτημα και την ισορροπία σας.
3. Να τοποθετείτε πάντα το κυρίως τμήμα του πλυστικού μηχανήματος υψηλής πίεσης σε επίπεδη και σταθερή επιφάνεια. Να αποφεύγετε τις περιοχές όπου το εκτοξευμένο νερό θα τρέξει ή θα λιμνάσει.

4. Πριν τον καθαρισμό, ελέγξτε τον περιβάλλοντα χώρο και τα αντικείμενα προς καθαρισμό. Οι δέσμες υψηλής πίεσης μπορούν να αποξέσουν βαφές ή άλλες επιφανειακές επεξεργασίας, συμπεριλαμβάνοντας τοξικά χημικά. Λάβετε προληπτικά μέτρα, αν απαιτείται.
5. Προσέχετε να μη σκοντάψετε στον εύκαμπτο σωλήνα του πλυστικού μηχανήματος υψηλής πίεσης. Να γνωρίζετε πάντα τη διαμόρφωση του εύκαμπτου σωλήνα κατά τη λειτουργία.
6. Κατά τη χρήση, θα βγει μια μικρή ποσότητα νερού από το κάτω μέρος του πλυστικού μηχανήματος υψηλής πίεσης. Μην τοποθετείτε το πλυστικό μηχάνημα υψηλής πίεσης σε περιοχές που δεν θέλετε να βραχούν.

Προσωπική ασφάλεια

1. Για προστασία από τη δέσμη και τα αντικείμενα που εκτοξεύονται από τη δέσμη, οι χειριστές θα πρέπει να φορούν κατάλληλο ρουχισμό, όπως μπότες ασφαλείας, γάντια ασφαλείας, κράνη ασφαλείας με προσωπίδα, προστασία ακοής, κτλ.
2. Μη χρησιμοποιείτε το πλυστικό μηχάνημα υψηλής πίεσης κοντά σε ανθρώπους, εκτός αν αυτοί φορούν προστατευτικό ρουχισμό.
3. Για να μειώσετε τον κίνδυνο τραυματισμού, απαιτείται στενή επιτήρηση όταν το προϊόν χρησιμοποιείται κοντά σε παιδιά.
4. Αν γίνει σύνδεση με σύστημα πόσιμου νερού, το σύστημα πρέπει να προστατεύεται από την αντίστροφη ροή.
5. Το νερό που έχει περάσει από το μηχανισμό αποτροπής αντίστροφης ροής θεωρείται μη πόσιμο.

Ηλεκτρική ασφάλεια

1. Μην αγγίζετε ποτέ τις κασέτες μπαταριών με βρεγμένα χέρια.
2. Μη χρησιμοποιείτε το μηχάνημα αν τα σημαντικά μέρη του μηχανήματος παρουσιάζουν ζημιά, π.χ. συσκευές ασφαλείας, εύκαμπτοι σωλήνες υψηλής πίεσης ή το πιστόλι με σκανδάλη.

Χρήση και φροντίδα ηλεκτρικού εργαλείου

1. Διαβάστε όλες τις οδηγίες πριν χρησιμοποιήσετε το προϊόν.
2. Να γνωρίζετε πώς να διακόπτετε το πλυστικό μηχάνημα υψηλής πίεσης και να εκτονώνετε την πίεση γρήγορα. Να είστε εκτενώς εξοικειωμένοι με τα χειριστήρια.
3. Οι δέσμες υψηλής πίεσης μπορεί να είναι επικίνδυνες αν χρησιμοποιούνται λανθασμένα. Η δέσμη δεν πρέπει να κατευθύνεται σε άτομα, σε ηλεκτροφόρο ηλεκτρικό εξοπλισμό ή στο ίδιο το μηχάνημα.
4. Το μηχάνημα αυτό δεν προορίζεται για χρήση από άτομα (συμπεριλαμβανομένων των παιδιών) με μειωμένες σωματικές, αισθητήριες ή διανοητικές ικανότητες, ή από άτομα που δεν έχουν πείρα και γνώσεις.
5. Τα παιδιά θα πρέπει να επιτηρούνται για να εξασφαλιστεί ότι δεν παίζουν με τη συσκευή.
6. Μην ψεκάζετε εύφλεκτα ή/και τοξικά υγρά. Αυτό μπορεί να προκαλέσει έκρηξη, δηλητηρίαση ή ζημιά στο μηχάνημα.
7. Μην κατευθύνετε τη δέσμη επάνω σας ή προς άλλους, για να καθαρίσετε ρούχα ή υποδήματα.
8. Οι εύκαμπτοι σωλήνες υψηλής πίεσης, οι συνδέσεις και οι συζεύξεις είναι σημαντικοί για την ασφάλεια του μηχανήματος. Να χρησιμοποιείτε είτε μόνο εύκαμπτους σωλήνες, συνδέσεις και συζευκτήρες που συνιστά ο κατασκευαστής.
9. Ακολουθήστε τις οδηγίες όταν αλλάζετε εξαρτήματα.
10. Να φροντίζετε ώστε οι χειρολαβές να διατηρούνται στεγνές, καθαρές και χωρίς λάδι ή γράσο.
11. Να είστε σε ετοιμότητα - προσέχετε τι κάνετε.
12. Μη χρησιμοποιείτε το προϊόν όταν είσατε κουρασμένοι ή υπό την επήρεια αλκοόλ ή ναρκωτικών ουσιών.
13. Μη λειτουργείτε το πλυστικό μηχάνημα υψηλής πίεσης χωρίς νερό για περισσότερο από ένα λεπτό. Θα προκληθεί ζημιά στο μοτέρ, έχοντας ως αποτέλεσμα τη δυσλειτουργία.
14. Να απενεργοποιείτε πάντα την ηλεκτρική ισχύ και να κλείνετε την κεντρική παροχή νερού όταν αφήνετε το πλυστικό μηχάνημα υψηλής πίεσης ανεπιτήρητο.
15. Να προσέχετε για τυχόν κλότσημα. Το πιστόλι με σκανδάλη αναπηδά όταν εκτοξεύεται δέσμη υψηλής πίεσης από το ακροφύσιο. Κρατήστε σταθερά το πιστόλι με σκανδάλη για να αποφευχθούν οι τραυματισμοί κατά λάθος.
16. Ελέγξτε για κατεστραμμένα ή φθαρμένα μέρη πριν από τη χρήση. Επίσης, βεβαιωθείτε ότι ο εύκαμπτος σωλήνας είναι σωστά συνδεδεμένος και δεν υπάρχει διαρροή κατά τη λειτουργία. Η λειτουργία του μηχανήματος με λειτουργικά ελαττώματα μπορεί να προκαλέσει ατύχημα.
17. Αυτό το μηχάνημα έχει σχεδιαστεί για χρήση με το καθαριστικό μέσο που παρέχεται ή που συστήνει ο κατασκευαστής. Η χρήση άλλων καθαριστικών μέσων ή χημικών μπορεί να επηρεάσει αρνητικά την ασφάλεια του μηχανήματος.
18. Μην τραβάτε τον εύκαμπτο σωλήνα για να μεταφέρετε το κυρίως τμήμα του πλυστικού μηχανήματος υψηλής πίεσης. Αυτό θα προκαλέσει ζημιά στον εύκαμπτο σωλήνα και τα συνδετικά μέρη και θα έχει ως αποτέλεσμα το βραχυκύκλωμα ή τα λειτουργικά ελαττώματα.
19. Μην τοποθετείτε βαριά αντικείμενα επάνω στον εύκαμπτο σωλήνα και μην αφήνετε τα οχήματα να οδηγούν επάνω από αυτόν.
20. Να εκτονώνετε πάντα την παραμένουσα πίεση στο πιστόλι με σκανδάλη πριν αποσυνδέσετε τον εύκαμπτο σωλήνα.
21. Όταν συνδέετε τον εύκαμπτο σωλήνα στην κεντρική παροχή νερού, να τηρείτε τις οδηγίες της τοπικής σας αρχής ή επιχείρησης ύδρευσης.
22. Αν το πλυστικό μηχάνημα υψηλής πίεσης πέσει κάτω ή χτυπήσει επάνω σε ένα σκληρό αντικείμενο, βεβαιωθείτε να ελέγξετε για ζημιά και ραγίσματα. Αν χρησιμοποιήσετε το πλυστικό μηχάνημα υψηλής πίεσης όταν έχει υποστεί ζημιά, μπορεί να παραχθεί καπνός, πυρκαγιά ή να προκληθεί ηλεκτροπληξία, γεγονός που έχει ως αποτέλεσμα προσωπικό τραυματισμό.
23. Κατά τη χρήση καθαριστικών υψηλής πίεσης, μπορεί να σχηματιστούν αερολύματα. Η εισπνοή των αερολυμάτων μπορεί να είναι επικίνδυνη για την υγεία σας.

24. **Ανάλογα με την εφαρμογή, μπορεί να χρησιμοποιηθούν θωρακισμένα ακροφύσια για καθαρισμό με υψηλή πίεση, τα οποία θα μειώσουν σημαντικά την έκλυση υδάτινων αερολυμάτων. Ωστόσο, δεν επιτρέπουν όλες η εφαρμογές τη χρήση μιας τέτοιας συσκευής. Αν δεν υπάρχουν θωρακισμένα ακροφύσια για την προστασία από αερολύματα, μπορεί να χρειαστεί αναπνευστική μάσκα τάξης FFP 2 ή ισοδύναμη, ανάλογα με το περιβάλλον καθαρισμού.**
25. **Να αποφεύγετε την αθέλητη ενεργοποίηση του εργαλείου. Βεβαιωθείτε ότι ο διακόπτης βρίσκεται στην ανενεργή θέση πριν συνδέσετε την κασέτα μπαταριών ή τη σκευή ή μεταφέρετε τη συσκευή. Αν μεταφέρετε τη συσκευή με το δαχτυλό σας στο διακόπτη ή αν ενεργοποιήσετε τη συσκευή όταν ο διακόπτης είναι στην ενεργή θέση, μπορεί να προκληθούν ατυχήματα.**
26. **Να αποσυνδέετε την κασέτα μπαταριών από τη συσκευή πριν κάνετε οποιοσδήποτε ρυθμίσεις ή αλλαγές εξαρτημάτων και πριν αποθηκεύετε τη συσκευή. Τέτοια προληπτικά μέτρα ασφαλείας μειώνουν τον κίνδυνο τυχαίας ενεργοποίησης της συσκευής.**
27. **Μην τροποποιήσετε και μην επιχειρήσετε να επισκευάσετε τη συσκευή ή την κασέτα μπαταριών, εκτός αν υποδεικνύεται στις οδηγίες χρήσης και φροντίδας.**
28. **ΠΡΟΕΙΔΟΠΟΙΗΣΗ - Κίνδυνος έγχυσης ή τραυματισμού - Μην κατευθύνετε την εκροή ατμού σε ανθρώπους.**

Χρήση και φροντίδα μπαταριών

1. **Να επαναφορτίζετε τις μπαταρίες μόνο με το φορτιστή που καθορίζεται από τον κατασκευαστή. Ένας φορτιστής που είναι κατάλληλος για μια συγκεκριμένη μπαταρία μπορεί να δημιουργήσει κίνδυνο πυρκαγιάς όταν χρησιμοποιείται με μια άλλη μπαταρία.**
2. **Να χρησιμοποιείτε ηλεκτρικά εργαλεία μόνο με ειδικά καθορισμένες μπαταρίες. Η χρήση κάθε άλλης μπαταρίας μπορεί να δημιουργήσει κίνδυνο τραυματισμού ή πυρκαγιάς.**
3. **Όταν δεν χρησιμοποιείται η κασέτα μπαταριών, διατηρήστε τη μακριά από άλλα μεταλλικά αντικείμενα, όπως συνδετήρες, κέρματα, κλειδιά, καρφιά, βίδες ή άλλα μικρά μεταλλικά αντικείμενα, με τα οποία μπορεί να δημιουργηθεί σύνδεση από τον έναν ακροδέκτη στον άλλον. Το βραχυκύκλωμα των ακροδεκτών της μπαταρίας μπορεί να προκαλέσει εγκαύματα ή πυρκαγιά.**
4. **Υπό συνθήκες κατάχρησης, μπορεί να εξαχθεί υγρό από την μπαταρία. Να αποφεύγετε την επαφή. Εάν συμβεί επαφή κατά λάθος, εκπλύνετε με νερό. Εάν το υγρό έρθει σε επαφή με τα μάτια, αναζητήστε και ιατρική βοήθεια. Το υγρό που εξάγεται από την μπαταρία μπορεί να προκαλέσει ερεθισμό ή εγκαύματα.**
5. **Μη χρησιμοποιείτε μια κασέτα μπαταριών ή εργαλείο που έχει καταστραφεί ή τροποποιηθεί. Οι κατεστραμμένες ή τροποποιημένες μπαταρίες μπορεί να παρουσιάσουν απρόβλεπτη συμπεριφορά που έχει ως αποτέλεσμα πυρκαγιά, έκρηξη ή κίνδυνο τραυματισμού.**
6. **Μην εκθέτετε την κασέτα μπαταριών ή το εργαλείο σε πυρκαγιά ή υπερβολικά υψηλή θερμοκρασία. Η έκθεση στην πυρκαγιά ή στη θερμοκρασία άνω των 130 °C μπορεί να προκαλέσει έκρηξη.**

7. **Ακολουθήστε όλες τις οδηγίες φόρτισης και μην φορτίσετε την κασέτα μπαταριών ή το εργαλείο εκτός του θερμοκρασιακού εύρους που καθορίζεται στις οδηγίες. Η λαθασμένη φόρτιση ή η φόρτιση σε θερμοκρασίες εκτός του καθορισμένου εύρους μπορεί να προκαλέσει ζημιά στην μπαταρία και να αυξήσει τον κίνδυνο πυρκαγιάς.**

Σέρβις

1. **Να τηρείτε τις οδηγίες συντήρησης που καθορίζονται στο εγχειρίδιο.**
2. **Για να διατηρήσετε την ασφάλεια του μηχανήματος, να χρησιμοποιείτε μόνο γνήσια ανταλλακτικά από τον κατασκευαστή ή ανταλλακτικά που έχει εγκρίνει ο κατασκευαστής.**
3. **Να φροντίζετε ώστε το σέρβις του πλυστικού μηχανήματος υψηλής πίεσης που διαθέτε να γίνεται από αρμόδιο επαγγελματία χρησιμοποιώντας μόνο γνήσια ανταλλακτικά. Έτσι θα είστε σίγουροι για τη διατήρηση της ασφάλειας του πλυστικού μηχανήματος υψηλής πίεσης.**
4. **Στην περίπτωση βλάβης ή δυσλειτουργίας του πλυστικού μηχανήματος υψηλής πίεσης, απενεργοποιήστε το αμέσως και βγάλτε την(ις) κασέτα(ες) μπαταριών. Επικοινωνήστε με τον τοπικό σας αντιπρόσωπο ή κέντρο εξυπηρέτησης.**

Πρόσθετες προειδοποιήσεις ασφαλείας

1. **Συμμορφωθείτε με τις απαιτήσεις της τοπικής εταιρίας παροχής νερού.**
2. **Μην χρησιμοποιείτε το εργαλείο όταν υπάρχει κίνδυνος για κεραυνούς.**
3. **Όταν χρησιμοποιείτε το εργαλείο σε λασπώδη έδαφος, βρεγμένες κλίσεις ή ολισθηρό μέρος, να προσέχετε το πάτημά σας.**
4. **Αποφεύγετε να εργάζεστε σε κακό περιβάλλον, όπου αναμένεται αυξημένη κόπωση του χρήστη.**
5. **Μην αλλάζετε την μπαταρία στη βροχή.**
6. **Μην βυθίζετε το εργαλείο σε λακκούβα.**
7. **Μην αφήνετε το εργαλείο χωρίς επίτηρηση σε εξωτερικούς χώρους στη βροχή.**
8. **Όταν βρεγμένα φύλλα ή χώμα κολλούν στο στόμιο αναρρόφησης (παράθυρο εξαερισμού) λόγω βροχής, αφαιρέστε τα.**
9. **Μην πλένετε το εργαλείο με νερό υψηλής πίεσης.**
10. **Όταν πλένετε το εργαλείο, μην αφήνετε το νερό να εισέλθει στον ηλεκτρικό μηχανισμό, όπως η μπαταρία, το μοτέρ και τους πόλους.**
11. **Όταν αποθηκεύετε το εργαλείο, να αποφεύγετε την άμεση ηλιοβολή και τη βροχή, και να το αποθηκεύετε σε ένα μέρος όπου δεν υπάρχει πολύ ζέστη και υγρασία.**
12. **Εκτελέστε τις εργασίες επιθεώρησης και συντήρησης σε ένα μέρος όπου μπορεί να αποφευχθεί η βροχή.**
13. **Μετά τη χρήση του εργαλείου, αφαιρέστε το προσκολλημένο χώμα και στεγνώστε το εργαλείο εντελώς πριν την αποθήκευση. Ανάλογα με την εποχή ή την περιοχή, υπάρχει κίνδυνος δυσλειτουργίας λόγω παγώματος.**

14. Μην βρέχετε τον πόλο της μπαταρίας με υγρό, όπως το νερό, και μη βυθίζετε την μπαταρία σε υγρό. Μην αφήνετε την μπαταρία στη βροχή, και μην φορτίζετε, χρησιμοποιείτε ή αποθηκεύετε την μπαταρία σε νωπό ή βρεγμένο μέρος. Αν ο πόλος βρεχτεί ή εισέλθει υγρό στο εσωτερικό της μπαταρίας, η μπαταρία μπορεί να βραχυκυκλώσει και να υπάρξει κίνδυνος υπερθέρμανσης, πυρκαγιάς ή έκρηξης.
15. Αφού αφαιρέσετε την μπαταρία από το εργαλείο ή τον φορτιστή, φροντίστε να συνδέσετε το κάλυμμα μπαταριών στην μπαταρία και να την αποθηκεύσετε σε στεγνό μέρος.
16. Μην αλλάζετε την μπαταρία με βρεγμένα χέρια.
 1. Συμφορτωθείτε με τις απαιτήσεις της τοπικής εταιρίας παροχής νερού.
 2. Μην χρησιμοποιείτε ηλεκτρική παροχή με καλώδιο, όπως προσαρμόζετε μπαταριών ή φορητή ηλεκτρική τροφοδότηση, με αυτή τη συσκευή. Το καλώδιο μιας τέτοιας ηλεκτρικής παροχής μπορεί να δυσκολέψει τη λειτουργία και να έχει ως αποτέλεσμα ατομικό τραυματισμό.
6. Μην αποθηκεύετε το εργαλείο και την κασέτα μπαταριών σε τοποθεσίες όπου η θερμοκρασία μπορεί να φτάσει ή να ξεπεράσει τους 50°C.
7. Μην καίτε την κασέτα μπαταριών ακόμη και εάν έχει σοβαρή ζημιά ή είναι εντελώς φθαρμένη. Η κασέτα μπαταριών μπορεί να εκραγεί στη φωτιά.
8. Προσέχετε να μη ρίξετε κάτω ούτε να χτυπήσετε την μπαταρία.
9. Μη χρησιμοποιείτε μπαταρία που έχει υποστεί ζημία.
10. Οι μπαταρίες ιόντων λιθίου που περιέχονται υπόκεινται στις απαιτήσεις της νομοθεσίας για επικίνδυνα αγαθά.

Για εμπορικές μεταφορές, για παράδειγμα από τρίτα μέρη, πρέπει να τηρούνται οι διαμεταφορές, οι ειδικές απαιτήσεις στη συσκευασία και η επισήμανση. Για προετοιμασία του στοιχείου που αποστέλλεται, είναι απαραίτητο να συμμορφωθείτε έναν ειδικό για επικίνδυνα υλικά. Επίσης, τηρήστε τους ειδικούς, πιο αναλυτικούς εθνικούς κανονισμούς. Καλύψτε με αυτοκόλλητη ταινία ή κρύψτε τις ανοικτές επαφές και συσκευάστε την μπαταρία με τρόπο που να μην μπορεί να μετακινείται μέσα στη συσκευασία.

ΦΥΛΑΞΤΕ ΤΙΣ ΟΔΗΓΙΕΣ ΑΥΤΕΣ.

▲ΠΡΟΕΙΔΟΠΟΙΗΣΗ: ΜΗΝ επιτρέψετε στην άνεση ή στην εξοικείωσή σας με το προϊόν (που αποκτήθηκε από επανειλημμένη χρήση) να αντικαταστήσει την αυστηρή τήρηση των κανόνων ασφαλείας του παρόντος εργαλείου.

Η ΛΑΝΘΑΣΜΕΝΗ ΧΡΗΣΗ ή η αμέλεια να ακολουθήσετε τους κανόνες ασφαλείας που διατυπώνονται στο παρόν εγχειρίδιο οδηγών μπορεί να προκαλέσει σοβαρό προσωπικό τραυματισμό.

Σημαντικές οδηγίες ασφαλείας για κασέτα μπαταριών

1. Πριν χρησιμοποιήσετε την κασέτα μπαταριών, διαβάστε όλες τις οδηγίες και σημειώσεις προφύλαξης (1) στον φορτιστή μπαταριών, (2) στην μπαταρία και (3) στο προϊόν που χρησιμοποιείτε την μπαταρία.
2. Μην αποσυναρμολογήσετε την κασέτα μπαταριών.
3. Εάν ο χρόνος λειτουργίας έχει γίνει υπερβολικά βραχύς, σταματήστε τη λειτουργία αμέσως. Αλλιώς, μπορεί να έχει ως αποτέλεσμα κίνδυνο υπερθέρμανσης, πιθανά εγκαύματα ή ακόμη και έκρηξη.
4. Εάν ηλεκτρολύτης μπει στα μάτια σας, ξεπλύνετε τα με καθαρό νερό και ζητήστε ιατρική φροντίδα αμέσως. Αλλιώς, μπορεί να έχει ως αποτέλεσμα απώλεια της όρασης σας.
5. Μη βραχυκυκλώνετε την κασέτα μπαταριών:
 - (1) Μην αγγίζετε τους πόλους με οτιδήποτε αγώγιμο υλικό.
 - (2) Αποφεύγετε να αποθηκεύετε την κασέτα μπαταριών μέσα σε ένα δοχείο μαζί με άλλα μεταλλικά αντικείμενα όπως καρφιά, νομίσματα, κλπ.
 - (3) Μην εκθέτετε την κασέτα μπαταριών στο νερό ή στη βροχή.

Ένα βραχυκύκλωμα μπαταρίας μπορεί να προκαλέσει μεγάλη ροή ρεύματος, υπερθέρμανση, πιθανά εγκαύματα ακόμη και σοβαρή βλάβη.

11. Όταν απορρίπτετε την κασέτα μπαταριών, αφαιρέστε την από το εργαλείο και διαθέστε την σε ένα ασφαλές μέρος. Τηρήστε τους τοπικούς κανονισμούς που σχετίζονται με τη διάθεση της μπαταρίας.
12. Χρησιμοποιήστε τις μπαταρίες μόνο με τα προϊόντα που καθορίζει η Makita. Αν τοποθετήσετε τις μπαταρίες σε μη συμβατά προϊόντα μπορεί να έχει ως αποτέλεσμα πυρκαγιά, υπερβολική θερμότητα, έκρηξη ή διαρροή ηλεκτρολύτη.
13. Αν δεν χρησιμοποιείτε το εργαλείο για μεγάλο χρονικό διάστημα, πρέπει να βγάλετε την μπαταρία από το εργαλείο.

ΦΥΛΑΞΤΕ ΤΙΣ ΟΔΗΓΙΕΣ ΑΥΤΕΣ.

▲ΠΡΟΣΟΧΗ: Να χρησιμοποιείτε μόνο γνήσιες μπαταρίες της Makita. Η χρήση μη γνήσιων μπαταριών Makita, ή μπαταριών που έχουν τροποποιηθεί, μπορεί να έχει ως αποτέλεσμα τη ρήξη της μπαταρίας, προκαλώντας πυρκαγιά, προσωπικό τραυματισμό και βλάβη. Επίσης, θα ακυρωθεί η εγγύηση της Makita για το εργαλείο και φορτιστή Makita.

Συμβουλές για τη διατήρηση της μέγιστης ζωής μπαταρίας

1. Φορτίζετε την κασέτα μπαταριών πριν από την πλήρη αποφόρτίσή της. Πάντοτε να σταματάτε τη λειτουργία του εργαλείου και να φορτίζετε την κασέτα μπαταριών όταν παρατηρείτε μειωμένη ισχύ εργαλείου.
2. Ποτέ μην επαναφορτίζετε μια πλήρως φορτισμένη κασέτα μπαταριών. Η υπερφόρτιση μειώνει την ωφέλιμη ζωή της μπαταρίας.
3. Να φορτίζετε την κασέτα μπαταριών σε θερμοκρασία δωματίου, δηλαδή στους 10°C έως 40°C. Αφήστε μια θερμή κασέτα μπαταριών να κρυώσει πριν την φορτίσετε.
4. Να φορτίζετε την κασέτα μπαταριών εάν δεν τη χρησιμοποιείτε για μεγάλη χρονική περίοδο (περισσότερο από έξι μήνες).

ΠΕΡΙΓΡΑΦΗ ΛΕΙΤΟΥΡΓΙΑΣ

▲ ΠΡΟΣΟΧΗ: Να φροντίζετε πάντα για την απενεργοποίηση του εργαλείου και την αφαίρεση της κασέτας μπαταρίας, πριν από οποιαδήποτε ρύθμιση ή έλεγχο της λειτουργίας του.

Τοποθέτηση ή αφαίρεση της κασέτας μπαταριών

▲ ΠΡΟΣΟΧΗ: Να σβήνετε πάντα το εργαλείο πριν τοποθετήσετε ή αφαιρέσετε την κασέτα μπαταριών.

▲ ΠΡΟΣΟΧΗ: Κρατήστε το εργαλείο και την κασέτα μπαταριών σταθερά κατά την τοποθέτηση ή αφαίρεση της κασέτας μπαταριών. Εάν δεν κρατάτε το εργαλείο και την κασέτα μπαταριών σταθερά μπορεί να γλιστρήσουν από τα χέρια σας και να προκληθεί βλάβη στο εργαλείο και την κασέτα μπαταριών και προσωπικός τραυματισμός.

Για να τοποθετήσετε την κασέτα μπαταριών, ανοίξτε το κάλυμμα ενώ πατάτε το μοχλό ασφάλισης. Ευθυγραμμίστε τη γλωττίδα στην κασέτα μπαταριών με την εγκοπή στο περίβλημα και σύρετέ τη στη θέση της. Να την τοποθετείτε πλήρως μέχρι να ασφαλίσει στη θέση της, γεγονός που υποδεικνύεται με ένα χαρακτηριστικό ήχο. Αν μπορείτε να δείτε την κόκκινη ένδειξη στην επάνω πλευρά του κουμπιού, δεν έχει κλειδώσει τελείως. Αφού τοποθετήσετε ή αφαιρέσετε τις κασέτες μπαταριών, φροντίστε να κλείσετε το κάλυμμα.

► **Εικ.1:** 1. Κάλυμμα 2. Μοχλός ασφάλισης

Για να βγάλετε τις κασέτες μπαταριών, σηκώστε την κασέτα μπαταριών ενώ πατάτε το κουμπί στο μπροστινό μέρος της κασέτας.

► **Εικ.2:** 1. Κόκκινη ένδειξη 2. Κουμπί 3. Κασέτα μπαταριών

▲ ΠΡΟΣΟΧΗ: Να τοποθετείτε πάντα την κασέτα μπαταριών πλήρως μέχρι να μη βλέπετε την κόκκινη ένδειξη. Εάν δεν ασφαλιστεί, μπορεί να πέσει από το εργαλείο τυχαία, προκαλώντας σωματική βλάβη σε εσάς ή κάποιον άλλο γύρω σας.

▲ ΠΡΟΣΟΧΗ: Μην τοποθετείτε την κασέτα μπαταριών με βία. Εάν η κασέτα δεν ολισθαίνει με ευκολία, τότε δεν έχει τοποθετηθεί κατάλληλα.

▲ ΠΡΟΣΟΧΗ: Φροντίστε να κλειδώσετε το κάλυμμα πριν τη λειτουργία.

Σύστημα προστασίας εργαλείου/ μπαταρίας

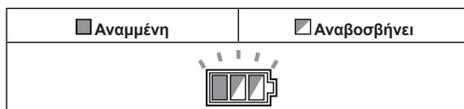
Το εργαλείο είναι εξοπλισμένο με σύστημα προστασίας εργαλείου/μπαταρίας. Αυτό το σύστημα αποκόπτει αυτόματα την ισχύ προς το μοτέρ για να παραταθεί η διάρκεια λειτουργίας του εργαλείου και της μπαταρίας. Το εργαλείο σταματάει αυτόματα κατά τη διάρκεια της λειτουργίας εάν το εργαλείο ή η μπαταρία βρεθούν κάτω από τις παρακάτω συνθήκες:

Προστασία υπερφόρτωσης

Όταν η μπαταρία λειτουργεί με τρόπο ώστε να αναγκάζεται να καταναλώνει ασυνήθιστα υψηλό ρεύμα, το εργαλείο σταματάει αυτόματα χωρίς καμία ένδειξη. Σε αυτή την κατάσταση, σβήστε το εργαλείο και διακόψτε την εφαρμογή που προκαλεί την υπερφόρτωση του εργαλείου. Μετά, ενεργοποιήστε το εργαλείο για επανεκκίνηση.

Προστασία υπερθέρμανσης

Όταν το εργαλείο υπερθερμανθεί, το εργαλείο σταματάει αυτόματα και η ένδειξη μπαταρίας αναβοσβήνει. Σε αυτή την κατάσταση, αφήστε το εργαλείο να ψυχθεί πριν ενεργοποιήσετε ξανά το εργαλείο.



Προστασία υπερβολικής αποφόρτισης

Όταν η φόρτιση μπαταρίας δεν είναι αρκετή, το εργαλείο σταματάει αυτόματα. Σε αυτή την περίπτωση, βγάλτε την μπαταρία από το εργαλείο και φορτίστε την μπαταρία.

Εμφάνιση υπολειπόμενης χωρητικότητας μπαταρίας

Μόνο για κασέτες μπαταρίας με την ενδεικτική λυχνία

► **Εικ.3:** 1. Ενδεικτικές λυχνίες 2. Κουμπί ελέγχου

Πιέστε το κουμπί ελέγχου στην κασέτα μπαταριών για να υποδείξετε την υπολειπόμενη χωρητικότητα μπαταρίας. Οι ενδεικτικές λυχνίες ανάβουν για λίγα δευτερόλεπτα.

Ενδεικτικές λυχνίες			Υπολειπόμενη χωρητικότητα
Αναμμένες	Σβηστές	Αναβοσβήνουν	
			75% έως 100%
			50% έως 75%
			25% έως 50%
			0% έως 25%
			Φορτίστε την μπαταρία.
			Μπορεί να προέκυψε δυσλειτουργία στην μπαταρία.

ΠΑΡΑΤΗΡΗΣΗ: Ανάλογα με τις συνθήκες χρήσης και τη θερμοκρασία περιβάλλοντος, η ένδειξη μπορεί να διαφέρει λίγο από την πραγματική χωρητικότητα.

Υπόδειξη υπόλοιπης χωρητικότητας μπαταρίας

ΕΙΔΟΠΟΙΗΣΗ: Η ένδειξη μπαταρίας δεν ανάβει όταν ο διακόπτης λειτουργίας βρίσκεται στη θέση OFF (Ανενεργή). Για να ελέγξετε την υπολειπόμενη χωρητικότητα μπαταρίας, θέστε το διακόπτη λειτουργίας σε τρόπο λειτουργίας υψηλής ή χαμηλής πίεσης.

Πιέστε το κουμπί ελέγχου για να εμφανιστεί η υπόλοιπη χωρητικότητα της μπαταρίας. Οι ενδείξεις μπαταριών αντιστοιχούν σε κάθε μπαταρία.

► **Εικ.4:** 1. Ένδειξη μπαταρίας 2. Κουμπί ελέγχου

Κατάσταση ένδειξης μπαταρίας			Υπολειπόμενη χωρητικότητα μπαταρίας
 Αναμμένες	 Σβηστές	 Αναβοσβήνουν	
			50% έως 100%
			20% έως 50%
			0% έως 20%
			Φορτίστε την μπαταρία

Διακόπτης λειτουργίας

ΕΙΔΟΠΟΙΗΣΗ: Μην περιστρέψετε το διακόπτη λειτουργίας με βία. Αυτό μπορεί να προκαλέσει τη δυσλειτουργία του διακόπτη.

Περιστρέψτε το διακόπτη λειτουργίας δεξιόστροφα ή αριστερόστροφα ανάλογα με το επίπεδο πίεσης. Περιστρέψτε το διακόπτη λειτουργίας δεξιόστροφα για τρόπο λειτουργίας υψηλής πίεσης και αριστερόστροφα για τρόπο λειτουργίας χαμηλής πίεσης.

► **Εικ.5:** 1. Τρόπος λειτουργίας χαμηλής πίεσης 2. Ανενεργή θέση 3. Τρόπος λειτουργίας υψηλής πίεσης

ΠΑΡΑΤΗΡΗΣΗ: Οι ενδείξεις μπαταρίας θα ανάψουν για λίγα δευτερόλεπτα όταν θέσετε το διακόπτη λειτουργίας σε τρόπο λειτουργίας υψηλής ή χαμηλής πίεσης.

Λειτουργίες ακροφυσίου

ΠΑΡΑΤΗΡΗΣΗ: Τα στάνταρ ακροφύσια ποικίλλουν ανάλογα με τη χώρα. Ανατρέξτε και στην παράγραφο ΠΡΟΑΙΡΕΤΙΚΑ ΕΞΑΡΤΗΜΑΤΑ για άλλα ακροφύσια.

Λόγχη ψεκασμού

Ειδικό της χώρας

► **Εικ.6**

Το πλάτος δέσμης μπορεί να ρυθμιστεί από 0° έως 25° αν περιστρέψετε το μπροστινό άκρο του ακροφυσίου.

▲ΠΡΟΣΟΧΗ: Όταν ρυθμίζετε το πλάτος δέσμης, μην περιστρέψετε το ακροφύσιο ενώ το τραβάτε προς το πιστόλι με σκανδάλη. Το ακροφύσιο μπορεί να βγει από το πιστόλι με σκανδάλη και να προκαλέσει προσωπικό τραυματισμό.

Μπεκ για βρομιά

Ειδικό της χώρας

► **Εικ.7**

Εκτοξεύεται μια σπειροειδής δέσμη. Κατάλληλο για την απομάκρυνση της επίμονης βρομιάς.

ΕΙΔΟΠΟΙΗΣΗ: Μη χρησιμοποιείτε το μπεκ για βρομιά για να καθαρίζετε εύθραυστες επιφάνειες όπως παράθυρα ή αμαξώματα αυτοκινήτων.

Λειτουργίες σκανδάλης

Τραβήξτε τη σκανδάλη για να εκτοξεύσετε μια δέσμη νερού. Η δέσμη νερού συνεχίζεται όσο πατάτε τη σκανδάλη.

Η σκανδάλη μπορεί να ασφαλιστεί για τον ασφαλή χειρισμό του πιστολιού με σκανδάλη. Για να ασφαλίσετε τη σκανδάλη, τραβήξτε τον αναστολέα προς τα έξω και αγκιστρώστε το στην αυλάκωση στη λαβή.

► **Εικ.8:** 1. Σκανδάλη 2. Αναστολέας 3. Αυλάκωση

ΕΙΔΟΠΟΙΗΣΗ: Για να αποφευχθεί η μηχανική βλάβη στο διακόπτη πίεσης, να αφήνετε πάντα ένα μεσοδιάστημα δύο δευτερολέπτων μεταξύ των λειτουργιών της σκανδάλης.

Βαλβίδα ασφαλείας

Αυτή η συσκευή είναι εξοπλισμένη με βαλβίδα ασφαλείας που εμποδίζει την υπερβολική πίεση. Όταν αφήσετε τη σκανδάλη, η βαλβίδα ανοίγει και το νερό επανακυκλοφορεί μέσω της εισόδου αντίλας.

▲ΠΡΟΣΟΧΗ: Μην παραβιάζετε και μην αλλάζετε τη ρύθμιση της βαλβίδας ασφαλείας.

Παροχή νερού από δοχείο/ρέζερβουάρ

Μπορείτε να παράσχετε νερό από δοχείο ή ρεζερβουάρ, αντί για βρύση.

Αντικαταστήστε τον συνδετήρα εύκαμπτου σωλήνα νερού με το σετ εύκαμπτου σωλήνα αναρρόφησης. Όταν συνδέετε το σετ εύκαμπτου σωλήνα αναρρόφησης, αποσυνδέστε τη θήκη φίλτρου από τον εύκαμπο σωλήνα και συνδέστε τη θήκη φίλτρου στην είσοδο του πλυστικού μηχανήματος υψηλής πίεσης. Μετά, συνδέστε τον εύκαμπο σωλήνα στη θήκη φίλτρου.

ΠΑΡΑΤΗΡΗΣΗ: Όταν αφαιρείτε/συνδέετε τον εύκαμπο σωλήνα από/στη θήκη φίλτρου, γυρίστε το χιτώνιο ενώ κρατάτε τον εύκαμπο σωλήνα, ώστε ο εύκαμπος σωλήνας να μην περιστρέφεται με το χιτώνιο.

► **Εικ.9:** 1. Δοχείο/ρέζερβουάρ 2. Σετ εύκαμπτου σωλήνα αναρρόφησης 3. Συνδετήρας εύκαμπτου σωλήνα νερού 4. Εύκαμπος σωλήνας 5. Θήκη φίλτρου 6. Είσοδος στο πλυστικό μηχανήμα υψηλής πίεσης 7. Σφιγκτήρας εύκαμπτου σωλήνα 8. Χιτώνιο

▲ ΠΡΟΣΟΧΗ: Όταν συνδέετε το χιτώνιο στη θήκη φίλτρου, προσέχετε να μην χτυπήσετε το χέρι σας με τον σφιγκτήρα εύκαμπτου σωλήνα.

ΕΙΔΟΠΟΙΗΣΗ: Να χρησιμοποιείτε πάντα σετ εύκαμπτου σωλήνα αναρρόφησης της Makita.

ΕΙΔΟΠΟΙΗΣΗ: Να διατηρείτε πάντα ύψος 1 m (3,28 πόδια) ή λιγότερο μεταξύ της εισόδου στο πλυστικό μηχανήμα υψηλής πίεσης και της επιφάνειας νερού. Διαφορετικά, το πλυστικό μηχανήμα υψηλής πίεσης δεν θα μπορεί να μεταφέρει το νερό στην αντλία.

Για να εισάγετε νερό στον εύκαμπτο σωλήνα, βγάλτε το ακροφύσιο από το πιστόλι με σκανδάλη και ενεργοποιήστε το πλυστικό μηχανήμα υψηλής πίεσης ενώ τραβάτε τη σκανδάλη. Μόλις εξέρχεται σταθερά νερό από το πιστόλι με σκανδάλη, αφήστε τη σκανδάλη και συνδέστε το ακροφύσιο για το σκοπό σας.

► **Εικ.10:** 1. Πιστόλι με σκανδάλη

ΠΑΡΑΤΗΡΗΣΗ: Όταν δεν εξέρχεται νερό, αποσυνδέστε το σετ εύκαμπτου σωλήνα αναρρόφησης και διαπιστώστε το σε νερό. Μετά, συνδέστε το με το πλυστικό μηχανήμα υψηλής πίεσης.

► **Εικ.11:** 1. Σετ εύκαμπτου σωλήνα αναρρόφησης

Όταν χρησιμοποιείτε το δοχείο ως δεξαμενή νερού

Μπορείτε να χρησιμοποιήσετε το δοχείο που παρέχεται με το πλυστικό μηχανήμα υψηλής πίεσης (ειδικό της χώρας) ως δεξαμενή νερού.

1. Αδειάστε το δοχείο και γεμίστε το με νερό.

► **Εικ.12:** 1. Γραμμή στάθμης πλήρους νερού

ΕΙΔΟΠΟΙΗΣΗ: Μην τροφοδοτείτε νερό πάνω από τη γραμμή στάθμης πλήρους νερού.

ΕΙΔΟΠΟΙΗΣΗ: Το καπάκι του δοχείου δεν σφραγίζει ερμητικά. Να προσέχετε να μη σας χυθεί το νερό στο δοχείο όταν το μεταφέρετε.

2. Αποσυνδέστε τη θήκη φίλτρου από τον εύκαμπτο σωλήνα του σετ εύκαμπτου σωλήνα αναρρόφησης.

► **Εικ.13:** 1. Εύκαμπτος σωλήνας 2. Θήκη φίλτρου

3. Βγάλτε την τάπα από την είσοδο νερού τροφοδοσίας και περάστε το σετ εύκαμπτου σωλήνα αναρρόφησης μέσα από την είσοδο όπως απεικονίζεται.

► **Εικ.14:** 1. Τάπα 2. Υποδοχέας τάπας 3. Είσοδος νερού τροφοδοσίας 4. Σετ εύκαμπτου σωλήνα αναρρόφησης

ΠΑΡΑΤΗΡΗΣΗ: Μπορείτε να ακουμπήσετε την τάπα στην είσοδο νερού τροφοδοσίας επάνω στον υποδοχέα τάπας.

4. Βγάλετε τον συνδετήρα εύκαμπτου σωλήνα νερού από την είσοδο του πλυστικού μηχανήματος υψηλής πίεσης. Μετά, συνδέστε τη θήκη φίλτρου στην είσοδο και, στη συνέχεια, τον εύκαμπτο σωλήνα στη θήκη φίλτρου.

► **Εικ.15:** 1. Είσοδος του πλυστικού μηχανήματος υψηλής πίεσης 2. Θήκη φίλτρου 3. Συνδετήρας εύκαμπτου σωλήνα νερού 4. Εύκαμπτος σωλήνας

5. Τοποθετήστε το πλυστικό μηχανήμα υψηλής πίεσης επάνω στο δοχείο με τρόπο ώστε να ασφαλίσει στις σπριζίες στο καπάκι του δοχείου.

► **Εικ.16:** 1. Πλυστικό μηχανήμα υψηλής πίεσης 2. Καπάκι 3. Οπή εξαέρωσης

ΕΙΔΟΠΟΙΗΣΗ: Προσέχετε με το χειρισμό του δοχείου όταν το μεταφέρετε. Η μεταφορά του δοχείου με το πλυστικό μηχανήμα υψηλής πίεσης και εξαρτήματα ή νερό στο εσωτερικό μπορεί να προκαλέσει ατύχημα ή προσωπικό τραυματισμό λόγω του βάρους.

ΕΙΔΟΠΟΙΗΣΗ: Όταν μεταφέρετε το δοχείο, μην το ανακινείτε, αναποδογυρίζετε ή γέρνετε υπερβολικά. Αν το κάνετε αυτό, μπορεί να προκληθούν τα εξής:

- να χυθεί το νερό που βρίσκεται στο εσωτερικό,
- να πέσει το πλυστικό μηχανήμα υψηλής πίεσης στο καπάκι από το δοχείο, ή
- τη δυσκολία περιστροφής των τροχών του δοχείου.

ΕΙΔΟΠΟΙΗΣΗ: Όταν μεταφέρετε το δοχείο από τη λαβή, μπορεί να χυθεί νερό αν υπάρχει πολύ νερό στο εσωτερικό.

ΕΙΔΟΠΟΙΗΣΗ: Μπορεί να εξέλθει νερό από την οπή εξαέρωσης αν το νερό στο εσωτερικό φτάσει στην οπή εξαέρωσης στην περίπτωση που το δοχείο πάει κλίση.

ΕΙΔΟΠΟΙΗΣΗ: Μην πατάτε επάνω στο δοχείο. Το καπάκι μπορεί να είναι σπασμένο.

ΕΙΔΟΠΟΙΗΣΗ: Μην αφήνετε το δοχείο γεμάτο με νερό για μεγάλο χρονικό διάστημα. Αν το κάνετε αυτό, μπορεί να προκληθεί ζημιά στο δοχείο και να έχει ως αποτέλεσμα διαρροή νερού.

Μετά τη χρήση, ακολουθήστε την παρακάτω διαδικασία:

1. Βγάλτε την τάπα από την έξοδο αποστράγγισης και εκκενώστε το νερό.

► **Εικ.17:** 1. Έξοδος αποστράγγισης

2. Σκουπίστε την υγρασία στο εσωτερικό του δοχείου χρησιμοποιώντας ένα πανί και μετά στεγνώστε εντελώς το δοχείο.

ΕΙΔΟΠΟΙΗΣΗ: Μην αποθηκεύσετε το πλυστικό μηχανήμα υψηλής πίεσης και τα εξαρτήματα όταν το εσωτερικό του δοχείου είναι βρεγμένο. Η υπολειπόμενη υγρασία μπορεί να προκαλέσει δυσλειτουργία και σκουριά.

ΣΥΝΑΡΜΟΛΟΓΗΣΗ

▲ ΠΡΟΣΟΧΗ: Να βεβαιώνετε πάντα ότι το εργαλείο είναι σβηστό και η κασέτα μπαταρίας έχει αφαιρεθεί πριν εκτελέσετε κάποια εργασία στο εργαλείο.

Σύνδεση του εύκαμπτου σωλήνα υψηλής πίεσης

Συνδέστε τον εύκαμπο σωλήνα υψηλής πίεσης στην είσοδο (με την ένδειξη πιστολιού). Περιστρέψτε δεξιόστροφα το παξιμάδι στον εύκαμπο σωλήνα υψηλής πίεσης ενώ το βιδώνετε στο σπείρωμα βίδας της εξόδου.

► **Εικ.18:** 1. Έξοδος 2. Παξιμάδι

ΠΡΟΣΟΧΗ: Βεβαιωθείτε ότι ο εύκαμπος σωλήνας υψηλής πίεσης είναι συνδεδεμένος με ασφάλεια. Μια χαλαρή σύνδεση μπορεί να εκτινάξει τον εύκαμπο σωλήνα υψηλής πίεσης, έχοντας ως αποτέλεσμα προσωπικό τραυματισμό.

Σύνδεση του πιστολιού με σκανδάλη

Συνδέστε τον εύκαμπο σωλήνα υψηλής πίεσης στην είσοδο στο πιστόλι με σκανδάλη. Περιστρέψτε δεξιόστροφα το παξιμάδι στον εύκαμπο σωλήνα υψηλής πίεσης ενώ το βιδώνετε στο σπείρωμα βίδας στην είσοδο.

► **Εικ.19:** 1. Είσοδος 2. Παξιμάδι

ΠΡΟΣΟΧΗ: Βεβαιωθείτε ότι ο εύκαμπος σωλήνας υψηλής πίεσης είναι συνδεδεμένος με ασφάλεια. Μια χαλαρή σύνδεση μπορεί να εκτινάξει τον εύκαμπο σωλήνα υψηλής πίεσης, έχοντας ως αποτέλεσμα προσωπικό τραυματισμό.

Σύνδεση σε βρύση

ΠΡΟΣΟΧΗ: Να χρησιμοποιείτε πάντα έναν ανθεκτικό στην πίεση, εύκαμπο σωλήνα νερού με διάμετρο \varnothing 13 mm ή μεγαλύτερη, και συνδέστε στη βρύση χρησιμοποιώντας κατάλληλες συνδέσεις. Διαφορετικά ο εύκαμπος σωλήνας νερού ή/και η σύνδεση μπορεί να σπάσει και να προκληθεί ατομικός τραυματισμός.

ΕΙΔΟΠΟΙΗΣΗ: Χρησιμοποιήστε όσο το δυνατό πιο κοντό ανθεκτικό στην πίεση, εύκαμπο σωλήνα νερού. Η ποσότητα του νερού εισόδου θα πρέπει να είναι υψηλότερη από τον μέγιστο όγκο τροφοδοσίας της αντλίας.

ΕΙΔΟΠΟΙΗΣΗ: Αν συνδέσετε την κεντρική παροχή για πόσιμο νερό, χρησιμοποιήστε μια βαλβίδα αποτροπής αντίστροφης ροής που ικανοποιεί τους κανονισμούς της περιοχής σας.

Προετοιμάστε έναν ανθεκτικό στην πίεση, εύκαμπο σωλήνα νερού. Προσδέστε το χιτώνιο συνδέσμου στο ένα άκρο και συνδέστε το άλλο άκρο στη βρύση όπως περιγράφεται στη συνέχεια.

1. Αφαιρέστε το παξιμάδι στο χιτώνιο συνδέσμου και περάστε τον ανθεκτικό στην πίεση, εύκαμπο σωλήνα νερού μέσα από το παξιμάδι. Εισαγάγετε το άκρο του εύκαμπτου σωλήνα μέσα στο χιτώνιο συνδέσμου και μετά σφίξτε το παξιμάδι.

► **Εικ.20:** 1. Ανθεκτικός στην πίεση, εύκαμπος σωλήνας νερού 2. Παξιμάδι του χιτωνίου συνδέσμου 3. Χιτώνιο συνδέσμου

ΠΑΡΑΤΗΡΗΣΗ: Αν θέλετε να συνδέσετε τον ανθεκτικό στην πίεση, εύκαμπο σωλήνα νερού στη βρύση χρησιμοποιώντας χιτώνιο συνδέσμου, προετοιμάστε ένα άλλο χιτώνιο συνδέσμου και συνδέστε το στο άλλο άκρο του εύκαμπτου σωλήνα.

2. Συνδέστε τον ανθεκτικό στην πίεση, εύκαμπο σωλήνα νερού στη βρύση. Εφαρμόστε μια κατάλληλη σύνδεση, όπως σφικκτήρα εύκαμπτου σωλήνα ή ένωση κάνουλας νερού για να ασφαλίσετε το άκρο του εύκαμπτου σωλήνα με τη βρύση.

► **Εικ.21:** 1. Σφικκτήρας εύκαμπτου σωλήνα 2. Ένωση κάνουλας νερού 3. Ανθεκτικός στην πίεση, εύκαμπος σωλήνας νερού

ΠΑΡΑΤΗΡΗΣΗ: Η σύνδεση εξαρτάται από το σχήμα της βρύσης στην οποία γίνεται η σύνδεση. Προετοιμάστε μια σύνδεση που προμηθευτήκατε στο εμπόριο.

3. Συνδέστε τον συνδετήρα εύκαμπτου σωλήνα νερού στην είσοδο (με την ένδειξη βρύσης) και μετά εισαγάγετε το χιτώνιο συνδέσμου.

► **Εικ.22:** 1. Χιτώνιο συνδέσμου 2. Συνδετήρας εύκαμπτου σωλήνα νερού 3. Είσοδος στο πλυστικό μηχανήμα υψηλής πίεσης

Σύνδεση/αποσύνδεση του ακροφυσίου

ΠΡΟΣΟΧΗ: Να κλειδώνετε πάντα τη σκανδάλη του πιστολιού με σκανδάλη όταν συνδέετε/αποσυνδέετε το ακροφύσιο.

Εισαγάγετε το άκρο του ακροφυσίου στη σχισμή στο πιστόλι με σκανδάλη και στρέψτε το προς την κατεύθυνση του βέλους όπως απεικονίζεται στην εικόνα. Για αποσύνδεση του ακροφυσίου, περιστρέψτε το ακροφύσιο προς την αντίθετη κατεύθυνση ενώ το πιέζετε προς το πιστόλι με σκανδάλη.

► **Εικ.23:** 1. Πιστόλι με σκανδάλη 2. Σχισμή 3. Άκρο ακροφυσίου

Σύνδεση του ακροφυσίου αφρού

Προαιρετικό εξάρτημα

ΠΡΟΣΟΧΗ: Να κλειδώνετε πάντα τη σκανδάλη του πιστολιού με σκανδάλη όταν συνδέετε/αποσυνδέετε το ακροφύσιο.

Προετοιμάστε απορρυπαντικό πριν χρησιμοποιήσετε το ακροφύσιο αφρού.

1. Αφαιρέστε το ακροφύσιο από το δοχείο περιστρέφοντας το ακροφύσιο αριστερόστροφα. Συνδέστε το ακροφύσιο στο πιστόλι με σκανδάλη.

► **Εικ.24:** 1. Ακροφύσιο 2. Πιστόλι με σκανδάλη

2. Ρίξτε το απορρυπαντικό στο δοχείο και τοποθετήστε το στο ακροφύσιο.

► **Εικ.25:** 1. Δοχείο

ΕΙΔΟΠΟΙΗΣΗ: Να χρησιμοποιείτε πάντα ουδέτερο απορρυπαντικό. Το όξινο ή αλκαλικό απορρυπαντικό μπορεί να προκαλέσει ζημιά στο δοχείο ή στο ακροφύσιο.

Τοποθέτηση της πλαστικής θήκης μεταφοράς στο δοχείο

Προαιρετικό εξάρτημα

Μπορείτε να τοποθετήσετε την πλαστική θήκη μεταφοράς Makita στο πάνω μέρος του δοχείου. Τοποθετήστε την πλαστική θήκη μεταφοράς επάνω στο δοχείο με τρόπο ώστε να ασφαλίσει στις στηρίξεις στο καπάκι του δοχείου.

► **Εικ.26:** 1. Πλαστική θήκη μεταφοράς 2. Στηρίξη

Τοποθέτηση του δοχείου στο τρόλεϊ

Προαιρετικό εξάρτημα

Όταν μεταφέρετε το δοχείο με τρόλεϊ της Makita, τοποθετήστε το δοχείο στη θέση του. Βεβαιωθείτε ότι το κάτω μέρος του δοχείου ταιριάζει στην πλατφόρμα του τρόλεϊ.

► **Εικ.27:** 1. Κάτω επιφάνεια του δοχείου
2. Πλατφόρμα του τρόλεϊ

▲ΠΡΟΣΟΧΗ: Όταν χρησιμοποιείτε το τρόλεϊ, μην μεταφέρετε το δοχείο γεμισμένο με νερό. Αν το κάνετε αυτό, μπορεί να χαθεί η ισορροπία και να έχει ως αποτέλεσμα προσωπικό τραυματισμό ή να προκληθεί παραμόρφωση του δοχείου με συνέπεια τη διαρροή νερού.

ΛΕΙΤΟΥΡΓΙΑ

▲ΠΡΟΕΙΔΟΠΟΙΗΣΗ: Μην αγγίζετε τη δέσμη νερού και μην την κατευθύνετε προς το μέρος σας ή προς άλλους. Η δέσμη νερού είναι επικίνδυνη και μπορεί να βλάψει εσάς ή άλλους.

▲ΠΡΟΕΙΔΟΠΟΙΗΣΗ: Όταν εκτοξεύετε τη δέσμη νερού, μην κρατάτε ποτέ το αντικείμενο που καθαρίζετε και μην τοποθετείτε τα χέρια και τα πόδια σας κοντά στη δέσμη νερού.

▲ΠΡΟΣΟΧΗ: Να προσέχετε την αναπήδηση της δέσμης νερού και τα εμψυσημένα αντικείμενα. Μην φέρνετε το ακροφύσιο πιο κοντά από 30 cm από το αντικείμενο.

▲ΠΡΟΣΟΧΗ: Μη λειτουργείτε το πλυστικό μηχανήμα υψηλής πίεσης χωρίς νερό για περισσότερο από 1 λεπτό.

▲ΠΡΟΣΟΧΗ: Μη λειτουργείτε το πλυστικό μηχανήμα υψηλής πίεσης για μεγάλη χρονική περίοδο. Μπορεί να προκληθεί υπερθέρμανση ή πυρκαγιά. Επίσης, η μακροχρόνια χρήση μπορεί να προκαλέσει κραδασμούς.

▲ΠΡΟΣΟΧΗ: Προσέξτε την κατεύθυνση του ανέμου. Αν το απορρυπαντικό μπει στα μάτια ή στο στόμα σας, ξεπλύντε αμέσως με φρέσκο νερό και, αν απαιτείται, ζητήστε αμέσως ιατρική φροντίδα.

ΕΙΔΟΠΟΙΗΣΗ: Αποφύγετε να χρησιμοποιείτε το πλυστικό μηχανήμα υψηλής πίεσης για περισσότερο από 1 ώρα. Αφού χρησιμοποιήσετε για 1 ώρα, κάντε διάλειμμα για τον ίδιο χρόνο.

ΕΙΔΟΠΟΙΗΣΗ: Για να προστατέψετε το μηχανισμό του πλυστικού μηχανήματος υψηλής πίεσης, μη χρησιμοποιείτε νερό με θερμοκρασία άνω των 40°C.

1. Συνδέστε το ένα άκρο του εύκαμπτου σωλήνα υψηλής πίεσης με το πιστόλι με σκανδάλη και το άλλο άκρο με το πλυστικό μηχανήμα υψηλής πίεσης.
2. Συνδέστε το πλυστικό μηχανήμα υψηλής πίεσης με τη βρύση χρησιμοποιώντας έναν εύκαμπτο σωλήνα. Μετά, ανοίξτε τη βρύση.
► **Εικ.28**
3. Ανοίξτε το κάλυμμα και τοποθετήστε τις κασέτες μπαταριών στο πλυστικό μηχανήμα υψηλής πίεσης και, στη συνέχεια, ασφαλίστε το κάλυμμα.
► **Εικ.29:** 1. Κασέτα μπαταριών 2. Κάλυμμα
4. Θέστε το διακόπτη λειτουργίας στον επιθυμητό τρόπο λειτουργίας.
► **Εικ.30:** 1. Τρόπος λειτουργίας χαμηλής πίεσης
2. Ανενεργή θέση 3. Τρόπος λειτουργίας υψηλής πίεσης
5. Για να εκτοξεύσετε δέσμη νερού, απασφαλίστε τον αναστολέα και πατήστε τη σκανδάλη. Η δέσμη νερού συνεχίζεται όσο πατάτε τη σκανδάλη.
► **Εικ.31:** 1. Αναστολέας

▲ΠΡΟΣΟΧΗ: Κρατήστε σταθερά το πιστόλι με σκανδάλη. Το πιστόλι με σκανδάλη αναπηδά όταν τραβάτε τη σκανδάλη.

▲ΠΡΟΣΟΧΗ: Να κρατάτε πάντα το πιστόλι με σκανδάλη από τη λαβή και κάννη όταν εκκινάτε δέσμη νερού.

ΕΙΔΟΠΟΙΗΣΗ: Προσέχετε να μην τραβάτε με βία το πιστόλι με σκανδάλη κατά τη λειτουργία. Μπορεί να προκληθεί η πτώση του πλυστικού μηχανήματος υψηλής πίεσης.

Όταν αναστέλλεται η λειτουργία, μπορείτε να τοποθετήσετε προσωρινά το πιστόλι με σκανδάλη όπως απεικονίζεται στην εικόνα.

► **Εικ.32**

Μετά τη χρήση

▲ΠΡΟΣΟΧΗ: Μετά τη λειτουργία του πλυστικού μηχανήματος υψηλής πίεσης, να εκτελείτε πάντα τη διαδικασία που περιγράφεται στο παρόν εγχειρίδιο. Η παραμένουσα πίεση στο πιστόλι με σκανδάλη ή στο πλυστικό μηχανήμα υψηλής πίεσης μπορεί να προκαλέσει προσωπικό τραυματισμό ή ζημιά στην εσωτερική αντλία.

1. Σβήστε το πλυστικό μηχανήμα υψηλής πίεσης.
2. Κλείστε τη βρύση και αποσυνδέστε τον εύκαμπτο σωλήνα νερού από το πλυστικό μηχανήμα υψηλής πίεσης.
► **Εικ.33**

3. Ανάψτε ξανά το πλυστικό μηχάνημα υψηλής πίεσης.
4. Τραβάτε τη σκανδάλη μέχρι να εξέλθει το εναπομένον νερό στο πλυστικό μηχάνημα υψηλής πίεσης.
- **Εικ.34**

ΕΙΔΟΠΟΙΗΣΗ: Μη θέτετε το μοτέρ σε λειτουργία για περισσότερο από 1 λεπτό.

5. Σβήστε το πλυστικό μηχάνημα υψηλής πίεσης και βγάλετε τις κασέτες μπαταριών.
- **Εικ.35:** 1. Διακόπτης λειτουργίας 2. Κασέτα μπαταριών
6. Αποσυνδέστε τον εύκαμπτο σωλήνα υψηλής πίεσης από το πιστόλι με σκανδάλη και το πλυστικό μηχάνημα υψηλής πίεσης.
- **Εικ.36:** 1. Πιστόλι με σκανδάλη 2. Εύκαμπτος σωλήνας υψηλής πίεσης 3. Πλυστικό μηχανήμα υψηλής πίεσης

ΕΙΔΟΠΟΙΗΣΗ: Για να αποφευχθεί η πρόκληση ζημιάς στον εύκαμπτο σωλήνα υψηλής πίεσης, αφαιρέστε το εναπομένον νερό στον εύκαμπτο σωλήνα πριν την αποθήκευση.

ΣΥΝΤΗΡΗΣΗ ΚΑΙ ΑΠΟΘΗΚΕΥΣΗ

▲ ΠΡΟΣΟΧΗ: Να βεβαιώνετε πάντα ότι το εργαλείο είναι σβηστό και ότι έχετε βγάλει την κασέτα μπαταριών πριν εκτελέσετε οποιαδήποτε εργασία επιθεώρησης ή συντήρησης σε αυτό.

ΕΙΔΟΠΟΙΗΣΗ: Μην χρησιμοποιείτε ποτέ βενζίνη, πετρελαϊκό αιθέρα, διαλυτικό, αλκοόλη ή παρόμοιες ουσίες. Μπορεί να προκληθεί αποχρωματισμός, παραμόρφωση ή ρωγμές.

Για τη διατήρηση της ΑΣΦΑΛΕΙΑΣ και ΑΞΙΟΠΙΣΤΙΑΣ του προϊόντος, οι επισκευές και οποιαδήποτε άλλη εργασία συντήρησης ή ρύθμισης πρέπει να εκτελούνται από εξουσιοδοτημένα ή εργοστασιακά κέντρα εξυπηρέτησης της Makita, χρησιμοποιώντας πάντοτε ανταλλακτικά της Makita.

Καθαρισμός ακροφυσίου

Χρησιμοποιήστε τον πείρο καθαριστικού για να αφαιρέσετε τη βρομιά ή να ξεφράξετε το ακροφύσιο.

- **Εικ.37:** 1. Πείρος καθαριστικού

ΕΙΔΟΠΟΙΗΣΗ: Μην αφαιρείτε τη βρομιά ή τα υπολείμματα με βία. Αυτό μπορεί να έχει ως αποτέλεσμα τον προσωπικό τραυματισμό ή τη ζημιά στην οπή εξαγωγής, προκαλώντας παρεκκλινόμενες γωνίες δέσμης ή ανεπαρκή απόδοση.

Καθαρισμός φίλτρου

Αποδεσμεύστε τον συνδετήρα εύκαμπτου σωλήνα νερού και αφαιρέστε τη βρομιά και υπολείμματα από το εσωτερικό του φίλτρου.

- **Εικ.38:** 1. Συνδετήρας εύκαμπτου σωλήνα νερού 2. Φίλτρο 3. Σφραγιστικός δακτύλιος

Όταν χρησιμοποιείτε το σετ εύκαμπτου σωλήνα αναρρόφησης (προαιρετικό εξάρτημα), βγάλετε το φίλτρο από τη θήκη φίλτρου και αφαιρέστε τη βρομιά και υπολείμματα.

- **Εικ.39:** 1. Φίλτρο 2. Θήκη φίλτρου

ΠΑΡΑΤΗΡΗΣΗ: Για να διατηρείτε τη βέλτιστη απόδοση, να καθαρίζετε το φίλτρο περιοδικά.

Αποθήκευση

▲ ΠΡΟΣΟΧΗ: Η αποθήκευση πρέπει πάντα να γίνεται σε εσωτερική τοποθεσία όπου η θερμοκρασία δεν πέφτει υπό του μηδενός. Αν το πλυστικό μηχάνημα υψηλής πίεσης παγώσει και παρουσιάσει δυσλειτουργία, επικοινωνήστε με το τοπικό σας κέντρο εξυπηρέτησης για επισκευές.

Αποθηκεύστε τα εξαρτήματα στην παινή θήκη του πλυστικού μηχανήματος υψηλής πίεσης.

Παράδειγμα αποθήκευσης

- **Εικ.40:** 1. Εύκαμπτος σωλήνας υψηλής πίεσης 2. Ακροφύσιο 3. Πιστόλι με σκανδάλη

Αν το μοντέλο σας παρέχεται με το δοχείο, αποθηκεύστε το πλυστικό μηχάνημα υψηλής πίεσης και τα εξαρτήματα σε αυτό.

Παράδειγμα αποθήκευσης

- **Εικ.41:** 1. Πλυστικό μηχάνημα υψηλής πίεσης 2. Ακροφύσιο 3. Πιστόλι με σκανδάλη 4. Βούρτσα πλυσίματος 5. Ακροφύσιο αφρού 6. Εύκαμπτος σωλήνας υψηλής πίεσης 7. Φορτιστής 8. Σετ εύκαμπτου σωλήνα αναρρόφησης 9. Ανθεκτικός στην πίεση, εύκαμπτος σωλήνας νερού

ΠΑΡΑΤΗΡΗΣΗ: Μερικά εξαρτήματα που απεικονίζονται στην εικόνα, σε μερικές χώρες, παρέχονται ως προαιρετικά εξαρτήματα.

ΑΝΤΙΜΕΤΩΠΙΣΗ ΠΡΟΒΛΗΜΑΤΩΝ

Πριν ζητήσετε επισκευές, εκτελέστε αρχικά τη δική σας επιθεώρηση. Αν εντοπίσετε πρόβλημα που δεν επεξηγείται στο εγχειρίδιο, μην επιχειρήσετε να αποσυναρμολογήσετε το εργαλείο. Αντ' αυτού, ζητήστε βοήθεια από εξουσιοδοτημένα κέντρα εξυπηρέτησης της Makita και πάντοτε να χρησιμοποιείτε γνήσια ανταλλακτικά της Makita.

Κατάσταση προβλήματος	Πιθανή αιτία (δυσλειτουργία)	Αποκατάσταση
Το πλυστικό μηχάνημα δεν ξεκινά.	Δεν υπάρχει ηλεκτρισμός	Τοποθετήστε φορτισμένες κασέτες μπαταριών.
	Ο διακόπτης δεν είναι ενεργοποιημένος.	Ενεργοποιήστε το διακόπτη.
	Υπάρχει παραμεινύσα πίεση στην αντλία	Τραβήξτε τη σκανδάλη.
	Κατεστραμμένη μπαταρία ή ηλεκτρικό κύκλωμα	Απευθυνθείτε σε εξουσιοδοτημένο κέντρο εξυπηρέτησης για επισκευή.
Δεν υπάρχει δέσμη νερού / η δέσμη νερού είναι ασθενής	Δεν υπάρχει παροχή νερού	Βεβαιωθείτε ότι η βρύση είναι ανοικτή. Αν χρησιμοποιείτε το σετ εύκαμπτου σωλήνα αναρρόφησης, εισαγάγετε νερό στον εύκαμπο σωλήνα.
	Ανεπαρκής παροχή νερού	Ανοίξτε τη βρύση.
	Ανεπαρκής σύνδεση εύκαμπτου σωλήνα νερού	Ελέγξτε τη σύνδεση μεταξύ του πλυστικού μηχανήματος υψηλής πίεσης και της βρύσης νερού.
	Φραγμένος εύκαμπος σωλήνας, φίλτρο ή ακροφύσιο	Ξεφράξτε τον εύκαμπο σωλήνα, φίλτρο ή ακροφύσιο.
	Αέρας φράσσει τη ροή νερού.	Απενεργοποιήστε το διακόπτη και μετά ενεργοποιήστε τον ξανά, ενώ τραβάτε τη σκανδάλη.
	Κατεστραμμένο ή φθαρμένο ακροφύσιο	Αντικαταστήστε το ακροφύσιο.
Ασταθής δέσμη νερού	Δυσλειτουργία αντλίας ή βαλβίδας	Απευθυνθείτε σε εξουσιοδοτημένο κέντρο εξυπηρέτησης για επισκευή.
	Φραγμένο ακροφύσιο	Ξεφράξτε την οπή εξαγωγής του ακροφυσίου χρησιμοποιώντας τον πείρο καθαριστικό.
	Ανεπαρκής αναρρόφηση νερού	Ελέγξτε τον εύκαμπο σωλήνα νερού που ξεκινάει από τη βρύση για τυχόν διαρροές ή φραξίματα. Ανοίξτε τη βρύση.
	Το νερό είναι πολύ ζεστό.	Παράσχετε πιο κρύο νερό.
Μη φυσιολογικός ήχος	Δυσλειτουργία βαλβίδας	Απευθυνθείτε σε εξουσιοδοτημένο κέντρο εξυπηρέτησης για επισκευή.
	Το νερό είναι πολύ ζεστό.	Παράσχετε πιο κρύο νερό.
Διαρροή νερού	Έχει εγκλωβιστεί αέρας στην αντλία.	Απευθυνθείτε σε εξουσιοδοτημένο κέντρο εξυπηρέτησης για επισκευή.
	Κακή σύνδεση	Ελέγξτε τη σύνδεση μεταξύ του πλυστικού μηχανήματος υψηλής πίεσης και του πιστολιού με σκανδάλη, καθώς και με τη βρύση νερού.
	Φθαρμένες στεγανοποιήσεις	Απευθυνθείτε σε εξουσιοδοτημένο κέντρο εξυπηρέτησης για επισκευή.

ΠΡΟΑΙΡΕΤΙΚΑ ΕΞΑΡΤΗΜΑΤΑ

▲ ΠΡΟΣΟΧΗ: Αυτά τα εξαρτήματα ή προσαρτήματα συνιστώνται για χρήση με το εργαλείο Makita που περιγράφηκε στις οδηγίες αυτές. Η χρήση οποιωνδήποτε άλλων εξαρτημάτων ή προσαρτημάτων μπορεί να προκαλέσει κίνδυνο τραυματισμού σε άτομα. Να χρησιμοποιείτε τα εξαρτήματα ή προσαρτήματα μόνο για την χρήση που προορίζονται.

Εάν χρειάζεστε οποιαδήποτε βοήθεια για περισσότερες πληροφορίες σε σχέση με αυτά τα εξαρτήματα, αποτανθείτε στο τοπικό σας κέντρο εξυπηρέτησης Makita.

ΠΑΡΑΤΗΡΗΣΗ: Μερικά στοιχεία στη λίστα μπορεί να συμπεριλαμβάνονται στη συσκευασία εργαλείου ως στάνταρ εξαρτήματα. Μπορεί να διαφέρουν ανάλογα με τη χώρα.

Λόγχη ψεκασμού μεταβλητής ισχύος

► Εικ.42

Η πίεση δέσμης μπορεί να ρυθμιστεί αν περιστρέψετε το ακροφύσιο.

▲ ΠΡΟΣΟΧΗ: Όταν ρυθμίζετε την πίεση δέσμης, μην περιστρέψετε το ακροφύσιο ενώ το τραβάτε προς το πιστόλι με σκανδάλη. Το ακροφύσιο μπορεί να βγει από το πιστόλι με σκανδάλη και να προκαλέσει προσωπικό τραυματισμό.

Ακροφύσιο αφρού

Ειδικό της χώρας

► **Εικ.43**

Το απορρυπαντικό μπορεί να ψεκαστεί ως αφρός.

Βούρτσα πλυσίματος (μακριά)

► **Εικ.44**

Ακροφύσιο εξοπλισμένο με βούρτσα. Χρήσιμη για το πλύσιμο βρομιάς ενώ τρίβετε με τη βούρτσα.

Σετ εύκαμπτου σωλήνα αναρρόφησης

► **Εικ.45**

Αντικαταστήστε τον εύκαμπτο σωλήνα νερού με αυτό το σετ για να παράσχετε νερό από δοχείο ή ρεζερβουάρ.

Περιστροφική βούρτσα πλύσης

► **Εικ.46**

Τρεις βούρτσες στο εσωτερικό περιστρέφονται αργά κατά την εκτόξευση της δέσμης. Κατάλληλο για τον καθαρισμό ελαφριάς βρομιάς σε εξωτερικό τοίχο, αμάξωμα αυτοκινήτου, μπανιέρα, κτλ.

Επέκταση λόγχης

► **Εικ.47**

Σωλήνες για την επέκταση του μήκους του πιστολιού με σκανδάλη. Διατίθενται τρία διαφορετικά μήκη αν αλλάξετε τον αριθμό των σωλήνων που πρόκειται να χρησιμοποιηθούν.

Λόγχη ψεκασμού για το κάτω μέρος του αμαξώματος

► **Εικ.48**

Μια πολύ μακριά λόγχη ψεκασμού με επικλινές ακροφύσιο. Ιδανικό για το καθαρίσμα δυσπρόσιτων περιοχών όπως το κάτω μέρος ενός αυτοκινήτου και των υδρορροών οροφής.

▲ΠΡΟΣΟΧΗ: Μη χρησιμοποιείτε τη λόγχη ψεκασμού για το κάτω μέρος του αμαξώματος μαζί με την επέκταση λόγχης.

Αντισταλαγμικό προστατευτικό

► **Εικ.49**

Μειώνει την οπίσθια εκτόξευση κατά τον καθαρισμό γωνιών με το μπεκ για βρομιά.

Περιστρεφόμενη ένωση

► **Εικ.50**

Εμποδίζει τη συστροφή του εύκαμπτου σωλήνα υψηλής πίεσης.

Συνδετική ένωση

► **Εικ.51**

Μια ένωση για τη σύνδεση με ακροφύσιο από άλλο μοντέλο.

Μερικά προαιρετικά ακροφύσια απαιτούν τη συνδετική ένωση (προαιρετικό εξάρτημα) για να συνδεθούν με το πιστόλι με σκανδάλη. Συνδέστε τη συνδετική ένωση με το πιστόλι με σκανδάλη με τον ίδιο τρόπο όπως το ακροφύσιο.

► **Εικ.52:** 1. Ακροφύσιο 2. Συνδετική ένωση 3. Πιστόλι με σκανδάλη

ΠΑΡΑΤΗΡΗΣΗ: Η συνδετική ένωση απαιτείται όταν χρησιμοποιείτε ακροφύσια που περιλαμβάνονται με άλλο μοντέλο, HW112 ή HW121.

Σετ καθαρισμού σωλήνων (10 m/15 m)

► **Εικ.53**

Για τον καθαρισμό και την απόφραξη υδραυλικών και σωλήνων καθόδου.

▲ΠΡΟΣΟΧΗ: Να προσέχετε ιδιαίτερα τη δέσμη νερού όταν χρησιμοποιείτε το σετ καθαρισμού σωλήνων. Εκτοξεύεται προς τα πίσω μια εξαιρετικά δυνατή δέσμη νερού. Βεβαιωθείτε να εισαγάγετε την κεφαλή εύκαμπτου σωλήνα στο σωλήνα πριν τραβήξετε τη σκανδάλη.

Επέκταση εύκαμπτου σωλήνα υψηλής πίεσης (5 m/8 m/10 m)

► **Εικ.54**

Επέκταση εύκαμπτου σωλήνα για τη σύνδεση του κυρίως τμήματος του πλυστικού μηχανήματος υψηλής πίεσης με το πιστόλι με σκανδάλη.

UYARI

- Makinalar çocuklar tarafından kullanılmamalıdır. Makina ile oynamadıklarından emin olmak için çocuklar kontrol altında bulundurulmalıdır.
- Bu makina, çocuklar da dahil olmak üzere fiziksel, duyuşal veya zihinsel engelli ya da tecrübe ve bilgisi olmayan kişiler tarafından kullanılmak üzere tasarlanmamıştır.
- Bu makina, birlikte verilen veya üretici tarafından önerilen temizlik maddesi ile kullanım için tasarlanmıştır. Diğer temizlik maddelerinin veya kimyasalların kullanılması makinanın güvenliğini olumsuz yönde etkileyebilir.
- Basınçlı jetler, yanlış kullanılmaları durumunda tehlikeli olabilir. Jet insanlara, akım çeken elektrikli cihazlara veya makinanın kendisine doğrultulmamalıdır.
- Makinayı, koruyucu giysi giymiyorlarsa insanlara erişebilecek mesafede kullanmayın.
- Giysi veya ayakkabıları temizlemek için jeti kendinize veya diğer insanlara doğrultmayın.
- Patlama tehlikesi - Yanıcı sıvılar püskürtmeyin.
- Basınçlı temizleme makinaları çocuklar veya eğitimsiz kişiler tarafından kullanılmamalıdır.
- Yüksek basınç hortumları, bağlantı parçaları ve rakorlar makinanın güvenliği için önemlidir. Yalnızca üretici tarafından önerilen hortumları, bağlantı parçalarını ve rakorları kullanın.
- Makina güvenliğini sağlamak için sadece üreticinin orijinal yedek parçalarını veya üretici onaylı yedek parçaları kullanın.
- Alet üzerinde herhangi bir işlem yapmadan önce aletin kapalı ve batarya kartuşlarının çıkartılmış olduğundan daima emin olun.
- Makinanın örneğin güvenlik aygıtları, yüksek basınç hortumları, tetikli tabanca gibi önemli parçaları hasarlıysa makinayı kullanmayın.
- Makinayı gözetimsiz bırakırken her zaman batarya kartuşlarını çıkarın.
- Yerel su tedarik şirketinin gereksinimlerine uyun.
- Avrupa ülkeleri için:
EN12729'a göre (Tip BA), tedarik hortumuna drenaj özellikli bir geri akış önleme valfi takılırsa, alet içme suyu şebekesine de bağlanabilir.

TEKNİK ÖZELLİKLER

Model:	DHW080	
Maks. besleme hacmi ¹	6,3 L/min	
Su debisi ²	Yüksek mod	5,5 L/min
	Düşük mod	4,0 L/min
İzin verilebilir maks. basınç	8,0 MPa	
Çalışma basıncı ²	Yüksek mod	5,5 MPa
	Düşük mod	3,0 MPa
Maks. besleme basıncı	1,0 MPa	
Maks. besleme sıcaklığı	40°C	
Maks. emme yüksekliği	1 m	
Anma voltajı	D.C. 36 V	
Boyutlar (U x G x Y)	438 mm x 218 mm x 269 mm	
Ağırlık	7,1 - 7,7 kg	

*1: Yıkama fırçasını kullanırken.

*2: Püskürtme borusunu kullanırken.

- Sürekli yapılan araştırma ve geliştirmelerden dolayı, burada belirtilen özellikler önceden bildirilmeksizin değiştirilebilir.
- Özellikler ülkeden ülkeye değişebilir.
- Ağırlık, ekli aksesuara/aksesuarlara ve batarya kartuşuna bağlı olarak farklılık gösterebilir. EPTA-Prosedürü 01/2014'e göre en hafif ve en ağır kombinasyonlar tabloda verilmiştir.

Geçerli batarya kartuşu ve şarj aleti

Batarya kartuşu	BL1815N / BL1820 / BL1820B / BL1830 / BL1830B / BL1840 / BL1840B / BL1850 / BL1850B / BL1860B
Şarj aleti	DC18RC / DC18RD / DC18RE / DC18SD / DC18SE / DC18SF / DC18SH

- Yukarıda listelenen batarya kartuşlarının ve şarj aletlerinin bazıları yaşadığınız bölgeye bağlı olarak mevcut olmayabilir.

UYARI: Sadece yukarıda listelenen batarya kartuşlarını ve şarj aletlerini kullanın. Başka batarya kartuşlarının ve şarj aletlerinin kullanılması yaralanma ve/veya yangına neden olabilir.

Semboller

Aşağıdakiler makineniz için kullanılan sembolleri göstermektedir. Kullanmadan önce manalarını anladığınızdan emin olunuz.



El kitabını okuyun.



Çok özenli ve dikkatli kullanın.



Ni-MH
Li-Ion

Sadece AB ülkeleri için
Elektrik donanımını ve batarya kutusunu evsel atıklarla birlikte bertaraf etmeyiniz!
Atık Elektrikli ve Elektronik Donanımlar, Piller ve Akümülatörler ve Atık Piller ve Akümülatörler konusundaki Avrupa Direktifleri ve bunların ulusal yasalara uygulanmaları uyarınca, kullanım ömürleri biten elektrikli donanımların, pillerin ve pil takım(lar)ının ayrı toplanmaları ve çevreye uyumlu bir geri dönüşüm tesisine getirilmeleri gereklidir.



İçilir su musluğuna bağlamayın.



Jeti kendiniz dahil insanlara, hayvanlara ve akım çeken elektrikli cihazlara doğrultmayın.

Kullanım amacı

Bu alet, inatçı kirleri su jeti kullanarak temizlemek için tasarlanmıştır. Bu alet, evde kullanım için tasarlanmıştır.

Gürültü

Tipik A-ağırlıklı gürültü düzeyi (EN60335-2-79 standardına göre belirlenen):

Ses basınç seviyesi (L_{PA}): 70,9 dB (A)

Belirsizlik (K): 3,6 dB (A)

İşlem sırasında gürültü seviyesi 80 dB (A)'yi geçebilir.

NOT: Beyan edilen gürültü emisyonu değer(ler)i bir standart test yöntemine uygun şekilde ölçülmüştür ve bir aleti bir başkasıyla karşılaştırmak için kullanılabılır.

NOT: Beyan edilen gürültü emisyonu değeri(ler) i bir ön maruz kalma değerlendirmesi olarak da kullanılabılır.

⚠UYARI: Kulak koruyucuları takın.

⚠UYARI: Elektrikli aletin gerçek kullanımı sırasındaki gürültü emisyonu, aletin kullanım biçimlerine, özellikle işlenen iş parçasının türüne bağlı olarak beyan edilen değer(ler)den farklı olabilir.

⚠UYARI: Gerçek kullanım koşullarındaki tahmini maruziyeti baz alan, operatörü koruyacak güvenlik önlemlerini mutlaka belirleyin (çalışma döngüsü içerisinde aletin kapalı olduğu ve aktif durumda olmasının yanı sıra boşta çalıştığı zamanlar gibi, bütün zaman dilimleri göz önünde bulundurarak).

Titreşim

Titreşim toplam değeri (üç eksenli vektör toplamı) (EN60335-2-79 standardına göre hesaplanan):

Titreşim emisyonu (a_{h}): 2,5 m/s² den az
Belirsizlik (K) : 1,5 m/s²

NOT: Beyan edilen titreşim toplam değer(ler)i bir standart test yöntemine uygun şekilde ölçülmüştür ve bir aleti bir başkasıyla karşılaştırmak için kullanılabilir.

NOT: Beyan edilen titreşim toplam değer(ler)i bir ön maruz kalma değerlendirmesi olarak da kullanılabilir.

⚠UYARI: Elektrikli aletin gerçek kullanımı sırasındaki titreşim emisyonu, aletin kullanım biçimlerine, özellikle işlenen iş parçasının türüne bağlı olarak beyan edilen değer(ler)den farklı olabilir.

⚠UYARI: Gerçek kullanım koşullarındaki tahmini maruziyeti baz alan, operatörü koruyacak güvenlik önlemlerini mutlaka belirleyin (çalışma döngüsü içerisinde aletin kapalı olduğu ve aktif durumda olmasının yanı sıra boşta çalıştığı zamanlar gibi, bütün zaman dilimleri göz önünde bulundurarak).

EC Uygunluk Beyanı

Sadece Avrupa ülkeleri için

EC uygunluk beyanı bu kullanım kılavuzuna Ek A olarak eklenmiştir.

ÖNEMLİ GÜVENLİK UYARILARI

⚠UYARI: Tüm güvenlik uyarılarını ve tüm talimatları okuyun. Uyarılara ve talimatlara uyulmaması elektrik şoku, yangın ve/veya ciddi yaralanmalar ile sonuçlanabilir.

Tüm uyarıları ve talimatları iletiride başvurmak için saklayın.

UYARI - Bu ürünü kullanırken aşağıdakiler de dahil olmak üzere temel önlemler mutlaka takip edilmelidir: Çalışma alanı güvenliği

1. Tüm insanları çalışma alanından uzak tutun.
2. Dengesiz desteklerin üzerinden uzanmayın veya bunların üzerinde durmayın. Daima sağlam ve dengeli basın.

3. Basınçlı yıkama makinasının gövdesini daima düz ve sabit bir yüzeyin üzerine koyun. Püskürtülen suyun akacağı veya birikeceği alanlardan kaçının.
4. Temizleme öncesinde etrafı ve temizlenecek nesnelere kontrol edin. Basınçlı jetler zehirli kimyasallar da dahil olmak üzere boya veya diğer yüzey kaplamalarını kazıyarak çıkarabilir. Gerekirse önleyici tedbirler alın.
5. Basınçlı yıkama makinasının hortumuna takılarak düşmemeye dikkat edin. Çalışma sırasında hortumun yerleşiminin daima farkında olun.
6. Kullanım sırasında basınçlı yıkama makinasının alt kısmından az miktarda su çıkar. Basınçlı yıkama makinasını ıslanmasını istemediğiniz yerlere yerleştirmekten kaçının.

Kişisel güvenlik

1. Jete ve jetin fırlattığı nesnelere karşı korunmak için operatörler güvenlik ayakkabısı, güvenlik eldiveni, vizörlü güvenlik kaskı, kulak tıkacı, vb. uygun giysi giymeli ve koruyucu ekipman takmalıdır.
2. Basınçlı yıkama makinasını, koruyucu giysi giymiyorsa insanlara erişebilecek mesafede kullanmayın.
3. Yaralanma riskini azaltmak için ürün çocukların yanında kullanılırken yakın nezaret gereklidir.
4. İçilir su sistemine bağlantı yapılırsa sistem, geri akışa karşı korunmalıdır.
5. Geri akış emelleyicisi üzerinden akan su, güvenli olmayan su olarak değerlendirilir.

Elektrik güvenliği

1. Batarya kartuşlarına asla ıslak elle ellemeyin.
2. Makinanın örneğin güvenlik aygıtları, yüksek basınç hortumları veya tetikli tabanca gibi önemli parçaları hasarlıysa makineyi kullanmayın.

Elektrikli aletlerin kullanımı ve bakımı

1. Ürünü kullanmadan önce tüm talimatları okuyun.
2. Basınçlı yıkama makinasını ve basınçlı kaçaklarını hızlı bir şekilde nasıl durduracağınızı bilin. Kumandaları ayrıntılarıyla tanıyın.
3. Basınçlı jetler, yanlış kullanılmaları durumunda tehlikeli olabilir. Jet insanlara, akım çeken elektrikli cihazlara veya makinanın kendisine doğrultulmamalıdır.
4. Bu makina, çocuklar da dahil olmak üzere fiziksel, duyuşsal veya zihinsel engelli ya da tecrübe ve bilgisi olmayan kişiler tarafından kullanılmak üzere tasarlanmamıştır.
5. Cihazla oynamadıklarından emin olmak için çocuklar kontrol altında bulundurulmalıdır.
6. Yanıcı ve/veya zehirli sıvıları püskürtmeyin. Patlamaya, zehirlenmeye veya makinanın hasar görmesine neden olabilir.
7. Giysi veya ayakkabıları temizlemek için jeti kendinize veya diğer insanlara doğrultmayın.
8. Yüksek basınç hortumları, bağlantı parçaları ve rakorlar makinanın güvenliği için önemlidir. Yalnızca üretici tarafından önerilen hortumları, bağlantı parçalarını ve rakorları kullanın.
9. Aksesuarları değiştirirken talimatları izleyin.

10. Makinenin tutamaklarını kuru, temiz ve yağ veya gresten temiz tutun.
 11. Dikkatli olun - ne yaptığınızı dikkat edin.
 12. Yorgunken veya alkol ya da ilaçların etkisi altındayken ürünü kullanmayın.
 13. Basınçlı yıkama makinasını susuz bir dakikadan daha uzun çalıştırmayın. Motora hasar vererek arızaya sonuçlanabilir.
 14. Basınçlı yıkama makinasını gözetimsiz bırakırken daima elektriği ve su şebekesini kapatın.
 15. Geri tepmeye karşı uyanık olun. Basınçlı jet nozoldan püskürtülürken tetikli tabanca geri teper. Kazara yaralanmaları engellemek için tetikli tabancayı sıkıca tutun.
 16. Kullanmadan önce hasarlı veya eskimiş parça olup olmadığını kontrol edin. Ayrıca hortumun düzgün bir şekilde bağlandığından ve çalışma sırasında kaçak olmadığından emin olun. Makinanın fonksiyonel kusurlarla çalıştırılması kazaya neden olabilir.
 17. Bu makina, birlikte verilen veya üretici tarafından önerilen temizlik maddesi ile kullanım için tasarlanmıştır. Diğer temizlik maddelerinin veya kimyasalların kullanılması makinanın güvenliğini olumsuz yönde etkileyebilir.
 18. Basınçlı yıkama makinasının gövdesini taşımak için hortumu çekmeyin. Bu işlem hortuma ve bağlantı parçalarına hasar verir ve kısa devreye veya fonksiyonel kusurlara neden olur.
 19. Hortumun üzerine ağır nesnelere koymayın veya araçların üzerinden geçmesine izin vermeyin.
 20. Hortumu ayırmadan önce tetikli tabancadaki artık basıncı mutlaka boşaltın.
 21. Hortumu su şebekesine bağlarken yerel su idaresinin veya firmasının talimatlarına uyun.
 22. Basınçlı yıkama makinası düşürülür veya sert bir nesneye çarpılırsa mutlaka hasar ve çatlamaya karşı kontrol edin. Basınçlı yıkama makinasının hasarlı kullanılması yaralanmaya yol açacak duman, alev üretebilir veya elektrik çarpmasına neden olabilir.
 23. Basınçlı yıkama makinalarının kullanımı sırasında aerosoller oluşabilir. Aerosollerin solunması sağlığa zararlı olabilir.
 24. Uygulamaya bağlı olarak, basınçlı temizlik için sulu aerosollerin emisyonunu önemli ölçüde düşürecek korumalı nozullar kullanılabilir. Bununla birlikte bazı uygulamalar bu tür aygıtların kullanımına izin vermez. Aerosollere karşı koruma için korumalı nozullar uygulanabilir değilse temizleme ortamına bağlı olarak FFP 2 sınıfı veya eşdeğeri bir solunum maskesi gerekebilir.
 25. İstem dışı çalışmayı önleyin. Batarya kutusuna takmadan, cihazı elinize uygulamadan veya taşımadan önce düğmenin kapalı konumda olduğundan emin olun. Cihazı parmağınız düğmenin üzerinden taşıma ya da düğme açık konumundayken cihaza güç verme kazalara davetiye çıkarır.
 26. Herhangi bir ayarlama yapmadan, aksesuar değiştirmeden ya da cihazı saklamadan önce batarya kutusunu cihazdan ayırın. Bu önleyici güvenlik önlemleri cihazı kazayla çalıştırma riskini azaltır.
 27. Cihazı veya batarya kutusunu, kullanım ve bakım talimatlarında belirtilenlerin dışında modifiye etmeyin ya da onarmaya çalışmayın.
 28. **UYARI - Enjeksiyon veya Yaralanma Riski - Çıkan Su Akımını İnsanlara Doğruğultmayın.**
- Bataryalı aletin kullanımı ve bakımı**
1. **Sadece üretici tarafından belirtilen şarj aleti ile şarj edin.** Bir batarya kutusu için uygun olan şarj cihazı başka bir batarya kutusu ile kullanıldığında yangın riski oluşturabilir.
 2. **Elektrikli aletleri sadece özel olarak belirtilen batarya kutuları ile kullanın.** Başka batarya kutularının kullanımı yaralanma ve yangın riski oluşturabilir.
 3. **Batarya kutusu kullanılmadığında; iki terminal arasında bağlantı kurulmasına sebep olabilecek ataç, bozuk para, anahtar, çivi, vida gibi metal nesnelere ya da küçük metal objelere uzak tutun.** Batarya terminallerine kısa devre yaptırmak yanıklara ya da yangına yol açabilir.
 4. **Kötü koşullarda bataryadan sıvı sızabilir; bu sıvıya temas etmeyin. Eğer istemeden bir temas olursa suyla yıkayın. Sıvı göze temas ederse, suyla yıkadıktan sonra tıbbi yardım alın.** Bataryadan çıkan sıvı tahrişe ya da yanıklara neden olabilir.
 5. **Batarya kutusu ya da alet hasar görmüşse ya da üzerinde değişiklik yapılmışsa batarya kutusunu kullanmayın.** Hasar görmüş ya da üzerinde değişiklik yapılmış batarya kutuları yangın, patlama ya da yaralanma riski ile sonuçlanan beklenmedik davranışlar sergileyebilir.
 6. **Batarya kutusunu veya aleti ateşe ya da aşırı sıcaklıklara maruz bırakmayın.** Ateşe ya da 130 °C'nin üzerindeki sıcaklıklara maruz bırakmak patlamaya neden olabilir.
 7. **Tüm şarj talimatlarına uyun ve batarya kutusunu ya da aleti yönergelerde belirtilen sıcaklık aralığının dışındaki sıcaklıklarda şarj etmeyin.** Uygun olmayan bir şekilde ya da belirtilen sıcaklık aralığının dışında şarj etmek bataryaya zarar verebilir ve yangın riskini artırabilir.
- Servis**
1. **Kılavuzda belirtilen bakım talimatlarını izleyin.**
 2. **Makina güvenliğini sağlamak için sadece üreticinin orijinal yedek parçalarını veya üretici onaylı yedek parçaları kullanın.**
 3. **Basınçlı yıkama makinasını, sadece orijinal yedek parçaları kullanarak kalifiye onarım personeline tamir ettirin. Bu, basınçlı yıkama makinasının güvenliğinin korunmasını sağlar.**
 4. **Basınçlı yıkama makinasının bozulması veya arızalanması durumunda derhal makinaı kapatın ve batarya kartuşunu(kartuşlarını) çıkarın. Yerel bayi veya servise başvurun.**
- Ek güvenlik uyarıları**
1. **Yerel su tedarik şirketinin gereksinimlerine uyun.**
 2. **Yıldırım riski varken aleti kullanmayın.**
 3. **Aleti çamurlu zeminde, ıslak yamaçlarda veya kaygan yerlerde kullanırken dengeye dikkat edin.**
 4. **Yüksek kullanıcı yorgunluğunun beklendiği kötü ortamlarda çalışmaktan kaçının.**

5. Bataryayı yağmurda değiştirmeyin.
6. Aleti su birikintisine sokmayın.
7. Aleti dışarıda yağmur altında gözetimsiz bırakmayın.
8. Yağmurdan dolayı emme ağzına (havalandırma penceresi) ıslak yapraklar veya pislik yapışırsa bunları temizleyin.
9. Aleti yüksek basınçlı su ile yıkamayın.
10. Aleti yıkarken batarya, motor ve terminaler gibi elektrik mekanizmasına su girmesine izin vermeyin.
11. Aleti depolarken doğrudan güneş ışığı ve yağmurdan sakının, ısınmayacak veya nemlenmeyecek bir yerde depolayın.
12. Kontrol veya bakımı, yağmurdan sakınılabilecek bir yerde yapın.
13. Aleti kullandıktan sonra yapışan pislikleri temizleyin ve depolamadan önce aleti tamamen kurutun. Mevsim veya bölgeye bağlı olarak donma kaynaklı arıza riski vardır.
14. Batarya bağlantı uçlarını su gibi sıvılarla ıslatmayın ya da bataryayı sıvılara sokmayın. Bataryayı yağmurda bırakmayın veya bataryayı nemli ya da ıslak yerlerde şarj etmeyin, kullanmayın veya depolamayın. Bağlantı uçları ıslanır veya bataryanın içine sıvı girerse batarya kısa devre olabilir ve aşırı ısınma, yangın veya patlama riski ortaya çıkar.
15. Bataryayı alet veya şarj aletinden çıkardıktan sonra mutlaka bataryaya batarya kapakını takın ve kuru bir yerde depolayın.
16. Bataryayı ıslak ellerle değiştirmeyin.

Ek güvenlik uyarıları

1. Yerel su tedarik şirketinin gereksinimlerine uyun.
2. Bu cihazla batarya adaptörü veya taşınabilir güç ünitesi gibi kablolu güç kaynağı kullanmayın. Bu tür güç kaynaklarının kablolu çalışmayı engelleyebilir ve yaralanmaya neden olabilir.

BU TALİMATLARI SAKLAYIN.

⚠UYARI: Ürünü kullanırken (defalarca kullanınca kazanılan) rahatlık ve tanıdıklık duygusunun ilgili ürünün güvenlik kurallarına sıkı sıkıya bağlı kalmanızı yerine geçmesini İZİN VERMEYİN.

YANLIŞ KULLANIM veya bu kullanma kılavuzunda belirtilen emniyet kurallarına uymama ciddi yaralanmaya neden olabilir.

Batarya kartuşu hakkında önemli güvenlik talimatları

1. Batarya kartuşunu kullanmadan önce, tüm talimatları ve (1) batarya kartuşu, (2) batarya ve (3) ürün üzerindeki tüm uyarı işaretlerini okuyun.
2. Batarya kartuşunu demonte etmeyin.
3. Çalışma süresi aşırı derecede kısalmışsa kullanmayı derhal bırakın. Aşırı ısınma, yanma riski hatta patlamaya neden olabilir.
4. Gözünüzü elektrolit kaçarsa, gözlerinizi temiz suyla durulayın ve hemen tıbbi yardım alın. Görme kaybına yol açabilir.

5. Batarya kartuşuna kısa devre yaptırmayın:
 - (1) Terminallere herhangi bir iletken madde değiştirmeyin.
 - (2) Batarya kartuşunu çiviler, madeni paralar, vb. gibi başka metal nesnelere aynı kaba koymaktan kaçının.
 - (3) Batarya kartuşunu yağmura ya da suya maruz bırakmayın.

Kısa devre, büyük bir akım akışına, aşırı ısınmaya, olası yangınlara hatta bataryanın bozulmasına yol açabilir.
6. Aleti ve batarya kartuşunu sıcaklığın 50°C ya da daha yükseğe ulaştığı yerlerde saklamayın.
7. Aşırı derecede hasar görmüş ya da tamamen kullanılamaz durumda olsa bile batarya kartuşunu kullanmayın. Batarya kartuşu ateşe atılsın patlayabilir.
8. Bataryayı düşürmemeye ve çarpmamaya dikkat edin.
9. Hasarlı bataryayı kullanmayın.
10. Aletin içerdği lityum-iyon bataryalar Tehlikeli Eşyalar Yönetmeliğinin gereksinimlerine tabidir. Ticari nakliye işlemleri için, örneğin üçüncü taraflar, nakliye acenteleri tarafından yapılan nakliyelerde, paketlenme ve etiketleme gereksinimlerine uyulmalıdır. Nakliyesi yapılacak ürünün hazırlanması için, tehlikeli maddeler konusunda uzman bir kişiye danışın. Lütfen muhtemelen daha ayrıntılı olan ulusal yönetmeliklere de uyun. Açık kontakları bantlayın ya da maskeleyin ve bataryayı paketin içinde hareket etmeyecek şekilde paketlenin.
11. Batarya kartuşunu bertaraf ederken aletten çıkarın ve güvenli bir yerde bertaraf edin. Bataryanın bertaraf edilmesi ile ilgili yerel düzenlemelere uyunuz.
12. Bataryaları sadece Makita tarafından belirtilen ürünlerle kullanın. Bataryaların uyumsuz ürünlere takılması; yangın, aşırı ısınma, patlama ya da elektrolit sızıntısına neden olabilir.
13. Alet uzun süre kullanılmıyacaksa batarya aletten çıkarılmalıdır.

BU TALİMATLARI MUHAFAZA EDİNİZ.

⚠DİKKAT: Sadece orijinal Makita bataryalarını kullanın. Orijinal olmayan Makita bataryaları ya da üzerine değişiklik yapılmış bataryaların kullanımı bataryanın patlamasına ve sonuç olarak yangın, kişisel yaralanma ve hasara neden olabilir. Ayrıca Makita aleti ve şarj aletinin Makita tarafından sunulan garantisini geçersiz olur.

Maksimum batarya ömrü için ipuçları

1. Batarya kartuşunu tamamen boşalmadan önce şarj edin. Aletin gücünün zayıflamasına başladığını fark ettiğinizde aleti durdurun ve batarya kartuşunu şarj edin.
2. Tam dolu bir batarya kartuşunu asla yeniden şarj etmeyin. Aşırı şarj etme bataryanın hizmet ömrünü kısaltır.
3. Batarya kartuşunu 10°C - 40°C oda sıcaklığında şarj edin. Sıcak bir batarya kartuşunu şarj etmeden önce soğumasını bekleyin.
4. Uzun bir süre (altı aydan daha fazla) kullanmadığınız durumlarda batarya kartuşunu şarj edin.

İŞLEVSEL NİTELİKLER

⚠ DİKKAT: Alet üzerinde ayarlama veya işleyiş kontrolü yapmadan önce aletin kapalı ve batarya kartuşunun ayrılmış olduğundan daima emin olun.

Batarya kartuşunun takılması ve çıkarılması

⚠ DİKKAT: Batarya kartuşunu takmadan ya da çıkarmadan önce aleti daima kapatın.

⚠ DİKKAT: Batarya kartuşunu takarken veya çıkarırken aleti ve batarya kartuşunu sıkıca tutun. Aletin ve batarya kartuşunun sıkıca tutulmaması bunların düşürülmesine sebep olabilir ve alet ve batarya kartuşunun zarar görmesine ya da ciddi yaralanmasına yol açabilir.

Batarya kartuşunu takmak için kilitleme mandalına bastırarak kapağı açın. Batarya kartuşu üstündeki dili yuvadaki olukla hizalayın ve yerine kaydırın. Hafif bir tık sesi duyulana kadar itip yerine tam oturmasını sağlayın. Düğmenin üst tarafındaki kırmızı göstergeler görünüyorsa tam yerine kilitlenmemiş demektir. Batarya kartuşlarını taktikten veya çıkardıktan sonra kapağı mutlaka kapatın.

► **Şek.1:** 1. Kapak 2. Kilitleme mandalı

Batarya kartuşlarını çıkarmak için kartuşun ön kısmındaki düğmeye bastırarak batarya kartuşunu kaldırın.

► **Şek.2:** 1. Kırmızı göstergeler 2. Düğme 3. Batarya kartuşu

⚠ DİKKAT: Batarya kartuşunu daima kırmızı göstergeler görünmeyecek şekilde tam olarak takın. Yerine tam oturmazsa, aletten yanlışlıkla düşebilir, sizin ya da çevrenizdeki kişilerin yaralanmasına neden olabilir.

⚠ DİKKAT: Batarya kartuşunu zorlayarak takmayın. Kartuş kolay bir şekilde kaymıyorsa doğru yerleştirilmemiş demektir.

⚠ DİKKAT: Çalıştırmadan önce kapağı mutlaka kilitleyin.

Alet/batarya koruma sistemi

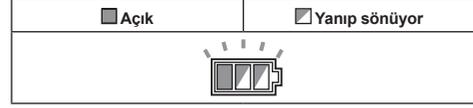
Bu alet bir alet/batarya koruma sistemi ile donatılmıştır. Bu sistem motora giden gücü otomatik olarak keserek uzun alet ve batarya ömrü sağlar. Alet veya batarya için aşağıdaki durumlardan biri söz konusu olduğunda aletin işleyişi otomatik olarak durur:

Aşırı yük koruması

Batarya, anormal derecede yüksek akım çekmesine neden olacak şekilde kullanıldığında, alet hiçbir belirti vermeden otomatik olarak durur. Bu durumda, aleti kapatın ve aletin aşırı yüklenmesine neden olan uygulamayı durdurun. Daha sonra aleti yeniden başlaması için çalıştırın.

Aşırı ısınma koruması

Alet aşırı ısındığında otomatik olarak durur ve batarya göstergesi yanıp söner. Bu durumda, yeniden çalıştırmadan önce aletin soğumasını bekleyin.



Aşırı deşarj koruması

Batarya kapasitesi yeterli olmadığında, alet otomatik olarak durur. Bu durumda, bataryayı aletten çıkarın ve bataryayı tekrar şarj edin.

Kalan batarya kapasitesinin gösterilmesi

Sadece göstergeli batarya kartuşları için

► **Şek.3:** 1. Göstergeler 2. Kontrol düğmesi

Kalan batarya kapasitesini göstermesi için batarya kartuşu üzerindeki kontrol düğmesine basın. Göstergeler lambaları birkaç saniye yanar.

Göstergeler lambaları			Kalan kapasite
Yanıyor	Kapalı	Yanıp söntüyor	
■	□	◐	%75 ila %100
■	■	□	%50 ila %75
■	□	□	%25 ila %50
■	□	□	%0 ila %25
◐	□	□	Bataryayı şarj edin.
■	■	□	Batarya arızalanmış olabilir.
□	□	■	

NOT: Kullanım koşullarına ve ortam sıcaklığına bağlı olarak, gösterilen değer gerçek kapasiteden biraz farklılık gösterebilir.

Kalan batarya kapasitesinin gösterilmesi

ÖNEMLİ NOT: Güç düğmesi Kapalı konumdayken batarya göstergesi yanmaz. Kalan batarya kapasitesini kontrol etmek için güç düğmesini yüksek veya düşük basınç moduna çevirin.

Kalan batarya kapasitesini göstermesi için kontrol düğmesine basın. Batarya göstergelerinin her biri bir bataryaya karşılık gelir.

► **Şek.4:** 1. Batarya göstergesi 2. Kontrol düğmesi

Batarya göstergesi durumu			Kalan pil kapasitesi
Açık	Kapalı	Yanıp sönüyor	
			%50 ila %100
			%20 ila %50
			%0 ila %20
			Bataryayı şarj edin

Güç düğmesi

ÖNEMLİ NOT: Güç düğmesini zorlayarak çevirmeyin. Düğmenin arızalanmasına neden olabilir.

Basınç seviyesine bağlı olarak güç düğmesini saat yönünde veya saatin aksi yönünde çevirin. Güç düğmesini yüksek basınç modu için saat yönünde, düşük basınç modu için saatin aksi yönünde çevirin.

► **Şek.5:** 1. Düşük basınç modu 2. Kapalı konum 3. Yüksek basınç modu

NOT: Güç düğmesini yüksek yük veya düşük basınç moduna çevirirken batarya göstergeleri birkaç saniyelikliğine yanar.

Nozul fonksiyonları

NOT: Standart nozullar ülkeye göre değişir. Diğer nozullar için İSTEĞE BAĞLI AKSESUARLAR kısmına da bakın.

Püskürtme borusu

Ülkeye özgü

► **Şek.6**

Nozulun ön ucu döndürülerek jet genişliği 0° ile 25° arasında ayarlanabilir.

⚠DİKKAT: Jet genişliğini ayarlarken nozulu tetikli tabancaya doğru çekerken döndürmeyin. Nozul tetikli tabancadan çıkabilir ve yaralanmaya neden olabilir.

Kir giderici

Ülkeye özgü

► **Şek.7**

Spiral jet püskürtülür. İnatçı kirleri temizlemek için uygundur.

ÖNEMLİ NOT: Kir gidericiyi camlar veya araç kaportaları gibi kırılabilir yüzeyleri temizlemek için kullanmayın.

Tetik işlemleri

Su jeti püskürtmek için tetiği çekin. Tetik basılı olduğu sürece jet devam eder. Tetikli tabancayı güvenli kullanmak için tetik kilitlenebilir. Tetiği kilitlemek için durdurucuyu çekip çıkararak kabza üzerindeki kanala geçirin.

► **Şek.8:** 1. Tetik 2. Durdurucu 3. Kanal

ÖNEMLİ NOT: Basınç anahtarında mekanik hatayı engellemek için tetik işlemleri arasında her zaman iki saniye aralık bırakın.

Güvenlik vanası

Bu cihaz, aşırı fazla basıncı engellemek için bir güvenlik vanası ile donatılmıştır. Tetik bırakıldığında vana açılır ve pompa girişi aracılığıyla su devridaim eder.

⚠DİKKAT: Güvenlik vanası ayarını kurcalamayın veya ayarlamayın.

Tank/su deposundan su sağlanması

Musluk yerine tank veya su deposundan su sağlayabilirsiniz.

Su hortumu rakorunu emme hortum seti ile değiştirin. Emme hortum setini bağlarken filtre mahfazasını hortumdan ayırarak filtre mahfazasını basınçlı yıkama makinasının girişine takın. Daha sonra hortumu filtre mahfazasına bağlayın.

NOT: Hortumu filtre mahfazasından/mahfazasına çıkarırken/bağlarken hortumun manşon ile birlikte dönmemesi için hortumu tutarak manşonu çevirin.

► **Şek.9:** 1. Tank/su deposu 2. Emme hortum seti 3. Su hortumu rakoru 4. Hortum 5. Filtre mahfazası 6. Basınçlı yıkama makinası üzerindeki giriş 7. Hortum kelepçesi 8. Manşon

⚠DİKKAT: Manşonu filtre mahfazasına takarken elinizin hortum kelepçesi ile incinmemesine dikkat edin.

ÖNEMLİ NOT: Daima Makita'nın emme hortum setini kullanın.

ÖNEMLİ NOT: Basınçlı yıkama makinasının girişi ile su yüzeyi arasındaki yüksekliği daima en fazla 1 m (3,28 ft) olacak şekilde tutun. Aksi takdirde basınçlı yıkama makinası suyu pompaya çekemeyecektir.

Suyu hortuma almak için nozulu tetikli tabancadan çıkarın ve tetik basılıyken basınçlı yıkama makinasını açın. Su tetikli tabancadan sabit bir şekilde püskürtülmeye başladığında tetiği bırakın ve amacınıza uygun nozulu takın.

► **Şek.10:** 1. Tetikli tabanca

NOT: Su püskürtülmezken emme hortum setini ayırın ve suya sokun. Daha sonra basınçlı yıkama makinasına tekrar takın.

► **Şek.11:** 1. Emme hortum seti

Muhafaza kutusunu su tankı olarak kullanırken

Basınçlı yıkama makinası (ülkeye özgü) ile verilen muhafaza kutusunu bir su tankı olarak kullanabilirsiniz.

1. Muhafaza kutusunu boşaltın ve içini suyla doldurun.
► **Şek.12:** 1. Tam su seviyesi çizgisi

ÖNEMLİ NOT: Su doldururken tam su seviyesi çizgisini geçmeyin.

ÖNEMLİ NOT: Muhafaza kutusunun kapağı su geçirmez tipte değildir. Taşırken muhafaza kutusundaki suyu dökmeye dikkat edin.

2. Filtre mahfazasını emme hortum seti hortumundan ayırın.
► **Şek.13:** 1. Hortum 2. Filtre mahfazası
3. Besleme suyu girişindeki kapağı çıkarın ve emme hortum setini şekilde gösterildiği gibi girişten geçirin.
► **Şek.14:** 1. Kapak 2. Kapak yuvası 3. Besleme suyu girişi 4. Emme hortum seti

NOT: Besleme suyu girişindeki kapak, kapak yuvasında bırakılabilir.

4. Su hortumu rakorunu, basınçlı yıkama makinasının girişinden çıkarın. Ondandır sonra filtre mahfazasını girişe ve ardından hortumu filtre mahfazasına bağlayın.
► **Şek.15:** 1. Basınçlı yıkama makinasının girişi 2. Filtre mahfazası 3. Su hortumu rakoru 4. Hortum
5. Basınçlı yıkama makinasını, muhafaza kutusunun kapagındaki kulaklarca sabitlenecek şekilde muhafaza kutusuna yerleştirin.
► **Şek.16:** 1. Basınçlı yıkama makinası 2. Kapak 3. Hava boşaltma deliği

ÖNEMLİ NOT: Taşırken muhafaza kutusunun tutulmasına dikkat edin. İçinde basınçlı yıkama makinası ve aksesuarlar ile su bulunan muhafaza kutusunu taşımak, kendi ağırlığından dolayı kaza veya yaralanmaya neden olabilir.

ÖNEMLİ NOT: Muhafaza kutusunu taşırken sallamayın, devirmeyin veya aşırı meyil vermeyin. Aksi takdirde:

- içerideki suyun dökülmesine;
- kapak üzerindeki basınçlı yıkama makinasının muhafaza kutusundan düşmesine veya;
- muhafaza kutusunun tekerleklerinin dönmesinin engellenmesine; neden olabilir.

ÖNEMLİ NOT: Muhafaza kutusunu koldan tutarak taşırken içinde çok fazla su varsa su dökülebilir.

ÖNEMLİ NOT: Muhafaza kutusu yatırıldığında içindeki su hava boşaltma deliğine ulaşırsa hava boşaltma deliğinden su çıkabilir.

ÖNEMLİ NOT: Muhafaza kutusunun üzerine basmayın. Kapak kırılabilir.

ÖNEMLİ NOT: Muhafaza kutusunu uzun süre su dolu bırakmayın. Aksi takdirde muhafaza kutusunun hasar görmesine neden olabilir ve su sızıntısına yol açabilir.

Kullandıktan sonra aşağıdaki prosedürü izleyin:

1. Boşaltma çıkışının üzerindeki kapağı çıkarın ve suyu boşaltın.
► **Şek.17:** 1. Boşaltma çıkışı
2. Muhafaza kutusunun içindeki nemi bir bezle silin ve ardından muhafaza kutusunu tamamen kurutun.

ÖNEMLİ NOT: Basınçlı yıkama makinasını ve aksesuarları, muhafaza kutusunun içi ıslakken saklamayın. Kalan nem arızaya ve pasa neden olabilir.

MONTAJ

⚠DİKKAT: Alet üzerinde herhangi bir iş yapmadan önce aletin kapalı ve batarya kartuşunun ayrılmış olduğundan daima emin olun.

Yüksek basınç hortumunun bağlanması

Yüksek basınç hortumunu (tabanca işareti olan) çıkışa bağlayın. Yüksek basınç hortumunun üzerindeki somunu saat yönünde çevirerek çıkışın vida dişine vidalayın.

- **Şek.18:** 1. Çıkış 2. Somun

⚠DİKKAT: Yüksek basınç hortumunun sağlam bir şekilde bağlandığından emin olun. Gevşek bağlantı yüksek basınç hortumunu fırlatarak yaralanmaya neden olabilir.

Tetikli tabancanın takılması

Yüksek basınç hortumunu tetikli tabanca üzerindeki girişe bağlayın. Yüksek basınç hortumunun üzerindeki somunu saat yönünde çevirerek giriş üzerindeki vida dişine vidalayın.

- **Şek.19:** 1. Giriş 2. Somun

⚠DİKKAT: Yüksek basınç hortumunun sağlam bir şekilde bağlandığından emin olun. Gevşek bağlantı yüksek basınç hortumunu fırlatarak yaralanmaya neden olabilir.

Musluğa bağlama

⚠DİKKAT: Daima çapı ø13 mm veya daha büyük olan basınca dayanıklı bir su hortumu kullanın ve uygun bağlantı parçaları ile musluğa bağlayın. Aksi takdirde su hortumu ve/veya bağlantı parçası koparak yaralanmaya neden olabilir.

ÖNEMLİ NOT: Mümkün olduğu kadar kısa bir basınca dayanıklı su hortumu kullanın. Emme suyu miktarı pompanın maks. besleme hacminden yüksek olmalıdır.

ÖNEMLİ NOT: İçme suyu şebekesine bağlayacaksanız bölgenizdeki mevzuatı karşılayan bir geri akış engelleme vanası kullanın.

Basınca dayanıklı bir su hortumu hazırlayın. Aşağıda anlatıldığı gibi bağlantı manşonunu bir uca takın ve diğer ucu musluğa bağlayın.

1. Bağlantı manşonu üzerindeki somunu çıkarın ve basınca dayanıklı su hortumunu somundan geçirin. Hortumun ucunu bağlantı manşonuna sokun ve daha sonra somunu sıkın.

- **Şek.20:** 1. Basınca dayanıklı su hortumu
2. Bağlantı manşonu somunu 3. Bağlantı manşonu

NOT: Basınca dayanıklı su hortumunu musluğa bir bağlantı manşonu ile bağlamak isterseniz başka bir bağlantı manşonu hazır edin ve manşonu hortumun diğer ucuna takın.

2. Basınca dayanıklı su hortumunu musluğa bağlayın. Hortumun ucunu musluğa sabitlemek için hortum kelepçesi veya musluk rakoru gibi uygun bir bağlantı parçası kullanın.

- **Şek.21:** 1. Hortum kelepçesi 2. Musluk rakoru
3. Basınca dayanıklı su hortumu

NOT: Bağlantı parçası, bağlayacağınız musluğun şeklinde bağlıdır. Piyasadan alınan uygun bir bağlantı parçası kullanın.

3. Su hortumu rakorunu (musluk işareti olan) girişe takın ve daha sonra bağlantı manşonunu geçirin.

- **Şek.22:** 1. Bağlantı manşonu 2. Su hortumu rakoru
3. Basınçlı yıkama makinası üzerindeki giriş

Nozulun takılması/çıkarılması

⚠DİKKAT: Nozulu takarken/çıkarırken tetikli tabancanın tetiğini daima kilitleyin.

Nozulun ucunu tetikli tabanca üzerindeki yuvaya sokun ve şekilde gösterildiği gibi ok yönünde çevirin. Nozulu ayırmak için nozulu, tetikli tabancaya doğru bastırarak ters yönde çevirin.

- **Şek.23:** 1. Tetikli tabanca 2. Yuva 3. Nozulun ucu

Köpük nozulunun takılması

İsteğe bağlı aksesuar

⚠DİKKAT: Nozulu takarken/çıkarırken tetikli tabancanın tetiğini daima kilitleyin.

Köpük nozulunu kullanmadan önce bir deterjan hazırlayın.

1. Nozulu saatin aksi yönüne döndürerek kaptan çıkarın. Nozulu tetikli tabancaya takın.

- **Şek.24:** 1. Nozul 2. Tetikli tabanca

2. Deterjanı kaba boşaltın ve kabı nozula takın.

- **Şek.25:** 1. Kap

ÖNEMLİ NOT: Daima nötr deterjan kullanın. Asitli veya alkali deterjan kaba veya nozula zarar verebilir.

Plastik taşıma çantasını muhafaza kutusuna yerleştirme

İsteğe bağlı aksesuar

Makita plastik taşıma çantasını muhafaza kutusunun üzerine yerleştirebilirsiniz. Plastik taşıma çantasını, muhafaza kutusunun kapağındaki kulaklarca sabitlenecek şekilde muhafaza kutusuna yerleştirin.

- **Şek.26:** 1. Plastik taşıma çantası 2. Kulak

Muhafaza kutusunu yük arabasına yerleştirme

İsteğe bağlı aksesuar

Muhafaza kutusunu Makita yük arabası ile taşıırken muhafaza kutusunu yerine yerleştirin. Muhafaza kutusunun alt kısmının yük arabası platformuna oturduğundan emin olun.

- **Şek.27:** 1. Muhafaza kutusunun alt yüzeyi 2. Yük arabası platformu

⚠DİKKAT: Yük arabasını kullanırken muhafaza kutusunu su dolu biçimde taşımayın. Aksi takdirde denge kaybolabilir ve yaralanmaya yol açabilir ya da su sızıtısına neden olacak şekilde muhafaza kutusunun deforme olmasına sebep olabilir.

KULLANIM

⚠UYARI: Su jetine dokunmayın veya kendinize ya da başkalarına doğru doğrultmayın. Su jeti tehlikelidir ve size veya başkalarına zarar verebilir.

⚠UYARI: Su jetini kullanırken asla temizlediğiniz nesneyi tutmayın veya ellerinizi ve ayaklarınızı su jetinin yanına koymayın.

⚠DİKKAT: Su jetinin geri sekmesine ve fırlayan nesnelere karşı dikkatli olun. Nozulu nesneye 30 cm'den daha fazla yaklaştırmayın.

⚠DİKKAT: Basınçlı yıkama makinasını susuz 1 dakikadan daha uzun çalıştırmayın.

⚠DİKKAT: Basınçlı yıkama makinasını uzun süre çalıştırmayın. Aşırı ısınmaya veya yangına neden olabilir. Ayrıca uzun süreli kullanım titreşim hastalığına neden olabilir.

⚠DİKKAT: Rüzgarın yönüne dikkat edin.

Deterjan gözünüzü veya ağzınıza kaçarsa derhal temiz su ile yıkayın ve gerekirse doktora başvurun.

ÖNEMLİ NOT: Basınçlı yıkama makinasını 1 saatten daha uzun kullanmaktan kaçının. 1 saat kullandıktan sonra aynı süreyle mola verin.

ÖNEMLİ NOT: Basınçlı yıkama makinasının mekanizmasını korumak için 40°C'den daha sıcak su kullanmayın.

1. Yüksek basınç hortumunun bir ucunu tetikli tabancaya ve diğer ucunu basınçlı yıkama makinasına bağlayın.

2. Basınçlı yıkama makinasını bir su hortumu ile musluğa bağlayın. Ondan sonra musluğu açın.

► **Şek.28**

3. Kapağı açın ve batarya kartuşlarını basınçlı yıkama makinasına takın, ardından kapağı kilitleyin.

► **Şek.29:** 1. Batarya kartuşu 2. Kapak

4. Güç düğmesini istediğiniz moda çevirin.

► **Şek.30:** 1. Düşük basınç modu 2. Kapalı konum 3. Yüksek basınç modu

5. Su jeti püskürtmek için durdurucuyu açın ve tetiğe basın. Tetik basılı olduğu sürece jet devam eder.

► **Şek.31:** 1. Durdurucu

⚠DİKKAT: Tetikli tabancayı sıkıca tutun. Tetiğe bastığınızda tetikli tabanca geri teper.

⚠DİKKAT: Su jeti püskürtürken tetikli tabancayı daima kabzasından ve namlusundan tutun.

ÖNEMLİ NOT: Kullanım sırasında tetikli tabancayı kuvvetli bir biçimde çekmemeye dikkat edin. Basınçlı yıkama makinasının devrilmesine neden olabilir.

Çalışmaya ara verdiğinizde tetikli tabancayı şekilde gösterildiği gibi geçici olarak yerleştirebilirsiniz.

► **Şek.32**

Kullanım sonrası

⚠DİKKAT: Basınçlı yıkama makinasını kullandıktan sonra bu kılavuzda anlatılan prosedürü mutlaka uygulayın. Tetikli tabanca veya basınçlı yıkama makinasındaki artık basınç yaralanmaya veya içerideki pompanın hasar görmesine neden olabilir.

1. Basınçlı yıkama makinasını kapatın.

2. Musluğu kapatın ve su hortumunu basınçlı yıkama makinasından ayırın.

► **Şek.33**

3. Basınçlı yıkama makinasını tekrar açın.

4. Basınçlı yıkama makinasında kalan su boşalana dek tetiğe basın.

► **Şek.34**

ÖNEMLİ NOT: Motoru 1 dakikadan daha uzun çalıştırmayın.

5. Basınçlı yıkama makinasını kapatın ve batarya kartuşlarını çıkarın.

► **Şek.35:** 1. Güç düğmesi 2. Batarya kartuşu

6. Yüksek basınç hortumunu tetikli tabancadan ve basınçlı yıkama makinasından ayırın.

► **Şek.36:** 1. Tetikli tabanca 2. Yüksek basınç hortumu 3. Basınçlı yıkama makinası

ÖNEMLİ NOT: Yüksek basınç hortumunun zarar görmesini engellemek için depolamadan önce hortumda kalan suyu boşaltın.

BAKIM ve SAKLAMA

⚠DİKKAT: Alet üzerinde kontrol veya bakım işlemlerine başlamadan önce mutlaka aletin kapalı ve batarya kartuşunun çıkarılmış olduğundan emin olun.

ÖNEMLİ NOT: Benzin, tiner, alkol ve benzeri maddeleri kesinlikle kullanmayın. Renk değişimi, deformasyon veya çatlaklar oluşabilir.

Aleti EMNİYETLİ ve ÇALIŞMAYA HAZIR durumda tutmak için onarımlar, başka her türlü bakım ve ayarlamalar daima Makita yedek parçaları kullanılarak Makita yetkili servis merkezleri veya Fabrikanın Servis Merkezleri tarafından yapılmalıdır.

Nozulun temizlenmesi

Nozuldan kiri gidermek veya tıkanıklığı açmak için temizleme iğnesini kullanın.

► **Şek.37:** 1. Temizleme iğnesi

ÖNEMLİ NOT: Kir veya pisliği zorla gidermeyin. Yaralanmaya veya sapmış jet açıkları ya da düşük performansla yol açacak şekilde püskürtme deliğinin hasar görmesine neden olabilir.

Filtrenin temizlenmesi

Su hortumu rakorunu çıkarın ve filtrenin içindeki kir ve pisliği temizleyin.

► **Şek.38:** 1. Su hortumu rakoru 2. Filtre 3. Conta

Emme hortum setini (isteğe bağlı aksesuar) kullanarak filtreyi filtre mahfazasından çıkararak kir ve pisliği temizleyin.

► **Şek.39:** 1. Filtre 2. Filtre mahfazası

NOT: En uygun performansı korumak için filtreyi düzenli olarak temizleyin.

Depolama

⚠DİKKAT: Daima sıcaklığın donma noktasının altına düşmediği kapalı bir mekanda depolayın. Basınçlı yıkama makinası donar ve arızalanırsa onarım için yerel servisimize başvurun.

Aksesuarları, basınçlı yıkama makinasının yan cebinde saklayın.

Saklama örneği

► **Şek.40:** 1. Yüksek basınç hortumu 2. Nozul 3. Tetikli tabanca

Modelinizle birlikte muhafaza kutusu verilmişse basınçlı yıkama makinasını ve aksesuarları bu kutuda saklayın.

Saklama örneği

► **Şek.41:** 1. Basınçlı yıkama makinası 2. Nozul 3. Tetikli tabanca 4. Yıkama fırçası 5. Köpük nozulu 6. Yüksek basınç hortumu 7. Şarj aleti 8. Emme hortum seti 9. Basınca dayanıklı su hortumu

NOT: Şekilde gösterilen bazı aksesuarlar bazı ülkelerde isteğe bağlı aksesuarlar şeklinde sağlanır.

SORUN GİDERME

Onarım için servise gitmeden önce kontrolleri yapın. Kılavuzda açıklanmayan bir problemle karşılaşırsanız aleti demonte etmeyin. Bunun yerine, Makita Yetkili Servis Merkezlerine başvurun ve daima orijinal Makita yedek parçaları kullanın.

Anormal durum	Olası nedeni (arıza)	Çözümü
Yıkama makinası çalışmıyor.	Elektrik yok	Şarjlı batarya kartuşlarını takın.
	Düğme açık konumda değil.	Düğmeyi açık konuma alın.
	Pompada artık basınç	Tetiğe basın.
	Hasarlı batarya veya elektrik devresi	Onarım için yetkili servise başvurun.
Su jeti yok / zayıf su jeti	Su beslemesi yok	Musluğun açık olduğundan emin olun. Emme hortum seti kullanılıyorsa hortuma su çekin.
	Zayıf su beslemesi	Musluğu açın.
	Kötü su hortumu bağlantısı	Basınçlı yıkama makinası ile su musluğunun arasındaki bağlantıyı kontrol edin.
	Tıkalı hortum, filtre veya nozul	Hortum, filtre veya nozulun tıkanıklığını giderin.
	Hava su akışını engelliyor.	Düğmeyi kapalı konuma alın ve tetiğe basarak tekrar açık konuma alın.
	Hasarlı veya aşınmış nozul	Nozulu değiştirin.
İstikrarsız su jeti	Pompa veya vana arızası	Onarım için yetkili servise başvurun.
	Tıkalı nozul	Temizleme iğnesini kullanarak nozulun püskürtme deliğini açın.
	Zayıf su emmesi	Musluktan başlayarak su hortumunu kaçak veya tıkanıklıklara karşı kontrol edin. Musluğu açın.
Anormal ses	Su çok sıcak.	Daha soğuk su sağlayın.
	Vana arızası	Onarım için yetkili servise başvurun.
	Su çok sıcak.	Daha soğuk su sağlayın.
Su kaçacağı	Pompada hava sıkışması.	Onarım için yetkili servise başvurun.
	Kötü bağlantı	Basınçlı yıkama makinası ile tetikli tabanca ve su musluğu arasındaki bağlantıyı kontrol edin.
	Aşınmış contalar	Onarım için yetkili servise başvurun.

İSTEĞE BAĞLI AKSESUARLAR

⚠ DİKKAT: Bu aksesuarlar ve ek parçalar bu el kitabında belirtilen Makita aletiniz ile kullanılmak için tavsiye edilmektedir. Herhangi başka bir aksesuar ya da ek parça kullanılması insanlar için bir yaralanma riski getirebilir. Aksesuarları ya da ek parçaları yalnızca belirtilmiş olan kullanım amaçlarına uygun olarak kullanın.

Bu aksesuarlarla ilgili daha fazla bilgiye ihtiyaç duyarsanız bulunduğunuz yerdeki yetkili Makita servisine başvurun.

NOT: Listedeki parçaların bazıları alet paketi içerisinde standart aksesuar olarak dahil edilmiş olabilir. Bunlar ülkeden ülkeye farklılık gösterebilir.

Vario-Power püskürtme borusu

► Şek.42

Jet basıncı nozul döndürülerek ayarlanabilir.

⚠ DİKKAT: Jet basıncını ayarlarken nozulu tetikli tabancaya doğru çekerken döndürmeyin. Nozul tetikli tabancadan çıkabilir ve yaralanmaya neden olabilir.

Köpük nozulu

Ülkeye özgü

► Şek.43

Deterjan, köpük şeklinde püskürtülebilir.

Yıkama fırçası (uzun)

► Şek.44

Fırça ile donatılmış bir nozul. Kiri fırça ile fırçalayarak gidermek için kullanışlıdır.

Emme hortum seti

► Şek.45

Bir tank veya su deposundan su sağlamak için su hortumunu bu setle değiştirin.

Döner yıkama fırçası

► Şek.46

Jeti püskürtürken içindeki üç fırça yavaşça döner. Dış duvar, araç kaportası, banyo küveti, vb. üzerindeki hafif kirleri temizlemek için uygundur.

Boru uzatması

► Şek.47

Tetikli tabancanın uzunluğunu artırmak için borular. Kullanılacak boruların adedini değiştirerek üç farklı uzunluk elde edilebilir.

Gövde altı püskürtme borusu

► Şek.48

Köşeli nozula sahip ekstra uzun püskürtme borusu. Aracın gövde altını ve yağmur oluğu gibi erişmesi zor yerleri temizlemek için idealdir.

⚠DİKKAT: Gövde altı püskürtme borusunu boru uzatması ile kullanmayın.

Sıçrama siperi

► Şek.49

Kir giderici ile köşeleri temizlerken geri sıçramaları azaltır.

Döner mafsalsal

► Şek.50

Yüksek basınç hortumunun burkulmasını engeller.

Bağlantı rakoru

► Şek.51

Başka bir modele ait nozulu bağlamak için rakor.

Bazı opsiyonel nozullar, tetikli tabancaya bağlamak için bağlantı rakoru (isteğe bağlı aksesuar) gerektirirler. Bağlantı rakorunu tetikli tabancaya, nozulla aynı şekilde takın.

► **Şek.52:** 1. Nozul 2. Bağlantı rakoru 3. Tetikli tabanca

NOT: Diğer modelle, HW112 veya HW121 verilen nozulları kullanırken bağlantı rakoru gerekir.

Boru temizleme seti (10 m/15 m)

► Şek.53

Sıhhi tesisat ve iniş borularını temizlemek ve açmak için.

⚠DİKKAT: Boru temizleme setini kullanırken su jetine dikkat edin. Oldukça yoğun su jeti geriye doğru püskürtülür. Tetiği çekmeden önce, hortumun başını boruya soktuğunuzdan emin olun.

Yüksek basınç uzatma hortumu (5 m/8 m/10 m)

► Şek.54

Basınçlı yıkama makinası gövdesini tetikli tabancaya bağlamak için uzatma hortumu.

Makita Europe N.V.

Jan-Baptist Vinkstraat 2,
3070 Kortenberg, Belgium

Makita Corporation

3-11-8, Sumiyoshi-cho,
Anjo, Aichi 446-8502 Japan

www.makita.com

885721B990
EN, FR, DE, IT, NL,
ES, PT, DA, EL, TR
20190924