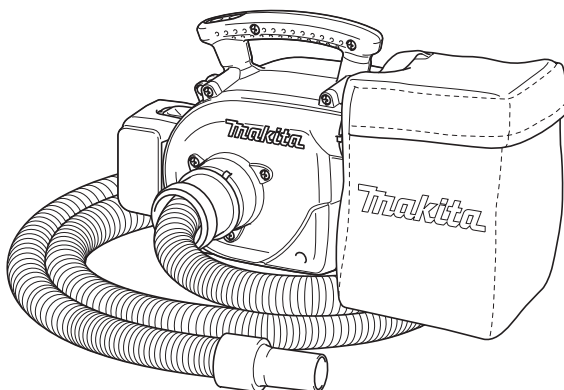
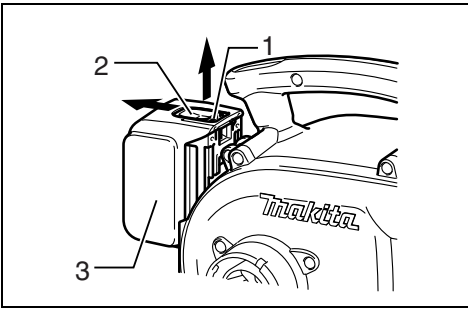




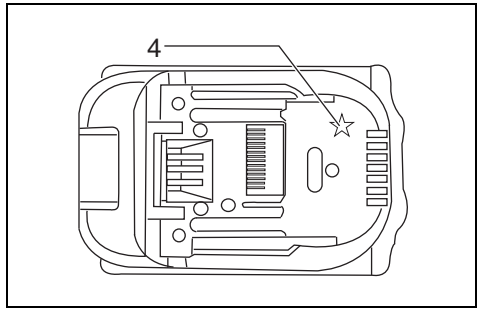
GB	Cordless Vacuum Cleaner	Instruction Manual
F	Aspirateur Sans Fil	Manuel d'instructions
D	Akku-Staubsauger	Betriebsanleitung
I	Aspiratore a batteria	Istruzioni per l'uso
NL	Accustofzuiger	Gebruiksaanwijzing
E	Aspiradora Inalámbrica	Manual de instrucciones
P	Aspirador de Pó a Bateria	Manual de instruções
DK	Akku-støvsuger	Brugsanvisning
GR	Ηλεκτρική σκούπα μπαταρίας	Οδηγίες χρήσεως

DVC340
DVC350

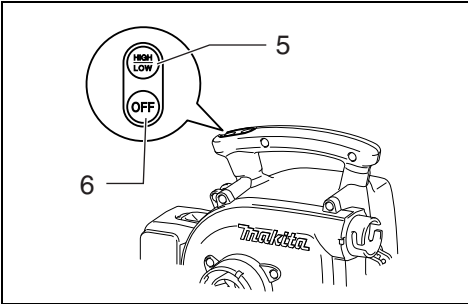




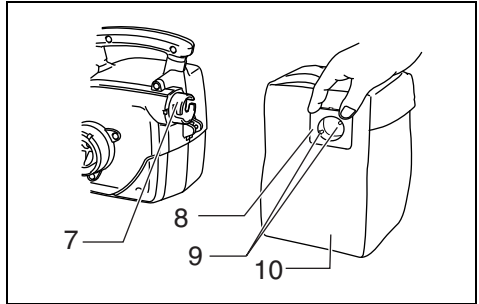
1 013850



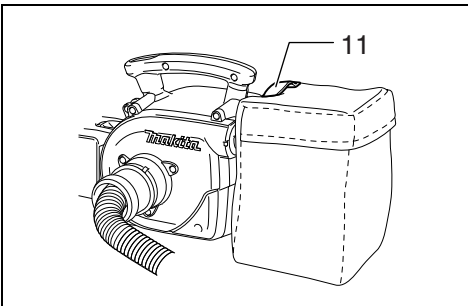
2 013889



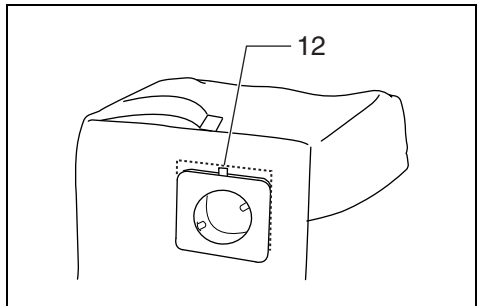
3 011121



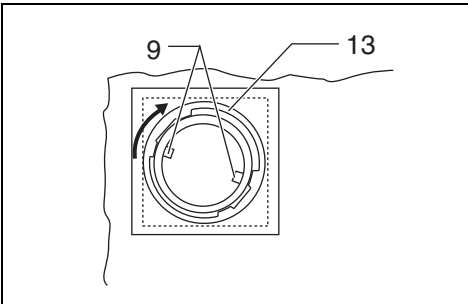
4 011113



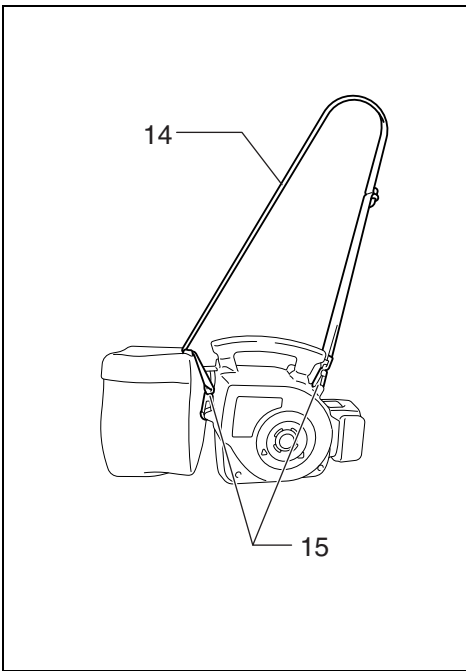
5 011114



6 011115

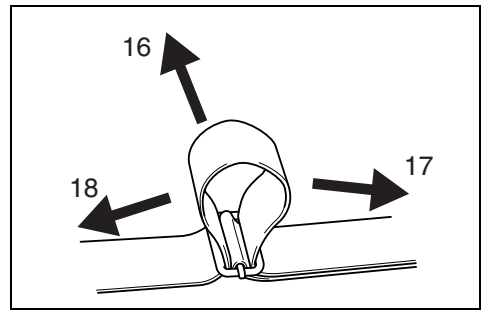


7 011116



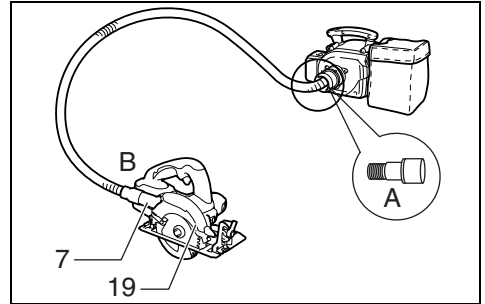
8

011117



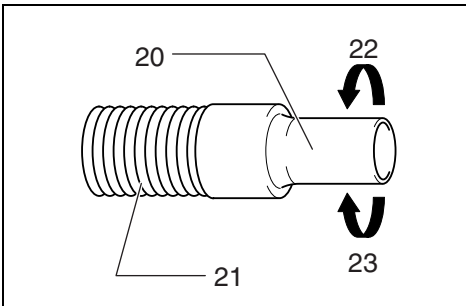
9

011118



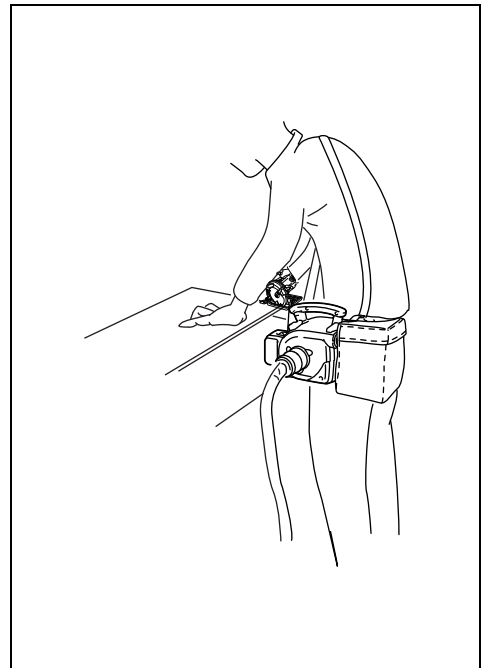
10

011119



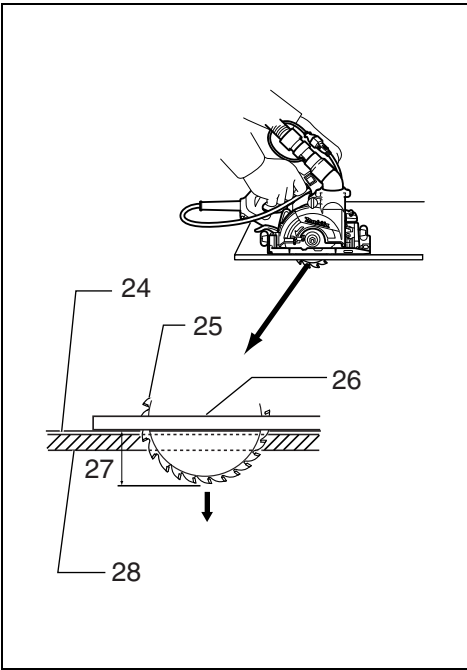
11

011120



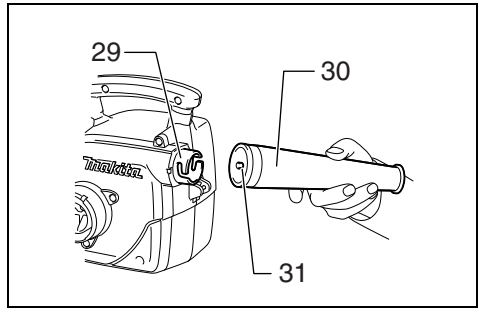
12

011122



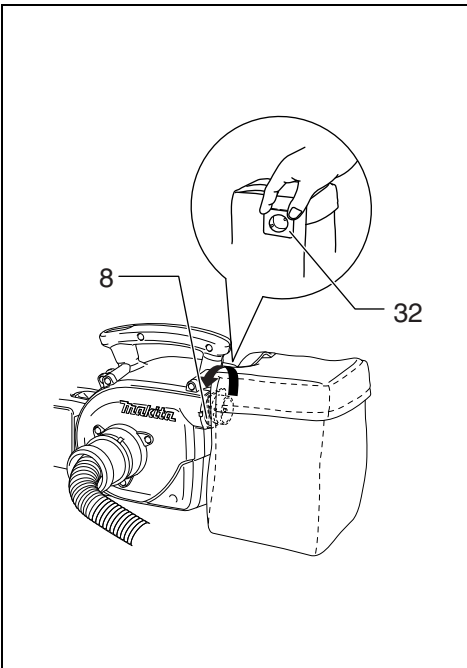
13

011123



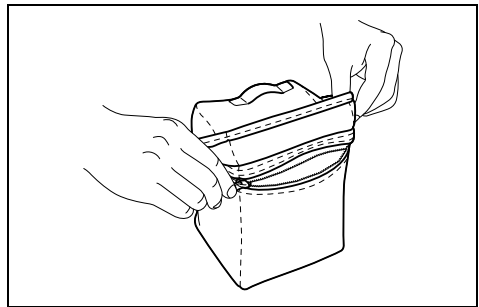
14

011124



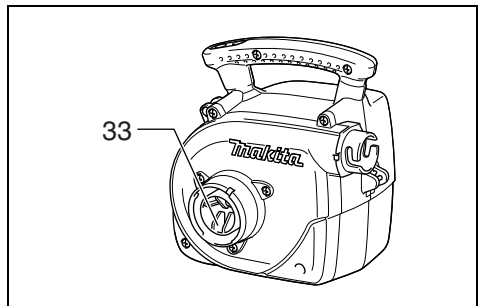
15

011125



16

011126



17

011127

WARNING: This appliance can be used by children aged from 8 years and above and persons with reduced physical, sensory or mental capabilities or lack of experience and knowledge if they have been given supervision or instruction concerning use of the appliance in a safe way and understand the hazards involved. Children shall not play with the appliance. Cleaning and user maintenance shall not be made by children without supervision.

Explanation of general view

1 Red indicator	12 Protrusion	23 Install
2 Button	13 Ring	24 Decorative paper
3 Battery cartridge	14 Shoulder strap	25 Saw blade
4 Star mark	15 Two hooks	26 Base
5 HIGH/LOW button	16 Pull out	27 Cutting depth
6 OFF button	17 For shortening	28 Plaster board
7 Dust outlet	18 For extending	29 Outlet (air vent)
8 Dust bag joint	19 Power tool	30 Nozzle
9 Pins	20 Front cuff	31 Pin
10 Dust bag	21 Hose	32 Square section
11 Hook	22 Remove	33 Filter area

SPECIFICATIONS

Model		DVC340	DVC350	
Capacity	Volume	3.0 L		
	Max. Air volume	3.3 m ³ /min.	3.4 m ³ /min.	
Continuous use (Approx.)	HIGH	4 min (with BL1415)	6 min (with BL1815)	
		5 min (with BL1415N)	7 min (with BL1815N)	
		—	8 min (with BL1820)	
		10 min (with BL1430)	13 min (with BL1830)	
		13 min (with BL1440)	18 min (with BL1840)	
		—	21 min (with BL1850)	
	LOW	8 min (with BL1415)	12 min (with BL1815)	
		10 min (with BL1415N)	14 min (with BL1815N)	
		—	16 min (with BL1820)	
		20 min (with BL1430)	26 min (with BL1830)	
		26 min (with BL1440)	36 min (with BL1840)	
		—	42 min (with BL1850)	
	Overall length		403 mm	
	Net weight	2.1 kg (BL1415/BL1415N)	2.2 kg (BL1815/BL1815N/BL1820)	
2.3 kg (BL1430/BL1440)		2.4 kg (BL1830/BL1840/BL1850)		
Rated voltage		D.C. 14.4 V	D.C. 18 V	

- Due to our continuing program of research and development, the specifications herein are subject to change without notice.
- Specifications and battery cartridge may differ from country to country.
- Weight, with battery cartridge, according to EPTA-Procedure 01/2003

Intended use

The tool is intended for collecting dry dust.

General Power Tool Safety Warnings

⚠ WARNING Read all safety warnings and all instructions. Failure to follow the warnings and instructions may result in electric shock, fire and/or serious injury.

Save all warnings and instructions for future reference.

CORDLESS VACUUM CLEANER SAFETY WARNINGS

⚠ WARNING! IMPORTANT READ CAREFULLY all safety warnings and all instructions **BEFORE USE**. Failure to follow the warnings and instructions may result in electric shock, fire and/or serious injury.

1. Operators must be adequately instructed on the use of this cleaner.
2. This cleaner is not suitable for picking up hazardous dust.
3. This cleaner is for dry use only.
4. This cleaner is for indoor use only.
5. This cleaner shall be stored indoors only.
6. Do not pick up the following materials:
 - Hot materials such as lit cigarettes or spark/metal dust generated by grinding/cutting metal
 - Flammable materials such as gasoline, thinner, benzine, kerosene or paint
 - Explosive materials like nitroglycerin
 - Ignitable materials such as Aluminum, zinc, magnesium, titanium, phosphorus or celluloid
 - Wet dirt, water, oil or the like
 - Hard pieces with sharp edges, such as wood chips, metals, stones, glasses, nails, pins or razors
 - Powder to clot such as cement or toner
 - Conductive dust such as metal or carbon
 - Fine particle like concrete dust
 Such action may cause fire, injury and/or property damage.
7. Stop operation immediately if you notice anything abnormal.
8. Do not bring close to stoves or other heat sources.
9. Do not block the intake hole or vent holes.
10. Do not leave the cleaner when battery fitted. Remove battery from appliance when not in use and before servicing.
11. Do not allow to be used as a toy. Close attention is necessary when used by or near children.
12. Use only as described in this manual. Use only manufacturer's recommended attachments.
13. Do not put any object into openings. Do not use with any opening blocked; keep free of dust, lint, hair, and anything that may reduce air flow.
14. Use extra care when cleaning on stairs.
15. When using the cleaner as a blower

- always use protective goggles, a cap and mask while operating;
- always be sure that the cleaner is switched off and the battery cartridge is removed before clearing a blockage;
- always be sure of your footing on slopes;
- walk, never run;
- never point the nozzle at anyone in the vicinity;
- Keep all nuts, bolts and screws tight to be sure the cleaner is in safe working condition;
- Store the cleaner only in a dry place;
- The operator or user is responsible for accidents or hazards occurring to other people or their property.

KEEP FOR FUTURE REFERENCE**⚠ WARNING:**

DO NOT let comfort or familiarity with product (gained from repeated use) replace strict adherence to safety rules for the subject product. **MISUSE** or failure to follow the safety rules stated in this instruction manual may cause serious personal injury.

This cleaner is intended for both domestic and commercial use, for example in hotels, schools, hospitals, factories, shops, offices and rental businesses.

ENC007-8

IMPORTANT SAFETY INSTRUCTIONS**FOR BATTERY CARTRIDGE**

1. Before using battery cartridge, read all instructions and cautionary markings on (1) battery charger, (2) battery, and (3) product using battery.
2. Do not disassemble battery cartridge.
3. If operating time has become excessively shorter, stop operating immediately. It may result in a risk of overheating, possible burns and even an explosion.
4. If electrolyte gets into your eyes, rinse them out with clear water and seek medical attention right away. It may result in loss of your eyesight.
5. Do not short the battery cartridge:
 - (1) Do not touch the terminals with any conductive material.
 - (2) Avoid storing battery cartridge in a container with other metal objects such as nails, coins, etc.
 - (3) Do not expose battery cartridge to water or rain.
 A battery short can cause a large current flow, overheating, possible burns and even a breakdown.
6. Do not store the tool and battery cartridge in locations where the temperature may reach or exceed 50°C (122°F).
7. Do not incinerate the battery cartridge even if it is severely damaged or is completely worn out. The battery cartridge can explode in a fire.
8. Be careful not to drop or strike battery.
9. Do not use a damaged battery.
10. Follow your local regulations relating to disposal of battery.

SAVE THESE INSTRUCTIONS.

Tips for maintaining maximum battery life

1. **Charge the battery cartridge before completely discharged.**
Always stop tool operation and charge the battery cartridge when you notice less tool power.
2. **Never recharge a fully charged battery cartridge. Overcharging shortens the battery service life.**
3. **Charge the battery cartridge with room temperature at 10°C – 40°C (50°F – 104°F). Let a hot battery cartridge cool down before charging it.**
4. **Charge the battery cartridge once in every six months if you do not use it for a long period of time.**

FUNCTIONAL DESCRIPTION

⚠ CAUTION:

- Always be sure that the cleaner is switched off and the battery cartridge is removed before adjusting or checking function on the cleaner.

Installing or removing battery cartridge (Fig. 1)

⚠ CAUTION:

- Always switch off the cleaner before installing or removing of the battery cartridge.
- **Hold the cleaner and the battery cartridge firmly when installing or removing battery cartridge.** Failure to hold the cleaner and the battery cartridge firmly may cause them to slip off your hands and result in damage to the cleaner and battery cartridge and a personal injury.

To remove the battery cartridge, slide it from the cleaner while sliding the button on the front of the cartridge.

To install the battery cartridge, align the tongue on the battery cartridge with the groove in the housing and slip it into place. Insert it all the way until it locks in place with a little click. If you can see the red indicator on the upper side of the button, it is not locked completely.

⚠ CAUTION:

- Always install the battery cartridge fully until the red indicator cannot be seen. If not, it may accidentally fall out of the cleaner, causing injury to you or someone around you.
- Do not install the battery cartridge forcibly. If the cartridge does not slide in easily, it is not being inserted correctly.

Battery protection system

The cleaner is equipped with the protection system, which automatically cuts off the output power for its long service life.

The cleaner stops during operation when the cleaner and/or battery are placed under the following situation. This is caused by the activation of protection system and does not show the cleaner trouble.

- When the cleaner is overloaded:
At this time, press the “OFF” button and remove causes of overload and then press the “HIGH/LOW” button again to restart.
- When battery cells get hot: (refer to the note below.)
If any operation of the “HIGH/LOW” button and the “OFF” button, the motor will remain stopped. At this time, stop use of the cleaner and cool or charge the battery cartridge after removing it from the cleaner.

- When the remaining battery capacity gets low:
If any operation of the “HIGH/LOW” button and the “OFF” button, the motor will remain stopped. At this time, remove the battery cartridge from the cleaner and charge it.

NOTE:

- This temperature-sensitive protection is applied only when the cleaner is used with a battery cartridge with a star mark. (Fig. 2)

Switch action (Fig. 3)

To start the cleaner, simply press the “HIGH/LOW” button. To switch off, press the “OFF” button. To change the cleaner speed, press the “HIGH/LOW” button. The first press on this button is for high speed and the second press for low speed and then each press on this button repeats the high/low speed cycle alternatively.

ASSEMBLY

⚠ CAUTION:

- Always be sure that the cleaner is switched off and the battery cartridge is removed before carrying out any work on the cleaner.
- Any work with the battery cartridge being installed on the cleaner may cause a personal injury or damage to the objects around the cleaner.

Installing dust bag (Fig. 4, 5, 6 & 7)

Hold the square section of the dust bag joint and fit the pins inside the dust bag joint to the notches in the dust outlet of the cleaner and then insert and turn it clockwise all the way until it stops.

At this time, make sure that the fastener part on the dust bag faces upward.

NOTE:

- When the dust bag joint and the ring inside the dust bag come off, install as follows.
 - (1) Align the dust bag joint with the seam of the dust bag and install it so that its protrusion faces upward.
 - (2) Tighten the ring inside the dust bag firmly so that the pins and the ring are positioned as shown in the figure.

Installing the shoulder strap (Fig. 8)

Attach one end hook of the shoulder strap onto the ring in the front of the cleaner and thrust the other end of the strap through the band of the dust bag and then attach the other end hook as shown in the figure.

Adjusting the shoulder strap (Fig. 9)

To adjust the length of the shoulder strap, pull it out to your desired length and pull the strap in the direction of arrow as shown in the figure.

Connecting the hose (Fig. 10)

⚠ CAUTION:

- **Do not force the hose to bend it and/or stamp it.** Forcing and/or stamping the hose may cause deformation or damage to the hose.
- **Do not pull the hose to carry the cleaner.** Pulling the hose may cause deformation or damage to the hose.

Insert the “A” end of the hose to the suction opening of the cleaner and turn it clockwise all the way until it locks. Attach the cuff on the “B” end of the hose and then connect it to the dust outlet of an power tool.

Replacing the front cuff (Fig. 11)

Change the front cuff of the hose according to the dust outlet size of a power tool you use.

To remove the front cuff, hold the hose and turn it counterclockwise.

To mount the front cuff, turn it clockwise and then screw it in until it stops.

OPERATION

⚠ WARNING:

- Do not use the shoulder strap when working in a high place.
- When using the cleaner as a stationary cleaner, place it on a flat and stable surface.

Vacuum cleaner (Fig. 12 & 13)

When using the cleaner as a portable cleaner, cross-hanging the shoulder strap before the breast is difficult to drop the cleaner.

NOTE:

- Long cut-off decorative paper that may be produced by plaster board cutting work depending on the conditions of workpiece to be cut and that may be stuffed inside the hose may cause the hose suction blocking. When this occurs, change the cutting depth setting of power tool to deeper depth, which will relieve the hose suction blocking.

⚠ CAUTION:

- When the dust bag is just new, dust may come out of its surface. Using it a few times will minimize the dust leak from the surface.

Operation of the cleaner with a nozzle or a dust bag being installed

⚠ WARNING:

- **Always be sure that the cleaner is switched off and the battery cartridge is removed before installing or removing the nozzle or any other attachment on the cleaner.** Failure to switch off and remove the battery cartridge may result in serious personal injury.

NOTE:

- Before the blower mode operation immediately after the cleaner mode operation, remove all remaining dust from the cleaner due to possible blow out of dust.

Using as a blower (Fig. 14)

Install the nozzle onto the outlet (air vent) without fail.

To install the nozzle, fit the pin protruding from the inside of nozzle to one of the cleaner notches and then turn the nozzle clockwise securely.

To remove the nozzle, turn counterclockwise and pull it out.

Direct the top point of the cleaner and then switch on.

Emptying the dust bag

⚠ WARNING:

- **Always be sure that both the cleaner and a connected power tool are switched off and the battery cartridge is removed and the power tool, if corded tool, is unplugged before installing or removing the dust bag on the cleaner and emptying the dust bag (made of cloth).** Failure to switch off, remove the battery cartridge and unplug the connected power tool may result in electric shock and serious personal injury.
- When the dust bag is about half full, remove the dust bag from the cleaner and pull the fastener out. Empty the dust bag of its contents, tapping it lightly so as to remove particles adhering to the insides which might hamper further collection.

NOTE:

- **For the time to empty the dust bag, use a guide line that the dust bag becomes full when drilling about 450 holes with 6.5 mm diameter and 40 mm depth on the concrete.** A dust bag clogged with the built up particles may reduce the dust collection power and cause damage to the cleaner motor.

⚠ CAUTION:

- **Attach the dust bag (made of cloth) to the dust bag joint securely and close the fastener completely before use.** Failure to attach the dust bag securely and close its fastener completely may cause blow-out of dust and result in serious personal injury.

Pick up the square section of the dust bag joint firmly, turn it counterclockwise and then remove the dust bag. (Fig. 15)

Open the fastener and dispose of the dust. (Fig. 16)

⚠ CAUTION:

- Remove all particles adhering to the fastener area.

MAINTENANCE

⚠ WARNING:

- Always be sure that the cleaner is switched off and the battery cartridge is removed before attempting to perform inspection or maintenance.

Cleaning the filter area (Fig. 17)

⚠ CAUTION:

- Do not pick up materials other than dust, such as stone, wood chip and the like since this cleaner is intended for dust collection. Picking up stone, wood chip and the like may cause damage to the fan and the cleaner.

Check and clean up the filter area in the suction inlet regularly. Remove foreign objects which will obstruct suction.

Cleaning

From time to time wipe off the outside (cleaner body) of the cleaner using a cloth dampened in soapy water.

⚠ CAUTION:

- Never use gasoline, benzine, thinner, alcohol or the like. Discoloration, deformation or cracks may result.

To maintain product SAFETY and RELIABILITY, repairs, any other maintenance or adjustment should be performed by Makita Authorized Service Centers, always using Makita replacement parts.

OPTIONAL ACCESSORIES

CAUTION:

- These accessories or attachments are recommended for use with your Makita cleaner specified in this manual. The use of any other accessories or attachments might present a risk of injury to persons. Only use accessory or attachment for its stated purpose.

If you need any assistance for more details regarding these accessories, ask your local Makita Service Center.

- Nozzles
- Dust bags
- Hoses
- Front cuffs
- Shoulder straps
- Makita genuine battery and charger

NOTE:

- Some items in the list may be included in the tool package as standard accessories. They may differ from country to country.

ENG905-1

Noise

The typical A-weighted noise level determined according to EN60745:

Model DVC340

Sound pressure level (L_{pA}): 81 dB (A)

Sound power level (L_{WA}): 92 dB (A)

Uncertainty (K): 3 dB (A)

Model DVC350

Sound pressure level (L_{pA}): 84 dB (A)

Sound power level (L_{WA}): 95 dB (A)

Uncertainty (K): 3 dB (A)

Wear ear protection

ENG900-1

Vibration

The vibration total value (tri-axial vector sum) determined according to EN60745:

Work mode: operation without load

Vibration emission (a_h): 2.5 m/s² or less

Uncertainty (K): 1.5 m/s²

ENG901-1

- The declared vibration emission value has been measured in accordance with the standard test method and may be used for comparing one tool with another.
- The declared vibration emission value may also be used in a preliminary assessment of exposure.

WARNING:

- The vibration emission during actual use of the power tool can differ from the declared emission value depending on the ways in which the tool is used.
- Be sure to identify safety measures to protect the operator that are based on an estimation of exposure in the actual conditions of use (taking account of all parts of the operating cycle such as the times when the tool is switched off and when it is running idle in addition to the trigger time).

AVERTISSEMENT : Cet appareil peut être utilisé par des enfants de 8 ans et plus, ainsi que par des personnes présentant des capacités physiques, sensorielles ou mentales réduites, ou par des personnes dénuées d'expérience et de connaissances s'ils ont pu faire l'objet d'une surveillance ou recevoir des instructions préalables concernant l'utilisation en toute sécurité de l'appareil et s'ils comprennent les risques associés. Ne laissez pas les enfants jouer avec l'appareil. Le nettoyage et l'entretien à la charge de l'utilisateur ne doivent pas être réalisés par des enfants sans surveillance.

Descriptif

1	Indicateur rouge	12	Partie saillante	23	Installer
2	Bouton	13	Anneau	24	Revêtement décoratif
3	Batterie	14	Bandoulière	25	Lame
4	Marque d'étoile	15	Deux crochets	26	Base
5	Bouton HIGH/LOW	16	Faire sortir	27	Profondeur de coupe
6	Bouton OFF	17	Pour raccourcir	28	Plaque de plâtre
7	Sortie à poussières	18	Pour allonger	29	Sortie (bouche d'air)
8	Raccord du sac à poussières	19	Outil électrique	30	Buse
9	Broches	20	Manchon avant	31	Broche
10	Sac à poussières	21	Tuyau	32	Section carrée
11	Crochet	22	Retirer	33	Zone du filtre

SPÉCIFICATIONS

Modèle		DVC340	DVC350	
Capacité	Volume	3,0 L		
	Volume d'air max.	3,3 m ³ /min.	3,4 m ³ /min.	
Utilisation continue (Environ)	HIGH	4 min (avec BL1415)	6 min (avec BL1815)	
		5 min (avec BL1415N)	7 min (avec BL1815N)	
		—	8 min (avec BL1820)	
		10 min (avec BL1430)	13 min (avec BL1830)	
		13 min (avec BL1440)	18 min (avec BL1840)	
		—	21 min (avec BL1850)	
	LOW	8 min (avec BL1415)	12 min (avec BL1815)	
		10 min (avec BL1415N)	14 min (avec BL1815N)	
		—	16 min (avec BL1820)	
		20 min (avec BL1430)	26 min (avec BL1830)	
		26 min (avec BL1440)	36 min (avec BL1840)	
		—	42 min (avec BL1850)	
	Longueur totale		403 mm	
	Poids net		2,1 kg (BL1415/BL1415N)	2,2 kg (BL1815/BL1815N/BL1820)
2,3 kg (BL1430/BL1440)			2,4 kg (BL1830/BL1840/BL1850)	
Tension nominale		14,4 V CC	18 V CC	

- Étant donné l'évolution constante de notre programme de recherche et de développement, les spécifications contenues dans ce manuel sont sujettes à modification sans préavis.
- Les spécifications et la batterie peuvent être différentes suivant les pays.
- Poids, avec la batterie, conformément à la procédure EPTA-01/2003

ENE017-1

Utilisations

L'outil est conçu pour la collecte des poussières sèches.

GEA010-1

Consignes de sécurité générales pour outils électriques

⚠ AVERTISSEMENT Veuillez lire toutes les mises en garde et toutes les instructions. Il y a risque de choc électrique, d'incendie et/ou de blessure grave si les mises en garde et les instructions ne sont pas respectées.

Conservez toutes les mises en garde et instructions pour référence ultérieure.

ENB117-4

CONSIGNES DE SÉCURITÉ POUR ASPIRATEUR SANS FIL

⚠ AVERTISSEMENT! IMPORTANT : LIRE ATTENTIVEMENT toutes les consignes de sécurité et instructions **AVANT L'UTILISATION**. Il y a risque de choc électrique, d'incendie et/ou de blessure grave si les mises en garde et les instructions ne sont pas respectées.

1. Les utilisateurs doivent être adéquatement formés pour l'utilisation de cet aspirateur.
2. Cet aspirateur n'est pas conçu pour la collecte des poussières dangereuses.
3. Cet aspirateur est conçu uniquement pour l'utilisation à sec.
4. Cet aspirateur est conçu uniquement pour l'utilisation à l'intérieur.
5. Cet aspirateur doit être rangé uniquement à l'intérieur.
6. Ne collectez pas les objets suivants :
 - Objets chauds tels que les cigarettes allumées ou les étincelles et poussières métalliques générées par le meulage ou la coupe du métal
 - Substances inflammables telles que l'essence, les diluants, la benzine, le kérosène ou la peinture
 - Substances explosives telles que la nitroglycérine
 - Matériaux inflammables tels que l'aluminium, le zinc, le magnésium, le titane, le phosphore ou le celluloid
 - Saletés mouillées, eau, huile, etc.
 - Objets durs à bords tranchants, tels que les copeaux de bois, pièces de métal, pierres, verres, clous, broches ou rasoirs
 - Poudres coagulantes telles que le ciment ou le toner
 - Poussières conductrices de métal ou de carbone

- Particules fines telles que les poussières de béton

Cela comporte un risque d'incendie, de blessure et/ou de dommages à la propriété.

7. Cessez immédiatement l'utilisation si vous constatez une quelconque anomalie.
8. N'approchez pas l'aspirateur des fours et autres sources de chaleur.
9. Ne bloquez pas les bouches d'entrée ou de sortie d'air.
10. Ne quittez pas l'aspirateur en laissant la batterie insérée. Retirez la batterie de l'appareil après l'utilisation et avant de le faire réparer.
11. Ne permettez pas qu'on l'utilise comme jouet. Une attention particulière est requise lors de l'utilisation par ou près des enfants.
12. Utilisez l'aspirateur uniquement de la façon décrite dans ce manuel. Utilisez uniquement les accessoires recommandés par le fabricant.
13. Ne mettez aucun objet dans les ouvertures. N'utilisez l'aspirateur avec aucune ouverture bloquée ; retirez toute poussière, charpie, cheveux ou autres objets pouvant réduire l'écoulement d'air.
14. Faites preuve d'une attention particulière lorsque vous nettoyez dans un escalier.
15. Lors de l'utilisation de l'aspirateur en tant que souffleur
 - portez toujours des lunettes de protection, une casquette et un masque anti-poussières lors de l'utilisation ;
 - avant de déboucher l'aspirateur, assurez-vous toujours qu'il est éteint et que la batterie est retirée ;
 - dans les pentes, assurez-vous toujours d'avoir une bonne prise de pied ;
 - ne courez jamais, marchez ;
 - ne pointez jamais la buse vers les personnes présentes ;
 - Gardez tous les écrous, boulons et vis bien serrés pour vous assurer que l'aspirateur peut être utilisé de manière sûre ;
 - Rangez l'aspirateur uniquement dans un emplacement sec ;
 - L'utilisateur est responsable des accidents ou dangers face aux autres personnes et à leur propriété.

CONSERVER POUR CONSULTATION ULTÉRIEURE

⚠ AVERTISSEMENT :

NE vous laissez **PAS** tromper (au fil d'une utilisation répétée) par un sentiment d'aisance et de familiarité avec le produit, en négligeant le respect rigoureux des consignes de sécurité qui accompagnent le produit en question. La **MAUVAISE UTILISATION** de l'outil ou l'ignorance des consignes de sécurité indiquées dans ce manuel d'instructions peut entraîner une blessure grave.

Cet aspirateur est conçu à la fois pour l'usage domestique et pour l'usage commercial dans des endroits tel que les hôtels, écoles, hôpitaux, usines, boutiques, bureaux et entreprises de location.

CONSIGNES DE SÉCURITÉ IMPORTANTES

POUR LA BATTERIE

1. Avant d'utiliser la batterie, lisez toutes les instructions et précautions relatives (1) au chargeur de batterie, (2) à la batterie, et (3) à l'outil utilisant la batterie.
2. Ne démontez pas la batterie.
3. Cessez immédiatement l'utilisation si le temps de fonctionnement devient excessivement court. Il y a risque de surchauffe, de brûlures, voire d'explosion.
4. Si l'électrolyte pénètre dans vos yeux, rincez-les à l'eau claire et consultez immédiatement un médecin. Il y a risque de perte de la vue.
5. Ne court-circuitez pas la batterie :
 - (1) Ne touchez les bornes avec aucun matériau conducteur.
 - (2) Évitez de ranger la batterie dans un conteneur avec d'autres objets métalliques, par exemple des clous, des pièces de monnaie, etc.
 - (3) N'exposez pas la batterie à l'eau ou à la pluie. Un court-circuit de la batterie pourrait provoquer un fort courant, une surchauffe, parfois des brûlures et même une panne.
6. Ne rangez pas l'outil ou la batterie dans des endroits où la température risque d'atteindre ou de dépasser 50°C.
7. Ne jetez pas la batterie au feu même si elle est sérieusement endommagée ou complètement épuisée. La batterie peut exploser au contact du feu.
8. Prenez garde d'échapper ou de heurter la batterie.
9. N'utilisez pas la batterie si elle est abîmée.
10. La batterie doit être éliminée conformément aux réglementations locales en vigueur.

CONSERVEZ CES INSTRUCTIONS.

Conseils pour assurer la durée de vie optimale de la batterie

1. Rechargez la batterie avant qu'elle ne soit complètement déchargée. Arrêtez toujours l'outil et rechargez la batterie quand vous remarquez que la puissance de l'outil diminue.
2. Ne rechargez jamais une batterie complètement chargée. La surcharge réduit la durée de service de la batterie.
3. Chargez la batterie alors que la température de la pièce se trouve entre 10°C et 40°C. Avant de charger une batterie chaude, laissez-la refroidir.
4. Chargez la batterie tous les six mois si elle reste inutilisée pendant une période prolongée.

DESCRIPTION DU FONCTIONNEMENT

⚠ ATTENTION :

- Assurez-vous toujours que l'aspirateur est éteint et que sa batterie est retirée avant de régler l'aspirateur ou de vérifier son fonctionnement.

Insertion ou retrait de la batterie (Fig. 1)

⚠ ATTENTION :

- Éteignez toujours l'aspirateur avant d'insérer ou de retirer la batterie.
- **Tenez fermement l'aspirateur et la batterie lors de l'insertion ou du retrait de la batterie.** Autrement, ils risquent de vous échapper des mains, ce qui peut endommager l'aspirateur et la batterie et présente des risques de blessure.

Pour retirer la batterie, enlevez-la de l'aspirateur tout en faisant glisser le bouton à l'avant de la batterie.

Pour poser la batterie, alignez sa languette sur la rainure à l'intérieur du carter, et faites-la glisser en place. Insérez-la à fond, jusqu'à ce qu'elle se mette en place avec un léger déclic. Si vous pouvez voir l'indicateur rouge du côté supérieur du bouton, la batterie n'est pas complètement verrouillée.

⚠ ATTENTION :

- Insérez toujours la batterie à fond, jusqu'à ce que l'indicateur rouge ne soit plus visible. Autrement, elle risque de tomber accidentellement de l'aspirateur, et de blesser quelqu'un, y compris vous.
- Ne forcez pas pour insérer la batterie. Si elle ne glisse pas facilement, c'est que vous ne l'insérez pas correctement.

Circuit de protection de la batterie

L'aspirateur est doté d'un circuit de protection qui coupe automatiquement l'alimentation afin d'assurer une longue durée de service.

Il se peut que l'aspirateur s'arrête pendant l'utilisation lorsque l'aspirateur ou la batterie se trouve dans la situation suivante. Cet arrêt est causé par l'activation du circuit de protection et n'indique aucun dysfonctionnement.

- Lorsque l'aspirateur est surchargé :
Appuyez sur le bouton "OFF" et corrigez la cause de la surcharge, puis appuyez de nouveau sur le bouton "HIGH/LOW" pour redémarrer.
- Lorsque la batterie est chaude : (reportez-vous à la note ci-dessous.)

Lors de toute utilisation du bouton "HIGH/LOW" ou du bouton "OFF", le moteur restera arrêté. Cessez alors l'utilisation de l'aspirateur et laissez refroidir la batterie ou retirez-la de l'aspirateur pour la charger.

- Lorsque la batterie est faible :
Lors de toute utilisation du bouton "HIGH/LOW" ou du bouton "OFF", le moteur restera arrêté. Retirez alors la batterie de l'aspirateur et chargez-la.

NOTE :

- Ce circuit de protection thermosensible s'applique uniquement si l'aspirateur est alimenté par une batterie qui porte une marque d'étoile. (Fig. 2)

Interrupteur (Fig. 3)

Pour faire démarrer l'aspirateur, appuyez simplement sur le bouton "HIGH/LOW". Pour l'éteindre, appuyez sur le bouton "OFF". Pour modifier la puissance de l'aspirateur, appuyez sur le bouton "HIGH/LOW". La première pression sur ce bouton est pour la puissance élevée, et la deuxième pour la basse puissance ; chaque nouvelle pression sur ce bouton répète l'alternance du cycle de puissance élevée/basse.

ASSEMBLAGE

⚠ ATTENTION :

- Assurez-vous toujours que l'aspirateur est éteint et que sa batterie est retirée avant d'effectuer tout travail sur l'aspirateur.
- Tout travail effectué sur l'aspirateur alors que la batterie est insérée comporte un risque de blessure ou de dommages aux objets qui se trouvent à proximité.

Installation du sac à poussières (Fig. 4, 5, 6 et 7)

Saisissez la section carrée du raccord de sac à poussières et faites pénétrer les broches dans les entailles de la sortie à poussières de l'aspirateur, puis insérez et tournez la section carrée complètement dans le sens des aiguilles d'une montre, jusqu'à ce qu'elle s'arrête. Assurez-vous alors que la fermeture-éclair du sac à poussières se trouve sur le dessus.

NOTE :

- Si le raccord du sac à poussières et l'anneau à l'intérieur du sac à poussières se détachent, procédez comme suit pour les remettre en place.
 - (1) Alignez le raccord du sac à poussières sur la couture du sac à poussières, et installez-le en plaçant sa partie saillante sur le dessus.
 - (2) Serrez fermement l'anneau à l'intérieur du sac à poussières de sorte que les broches et l'anneau soient placés tels qu'illustré.

Installation de la bandoulière (Fig. 8)

Fixez un des crochets de la bandoulière à l'anneau qui se trouve à l'avant de l'aspirateur, faites passer l'autre bout de la bandoulière à travers la bande du sac à poussières, puis fixez l'autre crochet tel qu'illustré.

Réglage de la bandoulière (Fig. 9)

Pour régler la longueur de la bandoulière, faites la sortir jusqu'à la longueur désirée et tirez sur la bandoulière dans le sens de la flèche, tel qu'illustré.

Raccordement du tuyau (Fig. 10)

⚠ ATTENTION :

- **Évitez de trop plier le tuyau ou de l'écraser.** Vous risqueriez de déformer ou d'abîmer le tuyau en le pliant trop ou en l'écrasant.
- **Ne saisissez pas l'aspirateur par le tuyau pour le transporter.** Vous risqueriez de déformer ou d'abîmer le tuyau en tirant dessus.

Insérez l'extrémité "A" du tuyau dans l'orifice d'aspiration de l'aspirateur, et tournez-la complètement dans le sens des aiguilles d'une montre, jusqu'à ce qu'elle se verrouille. Fixez le manchon à l'extrémité "B" du tuyau, puis connectez-la à la sortie à poussières de l'outil électrique.

Changement de manchon avant (Fig. 11)

Remplacez le manchon avant du tuyau suivant la taille de la sortie à poussières de l'outil électrique à utiliser. Pour retirer le manchon avant, tournez-le dans le sens contraire des aiguilles d'une montre tout en tenant le tuyau. Pour poser le manchon avant, tournez-le dans le sens des aiguilles d'une montre puis vissez-le jusqu'à ce qu'il s'arrête.

UTILISATION

⚠ AVERTISSEMENT :

- N'utilisez pas la bandoulière lorsque vous travaillez dans un emplacement élevé.
- Lorsque vous utilisez l'aspirateur sans le déplacer, posez-le sur une surface plane et stable.

Aspirateur (Fig. 12 et 13)

Lorsque vous utilisez l'aspirateur en tant qu'aspirateur portable, croisez la bandoulière sur votre poitrine pour qu'il ne puisse être échappé facilement.

NOTE :

- Suivant l'état de la pièce à travailler, il se peut que le revêtement décoratif qui se détache lors de la coupe d'une plaque de plâtre se coince dans le tuyau et bloque ce dernier. Le cas échéant, augmentez la profondeur de coupe de l'outil ; cela évitera le blocage du tuyau.

⚠ ATTENTION :

- Avec un sac à poussières neuf, il se peut que des poussières sortent par la surface. Les poussières qui s'échappent à la surface du sac diminueront après quelques utilisations.

Utilisation de l'aspirateur avec une buse ou un sac à poussières installé

⚠ AVERTISSEMENT :

- **Assurez-vous toujours que l'aspirateur est éteint et que la batterie est retirée avant d'installer ou de retirer la buse ou tout autre accessoire de l'aspirateur.** Si vous ne l'éteignez pas et ne retirez pas la batterie, il y a risque de blessure.

NOTE :

- Si vous utilisez l'aspirateur en mode de souffleur juste après l'avoir utilisé en mode d'aspirateur, enlevez toutes les poussières présentes à l'intérieur pour éviter de souffler les poussières.

Utilisation en tant que souffleur (Fig. 14)

Pensez à installer la buse sur la sortie (bouche d'air). Pour installer la buse, insérez la broche qui dépasse de l'intérieur de la buse dans l'une des entailles de l'aspirateur, puis tournez fermement la buse dans le sens des aiguilles d'une montre. Pour retirer la buse, tirez dessus en la tournant dans le sens contraire des aiguilles d'une montre. Pointez l'extrémité de l'aspirateur puis allumez-le.

Vidage du sac à poussières

⚠ AVERTISSEMENT :

- **Avant d'installer ou de retirer le sac à poussières (en tissu) et de le vider, assurez-vous toujours que l'aspirateur et l'outil électrique auquel il est raccordé sont éteints, que la batterie de l'aspirateur est retirée et que le cordon d'alimentation de l'outil électrique est débranché si ce dernier est doté d'un cordon d'alimentation.** Si vous n'éteignez pas les appareils, ne retirez pas la batterie et ne débranchez pas l'outil électrique, il y a risque de choc électrique et de blessure grave.
- Lorsque le sac à poussières est à moitié plein, retirez-le de l'aspirateur et ouvrez la fermeture-éclair. Videz le sac à poussières, en tapant légèrement dessus pour enlever les particules qui adhèrent à l'intérieur et peuvent affecter la collecte des poussières.

NOTE :

- À titre indicatif, considérez que le sac à poussières devient plein après avoir percé 450 trous d'un diamètre de 6,5 mm et d'une profondeur de 40 mm dans le béton. Un sac à poussières bloqué par les particules accumulées peut affecter la puissance de collecte des poussières et endommager le moteur de l'aspirateur.

⚠ ATTENTION :

- Fixez fermement le sac à poussières (en tissu) au raccord du sac à poussières et fermez complètement la fermeture-éclair avant l'utilisation. Si vous ne fixez pas bien le sac à poussières et ne fermez pas complètement la fermeture-éclair, les poussières risquent d'être soufflées hors de l'aspirateur et il y a risque de blessure grave.

Saisissez fermement la section carrée du raccord de sac à poussières, tournez-la dans le sens contraire des aiguilles d'une montre, puis retirez le sac à poussières. (Fig. 15)

Ouvrez la fermeture-éclair et jetez les poussières. (Fig. 16)

⚠ ATTENTION :

- Enlevez toutes les particules qui adhèrent au sac près de sa fermeture-éclair.

ENTRETIEN

⚠ AVERTISSEMENT :

- Assurez-vous toujours que l'aspirateur est éteint et que la batterie est retirée avant d'entreprendre tout travail d'inspection ou de maintenance sur l'aspirateur.

Nettoyage de la zone du filtre (Fig. 17)

⚠ ATTENTION :

- Cet aspirateur étant conçu pour la collecte des poussières, ne l'utilisez pas pour collecter des objets tels que des cailloux et des copeaux de bois. Vous risqueriez d'abîmer le ventilateur et l'aspirateur en collectant des objets tels que des cailloux et des copeaux de bois.

Vérifiez et nettoyez régulièrement la zone du filtre dans l'entrée d'aspiration. Retirez tout corps étranger pouvant affecter la puissance d'aspiration.

Nettoyage

De temps à autre, essayez la surface extérieure (le corps de l'aspirateur) à l'aide d'un chiffon imbibé d'eau savonneuse.

⚠ ATTENTION :

- N'utilisez jamais d'essence, benzine, diluant, alcool ou autre produit similaire. Cela risquerait de provoquer la décoloration, la déformation ou la fissuration de l'outil.

Pour maintenir la SÉCURITÉ et la FIABILITÉ du produit, les réparations, travaux d'entretien et autres réglages doivent être effectués dans un centre de service Makita agréé, exclusivement avec des pièces de rechange Makita.

ACCESSOIRES EN OPTION

⚠ ATTENTION :

- Ces accessoires et pièces complémentaires sont recommandés pour l'utilisation avec l'aspirateur Makita spécifié dans le présent manuel. L'utilisation de tout autre accessoire ou pièce complémentaire peut comporter un risque de blessure. N'utilisez les accessoires ou pièces qu'aux fins auxquelles ils ont été conçus.

Si vous désirez obtenir plus de détails concernant ces accessoires, veuillez contacter le centre de service après-vente Makita le plus près.

- Buses
- Sacs à poussières
- Tuyaux
- Manchons avant
- Bandoulières
- Batterie et chargeur Makita authentiques

NOTE :

- Il se peut que certains éléments de la liste soient compris dans l'emballage de l'outil en tant qu'accessoires standard. Ils peuvent varier d'un pays à l'autre.

ENG905-1

Bruit

Niveau de bruit pondéré A typique, déterminé selon EN60745 :

Modèle DVC340

Niveau de pression sonore (L_{pA}) : 81 dB (A)
Niveau de puissance sonore (L_{WA}) : 92 dB (A)
Incertitude (K) : 3 dB (A)

Modèle DVC350

Niveau de pression sonore (L_{pA}) : 84 dB (A)
Niveau de puissance sonore (L_{WA}) : 95 dB (A)
Incertitude (K) : 3 dB (A)

Porter des protecteurs anti-bruit

ENG900-1

Vibrations

Valeur totale de vibrations (somme de vecteur triaxial) déterminée selon EN60745 :

Mode de travail : fonctionnement sans charge
Émission de vibrations (a_{h1}) : 2,5 m/s² ou moins
Incertitude (K) : 1,5 m/s²

ENG901-1

- La valeur d'émission de vibrations déclarée a été mesurée conformément à la méthode de test standard et peut être utilisée pour comparer les outils entre eux.
- La valeur d'émission de vibrations déclarée peut aussi être utilisée pour l'évaluation préliminaire de l'exposition.

⚠ AVERTISSEMENT :

- L'émission de vibrations lors de l'usage réel de l'outil électrique peut être différente de la valeur d'émission déclarée, suivant la façon dont l'outil est utilisé.
- Les mesures de sécurité à prendre pour protéger l'utilisateur doivent être basées sur une estimation de l'exposition dans des conditions réelles d'utilisation (en tenant compte de toutes les composantes du cycle d'utilisation, comme par exemple le moment de sa mise hors tension, lorsqu'il tourne à vide et le moment de son déclenchement).

WARNUNG: Dieses Gerät kann von Kindern ab 8 Jahren und Personen mit verminderten körperlichen, sensorischen oder geistigen Fähigkeiten bzw. Mangel an Erfahrung und Kenntnissen benutzt werden, vorausgesetzt, dass sie beaufsichtigt werden oder Anweisungen zum sicheren Gebrauch des Gerätes erhalten haben und die damit verbundenen Gefahren verstehen. Kinder dürfen nicht mit dem Gerät spielen. Reinigung und Benutzerwartung dürfen nicht von Kindern ohne Beaufsichtigung durchgeführt werden.

Übersicht

1 Rote Anzeige	12 Vorsprung	23 Anbringen
2 Knopf	13 Ring	24 Zierpapier
3 Akku	14 Schulterriemen	25 Sägeblatt
4 Sternsymbol	15 Zwei Haken	26 Grundplatte
5 Drehzahlwahltaste (HIGH/LOW)	16 Herausziehen	27 Schnitttiefe
6 Ausschalttaste (OFF)	17 Zum Verkürzen	28 Gipskartonplatte
7 Staubauslass	18 Zum Verlängern	29 Auslass (Ventilationsöffnung)
8 Staubsackstutzen	19 Elektrowerkzeug	30 Düse
9 Stifte	20 Frontmanschette	31 Stift
10 Staubsack	21 Schlauch	32 Vierkanteil
11 Haken	22 Abnehmen	33 Filterbereich

TECHNISCHE DATEN

Modell		DVC340	DVC350
Kapazität	Volumen	3,0 L	
	Max. Luftmenge	3,3 m ³ /Min.	3,4 m ³ /Min.
Dauerbetrieb (Ca.)	STARK (HIGH)	4 Min. (mit BL1415)	6 Min. (mit BL1815)
		5 Min. (mit BL1415N)	7 Min. (mit BL1815N)
		—	8 Min. (mit BL1820)
		10 Min. (mit BL1430)	13 Min. (mit BL1830)
		13 Min. (mit BL1440)	18 Min. (mit BL1840)
		—	21 Min. (mit BL1850)
	SCHWACH (LOW)	8 Min. (mit BL1415)	12 Min. (mit BL1815)
		10 Min. (mit BL1415N)	14 Min. (mit BL1815N)
		—	16 Min. (mit BL1820)
		20 Min. (mit BL1430)	26 Min. (mit BL1830)
		26 Min. (mit BL1440)	36 Min. (mit BL1840)
		—	42 Min. (mit BL1850)
Gesamtlänge		403 mm	
Nettogewicht	2,1 kg (BL1415/BL1415N)		2,2 kg (BL1815/BL1815N/BL1820)
	2,3 kg (BL1430/BL1440)		2,4 kg (BL1830/BL1840/BL1850)
Nennspannung		DC 14,4 V	DC 18 V

- Wir behalten uns vor, Änderungen im Zuge der Entwicklung und des technischen Fortschritts ohne vorherige Ankündigung vorzunehmen.
- Die technischen Daten und der Akku können von Land zu Land unterschiedlich sein.
- Gewicht mit Akku nach EPTA-Verfahren 01/2003

Vorgesehene Verwendung

Dieses Gerät ist für das Absaugen von Trockenstaub vorgesehen.

Allgemeine Sicherheitswarnungen für Elektrowerkzeuge

⚠️ WARNUNG Lesen Sie alle Sicherheitswarnungen und Anweisungen durch. Eine Missachtung der unten aufgeführten Warnungen und Anweisungen kann zu einem elektrischen Schlag, Brand und/oder schweren Verletzungen führen.

Bewahren Sie alle Warnungen und Anweisungen für spätere Bezugnahme auf.

SICHERHEITSWARNUNGEN FÜR AKKU-STAUBSAUGER

⚠️ WARNUNG! WICHTIG. Alle Sicherheitswarnungen und Anweisungen **VOR GEBRAUCH AUFMERKSAM LESEN.** Eine Missachtung der unten aufgeführten Warnungen und Anweisungen kann zu einem elektrischen Schlag, Brand und/oder schweren Verletzungen führen.

1. Das Bedienungspersonal muss im Gebrauch dieses Staubsaugers hinreichend unterwiesen werden.
2. Dieser Staubsauger eignet sich nicht zum Auf-sammeln von gefährlichem Staub.
3. Dieser Staubsauger ist nur für Trockengebrauch vorgesehen.
4. Dieser Staubsauger ist nur für Inneneinsatz vorgesehen.
5. Dieser Staubsauger sollte nur in Innenräumen aufbewahrt werden.
6. Unterlassen Sie das Aufsaugen der folgenden Materialien:
 - Heiße Materialien, wie z. B. brennende Zigaretten oder durch Schleifen/Schneiden von Metall erzeugte Funken/Metallstaub
 - Brennbare Materialien, wie z. B. Benzin, Verdünner, Benzol, Petroleum oder Lack
 - Explosive Materialien, wie Nitroglycerin
 - Zündfähige Materialien, wie z. B. Aluminium, Zink, Magnesium, Titan, Phosphor oder Celluloid
 - Nassen Schmutz, Wasser, Öl o. Ä.
 - Harte Gegenstände mit scharfen Kanten, wie z. B. Holzspäne, Metalle, Steine, Glas, Nägel, Nadeln oder Rasierklingen
 - Klumpen bildendes Pulver, wie z. B. Zement oder Toner
 - Leitfähiger Staub, wie z. B. Metall- oder Kohlenstaub
 - Feine Partikel, wie z. B. Betonstaub
 Solche Handlungen können einen Brand, Verletzungen und/oder Sachschäden verursachen.
7. Brechen Sie den Betrieb sofort ab, wenn Sie irgendetwas Ungewöhnliches bemerken.
8. Bringen Sie das Gerät nicht in die Nähe von Öfen oder anderen Wärmequellen.
9. Blockieren Sie nicht die Einlassöffnung oder die Belüftungsöffnungen.

10. Lassen Sie den Staubsauger nicht mit angebrachtem Akku liegen. Entfernen Sie den Akku bei Nichtgebrauch und vor der Wartung vom Gerät.
11. Das Gerät darf nicht als Spielzeug benutzt werden. Wenn das Gerät von Kindern oder in deren Nähe benutzt wird, ist besondere Vorsicht geboten.
12. Nur gemäß der Beschreibung in dieser Anleitung benutzen. Nur vom Hersteller empfohlene Zusatzvorrichtungen verwenden.
13. Stecken Sie keine Gegenstände in die Öffnungen. Benutzen Sie das Gerät nicht mit einer blockierten Öffnung; halten Sie es frei von Staub, Fusseln, Haaren und Fremdkörpern, die den Luftstrom behindern können.
14. Lassen Sie bei der Reinigung von Treppen besondere Vorsicht walten.
15. Bei Verwendung des Staubsaugers als Bläser
 - Tragen Sie bei der Arbeit stets eine Schutzbrille, Kappe und Maske.
 - Vergewissern Sie sich vor dem Beseitigen einer Blockierung stets, dass der Staubsauger ausgeschaltet und der Akku abgenommen ist.
 - Achten Sie beim Arbeiten auf Schrägen stets auf sicheren Stand.
 - Stets gehen, niemals laufen.
 - Richten Sie die Düse niemals auf Personen in der Umgebung.
 - Achten Sie auf festen Sitz aller Muttern, Bolzen und Schrauben, um sicherzugehen, dass sich der Staubsauger in einwandfreiem Arbeitszustand befindet.
 - Bewahren Sie den Staubsauger stets an einem trockenen Ort auf.
 - Der Bediener oder Benutzer ist verantwortlich für Verletzungen oder Sachschäden, die an Personen oder ihrem Eigentum entstehen.

FÜR SPÄTERES NACHSCHLAGEN AUFBEWAHREN**⚠️ WARNUNG:**

Lassen Sie sich **NICHT** durch Bequemlichkeit oder Vertrautheit mit dem Produkt (durch wiederholten Gebrauch erworben) von der strikten Einhaltung der Sicherheitsregeln für das vorliegende Produkt abhalten. **MISSBRAUCH** oder Missachtung der Sicherheitsvorschriften in dieser Anleitung können schwere Verletzungen verursachen.

Dieser Staubsauger ist sowohl für den Hausgebrauch als auch für kommerziellen Einsatz z. B. in Hotels, Schulen, Krankenhäusern, Fabriken, Läden, Büros und Mietunternehmen vorgesehen.

WICHTIGE SICHERHEITSVORSCHRIFTEN**FÜR AKKU**

1. Lesen Sie vor der Benutzung des Akkus alle Anweisungen und Warnhinweise, die an (1) Ladegerät, (2) Akku und (3) Akkuwerkzeug angebracht sind.
2. Unterlassen Sie ein Zerlegen des Akkus.

3. Falls die Betriebszeit beträchtlich kürzer geworden ist, stellen Sie den Betrieb sofort ein. Andernfalls besteht die Gefahr von Überhitzung, möglichen Verbrennungen und sogar einer Explosion.
4. Falls Elektrolyt in Ihre Augen gelangt, waschen Sie sie mit sauberem Wasser aus, und begeben Sie sich unverzüglich in ärztliche Behandlung. Andernfalls können Sie Ihre Sehkraft verlieren.
5. Der Akku darf nicht kurzgeschlossen werden:
 - (1) Die Kontakte dürfen nicht mit leitfähigem Material berührt werden.
 - (2) Lagern Sie den Akku nicht in einem Behälter zusammen mit anderen Metallgegenständen, wie z.B. Nägel, Münzen usw.
 - (3) Setzen Sie den Akku weder Wasser noch Regen aus.

Ein Kurzschluss des Akkus verursacht starken Stromfluss, der Überhitzung, Verbrennungen und einen Defekt zur Folge haben kann.
6. Lagern Sie Maschine und Akku nicht an Orten, an denen die Temperatur 50°C erreichen oder überschreiten kann.
7. Versuchen Sie niemals, den Akku zu verbrennen, selbst wenn er stark beschädigt oder vollkommen verbraucht ist. Der Akku kann im Feuer explodieren.
8. Achten Sie darauf, dass der Akku nicht fallen gelassen oder Stößen ausgesetzt wird.
9. Keinen beschädigten Akku benutzen.
10. Befolgen Sie die örtlichen Bestimmungen bezüglich der Entsorgung von Akkus.

BEWAHREN SIE DIESE HINWEISE SORGFÄLTIG AUF.

Hinweise zur Aufrechterhaltung der maximalen Akku-Nutzungsdauer

1. Laden Sie den Akku, bevor er vollkommen erschöpft ist. Schalten Sie die Maschine stets aus, und laden Sie den Akku, wenn Sie ein Nachlassen der Maschinenleistung feststellen.
2. Unterlassen Sie das erneute Laden eines voll aufgeladenen Akkus. Überladen führt zu einer Verkürzung der Nutzungsdauer des Akkus.
3. Laden Sie den Akku bei Raumtemperatur zwischen 10°C – 40°C. Lassen Sie einen heißen Akku abkühlen, bevor Sie ihn laden.
4. Laden Sie den Akku bei längerer Nichtbenutzung alle sechs Monate nach.

FUNKTIONSBESCHREIBUNG

⚠ VORSICHT:

- Vergewissern Sie sich vor der Durchführung von Einstellungen oder Funktionsprüfungen des Staubsaugers stets, dass der Staubsauger ausgeschaltet und der Akku abgenommen ist.

Anbringen und Abnehmen des Akkus (Abb. 1)

⚠ VORSICHT:

- Schalten Sie stets den Staubsauger aus, bevor Sie den Akku anbringen oder abnehmen.
- **Halten Sie Staubsauger und Akku beim Anbringen oder Abnehmen des Akkus sicher fest.** Wenn Sie Staubsauger und Akku nicht sicher festhalten, können sie Ihnen aus der Hand rutschen, was zu einer Beschädigung des Staubsaugers und des Akkus und zu Körperverletzungen führen kann.

Ziehen Sie den Akku zum Abnehmen vom Staubsauger ab, während Sie den Knopf an der Vorderseite des Akkus verschieben.

Richten Sie zum Anbringen des Akkus dessen Führungsfeder auf die Nut im Gehäuse aus, und schieben Sie den Akku hinein. Schieben Sie ihn vollständig ein, bis er mit einem hörbaren Klicken einrastet. Falls die rote Anzeige an der Oberseite des Knopfes sichtbar ist, ist der Akku nicht vollständig verriegelt.

⚠ VORSICHT:

- Schieben Sie den Akku stets bis zum Anschlag ein, bis die rote Anzeige nicht mehr sichtbar ist. Andernfalls kann der Akku aus dem Staubsauger herausfallen und Sie oder umstehende Personen verletzen.
- Unterlassen Sie Gewaltanwendung beim Anbringen des Akkus. Falls der Akku nicht reibungslos hineingelitet, ist er nicht richtig ausgerichtet.

Akku-Schutzsystem

Der Staubsauger ist mit einem Schutzsystem ausgestattet, das die Stromabgabe automatisch abschaltet, um eine lange Lebensdauer zu gewährleisten.

Der Staubsauger kann sich während des Betriebs abschalten, wenn Staubsauger und/oder Akku in die folgende Situation geraten. Dies wird durch die Aktivierung des Schutzsystems verursacht und ist kein Anzeichen für eine Störung des Staubsaugers.

- Wenn der Staubsauger überlastet wird:
 - Drücken Sie in diesem Fall die Taste „OFF“, und beseitigen Sie Überlastungsursachen, bevor Sie die Taste „HIGH/LOW“ für einen Neustart erneut drücken.
- Wenn die Akkuzellen heiß werden: (Siehe den nachstehenden Hinweis.)
 - Im Falle einer Betätigung der Taste „HIGH/LOW“ und der Taste „OFF“ bleibt der Motor im Stillstand. Unterbrechen Sie in diesem Fall den Betrieb des Staubsaugers, um ihn abkühlen zu lassen, oder laden Sie den Akku, nachdem Sie ihn vom Staubsauger abgenommen haben.
- Wenn die Akku-Restkapazität niedrig wird:
 - Im Falle einer Betätigung der Taste „HIGH/LOW“ und der Taste „OFF“ bleibt der Motor im Stillstand. Nehmen Sie in diesem Fall den Akku vom Staubsauger ab, und laden Sie ihn auf.

HINWEIS:

- Dieser temperaturabhängige Schutz wird nur dann ausgelöst, wenn ein Akku mit Sternsymbol am Staubsauger angebracht wird. **(Abb. 2)**

Schalterfunktion (Abb. 3)

Drücken Sie zum Einschalten des Staubsaugers einfach die Taste „HIGH/LOW“. Zum Ausschalten drücken Sie die Taste „OFF“. Um die Drehzahl des Staubsaugers zu ändern, drücken Sie die Taste „HIGH/LOW“. Beim ersten Drücken dieser Taste erhalten Sie die hohe Drehzahl, beim zweiten die niedrige Drehzahl. Dann wird mit jedem weiteren Drücken dieser Taste der Zyklus hohe/niedrige Drehzahl abwechselnd wiederholt.

MONTAGE

⚠ VORSICHT:

- Vergewissern Sie sich vor der Ausführung von Arbeiten am Staubsauger stets, dass der Staubsauger ausgeschaltet und der Akku abgenommen ist.
- Werden Arbeiten bei am Staubsauger angebrachtem Akku durchgeführt, kann es zu Personenverletzungen oder Beschädigung von Gegenständen im Umfeld des Staubsaugers kommen.

Montieren des Staubsacks (Abb. 4, 5, 6 und 7)

Halten Sie den Vierkantteil des Staub sackstutzens, passen Sie die Stifte im Staub sackstutzen in die Kerben im Staubauslass des Staubsaugers ein, und führen Sie ihn dann bei gleichzeitigem Rechtsdrehen bis zum Anschlag ein.

Vergewissern Sie sich dabei, dass der Verschluss teil am Staub sack nach oben gerichtet ist.

HINWEIS:

- Wenn sich der Staub sackstutzen und der Ring im Staub sack lösen, montieren Sie die Teile wie folgt.
 - (1) Richten Sie den Staub sackstutzen auf die Naht des Staub sacks aus, und montieren Sie ihn so, dass der Vorsprung oben liegt.
 - (2) Ziehen Sie den Ring im Staub sack fest an, so dass die Stifte und der Ring so positioniert sind, wie in der Abbildung gezeigt.

Anbringen des Schulterriemens (Abb. 8)

Befestigen Sie den Haken an einen Ende des Schulterriemens am Ring an der Vorderseite des Staubsaugers, und schieben Sie das andere Ende des Riemens durch das Band des Staub sacks. Befestigen Sie dann den Haken am anderen Ende so, wie in der Abbildung gezeigt.

Einstellen des Schulterriemens (Abb. 9)

Um die Länge des Schulterriemens einzustellen, ziehen Sie ihn auf die gewünschte Länge heraus, und ziehen Sie dann den Riemen in Pfeilrichtung, wie in der Abbildung gezeigt.

Anschließen des Schlauchs (Abb. 10)

⚠ VORSICHT:

- **Unterlassen Sie gewaltsames Biegen und/oder Quetschen des Schlauchs.** Gewaltsames Biegen und/oder Quetschen des Schlauchs kann Verformung oder Beschädigung des Schlauchs verursachen.
- **Tragen Sie den Staubsauger nicht am Schlauch.** Durch Ziehen kann der Schlauch verformt oder beschädigt werden.

Führen Sie das Ende „A“ des Schlauchs in die Saugöffnung des Staubsaugers ein, und drehen Sie es vollständig im Uhrzeigersinn, bis es einrastet. Bringen Sie die Manschette am Ende „B“ des Schlauchs an, und schließen Sie es dann an den Staubauslass eines Elektrowerkzeugs an.

Auswechseln der Frontmanschette (Abb. 11)

Wechseln Sie die Frontmanschette des Schlauchs entsprechend der Staubauslassgröße des verwendeten Elektrowerkzeugs.

Um die Frontmanschette zu entfernen, den Schlauch halten und entgegen dem Uhrzeigersinn drehen.

Zum Montieren die Frontmanschette im Uhrzeigersinn drehen und dann bis zum Anschlag einschrauben.

BETRIEB

⚠ WARNUNG:

- Verwenden Sie den Schulterriemen nicht bei Arbeiten an einem hohen Ort.
- Wenn Sie den Staubsauger in stationärem Zustand benutzen, stellen Sie ihn auf eine ebene und stabile Fläche.

Staubsauger (Abb. 12 und 13)

Wenn Sie den Staubsauger als tragbaren Staubsauger benutzen, kreuzen Sie den Schulterriemen vor der Brust, um Herunterfallen des Staubsaugers zu verhüten.

HINWEIS:

- Längsschnitt-Zierpapier, das je nach dem Zustand des zu schneidenden Werkstücks bei Schneidarbeiten von Gipskartonplatten erzeugt wird und in den Schlauch gelangt, kann eine Blockierung des Saugschlauchs verursachen. Wenn dies eintritt, stellen Sie die Schnitttiefe des Elektrowerkzeugs auf einen größeren Wert ein, um die Blockierung des Saugschlauchs zu beseitigen.

⚠ VORSICHT:

- Wenn der Staub sack noch fabrikneu ist, kann Staub aus seiner Oberfläche austreten. Nach mehrmaligem Gebrauch minimiert sich der Staubaustritt von der Oberfläche.

Betrieb des Staubsaugers mit Düse oder montiertem Staub sack

⚠ WARNUNG:

- **Vergewissern Sie sich vor dem Anbringen oder Abnehmen der Düse oder einer anderen Zusatzvorrichtung am Staubsauger stets, dass der Staubsauger ausgeschaltet und der Akku abgenommen ist.** Das Versäumnis, den Staubsauger auszuschalten und den Akku abzunehmen, kann zu schweren Personenverletzungen führen.

HINWEIS:

- Bevor Sie den Staubsauger unmittelbar nach dem Saugmodus im Bläsermodus benutzen, entfernen Sie sämtliche Staubreste vom Staubsauger, um mögliches Herausblasen von Staub zu verhüten.

Verwendung als Bläser (Abb. 14)

Bringen Sie unbedingt die Düse am Auslass (Ventilationsöffnung) an.

Zum Anbringen der Düse den von der Innenseite der Düse vorstehenden Stift in eine der Staubsaugerkerben einpassen, und dann die Düse durch Drehen im Uhrzeigersinn festziehen.

Zum Abnehmen die Düse entgegen dem Uhrzeigersinn drehen und herausziehen.

Die Spitze des Staubsaugers ausrichten, und dann den Staubsauger einschalten.

Entleeren des Staubsacks

⚠️ WARNUNG:

- Vergewissern Sie sich stets, dass der Staubsauger und das angeschlossene Elektrowerkzeug ausgeschaltet und der Akku abgenommen bzw. der Netzstecker des Elektrowerkzeugs (bei Netzstromversorgung) abgezogen ist, bevor Sie den Staubsack (aus Stoff) am Staubsauger anbringen oder abnehmen und entleeren. Das Versäumnis, den Staubsauger auszuschalten, den Akku abzunehmen und das angeschlossene Elektrowerkzeug vom Stromnetz zu trennen, kann zu einem elektrischen Schlag und ernsthaften Personenverletzungen führen.
- Wenn der Staubsack etwa halb voll ist, nehmen Sie ihn vom Staubsauger ab, und ziehen Sie den Verschluss heraus. Entleeren Sie den Staubsack, indem Sie ihn leicht abklopfen, um die an den Innenflächen haftenden Staubpartikel, die den Durchlass behindern können, zu lösen.

HINWEIS:

- Verwenden Sie für den Zeitpunkt zum Entleeren des Staubsacks die Richtlinie, dass der Staubsack voll wird, wenn etwa 450 Löcher von 6,5 mm Durchmesser und 40 mm Tiefe in Beton gebohrt werden. Ein mit angesammelten Partikeln zugesetzter Staubsack kann die Staubsammelleistung reduzieren und eine Beschädigung des Staubsaugermotors verursachen.

⚠️ VORSICHT:

- Befestigen Sie den Staubsack (aus Stoff) sicher am Staubsackstützen, und schließen Sie den Verschluss vor Gebrauch vollständig. Wird der Staubsack nicht fest angebracht und sein Verschluss nicht vollständig geschlossen, kann Staub herausgeblasen werden, was zu ernsthaften Personenverletzungen führen kann.

Halten Sie den Vierkanteil des Staubsackstützens mit festem Griff, drehen Sie ihn entgegen dem Uhrzeigersinn, und nehmen Sie den Staubsack ab. (Abb. 15)

Öffnen Sie den Verschluss, und entleeren Sie den Staub. (Abb. 16)

⚠️ VORSICHT:

- Entfernen Sie die am Verschlussbereich haftenden Partikel vollständig.

WARTUNG

⚠️ WARNUNG:

- Vergewissern Sie sich vor der Durchführung von Inspektions- oder Wartungsarbeiten stets, dass der Staubsauger ausgeschaltet und der Akku abgenommen ist.

Reinigen des Filterbereichs (Abb. 17)

⚠️ VORSICHT:

- Sammeln Sie außer Staub keine anderen Materialien, wie z. B. Steine, Holzspäne und dergleichen auf, da dieser Staubsauger ausschließlich für Staubsammlung vorgesehen ist. Aufsammeln von Steinen, Holzspänen und dergleichen kann Beschädigung des Gebläses und Staubsaugers verursachen.

Unterziehen Sie den Filterbereich im Saugeinlass einer regelmäßigen Überprüfung und Reinigung. Entfernen Sie Fremdkörper, welche die Saugöffnung blockieren.

Reinigen

Wischen Sie die Außenseite (Gehäuse) des Staubsaugers von Zeit zu Zeit mit einem mit Seifenwasser getränkten Tuch ab.

⚠️ VORSICHT:

- Verwenden Sie auf keinen Fall Benzin, Benzol, Verdüner, Alkohol oder dergleichen. Solche Mittel können Verfärbung, Verformung oder Rissbildung verursachen.

Um die SICHERHEIT und ZUVERLÄSSIGKEIT dieses Produkts zu gewährleisten, sollten Reparaturen und andere Wartungs- oder Einstellarbeiten nur von autorisierten Makita-Kundendienstzentren unter ausschließlicher Verwendung von Makita-Originalersatzteilen ausgeführt werden.

SONDERZUBEHÖR

⚠️ VORSICHT:

- Die folgenden Zubehörteile oder Vorrichtungen werden für den Einsatz mit dem in dieser Anleitung beschriebenen Makita-Staubsauger empfohlen. Die Verwendung anderer Zubehörteile oder Vorrichtungen kann eine Verletzungsgefahr darstellen. Verwenden Sie Zubehörteile oder Vorrichtungen nur für ihren vorgesehenen Zweck.

Wenn Sie weitere Einzelheiten bezüglich dieser Zubehörteile benötigen, wenden Sie sich bitte an Ihre Makita-Kundendienststelle.

- Düsen
- Staubsäcke
- Schläuche
- Frontmanschetten
- Schulterriemen
- Original-Makita-Akku und -Ladegerät

HINWEIS:

- Manche Teile in der Liste können als Standardzubehör im Werkzeugsatz enthalten sein. Sie können von Land zu Land unterschiedlich sein.

ENG905-1

Geräusch

Typischer A-bewerteter Geräuschpegel ermittelt gemäß EN60745:

Modell DVC340

Schalldruckpegel (L_{pA}): 81 dB (A)
Schalleistungspegel (L_{WA}): 92 dB (A)
Ungewissheit (K): 3 dB (A)

Modell DVC350

Schalldruckpegel (L_{pA}): 84 dB (A)
Schalleistungspegel (L_{WA}): 95 dB (A)
Ungewissheit (K): 3 dB (A)

Gehörschutz tragen

ENG900-1

Vibration

Vibrationsgesamtwert (Drei-Achsen-Vektorsumme) ermittelt gemäß EN60745:

Arbeitsmodus: Leerlaufbetrieb
Vibrationsemission (a_{h1}): 2,5 m/s² oder weniger
Ungewissheit (K): 1,5 m/s²

- Der angegebene Vibrationsemissionswert wurde im Einklang mit der Standardprüfmethode gemessen und kann für den Vergleich zwischen Maschinen herangezogen werden.
- Der angegebene Vibrationsemissionswert kann auch für eine Vorbewertung des Gefährdungsgrads verwendet werden.

 **WARNUNG:**

- Die Vibrationsemission während der tatsächlichen Benutzung des Elektrowerkzeugs kann je nach der Benutzungsweise der Maschine vom angegebenen Emissionswert abweichen.
- Identifizieren Sie Sicherheitsmaßnahmen zum Schutz des Benutzers anhand einer Schätzung des Gefährdungsgrads unter den tatsächlichen Benutzungsbedingungen (unter Berücksichtigung aller Phasen des Arbeitszyklus, wie z. B. Ausschalt- und Leerlaufzeiten der Maschine zusätzlich zur Betriebszeit).

ATTENZIONE: Questo utensile può essere usato dai bambini di 8 anni e oltre, e dalle persone con capacità fisiche, sensoriali o mentali ridotte, o senza esperienza o conoscenza, se sono sotto la supervisione o hanno ricevuto le istruzioni per l'utilizzo sicuro dell'utensile e capiscono i rischi che comporta. I bambini non devono giocare con l'utensile. La pulizia e la manutenzione non devono essere fatte dai bambini senza supervisione.

Visione generale

1 Indicatore rosso	12 Sporgenza	23 Per installare
2 Pulsante	13 Anello	24 Carta decorativa
3 Batteria	14 Tracolla	25 Lama sega
4 Marchio di stella	15 Due ganci	26 Base
5 Pulsante HIGH/LOW	16 Tirare fuori	27 Profondità di taglio
6 Pulsante OFF	17 Per raccorciare	28 Tavola di gesso
7 Uscita polvere	18 Per allungare	29 Uscita (foro di ventilazione)
8 Giunto borsa polvere	19 Utensile elettrico	30 Bocchetta
9 Perni	20 Boccaglio anteriore	31 Perno
10 Borsa polvere	21 Tubo flessibile	32 Sezione quadrata
11 Gancio	22 Per rimuovere	33 Area filtro

DATI TECNICI

Modello		DVC340	DVC350
Capacità	Volume	3,0 L	
	Volume aria massimo	3,3 m ³ /min.	3,4 m ³ /min.
Utilizzo continuo (Circa.)	HIGH	4 min. (BL1415)	6 min. (BL1815)
		5 min. (BL1415N)	7 min. (BL1815N)
		—	8 min. (BL1820)
		10 min. (BL1430)	13 min. (BL1830)
		13 min. (BL1440)	18 min. (BL1840)
		—	21 min. (BL1850)
	LOW	8 min. (BL1415)	12 min. (BL1815)
		10 min. (BL1415N)	14 min. (BL1815N)
		—	16 min. (BL1820)
		20 min. (BL1430)	26 min. (BL1830)
		26 min. (BL1440)	36 min. (BL1840)
		—	42 min. (BL1850)
Lunghezza totale		403 mm	
Peso netto		2,1 kg (BL1415/BL1415N)	2,2 kg (BL1815/BL1815N/BL1820)
		2,3 kg (BL1430/BL1440)	2,4 kg (BL1830/BL1840/BL1850)
Tensione nominale		C.c. 14,4 V	C.c. 18 V

- Per il nostro programma di ricerca e sviluppo continui, i dati tecnici sono soggetti a modifiche senza preavviso.
- I dati tecnici e la cartuccia batteria potrebbero differire da paese a paese.
- Peso, con batteria, secondo la Procedura EPTA 01/2003

ENE017-1

Utilizzo previsto

Questo utensile è progettato per la raccolta della polvere secca.

GEA010-1

Avvertimenti generali per la sicurezza dell'utensile elettrico

⚠ AVVERTIMENTO Leggere tutti gli avvertimenti per la sicurezza e le istruzioni. La mancata osservanza degli avvertimenti e delle istruzioni può causare scosse elettriche, incendio e/o gravi incidenti.

Conservare tutti gli avvertimenti e le istruzioni per riferimenti futuri.

ENB117-4

AVVERTIMENTI PER LA SICUREZZA PER L'ASPIRATORE A BATTERIA

⚠ AVVERTIMENTO! IMPORTANTE LEGGERE ATTENTAMENTE tutti gli avvertimenti per la sicurezza e tutte le istruzioni PRIMA DELL'USO. La mancata osservanza degli avvertimenti e delle istruzioni può causare scosse elettriche, incendio e/o gravi incidenti.

1. Gli operatori devono essere istruiti adeguatamente sull'uso di questo aspiratore.
2. Questo aspiratore non è adatto alla raccolta delle polveri pericolose.
3. Questo aspiratore deve essere usato soltanto a secco.
4. Questo aspiratore è per l'uso esclusivo negli interni.
5. Questo aspiratore deve essere conservato soltanto negli interni.
6. Evitare di aspirare i materiali seguenti:
 - Materiali caldi, come sigarette accese o scintille/polvere metallica generate dalla smerigliatura/taglio dei metalli
 - Materiali infiammabili, come benzina, solventi, benzolo, cherosene o vernici
 - Materiali esplosivi, come nitroglicerina
 - Materiali accendibili, come alluminio, zinco, magnesio, titanio, fosforo o celluloidi
 - Sporco bagnato, olio o simili
 - Pezzi duri con bordi taglienti, come schegge di legno, metalli, pietre, vetri, chiodi, puntine o lamette da barba
 - Polveri coagulanti, come cemento o toner
 - Polveri conduttive, come di metallo o carbone
 - Particelle fini, come polvere di calcestruzzo
 Tali azioni potrebbero causare un incendio, incidenti e/o danneggiare l'utensile.
7. Smettere immediatamente l'utilizzo se si nota qualcosa di anormale.
8. Non avvicinare l'aspiratore alle stufe o altre sorgenti di calore.

9. Non bloccare il foro di aspirazione o i fori di ventilazione.
10. Non lasciare l'aspiratore con la batteria montata. Rimuovere la batteria dall'aspiratore quando non viene usato e prima della manutenzione.
11. Non permettere che venga usato come giocattolo. Fare molta attenzione se l'aspiratore viene usato da bambini o vicino ad essi.
12. Usare l'aspiratore soltanto come descritto in questo manuale. Usare soltanto gli accessori raccomandati dal produttore.
13. Non inserire alcun oggetto nelle aperture. Non usare l'aspiratore se una qualsiasi delle aperture è bloccata. Mantenerlo esente da polvere, filacce, capelli e qualsiasi altra cosa che potrebbe ridurre il flusso d'aria.
14. Fare particolarmente attenzione durante la pulizia delle scale.
15. Usando l'aspiratore come soffiatore
 - usare sempre gli occhiali di protezione, un copricapo e una mascherina durante l'uso;
 - accertarsi sempre che l'aspiratore sia spento e che la batteria sia stata rimossa prima di eliminare un intasamento;
 - fare sempre attenzione dove si appoggiano i piedi nei piani inclinati;
 - camminare, mai correre;
 - mai puntare la bocchetta su qualcuno vicino;
 - Mantenere stretti tutti i dadi, bulloni e viti, in modo che l'aspiratore sia in condizione di funzionamento sicuro;
 - Conservare l'aspiratore soltanto in un luogo asciutto;
 - L'operatore o l'utente è responsabile degli incidenti o pericoli nei confronti di terzi o della loro proprietà.

CONSERVARE PER CONSULTAZIONI FUTURE

⚠ AVVERTIMENTO:

NON lasciare che comodità o la familiarità d'utilizzo con il prodotto (acquisita con l'uso ripetuto) sostituisca la stretta osservanza delle norme di sicurezza. L'utilizzo SBAGLIATO o la mancata osservanza delle norme di sicurezza di questo manuale di istruzioni potrebbero causare lesioni serie.

Questo aspiratore è progettato per entrambi l'uso domestico e commerciale, per esempio negli alberghi, scuole, ospedali, fabbriche, negozi, uffici e locali di affari a noleggio.

ENC007-8

ISTRUZIONI IMPORTANTI DI SICUREZZA

PER LA CARTUCCIA BATTERIA

1. Prima di usare la cartuccia batteria, leggere tutte le istruzioni e le avvertenze sul (1) caricabatteria, sulla (2) batteria e sul (3) prodotto che utilizza la batteria.
2. Non smontare la cartuccia batteria.
3. Se il tempo di utilizzo è diventato molto corto, smettere immediatamente di usare l'utensile. Può risultare un rischio di surriscaldamento, possibili ustioni e addirittura un'esplosione.
4. Se l'elettrolita va negli occhi, risciacquarli con acqua pulita e rivolgersi immediatamente ad un medico. Può risultare la perdita della vista.

5. **Non cortocircuitare la cartuccia batteria:**
 - (1) Non toccare i terminali con qualche metallo conduttivo.
 - (2) Evitare di conservare la cartuccia batteria in un contenitore con altri oggetti metallici come i chiodi, le monete, ecc.
 - (3) Non esporre la cartuccia batteria all'acqua o alla pioggia.

Un cortocircuito della batteria può causare un grande flusso di corrente, il surriscaldamento, possibili ustioni e addirittura un guasto.
6. **Non conservare l'utensile e la cartuccia batteria in luoghi in cui la temperatura può raggiungere o superare i 50°C.**
7. **Non incenerire la cartuccia batteria anche se è gravemente danneggiata o è completamente esaurita.** La cartuccia batteria può esplodere e provocare un incendio.
8. **Fare attenzione a non lasciar cadere o a colpire la batteria.**
9. **Non usare una batteria danneggiata.**
10. **Seguire le norme locali relative al modo di disfarsi della batteria.**

CONSERVARE QUESTE ISTRUZIONI.

Suggerimenti per mantenere la durata massima della batteria

1. **Caricare la cartuccia batteria prima che si scarichi completamente.**
Smettere sempre di usare l'utensile e caricare la cartuccia batteria quando si nota che la potenza dell'utensile è diminuita.
2. **Non ricaricare mai una cartuccia batteria completamente carica.** La sovraccarica riduce la durata della batteria.
3. **Caricare la cartuccia batteria con la temperatura ambiente da 10°C a 40°C.** Lasciar raffreddare una cartuccia batteria calda prima di caricarla.
4. **Caricare la cartuccia della batteria una volta ogni sei mesi se non si intende usarla per un lungo periodo di tempo.**

DESCRIZIONE DELL'UTILIZZO

⚠ ATTENZIONE:

- Accertarsi sempre che l'aspiratore sia spento e che la batteria sia stata rimossa prima di regolare o di controllare il suo funzionamento.

Installazione o rimozione della batteria (Fig. 1)

⚠ ATTENZIONE:

- Spegnerne sempre l'aspiratore prima di installare o di rimuovere la cartuccia batteria.
- **Tenere sempre saldamente l'aspiratore e la cartuccia batteria quando si installa o si rimuove la cartuccia batteria.** Se non si tengono saldamente l'aspiratore o la cartuccia batteria, potrebbero sfuggire dalle mani e danneggiare l'aspiratore o la cartuccia batteria, e causare un incidente.

Per rimuovere la cartuccia batteria, spingerla dall'aspiratore spingendo allo stesso tempo il bottone sulla parte anteriore della cartuccia.

Per installare la batteria, allineare l'appendice della batteria sulla scanalatura dell'alloggiamento e spingerla in posizione. Inserirà completamente finché si blocca in posizione con un piccolo scatto. Se si vede l'indicatore rosso sul lato superiore del bottone, vuol dire che la batteria non è bloccata completamente.

⚠ ATTENZIONE:

- Installare sempre completamente la batteria finché l'indicatore rosso non è più visibile. In caso contrario, potrebbe cadere dall'aspiratore causando un incidente all'operatore o a chi è vicino.
- Non installare forzatamente la batteria. Se la batteria non scivola dentro facilmente, vuol dire che non viene inserita correttamente.

Sistema di protezione della batteria

Questo aspiratore è dotato di un sistema di protezione che interrompe automaticamente la corrente per garantirne la lunga vita di servizio.

L'aspiratore potrebbe arrestarsi durante il funzionamento se esso e/o la batteria vengono a trovarsi nella condizione seguente. Ciò è causato dall'attivazione del sistema di protezione e non denota un guasto dell'aspiratore.

- Se si verifica il sovraccarico dell'aspiratore:
Premere il pulsante "OFF", eliminare la causa del sovraccarico, e premere di nuovo il pulsante "HIGH/LOW" per riavviarlo.
- Se le celle della batteria diventano calde: (vedere la nota sotto.)
Il motore non si riavvia anche se si premono i pulsanti "HIGH/LOW" e "OFF". Smettere allora di usare l'aspiratore e lasciar raffreddare o ricaricare la batteria dopo averla rimossa dall'aspiratore.
- Se la capacità restante della batteria diventa bassa:
Il motore non si riavvia anche se si premono i pulsanti "HIGH/LOW" e "OFF". Rimuovere la batteria dall'aspiratore e caricarla.

NOTA:

- Questa protezione sensibile alla temperatura si attiva soltanto quando si usa l'aspiratore con una batteria contrassegnata da un marchio di stella. (Fig. 2)

Funzionamento dell'interruttore (Fig. 3)

Per avviare l'aspiratore, premere semplicemente il pulsante "HIGH/LOW". Per spegnerlo, premere il pulsante "OFF". Per cambiare la velocità dell'aspiratore, premere il pulsante "HIGH/LOW". La prima pressione di questo pulsante è per l'alta velocità, e la seconda pressione è per la bassa velocità, dopo di che ogni pressione successiva del pulsante ripete alternativamente il ciclo di alta/bassa velocità.

MONTAGGIO

⚠ ATTENZIONE:

- Accertarsi sempre che l'aspiratore sia spento e che la batteria sia stata rimossa prima di qualsiasi intervento su di esso.
- Qualsiasi intervento con la batteria installata sull'aspiratore potrebbe causare un incidente o danneggiare gli oggetti intorno ad esso.

Installazione della borsa polvere (Fig. 4, 5, 6 e 7)

Tenere il giunto polvere per la sezione quadrata, inserire i perni del giunto borsa polvere nelle tacche dell'uscita polvere dell'aspiratore, e inserirla poi e girarla completamente in senso orario finché si ferma.

A questo punto, accertarsi che la parte della cerniera della borsa polvere sia rivolta in alto.

NOTA:

- Se il giunto borsa polvere e l'anello dentro la borsa polvere si staccano, installare come segue.
 - (1) Allineare il giunto borsa polvere sulla cucitura della borsa polvere e installarlo in modo che la sua sporgenza sia rivolta in alto.
 - (2) Stringere saldamente l'anello dentro la borsa polvere in modo che i perni e l'anello siano posizionati come mostrato nella illustrazione.

Installazione della tracolla (Fig. 8)

Attaccare il gancio di una estremità della tracolla all'anello sul davanti dell'aspiratore, inserire l'altra estremità della tracolla nella cinghia della borsa polvere e attaccare poi il gancio dell'altra estremità come mostrato nella illustrazione.

Regolazione della tracolla (Fig. 9)

Per regolare la lunghezza della tracolla, tirarla fuori alla lunghezza desiderata e tirare la tracolla nella direzione della freccia come mostrato nella illustrazione.

Collegamento del tubo flessibile (Fig. 10)

⚠ ATTENZIONE:

- **Non piegare a forza e/o pestare il tubo flessibile.** Se si piega a forza o si pesta il tubo flessibile, lo si potrebbe deformare o danneggiare.
- **Non trasportare l'aspiratore tenendolo per il tubo flessibile.** Se si tira il tubo flessibile, lo si potrebbe deformare o danneggiare.

Inserire l'estremità "A" del tubo flessibile nell'apertura di aspirazione dell'aspiratore, e girarla completamente in senso orario finché si blocca. Attaccare il boccaglio all'estremità "B" del tubo flessibile, e collegarlo poi all'uscita polvere dell'utensile elettrico.

Sostituzione del boccaglio anteriore (Fig. 11)

Cambiare il boccaglio anteriore del tubo flessibile secondo le dimensioni dell'uscita polvere dell'utensile elettrico usato.

Per rimuovere il boccaglio anteriore, tenere il tubo flessibile e girarlo in senso antiorario.

Per montare il boccaglio anteriore, girarlo in senso orario e avvitarlo poi finché si arresta.

FUNZIONAMENTO

⚠ AVVERTIMENTO:

- Non usare la tracolla quando si lavora nei luoghi alti.
- Per usare l'aspiratore come aspiratore stazionario, metterlo su una superficie piana e stabile.

Aspiratore (Fig. 12 e 13)

Quando si usa l'aspiratore come aspiratore portatile, incrociando la tracolla sul petto si rende difficile la sua caduta.

NOTA:

- La carta decorativa tagliata lunga che potrebbe essere prodotta dal lavoro di taglio della tavola di gesso secondo le condizioni del pezzo da tagliare e che potrebbe essere stipata dentro il tubo flessibile potrebbe causare il bloccaggio dell'aspirazione del tubo flessibile. In tal caso, cambiare l'impostazione della profondità di taglio dell'utensile elettrico a una profondità maggiore che libera il bloccaggio dell'aspirazione del tubo flessibile.

⚠ ATTENZIONE:

- Quando la borsa polvere è nuova, la polvere potrebbe uscire dalla sua superficie. Usandola alcune volte si minimizza la perdita della polvere dalla superficie.

Funzionamento dell'aspiratore con una bocchetta o una borsa polvere installata

⚠ AVVERTIMENTO:

- **Accertarsi sempre che l'aspiratore sia spento e che la batteria sia stata rimossa prima di installare o di rimuovere la bocchetta o qualsiasi altro accessorio dell'aspiratore.** Se non si spegne e non si rimuove la batteria, si potrebbe causare un grave incidente.

NOTA:

- Prima di far funzionare l'aspiratore come soffiatore immediatamente dopo che è stato usato come aspiratore, rimuovere dall'aspiratore tutta la polvere restante prodotta dalla soffiatura della polvere.

Utilizzo come soffiatore (Fig. 14)

Non dimenticare di installare la bocchetta sull'uscita (foro di ventilazione).

Per installare la bocchetta, inserire il perno che sporge da dentro la bocchetta in una delle tacche dell'aspiratore e girare poi saldamente la bocchetta in senso orario.

Per rimuovere la bocchetta, girarla in senso antiorario e tirarla fuori.

Dirigere l'estremità superiore dell'aspiratore e poi accenderlo.

Svuotamento della borsa polvere

⚠ AVVERTIMENTO:

- **Accertarsi sempre che entrambi l'aspiratore e l'utensile elettrico collegato siano spenti, che la batteria sia stata rimossa e che l'utensile elettrico, se provvisto di cavo di alimentazione, sia staccato dalla presa di corrente prima di installare o di rimuovere la borsa polvere (fatta di stoffa) sull'aspiratore e di vuotarla.** Se non si spegne l'aspiratore, non si rimuove la batteria e non si stacca il cavo di alimentazione dell'utensile elettrico dalla presa di corrente c'è pericolo di scosse elettriche e di un grave incidente.
- Quando la borsa polvere è quasi piena a metà, rimuoverla dall'aspiratore e aprire la cerniera. Svuotare la borsa polvere del suo contenuto, dandole dei colpi leggeri per rimuovere i frammenti attaccati all'interno che potrebbero ostacolare l'ulteriore raccolta della polvere.

NOTA:

- **Per quando svuotare la borsa polvere, tenere generalmente presente che essa diventa piena dopo che si sono trapanati nel cemento circa 450 fori di 6,5 mm di diametro e di 40 mm di profondità.** Una borsa polvere intasata di particelle accumulate potrebbe ridurre la raccolta della polvere e danneggiare il motore dell'aspiratore.

⚠ATTENZIONE:

- **Attaccare saldamente la borsa polvere (fatta di stoffa) al giunto borsa polvere, e chiudere completamente la cerniera prima dell'uso.** Se non si attacca saldamente la borsa polvere e non si chiude completamente la cerniera, la polvere potrebbe essere soffiata fuori e causare un grave incidente.

Tenere saldamente la sezione quadrata del giunto borsa polvere, girarla in senso antiorario e rimuovere poi la borsa polvere. **(Fig. 15)**

Aprire la cerniera e svuotare la polvere. **(Fig. 16)**

⚠ATTENZIONE:

- Rimuovere tutte le particelle attaccate all'area della cerniera.

MANUTENZIONE

⚠AVVERTIMENTO:

- Accertarsi sempre che l'aspiratore sia spento e che la batteria sia stata rimossa prima di cercare di eseguire l'ispezione o la manutenzione.

Pulizia dell'area del filtro (Fig. 17)

⚠ATTENZIONE:

- Non cercare di aspirare materiali diversi dalla polvere, come sassi, trucioli di legno e simili perché l'aspiratore è progettato per la raccolta della polvere. L'aspirazione di sassi, trucioli di legno e simili potrebbe danneggiare la ventola e l'aspiratore.

Controllare e pulire regolarmente l'area del filtro nell'ingresso di aspirazione. Rimuovere tutte le sostanze estranee che ostacolano l'aspirazione.

Pulizia

Pulire regolarmente l'esterno (corpo) dell'aspiratore usando un panno inumidito con acqua e sapone.

⚠ATTENZIONE:

- Mai usare benzina, benzene, solventi, alcol e altre sostanze simili. Potrebbero causare scolorimenti, deformazioni o crepe.

Per preservare la SICUREZZA e l'AFFIDABILITÀ del prodotto, le riparazioni, la manutenzione o la regolazione devono essere eseguite da un Centro Assistenza Makita autorizzato usando sempre ricambi Makita.

ACCESSORI OPZIONALI

⚠ATTENZIONE:

- Questi accessori o raccordi sono consigliati per l'utilizzo con l'aspiratore Makita specificato in questo manuale. L'impiego di altri accessori o attrezzi può costituire un rischio di lesioni alle persone. Usare gli accessori o raccordi soltanto per il loro scopo prefissato.

Per ottenere maggiori dettagli su questi accessori, rivolgersi a un centro assistenza Makita autorizzato locale.

- Bocchette
- Borse polvere
- Tubi flessibili
- Boccagli anteriori
- Tracolle
- Batteria e caricatore genuini Makita

NOTA:

- Alcuni articoli nella lista potrebbero essere inclusi nell'imballo dell'utensile come accessori standard. Essi potrebbero differire da Paese a Paese.

ENG905-1

Rumore

Il tipico livello di rumore pesato A determinato secondo EN60745:

Modello DVC340

Livello pressione sonora (L_{pA}): 81 dB (A)

Livello potenza sonora (L_{WA}): 92 dB (A)

Incertezza (K): 3 dB (A)

Modello DVC350

Livello pressione sonora (L_{pA}): 84 dB (A)

Livello potenza sonora (L_{WA}): 95 dB (A)

Incertezza (K): 3 dB (A)

Indossare i paraorecchi

ENG900-1

Vibrazione

Il valore totale di vibrazione (somma vettore triassiale) determinato secondo EN60745:

Modalità di lavoro: funzionamento senza carico

Emissione di vibrazione (a_h): 2,5 m/s² o meno

Incertezza (K): 1,5 m/s²

ENG901-1

- Il valore di emissione delle vibrazioni dichiarato è stato misurato conformemente al metodo di test standard, e può essere usato per paragonare un utensile con un altro.
- Il valore di emissione delle vibrazioni dichiarato può anche essere usato per una valutazione preliminare dell'esposizione.

⚠AVVERTIMENTO:

- L'emissione delle vibrazioni durante l'uso reale dell'utensile elettrico può differire dal valore di emissione dichiarato a seconda dei modi in cui viene usato l'utensile.
- Identificare le misure di sicurezza per la protezione dell'operatore basate sulla stima dell'esposizione nelle condizioni reali d'utilizzo (tenendo presente tutte le parti del ciclo operativo, come le volte in cui l'utensile viene spento e quando gira a vuoto, oltre al tempo di funzionamento).

WAARSCHUWING: Dit apparaat mag worden gebruikt door kinderen van 8 jaar en ouder of door personen met beperkte fysieke, zintuiglijke of verstandelijke vermogens of gebrek aan ervaring of kennis van zaken, maar alleen onder toezicht of na instructie in veilig gebruik van het apparaat, met begrip van de eventuele risico's. Kinderen mogen niet met het apparaat spelen. Reinigen en onderhoud van het apparaat mag niet door kinderen worden verricht, tenzij onder toezicht.

Verklaring van algemene gegevens

1 Rode indicator	12 Uitsteeksel	23 Aanbrengen
2 Knop	13 Ring	24 Rugvel
3 Accu	14 Schouderriem	25 Zaagblad
4 Ster-merkteken	15 Twee haken	26 Zool
5 "HIGH/LOW"-knop	16 Trek omhoog	27 Zaagdiepte
6 "OFF"-knop	17 Korter maken	28 Gipsplaat
7 Uitblaasopening (stof)	18 Langer maken	29 Uitblaasopening (lucht)
8 Stofzakaansluiting	19 Elektrisch gereedschap	30 Mondstuk
9 Pennen	20 Aansluitmond	31 Pen
10 Stofzak	21 Slang	32 Vierkante gedeelte
11 Lus	22 Verwijderen	33 Filtergebied

TECHNISCHE GEGEVENS

Model		DVC340	DVC350
Inhoud	Volume	3,0 L	
	Max. luchtvolume	3,3 m ³ /min.	3,4 m ³ /min.
Ononderbroken gebruik (Ong.)	HIGH	4 min. (met BL1415)	6 min. (met BL1815)
		5 min. (met BL1415N)	7 min. (met BL1815N)
		—	8 min. (met BL1820)
		10 min. (met BL1430)	13 min. (met BL1830)
		13 min. (met BL1440)	18 min. (met BL1840)
		—	21 min. (met BL1850)
	LOW	8 min. (met BL1415)	12 min. (met BL1815)
		10 min. (met BL1415N)	14 min. (met BL1815N)
		—	16 min. (met BL1820)
		20 min. (met BL1430)	26 min. (met BL1830)
		26 min. (met BL1440)	36 min. (met BL1840)
		—	42 min. (met BL1850)
Totale lengte		403 mm	
Netto gewicht		2,1 kg (BL1415/BL1415N)	2,2 kg (BL1815/BL1815N/BL1820)
		2,3 kg (BL1430/BL1440)	2,4 kg (BL1830/BL1840/BL1850)
Nominale spanning		DC 14,4 V	DC 18 V

- In verband met ononderbroken research en ontwikkeling behouden wij ons het recht voor bovenstaande technische gegevens te wijzigen zonder voorafgaande kennisgeving.
- De technische gegevens de accu kunnen van land tot land verschillen.
- Gewicht, inclusief accu, volgens de EPTA-procedure 01/2003

ENE017-1

Doeleinden van gebruik

Het gereedschap is bedoeld om droog stof te verzamelen.

GEA010-1

Algemene veiligheidswaarschuwingen voor elektrisch gereedschap

⚠ WAARSCHUWING Lees alle veiligheidswaarschuwingen en alle instructies. Het niet volgen van de waarschuwingen en instructies kan leiden tot elektrische schokken, brand en/of ernstig letsel.

Bewaar alle waarschuwingen en instructies om in de toekomst te kunnen raadplegen.

ENB117-4

VEILIGHEIDSWAARSCHUWINGEN SPECIFIEK VOOR EEN ACCUSTOFZUIGER

⚠ WAARSCHUWING! BELANGRIJK LEES VÓÓR GEBRUIK alle veiligheidswaarschuwingen en alle instructies **ZORGVULDIG DOOR**. Het niet volgen van de waarschuwingen en instructies kan leiden tot elektrische schokken, brand en/of ernstig letsel.

1. Gebruikers moeten goed worden geïnstrueerd over het gebruik van deze stofzuiger.
2. Deze stofzuiger is niet geschikt voor het opzuigen van gevaarlijk stof.
3. Deze stofzuiger is alleen geschikt voor droog gebruik.
4. Deze stofzuiger is alleen geschikt voor gebruik binnenshuis.
5. Deze stofzuiger mag alleen binnenshuis worden opgeborgen.
6. Zuig de volgende stoffen niet op:
 - Hete stoffen, zoals brandende sigaretten of gloeiend hete metaaldeeltjes veroorzaakt door het schuren/slijpen van metaal
 - Brandbare stoffen, zoals benzine, thinner, wasbenzine, kerosine of verf
 - Explosieve stoffen, zoals nitroglycerine
 - Ontvlambare stoffen, zoals aluminium, zink, magnesium, titanium, fosfor of celluloid
 - Nat vuil, water, olie en dergelijk
 - Harde stukjes met scherpe randen, zoals houtsnippers, metaaldeeltjes, steentjes, glasstukjes, spijkers, punaises of scheermesjes
 - Poeder dat klontert, zoals cement of toner
 - Geleidend stof, zoals metaalvijzel of koolstofpoeder
 - Zeer fijne stof, zoals cementpoeder
 Een dergelijk gebruik kan leiden tot brand, persoonlijk letsel en/of materiële schade.
7. Stop onmiddellijk met het gebruik als u iets abnormaals opmerkt.

8. Houd uit de buurt van fornuizen en verwarmingsbronnen.
9. **Blokkeer de inlaatopening en de ventilatieopeningen niet.**
10. **Laat de stofzuiger niet onbeheerd achter terwijl de accu is geplaatst. Verwijder de accu van het gereedschap wanneer dit niet in gebruik is en voordat onderhoudswerkzaamheden worden uitgevoerd.**
11. **Sta niet toe dat ermee gespeeld wordt. Let goed op bij gebruik in de buurt van kinderen.**
12. **Gebruik uitsluitend zoals beschreven in deze gebruiksaanwijzing. Gebruik uitsluitend hulpstukken aanbevolen door de fabrikant.**
13. **Steek geen voorwerpen in de openingen. Gebruik het apparaat niet wanneer een opening verstopt zit, houd het apparaat vrij van stof, pluizen, haar en alles wat de luchtdoorstroming kan hinderen.**
14. **Wees extra voorzichtig bij gebruik op een trap.**
15. **Bij gebruik van de stofzuiger als een luchtblazer:**
 - Draag tijdens gebruik altijd een veiligheidsbril, een pet en een stofmasker.
 - Zorg er altijd voor dat de stofzuiger uitgeschakeld is en de accu verwijderd is alvorens een verstopping op te heffen.
 - Controleer op een gloeiend terrein altijd of u voldoende steun hebt om te staan.
 - Loop rustig, nooit te snel.
 - Richt het mondstuk nooit op iemand in de buurt.
 - Zorg ervoor dat alle moeren, bouten en schroeven stevig vastgedraaid zijn om er zeker van te zijn dat de stofzuiger altijd op een veilige manier gebruiksklaar is.
 - Berg de stofzuiger op een droge plaats op.
 - De gebruiker is verantwoordelijk wanneer zich ongelukken of gevaren voordoen ten aanzien van andere personen of hun eigendommen.

BEWAAR VOOR LATERE NASLAG

⚠ WAARSCHUWING:

Laat u **NIET** misleiden door een vals gevoel van comfort en bekendheid met het gereedschap (na veelvuldig gebruik) en neem alle veiligheidsvoorschriften van het betreffende gereedschap altijd strikt in acht. **VERKEERD GEBRUIK** of het niet naleven van de veiligheidsvoorschriften in deze gebruiksaanwijzing kan leiden tot ernstige verwondingen.

Deze stofzuiger is bedoeld voor zowel huishoudelijk als commercieel gebruik, bijvoorbeeld in hotels, scholen, ziekenhuizen, fabrieken, winkels, kantoren en verhuurbedrijven.

ENC007-8

BELANGRIJKE VEILIGHEIDSVORSCHRIFTEN

VOOR ACCU

1. Lees alle voorschriften en waarschuwingen op (1) de acculader, (2) de accu, en (3) het product waarvoor de accu wordt gebruikt, aandachtig door alvorens de acculader in gebruik te nemen.
2. Neem de accu niet uit elkaar.

3. Als de gebruikstijd van een opgeladen accu aanzienlijk korter is geworden, moet u het gebruik ervan onmiddellijk stopzetten. Voortgezet gebruik kan oververhitting, brandwonden en zelfs een ontploffing veroorzaken.
4. Als er elektrolyt in uw ogen is terechtgekomen, spoel dan uw ogen met schoon water en roep onmiddellijk de hulp van een dokter in. Elektrolyt in de ogen kan blindheid veroorzaken.
5. Voorkom kortsluiting van de accu:
 - (1) Raak de acculemmen nooit aan met een geleidend materiaal.
 - (2) Bewaar de accu niet in een bak waarin andere metalen voorwerpen zoals spijkers, munten e.d. worden bewaard.
 - (3) Stel de accu niet bloot aan water of regen. Kortsluiting van de accu kan oorzaak zijn van een grote stroomafgifte, oververhitting, brandwonden, en zelfs defecten.
6. Bewaar het gereedschap en de accu niet op plaatsen waar de temperatuur kan oplopen tot 50°C of hoger.
7. Werp de accu nooit in het vuur, ook niet wanneer hij zwaar beschadigd of volledig versleten is. De accu kan namelijk ontploffen in het vuur.
8. Wees voorzichtig dat u de accu niet laat vallen en hem niet blootstelt aan schokken of stoten.
9. Gebruik nooit een beschadigde accu.
10. Volg bij het wegwerpen van de accu de plaatselijk geldende voorschriften.

BEWAAR DEZE VOORSCHRIFTEN.

Tips voor een maximale levensduur van de accu

1. Laad de accu op voordat hij volledig ontladen is. Stop het gebruik van het gereedschap en laad de accu op telkens wanneer u vaststelt dat het vermogen van het gereedschap is afgenomen.
2. Laad een volledig opgeladen accu nooit opnieuw op. Als u de accu te veel oplaadt, zal hij minder lang meegaan.
3. Laad de accu op bij een kamertemperatuur tussen 10°C en 40°C. Laat een warme accu afkoelen alvorens hem op te laden.
4. Laad de accu zeker elk half jaar een keer op, ook als u deze geruime tijd lang niet gebruikt.

BESCHRIJVING VAN DE FUNCTIES

⚠ LET OP:

- Zorg ervoor dat de stofzuiger is uitgeschakeld en dat de accu is verwijderd voordat u de werking van de stofzuiger aanpast of controleert.

De accu aanbrengen en verwijderen (Fig. 1)

⚠ LET OP:

- Schakel de stofzuiger altijd uit voordat u de accu aanbrengt of verwijdert.
- Houd de stofzuiger en de accu allebei stevig vast wanneer u de accu aanbrengt of verwijdert. Als u de stofzuiger en de accu niet stevig vasthoudt, zou er iets uit uw handen kunnen glijpen, met gevaar voor schade aan de stofzuiger of de accu en voor eventuele verwonding.

Om de accu te verwijderen, schuift u deze uit de stofzuiger los terwijl u de knop voorop de accu ingedrukt houdt.

Voor het aanbrengen van de accu plaatst u de tong van de accu in de groef van de behuizing en schuift u de accu op zijn plaats. Schuif de accu er altijd volledig in totdat die op zijn plaats vast klikt. Wanneer de rode indicator op de bovenkant van de knop nog zichtbaar is, zit de accu niet volledig erin.

⚠ LET OP:

- Schuif de accu volledig erin totdat de rode indicator niet meer zichtbaar is. Als u dit nalaat, zou de accu uit de stofzuiger kunnen vallen en uzelf of anderen kunnen verwonden.
- Druk de accu er niet met kracht in. Als de accu er niet soepel in gaat, houdt u die waarschijnlijk in de verkeerde stand.

Accubeveiligingssysteem

De stofzuiger is voorzien van een beveiligingssysteem dat automatisch het uitgangsvermogen onderbreekt voor een langere levensduur.

De stofzuiger kan tijdens het gebruik stoppen wanneer het gereedschap en/of de accu zich in de volgende situatie bevinden. Dit wordt veroorzaakt door de inwerkingtreding van het beveiligingssysteem en duidt niet op een defect van de stofzuiger.

- Bij overbelasting van de stofzuiger:
 - Druk op dit moment op de "OFF"-knop en hef de oorzaak van de overbelasting op, en druk daarna weer op de "HIGH/LOW"-knop om te starten.
- Als de accucellen heet zijn geworden: (raadpleeg onderstaande tabel)
 - Als de "HIGH/LOW"-knop of de "OFF"-knop worden bediend, blijft de motor stilstaan. Als dit het geval is, bedient u de stofzuiger niet meer, verwijdert u de accu vanaf de stofzuiger, en laat u de accu afkoelen of laadt u hem op.
- Als de resterende acculading laag is:
 - Als de "HIGH/LOW"-knop of de "OFF"-knop worden bediend, blijft de motor stilstaan. Als dit het geval is, verwijdert u de accu vanaf de stofzuiger en laadt u hem op.

OPMERKING:

- Deze temperatuursafhankelijke beveiliging is alleen beschikbaar wanneer de stofzuiger is voorzien van een accu waarop het ster-merkteken staat. (Fig. 2)

Werking van de aan/uit-schakelaar (Fig. 3)

Om de stofzuiger te starten, drukt u gewoon op de "HIGH/LOW"-knop. Om de stofzuiger uit te schakelen, drukt u op de "OFF"-knop. Om het toerental van de stofzuiger te veranderen, drukt u op de "HIGH/LOW"-knop. Bij de eerste keer drukken op deze knop wordt het hoge toerental ingeschakeld, en bij de tweede keer drukken wordt het lage toerental ingeschakeld. Bij iedere verdere druk op deze knop wordt de hoog/laag-cyclus beurtelings herhaald.

INEENZETTEN

⚠ LET OP:

- Controleer altijd of de stofzuiger is uitgeschakeld en de accu is verwijderd alvorens enige werkzaamheden aan de stofzuiger te verrichten.
- Alle werkzaamheden aan de stofzuiger terwijl de accu is geplaatst, kan leiden tot persoonlijk letsel of beschadiging van voorwerpen in de buurt van de stofzuiger.

De stofzak aanbrengen (Fig. 4, 5, 6 en 7)

Houd het vierkante gedeelte van de stofzak vast en lijn de pennen binnenin de stofzakaansluiting uit met de inkepingen in de stofuitblaasopening van de stofzuiger, steek ze erin en draai de stofzakaansluiting zo ver mogelijk rechtsonder.

Let er daarbij op dat het uitsteeksel van de stofzak omhoog wijst.

OPMERKING:

- Als de stofzakaansluiting en de ring binnenin de stofzak losraken, bevestigst u deze als volgt:
 - (1) Lijn de stofzakaansluiting uit met de naad van de stofzak en bevestig deze zodanig dat het uitsteeksel omhoog wijst.
 - (2) Draai de ring binnenin de stofzak stevig vast zodat de pennen en de ring zijn geplaatst zoals aangegeven in de afbeelding.

De schouderriem bevestigen (Fig. 8)

Bevestig de haak aan een uiteinde van de schouderriem aan de ring op de voorkant van de stofzuiger en steek het andere uiteinde van de schouderriem door de lus op de stofzak en bevestig daarna de haak aan het andere uiteinde van de schouderriem zoals aangegeven in de afbeelding.

De schouderriem afstellen (Fig. 9)

Om de lengte van de schouderriem af te stellen, trekt u de riem tot de gewenste lengte uit, in de richting van de pijl aangegeven in de afbeelding.

De slang aansluiten (Fig. 10)

⚠ LET OP:

- **Buig de slang niet sterk en ga er niet op staan.** Door de slang sterk te buigen of erop te staan kan de slang vervormd raken of beschadigd worden.
- **Trek niet aan de slang om zo de stofzuiger op te tillen.** Door aan de slang te trekken kan de slang vervormd raken of beschadigd worden.

Steek uiteinde "A" van de slang in de aanzuigopening van de stofzuiger en draai hem zo ver mogelijk rechtsonder. Bevestig de aansluitmond op uiteinde "B" van de slang en sluit hem daarna aan op de stofuitblaasopening van een elektrisch gereedschap.

De aansluitmond vervangen (Fig. 11)

Vervang de aansluitmond van de slang overeenkomstig de grootte van de stofuitblaasopening van het elektrisch gereedschap dat u gebruikt.

Om de aansluitmond te verwijderen, houdt u de slang stevig vast en draait u de aansluitmond linksom.

Om de aansluitmond aan te brengen, draait u de rechtsonder zodat deze op de slang wordt gedraaid tot hij stopt.

BEDIENING

⚠ WAARSCHUWING:

- Gebruik de schouderriem niet tijdens het werken op grote hoogte.
- Als de stofzuiger op één plaats wordt gebruikt, zet u hem op een vlakke en stabiele ondergrond.

Stofzuiger (Fig. 12 en 13)

Als de stofzuiger als draagbare stofzuiger wordt gebruikt, kunt u de schouderriem kruislings over uw borst laten lopen zodat de stofzuiger niet kan vallen.

OPMERKING:

- Afhankelijk van de omstandigheden waaronder wordt gezaagd kan bij het zagen van gipsplaten stukjes rugvel loskomen die in de slang kunnen vastlopen en een verstopping veroorzaken. Als dit gebeurt, stelt u de zaagdiepte van het elektrisch gereedschap lager in waardoor het verstopping in de afzuigslang zal worden opgelost.

⚠ LET OP:

- Als de stofzak net nieuw is, kan stof door het oppervlak heen dringen. Na enkele keren gebruik, zal de hoeveelheid stof die nog door de stofzak heen dringt minimaal zijn.

De stofzuiger bedienen met een mondstuk of stofzak bevestigd

⚠ WAARSCHUWING:

- **Let er altijd op dat de stofzuiger is uitgeschakeld en de accu is verwijderd voordat u het mondstuk of enig ander hulpstuk aanbrengt op of verwijdt van de stofzuiger.** Als u het gereedschap niet uitschakelt en de accu niet verwijdt, kan dat leiden tot ernstig persoonlijk letsel.

OPMERKING:

- Als het gereedschap is gebruikt als stofzuiger en vervolgens gebruikt gaat worden als luchtblazer, verwijdt u eerst al het achtergebleven stof uit de stofzuiger om te voorkomen dat dit eruit geblazen wordt.

Gebruik als luchtblazer (Fig. 14)

Bevestig altijd het mondstuk op de uitblaasopening (lucht).

Om het mondstuk te bevestigen, plaatst u de pen die uit de binnenkant van het mondstuk steekt, in één van de inkepingen in de uitblaasopening van de stofzuiger, en draait u daarna het mondstuk stevig rechtsonder.

Om het mondstuk te verwijderen, draait u het linksom en trekt u het eraf.

Richt het mondstuk en schakel de stofzuiger in.

De stofzak legen

⚠ WAARSCHUWING:

- **Let er altijd op dat zowel de stofzuiger als het aangesloten elektrische gereedschap zijn uitgeschakeld, de accu is verwijderd en de stekker van het netsnoer van het elektrische gereedschap uit het stopcontact is getrokken (in geval van een lichtnet-apparaat) voordat u de stofzak aanbrengt op of verwijdt van de stofzuiger, of de (stoffen) stofzak leegt.** Als het aangesloten elektrische gereedschap niet wordt uitgeschakeld, de accu niet wordt verwijderd of de stekker van het netsnoer niet uit het stopcontact wordt getrokken, kan dat leiden tot elektrische schokken en ernstig persoonlijk letsel.

- Wanneer de stofzak ongeveer halfvol is, haalt u de stofzak van de stofzuiger af en trekt u de sluiting eraf. Gooi de inhoud in de stofzak weg en tik zacht tegen de stofzak zodat ook het stof dat tegen de binnenkant kleeft, en verdere afzuiging kan hinderen, eruit valt.

OPMERKING:

- **Voor een schatting van de tijdsduur totdat de stofzak moet worden geleegd, gebruikt u als richtlijn het boren van 450 gaten met een diameter van 6,5 mm en een diepte van 40 mm in beton.** Een stofzak die verstopt zit met opgehoopte deeltjes kan de zuigkracht van de stofzuiger verlagen en de elektromotor van de stofzuiger beschadigen.

⚠ LET OP:

- **Bevestig vóór gebruik de (stoffen) stofzak aan de stofzakaansluiting en sluit de sluiting helemaal.** Als de stofzak niet stevig wordt bevestigd, of de sluiting niet helemaal wordt gesloten, kan stof uit de stofzak worden geblazen, wat kan leiden tot ernstig persoonlijk letsel.

Pak het vierkante gedeelte van de stofzak stevig vast, draai het linksom en verwijder de stofzak vanaf de stofzuiger. (Fig. 15)

Open de sluiting en verwijder het stof uit de stofzak. (Fig. 16)

⚠ LET OP:

- Verwijder alle deeltjes uit het gebied rondom de sluiting.

ONDERHOUD

⚠ WAARSCHUWING:

- Zorg er altijd voor dat de stofzuiger is uitgeschakeld en de accu is verwijderd, voordat u een inspectie of onderhoud uitvoert.

Het filtergebied schoonmaken (Fig. 17)

⚠ LET OP:

- Zuig geen andere materialen op dan stof, zoals stenen, houtsnippers en dergelijke aangezien deze stofzuiger uitsluitend is bedoeld voor het opzuigen van stof. Het opzuigen van stenen, houtsnippers en dergelijke, kan de ventilator en de stofzuiger beschadigen.

Controleer regelmatig het filtergebied in de aanzuigopening en maak deze schoon. Verwijder vreemde voorwerpen die de luchtdoorstroming hinderen.

Schoonmaken

Veeg regelmatig de buitenkant (behuizing) van de stofzuiger schoon met een in zeepwater bevochtigde doek.

⚠ LET OP:

- Gebruik nooit benzine, wasbenzine, thinner, alcohol en dergelijke. Hierdoor kan verkleuring, vervormingen en barsten worden veroorzaakt.

Om de VEILIGHEID en BETROUWBAARHEID van het product te handhaven, dienen alle reparaties en alle andere onderhoudswerkzaamheden of afstellingen te worden uitgevoerd door een erkend Makita Servicecentrum, en dat uitsluitend met gebruik van Makita vervangingsonderdelen.

OPTIONELE ACCESSOIRES

⚠ LET OP:

- Deze accessoires of hulpstukken worden aanbevolen voor gebruik met de Makita-stofzuiger die in deze gebruiksaanwijzing wordt beschreven. Bij gebruik van andere accessoires of hulpstukken bestaat er gevaar voor persoonlijke verwonding. Gebruik de accessoires of hulpstukken uitsluitend voor hun bestemde doel.

Raadpleeg het dichtstbijzijnde Makita Servicecentrum voor verder advies of bijzonderheden omtrent deze accessoires.

- Mondstukken
- Stofzakken
- Slangen
- Aansluitmonden
- Schouderriem
- Originele Makita accu en acculader

OPMERKING:

- Sommige onderdelen in deze lijst kunnen bij het gereedschap zijn meeverpakt als standaard-accessoires. Deze kunnen van land tot land verschillen.

ENG905-1

Geluidsniveau

De typisch, A-gewogen geluidsniveaus vastgesteld volgens EN60745:

Model DVC340

Geluidsdrukniveau (L_{pA}): 81 dB (A)
 Geluidsvermogeniveau (L_{WA}): 92 dB (A)
 Onnauwkeurigheid (K): 3 dB (A)

Model DVC350

Geluidsdrukniveau (L_{pA}): 84 dB (A)
 Geluidsvermogeniveau (L_{WA}): 95 dB (A)
 Onnauwkeurigheid (K): 3 dB (A)

Draag oorbeschermers

ENG900-1

Trilling

De totaalwaarde van de trillingen (triaxiale vectorsom) vastgesteld volgens EN60745:

Toepassing: onbelast bedrijf
 Trillingsemmissie (a_h): 2,5 m/s² of lager
 Onnauwkeurigheid (K): 1,5 m/s²

ENG901-1

- De opgegeven trillingsemmissiewaarde is gemeten volgens de standaardtestmethode en kan worden gebruikt om dit gereedschap te vergelijken met andere gereedschappen.
- De opgegeven trillingsemmissiewaarde kan ook worden gebruikt voor een beoordeling vooraf van de blootstelling.

⚠ WAARSCHUWING:

- De trillingsemmissie tijdens het gebruik van het elektrisch gereedschap in de praktijk kan verschillen van de opgegeven trillingsemmissiewaarde afhankelijk van de manier waarop het gereedschap wordt gebruikt.
- Zorg ervoor dat veiligheidsmaatregelen worden getroffen ter bescherming van de operator die zijn gebaseerd op een schatting van de blootstelling onder praktijkomstandigheden (rekening houdend met alle fasen van de bedrijfscyclus, zoals de tijdsduur gedurende welke het gereedschap is uitgeschakeld en stationair draait, naast de ingeschakelde tijdsduur).

ADVERTENCIA: Este aparato puede ser utilizado por niños de 8 o más años de edad y personas con capacidades físicas, sensoriales o mentales mermadas, o sin experiencia y conocimiento, si han recibido supervisión o instrucción para el uso del aparato de forma segura y son conscientes del peligro que implica. Los niños no deben jugar con el aparato. La limpieza y mantenimiento que debe hacer el usuario no deben ser realizados por niños sin supervisión.

Explicación de los dibujos

1 Indicador rojo	12 Protuberancia	23 Instalar
2 Botón	13 Anillo	24 Papel decorativo
3 Cartucho de batería	14 Correa de bandolera	25 Disco de sierra
4 Marca de estrella	15 Dos enganches	26 Base
5 Botón HIGH/LOW	16 Sacar	27 Profundidad de corte
6 Botón OFF	17 Para acortar	28 Placa de cartón yeso
7 Salida de polvo	18 Para alargar	29 Salida (conducto de aire)
8 Junta de la bolsa de polvo	19 Herramienta eléctrica	30 Boquilla
9 Pasadores	20 Manguito frontal	31 Pasador
10 Bolsa de polvo	21 Manguera	32 Sección cuadrada
11 Enganche	22 Retirar	33 Área del filtro

ESPECIFICACIONES

Modelo		DVC340	DVC350
Capacidad	Volumen	3,0 L	
	Volumen de aire máximo	3,3 m ³ /min.	3,4 m ³ /min.
Uso continuo (Aprox.)	HIGH	4 min. (con BL1415)	6 min. (con BL1815)
		5 min. (con BL1415N)	7 min. (con BL1815N)
		—	8 min. (con BL1820)
		10 min. (con BL1430)	13 min. (con BL1830)
		13 min. (con BL1440)	18 min. (con BL1840)
		—	21 min. (con BL1850)
	LOW	8 min. (con BL1415)	12 min. (con BL1815)
		10 min. (con BL1415N)	14 min. (con BL1815N)
		—	16 min. (con BL1820)
		20 min. (con BL1430)	26 min. (con BL1830)
		26 min. (con BL1440)	36 min. (con BL1840)
		—	42 min. (con BL1850)
Longitud total		403 mm	
Peso neto		2,1 kg (BL1415/BL1415N)	2,2 kg (BL1815/BL1815N/BL1820)
		2,3 kg (BL1430/BL1440)	2,4 kg (BL1830/BL1840/BL1850)
Tensión nominal		CC 14,4 V	CC 18 V

- Debido a un programa continuo de investigación y desarrollo, las especificaciones aquí dadas están sujetas a cambios sin previo aviso.
- Las especificaciones y el cartucho de batería pueden diferir de país a país.
- Peso, con el cartucho de batería, de acuerdo con el procedimiento EPTA 01/2003

ENE017-1

Uso previsto

La herramienta ha sido prevista para recoger polvo seco.

GEA010-1

Advertencias de seguridad generales para herramientas eléctricas

⚠ ADVERTENCIA Lea todas las advertencias de seguridad y todas las instrucciones. Si no sigue todas las advertencias e instrucciones podrá ocasionar una descarga eléctrica, un incendio y/o heridas graves.

Guarde todas las advertencias e instrucciones para futuras referencias.

ENB117-4

ADVERTENCIAS DE SEGURIDAD PARA LA ASPIRADORA INALÁMBRICA

⚠ ADVERTENCIA IMPORTANTE LEA ATENTAMENTE todas las advertencias de seguridad y todas las instrucciones ANTES DE UTILIZAR. Si no sigue todas las advertencias e instrucciones podrá ocasionar una descarga eléctrica, un incendio y/o heridas graves.

1. Los operarios deberán estar adecuadamente instruidos sobre la utilización de esta aspiradora.
2. Esta aspiradora no es apropiada para recoger polvo peligroso.
3. Esta aspiradora es para utilizar en seco solamente.
4. Esta aspiradora es para utilizar en interiores solamente.
5. Esta aspiradora deberá ser almacenada en interiores solamente.
6. No recoja los materiales siguientes:
 - Materiales calientes tales como cigarrillos encendidos o polvo de chispas/metales generado al cortar/amolar metales
 - Materiales inflamables tales como gasolina, disolvente, bencina, keroseno o pintura
 - Materiales explosivos como nitroglicerina
 - Materiales que puedan prenderse como aluminio, cinc, magnesio, titanio, fósforo o celuloide
 - Suciedad mojada, agua, aceite o similares
 - Piezas duras con bordes cortantes, tales como virutas de madera, metales, piedras, cristales, clavos, alfileres o cuchillas de afeitar
 - Polvo que cuaje tales como cemento o toner
 - Polvo conductivo como metales o carbón
 - Partículas finas como polvo de cemento
 Tales acciones pueden ocasionar un incendio, heridas y/o daños a la propiedad.
7. Detenga inmediatamente la operación si nota algo anormal.
8. No acerque a estufas u otras fuentes de calor.

9. No bloquee el orificio de admisión ni los orificios de ventilación.
10. No deje sola la aspiradora cuando tenga colocada la batería. Retire la batería del aparato cuando no lo esté utilizando y antes de realizar cualquier servicio.
11. No permita que el aparato sea utilizado como juguete. Es necesario prestar mucha atención cuando el aparato es utilizado cerca de niños.
12. Utilice el aparato solamente de la forma descrita en este manual. Utilice solamente acoplamientos recomendados por el fabricante.
13. No ponga ningún objeto dentro de las aberturas. No utilice el aparato con ninguna de sus aberturas bloqueada; manténgalo libre de polvo, hilachas, pelo y cualquier cosa que pueda reducir la circulación del aire.
14. Utilice cuidado especial cuando limpie en escaleras.
15. Cuando utilice la aspiradora como soplador
 - utilice siempre gafas de seguridad, una gorra y máscara durante las tareas;
 - asegúrese siempre de que la aspiradora está apagada y el cartucho de batería retirado antes de despejar una obstrucción;
 - asegúrese siempre de pisar firme en pendientes;
 - camine, nunca corra;
 - no apunte la boquilla a ninguna persona que se encuentre cerca;
 - Mantenga todas las tuercas y tornillos apretados para asegurarse de que la aspiradora se encuentra en condición de trabajo segura;
 - Almacene la aspiradora solamente en un lugar seco;
 - El operario o usuario es el responsable de los accidentes o riesgos ocasionados a otras personas o propiedades de las mismas.

GUARDE ESTAS INSTRUCCIONES PARA POSTERIORES CONSULTAS

⚠ ADVERTENCIA:

NO deje que la comodidad o familiaridad con el producto (a base de utilizarlo repetidamente) sustituya la estricta observancia de las normas de seguridad para el producto en cuestión. El MAL USO o el no seguir las normas de seguridad establecidas en este manual de instrucciones podrá ocasionar graves heridas personales.

Esta aspiradora ha sido prevista para uso doméstico y comercial, por ejemplo, en hoteles, escuelas, hospitales, fábricas, tiendas, oficinas y negocios de alquiler.

ENC007-8

INSTRUCCIONES DE SEGURIDAD IMPORTANTES

PARA EL CARTUCHO DE BATERÍA

1. Antes de utilizar el cartucho de batería, lea todas las instrucciones e indicaciones de precaución sobre (1) el cargador de baterías, (2) la batería, y (3) el producto con el que se utiliza la batería.
2. No desarme el cartucho de batería.

3. Si el tiempo de uso del cartucho de batería se acorta demasiado, deje de usarlo inmediatamente. Podría resultar en un riesgo de recalentamiento, posibles quemaduras e incluso una explosión.
4. Si entra electrólito en sus ojos, aclárelos con agua limpia y vea a un médico inmediatamente. Existe el riesgo de poder perder la vista.
5. No cortocircuite el cartucho de batería:
 - (1) No toque los terminales con ningún material conductor.
 - (2) Evite guardar el cartucho de batería en un cajón junto con otros objetos metálicos, tales como clavos, monedas, etc.
 - (3) No exponga el cartucho de batería al agua ni a la lluvia.

Un cortocircuito en la batería puede producir una gran circulación de corriente, un recalentamiento, posibles quemaduras e incluso una rotura de la misma.
6. No guarde la herramienta ni el cartucho de batería en lugares donde la temperatura pueda alcanzar o exceder los 50°C.
7. Nunca incinere el cartucho de batería incluso en el caso de que esté dañado seriamente o ya no sirva en absoluto. El cartucho de batería puede explotar si se tira al fuego.
8. Tenga cuidado de no dejar caer ni golpear el cartucho de batería.
9. No utilice una batería dañada.
10. Siga los reglamentos locales referentes al desecho de la batería.

GUARDE ESTAS INSTRUCCIONES.

Consejos para alargar al máximo la vida de servicio de la batería

1. Cargue el cartucho de batería antes de que se descargue completamente. Pare siempre la operación y cargue el cartucho de batería cuando note menos potencia en la herramienta.
2. No cargue nunca un cartucho de batería que esté completamente cargado. La sobrecarga acortará la vida de servicio de la batería.
3. Cargue el cartucho de batería a temperatura ambiente de 10°C – 40°C. Si un cartucho de batería está caliente, déjelo enfriar antes de cargarlo.
4. Cargue el cartucho de batería una vez cada seis meses si no lo utiliza durante un periodo de tiempo prolongado.

DESCRIPCIÓN DEL FUNCIONAMIENTO

⚠ PRECAUCIÓN:

- Asegúrese siempre de que la aspiradora está apagada y el cartucho de batería retirado antes de realizar una función de ajuste o comprobación en la aspiradora.

Instalación o desmontaje del cartucho de batería (Fig. 1)

⚠ PRECAUCIÓN:

- Apague siempre la aspiradora antes de instalar o extraer el cartucho de batería.

- Sujete la aspiradora y el cartucho de batería firmemente cuando instale o extraiga el cartucho de batería. Si no sujeta la aspiradora y el cartucho de batería firmemente podrán caérsele de las manos y resultar en daños a la aspiradora y cartucho de batería y heridas personales.

Para retirar el cartucho de batería, deslícelo de la aspiradora a la vez que desliza el botón de la parte frontal del cartucho.

Para instalar el cartucho de batería, alinee la lengüeta del cartucho de batería con la ranura de la carcasa y deslícelo hasta que encaje en su sitio. Insértelo a tope hasta que se bloquee en su sitio produciendo un pequeño chasquido. Si puede ver el indicador rojo en el lado superior del botón, no estará bloqueado completamente.

⚠ PRECAUCIÓN:

- Instale siempre el cartucho de batería completamente hasta que no pueda verse el indicador rojo. En caso contrario, podrá caerse accidentalmente de la aspiradora, ocasionando heridas a usted o a alguien cerca de usted.
- No instale el cartucho de batería empleando fuerza. Si el cartucho no se desliza al interior fácilmente, será porque no está siendo insertado correctamente.

Sistema de protección de la batería

La aspiradora está equipada con el sistema de protección, que corta automáticamente la alimentación para asegurar una larga vida de servicio.

La aspiradora podrá detenerse durante la operación cuando la aspiradora y/o la batería sean puestas en una de las situaciones siguientes. Esto es causado por la activación del sistema de protección y no significa un problema de la aspiradora.

- Cuando la aspiradora esté sobrecargada:
 - En este momento, presione el botón "OFF" y elimine las causas de la sobrecarga y después presione el botón "HIGH/LOW" otra vez para volver a empezar.
- Cuando las celdas de la batería se calientan: (consulte la nota de abajo.)
 - Si realiza cualquier operación del botón "HIGH/LOW" y el botón "OFF", el motor seguirá detenido. En este momento, deje de utilizar la aspiradora y enfríe o cargue el cartucho de batería después de extraerlo de la aspiradora.
- Cuando la capacidad de batería restante sea baja:
 - Si realiza cualquier operación del botón "HIGH/LOW" y el botón "OFF", el motor seguirá detenido. En este momento, extraiga el cartucho de batería de la aspiradora y cárguelo.

NOTA:

- Esta protección sensible a la temperatura se aplica solamente cuando la aspiradora es usada con un cartucho de batería con marca de estrella. (Fig. 2)

Accionamiento del interruptor (Fig. 3)

Para poner en marcha la aspiradora, simplemente presione el botón "HIGH/LOW". Para apagar, presione el botón "OFF". Para cambiar la velocidad de la aspiradora, presione el botón "HIGH/LOW". La primera vez que se presiona este botón es para velocidad alta y la segunda para velocidad baja y después cada vez que se presiona este botón se repite el ciclo de velocidad alta/baja alternativamente.

MONTAJE

⚠ PRECAUCIÓN:

- Asegúrese siempre de que la aspiradora está apagada y el cartucho de batería retirado antes de realizar cualquier tarea en la aspiradora.
- Cualquier tarea con el cartucho de batería instalado en la aspiradora podrá ocasionar una herida personal o daños a los objetos cerca de la aspiradora.

Instalación de la bolsa de polvo (Fig. 4, 5, 6 y 7)

Sujete la sección cuadrada de la junta de la bolsa de polvo y encaje los pasadores de dentro de la junta de la bolsa de polvo en las muescas de la salida de polvo de la aspiradora y después inserte y gire hacia la derecha a tope hasta que se detenga.

Ahora, asegúrese de que la parte del cierre de la bolsa de polvo está orientada hacia arriba.

NOTA:

- Cuando la junta de la bolsa de polvo y el anillo dentro de la bolsa de polvo se separen, instale de la forma siguiente.
 - (1) Alinee la junta de la bolsa de polvo con la costura de la bolsa de polvo e instálela de forma que su protuberancia quede orientada hacia arriba.
 - (2) Apriete el anillo de dentro de la bolsa de polvo firmemente de forma que los pasadores y el anillo estén posicionados como se muestra en la figura.

Instalación de la correa de bandolera (Fig. 8)

Coloque el enganche de uno de los extremos de la correa de bandolera en el anillo de la parte frontal de la aspiradora y pase el otro extremo de la correa a través de la banda de la bolsa de polvo y después coloque el enganche del otro extremo como se muestra en la figura.

Ajuste de la correa de bandolera (Fig. 9)

Para ajustar la longitud de la correa de bandolera, sáquela hasta la longitud deseada y tire de la correa en la dirección de la flecha como se muestra en la figura.

Conexión de la manguera (Fig. 10)

⚠ PRECAUCIÓN:

- **No fuerce la manguera para torcerla y/o aplastarla.** Si fuerza y/o aplasta la manguera podrá ocasionar una deformación o dañar la manguera.
- **No tire de la manguera para transportar la aspiradora.** Si tira de la manguera podrá ocasionar una deformación o dañar la manguera.

Inserte el extremo "A" de la manguera en la abertura de succión de la aspiradora y gírelo hacia la derecha a tope hasta que se bloquee. Coloque el manguito en el extremo "B" de la manguera y después conéctelo a la salida de polvo de una herramienta eléctrica.

Reemplazo del manguito frontal (Fig. 11)

Cambie el manguito frontal de la manguera de acuerdo con el tamaño de la salida de polvo de la herramienta eléctrica que utilice.

Para retirar el manguito frontal, sujete la manguera y gírela hacia la izquierda.

Para montar el manguito frontal, gírelo hacia la derecha y después rósquelo hasta que se detenga.

OPERACIÓN

⚠ ADVERTENCIA:

- No utilice la correa de bandolera cuando trabaje en un lugar elevado.
- Cuando utilice la aspiradora como aspiradora estacionaria, póngala encima de una superficie plana y estable.

Aspiradora (Fig. 12 y 13)

Cuando utilice la aspiradora como aspiradora portátil, sujete la correa de bandolera cruzándola por el pecho será difícil que se caiga la aspiradora.

NOTA:

- Los recortes de papel decorativo largos que se pueden producir en las tareas de corte de una placa de cartón yeso según las condiciones de la pieza de trabajo a cortar y que pueden atascarse dentro de la manguera podrán ocasionar el bloqueo de la succión de la manguera. Cuando ocurra esto, cambie el ajuste de profundidad de corte de la herramienta eléctrica a una mayor profundidad, lo cual reducirá el bloqueo de la succión de la manguera.

⚠ PRECAUCIÓN:

- Cuando la bolsa de polvo sea justamente nueva, el polvo podrá salirse por su superficie. Al utilizarla unas cuantas veces se minimizará la fuga de polvo por la superficie.

Operación de la aspiradora con una boquilla o bolsa de polvo que está siendo instalada

⚠ ADVERTENCIA:

- **Asegúrese siempre de que la aspiradora está apagada y el cartucho de batería retirado antes de instalar o quitar la boquilla o cualquier otro acoplamiento de la aspiradora.** Si no apaga la aspiradora y retira el cartucho de batería podrá resultar en graves heridas personales.

NOTA:

- Antes de la operación en modo de soplador inmediatamente después de la operación en modo de aspiradora, retire todo el polvo restante de la aspiradora para evitar que salga polvo al soplar.

Utilización como soplador (Fig. 14)

Instale la boquilla en la salida (conducto de aire) sin falta. Para instalar la boquilla, encaje el pasador que sobresale del interior de la boquilla en una de las muescas de la aspiradora y después gire la boquilla hacia la derecha firmemente.

Para retirar la boquilla, gírela hacia la izquierda y sáquela.

Dirija el punto superior de la aspiradora y después enciéndala.

Vaciado de la bolsa de polvo

⚠ ADVERTENCIA:

- **Asegúrese siempre de que la aspiradora y la herramienta eléctrica conectada están apagadas y el cartucho de batería está retirado y que la herramienta eléctrica, si tiene cable, está desenchufada antes de instalar o quitar la bolsa de polvo de la aspiradora y vaciar la bolsa de polvo (hecha de tela).** Si no la apaga, retira el cartucho de batería y desenchufa la herramienta eléctrica conectada podrá resultar en una descarga eléctrica y en graves heridas personales.

- Cuando la bolsa de polvo esté medio llena, retírela de la aspiradora y quite el cierre. Vacíe la bolsa de polvo golpeándola ligeramente con objeto de retirar las partículas adheridas en el interior para que no impidan la posterior recogida de polvo.

NOTA:

- **Para el tiempo que puede esperar hasta vaciar la bolsa de polvo, utilice como guía que la bolsa de polvo estará llena cuando taladre unos 450 agujeros de 6,5 mm de diámetro y 40 mm de profundidad en cemento.** Una bolsa de polvo atascada con acumulación de partículas podrá reducir la potencia de recogida de polvo y causar daños al motor de la aspiradora.

⚠ PRECAUCIÓN:

- **Coloque la bolsa de polvo (hecha de tela) en la junta de la bolsa de polvo firmemente y cierre el cierre completamente antes de utilizarla.** Si no coloca la bolsa de polvo firmemente y cierra su cierre completamente podrá ocasionar una salida de polvo y resultar en graves heridas personales.

Agarre la sección cuadrada de la junta de la bolsa de polvo firmemente, gírela hacia la izquierda y después retire la bolsa de polvo. (Fig. 15)

Abra el cierre y vacíe el polvo. (Fig. 16)

⚠ PRECAUCIÓN:

- Retire todas la partículas adheridas al área del cierre.

MANTENIMIENTO

⚠ ADVERTENCIA:

- Asegúrese siempre de que la aspiradora está apagada y el cartucho de batería retirado antes intentar realizar una inspección o mantenimiento.

Limpieza del área del filtro (Fig. 17)

⚠ PRECAUCIÓN:

- No recoja materiales distintos de polvo, tales como piedras, virutas de madera y similares porque esta aspiradora ha sido prevista para recoger polvo. Si recoge piedras, virutas de madera y similares podrá ocasionar daños al ventilador y a la aspiradora.

Compruebe y limpie el área del filtro en la entrada de succión regularmente. Retire los objetos extraños que puedan obstaculizar la succión.

Limpieza

De vez en cuando, limpie el exterior (cuerpo de la aspiradora) de la aspiradora utilizando un paño humedecido en agua jabonosa.

⚠ PRECAUCIÓN:

- No utilice nunca gasolina, bencina, disolvente, alcohol o similares. Podría producir descoloración, deformación o grietas.

Para mantener la SEGURIDAD y FIABILIDAD del producto, las reparaciones, el mantenimiento y los ajustes deberán ser realizados por un Centro de Servicio Autorizado de Makita, siempre con piezas de repuesto de Makita.

ACCESORIOS OPCIONALES

⚠ PRECAUCIÓN:

- Estos accesorios o acoplamientos están recomendados para utilizar con la aspiradora Makita especificada en este manual. El uso de cualquier otro accesorio o aditamento puede suponer un riesgo de lesiones personales. Utilice el accesorio o aditamento exclusivamente para su uso declarado.

Si necesita información más detallada sobre estos accesorios, consulte con su centro local de servicio de Makita.

- Boquillas
- Bolsas de polvo
- Mangueras
- Manguitos frontales
- Correas de bandolera
- Batería y cargador genuinos de Makita

NOTA:

- Algunos elementos de la lista podrán estar incluidos en el paquete de la herramienta como accesorios estándar. Pueden variar de un país a otro.

ENG905-1

Ruido

El nivel de ruido A-ponderado típico determinado de acuerdo con la norma EN60745:

Modelo DVC340

Nivel de presión sonora (L_{pA}): 81 dB (A)

Nivel de potencia sonora (L_{WA}): 92 dB (A)

Incerteza (K): 3 dB (A)

Modelo DVC350

Nivel de presión sonora (L_{pA}): 84 dB (A)

Nivel de potencia sonora (L_{WA}): 95 dB (A)

Incerteza (K): 3 dB (A)

Póngase protectores en los oídos

ENG900-1

Vibración

El valor total de la vibración (suma de vectores triaxiales) determinado de acuerdo con la norma EN60745:

Modo de trabajo: operación sin carga

Emisión de vibración ($a_{h,v}$): 2,5 m/s² o menos

Incerteza (K): 1,5 m/s²

ENG901-1

- El valor de emisión de vibración declarado ha sido medido de acuerdo con el método de prueba estándar y se puede utilizar para comparar una herramienta con otra.
- El valor de emisión de vibración declarado también se puede utilizar en una valoración preliminar de exposición.

⚠ ADVERTENCIA:

- La emisión de vibración durante la utilización real de la herramienta eléctrica puede variar del valor de emisión declarado dependiendo de las formas en las que la herramienta sea utilizada.
- Asegúrese de identificar medidas de seguridad para proteger al operario que estén basadas en una estimación de la exposición en las condiciones reales de utilización (teniendo en cuenta todas las partes del ciclo operativo tal como las veces cuando la herramienta está apagada y cuando está funcionando en vacío además del tiempo de gatillo).

AVISO: Este aparelho pode ser utilizado por crianças com 8 anos e mais de idade e por pessoas com capacidades físicas, sensoriais ou mentais reduzidas ou com falta de experiência e conhecimento, se tiverem recebido supervisão ou instruções relativas à utilização segura do aparelho e conheçam os respetivos perigos. As crianças não devem brincar com o aparelho. A limpeza e manutenção pelo utilizador não devem ser realizadas por crianças sem supervisão.

Explicação geral

1	Indicador vermelho	12	Saliência	23	Instalar
2	Botão	13	Anel	24	Papel decorativo
3	Bateria	14	Correia de ombro	25	Lâmina da serra
4	Marca de estrela	15	Dois ganchos	26	Base
5	Botão HIGH/LOW	16	Puxar para fora	27	Profundidade do corte
6	Botão OFF	17	Para encurtar	28	Gesso em folha com papel
7	Saída do pó	18	Para estender	29	Saída (saída de ar)
8	Junta do saco do pó	19	Ferramenta eléctrica	30	Bocal
9	Pinos	20	Manga frontal	31	Pino
10	Saco do pó	21	Mangueira	32	Parte quadrada
11	Gancho	22	Retirar	33	Área do filtro

ESPECIFICAÇÕES

Modelo		DVC340	DVC350
Capacidade	Volume	3,0 L	
	Volume máx. de ar	3,3 m ³ /min.	3,4 m ³ /min.
Utilização contínua (Aprox.)	HIGH	4 min. (com o BL1415)	6 min. (com o BL1815)
		5 min. (com o BL1415N)	7 min. (com o BL1815N)
		—	8 min. (com o BL1820)
		10 min. (com o BL1430)	13 min. (com o BL1830)
		13 min. (com o BL1440)	18 min. (com o BL1840)
		—	21 min. (com o BL1850)
	LOW	8 min. (com o BL1415)	12 min. (com o BL1815)
		10 min. (com o BL1415N)	14 min. (com o BL1815N)
		—	16 min. (com o BL1820)
		20 min. (com o BL1430)	26 min. (com o BL1830)
		26 min. (com o BL1440)	36 min. (com o BL1840)
		—	42 min. (com o BL1850)
Comprimento total		403 mm	
Peso líquido		2,1 kg (BL1415/BL1415N)	2,2 kg (BL1815/BL1815N/BL1820)
		2,3 kg (BL1430/BL1440)	2,4 kg (BL1830/BL1840/BL1850)
Voltagem nominal		14,4 V CC	18 V CC

- Devido a um programa contínuo de pesquisa e desenvolvimento, estas especificações podem ser alteradas sem aviso prévio.
- As especificações e a bateria podem diferir de país para país.
- Peso, com a bateria, de acordo com o Procedimento 01/2003 da EPTA (European Power Tool Association)

Utilização a que se destina

Este aspirador serve para colectar pó seco.

Avisos gerais de segurança para ferramentas eléctricas

⚠️ AVISO Leia todas os avisos de segurança e todas as instruções. O não cumprimento de todos os avisos e instruções pode originar choque eléctrico, incêndio e/ou ferimentos graves.

Guarde todos os avisos e instruções para futuras referências.

AVISOS DE SEGURANÇA PARA O ASPIRADOR DE PÓ A BATERIA

⚠️ AVISO! IMPORTANTE LEIA CUIDADOSAMENTE todos os avisos de segurança e todas as instruções ANTES DE UTILIZAR. O não cumprimento de todos os avisos e instruções pode originar choque eléctrico, incêndio e/ou ferimentos graves.

- Os operadores devem ser adequadamente treinados para a utilização deste aspirador de pó.
- Este aspirador não é apropriado para colectar pó perigoso.
- Este aspirador é apenas para utilização a seco.
- Este aspirador é apenas para utilização em recintos interiores.
- Este aspirador só deve ser guardado no interior.
- Não aspire os seguintes artigos:
 - Artigos quentes, tais como cigarros acesos ou faíscas/pó de metal produzidos ao esmerilar/cortar metal
 - Materiais inflamáveis, tais como gasolina, diluentes, benzeno, querosene ou tinta
 - Materiais explosivos como nitroglicerina
 - Materiais ignescente, tais como alumínio, zinco, magnésio, titânio, fósforo ou celulóide
 - Sujidade húmida, água, óleo, etc.
 - Artigos rígidos com arestas cortantes, tais como aparas de madeira, metais, pedras, vidros, pregos, pinos ou lâminas de barbear
 - Pó para solidificar, como cimento ou toner
 - Pó condutor, tal como metal ou carbono
 - Partículas finas como pó de betão
 Isso pode causar incêndios, ferimentos e/ou danos à propriedade.
- Desligue o aspirador imediatamente se notar qualquer funcionamento anormal.
- Não aproxime de fogões nem de outras fontes de calor.
- Não bloqueie os orifícios de entrada e saída de ar.
- Não deixe a bateria instalada no aspirador. Retire a bateria do aparelho quando não estiver a utilizar e antes de fazer manutenção.
- Não permita que seja utilizado como brinquedo. Tenha cuidado especialmente quando utilizado por crianças ou próximo delas.
- Utilize-o somente de acordo com as instruções deste manual. Utilize somente os acessórios recomendados pelo fabricante.

- Não coloque nenhum objecto nas aberturas. Não utilize com qualquer abertura bloqueada; mantenha sempre limpo, sem poeira, pêlos, cabelos ou qualquer outra coisa que possa reduzir o fluxo de ar.
- Tenha cuidado especialmente ao limpar escadas.
- Ao utilizar o aspirador como um soprador
 - sempre utilize óculos de protecção, chapéu e máscara durante o funcionamento;
 - assegure-se sempre de que o aspirador esteja desligado e a bateria retirada antes de desobstruir um bloqueio;
 - procure sempre uma posição segura e firme ao trabalhar em declives;
 - ande, nunca corra;
 - nunca dirija o bocal a ninguém nas proximidades;
 - Mantenha todas as porcas, pernos e parafusos bem apertados para garantir que o aspirador esteja em condições seguras de trabalho;
 - Armazene o aspirador somente em um lugar seco;
 - O operador ou utilizador é responsável por riscos ou acidentes que possam ferir outras pessoas ou danificar propriedade alheia.

MANTENHA PARA FUTURAS REFERÊNCIAS**⚠️ AVISO:**

NÃO permita que conforto ou familiaridade com o produto (adquirido com o uso repetido) substitua a aderência estrita às regras de segurança da ferramenta. **MÁ INTERPRETAÇÃO** ou não seguimento das regras de segurança estabelecidas neste manual de instruções pode causar danos pessoais sérios.

Este aspirador foi concebido para utilização doméstica e comercial, como por exemplo, em hotéis, escolas, hospitais, fábricas, lojas, escritórios e negócios de aluguer.

IMPORTANTES INSTRUÇÕES DE SEGURANÇA**PARA A BATERIA**

- Antes de utilizar a bateria, leia todas as instruções e etiquetas de precaução no (1) carregador de bateria (2) bateria e (3) produto que utiliza a bateria.
- Não abra a bateria.
- Se o tempo de funcionamento se tornar excessivamente curto, pare o funcionamento imediatamente. Pode resultar em sobreaquecimento, possíveis queimaduras e mesmo explosão.
- Se entrar electrólito nos seus olhos, lave-os com água e consulte imediatamente um médico. Pode resultar em perda de visão.
- Não corte-circuite a bateria:
 - Não toque nos terminais com qualquer material condutor.
 - Evite guardar a bateria juntamente com outros objectos metálicos tais como pregos, moedas, etc.
 - Não exponha a bateria à água ou chuva. Um curto-circuito pode ocasionar um enorme fluxo de corrente, sobreaquecimento, possíveis queimaduras e mesmo estragar-se.

6. Não guarde a ferramenta e a bateria em locais onde a temperatura pode atingir ou exceder 50°C.
7. Não queime a bateria mesmo que esteja estragada ou completamente gasta. A bateria pode explodir no fogo.
8. Tenha cuidado para não deixar cair ou dar pancadas na bateria.
9. Não utilize uma bateria danificada.
10. Siga os seus regulamentos locais relativos à eliminação da bateria.

GUARDE ESTAS INSTRUÇÕES.

Conselhos para manter a máxima vida útil da bateria

1. Carregue a bateria antes que esteja completamente descarregada.
Pare sempre o funcionamento da ferramenta e carregue a bateria quando notar menos poder na ferramenta.
2. Nunca carregue uma bateria completamente carregada. Carregamento excessivo diminui a vida útil da bateria.
3. Carregue a bateria à temperatura ambiente de 10°C – 40°C. Deixe que uma bateria quente arrefeça antes de a carregar.
4. Carregue a bateria uma vez a cada seis meses se não for utilizá-la por um longo período de tempo.

DESCRIÇÃO FUNCIONAL

⚠️ PRECAUÇÃO:

- Certifique-se sempre de que o aspirador esteja desligado e a bateria retirada antes de regular ou verificar o seu funcionamento.

Instalação ou remoção da bateria (Fig. 1)

⚠️ PRECAUÇÃO:

- Desligue sempre o aspirador antes de instalar ou retirar a bateria.
- **Segure firmemente no aspirador e na bateria quando instalar ou remover a bateria.** Se não segurar firmemente no aspirador e na bateria pode fazer com que escorreguem das suas mãos e daí resultar em danos para o aspirador e para a bateria e ferimento pessoal.

Para retirar a bateria, deslize-a do aspirador enquanto desliza o botão na frente da bateria.

Para instalar o cartucho da bateria, alinhe a lingueta no cartucho da bateria com o entalhe na caixa e deslize-o para o lugar. Insira-o por completo até bloquear no lugar com um pequeno estalido. Se conseguir ver o indicador vermelho no lado superior do botão, não está bloqueado completamente.

⚠️ PRECAUÇÃO:

- Instale sempre o cartucho da bateria por completo até o indicador vermelho não ser visto. Caso contrário, pode cair do aspirador acidentalmente, provocando ferimentos no operador ou em alguém próximo.
- Não instale o cartucho da bateria fazendo força. Se o cartucho não deslizar facilmente, não está a ser inserido correctamente.

Sistema de protecção da bateria

O aspirador é equipado com um sistema de protecção que desactiva o consumo de energia automaticamente a fim de prolongar a sua vida útil.

O aspirador pode parar durante o funcionamento se a mesmo e/ou a bateria se encontrar nas seguintes circunstâncias: Isso é devido à activação do sistema de protecção e não é sinal de avaria no aspirador.

- Se ocorrer a sobrecarga do aspirador:

Prima o botão “OFF” para eliminar a causa da sobrecarga e depois prima o botão “HIGH/LOW” outra vez para reiniciar.

- Se a bateria esquentar: (consulte a nota abaixo.)

O motor permanecerá parado se tentar qualquer operação com os botões “HIGH/LOW” e “OFF”. Pare de utilizar o aspirador e aguarde até arrefecer ou recarregue a bateria depois de retirá-la do aspirador.

- Se a carga restante da bateria estiver baixa:

O motor permanecerá parado se tentar qualquer operação com os botões “HIGH/LOW” e “OFF”. Retire a bateria do aspirador e recarregue-a.

NOTA:

- Esta protecção térmica só funciona quando o aspirador for utilizado com uma bateria com a marca de estrela.

(Fig. 2)

Ação do interruptor (Fig. 3)

Para ligar o aspirador, simplesmente prima o botão “HIGH/LOW”. Para desligar, prima o botão “OFF”. Para alterar a velocidade do aspirador, prima o botão “HIGH/LOW”. A velocidade aumenta ao premir este botão pela primeira vez e diminui ao premir pela segunda vez; a partir de então, cada vez que preme o botão, o ciclo de velocidade alta/baixa é repetido alternadamente.

MONTAGEM

⚠️ PRECAUÇÃO:

- Certifique-se sempre de que o aspirador esteja desligado e a bateria retirada antes de executar qualquer serviço de manutenção no mesmo.
- Realizar qualquer serviço de manutenção com a bateria instalada no aspirador pode provocar ferimentos pessoais ou danificar objectos próximos do aspirador.

Instalação do saco do pó (Fig. 4, 5, 6 e 7)

Agarre a parte quadrada da junta do saco do pó e encaixe os pinos da parte interna nos entalhes da saída de pó do aspirador e, então, introduza e rode-o no sentido dos ponteiros do relógio completamente até o fim. Certifique-se de que a parte do fecho do saco do pó esteja virada para cima.

NOTA:

- Se a junta do saco do pó e o anel interior do saco do pó saírem, instale como a seguir.

(1) Alinhe a junta com a costura do saco do pó e instale-a de forma que a saliência fique virada para cima.

(2) Aperte com firmeza o anel dentro do saco do pó de maneira que os pinos e o anel fiquem posicionados como ilustrado.

Instalação da correia de ombro (Fig. 8)

Prenda o gancho de uma ponta da correia de ombro no anel na frente do aspirador, passe a outra ponta da correia através da banda do saco do pó e prenda o outro gancho como ilustrado.

Ajuste da correia de ombro (Fig. 9)

Para ajustar o comprimento da correia de ombro, puxe-a no comprimento desejado e depois puxe-a na direcção da seta como ilustrado.

Conectar a mangueira (Fig. 10)

⚠️ PRECAUÇÃO:

- **Não force a mangueira para a entortar nem pise na mesma.** Forçar e/ou pisar na mangueira pode deformá-la ou danificá-la.
- **Não puxe pela mangueira para carregar o aspirador.** Puxar pela mangueira pode deformá-la ou danificá-la.

Introduza a ponta "A" da mangueira na abertura de sucção do aspirador e rode-a no sentido dos ponteiros do relógio até que fique bloqueada. Afixe a manga na ponta "B" da mangueira e conecte à saída de pó do aspirador.

Substituição da manga frontal (Fig. 11)

Substitua a manga frontal da mangueira segundo o tamanho da saída de pó da ferramenta que está a utilizar.

Para retirar a manga frontal, agarre a mangueira e rode-a no sentido contrário aos ponteiros do relógio.

Para montar a manga frontal, rode-a no sentido dos ponteiros do relógio e enrosque-a até o fim.

OPERAÇÃO

⚠️ AVISO:

- Não utilize a correia de ombro quando está a trabalhar em locais altos.
- Para utilizar o aparelho como um aspirador estacionário, coloque-o sobre uma superfície plana e estável.

Aspirador de pó (Fig. 12 e 13)

Ao utilizar o aparelho como um aspirador portátil, será mais fácil manter o aspirador seguro se cruzar a correia de ombro sobre o peito.

NOTA:

- Pedações longos de papel decorativo produzidos ao cortar gesso em folha com papel, devido às condições da peça de trabalho a ser cortada, podem ficar atascados dentro da mangueira e provocar o bloqueio da sucção. Se este for o caso, altere o ajuste aumentando a profundidade de corte da ferramenta, o que libertará o bloqueio da mangueira de sucção.

⚠️ PRECAUÇÃO:

- O pó pode sair pela superfície do saco quando este ainda está novo. A fuga de pó através da superfície diminui depois de utilizá-lo algumas vezes.

Funcionamento do aspirador com o bocal e saco do pó instalados

⚠️ AVISO:

- **Certifique-se sempre de que o aspirador esteja desligado e a bateria retirada antes de instalar ou retirar o bocal ou qualquer outro acessório do aspirador.** Falha em desligar o aspirador e retirar a bateria pode resultar em ferimentos pessoais graves.

NOTA:

- Antes de funcionar no modo de soprador imediatamente depois de funcionar no modo de aspirador, limpe toda a poeira restante do aspirador para evitar que seja assoprada.

Utilização como soprador (Fig. 14)

Instale o bocal na saída de ar sem falta.

Para instalar o bocal, encaixe o pino saliente dentro do bocal em um dos entalhes do aspirador e rode o bocal para a direita com firmeza.

Para retirar o bocal, rode-o para a esquerda e puxe para fora.

Direccione a ponta do aspirador e ligue-o.

Esvaziar o saco do pó

⚠️ AVISO:

- **Certifique-se sempre de que ambos o aspirador e a ferramenta estejam desligados e a bateria retirada e que a ferramenta, se for eléctrica, esteja desligada da tomada antes de instalar ou retirar o saco do pó do aspirador e antes de esvaziá-lo (saco de pano).** Falha em desligar, retirar a bateria e desligar a ferramenta da tomada pode provocar choque eléctrico e ferimentos pessoais graves.
- Quando o saco do pó estiver metade cheio, tire-o do aspirador e abra o fecho. Esvazie o saco do pó, batendo-o ligeiramente para desalojar as partículas aderidas no interior, as quais podem dificultar a sucção.

NOTA:

- **No que diz respeito a quando esvaziar o saco do pó, lembre-se que o saco fica cheio após perfurar cerca de 450 furos de 6,5 mm de diâmetro e 40 mm de profundidade em betão.** Um saco do pó obstruído por acúmulo de partículas pode reduzir a capacidade de sucção de pó e danificar o motor do aspirador.

⚠️ PRECAUÇÃO:

- **Instale o saco do pó (de pano) firmemente na junta do saco do pó e feche completamente o fecho antes de utilizar.** Falha em instalar correctamente o saco do pó e fechar bem o fecho pode provocar a saída repentina de pó e resultar em ferimentos pessoais graves.

Agarre com firmeza a parte quadrada da junta do saco do pó, rode-a no sentido contrário aos ponteiros do relógio e retire o saco do pó. (Fig. 15)

Abra o fecho e deite fora o pó. (Fig. 16)

⚠️ PRECAUÇÃO:

- Limpe bem as partículas que se aderem à área do fecho.

MANUTENÇÃO

⚠️ AVISO:

- Certifique-se sempre de que o aspirador esteja desligado e a bateria retirada antes de executar qualquer inspeção ou manutenção.

Limpeza da área do filtro (Fig. 17)

⚠️ PRECAUÇÃO:

- Não efectue a aspiração de nada além de pó, tal como pedra, pedaços de madeira, etc. pois este aspirador foi concebido para a aspiração de pó. Aspirar pedra, pedaços de madeira ou objectos semelhantes pode danificar a ventoinha e o aspirador.

Verifique e limpe periodicamente a área do filtro no bocal de sucção. Retire quaisquer objectos estranhos que possam obstruir a sucção.

Limpeza

Limpe periodicamente o exterior do aspirador (armação) com um pano humedecido em água e sabão.

⚠️ PRECAUÇÃO:

- Nunca utilize gasolina, benzina, diluente, álcool ou produtos semelhantes. Pode ocorrer a descoloração, deformação ou rachaduras.

Para manter a SEGURANÇA e FIABILIDADE, as reparações e outras acções de manutenção ou ajustes devem ser executados pelos Centros de assistência autorizados da Makita, utilizando sempre peças de substituição Makita.

ACESSÓRIOS OPCIONAIS

⚠️ PRECAUÇÃO:

- Estes acessórios ou peças são recomendados para utilização com a ferramenta Makita especificada neste manual. A utilização de outros acessórios ou peças pode ser perigosa para as pessoas. Utilize apenas acessórios ou peças para os fins indicados.

Se precisar de ajuda para obter mais informações relativas a estes acessórios, entre em contacto com o centro de assistência Makita local.

- Bocais
- Sacos do pó
- Mangueiras
- Mangas frontais
- Correas de ombro
- Bateria e carregador genuínos da Makita

NOTA:

- Alguns itens da lista podem estar incluídos na embalagem da ferramenta como acessórios padrão. Eles podem variar de país para país.

ENG905-1

Ruído

A característica do nível de ruído A determinado de acordo com EN60745:

Modelo DVC340

Nível de pressão de som (L_{pA}): 81 dB (A)

Nível do som (L_{WA}): 92 dB (A)

Variabilidade (K): 3 dB (A)

Modelo DVC350

Nível de pressão de som (L_{pA}): 84 dB (A)

Nível do som (L_{WA}): 95 dB (A)

Variabilidade (K): 3 dB (A)

Utilize protectores para os ouvidos

ENG900-1

Vibração

O valor total da vibração (soma vectorial tri-axial) determinado de acordo com EN60745:

Modo de trabalho: operação em vazio

Emissão de vibração (a_{11}): 2,5 m/s² ou inferior

Variabilidade (K): 1,5 m/s²

ENG901-1

- O valor da emissão de vibração indicado foi medido de acordo com o método de teste padrão e pode ser utilizado para comparar duas ferramentas.
- O valor da emissão de vibração indicado pode também ser utilizado na avaliação preliminar da exposição.

⚠️ AVISO:

- A emissão de vibração durante a utilização real da ferramenta eléctrica pode diferir do valor de emissão indicado, dependendo das formas como a ferramenta é utilizada.
- Certifique-se de identificar as medidas de segurança para protecção do operador que sejam baseadas em uma estimativa de exposição em condições reais de utilização (considerando todas as partes do ciclo de operação, tal como quando a ferramenta está desligada e quando está a funcionar em marcha lenta além do tempo de accionamento).

ADVARSEL: Denne maskine kan bruges af børn på 8 år og derover og af personer med nedsatte fysiske, sensoriske eller mentale evner eller manglende erfaring eller viden, hvis de er under opsyn eller har modtaget instruktion i sikker anvendelse af maskinen og forstår de farer, der er involveret. Børn må ikke lege med maskinen. Rengøring og brugervedligeholdelse må ikke udføres af børn, der ikke er under opsyn.

Illustrationsoversigt

1 Rød indikator	12 Flemspring	23 Montér
2 Knap	13 Ring	24 Dekorationspapir
3 Akku	14 Skulderrem	25 Savklinge
4 Stjernemærke	15 To kroge	26 Base
5 Høj/lav-knap (HIGH/LOW)	16 Træk ud	27 Snitdybde
6 Afbryderknap (OFF)	17 Til afkortning	28 Gipsplade
7 Støvudledning	18 Til forlængelse	29 Udledning (luftåbning)
8 Støvsøbeledning	19 El-værktøj	30 Mundstykke
9 Tapper	20 Frontkrave	31 Tap
10 Støvsøbe	21 Slange	32 Firkantet del
11 Krog	22 Fjern	33 Filterområde

SPECIFIKATIONER

Model		DVC340	DVC350
Kapacitet	Mængde	3,0 L	
	Maks. luftmængde	3,3 m ³ /min.	3,4 m ³ /min.
Uafbrudt anvendelse (Ca.)	HØJ (HIGH)	4 min. (med BL1415)	6 min. (med BL1815)
		5 min. (med BL1415N)	7 min. (med BL1815N)
		—	8 min. (med BL1820)
		10 min. (med BL1430)	13 min. (med BL1830)
		13 min. (med BL1440)	18 min. (med BL1840)
		—	21 min. (med BL1850)
	LAV (LOW)	8 min. (med BL1415)	12 min. (med BL1815)
		10 min. (med BL1415N)	14 min. (med BL1815N)
		—	16 min. (med BL1820)
		20 min. (med BL1430)	26 min. (med BL1830)
		26 min. (med BL1440)	36 min. (med BL1840)
		—	42 min. (med BL1850)
Længde		403 mm	
Vægt		2,1 kg (BL1415/BL1415N)	2,2 kg (BL1815/BL1815N/BL1820)
		2,3 kg (BL1430/BL1440)	2,4 kg (BL1830/BL1840/BL1850)
Mærkespænding		DC 14,4 V	DC 18 V

- På grund af vores kontinuerlige forskningsprogrammer og udvikling, kan hosstående specifikationer blive ændret uden varsel.
- Specifikationer og akku kan variere fra land til land.
- Vægt inklusive akku, i henhold til EPTA-Procedure 01/2003

Tilsigtet anvendelse

Denne maskine er beregnet til opugning af tørt støv.

Almindelige sikkerhedsregler for el-værktøj

⚠ ADVARSEL Læs alle sikkerhedsadvarsler og alle sikkerhedsinstruktioner. Hvis nedenstående advarsler og instruktioner ikke overholdes, kan resultatet blive elektrisk stød, brand og/eller alvorlig personskade.

Gem alle advarsler og instruktioner til fremtidig reference.

SIKERHEDSFORSKRIFTER FOR AKKU-STØVSUGER

⚠ ADVARSEL! VIGTIGT LÆS OMHYGGELIGT alle sikkerhedsadvarsler og alle instruktioner INDEN BRUGEN. Hvis nedenstående advarsler og instruktioner ikke overholdes, kan resultatet blive elektrisk stød, brand og/eller alvorlig personskade.

1. Brugeren skal have modtaget fyldestgørende instruktioner i brugen af denne støvsuger.
2. Denne støvsuger er ikke egnet til at opsuge farligt støv.
3. Denne støvsuger er kun til tør anvendelse.
4. Denne støvsuger er kun til brug inden døre.
5. Denne støvsuger må kun opbevares inden døre.
6. Sug ikke de følgende materialer op:
 - Varme materialer såsom tændte cigaretter eller gnist/metalstøv, som er frembragt ved slibning/skæring af metal.
 - Brændbare materialer såsom benzin, fortynder, rensed benzin, petroleum og maling.
 - Eksplosive materialer såsom nitroglycerin.
 - Antændelige materialer såsom aluminium, zink, fosfor og celluloid.
 - Vådt snavs, vand, olie og lignende.
 - Hårde objekter med skarpe kanter såsom træspåner, metal, sten, glas, søm, knappe-nåle og barberblade.
 - Pulver, der kan tilstoppe, såsom cement og toner.
 - Ledende støv såsom metal eller carbon.
 - Fine partikler såsom betonstøv. Dette kan resultere i brand, tilskadekomst og/eller materiel skade.
7. Hold straks op med at bruge støvsugeren, hvis De bemærker noget unormalt.
8. Anvend ikke støvsugeren tæt på ovne og andre varmekilder.
9. Blokér ikke indsuigningshullet eller ventilationshullerne.
10. Efterlad ikke støvsugeren med akkuen monteret. Fjern akkuen fra støvsugeren, når den ikke skal anvendes og inden servicering.
11. Tillad ikke, at støvsugeren anvendes som legetøj. Årvågenhed er påkrævet, hvis støvsugeren anvendes af eller nær børn.
12. Må kun anvendes som beskrevet i denne brugsvejledning. Anvend kun ekstraudstyr, som anbefales af fabrikanten.

13. Stik ikke nogen genstande ind i åbningerne. Anvend ikke støvsugeren med blokerede åbninger. Hold støvsugeren fri for støv, frug, hår og alt hvad der kan svække luftstrømmen.
14. Vær særlig forsigtig ved støvsugning på trapper.
15. Når støvsugeren anvendes som blæser
 - Anvend altid beskyttelsesbriller, kasket og maske under anvendelsen.
 - Vær altid sikker på, at støvsugeren er afbrudt og at akkuen er fjernet, inden blokerende materiale fjernes.
 - Sørg altid for et godt fodfæste på skråninger.
 - Gå, løb aldrig.
 - Ret aldrig mundstykket mod nogen i nærheden.
 - Hold alle møtrikker, bolte og skruer stramme for at sikre Dem, at støvsugeren er i bedst mulig arbejdstilstand.
 - Opbevar støvsugeren på et tørt sted.
 - Operatøren eller brugeren er ansvarlig for ulykker eller fare, som andre personer kan blive udsat for.

OPBEVAR TIL FREMTIDIG KONSULTATION**⚠ ADVARSEL:**

LAD IKKE bekvemmelighed eller kendskab til produktet (opnået gennem gentagen brug) forhindre, at sikkerhedsforskrifterne for produktet nøje overholdes. MISBRUG eller forsømmelse af at følge de i denne brugsvejledning givne sikkerhedsforskrifter kan føre til, at De kommer alvorligt til skade.

Denne støvsuger er beregnet til både hjemmebrug og kommerciel brug, for eksempel i hoteller, skoler, hospitaler, fabrikker, butikker, kontorer og udlejningslokaler.

VIGTIGE SIKKERHEDSFORSKRIFTER**FOR AKKU**

1. Læs alle instruktioner og advarselsmærkater på (1) akku opladeren, (2) akku og (3) produktet, som anvender akku.
2. Lad være med at skille akkuen ad.
3. Hold straks op med at anvende opladeren, hvis brugstiden er blevet stærkt afkortet. Fortsat anvendelse kan resultere i risiko for overophedning, forbrændinger og endog eksplosion.
4. Hvis du har fået elektrolytvæske i øjnene, skal du straks skylle den ud med rent vand og derefter øjeblikkeligt søge lægehjælp. I modsat fald kan resultatet blive, at du mister synet.
5. Vær påpasselig med ikke at komme til at kortslutte akkuen:
 - (1) Rør ikke ved terminalerne med noget ledende materiale.
 - (2) Undgå at opbevare akkuen i en beholder sammen med andre genstande af metal, som for eksempel søm, mønter og lignende.
 - (3) Udsæt ikke akkuen for vand eller regn. Kortslutning af akkuen kan være årsag til en kraftig øgning af strømmen, overophedning, mulige forbrændinger og endog maskinstop.
6. Opbevar ikke maskinen og akkuen på et sted, hvor temperaturen kan nå eller overstige 50°C.

7. Lad være med at brænde akkuen, selv ikke i tilfælde, hvor det har lidt alvorlig skade eller er fuldstændigt udtjent. Akkuen kan eksplodere, hvis man forsøger at brænde den.
8. Lad være med at brænde akkuen eller udsætte den for stød.
9. Anvend ikke en beskadiget akku.
10. Følg de lokale regler angående bortskaffelse af akkuer.

GEM DISSE FORSKRIFTER.

Tips til opnåelse af maksimal akku-levetid

1. Oplad altid akkuen, inden den er helt afladet. Stop altid maskinen og oplad akkuen, hvis det bemærkes, at maskineffekten er dalende.
2. Genoplad aldrig en fuldt opladet akku. Overopladning vil afkorte akkuets levetid.
3. Oplad akkuen ved stuetemperatur ved 10°C – 40°C. Lad altid en varm akku få tid til at køle af, inden den oplades.
4. Oplad akkuen en gang hver sjette måned, hvis den ikke anvendes i et længere tidsrum.

FUNKTIONSBESKRIVELSE

⚠ FORSIGTIG:

- Sørg altid for, at støvsugeren er afbrudt og at akkuen er fjernet, inden De justerer eller tjekker funktioner på støvsugeren.

Installation eller fjernelse af akku (Fig. 1)

⚠ FORSIGTIG:

- Sluk altid for støvsugeren, inden De installerer eller fjerner akkuen.
- Hold godt fast i støvsugeren og akkuen, når akkuen installeres eller fjernes. Forsømmelse af at holde godt fast i støvsugeren og akkuen, kan bevirke, at disse glider ud af hænderne på Dem, hvilket kan resultere i beskadigelse af støvsugeren og akkuen samt tilskadekomst.

For at fjerne akkuen, skal man skyde den fra støvsugeren, idet man skyder knappen på forsiden af akkuen i stilning.

For at installere akkuen, skal man sætte tungen på akkuen ud for rillen i huset og skyde den på plads. Sæt den hele vejen ind, så den låses på plads med et lille klik. Hvis den røde indikator på oversiden af knappen er synlig, betyder det, at den ikke er helt låst.

⚠ FORSIGTIG:

- Sæt altid akkuen helt ind, så den røde indikator ikke kan ses. Hvis den ikke er sat helt ind, kan den ved et uheld falde ud af støvsugeren, hvorved omkringstående eller De selv kan komme til skade.
- Sæt ikke akkuen i med magt. Hvis akkuen ikke glider nemt på plads, betyder det, at den ikke sættes korrekt i.

Akku-beskyttelsessystem

Støvsugeren er udstyret med et beskyttelsessystem, som automatisk afbryder udgangsstrømmen med det formål at forlænge levetiden.

Støvsugeren kan stoppe under anvendelsen, hvis den og/eller akkuen er i den følgende situation. Dette er forårsaget af aktivering af beskyttelsessystemet og er ikke tegn på problemer med støvsugeren.

- Hvis støvsugeren er overbelastet: Tryk på dette tidspunkt på "OFF"-knappen og fjern årsagerne til overbelastningen og tryk derefter på "HIGH/LOW"-knappen for at starte igen.
- Hvis battericellerne bliver varme: (se bemærkningen herunder). Hvis "OFF"-knappen og "HIGH/LOW"-knappen betjenes, vil motoren forblive stoppet. Hold på dette tidspunkt op med at anvende støvsugeren og afkøl eller oplad akkuen, efter at den er taget ud af støvsugeren.
- Når den tilbageværende batterikapacitet er blevet lav: Hvis "OFF"-knappen og "HIGH/LOW"-knappen betjenes, vil motoren forblive stoppet. Tag på dette tidspunkt akkuen ud af støvsugeren og rengør den.

BEMÆRK:

- Denne temperaturfølsomme beskyttelse aktiveres kun, når støvsugeren anvendes med en akku med et stjernemærke. (Fig. 2)

Anvendelse af kontakten (Fig. 3)

For at starte støvsugeren, behøver man blot at trykke på "HIGH/LOW"-knappen. For at afbryde, trykkes på "OFF"-knappen. For at ændre støvsugerens hastighed, trykkes der på knappen "HIGH/LOW". Det første tryk på denne knap er for høj hastighed og det andet tryk for lav hastighed, og hvert efterfølgende tryk på denne knap gentager høj/lav hastighedscyklen skiftevis.

SAMLING

⚠ FORSIGTIG:

- Sørg altid for, at støvsugeren er afbrudt og at akkuen er fjernet, inden der udføres noget arbejde på støvsugeren.
- Hvis der udføres arbejde mens akkuen er installeret i støvsugeren, kan resultatet blive personskade og/eller skade på ting i nærheden af støvsugeren.

Montering af støvpose (Fig. 4, 5, 6 og 7)

Tag fat i den firkantede del af støvposens kobling og sæt tapperne inden i støvposens kobling på hakkerne i støvudledningen på støvsugeren, og drej den hele vejen mod uret, indtil den stopper.

Sørg på dette tidspunkt for, at fastgørelsesdelen på støvposen vender opad.

BEMÆRK:

- Installer som følger, hvis støvposens kobling og ringen inden i støvposen går af.
 - (1) Sæt støvposens kobling ud for sømmen på støvposen og installer den således, at dens fremspring vender opad.
 - (2) Stram ringen inden i støvposen godt til, således at tapperne og ringen er placeret som vist på illustrationen.

Påsatning af skulderrem (Fig. 8)

Sæt den ene endes krog på skulderremmen på ringen foran på støvsugeren og før den anden ende af remmen gennem båndet på støvposen, og sæt derefter kroge i den anden ende på som vist på illustrationen.

Justér skulderremmen (Fig. 9)

Længden af skulderremmen justeres ved at man trækker den ud til den ønskede længde og trækker remmen i pilens retning som vist på illustrationen.

Tilslutning af slangen (Fig. 10)

⚠️ FORSIGTIG:

- **Lad være med at bøje og/eller presse slangen med magt.** Bøjning og/eller presning af slangen kan føre til deformation eller beskadigelse af slangen.
- **Træk ikke støvsugeren i slangen.** Hvis man trækker i slangen, kan resultatet blive deformation eller beskadigelse af slangen.

Sæt "A" enden af slangen i sugeåbningen på støvsugeren og drej den hele vejen med uret, indtil den låses på plads. Sæt kraven på "B" enden af slangen på, og slut den derefter til støvudledningen på et el-værktøj.

Udskiftning af frontkraven (Fig. 11)

Udskift slangens frontkrave i overensstemmelse med størrelsen af støvudledningen på det el-værktøj, der anvendes.

Frontkraven fjernes ved at man tager fat i slangen og drejer den mod uret.

Frontkraven monteres ved at man drejer den med uret og derefter skruer den ind, indtil den stopper.

ANVENDELSE

⚠️ ADVARSEL:

- Anvend ikke skulderremmen under arbejde i højden.
- Hvis støvsugeren anvendes som en stationær støvsuger, skal den anbringes på en flad, stabil flade.

Støvsuger (Fig. 12 og 13)

Hvis støvsugeren anvendes som en bærbar støvsuger, vil krydshængning af skulderremmen på brystet gøre det svært at tabe støvsugeren.

BEMÆRK:

- Langt afskåret dekorationspapir, som kan være frembragt af skærearbejde på gipsplader, afhængigt af tilstanden af det arbejdsstykke, der skal skæres, og som kan sidde fast inden i slangen, kan være årsag til blokering af slangens sugning. Hvis dette sker, skal indstillingen af el-værktøjets skæredybde sættes til en større dybde, hvilket vil mindske blokeringen i sugeslangen.

⚠️ FORSIGTIG:

- Når støvposen er helt ny, kan der komme støv ud af dens overflade. Nogle få ganges anvendelse vil minimere støvudsivningen fra overfladen.

Anvendelse af støvsugeren, mens et mundstykke eller en støvpose monteres

⚠️ ADVARSEL:

- **Sørg altid for, at støvsugeren er afbrudt og at akkuen er fjernet, før mundstykket eller andre tilbehørsdele på støvsugeren monteres eller fjernes.** Forsømmelse af at afbryde og fjerne akkuen kan resultere i alvorlig tilskadekomst.

BEMÆRK:

- Inden anvendelse som blæser umiddelbart efter anvendelse som støvsuger, skal al tiloversblevet støv fjernes fra støvsugeren på grund af risiko for udblæsning af støv.

Anvendelse som blæser (Fig. 14)

Sørg for at montere mundstykket på udledningen (luftåbning).

Mundstykket monteres ved at man anbringer den tap, der stikker frem fra indersiden af mundstykket, på et støvsugerhakkene og derefter drejer mundstykket godt med uret.

Mundstykket afmonteres ved at man drejer det mod uret og trækker det ud.

Ret toppunktet af støvsugeren ind og tænd derefter for den.

Tømning af støvposen

⚠️ ADVARSEL:

- **Sørg altid for, at både støvsugeren og et tilsluttet el-værktøj er afbrudt og at akkuen er fjernet, og at el-værktøjet, hvis det har en ledning, er taget ud af forbindelse inden installation eller fjernelse af støvposen på støvsugeren og tømning af støvposen (lavet af stof).** Forsømmelse af at afbryde, fjerne akkuen og tage det tilsluttede el-værktøj ud af forbindelse kan resultere i elektrisk stød og alvorlig tilskadekomst.
- Når støvposen er omkring halvt fuld, skal den tages af støvsugeren og fastgørelsesanordningen skal trækkes ud. Tøm indholdet ud af støvposen ved at banke let på den for at fjerne partikler, som sidder fast på indersiden, og som kan hindre yderligere opugning.

BEMÆRK:

- **Angående tidspunktet for tømning af støvposen anvendes en rettesnor, der går ud på, at støvposen er fuld, når der er boret omkring 450 huller med en diameter på 6,5 mm og en dybde på 40 mm i beton.** En støvpose, som er tilstoppet med akkumulerede partikler, kan reducere støvsugningsstyrken og øve skade på støvsugerens motor.

⚠️ FORSIGTIG:

- **Sæt støvposen (lavet af stof) ordentligt på støvposens kobling og luk fastgørelsesanordningen helt inden brugen.** Forsømmelse af at montere støvposen ordentligt og lukke fastgørelsesanordningen helt kan føre til udblæsning af støv og resultere i alvorlig tilskadekomst.

Saml den firkantede del på støvposens kobling op, drej den mod uret og fjern derefter støvposen. (Fig. 15)

Åbn fastgørelsesanordningen og bortskaft støvet. (Fig. 16)

⚠️ FORSIGTIG:

- Fjern alle partikler, som sidder fast på fastgørelsesområdet.

VEDLIGEHOLDELSE

⚠️ ADVARSEL:

- Sørg altid for, at støvsugeren er afbrudt og at akkuen er fjernet, inden der udføres inspektion og vedligeholdelse.

Rengøring af filterområdet (Fig. 17)

⚠️ FORSIGTIG:

- Sug ikke andre materiale end støv op, som f.eks. sten, træspåner og lignende, da denne støvsuger udelukkende er beregnet til opugning af støv. Opugning af støv, træspåner og lignende kan beskadige ventilatoren og støvsugeren.

Inspicér og rengør filterområdet i sugeindtaget med jævne mellemrum. Fjern fremmedlegemer, som vil blokere sugningen.

Rengøring

Aftør fra tid til anden ydersiden (støvsugerens ydre) med en klud, der er fugtet med sæbevand.

⚠ FORSIGTIG:

- Anvend aldrig benzin, rensebenzin, fortynder, alkohol og lignende. Resultatet kan blive misfarvning, deformation eller revner.

For at opretholde produktets SIKKERHED og PÅLIDELIGHED bør reparation, vedligeholdelse og justering kun udføres af et Makita servicecenter med anvendelse af original Makita udskiftningsdele.

EKSTRAUDSTYR**⚠ FORSIGTIG:**

- Dette ekstraudstyr eller tilbehørsdele anbefales til brug med Deres Makita støvsuger, som er specificeret i denne brugervejledning. Anvendelse af andet tilbehør eller ekstraudstyr kan udgøre en risiko for personskade. Anvend kun tilbehør og ekstraudstyr til det beskrevne formål.

Hvis De har behov for yderligere detaljer om dette tilbehør, bedes De kontakte Deres lokale Makita Service Center.

- Mundstykker
- Støvposer
- Slanger
- Frontkraver
- Skulderremme
- Original Makita-akku og oplader

BEMÆRK:

- Nogle ting på denne liste kan være inkluderet i værktøjspakken som standardtilbehør. Det kan være forskelligt fra land til land.

Lyd

Det typiske A-vægtede støjniveau bestemt i overensstemmelse med EN60745:

Model DVC340

Lydtryksniveau (L_{pA}): 81 dB (A)
Lydeffektniveau (L_{WA}): 92 dB (A)
Usikkerhed (K): 3 dB (A)

Model DVC350

Lydtryksniveau (L_{pA}): 84 dB (A)
Lydeffektniveau (L_{WA}): 92 dB (A)
Usikkerhed (K): 3 dB (A)

Bær høreværn

ENG900-1

Vibration

Vibrations totalværdi (tre-aksial vektorsum) bestemt i overensstemmelse med EN60745:

Arbejdsformål: anvendelse uden belastning
Vibrationsafgivelse (a_{h1}): 2,5 m/s² eller mindre
Usikkerhed (K): 1,5 m/s²

ENG901-1

- Den angivne vibrationsemissionsværdi er blevet målt i overensstemmelse med standardtestmetoden og kan anvendes til at sammenligne en maskine med en anden.
- Den angivne vibrationsemissionsværdi kan også anvendes i en præliminær eksponeringsvurdering.

⚠ ADVARSEL:

- Vibrationsemissionen under den faktiske anvendelse af maskinen kan være forskellig fra den erklærede emissionsværdi, afhængigt af den måde, hvorpå maskinen anvendes.
- Sørg for at identificere de sikkerhedsforskrifter til beskyttelse af operatøren, som er baseret på en vurdering af eksponering under de faktiske brugsforhold (med hensyntagen til alle dele i brugscyklen, som f.eks. de gange, hvor maskinen er slukket og når den kører i tomgang i tilgift til afbrydertiden).

ΠΡΟΕΙΔΟΠΟΙΗΣΗ: Η συσκευή αυτή μπορεί να χρησιμοποιηθεί από παιδιά άνω των 8 ετών και άτομα με μειωμένες σωματικές, αισθητήριες ή διανοητικές ικανότητες ή που δεν έχουν πείρα και γνώσεις, εάν επιτηρούνται ή τους έχουν δοθεί οδηγίες για την ασφαλή χρήση της συσκευής και κατανοούν τους κινδύνους που εμπλέκονται. Τα παιδιά δεν πρέπει να παίζουν με τη συσκευή. Οι εργασίες καθαρισμού και συντήρησης από το χρήστη δεν θα πρέπει να γίνονται από παιδιά χωρίς επιτήρηση.

Περιγραφή γενικής άποψης

1 Κόκκινη ένδειξη	11 Άγκιστρο	23 Εγκατάσταση
2 Κουμπί	12 Προεξοχή	24 Διακοσμητικό χαρτί
3 Κασέτα μπαταρίας	13 Δακτύλιος	25 Λάμα πριονιού
4 Ένδειξη αστερίσκου	14 Ιμάντας ώμου	26 Βάση
5 Κουμπί ΥΨΗΛΟ/ΧΑΜΗΛΟ	15 Δύο άγκιστρα	27 Βάθος κοπής
6 Κουμπί OFF (απενεργοποίηση)	16 Τραβήξτε έξω	28 Γυψοσανίδα
7 Εξαγωγή σκόνης	17 Για σύμπυξη	29 Εξαγωγή (οπή αερισμού)
8 Σύνδεσμος στερέωσης σάκου σκόνης	18 Για έκταση	30 Ακροφύσιο
9 Πείροι	19 Ηλεκτρικό εργαλείο	31 Πείρος
10 Σάκος σκόνης	20 Μπροστινό περιαυχένιο	32 Τετραγωνικό τμήμα
	21 Εύκαμπτος σωλήνας	33 Χώρος φιλτραρίσματος
	22 Αφαίρεση	

ΤΕΧΝΙΚΑ ΧΑΡΑΚΤΗΡΙΣΤΙΚΑ

Μοντέλο		DVC340	DVC350
Χωρητικότητα	Όγκος	3,0 L	
	Μέγ. όγκος αέρα	3,3 m ³ /λεπτά	3,4 m ³ /λεπτά
Συνεχής χρήση (Περίπου)	ΥΨΗΛΟ	4 λεπτά (με BL1415)	6 λεπτά (με BL1815)
		5 λεπτά (με BL1415N)	7 λεπτά (με BL1815N)
		—	8 λεπτά (με BL1820)
		10 λεπτά (με BL1430)	13 λεπτά (με BL1830)
		13 λεπτά (με BL1440)	18 λεπτά (με BL1840)
		—	21 λεπτά (με BL1850)
	ΧΑΜΗΛΟ	8 λεπτά (με BL1415)	12 λεπτά (με BL1815)
		10 λεπτά (με BL1415N)	14 λεπτά (με BL1815N)
		—	16 λεπτά (με BL1820)
		20 λεπτά (με BL1430)	26 λεπτά (με BL1830)
		26 λεπτά (με BL1440)	36 λεπτά (με BL1840)
		—	42 λεπτά (με BL1850)
Ολικό μήκος		403 χιλ	
Βάρος καθαρό	2,1 Χγρ (BL1415/BL1415N)	2,2 Χγρ (BL1815/BL1815N/BL1820)	
	2,3 Χγρ (BL1430/BL1440)	2,4 Χγρ (BL1830/BL1840/BL1850)	
Εξοδος		D.C. 14,4 V	
		D.C. 18 V	

- Λόγω του ότι καταβάλλομε προσπάθειες μέσω της έρευνας και περαιτέρω εξέλιξης για τα προϊόντα μας επιφυλασσομέθα σχετικά με τροποποιήσεις για τα τεχνικά χαρακτηριστικά που αναφέρονται εδώ.
- Τα τεχνικά χαρακτηριστικά και η κασέτα μπαταρίας μπορεί να διαφέρουν από χώρα σε χώρα.
- Βάρος, με κασέτα μπαταρίας, σύμφωνα με τη διαδικασία ΕΡΤΑ 01/2003

ENE017-1

Προοριζόμενη χρήση

Το εργαλείο προορίζεται για τη συλλογή ξηρής σκόνης.

GEA010-1

Γενικές προειδοποιήσεις ασφαλείας για το ηλεκτρικό εργαλείο

⚠ ΠΡΟΕΙΔΟΠΟΙΗΣΗ Διαβάστε όλες τις προειδοποιήσεις ασφαλείας και όλες τις οδηγίες. Η μη τήρηση των προειδοποιήσεων και οδηγιών ενδέχεται να καταλήξει σε ηλεκτροπληξία, πυρκαγιά ή/και σοβαρό τραυματισμό.

Φυλάξτε όλες τις προειδοποιήσεις και τις οδηγίες για μελλοντική παραπομπή.

ENB117-4

ΗΛΕΚΤΡΙΚΗ ΣΚΟΥΠΑ ΜΠΑΤΑΡΙΑΣ ΠΡΟΕΙΔΟΠΟΙΗΣΕΙΣ ΑΣΦΑΛΕΙΑΣ

⚠ ΠΡΟΕΙΔΟΠΟΙΗΣΗ! ΣΗΜΑΝΤΙΚΟ ΔΙΑΒΑΣΤΕ ΜΕ ΠΡΟΣΟΧΗ όλες τις προειδοποιήσεις ασφαλείας και όλες τις οδηγίες ΠΡΙΝ ΑΠΟ ΤΗ ΧΡΗΣΗ. Η μη τήρηση των προειδοποιήσεων και οδηγιών ενδέχεται να καταλήξει σε ηλεκτροπληξία, πυρκαγιά ή/και σοβαρό τραυματισμό.

1. Οι χειριστές πρέπει να έχουν εκπαιδευτεί επαρκώς στη χρήση αυτής της ηλεκτρικής σκούπας.
2. Αυτή η ηλεκτρική σκούπα δεν είναι κατάλληλη για τη συλλογή επικίνδυνης σκόνης.
3. Αυτή η ηλεκτρική σκούπα προορίζεται για στεγνή χρήση μόνο.
4. Αυτή η ηλεκτρική σκούπα προορίζεται για χρήση σε εσωτερικούς χώρους μόνο.
5. Αυτή η ηλεκτρική σκούπα προορίζεται για φύλαξη σε εσωτερικούς χώρους μόνο.
6. Μην παίρνετε από κάτω τα ακόλουθα υλικά:
 - Καυτά υλικά όπως αναμμένα τσιγάρα ή μεταλλική σκόνη/ρινίσματα που παράγονται από τη λείανση/κοπή μετάλλου
 - Εύφλεκτα υλικά όπως βενζίνη, διαλυτικό, πετρελαϊκό αιθέρα, κηροζίνη ή χρώματα
 - Εκρηκτικά υλικά, όπως νιτρογλυκερίνη
 - Αναφλέξιμα υλικά όπως αλουμίνιο, ψευδάργυρο, μαγνήσιο, τιτάνιο, φώσφορο ή κελλουοίτης
 - Υγρές ακαθαρσίες, νερό, έλαιο ή παρόμοιες ουσίες
 - Αιχμηρά τεμάχια σκληρών υλικών, όπως ροκανίδια, μέταλλα, πέτρες, γυαλιά, καρφιά, πινέζες ή ξυραφάκια
 - Σκόνη η οποία σκληραίνει, όπως ταϊμέντο ή τόνερ
 - Αγώγιμη σκόνη, όπως σκόνη μετάλλου ή άνθρακα

- Λεπτότατα σωματίδια, όπως σκόνη σκυροδέματος

Μια τέτοια ενέργεια ενδέχεται να προκαλέσει πυρκαγιά, τραυματισμό ή/και ζημιά σε περιουσιακά στοιχεία.

7. Διακόψτε τη λειτουργία αμέσως, εάν παρατηρήσετε οτιδήποτε μη φυσιολογικό.
8. Μην πλησιάζετε σε θερμάστρες ή άλλες πηγές θερμότητας.
9. Μη φράσσετε την οπή εισαγωγής ή τις οπές αερισμού.
10. Μην αφήνετε την ηλεκτρική σκούπα χωρίς επίτηρηση. Να αφαιρείτε τη μπαταρία από τη συσκευή, όταν δεν χρησιμοποιείται και πριν από το σέρβις.
11. Δεν επιτρέπεται η χρήση της ως παιχνίδι. Απαιτείται ιδιαίτερη προσοχή κατά τη χρήση από ή κοντά σε παιδιά.
12. Να χρησιμοποιείται μόνο σύμφωνα με τις οδηγίες του παρόντος εγχειριδίου. Να χρησιμοποιούνται μόνον τα εξαρτήματα, που συνιστώνται από τον κατασκευαστή.
13. Μην τοποθετείτε κανένα αντικείμενο μέσα στις οπές. Μην χρησιμοποιείτε εάν παρουσιαστεί έμφραξη κάποιου ανοίγματος, να διατηρήσετε την ελεύθερη από σκόνη, χνούδια, τρίχες και οτιδήποτε ενδέχεται να προκαλέσει μείωση της ροής του αέρα.
14. Να προσέχετε ιδιαίτερα, όταν καθαρίζετε σκαλοπάτια.
15. Όταν χρησιμοποιείτε την ηλεκτρική σκούπα ως φυσητήρα
 - να χρησιμοποιείτε πάντα γυαλιά προστασίας, καπέλο και μάσκα κατά τη λειτουργία,
 - να φροντίζετε πάντα ώστε η ηλεκτρική σκούπα να έχει απενεργοποιηθεί και η κασέτα μπαταρίας να έχει αφαιρεθεί πριν από τον καθαρισμό οποιασδήποτε έμφραξης,
 - να πατάτε πάντα σταθερά σε επικλινές έδαφος,
 - να περπατάτε, μην τρέχετε ποτέ,
 - Μην στρέφετε ποτέ το ακροφύσιο προς την κατεύθυνση κάποιου που βρίσκεται εκεί κοντά,
 - Να φροντίζετε ώστε όλα τα περικόχλια, οι κοχλίες και οι βίδες να είναι σφιγμένα, ώστε να διασφαλιστεί ότι η ηλεκτρική σκούπα είναι σε ασφαλή κατάσταση λειτουργίας,
 - Να φυλάσσετε την ηλεκτρική σκούπα μόνο σε στεγνό μέρος,
 - Ο χειριστής είναι υπεύθυνος για τυχόν ατυχήματα ή κινδύνους στα οποία εκτίθενται τρίτοι ή η ιδιοκτήσιμους τους.

ΦΥΛΑΞΤΕ ΓΙΑ ΜΕΛΛΟΝΤΙΚΗ ΠΑΡΑΠΟΜΠΗ

⚠ ΠΡΟΕΙΔΟΠΟΙΗΣΗ:

ΜΗΝ επιτρέψετε το βαθμό άνεσης ή εξοικείωσης με το προϊόν (λόγω επανειλημμένης χρήσης) να αντικαταστήσει την αυστηρή τήρηση των κανόνων ασφαλείας του παρόντος εργαλείου. ΚΑΚΗ ΧΡΗΣΗ ή αμέλεια να ακολουθηθούν τους κανόνες ασφαλείας που διατυπώνονται σ'αυτό το εγχειρίδιο οδηγιών μπορεί να προκαλέσει σοβαρό προσωπικό τραυματισμό.

Αυτή η ηλεκτρική σκούπα προορίζεται για οικιακή και επαγγελματική χρήση, π.χ. σε ξενοδοχεία, σχολεία, νοσοκομεία, εργοστάσια, καταστήματα, γραφεία και επιχειρήσεις ενοικίασης.

ENC007-8

ΣΗΜΑΝΤΙΚΕΣ ΟΔΗΓΙΕΣ ΑΣΦΑΛΕΙΑΣ

ΓΙΑ ΚΑΣΕΤΑ ΜΠΑΤΑΡΙΑΣ

1. Πριν χρησιμοποιήσετε την κασέτα μπαταρίας, διαβάστε όλες τις οδηγίες και σημειώσεις προφύλαξης (1) στον φορτιστή μπαταρίας, (2) στην μπαταρία και (3) στο προϊόν που χρησιμοποιεί την μπαταρία.
2. Μην αποσυναρμολογήσετε την κασέτα μπαταρίας.
3. Εάν ο χρόνος λειτουργίας έχει γίνει υπερβολικά βραχύς, σταματήστε την λειτουργία αμέσως. Αλλιώς, μπορεί να έχει ως αποτέλεσμα κίνδυνο υπερθέρμανσης, πιθανά εγκαύματα ή ακόμη και έκρηξη.
4. Εάν ηλεκτρολύτης μπει στα μάτια σας, ξεπλύνετε τα με καθαρό νερό και ζητήστε ιατρική φροντίδα αμέσως. Αλλιώς, μπορεί να έχει ως αποτέλεσμα απώλεια της όρασης σας.
5. Μην βραχυκυκλώνετε την κασέτα μπαταρίας:
 - (1) Μην αγγίζετε τους πόλους με οτιδήποτε αγώγιμο υλικό.
 - (2) Αποφεύγετε να αποθηκεύετε την κασέτα μπαταρίας μέσα σε ένα δοχείο μαζί με άλλα μεταλλικά αντικείμενα όπως καρφιά, νομίσματα, κλπ.
 - (3) Μην εκθέτε την κασέτα μπαταρίας στο νερό ή στη βροχή.Ενα βραχυκύκλωμα μπαταρίας μπορεί να προκαλέσει μεγάλη ροή ρεύματος, υπερθέρμανση, πιθανά εγκαύματα ακόμη και σοβαρή βλάβη.
6. Μην αποθηκεύετε το εργαλείο και την κασέτα μπαταρίας σε τοποθεσίες όπου η θερμοκρασία μπορεί να φτάσει ή να ξεπεράσει τους 50°C.
7. Μην καίτε την κασέτα μπαταρίας ακόμη και εάν έχει σοβαρή ζημιά ή είναι εντελώς φθαρμένη. Η κασέτα μπαταρίας μπορεί να εκραγεί στην φωτιά.
8. Προσέχετε να μη ρίξετε κάτω ή χτυπήσετε την μπαταρία.
9. Μην χρησιμοποιείτε μπαταρία που έχει υποστεί ζημιά.
10. Τηρήστε τους τοπικούς κανονισμούς που σχετίζονται με τη διάθεση της μπαταρίας.

ΦΥΛΑΞΤΕ ΤΙΣ ΟΔΗΓΙΕΣ ΑΥΤΕΣ.

Συμβουλές για διατήρηση μέγιστης ζωής μπαταρίας

1. Φορτίζετε την κασέτα μπαταρίας πριν από την πλήρη αποφόρτιση της. Πάντοτε σταματάτε την λειτουργία του εργαλείου και φορτίζετε την κασέτα μπαταρίας όταν παρατηρήσετε μειωμένη ισχύ εργαλείου.
2. Ποτέ μην επαναφορτίζετε μία πλήρως φορτισμένη κασέτα μπαταρίας. Υπερφόρτιση μειώνει την ωφέλιμη ζωή της μπαταρίας.

3. Φορτίζετε την κασέτα μπαταρίας σε θερμοκρασία δωματίου 10°C – 40°C. Αφήστε μία θερμή κασέτα μπαταρίας να κρυώσει πριν την φορτίσετε.
4. Φορτίστε την κασέτα μπαταρίας μία φορά κάθε έξι μήνες εάν δεν τη χρησιμοποιείτε για μεγάλη χρονική περίοδο.

ΠΕΡΙΓΡΑΦΗ ΛΕΙΤΟΥΡΓΙΑΣ

⚠ ΠΡΟΣΟΧΗ:

- Να φροντίζετε πάντα ώστε η ηλεκτρική σκούπα να έχει απενεργοποιηθεί και η κασέτα μπαταρίας να έχει αφαιρεθεί πριν από τη ρύθμιση ή τον έλεγχο λειτουργίας της ηλεκτρικής σκούπας.

Τοποθέτηση ή αφαίρεση κασέτα μπαταρίας (Εικ. 1)

⚠ ΠΡΟΣΟΧΗ:

- Να απενεργοποιείτε πάντα την ηλεκτρική σκούπα πριν τοποθετήσετε ή αφαιρέσετε την κασέτα μπαταρίας.
- Να κρατάτε την ηλεκτρική σκούπα και την κασέτα μπαταρίας καλά όταν τοποθετείτε ή αφαιρείτε την κασέτα μπαταρίας. Εάν δεν κρατάτε καλά την ηλεκτρική σκούπα και την κασέτα μπαταρίας μπορεί να γλιστρήσουν από τα χέρια σας με αποτέλεσμα την πρόκληση βλάβης στην ηλεκτρική σκούπα και την κασέτα μπαταρίας και προσωπικό τραυματισμό.

Για να αφαιρέσετε την κασέτα μπαταρίας, σύρετέ την από την ηλεκτρική σκούπα ενώ σύρετε το κουμπί στο μπροστινό μέρος της κασέτας.

Για να τοποθετήσετε την κασέτα μπαταρίας, ευθυγραμμίστε τη γλώσσα στην κασέτα μπαταρίας με την αύλακα στην υποδοχή και ολισθήστε τη στη θέση της. Να την τοποθετείτε πλήρως μέχρι να ασφαλίσει στη θέση της, γεγονός που υποδεικνύεται με ένα χαρακτηριστικό ήχο. Αν μπορείτε να δείτε την κόκκινη ένδειξη στην επάνω πλευρά του κουμπιού, δεν έχει κλειδώσει τελείως.

⚠ ΠΡΟΣΟΧΗ:

- Να τοποθετείτε πάντα την κασέτα μπαταρίας πλήρως μέχρι να μην βλέπετε την κόκκινη ένδειξη. Εάν δεν ασφαλίσει, μπορεί, κατά λάθος, να πέσει από την ηλεκτρική σκούπα, προκαλώντας τραυματισμό σε εσάς ή κάποιο άλλο άτομο γύρω σας.
- Μην τοποθετείτε την κασέτα μπαταρίας με βία. Αν η κασέτα δεν εισέρχεται με ευκολία, δεν είναι τοποθετημένη σωστά.

Σύστημα προστασίας μπαταρίας

Η ηλεκτρική σκούπα διαθέτει σύστημα προστασίας, το οποίο διακόπτει αυτόματα την ισχύ εξόδου σε όλη τη μακρά διάρκεια ζωής της.

Η λειτουργία της ηλεκτρικής σκούπας ενδέχεται να διακοπεί κατά τη χρήση, όταν η ηλεκτρική σκούπα ή/και η μπαταρία βρίσκονται κάτω από τις ακόλουθες συνθήκες. Αυτό συμβαίνει λόγω ενεργοποίησης του συστήματος προστασίας και δεν υποδεικνύει δυσλειτουργία της ηλεκτρικής σκούπας.

- Όταν η ηλεκτρική σκούπα έχει υπερφορτωθεί:

Σε αυτήν την περίπτωση, πιέστε το κουμπί "OFF" και απομακρύνετε τις αιτίες υπερφόρτωσης, στη συνέχεια πιέστε ξανά το κουμπί "ΨΗΛΟ/ΧΑΜΗΛΟ" για επανεκκίνηση.

- Όταν τα στοιχεία της μπαταρίας υπερθερμαίνονται: (ανατρέξτε στη σημείωση κατωτέρω)

Εάν, κατά το χειρισμό του κουμπιού “ΥΨΗΛΟ/ΧΑΜΗΛΟ” και του κουμπιού “OFF”, ο κινητήρας παραμείνει ακινητοποιημένος. Σε αυτήν την περίπτωση, διακόψτε τη χρήση της ηλεκτρικής σκούπας και αφήστε τη να ψυχθεί ή φορτίστε την κασέτα μπαταρίας αφού την αφαιρέσετε από την ηλεκτρική σκούπα.

- Όταν η εναπομένονσα φόρτιση της μπαταρίας είναι χαμηλή:

Εάν, κατά το χειρισμό του κουμπιού “ΥΨΗΛΟ/ΧΑΜΗΛΟ” και του κουμπιού “OFF”, ο κινητήρας παραμένει ακινητοποιημένος. Σε αυτήν την περίπτωση, αφαιρέστε την κασέτα μπαταρίας από την ηλεκτρική σκούπα και φορτίστε την.

ΣΗΜΕΙΩΣΗ:

- Αυτή η προστασία από υπερθέρμανση εφαρμόζεται μόνον όταν η ηλεκτρική σκούπα χρησιμοποιείται με κασέτα μπαταρίας η οποία φέρει την ένδειξη αστερίσκου. (Εικ. 2)

Ενεργοποίηση (Εικ. 3)

Για εκκίνηση της ηλεκτρικής σκούπας, πιέστε απλά το κουμπί “ΥΨΗΛΟ/ΧΑΜΗΛΟ”. Για απενεργοποίηση, πιέστε το κουμπί “OFF”. Για αλλαγή της ταχύτητας της ηλεκτρικής σκούπας, πιέστε το κουμπί “ΥΨΗΛΟ/ΧΑΜΗΛΟ”. Με την πρώτη πίεση του κουμπιού επιτυγχάνεται υψηλή ταχύτητα και με τη δεύτερη επιτυγχάνεται χαμηλή ταχύτητα, στη συνέχεια με κάθε πίεση του κουμπιού επιτυγχάνεται η αλλαγή ταχύτητας μεταξύ των ρυθμίσεων υψηλό/χαμηλό εναλλάξ.

ΣΥΝΑΡΜΟΛΟΓΗΣΗ

⚠ ΠΡΟΣΟΧΗ:

- Να φροντίζετε πάντα ώστε η ηλεκτρική σκούπα να έχει απενεργοποιηθεί και η κασέτα μπαταρίας να έχει αφαιρεθεί πριν από την εκτέλεση οποιασδήποτε εργασίας στην ηλεκτρική σκούπα.
- Οποιαδήποτε εργασία, όταν η κασέτα μπαταρίας παραμείνει εγκατεστημένη στην ηλεκτρική σκούπα, ενδέχεται να προκαλέσει τραυματισμό ή ζημία σε αντικείμενα που βρίσκονται γύρω από την ηλεκτρική σκούπα.

Τοποθέτηση σάκου σκόνης (Εικ. 4, 5, 6 και 7)

Κρατήστε το τετραγωνικό τμήμα του συνδέσμου στερέωσης του σάκου σκόνης και τοποθετήστε τους πείρους μέσα στο σύνδεσμο του σάκου σκόνης της ηλεκτρικής σκούπας, στη συνέχεια εισάγετε και γυρίστε την πλήρως δεξιόστροφα μέχρι το τέρμα.

Σε αυτό το σημείο, βεβαιωθείτε ότι το τμήμα στερέωσης του σάκου σκόνης είναι στραμμένο προς τα άνω.

ΣΗΜΕΙΩΣΗ:

- Όταν αποσυνδεθούν ο σύνδεσμος του σάκου σκόνης και ο δακτύλιος στο εσωτερικό του σάκου σκόνης, εγκαταστήστε ως εξής.

- (1) Ευθυγραμμίστε το σύνδεσμο του σάκου σκόνης με τη ραφή του σάκου σκόνης και εγκαταστήστε τον ώστε η προεξοχή να είναι στραμμένη προς τα άνω.

- (2) Σφίξτε το δακτύλιο στο εσωτερικό του σάκου σκόνης σταθερά, ώστε οι πείροι και ο δακτύλιος να είναι τοποθετημένα όπως υποδεικνύεται στην εικόνα.

Τοποθέτηση ιμάντα ώμου (Εικ. 8)

Προσαρμόστε το άγκιστρο του ενός άκρου στο δακτύλιο στο μπροστινό μέρος της ηλεκτρικής σκούπας και περάστε το άλλο άκρο του ιμάντα διαμέσου της ζώνης του σάκου σκόνης και στη συνέχεια προσαρμόστε το άγκιστρο του άλλου άκρου, όπως υποδεικνύεται στην εικόνα.

Ρύθμιση ιμάντα ώμου (Εικ. 9)

Για να ρυθμίσετε το μήκος του ιμάντα ώμου, τραβήξτε τον έξω στο επιθυμητό μήκος και τραβήξτε τον ιμάντα προς την κατεύθυνση του βέλους, όπως υποδεικνύεται στην εικόνα.

Σύνδεση εύκαμπτου σωλήνα (Εικ. 10)

⚠ ΠΡΟΣΟΧΗ:

- Μην υποβάλλετε τον εύκαμπο σωλήνα σε κάμψη ή/και πάτημα. Η άσκηση βίαιης δύναμης ή/και το πάτημα του εύκαμπτου σωλήνα ενδέχεται να προκαλέσει παραμόρφωση ή ζημία στο σωλήνα.
- Μην τραβάτε την ηλεκτρική σκούπα από τον εύκαμπο σωλήνα για να τη μεταφέρετε. Το τράβηγμα του εύκαμπτου σωλήνα ενδέχεται να προκαλέσει παραμόρφωση ή ζημία στο σωλήνα.

Εισάγετε το άκρο “Α” του εύκαμπτου σωλήνα στο άνοιγμα αναρρόφησης της ηλεκτρικής σκούπας και γυρίστε τον πλήρως δεξιόστροφα μέχρι τέρμα, ώστε να ασφαλιστεί. Προσαρμόστε το περιαυχένιο στο άκρο “Β” του εύκαμπτου σωλήνα και στη συνέχεια συνδέστε τον στην εξαγωγή σκόνης του ηλεκτρικού εργαλείου.

Αντικατάσταση του μπροστινού περιαυχενίου

(Εικ. 11)

Αλλάξτε το μπροστινό περιαυχένιο του εύκαμπτου σωλήνα ανάλογα με το μέγεθος της εξαγωγής σκόνης του ηλεκτρικού εργαλείου που χρησιμοποιείτε.

Για να αφαιρέσετε το μπροστινό περιαυχένιο, κρατήστε τον εύκαμπο σωλήνα και γυρίστε το αριστερόστροφα.

Για να προσαρμόσετε το μπροστινό περιαυχένιο, γυρίστε το δεξιόστροφα και στη συνέχεια βιδώστε το μέχρι τέρμα.

ΛΕΙΤΟΥΡΓΙΑ

⚠ ΠΡΟΕΙΔΟΠΟΙΗΣΗ:

- Μην χρησιμοποιείτε τον ιμάντα ώμου, όταν εργάζεστε σε υψηλό σημείο.
- Όταν χρησιμοποιείτε την ηλεκτρική σκούπα ως ακίνητη ηλεκτρική σκούπα, τοποθετήστε την πάνω σε μια επίπεδη και σταθερή επιφάνεια.

Ηλεκτρική σκούπα (Εικ. 12 και 13)

Όταν χρησιμοποιείτε την ηλεκτρική σκούπα ως φορητή, περάστε τον ιμάντα ώμου σταυρωτά μπροστά από το στήθος ώστε να είναι δύσκολο να υποστεί πτώση η ηλεκτρική σκούπα.

ΣΗΜΕΙΩΣΗ:

- Τμήματα διακοσμητικού χαρτιού μεγάλου μήκους που ενδέχεται να παράγονται κατά την κοπή γυψοσανίδας, ανάλογα με την κατάσταση του τεμαχίου εργασίας προς κοπή, ενδέχεται να αναρροφηθούν στο εσωτερικό του εύκαμπτου σωλήνα και να προκαλέσουν έμφραξη του σωλήνα αναρρόφησης. Εάν συμβεί αυτό, αλλάξτε τη ρύθμιση για το βάθος κοπής του ηλεκτρικού εργαλείου σε μεγαλύτερο βάθος, πράγμα το οποίο θα διευκολύνει στο να αποφεύγετε την έμφραξη του σωλήνα αναρρόφησης.

⚠️ ΠΡΟΣΟΧΗ:

- Όταν ο σάκος σκόνης είναι καινούριος, ενδέχεται να παρατηρηθεί έκλυση σκόνης από την επιφάνειά του. Μετά από μερικές χρήσεις, η διαρροή σκόνης από την επιφάνεια θα ελαχιστοποιηθεί.

Λειτουργία ηλεκτρικής σκούπας με ακροφύσιο ή σάκο σκόνης τοποθετημένα

⚠️ ΠΡΟΕΙΔΟΠΟΙΗΣΗ:

- **Να φροντίζετε πάντα ώστε η ηλεκτρική σκούπα να έχει απενεργοποιηθεί και η κασέτα μπαταρίας να έχει αφαιρεθεί πριν από την τοποθέτηση ή αφαίρεση του ακροφυσίου ή άλλου εξαρτήματος της ηλεκτρικής σκούπας.** Η μη απενεργοποίηση και αφαίρεση της κασέτας μπαταρίας ενδέχεται να καταλήξει σε σοβαρό τραυματισμό.

ΣΗΜΕΙΩΣΗ:

- Όταν χρησιμοποιείτε τη λειτουργία φυσητήρα αμέσως μετά από τη λειτουργία καθαρισμού, αφαιρέστε όλα τα υπόλοιπα ίχνη σκόνης από την ηλεκτρική σκούπα για να αποφύγετε το ενδεχόμενο φυσήματος σκόνης.

Χρήση ως φυσητήρας (Εικ. 14)

Μην παραλείψετε να τοποθετήσετε το ακροφύσιο στην εξαγωγή αέρα (οπή αερισμού).

Για να τοποθετήσετε το ακροφύσιο, τοποθετήστε τον πείρο που εξέρχεται από το εσωτερικό του ακροφυσίου σε μία από τις εγκοπές της ηλεκτρικής σκούπας και στη συνέχεια γυρίστε το ακροφύσιο δεξιόστροφα ώστε να ασφαλιστεί κατάλληλα.

Για να αφαιρέσετε το ακροφύσιο, γυρίστε το αριστερόστροφα και τραβήξτε το προς τα έξω.

Κατευθύνετε το άνω σημείο της ηλεκτρικής σκούπας και στη συνέχεια ενεργοποιήστε την.

Άδειαση σάκου σκόνης

⚠️ ΠΡΟΕΙΔΟΠΟΙΗΣΗ:

- **Να φροντίζετε πάντα ώστε η ηλεκτρική σκούπα όπως και το συνδεδεμένο ηλεκτρικό εργαλείο να είναι απενεργοποιημένα, να έχει αφαιρεθεί η κασέτα μπαταρίας και να έχει αποσυνδεθεί το ηλεκτρικό εργαλείο από την παροχή, εάν έχει καλώδιο τροφοδοσίας, πριν από την τοποθέτηση ή αφαίρεση του σάκου σκόνης της ηλεκτρικής σκούπας και το άδειασμα του σάκου (κατασκευασμένου από ύφασμα).** Η μη απενεργοποίηση, αφαίρεση της κασέτας μπαταρίας και αποσύνδεση του συνδεδεμένου εργαλείου από την παροχή, ενδέχεται να καταλήξει σε ηλεκτροπληξία και σοβαρό τραυματισμό.

- Όταν ο σάκος σκόνης είναι σχεδόν κατά το ήμισυ πλήρης, αφαιρέστε το σάκο από την ηλεκτρική σκούπα και τραβήξτε έξω το συνδεδετήρα στερέωσης. Αδειάστε το περιεχόμενο του σάκου σκόνης, χτυπώντας τον ελαφρά ώστε να αποσπαστεί τυχόν σωματίδια που προσκολλώνται στο εσωτερικό και ενδέχεται να παρεμποδίζουν την περαιτέρω συλλογή σκόνης.

ΣΗΜΕΙΩΣΗ:

- **Όσον αφορά το χρονικό διάστημα μετά από την πάροδο του οποίου απαιτείται άδειαση του σάκου σκόνης, να έχετε υπόψη σας ότι ο σάκος γεμίζει μετά από διάνοιξη 450 οπών διαμέτρου 6,5 χιλ και βάθους 40 χιλ σε ακυρόδεμα.** Ένας σάκος σκόνης ο οποίος παρουσιάζει έμφραξη των πόρων λόγω συσσώρευσης σωματιδίων σκόνης ενδέχεται να προκαλέσει μείωση της ισχύος αναρρόφησης και ζημία στον ηλεκτροκινητήρα της ηλεκτρικής σκούπας.

⚠️ ΠΡΟΣΟΧΗ:

- **Προσαρμόστε σταθερά το σάκο σκόνης (κατασκευασμένου από ύφασμα) στο σύνδεσμο του σάκου σκόνης και κλείστε το συνδεδετήρα στερέωσης πλήρως πριν από τη χρήση.** Η μη κατάλληλη προσαρμογή του σάκου σκόνης και το κλείσιμο του συνδεδετήρα στερέωσης πλήρως, ενδέχεται να προκαλέσει φύσημα σκόνης προς τα έξω και να καταλήξει σε σοβαρό τραυματισμό.

Κρατήστε σταθερά το τετραγωνικό τμήμα του συνδέσμου του σάκου σκόνης, γυρίστε το αριστερόστροφα και στη συνέχεια αφαιρέστε το σάκο σκόνης. (Εικ. 15)

Ανοίξτε το συνδεδετήρα στερέωσης και απορρίψτε τη σκόνη. (Εικ. 16)

⚠️ ΠΡΟΣΟΧΗ:

- Απομακρύνετε όλα τα σωματίδια σκόνης που είναι προσκολλημένα στην περιοχή του συνδεδετήρα στερέωσης.

ΣΥΝΤΗΡΗΣΗ

⚠️ ΠΡΟΕΙΔΟΠΟΙΗΣΗ:

- Να φροντίζετε πάντα για την απενεργοποίηση της ηλεκτρικής σκούπας και την αφαίρεση της κασέτας μπαταρίας, πριν επιχειρήσετε οποιοδήποτε έλεγχο ή συντήρηση του εργαλείου.

Καθαρισμός περιοχής φίλτρου (Εικ. 17)

⚠️ ΠΡΟΣΟΧΗ:

- Μην επιχειρήσετε να συλλέξετε άλλα υλικά εκτός από σκόνη, όπως πετραδάκια, ροκανίδια και παρόμοια αντικείμενα διότι αυτή η ηλεκτρική σκούπα έχει σχεδιαστεί για τη συλλογή σκόνης μόνο. Εάν επιχειρήσετε να συλλέξετε πετραδάκια, ροκανίδια και άλλα παρόμοια υλικά, ενδέχεται να προκληθεί ζημία στον ανεμιστήρα και στην ηλεκτρική σκούπα.

Να φροντίζετε για το συχνό καθαρισμό της περιοχής του φίλτρου στην εισαγωγή αναρρόφησης. Να αφαιρείτε ξένα αντικείμενα τα οποία θα παρεμποδίζουν την αναρρόφηση.

Καθαρισμός

Περιστασιακά, καθαρίστε το εξωτερικό (σώμα ηλεκτρικής σκούπας) της σκούπας χρησιμοποιώντας ένα πανί που έχετε υγράνει με σαπουνόνερο.

⚠ ΠΡΟΣΟΧΗ:

- Μην χρησιμοποιείτε ποτέ βενζίνη, πετρελαϊκό αιθέρα, διαλυτικό, αλκοόλη ή παρόμοιες ουσίες. Ενδέχεται να προκληθεί αποχρωματισμός παραμόρφωση ή ρωγμές.

Για την διατήρηση της ΑΣΦΑΛΕΙΑΣ και ΑΞΙΟΠΙΣΤΙΑΣ του προϊόντος, επισκευές, οποιαδήποτε άλλη συντήρηση ή ρύθμιση πρέπει να εκτελούνται από τα Εξουσιοδοτημένα Κέντρα Εξυπηρέτησης της Makita, με χρήση πάντοτε ανταλλακτικών Makita.

ΠΡΟΑΙΡΕΤΙΚΑ ΕΞΑΡΤΗΜΑΤΑ

⚠ ΠΡΟΣΟΧΗ:

- Αυτά τα παρελκόμενα ή εξαρτήματα συνιστώνται για χρήση με την ηλεκτρική σκούπα της Makita που περιγράφεται στο παρόν εγχειρίδιο. Η χρήση οτιδήποτε άλλων εξαρτημάτων ή προσαρτημάτων μπορεί να προκαλέσει κίνδυνο τραυματισμού σε άτομα. Χρησιμοποιείτε τα εξαρτήματα ή προσαρτήματα μόνο για την χρήση που προορίζονται.

Εάν χρειάζεστε οποιαδήποτε βοήθεια για περισσότερες πληροφορίες σε σχέση με αυτά τα εξαρτήματα, αποτανθείτε στο τοπικό σας κέντρο εξυπηρέτησης Makita.

- Ακροφύσια
- Σάκοι σκόνης
- Εύκαμπτοι σωλήνες
- Μπροστινά περιαιχένια
- Ιμάντες ώμου
- Γνήσια μπαταρία και φορτιστής της Makita

ΠΑΡΑΤΗΡΗΣΗ:

- Μερικά στοιχεία στη λίστα μπορεί να συμπεριλαμβάνονται στη συσκευασία εργαλείου ως στάνταρ εξαρτήματα. Μπορεί να διαφέρουν ανάλογα με τη χώρα.

Θόρυβος

Το τυπικό Α επίπεδο μετρημένου θορύβου καθορίζεται σύμφωνα με το EN60745:

Μοντέλο DVC340

Στάθμη πίεσης ήχου (L_{pA}): 81 dB (A)
Στάθμη δύναμης ήχου (L_{WA}): 92 dB (A)
Αβεβαιότητα (K): 3 dB (A)

Μοντέλο DVC350

Στάθμη πίεσης ήχου (L_{pA}): 84 dB (A)
Στάθμη δύναμης ήχου (L_{WA}): 95 dB (A)
Αβεβαιότητα (K): 3 dB (A)

Φοράτε ωτοασπίδες

ENG900-1

Κραδασμός

Η ολική τιμή δόνησης (άθροισμα τρι-αξονικού διανύσματος) καθορίζεται σύμφωνα με το EN60745:

Είδος εργασίας: λειτουργία χωρίς φορτίο
Εκπομπή δόνησης (a_{hv}): 2,5 m/s^2 ή λιγότερο
Αβεβαιότητα (K): 1,5 m/s^2

ENG901-1

- Η δηλωμένη τιμή εκπομπής κραδασμών έχει μετρηθεί σύμφωνα με την πρότυπη μέθοδο δοκιμής και μπορεί να χρησιμοποιηθεί για τη σύγκριση ενός εργαλείου με άλλο.
- Η δηλωμένη τιμή εκπομπής κραδασμών μπορεί να χρησιμοποιηθεί και στην προκαταρκτική αξιολόγηση έκθεσης.

⚠ ΠΡΟΕΙΔΟΠΟΙΗΣΗ:

- Η εκπομπή κραδασμών κατά τη χρήση του ηλεκτρικού εργαλείου σε πραγματικές συνθήκες μπορεί να διαφέρει από τη δηλωμένη τιμή εκπομπής ανάλογα με τον τρόπο χρήσης του εργαλείου.
- Φροντίστε να λάβετε τα κατάλληλα μέτρα προστασίας του χειριστή βάσει υπολογισμού της έκθεσης σε πραγματικές συνθήκες χρήσης (λαμβάνοντας υπόψη όλες τις συνιστώσες του κύκλου λειτουργίας όπως τους χρόνους που το εργαλείο είναι εκτός λειτουργίας και όταν βρίσκεται σε αδρανή λειτουργία πέραν του χρόνου ενεργοποίησης).

Makita Jan-Baptist Vinkstraat 2, 3070, Belgium
Makita Corporation Anjo, Aichi, Japan