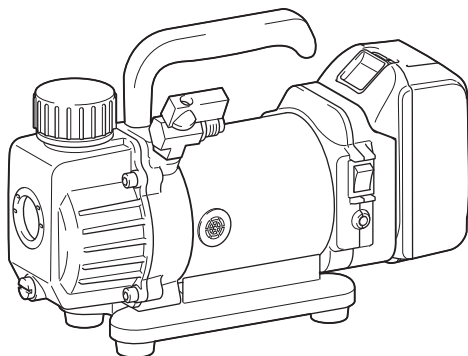




EN	Cordless Vacuum Pump	Instruction Manual	4
DE	Akku-Vakuumpumpe	Bedienungsanleitung	11
PL	Bezprzewodowa Pompa Próžniowa	Instrukcja obsługi	18
HU	Vezeték nélküli vákuumszivattyú	Használati útmutató	25
SK	Akumulátorové vákuové čerpadlo	Návod na obsluhu	33
CS	Akumulátorové vakuové čerpadlo	Návod k použití	40
UK	Бездротовий вакуумний насос	Інструкція з експлуатації	47
RO	Pompă de vid cu acumulator	Manual de instrucțiuni	54
SL	Brezžična vakuumska črpalka	Navodila za uporabo	61

DVP180



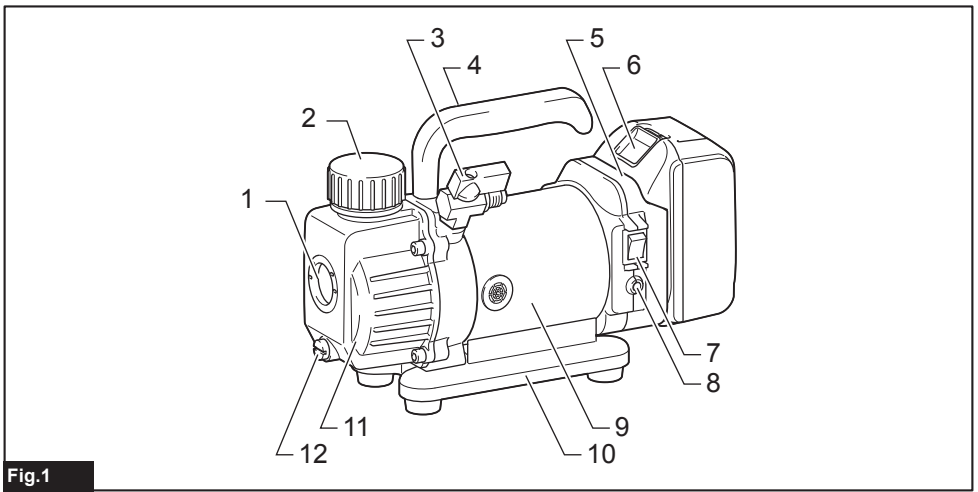


Fig.1

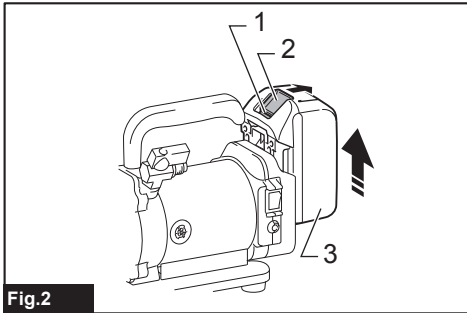


Fig.2

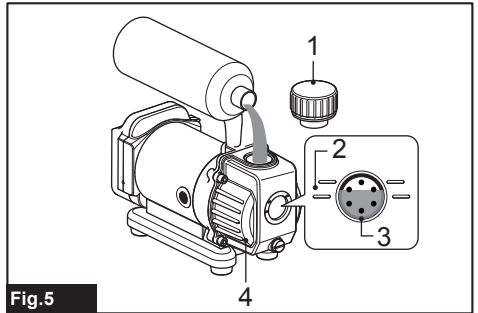


Fig.5

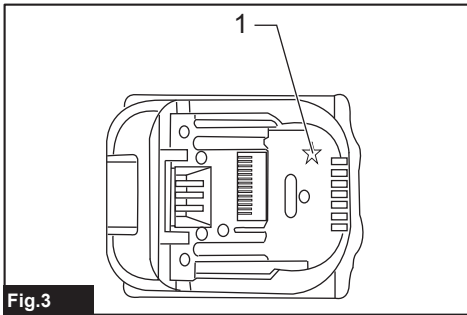


Fig.3

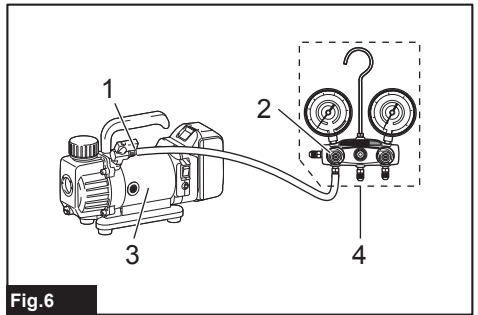


Fig.6

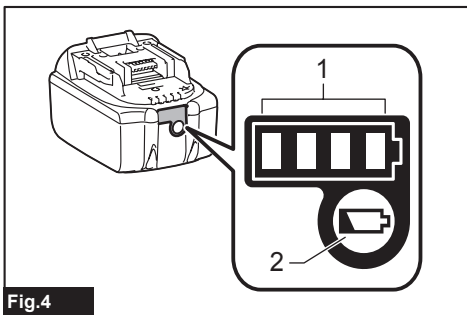


Fig.4

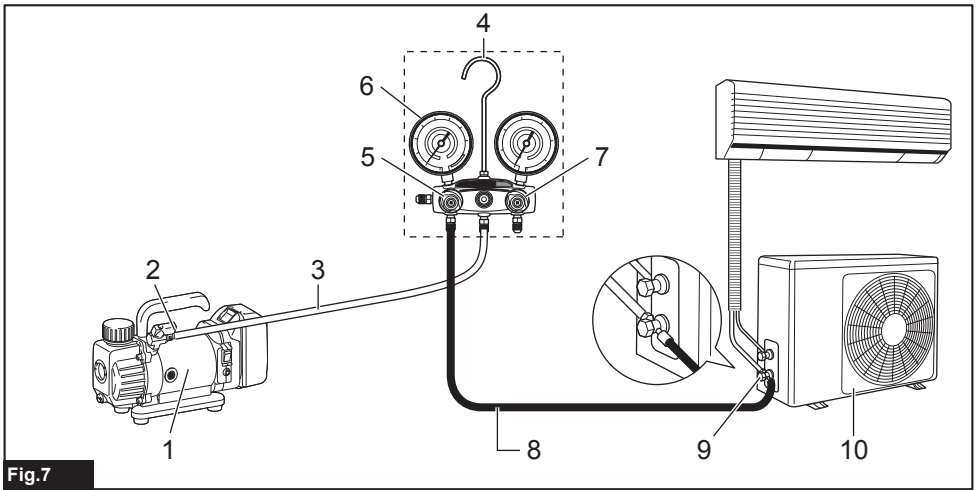


Fig.7

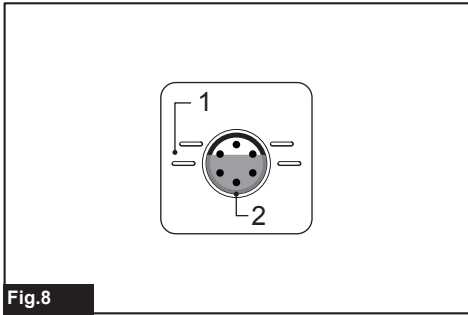


Fig.8

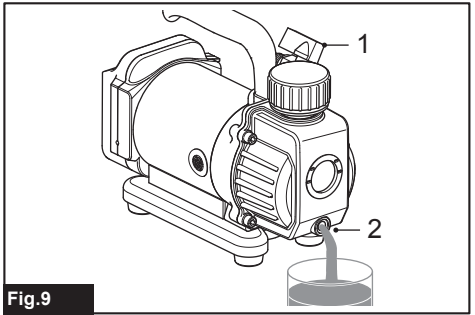


Fig.9

SPECIFICATIONS

Model:	DVP180
Battery cartridge (capacity)	BL 1860B (6.0 Ah) BL 1850 / BL 1850B (5.0 Ah) BL 1840 / BL 1840B (4.0 Ah) BL 1830 / BL 1830B (3.0 Ah)
Rated voltage	D.C. 18 V
Pump	Single stage rotary pump
Free air displacement	50 L/min
Ultimate vacuum	20 Pa
Oil capacity	100 – 115 ml
Intake	5/16" flare male
Dimensions	263 mm (L) × 93 mm (W) × 172 mm (H)
Net weight (with the BL1850 battery)	3.5 kg

- Due to our continuing program of research and development, the specifications herein are subject to change without notice.
- Specifications and battery cartridge may differ from country to country.
- Weight, with battery cartridge, according to EPTA-Procedure 01/2003

Vacuum pump for air evacuation of closed systems (air conditioners, tanks, etc).

This equipment is specially designed for HVAC&R systems.

The single stage of these pumps make it feasible to achieve the final vacuum level requested.

Big sight glass and low oil level design avoids running without oil and ensures reliable usage.

Besides, the check valve avoids any oil mixture due to the backflow after a power interruption or any other process interruption.

Symbols

The following show the symbols used for the equipment. Be sure that you understand their meaning before use.



- Read instruction manual.



- **Warning: hot surface!**
Do not touch around this symbol. Touching the surface may cause burns or injuries.



- Only for EU countries
Do not dispose of electric equipment or battery pack together with household waste material!

In observance of the European Directives, on Waste Electric and Electronic Equipment and Batteries and Accumulators and Waste Batteries and Accumulators and their implementation in accordance with national laws, electric equipment and batteries and battery pack(s) that have reached the end of their life must be collected separately and returned to an environmentally compatible recycling facility.

EC DECLARATION OF CONFORMITY

For European countries only

The EC declaration of conformity is included as Annex A to this instruction manual.

General power tool safety warnings

⚠ WARNING: Read all safety warnings and all instructions. Failure to follow the warnings and instructions may result in electric shock, fire and/or serious injury.

Save all warnings and instructions for future reference.

The term “power tool” in the warnings refers to your mains-operated (corded) power tool or battery-operated (cordless) power tool.

Work area safety

1. **Keep work area clean and well lit.** Cluttered or dark areas invite accidents.
2. **Do not operate power tools in explosive atmospheres, such as in the presence of flammable liquids, gases or dust.** Power tools create sparks which may ignite the dust or fumes.
3. **Keep children and bystanders away while operating a power tool.** Distractions can cause you to lose control.

Electrical safety

4. **Power tool plugs must match the outlet. Never modify the plug in any way. Do not use any adapter plugs with earthed (grounded) power tools.** Unmodified plugs and matching outlets will reduce risk of electric shock.
5. **Avoid body contact with earthed or grounded surfaces such as pipes, radiators, ranges and refrigerators.** There is an increased risk of electric shock if your body is earthed or grounded.
6. **Do not expose power tools to rain or wet conditions.** Water entering a power tool will increase the risk of electric shock.
7. **Do not abuse the cord. Never use the cord for carrying, pulling or unplugging the power tool. Keep cord away from heat, oil, sharp edges or moving parts.** Damaged or entangled cords increase the risk of electric shock.
8. **When operating a power tool outdoors, use an extension cord suitable for outdoor use.** Use of a cord suitable for outdoor use reduces the risk of electric shock.
9. **If operating a power tool in a damp location is unavoidable, use a ground fault circuit interrupter (GFCI) protected supply.** Use of an GFCI reduces the risk of electric shock.

Personal safety

10. **Stay alert, watch what you are doing and use common sense when operating a power tool. Do not use a power tool while you are tired or under the influence of drugs, alcohol or medication.** A moment of inattention while operating power tools may result in serious personal injury.
11. **Use personal protective equipment. Always wear eye protection.** Protective equipment such as dust mask, non-skid safety shoes, hard hat, or hearing protection used for appropriate conditions will reduce personal injuries.
12. **Prevent unintentional starting. Ensure the switch is in the off-position before connecting to power source and/or battery pack, picking up or carrying the tool.** Carrying power tools with your finger on the switch or energising power tools that have the switch on invites accidents.
13. **Remove any adjusting key or wrench before turning the power tool on.** A wrench or a key left attached to a rotating part of the power tool may result in personal injury.
14. **Do not overreach. Keep proper footing and balance at all times.** This enables better control of the power tool in unexpected situations.
15. **Dress properly. Do not wear loose clothing or jewellery. Keep your hair, clothing, and gloves away from moving parts.** Loose clothes, jewellery or long hair can be caught in moving parts.
16. **If devices are provided for the connection of dust extraction and collection facilities, ensure these are connected and properly used.** Use of dust collection can reduce dust-related hazards.

Power tool use and care

17. **Do not force the power tool. Use the correct power tool for your application.** The correct power tool will do the job better and safer at the rate for which it was designed.

18. **Do not use the power tool if the switch does not turn it on and off.** Any power tool that cannot be controlled with the switch is dangerous and must be repaired.
19. **Disconnect the plug from the power source and/or the battery pack from the power tool before making any adjustments, changing accessories, or storing power tools.** Such preventive safety measures reduce the risk of starting the power tool accidentally.
20. **Store idle power tools out of the reach of children and do not allow persons unfamiliar with the power tool or these instructions to operate the power tool.** Power tools are dangerous in the hands of untrained users.
21. **Maintain power tools. Check for misalignment or binding of moving parts, breakage of parts and any other condition that may affect the power tool's operation. If damaged, have the power tool repaired before use.** Many accidents are caused by poorly maintained power tools.
22. **Keep cutting tools sharp and clean.** Properly maintained cutting tools with sharp cutting edges are less likely to bind and are easier to control.
23. **Use the power tool, accessories and tool bits etc. in accordance with these instructions, taking into account the working conditions and the work to be performed.** Use of the power tool for operations different from those intended could result in a hazardous situation.

Battery tool use and care

24. **Recharge only with the charger specified by the manufacturer.** A charger that is suitable for one type of battery pack may create a risk of fire when used with another battery pack.
25. **Use power tools only with specifically designated battery packs.** Use of any other battery packs may create a risk of injury and fire.
26. **When battery pack is not in use, keep it away from other metal objects, like paper clips, coins, keys, nails, screws or other small metal objects, that can make a connection from one terminal to another.** Shorting the battery terminals together may cause burns or a fire.
27. **Under abusive conditions, liquid may be ejected from the battery; avoid contact. If contact accidentally occurs, flush with water. If liquid contacts eyes, additionally seek medical help.** Liquid ejected from the battery may cause irritation or burns.

Service

28. **Have your power tool serviced by a qualified repair person using only identical replacement parts.** This will ensure that the safety of the power tool is maintained.
29. **Follow instruction for lubricating and changing accessories.**
30. **Keep handles dry, clean and free from oil and grease.**

Cordless vacuum pump safety warnings

Read carefully instructions in the literature, strict observance of procedures is main condition for operator safety.

1. The vacuum pump is a machine used to evacuate refrigeration and air conditioning equipment and recovery vessels. Do not use it for other applications. Doing so may result in accidents.
2. Always inspect the vacuum pump for oil leaks before use. Failure to do so may result in fire.
3. Check the oil level and condition (deterioration, etc.) to enable safe and efficient work.
4. Wear safety glasses and gloves when handling refrigerant; avoid contact with refrigerant, blindness and injuries may result to operator.
5. Adequate performance may not be obtained in extremely hot or cold environments.

SAVE THESE INSTRUCTIONS.

⚠WARNING: DO NOT let comfort or familiarity with product (gained from repeated use) replace strict adherence to safety rules for the subject product.

MISUSE or failure to follow the safety rules stated in this instruction manual may cause serious personal injury.

Important safety instructions for battery cartridge

1. Before using battery cartridge, read all instructions and cautionary markings on (1) battery charger, (2) battery, and (3) product using battery.
2. Do not disassemble battery cartridge.
3. If operating time has become excessively shorter, stop operating immediately. It may result in a risk of overheating, possible burns and even an explosion.
4. If electrolyte gets into your eyes, rinse them out with clear water and seek medical attention right away. It may result in loss of your eyesight.
5. Do not short the battery cartridge:
 - (1) Do not touch the terminals with any conductive material.
 - (2) Avoid storing battery cartridge in a container with other metal objects such as nails, coins, etc.
 - (3) Do not expose battery cartridge to water or rain.A battery short can cause a large current flow, overheating, possible burns and even a breakdown.
6. Do not store the tool and battery cartridge in locations where the temperature may reach or exceed 50°C (122°F).
7. Do not incinerate the battery cartridge even if it is severely damaged or is completely worn out. The battery cartridge can explode in a fire.

8. Be careful not to drop or strike battery.
9. Do not use a damaged battery.
10. Follow your local regulations relating to disposal of battery.

SAVE THESE INSTRUCTIONS.

⚠CAUTION: Only use genuine Makita batteries. Use of non-genuine Makita batteries, or batteries that have been altered, may result in the battery bursting causing fires, personal injury and damage. It will also void the Makita warranty for the Makita tool and charger.

Tips for maintaining maximum battery life

1. Charge the battery cartridge before completely discharged. Always stop tool operation and charge the battery cartridge when you notice less tool power.
2. Never recharge a fully charged battery cartridge. Overcharging shortens the battery service life.
3. Charge the battery cartridge with room temperature at 10°C - 40°C (50°F - 104°F). Let a hot battery cartridge cool down before charging it.
4. Charge the battery cartridge if you do not use it for a long period (more than six months).

PARTS DESCRIPTION

► Fig.1:

- | | |
|--------------------------|-----------------|
| 1. Sight glass | 7. Power switch |
| 2. Oil fill/Exhaust cap | 8. LED lamp |
| 3. Intake shut-off valve | 9. Motor |
| 4. Handle | 10. Base |
| 5. Battery holder | 11. Oil tank |
| 6. Battery | 12. Drain plug |

FUNCTIONAL DESCRIPTION

⚠CAUTION: Always be sure that the pump is switched off and the battery cartridge is removed before adjusting or checking function on the pump.

Installing or removing battery cartridge

⚠CAUTION: Always switch off the pump before installing or removing of the battery cartridge.

⚠CAUTION: Hold the pump and the battery cartridge firmly when installing or removing battery cartridge. Failure to hold the pump and the battery cartridge firmly may cause them to slip off your hands and result in damage to the pump and battery cartridge and a personal injury.

► Fig.2:

1. Red indicator
2. Button
3. Battery cartridge

To remove the battery cartridge, slide it from the pump while sliding the button on the front of the cartridge.

To install the battery cartridge, align the tongue on the battery cartridge with the groove in the housing and slip it into place. Insert it all the way until it locks in place with a little click. If you can see the red indicator on the upper side of the button, it is not locked completely.

CAUTION: Always install the battery cartridge fully until the red indicator cannot be seen. If not, it may accidentally fall out of the pump, causing injury to you or someone around you.

CAUTION: Do not install the battery cartridge forcibly. If the cartridge does not slide in easily, it is not being inserted correctly.

Indicator lamps			Remaining capacity
Lighted	Off	Blinking	
			75% to 100%
			50% to 75%
			25% to 50%
			0% to 25%
			Charge the battery.
			The battery may have malfunctioned.

NOTE: Depending on the conditions of use and the ambient temperature, the indication may differ slightly from the actual capacity.

Battery protection system

► Fig.3:

1. Star marking

The pump is equipped with a battery protection system. This system automatically cuts off power to the motor to extend battery life.

The pump will automatically stop during operation if the pump and/or battery are placed under one of the following conditions:

Overloaded:

The pump is operated in a manner that causes it to draw an abnormally high current.

In this situation, turn the pump off and stop the application that caused the pump to become overloaded. Then turn the pump on to restart.

If the pump does not start, the battery is overheated.

In this situation, let the battery cool before turning the pump on again.

Low battery voltage:

The remaining battery capacity is too low and the pump will not operate. In this situation, remove and recharge the battery.

NOTE: The overheat protection works only with a battery cartridge with a star marking.

Indicating the remaining battery capacity

Only for battery cartridges with "B" at the end of the model number

► Fig.4:

1. Indicator lamps
2. Check button

Press the check button on the battery cartridge to indicate the remaining battery capacity. The indicator lamps light up for few seconds.

OPERATION

The pump does not contain oil when newly purchased. Refer to "Adding oil" and add oil.

WARNING: Operating the pump in the condition without oil added will damage the pump. In addition, the oil tank will become hot and may result in burns or other accidents.

Adding oil

► Fig.5:

1. Oil fill/Exhaust cap
2. Level line
3. Sight glass
4. Oil tank

1. Remove the oil fill/exhaust cap and add the supplied oil via the filler port.

NOTICE: Always use Makita genuine oil in order to maintain pump performance.

2. Add oil until the oil level is between the upper and lower level lines of the sight glass.

NOTICE: The oil level is important. Operating the pump in the condition with the oil level not between the upper and lower level lines may result in malfunction.

Checking performance

► Fig.6:

1. Intake
2. Low side valve
3. Vacuum pump
4. Manifold

1. Connect the low side valve of the manifold and the intake port of the pump with a charging hose.
2. Close the low side valve of the manifold.
3. Open the intake shut-off valve.

4. Open the inlet valve.
5. Turn the pump on. If the pressure of the manifold indicates a vacuum of -0.09 to -0.1 MPa within 30 seconds, the pump is operating properly.
6. Turn the pump off.

Operation

► Fig.7:

- | | |
|---------------------------|-------------------------------------|
| 1. Vacuum pump | 6. Low pressure gauge |
| 2. Intake shut-off valve | 7. High side valve |
| 3. Charging hose (yellow) | 8. Charging hose (blue) |
| 4. Manifold | 9. Service port (Low pressure side) |
| 5. Low side valve | 10. Outdoor unit |
1. Connect the pump, manifold and outdoor unit with hoses.

NOTE: When the size of the service port on the unit is 1/4", use the supplied different diameter adapter.

2. Check that the high side and low side valves of the manifold are closed.
3. Install the battery to the pump. (See "Installing or removing battery cartridge" for the installation method.)
4. Turn the pump on. The LED lamp (green) lights up.
5. Open the intake shut-off valve of the pump and the low side valve of the manifold.

⚠WARNING: The pump becomes hot during operation and immediately after stopping. Do not touch the pump while it is hot. Doing so may result in burns or other accidents.

NOTE: The motor may not operate when it is cold (5°C or less). In these cases, bring the pump indoors and allow it to warm up.

6. When the specified vacuum (refer to the manual provided by the air conditioner manufacturer) is reached, close the low side valve of the manifold.
7. Close the intake shut-off valve and turn the pump off.

Airtightness test

There are no leaks if the pressure of the manifold does not rise for 5 minutes or more after leaving the pump and manifold.

NOTE: When the battery remaining capacity becomes low, LED lamp goes out and at the same time a long alarm beep start sounding. About two minutes later the motor stops. And then alarm beep changes into a repeated short-time interval beeping which notifies the motor stop and 30 seconds later the beeping stops. However, do not wait until the motor stops (or alarm beep changes to a short-time beeping), and instead close the inlet valve of the pump and the low pressure side valve of manifold.

Check that the pump is turned off, remove the battery, and charge it or replace it with a spare battery.

- Refer to the following table for the battery operation times.

Operation times (guideline)

Battery	Operation times
BL1860B	75 min
BL1850 / BL1850B	50 min
BL1840 / BL1840B	40 min
BL1830 / BL1830B	30 min

- After finishing work, remove the battery and attach the supplied cover.

NOTICE: When transporting, operating and storing the pump, never place it on its side or upside down. This may cause oil leakage from the oil filler/vent cap.

Transport and storage

- Always drain your vacuum pump of all fluids before shipping to prevent the damage of the container.
- Always cover the intake port with cap to keep any dust from entering the pump.
- Be sure that the pump is kept in a horizontal position.
- The pump is stored in indoor ambient temperature 5°C – 40°C .

MAINTENANCE

⚠CAUTION: Always be sure that the pump is switched off and the battery cartridge is removed before attempting to perform inspection or maintenance.

NOTICE: Never use gasoline, benzine, thinner, alcohol or the like. Discoloration, deformation or cracks may result.

To maintain product SAFETY and RELIABILITY, repairs, any other maintenance or adjustment should be performed by Makita Authorized or Factory Service Centers, always using Makita replacement parts.

Stop the pump:

To make pump life longer and smooth start-up, these procedures to shut off pump should be followed.

1. Close the manifold valve between the pump and the system.
2. Remove the hose from the pump inlet.

Cover the inlet port opening to prevent any contamination or foreign particles from entering the port.

Checking the oil

► Fig.8:

1. Level line
2. Sight glass

- Always check the oil level and condition (deterioration, etc.) before using the pump.

NOTE: Add oil until the oil level is between the upper and lower level lines of the sight glass.

Replacing the oil

► Fig.9:

1. Intake shut-off valve 2. Drain plug
1. Open the intake shut-off valve.
2. Operate the pump for 1 or 2 minutes to warm up the oil.
3. Turn the pump off.
4. Remove the drain plug and drain the oil.
5. Refer to "Adding oil" and add new oil.
- Dispose of the old oil in accordance with local regulations.

NOTE: It is recommended to change the oil after 20 hours of usage to protect pump components from contaminants pulled into the pump.

When vacuuming on old refrigeration systems, change the oil after every usage.

Vacuum pump oil:

The condition and type of oil used in any high performance vacuum pump are extremely important in determining the ultimate attainable vacuum. It is recommended to use the High Performance Vacuum Pump Oil, which is specifically blended to maintain maximum viscosity at normal temperatures and to improve start up under cold weather.

Cleaning the pump

1. When the oil is extremely dirty, replace the oil and then operate the pump for 3 to 5 minutes.
2. Drain the oil and add new oil.
If the drained oil is still dirty, repeat this cleaning process two or three times.

Troubleshooting

Condition	Possible Cause	Solution
The pump will not start.	<ol style="list-style-type: none"> 1. The battery is not set properly. 2. The ambient temperature is too low. 3. Poor wiring connection. 4. The pump is locked. 5. Motor failure. 	<ol style="list-style-type: none"> 1. Set the battery properly. 2. Warm up the pump in doors. 3. Repair. 4. Repair. 5. Repair.
The pump will not enough vacuum.	<ol style="list-style-type: none"> 1. Leaking from the system. 2. Insufficient oil. 3. Dirty oil. 4. Pump parts are worn out. 5. Damaged fittings, gaskets and seal. 6. Motor failure. 	<ol style="list-style-type: none"> 1. Repair the system. 2. Refill or change oil. 3. Clean reservoir and change oil. 4. Repair. 5. Repair. 6. Repair.
Oil leakage.	<ol style="list-style-type: none"> 1. Damaged gaskets and shaft seals. 2. Damaged O-ring of oil drain plug. 3. Oil drain plug is loose. 	<ol style="list-style-type: none"> 1. Repair. 2. Replace O-ring. 3. Tighten Oil drain plug.
Abnormal noise.	<ol style="list-style-type: none"> 1. Motor failure. 2. Bearing failure. 3. Loose bolts. 4. Pump failure. 5. Air is sucked. 	<ol style="list-style-type: none"> 1. Repair. 2. Repair. 3. Tighten bolts. 4. Repair. 5. Tighten caps and connections. Replace gaskets and O-rings. Replace fittings or re-seal them.

Remark: If these procedures do not solve the problem, contact with your nearest Makita authorized distributor or send your pump to our service center.

OPTIONAL ACCESSORIES

⚠ CAUTION: These accessories or attachments are recommended for use with your Makita tool specified in this manual. The use of any other accessories or attachments might present a risk of injury to persons. Only use accessory or attachment for its stated purpose.

If you need any assistance for more details regarding these accessories, ask your local Makita Service Center.

- Makita genuine batteries and chargers
- Vacuum pump oil 150 ml
- Vacuum pump aluminum case
- Vacuum pump hose
- Vacuum pump valve with gauge

NOTE: Some items in the list may be included in the tool package as standard accessories. They may differ from country to country.

TECHNISCHE DATEN

Modell:	DVP180
Akku (Kapazität)	BL 1860B (6,0 Ah) BL 1850 / BL 1850B (5,0 Ah) BL 1840 / BL 1840B (4,0 Ah) BL 1830 / BL 1830B (3,0 Ah)
Nennspannung	DC 18 V
Pumpe	Einstufen-Rotationspumpe
Freie Luftverdrängung	50 L/min
Höchster Unterdruck	20 Pa
Ölmenge	100 – 115 ml
Einlass	5/16" Bördelstutzen
Abmessungen	263 mm (L) × 93 mm (B) × 172 mm (H)
Nettogewicht (mit dem Akku BL1850)	3,5 kg

- Wir behalten uns vor, Änderungen der technischen Daten im Zuge der Entwicklung und des technischen Fortschritts ohne vorherige Ankündigung vorzunehmen.
- Die technischen Daten und der Akku können von Land zu Land unterschiedlich sein.
- Gewicht mit Akku nach EPTA-Verfahren 01/2003

Vakuumpumpe für Luftabsaugung geschlossener Systeme (Klimaanlagen, Tanks usw.).

Dieses Gerät ist speziell für HVAC&R-Systeme ausgelegt.

Die einfache Stufe dieser Pumpen macht es möglich, das angeforderte endgültige Vakuumniveau zu erreichen.

Ein großes Schauglas und ein niedriges Ölstanddesign vermeiden Betrieb ohne Öl und gewährleisten zuverlässige Benutzung.

Außerdem vermeidet das Rückschlagventil Ölvermischung aufgrund von Rückfluss nach einem Stromausfall oder jeder anderen Prozessunterbrechung.

Symbole

Nachfolgend werden die für das Gerät verwendeten Symbole beschrieben.

Machen Sie sich vor der Benutzung mit ihrer Bedeutung vertraut.



- Betriebsanleitung lesen.



- Warnung: heiße Oberfläche!
Nicht den Bereich um dieses Symbol berühren.
Berühren der Oberfläche kann Verbrennungen oder Verletzungen verursachen.



- Nur für EU-Länder
Entsorgen Sie Elektrogeräte oder Akkus nicht zusammen mit dem Hausmüll!
Unter Einhaltung der Europäischen Richtlinie über Elektro- und Elektronik-Altgeräte, Batterien, Akkus sowie verbrauchte Batterien und Akkus und ihre Umsetzung gemäß den Landesgesetzen müssen Elektrogeräte und Batterien bzw. Akkus, die das Ende ihrer Lebensdauer erreicht haben, getrennt gesammelt und einer umweltgerechten Recycling-Einrichtung zugeführt werden.

EG-KONFORMITÄTSERKLÄRUNG

Nur für europäische Länder

Die EG-Konformitätserklärung ist als Anhang A in dieser Bedienungsanleitung enthalten.

Allgemeine Sicherheitswarnungen für Elektrowerkzeuge

⚠️ WARNUNG: Lesen Sie alle Sicherheitswarnungen und Anweisungen durch. Eine Missachtung der Warnungen und Anweisungen kann zu einem elektrischen Schlag, Brand und/oder schweren Verletzungen führen.

Bewahren Sie alle Warnungen und Anweisungen für spätere Bezugnahme auf.

Der Ausdruck „Elektrowerkzeug“ in den Warnhinweisen bezieht sich auf Ihr mit Netzstrom (mit Kabel) oder Akku (ohne Kabel) betriebenes Elektrowerkzeug.

Sicherheit im Arbeitsbereich

1. **Halten Sie den Arbeitsbereich sauber und gut beleuchtet.** Unaufgeräumte oder dunkle Bereiche führen zu Unfällen.

2. **Betreiben Sie Elektrowerkzeuge nicht in explosiven Umgebungen, wie z. B. in Gegenwart von brennbaren Flüssigkeiten, Gasen oder Staub.** Elektrowerkzeuge erzeugen Funken, die den Staub oder die Dämpfe entzünden können.
3. **Halten Sie Kinder und Umstehende während der Benutzung eines Elektrowerkzeugs vom Arbeitsbereich fern.** Ablenkungen können dazu führen, dass Sie die Kontrolle verlieren.

Elektrische Sicherheit

4. **Der Stecker des Elektrowerkzeugs muss an die Steckdose angepasst sein. Der Stecker darf auf keinen Fall in irgendeiner Form abgeändert werden. Verwenden Sie keine Adapterstecker mit geerdeten Elektrowerkzeugen.** Vorschriftsmäßige Stecker und passende Steckdosen reduzieren die Stromschlaggefahr.
5. **Vermeiden Sie Körperkontakt mit geerdeten Gegenständen (z. B. Rohre, Kühler, Herde, Kühlschränke).** Es besteht erhöhte Stromschlaggefahr, falls Ihr Körper Erdkontakt hat.
6. **Setzen Sie Elektrowerkzeuge keinem Regen oder Nässe aus.** Wasser, das in ein Elektrowerkzeug eindringt, erhöht die Stromschlaggefahr.
7. **Behandeln Sie das Kabel sorgfältig. Benutzen Sie das Kabel niemals zum Tragen, Ziehen oder Abtrennen des Elektrowerkzeugs. Halten Sie das Kabel von Hitze, Öl, scharfen Kanten oder beweglichen Teilen fern.** Ein beschädigtes oder verheddertes Kabel erhöht die Stromschlaggefahr.
8. **Wenn Sie ein Elektrowerkzeug im Freien betreiben, verwenden Sie ein für Freiluftbenutzung geeignetes Verlängerungskabel.** Die Verwendung eines für Freiluftbenutzung geeigneten Kabels reduziert die Stromschlaggefahr.
9. **Lässt sich der Einsatz eines Elektrowerkzeugs in feuchter Umgebung nicht vermeiden, verwenden Sie eine Stromquelle, die mit einem Fehlerstrom-Schutzschalter (GFCI) geschützt ist.** Der GFCI verringert die Gefahr eines elektrischen Schlags.

Persönliche Sicherheit

10. **Bleiben Sie wachsam, und lassen Sie beim Umgang mit einem Elektrowerkzeug Vorsicht und gesunden Menschenverstand walten. Benutzen Sie keine Elektrowerkzeuge, wenn Sie müde sind oder unter dem Einfluss von Drogen, Alkohol oder Medikamenten stehen.** Ein Augenblick der Unachtsamkeit während der Benutzung von Elektrowerkzeugen kann zu schweren Verletzungen führen.
11. **Benutzen Sie persönliche Schutzausrüstung. Tragen Sie stets einen Augenschutz.** Sachgemäßer Gebrauch von Schutzausrüstung (z. B. Staubmaske, rutschfeste Sicherheitsschuhe, Helm und Gehörschutz) trägt zu einer Reduzierung der Verletzungsgefahr bei.
12. **Unbeabsichtigtes Einschalten verhindern.** Vergewissern Sie sich, dass sich der Ein-Aus-Schalter in der Aus-Stellung befindet, bevor Sie die Stromquelle und/oder den Akku anschließen bzw. das Werkzeug aufheben oder tragen. Das Tragen von Elektrowerkzeugen mit dem Finger am Ein-Aus-Schalter oder das Anschließen bei eingeschaltetem Ein-Aus-Schalter führt zu Unfällen.
13. **Etwaige Einstell- oder Schraubenschlüssel sind vor dem Einschalten des Elektrowerkzeugs zu entfernen.** Ein Schrauben- oder Einstellschlüssel, der auf einem rotierenden Teil des Elektrowerkzeugs stecken gelassen wird, kann zu einer Verletzung führen.
14. **Beugen Sie sich beim Betrieb nicht zu weit vor. Achten Sie bei der Arbeit stets auf sicheren Stand.** Sie haben dann in unerwarteten Situationen eine bessere Kontrolle über das Elektrowerkzeug.
15. **Zweckmäßige Kleidung tragen. Tragen Sie keine lose Kleidung oder Schmuck. Halten Sie Haare, Kleidung und Handschuhe von beweglichen Teilen fern.** Lose Kleidung, Schmuck oder langes Haar kann sich in beweglichen Teilen verfangen.
16. **Wenn Anschlussvorrichtungen für Staubabsaug- und Staubsammelgeräte vorhanden sind, sollten diese montiert und sachgerecht verwendet werden.** Durch Staubabsaugung können staubbezogene Gefahren reduziert werden.

Gebrauch und Pflege von Elektrowerkzeugen

17. **Setzen Sie Elektrowerkzeuge keiner Gewaltanwendung aus. Verwenden Sie das korrekte Elektrowerkzeug für Ihre Anwendung.** Ein korrektes Elektrowerkzeug verrichtet die anstehende Arbeit bei sachgemäßer Handhabung besser und sicherer.
18. **Benutzen Sie das Elektrowerkzeug nicht, wenn es sich nicht mit dem Ein-Aus-Schalter ein- und ausschalten lässt.** Ein Elektrowerkzeug, das nicht auf die Schalterbetätigung reagiert, ist gefährlich und muss repariert werden.
19. **Trennen Sie den Stecker von der Stromquelle und/oder den Akku vom Elektrowerkzeug, bevor Sie Einstellungen durchführen, Zubehör auswechseln oder das Elektrowerkzeug lagern.** Solche vorbeugenden Sicherheitsmaßnahmen reduzieren die Gefahr eines versehentlichen Einschaltens des Elektrowerkzeugs.
20. **Bewahren Sie benutzte Elektrowerkzeuge außer Reichweite von Kindern auf, und lassen Sie nicht zu, dass Personen, die nicht mit dem Elektrowerkzeug oder diesen Anweisungen vertraut sind, das Elektrowerkzeug benutzen.** Elektrowerkzeuge in den Händen unerfahrener Benutzer sind gefährlich.
21. **Pflegen Sie Elektrowerkzeuge. Überprüfen Sie Elektrowerkzeuge auf Fehlaustrichtung oder Klemmen beweglicher Teile, Beschädigung von Teilen und andere Zustände, die ihren Betrieb beeinträchtigen können. Lassen Sie das Elektrowerkzeug bei Beschädigung vor Gebrauch reparieren.** Viele Unfälle werden durch schlecht gewartete Elektrowerkzeuge verursacht.

22. **Halten Sie Schneidwerkzeuge scharf und sauber.** Gut instand gehaltene Schneidwerkzeuge mit scharfen Schneiden sind weniger anfällig für Klemmen und lassen sich leichter handhaben.
23. **Benutzen Sie das Elektrowerkzeug, das Zubehör und die Werkzeugeinsätze usw. gemäß diesen Anweisungen unter Berücksichtigung der Arbeitsbedingungen und der durchzuführenden Arbeit.** Unsachgemäßer Gebrauch des Elektrowerkzeugs kann zu einer Gefahrensituation führen.
3. **Überprüfen Sie den Ölstand und den Ölzustand (Verschlechterung usw.), um sichere und effiziente Arbeit zu ermöglichen.**
4. **Tragen Sie eine Schutzbrille und Handschuhe beim Umgang mit Kältemittel; vermeiden Sie Kontakt mit Kältemittel.** Anderenfalls kann es zu Erblindung und Verletzungen des Bedieners kommen.
5. **In äußerst heißen oder kalten Umgebungen wird u. U. keine angemessene Leistung erhalten.**

Gebrauch und Pflege von Akkuwerkzeugen

24. **Laden Sie den Akku nur mit dem vom Hersteller vorgeschriebenen Ladegerät.** Ein Ladegerät, das für einen Akkutyp geeignet ist, kann bei Verwendung mit einem anderen Akku eine Brandgefahr darstellen.
25. **Benutzen Sie Elektrowerkzeuge nur mit den ausdrücklich vorgeschriebenen Akkus.** Bei Verwendung irgendwelcher anderer Akkus besteht Verletzungs- und Brandgefahr.
26. **Bewahren Sie den Akku bei Nichtgebrauch nicht zusammen mit Metallgegenständen, wie Büroklammern, Münzen, Schlüsseln, Nägeln, Schrauben, und anderen kleinen Metallteilen auf, welche die Kontakte kurzschließen können.** Kurzschließen der Akkukontakte kann Verbrennungen oder einen Brand verursachen.
27. **Bei Missbrauch kann Flüssigkeit aus dem Akku austreten.** Vermeiden Sie Kontakt mit dieser Flüssigkeit. Falls Sie versehentlich mit der Flüssigkeit in Berührung kommen, spülen Sie die betroffenen Stellen mit Wasser ab. Falls die Flüssigkeit in die Augen gelangt, suchen Sie zusätzlich ärztliche Hilfe auf. Die vom Akku austretende Flüssigkeit kann Hautreizungen oder Verätzungen verursachen.

Wartung

28. **Lassen Sie Ihr Elektrowerkzeug nur unter Verwendung identischer Ersatzteile von einem qualifizierten Wartungstechniker warten.** Dadurch wird die Aufrechterhaltung der Sicherheit des Elektrowerkzeugs gewährleistet.
29. **Befolgen Sie die Anweisungen für die Schmierung und den Austausch von Zubehör.**
30. **Halten Sie Griffe trocken, sauber und frei von Öl und Fett.**

Sicherheitswarnungen für Akku-Vakuumpumpe

Lesen Sie die Anweisungen in der Dokumentation aufmerksam durch. Strikte Einhaltung der Verfahren ist Hauptbedingung für Bedienersicherheit.

1. **Die Vakuumpumpe ist eine Maschine, die dazu verwendet wird, Kühlanlagen, Klimaanlage und Auffangbehälter zu entleeren. Benutzen Sie sie nicht für andere Anwendungen.** Anderenfalls kann es zu Unfällen kommen.
2. **Untersuchen Sie die Vakuumpumpe vor dem Gebrauch immer auf Öllecks.** Anderenfalls kann es zu einem Brand kommen.

DIESE ANWEISUNGEN AUFBEWAHREN.

⚠️ WARNUNG: Lassen Sie sich NICHT durch Bequemlichkeit oder Vertrautheit mit dem Produkt (durch wiederholten Gebrauch erworben) von der strikten Einhaltung der Sicherheitsregeln für das vorliegende Produkt abhalten.

MISSBRAUCH oder Missachtung der Sicherheitsvorschriften in dieser Anleitung können schwere Personenschäden verursachen.

Wichtige Sicherheitsanweisungen für Akku

1. **Lesen Sie vor der Benutzung des Akkus alle Anweisungen und Warnhinweise, die an (1) Ladegerät, (2) Akku und (3) Akkuwerkzeug angebracht sind.**
 2. **Unterlassen Sie Zerlegen des Akkus.**
 3. **Falls die Betriebszeit beträchtlich kürzer geworden ist, stellen Sie den Betrieb sofort ein.** Anderenfalls besteht die Gefahr von Überhitzung, möglichen Verbrennungen und sogar einer Explosion.
 4. **Falls Elektrolyt in Ihre Augen gelangt, waschen Sie sie mit sauberem Wasser aus, und suchen Sie unverzüglich ärztliche Hilfe auf.** Anderenfalls können Sie erblinden.
 5. **Der Akku darf nicht kurzgeschlossen werden:**
 - (1) **Die Kontakte dürfen nicht mit leitfähigem Material berührt werden.**
 - (2) **Vermeiden Sie die Lagerung des Akkus in einem Behälter zusammen mit anderen Metallgegenständen, wie z. B. Nägeln, Münzen usw.**
 - (3) **Setzen Sie den Akku weder Wasser noch Regen aus.**
- Ein Kurzschluss des Akkus kann einen starken Stromfluss, Überhitzung, mögliche Verbrennungen und sogar einen Ausfall verursachen.
6. **Lagern Sie das Werkzeug und den Akku nicht an Orten, an denen die Temperatur 50°C erreichen oder überschreiten kann.**
 7. **Versuchen Sie niemals, den Akku zu verbrennen, selbst wenn er stark beschädigt oder vollkommen verbraucht ist.** Der Akku kann im Feuer explodieren.
 8. **Achten Sie darauf, dass der Akku nicht fallen gelassen oder Stößen ausgesetzt wird.**

9. Benutzen Sie keine beschädigten Akkus.
10. Befolgen Sie die örtlichen Bestimmungen bezüglich der Entsorgung von Akkus.

DIESE ANWEISUNGEN AUFBEWAHREN.

⚠VORSICHT: Verwenden Sie nur Original-Makita-Akkus. Die Verwendung von Nicht-Original-Makita-Akkus oder von Akkus, die abgeändert worden sind, kann zum Bersten des Akkus und daraus resultierenden Bränden, Personenschäden und Beschädigung führen. Außerdem wird dadurch die Makita-Garantie für das Makita-Werkzeug und -Ladegerät ungültig.

Hinweise zur Aufrechterhaltung der maximalen Akku-Nutzungsdauer

1. Laden Sie den Akku, bevor er vollkommen erschöpft ist. Schalten Sie das Werkzeug stets aus, und laden Sie den Akku, wenn Sie ein Nachlassen der Werkzeulleistung feststellen.
2. Unterlassen Sie das erneute Laden eines voll aufgeladenen Akkus. Überladen führt zu einer Verkürzung der Nutzungsdauer des Akkus.
3. Laden Sie den Akku bei Raumtemperatur zwischen 10 – 40°C. Lassen Sie einen heißen Akku abkühlen, bevor Sie ihn laden.
4. Der Akku muss geladen werden, wenn er lange Zeit (länger als sechs Monate) nicht benutzt wird.

BESCHREIBUNG DER TEILE

► Abb. 1:

- | | |
|----------------------------|--------------------|
| 1. Schauglas | 7. Netzschalter |
| 2. Öleinfüll-/Auslasskappe | 8. LED-Lampe |
| 3. Ansaug-Absperrventil | 9. Motor |
| 4. Handgriff | 10. Sockel |
| 5. Akkuhalter | 11. Öltank |
| 6. Akku | 12. Ablassschraube |

FUNKTIONSBESCHREIBUNG

⚠VORSICHT: Vergewissern Sie sich vor der Durchführung von Einstellungen oder Funktionsprüfungen der Pumpe stets, dass die Pumpe ausgeschaltet und der Akku abgenommen ist.

Anbringen und Abnehmen des Akkus

⚠VORSICHT: Schalten Sie die Pumpe stets aus, bevor Sie die Akkus anbringen oder abnehmen.

⚠VORSICHT: Halten Sie die Pumpe und den Akku beim Anbringen oder Abnehmen des Akkus sicher fest. Wenn Sie die Pumpe und den Akku nicht sicher festhalten, können Sie Ihnen aus der Hand rutschen, was zu einer Beschädigung der Pumpe und des Akkus und zu Personenschäden führen kann.

► Abb. 2:

1. Rote Anzeige
2. Knopf
3. Akku

Ziehen Sie den Akku zum Abnehmen von der Pumpe ab, während Sie den Knopf an der Vorderseite des Akkus verschieben.

Um den Akku anzubringen, richten Sie die Feder am Akku auf die Führungsnut im Gehäuse aus, und schieben den Akku hinein. Schieben Sie ihn vollständig ein, bis er mit einem hörbaren Klicken einrastet. Falls die rote Anzeige an der Oberseite des Knopfes sichtbar ist, ist der Akku nicht vollständig verriegelt.

⚠VORSICHT: Schieben Sie den Akku stets bis zum Anschlag ein, bis die rote Anzeige nicht mehr sichtbar ist. Anderenfalls kann er versehentlich aus der Pumpe herausfallen und Sie oder umstehende Personen verletzen.

⚠VORSICHT: Unterlassen Sie Gewaltanwendung beim Anbringen der Akkus. Falls die Akkus nicht reibungslos hineingleiten, sind sie nicht richtig ausgerichtet.

Akku-Schutzsystem

► Abb. 3:

1. Sternsymbol

Die Pumpe ist mit einem Akku-Schutzsystem ausgestattet. Dieses System schaltet die Stromversorgung des Motors automatisch ab, um die Akku-Lebensdauer zu verlängern.

Die Pumpe schaltet sich während des Betriebs automatisch ab, wenn Pumpe und/oder Akku einer der folgenden Bedingungen unterliegen:

Überlastung:

Die Pumpe wird auf eine Weise benutzt, die eine ungewöhnlich hohe Stromaufnahme bewirkt.

Schalten Sie in dieser Situation die Pumpe aus, und berechnen Sie die Arbeit ab, die eine Überlastung der Pumpe verursacht hat. Schalten Sie dann die Pumpe wieder ein, um die Arbeit fortzusetzen.

Falls die Pumpe nicht startet, ist der Akku überhitzt.

Lassen Sie den Akku in dieser Situation abkühlen, bevor Sie die Pumpe wieder einschalten.

Niedrige Akkuspannung:

Die Akku-Restkapazität ist zu niedrig, und die Pumpe funktioniert nicht. Nehmen Sie in dieser Situation den Akku ab, und laden Sie ihn auf.

HINWEIS: Der Überhitzungsschutz funktioniert nur mit Akkus, die mit einem Sternsymbol gekennzeichnet sind.

Anzeigen der Akku-Restkapazität

Nur für Akkus mit „B“ am Ende der Modellnummer

► Abb. 4:

1. Anzeigelampen
2. Prüftaste

Drücken Sie die Prüftaste am Akku, um die Akku-Restkapazität anzuzeigen. Die Anzeigelampen leuchten wenige Sekunden lang auf.

Anzeigelampen				Restkapazität
Erleuchtet	Aus	Blinkend		
■	□	▬		75% bis 100%
■	■	■	■	
■	■	■	□	50% bis 75%
■	■	□	□	25% bis 50%
■	□	□	□	0% bis 25%
▬	□	□	□	Den Akku aufladen.
■	■	□	□	Möglicherweise liegt eine Funktionsstörung im Akku vor.
□	□	■	■	

HINWEIS: Abhängig von den Benutzungsbedingungen und der Umgebungstemperatur kann die Anzeige geringfügig von der tatsächlichen Kapazität abweichen.

BETRIEB

Die fabrikneue Pumpe enthält kein Öl. Nehmen Sie auf „Nachfüllen von Öl“ Bezug, und füllen Sie Öl ein.

⚠ WARNUNG: Betrieb der Pumpe ohne eingefülltes Öl führt zu einer Beschädigung der Pumpe. Außerdem wird der Öltank heiß, was zu Verbrennungen oder anderen Unfällen führen kann.

Nachfüllen von Öl

► Abb. 5:

1. Öleinfüll-/ Auslasskappe
 2. Pegellinie
 3. Schauglas
 4. Öltank
1. Entfernen Sie die Öleinfüll-/Auslasskappe und füllen Sie das mitgelieferte Öl über den Einfüllstutzen ein.

BEMERKUNG: Verwenden Sie immer Original-Makita-Öl, um die Leistung der Pumpe aufrechtzuerhalten.

2. Füllen Sie Öl ein, bis der Ölstand zwischen der oberen und unteren Pegellinie des Schauglases liegt.

BEMERKUNG: Der Ölstand ist wichtig. Wird die Pumpe betrieben, wenn der Ölstand nicht zwischen der oberen und unteren Pegellinie steht, kann es zu einer Funktionsstörung kommen.

Überprüfen der Leistung

► Abb. 6:

1. Einlass
 2. Ventil der Niederdruckseite
 3. Vakuumpumpe
 4. Verteiler
1. Verbinden Sie das Ventil auf der Niederdruckseite des Verteilers und den Ansaugkanal der Pumpe mit einem Füllschlauch.
 2. Schließen Sie das Ventil auf der Niederdruckseite des Verteilers.
 3. Öffnen Sie das Ansaug-Absperrventil.
 4. Öffnen Sie das Einlassventil.
 5. Schalten Sie die Pumpe ein. Wenn der Druckmesser des Verteilers innerhalb von 30 Sekunden einen Unterdruck von -0,09 bis -0,1 MPa anzeigt, funktioniert die Pumpe einwandfrei.
 6. Schalten Sie die Pumpe aus.

Betrieb

► Abb. 7:

1. Vakuumpumpe
 2. Ansaug-Absperrventil
 3. Füllschlauch (gelb)
 4. Verteiler
 5. Ventil der Niederdruckseite
 6. Niederdruckmesser
 7. Ventil der Hochdruckseite
 8. Füllschlauch (blau)
 9. Servicekanal (Niederdruckseite)
 10. Außengerät
1. Verbinden Sie die Pumpe, den Verteiler und die Außeneinheit mit Schläuchen.

HINWEIS: Wenn die Größe des Servicekanals am Gerät 1/4" beträgt, verwenden Sie den mitgelieferten Durchmesseranpassungsadapter.

2. Prüfen Sie, ob die Ventile auf der Hochdruck- und Niederdruckseite des Verteilers geschlossen sind.
3. Bringen Sie den Akku an der Pumpe an. (Angaben zum Installationsverfahren finden Sie unter „Anbringen und Abnehmen des Akkus“.)
4. Schalten Sie die Pumpe ein. Die LED-Lampe (grün) leuchtet auf.
5. Öffnen Sie das Ansaug-Absperrventil der Pumpe und das Ventil auf der Niederdruckseite des Verteilers.

⚠ WARNUNG: Die Pumpe wird während des Betriebs heiß und ist unmittelbar nach dem Abstellen noch heiß. Berühren Sie die Pumpe nicht im heißen Zustand. Anderenfalls kann es zu Verbrennungen oder anderen Unfällen kommen.

HINWEIS: Bei niedrigen Temperaturen (5°C oder weniger) funktioniert der Motor u. U. nicht. Bringen Sie in diesen Fällen die Pumpe in einen Innenraum, und lassen Sie sie aufwärmen.

- Wenn der vorgeschriebene Unterdruck (siehe das Handbuch des Klimaanlagenherstellers) erreicht ist, schließen Sie das Ventil auf der Niederdruckseite des Verteilers.
- Schließen Sie das Ansaug-Absperrventil, und schalten Sie die Pumpe aus.

Luftdichtheitstest

Es sind keine Undichtigkeiten vorhanden, wenn der Druck des Verteilers für 5 Minuten oder länger nach dem Verlassen von Pumpe und Verteiler nicht ansteigt.

HINWEIS: Wenn die Restkapazität des Akkus niedrig wird, erlischt die LED-Lampe, und gleichzeitig ertönt ein langer Alarmpiepton. Etwa zwei Minuten später bleibt der Motor stehen. Dann wechselt der Alarmpiepton zu einem Piepton mit kurzem Intervall, der auf den Motorstopp aufmerksam macht, und 30 Sekunden später verstummt der Piepton. Warten Sie jedoch nicht, bis der Motor stoppt (oder der Alarmpiepton zu einem Piepton mit kurzem Intervall wechselt), sondern schließen Sie das Einlassventil der Pumpe und das Ventil der Niederdruckseite des Verteilers.

Prüfen Sie, ob die Pumpe ausgeschaltet ist, entfernen Sie den Akku, und laden Sie ihn auf oder ersetzen Sie ihn durch einen Reserveakku.

- Die Akku-Betriebszeiten sind aus der folgenden Tabelle ersichtlich.

Betriebszeiten-Richtlinie

Akku	Betriebszeiten
BL1860B	75 Min.
BL1850 / BL1850B	50 Min.
BL1840 / BL1840B	40 Min.
BL1830 / BL1830B	30 Min.

- Entfernen Sie den Akku nach dem Abschluss der Arbeit, und bringen Sie die mitgelieferte Abdeckung an.

BEMERKUNG: Wenn Sie die Pumpe transportieren, betreiben und lagern, legen Sie sie niemals auf ihre Seite oder auf den Kopf. Dies kann zu einem Ölleck aus dem Öleinfüllstutzen bzw. der Lüftungskappe führen.

Transport und Lagerung

- Lassen Sie vor dem Transport immer alle Flüssigkeiten von Ihrer Vakuumpumpe ab, um eine Beschädigung des Behälters zu verhindern.
- Decken Sie den Ansaugkanal immer mit einer Kappe ab, um Eindringen von Staub in die Pumpe zu vermeiden.
- Achten Sie darauf, dass die Pumpe in einer horizontalen Position gehalten wird.
- Die Pumpe wird bei einer Innenraumtemperatur zwischen 5°C – 40°C gelagert.

WARTUNG

⚠ VORSICHT: Vergewissern Sie sich vor der Durchführung von Inspektions- oder Wartungsarbeiten stets, dass die Pumpe ausgeschaltet und der Akku abgenommen ist.

BEMERKUNG: Verwenden Sie auf keinen Fall Benzin, Waschbenzin, Verdünnern, Alkohol oder dergleichen. Solche Mittel können Verfärbung, Verformung oder Rissbildung verursachen.

Um die SICHERHEIT und ZUVERLÄSSIGKEIT dieses Produkts zu gewährleisten, sollten Reparaturen und andere Wartungs- oder Einstellarbeiten nur von Makita-Vertragswerkstätten oder Makita-Kundendienstzentren unter ausschließlicher Verwendung von Makita-Originalersatzteilen ausgeführt werden.

Abschalten der Pumpe:

Um die Lebensdauer der Pumpe zu verlängern und reibungsloses Starten zu gewährleisten, sollten diese Verfahren zum Abschalten der Pumpe befolgt werden.

- Schließen Sie das Verteilerventil zwischen der Pumpe und dem System.
- Entfernen Sie den Schlauch vom Pumpeneinlass.

Decken Sie die Öffnung des Einlasskanals ab, um Eindringen von Verschmutzung oder Fremdkörpern in den Kanal zu verhindern.

Kontrollieren des Ölstands

► Abb. 8:

- Pegellinie
 - Schauglas
- Überprüfen Sie immer den Ölstand und den Ölzustand (Verschlechterung usw.) vor dem Gebrauch der Pumpe.

HINWEIS: Füllen Sie Öl ein, bis der Ölstand zwischen der oberen und unteren Pegellinie des Schauglases liegt.

Ölwechsel

► Abb. 9:

- Ansaug-Absperrventil
 - Ablassschraube
- Öffnen Sie das Ansaug-Absperrventil.
 - Betreiben Sie die Pumpe für 1 bis 2 Minuten, um das Öl zu erwärmen.
 - Schalten Sie die Pumpe aus.
 - Entfernen Sie die Ablassschraube, und lassen Sie das Öl ab.
 - Nehmen Sie auf „Nachfüllen von Öl“ Bezug, und füllen Sie frisches Öl ein.
- Entsorgen Sie das Altöl im Einklang mit den lokalen Vorschriften.

HINWEIS: Es wird empfohlen, das Öl nach 20 Betriebsstunden zu wechseln, um die Pumpenkomponenten vor Fremdstoffen zu schützen, die in die Pumpe eingesaugt worden sind.

Wenn Sie alte Kühlanlagen absaugen, wechseln Sie das Öl nach jedem Gebrauch.

Vakuumpumpenöl:

Der Zustand und die Art des in jeder Hochleistungs-Vakuumpumpe verwendeten Öls sind äußerst wichtig bei der Bestimmung des letztlich erzielbaren Unterdrucks. Es wird empfohlen, Hochleistungs-Vakuumpumpenöl zu verwenden, das speziell gemischt ist, um maximale Viskosität bei normalen Temperaturen zu erzielen und das Starten bei kaltem Wetter zu verbessern.

Reinigen der Pumpe

1. Wenn das Öl stark verschmutzt ist, wechseln Sie das Öl und betreiben Sie dann die Pumpe für 3 bis 5 Minuten.
2. Lassen Sie das Öl ab, und füllen Sie neues Öl ein. Falls das abgelassene Öl noch immer schmutzig ist, wiederholen Sie diesen Reinigungsprozess zwei bis dreimal.

Fehlersuche

Zustand	Mögliche Ursache	Lösung
Die Pumpe läuft nicht an.	<ol style="list-style-type: none">1. Der Akku ist nicht richtig eingesetzt.2. Die Umgebungstemperatur ist zu niedrig.3. Schlechter Kabelanschluss.4. Die Pumpe ist verriegelt.5. Motorstörung.	<ol style="list-style-type: none">1. Akku ordnungsgemäß einsetzen.2. Pumpe in einem Innenraum erwärmen.3. Reparieren.4. Reparieren.5. Reparieren.
Die Pumpe erzeugt nicht genügend Unterdruck.	<ol style="list-style-type: none">1. Undichtigkeit des Systems.2. Unzureichende Ölmenge.3. Verschmutztes Öl.4. Pumpenteile sind verschlissen.5. Beschädigte Anschlussstutzen, Dichtungen und Wellendichtung.6. Motorstörung.	<ol style="list-style-type: none">1. System reparieren.2. Öl nachfüllen oder wechseln.3. Behälter reinigen und Öl wechseln.4. Reparieren.5. Reparieren.6. Reparieren.
Ölleckage.	<ol style="list-style-type: none">1. Beschädigte Dichtungen und Wellendichtungen.2. Beschädigter O-Ring der Ölablassschraube.3. Ölablassschraube ist locker.	<ol style="list-style-type: none">1. Reparieren.2. O-Ring ersetzen.3. Ölablassschraube festziehen.
Anormale Geräusche.	<ol style="list-style-type: none">1. Motorstörung.2. Lagerstörung.3. Lockere Schrauben.4. Pumpenstörung.5. Luft wird angesaugt.	<ol style="list-style-type: none">1. Reparieren.2. Reparieren.3. Schrauben festziehen.4. Reparieren.5. Kappen und Anschlüsse festziehen. Dichtungen und O-Ringe ersetzen. Anschlussstutzen ersetzen oder neu abdichten.

Anmerkung: Falls das Problem durch diese Verfahren nicht gelöst wird, kontaktieren Sie Ihren nächsten Makita-Vertragshändler oder schicken Sie Ihre Pumpe zu unserem Kundenzentrum.

SONDERZUBEHÖR

⚠ VORSICHT: Die folgenden Zubehörteile oder Vorrichtungen werden für den Einsatz mit dem in dieser Anleitung beschriebenen Makita-Werkzeug empfohlen. Die Verwendung anderer Zubehörteile oder Vorrichtungen kann eine Verletzungsgefahr darstellen. Verwenden Sie Zubehörteile oder Vorrichtungen nur für ihren vorgesehenen Zweck.

Wenn Sie weitere Einzelheiten bezüglich dieser Zubehörteile benötigen, wenden Sie sich bitte an Ihre Makita-Kundendienststelle.

- Original-Makita-Akkus und -Ladegeräte
- Vakuumpumpenöl 150 ml
- Vakuumpumpen-Aluminiumgehäuse
- Vakuumpumpenschlauch
- Vakuumpumpenventil mit Druckmesser

HINWEIS: Manche Teile in der Liste können als Standardzubehör im Werkzeugsatz enthalten sein. Sie können von Land zu Land unterschiedlich sein.

DANE TECHNICZNE

Model:	DVP180
Akumulator (pojemność)	BL 1860B (6,0 Ah) BL 1850 / BL 1850B (5,0 Ah) BL 1840 / BL 1840B (4,0 Ah) BL 1830 / BL 1830B (3,0 Ah)
Napięcie znamionowe	Napięcie stałe 18 V
Pompa	Jednostopniowa pompa obrotowa
Swobodny wydatek powietrza	50 L/min
Próżnia końcowa	20 Pa
Pojemność oleju	100 – 115 ml
Włot	kielichowy męski 5/16"
Wymiary	263 mm (dł.) × 93 mm (szer.) × 172 mm (wys.)
Waga netto (z akumulatorem BL1850)	3,5 kg

- Ze względu na stale prowadzone prace badawczo-rozwojowe, podane tu dane techniczne mogą ulec zmianie bez powiadomienia.
- Parametry techniczne i akumulator mogą różnić się w zależności od kraju.
- Waga z akumulatorem zgodnie z procedurą EPTA 01/2003

Pompa próżniowa do usuwania powietrza z zamkniętych układów (klimatyzatorów, zbiorników itp.).

Opisywany sprzęt jest specjalnie przeznaczony do systemów grzewczych, wentylacyjnych, klimatyzacyjnych i chłodniczych.

Pojedynczy stopień wspomnianych pomp umożliwi osiągnięcieżądanego poziomu próżni końcowej.

Duży wziernik oraz konstrukcja z niskim poziomem oleju pozwalają uniknąć uruchomienia bez oleju i gwarantują niezawodną eksploatację.

Dodatkowo, zawór zwrotny zapobiega mieszaniu się oleju w wyniku przepływu wstecznego po awarii zasilania lub jakiegokolwiek przerw w procesie.

Symbole

Poniżej przedstawiono stosowane symbole.

Przed przystąpieniem do eksploatacji należy koniecznie zapoznać się z ich znaczeniem.



- Przeczytać instrukcję obsługi.



- Ostrzeżenie: gorąca powierzchnia!
Nie dotykać w sąsiedztwie tego symbolu.
Dotknięcie powierzchni grozi poparzeniami lub innymi obrażeniami.



- Dotyczy tylko krajów UE
Urządzeń elektrycznych ani akumulatorów nie wolno wyrzucać razem z odpadami gospodarczymi!
Zgodnie z Dyrektywami Europejskimi dotyczącymi zużytego sprzętu elektrycznego i elektronicznego, baterii i akumulatorów oraz zużytych baterii i akumulatorów, jak również zgodnie z ich implementacją do prawa krajowego, sprzęt elektryczny, baterie i akumulatory, których okres eksploatacji dobiegł końca, należy zebrać oddzielnie i przekazać do zakładu utylizacji spełniającego wymogi ochrony środowiska.

DEKLARACJA ZGODNOŚCI WE

Dotyczy tylko krajów europejskich
Deklaracja zgodności WE jest dołączona w formie Aneksu A do niniejszej instrukcji obsługi.

Ogólne zasady bezpieczeństwa dotyczące elektronarzędzi

▲OSTRZEŻENIE: Należy zapoznać się z **wszystkimi zasadami bezpieczeństwa i zaleceniami**. Niezastosowanie się do wspomnianych zasad i zaleceń może doprowadzić do porażenia prądem elektrycznym, pożaru i/lub poważnego urazu.

Wszystkie zasady i zalecenia zachować do wglądu na przyszłość.

Występujące w ostrzeżeniach pojęcie „elektonarzędzie” odnosi się do elektronarzędzi zasilanych z sieci energetycznej (z przewodem zasilającym) lub do elektronarzędzi akumulatorowych (bezprowodowych).

Bezpieczeństwo w miejscu pracy

1. **W miejscu pracy utrzymywać czystość i zadbać o dobre oświetlenie.** Nieporządek bądź słabe oświetlenie sprzyjają wypadkom.

2. **Elektronarzędzi nie wolno używać w miejscach zagrożonych wybuchem, na przykład w obecności łatwopalnych cieczy, gazów lub pyłów.** Elektronarzędzia wytwarzają iskry, które mogą spowodować zapalenie się pyłu lub oparów.
3. **Nie należy uruchamiać elektronarzędzia, gdy w pobliżu znajdują się dzieci lub osoby postronne.** Chwila nieuwagi może spowodować utratę kontroli.

Zasady bezpieczeństwa dotyczące urządzeń elektrycznych

4. **Wtyczki elektronarzędzia muszą pasować do gniazda elektrycznego. Nie wolno dokonywać żadnych przeróbek wtyczki. W przypadku elektronarzędzi wymagających uziemienia nie wolno stosować żadnych przejściówek.** Oryginalne wtyczki i właściwie dopasowane gniazda zmniejszają ryzyko porażenia prądem elektrycznym.
5. **Unikać kontaktu z powierzchniami uziemionych przedmiotów, jak rury, grzejniki, kuchenki, czy lodówki.** Gdy ciało jest uziemione, wzrasta ryzyko porażenia prądem elektrycznym.
6. **Elektronarzędzia należy chronić przed deszczem i wilgocią.** Woda, która dostanie się do środka, zwiększa ryzyko porażenia prądem elektrycznym.
7. **Nie nadwężać przewodu zasilającego. Nie wolno wykorzystywać go do przenoszenia lub przyciągania narzędzia, ani do wyciągania wtyczki z gniazda elektrycznego. Przewód należy trzymać z dala od źródeł ciepła, oleju, ostrych krawędzi lub będących w ruchu podzespołów.** Uszkodzone lub poplątane przewody zasilające zwiększają ryzyko porażenia prądem elektrycznym.
8. **W przypadku eksploatacji elektronarzędzia na dworze, należy korzystać z przedłużacza do zastosowań zewnętrznych.** Tylko taki przedłużacz zmniejsza ryzyko porażenia prądem elektrycznym.
9. **Jeżeli zachodzi potrzeba użycia elektronarzędzia w miejscu, gdzie panuje wilgoć, należy korzystać z obwodu zasilającego zabezpieczonego wyłącznikiem ziemnozwarciowym (GFCI).** Używanie wyłącznika ziemnozwarciowego zmniejsza ryzyko porażenia prądem elektrycznym.

Bezpieczeństwo osobiste

10. **Podczas pracy z elektronarzędziem zachować czujność, obserwować wykonywane operacje i kierować się zdrowym rozsądkiem. Nie wolno używać elektronarzędzia, gdy jest się zmęczonym albo pod wpływem narkotyków, alkoholu bądź leków.** Chwila nieuwagi podczas pracy z elektronarzędziami może spowodować poważne obrażenia ciała.
11. **Używać sprzętu ochrony osobistej. Podczas pracy zawsze stosować ochronę oczu.** Odpowiedni sprzęt ochronny, typu maska przeciwpyłowa, buty antypoślizgowe, kask, czy ochraniacze na uszy, dostosowany do panujących warunków, zmniejsza ryzyko obrażeń.

12. **Zapobiegać przypadkowemu uruchomieniu.** Przed podłączeniem źródła zasilania i/lub akumulatora, chwytniem lub przeniesieniem narzędzia sprawdzić, czy przełącznik znajduje się w pozycji wyłączonej. Przenoszenie elektronarzędzi z palcem na przełączniku lub podłączanie przewodu zasilającego przy włączonym przełączniku grozi wypadkiem.
13. **Przed włączeniem elektronarzędzia usunąć wykorzystywane do regulacji klucze.** Klucz pozostawiony na obracającym się elemencie elektronarzędzia może spowodować poważne obrażenia ciała.
14. **Nie przeceniać swoich możliwości. Stać pewnie, aby nie stracić równowagi.** Taka postawa gwarantuje lepsze opanowanie narzędzia w niespodziewanych sytuacjach.
15. **Ubiierać się odpowiednio. Nie wolno zakładać luźnych części garderoby ani biżuterii. Włosy, ubranie i rękawice należy trzymać z dala od ruchomych części.** Luźne części ubrania, biżuteria i długie włosy mogą zostać pochwycone przez znajdujące się w ruchu podzespoły.
16. **Jeżeli narzędzia przystosowane są do współpracy z urządzeniami do usuwania i zbierania pyłu, należy upewnić się, czy są one podłączone i prawidłowo używane.** Korzystanie z urządzeń do odbierania pyłu zmniejsza poziom zagrożeń wynikających z zapylenia.

Użytkowanie elektronarzędzi i dbałość o nie

17. **Elektronarzędzia nie wolno przeciążać. Używać tylko właściwego narzędzia przeznaczonego do danego zastosowania.** Pozwoli ono wykonać pracę lepiej i bezpieczniej, w przewidzianym przez projektanta tempie.
18. **Nie wolno używać elektronarzędzia z uszkodzonym przełącznikiem zasilania.** Elektronarzędzia z uszkodzonym przełącznikiem są niebezpieczne i wymagają naprawy.
19. **Przed przystąpieniem do przeprowadzenia regulacji, wymiany osprzętu lub przed odłożeniem narzędzia na swoje miejsce należy zawsze wyjąć wtyczkę przewodu zasilającego z gniazda i/lub odłączyć akumulator.** Takie działania prewencyjne zmniejszają ryzyko przypadkowego uruchomienia elektronarzędzia.
20. **Nieużywane elektronarzędzia należy chronić przed dziećmi. Nie wolno zezwalać na korzystanie z elektronarzędzia osobom nie zaznajomionym z danym narzędziem albo osobom, które nie zapoznały się z jego instrukcją obsługi.** Elektronarzędzia w rękach użytkowników bez przeszkolenia mogą być niebezpieczne.
21. **Elektronarzędzia wymagają konserwacji. Należy kontrolować je pod kątem nieprawidłowego ustawienia lub zablokowania elementów ruchomych, pęknięć lub innych usterek, które mogą mieć wpływ na działanie urządzenia. W przypadku stwierdzenia uszkodzenia należy zlecić jego naprawę.** Niedbalstwo jest przyczyną wielu wypadków.
22. **Narzędzia do cięcia powinny być zawsze czyste i naostrzone.** Właściwie konserwowane narzędzia do cięcia z ostrymi krawędziami tnącymi rzadziej się zakleszczają i łatwiej je prowadzić.

23. Elektronarzędzie, osprzęt, końcówki robocze itp. należy stosować zgodnie z niniejszymi zaleceniami, mając na uwadze warunki i rodzaj pracy do wykonania. Używanie elektronarzędzia do innych, niezgodnych z przeznaczeniem celów może stwarzać niebezpieczną sytuację.

Użytkowanie narzędzi akumulatorowych i dbałość o nie

24. Akumulator należy ładować wyłącznie przy użyciu określonej przez producenta ładowarki. Ładowarka przeznaczona do jednego typu akumulatora może stwarzać zagrożenie pożarem, gdy będzie wykorzystywana do ładowania innego akumulatora.
25. Do zasilania elektronarzędzi używać tylko specjalnie do tego celu przeznaczonych akumulatorów. Używanie innych akumulatorów może grozić obrażeniami ciała i pożarem.
26. Gdy akumulator nie jest używany, chronić go przed kontaktem z metalowymi przedmiotami, na przykład spinaczami, monetami, kluczami, gwoźdźmi, wkrętami lub innymi metalowymi drobiazgami, które mogą spowodować zwarcie styków akumulatora. Zwarcie styków akumulatora z kolei grozi poparzeniami lub pożarem.
27. W przypadku niewłaściwych warunków eksploatacji może dojść do wycieku elektrolitu z akumulatora. Nie należy go wówczas dotykać. W razie przypadkowego kontaktu, przemyć wodą. W przypadku kontaktu z oczami, dodatkowo zasięgnąć porady lekarskiej. Elektrolit z akumulatora może powodować podrażnienie lub poparzenia.

Naprawa

28. Naprawę elektronarzędzi zlecać wykwalifikowanemu personelowi technicznemu, który stosuje wyłącznie oryginalne części zamienne. Pozwoli to zachować niezmienny poziom bezpieczeństwa elektronarzędzia.
29. Postępować zgodnie z instrukcjami dotyczącymi smarowania i wymiany elementów wyposażenia.
30. Uchwyty powinny być zawsze suche, czyste, bez pozostałości oleju lub smaru.

Zasady bezpieczeństwa dotyczące bezprzewodowej pompy próżniowej

Zapoznać się dokładnie z instrukcjami w materiałach informacyjnych. Ścisłe przestrzeganie procedur to główny warunek bezpieczeństwa operatora.

1. Pompa próżniowa to urządzenie służące do opróżniania układów chłodniczych i klimatyzacji oraz zbiorników z odzyskanym czynnikiem. Nie wolno używać jej do innych zastosowań. W przeciwnym razie może dojść do wypadków.
2. Przed przystąpieniem do użytkowania należy zawsze sprawdzić pompę próżniową pod kątem wycieków oleju. Niezastosowanie się do tej zasady grozi pożarem.
3. Sprawdzić poziom oleju i jego stan (pogorszenie jakości itp.), aby zapewnić bezpieczną i wydajną pracę.

4. W przypadku pracy przy czynnikiem chłodniczym wymagane jest noszenie okularów ochronnych i rękawic. Unikać kontaktu z czynnikiem chłodniczym z uwagi na zagrożenie utraty wzroku i innych obrażeń u operatora.
5. W warunkach bardzo wysokich lub bardzo niskich temperatur może nie udać się uzyskać odpowiednich parametrów technicznych.

INSTRUKCJĘ OBSŁUGI NALEŻY ZACHOWAĆ.

⚠️ OSTRZEŻENIE: NIE WOLNO pozwolić, aby wyгода lub rutyna (nabyta w wyniku wielokrotnego użytkowania) zastąpiły ściśle przestrzeganie obowiązujących zasad bezpieczeństwa w przypadku przedmiotowego wyrobu.

NIEWŁAŚCIWE UŻYTKOWANIE narzędzia lub niestosowanie się do zasad bezpieczeństwa podanych w niniejszej instrukcji obsługi może prowadzić do poważnych obrażeń ciała.

Ważne zasady bezpieczeństwa dotyczące akumulatora

1. Przed użyciem akumulatora zapoznać się z wszystkimi zaleceniami i znakami ostrzegawczymi na (1) ładowarce, (2) akumulatorze i (3) wyrobie, w którym będzie używany akumulator.
2. Akumulatora nie wolno demontować.
3. W przypadku znacznego skrócenia czasu działania, należy natychmiast przerwać pracę. Może bowiem dojść do przegrzania, ewentualnych poparzeń, a nawet eksplozji.
4. W przypadku przedostania się elektrolitu do oczu, przemyć je czystą wodą i niezwłocznie uzyskać pomoc lekarską. W przeciwnym razie może dojść do utraty wzroku.
5. Nie wolno zwierać akumulatora:
 - (1) Nie dotykać styków materiałami przewodzącymi.
 - (2) Unikać przechowywania akumulatora w pojemniku z innymi metalowymi przedmiotami, na przykład z gwoźdźmi, monetami itp.
 - (3) Chronić akumulator przed wodą lub deszczem.Zwarcie prowadzi do przepływu prądu elektrycznego o dużym natężeniu i przegrzania akumulatora, co w konsekwencji może grozić poparzeniami, a nawet poważną awarią.
6. Narzędzia i akumulatora nie wolno przechowywać w miejscach, w których temperatura może osiągać lub przekraczać 50°C.
7. Akumulatorów nie wolno spalać, również tych poważnie uszkodzonych lub całkowicie zużytych. W ogniu bowiem, akumulator może eksplodować.
8. Chronić akumulator przed upadkiem i uderzeniami.

9. Nie wolno używać uszkodzonego akumulatora.
10. Akumulator należy utylizować zgodnie z obowiązującymi miejscowymi przepisami.

INSTRUKCJĘ OBSŁUGI NALEŻY ZACHOWAĆ.

▲OSTROŻNIE: Stosować wyłącznie oryginalne akumulatory Makita. Używanie nieoryginalnych akumulatorów innych niż Makita lub akumulatorów przerabianych grozi rozerwaniem akumulatora, a w konsekwencji pożarem, obrażeniami ciała i uszkodzonymi materiałami. Spowoduje to również utratę gwarancji firmy Makita na posiadane narzędzie i ładowarkę Makita.

Wskazówki dotyczące utrzymania maksymalnej trwałości akumulatora

1. Akumulator naładować zanim ulegnie całkowitemu rozładowaniu. W przypadku stwierdzenia spadku mocy narzędzia należy przerwać pracę i naładować akumulator.
2. Nie wolno ładować w pełni naładowanego akumulatora. Zbyt długie ładowanie skraca okres eksploatacji akumulatora.
3. Akumulator ładować w temperaturze mieszczącej się w przedziale 10°C – 40°C. Gdy akumulator jest gorący, przed przystąpieniem do jego ładowania należy odczekać, aż ostygnie.
4. Po dłuższym okresie wyłączenia z eksploatacji (ponad sześć miesięcy) akumulator należy naładować.

OPIS ELEMENTÓW

► Rys. 1:

- | | |
|------------------------------------------|--------------------------|
| 1. Wziernik | 6. Akumulator |
| 2. Korek wlewu oleju/
odpowietrzający | 7. Przełącznik zasilania |
| 3. Dolotowy zawór
odcinający | 8. Lampka LED |
| 4. Rączka | 9. Silnik |
| 5. Uchwyt akumulatora | 10. Podstawa |
| | 11. Zbiornik oleju |
| | 12. Korek spustowy |

OPIS DZIAŁANIA

▲OSTROŻNIE: Przed przystąpieniem do regulacji lub przeglądu pompy zawsze upewnić się, czy jest wyłączona i czy akumulator został odłączony.

Wkładanie i wyjmowanie akumulatora

▲OSTROŻNIE: Przed podłączeniem lub odłączeniem akumulatora należy koniecznie wyłączyć pompę.

▲OSTROŻNIE: Przy podłączaniu lub odłączaniu akumulatora należy mocno trzymać pompę i akumulator. Niepewny chwyt grozi wyslizgnięciem się pompy lub akumulatora z rąk, co z kolei może doprowadzić do uszkodzenia pompy i akumulatora oraz do obrażeń ciała.

► Rys. 2:

1. Znacznik w kolorze czerwonym
2. Przycisk
3. Akumulator

W celu wyjęcia akumulatora należy przesunąć przycisk znajdujący się w przedniej jego części i wysunąć akumulator z pompy.

Aby zainstalować akumulator, wystarczy wyrównać występ na akumulatorze z rowkiem w obudowie i wsunąć go na swoje miejsce. Akumulator należy wsunąć do oporu, aż wskoczy na swoje miejsce, co jest sygnalizowane delikatnym kliknięciem. Jeżeli znacznik w kolorze czerwonym w górnej części przycisku jest widoczny, akumulator nie został w pełni zablokowany.

▲OSTROŻNIE: Podczas instalacji akumulator należy zawsze docisnąć do oporu, aż znacznik w kolorze czerwonym przestanie być widoczny. W przeciwnym razie może przypadkowo odłączyć się od pompy, raniąc operatora lub osoby postronne.

▲OSTROŻNIE: Akumulatora nie wolno instalować na siłę. Jeżeli akumulator nie wchodzi swobodnie, nie został prawidłowo włożony.

Układ zabezpieczający akumulator

► Rys. 3:

1. Znak gwiazdki

Pompa jest wyposażona w układ zabezpieczający akumulator. Opisany układ automatycznie odcina zasilanie silnika w celu wydłużenia okresu eksploatacji akumulatora.

Pompa zatrzyma się automatycznie w trakcie pracy w przypadku wystąpienia w pompie lub akumulatorze jednego z poniższych warunków:

Przeciążenie:

Pompa pracuje w warunkach przyczyniających się do nadmiernego wzrostu poboru prądu.

W takiej sytuacji należy wyłączyć pompę i usunąć przyczynę powodującą przeciążenie pompy. Następnie ponownie uruchomić pompę.

Jeżeli pompa nie włącza się, doszło do przegrzania akumulatora.

W takiej sytuacji, przed ponownym włączeniem pompy należy odczekać aż akumulator ostygnie.

Niskie napięcie akumulatora:

Przy zbyt niskim poziomie naładowania akumulatora pompa nie będzie działać. W takiej sytuacji należy wyjąć i naładować akumulator.

UWAGA: Zabezpieczenie przed przegrzaniem działa tylko w przypadku akumulatora ze znakiem gwiazdki.

Sygnalizacja poziomu naładowania akumulatora

Tylko w przypadku akumulatorów z literą „B” na końcu numeru modelu

► Rys. 4:

1. Lampki wskaźnika 2. Przycisk kontrolny

Nacisnąć przycisk kontrolny na akumulatorze, aby uzyskać informacje o poziomie naładowania akumulatora. Lampki wskaźnika zapalą się na kilka sekund.

Lampki wskaźnika			Poziom naładowania
Podświetlone	Wyłączone	Migające	
			75% do 100%
			50% do 75%
			25% do 50%
			0% do 25%
			Naładować akumulator.
			Akumulator może być niesprawny.

UWAGA: W zależności od warunków eksploatacji i temperatury otoczenia, wskazanie może nieznacznie odbiegać od rzeczywistego poziomu naładowania akumulatora.

OBSŁUGA

Nowo zakupiona pompa nie zawiera oleju. Informacje dotyczące dolewania oleju w rozdziale „Dolewanie oleju”.

⚠ OSTRZEŻENIE: Uruchamianie pompy bez zalanego oleju grozi uszkodzeniem pompy. Ponadto zbiornik oleju może nagrzać się do wysokiej temperatury grożąc poparzeniami lub innego rodzaju wypadkami.

Dolewanie oleju

► Rys. 5:

1. Korek wlewu oleju/ odpowietrzający
 2. Kreska poziomu
 3. Wziernik
 4. Zbiornik oleju
1. Odkręcić korek wlewu oleju/odpowietrzający i wlać dostarczony olej przez otwór wlewowy.

PRZESTROGA: Z uwagi na zachowanie parametrów pompy należy zawsze stosować oryginalny olej Makita.

2. Dolewać oleju do momentu aż jego poziom znajdzie się między górną a dolną kreską na wzierniku.

PRZESTROGA: Poziom oleju jest ważny. Uruchamianie pompy, gdy poziom oleju nie znajduje się między górną a dolną kreską, grozi nieprawidłowym działaniem.

Sprawdzanie wydajności

► Rys. 6:

1. Wlot
 2. Zawór po stronie niskiego ciśnienia
 3. Pompa próżniowa
 4. Oprawa zaworowa
1. Za pośrednictwem węża do napełniania połączyć zawór oprawy zaworowej po stronie niskiego ciśnienia z otworem dolotowym pompy.
 2. Zamknąć zawór oprawy zaworowej po stronie niskiego ciśnienia.
 3. Otworzyć dolotowy zawór odcinający.
 4. Otworzyć zawór wlotowy.
 5. Włączyć pompę. Jeżeli w ciągu 30 sekund oprawa zaworowa wskaże wartość podciśnienia w przedziale -0,09 do -0,1 MPa, pompa działa prawidłowo.
 6. Wyłączyć pompę.

Obsługa

► Rys. 7:

1. Pompa próżniowa
 2. Dolotowy zawór odcinający
 3. Wąż do napełniania (zółty)
 4. Oprawa zaworowa
 5. Zawór po stronie niskiego ciśnienia
 6. Miernik niskiego ciśnienia
 7. Zawór po stronie wysokiego ciśnienia
 8. Wąż do napełniania (niebieski)
 9. Otwór serwisowy (po stronie niskiego ciśnienia)
 10. Jednostka zewnętrzna
1. Połączyć węzami pompę, oprawę zaworową i jednostkę zewnętrzną.

UWAGA: W przypadku otworu serwisowego na urządzeniu o rozmiarze 1/4", należy skorzystać ze znajdującego się w zestawie adaptera innej średnicy.

2. Sprawdzić, czy zawory oprawy zaworowej po stronie wysokiego i niskiego ciśnienia są zamknięte.
3. Zainstalować akumulator w pompie. (Informacje na temat sposobu instalacji w rozdziale „Wkładanie i wyjmowanie akumulatora”.)

4. Włączyć pompę. Zapali się lampka LED (zielona).
5. Otworzyć dolotowy zawór odcinający pompy i zawór oprawy zaworowej po stronie niskiego ciśnienia.

⚠OSTRZEŻENIE: Podczas pracy pompy i bezpośrednio po jej zatrzymaniu, jej temperatura może być bardzo wysoka. Nie wolno dotykać gorącej pompy. W przeciwnym razie może dojść do poparzeń lub innych wypadków.

UWAGA: Silnik może nie działać w niskiej temperaturze (5°C lub poniżej). W takich przypadkach należy wnieść opóźnienie do pomieszczenia i odczekać, aż ogrzeje się.

6. Po osiągnięciu określonej wartości podciśnienia (informacje w instrukcji producenta klimatyzatora) zamknąć zawór oprawy zaworowej po stronie niskiego ciśnienia.
7. Zamknąć dolotowy zawór odcinający i wyłączyć pompę.

Test szczelności

Nieszczelności nie występują, jeżeli ciśnienie na oprawie zaworowej nie wzrośnie przez co najmniej 5 minut od pozostawienia w tym stanie pompy i oprawy zaworowej.

UWAGA: Przy niskim poziomie naładowania akumulatora lampka LED gaśnie i równocześnie rozlega się długi sygnał alarmowy. Po upływie około dwóch minut silnik staje. Wówczas sygnał alarmowy zmienia się na powtarzający się krótki sygnał dźwiękowy, który informuje o zatrzymaniu silnika. 30 sekund później następuje wyłączenie tego sygnału. Nie należy jednak czekać, aż silnik stanie (albo sygnał alarmowy zmieni się w krótkie sygnały dźwiękowe). Zamiast tego należy zamknąć zawór wlotowy pompy i zawór oprawy zaworowej po stronie niskiego ciśnienia.

Sprawdzić, czy pompa jest wyłączona, odłączyć akumulator i naładować go, albo wymienić na akumulator zapasowy.

- W poniższej tabeli podano czasy pracy akumulatorów.

Czasy pracy (orientacyjne)

Akumulator	Czasy pracy
BL1860B	75 min
BL1850 / BL1850B	50 min
BL1840 / BL1840B	40 min
BL1830 / BL1830B	30 min

- Po skończonej pracy odłączyć akumulator i założyć pokrywę z zestawu.

PRZESTROGA: W czasie transportu, pracy i przechowywania, pompy nie wolno w żadnym wypadku kłaść na boku lub do góry nogami. Może bowiem dojść do wycieku oleju przez korek wlewu oleju/odpowietrzający.

Przewożenie i przechowywanie

- Aby nie doszło do uszkodzenia zbiornika, przed transportem należy usunąć wszelkie płyny z pompy próżniowej.

- Otwór dolotowy powinien być zawsze zamknięty korkiem, aby do wnętrza pompy nie dostały się zabrudzenia.
- Pompę należy koniecznie trzymać w pozycji poziomej.
- Pompa powinna być przechowywana w pomieszczeniu zapewniającym temperaturę otoczenia w przedziale 5°C – 40°C.

KONSERWACJA

⚠OSTROŻNIE: Przed przystąpieniem do przeglądu pompy lub jej konserwacji zawsze należy upewnić się, czy jest wyłączona i czy akumulator został odłączony.

PRZESTROGA: Nie wolno używać benzyny, benzyny ekstrakcyjnej, rozpuszczalnika, alkoholu lub podobnych substancji. Mogą one powodować przebarwienia, odkształcenia lub pęknięcia.

W celu zachowania odpowiedniego poziomu BEZPIECZENSTWA i NIEZAWODNOŚCI wyrobu, wszelkie naprawy, inne prace konserwacyjne lub regulacje powinny być przeprowadzane przez autoryzowane punkty serwisowe lub fabryczne centra serwisowe narzędzi Makita, zawsze z użyciem oryginalnych części zamiennych Makita.

Zatrzymywanie pompy:

Z uwagi na wydłużenie okresu eksploatacji pompy i jej płynny rozruch, należy przestrzegać poniższych procedur wyłączania pompy.

1. Zamknąć zawór oprawy zaworowej między pompą a układem.
2. Odłączyć wąż od wlotu pompy.

Zabezpieczyć otwór wlotowy przed przedostawaniem się przez niego zanieczyszczeń lub drobin obcych substancji.

Sprawdzanie oleju

► Rys. 8:

1. Kreska poziomą
2. Wziernik

- Przed przystąpieniem do eksploatacji pompy należy zawsze sprawdzić poziom oleju i jego stan (pogorszenie jakości itp.).

UWAGA: Dolewać oleju do momentu aż jego poziom znajdzie się między górną a dolną kreską na wzierniku.

Wymiana oleju

► Rys. 9:

1. Dolotowy zawór odcinający
2. Korek spustowy

1. Otworzyć dolotowy zawór odcinający.
2. Uruchomić pompę na 1 lub 2 minuty, aby rozgrzać olej.
3. Wyłączyć pompę.
4. Wykręcić korek spustowy i spuścić olej.

5. Wlać nowy olej w oparciu o informacje w rozdziale „Dolewanie oleju”.
- Starego oleju należy pozbywać się zgodnie z miejscowymi przepisami.

UWAGA: Wymiana oleju wskazana jest co 20 roboczogodzin z uwagi na ochronę pompy przed zanieczyszczeniami wciągany do pompy.

W przypadku opróżniania starych układów klimatyzacji, olej należy wymieniać po każdorazowym użyciu.

Olej do pomp próżniowych:

Stan i rodzaj oleju używanego w wysokiej klasy pompach próżniowych jest niezmiernie ważny, gdyż decyduje o ostatecznym poziomie podciśnienia, jakie można uzyskać. Wskazane jest stosowanie wysokiej klasy oleju do pomp próżniowych o specjalnym składzie zapewniającym maksymalną lepkość w normalnych temperaturach i ułatwiającym rozruch, gdy jest zimno.

Rozwiązywanie problemów

Stan	Prawdopodobna przyczyna	Rozwiązanie
Pompy nie można uruchomić.	<ol style="list-style-type: none"> 1. Akumulator nie jest prawidłowo zainstalowany. 2. Temperatura otoczenia jest zbyt niska. 3. Niestaranne podłączenie elektryczne. 4. Pompa jest zablokowana. 5. Awaria silnika. 	<ol style="list-style-type: none"> 1. Zainstalować prawidłowo akumulator. 2. Ogrzać pompę w pomieszczeniu. 3. Naprawić. 4. Naprawić. 5. Naprawić.
Pompa nie zapewnia wystarczającego podciśnienia.	<ol style="list-style-type: none"> 1. Nieszczelność w układzie. 2. Niewystarczająca ilość oleju. 3. Zabrudzony olej. 4. Zużyte części pompy. 5. Uszkodzone złączki, uszczelnienia i uszczelka. 6. Awaria silnika. 	<ol style="list-style-type: none"> 1. Naprawić układ. 2. Dolać oleju lub wymienić go. 3. Oczyszczyć zbiornik i wymienić olej. 4. Naprawić. 5. Naprawić. 6. Naprawić.
Wyciek oleju.	<ol style="list-style-type: none"> 1. Uszkodzone uszczelnienia i uszczelki wałów. 2. Uszkodzony pierścień uszczelniający korka spustowego oleju. 3. Niedokręcony korek spustowy oleju. 	<ol style="list-style-type: none"> 1. Naprawić. 2. Wymienić pierścień uszczelniający. 3. Dokręcić korek spustowy oleju.
Nietypowy hałas.	<ol style="list-style-type: none"> 1. Awaria silnika. 2. Uszkodzone łożysko. 3. Niedokręcone śruby. 4. Awaria pompy. 5. Powietrze jest zasysane. 	<ol style="list-style-type: none"> 1. Naprawić. 2. Naprawić. 3. Dokręcić śruby. 4. Naprawić. 5. Dokręcić korki i połączenia. Wymienić uszczelnienia i pierścienie uszczelniające. Wymienić złączki lub ponownie je uszczelnić.

Uwaga: Jeżeli te procedury nie rozwiążą problemu, należy skontaktować się z najbliższym autoryzowanym dystrybutorem wyrobów Makita lub odesłać pompę do naszego punktu serwisowego.

WYPOSAŻENIE DODATKOWE

OSTROŻNIE: Z opisany w niniejszym podręczniku narzędziem marki Makita współpracują zalecane poniżej akcesoria i przystawki. Stosowanie innych akcesoriów lub przystawek grozi obrażeniami ciała. Akcesoria lub przystawki należy wykorzystywać wyłącznie zgodnie z ich przeznaczeniem.

Czyszczenie pompy

1. Mocno zabrudzony olej należy wymienić, po czym uruchomić pompę na 3 do 5 minut.
 2. Spuścić olej i wlać nowy olej.
- Jeżeli spuszczonego oleju jest nadal brudny, opisaną procedurę czyszczenia należy powtórzyć dwu- lub trzykrotnie.

Więcej szczegółów na temat wspomnianych akcesoriów można uzyskać w miejscowym punkcie serwisowym narzędzi Makita.

- Oryginalne akumulatory i ładowarki marki Makita
- Olej do pomp próżniowych 150 ml
- Walizka aluminiowa pompy próżniowej
- Wąż pompy próżniowej
- Zawór pompy próżniowej z manometrem

UWAGA: Niektóre pozycje z listy mogą znajdować się razem z narzędziem w opakowaniu jako wyposażenie standardowe. Zależy to od kraju.

MŰSZAKI ADATOK

Tipus:	DVP180
Akkumulátorkazetta (kapacitás)	BL1860B (6,0 Ah) BL1850 / BL1850B (5,0 Ah) BL1840 / BL1840B (4,0 Ah) BL1830 / BL1830B (3,0 Ah)
Névleges feszültség	D.C. 18 V
Szivattyú	Egyfokozatú forgódugattyús szivattyú
Szabad levegőszállítás	50 l/perc
Végnyomás	20 Pa
Olajmennyiség	100–115 ml
Szívócsonk	5/16" hollandi csavar
Méretek	263 mm (H) × 93 mm (Sz) × 172 mm (M)
Nettó tömeg (BL1850 akkumulátorral)	3,5 kg

- Folyamatos kutatás-fejlesztési programunk eredményeképpen a dokumentumban szereplő adatok előzetes értesítés nélkül módosulhatnak.
- A műszaki adatok és az akkumulátorkazetta kivitele országonként eltérő lehet.
- Az akkumulátorkazettával mért tömeg, az EPTA-Procedure 01/2003 eljárásnak megfelelően

Zárt rendszerekből (klímaberendezések, tartályok, stb.) történő levegő eltávolítására szolgáló vákuumszivattyú.

Ezt a berendezést kifejezetten a HVAC&R rendszerekhez tervezték.

Ezen szivattyúk egyetlen fokozattal lehetővé teszik a szükséges vákuum létrehozását.

A nagyméretű kémlelőablak és az alacsony olajsztint révén elkerülhető a szárazonfutás, és biztosítható a megbízhatóság.

Ezenkívül a visszacsapó szelep megakadályozza, hogy az áramellátás megszakadása vagy bármely folyamatbeli leállás után olaj kerüljön a rendszerbe.

Szimbólumok

A következőkben a géphez használt szimbólumokat mutatjuk be.

Használat előtt szánjon időt a szimbólumok jelentésének megismerésére.



- Lásd a kezelői kézikönyvet.



- Vigyázat! Forró felület!
Ne érintse meg ennek a szimbólumnak a környékét.
A felület megérintése égési vagy más sérülést okozhat.



- Csak EU-országok számára
Ne dobja az élettartama végét elért elektromos készüléket és akkumulátoregységeket a háztartási hulladék közé!
Az elektromos és elektronikus berendezések és ezek akkumulátorainak, továbbá az akkumulátorok és elemek hulladékaira vonatkozó európai irányelv, valamint ezen irányelvek nemzeti jogszabályokkal összhangban történő alkalmazásának figyelembe vételével az élettartamuk végét elérő elektromos berendezéseket, akkumulátorokat és akkumulátoregység(ek)et külön kell gyűjteni, és környezetvédelmi szempontból megfelelő újrahasznosító létesítménybe kell visszaküldeni.

EK-MEGFELELŐSÉGI NYILATKOZAT

Csak az európai országok számára
Az EK-megfelelőségi nyilatkozat a jelen használati útmutató A függelékében található meg.

Elektromos szerszámgépekkel kapcsolatos biztonsági figyelmeztetések

⚠ VIGYÁZAT! Olvassa el az összes biztonsági figyelmeztetést és utasítást. A figyelmeztetések és utasítások be nem tartása áramütést, tüzet és/vagy súlyos sérülést okozhat.

A figyelmeztetéseket és utasításokat őrizze meg, mert később még szüksége lehet rájuk.

A figyelmeztetésekből az "elektromos szerszámgép" kifejezés az elektromos hálózatról működtetett (vezetékes) vagy az akkumulátoros (vezeték nélküli) elektromos gépet jelenti.

A munkaterület biztonsága

1. **Tartsa tisztán és kellően megvilágítva a munkakörnyezetet.** A rendezetlen vagy nem kellően megvilágított környezetben nagyobb a balesetek előfordulásának kockázata.
2. **Ne működtesse az elektromos szerszámgépet robbanásveszélyes környezetben, például éghető folyadékok, gázok vagy porok jelenlétében.** Az elektromos szerszámgép ugyanis a port vagy a gázokat begyújtó szikrát hozhat létre.
3. **Az elektromos szerszámgép működtetése közben gondoskodjon arról, hogy a közelben ne tartózkodjon senki, különös tekintettel a gyermekekre.** Ha valami eltereli a figyelmét, akkor elveszítheti a berendezés feletti uralmát.

Az elektromossággal kapcsolatos tudnivalók

4. **Az elektromos szerszámgép hálózati csatlakozódugóinak az aljzatba illőnek kell lenniük. A csatlakozódugót módosítani tilos. A testelt elektromos szerszámgépekhez semmilyen adaptercsatlakozót ne használjon.** A gyári, módosítás nélküli csatlakozódugók és a hozzájuk illő aljzatok csökkentik az áramütés kockázatát.
5. **Testével ne érjen testelt felületekhez, pl. csövekhez, radiátorokhoz, hűtőkhöz.** A kezelő testelése esetén magasabb az áramütés kockázata.
6. **Az elektromos szerszámgépet ne érje víz vagy nedvesség.** Az elektromos szerszámgépbe jutó víz megnöveli az áramütés kockázatát.
7. **Ügyeljen a kábel épségére.** Az elektromos szerszámgépet ne húzza a kábelnél fogva, a csatlakozódugót pedig ne a kábelnél fogva húzza ki az aljzataból. A kábelt tartsa távol hőforrásoktól, olajtól, éles peremektől és mozgó alkatrészekről. A sérült vagy összegabalyodott kábel használata megnöveli az áramütés kockázatát.
8. **Az elektromos szerszámgépet kültéren arra alkalmas hosszabbító kábellel üzemeltesse.** A kültéri használatra szolgáló hálózati kábel csökkenti az áramütés kockázatát.

9. **Ha mindenképpen nedves helyen kell használni az elektromos szerszámgépet, a tápellátást hibaáram-védőkapcsolóval (Fi-relé) védett hálózatról biztosítsa.** A Fi-relé használata csökkenti az áramütés kockázatát.

Személyi biztonság

10. **Legyen körültekintő, és figyeljen oda arra, amit csinál, amikor elektromos szerszámgéppel dolgozik.** Ha fáradt, narkotikumok, alkohol vagy gyógyszerek kezelése alatt áll, ne használjon elektromos szerszámgépet. Az elektromos szerszámgép használata közben egy pillanatnyi figyelmetlenség is súlyos személyi sérülést okozhat.
 11. **Mindig használjon személyi védőfelszerelést. Mindig viseljen védőszemüveget.** A munkavégzés körülményeinek megfelelő porvédő maszk, csúszásgátló munkavédelmi lábbeli, védősisak és hallásvédő használata csökkenti a személyi sérülések kockázatát.
 12. **Akadályozza meg, hogy a gép véletlen elindulhasson.** Gondoskodjon arról, hogy a táphálózatra és/vagy akkumulátoregységre való csatlakoztatás, a gép közbe vétele vagy szállítása előtt a kapcsoló kikapcsolt állásban legyen. Ha az elektromos szerszámgép szállítása közben újat a kapcsolón tartja vagy a bekapcsolt állapotú gépet áram alá helyezi, jelentősen megnöveli a balesetek kockázatát.
 13. **Az elektromos szerszámgép bekapcsolása előtt távolítsa el a beállításához használt összes szerszámot a gépből.** Az elektromos szerszámgép forgó részeiben lévő szerszám kipördülése személyi sérülést okozhat.
 14. **A gép üzemeltetése közben kerülje az egyensúly elvesztésével járó testhelyzeteket.** Mindig álljon stabilan, egyensúlyát őrizze meg. Így váratlan helyzetben is meg tudja őrizni az uralmát az elektromos szerszámgép felett.
 15. **Öltözzön fel a munkához megfelelően. Ne viseljen bő ruházatot vagy ékszereket. Tartsa távol a haját, a ruházatát és a kesztyűjét a mozgó alkatrészekről.** A bő ruházat, az ékszerek vagy a hosszú haj beakadhat a mozgó alkatrészekbe.
 16. **Ha a berendezések porszívó és -gyűjtő rendszerhez való csatlakozóval vannak ellátva, ügyeljen azok megfelelő csatlakoztatására és használatára.** A porgyűjtő használata mérsékli a porral kapcsolatos veszélyeket.
- #### Elektromos szerszámgépek használata és karbantartása
17. **Az elektromos szerszámgépet nem szabad túlerőltetni.** Az alkalmazási területnek megfelelő elektromos szerszámgépet használja. A megfelelő elektromos szerszámgép biztonságos és hatékony üzemeltetése a tervezett sebességgel érhető el.
 18. **Ne használja az elektromos szerszámgépet, ha nem lehet a kapcsolóval be- és kikapcsolni.** Ha az elektromos szerszámgép kapcsolója nem működik, a gépet veszélyes használni, ezért meg kell javíttatni.

19. Az elektromos szerszám gép beállítás, alkatrészeinek cseréje vagy tárolása előtt csatlakoztassa le a tápkábelt az áramforrásról és/vagy távolítsa el az akkumulátoregységet a szerszám gépről. Ha így tesz, csökkenti az elektromos szerszám gép véletlenszerű bekapcsolásának kockázatát.
20. A tárolás során az elektromos szerszám gépet tartsa távol a gyermekektől, és ne engedje, hogy olyan személy üzemeltesse, aki az elektromos szerszám gépet vagy ezeket az utasításokat nem ismeri. Az elektromos szerszám gépek veszélyesek a gyakorlatlan felhasználók kezében.
21. Az elektromos szerszám gépek karbantartása. Ellenőrizze a mozgó alkatrészek beállítását vagy rögzítését, az alkatrészek épségét, illetve az elektromos szerszám gép üzemeltetését befolyásoló valamennyi tényezőt. Ha az elektromos szerszám gép sérült, használat előtt javíttassa meg. Számos balesetet a nem megfelelően karbantartott elektromos szerszám gépek okoznak.
22. A vágószerszámok mindig tiszták és élesek legyenek. A gondosan karbantartott, éles vágóélekkel rendelkező vágószerszám kisebb valószínűséggel szorul be, és könnyebben irányítható.
23. Az elektromos szerszám gépet, a tartozékokat, szerszámszárakat stb. ezen utasításoknak megfelelően használja, figyelembe véve a munkakörülményeket és az elvégzendő munkát. Az elektromos szerszám gép rendeltetészerű használattól eltérő alkalmazása veszélyes helyzeteket teremthet.

Akkumulátoros szerszám gépek használata és karbantartása

24. Az akkumulátort csak a gyártó által megadott típusú töltővel töltsen fel. Az akkumulátoregységhez nem megfelelő akkumulátortöltő használata tüzet okozhat.
25. A szerszám gépeket csak a hozzájuk tervezett akkumulátoregységgel használja. Az ettől eltérő akkumulátoregység használata megnöveli a sérülés és a tűz kockázatát.
26. Ha nem használja az akkumulátoregységet, ne hagyja fémtárgyak, például gemkapcsok, pénzérmék, kulcsok, szegek, csavarok vagy más apró fémtárgyak közelében, amelyek rövidre zárhatják az akkumulátoregység érintkezőit. Az akkumulátor érintkezőinek rövidre zárása égési sérüléseket vagy tüzet okozhat.
27. Nem megfelelő körülmények mellett üzemeltetés esetén az akkumulátorból folyadék távozik; ügyeljen rá, hogy ne érintkezzen a kifolyt akkumulátorfolyadékkal. Ha véletlenül mégis akkumulátorfolyadékkal érintkezik, öblítse le vízzel. Ha a folyadék a szemébe jut, öblítse ki, és forduljon orvoshoz. Az akkumulátorból távozó folyadék irritációt vagy égési sérülést okozhat.

Szervizelés

28. Az elektromos szerszám gép szervizelését kizárólag szakemberrel végeztesse; ennek során kizárólag az eredetivel megegyező cserealkatrészek használhatók. Ez garantálja az elektromos szerszám gép biztonságának megőrzését.
29. Tartsa be a kenésre és a tartozékok cseréjére vonatkozó utasítást.
30. A gép fogantyúit tartsa szárazon, olajtól és zsírtól mentesen.

A vezeték nélküli vákuumszivattyúra vonatkozó biztonsági figyelmeztetések

Figyelmesen olvassa el a szakirodalomban található utasításokat; az eljárások szigorú betartása elsődleges feltétele a kezelő biztonságának.

1. A vákuumszivattyú egy olyan gép, amely a hűtő- és légkondicionáló rendszerek, valamint visszanyerő tartályok kiürítésére szolgál. Ettől eltérő feladatokra ne használja. Ha mégis így tesz, azzal balesetet idézhet elő.
2. Használat előtt mindig ellenőrizze, hogy nem szivárogo-e a vákuumszivattyú. Ennek elmulasztása tüzet okozhat.
3. A biztonságos és hatékony munkavégzés érdekében ellenőrizze az olajsintet és az olaj állapotát (elhasználódását stb.).
4. Viseljen védőszemüveget és védőkesztyűt a hűtőközeg kezelésekor; kerülje a hűtőközeggel való érintkezést, mert az a kezelő sérülését és látásvésztesét okozhatja.
5. Szélsőségesen hideg vagy meleg környezetben nem érhető el megfelelő teljesítmény.

ŐRIZZE MEG EZEKET AZ UTASÍTÁSOKAT.

▲ VIGYÁZAT! A gép gyakori használatából eredő rutin miatt **NE FELEDKEZZEN MEG** a biztonsági óvintézkedések szigorú betartásáról.

A gép **NEM RENDELTETÉSSZERŰ** használata vagy a kezelő kézikönyv biztonsági óvintézkedéseinek be nem tartása súlyos személyi sérülést okozhat.

Fontos biztonsági tudnivalók az akkumulátorkazettával kapcsolatban

1. Az akkumulátorkazetta használata előtt olvassa el az (1) akkumulátortöltőre, (2) az akkumulátorra és (3) az akkumulátorral működő készülékre vonatkozó utasításokat és figyelmeztető jelzéseket.
2. Ne szerelje szét az akkumulátorkazettát.
3. Ha azt tapasztalja, hogy az akkumulátor üzemideje jelentősen lerövidül, akkor azonnal függesse fel a készülék használatát. Ilyen esetben az akkumulátor túlmelegedhet, kigyulladhat vagy fel is robbanhat.

4. Ha elektrolit jut a szemébe, akkor öblítse ki tiszta vízzel, és forduljon azonnal orvoshoz. A szembe jutott elektrolit vakságot okozhat.
5. Ne zárja rövidre az akkumulátorkazettát.
 - (1) Ne érintse meg a pólusokat semmilyen vezetőképes anyaggal.
 - (2) Ne tartsa az akkumulátorkazettát szögeket, érméket vagy egyéb fémtárgyakat is tartalmazó tárolóban.
 - (3) Ne tegye ki az akkumulátorkazettát víznek vagy esőnek.

Az akkumulátor rövidzárlata az elektromos töltések nagyarányú áramlását, túlmelegedést, égést és meghibásodást eredményezhet.
6. Ne tárolja a készüléket és az akkumulátorkazettát olyan helyiségben, ahol a hőmérséklet eléri vagy meghaladja az 50 °C-ot.
7. Ne dobja tűzbe az akkumulátorkazettát még akkor sem, ha súlyosan károsodott vagy teljesen elhasználódott. Tűz hatására az akkumulátorkazetta felrobbanhat.
8. Ne ejtse le és ne ütögesse az akkumulátort.
9. Ne használjon sérült akkumulátort.
10. Az akkumulátor ártalmatlanítása során tartsa be a helyi előírásokat.

ŐRIZZE MEG EZEKET AZ UTASÍTÁSOKAT.

▲FIGYELEM! Kizárólag eredeti Makita akkumulátorokat használjon. Nem eredeti Makita gyártmányú vagy módosított akkumulátorok használata esetén az akkumulátor felrobbanhat, tüzet, személyi sérülést és kárt okozva. Nem eredeti Makita gyártmányú vagy módosított akkumulátor használata a Makita szerszámgépre és töltőre vonatkozó garancia elvesztését is magával vonja.

Ötletek az akkumulátor maximális élettartamának eléréséhez

1. Töltse fel az akkumulátorkazettát, mielőtt teljesen lemerül. Ha az elektromos készülék teljesítményének csökkenését tapasztalja, akkor fejezze be a munkát, és cserélje ki az akkumulátorkazettát.
2. Soha ne töltsön újra teljesen feltöltött akkumulátorkazettát. A túltöltés csökkenti az akkumulátor élettartamát.
3. Az akkumulátorkazettát szobahőmérsékleten töltsen (10–40 °C). A felmelegedett akkumulátorkazetta töltése előtt várja meg, amíg lehül.
4. Ha huzamosabb ideig (több mint hat hónapig) nem használja az akkumulátorkazettát, akkor töltsen fel.

AZ ALKATRÉSZEK ISMERTETÉSE

► 1. ábra:

- | | |
|-------------------------------|-----------------|
| 1. Kémlélőablak | 7. Akkumulátor |
| 2. Olajbetöltő-/kipufogósapka | 7. Tápkapcsoló |
| 3. A szívócsonk elzárószelepe | 8. LED-lámpa |
| 4. Fogantyú | 9. Motor |
| 5. Akkumulátortartó | 10. Alap |
| | 11. Olajtartály |
| | 12. Záródugó |

A MŰKÖDÉS LEÍRÁSA

▲FIGYELEM! A szivattyú beállítása és működésének ellenőrzése előtt mindig kapcsolja ki a szivattyút, és távolítsa el az akkumulátorkazettát.

Az akkumulátorkazetta behelyezése és eltávolítása

▲FIGYELEM! Az akkumulátorkazetta behelyezése vagy eltávolítása előtt mindig kapcsolja ki a szivattyút.

▲FIGYELEM! Az akkumulátorkazetta behelyezése vagy eltávolítása közben fogja szorosan a szivattyút és az akkumulátorkazettát. Ha nem fogja szorosan a szivattyút és az akkumulátorkazettát, akkor azok kicsúszhatnak a kezéből, ami a szivattyú és az akkumulátorkazetta károsodásához, továbbá személyi sérüléshez vezethet.

► 2. ábra:

- | | |
|-----------------|-----------------------|
| 1. Piros jelzés | 3. Akkumulátorkazetta |
| 2. Gomb | |

Az akkumulátorkazettát az előoldalán lévő gombot elcsúsztatva húzza ki a szivattyúból.

Beszerezéshez igazítsa egymáshoz a ház mélyedését és az akkumulátorkazetta kiálló fülét, majd csúsztassa a helyére az akkumulátorkazettát. Teljesen tolja a helyére, amíg kattánó hangot nem hall. Ha látszik a gomb felső részén lévő piros jelzőpont, akkor nincs teljesen a helyén.

▲FIGYELEM! Az akkumulátorkazettát mindig teljesen be kell helyezni, úgy, hogy a piros jelzés ne látszódjon. Ellenkező esetben az akkumulátorkazetta lecsúszhat a szivattyúról, személyi sérülést okozva a kezelőnek vagy a közelben állóknak.

▲FIGYELEM! Ne erőltesse az akkumulátorkazetta behelyezését. Ha az akkumulátorkazetta nem csúszik be könnyedén, akkor nem megfelelő a behelyezése.

Akkumulátorvédelmi rendszer

► 3. ábra:

1. Csillag jelölés

A szivattyú akkumulátorvédelmi rendszerrel rendelkezik. A rendszer automatikusan megszakítja a motor áramellátását az akkumulátor élettartamának növelése érdekében.

A szivattyú automatikusan lekapcsol működés közben, ha a szivattyúra és/vagy az akkumulátorra vonatkozóan a következő feltételek egyike áll be:

Túlterhelés:

A szivattyút olyan módon üzemeltetik, hogy rendellenesen magas lesz az áramfelvétele.

Ilyenkor kapcsolja ki a szivattyút, és állítsa le azt az alkalmazást, amely a szivattyú túlterhelését okozta. Az újraindításhoz ismét kapcsolja be a szivattyút.

Ha a szivattyú nem indul el, akkor az akkumulátor túlmelegedett.

Ilyen esetben várja meg, míg az akkumulátor lehül, és csak azután kapcsolja be újra a szivattyút.

Alacsony akkumulátorfeszültség:

Az akkumulátor maradék kapacitása túl alacsony, és a szivattyú nem működik. Ilyen esetben vegye ki és töltsse fel az akkumulátort.

MEGJEGYZÉS: A túlmelegedés elleni védelem csak csillaggal jelölt akkumulátorkazetták esetében működik.



















Az akkumulátor töltöttségi szintjének kijelzése

Csak a "B" betűre végződő modellszámú akkumulátorkazetták esetén

► 4. ábra:

1. Jelzőfények
2. Check (Ellenőrzés) gomb

Nyomja meg a check (ellenőrzés) gomb az akkumulátorkazettán a töltöttségi szint megjelenítéséhez. A jelzőfények néhány másodpercig világítanak.

Jelzőfények			Hátralévő kapacitás
 Világít	 Nem világít	 Villog	
			75–100%
			50–75%
			25–50%
			0–25%
			Töltsse fel az akkumulátort.
 	 	 	Előfordulhat, hogy az akkumulátor meghibásodott.

MEGJEGYZÉS: A környezeti tényezőktől és a hőmérséklettől függően elképzelhető, hogy a kijelzett érték eltér a tényleges töltöttségi szinttől.

MŰKÖDTETÉS

Az újonnan vásárolt szivattyú nem tartalmaz olajat.

Az "Olaj betöltése" rész útmutatása alapján töltsön be olajat.

⚠ VIGYÁZAT! Ha olaj feltöltése nélkül üzemelteti a szivattyút, az a készülék károsodásához vezet. Ezenkívül az olajtartály felmelegedését okozza, ami égési sérülést vagy egyéb balesetet eredményezhet.

Olaj betöltése

► 5. ábra:

1. Olajbetöltő-/kipufogósapka
2. Feltöltési szintet jelző vonal
3. Kémlelőablak
4. Olajtartály

1. Távolítsa el az olajbetöltő-/kipufogósapkát, és a feltöltőcsokon keresztül töltsse be a szivattyúhoz kapott olajat.

ÉRTEŚÍTÉS: A szivattyú teljesítményének megőrzése érdekében mindig eredeti Makita olajat használjon.

2. Addig töltsse az olajat, amíg az olaj szintje kémlelőablak felső- és alsó szintjelző vonalai között nem lesz.

ÉRTEŚÍTÉS: A megfelelő olajsint fontos. Ha úgy üzemelteti a szivattyút, hogy az olaj szintje nem az alsó és felső szintjelző vonalak között van, az működési hibát okozhat.

A teljesítmény ellenőrzése

► 6. ábra:

1. Szívócsonk
2. Alacsony nyomású oldali szelep
3. Vákuumszivattyú
4. Elosztótömb

1. Csatlakoztassa az elosztótömb alacsony nyomású oldali szelepét és a szivattyú szívócsonkját egy töltőtömlővel.

2. Zárja el az elosztótömb alacsony nyomású oldali szelepét.

3. Nyissa ki a szívócsonk elzárószelepét.

4. Nyissa ki a bemeneti szelepet.

5. Kapcsolja be a szivattyút. Ha az elosztótömb nyomása 30 másodperc alatt $-0,09$ – $-0,1$ MPa közötti értéket mutat, a szivattyú megfelelően működik.

6. Kapcsolja ki a szivattyút.

Működtetés

► 7. ábra:

1. Vákuumszivattyú
 2. A szívócsonk elzárószelepe
 3. Töltőtömlő (sárga)
 4. Elosztótömb
 5. Alacsony nyomású oldali szelep
 6. Alacsony nyomású mérőműszer
 7. Magas nyomású oldali szelep
 8. Töltőtömlő (kék)
 9. Szervizcsatlakozó (alacsony nyomású oldali)
 10. Kültéri egység
1. Csatlakoztassa tömlőkkel a szivattyút, az elosztótömböt és a kültéri egységet.

MEGJEGYZÉS: Ha az egységen lévő szervizcsatlakozó mérete 1/4", akkor használja a berendezés tartozékaként kapott, eltérő átmérőhöz való adaptert.

2. Győződjön meg róla, hogy az elosztótömb magas és alacsony nyomású oldali szelepei zárva vannak.
3. Szerelje fel az akkumulátort a szivattyúra. (A felszerelési eljárást lásd "Az akkumulátorkazetta behelyezése és eltávolítása" című részben.)
4. Kapcsolja be a szivattyút. Kigyullad a LED-lámpa (zöld).
5. Nyissa ki a szivattyú szívócsonkjának elzárószelepét és az elosztótömb alacsony nyomású oldali szelepét.

⚠VIGYÁZAT! A szivattyú üzemelés közben felmelegszik, és közvetlenül a leállítást követően is forró. Ne érintse meg a szivattyút amikor az forró. Ha mégis így tesz, az égési sérülést vagy egyéb baleseteket okozhat.

MEGJEGYZÉS: Előfordulhat, hogy a motor hidegen (5 °C vagy alacsonyabb hőmérsékleten) nem működik. Ilyen esetekben vigye be a szivattyút zárt térbe, és hagyja felmelegedni.

6. Amikor eléri az előírt vákuumot (lásd a légkondicionáló gyártói kézikönyvében), zárja el az elosztótömb alacsony nyomású oldali szelepét.
7. Zárja el a szívócsonk elzárószelepét, és kapcsolja ki a szivattyút.

A légmentes zárás ellenőrzése

Nincs szivárgás, ha az elosztótömb nyomása legalább 5 percig nem emelkedik, miután nem változtatott a szivattyú és az elosztótömb beállításain.

MEGJEGYZÉS: Ha az akkumulátor hátralévő töltöttségi szintje alacsony, a LED-lámpák kialszanak, és ezzel egy időben hosszú, sípoló hangjelzés hallható. Körülbelül két perccel később a motor leáll. Ezután a hangjelzés rövid időközönként ismétlődő sípolásra vált, jelezve a motor leállítását, majd 30 másodperccel később a hangjelzés abbamarad. Nem ajánlott azonban megvárni a motor leállítását (vagy azt, hogy a hangjelzés rövid időközönként ismétlődő sípolásra vált), ehelyett zárja el a bemeneti szelepét és az elosztótömb alacsony nyomású oldali szelepét.

Ellenőrizze, hogy a szivattyú ki van-e kapcsolva, távolítsa el az akkumulátort, és töltsé fel, vagy cserélje ki egy tartalék akkumulátorral.

- Az akkumulátor-üzemidőket lásd az alábbi táblázatban.

Üzemidő (irányadó)

Akkumulátor	Üzemidő
BL1860B	75 perc
BL1850 / BL1850B	50 perc
BL1840 / BL1840B	40 perc
BL1830 / BL1830B	30 perc

- A munka befejezését követően távolítsa el az akkumulátort, és helyezze fel a burkolatot.

ÉRTESTÍTÉS: A szivattyút szállítás, üzemeltetés és tárolás közben soha ne állítsa az oldalára vagy fejjel lefelé. Ez olajszivárgást okozhat az olajbetöltő-/szellőztetősapkán keresztül.

Szállítás és tárolás

- Szállítás előtt mindig engedje le a vákuumszivattyúból az összes folyadékot, hogy elkerülje a tartály sérülését.
- Mindig fedje le a szívócsonkot egy sapkával, nehogy szennyeződés kerüljön a szivattyúba.
- Ügyeljen arra, hogy a szivattyú vízszintes helyzetben maradjon.
- A szivattyút beltéren, 5–40 °C közötti hőmérsékleten kell tárolni.

KARBANTARTÁS

⚠FIGYELEM! Karbantartás vagy ellenőrzés előtt mindig győződjön meg arról, hogy a szivattyút kikapcsolták, és az akkumulátorkazettát kivették a készülékből.

ÉRTESTÍTÉS: Soha ne használjon gázolajat, benzint, hígítószert, alkoholt vagy hasonló szereket. Ezek használata elszíneződést, deformációt vagy repedéseket okozhat.

A termék BIZTONSÁGÁNAK és MEGBÍZHATÓSÁGÁNAK megőrzése érdekében minden más karbantartási és beállítási munkát a Makita hivatalos vagy gyári márkaszervizeinek kell elvégeznie Makita pótalkatrészek felhasználásával.

Állítsa le a szivattyút:

A szivattyú élettartamának meghosszabbítása és a simább indítás érdekében be kell tartani a szivattyú leállítására vonatkozó alábbi utasításokat.

1. Zárja el a szivattyú és a rendszer közti elosztótömbszelepet.
2. Távolítsa el a tömlőt a szivattyú bemeneti csónkjáról.

Fedje le a bemeneti nyílást, hogy megakadályozza a szennyeződések vagy idegen részecskék bejutását.

Az olaj ellenőrzése

► 8. ábra:

1. Feltöltési szintet jelző vonal
2. Kémlelőablak

- A szivattyú használata előtt mindig ellenőrizze az olaj szintjét és állapotát (elhasználódását stb.).

MEGJEGYZÉS: Addig töltsze az olajat, amíg az olaj szintje a kémlelőablak felső- és alsó szintjelző vonalai között nem lesz.

Olajcsere

► 9. ábra:

1. A szívócsonk elzárószelepe
 2. Záródugó
1. Nyissa ki a szívócsonk elzárószelepét.
 2. Működtesse 1 vagy 2 percig a szivattyút, hogy az olaj felmelegedjen.
 3. Kapcsolja ki a szivattyút.
 4. Távolítsa el a záródugót, és engedje le az olajat.
 5. Az "Olaj betöltése" rész útmutatása alapján töltsön be új olajat.
- A helyi előírásoknak megfelelően ártalmatlanítsa a használt olajat.

MEGJEGYZÉS: 20 üzemóra után ajánlott olajat cserélni, hogy megóvja a szivattyú alkatrészeit a szivattyúba került szennyeződésekétől.

Régi légkondicionáló rendszerek vákuumozása során minden használat után cseréljen olajat.

Vákuumszivattyú-olaj:

A vákuumszivattyúban használt olaj állapota és típusa rendkívül fontos az elérhető vákuum mértékének szempontjából. Ajánlott nagy teljesítményű vákuumszivattyú-olajat használni, amely kifejezetten arra készült, hogy normál hőmérsékleten fenntartsa a maximális viszkozitást, és javítsa a hidegindítási tulajdonságokat.

A szivattyú tisztítása

1. Ha az olaj rendkívül szennyezett, cserélje le az olajat, és működtesse a szivattyút 3–5 percig.
 2. Engedje le az olajat, és töltsön be új olajat.
- Ha a leengedett olaj még mindig szennyezett, ismételje meg a tisztítási eljárást két vagy három alkalommal.

Hibaelhárítás

Probléma	Lehetséges ok	Megoldás
A szivattyú nem indul el.	<ol style="list-style-type: none">1. Az akkumulátort nem megfelelően állították be.2. A környezeti hőmérséklet túl alacsony.3. Nem megfelelő a vezetékek csatlakozása.4. A szivattyú megszorult.5. Motorhiba.	<ol style="list-style-type: none">1. Állítsa be megfelelően az akkumulátorokat.2. Melegítse fel a szivattyút zárt térben.3. Javítsa meg.4. Javítsa meg.5. Javítsa meg.
A szivattyú nem állít elő elegendő vákuumot.	<ol style="list-style-type: none">1. Szívárog a rendszer.2. Nem elegendő az olaj mennyisége.3. Szennyezett az olaj.4. A szivattyú alkatrészei kopottak.5. Sérült csatlakozások és tömítések.6. Motorhiba.	<ol style="list-style-type: none">1. Javítsa meg a rendszert.2. Töltsze fel vagy cserélje le az olajat.3. Tisztítsa meg a tartályt, és cserélje le az olajat.4. Javítsa meg.5. Javítsa meg.6. Javítsa meg.
Olajszivárgás.	<ol style="list-style-type: none">1. Sérült tömítések és tengelytömítések.2. Sérült a záródugó O-gyűrűje.3. Laza a záródugó.	<ol style="list-style-type: none">1. Javítsa meg.2. Cserélje ki az O-gyűrűt.3. Húzza meg a záródugót.
Rendellenes zaj.	<ol style="list-style-type: none">1. Motorhiba.2. Csapágy-meghibásodás.3. Laza csavarok.4. Szivattyú-meghibásodás.5. A szivattyú levegőt szív.	<ol style="list-style-type: none">1. Javítsa meg.2. Javítsa meg.3. Húzza meg a csavarokat.4. Javítsa meg.5. Húzza meg a sapkákat és a csatlakozásokat. Cserélje ki a tömítéseket és az O-gyűrűket. Cserélje ki a csatlakozókat, vagy ismét tömítse le őket.

Megjegyzés: Ha ezek az eljárások nem oldják meg a problémát, vegye fel a kapcsolatot a legközelebbi hivatalos Makita márkakereskedővel, vagy küldje el a szivattyúját a szervizközpontunkba.

OPCIONÁLIS TARTOZÉKOK

▲FIGYELEM! A jelen kézikönyvben leírt Makita szerszámgéphez az itt ismertetett tartozékok vagy kiegészítők használatát javasoljuk. Bármilyen más tartozék vagy kiegészítő használata személyi sérülés veszélyével járhat. A tartozékokat és kiegészítőket csak a rendeltetésüknek megfelelően használja.

Ha a tartozékokkal kapcsolatban segítségre vagy részletesebb tájékoztatásra van szüksége, kérje a helyi Makita szervizközpont segítségét.

- Eredeti Makita akkumulátorok és töltők
- Vákuumszivattyú-olaj 150 ml
- Alumíniumdoboz a vákuumszivattyúhoz
- Vákuumszivattyú-tömlő
- Vákuumszivattyú-szelep mérőórával

MEGJEGYZÉS: Előfordulhat, hogy néhány felsorolt elem a szerszámgép alapáras tartozéka. Az, hogy pontosan mely tartozékokról van szó, országonként változhat.

ŠPECIFIKÁCIE

Model:	DVP180
Akumulátor (kapacita)	BL 1860B (6,0 Ah) BL 1850 / BL 1850B (5,0 Ah) BL 1840 / BL 1840B (4,0 Ah) BL 1830 / BL 1830B (3,0 Ah)
Menovité napätie	18 V jednosm.
Čerpadlo	Jednostupňové rotačné čerpadlo
Výtlak voľného vzduchu	50 l/min
Maximálne vákuum	20 Pa
Objem oleja	100 – 115 ml
Prívod	5/16" rozšírený s vonkajším závitom
Rozmery	263 mm (D) × 93 mm (Š) × 172 mm (V)
Čistá hmotnosť (s akumulátorom BL1850)	3,5 kg

- Kvôli nášmu pokračujúcemu programu výskumu a vývoja podliehajú technické údaje uvedené v tomto dokumente zmenám bez upozornenia.
- Technické údaje a akumulátor sa môžu líšiť v závislosti od krajiny.
- Hmotnosť s akumulátorom podľa Postupu EPTA 01/2003

Vákuové čerpadlo na odsávanie vzduchu uzatvorených systémov (klimatizačné zariadenia, nádrže, atď.).

Toto zariadenie je výslovne určené pre systémy klimatizácie s vyhrievaním a vetraním.

Jeden stupeň týchto čerpadiel umožňuje dosiahnuť požadovanú úroveň maximálneho vákuua.

Veľké pozorovacie okienko a konštrukcia s nízkou hladinou oleja zabraňujú chodu bez oleja a zaisťujú spoľahlivé použitie.

Okrem toho, bezpečnostný spätný ventil zabraňuje prenikaniu akejkoľvek zmesi oleja v dôsledku spätnému toku po prerušení napájania alebo prerušení akéhokoľvek iného procesu.

Symbols

V nasledujúcej časti sú uvedené symboly používané pre toto zariadenie.

Pred jeho použitím sa uistite, že rozumiete ich významu.



- Prečítajte si návod na obsluhu.



- Výstraha: horúci povrch!
Nedotýkajte sa miest okolo tohto symbolu.
Dotýkanie sa povrchu môže spôsobiť popáleniny alebo zranenia.



- Len pre krajiny EÚ
Nelikvidujte elektrické zariadenia ani akumulátory spolu s komunálnym odpadom!

V súlade s dodržaním Európskych smerníc o zbere a recyklácii elektrického a elektronického odpadu vrátane opotrebovaných akumulátorov a batérií a ich zavedením do celoštátnej legislatívy sa musia elektrické zariadenia, batérie a akumulátory, ktoré dosiahli koniec svojej životnosti, zberať osobitne a odovzdávať do stredísk vykonávajúcich recykláciu spôsobom šetrným k životnému prostrediu.

VYHLÁSENIE O ZHODE V RÁMCI ES

Len pre európske krajiny

Vyhlasenie o zhode v rámci ES je zahrnuté do tohto návodu na obsluhu ako Príloha A.

Všeobecné bezpečnostné výstrahy týkajúce sa elektrického náradia

▲VÝSTRAHA: Prečítajte si všetky bezpečnostné výstrahy a všetky pokyny. Nedodržanie výstrah a pokynov môže viesť k zasiahnutiu elektrickým prúdom, vzniku požiaru a/alebo vážnemu zraneniu.

Uchovajte všetky výstrahy a pokyny pre potreby v budúcnosti.

Pojem „elektrické náradie“ vo výstrahách označuje elektrické náradie s napájaním z elektrickej siete (s pripojením pomocou sieťového napájacieho kábla) alebo elektrické náradie s napájaním z akumulátora (akumulátorové napájanie).

Bezpečnosť pracoviska

1. **Pracovisko udržiavajte v čistote a dobre osvetlené.** Pracoviská preplnené rôznymi predmetmi a so slabým osvetlením predstavujú zvýšené riziko nehôd.

2. **Elektrické náradie nepoužívajte v prostredíach s nebezpečenstvom výbuchu, ako napríklad v prítomnosti horľavých kvapalín, plynov alebo prachu.** Elektrické náradia vytvárajú iskry, ktoré môžu spôsobiť vznietenie prachu alebo výparov.
3. **Počas obsluhy elektrického náradia nedovoľte deťom a okolostojacim osobám, aby sa k vám priblížili.** Nepozornosť môže spôsobiť, že stratíte kontrolu.

Bezpečnosť elektrických zariadení

4. **Zástrčky elektrických náradí musia zodpovedať elektrickej zásuvke. Nikdy žiadnym spôsobom neupravujte elektrickú zástrčku. Nepoužívajte žiadne adaptérové zástrčky s uzemneným elektrickým náradím.** Neupravené elektrické zástrčky a zodpovedajúce elektrické zásuvky znížia riziko zasiahnutia elektrickým prúdom.
5. **Vyhýbajte sa kontaktu tela s uzemnenými povrchmi, ako sú potrubia, radiátory, sporáky a chladničky.** Ak je vaše telo uzemnené, hrozí zvýšené riziko zasiahnutia elektrickým prúdom.
6. **Nevystavujte elektrické náradie pôsobeniu dažďa či vlhkému prostrediu.** Voda vnikajúca do elektrického náradia zvýši riziko zasiahnutia elektrickým prúdom.
7. **S napájacím káblom nezaobchádzajte nešetrne. Nikdy nepoužívajte napájací kábel na prenášanie, ťahanie či odopájanie elektrického náradia od elektrickej zásuvky. S napájacím káblom sa nepribližujte k teplu, oleju, ostrým hranám či pohyblivým častiam.** Poškodené alebo zamotané napájacie káble zvyšujú riziko zasiahnutia elektrickým prúdom.
8. **Pri obsluhu elektrického náradia vo vonkajšom prostredí používajte predlžovací kábel vhodný do vonkajšieho prostredia.** Použitie kábla vhodného do vonkajšieho prostredia znižuje riziko zasiahnutia elektrickým prúdom.
9. **Ak je obsluha elektrického náradia vo vlhkom prostredí nevyhnutná, použite prívod napájania vybavený prúdovým chráničom (GFCI).** Použitie prúdového chrániča (GFCI) znižuje riziko zasiahnutia elektrickým prúdom.

Bezpečnosť osôb

10. **Zostávajte ostražití, venujte sa svojej práci a používajte zdravý rozum, keď obsluhujete elektrické náradie. Nepoužívajte elektrické náradie, pokiaľ ste unavení alebo pod vplyvom narkotík, alkoholu či liekov.** Chvilka nepozornosti počas obsluhy elektrického náradia môže viesť k vážnemu zraneniu osôb.
11. **Používajte osobné ochranné prostriedky. Vždy používajte ochranu zraku.** Ochranné prostriedky, ako sú protiprachová maska, protišmyková ochranná obuv, ochranná prilba alebo ochrana sluchu, používané v zodpovedajúcom prostredí znižujú riziko zranení osôb.
12. **Zabráňte neúmyselnému spusteniu. Pred pripojením k zdroju sieťového napájania a/alebo akumulátoru, zdvihnutím alebo prenášaním náradia sa uistite, že je hlavný vypínač v polohe vypnutia.** Prenášanie elektrického náradia s prstom na hlavnom vypínači alebo privedenie napätia do elektrického náradia, ktoré má zapnutý vypínač, predstavuje riziko vzniku nehôd.
13. **Pred zapnutím elektrického náradia odstráňte akýkoľvek nastavovací kľúč alebo priťahovací kľúč.** Ponechanie kľúča pripojeného k otáčavej časti elektrického náradia môže viesť k zraneniu osôb.
14. **Nesnažte sa siahať do príliš vzdialených miest. Vždy zachovávajte pevnú pôdu pod nohami a rovnováhu.** Umožňuje to lepšiu kontrolu nad elektrickým náradím v neočakávaných situáciách.
15. **Používajte vhodný odev. Nepoužívajte voľný odev ani šperky. Nepribližujte sa vlasmi, odevom a rukavicami k pohyblivým častiam.** Voľný odev, šperky či dlhé vlasy sa môžu zachytiť do pohyblivých častí.
16. **Ak sú zariadenia vybavené na pripojenie k systémom odsávania a zberu prachu, zabezpečte, aby sa pripojili a správne používali.** Použitie zberu prachu môže znížiť nebezpečenstvo spojené s prachom.

Používanie elektrického náradia a starostlivosť o elektrické náradie

17. **Na elektrické náradie nepôsobte nadmernou silou. Použite správne elektrické náradie pre vašu aplikáciu.** Správne elektrické náradie vykoná prácu lepšie a bezpečnejšie rýchlosťou, pre ktorú bolo skonštruované.
18. **Nepoužívajte elektrické náradie, ak nefunguje zapínanie a vypínanie hlavného vypínača.** Akékoľvek elektrické náradie, ktoré sa nedá ovládať pomocou hlavného vypínača, je nebezpečné a musí sa opraviť.
19. **Pred vykonávaním akýchkoľvek nastavení, výmenou príslušenstva alebo uskladnením elektrického náradia odpojte elektrickú zástrčku od zdroja sieťového napájania a/alebo akumulátor od elektrického náradia.** Takéto preventívne bezpečnostné opatrenia znižujú riziko náhodného spustenia elektrického náradia.
20. **Nečinné elektrické náradie skladujte mimo dosahu detí a nedovoľte osobám, ktoré nie sú oboznámené s daným elektrickým náradím ani týmto návodom, aby obsluhovali príslušné elektrické náradie.** Elektrické náradie je nebezpečné v rukách nezaškolených používateľov.
21. **Zabezpečte údržbu elektrického náradia. Skontrolujte výskyt nesprávneho nastavenia alebo pripojenia pohyblivých častí, narušenia častí a akéhokoľvek iného stavu, ktorý môže ovplyvniť činnosť elektrického náradia. Ak došlo k poškodeniu, pred použitím dajte elektrické náradie opraviť.** Mnohé nehody sú spôsobené nedostatočnou údržbou elektrického náradia.
22. **Rezné náradie udržiavajte ostré a v čistote.** Správne udržiavané rezné náradie s ostrými reznými hranami sa s menšou pravdepodobnosťou zablokuje a ľahšie sa ovláda.
23. **Elektrické náradie, príslušenstvo a nadstavce náradia, atď., používajte v súlade s týmto návodom, pričom vezmite do úvahy pracovné podmienky a prácu, ktorá sa má vykonať.** Použitie elektrického náradia na úkony odlišné od tých, pre ktoré je určené, by mohlo viesť k nebezpečnej situácii.

Používanie akumulátorového náradia a starostlivosť o akumulátorové náradie

- Zariadenie nabíjajte len pomocou nabíjačky určenej výrobcom. Nabíjačka vhodná pre jeden typ akumulátora môže predstavovať riziko vzniku požiaru, keď sa použije s iným akumulátorom.
- Elektrické náradie používajte len s výslovne určenými akumulátormi. Použitie akýchkoľvek iných akumulátorov môže predstavovať riziko zranenia alebo vzniku požiaru.
- Keď sa akumulátor nepoužíva, uchovávajte ho mimo iných kovových predmetov, ako sú kancelárske sponky, mince, kľúče, klince, skrutky či iné malé kovové predmety, ktoré môžu vytvoriť spojenie medzi jednotlivými pólmí svoriek. Skratovanie svoriek akumulátora môže spôsobiť popáleniny alebo vznik požiaru.
- Pri nešetnom zaobchádzaní môže z akumulátora vystreknúť elektrolyt; vyhýbajte sa kontaktu. Ak dôjde k náhodnému kontaktu, zasiahnuté miesto vypláchnite vodou. Ak sa elektrolyt dostane do očí, vyhľadajte aj lekársku pomoc. Elektrolyt, ktorý unikol z akumulátora, môže spôsobiť podráždenie alebo poleptanie pokožky.

Servis

- Servis elektrického náradia nechajte vykonať kvalifikovanému servisnému pracovníkovi, ktorý použije len identické náhradné diely. Týmto sa zaisťujú zachovanie bezpečnosti elektrického náradia.
- Dodržiavajte pokyny na mazanie a výmenu príslušenstva.
- Rukoväť udržiavajte suchú, čistú a bez oleja a maziva.

Bezpečnostné výstrahy týkajúce sa akumulátorového vákuového čerpadla

Pozorne si prečítajte pokyny v literatúre, prísne dodržiavanie postupov je hlavnou podmienkou pre bezpečnosť operátora.

- Vákuové čerpadlo je stroj, ktorý sa používa na odvzdušňovanie chladiacich a klimatizačných zariadení a rekuperačných nádob. Nepoužívajte ho na iné aplikácie. V opačnom prípade môže dôjsť k nehodám.
- Vákuové čerpadlo pred použitím vždy skontrolujte, či sa na ňom nevyskytujú úniky oleja. Nedodržanie tohto pokynu môže viesť k vzniku požiaru.
- Skontrolujte hladinu a stav oleja (znehodnotenie, atď.), aby bola možná bezpečná a účinná práca.
- Pri manipulácii s chladivom používajte ochranné okuliare a rukavice; vyhýbajte sa kontaktu s chladivom, výsledkom môže byť oslepnutie a zranenie operátora.
- V prostrediach s mimoriadne vysokou alebo nízkou teplotou sa nemusí dosiahnuť primeraný výkon.

TIETO POKYNY SI USCHOVAJTE.

▲VÝSTRAHA: NEDOVOLTE pohodliu alebo znalosti výrobku (získanej z opakovaného použitia) nahradiť prísne dodržiavanie bezpečnostných predpisov týkajúcich sa predmetného výrobku.

NESPRÁVNE POUŽITIE alebo nedodržanie bezpečnostných predpisov uvedených v tomto návode na obsluhu môže spôsobiť vážne zranenie osôb.

Dôležité bezpečnostné pokyny týkajúce sa akumulátora

- Pred použitím akumulátora si prečítajte všetky pokyny a výstražné označenia na (1) nabíjačke, (2) akumulátore a (3) výrobku, ktorý používa akumulátor.
- Akumulátor nerozoberajte.
- Ak sa prevádzková doba značne skráti, okamžite zastavte činnosť. Môže to viesť k riziku prehriatia, možným popáleninám a dokonca aj k výbuchu.
- Ak sa elektrolyt dostane do očí, vypláchnite ich čistou vodou a okamžite vyhľadajte lekársku pomoc. Môže to viesť k strate zraku.
- Akumulátor neskratujte:
 - Nedotýkajte sa svoriek žiadnym vodivým materiálom.
 - Akumulátor neskladujte v nádobe s inými kovovými predmetmi, ako sú klince, mince, atď.
 - Akumulátor nevystavujte pôsobeniu vody či dažďa.Skratovanie akumulátora môže spôsobiť veľký tok prúdu, prehriatie, možné popáleniny a dokonca aj poruchu.
- Elektrické náradie a akumulátor neskladujte na miestach, kde teplota môže dosiahnuť alebo prekročiť 50 °C.
- Akumulátor nespálujte ani v prípade, že je vážne poškodený alebo úplne opotrebovaný. Akumulátor môže v ohni vybuchnúť.
- Dávajte pozor, aby vám akumulátor nespadol ani neutrpel náraz.
- Nepoužívajte poškodený akumulátor.
- Dodržiavajte miestne predpisy týkajúce sa likvidácie akumulátora.

TIETO POKYNY SI USCHOVAJTE.

▲POZOR: Používajte len originálne akumulátory Makita. Použitie iných ako originálnych akumulátorov Makita alebo akumulátorov, ktoré boli pozmenené, môže viesť k výbuchu akumulátorov so zapríčinením požiaru, zranenia osôb a škody. Taktiež to povedie k zrušeniu platnosti záruky od spoločnosti Makita na elektrické náradie a nabíjačku Makita.

Tipy na zachovanie maximálnej životnosti akumulátora

- Nabíjajte akumulátor ešte pred úplným vybitím. Vždy zastavte činnosť náradia a nabíjajte akumulátor, keď si všimnete jeho nižší výkon.

- Nikdy nenabíjajte úplne nabitý akumulátor. Prebíjanie skrakuje prevádzkovú životnosť akumulátora.
- Akumulátor nabíjajte pri izbovej teplote 10 °C – 40 °C. Horúci akumulátor nechajte vychladnúť pred jeho nabíjaním.
- Nabíjte akumulátor, ak ho nepoužívate dlhý čas (dlhšie ako šesť mesiacov).

▲POZOR: Akumulátor vždy nainštalujte úplne tak, aby červený indikátor nebol viditeľný. V opačnom prípade môže náhodne vypadnúť z čerpadla a spôsobiť zranenie vám alebo niekomu okolo vás.

▲POZOR: Akumulátor neinštalujte násilím. Ak sa akumulátor nezasuje ľahko, znamená to, že sa nevkladá správne.

OPIS SÚČASTÍ

► Obr. 1:

- | | |
|----------------------------------|----------------------|
| 1. Pozorovacie okienko | 6. Akumulátor |
| 2. Plniaci/vývodový uzáver oleja | 7. Hlavný vypínač |
| 3. Prívodný uzatvárací ventil | 8. LED indikátor |
| 4. Rukoväť | 9. Motor |
| 5. Držiak akumulátora | 10. Základňa |
| | 11. Olejová nádrž |
| | 12. Vypúšťací uzáver |

FUNKČNÝ OPIS

▲POZOR: Pred nastavovaním alebo kontrolou funkcie čerpadla sa vždy uistite, že je čerpadlo vypnuté a akumulátor vybratý.

Inštalácia alebo vyberanie akumulátora

▲POZOR: Pred inštalovaním alebo vyberaním akumulátora vždy vypnite čerpadlo.

▲POZOR: Čerpadlo a akumulátor držte pevne, keď inštalujete alebo vyberáte akumulátor. Pokiaľ nebudete držať čerpadlo a akumulátor pevne, môžu sa vám vyšmyknúť z rúk a viesť k poškodeniu čerpadla a akumulátora a zraneniu osôb.

► Obr. 2:

- Červený indikátor
- Gombík
- Akumulátor

Ak chcete vybrať akumulátor, vysuňte ho z čerpadla pri súčasnom posúvaní gombíka na prednej časti akumulátora.

Ak chcete nainštalovať akumulátor, zarovnajzte pero na akumulátore s drážkou v kryte a zasuňte ho na miesto. Vložte ho úplne tak, aby zapadol na miesto s nenápadným cvaknutím. Ak je viditeľný červený indikátor na homej strane gombíka, znamená to, že akumulátor nie je úplne zaistený.

Systém ochrany akumulátora

► Obr. 3:

- Označenie hviezdou

Toto čerpadlo je vybavené systémom ochrany akumulátora. Tento systém automaticky odpojí napájanie privádzané do motora, aby sa predĺžila výdrž akumulátora.

Čerpadlo sa počas činnosti automaticky zastaví, ak sa čerpadlo a/alebo akumulátor uvedú do niektorej z nasledujúcich podmienok:

Preťaženie:

Čerpadlo sa používalo spôsobom, ktorý spôsobil jeho odber nezvyčajne vysokého prúdu.

V takejto situácii vypnite čerpadlo a zastavte aplikáciu, ktorá spôsobila preťaženie čerpadla. Potom zapnite čerpadlo, aby sa reštartovalo.

Ak sa čerpadlo nespustí, znamená to, že došlo k prehriatiu akumulátora.

V takejto situácii nechajte akumulátor vychladnúť pred opätovným zapnutím čerpadla.

Nízke napätie akumulátora:

Zostávajúca kapacita akumulátora je príliš nízka a čerpadlo nebude fungovať. V takejto situácii vyberte a nabíjte akumulátor.

POZNÁMKA: Ochrana pred prehriatím funguje len pri akumulátore označenom hviezdou.

Indikácia zostávajúcej kapacity akumulátora










Len pre akumulátory s „B“ na konci čísla modelu

► Obr. 4:

- Indikátory
- Kontrolné tlačidlo

Stlačením kontrolného tlačidla na akumulátore zobrazíte zostávajúcu kapacitu akumulátora. Indikátory sa na niekoľko sekúnd rozsvietia.

Indikátory			Zostávajúca kapacita
Svieti	Nesvieti	Bliká	
■	□	◐	75 % až 100 %
■	■	□	50 % až 75 %
■	□	□	25 % až 50 %
■	□	□	0 % až 25 %
◐	□	□	Nabíjte akumulátor.

Indikátory			Zostávajúca kapacita
 Svieti	 Nesvieti	 Bliká	
			Je možné, že došlo k poruche akumulátora.
			

POZNÁMKA: V závislosti od podmienok používania a okolitej teploty sa indikátor môže mierne líšiť od skutočnej kapacity.

OBSLUHA

Nové čerpadlo po zakúpení neobsahuje olej. Pozrite si „Pridanie oleja“ a pridajte olej.

⚠ VÝSTRAHA: Používanie čerpadla v stave bez pridaného oleja spôsobí poškodenie čerpadla. Navyše, olejová nádrž nadobudne vysokú teplotu a môže viesť k popáleninám alebo iným nehodám.

Pridanie oleja

► Obr. 5:

1. Plniaci/vývodový uzáver oleja
 2. Ryska hladiny
 3. Pozorovacie okienko
 4. Olejová nádrž
1. Odstráňte plniaci/vývodový uzáver oleja a pridajte dodávaný olej prostredníctvom plniaceho otvoru.

UPOZORNENIE: Vždy používajte originálny olej Makita, aby sa zachoval výkon čerpadla.

2. Olej pridávajte dovedy, kým hladina oleja nebude medzi hornou a dolnou ryskou hladiny pozorovacieho okienka.

UPOZORNENIE: Hladina oleja je dôležitá. Používanie čerpadla v stave hladiny oleja, ktorá nie je medzi hornou a spodnou ryskou, môže viesť k poruche.

Kontrola činnosti

► Obr. 6:

1. Prívod
 2. Ventil spodnej strany
 3. Vákuové čerpadlo
 4. Merací prístroj
1. Pripojte ventil spodnej strany meracieho prístroja k prívodnému portu čerpadla pomocou plniacej hadice.
 2. Zatvorte ventil spodnej strany meracieho prístroja.
 3. Otvorte prívodný uzatvárací ventil.
 4. Otvorte prívodný ventil.
 5. Zapnite čerpadlo. Ak tlak meracieho prístroja ukáže vákuum $-0,09$ až $-0,1$ MPa do 30 sekúnd, čerpadlo funguje správne.
 6. Vypnite čerpadlo.

Obsluha

► Obr. 7:

1. Vákuové čerpadlo
2. Prívodný uzatvárací ventil
3. Plniaca hadica (žltá)
4. Merací prístroj
5. Ventil spodnej strany
6. Tlakomer nízkeho tlaku
7. Ventil hornej strany
8. Plniaca hadica (modrá)
9. Prevádzkový port (strana nízkeho tlaku)
10. Vonkajšia jednotka

1. Pripojte čerpadlo, merací prístroj a vonkajšiu jednotku pomocou hadíc.

POZNÁMKA: Keď je veľkosť prevádzkového portu na jednotke 1/4", použite dodaný adaptér s odlišným priemerom.

2. Skontrolujte, či sú ventily hornej strany a spodnej strany meracieho prístroja zatvorené.
3. Nainštalujte akumulátor do čerpadla. (Spôsob inštalácie nájdete v časti „Inštalácia alebo vyberanie akumulátora“.)
4. Zapnite čerpadlo. LED indikátor (zelený) sa rozsvieti.
5. Otvorte prívodný uzatvárací ventil čerpadla a ventil spodnej strany meracieho prístroja.

⚠ VÝSTRAHA: Čerpadlo nadobudne vysokú teplotu počas činnosti a bezprostredne po zastavení. Nedotýkajte sa čerpadla, pokiaľ je horúce. V opačnom prípade môže dôjsť k popáleninám alebo iným nehodám.

POZNÁMKA: Motor nemusí fungovať, keď je studený ($5\text{ }^{\circ}\text{C}$ alebo menej). V takýchto prípadoch preneste čerpadlo do vnútorného prostredia a nechajte ho zohriať.

6. Po dosiahnutí určeného vákuua (pozrite si návod dodaný výrobcom klimatizačného zariadenia) zatvorte ventil spodnej strany meracieho prístroja.
7. Zatvorte prívodný uzatvárací ventil a vypnite čerpadlo.

Skúška vzduchotesnosti

Žiadne úniky sa nevyskytujú, ak sa tlak meracieho prístroja nezvyší v priebehu 5 minút alebo dlhšie po opustení čerpadla a meracieho prístroja.

POZNÁMKA: Keď sa batéria takmer úplne vybije, LED indikátor zhasne a súčasne sa spustí dlhá poplašná zvuková signalizácia. Približne o dve minúty neskôr sa motor zastaví. A potom sa poplašná signalizácia zmení na opakovanú zvukovú signalizáciu v krátkych intervaloch, ktorá znamená zastavenie motora a o 30 sekúnd neskôr táto signalizácia prestane. Nečakajte však, kým sa motor zastaví (alebo sa poplašná signalizácia zmení na krátkodobú zvukovú signalizáciu) a namiesto toho zatvorte prívodný ventil čerpadla a ventil strany nízkeho tlaku meracieho prístroja.

Skontrolujte, či je čerpadlo vypnuté, vyberte akumulátor a nabite ho alebo ho vymeňte za náhradný akumulátor.

- Časy činnosti akumulátora nájdete v nasledujúcej tabuľke.

Časy činnosti (orientačne)

Akumulátor	Časy činnosti
BL1860B	75 min.
BL1850 / BL1850B	50 min.
BL1840 / BL1840B	40 min.
BL1830 / BL1830B	30 min.

- Po dokončení práce vyberte akumulátor a pripojte dodaný kryt.

UPOZORNENIE: Pri preprave, používaní a skladovaní čerpadla nikdy neumiestňujte čerpadlo na bok ani hore nohami. Mohlo by to spôsobiť únik oleja z plniaceho/odvzdušňovacieho uzáveru oleja.

Preprava a skladovanie

- Vždy vypustíte všetky kvapaliny z vákuového čerpadla pred prepravou, aby sa zabránilo poškodeniu nádoby.
- Vždy zakryte prívodný port uzáverom, aby do čerpadla neprenikol žiadny prach.
- Zabezpečte, aby sa čerpadlo uchovávalo v horizontálnej polohe.
- Čerpadlo sa musí skladovať pri vnútornej teplote okolia 5 °C – 40 °C.

ÚDRŽBA

▲POZOR: Pred snahou o vykonanie kontroly alebo údržby sa vždy uistite, že je čerpadlo vypnuté a akumulátor vybrať.

UPOZORNENIE: Nikdy nepoužívajte benzín, benzén, riedidlo, alkohol ani podobné prostriedky. Môže dôjsť k zmene sfarbenia, deformácii alebo prasklinám.

Aby sa zachovala BEZPEČNOSŤ a SPOLAHLIVOSŤ výrobku, opravy a akúkoľvek údržbu či nastavenie by mali vykonávať autorizované alebo továrenské servisné strediská spoločnosti Makita vždy s použitím náhradných dielov od spoločnosti Makita.

Zastavte čerpadlo:

Aby sa predĺžila životnosť a dosiahlo plynulé spúšťanie čerpadla, mali by sa dodržiavať tieto postupy na vypnutie čerpadla.

- Zatvorte ventil meracieho prístroja medzi čerpadlom a systémom.
- Odstráňte hadicu z prívodu čerpadla.

Zakryte otvor prívodného portu na zabránenie akejkoľvek kontaminácii či vniknutiu cudzích častíc do portu.

Kontrola oleja

► Obr. 8:

- Ryska hladiny
 - Pozorovacie okienko
- Vždy skontrolujte hladinu a stav oleja (znehodnotenie, atď.) pred použitím čerpadla.

POZNÁMKA: Olej pridávajte dovtedy, kým hladina oleja nebude medzi hornou a dolnou ryskou hladiny pozorovacieho okienka.

Výmena oleja

► Obr. 9:

- Prívodný uzatvárací ventil
- Vypúšťací uzáver

- Otvorte prívodný uzatvárací ventil.
 - Uvedte čerpadlo do činnosti na 1 alebo 2 minúty, aby sa zahrial olej.
 - Vypnite čerpadlo.
 - Odstráňte vypúšťací uzáver a vypustite olej.
 - Pozrite si „Pridanie oleja“ a pridajte nový olej.
- Starý olej zlikvidujte v súlade s miestnymi predpismi.

POZNÁMKA: Odporúča sa vymeniť olej po 20 hodinách používania, aby sa chránili komponenty čerpadla pred kontaminantmi vtiahnutými do čerpadla.

Pri odčerpávaní vzduchu zo starých chladiacich systémov vymeňte olej po každom použití.

Olej vákuového čerpadla:

Stav a typ oleja používaného v akomkoľvek vysokovýkonnom vákuovom čerpadle sú mimoriadne dôležité pri určení maximálneho dosiahnuteľného vákuu. Odporúča sa používať olej určený pre vysokovýkonné vákuové čerpadlá, ktorý je výslovne namiešaný tak, aby sa zachovala maximálna viskozita pri bežných teplotách a zlepšilo sa spúšťanie za studeného počasia.

Čistenie čerpadla

- Keď je olej mimoriadne znečistený, vymeňte olej a potom uvedte čerpadlo do činnosti na 3 až 5 minút.
- Vypustite olej a pridajte nový olej.

Ak je vypustený olej aj naďalej znečistený, zopakujte tento proces čistenia dvakrát alebo trikrát.

Riešenie problémov

Stav	Možná príčina	Riešenie
Čerpadlo sa nespustí.	<ol style="list-style-type: none"> 1. Akumulátor nie je nastavený správne. 2. Teplota okolia je príliš nízka. 3. Nedostatočné pripojenie kábla. 4. Čerpadlo je zablokované. 5. Porucha motora. 	<ol style="list-style-type: none"> 1. Akumulátor nastavte správne. 2. Zahrejte čerpadlo vo vnútornom prostredí. 3. Vykonaajte opravu. 4. Vykonaajte opravu. 5. Vykonaajte opravu.
Čerpadlo nevytvára dostatočné vákuum.	<ol style="list-style-type: none"> 1. Únik zo systému. 2. Nedostatok oleja. 3. Znečistený olej. 4. Časti čerpadla sú opotrebované. 5. Poškodené spojovacie prvky, tesnenia a utesnenie. 6. Porucha motora. 	<ol style="list-style-type: none"> 1. Opravte systém. 2. Doplňte alebo vymeňte olej. 3. Vyčistite zásobník a vymeňte olej. 4. Vykonaajte opravu. 5. Vykonaajte opravu. 6. Vykonaajte opravu.
Únik oleja.	<ol style="list-style-type: none"> 1. Poškodené tesnenia a tesnenia hriadeľa. 2. Poškodený tesniaci krúžok vypúšťacieho uzáveru oleja. 3. Vypúšťací uzáver oleja je uvoľnený. 	<ol style="list-style-type: none"> 1. Vykonaajte opravu. 2. Vymeňte tesniaci krúžok. 3. Pritiahnite vypúšťací uzáver oleja.
Nezvyčajný hluk.	<ol style="list-style-type: none"> 1. Porucha motora. 2. Porucha ložiska. 3. Uvoľnené skrutky. 4. Porucha čerpadla. 5. Došlo k nasatiu vzduchu. 	<ol style="list-style-type: none"> 1. Vykonaajte opravu. 2. Vykonaajte opravu. 3. Pritiahnite skrutky. 4. Vykonaajte opravu. 5. Pritiahnite uzávery a spoje. Vymeňte tesnenia a tesniace krúžky. Vymeňte spojovacie prvky alebo ich znova utesnite.

Poznámka: Ak sa týmito postupmi problém nevyrieši, kontaktujte svojho najbližšieho autorizovaného distribútora spoločnosti Makita, alebo pošlite svoje čerpadlo do nášho servisného strediska.

VOLITEĽNÉ PRÍSLUŠENSTVO

⚠ POZOR: Toto príslušenstvo alebo tieto prídavné zariadenia sú odporúčané pre použitie s náradím Makita uvedeným v tomto návode. Použitie akéhokoľvek iného príslušenstva alebo akýchkoľvek iných prídavných zariadení môže predstavovať riziko zranenia osôb. Používajte príslušenstvo alebo prídavné zariadenie len na jeho stanovený účel.

Ak potrebujete akúkoľvek pomoc s ďalšími podrobnými informáciami ohľadom tohto príslušenstva, požiadajte o ňu svoje miestne servisné stredisko spoločnosti Makita.

- Originálne akumulátory a nabíjačky Makita
- Olej vákuového čerpadla 150 ml
- Hliníkový kryt vákuového čerpadla
- Hadica vákuového čerpadla
- Ventil vákuového čerpadla s meracím prístrojom

POZNÁMKA: Niektoré položky v zozname môžu byť zahrnuté v balení náradia ako štandardné príslušenstvo. Môžu sa líšiť podľa krajiny.

TECHNICKÉ ÚDAJE

Model:	DVP180
Akumulátor (kapacita)	BL 1860B (6,0 Ah) BL 1850 / BL 1850B (5,0 Ah) BL 1840 / BL 1840B (4,0 Ah) BL 1830 / BL 1830B (3,0 Ah)
Jmenovité napětí	Stejnoseměrné 18 V
Čerpadlo	Jednostupňové rotační čerpadlo
Objem vyčerpaného vzduchu	50 l/min
Konečná úroveň podtlaku	20 Pa
Množství oleje	100 – 115 ml
Sání	Kónický zasouvací prvek 5/16"
Rozměry	263 mm (D) × 93 mm (Š) × 172 mm (V)
Čistá hmotnost (včetně akumulátoru BL1850)	3,5 kg

- Vzhledem k našemu nepřetržitému programu výzkumu a vývoje jsou zde uvedené technické údaje předmětem změny bez předchozího upozornění.
- Technické údaje a typ akumulátoru se mohou mezi jednotlivými zeměmi lišit.
- Hmotnost včetně akumulátoru, na základě metody EPTA-01/2003

Vakuumé čerpadlo k odsávání vzduchu z uzavřených systémů (klimatizační jednotky, nádrže apod.).

Toto zařízení bylo vyvinuto speciálně pro systémy HVAC&R.

Jednostupňová konstrukce těchto čerpadel umožňuje dosáhnout požadovanou konečnou úroveň podtlaku.

Velký průzor a řešení s nízkou hladinou oleje zabraňuje spuštění bez oleje a zaručuje spolehlivé použití.

Kromě toho pojistný zpětný ventil zabraňuje jakémukoli vzniku olejové směsi v případě zpětného toku při přerušení napájení nebo jiném přerušení procesu.

Symboly

Na zařízení se používají následující symboly. Před použitím se ujistěte, že jejich významu rozumíte.



- Přečtěte si návod k použití.



- Varování: horký povrch!
Nedotýkejte se míst v okolí tohoto symbolu.
Dotyk s povrchem může způsobit popáleniny nebo poranění.



- Pouze pro země EU
Elektrická zařízení nebo akumulátory nelikvidujte společně s domovním odpadem!

Podle Evropských směrnic o elektrických odpadech a elektronickém zařízení, o bateriích a akumulátorech a vypotřebovaných bateriích a akumulátorech, a jejich použití v souladu s národními zákony, elektrické zařízení, baterie a akumulátory, které dosáhly konce své životnosti, je nutno shromažďovat odděleně a předat firmě zabývající se recyklací šetrnou k životnímu prostředí.

ES PROHLÁŠENÍ O SHODĚ

Pouze pro evropské země

ES prohlášení o shodě je k tomuto návodu připojeno jako Příloha A.

Všeobecné bezpečnostní pokyny pro elektrické nářadí

VAROVÁNÍ: Pozorně si přečtěte veškerá bezpečnostní upozornění a všechny pokyny. Při nedodržení níže uvedených pokynů může dojít k úrazu elektrickým proudem, požáru nebo vážnému ublížení na zdraví.

Veškerá bezpečnostní upozornění a pokyny si uložte k pozdějšímu nahlédnutí.

Termín „elektrické nářadí“ v pokynech se vztahuje na nástroje napájené ze sítě (kabelem) nebo z akumulátoru (bezšňůrové).

Bezpečnost pracovního prostoru

1. Pracovní prostor udržujte v čistotě a zajistěte dobré osvětlení. Neuklizené nebo tmavé prostory jsou příčinou nehod.

2. **Elektrické nářadí neprovazujte ve výbušném prostředí, například v blízkosti hořlavých kapalin, plynů nebo prachu.** Elektrické nářadí vytváří jiskry, které mohou zapálit prach nebo výpary.
3. **Při používání elektrického nářadí dbejte na to, aby se v jeho dosahu nevykytovaly děti a okolostojící osoby.** Odvedení pozornosti může způsobit ztrátu kontroly.

Elektrická bezpečnost

4. **Typ vidlice nářadí musí odpovídat zásuvce. Vidlici nikdy žádným způsobem neupravujte. U zemněného elektrického nářadí nikdy nepoužívejte žádné adaptéry.** Při použití neupravených vidlic a odpovídajících zásuvek se sníží nebezpečí úrazu elektrickým proudem.
5. **Dávejte pozor, aby během provozu nedošlo ke kontaktu vašeho těla s uzemněnými předměty (např. potrubí, radiátory, sporáky a chladničky).** Pokud je vaše tělo uzemněno, existuje zvýšené nebezpečí úrazu elektrickým proudem.
6. **Elektrické nářadí nevystavujte působení deště nebo vlhka.** Při vniknutí vody do nástroje se zvyšuje nebezpečí úrazu elektrickým proudem.
7. **Nenamáhejte kabel. Kabel nikdy nepoužívejte k přenášení, tahání nebo odpojení nářadí ze zásuvky. Kabel udržujte z dosahu tepla, oleje, ostrých hran nebo pohyblivých součástí.** Poškozené nebo zamotané kabely zvyšují nebezpečí úrazu elektrickým proudem.
8. **Při práci s nářadím ve venkovním prostředí použijte prodlužovací kabel vhodný pro venkovní prostředí.** Používání kabelu vhodného pro venkovní prostředí sníží nebezpečí úrazu elektrickým proudem.
9. **Pokud je práce s nářadím ve vlhkém prostředí nevyhnutelná, použijte napájecí obvod opatřený proudovým chráničem.** Používání proudového chrániče sníží nebezpečí úrazu elektrickým proudem.

Osobní bezpečnost

10. **Buďte pozorní, soustřeďte se na vykonávanou činnost a při práci s elektrickým nářadím používejte zdravý rozum. Elektrické nářadí nepoužívejte, pokud jste unaveni nebo pod vlivem drog, alkoholu či léků.** Okamžik nepozornosti při práci s elektrickým nářadím může vést k vážnému zranění.
11. **Používejte osobní ochranné pomůcky. Vždy používejte ochranu zraku.** Ochranné vybavení (maska proti prachu, bezpečnostní obuv s protiskluzovou podrážkou, ochranná přilba nebo chrániče sluchu) používané za vhodných podmínek sníží riziko osobního poranění.
12. **Ochrana před neúmyslným nastartováním. Před připojením ke zdroji napájení a/nebo akumulátoru, zvednutím nebo přenášením nástroje se ujistěte, že spínač je ve vypnuté poloze.** Přenášení stroje s prstem na spínači nebo zapojení elektrického nářadí se zapnutým spínačem do napájení vede k nehodám.
13. **Před zapnutím elektrického nářadí sundejte všechny seřizovací klíče či nástroje. Klíč nebo nástroj nasazený na rotující části nástroje může způsobit osobní zranění.**

14. **Nezakopněte. Vždy chodte správně a udržujte rovnováhu.** Umožní vám to lepší kontrolu elektrického nářadí v neočekávaných situacích.
15. **Vhodně se oblékejte. Nenoste volný oděv nebo šperky. Vlasy, oděv a rukavice nepřibližujte k pohyblivým součástem.** Volný oděv, šperky nebo dlouhé vlasy se mohou zachytit do pohyblivých součástí.
16. **Je-li k dispozici zařízení k odsávání a zachycování prachu, dbejte na to, aby bylo řádně připojeno a správně použito.** Zařízení k odsávání prachu může snížit nebezpečí související s prachem.

Používání a údržba elektrického nářadí

17. **Elektrické nářadí nepřetěžujte. Pro každou aplikaci použijte vhodné nářadí.** Vhodné elektrické nářadí odvede práci lépe a bezpečněji rychlostí, na kterou bylo navrženo.
 18. **Elektrické nářadí nepoužívejte, pokud jeho spínač nelze zapnout a vypnout.** Každý nástroj, který nelze ovládat spínačem, je nebezpečný a musí se nechat opravit.
 19. **Před každým nastavením, výměnou příslušenství nebo uložením odpojte od elektrického nářadí zdroj napájení a/nebo akumulátor.** Tato preventivní opatření snižují nebezpečí náhodného zapnutí.
 20. **Elektrické nářadí udržujte mimo dosah dětí a nedovolte, aby ho obsluhovaly osoby neobeznámené s jeho provozem či těmito pokyny.** Elektrické nářadí je v rukou nezkušených uživatelů nebezpečné.
 21. **Údržba elektrického nářadí. Zkontrolujte změny v uspořádání a upevnění pohyblivých dílů, porušení součástí, usazení a další podmínky, které mohou ovlivnit provoz elektrického nářadí. V případě poškození nechte nářadí opravit.** Mnoho nehod je způsobeno zanedbanou údržbou elektrického nářadí.
 22. **Řezné nástroje udržujte ostré a čisté.** Správně udržované řezné nástroje s ostrými břity jsou méně náchylné k uváznutí a lépe se ovládají.
 23. **Elektrické nářadí, příslušenství, pracovní bity apod. udržujte podle těchto pokynů a přitom zohledněte pracovní podmínky a práci, která se má vykonat.** Použití elektrického nářadí pro jiné práce, než je určeno, může vést k nebezpečným situacím.
- #### **Používání a údržba nástroje napájeného z akumulátoru**
24. **K nabíjení používejte pouze nabíječku určenou výrobcem.** Nabíječka, která je vhodná pro určitý druh akumulátorů, může představovat nebezpečí požáru, pokud bude použita s jiným typem akumulátoru.
 25. **Elektrické nářadí používejte pouze s výhradně určenými akumulátory.** Použití jiných akumulátorů může představovat nebezpečí zranění a požáru.
 26. **Pokud se akumulátor nepoužívá, chraňte ho před dotykem s jinými kovovými předměty, jako jsou kancelářské sponky, mince, klíče, hřebíky, šrouby nebo jiné drobné kovové předměty, které mohou vytvořit zkrat mezi kontakty.** Při zkratování kontaktů akumulátoru může dojít ke vzniku popálenin nebo požáru.

27. Při nesprávném použití může z akumulátoru vystříknout kapalina. Zabraňte kontaktu. Pokud dojde k náhodnému kontaktu, omyjte zasažené místo vodou. Pokud se kapalina dostane do očí, vyhledejte lékařskou pomoc. Kapalina vystříknutá z akumulátoru může způsobit podráždění nebo popáleniny.
28. Opravy svěťte kvalifikovanému servisnímu pracovníkovi, který používá výhradně originální náhradní díly. Tak bude zaručen bezpečný provoz elektrického nářadí.
29. Dodržujte pokyny pro mazání a výměnu příslušenství.
30. Rukojeti udržujte suché, čisté, bez oleje a mastnoty.
4. Pokud se vám dostane do očí elektrolyt, opláchněte si je čistou vodou a okamžitě vyhledejte lékařskou pomoc. Jinak může dojít ke ztrátě zraku.
5. Kontakty akumulátoru chraňte před zkratem:
 - (1) Svorek se nedotýkejte vodivými předměty.
 - (2) Akumulátor neskladujte v zásobnících s jinými kovovými předměty, např. s hřebíky, mincemi apod.
 - (3) Akumulátor nevystavujte vlhku nebo dešti. Při zkratu může v akumulátoru vzniknout velký průtok proudu, přehřátí, může dojít k popálení či dokonce havárii.
6. Nástroj a akumulátor neskladujte v prostředí, kde teplota může dosáhnout nebo překročit 50 °C.
7. Akumulátor nevhazujte do ohně, ani když je vážně poškozen nebo skončila jeho životnost. Akumulátor může v ohni explodovat.
8. Dejte pozor, abyste akumulátor neupustili nebo aby neutrpěl náraz.
9. Nepoužívejte poškozený akumulátor.
10. Dodržujte místní předpisy týkající se likvidace akumulátorů.

Bezpečnostní pokyny pro akumulátorové vakuové čerpadlo

Pečlivě si přečtěte instrukce v dokumentaci, protože důsledné dodržování pokynů je hlavní podmínkou pro bezpečnost obsluhy.

1. Vakuové čerpadlo je stroj sloužící k odsávání chladicích a klimatizačních zařízení a obnově zásobníků. Nepoužívejte jej k jiným účelům, jinak může dojít k nehodě.
2. Před použitím vždy vakuové čerpadlo zkontrolujte, zdali nedochází k únikům oleje. Pokud tak neučiníte, může dojít ke vzniku požáru.
3. Zkontrolujte hladinu a stav oleje (degradace apod.), abyste zajistili bezpečnost a efektivitu práce.
4. Při manipulaci s chladivem noste ochranné brýle a rukavice; vyhněte se kontaktu s chladivem, obsluze hrozí slepota a poranění.
5. V extrémně horkém nebo chladném prostředí nemusí stroj podávat odpovídající výkon.

TYTO POKYNY SI ULOŽTE.

VAROVÁNÍ: NEDOVLTE, aby vaše pohodlnost nebo zkušenosti (nabyté opakovaným používáním výrobku) nahradily přísné zásady bezpečného používání tohoto výrobku.

Při ZNEUŽITÍ nebo chybě při dodržování bezpečnostních pokynů v této příručce může dojít k závažnému poranění.

Důležité bezpečnostní pokyny pro akumulátor

1. Před použitím akumulátoru si přečtěte všechny pokyny a varovné symboly na (1) nabíječce, (2) akumulátoru a na (3) výrobku využívajícím akumulátor.
2. Akumulátor nerozebírejte.
3. Pokud se provozní doba výrazně zkracuje, okamžitě přestaňte přístroj používat. Jinak může dojít k přehřátí, vzniku popálenin a dokonce i k výbuchu.

4. Pokud se vám dostane do očí elektrolyt, opláchněte si je čistou vodou a okamžitě vyhledejte lékařskou pomoc. Jinak může dojít ke ztrátě zraku.
5. Kontakty akumulátoru chraňte před zkratem:
 - (1) Svorek se nedotýkejte vodivými předměty.
 - (2) Akumulátor neskladujte v zásobnících s jinými kovovými předměty, např. s hřebíky, mincemi apod.
 - (3) Akumulátor nevystavujte vlhku nebo dešti. Při zkratu může v akumulátoru vzniknout velký průtok proudu, přehřátí, může dojít k popálení či dokonce havárii.
6. Nástroj a akumulátor neskladujte v prostředí, kde teplota může dosáhnout nebo překročit 50 °C.
7. Akumulátor nevhazujte do ohně, ani když je vážně poškozen nebo skončila jeho životnost. Akumulátor může v ohni explodovat.
8. Dejte pozor, abyste akumulátor neupustili nebo aby neutrpěl náraz.
9. Nepoužívejte poškozený akumulátor.
10. Dodržujte místní předpisy týkající se likvidace akumulátorů.

TYTO POKYNY SI ULOŽTE.

UPOZORNĚNÍ: Používejte pouze originální akumulátory Makita. Pokud použijete neoriginální akumulátory jiného výrobce než Makita nebo akumulátory, které byly upraveny, může dojít k explozi akumulátoru a vzniku požáru, poranění a dalším škodám. Dojde také ke ztrátě záruky na nářadí Makita a nabíječku.

Tipy pro zachování maximální životnosti akumulátoru

1. Akumulátor před úplným vybitím dobijte. Pokud zaznamenáte snížení výkonu svítidla, přestaňte ho používat a akumulátor nabijte.
2. Plně nabitý akumulátor nikdy nenabíjejte. Přebíjením se doba životnosti akumulátoru zkracuje.
3. Akumulátor nabíjejte při pokojové teplotě 10 °C až 40 °C. Horký akumulátor nechte před nabíjením vychladnout.
4. Pokud akumulátor delší dobu nepoužíváte (déle než šest měsíců), nabijte ho.

POPIS DÍLŮ

► Obr. 1:

- | | |
|--------------------------------------|----------------------|
| 1. Průzor | 7. Hlavní vypínač |
| 2. Víčko plnění/
vypouštění oleje | 8. LED indikátor |
| 3. Uzavírací ventil sání | 9. Motor |
| 4. Držadlo | 10. Podstavec |
| 5. Držák akumulátoru | 11. Nádrž na olej |
| 6. Akumulátor | 12. Vypouštěcí zátky |

POPIS FUNKCÍ

⚠ UPOZORNĚNÍ: Před seřizováním nebo kontrolou funkcí si vždy ověřte, že je čerpadlo vypnuté a má vyjmutý akumulátor.

Instalace nebo vyjmutí akumulátoru

⚠ UPOZORNĚNÍ: Před nasazením nebo vyjmutím akumulátoru vždy čerpadlo vypněte.

⚠ UPOZORNĚNÍ: Při instalaci nebo vyjímání akumulátoru pevně přidržíte čerpadlo i akumulátor. Jinak vám může čerpadlo nebo akumulátor vyklouznout z ruky a může dojít k jejich poškození a k poranění.

► Obr. 2:

1. Červená značka
2. Tlačítko
3. Akumulátor

Chcete-li akumulátor vyjmout, posuňte tlačítko na přední straně držáku a přitom vysuňte akumulátor z čerpadla.

Chcete-li akumulátor nasadit, vyrovnejte jazyček na akumulátoru s drážkou na krytu a akumulátor zasuňte na místo. Zasuňte ho až na doraz, dokud se neozve klapnutí. Pokud na horní straně tlačítka uvidíte červenou značku, akumulátor není zcela zajištěn.

⚠ UPOZORNĚNÍ: Akumulátor vždy zasuňte až na doraz, aby nebyla vidět červená značka. Pokud nebude akumulátor zasunut správně, může z čerpadla vyklouznout a zranit vás nebo někoho kolem.

⚠ UPOZORNĚNÍ: Akumulátor nenasazujte silou. Pokud nelze akumulátor snadno zasunout, znamená to, že nebyl správně nasazen.

System ochrany akumulátoru

► Obr. 3:

1. Hvězdička

Čerpadlo je vybaveno systémem ochrany akumulátoru. Tento systém automaticky odpojuje napájení motoru, aby se prodloužila životnost akumulátoru.

Činnost čerpadla se automaticky zastaví, pokud se čerpadlo či akumulátor ocitne v některé z následujících podmínek:

Přetížení:

Čerpadlo se provozuje způsobem, který vyvolává mimořádně vysoký odběr proudu.

Za této situace čerpadlo vypněte a zastavte aplikaci, která způsobuje jeho přetížení. Poté ho znovu zapněte. Pokud se čerpadlo nespustí, akumulátor je přehřátý.

V tomto případě nechte akumulátor před dalším zapnutím čerpadla vychladnout.

Nízké napětí akumulátoru:

Zbývající kapacita akumulátoru je příliš nízká a čerpadlo nelze spustit. V tomto případě akumulátor vyndejte a nabijte.

POZNÁMKA: Ochrana proti přehřívání je dostupná pouze u akumulátorů opatřených symbolem hvězdičky.

Kontrola zbývající kapacity akumulátoru

Platí pouze pro akumulátory, jejichž modelové označení končí písmenem „B“

► Obr. 4:

1. Indikátory
2. Kontrolní tlačítko

Zbývající kapacitu zobrazíte stiskem kontrolního tlačítka na akumulátoru. Indikátor se rozsvítí na několik sekund.

Indikátory			Zbývající kapacita
Svítil	Nesvítil	Bliká	
			75 % až 100 %
			50 % až 75 %
			25 % až 50 %
			0 % až 25 %
			Nabit akumulátor.
			Akumulátor může být vadný.

POZNÁMKA: Vzhledem k podmínkám používání a teplotě prostředí se zobrazená kapacita může od skutečného stavu mírně lišit.

PROVOZ

Nově zakoupené čerpadlo neobsahuje olej. Viz odstavec „Doplňování oleje“ a doplňte olej.

⚠ VAROVÁNÍ: Provoz bez doplnění oleje způsobí poškození čerpadla. Kromě toho se nádrž na olej zahřeje a může způsobit popáleniny nebo jiné nehody.

Doplňování oleje

► Obr. 5:

1. Víčko plnění/vypouštění oleje
2. Úroveň hladiny
3. Průzor
4. Nádrž na olej

1. Sundejte víčko plnění/vypouštění a plnicím otvorem nalijte dodávaný olej.

UPOZORNĚNÍ: Kvůli zajištění výkonu čerpadla vždy používejte originální olej Makita.

2. Olej doplňte až po úroveň mezi horní a spodní rýskou na průzoru.

UPOZORNĚNÍ: Hladina oleje je velmi důležitá. Provoz čerpadla s hladinou oleje mimo úroveň mezi horní a spodní rýskou může způsobit jeho poškození.

Kontrola výkonu

► Obr. 6:

1. Sání
 2. Nízkotlaký ventil
 3. Vakuové čerpadlo
 4. Potrubí
1. Nízkotlaký ventil potrubí a nasávací otvor čerpadla propojte napouštěcí hadicí.
 2. Uzavřete nízkotlaký ventil potrubí.
 3. Otevřete uzavírací ventil sání.
 4. Otevřete sací ventil.
 5. Zapněte čerpadlo. Pokud podtlak v potrubí dosáhne do 30 sekund úrovně -0,09 až -0,1 MPa, čerpadlo pracuje správně.
 6. Vypněte čerpadlo.

Provoz

► Obr. 7:

1. Vakuové čerpadlo
 2. Uzavírací ventil sání
 3. Napouštěcí hadice (žlutá)
 4. Potrubí
 5. Nízkotlaký ventil
 6. Měřidlo nízkotlakého okruhu
 7. Vysokotlaký ventil
 8. Napouštěcí hadice (modrá)
 9. Servisní port (nízkotlaký okruh)
 10. Venkovní jednotka
1. Čerpadlo, potrubí a venkovní jednotku propojte hadicemi.

POZNÁMKA: Pokud má servisní port rozměr 1/4", použijte příložený adaptér na jiný průměr.

2. Zkontrolujte, zda je uzavřen vysokotlaký a nízkotlaký ventil potrubí.
3. Do čerpadla nainstalujte akumulátor. (Popis instalace viz „Instalace nebo vyjmutí akumulátoru“.)
4. Zapněte čerpadlo. Rozsvítí se zelený LED indikátor.
5. Otevřete uzavírací ventil sání čerpadla a nízkotlaký ventil potrubí.

VAROVÁNÍ: Čerpadlo se během provozu ohřeje a bezprostředně po zastavení je horké. Horkého čerpadla se nedotýkejte, jinak můžete utrpět popáleniny nebo si způsobit jiné nehody.

POZNÁMKA: Motor nemusí pracovat, pokud bude studený (5 °C nebo méně). V těchto případech přeneste čerpadlo dovnitř a nechte ho ohřát.

6. Po dosažení určené úrovně podtlaku (viz návod dodávaný výrobcem klimatizačního zařízení) uzavřete nízkotlaký ventil potrubí.
7. Uzavřete uzavírací ventil sání a čerpadlo vypněte.

Zkouška vzduchotěsnosti

Pokud se tlak v potrubí po 5 minutách nebo delší době po opuštění čerpadla a potrubí nezvýší, nedochází k tlakovým únikům.

POZNÁMKA: Pokud zbývající kapacita akumulátoru poklesne, LED indikátor zhasne a zároveň zazní dlouhý zvukový signál. Po uplynutí asi dvou minut se motor zastaví. Poté se výstražný zvukový signál změní na krátký, opakující se interval upozorňující na zastavení motoru. Po 30 sekundách se zvukový signál přeruší. Nemusíte však čekat až na zastavení motoru (nebo na změnu zvukového signálu). Namísto toho zavřete přívodní ventil čerpadla a nízkotlaký ventil potrubí.

Ověřte si, že je čerpadlo vypnuto, vyjměte akumulátor a nabijte ho nebo nahraďte záložním akumulátorem.

- Podrobnosti týkající se provozní doby akumulátoru naleznete v následující tabulce.

Provozní doby (orientační)

Akumulátor	Provozní doby
BL1860B	75 min
BL1850 / BL1850B	50 min
BL1840 / BL1840B	40 min
BL1830 / BL1830B	30 min

- Po dokončení práce vyjměte akumulátor a nasadte dodávaný kryt.

UPOZORNĚNÍ: Během přepravy, obsluhy a uskladnění nikdy čerpadlo nepokládejte na bok nebo dokonce vzhůru nohama. Z plnicího/vypouštěcího víčka může dojít k úniku oleje.

Přeprava a skladování

- Před každým transportem vypusťte z vakuového čerpadla všechny kapaliny, aby nedošlo k poškození zásobníku.
- Nasávací otvor vždy zakryjte víčkem, aby se do čerpadla nedostal prach.
- Ověřte si, že je čerpadlo umístěno ve vodorovné poloze.
- Čerpadlo skladujte při interiérové teplotě 5 °C – 40 °C.

ÚDRŽBA

UPOZORNĚNÍ: Než budete provádět kontrolu nebo údržbu, vždy se přesvědčte, že je čerpadlo vypnuté a má vyjmutý akumulátor.

UPOZORNĚNÍ: Nikdy nepoužívejte automobilový benzín, technický benzín, ředidlo, alkohol nebo podobné prostředky. Jinak může dojít ke změně zabarvení, deformacím nebo prasklinám.

Chcete-li zachovat BEZPEČNOST a SPOLEHLIVOST zařízení, veškeré další opravy, údržbu nebo seřizování musí provádět autorizované nebo značkové servisní středisko Makita, vždy s využitím náhradních dílů značky Makita.

Zastavení čerpadla:

Kvůli zajištění delší životnosti a plynulého spouštění byste měli dodržovat postupy při zastavování čerpadla.

1. Uzavřete ventil potrubí mezi čerpadlem a systémem.
2. Z přívodu čerpadla odeberte hadici.

Přívodní otvor zakryjte, aby se dovnitř nedostalo znečištění nebo cizí předměty.

Kontrola oleje

► Obr. 8:

1. Úroveň hladiny
 2. Průzor
- Před použitím čerpadla vždy zkontrolujte hladinu a stav oleje (degradace apod.).

POZNÁMKA: Olej doplňte až po úroveň mezi horní a spodní ryskou na průzoru.

Výměna oleje

► Obr. 9:

1. Uzavírací ventil sání
 2. Vypouštěcí zátka
1. Otevřete uzavírací ventil sání.
 2. Čerpadlo nechte asi 1 až 2 minuty v chodu, aby se olej zahřál.
 3. Vypněte čerpadlo.
 4. Vyměňte vypouštěcí zátka a vypustěte olej.
 5. Podle pokynů v odstavci „Doplňování oleje“ doplňte nový olej.
- Starý olej likvidujte v souladu s místními předpisy.

POZNÁMKA: Doporučený interval výměny oleje je po 20 hodinách použití, aby byly součástí čerpadla chráněny před znečištěním pronikajícím do čerpadla.

Pokud vysáváte staré chladicí systémy, olej vyměňujte po každém použití.

Olej pro vakuové čerpadlo:

Stav a typ oleje používaného ve všech výkonných vakuových čerpadlech je mimořádně důležitým aspektem při určení maximální dosažitelné úrovně podtlaku. Doporučujeme použít olej pro vakuová čerpadla s vysokým výkonem, který je speciálně namíchan tak, aby byla zaručena maximální viskozita při normálních teplotách a dokonalejší spouštění za chladného počasí.

Čištění čerpadla

1. Pokud je olej mimořádně znečištěn, vyměňte ho a poté nechte čerpadlo v chodu asi 3 až 5 minut.
 2. Olej vypustěte a doplňte nový olej.
- Pokud je vypouštěný olej stále znečištěn, zopakujte tento proces čištění dvakrát až třikrát.

Řešení závad

Stav	Možná příčina	Řešení
Čerpadlo nelze spustit.	<ol style="list-style-type: none">1. Akumulátor není správně nainstalován.2. Teplota okolního prostředí je příliš nízká.3. Chybné zapojení.4. Čerpadlo je zablokováno.5. Závada motoru.	<ol style="list-style-type: none">1. Akumulátor nainstalujte správně.2. Nechte čerpadlo ohřát v interiéru.3. Opravit.4. Opravit.5. Opravit.
Čerpadlo není schopno vytvořit dostatečný podtlak.	<ol style="list-style-type: none">1. V systému dochází k únikům.2. Nedostatek oleje.3. Znečištěný olej.4. Součásti čerpadla jsou opotřebované.5. Poškozené armatury, těsnění a uzávěry.6. Závada motoru.	<ol style="list-style-type: none">1. Opravit systém.2. Doplňte nebo vyměňte olej.3. Vyčistěte nádrž a vyměňte olej.4. Opravit.5. Opravit.6. Opravit.
Únik oleje.	<ol style="list-style-type: none">1. Poškozená těsnění a těsnění hřídelů.2. Poškozené kroužky tvaru O vypouštěcí zátky oleje.3. Vypouštěcí zátka oleje je uvolněná.	<ol style="list-style-type: none">1. Opravit.2. Vyměnit kroužek tvaru O.3. Utáhnout vypouštěcí zátka oleje.
Mimořádný hluk.	<ol style="list-style-type: none">1. Závada motoru.2. Závada ložiska.3. Povolené šrouby.4. Závada čerpadla.5. Nasávání vzduchu.	<ol style="list-style-type: none">1. Opravit.2. Opravit.3. Dotáhnout šrouby.4. Opravit.5. Dotáhnout víčka a spoje. Vyměnit těsnění a kroužky tvaru O. Vyměnit armatury nebo je znovu utěsnit.

Poznámka: Pokud se pomocí těchto opatření problémy nevyřeší, obraťte se na nejbližšího autorizovaného distributora Makita nebo čerpadlo zašlete do našeho servisního střediska.

VOLITELNÉ PŘÍSLUŠENSTVÍ

⚠ UPOZORNĚNÍ: Se zařízením Makita popisovaným v tomto návodu se doporučuje používat následující příslušenství nebo doplňky. Použití jiného příslušenství nebo doplňků může představovat nebezpečí zranění osob. Příslušenství nebo doplňky používejte pouze k jejich uvedeným účelům.

Pokud budete potřebovat pomoc a další podrobnosti ohledně těchto příslušenství, obraťte se na místní servisní středisko Makita.

- Originální akumulátory a nabíječky značky Makita
- Olej pro vakuové čerpadlo 150 ml
- Hliníkový kryt pro vakuové čerpadlo
- Hadice pro vakuové čerpadlo
- Ventil pro vakuové čerpadlo s měřidlem

POZNÁMKA: Některé položky ze seznamu mohou být součástí dodávky jako standardní příslušenství. Mezi jednotlivými zeměmi se mohou lišit.

ТЕХНІЧНІ ХАРАКТЕРИСТИКИ

Модель:	DVP180
Батарейний картридж (ємність)	BL1860B (6,0 А-год.) BL1850 / BL1850B (5,0 А-год.) BL1840 / BL1840B (4,0 А-год.) BL1830 / BL1830B (3,0 А-год.)
Номінальна напруга	Пост. струм 18 В
Насос	Одноступінчатий роторний насос
Витискання вільного повітря	50 л/хв.
Граничний вакуум	20 Па
Об'єм оливи	100 – 115 мл
Впуск	із розвальцьовуванням та зовнішньою різьбою 5/16"
Розміри	263 мм (Д) × 93 мм (Ш) × 172 мм (В)
Вага нетто (із батареєю BL1850)	3,5 кг

- У зв'язку з постійно діючою програмою дослідження та розробки наведені технічні характеристики можуть змінюватися без повідомлення.
- Технічні характеристики і батарейний картридж можуть відрізнятися в залежності від країни.
- Вага, разом із батарейним картриджем, згідно процедури ЕРТА-01/2003

Вакуумний насос для викачування повітря із замкнених систем (кондиціонери, баки тощо).

Це обладнання спеціально призначене для систем опалення, вентиляції, кондиціонування повітря та охолодження.

Завдяки одноступінчатості такі насоси можуть забезпечувати потрібний кінцевий рівень вакууму.

Наявність великого оглядового скла та індикації низького рівня оливи дозволяє уникати роботи насоса без оливи і забезпечує надійність експлуатації.

Окрім того, зворотний клапан запобігає змішуванню оливи під час протитечії, що виникає у разі переривання електропостачання або інших порушень роботи.

Символи

Нижче наведено символи, які можна знайти на цьому обладнанні.

Перш ніж користуватися обладнанням, слід із ними ознайомитися.



- Прочитайте інструкцію з експлуатації.



- Попередження: гаряча поверхня!
Не торкайтесь поряд із цим символом.
Торкання до поверхні може призвести до опіків або травм.



- Лише для країн ЄС
Не викидайте електричне обладнання або акумуляторну батарею разом з побутовим сміттям!
Згідно з Європейськими директивами щодо відпрацьованого електричного та електронного обладнання, батарей та акумуляторів, а також відпрацьованих батарей та акумуляторів і їх втіленням відповідно до національного законодавства, електричне обладнання та акумуляторні батареї, які досягли кінця терміну експлуатації, потрібно збирати окремо та передавати до пунктів екологічно чистої переробки.

ДЕКЛАРАЦІЯ ПРО ВІДПОВІДНІСТЬ СТАНДАРТАМ ЄС

Тільки для країн Європи

Декларація про відповідність стандартам ЄС включена до Додатку А цієї інструкції з експлуатації.

Загальні застереження щодо використання електроінструменту

▲ ПОПЕРЕДЖЕННЯ: Прочитайте усі застереження та інструкції. Недотримання застережень та інструкцій може призвести до ураження електричним струмом, займання та/або тяжкої травми.

Збережіть усі попередження та інструкції для подальшого використання.

Термін "електроінструмент", що наводиться у попередженнях, означає ваш електроінструмент з живленням від мережі (дротовий) або електроінструмент з живленням від батареї (бездротовий).

Безпека робочого місця

1. Робоче місце має бути чистим і добре освітленим. Безладдя або погане освітлення становить велику небезпеку.
2. Не користуйтесь електроінструментами у вибухонебезпечному середовищі, як-от за наявності займистих рідин, газів або пилу. Електроінструмент створює іскри, які можуть запалити пил або пари.
3. Не дозволяйте дітям або стороннім людям наближатися під час використання електроінструменту. Відволікання може призвести до втрати контролю.

Електрична безпека

4. Вилка електроінструменту має відповідати розетці. Ніколи жодним чином не змінюйте вилку. Не використовуйте жодні перехідні вилки із заземленими електроінструментами. Використання не видозмінених вилок та відповідних розеток дозволяє зменшити ризик ураження електричним струмом.
5. Не торкайтесь поверхонь заземлення, таких як труби, батареї, стени та холодильники. Якщо ваше тіло заземлене, існує підвищений ризик ураження електричним струмом.
6. Бережіть електроінструмент від дощу та вологи. Потраплення всередину електроінструменту води призводить до підвищення ризику ураження електричним струмом.
7. Бережіть шнур від uszkodжень. Ніколи не використовуйте шнур, щоб переносити, тягнути або вимкати електроінструмент з розетки. Не підносьте шнур до джерел тепла, оливи, гострих країв та рухомих деталей. Пошкодження або перекручування шнура створює підвищений ризик ураження електричним струмом.
8. Якщо електроінструмент застосовується на вулиці, користуйтеся шнуром-подовжувачем, призначеним для вулиці. Використання шнура, призначеного для вулиці, зменшує ризик ураження електричним струмом.
9. Якщо використання електроінструменту в умовах вологості неможливо уникнути, разом із джерелом живлення використовуйте вимикач короткого замикання на землю (ВКЗЗ). Використання ВКЗЗ зменшує ризик ураження електричним струмом.

Особиста безпека

10. Під час використання електроінструменту будьте обачні, дивіться за тим, що робите і керуйтеся здоровим глуздом. Не використовуйте електроінструмент якщо втомилися або після вживання наркотичних препаратів, алкоголю або лікарських засобів. Миттєва втрата уваги під час використання електроінструментів може призвести до тяжкої травми.
11. Користуйтеся засобами індивідуального захисту. Обов'язково користуйтеся засобами захисту очей. Засоби захисту, як-от пілозахисна маска, спеціальне взуття із нековзною підошвою, каска або засоби захисту органів слуху, якими треба користуватися відповідно до умов роботи, дозволяють зменшити ризик травмування.

12. Запобігайте ненавмисному запуску. Переконайтесь, що вимикач знаходиться у положенні вимкнення, перш ніж підключати інструмент до джерела живлення та/або акумуляторної батареї, піднімати або переносити його. Не слід переносити електроінструменти, тримаючи палець на вимикачі, або підключати електроінструменти до джерела живлення із перемикачем у положенні увімкнення, оскільки це становить велику небезпеку.
13. Перш ніж вмикати електроінструмент, приборіть усі розсувні або гайкові ключі. Якщо на обертовій деталі електроінструменту залишився ключ, це може стати причиною травми.
14. Не тягніться. Завжди стійте упевнено та збалансовано. Це забезпечує кращий контроль за електроінструментом у неочікуваних ситуаціях.
15. Одягайтесь належним чином. Не одягайте вільний одяг або прикраси. Тримайте волосся, одяг та рукавиці подалі від рухомих частин. Вільний одяг, прикраси або довге волосся можуть зачепитися за рухомі частини.
16. У разі підключення пристроїв для видалення і збирання пилу, забезпечте правильність підключення та використання. Використання пристроїв для збирання пилу може зменшити ризики, пов'язані із наявністю пилу.

Використання електроінструменту та догляд за ним

17. Не використовуйте електроінструмент не за призначенням. Використовуйте електроінструмент, призначений для виконання наявної роботи. Відповідний електроінструмент виконає роботу краще і безпечніше, та згідно своїх характеристик.
18. Не користуйтеся електроінструментом, якщо вимикач не вмикає та не вимикає його. Будь-який електроінструмент, який неможливо контролювати за допомогою вимикача, є небезпечним і підлягає ремонту.
19. Відключайте вилку від джерела живлення та/або знімайте акумуляторну батарею з електроінструменту, перш ніж регулювати, замінити аксесуари або складати на зберігання. Такі запобіжні заходи безпеки зменшують ризик випадкового увімкнення електроінструменту.
20. Зберігайте вимкнені електроінструменти у недоступному для дітей місці, та не дозволяйте особам, які не ознайомились з електроінструментом або цими інструкціями, користуватися електроінструментом. Електроінструменти становлять небезпеку в руках недосвідчених користувачів.
21. Доглядайте електроінструменти. Перевірте рухомі частини на наявність неправильного вирівнювання або заїдання, пошкодження деталей та інше, що може вплинути на роботу електроінструменту. У разі пошкодження відремонтуйте електроінструмент, перш ніж користуватися ним. Багато нещасних випадків трапляються через поганий догляд за електроінструментами.

22. Слідкуйте за тим, щоб різальні інструменти були гострими та чистими. Належним чином доглянуті різальні інструменти із гострими ріжучими кромками рідше заїдають та простіші у керуванні.
23. Використовуйте електроінструмент, аксесуари та насадку тощо згідно цієї інструкції, беручи до уваги умови та тип роботи. Використання електроінструменту не за призначенням може привести до небезпечної ситуації.
2. Перед використанням завжди оглядайте вакуумний насос на наявність витоків оливи. Невиконання цієї вимоги може призвести до пожежі.
3. Для забезпечення безпечної та ефективної роботи перевіряйте рівень і стан (погіршення властивостей тощо) оливи.
4. Одягайте захисні окуляри та рукавиці для роботи із холодоагентом; уникайте контакту з холодоагентом, оскільки це може призвести до втрати зору і травмування оператора.
5. За надзвичайно високої або низької температури нормальне функціонування може бути неможливим.

Використання інструменту з живленням від батареї та догляд за ним

24. Для перезарядження використовуйте лише зарядний пристрій, зазначений виробником. Зарядний пристрій, призначений для акумуляторної батареї одного типу, може спричинити пожежу у разі використання із акумуляторною батареєю іншого типу.
25. Використовуйте електроінструменти лише зі спеціально призначеними для них акумуляторними батареями. Використання будь-яких інших акумуляторних батарей може призвести до травми та пожежі.
26. Коли акумуляторна батарея не використовується, тримайте її подалі від металевих предметів, як-от скріпок, монет, ключів, цвяхів, гвинтів та інших маленьких металевих предметів, що можуть поєднати контакти батареї. Замикання клем батареї може призвести до опіків або пожежі.
27. У разі пошкодження батареї з неї може вилитися рідина – уникайте контакту із нею. У разі випадкового контакту промийте водою. Якщо рідина потрапить в очі, зверніться за медичною допомогою. Рідина, що витікає з батареї, може спричинити подразнення або опіки.

Обслуговування

28. Обслуговування електроінструменту має здійснювати кваліфікований фахівець з використанням лише ідентичних запасних частин. Це забезпечує безпечність електроінструменту.
29. Дотримуйтеся інструкцій зі змащування та заміни аксесуарів.
30. Слідкуйте за тим, щоб ручки були сухими, чистими та вільними від оливи і мастила.

Загальні застереження щодо використання бездротового вакуумного насоса

Уважно прочитайте наведені інструкції, оскільки дотримання наведених процедур є основною умовою безпеки оператора.

1. Вакуумний насос призначений для відкачування повітря з холодильного обладнання, обладнання для кондиціонування повітря та баків для регенерації. Не використовуйте для інших цілей. Це може призвести до нещасних випадків.

ЗБЕРІГАЙТЕ ЦІ ІНСТРУКЦІЇ.

▲ПОПЕРЕДЖЕННЯ: НЕ ДОЗВОЛЯЙТЕ впевненості або обізнаності із виробом (що набувається через регулярне використання) замінити чітке дотримання правил безпеки щодо даного виробу.

НЕНАЛЕЖНЕ ВИКОРИСТАННЯ або недотримання викладених у цій інструкції з експлуатації правил безпеки може призвести до тяжкої травми.

Важливі інструкції з техніки безпеки при використанні батарейного картриджа

1. Перш ніж користуватися батарейним картриджем, прочитайте усі інструкції та застереження на (1) зарядному пристрої, (2) батареї та (3) виробі, в якому застосовується батарея.
2. Не розбирайте батарейний картридж.
3. Якщо час роботи скорочується надзвичайно швидко, негайно припиніть користуватися виробом. Інакше можливе перегрівання, отримання опіків та навіть вибух.
4. Якщо електроліт потрапив в очі, промийте їх чистою водою та негайно зверніться за медичною допомогою. Інакше можлива втрата зору.
5. Не замикайте клемми батарейного картриджа.
 - (1) Не торкайтесь клем електропровідними матеріалами.
 - (2) Не зберігайте батарейний картридж разом з іншими металевими предметами, як-от цвяхами, монетами тощо.
 - (3) Не допускайте потрапляння на батарейний картридж води або дощу.
 Замикання акумулятора може призводити до витoku струму значної сили, перегрівання, ризику отримання опіків та навіть поломки виробу.
6. Не зберігайте інструмент та батарейний картридж у місцях, де температура може досягати або перевищувати 50°C.

7. Не спалюйте батарейний картридж, навіть якщо його сильно пошкоджено чи повністю зношено. Батарейний картридж може вибухнути у вогні.
8. Бережіть батарею від падінь та ударів.
9. Не використовуйте пошкоджену батарею.
10. Дотримуйтесь місцевих правил утилізації батарей.

ЗБЕРІГАЙТЕ ЦІ ІНСТРУКЦІЇ.

▲УВАГА: Використовуйте лише оригінальні батареї Makita. Використання батарей не від Makita або змінених батарей може призвести до вибуху таких батарей, що призведе до пожежі, травми та пошкодження майна. Це також призведе до втрати гарантії Makita на інструмент та зарядні пристрої Makita.

Рекомендації щодо забезпечення максимального терміну служби батареї

1. Заряджайте батарейний картридж до того, як він повністю розрядиться. Завжди зупиняйте роботу інструменту і заряджайте батарейний картридж, коли помічаєте зменшення потужності.
2. Ніколи не перезаряджайте повністю заряджений батарейний картридж. Надмірне зарядження скорочує термін служби батареї.
3. Заряджайте батарейний картридж за кімнатної температури в діапазоні 10°C – 40°C. Перш ніж заряджати, почекайте, доки батарейний картридж повністю не охолоне.
4. Зарядіть батарейний картридж, якщо не використовуєте його тривалий час (більше шести місяців).

ОПИС ДЕТАЛЕЙ

► Мал. 1:

- | | |
|-------------------------------------------|----------------------------|
| 1. Оглядове скло | 6. Батарея |
| 2. Кришка оливоднапного/випускного отвору | 7. Вимикач живлення |
| 3. Приймальний запірний клапан | 8. Індикатор |
| 4. Ручка | 9. Мотор |
| 5. Тримач батареї | 10. Основа |
| | 11. Бак для оливи |
| | 12. Пробка для зливу оливи |

ОПИС ФУНКЦІОНУВАННЯ

▲УВАГА: Перш ніж коригувати або перевіряти роботу насоса, обов'язково вимикайте його та знімайте батарейний картридж.

Встановлення або знімання батарейного картриджа

▲УВАГА: Завжди вимикайте насос, перш ніж встановлювати або знімати батарейний картридж.

▲УВАГА: Міцно тримайте насос і батарейний картридж, коли встановлюєте або знімаєте батарейний картридж. Якщо насос та батарейний картридж не тримати міцно, вони можуть випасти з рук, що може призвести до пошкодження насоса і батарейного картриджа та травмування.

► Мал. 2:

1. Червоний індикатор
2. Кнопка
3. Батарейний картридж

Щоб зняти батарейний картридж, посуньте кнопку спереду картриджа і зсуньте картридж з насоса.

Щоб встановити батарейний картридж, сумістіть язичок на батарейному картриджі із жолобком на корпусі, та вставте. Вставте повністю до фіксації із легким клацанням. Якщо на верхній частині кнопки видно червоний індикатор, значить батарейний картридж зафіксовано не повністю.

▲УВАГА: Завжди встановлюйте батарейний картридж повністю, щоб червоний індикатор не було видно. Інакше він може випадково випасти з насоса і травмувати вас або іншу особу, що знаходиться поблизу.

▲УВАГА: Не встановлюйте батарейний картридж із силою. Якщо картридж не встановлюється із легкістю, значить він вставляється неправильно.

Система аварійного захисту батареї

► Мал. 3:

1. Позначка зірки

Насос обладнано системою аварійного захисту батареї. Ця система автоматично вимикає живлення мотора, щоб подовжити термін служби батареї. Насос автоматично вимкнеться під час роботи, якщо насос та/або батарея набуває одного із наступних станів:

Перенавантаження:

Насос використовується в умовах, що спричиняють споживання ненормально високого струму. У такому випадку вимкніть насос та усуньте причини, які призводять до перенавантаження насоса. Потім увімкніть насос знову.

Якщо насос не запускається, значить батарея перегрівається.

У такому випадку перш ніж вмикати насос знову зачекайте, поки батарея не охолоне.

Низька напруга батареї:

Залишковий заряд батареї занадто низький, тому насос не працює. У такому випадку зніміть батарею та зарядіть.

ПРИМІТКА: Захист від перегрівання працює лише при використанні батарейного картриджа із позначкою зірки.

Відображення залишкового заряду батареї

Лише для батарейних картриджів із буквою "В" в кінці номера моделі

► Мал. 4:

1. Індикатори
2. Кнопка перевірки

Натисніть кнопку перевірки на батарейному картриджі, щоб показати залишковий заряд батареї. Індикатори засвітяться на декілька секунд.

Індикатори			Залишковий заряд
Світиться	Вимкнений	Блимає	
■	□	▧	від 75% до 100%
■	■	■	від 50% до 75%
■	■	□	від 25% до 50%
■	□	□	від 0% до 25%
▧	□	□	Зарядіть батарею.
■	■	□	Можливо виникла несправність батареї.
□	□	■	

ПРИМІТКА: В залежності від умов використання та температури навколишнього середовища вказана ємність може трохи відрізнятись від фактичної.

ВИКОРИСТАННЯ

На момент придбання насос не містить оливи. Див. розділ "Доливання оливи" і долийте оливу.

⚠ ПОПЕРЕДЖЕННЯ: Використання насоса без оливи призведе до пошкодження насоса. Окрім того бак для оливи стане гарячим, що може призвести до опіків або інших нещасних випадків.

Доливання оливи

► Мал. 5:

1. Кришка оливоналивного/випускового отвору
 2. Лінія рівня
 3. Оглядове скло
 4. Бак для оливи
1. Зніміть кришку оливоналивного/випускового отвору і додайте у заливний отвір оливу, що надається.

ПОВІДОМЛЕННЯ: Для забезпечення нормального функціонування насоса завжди використовуйте оригінальну оливу Makita.

2. Додавайте оливу, поки не досягнете рівня між лініями верхнього та нижнього рівня на оглядовому склі.

ПОВІДОМЛЕННЯ: Важливо підтримувати потрібний рівень оливи. Якщо користуватися насосом коли рівень оливи не знаходиться між лініями верхнього та нижнього рівня, це може призвести до несправності.

Перевірка роботи

► Мал. 6:

1. Впуск
 2. Клапан боку низького тиску
 3. Вакуумний насос
 4. Колектор тиску
1. З'єднайте клапан боку низького тиску на колекторі із впускним отвором насоса за допомогою зарядного шлангу.
 2. Закрийте клапан боку низького тиску на колекторі.
 3. Відкрийте приймальний запірний клапан.
 4. Відкрийте впускний клапан.
 5. Увімкніть насос. Якщо через 30 секунд тиск колектора вказує на наявність вакууму в межах від -0,09 до -0,1 МПа, насос працює належним чином.
 6. Вимкніть насос.

Використання

► Мал. 7:

1. Вакуумний насос
 2. Приймальний запірний клапан
 3. Зарядний шланг (жовтий)
 4. Колектор
 5. Клапан боку низького тиску
 6. Манометр низького тиску
 7. Клапан боку високого тиску
 8. Зарядний шланг (синій)
 9. Сервісний отвір (бік низького тиску)
 10. Зовнішній блок тиску
1. З'єднайте насос, колектор та зовнішній блок шлангами.

ПРИМІТКА: Якщо сервісний отвір має діаметр 1/4", використовуйте адаптер для іншого діаметру, що надається.

2. Перевірте, щоб клапани боку високого та низького тиску на колекторі були закриті.
3. Встановіть на насос батарею. (Див. спосіб встановлення у розділі "Встановлення або знімання батарейного картриджа".)
4. Увімкніть насос. Засвітиться індикатор (зелений).
5. Відкрийте приймальний запірний клапан насоса і клапан боку низького тиску на колекторі.

▲ПОПЕРЕДЖЕННЯ: Під час роботи і одразу після зупинення насос стає гарячим. Не торкайтесь насоса, коли він гарячий. Це може призвести до опіків або інших нещасних випадків.

ПРИМІТКА: За низької температури (5°C або менше) мотор може не працювати. У такому випадку занесіть насос у приміщення і зачекайте, поки він не нагріється.

6. Коли буде досягнуто вказаного вакууму (дивіться інструкцію, що надається виробником кондиціонера), закрийте клапан боку низького тиску на колекторі.
7. Закрийте приймальний запірний клапан і вимкніть насос.

Перевірка герметичності

Якщо залишити насос і колектор, і протягом 5 хвилин або довше тиск колектора не підвищується, значить витоки відсутні.

ПРИМІТКА: Коли залишковий заряд батареї стає низьким, індикатор гасне і одночасно починає лунати довгий попереджувальний сигнал. Приблизно через дві хвилини мотор зупиняється. Після цього попереджувальний сигнал стає коротким, сповіщаючи про зупинку мотора, а ще через 30 секунд сигнал вимикається. Проте не чекайте, поки мотор зупиниться (або попереджувальний сигнал зміниться з довгого на короткий), а закрийте впускний клапан насоса і клапан блоку низького тиску на колекторі.

Переконайтесь, що насос вимкнений, зніміть батарею і зарядіть або замініть на запасну батарею.

- Час роботи батареї дивіться у наведеній нижче таблиці.

Час роботи (приблизний)

Батарея	Час роботи
BL1860B	75 хв.
BL1850 / BL1850B	50 хв.
BL1840 / BL1840B	40 хв.
BL1830 / BL1830B	30 хв.

- Після завершення роботи зніміть батарею і встановіть кришку, що надається.

ПОВІДОМЛЕННЯ: Під час транспортування, використання та зберігання насоса ніколи не кладіть його на бік або догори ногами. Це може призвести до витікання оливи з кришки оливоналивного/впускного отвору.

Транспортування та зберігання

- Перед транспортуванням завжди зливайте з вакуумного насоса усі рідини, щоб не пошкодити контейнер.
- Завжди закривайте впускний отвір кришкою, щоб всередину насоса не потрапляв пил.
- Слідкуйте за тим, щоб насос знаходився у горизонтальному положенні.
- Насос зберігається у приміщенні за температури навколишнього середовища 5°C – 40°C.

ДОГЛЯД

▲УВАГА: Перш ніж перевіряти або здійснювати догляд насоса, обов'язково вимикайте його та знімайте батарейний картридж.

ПОВІДОМЛЕННЯ: Ніколи не використовуйте пальне, бензин, розчинник, спирт або щось подібне. Це може призвести до знебарвлення, деформації або розтріскування.

Для забезпечення БЕЗПЕКИ та НАДІЙНОСТІ виробу ремонт, будь-які інші роботи із технічного обслуговування та регулювання мають виконуватися в офіційних сервісних центрах або в заводських майстернях Makita; також треба завжди користуватися запасними частинами Makita.

Зупинення насоса:

Для збільшення терміну служби і м'якого запуску насоса необхідно дотримуватись таких процедур вимикання насоса.

1. Закрийте клапан колектора між насосом і системою.
2. Зніміть шланг з впускного отвору насоса.

Закрийте впускний отвір, щоб всередину не потрапили забруднення або сторонні предмети.

Перевірка оливи

► Мал. 8:

1. Лінія рівня
 2. Оглядове скло
- Завжди перевіряйте рівень і стан (погіршення властивостей тощо) оливи, перш ніж користуватися насосом.

ПРИМІТКА: Додавайте оливу, поки не досягнете рівня між лініями верхнього та нижнього рівня на оглядовому склі.

Заміна оливи

► Мал. 9:

1. Приймальний запірний клапан
 2. Пробка для зливу оливи
1. Відкрийте приймальний запірний клапан.
 2. Увімкніть насос на 1 або 2 хвилини, щоб розігріти оливу.
 3. Вимкніть насос.
 4. Зніміть пробку для зливу і злийте оливу.
 5. Див. розділ "Доливання оливи" і долийте нової оливи.
- Утилізуйте стару оливу згідно місцевих норм.

ПРИМІТКА: Рекомендується міняти оливу через 20 годин використання, щоб захистити частини насоса від забруднень, що потрапляють всередину насоса.

Під час вакуумування старих охолоджувальних систем міняйте оливу після кожного використання.

Олива вакуумного насоса:

Стан і тип оливи, що використовується з будь-яким високопродуктивним вакуумним насосом, надзвичайно важливі для визначення максимального можливого вакууму. Рекомендується користуватися оливою для високопродуктивних вакуумних насосів, що має спеціальні присадки для збереження максимальної в'язкості при нормальній температурі та покращення запуску за умов низької температури.

Чищення насоса

1. Якщо олива сильно забруднилась, замініть оливу і увімкніть насос на 3 – 5 хвилин.
2. Злийте оливу і залийте нову оливу.
Якщо злита олива все ще брудна, повторіть процедуру чищення два – три рази.

Усунення несправностей

Стан	Можлива причина	Рішення
Насос не запускається.	<ol style="list-style-type: none">1. Батарея встановлена неправильно.2. Температура навколишнього середовища надто низька.3. Неправильне підключення кабелів.4. Насос заблокований.5. Несправність мотора.	<ol style="list-style-type: none">1. Встановіть батарею належним чином.2. Розігрійте насос у приміщенні.3. Відремонтуйте.4. Відремонтуйте.5. Відремонтуйте.
Насос не забезпечує достатній вакуум.	<ol style="list-style-type: none">1. В системі наявні витоки.2. Недостатньо оливи.3. Брудна олива.4. Частини насоса зносились.5. Пошкоджено з'єднувальні частини, прокладки та ущільнювачі.6. Несправність мотора.	<ol style="list-style-type: none">1. Відремонтуйте систему.2. Долийте або замініть оливу.3. Почистіть резервуар та замініть оливу.4. Відремонтуйте.5. Відремонтуйте.6. Відремонтуйте.
Виткання оливи.	<ol style="list-style-type: none">1. Пошкоджено прокладки та ущільнювачі валу.2. Пошкоджено ущільнювальне кільце пробки для зливу оливи.3. Пробка для зливу оливи закрита недостатньо щільно.	<ol style="list-style-type: none">1. Відремонтуйте.2. Замініть ущільнювальне кільце.3. Затягніть пробку для зливу оливи.
Нехарактерний шум.	<ol style="list-style-type: none">1. Несправність мотора.2. Несправність підшипника.3. Недостатньо затягнуті болти.4. Несправність насоса.5. Всмоктується повітря.	<ol style="list-style-type: none">1. Відремонтуйте.2. Відремонтуйте.3. Затягніть болти.4. Відремонтуйте.5. Затягніть кришки та з'єднання. Замініть прокладки та ущільнювальні кільця. Замініть з'єднувальні частини або знову ущільніть їх.

Примітка: Якщо ці процедури не усувають проблему, зверніться до найближчого авторизованого дистриб'ютора Makita або надішліть насос до нашого сервісного центру.

ДОДАТКОВІ АКСЕСУАРИ

⚠️УВАГА: Дані аксесуари або насадки рекомендовані для використання із вашим інструментом Makita, описаним у цій інструкції. Використання будь-яких інших аксесуарів або насадок може призвести до отримання травми. Використовуйте аксесуари або насадки лише за призначенням.

Якщо потрібна будь-яка допомога в отриманні інформації про дані аксесуари, зверніться до місцевого сервісного центру Makita.

- Оригінальні батареї та зарядні пристрої Makita
- Олива вакуумного насоса, 150 мл
- Алюмінієвий корпус вакуумного насоса
- Шланг вакуумного насоса
- Клапан вакуумного насоса із вказівником рівня

ПРИМІТКА: Деякі з позицій списку можуть надаватися у комплекті з інструментом як стандартні аксесуари. Вони можуть відрізнятися в залежності від країни.

DATE TEHNICE

Model:	DVP180
Acumulator (capacitate)	BL 1860B (6,0 Ah) BL 1850/BL 1850B (5,0 Ah) BL 1840/BL 1840B (4,0 Ah) BL 1830/BL 1830B (3,0 Ah)
Tensiune nominală	c.c. 18 V
Pompă	Pompă rotativă monoetajată
Debit de aer	50 l/min
Presiune absolută	20 Pa
Capacitate rezervor de ulei	100 – 115 ml
Aspirație	Record cu filet exterior de 5/16"
Dimensiuni	263 mm (L) × 93 mm (l) × 172 mm (h)
Greutate netă (cu acumulatorul BL 1850)	3,5 kg

- Datorită programului nostru continuu de cercetare și dezvoltare, datele tehnice ale produsului pot fi modificate fără aviz prealabil.
- Datele tehnice și acumulatorul pot fi diferite, în funcție de țară.
- Greutate, cu acumulator, în conformitate cu Procedura EPTA 01/2003

Pompă de vid pentru evacuarea aerului din sisteme închise (aparate de aer condiționat, rezervoare etc.).

Acest echipament este special proiectat pentru sistemele de încălzire, ventilație, aer condiționat și refrigerare.

Datorită construcției monoetajate, pompele pot produce cu ușurință nivelul de vid necesar acestor sisteme.

Vizorul de mari dimensiuni și indicatorul de nivel scăzut al uleiului contribuie la evitarea funcționării fără ulei și asigură o funcționare fiabilă.

În plus, supapa sensului împiedică revenirea uleiului în sistemul vidat după o oprire a alimentării electrice sau orice alt proces de întrerupere.

Simboluri

În cele ce urmează sunt prezentate simbolurile utilizate pentru echipament.

Familiarizați-vă cu semnificația acestora înainte de a utiliza pompa.



- Citiți manualul de instrucțiuni.



- Avertisment: suprafață fierbinte!
Nu atingeți zona din jurul acestui simbol.
Atingerea suprafeței poate cauza arsuri sau leziuni.



- Numai pentru țările din UE
Nu aruncați echipamentul electric sau acumulatorul împreună cu deșeurile menajere obișnuite!
Conform directivelor europene privind deșeurile de echipamente electrice și electronice, bateriile și acumulatorii și deșeurile de baterii și acumulatori și implementarea acestora în conformitate cu legislația națională, echipamentele electrice, bateriile și acumulatorii care urmează să fie scoase/scoși din uz trebuie să fie colectate/colectați separat și predați/predați unui centru de reciclare care respectă siguranța mediului înconjurător.

DECLARAȚIE DE CONFORMITATE CE

Numai pentru țările europene

Declarația de conformitate CE însoțește prezentul manual de instrucțiuni ca Anexa A.

Avertismente generale privind siguranța uneltelor electrice

⚠️ AVERTISMENT: Citiți toate avertismentele și instrucțiunile. Nerespectarea avertismentelor și instrucțiunilor poate duce la electrocutare, incendii și/sau vătămări corporale grave.

Păstrați toate avertismentele și instrucțiunile, pentru a le putea consulta pe viitor.

Denumirea „unealtă electrică” din avertismentele desemnează unealta electrică alimentată la priză (cu fir) sau unealta electrică alimentată cu acumulator (fără fir).

Siguranța zonei de lucru

1. **Păstrați curățenia la locul de muncă și asigurați iluminarea corespunzătoare.** Dezordinea sau locurile neluminate favorizează producerea accidentelor.

2. **Nu utilizați unelele electrice în atmosfere explozive, de exemplu în prezența lichidelor, gazelor sau pulberilor inflamabile.** Unelele electrice generează scântei, care pot provoca aprinderea prafului sau vaporilor.
3. **Nu lăsați copiii și persoanele străine să stea în apropierea zonei de utilizare a unelei electrice.** Distragerea atenției vă poate face să pierdeți controlul asupra unelei.

Siguranța electrică

4. **Fișele cablurilor de alimentare trebuie să se potrivească prizelor de curent. Nu modificați fișa. Nu folosiți adaptoare pentru unelele electrice cu împământare.** Fișele nemodificate și prizele corespunzătoare reduc pericolul de electrocutare.
5. **În timpul funcționării unelei, evitați contactul fizic cu obiecte supratereane sau subterane, de exemplu țevi, conducte de încălzire, mașini de gătit, frigider.** Pericolul de electrocutare este mai mare atunci când corpul dvs. nu este izolat electric.
6. **Nu expuneți unelele electrice la ploaie sau umezeală.** Apa care pătrunde în unealtă poate mări pericolul de electrocutare.
7. **Nu utilizați cablul în alte scopuri, de exemplu, pentru a transporta, trage sau scoate din priză unealta electrică.** Feriți cablul de sursele de căldură, de ulei, de marginile ascuțite sau de piesele mobile. Un cablu deteriorat sau incurcat poate crește pericolul de electrocutare.
8. **Atunci când utilizați o unealtă electrică în aer liber, folosiți un prelungitor special destinat utilizării în aer liber.** Utilizarea unui astfel de cablu reduce pericolul de electrocutare.
9. **Dacă nu puteți evita utilizarea unelei electrice într-un loc umed, folosiți o sursă de alimentare prevăzută cu un întreruptor pentru lipsa circuitului de împământare.** Utilizarea unui astfel de întreruptor reduce pericolul de electrocutare.

Siguranța personală

10. **Fiți vigilenți, concentrați-vă asupra lucrării pe care o efectuați și fiți rațional și logic atunci când utilizați o unealtă electrică.** Nu utilizați unele electrice atunci când sunteți obosit sau când vă aflați sub influența drogurilor, alcoolului sau medicamentelor. Un moment de neatenție în timpul utilizării uneltelor electrice poate duce la vătămări corporale grave.
11. **Purtați echipament individual de protecție. Purtați întotdeauna dispozitive de protecție oculară.** Echipamentul de protecție - mască anti-praf, încălțăminte de protecție cu talpă antiderapantă, cască, dispozitive de protecție auditivă - purtat în funcție de condițiile de lucru reduce vătămările corporale.
12. **Împiedicați pornirea accidentală. Asigurați-vă că butonul de pornire/oprire este în poziția de oprire înainte de a introduce în priză cablul de alimentare și/sau acumulatorul și înainte de a ridica sau transporta unealta.** Transportarea uneltelor electrice cu degetul pe butonul de pornire/oprire sau alimentarea cu butonul în poziția de pornire favorizează accidente.

13. **Îndepărtați cheile de reglare înainte de a porni unealta.** O cheie fixată pe o piesă rotativă a unelei electrice poate provoca vătămări corporale.
14. **Mențineți o poziție normală a corpului. Adoptați o poziție stabilă și păstrați-vă echilibrul în permanență.** Astfel, veți putea controla mai bine mașina în situații neașteptate.
15. **Purtați îmbrăcăminte adecvată. Nu purtați haine largi sau bijuterii.** Nu vă apropiați cu părul, hainele largi și mâinile cu mânuși de piesele aflate în mișcare. Îmbrăcăminte largă, bijuteriile sau părul lung nestrâns pot fi prinse de piesele aflate în mișcare.
16. **Dacă unealta este livrată cu elemente de fixare a dispozitivelor de aspirare și colectare a prafului, montați și utilizați aceste elemente în mod corespunzător.** Utilizarea dispozitivelor de colectare a prafului poate reduce pericolele reprezentate de praf.

Utilizarea și întreținerea uneltelor electrice

17. **Nu suprasolicitați unealta electrică. Utilizați unealta electrică adecvată operațiunii pe care o efectuați.** Aceasta va funcționa mai bine și cu risc redus de accidentare la turația pentru care a fost concepută.
18. **Nu utilizați unealta dacă butonul de pornire/oprire nu funcționează.** Unelele al căror buton nu poate fi acționat corespunzător sunt periculoase și trebuie reparate.
19. **Scoateți cablul de alimentare din sursa de alimentare și/sau acumulatorul din unealta electrică înainte de efectuarea reglajelor, schimbarea accesoriilor sau depozitare.** Aceste măsuri preventive de precauție reduc riscul de pornire accidentală a unelei electrice.
20. **Depozitați unelele electrice în locuri inaccesibile copiilor și interziceți utilizarea uneltelor electrice de către persoane care nu dețin cunoștințele necesare utilizării sau nu au citit aceste instrucțiuni.** Unelele electrice sunt periculoase în mâinile utilizatorilor neexperimentați.
21. **Întrețineți unelele electrice. Verificați alinierea, fixarea și integritatea pieselor mobile și orice altă situație care ar putea influența buna funcționare a unelei electrice.** Dacă piesele mobile sunt defecte, solicitați repararea acestora înainte de a reutiliza unealta electrică. Multe accidente sunt provocate de întreținerea defectuoasă a uneltelor electrice.
22. **Nu folosiți dispozitive de tăiere tocite și murdare.** Dispozitivele de tăiere bine întreținute și ascuțite prezintă risc mai redus de blocare și sunt mai ușor de controlat.
23. **Utilizați unealta electrică și accesoriile, burghiile etc. conform acestor instrucțiuni și țineți cont de condițiile de lucru și de operațiunea pe care o efectuați.** Utilizarea unelei electrice pentru alte operațiuni decât cele pentru care a fost proiectată poate crea situații periculoase.

Utilizarea și întreținerea acumulatorului

24. **Încărcați acumulatorul numai cu încărcătorul specificat de către producător.** Încărcătoarele adecvate unui anumit tip de acumulatori pot reprezenta un pericol de incendiu dacă sunt utilizate cu un alt tip de acumulatori.

25. **Utilizați uneltele electrice numai cu acumulatori special concepuți.** Utilizarea altor acumulatori poate reprezenta un pericol de incendiu și vătămări corporale.
26. **Atunci când nu utilizați acumulatorul, nu îl păstrați laolaltă cu obiecte metalice, de exemplu agrafe pentru hârtie, monede, chei, cuie, șuruburi sau alte obiecte metalice mici, care pot realiza o conexiune între borne.** Scurtcircuitarea bornelor acumulatorului poate provoca arsuri sau incendii.
27. **Dacă acumulatorul este lovit sau scăpat, electrolitul se poate scurge; evitați contactul cu electrolitul.** Dacă atingeți din greșeală electrolitul, spălați-vă cu apă. În cazul pătrunderii electrolitului în ochi, solicitați asistență medicală. Electrolitul scurs din acumulator poate cauza iritații sau arsuri.

Operațiunile de service

28. **Încredințați operațiunile de service unei persoane autorizate, care să utilizeze numai piese de schimb identice.** Astfel, veți avea certitudinea că siguranța unelei electrice nu este afectată.
29. **Urmați instrucțiunile privind lubrifierea și schimbarea accesoriilor.**
30. **Mănerile trebuie să fie în permanență uscate, curate și fără urme de ulei sau grăsimi.**

Avertismente cu privire la siguranță pentru pompa de vid cu acumulator

Citiți cu atenție instrucțiunile din manual; respectarea cu strictețe a procedurilor reprezintă factorul esențial pentru siguranța operatorului.

1. **Pompa de vid este un echipament utilizat pentru evacuarea aerului din sistemele de aer condiționat și refrigerare și din colectoarele de recuperare. Nu o utilizați pentru alte operațiuni.** În caz contrar, se pot produce accidente.
2. **Înainte de utilizare, verificați pompa de vid pentru a detecta eventualele pierderi de ulei.** În caz contrar, se poate produce un incendiu.
3. **Verificați nivelul și gradul de contaminare a uleiului (prezența impurităților etc.) pentru a garanta utilizarea eficientă și în siguranță a pompei.**
4. **Purtați ochelari și mănuși de protecție atunci când manipulați agentul frigorific și evitați contactul cu acesta; în caz contrar, operatorul poate suferi leziuni cutanate și leziuni oculare ireversibile.**
5. **În medii cu temperaturi extrem de ridicate sau scăzute este posibil ca pompa să nu funcționeze la parametri optimi.**

PĂSTRAȚI ACESTE INSTRUCȚIUNI.

⚠️AVERTISMENT: NU ignorați respectarea cu strictețe a regulilor de siguranță bazându-vă pe faptul că sunteți deja familiarizat cu produsul (în urma utilizării îndelungate).

UTILIZAREA INCORECTĂ sau nerespectarea regulilor de siguranță menționate în acest manual poate provoca vătămări corporale grave.

Instrucțiuni importante cu privire la siguranță pentru acumulator

1. **Înainte de a utiliza acumulatorul citiți toate instrucțiunile și simbolurile de pe încărcător (1), acumulator (2) și de pe produsul cu care utilizați acumulatorul (3).**
 2. **Nu demontați acumulatorul.**
 3. **Dacă durata de funcționare se reduce dramatic, întrerupeți imediat utilizarea pompei.** În astfel de situații, pompa se poate supraîncălzi, poate cauza arsuri și poate chiar exploda.
 4. **Dacă electrolitul vă pătrunde în ochi, spălați-vă cu apă curată și solicitați imediat asistență medicală.** În caz contrar, riscați să vă pierdeți vederea.
 5. **Nu scurtcircuitați acumulatorul:**
 - (1) Nu atingeți bornele cu un material conducător de electricitate.
 - (2) Nu păstrați acumulatorul în același loc cu alte obiecte metalice, cum ar fi cuie, monede etc.
 - (3) Nu expuneți acumulatorul la apă sau ploaie.
- Un acumulator scurtcircuitat poate provoca un flux intens de curent electric, supraîncălzire, arsuri sau chiar defectarea unelei.**
6. **Nu păstrați unealta și acumulatorii în locuri în care temperatura poate atinge sau depăși 50 °C.**
 7. **Nu incinerați acumulatorul nici măcar atunci când prezintă deteriorări grave sau este complet uzat. Acumulatorul poate exploda.**
 8. **Aveți grijă să nu scăpați și să nu loviți acumulatorul.**
 9. **Nu utilizați acumulatori defecti.**
 10. **Respectați legislația națională cu privire la reciclarea acumulatorilor.**

PĂSTRAȚI ACESTE INSTRUCȚIUNI.

⚠️ATENȚIE: Utilizați exclusiv acumulatori originali Makita. Utilizarea altor mărci de acumulatori decât Makita sau a acumulatorilor modificați poate duce la explodarea acumulatorilor, care poate cauza incendii, vătămări corporale și pagube materiale. De asemenea, garanția Makita pentru unealta și încărcătorul Makita va fi anulată.

Indicații pentru prelungirea duratei de viață a acumulatorilor

1. **Încărcați acumulatorul înainte de a fi descărcat complet. Opriti întotdeauna unealta și încărcați acumulatorii atunci când observați că unealta nu mai funcționează cu aceeași putere.**
2. **Nu reîncărcați niciodată un acumulator complet încărcat. Supraîncărcarea scurtează durata de viață a acumulatorului.**
3. **Încărcați acumulatorii la o temperatură ambiantă situată între 10 °C și 40 °C. Dacă acumulatorul este fierbinte, lăsați-l să se răcească înainte de a-l încărca.**
4. **Încărcați acumulatorul dacă nu îl utilizați pentru o perioadă lungă de timp (cel puțin o dată la șase luni).**

DESCRIEREA PIESELOR COMPONENTE

► Fig. 1:

- | | |
|--------------------------------------------------------|----------------------------|
| 1. Vizor | 6. Acumulator |
| 2. Bușon de umplere cu ulei/capac orificiu de evacuare | 7. Buton de pornire/oprire |
| 3. Supapă de închidere a filtrului de aspirație | 8. Lampă cu led |
| 4. Mâner | 9. Motor |
| 5. Suport acumulator | 10. Soclu |
| | 11. Rezervor de ulei |
| | 12. Bușon de golire |

DESCRIEREA FUNCȚIILOR

⚠ATENȚIE: Înainte de a efectua reglaje sau de a verifica funcționarea pompei, verificați dacă pompa este oprită și dacă acumulatorul este scos.

Introducerea sau scoaterea acumulatorilor

⚠ATENȚIE: Opriti întotdeauna pompa înainte de a introduce sau scoate acumulatorul.

⚠ATENȚIE: Țineți bine pompa și acumulatorul atunci când introduceți sau scoateți acumulatorul. În caz contrar, acestea vă pot aluneca din mână, ceea ce poate duce la deteriorarea pompei și a acumulatorului și la vătămări corporale.

► Fig. 2:

- | | |
|-------------------------------|----------|
| 1. Indicator de culoare roșie | 2. Buton |
| 3. Acumulator | |

Pentru a scoate acumulatorul, trageți-l din pompă și, simultan, glisați butonul de pe partea frontală a acumulatorului.

Pentru a introduce acumulatorul, potriviți clapeta de pe acumulator în șanțul de pe carcasă și împingeți acumulatorul în poziție. Introduceți-l complet, până când se fixează în poziție cu un scurt clic. Dacă indicatorul de culoare roșie din partea de sus a butonului este vizibil, înseamnă că acumulatorul nu este complet blocat.

⚠ATENȚIE: Introduceți acumulatorul până la capăt, până când indicatorul de culoare roșie nu mai este vizibil. În caz contrar, acumulatorul poate cădea din pompă, provocându-vă vătămări corporale dumneavoastră sau persoanelor din apropierea dumneavoastră.

⚠ATENȚIE: Nu introduceți forțat acumulatorul. Dacă nu alunecă ușor în poziție, înseamnă că nu este introdus corect.

Sistemul de protejare a acumulatorului

► Fig. 3:

1. Marcaj în formă de stea

Pompa este dotată cu un sistem de protejare a acumulatorului. Acest sistem întrerupe automat alimentarea motorului, pentru a prelungi durata de viață a acumulatorului.

Pompa se oprește automat în timpul funcționării dacă aceasta și/sau acumulatorul se află într-una dintre următoarele situații:

Suprasarcină:

Pompa este utilizată într-o manieră care cauzează un consum de curent anormal de ridicat.

În această situație, opriti pompa și opriti accesoriul care a determinat funcționarea în suprasarcină a pompei. După aceea, reporniți pompa.

Dacă pompa nu pornește, înseamnă că acumulatorul este supraîncălzit.

În această situație, lăsați acumulatorul să se răcească înainte de a reporni pompa.

Nivel scăzut de încărcare a acumulatorului:

Energia rămasă este prea scăzută, iar pompa nu funcționează. În această situație, scoateți și încărcați acumulatorul.

NOTĂ: Protecția la supraîncălzire funcționează numai cu un acumulator care poartă marcajul în formă de stea.

Indicarea nivelului de încărcare a acumulatorului

Numai pentru acumulatorii al căror cod de model se termină în litera „B”

► Fig. 4:

1. Lămpi indicatoare
2. Buton de verificare

Apăsăți butonul de verificare de pe acumulator pentru a afișa energia rămasă a acumulatorului. Lămpile indicatoare se aprind timp de câteva secunde.

Lămpi indicatoare			Energie rămasă
Aprinsă	Stinsă	Aprindere intermitentă	
■	□	▩	Între 75% și 100%
■	■	■	Între 50% și 75%
■	■	□	Între 25% și 50%
■	□	□	Între 0% și 25%
▩	□	□	Încărcăți acumulatorul.
■	■	□	Posibilă eroare a acumulatorului.
□	□	■	

NOTĂ: În funcție de condițiile de utilizare și de temperatura ambiantă, nivelul indicat poate fi ușor diferit de cel real.

FUNCȚIONAREA

Pompa este livrată fără ulei.

Consultați paragraful „Umplerea cu ulei” și umpleți rezervorul cu ulei.

⚠️ AVERTISMENT: Funcționarea fără ulei duce la defectarea pompei. În plus, rezervorul de ulei se încinge și poate cauza arsuri sau alte probleme.

Umplerea cu ulei

► Fig. 5:

- Bușon de umplere cu ulei/capac orificiu de evacuare
 - Linie de nivel
 - Vizor
 - Rezervor de ulei
- Scoateți bușonul de umplere cu ulei/capacul orificiului de evacuare și turnați uleiul livrat prin orificiul de umplere.

OBSERVAȚIE: Folosiți întotdeauna ulei original Makita, pentru a asigura funcționarea pompei la parametri optimi.

- Umpleți cu ulei până la mijlocul distanței dintre liniile de nivel superior și inferior ale vizorului.

OBSERVAȚIE: Nivelul de ulei este important. Utilizarea pompei cu un nivel de ulei prea scăzut sau prea ridicat poate duce la defectarea pompei.

Verificarea funcționării la parametri optimi

► Fig. 6:

- Aspirație
 - Robinet de joasă presiune
 - Pompă de vid
 - Baterie de manometre
- Racordați un furtun de alimentare între robinetul de joasă presiune al bateriei de manometre și orificiul de aspirație al pompei.
 - Închideți robinetul de joasă presiune al bateriei de manometre.
 - Deschideți supapa de închidere a filtrului de aspirație.
 - Deschideți supapa de aspirație.
 - Porniți pompa. Dacă presiunea bateriei de manometre indică o valoare de vid între -0,09 și -0,1 MPa în interval de 30 de secunde, înseamnă că pompa funcționează corect.
 - Opriți pompa.

Funcționarea

► Fig. 7:

- Pompă de vid
 - Supapă de închidere a filtrului de aspirație
 - Furtun de alimentare (galben)
 - Baterie de manometre
 - Robinet de joasă presiune
 - Manometru de joasă presiune
 - Robinet de înaltă presiune
 - Furtun de alimentare (albastru)
 - Orificiu de vizitare (partea de joasă presiune)
 - Unitate exterioară
- Racordați furtunurile la pompă, bateria de manometre și unitatea exterioară.

NOTĂ: Dacă dimensiunea orificiului de vizitare este de 1/4", folosiți adaptorul de diametru inclus.

- Verificați dacă robinetele de înaltă presiune și joasă presiune ale bateriei de manometre sunt închise.
- Montați acumulatorul în pompă. (Consultați metoda de introducere a acumulatorului din paragraful „Introducerea sau scoaterea acumulatorilor”.)
- Porniți pompa. Lampa cu led (verde) se aprinde.
- Deschideți supapa de închidere a filtrului de aspirație a pompei și robinetul de joasă presiune al bateriei de manometre.

⚠️ AVERTISMENT: Pompa este fierbinte în timpul funcționării și timp de câteva momente după oprire. Nu atingeți pompa înainte de a se fi răcit. În caz contrar, se pot produce arsuri sau alte accidente.

NOTĂ: Este posibil ca motorul să nu funcționeze la temperaturi scăzute (5 °C sau mai puțin). În acest caz, aduceți pompa într-un spațiu închis și lăsați-o să se încălzească.

- Atunci când se ajunge la vidul specificat (consultați manualul aparatului de aer condiționat), închideți robinetul de joasă presiune al bateriei de manometre.

7. Închideți supapa de închidere a filtrului de aspirație și opriți pompa.

Proba de etanșeitate

Dacă presiunea bateriei de manometre nu crește în interval de cel puțin 5 minute după oprirea pompei, înseamnă că nu există pierderi de aer.

NOTĂ: Atunci când autonomia acumulatorului scade, lampa cu led se stinge și, simultan, se declanșează o alarmă sonoră sub forma unui bip lung. După aproximativ două minute, motorul se oprește. În acest moment, alarma se transformă într-un bip scurt repetat la intervale scurte de timp, anunțând oprirea motorului, iar după 30 de secunde, bipul se oprește. Nu așteptați însă oprirea motorului (sau transformarea bipului lung într-unul scurt), ci închideți supapa de aspirație a pompei și robinetul de joasă presiune al bateriei de manometre.

Verificați dacă pompa este oprită, scoateți acumulatorul și încărcați-l sau înlocuiți-l cu unul de rezervă.

- În tabelul de mai jos este prezentată autonomia acumulatorului.

Autonomie (durate orientative)

Acumulator	Autonomie
BL1860B	75 min
BL1850/BL1850B	50 min
BL1840/BL1840B	40 min
BL1830/BL1830B	30 min

- După finalizarea operațiunilor, scoateți acumulatorul și fixați capacul inclus.

OBSERVAȚIE: În timpul transportului și al funcționării și pe durata depozitării, nu așezați pompa pe o parte sau cu fața în jos. În caz contrar, uleiul se va scurge prin bușonul de umplere/capacul de aerisire.

Transportarea și depozitarea

- Goliți întotdeauna întreaga cantitate de lichide din pompă înainte de a o transporta, pentru a împiedica deteriorarea rezervorului.
- Acoperiți întotdeauna orificiul de aspirație cu capacul inclus, pentru a împiedica pătrunderea impurităților în pompă.
- Aveți grijă ca pompa să se afle întotdeauna în poziție orizontală.
- Depozitați pompa în spații închise, la temperaturi cuprinse între 5 °C și 40 °C.

ÎNȚREȚINEREA

ATENȚIE: Înainte de a efectua operațiunile de verificare sau întreținere, verificați dacă pompa este oprită și dacă acumulatorul este scos.

OBSERVAȚIE: Nu folosiți niciodată benzină, neofalină, diluant, alcool sau substanțe asemănătoare. Componentele se pot decolora, deforma sau fisura.

Pentru a nu afecta SIGURANȚA și FIABILITATEA produsului, operațiunile de reparație, întreținere sau reglare vor fi efectuate de către un centru de service Makita autorizat sau al fabricii, folosindu-se întotdeauna piese de schimb Makita.

Oprirea pompei:

Pentru a prelungi durata de funcționare și pornirea fără probleme a pompei, urmați procedurile de oprire de mai jos.

1. Închideți robinetul bateriei de manometre dintre pompă și sistem.
2. Scoateți furtunul din orificiul de aspirație al pompei.

Acoperiți orificiul de aspirație, pentru a împiedica pătrunderea particulelor contaminante sau a corpurilor străine în pompă.

Verificarea nivelului de ulei

► Fig. 8:

1. Linie de nivel
2. Vizor

- Verificați întotdeauna nivelul și starea uleiului (prezența impurităților etc.) înainte de a pune în funcțiune pompa.

NOTĂ: Umpleți cu ulei până la mijlocul distanței dintre liniile de nivel superior și inferior ale vizorului.

Schimbarea uleiului

► Fig. 9:

1. Supapă de închidere a filtrului de aspirație
 2. Bușon de golire
1. Deschideți supapa de închidere a filtrului de aspirație.
 2. Acționați pompa timp de 1 sau 2 minute, pentru a încălzi uleiul.
 3. Opriți pompa.
 4. Scoateți bușonul de golire și goliți uleiul.
 5. Consultați paragraful „Umplerea cu ulei” și umpleți cu ulei proaspăt.
- Aruncați uleiul uzat respectând legislația națională.

NOTĂ: Se recomandă schimbarea uleiului după 20 de ore de funcționare, pentru a proteja componentele împotriva substanțelor contaminante aspirate în pompă.

Atunci când folosiți pompa la sisteme de refrigerare vechi, schimbați uleiul după fiecare utilizare.

Uleiul pentru pompe de vid:

Starea și tipul uleiului utilizat în oricare pompă de vid de înaltă performanță sunt deosebit de importante pentru stabilirea presiunii absolute care se poate atinge. Se recomandă utilizarea uleiului de înaltă performanță pentru pompe de vid, care conține un amestec special pentru menținerea viscozității maxime la temperaturi normale și îmbunătățirea pornirii la temperaturi scăzute.

Curățarea pompei

1. Dacă uleiul este foarte contaminat, schimbați-l, apoi lăsați pompa să funcționeze timp de 3 – 5 minute.
2. Scurgeți uleiul și umpleți cu ulei proaspăt.
Dacă uleiul este în continuare contaminat, repetați procesul de curățare de două sau de trei ori.

Remedierea problemelor

Problemă	Cauză posibilă	Acțiune de remediere
Pompa nu pornește.	<ol style="list-style-type: none">1. Acumulatorul nu este introdus corect.2. Temperatura ambiantă este prea scăzută.3. Racordare deficitară.4. Pompa este blocată.5. Defecțiune a motorului.	<ol style="list-style-type: none">1. Introduceți corect acumulatorul.2. Lăsați pompa să se încălzească într-un spațiu închis.3. Reparați.4. Reparați.5. Reparați.
Pompa nu creează presiune de vid suficientă.	<ol style="list-style-type: none">1. Pierderi în sistem.2. Ulei insuficient.3. Ulei contaminat.4. Componentele pompei sunt uzate.5. Racorduri, simering și garnituri uzate.6. Defecțiune a motorului.	<ol style="list-style-type: none">1. Reparați sistemul.2. Completați sau schimbați uleiul.3. Curățați rezervorul și schimbați uleiul.4. Reparați.5. Reparați.6. Reparați.
Pierderi de ulei.	<ol style="list-style-type: none">1. Garnituri și simeringuri deteriorate.2. Garnitura inelară a bușonului de golire a uleiului este deteriorată.3. Bușonul de golire a uleiului este slăbit.	<ol style="list-style-type: none">1. Reparați.2. Înlocuiți garnitura inelară.3. Înșurubați bine bușonul de golire a uleiului.
Zgomot neobișnuit.	<ol style="list-style-type: none">1. Defecțiune a motorului.2. Rulmenți gripați.3. Șuruburi slăbite.4. Defecțiune a pompei.5. Se aspiră aer.	<ol style="list-style-type: none">1. Reparați.2. Reparați.3. Strângeți șuruburile.4. Reparați.5. Strângeți capacele și racordurile. Înlocuiți garniturile și inelele de etanșare. Înlocuiți îmbinările sau montați garnituri noi.

Observație: Dacă problema nu se remediază după efectuarea acestor proceduri, adresați-vă celui mai apropiat distribuitor autorizat Makita sau trimiteți pompa la centrul nostru de service.

ACCESORII OPȚIONALE

⚠️ ATENȚIE: Aceste accesorii sau piese suplimentare sunt recomandate pentru unealta Makita prezentată în acest manual. Utilizarea altor accesorii sau piese suplimentare poate reprezenta un pericol de vătămare corporală. Folosiți accesoriul sau piesa suplimentară numai în scopul pentru care a fost creat(ă).

Dacă aveți nevoie de asistență sau doriți mai multe detalii despre aceste accesorii, adresați-vă centrului de service Makita din zona dumneavoastră.

- Acumulatori și încărcătoare originale Makita
- Uleiul pentru pompe de vid 150 ml
- Carcasă din aluminiu pentru pompa de vid
- Furtun pentru pompa de vid
- Supapă cu manometru pentru pompa de vid

NOTĂ: Unele articole din listă pot fi livrate odată cu unealta ca accesorii standard. Acestea pot fi diferite, în funcție de țară.

SPECIFIKACIJE

Model:	DVP180
Priključek za baterijski vložek (kapaciteta)	BL 1860B (6,0 Ah) BL 1850 / BL 1850B (5,0 Ah) BL 1840 / BL 1840B (4,0 Ah) BL 1830 / BL 1830B (3,0 Ah)
Nazivna napetost	DC 18 V
Črpalka	Enostopenjska rotacijska črpalka
Spodriv prostega zraka	50 l/min
Ultimativni vakuum	20 Pa
Kapaciteta olja	100 – 115 ml
Dovod	5/16-palčni moški
Dimenzije	263 mm (D) × 93 mm (Š) × 172 mm (V)
Neto teža (z baterijo BL1850)	3,5 kg

- Zaradi našega programa stalnih raziskav in razvoja se lahko specifikacije v tem dokumentu spremenijo brez vnaprejšnjega obvestila.
- Specifikacije in baterijski vložek se lahko razlikujejo od države do države.
- Teža z baterijskim vložkom v skladu s postopkom EPTA 01/2003

Vakuumska črpalka za odstranjevanje zraka iz zaprtih sistemov (klimatske naprave, rezervoarji itd.)

Ta oprema je izdelana posebej za sisteme HVAC.

Enojna stopnja teh črpalk omogoča doseči potrebno končno raven vakuumu.

Veliko kontrolno okno in nizka raven olja preprečujeta iztekanje olja in zagotavljata zanesljivo uporabo.

Poleg tega kontrolni ventil preprečuje mešanje olja zaradi povratnega toka ob prekinitvi napajanja ali drugi prekinitvi procesa.

Simboli

V nadaljevanju so prikazani simboli, uporabljeni za opremo.

Pred uporabo se prepričajte, ali razumete njihov pomen.



- Preberite navodila za uporabo.



- Opozorilo: vroča površina!
Ne dotikajte se površine okrog tega simbola.
Dotik površine lahko povzroči opekline ali poškodbe.



- Samo za države EU.
Elektronske opreme ali baterijskega vložka ne mečite med gospodinjske odpadke!
V skladu z evropskimi Direktivami o odpadni električni in elektronski opremi ter baterijah in akumulatorjih in odpadnih baterijah in akumulatorjih ter upoštevanju državnih zakonov je treba električno opremo in baterije in baterijske pakete ob koncu njihove življenjske dobe zbirati ločeno in vrniti pristojnemu podjetju za recikliranje.

IZJAVA O SKLADNOSTI ES

Samo za evropske države
Izjava o skladnosti ES je priložena tem navodilom za uporabo kot Dodatek A.

Splošna varnostna opozorila za električno orodje

⚠ OPOZORILO: Preberite vsa varnostna opozorila in navodila. Neupoštevanje opozoril in navodil lahko vodi do električnega udara, požara in/ali resnih poškodb.

Shranite vsa opozorila in navodila, če jih boste še kdaj v prihodnosti potrebovali.

Izraz "električno orodje" v teh opozorilih se nanaša na orodja, ki delujejo na električno energijo (s kablom) ali na baterijsko napajanje (brezžična).

Varnost na delovnem mestu

1. **Delovno mesto ohranjajte čisto in dobro razsvetljeno.** Nered in tema na delovnem mestu vodi do nesreč.
2. **Električnih orodij ne uporabljajte v eksplozivnih ozračjih kot npr. v bližini vnetljivih tekočin, plinov ali prahu.** Električna orodja lahko povzročijo iskre, ki lahko zanetijo prah ali hlape.

- Otrokom in mimoidočim ne dovolite v bližino delujočega električnega orodja. Zaradi odvrnitve pozornosti lahko izgubite nadzor nad orodjem.

Električna varnost

- Vtiči električnega orodja se morajo ujemati z vtičnico. Vtiča nikoli ne spreminjajte. Z ožemljenimi električnimi orodji ne uporabljajte adapterskih vtičev. Nespremenjeni vtiči in ujemajoče se vtičnice zmanjšajo tveganje električnega udara.
- Preprečite stik telesa z ozemljenimi površinami, kot so cevi, radiatorji, kuhinjskimi pečmi in hladilniki. Obstaja namreč povečana nevarnost električnega udara, če je vaše telo ozemljeno.
- Električnih orodij ne izpostavljajte dežju ali mokrim pogojem. Voda, ki pride v električno orodje, bo povečala tveganje električnega udara.
- Ne zlorablajte kabla. Kabla nikoli ne uporabljajte za prenašanje, vlečenje ali izklapljanje električnega orodja iz vtičnice. Kabla ne približujte vročini, olju, ostrim robovom ali premikajočim se delom. Poškodovani ali zavozlani kabli povečajo nevarnost električnega udara.
- Pri uporabi električnega orodja na prostem, uporabljajte podaljševalni kabel, primeren za uporabo na prostem. Uporaba kabla, primernege za zunanjo uporabo, zmanjša nevarnost električnega udara.
- Če se uporabi električnega orodja na vlažni lokaciji ni mogoče izogniti, uporabite dovod, zaščiten s prekinjačem (GFCI). Uporaba prekinjača zmanjša nevarnost električnega udara.

Osebnostna varnost

- Bodite pozorni, glejte, kaj počnete, in med uporabo električnega orodja uporabljajte zdravo pamet. Če ste utrujeni ali pod vplivom drog, alkohola ali zdravil, orodja ne uporabljajte. Trenutek nepozornosti med delovanjem električnega orodja lahko povzroči resne telesne poškodbe.
- Uporabljajte osebno zaščitno opremo. Vedno nosite zaščito za oči. Uporaba zaščitne opreme, kot so protiprašna maska, varnostni čevlji s protizdrsno podplatom, trda čelada ali zaščita za sluh, zmanjša možnost telesnih poškodb.
- Preprečite nenamerni vklop naprave. Zagotovite, da je stikalo na izključenem položaju, preden orodje priključite v vir napajanja in/ali baterijski vložek, ga dvignete ali prenašate. Če imate med prenašanjem električnega orodja prst na stikalu ali napajanje orodja pri vključenem stikalu, lahko vodi do nesreč.
- Odstranite morebitne nastavitvene ključe, preden vključite električno orodje. Če ključ pustite pritrjen na vrtečem se delu električnega orodja, lahko pride do telesnih poškodb.
- Ne segajte predaleč. Med delom ohranjajte stabilnost. To omogoča boljši nadzor nad električnim orodjem v nepričakovanih situacijah.
- Bodite ustrezno oblečeni. Ne nosite ohlapnih oblačil ali nakita. Las, oblačil in rokavic ne približujte premikajočim se delom. Ohlapna oblačila, nakit ali dolgi lasje se lahko zataknejo v premikajoče se dele.

- Če so naprave predvidene za prikllop na odsesovalno napravo in zbiralnike, jih je treba ustrezno priključiti in pravilno uporabljati. Uporaba zbiralnika za prah lahko zmanjša nevarnosti, povezane s prahom.

Uporaba in nega električnega orodja

- Električnega orodja ne uporabljati na silo. Uporabite ustrezno električno orodje glede na delo, ki ga želite izvajati. Pravilno električno orodje bo delo opravilo bolje in varneje s hitrostjo, za katero je zasnovano.
 - Ne uporabljajte električnega orodja, če stikalo ni mogoče vključiti in izključiti. Vsako električno orodje, ki ga ni mogoče upravljati s stikalom, je nevarno in ga je treba popraviti.
 - Izklopite vtič iz električnega vira in/ali odstranite baterijski vložek iz električnega orodja, preden začnete z nastavitvami, zamenjavo dodatkov ali preden orodje spravite. Ti preventivni varnostni ukrepi zmanjšajo nevarnost nezgodnega zagona električnega orodja.
 - Električna orodja v mirovanju shranite izven dosega otrok in osebam, ki niso seznanjene z električnim orodjem ali s temi navodili, ne dovolite uporabljati električnega orodja. Električna orodja v rokah neusposobljenih uporabnikov so nevarna.
 - Vzdržujte električna orodja. Preverite poravnost premičnih delov, prepričajte se, da deli niso zlomljeni in da ni drugih stanj, ki bi vplivala na delovanje električnega orodja. Če je električno orodje poškodovano, ga je treba pred uporabo popraviti. Številne nesreče se zgodijo zaradi slabo vzdrževanih električnih orodij.
 - Rezalno orodje vzdržujte ostro in čisto. Pri pravilno vzdrževanem rezalnem orodju z ostrimi rezalnimi robovi obstaja manj možnosti zatikanja in enostavneje jih je nadzirati.
 - Električno orodje, dodatke, nastavke orodja itd. uporabljajte v skladu s temi navodili, pri čemer upoštevajte delovne pogoje in delo, ki ga želite opraviti. Uporaba električnega orodja za postopke, ki se razlikujejo od predvidenih, lahko vodi do nevarne situacije.
- #### **Uporaba baterijskega orodja in vzdrževanje**
- Baterijo polnite samo s polnilnikom, ki ga je določil proizvajalec. Polnilnik, primeren za eno vrsto baterijskih vložkov, lahko povzroči tveganje požara, če ga uporabljate z drugo vrsto.
 - Električna orodja uporabljajte samo s predvidenimi baterijskimi vložki. Uporaba drugačnih baterijskih vložkov lahko vodi do poškodb in požara.
 - Ko baterijskega vložka ne uporabljajte, ga ne približujte drugim kovinskim predmetom, kot so papirnate sponke, kovanci, ključji, žebliji, vijaki in drugi majhni kovinski predmeti, ki bi lahko vzpostavili povezavo med priključkoma baterije. Kratki stik med priključkoma baterije lahko povzroči opeklino ali požar.

27. Pri napačni uporabi lahko tekočina brizgne iz baterije; preprečite stik. V primeru nezgodnega stika prizadeto mesto sperite z vodo. Če vam tekočina pride v oči, poiščite zdravniško pomoč. Tekočina, ki brizgne iz baterije, lahko povzroči draženje ali opekline.

Servis

28. Električno orodje mora servisirati usposobljeno servisno osebje, pri čemer mora uporabljati identične nadomestne dele. Tako je zagotovljeno vzdrževanje varnosti električnega orodja.
29. Sledite navodilom za mazanje in menjavo dodatkov.
30. Ročaje vzdržujte suhe, čiste in brez olja in masti.

Varnostna opozorila za brezžično vakuumsko črpalko

Pozorno preberite navodila v literaturi. Strogo upoštevanje postopkov je glavni pogoj za varnost upravljalca.

1. Vakuumska črpalka je stroj, ki se uporablja za praznjenje hladilne opreme in opreme za obdelavo z zrakom ter zbiralnikov. Ne uporabljajte je za drugačne namene. To lahko vodi do nesreč.
2. Pred uporabo vedno preglejte, ali iz vakuumske črpalke izteka olje. Če tega ne naredite, lahko pride do požara.
3. Preverite nivo olja in stanje naprave (obraba itd.), da zagotovite varno in učinkovito delo.
4. Pri ravnanju s hladilno tekočino nosite varnostna očala in rokavice in preprečite stik s hladilno tekočino, ker lahko sicer upravljavec oslepi in se poškoduje.
5. V izredno vročih ali hladnih okoljih ni mogoče zagotoviti ustreznega delovanja.

TANAVODILA SKRIBNO HRANITE.

⚠ OPOZORILO: NE dovolite, da bi zaradi udobja in poznavanja izdelka (pridobljeno z redno uporabo) zanemarili varnostna navodila za ta izdelek.

ZLORABA ali neupoštevanje varnostnih pravil v teh navodilih za uporabo lahko vodi do resnih telesnih poškodb.

Pomembna varnostna navodila za baterijski vložek

1. Pred uporabo baterijskega vložka preberite vsa navodila in previdnostne oznake na (1) baterijskem vložku, (2) bateriji in (3) izdelku, ki uporablja baterijo.
2. Ne razstavljajte baterijskega vložka.
3. Če se je čas delovanja znatno skrajšal, takoj prenehajte z uporabo. Lahko namreč pride do pregrevanja, morebitnih opeklin in celo eksplozije.
4. Če vam elektrolit pride v oči, si jih sperite s čisto vodo in takoj pojdite k zdravniku. Lahko namreč oslepite.
5. Baterijskega vložka ne kratko vezati:
 - (1) Ne se dotikati priključkov s kakršnim koli prevodnim materialom.

- (2) Ne hraniti baterijskega vložka v posodi skupaj z drugimi kovinskimi predmeti, kot so želblji, kovanci itd.
- (3) Baterijskega vložka ne izpostavljati vodi ali dežju.

Kratki stik baterije lahko povzroči velik tokovni pretok, pregrevanje, morebitne opekline in celo okvaro.

6. Baterijskega vložka ne hraniti v prostoru, kjer lahko temperature dosežejo ali presežejo 50 °C.
7. Baterijskega vložka ne sežigajte, četudi je poškodovan ali povsem izprazen. Baterijski vložek lahko v ognju eksplodira.
8. Pazite, da vam baterija ne pade na tla ali da je ne udarite.
9. Ne uporabljajte poškodovane baterije.
10. Upoštevajte lokalne predpise glede odlaganje rabljenih baterij.

TANAVODILA SKRIBNO HRANITE.

⚠ POZOR: Uporabljajte samo originalne baterije Makita. Uporaba neoriginalnih baterij Makita ali baterij, ki so bile spremenjene, lahko vodi do eksplozije baterije, kar lahko povzroči požar, telesne poškodbe in škodo. Prav tako v tem primeru preneha veljati garancija podjetja Makita za orodje in polnilnik Makita.

Napotki za ohranjanje najdaljše življenjske dobe baterije

1. Napolnite baterijski vložek, prede se povsem izprazni. Vedno prenehajte z uporabo orodja in napolnite baterijski vložek, če se moč naprave očitno zmanjša.
2. Nikoli ne polnite povsem napolnjenega baterijskega vložka. Prekomerno polnjenje skrajša življenjsko dobo baterije.
3. Baterijski vložek polnite na sobni temperaturi med 10 °C – 40 °C. Vroč baterijski vložek naj se najprej ohladi, preden ga napolnite.
4. Napolnite baterijski vložek, če ga dlje časa niste uporabljali (dlje kot 6 mesecev).

OPIS DELOV

► Slika 1:

- | | |
|---------------------------------------|-----------------------|
| 1. Kontrolno okence | 6. Baterija |
| 2. Pokrovček za nalivanje olja/izpuha | 7. Stikalo za vklop |
| 3. Zaporni ventil za dovod | 8. LED-lučka |
| 4. Ročaj | 9. Motor |
| 5. Držalo baterije | 10. Podstavek |
| | 11. Rezervoar za olje |
| | 12. Izpustni čep |

OPIS FUNKCIJ

⚠️ POZOR: Pred nastavljanjem ali preverjanjem delovanja črpalke vedno izključite črpalko in odstranite baterijski vložek.

Nameščanje ali odstranjevanje baterijskega vložka

⚠️ POZOR: Vedno izključite črpalko, preden vstavite ali odstranite baterijski vložek.

⚠️ POZOR: Pri vstavljanju ali odstranjevanju baterijskega vložka čvrsto držite črpalko in baterijski vložek. Če tega ne boste naredili, vam lahko zdrsneta iz rok, kar lahko vodi do poškodbe črpalke in baterijskega vložka ter telesnih poškodb.

► Slika 2:

1. Rdeči indikator
2. Gumb
3. Baterijski vložek

Da odstranite baterijski vložek, ga potisnite iz črpalke in pri tem potiskajte gumb na sprednji strani vložka.

Za namestitvev baterijskega vložka poravnajte jeziček na vložki z utorom na ohišju in ga vstavite na njegovo mesto. Vstavite ga do konca, dokler ne zaslišite klika. Če na zgornji strani gumba vidite rdeč indikator, baterijski vložek ni pravilno zaskočil.

⚠️ POZOR: Baterijski vložek vedno vstavite do konca, dokler rdeči indikator ne bo več viden. Če ne, lahko pade iz črpalke ter poškoduje vas ali koga v vaši bližini.

⚠️ POZOR: Baterijskega vložka ne vstavljajte na silo. Če vložka ni mogoče enostavno vstaviti, potem ga ne vstavljate pravilno.

Zaščitni sistem baterije

► Slika 3:

1. Oznaka zvezdice

Črpalka je opremljena z zaščitnim sistemom baterije. Ta sistem samodejno prekine napajanje motorja, da podaljša življenjsko dobo baterije. Črpalka se bo med delovanjem samodejno zaustavila, če bo črpalka in/ali baterija pod enim od naslednjih pogojev:

Preobremenitev:

Črpalka se uporablja na način, pri katerem se porablja neobičajno visoki tok.

V tej situaciji izključite črpalko in prenehajte z uporabo, zaradi katere je prišlo do preobremenitve črpalke. Nato črpalko vključite in ponovno zaženite.

Če se črpalka ne zažene, je baterija pregreta.

V tem primeru počakajte, da se baterija ohladi, preden črpalko znova vključite.

Nizka baterijska napetost:

Preostala baterijska napetost je prenizka in črpalka ne deluje. V tem primeru odstranite in napolnite baterijo.

OPOMBA: Zaščita pred pregrevanjem deluje samo pri baterijskih vložkih z oznako zvezdice.

Prikaz preostale kapacitete baterije

Samo za baterijske vložke s črko "B" na koncu številke modela

► Slika 4:

1. Indikatorske lučke
2. Kontrolni gumb

Pritisnite na kontrolni gumb na baterijskem vložku, da se prikaže preostala kapaciteta baterije. Indikatorske lučke bodo za nekaj sekund zasvetile.

Indikatorske lučke			Preostala kapaciteta
Sveti	Ne sveti	Utripa	
			75 % do 100 %
			50 % do 75 %
			25 % do 50 %
			0 % do 25 %
			Napolnite baterijo.
			Morda je prišlo do okvare baterije.

OPOMBA: Glede na pogoje uporabe in temperaturo okolice se lahko prikaz malce razlikuje od dejanske kapacitete.

DELOVANJE

Črpalka ob nakupu ni napolnjena z oljem.

Glejte "Dolivanje olja" in dolijte olje.

⚠️ OPOZORILO: Uporaba črpalke brez olja lahko povzroči okvaro črpalke. Poleg tega se rezervoar za olje močno segreje in lahko pride do opeklin ali drugih nesreč.

Dolivanje olja

► Slika 5:

1. Pokrovček za nalivanje olja/izpuha
2. Črta za nivo
3. Kontrolno okence
4. Rezervoar za olje

1. Odstranite pokrovček za nalivanje olja/izpuha in skozi nastavek za dolivanje olja nalijte ustrezno olje.

OPOMIN: Vedno uporabljajte originalno olje Makita, da zagotovite pravilno delovanje črpalke.

2. Olje dolivajte, dokler nivo olja ne bo med zgornjo in spodnjo črto na kontrolnem okencu.

OPOMIN: Nivo olja je pomemben. Če uporabljate črpalko, ko nivo olja ni med zgornjo in spodnjo oznako, lahko vodi do okvar.

Preverjanje delovanja

► Slika 6:

1. Dovod
2. Ventil na spodnji strani
3. Vakuumska črpalka
4. Zbiralnik
1. Povežite ventil na spodnji strani zbiralnika in dovod črpalke s polnilno gibko cevjo.
2. Zaprite ventil na spodnji strani zbiralnika.
3. Odprite zaporni ventil dovoda.
4. Odprite dovodni ventil.
5. Vključite črpalko. Če se v 30 sekundah prikaže, da je v zbiralniku vzpostavljen vakuumski tlak med -0,09 in -0,1 MPa, črpalka pravilno deluje.
6. Izključite črpalko.

Delovanje

► Slika 7:

1. Vakuumska črpalka
2. Zaporni ventil za dovod
3. Polnilna gibka cev (rumena)
4. Zbiralnik
5. Ventil na spodnji strani
6. Nizkotlačni merilnik
7. Ventil na zgornji strani
8. Polnilna gibka cev (modra)
9. Servisna vrata (nizkotlačna stran)
10. Zunanja enota
1. Povežite črpalko, zbiralnik in zunanjo enoto z gibkimi cevmi.

OPOMBA: Če so servisna vrata na enoti velika 1/4", uporabite priložen adapter z drugačnim premerom.

2. Preverite, ali sta ventila na zgornji in spodnji strani zbiralnika zaprta.
3. Vstavite baterijo v črpalko. (Za način namestitve glejte "Nameščenje ali odstranjevanje baterijskega vložka".)
4. Vključite črpalko. Zsvetila bo LED-lučka (zelena).
5. Odprite zaporni ventil dovoda črpalke in ventil na spodnji strani zbiralnika.

⚠ OPOZORILO: Črpalka je med delovanjem in takoj po zaustavitvi zelo vroča. Ne dotikajte se je, dokler je vroča. Lahko se opečete ali kako drugače poškodujete.

OPOMBA: Motor v hladnem morda ne bo deloval (5 °C ali manj). V tem primeru črpalke odnesite v notranjost in počakajte, da se segreje.

6. Ko se doseže specifičan vakuum (glejte priročnik proizvajalca klimatske naprave), zaprite ventil na spodnji strani zbiralnika.
7. Zaprite zaporni ventil dovoda in izključite črpalko.

Preizkus nepropustnosti zraka

Netesnih mest ni, če se tlak v zbiralniku 5 minut ali več po tem, ko zapusti črpalko in zbiralnik, ne dvigne.

OPOMBA: Ko preostala kapaciteta baterije postane majhna, LED-lučka ugasne in hkrati se oglasi dolgi alarmni pisk. Približno dve minuti pozneje se motor zaustavi. Nato se alarm začne piskati v kratkih zaporednih intervalih, kar pomeni, da se je motor zaustavil. Alarm po 30 sekundah ugasne. Ne čakajte, da se motor zaustavi (ali da alarm začne kratko piskati) in takoj ob prvem alarmu zaprite dovodni ventil črpalke in ventil na nizkotlačni strani zbiralnika.

Preverite, ali je črpalka izključena, odstranite baterijo in jo napolnite ali zamenjajte z nadomestno.

- Za čase delovanja baterije glejte naslednjo tabelo.

Časi delovanja (smernice)

Baterija	Časi delovanja
BL1860B	75 min
BL1850 / BL1850B	50 min
BL1840 / BL1840B	40 min
BL1830 / BL1830B	30 min

- Po koncu dela odstranite baterijo in namestite priložen pokrov.

OPOMIN: Pri transportu, delovanju in shranjevanju črpalke nikoli ne postavite na stran ali obrnjeno narobe. To lahko povzroči iztekanje olja iz odprtine za dolivanje olja/prezračevalnega pokrova.

Transport in shranjevanje

- Pred transportom vakuumske črpalke iz nje vedno odstranite vso tekočino, da preprečite poškodbe zbiralnika.
- Vedno pokrijte dovod s pokrovčkom, da preprečite vdor prahu v črpalko.
- Črpalka mora vedno biti v vodoravnem položaju.
- Črpalko je treba skladiščiti v notranjosti pri temperaturi 5 °C – 40 °C.

VZDRŽEVANJE

⚠ OPOZOR: Pred pregledom ali vzdrževanjem vedno izključite črpalko in odstranite baterijski vložek.

OPOMIN: Nikoli ne uporabljajte bencina, razredčila, alkohola ipd. Lahko pride do razbarvanja, deformacij ali razpok.

Za ohranjanje VARNOSTI in ZANESLJIVOSTI izdelka, vam morajo popravila, katerokoli drugo vzdrževanje ali nastavitve opraviti v pooblaščenih ali tovarniških centrih Makita in vselej z uporabo nadomestnih delov Makita.

Zaustavitev črpalke:

Da podaljšate življenjsko dobo črpalke in zagotovite gladek zagon, je treba pri zaustavitvi črpalke upoštevati naslednje postopke:

1. Zaprite ventil zbiralnika med črpalko in sistemom.
2. Odstranite gibko cev z dovoda črpalke.

Pokrijte dovodno odprtino, da preprečite morebitno kontaminacijo ali vdor tujkov v dovod.

Preverjanje olja

► Slika 8:

1. Črta za nivo
 2. Kontrolno okence
- Pred uporabo črpalke vedno preverite nivo olja in stanje črpalke (obraba itd.).

OPOMBA: Olje dolivajte, dokler nivo olja ne bo med zgornjo in spodnjo črto na kontrolnem okencu.

Zamenjava olja

► Slika 9:

1. Zaporni ventil za dovod
 2. Izpustni čep
1. Odprite zaporni ventil dovoda.
 2. Črpalco zaženite in pustite delovati 1 ali 2 minuti, da se segreje olje.
 3. Izključite črpalco.
 4. Odstranite izpustni čep in iztočite olje.
 5. Glejte "Dolivanje olja" in dolijte sveže olje.
- Staro olje odstranite v skladu z lokalnimi predpisi.

OPOMBA: Priporočeno je, da olje zamenjate po 20 urah uporabe, da zaščitite komponente črpalke pred onesnaževalci, ki lahko zaidejo v črpalke.

Med uporabo vakuuma pri starih hladilnih sistemih je treba olje zamenjati po vsaki uporabi.

Olje za vakuumsko črpalco:

Stanje in vrsta olja, uporabljenega v katerikoli visokozmogljivi vakuumski črpalci, sta izredno pomembna pri določanju največje pridobitve vakuuma. Priporočljivo je, da uporabljate olje za visokozmogljive vakuumske črpalke, ki je zmešano posebej za vzdrževanje največje viskoznosti pri normalnih temperaturah in za izboljšanje zagona v hladnem vremenu.

Čiščenje črpalke

1. Če je olje izredno umazano, ga zamenjajte in nato pustite črpalco delovati 3 do 5 minut.
2. Iztočite olje in dolijte sveže.
Če je iztočeno olje še vedno umazano, postopek ponovite dva do trikrat.

Odpravljanje težav

Pogoj	Možni vzrok	Rešitev
Črpalca se ne zažene.	<ol style="list-style-type: none">1. Baterija ni pravilno vstavljena.2. Temperatura okolice je prenizka.3. Slaba povezava kablov.4. Črpalca je zaklenjena.5. Okvara motorja.	<ol style="list-style-type: none">1. Pravilno vstavite baterijo.2. Segrejte črpalco v notranjosti.3. Popravite.4. Popravite.5. Popravite.
Črpalca ne vzpostavi dovolj vakuuma.	<ol style="list-style-type: none">1. Puščanje sistema.2. Ni dovolj olja.3. Umazano olje.4. Deli črpalke so obrabljeni.5. Poškodovani fittingi, podložke in tesnilo.6. Okvara motorja.	<ol style="list-style-type: none">1. Popravite sistem.2. Dolijte ali zamenjajte olje.3. Očistite rezervoar in zamenjajte olje.4. Popravite.5. Popravite.6. Popravite.
Puščanje olja.	<ol style="list-style-type: none">1. Poškodovane podložke in tesnila gredi.2. Poškodovano okroglo tesnilo izpustnega čepa za olje.3. Izpustni čep za olje je zrahljan.	<ol style="list-style-type: none">1. Popravite.2. Zamenjajte okroglo tesnilo.3. Zategnite izpustni čep za olje.
Neobičajni zvok.	<ol style="list-style-type: none">1. Okvara motorja.2. Poškodba ležaja.3. Zrahljani sorniki.4. Okvara črpalke.5. Vsesava se zrak.	<ol style="list-style-type: none">1. Popravite.2. Popravite.3. Zategnite sornike.4. Popravite.5. Zategnite pokrove in priključke. Zamenjajte podložke in okrogla tesnila. Zamenjajte fittinge ali jih ponovno zatesnite.

Opomba: Če s temi postopki težave ni mogoče odpraviti, se obrnite na najbližjega pooblaščenega distributerja Makita ali pa črpalco pošljite našemu servisnemu centru.

DODATNA OPREMA

⚠️ POZOR: Ti dodatki ali pripomočki so priporočeni za uporabo z vašim orodjem Makita, opisanim v tem priročniku. Uporaba kakršnih koli drugih dodatkov ali priključkov lahko predstavlja tveganje telesnih poškodb. Dodatek ali pripomoček uporabljajte samo za predviden namen.

Če potrebujete pomoč in več podrobnosti o teh dodatkih, se obrnite na servisni center Makita.

- Originalne baterije in polnilniki Makita
- Olje za vakuumsko črpalko 150 ml
- Aluminijasto ohišje vakuumske črpalke
- Gibka cev za vakuumsko črpalko
- Ventil z merilnikom za vakuumsko črpalko

OPOMBA: Nekateri elementi na seznamu so lahko priloženi orodju kot serijski dodatki. To se lahko razlikuje od države do države.

Makita Europe N.V. Jan-Baptist Vinkstraat 2,
3070 Kortenberg, Belgium

Makita Corporation 3-11-8, Sumiyoshi-cho,
Anjo, Aichi 446-8502 Japan

www.makita.com

DVP180-AT9L-1606
EN, DE, PL, HU, SK,
CS, UK, RO, SL
20150824