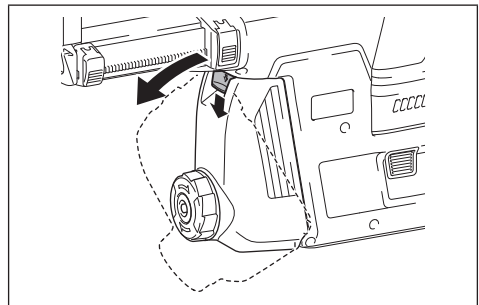
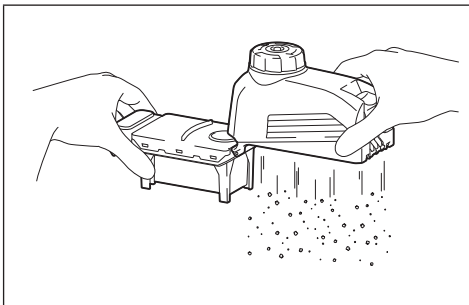
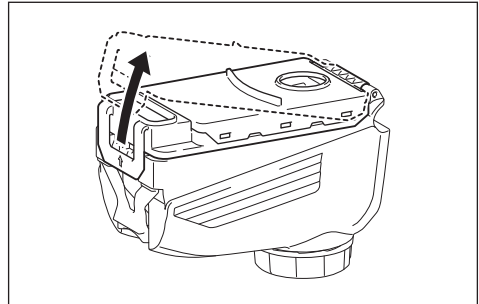
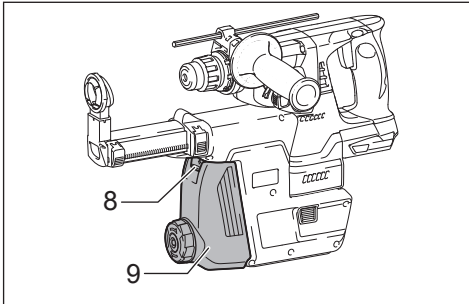
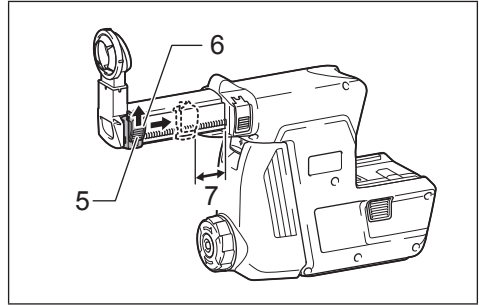
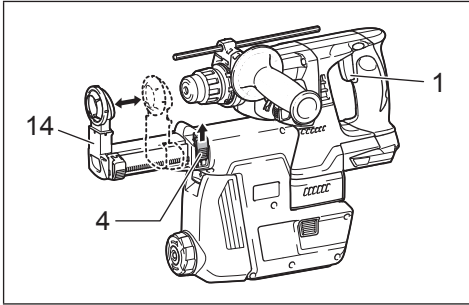
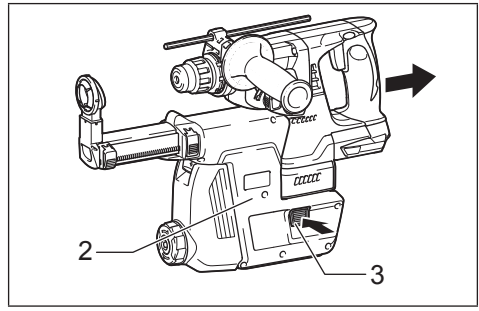
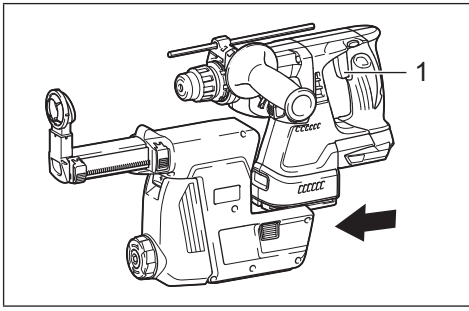


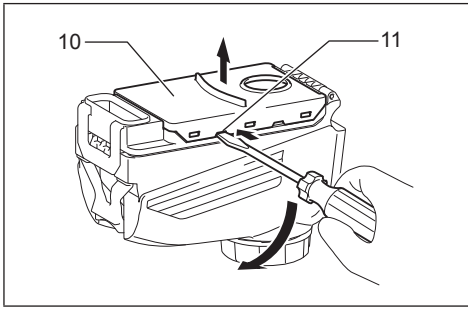


**DX06**  
**DX07**

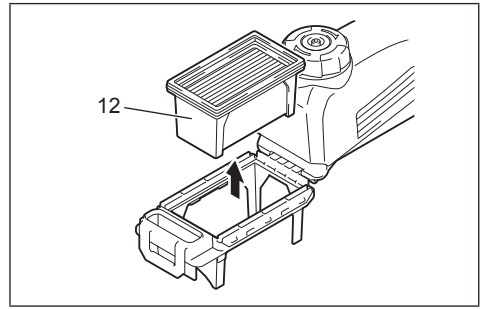
|           |  |                                |
|-----------|--|--------------------------------|
| <b>EN</b> | <b>Dust Collection System</b>              | <b>Instruction Manual</b>      |
| <b>FR</b> | <b>Système D'aspiration Des Poussières</b> | <b>Manuel d'instructions</b>   |
| <b>DE</b> | <b>Staubabsaugung</b>                      | <b>Gebrauchsanleitung</b>      |
| <b>IT</b> | <b>Sistema di raccolta polveri</b>         | <b>Manuale di istruzioni</b>   |
| <b>NL</b> | <b>Stofopvangsysteem</b>                   | <b>Gebruiksaanwijzing</b>      |
| <b>ES</b> | <b>Sistema de Recolección de Polvo</b>     | <b>Manual de instrucciones</b> |
| <b>PT</b> | <b>SISTEMA DE COLETA DE PÓ</b>             | <b>Manual de instruções</b>    |
| <b>DA</b> | <b>Støvsamlingsystem</b>                   | <b>Brugervejledning</b>        |
| <b>EL</b> | <b>Σύστημα συλλογής σκόνης</b>             | <b>Εγχειρίδιο οδηγιών</b>      |
| <b>TR</b> | <b>Toz Toplama Sistemi</b>                 | <b>Kullanım kılavuzu</b>       |
| <b>CS</b> | <b>集尘系统</b>                                | <b>使用说明书</b>                   |



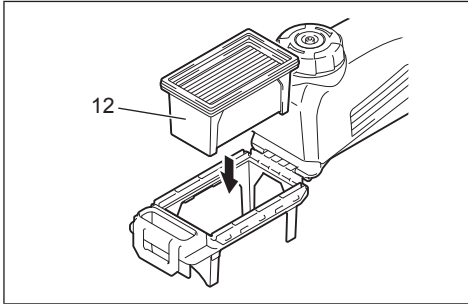




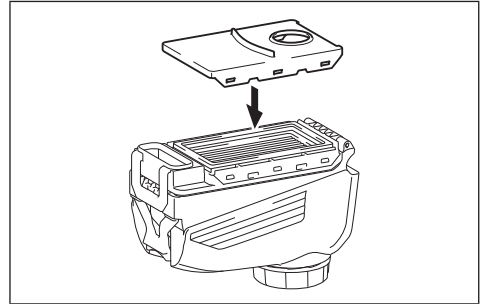
9



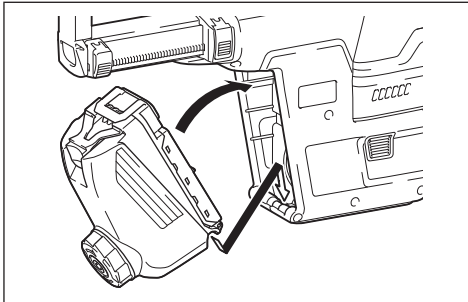
10



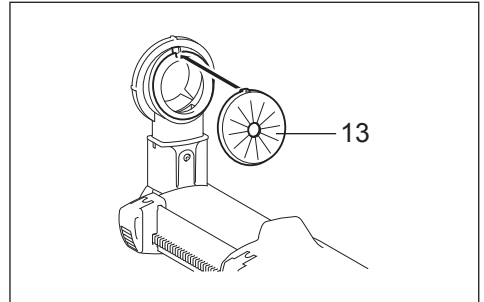
11



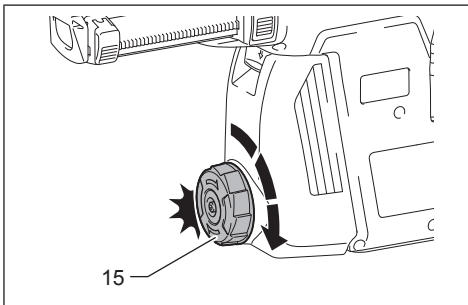
12



13



14



15

**Explanation of general view**

|                                       |  |                |
|---------------------------------------|--|----------------|
| 1 Switch trigger                      | 6 Depth gauge button carriage              | 11 Slit        |
| 2 Attachment (Dust collection system) | 7 Distance (X) equal to the drilling depth | 12 Filter      |
| 3 Release button                      | 8 Dust case release button                 | 13 Sealing cap |
| 4 Stroke adjusting button             | 9 Dust case                                | 14 Nozzle      |
| 5 Depth gauge button                  | 10 Filter cover                            | 15 Dial        |

**Specifications**

| Model                     | DX06      | DX07   |
|---------------------------|-----------|--------|
| Suction performance       | 350 l/min |        |
| Net weight                | 1.5 kg    | 1.5 kg |
| Rated voltage             | 18 V      |        |
| Operating stroke          | 96 mm MAX |        |
| Suitable hammer drill bit | 24 mm MAX |        |

- Due to our continuing program of research and development, the specifications herein are subject to change without notice.
- Specifications and battery cartridge may differ from country to country.
- Weight, with battery cartridge, according to EPTA-Procedure 01/2003

**Symbols**

The following show the symbols used for the equipment. Be sure that you understand their meaning before use.



- Take particular care and attention.



- Read instruction manual.



- Only for EU countries  
Do not dispose of electric equipment or battery pack together with household waste material! In observance of the European Directives, on Waste Electric and Electronic Equipment and Batteries and Accumulators and Waste Batteries and Accumulators and their implementation in accordance with national laws, electric equipment and batteries and battery pack(s) that have reached the end of their life must be collected separately and returned to an environmentally compatible recycling facility.

**Noise**

The typical A-weighted noise level determined according to EN60745:

**Model DX06**

Sound pressure level ( $L_{pA}$ ): 91 dB (A)  
 Sound power level ( $L_{WA}$ ): 102 dB (A)  
 Uncertainty (K): 3 dB (A)

**Model DX07**

Sound pressure level ( $L_{pA}$ ): 90 dB (A)  
 Sound power level ( $L_{WA}$ ): 101 dB (A)  
 Uncertainty (K): 3 dB (A)

**Wear ear protection**

ENG900-1

**Vibration**

The vibration total value (tri-axial vector sum) determined according to EN60745:

**Model DX06, DX07**


Work mode: hammer drilling into concrete  
 Vibration emission ( $a_{h,HD}$ ): 13.0 m/s<sup>2</sup>  
 Uncertainty (K): 1.5 m/s<sup>2</sup>

- The declared vibration emission value has been measured in accordance with the standard test method and may be used for comparing one tool with another.
- The declared vibration emission value may also be used in a preliminary assessment of exposure.

 **WARNING:**

- The vibration emission during actual use of the power tool can differ from the declared emission value depending on the ways in which the tool is used.
- Be sure to identify safety measures to protect the operator that are based on an estimation of exposure in the actual conditions of use (taking account of all parts of the operating cycle such as the times when the tool is switched off and when it is running idle in addition to the trigger time).

## IMPORTANT SAFETY INSTRUCTIONS

 **WARNING! Read all safety warnings and all instructions before operating the attachment.** Failure to follow the warnings and instructions may result in electric shock, fire and/or serious injury.

**Save all warnings and instructions for future reference.**

1. **Use the attachment in accordance with these instructions.** Use of the attachment for operations different from those intended could result in a hazardous situation.
2. **Keep children and bystanders away while operating a power tool.** Distractions can cause you to lose control.
3. **Keep work area clean and well lit.** Cluttered or dark areas invite accidents.
4. **Always wear eye and respiratory protections.**

## BEFORE USE

### Installing or removing the dust collection system

 **WARNING:**

- **Always be sure that the tool is switched off and battery cartridge is removed before carrying out any work on the tool.** Failure to switch off and remove the battery cartridge may result in serious personal injury from accidental start-up.
- **Before installing the dust collection system, make sure that the attachment points and the power tool itself, particularly the electrical interface on the power tool, are free from dust and foreign matter. After installing the dust collection system, also make sure that it is securely installed.**

**NOTE:**

- This dust collection system is intended for use when drilling in only concrete. Never use this system when drilling in metal or wood.
- This dust collection system collect a significant percentage of the dust produced at work but not all of it.
- Empty the dust case regularly. Failure to empty the dust case regularly may cause dust to release.
- Do not use the dust collection system in core drilling or chiseling applications.

To install the dust collection system, follow the procedure below. **(Fig. 1)**

1. Hold the power tool so that finger(s) does not press the switch trigger.
2. Align the interface of the attachment with the power tool guide and slide it on the tool until it locks with a double click sound.
3. After installing the attachment on the power tool, make sure that it is secured properly.

To remove the dust collection system, follow the procedure below. **(Fig. 2)**

1. Hold the power tool so that finger(s) does not press the switch trigger.
2. Press the release button on the attachment and with the button pressed pull it away from the power tool.

## OPERATION

 **CAUTION:**

- **Do not use the tool in wet conditions such as work on concrete surface and the similar.**

### Adjusting the tip protrusion length

The protrusion of the tip is adjustable according to your hammer drill bit length. **(Fig. 3)**

1. Hold the power tool so that finger(s) does not press the switch trigger.
2. **CAUTION:** When the stroke adjusting button is pressed, the telescopic section is released and then it may jump out up to 100 mm under spring pressure. Wear goggles.  
Keep the bar tip of the attachment away from any objects keeping the above jumping-out distance in mind and never point the attachment at yourself, a bystander or animals.  
Press the stroke adjusting button and keep pressing it.

**NOTE:**

- Before starting pressing the stroke adjusting button, push the nozzle forward.
3. Press the power tool with the hammer drill bit installed against the wall until the drill bit tip touches the wall.
  4. Release the stroke adjusting button to lock it.

**Setting the drilling depth (depth gauge)**

If holes require to be drilled to an exact depth, the correct depth needs to be determined by drilling test holes. (Fig. 4)

1. Hold the power tool so that finger(s) does not press the switch trigger.
2. Press the depth gauge button and with the button pressed slide the lock button carriage to the desired length and release it.  
The distance (X) between the attachment housing and the depth gauge button is equal to the drilling depth.

**Operation** **CAUTION:**

- Always follow the instruction in OPERATION of the instruction manual for Makita hammer drills. Failure to observe the instruction manual may cause personal injury.

 **WARNING:**

- Always follow national laws, regulations and ordinance which prescribe working with materials hazardous to health.

**Drilling**

When drilling into concrete, hold the power tool firmly with both hands so that the entire nozzle top keeps in tight contact with the concrete surface. Any part of the nozzle away from the concrete surface may cause poor dust collection.

**Beating dust on the filter (Fig. 15)** **CAUTION:**

- When using the tool with the dust collection system, be sure to attach the filter to the dust collection system to prevent dust inhalation.
- Before using the dust collection system, check that the filter is not damaged. Failure to do so may cause dust inhalation.
- Do not turn the dial on the dust case while the dust case is removed from the dust collection system. Doing so may cause dust inhalation.
- Always switch off the tool when turning the dial on the dust case. Turning the dial while the tool is running may result in the loss of control of the tool.

By beating the dust on the filter inside the dust case, you can keep the vacuum efficiency and also reduce the number of times to dispose of the dust.

Turn the dial on the dust case three times after collecting every 50,000 mm<sup>3</sup> of dust or when you feel the vacuum performance declined.

**NOTE:**

- 50,000 mm<sup>3</sup> of dust equivalents to drilling 10 holes of  $\varnothing 10$  mm and 65 mm depth.

**Switch-off delay function**

After turning off, the dust collection system will run for a few seconds longer to collect the remaining dust in the duct in the dust case.

**Emptying the dust case****NOTE:**

- Too much dust in the dust case would result in a considerable loss of dust extracting power. Accordingly, clean out the dust case regularly.

 **CAUTION:**

- Wear respiratory protection when emptying the dust case.
  - Do not touch the filter section when cleaning it.
  - Do not use a brush or air duster to clean the filter section. Using a brush or compressed air may damage the filter.
1. Before removing the dust case from the attachment, hold the power tool horizontally. (Fig. 5)
  2. Press the dust case release button and with the button depressed pivot it on the lower side axis.
  3. Remove the dust case from the attachment.
  4. To open the dust case, raise the lever lightly and then pivot the transparent section. (Fig. 6)
  5. Empty the dust case by tapping it lightly. (Fig. 7)  
Be careful not to let out excessive dust into the air.
  6. Remount the dust case in place on the attachment.

## MAINTENANCE

### **WARNING:**

- Always be sure that the tool is switched off and battery cartridge is removed before attempting to perform inspection or maintenance.

### **NOTE:**

- **Do not use water, oil, grease, detergent or cleaning agents.**
- Never use gasoline, benzine, thinner, alcohol or the like. Discoloration, deformation or cracks may result.

### **Cleaning of the attachment**

Clean the attachment using only a dry rug and a dry brush.

Wear respiratory protection when cleaning.

### **Replacing the filter**

Check the filter regularly for damage and if damaged, replace the old filter with a new one.

To replace the filter, follow the procedure below.

1. Press the dust case release button and with the button depressed pivot it on the lower side axis. **(Fig. 8)**
2. Remove the dust case from the attachment.
3. Pry up the filter cover on the dust case using a slotted bit screwdriver to be inserted into the slit. **(Fig. 9)**
4. Pull the old filter away from the dust case by hand. **(Fig. 10)**
5. Put a new filter in the original position. **(Fig. 11)**
6. Snap the filter cover on the dust case. **(Fig. 12)**
7. Remount the dust case in place on the attachment. **(Fig. 13)**

### **Replacing the sealing cap (Fig. 14)**

Using a worn or damaged sealing cap may cause poor dust collection.

Check the sealing cap regularly. When the sealing cap is worn or damaged, replace it as follows.

1. Remove the sealing cap from the dust collection system by hand.
2. Put a new sealing cap on the dust collection system so that the protrusion on it is positioned on the upper side.

To maintain product SAFETY and RELIABILITY, any other maintenance or adjustment should be performed by Makita Authorized Service Centers, always using Makita replacement parts.

## TROUBLESHOOTING

| Fault                 | Possible cause                      | Remedy                   |
|-----------------------|-------------------------------------|--------------------------|
| Unusual dust emission | The dust case is full.              | Emptying the dust case.  |
|                       | The sealing cap is worn or damaged. | Replace the sealing cap. |

## OPTIONAL ACCESSORIES

### **CAUTION:**

- These accessories or attachments are recommended for use with your Makita dust collection system specified in this manual. The use of any other accessories or attachments might present a risk of injury to persons. Only use accessory or attachment for its stated purpose.

If you need any assistance for more details regarding these accessories, ask your local Makita Service Center.

- Dust case (with filter)
- Filter

### **NOTE:**

- Some items in the list may be included in the tool package as standard accessories. They may differ from country to country.

**Descriptif**

|  |   |                         |
|--|---|-------------------------|
| 1 Gâchette   | 6 Guide du bouton de la jauge de profondeur     | 10 Couvercle du filtre  |
| 2 Accessoire (Système d'aspiration des poussières) | 7 Distance (X) égale à la profondeur de perçage | 11 Fente                |
| 3 Bouton de dégagement                             | 8 Bouton de dégagement du logement à poussières | 12 Filtre               |
| 4 Bouton de réglage de la course                   | 9 Logement à poussières                         | 13 Bouchon d'étanchéité |
| 5 Bouton de la jauge de profondeur                 |   | 14 Buse                 |
|  |   | 15 Cadran               |

**Spécifications**

| Modèle                           | DX06      | DX07   |
|----------------------------------|-----------|--------|
| Performance d'aspiration         | 350 l/min |        |
| Poids net                        | 1,5 kg    | 1,5 kg |
| Tension nominale                 | 18 V      |        |
| Course de travail                | 96 mm MAX |        |
| Foret de marteau-piqueur adéquat | 24 mm MAX |        |

- En raison de l'évolution constante de notre programme de recherche et développement, les spécifications contenues dans ce manuel sont sujettes à modification sans préavis.
- Les spécifications et la batterie peuvent varier d'un pays à l'autre.
- Poids, batterie incluse, selon la procédure EPTA 01/2003

**Symboles**

Vous trouverez ci-dessous les symboles utilisés pour l'appareil. Veuillez à comprendre leur signification avant d'utiliser l'appareil.



- Redoublez de précaution.



- Lisez le manuel d'instructions.



- Uniquement pour les pays européens  
Ne jetez pas les appareils électriques ou les batteries avec vos ordures ménagères ! Conformément aux directives européennes relatives aux déchets d'équipements électriques et électroniques et aux piles et accumulateurs ainsi qu'aux déchets de piles et d'accumulateurs et leur mise en œuvre conformément aux lois nationales, les équipements électriques et les batteries en fin de vie doivent faire l'objet d'une collecte sélective et être confiés à une usine de recyclage respectueuse de l'environnement.

**Bruit**

Niveau de bruit pondéré A typique, déterminé selon EN60745 :

**Modèle DX06**

Niveau de pression sonore ( $L_{pA}$ ) : 91 dB (A)  
 Niveau de puissance sonore ( $L_{WA}$ ) : 102 dB (A)  
 Incertitude (K) : 3 dB (A)

**Modèle DX07**

Niveau de pression sonore ( $L_{pA}$ ) : 90 dB (A)  
 Niveau de puissance sonore ( $L_{WA}$ ) : 101 dB (A)  
 Incertitude (K) : 3 dB (A)

**Portez un serre-tête antibruit**

ENG900-1

**Vibration**

Valeur totale de vibrations (somme de vecteur triaxial) déterminée selon EN60745 :

**Modèle DX06, DX07**

Mode de travail : perçage avec martelage dans le béton  
 Émission de vibrations ( $a_{h,HD}$ ) : 13,0 m/s<sup>2</sup>  
 Incertitude (K) : 1,5 m/s<sup>2</sup>




- La valeur d'émission de vibrations déclarée a été mesurée conformément à la méthode de test standard et peut être utilisée pour comparer les outils entre eux.
- La valeur d'émission de vibrations déclarée peut aussi être utilisée pour l'évaluation préliminaire de l'exposition.

### **AVERTISSEMENT :**

- L'émission de vibrations lors de l'usage réel de l'outil électrique peut être différente de la valeur d'émission déclarée, suivant la façon dont l'outil est utilisé.
- Les mesures de sécurité à prendre pour protéger l'utilisateur doivent être basées sur une estimation de l'exposition dans des conditions réelles d'utilisation (en tenant compte de toutes les composantes du cycle d'utilisation, comme le moment de sa mise hors tension, lorsqu'il tourne à vide et le moment de son déclenchement).

## **CONSIGNES DE SÉCURITÉ IMPORTANTE**

 **AVERTISSEMENT !** Veuillez lire tous les avertissements et toutes les instructions avant d'utiliser l'accessoire. Le non-respect des avertissements et instructions peut entraîner une électrocution, un incendie et/ou de graves blessures.

**Conservez tous les avertissements et toutes les instructions pour référence ultérieure.**

1. **Utilisez l'accessoire conformément à ces instructions.** L'utilisation d'un accessoire à des fins autres que celles prévues est potentiellement dangereuse.
2. **Tenez à distance enfants et passants pendant que vous opérez un outil électrique.** Une distraction peut vous faire perdre le contrôle de l'outil.
3. **Maintenez l'aire de travail propre et bien éclairée.** Une aire de travail en désordre ou mal éclairée augmente les risques d'accident.
4. **Portez toujours des protections pour les yeux et les voies respiratoires.**

## **AVANT UTILISATION**

### **Mise en place ou retrait du système d'aspiration des poussières**

#### **AVERTISSEMENT :**

- **Assurez-vous toujours que l'outil est éteint et que la batterie est retirée avant de procéder à n'importe quelle tâche sur l'outil. Ne pas éteindre l'outil ni retirer la batterie pourrait provoquer de graves blessures corporelles suite au démarrage involontaire.**
- **Avant d'installer le système d'aspiration des poussières, assurez-vous que les points clés de l'accessoire et l'outil électrique lui-même, en particulier l'interface électrique de ce dernier, sont exempts de poussières ou de corps étrangers. Après avoir installé le système d'aspiration des poussières, assurez-vous également qu'il est solidement installé.**

#### **NOTE :**

- Ce système d'aspiration des poussières est destiné à être utilisé lors du perçage dans du béton seulement. Ne l'utilisez jamais lors du perçage dans du métal ou du bois.
- Ce système d'aspiration des poussières recueille un pourcentage important de la poussière produite, mais pas toute la poussière.
- Videz régulièrement le logement à poussières, sous peine de laisser s'échapper la poussière.
- N'utilisez pas le système d'aspiration des poussières pour percer au foret-alésoir ou buriner.

Procédez comme il est indiqué ci-dessous pour installer le système d'aspiration des poussières. (Fig. 1)

1. Tenez l'outil électrique de sorte que votre ou vos doigts n'appuient pas sur la gâchette.
2. Alignez l'interface de l'accessoire sur le guide de l'outil électrique et faites-le glisser sur l'outil jusqu'à ce qu'il se verrouille en place (vous devez entendre deux clics).
3. Après avoir installé l'accessoire sur l'outil électrique, assurez-vous qu'il est solidement fixé.

Procédez comme il est indiqué ci-dessous pour retirer le système d'aspiration des poussières. (Fig. 2)

1. Tenez l'outil électrique de sorte que votre ou vos doigts n'appuient pas sur la gâchette.
2. Appuyez sur le bouton de dégagement de l'accessoire et avec le bouton enfoncé, détachez-le de l'outil électrique.

## FONCTIONNEMENT

### ATTENTION :

- N'utilisez pas l'outil dans un environnement humide lorsque vous travaillez sur une surface en béton et similaire.

### Réglage de la longueur de l'extrémité

L'avancée de l'extrémité est réglable selon la longueur de la foret du marteau-piqueur. (Fig. 3)

1. Tenez l'outil électrique de sorte que votre ou vos doigts n'appuient pas sur la gâchette.
2. ATTENTION : Lorsque le bouton de réglage de la course est enfoncé, la section télescopique est libérée et elle peut sauter jusqu'à 100 mm sous la pression du ressort. Portez des lunettes de protection.  
Tenez la pointe de la barre de l'accessoire à l'écart de tout objet en ayant à l'esprit la distance de saut ci-dessus et ne dirigez jamais l'accessoire vers vous, un passant ou un animal.  
Maintenez enfoncé le bouton de réglage de la course.

### NOTE :

- Avant d'appuyer sur le bouton de réglage de la course, poussez la buse vers l'avant.
3. Appuyez l'outil électrique avec le foret du marteau-piqueur en place contre le mur jusqu'à ce que la pointe du foret touche le mur.
  4. Relâchez le bouton de réglage de la course pour le verrouiller.

### Réglage de la profondeur de perçage (jauge de profondeur)

S'il est nécessaire de percer des trous à une profondeur précise, la profondeur correcte doit être déterminée en perçant des trous d'essai. (Fig. 4)

1. Tenez l'outil électrique de sorte que votre ou vos doigts n'appuient pas sur la gâchette.
2. Appuyez sur le bouton de la jauge de profondeur et avec le bouton enfoncé, faites glisser le guide du bouton de verrouillage sur la longueur souhaitée, puis relâchez-le.  
La distance (X) entre le boîtier de l'accessoire et le bouton de la jauge de profondeur est égale à la profondeur du perçage.

## Fonctionnement

### ATTENTION :

- Suivez toujours les instructions fournies dans la section FONCTIONNEMENT du manuel d'instructions pour les marteaux-piqueurs Makita. Ne pas suivre le manuel d'instructions peut entraîner des blessures corporelles.

### AVERTISSEMENT :

- Respectez toujours les lois, réglementations et ordonnances nationales en matière de travail avec des matériaux dangereux pour la santé.

### Perçage

Lorsque vous percez dans le béton, tenez l'outil électrique fermement des deux mains afin que l'intégralité de la pointe de l'embout soit en contact étroit avec la surface en béton. Toute portion de l'embout éloignée de la surface en béton risque de diminuer la capacité de collecte de la poussière.

### Battre la poussière sur le filtre (Fig. 15)

### ATTENTION :

- Lorsque vous utilisez l'outil avec le système de collecte des poussières, veillez à y fixer le filtre pour éviter d'inhaler des poussières.
- Avant d'utiliser le système de collecte des poussières, vérifiez que le filtre n'est pas endommagé. Le non-respect de cette règle peut entraîner une inhalation de poussières.
- Ne tournez pas le cadran sur le logement à poussières alors que le logement à poussières est détaché du système de collecte des poussières. Vous risqueriez d'inhaler la poussière.
- Éteignez toujours l'outil lorsque vous tournez le cadran sur le logement à poussières. Si vous tournez le cadran alors que l'outil fonctionne, vous risquez de perdre la maîtrise de l'outil.

En battant la poussière sur le filtre à l'intérieur du logement à poussières, vous pouvez conserver l'efficacité de l'aspiration et également réduire le nombre de retraits de la poussière.

Tournez le cadran sur le logement à poussières trois fois après avoir recueilli 50 000 mm<sup>3</sup> de poussière ou lorsque vous trouvez que la performance d'aspiration a diminué.

### NOTE :

- 50 000 mm<sup>3</sup> de poussière est équivalent au perçage de 10 orifices de 10 mm de diamètre et 65 mm de profondeur.

### Fonction de retard de la mise hors tension

Après sa mise hors tension, le système d'aspiration des poussières tourne encore pendant quelques secondes pour recueillir la poussière restante dans le conduit du logement à poussières.

## Vider le logement à poussières

### NOTE :

- Une trop grande quantité de poussière dans le logement à poussières risque de réduire considérablement la capacité d'aspiration de la poussière. Par conséquent, nettoyez régulièrement le logement à poussières.

### ATTENTION :

- Portez une protection pour les voies respiratoires lorsque vous videz le logement à poussières.
  - Ne touchez pas la section du filtre lors de son nettoyage.
  - N'utilisez pas de brosse ou d'aspirateur pour nettoyer la section du filtre. L'utilisation d'une brosse ou d'air comprimé peut endommager le filtre.
1. Avant de retirer le logement à poussières de l'accessoire, tenez l'outil électrique à la horizontale. **(Fig. 5)**
  2. Appuyez sur le bouton de dégagement du logement à poussières et avec le bouton enfoncé, faites-le pivoter sur l'axe latéral inférieur.
  3. Retirez le logement à poussières de l'accessoire.
  4. Pour ouvrir le logement à poussières, soulevez légèrement le levier, puis faites pivoter la section transparente. **(Fig. 6)**
  5. Videz le logement à poussières en tapotant légèrement dessus. **(Fig. 7)**  
Prenez garde de ne pas relâcher trop de poussière dans l'air.
  6. Remettez le logement à poussières en place sur l'accessoire.

## ENTRETIEN

### AVERTISSEMENT :

- Assurez-vous toujours que l'outil est hors tension et la batterie retirée avant d'effectuer tout travail d'inspection ou d'entretien.

### NOTE :

- **N'utilisez pas d'eau, d'huile, de graisse, de détergents ou de produits nettoyants.**
- N'utilisez pas d'essence, de benzène, de diluant, d'alcool ou produits similaires. Ils présentent un risque de décoloration, de déformation ou de fissuration.

### Nettoyage de l'accessoire

Nettoyez l'accessoire uniquement avec un chiffon sec et une brosse sèche.

Portez une protection pour les voies respiratoires lors du nettoyage.

### Remplacement du filtre

Vérifiez régulièrement que le filtre n'est pas endommagé et le cas échéant, remplacez l'ancien filtre par un neuf.

Pour remplacer le filtre, procédez comme il est indiqué ci-dessous.

1. Appuyez sur le bouton de dégagement du logement à poussières et avec le bouton enfoncé, faites-le pivoter sur l'axe latéral inférieur. **(Fig. 8)**
2. Retirez le logement à poussières de l'accessoire.
3. Soulevez le couvercle du filtre sur le logement à poussières avec un tournevis plat que vous insérerez dans la fente. **(Fig. 9)**
4. Retirez manuellement l'ancien filtre du logement à poussières. **(Fig. 10)**
5. Placez le filtre neuf sur l'emplacement d'origine. **(Fig. 11)**
6. Enclenchez le couvercle du filtre sur le logement à poussières. **(Fig. 12)**
7. Remettez le logement à poussières en place sur l'accessoire. **(Fig. 13)**

### Remplacement du bouchon d'étanchéité (Fig. 14)

Si vous utilisez un bouchon d'étanchéité usé ou abîmé, la capacité de collecte de la poussière peut diminuer.

Vérifiez régulièrement le bouchon d'étanchéité. Lorsque le bouton d'étanchéité est usé ou abîmé, remplacez-le comme suit.

1. Retirez manuellement le bouchon d'étanchéité du système d'aspiration des poussières.
2. Placez un bouchon d'étanchéité neuf sur le système d'aspiration des poussières de sorte que sa partie saillante se trouve sur la face supérieure.

Pour maintenir la SÉCURITÉ et la FIABILITÉ du produit, tout autre travail d'entretien ou de réglage doit être effectué dans un centre de service après-vente Makita agréé, exclusivement avec des pièces de rechange Makita.

## GUIDE DE DÉPANNAGE

| Défaillance                        | Cause possible                            | Solution                           |
|------------------------------------|---|------------------------------------|
| Émission inhabituelle de poussière | Le logement à poussières est plein.       | Vider le logement à poussières.    |
|                                    | Le bouchon d'étanchéité est usé ou abîmé. | Remplacer le bouchon d'étanchéité. |

## ACCESSOIRES EN OPTION



### ATTENTION :

- Ces accessoires ou pièces complémentaires sont recommandés pour l'utilisation avec le système d'aspiration des poussières Makita spécifié dans ce manuel. L'utilisation de tout autre accessoire ou pièce complémentaire peut comporter un risque de blessure. N'utilisez les accessoires ou pièces complémentaires qu'aux fins pour lesquelles ils ont été conçus.

Si vous désirez obtenir plus de détails concernant ces accessoires, veuillez contacter votre centre de service après-vente Makita local.

- Logement à poussières (avec filtre)
- Filtre

### NOTE :

- Il se peut que certains éléments de la liste soient compris dans l'emballage de l'outil en tant qu'accessoires standard. Ils peuvent varier d'un pays à l'autre.

**Erläuterung der Gesamtansicht**

|   |                              |    |  |    |             |
|---|------------------------------|----|--|----|-------------|
| 1 | Elektronikschalter           | 7  | Der Bohrtiefe entsprechender Abstand (X) | 11 | Schlitz     |
| 2 | Aufsatz (Staubabsaugung)     | 8  | Staubsaammelbehälter-Entriegelungsknopf  | 12 | Filter      |
| 3 | Entriegelungsknopf           | 9  | Staubsaammelbehälter                     | 13 | Dichtkappe  |
| 4 | Hub-Einstellknopf            | 10 | Filterdeckel                             | 14 | Düse        |
| 5 | Tiefenanschlagknopf          |    |  | 15 | Einstellrad |
| 6 | Tiefenanschlagknopfschlitten |    |  |    |             |

**Technische Daten**

| Modell                      | DX06       | DX07   |
|-----------------------------|------------|--------|
| Saugleistung                | 350 l/min  |        |
| Nettogewicht                | 1,5 kg     | 1,5 kg |
| Nennspannung                | 18 V       |        |
| Betriebshub                 | max. 96 mm |        |
| Geeigneter Schlagbohrmeißel | max. 24 mm |        |

- Aufgrund unseres Dauerprogramms der Forschung und Entwicklung unterliegen die hier angegebenen technischen Daten Änderung ohne Vorankündigung.
- Die technischen Daten und der Akku können von Land zu Land unterschiedlich sein.
- Gewicht mit Akku nach EPTA-Verfahren 01/2003

**Symbole**

Nachfolgend werden die für das Gerät verwendeten Symbole beschrieben. Machen Sie sich vor der Benutzung mit ihrer Bedeutung vertraut.



- Besondere Umsicht und Aufmerksamkeit erforderlich.



- Gebrauchsanleitung lesen.



- Nur für EG-Länder  
Werfen Sie Elektrogeräte oder Akkus nicht in den Hausmüll!  
Unter Einhaltung der Europäischen Richtlinie über Elektro- und Elektronik-Altgeräte, Batterien, Akkus sowie verbrauchte Batterien und Akkus und ihre Umsetzung gemäß den Landesgesetzen müssen Elektrogeräte und Batterien bzw. Akkus, die das Ende ihrer Lebensdauer erreicht haben, getrennt gesammelt und einer umweltgerechten Recycling-Einrichtung zugeführt werden.

**Geräusch**

Typischer A-bewerteter Geräuschpegel ermittelt gemäß EN60745:

**Modell DX06**

Schalldruckpegel ( $L_{pA}$ ): 91 dB (A)  
Schallleistungspegel ( $L_{WA}$ ): 102 dB (A)  
Ungewissheit (K): 3 dB (A)

**Modell DX07**

Schalldruckpegel ( $L_{pA}$ ): 90 dB (A)  
Schallleistungspegel ( $L_{WA}$ ): 101 dB (A)  
Ungewissheit (K): 3 dB (A)

**Gehörschützer tragen**

ENG900-1

**Vibration**

Vibrationsgesamtwert (Drei-Achsen-Vektorsumme) ermittelt gemäß EN60745:

**Modell DX06, DX07**


Arbeitsmodus: Hammerbohren in Beton  
Vibrationsemission ( $a_{h, HD}$ ): 13,0 m/s<sup>2</sup>  
Ungewissheit (K): 1,5 m/s<sup>2</sup>

- Der angegebene Vibrationsemissionswert wurde im Einklang mit der Standardprüfmethode gemessen und kann für den Vergleich zwischen Werkzeugen herangezogen werden.
- Der angegebene Vibrationsemissionswert kann auch für eine Vorbewertung des Gefährdungsgrads verwendet werden.

#### **WARNUNG:**

- Die Vibrationsemission während der tatsächlichen Benutzung des Elektrowerkzeugs kann je nach der Benutzungsweise des Werkzeugs vom angegebenen Emissionswert abweichen.
- Identifizieren Sie Sicherheitsmaßnahmen zum Schutz des Benutzers anhand einer Schätzung des Gefährdungsgrads unter den tatsächlichen Benutzungsbedingungen (unter Berücksichtigung aller Phasen des Arbeitszyklus, wie z. B. Ausschalt- und Leerlaufzeiten des Werkzeugs zusätzlich zur Betriebszeit).

## **WICHTIGE SICHERHEITSVORSCHRIFTEN**

 **WARNUNG! Lesen Sie alle Sicherheitswarnungen und Anweisungen durch, bevor Sie den Aufsatz in Betrieb nehmen.** Eine Missachtung der unten aufgeführten Warnungen und Anweisungen kann zu einem elektrischen Schlag, Brand und/oder schweren Verletzungen führen.

**Bewahren Sie alle Warnungen und Anweisungen für spätere Bezugnahme auf.**

1. **Benutzen Sie den Aufsatz im Einklang mit diesen Anweisungen.** Unsachgemäßer Gebrauch des Aufsatzes kann zu einer Gefahrensituation führen.
2. **Halten Sie Kinder und Umstehende während der Benutzung eines Elektrowerkzeugs vom Arbeitsbereich fern.** Ablenkungen können dazu führen, dass Sie die Kontrolle verlieren.
3. **Halten Sie den Arbeitsbereich sauber und gut beleuchtet.** Unaufgeräumte oder dunkle Bereiche führen zu Unfällen.
4. **Tragen Sie stets einen Augen- und Atemschutz.**

## **VOR GEBRAUCH**

### **Anbringen und Abnehmen des Staubabsaugungs-Systems**

#### **WARNUNG:**

- **Vergewissern Sie sich vor der Ausführung von Arbeiten an der Maschine stets, dass die Maschine ausgeschaltet und der Akku abgenommen ist. Wird das Ausschalten der Maschine und das Abnehmen des Akkus unterlassen, kann es zu schweren Verletzungen durch versehentliches Anlaufen kommen.**
- **Vergewissern Sie sich vor dem Anbringen des Staubabsaugungs-Systems, dass die Befestigungspunkte und das Elektrowerkzeug selbst, insbesondere die elektrische Schnittstelle am Elektrowerkzeug, frei von Staub und Fremdkörpern sind. Stellen Sie außerdem nach der Montage des Staubabsaugungs-Systems sicher, dass es einwandfrei montiert ist.**

#### **HINWEIS:**

- Dieses Staubabsaugungs-System ist ausschließlich für den Einsatz bei Bohrarbeiten in Beton vorgesehen. Benutzen Sie dieses System niemals beim Bohren in Metall oder Holz.
- Dieses Staubabsaugungs-System sammelt einen beträchtlichen Prozentsatz der bei der Arbeit erzeugten Staubgesamtmenge auf.
- Leeren Sie den Staubsammelbehälter regelmäßig. Wird der Staubsammelbehälter nicht regelmäßig geleert, kann Staub freigesetzt werden.
- Verwenden Sie das Staubabsaugungs-System nicht bei Kernbohr- oder Meißelarbeiten.

Bringen Sie das Staubabsaugungs-System nach dem folgenden Verfahren an. **(Abb. 1)**

1. Halten Sie das Elektrowerkzeug so, dass der Elektronikschalter nicht von einem Finger betätigt wird.
2. Richten Sie die Schnittstelle des Aufsatzes auf die Führung des Elektrowerkzeugs aus, und schieben Sie ihn auf die Maschine, bis er mit einem zweifachen Klicken einrastet.
3. Nachdem Sie den Aufsatz am Elektrowerkzeug montiert haben, vergewissern Sie sich, dass er einwandfrei gesichert ist.

Nehmen Sie das Staubabsaugungs-System nach dem folgenden Verfahren ab. **(Abb. 2)**

1. Halten Sie das Elektrowerkzeug so, dass der Elektronikschalter nicht von einem Finger betätigt wird.
2. Drücken Sie den Entriegelungsknopf am Aufsatz, und ziehen Sie den Aufsatz bei gedrücktem Knopf vom Elektrowerkzeug ab.

## BETRIEB

### VORSICHT:

- Benutzen Sie die Maschine nicht bei nassen Verhältnissen, z. B. bei Arbeiten an Betonflächen o. Ä.

### Einstellen des Spitzenvorsprungs

Der Vorsprung der Spitze kann entsprechend der Länge des Schlagbohrmeißels eingestellt werden. (Abb. 3)

1. Halten Sie das Elektrowerkzeug so, dass der Elektronikschalter nicht von einem Finger betätigt wird.
2. VORSICHT: Durch Drücken des Hub-Einstellknopfes wird der Teleskopteil freigegeben, worauf er unter Federdruck bis zu 100 mm herauspringen kann. Tragen Sie eine Schutzbrille.  
Halten Sie die Stangenspitze des Aufsatzes unter Berücksichtigung des obigen Vorsprungabstands von jeglichen Gegenständen fern, und richten Sie den Aufsatz niemals auf sich selbst, Umstehende oder Tiere.  
Drücken Sie den Hub-Einstellknopf kontinuierlich.

### HINWEIS:

- Bevor Sie beginnen, die Hubeinstelltaste zu drücken, schieben Sie die Düse nach vorn.
3. Drücken Sie das Elektrowerkzeug mit montiertem Schlagbohrmeißel gegen die Wand, bis die Bohrmeißelspitze die Wand berührt.
  4. Lassen Sie den Hub-Einstellknopf los, um ihn zu verriegeln.

### Einstellen der Bohrtiefe (Tiefenanschlag)

Sollen Löcher auf eine genaue Tiefe gebohrt werden, so muss die korrekte Tiefe durch Bohren von Probelöchern ermittelt werden. (Abb. 4)

1. Halten Sie das Elektrowerkzeug so, dass der Elektronikschalter nicht von einem Finger betätigt wird.
2. Schieben Sie den Arretierknopfschlitten bei gedrücktem Tiefenanschlagknopf auf die gewünschte Länge, und lassen Sie dann den Knopf los.  
Der Abstand (X) zwischen dem Aufsatzgehäuse und dem Tiefenanschlagknopf entspricht der Bohrtiefe.

### Betrieb

### VORSICHT:

- Befolgen Sie stets die Anweisungen im Abschnitt BETRIEB der Gebrauchsanleitung für Makita-Schlagbohrmaschinen. Eine Missachtung der Anweisungen in der Gebrauchsanleitung kann Verletzungen zur Folge haben.

### WARNUNG:

- Befolgen Sie stets die Gesetze, Vorschriften und Bestimmungen des jeweiligen Landes, die das Arbeiten mit gesundheitsschädlichen Materialien vorschreiben.

### Bohren

Wenn Sie in Beton bohren, halten Sie das Elektrowerkzeug mit beiden Händen fest, so dass die gesamte Düsenspitze in engem Kontakt mit der Betonoberfläche bleibt. Jeder Teil der Düse, der nicht mit der Betonoberfläche in Kontakt ist, kann schlechte Staubabsaugung verursachen.

### Ausklopfen des Filters (Abb. 15)

### VORSICHT:

- Wenn Sie das Werkzeug mit dem Staubabsaugsystem verwenden, bringen Sie unbedingt den Filter am Staubabsaugsystem an, um Einatmen von Staub zu verhindern.
- Bevor Sie das Staubabsaugsystem benutzen, stellen Sie sicher, dass der Filter nicht beschädigt ist. Anderenfalls kann es zu Einatmen von Staub kommen.
- Drehen Sie nicht das Einstellrad am Staubsammelbehälter, während der Staubsammelbehälter vom Staubabsaugsystem entfernt ist. Anderenfalls kann es zu Einatmen von Staub kommen.
- Schalten Sie stets das Werkzeug aus, wenn Sie das Einstellrad am Staubsammelbehälter drehen. Drehen des Einstellrads bei laufendem Werkzeug kann zum Verlust der Kontrolle über das Werkzeug führen.

Durch Ausklopfen des Filters im Staubsammelbehälter können Sie die Saugeffizienz aufrechterhalten und auch die Anzahl der Staubentleerungen verringern.

Drehen Sie das Einstellrad am Staubsammelbehälter dreimal, nachdem sich jeweils 50.000 mm<sup>3</sup> Staub angesammelt haben, oder wenn Sie das Gefühl haben, dass die Saugleistung nachgelassen hat.

### HINWEIS:

- 50.000 mm<sup>3</sup> Staub entsprechen dem Bohren von 10 Löchern von  $\varnothing 10$  mm und 65 mm Tiefe.

### Ausschaltverzögerung

Nach dem Ausschalten läuft das Staubabsaugungs-System noch wenige Sekunden weiter, um den restlichen Staub im Kanal des Staubsammelbehälters aufzusammeln.

## Entleeren des Staubsammelbehälters

### HINWEIS:

- Zu viel Staub im Staubsammelbehälter würde zu beträchtlichem Verlust der Staubabsaugleistung führen. Entleeren Sie daher den Staubsammelbehälter regelmäßig.

### VORSICHT:

- Tragen Sie einen Atemschutz beim Entleeren des Staubsammelbehälters.
  - Vermeiden Sie eine Berührung des Filterteils beim Reinigen.
  - Bürsten oder Druckluftreiniger sollten nicht zum Reinigen des Filterteils verwendet werden. Bei Verwendung einer Bürste oder von Druckluft kann der Filter beschädigt werden.
1. Bevor Sie den Staubsammelbehälter vom Aufsatz abnehmen, halten Sie das Elektrowerkzeug waagrecht. **(Abb. 5)**
  2. Schwenken Sie den Staubsammelbehälter bei gedrücktem Entriegelungsknopf um die untere Achse.
  3. Nehmen Sie den Staubsammelbehälter vom Aufsatz ab.
  4. Um den Staubsammelbehälter zu öffnen, heben Sie den Hebel geringfügig an, und schwenken Sie dann den transparenten Teil. **(Abb. 6)**
  5. Entleeren Sie den Staubsammelbehälter durch leichtes Abklopfen. **(Abb. 7)**  
Achten Sie darauf, dass nicht zu viel Staub in die Luft gelangt.
  6. Bringen Sie den Staubsammelbehälter wieder am Aufsatz an.

## WARTUNG

### WARNUNG:

- Vergewissern Sie sich vor der Durchführung von Inspektions- oder Wartungsarbeiten stets, dass die Maschine ausgeschaltet und der Akku abgenommen ist.

### HINWEIS:

- **Verwenden Sie kein Wasser, Öl, Fett, Waschmittel oder Reinigungsmittel.**
- Verwenden Sie auf keinen Fall Benzin, Benzol, Verdünner, Alkohol oder dergleichen. Solche Mittel können Verfärbung, Verformung oder Rissbildung verursachen.

### Reinigen des Aufsatzes

Reinigen Sie den Aufsatz nur mit einem trockenen Lappen und einer trockenen Bürste.

Tragen Sie einen Atemschutz bei der Reinigung.

### Auswechseln des Filters

Überprüfen Sie den Filter regelmäßig auf Beschädigung, und ersetzen Sie den alten Filter bei Beschädigung durch einen neuen.

Wechseln Sie den Filter nach dem folgenden Verfahren aus.

1. Schwenken Sie den Staubsammelbehälter bei gedrücktem Entriegelungsknopf um die untere Achse. **(Abb. 8)**
2. Nehmen Sie den Staubsammelbehälter vom Aufsatz ab.
3. Drücken Sie den Filterdeckel am Staubsammelbehälter mit einem in den Schlitz eingeführten Schlitzschraubendreher hoch. **(Abb. 9)**
4. Ziehen Sie den alten Filter mit der Hand vom Staubsammelbehälter ab. **(Abb. 10)**
5. Setzen Sie einen neuen Filter an der Ausgangsposition ein. **(Abb. 11)**
6. Drücken Sie den Filterdeckel auf den Staubsammelbehälter. **(Abb. 12)**
7. Bringen Sie den Staubsammelbehälter wieder am Aufsatz an. **(Abb. 13)**

### Auswechseln der Dichtkappe **(Abb. 14)**

Eine abgenutzte oder beschädigte Dichtkappe kann schlechte Staubabsaugung verursachen.

Überprüfen Sie die Dichtkappe regelmäßig. Eine abgenutzte oder beschädigte Dichtkappe ist wie folgt auszuwechseln.

1. Entfernen Sie die Dichtkappe mit der Hand vom Staubabsaugungs-System.
2. Bringen Sie eine neue Dichtkappe so am Staubabsaugungs-System an, dass ihr Vorsprung oben liegt.

Um die SICHERHEIT und ZUVERLÄSSIGKEIT dieses Produkts zu gewährleisten, sollten andere Wartungs- oder Einstellarbeiten nur von autorisierten Makita-Kundendienstzentren unter ausschließlicher Verwendung von Makita-Originalersatzteilen ausgeführt werden.



## FEHLERSUCHE

| Fehler                      | Mögliche Ursache                              | Abhilfemaßnahme                        |
|-----------------------------|---|--|
| Ungewöhnliche Staubemission | Der Staubsammelbehälter ist voll.             | Entleeren Sie den Staubsammelbehälter. |
|                             | Die Dichtkappe ist abgenutzt oder beschädigt. | Wechseln Sie die Dichtkappe aus.       |

## SONDERZUBEHÖR



### VORSICHT:

- Die folgenden Zubehörteile oder Vorrichtungen werden für den Einsatz mit dem in dieser Anleitung beschriebenen Makita-Staubabsaugungs-System empfohlen. Die Verwendung anderer Zubehörteile oder Vorrichtungen kann eine Verletzungsgefahr darstellen. Verwenden Sie Zubehörteile oder Vorrichtungen nur für ihren vorgesehenen Zweck.

Wenn Sie weitere Einzelheiten bezüglich dieser Zubehörteile benötigen, wenden Sie sich bitte an Ihre Makita-Kundendienststelle.

- Staubsammelbehälter (mit Filter)
- Filter

### HINWEIS:

- Manche Teile in der Liste können als Standardzubehör im Werkzeugsatz enthalten sein. Sie können von Land zu Land unterschiedlich sein.

**Spiegazione della veduta generale**

|  |  |                     |
|--|--|---------------------|
| 1 Interruttore                             | 7 Distanza (X) uguale alla               | 13 Tappo di sigillo |
| 2 Accessorio (Sistema di raccolta polveri) | profondità di perforazione               | 14 Bocchetta        |
| 3 Bottone di sgancio                       | 8 Bottone di sgancio contenitore polvere | 15 Manopola         |
| 4 Bottone di regolazione corsa             | 9 Contenitore polveri                    |                     |
| 5 Bottone di calibro profondità            | 10 Coperchio filtro                      |                     |
| 6 Carrello bottone di calibro profondità   | 11 Fessura                               |                     |
|  | 12 Filtro                                |                     |

**Dati tecnici**

|                                     |            |        |
|-------------------------------------|------------|--------|
| Modello                             | DX06       | DX07   |
| Prestazioni di aspirazione          | 350 l/min  |        |
| Peso netto                          | 1,5 kg     | 1,5 kg |
| Tensione nominale                   | 18 V       |        |
| Corsa di funzionamento              | 96 mm max. |        |
| Punta trapano martello utilizzabile | 24 mm max. |        |

- Per il nostro continuo programma di ricerca e sviluppo, questi dati tecnici sono soggetti a modifiche senza avviso.
- I dati tecnici e la batteria potrebbero essere diversi da Paese a Paese.
- Peso, con batteria, secondo la Procedura EPTA 01/2003

**Simboli**

Quanto segue mostra i simboli usati per l'attrezzatura. Accertarsi di capirne il significato prima dell'uso.



- Prestare una particolare cura e attenzione.



- Leggere il manuale di istruzioni.



- Per i Paesi europei soltanto  
Non gettare l'elettrodomestico o la cartuccia batteria insieme con i rifiuti domestici!  
In osservanza delle direttive europee riguardanti gli apparecchi elettrici, elettronici, batterie e accumulatori di scarto, e batterie e accumulatori di scarto, e la loro implementazione in conformità con le leggi nazionali, gli apparecchi elettrici, le batterie e le cartucce batteria che hanno raggiunto la fine della loro vita di servizio devono essere raccolti separatamente e portati a un centro di riciclaggio compatibile con l'ambiente.

**Rumore**

Livello tipico del rumore pesato A determinato conformemente a EN60745:

**Modello DX06**

Livello di pressione suono ( $L_{pA}$ ): 91 dB (A)  
 Livello di potenza suono ( $L_{WA}$ ): 102 dB (A)  
 Incertezza (K): 3 dB (A)

**Modello DX07**

Livello di pressione suono ( $L_{pA}$ ): 90 dB (A)  
 Livello di potenza suono ( $L_{WA}$ ): 101 dB (A)  
 Incertezza (K): 3 dB (A)

**Indossare la protezione per le orecchie**

ENG900-1

**Vibrazioni**

Valore totale vibrazioni (somma vettore triassiale) determinato conformemente a EN60745:

**Modello DX06, DX07**

Modalità di lavoro: Foratura con martellamento del cemento  
 Emissione di vibrazioni ( $a_{h,HD}$ ): 13,0 m/s<sup>2</sup>  
 Incertezza (K): 1,5 m/s<sup>2</sup>

- Il valore dichiarato di emissione delle vibrazioni è stato misurato conformemente al metodo di test standard, e può essere usato per paragonare un utensile con un altro.
- Il valore dichiarato di emissione delle vibrazioni può anche essere usato in una valutazione preliminare di esposizione.



#### **AVVERTIMENTO:**

- L'emissione delle vibrazioni durante l'utilizzo dell'utensile elettrico può essere diversa dal valore dichiarato delle emissioni a seconda dei modi in cui si usa l'utensile.
- Identificare le misure di sicurezza per la protezione dell'operatore basate su una valutazione dell'esposizione in condizioni reali d'uso (tenendo conto di tutte le fasi del ciclo operativo, come le volte che si spegne l'utensile e quando gira a vuoto, oltre che al tempo di utilizzo).

## **ISTRUZIONI IMPORTANTI PER LA SICUREZZA**



**AVVERTIMENTO:** Leggere tutti gli avvertimenti per la sicurezza e tutte le istruzioni prima di far funzionare l'accessorio. La mancata osservanza degli avvertimenti e delle istruzioni potrebbe causare scosse elettriche, un incendio e/o un grave incidente.

**Conservare tutti gli avvertimenti e le istruzioni per farvi riferimento in futuro.**

1. **Usare l'accessorio secondo queste istruzioni.** L'utilizzo dell'accessorio per operazioni diverse da quelle previste potrebbe causare una condizione di pericolo.
2. **Tenere lontani i bambini e gli astanti durante l'utilizzo dell'utensile elettrico.** Le distrazioni possono causare la perdita di controllo.
3. **Tenere l'area di lavoro pulita e bene illuminata.** Le aree in disordine e scure invitano gli incidenti.
4. **Indossare sempre le protezioni per gli occhi e la respirazione.**

## **PRIMA DELL'USO**

### **Installazione e rimozione del sistema di raccolta polvere**



#### **AVVERTIMENTO:**

- **Accertarsi sempre che l'utensile sia spento e di avere rimosso la batteria prima di qualsiasi intervento sull'utensile. Il mancato spegnimento e rimozione della batteria potrebbe causare un grave incidente per l'avviamento accidentale dell'utensile.**
- **Prima di installare il sistema di raccolta polvere, accertarsi che i punti di attacco e che l'utensile stesso, in particolare l'interfaccia elettrica dell'utensile elettrico, siano esenti da polvere e sostanze estranee. Dopo l'installazione del sistema di raccolta polvere, accertarsi anche che sia installato saldamente.**

#### **NOTA:**

- Questo sistema di raccolta polvere è progettato esclusivamente per la perforazione del cemento. Questo sistema non deve mai essere usato per la perforazione dei metalli o del legno.
- Questo sistema di raccolta polvere raccoglie una notevole percentuale della polvere prodotta durante il lavoro, ma non tutta.
- Svuotare regolarmente il contenitore polvere. Se il contenitore polvere non viene svuotato regolarmente, si potrebbe causare una fuoriuscita della polvere.
- Il sistema di raccolta polvere non deve essere usato nelle applicazioni di foratura con utensile o di scalpellatura.

Per installare il sistema di raccolta polvere, usare il procedimento seguente. **(Fig. 1)**

1. Tenere l'utensile elettrico in modo che le dita non premano l'interruttore.
2. Allineare l'interfaccia dell'accessorio sulla guida dell'utensile elettrico, e spingerla nell'utensile finché si blocca con il rumore di un doppio clic.
3. Dopo l'installazione dell'accessorio sull'utensile elettrico, accertarsi che sia fissato saldamente.

Per rimuovere il sistema di raccolta polvere, usare il procedimento seguente. **(Fig. 2)**

1. Tenere l'utensile elettrico in modo che le dita non premano l'interruttore.
2. Premere il bottone di sgancio sull'accessorio e, mantenendo premuto il bottone, tirarlo via dall'utensile elettrico.

## FUNZIONAMENTO

### **ATTENZIONE:**

- Non usare l'utensile sul bagnato, come su una superficie di cemento bagnata e altre simili.

### **Regolazione della lunghezza di sporgenza della punta**

La sporgenza della punta è regolabile secondo la lunghezza della punta del trapano martello. (Fig. 3)

1. Tenere l'utensile elettrico in modo che le dita non premano l'interruttore.
2. **PRECAUZIONE:** Quando si preme il bottone di regolazione corsa, la sezione telescopica si sgancia e può poi saltare fuori di un massimo di 100 mm sotto la pressione della molla. Indossare occhiali di protezione. Tenere la punta della barra dell'accessorio lontana da qualsiasi oggetto tenendo la distanza di salto in fuori sopra, e non puntare mai l'accessorio su di sé, sugli astanti o sugli animali. Premere il bottone di regolazione corsa e mantenerlo premuto.

### **NOTA:**

- Spingere la bocchetta in avanti prima di cominciare a premere il bottone di regolazione corsa.
3. Premere l'utensile elettrico con la punta di trapano martello installata contro la parete finché la punta trapano tocca la parete.
  4. Rilasciare il bottone di regolazione corsa per bloccarlo.

### **Impostazione della profondità di perforazione (calibro di profondità)**

Se si devono trapanare fori della stessa precisa profondità, la profondità corretta può essere determinata eseguendo dei fori di prova. (Fig. 4)

1. Tenere l'utensile elettrico in modo che le dita non premano l'interruttore.
2. Premere il bottone di calibro profondità e, mantenendo premuto il bottone, spingere il carrello del bottone di blocco sulla lunghezza desiderata e rilasciarlo.  
La distanza (X) tra l'alloggiamento dell'accessorio e il bottone di calibro profondità è uguale alla lunghezza di perforazione.

## **Funzionamento**

### **ATTENZIONE:**

- Seguire sempre le istruzioni di FUNZIONAMENTO del manuale di istruzioni per i trapani martello Makita. La mancata osservanza del manuale di istruzioni potrebbe causare un incidente.

### **AVVERTIMENTO:**

- Osservare sempre le leggi, norme e ordinanze locali che stabiliscono la modalità di lavorazione con materiali pericolosi alla salute.

## **Perforazione**

Per perforare il cemento, tenere saldamente l'utensile elettrico con entrambe le mani, in modo che l'intera parte superiore della bocchetta sia a stretto contatto con la superficie del cemento. Qualsiasi parte della bocchetta discosta dalla superficie del cemento potrebbe causare una scarsa raccolta della polvere.

## **Abbattimento delle polveri presenti sul filtro (Fig. 15)**

### **ATTENZIONE:**

- Quando si intende utilizzare l'utensile con il sistema di raccolta polveri, accertarsi di montare il filtro sul sistema di raccolta polveri, per evitare l'inalazione delle polveri.
- Prima di utilizzare il sistema di raccolta polveri, verificare che il filtro non sia danneggiato. La mancata osservanza di questa indicazione potrebbe causare l'inalazione delle polveri.
- Non ruotare la manopola sul contenitore polveri mentre quest'ultimo è rimosso dal sistema di raccolta polveri. In caso contrario, si potrebbe causare l'inalazione delle polveri.
- Spegnerne sempre l'utensile quando si intende ruotare la manopola sul contenitore polveri. Qualora si ruoti la manopola mentre l'utensile è in funzione, si potrebbe causare la perdita di controllo dell'utensile.

Abbattendo le polveri presenti sul filtro all'interno del contenitore polveri, è possibile preservare l'efficienza dell'aspiratore, nonché ridurre il numero di interventi di smaltimento delle polveri.

Ruotare la manopola sul contenitore polveri tre volte ogni volta che sono stati raccolti circa 50.000 mm<sup>3</sup> di polveri o quando si nota che le prestazioni di aspirazione si sono ridotte.

### **NOTA:**

- 50.000 mm<sup>3</sup> di polveri sono equivalenti alla perforazione di 10 fori di diametro pari a 10 mm e di profondità pari a 65 mm.

## **Funzione di ritardo spegnimento**

Dopo lo spegnimento, il sistema di raccolta polvere continua a funzionare per alcuni secondi per raccogliere la polvere restante nel condotto del contenitore polvere.

## Svuotamento del contenitore polvere

### NOTA:

- La troppa polvere nel contenitore polvere causa una considerevole perdita di potenza di estrazione della polvere. Bisogna perciò pulire regolarmente il contenitore polvere.

### ATTENZIONE:

- Indossare una protezione per la respirazione quando si svuota il contenitore polvere.
  - Non toccare la sezione del filtro quando lo si pulisce.
  - Non usare una spazzola o aria compressa per pulire la sezione del filtro. Usando una spazzola o aria compressa si potrebbe danneggiare il filtro.
1. Prima di rimuovere il contenitore polvere dall'accessorio, mantenere orizzontale l'utensile elettrico. **(Fig. 5)**
  2. Premere il bottone di sgancio contenitore polvere e, mantenendo premuto il bottone, girarlo sull'asse laterale inferiore.
  3. Rimuovere il contenitore polvere dall'accessorio.
  4. Per aprire il contenitore polvere, sollevare leggermente la leva e girare poi la sezione trasparente. **(Fig. 6)**
  5. Svuotare il contenitore polvere dandogli dei leggeri colpetti. **(Fig. 7)**  
Fare attenzione a non rilasciare polvere eccessiva nell'aria.
  6. Rimontare il contenitore polvere sull'accessorio.

## MANUTENZIONE

### AVVERTIMENTO:

- Accertarsi sempre che l'utensile sia spento e di avere rimosso la batteria prima di cercare di eseguire l'ispezione o la manutenzione.

### NOTA:

- **Non usare acqua, olio, grasso, detergente o liquidi di pulizia.**
- Non si devono mai usare benzina, benzolo, solventi, alcol o sostanze simili. Si potrebbero verificare scolorimenti, deformazioni o crepe.

### Pulizia dell'accessorio

Pulire l'accessorio usando soltanto uno straccio asciutto e una spazzola asciutta.  
Indossare una protezione per la respirazione durante la pulizia.

### Sostituzione del filtro

Controllare regolarmente che il filtro non sia danneggiato e, se è danneggiato, sostituire il vecchio filtro con un altro nuovo.

Per sostituire il filtro, usare il procedimento seguente.

1. Premere il bottone di sgancio contenitore polvere e, mantenendo premuto il bottone, girarlo sull'asse laterale inferiore. **(Fig. 8)**
2. Rimuovere il contenitore polvere dall'accessorio.
3. Aprire il coperchio del filtro sul contenitore polvere usando un cacciavite piatto da inserire nella fessura. **(Fig. 9)**
4. Tirare via il vecchio filtro dal contenitore polvere con le mani. **(Fig. 10)**
5. Mettere il nuovo filtro nella posizione originale. **(Fig. 11)**
6. Chiudere il coperchio del filtro sul contenitore polvere. **(Fig. 12)**
7. Rimontare il contenitore polvere sull'accessorio. **(Fig. 13)**

### Sostituzione del tappo di sigillo (Fig. 14)

L'impiego di un tappo di sigillo usurato o danneggiato potrebbe causare una scarsa raccolta della polvere.

Controllare regolarmente il tappo di sigillo. Se il tappo di sigillo è usurato o danneggiato, sostituirlo come segue.

1. Rimuovere il tappo di sigillo dal sistema di raccolta polvere con le mani.
2. Mettere un nuovo tappo di sigillo sul sistema di raccolta polvere in modo che la sporgenza su di esso sia posizionata sul lato superiore.

Per mantenere la SICUREZZA e l'AFFIDABILITÀ del prodotto, qualsiasi altro intervento di manutenzione o di regolazione deve essere eseguito da un Centro di Assistenza Makita autorizzato usando sempre ricambi Makita.

## CORREZIONE DEI PROBLEMI

| Problema                      | Causa probabile                              | Rimedio                          |
|-------------------------------|--|----------------------------------|
| Emissione inusuale di polvere | Il contenitore polvere è pieno.              | Svuotare il contenitore polvere. |
|                               | Il tappo di sigillo è usurato o danneggiato. | Sostituire il tappo di sigillo.  |

## ACCESSORI OPZIONALI

### **ATTENZIONE:**

- Questi accessori o attacchi sono consigliati per l'uso con il sistema di raccolta polvere Makita specificato in questo manuale. L'impiego di altri accessori o attacchi potrebbe causare il pericolo di incidenti alle persone. Usare soltanto gli accessori o attacchi per il loro scopo prefissato.

Per qualsiasi assistenza riguardo a ulteriori dettagli su questi accessori, rivolgersi al Centro di Assistenza Makita locale.

- Contenitore polveri (con filtro)
- Filtro

### **NOTA:**

- Alcuni articoli nella lista potrebbero essere inclusi nell'imballo dell'utensile come accessori standard. Essi potrebbero differire da Paese a Paese.

**Uitleg van het totaaloverzicht**

|                                     |   |                  |
|-------------------------------------|---|------------------|
| 1 Trekkerschakelaar                 | 6 Drager diepteregelknop                  | 10 Filterdeksel  |
| 2 Aanzetstuk<br>(Stofopvangsysteem) | 7 Afstand (X) gelijk aan de<br>boordiepte | 11 Sleuf         |
| 3 Ontgrendelknop                    | 8 Ontgrendelknop voor<br>stofopvangdoos   | 12 Filter        |
| 4 Slaginstelknop                    | 9 Stofopvangdoos                          | 13 Afsluitdop    |
| 5 Diepteregelknop                   |   | 14 Blaasmondstuk |
|                                     |   | 15 Knop          |

**Technische gegevens**

| Model                  | DX06      | DX07   |
|------------------------|-----------|--------|
| Zuigkracht             | 350 l/min |        |
| Netto gewicht          | 1,5 kg    | 1,5 kg |
| Nominale spanning      | 18 V      |        |
| Werkingsslag           | 96 mm MAX |        |
| Geschikte boorhamerkop | 24 mm MAX |        |

- Vanwege ons voortgaand onderzoeks- en ontwikkelingsprogramma kunnen de bijgaande technische gegevens zonder voorafgaande kennisgeving worden gewijzigd.
- De technische gegevens en de uitvoering van de accu kunnen van land tot land verschillen.
- Gewicht inclusief accu, volgens de EPTA-procedure 01/2003

**Symbolen**

Hieronder volgen de symbolen die voor de apparatuur gebruikt worden. Zorg dat u vóór het gebruik de betekenis ervan duidelijk begrijpt.



- Wees vooral voorzichtig en oplettend.



- Lees de gebruiksaanwijzing.



- Alleen voor landen van de EU  
Geef elektrische apparatuur of accu's niet met het huishoudelijk afval mee!  
Volgens de Europese richtlijnen inzake oude elektrische en elektronische apparatuur, batterijen en accu's inclusief opgebruikte batterijen en accu's, en de tenuitvoerlegging daarvan binnen de nationale wetgeving, dienen opgebruikte elektrische apparaten, accu's en batterijen gescheiden te worden ingezameld, om te worden verwerkt door een recyclebedrijf dat voldoet aan de geldende milieu-eisen.

**Geluid**

De typische, A-gewogen geluidsniveaus gemeten volgens EN60745:

**Model DX06**

- Geluidsdrukniveau ( $L_{pA}$ ): 91 dB (A)
- Geluidsvermogeniveau ( $L_{WA}$ ): 102 dB (A)
- Onnauwkeurigheid (K): 3 dB (A)

**Model DX07**

- Geluidsdrukniveau ( $L_{pA}$ ): 90 dB (A)
- Geluidsvermogeniveau ( $L_{WA}$ ): 101 dB (A)
- Onnauwkeurigheid (K): 3 dB (A)

**Draag oorbescherming**

ENG900-1

**Trillingen**

De totale trillingswaarde (triaxiale vectorsom) zoals vastgesteld volgens EN60745:

**Model DX06, DX07**

- Gebruikstoepassing: klopboren in beton
- Trillingsemissie ( $a_{n, HD}$ ): 13,0 m/s<sup>2</sup>
- Onnauwkeurigheid (K): 1,5 m/s<sup>2</sup>

- De opgegeven trillingsemissiewaarde is gemeten volgens de standaardtestmethode en kan worden gebruikt om dit gereedschap te vergelijken met andere gereedschappen.
- De opgegeven trillingsemissiewaarde kan ook worden gebruikt voor een beoordeling vooraf van de blootstelling.

#### **WAARSCHUWING:**

- De trillingsemissie tijdens het gebruik van het elektrisch gereedschap in de praktijk kan verschillen van de opgegeven trillingsemissiewaarde afhankelijk van de manier waarop het gereedschap wordt gebruikt.
- Zorg dat veiligheidsmaatregelen worden getroffen ter bescherming van de gebruiker, die zijn gebaseerd op een schatting van de blootstelling onder praktijkomstandigheden (rekening houdend met alle fasen van de bedrijfscyclus, zoals de tijdsduur gedurende welke het gereedschap is uitgeschakeld en stationair draait, naast de ingeschakelde tijdsduur).

## **BELANGRIJKE VEILIGHEIDSVOORSCHRIFTEN**

 **WAARSCHUWING!** Lees vóór het gebruik van dit aanzetstuk alle veiligheidswaarschuwingen en alle instructies. Het niet naleven van de waarschuwingen en instructies kan leiden tot elektrische schokken, brand en/of ernstig letsel.

**Bewaar alle waarschuwingen en instructies voor latere naslag.**

1. **Gebruik dit stofopvangsysteem altijd volgens deze instructies.** Het gebruik van dit systeem voor andere dan de beoogde doeleinden kan leiden tot een gevaarlijke situatie.
2. **Houd kinderen en omstanders op veilige afstand tijdens gebruik van elektrisch gereedschap.** Als u afgeleid zou worden, kunt u de macht over het gereedschap verliezen.
3. **Zorg dat uw werkomgeving schoon is en helder verlicht.** Rommelige en donkere plaatsen verhogen de kans op ongelukken.
4. **Draag altijd oogbescherming en een stofmasker.**

## **VOOR HET GEBRUIK**

### **Aanbrengen en verwijderen van het stofopvangsysteem**

#### **WAARSCHUWING:**

- **Let altijd goed op dat het gereedschap is uitgeschakeld en de accu is verwijderd, alvorens u enige afstelling aan het gereedschap maakt. Vergeten het apparaat uit te schakelen en de accu te verwijderen kan leiden tot ernstige verwondingen, als het apparaat plotseling zou starten.**
- **Voordat u het stofopvangsysteem aanbrengt, dient u te controleren of de bevestigingspunten en het elektrisch gereedschap zelf, vooral de elektrische aansluitingen daarvan, vrij zijn van stof of vuil e.d. Na aanbrengen van het stofopvangsysteem moet u zorgvuldig controleren of het stevig vast zit.**

#### **OPMERKING:**

- Dit stofopvangsysteem is alleen bestemd voor gebruik bij het boren in beton. Gebruik dit systeem nooit wanneer u gaat boren in metaal of hout.
- Dit stofopvangsysteem kan het bij het boren vrijkomend stof grotendeels verwijderen, maar niet al het stof.
- Leeg de stofopvangdoos regelmatig. Als u nalaat de stofopvangdoos regelmatig te legen, kan er overtollig stof vrijkomen.
- Gebruik het stofopvangsysteem niet bij het kernboren of beitelen.

Voor het aanbrengen van het stofopvangsysteem gaat u als volgt te werk. **(Fig. 1)**

1. Houd het elektrisch gereedschap zo vast dat uw vinger(s) de trekkerschakelaar niet raken.
2. Plaats het aansluitvlak van het aanzetstuk tegenover de geleider van het gereedschap en schuif het vast totdat het een dubbele klik geeft.
3. Controleer na aanbrengen van het aanzetstuk op het gereedschap zorgvuldig of het stevig vast zit.

Voor het verwijderen van het stofopvangsysteem gaat u als volgt te werk. **(Fig. 2)**

1. Houd het elektrisch gereedschap zo vast dat uw vinger(s) de trekkerschakelaar niet raken.
2. Druk op de ontgrendelknop van het aanzetstuk en trek dat van het gereedschap los terwijl u de knop ingedrukt houdt.



## BEDIENING



### LET OP:

- Gebruik het gereedschap niet in natte omstandigheden zoals een betonnen oppervlak in de regen e.d.

### Instellen van de lengte van de uitstekende punt

De lengte van de uitstekende punt is passend instelbaar bij de lengte van uw boorhamerkop. (Fig. 3)

1. Houd het elektrisch gereedschap zo vast dat uw vinger(s) de trekkerschakelaar niet raken.
2. LET OP: Wanneer u de slaginstelknop indrukt, wordt het uitschuivende deel losgezet, zodat het tot 100 mm kan uitschuiven, onder druk van een veer. Draag een veiligheidsbril.  
Houd de punt van het aanzetstuk uit de buurt van voorwerpen, met het oog op de bovengenoemde uitschuifafstand, en richt het aanzetstuk nooit op uzelf, omstanders of huisdieren e.d.  
Druk de slaginstelknop in en houd die ingedrukt.

### OPMERKING:

- Voordat u de slaginstelknop indrukt, duwt u eerst het mondstuk naar voren.
3. Druk het elektrisch gereedschap met de boorhamerkop tegen de muur totdat de boorhamerkop de muur raakt.
  4. Laat de slaginstelknop los om die te vergrendelen.

### Instellen van de boordiepte (diepteschaal)

Als de te boren gaten een precieze diepte vereisen, dient u de juiste diepte te bepalen door het voorbereiden van testgaten. (Fig. 4)

1. Houd het elektrisch gereedschap zo vast dat uw vinger(s) de trekkerschakelaar niet raken.
2. Houd de diepteregelknop ingedrukt en schuif daarbij de drager van de diepteregelknop naar de gewenste lengte; laat dan de knop los om die te vergrendelen.  
De afstand (X) tussen de behuizing van het aanzetstuk en de diepteregelknop is gelijk aan de boordiepte.

## Bediening



### LET OP:

- Volg altijd de instructies onder BEDIENING in de gebruiksaanwijzing van uw Makita boorhamer. Als u de gebruiksaanwijzingen niet naleeft, loopt u kans op lichamelijk letsel.



### WAARSCHUWING:

- Volg altijd de nationale voorschriften, bepalingen en wetten voor het werken met materialen die schadelijk kunnen zijn voor de gezondheid.

## Boren

Bij het boren in beton houdt u het gereedschap met beide handen stevig vast, zodanig dat het gehele mondstuk stevig tegen het betonnen oppervlak aan wordt gedrukt. Als een deel van het mondstuk het beton niet raakt, vermindert dat de werking en kan er stof vrijkomen.

### Het stof van het filter afkloppen (Fig. 15)



### LET OP:

- Als u het gereedschap gebruikt met het stofopvangsysteem, zorgt u ervoor dat het filter is bevestigd aan het stofopvangsysteem om inademing van stof te voorkomen.
- Voordat u het stofopvangsysteem gebruikt, controleert u of het filter niet beschadigd is. Als u dit niet doet, kan dat leiden tot inademing van stof.
- Draai de knop op de stofopvangdoos niet terwijl de stofopvangdoos van het stofopvangsysteem af is gehaald. Als u dit toch doet, kan dat leiden tot inademing van stof.
- Schakel het gereedschap altijd uit voordat u de knop op de stofopvangdoos draait. Als u de knop draait terwijl het gereedschap in werking is, kunt u de controle over het gereedschap verliezen.

Door het stof van het filter binnenin de stofopvangdoos af te kloppen, behoudt u de efficiëntie van de stofzuiger en verlaagt u tevens het aantal keren dat u het stof moet weggooien.

Draai de knop op de stofopvangdoos drie keer rond na het verzamelen van 50.000 mm<sup>3</sup> aan stof, of wanneer u de indruk krijgt dat de prestaties van de stofzuiger zijn afgenomen.

### OPMERKING:

- 50.000 mm<sup>3</sup> aan stof komt overeen met het boren van 10 gaten van  $\varnothing 10$  mm en 65 mm diep.

### Uitschakelvertraging

Na het uitschakelen blijft het stofopvangsysteem nog enkele seconden lang doorwerken, om te zorgen dat al het stof in de afzuigleiding in de stofopvangdoos terecht komt.

## Legen van de stofopvangdoos

### OPMERKING:

- Als er te veel stof in de stofopvangdoos zit, kan dat het stofafzuigvermogen sterk verminderen. Daarom dient u de stofopvangdoos regelmatig te legen.

### LET OP:

- Draag een stofmasker wanneer u de stofopvangdoos leegt.
  - Raak het filtergedeelte niet aan wanneer u het reinigt.
  - Gebruik geen borstel en ook geen perslucht om het filterdeel te reinigen. Het gebruik van een borstel of perslucht kan het filter beschadigen.
1. Houd het gereedschap altijd horizontaal voordat u de stofopvangdoos van het aanzetstuk verwijderd. **(Fig. 5)**
  2. Druk op de ontgrendelknop van de stofopvangdoos en kantel die om de onderste as, terwijl u de knop ingedrukt houdt.
  3. Verwijder de stofopvangdoos van het aanzetstuk.
  4. Om de stofopvangdoos te openen, tilt u de hendel ietwat omhoog en dan kantelt u het doorzichtige deel. **(Fig. 6)**
  5. Leeg de stofopvangdoos door er licht tegen te tikken. **(Fig. 7)**  
Let op dat er niet te veel stof in de lucht vrijkomt.
  6. Breng de stofopvangdoos weer op zijn plaats in het aanzetstuk.

## ONDERHOUD

### WAARSCHUWING:

- Zorg er altijd voor dat het gereedschap is uitgeschakeld en de accu is verwijderd, voordat u enige inspectie of onderhoud uitvoert.

### OPMERKING:

- **Gebruik geen water, olie, smeervet of reinigingsmiddelen.**
- Gebruik nooit benzine, wasbenzine, verdunner, alcohol, enz. Dat kan leiden tot vlekken, vervormen of barsten.

### Reinigen van het aanzetstuk

Veeg het aanzetstuk schoon met een droge lap en zo nodig een droge borstel.

Draag bij het reinigen altijd een stofmasker.

### Vervangen van het filter

Controleer het filter regelmatig op schade en als het beschadigd is, vervangt u het dan door een nieuw filter.

Om het filter te vervangen, gaat u als volgt te werk.

1. Druk op de ontgrendelknop van de stofopvangdoos en kantel die om de onderste as, terwijl u de knop ingedrukt houdt. **(Fig. 8)**
2. Verwijder de stofopvangdoos van het aanzetstuk.
3. Wrik het filterdeksel van de stofopvangdoos los door een platte schroevendraaier in de sleuf te steken. **(Fig. 9)**
4. Trek met uw hand het oude filter uit de stofopvangdoos. **(Fig. 10)**
5. Breng een nieuw filter aan op de oorspronkelijke plaats. **(Fig. 11)**
6. Druk het filterdeksel stevig op de stofopvangdoos. **(Fig. 12)**
7. Breng de stofopvangdoos weer op zijn plaats in het aanzetstuk. **(Fig. 13)**

### Vervangen van de afsluitdop (Fig. 14)

Bij werken met een beschadigde of versleten afsluitdop kan de stofafzuiging onvoldoende zijn.

Controleer regelmatig de afsluitdop. Als de afsluitdop versleten of beschadigd is, vervangt u deze als volgt.

1. Verwijder de afsluitdop met de hand van het stofopvangsysteem.
2. Plaats een nieuwe afsluitdop zodanig op het stofopvangsysteem dat de uitstekende nok ervan aan de bovenkant komt.

Om de VEILIGHEID en BETROUWBAARHEID van het gereedschap te handhaven, dienen alle andere reparaties, technisch onderhoud en afstellingen te worden verricht door een erkend Makita servicecentrum, en altijd met gebruikmaking van originele Makita vervangingsonderdelen.

## STORINGEN VERHELPEN

| Storing                    | Mogelijke oorzaak                         | Oplossing                              |
|----------------------------|---|--|
| Plotseling vrijkomend stof | De stofopvangdoos is vol.                 | Leeg de stofopvangdoos.                |
|                            | De afsluitdop is beschadigd of versleten. | Vervang de afsluitdop door een nieuwe. |

## OPTIONELE ACCESSOIRES

### LET OP:

- Deze accessoires en hulpstukken zijn aanbevolen voor gebruik met uw Makita stofopvangsysteem zoals voorgescreven in deze handleiding. Het gebruik van enige andere accessoires of hulpstukken kan gevaar voor lichamelijke letsel opleveren. Gebruik accessoires en hulpstukken alleen voor hun voorgeschreven toepassing.

Als u advies nodig hebt omtrent deze accessoires, raadpleegt u dan uw plaatselijke Makita servicecentrum.

- Stofopvangdoos (met filter)
- Filter

### OPMERKING:

- Sommige van de onderdelen in deze lijst kunnen bijgeleverd zijn als standaard-accessoires. Deze accessoires kunnen per land verschillend zijn.

**Explicación de los dibujos**

|   |   |                    |
|---|---|--------------------|
| 1 Interruptor de gatillo                      | 7 Distancia (X) igual a la profundidad de perforación | 13 Tapa de sellado |
| 2 Accesorio (Sistema de recolección de polvo) | 8 Botón de liberación del recipiente para polvo       | 14 Boquilla        |
| 3 Botón de liberación                         | 9 Recipiente para polvo                               | 15 Dial            |
| 4 Botón de ajuste de carrera                  | 10 Cubierta del filtro                                |                    |
| 5 Botón de tope de profundidad                | 11 Hendidura  |                    |
| 6 Carro del botón de tope de profundidad      | 12 Filtro   |                    |

**Especificaciones**

| Modelo                                  | DX06      | DX07   |
|---|-----------|--------|
| Rendimiento de succión                  | 350 l/min |        |
| Peso neto                               | 1,5 kg    | 1,5 kg |
| Tensión nominal                         | 18 V      |        |
| Carrera de operación                    | 96 mm MAX |        |
| Broca de taladro de percusión apropiada | 24 mm MAX |        |

- Debido a nuestro continuado programa de investigación y desarrollo, las especificaciones indicadas aquí están sujetas a cambio sin previo aviso.
- Las especificaciones y el cartucho de batería pueden variar de un país a otro.
- Peso, con el cartucho de batería, de acuerdo con el procedimiento EPTA 01/2003

**Símbolos**

A continuación se muestran los símbolos utilizados para el equipo. Asegúrese de que entiende sus significados antes de utilizar la herramienta.



- Preste cuidado y atención especiales.



- Lea el manual de instrucciones.



- Sólo para países de la Unión Europea  
 ¡No tire aparatos eléctricos ni baterías a la basura con los residuos domésticos!  
 En conformidad con las Directivas Europeas, sobre residuos de equipos eléctricos y electrónicos y sobre baterías y acumuladores y residuos de baterías y de acumuladores y su aplicación de acuerdo con la legislación nacional, los aparatos eléctricos y las baterías cuya vida útil haya llegado a su fin se deberán recoger por separado y trasladar a una planta de reciclaje que cumpla con las exigencias ecológicas.

**Ruido**

El nivel de ruido A-ponderado típico determinado de acuerdo con la norma EN60745:

**Modelo DX06**

Nivel de presión del sonido ( $L_{pA}$ ): 91 dB (A)  
 Nivel de potencia del sonido ( $L_{WA}$ ): 102 dB (A)  
 Error (K): 3 dB (A)

**Modelo DX07**

Nivel de presión del sonido ( $L_{pA}$ ): 90 dB (A)  
 Nivel de potencia del sonido ( $L_{WA}$ ): 101 dB (A)  
 Error (K): 3 dB (A)

**Póngase protección para los oídos**

## Vibración

El valor total de la vibración (suma de vectores triaxiales) determinado de acuerdo con la norma EN60745:

### Modelo DX06, DX07

Modo de trabajo: perforación con percusión en cemento

Emisión de vibración ( $a_{n, HD}$ ): 13,0 m/s<sup>2</sup>


Error (K): 1,5 m/s<sup>2</sup>

- El valor de emisión de vibración declarado ha sido medido de acuerdo con el método de prueba estándar y se puede utilizar para comparar una herramienta con otra.
- El valor de emisión de vibración declarado también se puede utilizar en una valoración preliminar de exposición.

### ADVERTENCIA:

- La emisión de vibración durante la utilización real de la herramienta eléctrica puede variar del valor de emisión declarado dependiendo de las formas en las que la herramienta sea utilizada.
- Asegúrese de identificar medidas de seguridad para proteger al operario que estén basadas en una estimación de la exposición en las condiciones reales de utilización (teniendo en cuenta todas las partes del ciclo operativo tal como las veces cuando la herramienta está apagada y cuando está funcionando en vacío además del tiempo de gatillo).

## INSTRUCCIONES DE SEGURIDAD IMPORTANTES

 **¡ADVERTENCIA!** Lea todas las advertencias de seguridad y todas las instrucciones antes de utilizar el accesorio. Si no sigue las advertencias e instrucciones podrá ocasionar una descarga eléctrica, un incendio y/o heridas graves.

**Guarde todas las advertencias e instrucciones para futuras referencias.**

1. **Utilice el accesorio de acuerdo con estas instrucciones.** La utilización del accesorio para operaciones distintas de las previstas podrá ponerle en una situación peligrosa.
2. **Mantenga a los niños y transeúntes alejados mientras utiliza una herramienta eléctrica.** Las distracciones le pueden hacer perder el control.
3. **Mantenga el área de trabajo limpia y bien iluminada.** Las áreas de trabajo atestadas u oscuras son una invitación a accidentes.
4. **Póngase siempre protección para los ojos y respiratoria.**

## ANTES DE UTILIZAR

### Instalación o desmontaje del sistema de recolección de polvo

### ADVERTENCIA:

- **Asegúrese siempre de que la herramienta esté apagada y el cartucho de batería extraído antes de realizar cualquier trabajo en la herramienta. Si no apaga la herramienta y desmonta el cartucho de batería podrá sufrir graves heridas personales a causa de un arranque accidental.**
- **Antes de instalar el sistema de recolección de polvo, asegúrese de que los puntos de fijación y la propia herramienta eléctrica, particularmente la interfaz eléctrica de la herramienta eléctrica, estén libres de polvo y materia extraña. Después de instalar el sistema de recolección de polvo, asegúrese también de que está instalado firmemente.**

### NOTA:

- Este sistema de recolección de polvo ha sido previsto para ser utilizado cuando se perfora en cemento solamente. No utilice nunca este sistema cuando perfora en metal o madera.
- Este sistema de recolección de polvo recoge un porcentaje significativo del polvo producido en el trabajo pero no todo el polvo.
- Vacíe el recipiente para polvo regularmente. Si no vacía el recipiente para polvo regularmente es posible que salga polvo.
- No utilice el sistema de recolección de polvo en operaciones de perforación con corona o cincelado.

Para instalar el sistema de recolección de polvo, siga el procedimiento de abajo. **(Fig. 1)**

1. Sujete la herramienta eléctrica de forma que el dedo(s) no apriete el interruptor de gatillo.
2. Alinee la interfaz del accesorio con la guía de la herramienta eléctrica y deslícela en la herramienta hasta que se bloquee con un sonido de chasquido doble.
3. Después de instalar el accesorio en la herramienta eléctrica, asegúrese de que está sujetado debidamente.

Para desmontar el sistema de recolección de polvo, siga el procedimiento de abajo. **(Fig. 2)**

1. Sujete la herramienta eléctrica de forma que el dedo(s) no apriete el interruptor de gatillo.
2. Presione el botón de liberación del accesorio y con el botón presionado retírelo de la herramienta eléctrica.

## OPERACIÓN

### PRECAUCIÓN:

- No utilice la herramienta en condiciones húmedas tales como para trabajos en superficies de cemento y similares.

### Ajuste de la longitud de protuberancia de la punta

La protuberancia de la punta se puede ajustar de acuerdo con la longitud de su broca de taladro de percusión. (Fig. 3)

1. Sujete la herramienta eléctrica de forma que el dedo(s) no apriete el interruptor de gatillo.
2. PRECAUCIÓN: Cuando se presiona el botón de ajuste de carrera, se libera la sección telescópica y después ésta puede saltar hacia afuera hasta 100 mm debido a la presión del resorte. Póngase gafas de seguridad.

Mantenga la punta de la barra del accesorio alejada de cualquier objeto teniendo en cuenta la distancia de salto hacia fuera y nunca apunte el accesorio hacia usted, hacia un transeúnte o hacia animales.

Presione el botón de ajuste de carrera y manténgalo presionado.

### NOTA:

- Antes de comenzar a presionar el botón de ajuste de carrera, empuje la boquilla hacia delante.
- 3. Presione la herramienta eléctrica con la broca de taladro de percusión instalada contra la pared hasta que la punta de la broca toque la pared.
- 4. Libere el botón de ajuste de carrera para bloquearlo.

### Ajuste de la profundidad de perforación (tope de profundidad)

Si se requiere perforar los agujeros a una profundidad exacta, será necesario determinar la profundidad correcta perforando agujeros de prueba. (Fig. 4)

1. Sujete la herramienta eléctrica de forma que el dedo(s) no apriete el interruptor de gatillo.
2. Presione el botón de tope de profundidad y con el botón presionado deslice el carro del botón de bloqueo hasta la longitud deseada y libérela.

La distancia (X) entre el alojamiento del accesorio y el botón de tope de profundidad es igual a la profundidad de perforación.

## Operación

### PRECAUCIÓN:

- Siga siempre las instrucciones en OPERACIÓN del manual de instrucciones para los taladros de percusión de Makita. Si no observa las indicaciones del manual de instrucciones podrá sufrir heridas personales.

### ADVERTENCIA:

- Siga siempre las leyes, reglamentos y ordenanzas nacionales relacionados con el trabajo con materiales peligrosos para la salud.

## Perforación

Cuando perforo en cemento, sujete la herramienta eléctrica firmemente con ambas manos de manera que toda la parte superior de la boquilla se mantenga en estrecho contacto con la superficie del cemento. Cualquier parte de la boquilla que quede separada de la superficie de cemento podrá ocasionar una deficiente recogida de polvo.

### Sacudir el polvo del filtro (Fig. 15)

### PRECAUCIÓN:

- Cuando utilice la herramienta con el sistema de recolección de polvo, asegúrese de colocar el filtro en el sistema de recolección de polvo para evitar inhalar el polvo.
- Antes de utilizar el sistema de recolección de polvo, compruebe que el filtro no esté dañado. En caso contrario, es posible que inhale polvo.
- No gire el dial del recipiente para polvo mientras el recipiente para polvo está retirado del sistema de recolección de polvo. Si lo hace podrá ocasionar inhalación de polvo.
- Apague siempre la herramienta cuando vaya a girar el dial del recipiente para polvo. Si gira el dial mientras la herramienta está en marcha podrá resultar en la pérdida del control de la herramienta.

Al sacudir el polvo del filtro de dentro del recipiente para polvo, puede mantener la eficacia de aspiración y también reducir el número de veces que hay que desechar el polvo.

Gire el dial del recipiente para polvo tres veces después de la recogida de cada 50.000 mm<sup>3</sup> de polvo o cuando sienta que el rendimiento de aspiración ha disminuido.

### NOTA:

- 50.000 mm<sup>3</sup> de polvo equivale a perforar 10 agujeros de  $\varnothing$ 10 mm y 65 mm de profundidad.

### Función de retardo del apagado

Después de apagar la herramienta, el sistema de recolección de polvo seguirá funcionando durante unos cuantos segundos más para recoger el polvo restante en el conducto del recipiente para polvo.

## Vaciado del recipiente para polvo

### NOTA:

- Un exceso de polvo en el recipiente para polvo resultará en una considerable pérdida de potencia de la extracción de polvo. Por consiguiente, limpie el recipiente para polvo regularmente.

### PRECAUCIÓN:

- Póngase protección respiratoria cuando vacíe el recipiente para polvo.
  - No toque la sección del filtro cuando lo limpie.
  - No utilice un cepillo ni un soplador de aire para limpiar la sección del filtro. La utilización de un cepillo o aire comprimido puede dañar el filtro.
1. Antes de desmontar el recipiente para polvo del accesorio, sujete la herramienta eléctrica horizontalmente. **(Fig. 5)**
  2. Presione el botón de liberación del recipiente para polvo y con el botón presionado pivótelos en el eje del lado inferior.
  3. Desmonte el recipiente para polvo del accesorio.
  4. Para abrir el recipiente para polvo, suba la palanca ligeramente y después pivote la sección transparente. **(Fig. 6)**
  5. Vacíe el recipiente para polvo golpeándolo ligeramente. **(Fig. 7)**  
Tenga cuidado de no dejar salir demasiado polvo al aire.
  6. Vuelva a montar el recipiente para polvo en su sitio en el accesorio.

## MANTENIMIENTO

### ADVERTENCIA:

- Asegúrese siempre de que la herramienta está apagada y el cartucho de batería desmontado antes de intentar realizar una inspección o mantenimiento.

### NOTA:

- **No utilice agua, aceite, grasa, detergente ni productos de limpieza.**
- No utilice nunca gasolina, bencina, disolvente, alcohol o similares. Podría resultar en descolocación, deformación o grietas.

### Limpieza del accesorio

Limpie el accesorio utilizando solamente un trapo seco y un cepillo seco. Póngase protección respiratoria cuando haga la limpieza.

### Reemplazo del filtro

Compruebe el filtro regularmente para ver si está dañado y si está dañado, reemplace el filtro viejo con uno nuevo. Para reemplazar el filtro, siga el procedimiento de abajo.

1. Presione el botón de liberación del recipiente para polvo y con el botón presionado pivótelos en el eje del lado inferior. **(Fig. 8)**
2. Desmonte el recipiente para polvo del accesorio.
3. Haga palanca en la cubierta del filtro del recipiente para polvo utilizando un destornillador de punta plana a insertar en la hendidura. **(Fig. 9)**
4. Extraiga el filtro viejo del recipiente para polvo con la mano. **(Fig. 10)**
5. Ponga un filtro nuevo en la posición original. **(Fig. 11)**
6. Encaje la cubierta del filtro en el recipiente para polvo. **(Fig. 12)**
7. Vuelva a montar el recipiente para polvo en su sitio en el accesorio. **(Fig. 13)**

### Reemplazo de la tapa de sellado (Fig. 14)

La utilización de una tapa de sellado desgastada o dañada podrá ocasionar una deficiente recogida de polvo. Compruebe la tapa de sellado regularmente. Cuando la tapa de sellado esté desgastada o dañada, reemplácela de la forma siguiente.

1. Desmonte la tapa de sellado del sistema de recolección de polvo con la mano.
2. Ponga una tapa de sellado nueva en el sistema de recolección de polvo de forma que la protuberancia en ella quede posicionada en el lado superior.

Para mantener la SEGURIDAD y FIABILIDAD del producto, cualquier otro mantenimiento o ajuste deberán ser realizados en Centros de servicio autorizados por Makita, empleando siempre repuestos Makita.

## SOLUCIÓN DE PROBLEMAS

| Fallo                    | Causa posible                                | Remedio                         |
|--------------------------|--|---------------------------------|
| Emisión de polvo inusual | El recipiente para polvo está lleno.         | Vacíe el recipiente para polvo. |
|                          | La tapa de sellado está desgastada o dañada. | Reemplace the tapa de sellado.  |

## ACCESORIOS OPCIONALES

### PRECAUCIÓN:

- Estos accesorios o acoplamientos están recomendados para utilizar con el sistema de recolección de polvo de Makita especificado en este manual. La utilización de cualquier otro accesorio o acoplamiento podrá suponer un riesgo de sufrir heridas personales. Utilice los accesorios o acoplamientos solamente para el propósito que han sido diseñados.

Si necesita cualquier tipo de asistencia para obtener más detalles en relación con estos accesorios, pregunte al centro de servicio Makita local.

- Recipiente para polvo (con filtro)
- Filtro

### NOTA:

- Algunos elementos de la lista podrán estar incluidos en el paquete de la herramienta como accesorios estándar. Pueden variar de un país a otro.



**Explicação da vista geral**

|                                      |  |                      |
|--------------------------------------|--|----------------------|
| 1 Gatilho do interruptor             | 6 Carreto do botão de calibre de profundidade      | 10 Tampa do filtro   |
| 2 Aparelho (sistema de coleta de pó) | 7 Distância (X) igual à profundidade de perfuração | 11 Ranhura           |
| 3 Botão de desbloqueamento           | 8 Botão de desbloqueamento do caixa do pó          | 12 Filtro            |
| 4 Botão de regulação do curso        | 9 Caixa do pó                                      | 13 Tampão de vedação |
| 5 Botão de calibre de profundidade   |  | 14 Bocal             |
|                                      |  | 15 Indicador         |

**Especificações**

| Modelo                               | DX06      | DX07   |
|--------------------------------------|-----------|--------|
| Desempenho de aspiração              | 350 l/min |        |
| Peso líquido                         | 1,5 kg    | 1,5 kg |
| Tensão nominal                       | 18 V      |        |
| Curso operacional                    | 96 mm MÁX |        |
| Broca do martelo perfurador adequada | 24 mm MÁX |        |

- Devido ao nosso programa continuado de investigação e desenvolvimento, as especificações aqui apresentadas estão sujeitas a alteração sem aviso prévio.
- As especificações e cartucho da bateria podem diferir de país para país.
- Peso, com cartucho da bateria, de acordo com o Procedimento EPTA 01/2003

**Símbolos**

O que se segue mostra os símbolos usados no equipamento. Certifique-se de que compreende o seu significado antes da utilização.



- Tome particular cuidado e atenção.



- Leia o manual de instruções.



- Apenas para países da UE  
Não elimine os equipamentos elétricos ou o pacote da bateria juntamente com os materiais de resíduos domésticos!  
Em conformidade com as Diretivas Europeias referentes à Eliminação dos Equipamentos Elétricos e Eletrónicos e Baterias e Acumuladores e Eliminação de Baterias e Acumuladores e à sua implementação de acordo com as leis nacionais, os equipamentos elétricos e os pacotes de baterias que tenham atingido o fim da sua vida útil de utilização têm de ser recolhidos separadamente e entregues em instalações de reciclagem ambientalmente compatíveis.

**Ruído**

O nível de ruído ponderado A determinado de acordo com a norma EN60745:

**Modelo DX06**

Nível da pressão do som ( $L_{pA}$ ): 91 dB (A)  
Nível da potência do som ( $L_{WA}$ ): 102 dB (A)  
Incerteza (K): 3 dB (A)

**Modelo DX07**

Nível da pressão do som ( $L_{pA}$ ): 90 dB (A)  
Nível da potência do som ( $L_{WA}$ ): 101 dB (A)  
Incerteza (K): 3 dB (A)

**Use protecção para os ouvidos**

## Vibração

O valor total da vibração (soma vectorial triaxial) determinado de acordo com a norma EN60745:

### Modelo DX06, DX07

Modo de trabalho: perfuração com martelo em betão

Emissão de vibrações ( $a_{h,HD}$ ): 13,0 m/s<sup>2</sup>

Incerteza (K): 1,5 m/s<sup>2</sup>

- O valor declarado da emissão de vibrações foi medido em conformidade com o método de teste padrão e pode ser usado para comparar uma ferramenta com outra.
- O valor declarado da emissão de vibrações pode também ser usado numa avaliação preliminar da exposição.

### ⚠ ADVERTÊNCIA:

- A emissão de vibrações durante a utilização efectiva da ferramenta eléctrica pode diferir do valor de emissão declarado dependendo das formas como é utilizada a ferramenta.
- Certifique-se de que identifica medidas de segurança para proteger o operador, que se baseiam numa estimativa da exposição nas actuais condições de utilização (tomando em consideração todas as partes do ciclo operacional tais como momentos em que a ferramenta está desligada e quando estiver a funcionar ao ralenti para além do momento de disparo).

## INSTRUÇÕES DE SEGURANÇA IMPORTANTES

⚠ **ADVERTÊNCIA! Leia todas as advertências de segurança e todas as instruções antes de operar o aparelho.** O desrespeito pelas advertências e instruções pode resultar em choque eléctrico, incêndio e/ou lesão grave.

**Guarde todas as advertências e instruções para futura referência.**

1. **Use o aparelho em conformidade com estas instruções.** O uso do aparelho em operações diferentes daquelas pretendidas pode resultar numa situação perigosa.
2. **Mantenha as crianças e pessoas presentes afastadas enquanto opera uma ferramenta eléctrica.** As distrações podem dar origem à perda de controlo.
3. **Mantenha a área de trabalho limpa e bem iluminada.** As áreas desarrumadas ou escuras dão origem a acidentes.
4. **Use sempre protecção para os olhos e respiratória.**

## ANTES DA UTILIZAÇÃO

Instalação ou remoção do sistema de coleta de pó

### ⚠ ADVERTÊNCIA:

- **Certifique-se sempre de que a ferramenta está desligada e o cartucho da bateria removido antes de executar qualquer trabalho na ferramenta. Ao não desligar e remover o cartucho da bateria pode resultar em lesão pessoal grave devido ao arranque accidental.**
- **Antes de instalar o sistema de coleta de pó, certifique-se de que os pontos do aparelho e a própria ferramenta eléctrica, em particular a interface eléctrica desta, estão livres de pó e matérias estranhas. Após instalar o sistema de coleta de pó, certifique-se também que está instalado em segurança.**

### NOTA:

- Este sistema de coleta de pó destina-se a ser utilizado apenas na perfuração de betão. Nunca use este sistema quando perfurar metal ou madeira.
- Este sistema de coleta de pó recolhe uma percentagem significativa de pó produzido no trabalho, mas não todo.
- Esvazie regularmente a caixa do pó. O não esvaziamento regular da caixa do pó pode provocar a libertação de pó.
- Não use o sistema de coleta de pó em perfuração caroteadora ou aplicações de cinzelagem.

Para instalar o sistema de coleta de pó, siga o procedimento abaixo. **(Fig. 1)**

1. Segure na ferramenta eléctrica de modo a que o(s) dedo(s) não carregue(m) no gatilho do interruptor.
2. Alinhe a interface do aparelho com o guia da ferramenta eléctrica e deslize-a na ferramenta até bloquear com um som de duplo clique.
3. Após instalar o aparelho na ferramenta eléctrica, certifique-se de que está devidamente seguro.

Para remover o sistema de coleta de pó, siga o procedimento abaixo. **(Fig. 2)**

1. Segure na ferramenta eléctrica de modo a que o(s) dedo(s) não carregue(m) no gatilho do interruptor.
2. Carregue no botão de desbloqueamento no aparelho e com o botão premido retire-o da ferramenta eléctrica.

## OPERAÇÃO

### PRECAUÇÃO:

- Não use a ferramenta em condições de humidade tal como trabalho em superfície de betão e situações análogas.

### Regular o comprimento da ponta saliente

A saliência da ponta é regulável de acordo com o comprimento da broca do seu martelo perfurador. (Fig. 3)

1. Segure na ferramenta eléctrica de modo a que o(s) dedo(s) não carregue(m) no gatilho do interruptor.
2. PRECAUÇÃO: Quando se carregar no botão de regulação do curso, a secção telescópica é desbloqueada e depois pode fazer ressalto até 100 mm sob pressão da mola. Use óculos de protecção.  
Mantenha a ponta da barra do aparelho afastada de quaisquer objectos considerando a distância de ressalto acima e nunca apontar o aparelho para si, uma pessoa presente ou animais.  
Carregue no botão de regulação do curso e mantenha-o premido.

### NOTA:

- Antes de começar a carregar no botão de calibre de profundidade, empurre o bocal.
- 3. Carregue na ferramenta eléctrica com a broca do martelo perfurador instalada contra a parede até a ponta da broca tocar na parede.
- 4. Solte o botão de regulação do curso para o bloquear.

### Configurar a profundidade de perfuração (calibre de profundidade)

Se os orifícios necessitarem de ser perfurados até uma profundidade correcta tem de ser determinada por orifícios de teste de perfuração. (Fig. 4)

1. Segure na ferramenta eléctrica de modo a que o(s) dedo(s) não carregue(m) no gatilho do interruptor.
2. Carregue no botão de calibre de profundidade e com o botão premido deslize o carro do botão de bloqueamento e solte-o.  
A distância (X) entre a caixa do aparelho e o botão de calibre de profundidade é igual à profundidade de perfuração.

### Operação

#### PRECAUÇÃO:

- Siga sempre as instruções de OPERAÇÃO no manual de instruções dos martelos perfuradores Makita. O desrespeito pelo manual de instruções pode provocar acidentes pessoais.

#### ADVERTÊNCIA:

- Siga sempre as leis, regulamentos e decretos nacionais que determinam os materiais perigosos para a saúde.

### Perfuração

Quando perfurar betão, segure na ferramenta eléctrica firmemente com as duas mãos para que toda a cabeça do bocal se mantenha em estreito contacto com a superfície do betão. Qualquer parte do bocal afastada da superfície do betão pode originar uma má recolha do pó.

### Bater no filtro para sacudir o pó (Fig. 15)

#### PRECAUÇÃO:

- Quando utilizar a ferramenta com o sistema de coleta de pó, certifique-se de que coloca o filtro no sistema de coleta de pó para evitar a inalação de pó.
- Antes de utilizar o sistema de coleta de pó, verifique se o filtro não está danificado. Caso não o faça, pode causar a inalação de pó.
- Não rode o indicador na caixa do pó enquanto esta é removida do sistema de coleta de pó. Se o fizer, pode causar a inalação de pó.
- Desligue sempre a ferramenta quando rodar o indicador na caixa do pó. Rodar o indicador enquanto a ferramenta estiver a funcionar pode resultar na perda de controlo da ferramenta.

Ao bater no filtro para sacudir o pó no interior da caixa do pó, pode manter a eficiência de aspiração e também reduzir o número de vezes que elimina o pó.

Rode o indicador na caixa do pó três vezes após recolher cada 50.000 mm<sup>3</sup> de pó ou quando detetar a redução do desempenho de aspiração.

### NOTA:

- 50.000 mm<sup>3</sup> de pó equivale a perfurar 10 orifícios de  $\varnothing 10$  mm e 65 mm de profundidade.

### Função de atraso de corte

Após desligar, o sistema de coleta de pó opera durante mais alguns segundos para recolher o pó restante no tubo da caixa do pó.

## Esvaziar a caixa do pó

### NOTA:

- Demasiado pó na caixa do pó resulta numa perda considerável de potência de extracção de pó. Consequentemente, limpe regularmente a caixa do pó.

### PRECAUÇÃO:

- Use protecção respiratória quando esvaziar a caixa do pó.
  - Não toque na secção do filtro quando o limpar.
  - Não use uma escova ou pulverizador para limpar a secção do filtro. O uso de uma escova ou ar comprimido pode danificar o filtro.
1. Antes de remover a caixa do pó do aparelho, segure na ferramenta eléctrica horizontalmente. **(Fig. 5)**
  2. Carregue no botão de desbloqueamento da caixa do pó e com o botão premido rode-o sobre o lado inferior do eixo.
  3. Remova a caixa do pó do aparelho.
  4. Para abrir a caixa do pó, levante ligeiramente a alavanca e depois rode a secção transparente. **(Fig. 6)**
  5. Esvazie a caixa do pó batendo ligeiramente nele. **(Fig. 7)**  
Tenha cuidado para não deixar sair muito pó para o ar.
  6. Volte a montar a caixa do pó no devido lugar no aparelho.

## MANUTENÇÃO

### ADVERTÊNCIA:

- Certifique-se sempre que a ferramenta está desligada e o cartucho da bateria removido antes de tentar efectuar a inspecção ou manutenção.

### NOTA:

- **Não use água, óleo, massa lubrificante, detergente nem agentes de limpeza.**
- Nunca use gasolina, benzina, diluente, álcool ou algo semelhante. Pode resultar em descoloração, deformação ou fissuras.

### Limpeza do aparelho

Limpe o aparelho usando apenas um pano e uma escova secos.

Use protecção respiratória quando limpar.

### Substituição do filtro

Verifique regularmente o filtro para ver se apresenta danos e se estiver danificado, substitua o filtro antigo por um novo.

Para substituir o filtro, siga o procedimento abaixo.

1. Carregue no botão de desbloqueamento da caixa do pó e com o botão premido rode-o sobre o lado inferior do eixo. **(Fig. 8)**
2. Remova a caixa do pó do aparelho.
3. Levante a tampa do filtro na caixa do pó usando uma chave de fendas simples para ser inserida na ranhura. **(Fig. 9)**
4. Retire manualmente da caixa do pó o filtro antigo. **(Fig. 10)**
5. Coloque um novo filtro na posição original. **(Fig. 11)**
6. Feche a tampa do filtro na caixa do pó. **(Fig. 12)**
7. Volte a montar a caixa do pó no devido lugar no aparelho. **(Fig. 13)**

### Substituição do tampão de vedação (Fig. 14)

O uso de um tampão de vedação gasto ou danificado pode provocar uma má recolha de pó.

Verifique regularmente o tampão de vedação. Quando o tampão de vedação estiver gasto ou danificado, substitua-o da seguinte forma.

1. Remova manualmente o tampão de vedação do sistema de coleta de pó.
2. Coloque um tampão de vedação novo no sistema de coleta de pó para que a saliência nele seja posicionada no lado superior.

Para manter a SEGURANÇA e FIABILIDADE do produto, qualquer outra manutenção ou ajustamento deve ser executado pelos Centros de Assistência Autorizados da Makita, usando sempre peças de substituição da Makita.

## RESOLUÇÃO DE PROBLEMAS

| Falha                  | Possível causa                                | Solução                        |
|------------------------|---|--------------------------------|
| Emissão invulgar de pó | A caixa do pó está cheio.                     | Esvaziar a caixa do pó.        |
|                        | O tampão de vedação está gasto ou danificado. | Substitua o tampão de vedação. |

## ACESSÓRIOS OPCIONAIS

### PRECAUÇÃO:

- Estes acessórios ou aparelhos são recomendados para usar com o seu sistema de coleta de pó Makita especificado neste manual. A utilização de quaisquer outros acessórios ou aparelhos pode apresentar um risco de ferimento às pessoas. Use somente o acessório ou aparelho para o fim assinalado.

Se precisar de alguma assistência para mais detalhes relativos a estes acessórios, contacte o seu Centro de Assistência Makita local.

- Caixa do pó (com filtro)
- Filtro

### NOTA:

- Alguns itens da lista podem estar incluídos na embalagem da ferramenta como acessórios padrão. Eles podem variar de país para país.

**Forklaring af den generelle oversigt**

|                       |                                   |                  |
|-----------------------|-----------------------------------|------------------|
| 1 Afbryderkontakt     | 6 Dybdemålerknapslæde             | 12 Filter        |
| 2 Tilbehør            | 7 Afstand (X) lig med boreddybden | 13 Tætningshætte |
| (støvopsamlingsystem) | 8 Udløserknop til støvbakke       | 14 Mundstykke    |
| 3 Udløserknop         | 9 Støvbakke                       | 15 Drejeknap     |
| 4 Slagjusteringsknap  | 10 Filterdæksel                   |                  |
| 5 Dybdemålerknap      | 11 Sprække                        |                  |

**Specifikationer**

| Model           | DX06        | DX07   |
|-----------------|-------------|--------|
| Sugeydelse      | 350 l/min   |        |
| Nettovægt       | 1,5 kg      | 1,5 kg |
| Mærkespænding   | 18 V        |        |
| Driftsslæg      | 96 mm MAKS. |        |
| Egnet hammerbor | 24 mm MAKS. |        |

- På grund af vores fortløbende forsknings- og udviklingsprogram, kan nærværende specifikationer blive ændret uden varsel.
- Specifikationer og akku kan være forskellige fra land til land.
- Vægt, inklusive akku, i overensstemmelse med EPTA-Procedure 01/2003

**Symboler**

I det følgende vises de symboler, som anvendes til udstyret. Vær sikker på, at du forstår deres betydning inden brugen.



- Vær særlig forsigtig og udvis agtpågivenhed.



- Læs brugervejledningen.



- Kun for EU-lande  
Bortskaf ikke elektrisk udstyr eller akkuer sammen med almindeligt husholdningsaffald!  
I henhold til de europæiske direktiver for udtjente elektrisk og elektronisk udstyr og akkuer og akkumulatore samt udtjente akkuer og akkumulatore og iværksættelsen af bortskaffelsen i henhold til nationale love, skal elektrisk udstyr og akkuer samt akku-enheder, som er udtjente, indsamles separat og returneres til en miljømæssigt kompatibel genbrugsfacilitet.

**Støj**

Det følgende A-vejede støjniveau bestemt i henhold til EN60745:

**Model DX06**

Lydtryksniveau ( $L_{pA}$ ): 91 dB (A)  
Lydstyrkeniveau ( $L_{WA}$ ): 102 dB (A)  
Usikkerhed (K): 3 dB (A)

**Model DX07**

Lydtryksniveau ( $L_{pA}$ ): 90 dB (A)  
Lydstyrkeniveau ( $L_{WA}$ ): 101 dB (A)  
Usikkerhed (K): 3 dB (A)

**Brug høreværn**

ENG900-1

**Vibration**

Vibrationens totalværdi (triaksial vektorsum) bestemt i henhold til EN60745:

**Model DX06, DX07**


Driftsfunktion: hammerboring i beton  
Vibrationsemission ( $a_{h,HD}$ ): 13,0 m/s<sup>2</sup>  
Usikkerhed (K): 1,5 m/s<sup>2</sup>

- Den erklærede vibrationsemissionsværdi er blevet målt i henhold til standardtestmetoden og kan anvendes til at sammenligne en maskine med en anden.
- Den erklærede vibrationsemissionsværdi kan også anvendes i en preliminær fastsættelse af eksponering.

### ADVARSEL:

- Vibrationsemissionen under den faktiske brug af maskinen kan afvige fra den erklærede emissionsværdi, afhængigt af den måde, hvorpå maskinen anvendes.
- Sørg for at identificere sikkerhedsforanstaltningerne til beskyttelse af operatøren, som er baseret på en estimering af eksponeringen under de faktiske brugsforhold (med henblik på alle dele af brugscyklen, som f.eks. de gange, hvor maskinen er afbrudt og når den kører i tomgang i tilgift til triggertiden).

## VIGTIGE SIKKERHEDSINSTRUKTIONER

 **ADVARSEL! Læs alle sikkerhedsadvarslerne og alle instruktionerne, inden tilbehøret tages i brug.** Forsømmelse af at følge sikkerhedsadvarslerne og instruktionerne kan føre til elektriske stød, brand og/eller alvorlig tilskadekomst.

**Gem alle advarsler og instruktioner til fremtidig konsultation.**

1. **Anvend tilbehøret som anvist i disse instruktioner.** Anvendelse af tilbehøret til andre formål end de beregnede kan føre til farlige situationer.
2. **Hold børn og omkringstående på god afstand, mens maskinen anvendes.** Distractioner kan medføre, at herredømmet over maskinen mistes.
3. **Hold arbejdsområdet rent og godt oplyst.** Uordentlige eller mørke områder kan medføre til ulykker.
4. **Brug altid øjenbeskyttelse og støvmaske.**

## FØR BRUG

### Montering eller afmontering af støvopsamlingssystem

#### ADVARSEL:

- **Sørg altid for, at maskinen er afbrudt og at akkuen er fjernet, inden der udføres noget arbejde på maskinen.** Forsømmelse af at afbryde maskinen og fjerne akkuen kan føre til alvorlig personskade, forårsaget af utilsigtet start af maskinen.
- **Inden støvopsamlingssystemet installeres, skal man kontrollere, at tilslutningspunkterne og selve maskinen, specielt den elektriske grænseflade på maskinen, er fri for støv og fremmedlegemer.** Kontroller ligeledes, efter at støvopsamlingssystemet er installeret, at det er sikkert installeret.

#### BEMÆRK:

- Dette støvopsamlingssystem er kun beregnet til at anvendes, når der bores i beton. Anvend aldrig dette system, når der bores i metal eller træ.
- Dette støvopsamlingssystem opsamler en betydelig procentdel af det støv, der frembringes under arbejdet, men ikke det hele.
- Tøm støvbakken med jævne mellemrum. Forsømmelse af at tømme støvbakken med jævne mellemrum kan bevirke, at der kommer støv ud.
- Anvend ikke støvopsamlingssystemet ved kerneboring eller mejselarbejder.

Følg nedenstående procedure, når støvopsamlingssystemet installeres. (Fig. 1)

1. Hold maskinen således, at fingeren (fingrene) ikke trykker på afbryderen.
2. Sæt tilbehørets grænseflade ud for maskinens styr, og skyd den på maskinen, så den låses fast med en dobbelt kliklyd.
3. Kontroller, at tilbehøret sidder ordentligt fast, når det er sat på maskinen.

Støvopsamlingssystemet fjernes ved at man følger proceduren herunder. (Fig. 2)

1. Hold maskinen således, at fingeren (fingrene) ikke trykker på afbryderen.
2. Tryk på udløserknappen på tilbehøret og træk det af maskinen med knappen trykket ind.

## ANVENDELSE

### FORSIGTIG:

- **Anvend ikke maskinen i våde omgivelser, som f.eks. arbejde på betonflader og lignende.**

### Indstilling af længden af spidsens fremspring

Spidsens fremspring er justérbar, alt efter hammerens borlængde. (Fig. 3)

1. Hold maskinen således, at fingeren (fingrene) ikke trykker på afbryderen.
2. **FORSIGTIG:** Når slagjusteringsknappen trykkes ind, udløses den teleskopiske sektion, og den kan springe 100 mm ud under fjedertrykket. Brug beskyttelsesbriller.  
Hold stangspidsen på tilbehøret borte fra alle genstande, med ovennævnte udspringsafstand in mente, og ret aldrig tilbehøret mod dig selv, omkringstående eller dyr.  
Tryk på slagjusteringsknappen og bliv ved med at holde den inde.

### BEMÆRK:

- Tryk mundstykket fremad, inden du begynder at trykke på slagjusteringsknappen.
3. Tryk maskinen med hammerboret monteret mod væggen, indtil borspidsen berører væggen.
  4. Slip slagjusteringsknappen for at låse den.

### Indstilling af boreddybden (dybdemåler)

Hvis der skal bores huller til en nøjagtig dybde, skal den nøjagtige dybde først bestemmes ved boring af prøvehuller. (Fig. 4)

1. Hold maskinen således, at fingeren (fingrene) ikke trykker på afbryderen.
2. Tryk på dybdemålerknappen og skyd, med knappen trykket ind, låseknapslåden til den ønskede længde og slip den derefter.  
Afstanden (X) mellem tilbehørshuset og dybdemålerknappen er lig med boreddybden.

### Anvendelse



#### FORSIGTIG:

- Følg altid instruktionerne under ANVENDELSE i brugervejledningen for Makita hammerbor. Forsømmelse af at følge brugervejledningen kan føre til personskade.



#### ADVARSEL:

- Overhold altid nationale love, regulationer og forordninger, som giver retningslinjer for arbejde med helbredsfarlige materialer.

### Boring

Når der bores i beton, skal man holde godt fast i maskinen med begge hænder, så hele mundstykkets øverste del er i tæt kontakt med betonfladen. Hvis blot en del af mundstykket ikke er i tæt kontakt med betonfladen, kan støvopsamlingen blive mangelfuld.

### Afbankning af støv på filteret (Fig. 15)



#### FORSIGTIG:

- Når maskinen bruges sammen med systemet til støvopsamling, skal du sørge for at montere filteret på systemet til støvopsamling for at undgå at indånde støv.
- Før du bruger systemet til støvopsamling, skal du kontrollere, at filteret ikke er beskadiget. Hvis du ikke gør dette, kan det medføre indånding af støv.
- Drej ikke drejknappen på støvbakken, mens støvbakken er fjernet fra systemet til støvopsamling. Gør du det, kan du komme til at inhalere støvet.
- Sluk altid maskinen, mens du drejer drejknappen på støvbakken. Hvis du drejer drejknappen, mens maskinen kører, kan det medføre, at du mister kontrollen over maskinen.

Hvis du banker støvet af filteret i støvbakken, kan du holde støvsugerens effektiv og reducerer, hvor ofte du skal bortskaffe støvet.

Drej på drejknappen på støvbakken tre gange efter opsamling af hver 50.000 mm<sup>3</sup> støv, eller når du føler, at støvsugerens ydelse er forringet.

### BEMÆRK:

- 50.000 mm<sup>3</sup> støv svarer til at bore 10 huller på  $\varnothing$ 10 mm og 65 mm dybde.

### Forsinket afbryderfunktion

Efter afbrydelse vil støvopsamlingssystemet køre et par sekunder længere for at opsuge det tilbageværende støv i kanalen i støvbakken.

### Tømning af støvbakken

### BEMÆRK:

- For meget støv i støvbakken vil resultere i et betragteligt tab af støvudsugningskraft. Af denne årsag skal støvbakken rengøres med jævne mellemrum.



#### FORSIGTIG:

- Brug støvmaske, når støvbakken tømmes.
- Rør ikke ved filtersektionen, når den rengøres.
- Anvend ikke en børste eller trykluft til at rengøre filtersektionen. Anvendelse af en børste eller trykluft kan beskadige filteret.

1. Inden støvbakken tages af tilbehøret, skal man holde maskinen vandret. (Fig. 5)
2. Tryk på støvbakkens udløserknap og drej den, med knappen trykket ind, på den nederste sideakse.
3. Fjern støvbakken fra tilbehøret.
4. Støvbakken åbnes ved at man hæver armen en smule og derefter drejer den gennemsigtige sektion. (Fig. 6)
5. Tøm støvbakken ved at banke let på den. (Fig. 7)  
Vær påpasselig med, at der ikke slipper for meget støv ud i atmosfæren.
6. Sæt støvbakken på plads igen på tilbehøret.



## VEDLIGEHOLDELSE



### ADVARSEL:

- Sørg altid for, at maskinen er afbrudt, og at akkuen er fjernet, inden inspektion eller vedligeholdelse forsøges udført.

### BEMÆRK:

- Anvend ikke vand, olie, fedt eller rengøringsmidler.
- Anvend aldrig benzin, rensbenzin, fortynder, alkohol og lignende. Resultatet kan blive misfarvning, deformation eller revner.

### Rengøring af tilbehøret

Anvend kun en tør klud og en tør børste til rengøring af tilbehøret.  
Brug støvmaske under rengøringen.

### Udskiftning af filteret

Efterse regelmæssigt filteret for beskadigelse og skift det ud med et nyt, hvis det er beskadiget.

Filteret skiftes ud ved at man følger proceduren herunder.

1. Tryk på støvbakkens udløserknop og drej den, med knappen trykket ind, på den nederste sideakse. (Fig. 8)
2. Fjern støvbakken fra tilbehøret.
3. Lirk filterdækslet på støvbakken op ved hjælp af en kærvskruetrækker, som sættes ind i sprækken. (Fig. 9)
4. Træk det gamle filter ud fra støvbakken med hånden. (Fig. 10)
5. Anbring et nyt filter i den oprindelige stilling. (Fig. 11)
6. Sæt filterdækslet på støvbakken. (Fig. 12)
7. Sæt støvbakken på plads igen på tilbehøret. (Fig. 13)

### Udskiftning af tætningshætten (Fig. 14)

Anvendelse af en slidt eller beskadiget tætningshætte kan medføre utilstrækkelig støvopsamling.

Efterse tætningshætten med jævne mellemrum. Hvis tætningshætten er slidt eller beskadiget, skiftes den ud på følgende måde.

1. Fjern tætningshætten fra støvopsamlingsystemet med hånden.
2. Sæt en ny tætningshætte på støvopsamlingsystemet, så fremspringet på den placeres på oversiden.

For at opretholde SIKKERHED og PÅLIDELIGHED skal al anden vedligeholdelse eller justering udføres af et Makita autoriseret servicecenter og der skal altid anvendes Makita udskiftningsdele.

## FEJLFINDING

| Fejl                     | Mulig årsag                               | Udbedring                          |
|--------------------------|---|------------------------------------|
| Usædvanlig støvudladning | Støvbakken er fuld.                       | Tømning af støvbakken.             |
|                          | Tætningshætten er slidt eller beskadiget. | Skift tætningshætten ud med en ny. |

## EKSTRAUDSTYR



### FORSIGTIG:

- Dette udstyr eller tilbehør anbefales til brug med dit Makita støvopsamlingsystem som specificeret i denne vejledning. Anvendelse af andet ekstraudstyr eller tilbehør kan udgøre en risiko for tilskadekomst. Anvend kun ekstraudstyr eller tilbehør til deres beskrevne formål.

Ret gerne henvendelse til det lokale Makita Service Center, hvis hjælp angående flere detaljer om dette ekstraudstyr ønskes.

- Støvbakke (med filter)
- Filter

### BEMÆRK:

- Nogle ting på denne liste kan være inkluderet i værktøjspakken som standardtilbehør. Det kan være forskellige fra land til land.

**Περιγραφή γενικής όψης**

|                                      |  |                     |
|--------------------------------------|--|---------------------|
| 1 Διακόπτης-σκανδάλη                 | βάθους                                       | 11 Σχισμή           |
| 2 Εξάρτημα (Σύστημα συλλογής σκόνης) | 7 Απόσταση (X) ίση με το βάθος τρυπανίσματος | 12 Φίλτρο           |
| 3 Κουμπί απασφάλισης                 | 8 Κουμπί απασφάλισης θήκης σκόνης            | 13 Καπάκι σφράγισης |
| 4 Κουμπί ρύθμισης διαδρομής          | 9 Θήκη σκόνης                                | 14 Ακροφύσιο        |
| 5 Κουμπί μετρητή βάθους              | 10 Κάλυμμα φίλτρου                           | 15 Επιλογέας        |
| 6 Φορέας κουμπιού μετρητή            |  |                     |

**Προδιαγραφές**

| Μοντέλο                             | DX06         | DX07    |
|-------------------------------------|--------------|---------|
| Απόδοση αναρρόφησης                 | 350 l/λεπ    |         |
| Καθαρό βάρος                        | 1,5 Χγρ      | 1,5 Χγρ |
| Ονομαστική τάση                     | 18 V         |         |
| Διαδρομή λειτουργίας                | 96 χιλ. ΜΕΓ. |         |
| Κατάλληλη μύτη κρουστικού τρυπανιού | 24 χιλ. ΜΕΓ. |         |

- Λόγω του συνεχόμενου προγράμματος που εφαρμόζουμε για έρευνα και ανάπτυξη, οι προδιαγραφές στο παρόν έντυπο υπόκεινται σε αλλαγή χωρίς προειδοποίηση.
- Οι προδιαγραφές και η κασέτα μπαταρίας μπορεί να διαφέρουν από χώρα σε χώρα.
- Βάρος, με την κασέτα μπαταρίας, σύμφωνα με τη διαδικασία EPTA 01/2003

**Σύμβολα**

Παρακάτω παρουσιάζονται τα σύμβολα που χρησιμοποιούνται για τον εξοπλισμό. Βεβαιωθείτε ότι κατανοείτε τη σημασία τους πριν από τη χρήση.



- Απαιτείται ιδιαίτερη φροντίδα και προσοχή.



- Διαβάστε το εγχειρίδιο οδηγιών.



- Μόνο για τις χώρες της ΕΕ  
Μην απορρίπτετε τον ηλεκτρικό εξοπλισμό ή την μπαταρία μαζί με τα οικιακά απορρίμματα!  
Σύμφωνα με τις Ευρωπαϊκές Οδηγίες για τον απόβλητο ηλεκτρικό και ηλεκτρονικό εξοπλισμό και τις μπαταρίες και συσσωρευτές και τις απόβλητες μπαταρίες και συσσωρευτές και την ενσωμάτωσή τους σύμφωνα με την εθνική νομοθεσία, ο ηλεκτρικός εξοπλισμός και η μπαταρία και τα πακέτα μπαταριών που έχουν φτάσει το τέλος ζωής τους πρέπει να συλλέγονται ξεχωριστά και να επιστρέφονται σε εγκαταστάσεις περιβαλλοντικά συμβατής ανακύκλωσης.

**Θόρυβος**

Το σύνθησε σταθμισμένο επίπεδο ηχητικής πίεσης που έχει καθοριστεί σύμφωνα με το πρότυπο EN60745:

**Μοντέλο DX06**

Επίπεδο ηχητικής πίεσης ( $L_{pA}$ ): 91 dB (A)  
Επίπεδο ηχητικής ισχύος ( $L_{WA}$ ): 102 dB (A)  
Αβεβαιότητα (K): 3 dB (A)

**Μοντέλο DX07**

Επίπεδο ηχητικής πίεσης ( $L_{pA}$ ): 90 dB (A)  
Επίπεδο ηχητικής ισχύος ( $L_{WA}$ ): 101 dB (A)  
Αβεβαιότητα (K): 3 dB (A)

**Να φοράτε ωτοασπίδες**

## Κραδασμοί

Η συνολική τιμή κραδασμών (διανυσματικό άθροισμα τριών αξόνων) που έχει καθοριστεί σύμφωνα με το πρότυπο EN60745:

### Μοντέλο DX06, DX07

Κατάσταση λειτουργίας: Κρουστικό τρυπάνισμα σε τσιμέντο

Κραδασμοί ( $a_{h,HD}$ ): 13,0 m/s<sup>2</sup>

Αβεβαιότητα (K): 1,5 m/s<sup>2</sup>

- Η δηλωμένη τιμή κραδασμών μετρήθηκε σύμφωνα με την τυποποιημένη μέθοδο δοκιμών και μπορεί να χρησιμοποιηθεί για τη σύγκριση μεταξύ εργαλείων.
- Η δηλωμένη τιμή κραδασμών μπορεί επίσης να χρησιμοποιηθεί στην προκαταρκτική αξιολόγηση της έκθεσης.

### ΠΡΟΕΙΔΟΠΟΙΗΣΗ:

- Οι κραδασμοί κατά τη διάρκεια της πραγματικής χρήσης του ηλεκτρικού εργαλείου μπορεί να διαφέρουν από τη δηλωμένη τιμή, ανάλογα με τον τρόπο που χρησιμοποιείται το εργαλείο.
- Βεβαιωθείτε να χρησιμοποιείτε μέτρα ασφάλειας για την προστασία του χειριστή βάσει μιας εκτίμησης της έκθεσης των πραγματικών συνθηκών χρήσης (λαμβάνοντας υπόψη όλα τα μέρη του κύκλου λειτουργίας όπως όταν απενεργοποιείται το εργαλείο και όταν λειτουργεί στο ρελαντί αλλά και όταν λειτουργεί κανονικά).

## ΣΗΜΑΝΤΙΚΕΣ ΟΔΗΓΙΕΣ ΑΣΦΑΛΕΙΑΣ

 **ΠΡΟΕΙΔΟΠΟΙΗΣΗ!** Διαβάστε όλες τις προειδοποιήσεις ασφάλειας και όλες τις οδηγίες πριν θέσετε το εξάρτημα σε λειτουργία. Αν δεν ακολουθήσετε όλες τις προειδοποιήσεις και οδηγίες, υπάρχει κίνδυνος ηλεκτροπληξίας, πυρκαγιάς ή/και σοβαρού τραυματισμού.

**Φυλάξτε όλες τις προειδοποιήσεις και οδηγίες για μελλοντική αναφορά.**

1. Χρησιμοποιήστε το εξάρτημα σύμφωνα με αυτές τις οδηγίες. Αν χρησιμοποιείτε το εξάρτημα για λειτουργίες διαφορετικές από αυτές για τις οποίες προορίζεται, μπορεί να προκληθεί επικίνδυνη κατάσταση.
2. **Να απομακρύνετε τα παιδιά και τους μη έχοντες εργασία όταν χειρίζεστε ένα ηλεκτρικό εργαλείο.** Αν αποσπαστεί η προσοχή σας, μπορεί να χάσετε τον έλεγχο.
3. **Να διατηρείτε το χώρο εργασίας καθαρό και καλά φωτισμένο.** Σε ακατάστατους ή σκοτεινούς χώρους προκαλούνται ατυχήματα.
4. **Να φοράτε πάντα προστασία ματιών και αναπνευστική προστασία.**

## ΠΡΙΝ ΑΠΟ ΤΗ ΧΡΗΣΗ

**Τοποθέτηση ή αφαίρεση του συστήματος συλλογής σκόνης**

### ΠΡΟΕΙΔΟΠΟΙΗΣΗ:

- **Να βεβαιώνετε πάντοτε ότι έχετε σβήσει το εργαλείο και έχετε βγάλει την κασέτα μπαταρίας πριν εκτελέσετε οποιαδήποτε εργασία σε αυτό. Αν δεν σβήσετε το μηχάνημα και δεν βγάλετε την κασέτα μπαταρίας μπορεί να προκληθεί σοβαρός προσωπικός τραυματισμός από την τυχαία εκκίνηση.**
- **Πριν την τοποθέτηση του συστήματος συλλογής σκόνης, βεβαιωθείτε ότι τα σημεία σύνδεσης και το ίδιο το ηλεκτρικό εργαλείο, ιδιαίτερα η ηλεκτρική διασπαφή του ηλεκτρικού εργαλείου, είναι καθαρά από σκόνη και ξένα σώματα. Μετά την τοποθέτηση του συστήματος συλλογής σκόνης, βεβαιωθείτε επίσης ότι έχει τοποθετηθεί με ασφάλεια.**

### ΣΗΜΕΙΩΣΗ:

- Αυτό το σύστημα συλλογής σκόνης προορίζεται για χρήση κατά το τρυπάνισμα μόνο σε τσιμέντο. Μη χρησιμοποιείτε ποτέ αυτό το σύστημα για τρυπάνισμα σε μέταλλο ή ξύλο.
- Αυτό το σύστημα συλλογής σκόνης συλλέγει ένα σημαντικό ποσοστό της σκόνης που παράγεται κατά την εκτέλεση της εργασίας, αλλά όχι όλη τη σκόνη.
- Να αδειάζετε τακτικά τη θήκη σκόνης. Αν δεν αδειάζετε τακτικά τη θήκη σκόνης, μπορεί να προκληθεί έκλυση σκόνης.
- Μη χρησιμοποιείτε το σύστημα συλλογής σκόνης σε εφαρμογές πυρηνοληψίας ή σιμιγέματος.

Για να τοποθετήσετε το σύστημα συλλογής σκόνης, ακολουθήστε την παρακάτω διαδικασία. **(Εικ. 1)**

1. Κρατήστε το ηλεκτρικό εργαλείο ώστε τα δάκτυλά σας να μην πιέζουν το διακόπτη-σκανδάλη.
2. Ευθυγραμμίστε τη διασπαφή του εξαρτήματος με τον οδηγό του ηλεκτρικού εργαλείου και ολισθήστε την επάνω στο εργαλείο μέχρι να ασφαλίσει και να ακουστεί ένα διπλό κλικ.
3. Μετά την τοποθέτηση του εξαρτήματος στο ηλεκτρικό εργαλείο, βεβαιωθείτε ότι είναι σωστά ασφαλισμένο.

Για να αφαιρέσετε το σύστημα συλλογής σκόνης, ακολουθήστε την παρακάτω διαδικασία. **(Εικ. 2)**

1. Κρατήστε το ηλεκτρικό εργαλείο ώστε τα δάκτυλά σας να μην πιέζουν το διακόπτη-σκανδάλη.
2. Πατήστε το κουμπί απασφάλισης στο εξάρτημα και, ενώ κρατάτε το κουμπί πατημένο, τραβήξτε το εξάρτημα μακριά από το ηλεκτρικό εργαλείο.

## ΛΕΙΤΟΥΡΓΙΑ

### ΠΡΟΣΟΧΗ:

- Μη χρησιμοποιείτε το εργαλείο σε υγρές συνθήκες, όπως κατά την εκτέλεση εργασιών σε επιφάνεια τσιμέντου και παρόμοιες συνθήκες.

### Ρύθμιση του μήκους της προεξοχής μύτης

Η προεξοχή της μύτης είναι ρυθμιζόμενη σύμφωνα με το μήκος της μύτης του κρουστικού τρυπανιού. (Εικ. 3)

1. Κρατήστε το ηλεκτρικό εργαλείο ώστε τα δάκτυλά σας να μην πιέζουν το διακόπτη-σκανδάλη.
2. ΠΡΟΣΟΧΗ: Όταν πατηθεί το κουμπί ρύθμισης διαδρομής, το τηλεσκοπικό τμήμα απελευθερώνεται και μπορεί να αναπηδήσει προς τα έξω έως 100 χιλιοστά υπό την πίεση των ελατηρίων. Να φοράτε προστατευτικά γυαλιά. Κρατήστε τη μύτη οδηγού του εξαρτήματος μακριά από αντικείμενα έχοντας κατά νου την παραπάνω απόσταση αναπήδησης προς τα έξω και ποτέ μη στρέψετε το εξάρτημα προς το μέρος σας ή προς το μέρος παρευρισκόμενων ή ζώων.  
Πατήστε το κουμπί ρύθμισης διαδρομής και κρατήστε το πατημένο.

### ΣΗΜΕΙΩΣΗ:

- Πριν ξεκινήσετε να πατάτε το κουμπί ρύθμισης διαδρομής, ωθήστε το ακροφύσιο προς τα μπροστά.
- 3. Πιέστε το ηλεκτρικό εργαλείο επάνω στον τοίχο με τοποθετημένη τη μύτη του κρουστικού τρυπανιού μέχρι η μύτη τρυπανίσματος να αγγίξει στον τοίχο.
- 4. Αφήστε το κουμπί ρύθμισης διαδρομής για να το ασφαλίσετε.

### Ρύθμιση του βάθους τρυπανίσματος (μετρητής βάθους)

Αν απαιτείται να ανοίξετε οπές ενός συγκεκριμένου βάθους, πρέπει να καθορίσετε το σωστό βάθος με το τρυπάνισμα δοκιμαστικών οπών. (Εικ. 4)

1. Κρατήστε το ηλεκτρικό εργαλείο ώστε τα δάκτυλά σας να μην πιέζουν το διακόπτη-σκανδάλη.
2. Πατήστε το κουμπί μετρητή βάθους και, ενώ κρατάτε το κουμπί πατημένο, ολισθήστε το φορέα κουμπιού ασφάλισης στο επιθυμητό μήκος και αφήστε το.  
Η απόσταση (X) μεταξύ του περιβλήματος του εξαρτήματος και του κουμπιού μετρητή βάθους είναι ίση με το βάθος τρυπανίσματος.

### Λειτουργία

#### ΠΡΟΣΟΧΗ:

- Να τηρείτε πάντα τις οδηγίες στην παράγραφο ΛΕΙΤΟΥΡΓΙΑ του εγχειριδίου οδηγιών για τα κρουστικά τρυπάνια της Makita. Αν δεν τηρήσετε το εγχειρίδιο οδηγιών μπορεί να προκληθεί προσωπικός τραυματισμός.

#### ΠΡΟΕΙΔΟΠΟΙΗΣΗ:

- Να τηρείτε πάντα τους εθνικούς νόμους, κανονισμούς και κανόνες που αναφέρονται στην εργασία με υλικά που είναι επικίνδυνα για την υγεία.

### Τρυπάνισμα

Κατά το τρυπάνισμα σε τσιμέντο, να κρατάτε καλά το εργαλείο και με τα δύο χέρια ώστε ολόκληρο το επάνω μέρος του ακροφυσίου να βρίσκεται σε στενή επαφή με την επιφάνεια του τσιμέντου. Κάθε τμήμα του ακροφυσίου που δεν βρίσκεται σε επαφή με την επιφάνεια του τσιμέντου μπορεί να προκαλέσει ανεπαρκή συλλογή σκόνης.

### Κτύπημα σκόνης στο φίλτρο (Εικ. 15)

#### ΠΡΟΣΟΧΗ:

- Όταν χρησιμοποιείτε το εργαλείο με το σύστημα συλλογής σκόνης, βεβαιωθείτε να συνδέσετε το φίλτρο στο σύστημα συλλογής σκόνης για να αποφύγετε την εισπνοή σκόνης.
- Πριν χρησιμοποιείτε το σύστημα συλλογής σκόνης, ελέγξτε ότι το φίλτρο δεν είναι κατεστραμμένο. Αν δεν τηρήσετε αυτή την οδηγία, μπορεί να προκληθεί εισπνοή της σκόνης.
- Μη γυρίσετε τον επιλογέα στη θήκη σκόνης ενώ η θήκη σκόνης έχει αφαιρεθεί από το σύστημα συλλογής σκόνης. Αν το κάνετε αυτό, μπορεί να προκληθεί εισπνοή της σκόνης.
- Να σβήνετε πάντα το εργαλείο όταν γυρίζετε τον επιλογέα στη θήκη σκόνης. Αν γυρίσετε τον επιλογέα ενώ το εργαλείο λειτουργεί, μπορεί να έχει ως αποτέλεσμα την απώλεια ελέγχου του εργαλείου.

Αν κτυπήσετε τη σκόνη στο φίλτρο μέσα στη θήκη σκόνης, μπορείτε να διατηρήσετε την αποδοτικότητα αναρρόφησης και επίσης να μειώσετε τον αριθμό των φορών που θα απορρίψετε τη σκόνη.

Γυρίστε τον επιλογέα στη θήκη σκόνης τρεις φορές μετά τη συλλογή 50.000 mm<sup>3</sup> σκόνης ή όταν πιστεύετε ότι η απόδοση αναρρόφησης έχει μειωθεί.

### ΣΗΜΕΙΩΣΗ:

- 50.000 mm<sup>3</sup> σκόνης ισοδυναμούν με τρυπάνισμα 10 οπών με  $\varnothing$  10 mm και βάθος 65 mm.

### Λειτουργία καθυστέρησης απενεργοποίησης

Μετά την απενεργοποίηση, το σύστημα συλλογής σκόνης θα παραμείνει σε λειτουργία για λίγα ακόμα δευτερόλεπτα για τη συλλογή της εναπομένουσας σκόνης μέσα στον αγωγό της θήκης σκόνης.

## Άδειασμα της θήκης σκόνης

### ΣΗΜΕΙΩΣΗ:

- Η πολύ μεγάλη ποσότητα σκόνης στη θήκη σκόνης θα έχει ως αποτέλεσμα σημαντική απώλεια της ισχύος εξαγωγής σκόνης. Να καθαρίζετε τακτικά τη θήκη σκόνης, αναλόγως.

### ΠΡΟΣΟΧΗ:

- Να φοράτε αναπνευστική προστασία όταν αδειάζετε τη θήκη σκόνης.
  - Μην αγγίζετε το τμήμα του φίλτρου όταν το καθαρίζετε.
  - Μη χρησιμοποιείτε βούρτσα ή πεπιεσμένο αέρα για να καθαρίσετε το τμήμα του φίλτρου. Η χρήση βούρτσας ή πεπιεσμένου αέρα μπορεί να προκαλέσει βλάβη στο φίλτρο.
1. Πριν αφαιρέσετε τη θήκη σκόνης από το εξάρτημα, κρατήστε το ηλεκτρικό εργαλείο οριζόντια. **(Εικ. 5)**
  2. Πατήστε το κουμπί απασφάλισης θήκης σκόνης και, με το κουμπί πατημένο, περιστρέψτε τον περιέκτη σκόνης κατά τον άξονα της κάτω πλευράς.
  3. Βγάλτε τη θήκη σκόνης από το εξάρτημα.
  4. Για να ανοίξετε τη θήκη σκόνης, ανασηκώστε ελαφρώς το μοχλό και κατόπιν περιστρέψτε το διάφανο τμήμα. **(Εικ. 6)**
  5. Αδειάστε τη θήκη σκόνη χτυπώντας τον ελαφριά. **(Εικ. 7)**  
Προσέχετε να μην αφήσετε να διαφύγει υπερβολική ποσότητα σκόνης στον αέρα.
  6. Τοποθετήστε ξανά τη θήκη σκόνης στη θέση του επάνω στο εξάρτημα.

## ΣΥΝΤΗΡΗΣΗ

### ΠΡΟΕΙΔΟΠΟΙΗΣΗ:

- Να βεβαιώνετε πάντοτε ότι το εργαλείο είναι σβηστό και ότι έχετε βγάλει την κασέτα μπαταρίας πριν εκτελέσετε οποιαδήποτε εργασία επιθεώρησης ή συντήρησης σε αυτό.

### ΣΗΜΕΙΩΣΗ:

- Μη χρησιμοποιείτε νερό, λάδι, γράσο, απορρυπαντικό ή καθαριστικούς παράγοντες.
- Μην χρησιμοποιείτε ποτέ βενζίνη, πετρελαϊκό αιθέρα, διαλυτικό, αλκοόλη ή παρόμοιες ουσίες. Ενδέχεται να προκληθεί αποχρωματισμός, παραμόρφωση ή ρωγμές.

### Καθαρισμός του εξαρτήματος

Καθαρίστε το εξάρτημα χρησιμοποιώντας μόνο ένα στεγνό πανί ή μια στεγνή βούρτσα.

Να φοράτε αναπνευστική προστασία κατά τον καθαρισμό.

### Αντικατάσταση του φίλτρου

Ελέγχετε τακτικά το φίλτρο για βλάβες και στην περίπτωση βλάβης, αντικαταστήστε το παλιό φίλτρο με ένα καινούργιο.

Για να αντικαταστήσετε το φίλτρο, ακολουθήστε την παρακάτω διαδικασία.

1. Πατήστε το κουμπί απασφάλισης θήκης σκόνης και, με το κουμπί πατημένο, περιστρέψτε τον περιέκτη σκόνης κατά τον άξονα της κάτω πλευράς. **(Εικ. 8)**
2. Βγάλτε τη θήκη σκόνης από το εξάρτημα.
3. Ανασηκώστε το κάλυμμα φίλτρου στη θήκη σκόνης χρησιμοποιώντας ένα πλακέ κατασαβίδι το οποίο θα εισαγάγετε στη σχισμή. **(Εικ. 9)**
4. Τραβήξτε το παλιό φίλτρο από τη θήκη σκόνης με το χέρι. **(Εικ. 10)**
5. Τοποθετήστε ένα καινούργιο φίλτρο στην αρχική θέση. **(Εικ. 11)**
6. Ασφαλίστε το κάλυμμα φίλτρου στη θήκη σκόνης. **(Εικ. 12)**
7. Τοποθετήστε ξανά τη θήκη σκόνης στη θέση του επάνω στο εξάρτημα. **(Εικ. 13)**

### Αντικατάσταση του καπακιού σφράγισης (Εικ. 14)

Η χρήση ενός φθαρμένου ή κατεστραμμένου καπακιού σφράγισης μπορεί να προκαλέσει ανεπαρκή συλλογή σκόνης. Να ελέγχετε το καπάκι σφράγισης τακτικά. Όταν το καπάκι σφράγισης είναι φθαρμένο ή κατεστραμμένο, αντικαταστήστε το ακολουθώντας την εξής διαδικασία.

1. Βγάλτε το καπάκι σφράγισης από το σύστημα συλλογής σκόνης με το χέρι.
2. Τοποθετήστε ένα καινούργιο καπάκι σφράγισης στο σύστημα συλλογής σκόνης με τρόπο ώστε η προεξοχή σε αυτό να είναι τοποθετημένη στην άνω πλευρά.

Για τη διατήρηση της ΑΣΦΑΛΕΙΑΣ και ΑΞΙΟΠΙΣΤΙΑΣ του προϊόντος, οποιαδήποτε άλλη συντήρηση ή ρύθμιση πρέπει να εκτελείται από τα Εξουσιοδοτημένα Κέντρα Σέρβις της Makita, με χρήση πάντοτε ανταλλακτικών Makita.

## ΑΝΤΙΜΕΤΩΠΙΣΗ ΠΡΟΒΛΗΜΑΤΩΝ

| Βλάβη                     | Πιθανή αιτία  | Επίλυση                             |
|---------------------------|---|-------------------------------------|
| Ασυνήθιστη εκπομπή σκόνης | Η θήκη σκόνης είναι γεμάτος.                        | Αδειάστε τη θήκη σκόνης.            |
|                           | Το καπάκι σφράγισης είναι φθαρμένο ή κατεστραμμένο. | Αντικαταστήστε το καπάκι σφράγισης. |

## ΠΡΟΑΙΡΕΤΙΚΑ ΕΞΑΡΤΗΜΑΤΑ

### ΠΡΟΣΟΧΗ:

- Αυτά τα εξαρτήματα ή προσαρτήματα συνιστώνται για χρήση με το σύστημα συλλογής σκόνης της Makita που καθορίζεται στο εγχειρίδιο αυτό. Η χρήση οποιωνδήποτε άλλων εξαρτημάτων ή προσαρτημάτων μπορεί να δημιουργήσει κίνδυνο τραυματισμού ατόμων. Να χρησιμοποιείτε εξαρτήματα ή προσαρτήματα μόνο για το σκοπό που προορίζονται.

Αν χρειάζεστε βοήθεια για περισσότερες πληροφορίες που αφορούν τα εξαρτήματα αυτά, απευθυνθείτε στο πλησιέστερο Κέντρο Σέρβις της Makita.

- Θήκη σκόνης (με φίλτρο)
- Φίλτρο

### ΠΑΡΑΤΗΡΗΣΗ:

- Μερικά στοιχεία στη λίστα μπορεί να συμπεριλαμβάνονται στη συσκευασία εργαλείου ως στάνταρ εξαρτήματα. Μπορεί να διαφέρουν ανάλογα με τη χώρα.

**Genel görünüşün açıklanması**

|                                    |  |                 |
|------------------------------------|--|-----------------|
| 1 Anahtar Tetik                    | 7 Delme derinliğine eşit olan mesafe (X) | 11 Yarık        |
| 2 Ek parça (Toz toplama sistemi)   | 8 Toz kutusu serbest bırakma düğmesi     | 12 Filtre       |
| 3 Serbest bırakma düğmesi          | 9 Toz kutusu                             | 13 Conta kapağı |
| 4 Strok ayarlama düğmesi           | 10 Filtre kapağı                         | 14 Ağız         |
| 5 Derinlik ölçeği düğmesi          |  | 15 Kadran       |
| 6 Derinlik ölçeği düğmesi taşıyıcı |  |                 |

**Teknik özellikler**

| Model                    | DX06       | DX07   |
|--------------------------|------------|--------|
| Emme performansı         | 350 l/dak  |        |
| Net ağırlık              | 1,5 kg     | 1,5 kg |
| Anma voltajı             | 18 V       |        |
| Çalışma stroku           | 96 mm MAKS |        |
| Uygun darbeli matkap ucu | 24 mm MAKS |        |

- Sürekli yapılan araştırma ve geliştirmelerden dolayı, burada belirtilen özellikler önceden bildirilmeksizin değiştirilebilir.
- Özellikler ve batarya kartuşu ülkeden ülkeye değişebilir.
- EPTA-Prosedürü 01/2003 uyarınca batarya kartuşu ile birlikte ağırlık

**Semboller**

Aşağıdakiler makinanız için kullanılan sembolleri göstermektedir. Kullanmadan önce manalarını anladığınızdan emin olunuz.



- Çok dikkatli kullanın.



- Kullanma kılavuzunu okuyun.



- Sadece AB ülkeleri için  
Elektrikli cihaz veya bataryayı evsel atıklarla birlikte atmayın!  
Atık Elektrikli ve Elektronik Cihazlar ve Bataryalar ve Aküler ve Atık Bataryalar ve Aküler ile ilgili Avrupa Direktifleri ve ulusal yasalara göre uygulamaları göz önünde bulundurularak ömürlerinin sonuna gelmiş elektrikli cihazlar ve bataryalar ve batarya paketleri ayrı olarak toplanmalı ve çevresel olarak uyumlu geri dönüşüm tesisine götürülmelidir.

**Gürültü**

EN60745 standardına göre belirlenen tipik A-ağırlıklı gürültü düzeyi:

**DX06 modeli**

Ses basıncı düzeyi ( $L_{pA}$ ): 91 dB (A)  
Ses gücü düzeyi ( $L_{WA}$ ): 102 dB (A)  
Belirsizlik (K): 3 dB (A)

**DX07 modeli**

Ses basıncı düzeyi ( $L_{pA}$ ): 90 dB (A)  
Ses gücü düzeyi ( $L_{WA}$ ): 101 dB (A)  
Belirsizlik (K): 3 dB (A)

**Kulak koruyucuları takın**

ENG900-1

**Titreşim**

EN60745 standardına göre hesaplanan titreşim toplam değeri (üç eksenli vektör toplamı):

**DX06, DX07 modeli**

Çalışma modu: darbeli beton delme  
Titreşim emisyonu ( $a_{h,HD}$ ): 13,0 m/s<sup>2</sup>  
Belirsizlik (K): 1,5 m/s<sup>2</sup>

- Beyan edilen titreşim emisyon değeri standart test yöntemine uygun şekilde ölçülmüştür ve bir aleti bir başkasıyla karşılaştırmak için kullanılabilir.
- Beyan edilen titreşim emisyon değeri bir ön maruz kalma değerlendirmesi olarak da kullanılabilir.

### ⚠ UYARI:

- Bu elektrikli aletin gerçek kullanımı sırasındaki titreşim emisyonu aletin kullanım biçimlerine bağlı olarak beyan edilen emisyon değerinden farklı olabilir.
- Gerçek kullanım koşullarındaki maruz kalmanın bir tahmini hesaplaması temelinde operatörü koruyacak güvenlik önlemlerini mutlaka belirleyin (çalışma döngüsü içerisinde aletin kapalı olduğu ve aktif durumda olmasının yanı sıra boşta çalıştığı zamanlar gibi, bütün zaman dilimleri göz önünde bulundurularak değerlendirilmelidir).

## ÖNEMLİ GÜVENLİK TALİMATLARI

⚠ **UYARI! Ek parçayı kullanmadan önce tüm güvenlik uyarılarını ve tüm talimatları okuyun.** Uyarılara ve talimatlara uyulmaması elektrik şoku, yangın ve/veya ciddi yaralanmalar ile sonuçlanabilir.

**Tüm uyarıları ve talimatları ileride başvurmak için saklayın.**

1. **Ek parçayı talimatlara uygun olarak kullanın.** Ek parçanın kullanım amacı dışında kullanılması tehlikeli bir durum ortaya çıkarabilir.
2. **Bir elektrikli aleti kullanırken çocukları ve seyredenleri uzak tutun.** Dikkatinizin başka tarafa çekilmesi kontrolü kaybetmenize neden olabilir.
3. **Çalışma alanını temiz tutun ve iyi aydınlatın.** Karmakarışık ve karanlık alanlar kazalara davetiye çıkarır.
4. **Daima göz koruması ve maske kullanın.**

## KULLANMADAN ÖNCE

**Toz toplama sisteminin takılması ve çıkarılması**

### ⚠ UYARI:

- **Alet üzerinde herhangi bir işlem yapmadan önce aletin kapalı ve batarya kartuşunun çıkartılmış olduğundan daima emin olun. Aletin kapatılmaması ve batarya kartuşunun çıkarılmaması istemsiz olarak aletin başlatılması sonucu ciddi kişisel yaralanmalara neden olabilir.**
- **Toz toplama sistemini takmadan önce, ek parçanın ve elektrikli aletin kendisinin, özellikle de elektriksels arabiriminin, toz ve yabancı maddelerden arındırılmış olduğundan emin olun. Toz toplama sistemini taktıktan sonra, sağlam bir şekilde takıldığından emin olun.**

### NOT:

- Bu toz toplama sistemi sadece betonda delme işlemi yaparken kullanılmak üzere tasarlanmıştır. Metal veya tahta delerken asla bu sistemi kullanmayın.
- Bu toz toplama sistemi çalışma sırasında oluşan tozun büyük bir oranını toplar fakat tamamını toplayamaz.
- Toz kutusunu düzenli aralıklarla boşaltın. Toz kutusu düzenli aralıklarla boşaltılmazsa toz dışarı çıkabilir.
- Bu toz toplama sistemini karotla delme veya kesme işlemlerinde kullanmayın.

Toz toplama sistemini takmak için, aşağıdaki prosedürü izleyin. **(Şek. 1)**

1. Aleti, parmağınız/parmaklarınız anahtar tetiğe değmeyecek şekilde tutun.
2. Ek parçanın arabirimini, elektrikli aletin kılavuzu ile hizalayıp çift tıklama sesi ile kilitteninceye kadar alet üzerinde kaydırın.
3. Ek parçayı elektrikli alet üzerine taktıktan sonra, iyice sabitlendiğinden emin olun.

Toz toplama sistemini çıkarmak için, aşağıdaki prosedürü izleyin. **(Şek. 2)**

1. Aleti, parmağınız/parmaklarınız anahtar tetiğe değmeyecek şekilde tutun.
2. Ek parça üzerindeki serbest bırakma düğmesine basın ve düğmeyi basılı tutarken parçayı elektrikli aletten çıkarın.

## ÇALIŞTIRMA

### ⚠ DİKKAT:

- **Beton zemin ve benzeri üzerinde çalışırken ıslak koşullarda aleti kullanmayın.**

**Uç çıkıntısı uzunluğunun ayarlanması**

Uç çıkıntısı darbeli matkap ucunuzun uzunluğuna göre ayarlanabilir. **(Şek. 3)**

1. Aleti, parmağınız/parmaklarınız anahtar tetiğe değmeyecek şekilde tutun.
2. **DİKKAT:** Strok ayarlama düğmesine basıldığında, teleskopik bölüm serbest kalır ve yay basıncı altında 100 mm'ye kadar dışarı çıkabilir. Koruyucu gözlük takın.  
Ek parçanın çubuk şeklindeki ucunu dışarı çıkma mesafesini göz önüne bulundurarak nesnelere uzak tutun, ek parçayı asla kendinize, etrafınızdaki kişi ya da hayvanlara doğrultmayın.  
Strok ayarlama düğmesine basın ve basılı tutun.



**NOT:**

- Strok ayarlama düğmesine basmaya başlamadan önce, ağzı ileri doğru itin.
- 3. Darbeli matkap ucunun takılı olduğu elektrikli aleti, matkap ucu duvara dokunana kadar duvara doğru bastırın.
- 4. Strok ayarlama düğmesini kilitlemek için serbest bırakın.

**Delme derinliğinin ayarlanması (derinlik ölçeği)**

Delğin derinliğinin kesin olması gerekiyorsa, deneme delikleri açarak doğru derinlik belirlenmelidir. (Şek. 4)

1. Aleti, parmağınız/parmaklarınız anahtar tetiğe değmeyecek şekilde tutun.
2. Derinlik ölçeği düğmesine basın ve düğmeyi basılı tutarken kilitleme düğmesi taşıyıcısını istenen uzunluğa kaydırıp kilitleyin.

Ek parçanın yuvası ile derinlik ölçeği düğmesi arasındaki mesafe (X) delme derinliğine eşittir.

**İşleyiş****⚠ DİKKAT:**

- Makita darbeli matkapların kullanım kılavuzlarında yer alan ÇALIŞTIRMA talimatlarına daima uyun. Kullanım kılavuzuna uyulmaması ciddi yaralanmalara sebep olabilir.

**⚠ UYARI:**

- Sağlığa zararlı maddelerle çalışma konusunda hükümler içeren ulusal yasa, yönetmelik ve içtüzüklere daima uyun.

**Delme**

Beton delme işlemi sırasında, elektrikli aleti iki elinizle sıkıca tutarak toz toplama başlığının tamamının beton zeminle sıkıca temas ettiğinden emin olun. Toz toplama başlığının bir kısmının beton yüzeye temas etmemesi toz toplama işleminin zayıf olmasına neden olabilir.

**Filtre üzerindeki tozun vurarak çıkarılması (Şek. 15)****⚠ DİKKAT:**

- Aleti toz toplama sistemi ile kullanırken toz solumayı engellemek için toz toplama sistemine mutlaka filtre takın.
- Toz toplama sistemini kullanmadan önce filtrenin hasarlı olmadığını kontrol edin. Aksi takdirde toz solunmasına neden olabilir.
- Toz kutusu toz toplama sisteminden çıkarılmışken toz kutusu üzerindeki kadranı çevirmeyin. Böyle yapılması toz solunmasına neden olabilir.
- Toz kutusu üzerindeki kadranı çevirirken aleti daima kapatın. Alet çalışırken kadranın çevrilmesi aletin kontrolünün kaybedilmesine neden olabilir.

Toz kutusunun içindeki filtre üzerindeki tozu vurarak çıkarmak suretiyle vakum etkisini koruyabilir ve tozu boşaltma sayısını azaltabilirsiniz.

Her 50.000 mm<sup>3</sup> toz topladıktan sonra veya vakum performansının düştüğünü hissettiğinizde toz kutusu üzerindeki kadranı üç kez çevirin.

**NOT:**

- 50.000 mm<sup>3</sup> toz, 10 mm çapında ve 65 mm derinliğinde 10 delik açmaya denk gelir.

**Kapanma gecikmesi işlevi**

Kapatıldıktan sonra, toz toplama sistemi toz kutusu kanalında kalan tozları toplamak için birkaç saniye daha çalışır.

**Toz kutusunun boşaltılması****NOT:**

- Toz kutusunda çok fazla toz birikmesi toz çekme gücünde kayda değer bir düşüşe neden olacaktır. Bu sebeple, toz kutusunu düzenli aralıklarla temizleyin.

**⚠ DİKKAT:**

- Toz kutusunu boşaltırken maske takın.
- Temizleme sırasında filtre bölümüne dokunmayın.
- Filtre bölümünü temizlemek için fırça veya basınçlı hava spreyi kullanmayın. Fırça veya basınçlı hava kullanımı filtreye zarar verebilir.

1. Toz kutusunu ek parçadan çıkarmadan önce elektrikli aleti yatay olarak tutun. (Şek. 5)
2. Toz kutusu üzerindeki serbest bırakma düğmesine basın ve düğmeyi basılı tutarken alt yan eksen üzerinde döndürün.
3. Toz kutusunu ek parçadan çıkarın.
4. Toz kutusunu açmak için, kolu hafifçe kaldırın ve ardından şeffaf bölümü döndürün. (Şek. 6)
5. Toz kutusunu hafifçe silkeleyerek boşaltın. (Şek. 7)  
Fazla tozun havaya karışmamasına dikkat edin.
6. Toz kutusunu ek parça üzerindeki yerine geri takın.

## BAKIM

### ⚠ UYARI:

- Kontrol ya da bakım yapmadan önce aletin kapalı ve batarya kartuşunun çıkartılmış olduğundan daima emin olun.

### NOT:

- **Su, yağ, gres, deterjan veya başka bir temizlik maddesi kullanmayın.**
- Benzin, tiner, alkol ve benzeri maddeleri kesinlikle kullanmayın. Renk değişimi, deformasyon veya çatlaklar oluşabilir.

### Ek parçanın temizlenmesi

Ek parçayı sadece kuru bir bez veya kuru bir fırça kullanarak temizleyin.

Temizlik sırasında maske takın.

### Filtrenin değiştirilmesi

Filtreyi düzenli aralıklarla hasarlara karşı kontrol edin ve hasar varsa eski filtreyi yenisiyle değiştirin.

Filtreyi değiştirmek için, aşağıdaki prosedürü izleyin.

1. Toz kutusu üzerindeki serbest bırakma düğmesine basın ve düğmeyi basılı tutarken alt yan eksen üzerinde döndürün. **(Şek. 8)**
2. Toz kutusunu ek parçadan çıkarın.
3. Toz kutusu üzerindeki filtre kapağını yarığa girebilecek yarığın ucuyla kaldırın. **(Şek. 9)**
4. Eski filtreyi elinizle toz kutusundan çıkarın. **(Şek. 10)**
5. Orijinal konumuna yeni bir filtre yerleştirin. **(Şek. 11)**
6. Toz kutusunun filtre kapağını kapatın. **(Şek. 12)**
7. Toz kutusunu ek parça üzerindeki yerine geri takın. **(Şek. 13)**

### Conta kapağının değiştirilmesi (Şek. 14)

Aşınmış veya hasarlı bir conta kapağı kullanılması toz toplama verimini düşürebilir.

Conta kapağını düzenli aralıklarla kontrol edin. Conta kapağı aşınmış veya hasarlıysa aşağıda gösterildiği gibi değiştirin.

1. Conta kapağını toz toplama sisteminden elinizle çıkarın.
2. Yeni bir conta kapağını, üzerindeki çıkıntı toz toplama sistemi üzerine gelecek şekilde takın.

Makinanın EMNİYET ve GÜVENİRLİĞİNİ muhafaza etmek için başka her türlü bakım ve ayarlamalar daima Makita yedek parçaları kullanılarak Makita Yetkili Servis Merkezleri tarafından yapılmalıdır.

## ARIZA GİDERME

| Arıza                    | Olası nedeni                       | Çözüm                       |
|--------------------------|------------------------------------|-----------------------------|
| Beklenmedik toz emisyonu | Toz kutusu dolu.                   | Toz kutusunun boşaltılması. |
|                          | Conta kapağı aşınmış veya hasarlı. | Conta kapağını değiştirin.  |

## İSTEĞE BAĞLI AKSESUARLAR

### ⚠ DİKKAT:

- Bu kullanma kılavuzunda belirtilen Makita aletiniz ile kullanılmak üzere bu aksesuarlar ve ek parçalar tavsiye edilmektedir. Herhangi başka bir aksesuar ya da ek parça kullanılması insanlar için bir yaralanma riski oluşturabilir. Aksesuarları ya da ek parçaları yalnızca belirtilmiş olan kullanım amaçlarına uygun olarak kullanın.

Bu aksesuarlarla ilgili daha fazla bilgiye ihtiyac duyarsanız bulunduğunuz yerdeki yetkili Makita servisine başvurun.

- Toz kutusu (filtreli)
- Filtre

### NOT:

- Listedeki bazı parçalar standart aksesuar olarak ürün paketinin içine dahil edilmiş olabilir. Aksesuarlar ülkeden ülkeye farklılık gösterebilir.

### 总图说明

|               |               |         |
|---------------|---------------|---------|
| 1 触发开关        | 6 深度计按钮座      | 11 拆卸槽  |
| 2 附属装置 (集尘系统) | 7 距离(X)等于钻孔深度 | 12 过滤器  |
| 3 释放按钮        | 8 集尘盒释放按钮     | 13 密封压盖 |
| 4 行程调整按钮      | 9 集尘盒         | 14 喷嘴   |
| 5 深度计按钮       | 10 过滤器盖       | 15 拨盘   |

### 技术参数

| 型号     | DX06      | DX07   |
|--------|-----------|--------|
| 吸尘性能   | 350 l/min |        |
| 净重     | 1.5 kg    | 1.5 kg |
| 额定电压   | 18 V      |        |
| 工作行程   | 最大96 mm   |        |
| 适用锤钻钻头 | 最大24 mm   |        |

- 技术规格因产品改进如有变更，恕不另行通知。
- 技术规格和电池座可能因国家而异。
- 重量，包括电池座，符合标准EPTA-Procedure 01/2003

### 标识

以下所示为设备所用标识。在使用前，应充分理解这些标识的含义。



- 特别小心和注意。



- 阅读使用手册。



- 仅适用于欧盟国家  
不要将电气设备或电池与家庭废弃物一起处置！  
根据有关废弃电气及电子设备和电池及蓄电池和废弃电池及蓄电池的欧洲条例及其根据国家法律的实施，达到其寿命的电气设备和电池和电池组必须分开收集并返还到环保的回收设施。

### 噪声

按照EN60745确定的一般A加权噪声级：

#### 机型DX06

声压级( $L_{pA}$ )：91 dB (A)  
声功率级( $L_{WA}$ )：102 dB (A)  
不确定性(K)：3 dB (A)

#### 机型DX07

声压级( $L_{pA}$ )：90 dB (A)  
声功率级( $L_{WA}$ )：101 dB (A)  
不确定性(K)：3 dB (A)

戴上护耳装备

ENG900-1

### 振动

按照EN60745确定的振动总值（三轴矢量和）：

#### 机型DX06、DX07


作业模式：冲击钻入混凝土  
振动散发( $a_{h,HD}$ )：13.0 m/s<sup>2</sup>  
不确定性(K)：1.5 m/s<sup>2</sup>

- 标称的振动散发值按照标准检测方法测定，可用于将一个工具与另一个作比较。
- 标称的振动散发值也可用于预估暴露。

#### 警告：

- 取决于使用电动工具的方式，实际使用中的振动散发可能不同于标称的散发值。
- 请务必根据实际使用情况中的暴露估计（考虑进所有操作周期的部分，例如关闭工具的时间和工具空转的时间以及触发时间），找到安全措施来保护操作人员。

## 重要的安全规定

 **警告！** 在操作附属装置前，务必阅读所有的安全警告信息及所有的规定。违反警告信息和规定可导致电击、火灾及/或严重的人身伤害。

妥善保存所有的警告信息和规定，以备将来参考。

1. 按照相关规定使用附属装置。不按操作规定使用附属装置可导致危险状况。
2. 操作电动工具时，儿童和无关人员应远离。注意力不集中可导致工具失去控制。
3. 保持工作区清洁及充足的照明。工作区凌乱和光线不良可能会引发事故。
4. 必须佩带护目用具及呼吸护具。

## 使用前

### 集尘系统的安装或拆卸

#### 警告：

- 在对工具进行任何操作前，必须切断工具电源并拆除电池座。不切断电源及拆除电池座可因工具的意外启动而导致严重的人身伤害。
- 安装集尘系统前，应确保附属装置位置及电动工具本身，尤其是电动工具的电气接口，没有任何灰尘及异物。集尘系统安装完成后，还必须验证安装的可靠性。

#### 注解：

- 本集尘系统仅用于混凝土钻孔作业。本系统不能用于金属或木材钻削作业。
- 本集尘系统可收集工作时产生的绝大部分灰尘，但不能去除全部灰尘。
- 定期清空集尘盒。如果集尘盒不进行定期清空，可导致灰尘排出。
- 本集尘系统不能用于岩心钻取或凿凿作业。

应按照以下步骤安装集尘系统。（图1）

1. 握牢电动工具，防止手指压住触发开关。
2. 将附属装置的接口与电动工具导轨对齐，并在工具上滑动，直至听到两声喀啷音，表示附属装置已被锁定。
3. 将附属装置安装到电动工具上后，应验证其是否已可靠地固定。

按照以下步骤拆卸集尘系统。（图2）

1. 握牢电动工具，防止手指压住触发开关。
2. 按下附属装置上的释放按钮，保持按钮处于压下状态，同时拉动附属装置，将其自电动工具上取下。

## 操作

#### 注意：

- 不要在潮湿条件下使用本工具，例如混凝土表面作业及类似工作条件。

### 调整末端伸出长度

末端伸出长度可根据锤钻钻头的长度进行调整。（图3）

1. 握牢电动工具，防止手指压住触发开关。
2. 注意：按下行程调整按钮，伸缩部分就会松开，在弹簧压力作用下，伸缩部分将向外弹出，距离可达100 mm。配备护目镜。

注意保持上述的弹伸距离，使附属装置的滑杆末端远离任何物体，严禁附属装置指向自己、任何他人或动物。

压下行程调整按钮，并保持压下状态。

#### 注解：

- 在开始按下行程调整按钮之前，请将吸嘴向前推。
- 3. 向墙体方向推压已安装锤钻钻头的电动工具，直至钻头尖与墙面接触。
- 4. 放开行程调整按钮，锁定伸缩部分。

### 设定钻孔深度（深度计）

如果要求准确的钻孔深度，则需通过钻测试孔以确定正确的深度。（图4）

1. 握牢电动工具，防止手指压住触发开关。
2. 按住深度计按钮，并滑动锁定按钮座至所需的长度，然后松开按钮。

附属装置壳体与深度计按钮之间的距离(X)等于钻孔深度。

## 操作

### 注意:

- 必须按照Makita锤钻使用手册的规定进行操作。违反使用手册规定可导致人身伤害。

### 警告:

- 必须遵守国家关于有害健康的危险物品作业的法律、法规及法令。

## 钻孔

进行混凝土钻孔时，双手必须牢牢握住电动工具，以确保整个吸嘴顶端与混凝土表面紧密接触。如果吸嘴的任何部分与混凝土表面脱离，将导致除尘效果不良。

## 拍打过滤器上的灰尘（图15）

### 注意:

- 结合集尘系统使用工具时，请务必安装过滤器至集尘系统以防止吸入灰尘。
- 使用集尘系统前，请检查并确认过滤器没有损坏。否则可能会导致吸入灰尘。
- 在集尘盒已从集尘系统移除的情况下，请勿转动集尘盒上的拨盘。否则会导致吸入灰尘。
- 转动集尘盒上的拨盘时，务必关闭工具电源开关。在工具运行的状态下转动拨盘可能会导致工具失控。

通过拍打集尘盒内过滤器上的灰尘，可以保持较高的集尘效率并减少清理灰尘的次数。

每收集50,000 mm<sup>3</sup>的灰尘或感觉集尘性能下降时，应转动集尘盒上的拨盘三次。

### 注解:

- 50,000 mm<sup>3</sup>的灰尘相当于钻10个直径为10 mm，深度为65 mm的孔。

## 切断延时功能

切断电源后，集尘系统还将继续运转数秒钟，以收集集尘盒导管中的残余灰尘。

## 清空集尘盒

### 注解:

- 集尘盒中的灰尘过多可导致除尘功率的严重损耗。因此，应定期清空集尘盒。

### 注意:

- 清空集尘盒时，应佩戴呼吸护具。
  - 清洁过滤器部分时，不能用手接触。
  - 不能使用刷子或空气除尘器清洁过滤器部分。使用刷子或压缩空气可导致过滤器损坏。
1. 自附属装置上拆除集尘盒时，应水平握住电动工具。（图5）
  2. 压下集尘盒释放按钮，保持按钮按下状态，以下侧轴为中心转动集尘器。
  3. 自附属装置上拆下集尘盒。
  4. 打开集尘盒时，应轻轻地向上拉动扳手，然后转动透明部分。（图6）
  5. 轻轻敲打集尘盒，清空里面的灰尘。（图7）  
必须注意不要让过多的灰尘排到空气中。
  6. 重新将集尘盒在附属装置上安装就位。

## 维护

### 警告:

- 进行检验或维护作业前，必须确保切断工具电源并拆下电池座。

### 注解:

- 不能使用水、油脂类、去垢剂或清洁剂。
- 不能使用汽油、挥发油、稀释剂、酒精等。可导致脱色、变形或裂纹。

## 附属装置的清洁

只允许使用干布及干刷进行附属装置清洁。

清洁时必须佩戴呼吸防护用具。

## 更换过滤器

定期检查过滤器是否发生损坏，如果发现损坏现象，应立即用新过滤器更换旧过滤器。

按照以下步骤更换过滤器。

1. 压下集尘盒释放按钮，保持按钮按下状态，以下侧轴为中心转动集尘盒。（图8）
2. 自附属装置上拆下集尘盒。
3. 使用一字螺丝刀，将其插入拆卸槽中，向上撬动，将过滤盖自集尘盒上拆下。（图9）
4. 用手拉动旧过滤器，将其自集尘盒上拆下。（图10）
5. 将新过滤器置于原过滤器位置。（图11）
6. 将过滤盖装回集尘盒。（图12）
7. 重新将集尘盒在附属装置上安装就位。（图13）

### 更换密封压盖（图14）

使用已磨损或损坏的密封压盖可导致除尘效果降低。

定期检查密封压盖。当密封压盖发生磨损或损坏时，应按以下步骤进行更换。

1. 用手将密封压盖自集尘系统上拆下。
2. 将新密封压盖装至集尘系统，确保其突出部分位于上侧。

为了保证产品的安全性和可靠性，任何其它的维护或调整工作都必须由Makita授权服务中心进行，且必须使用Makita备件。

### 故障排除

| 故障      | 可能的原因      | 纠正措施    |
|---------|------------|---------|
| 异常的灰尘排放 | 集尘盒已满。     | 清空集尘盒。  |
|         | 密封压盖磨损或损坏。 | 更换密封压盖。 |

### 选购附件

#### 注意：

- 建议本手册规定的Makita集尘系统使用这些选购附件。任何其它选购附件的使用可导致人身伤害危险。这些选购附件只能按照其指定用途使用。

如果您需要关于这些选购附件的更详细信息，请联系您当地的Makita服务中心。

- 集尘盒（带过滤器）
- 过滤器



**Makita Europe N.V.** Jan-Baptist Vinkstraat 2,  
3070 Kortenberg, Belgium

**Makita Corporation** 3-11-8, Sumiyoshi-cho,  
Anjo, Aichi 446-8502 Japan