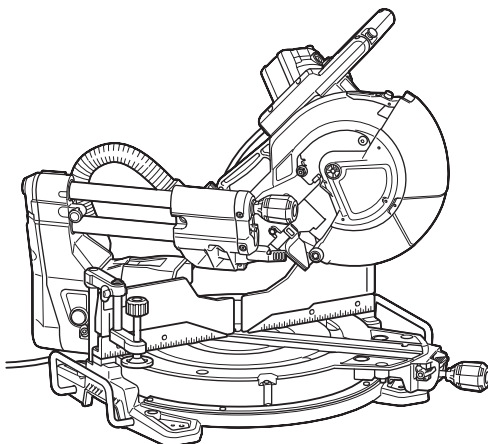




| | | | |
|----|---|-------------------------|-----|
| EN | Slide Compound Miter Saw | INSTRUCTION MANUAL | 14 |
| FR | Scie à Onglet Radiale | MANUEL D'INSTRUCTIONS | 28 |
| DE | Kapp- und Gehrungssäge | BETRIEBSANLEITUNG | 44 |
| IT | Troncatrice composita a slitta | ISTRUZIONI PER L'USO | 61 |
| NL | Schuifbare afkortverstekzaag | GEBRUIKSAANWIJZING | 78 |
| ES | Sierra de Inglete Telescópica | MANUAL DE INSTRUCCIONES | 95 |
| PT | Serra de Esquadria c/ Braço Telescópico | MANUAL DE INSTRUÇÕES | 112 |
| DA | Kombineret afkorter-geringsav | BRUGSANVISNING | 128 |
| EL | Ολισθαίνον πριόνι σύνθετης λοξότμησης | ΕΓΧΕΙΡΙΔΙΟ ΟΔΗΓΙΩΝ | 143 |
| TR | Kızaklı Birleşik Gönyeburun Testere | KULLANMA KILAVUZU | 161 |

LS1019
LS1019L



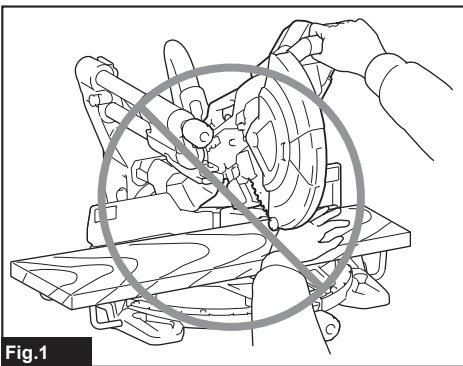


Fig.1

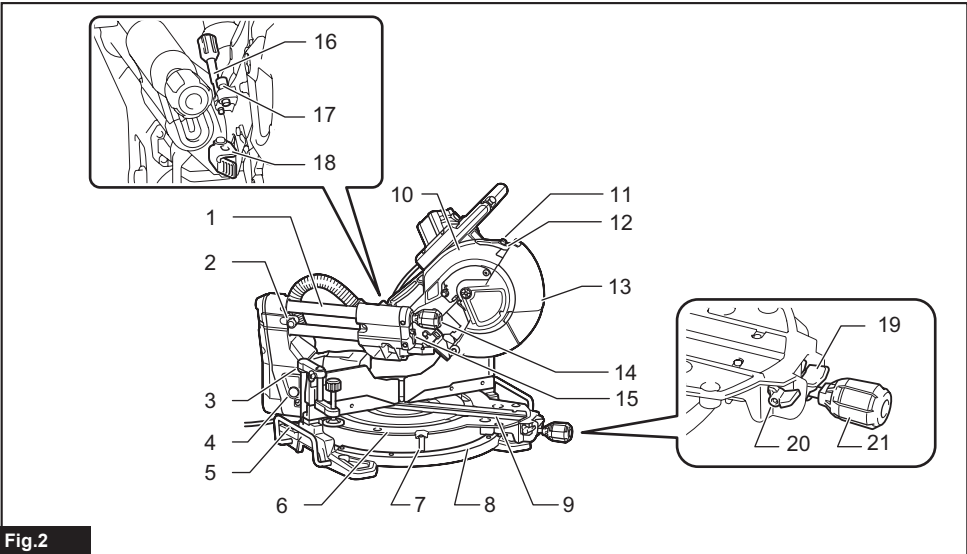
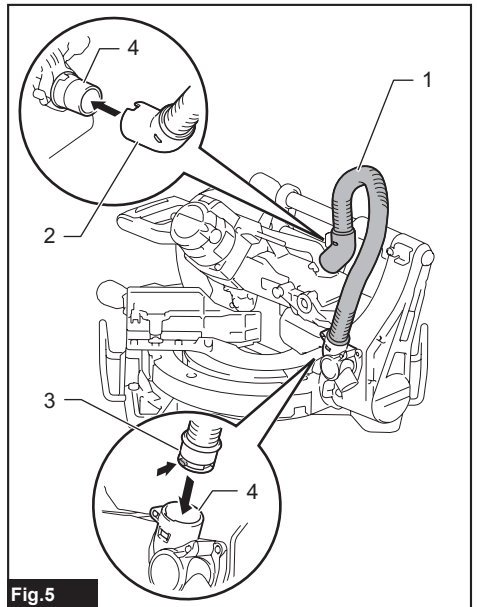
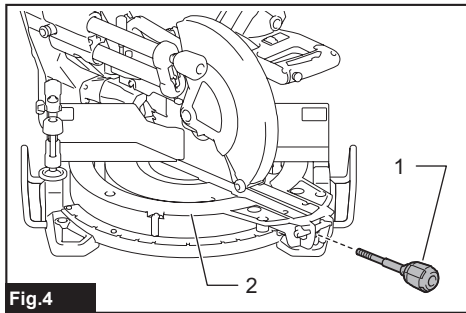
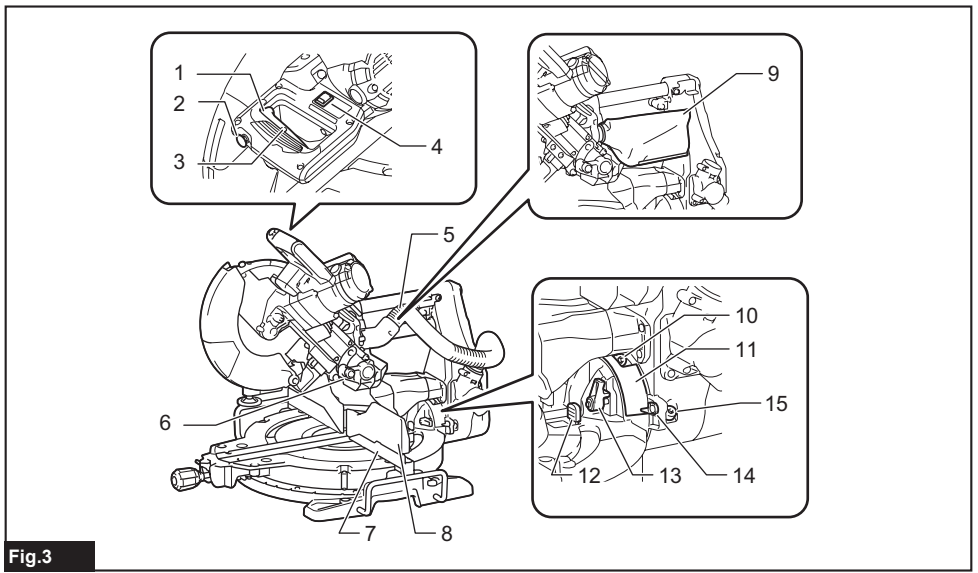


Fig.2



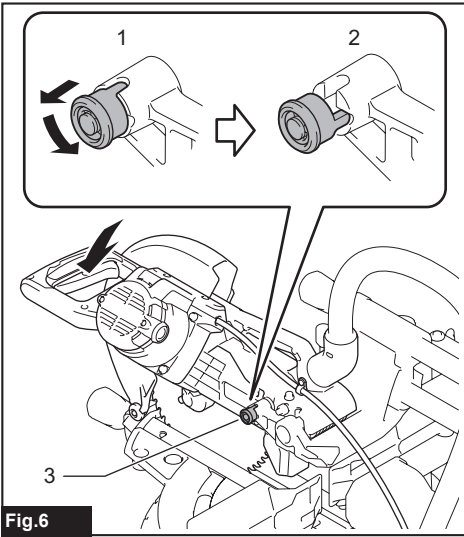


Fig.6

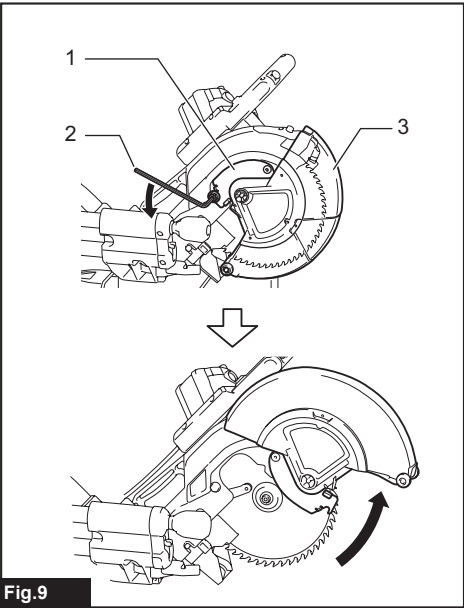


Fig.9

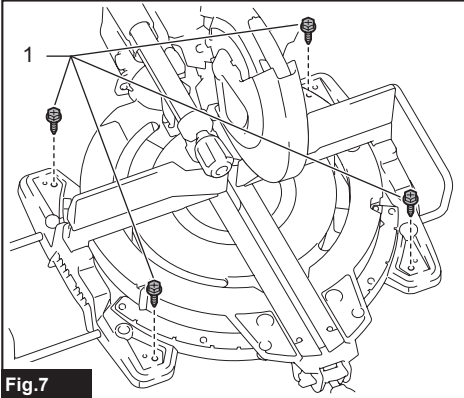


Fig.7

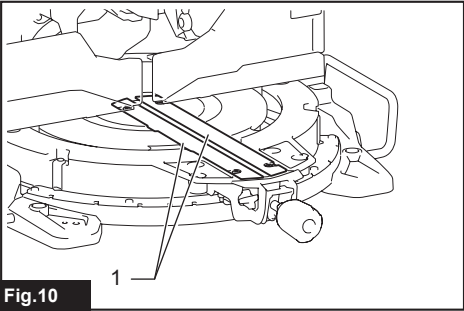


Fig.10

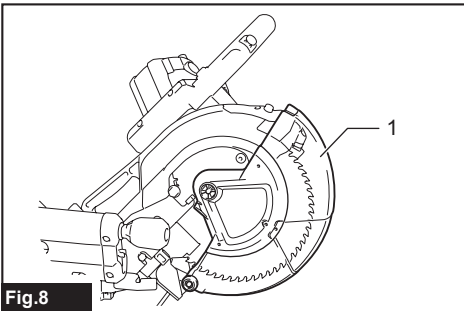


Fig.8

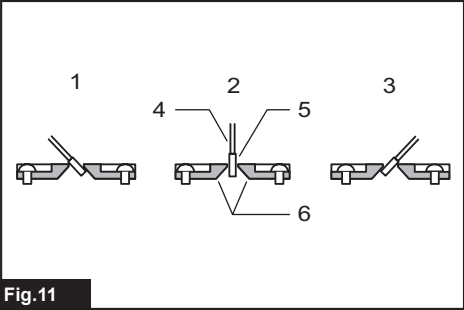


Fig.11

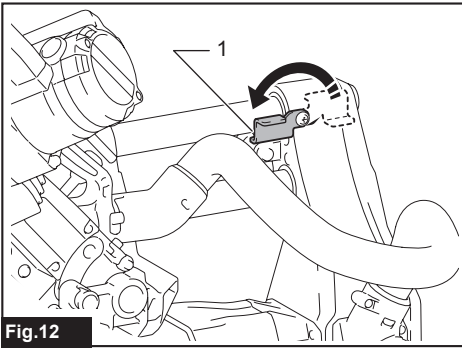


Fig.12

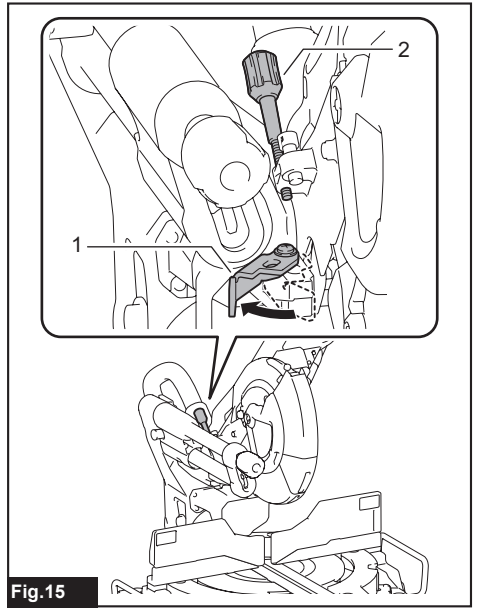


Fig.15

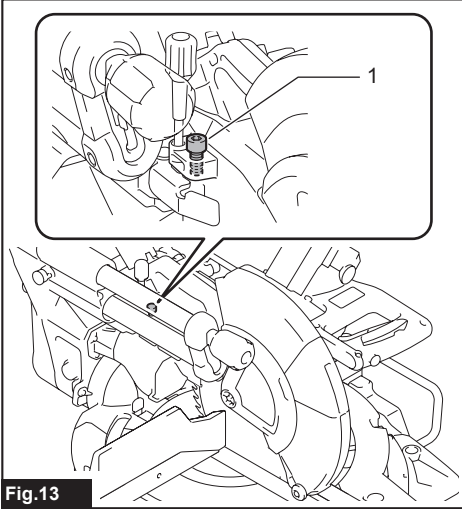


Fig.13

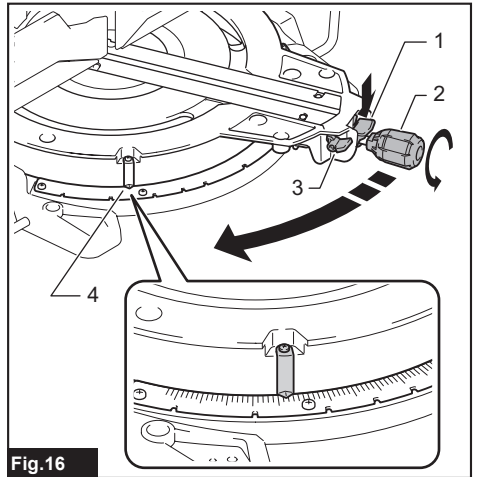


Fig.16

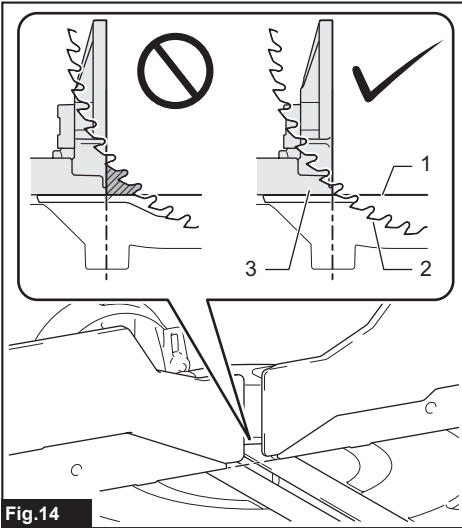


Fig.14

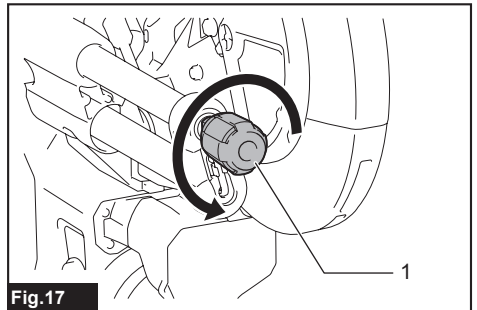


Fig.17

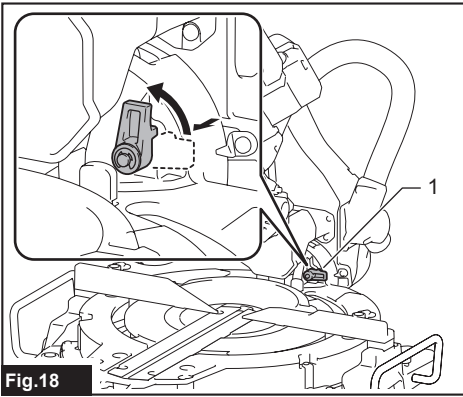


Fig.18

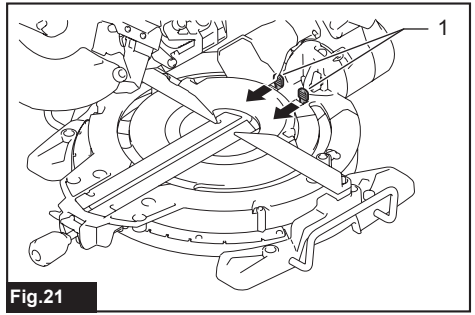


Fig.21

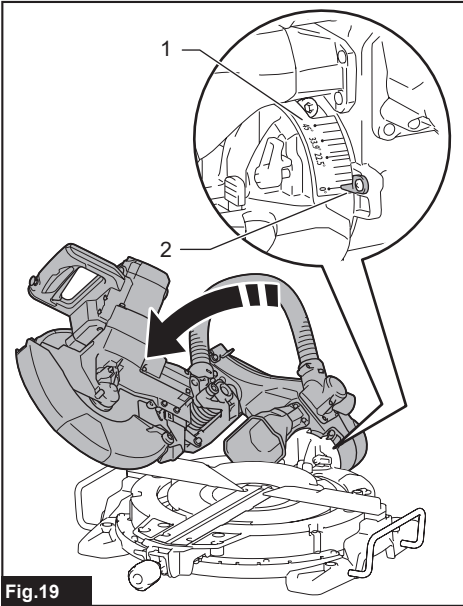


Fig.19

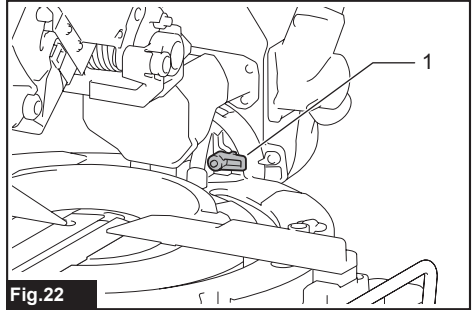


Fig.22

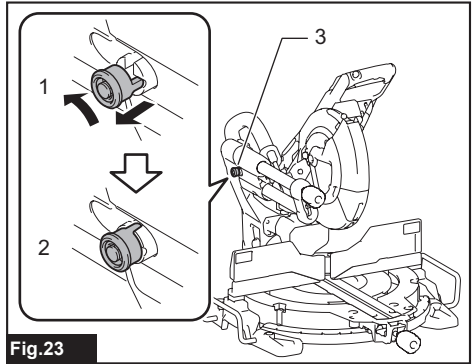


Fig.23

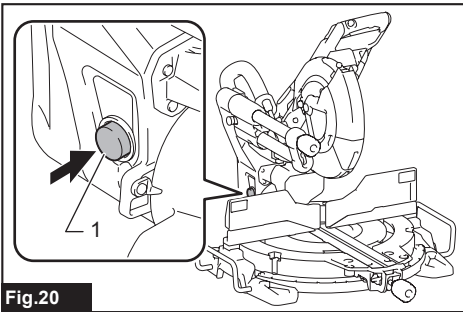


Fig.20

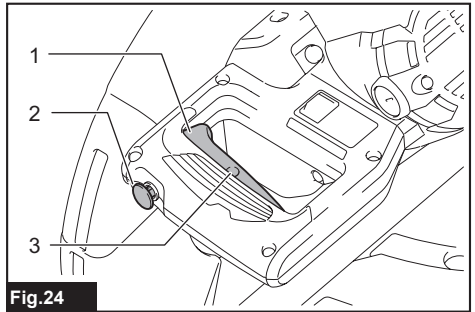


Fig.24

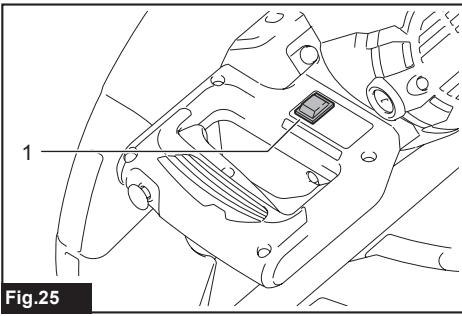


Fig.25

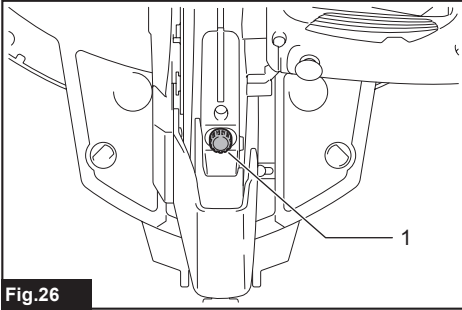


Fig.26

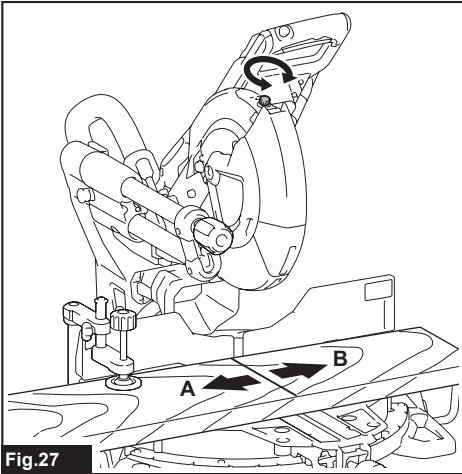


Fig.27

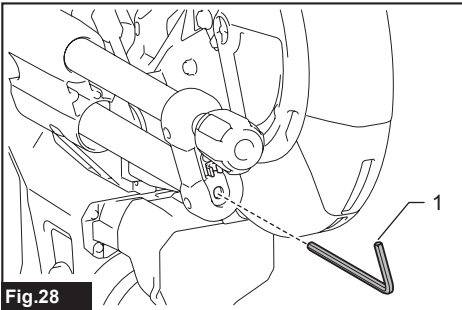


Fig.28

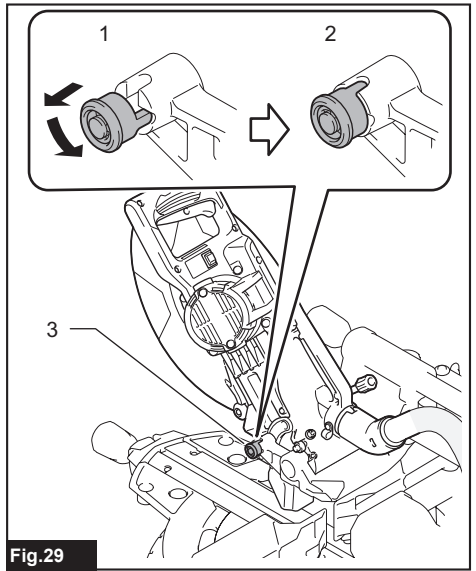


Fig.29

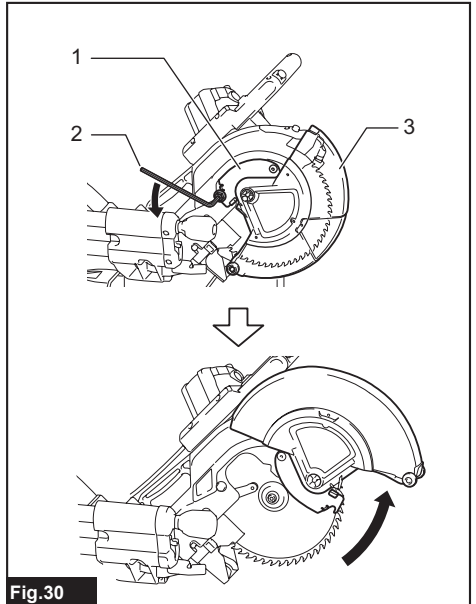


Fig.30

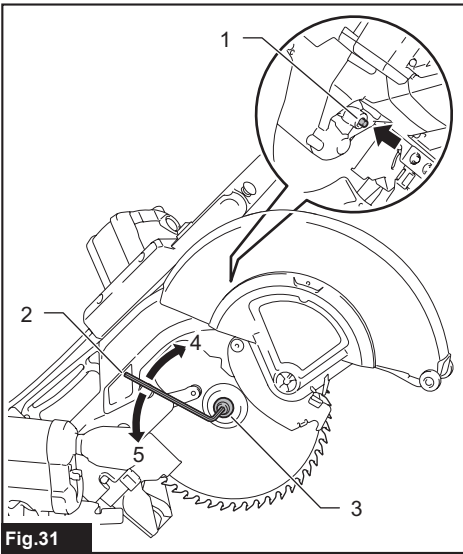


Fig.31

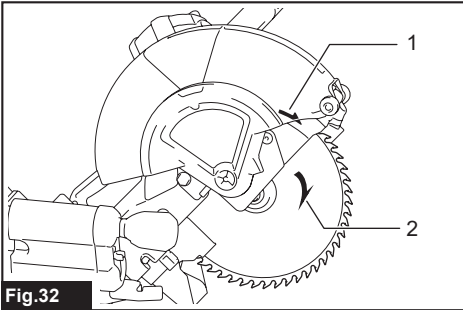


Fig.32

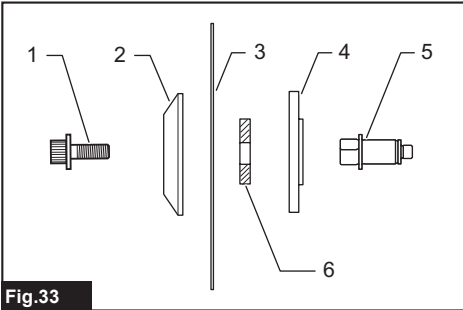


Fig.33

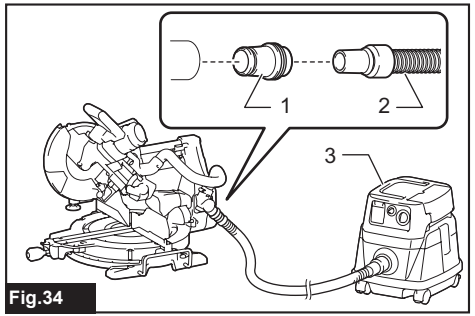


Fig.34

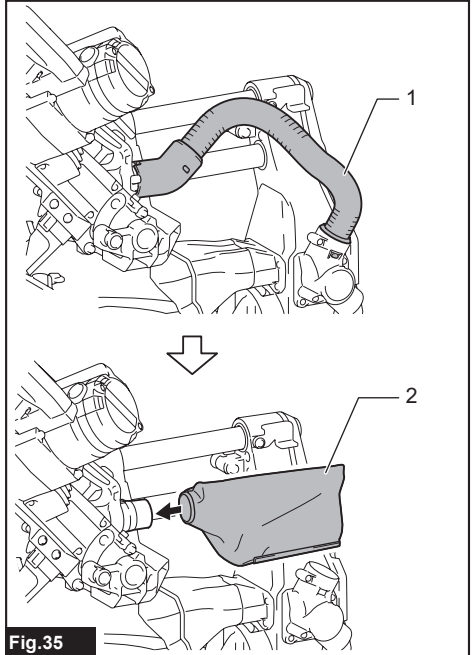


Fig.35

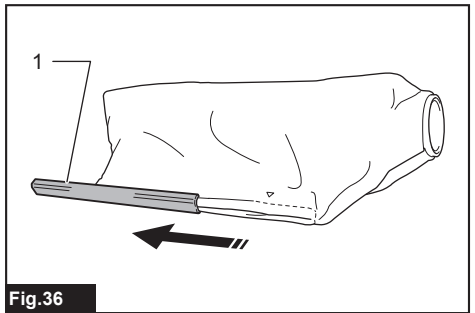


Fig.36

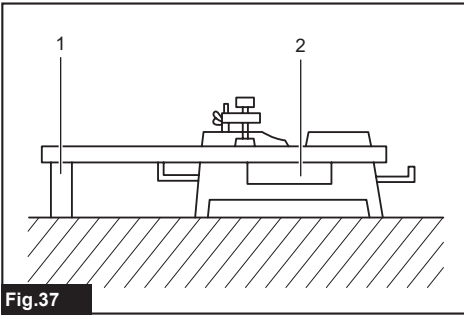


Fig.37

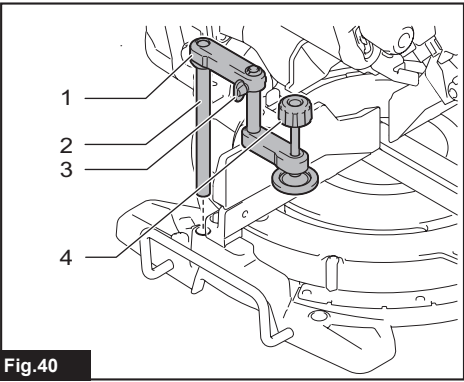


Fig.40

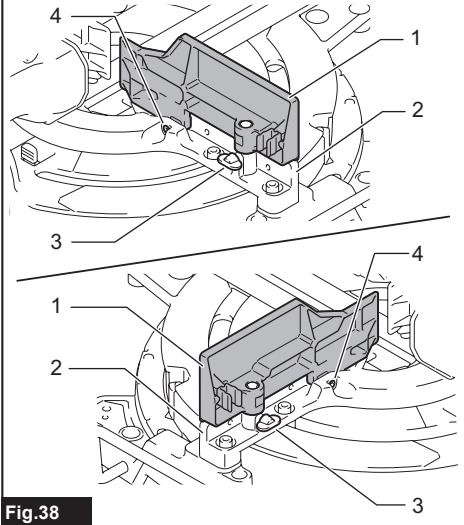


Fig.38

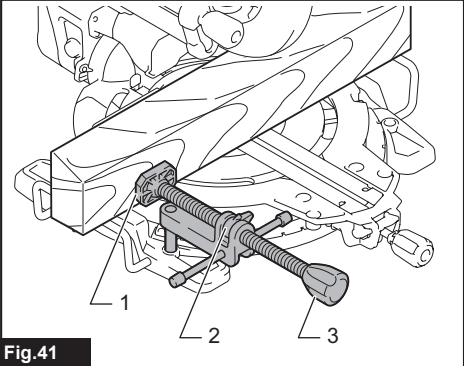


Fig.41

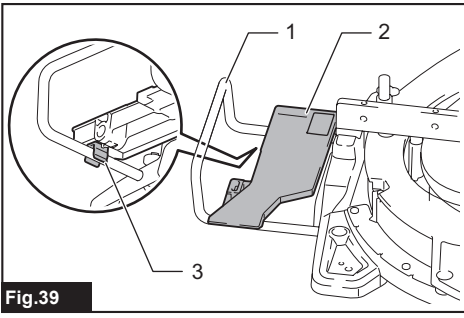


Fig.39

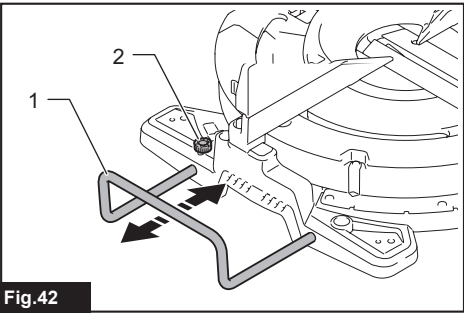


Fig.42

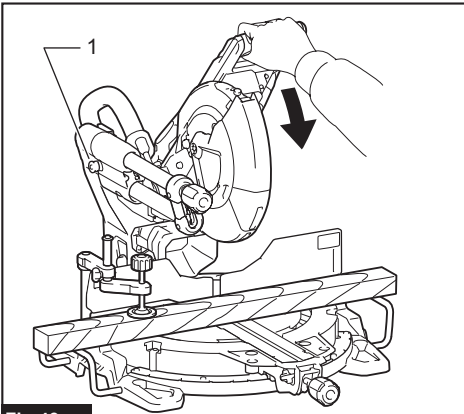


Fig.43

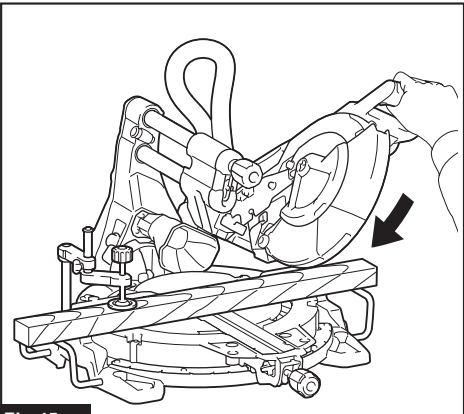


Fig.45

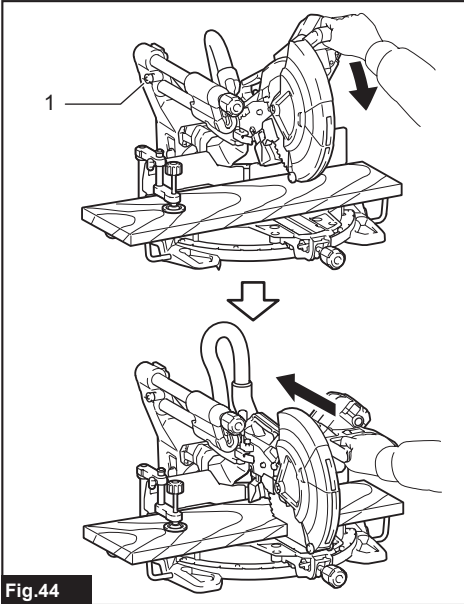


Fig.44

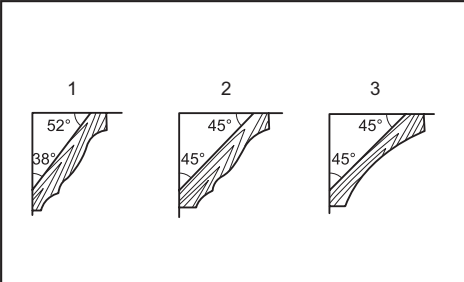


Fig.46

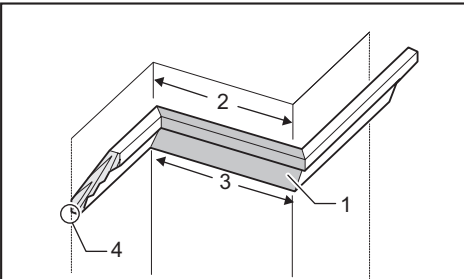


Fig.47

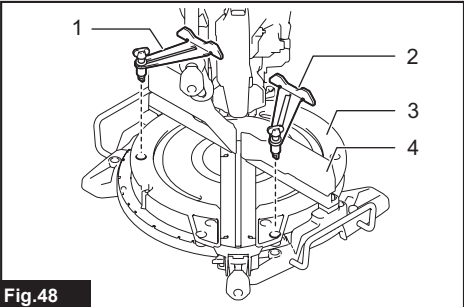


Fig.48

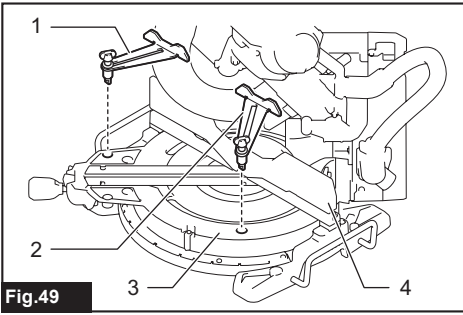


Fig.49

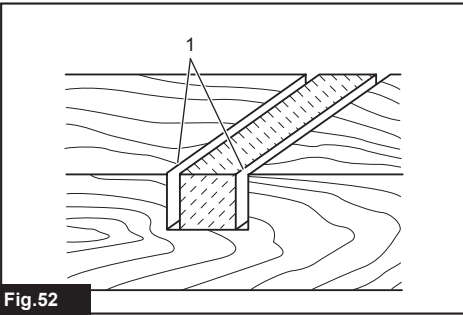


Fig.52

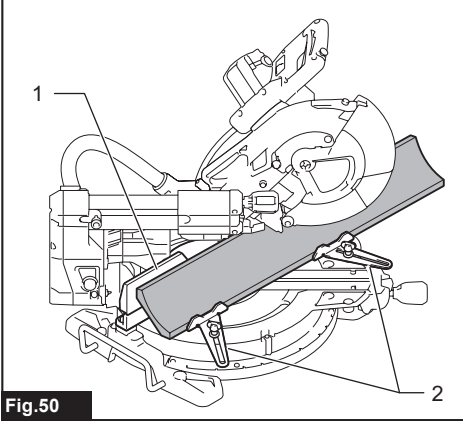


Fig.50

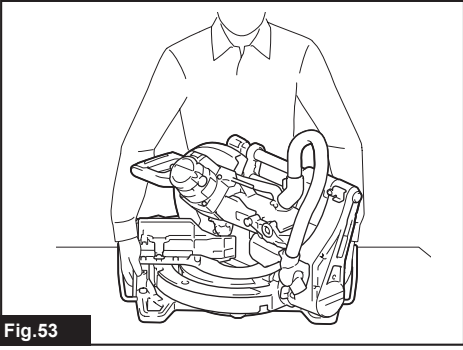


Fig.53

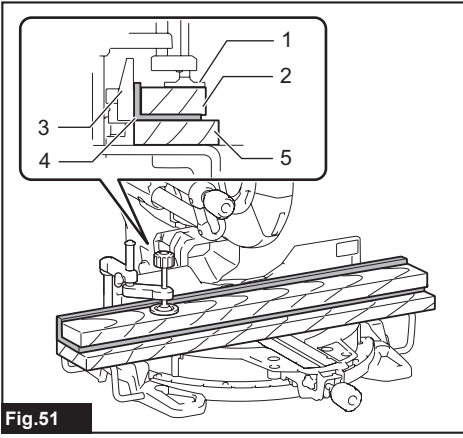


Fig.51

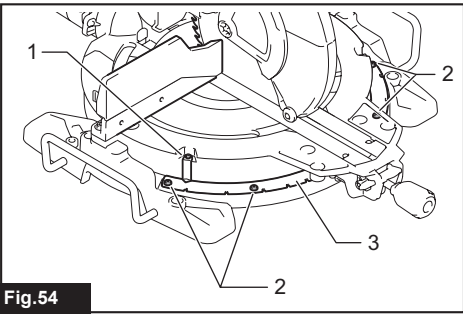


Fig.54

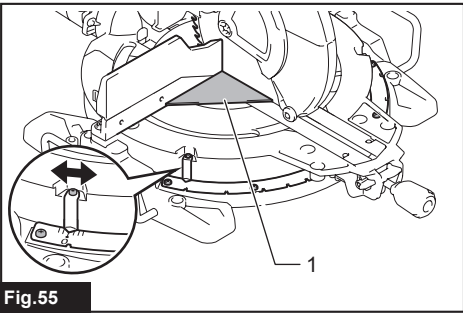


Fig.55

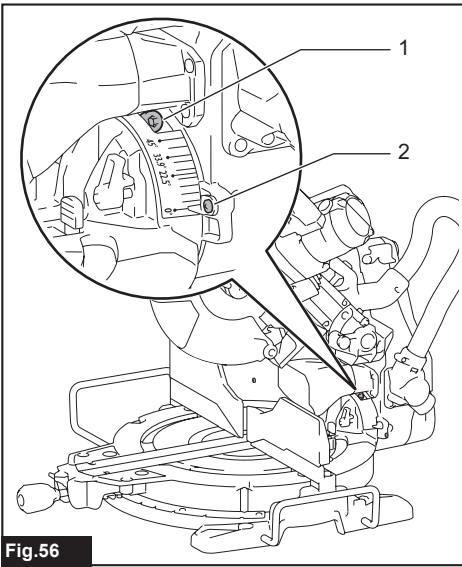


Fig.56

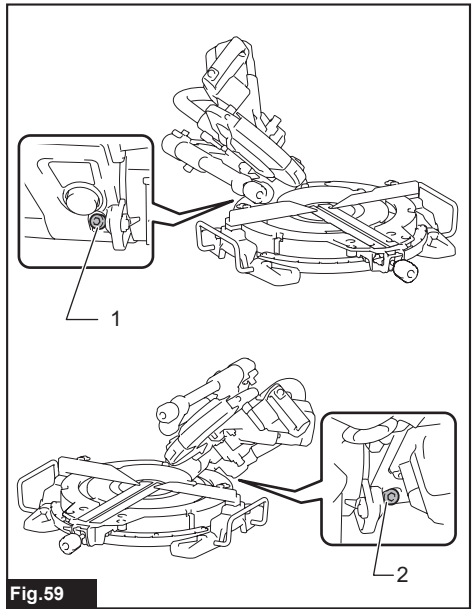


Fig.59

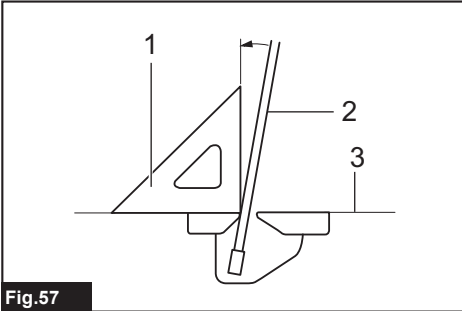


Fig.57

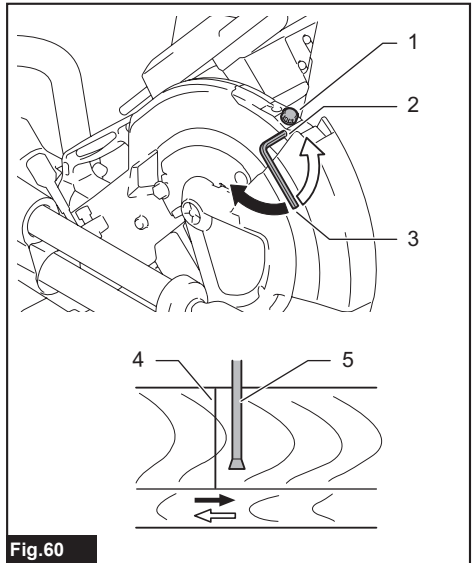


Fig.60

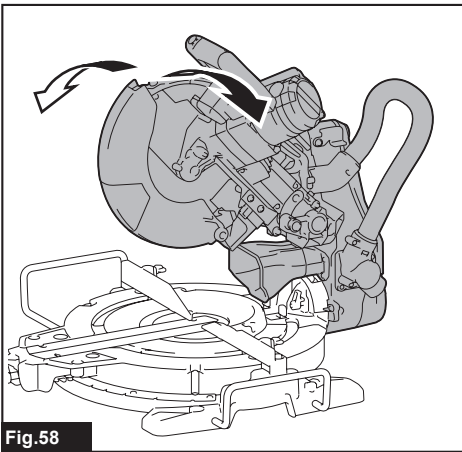
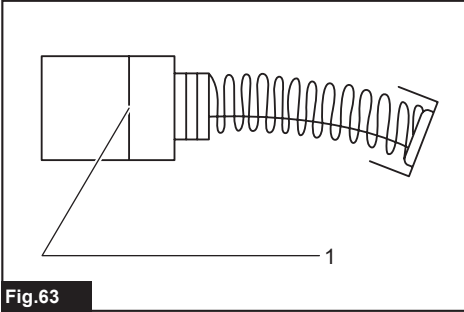
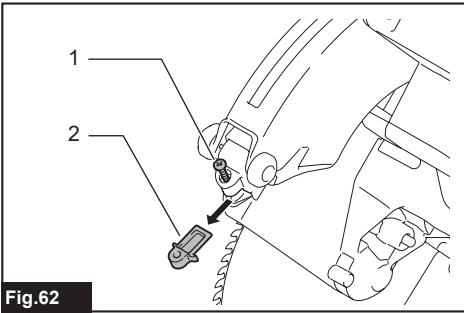
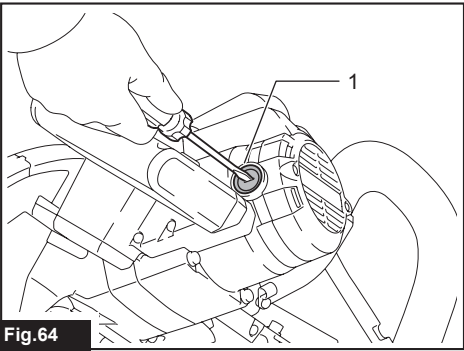
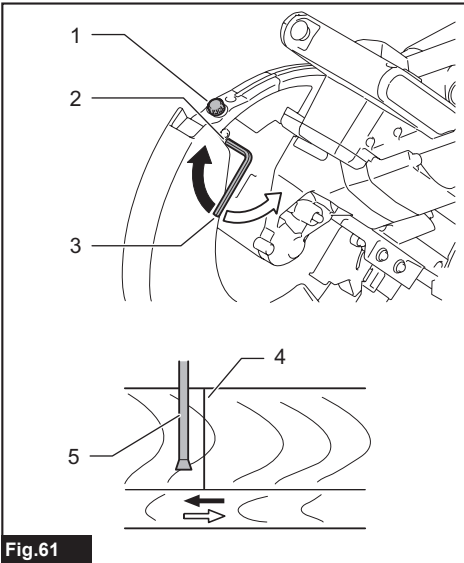


Fig.58



SPECIFICATIONS

| Model: | | LS1019 | LS1019L |
|--------------------------------------|-----------------------------|--------------------------|---|
| Blade diameter | European countries | 260 mm | |
| | Countries other than Europe | 255 mm - 260 mm | |
| Hole diameter | European countries | 30 mm | |
| | Countries other than Europe | 25.4 mm | |
| Max. kerf thickness of the saw blade | | 3.2 mm | |
| Max. miter angle | | Right 60°, Left 60° | |
| Max. bevel angle | | Right 48°, Left 48° | |
| No load speed (RPM) | | 3,200 min ⁻¹ | |
| Laser type | | - | Red Laser 650 nm, Maximum output < 1.6mW (Laser Class 2M) |
| Dimensions (L x W x H) | | 805 mm x 644 mm x 660 mm | |
| Net weight | | 26.1 kg | 26.3 kg |

Cutting capacities (H x W)

| Miter angle | Bevel angle | | |
|----------------------|----------------------------------|----------------------------------|----------------------------------|
| | 45° (left) | 0° | 45° (right) |
| 0° | 42 mm x 310 mm 58 mm x 279mm | 68 mm x 310 mm 91 mm x 279 mm | 29 mm x 310 mm 43 mm x 279 mm |
| 45° (right and left) | 42 mm x 218 mm 58 mm x 197 mm | 68 mm x 218 mm 91 mm x 197 mm | 29 mm x 218 mm 43 mm x 197 mm |
| 60° (right and left) | - | 68 mm x 155 mm 91 mm x 139 mm | - |




Cutting capacities for special cuttings





| Type of cutting | Cutting capacity |
|---|------------------|
| Crown molding 45° type (with crown molding stopper used) | 168 mm |
| Base board (with horizontal vise used) | 133 mm |

- Due to our continuing program of research and development, the specifications herein are subject to change without notice.
- Specifications may differ from country to country.
- Weight according to EPTA-Procedure 01/2014

Symbols

The following show the symbols used for the equipment. Be sure that you understand their meaning before use.

| | |
|--|---|
|  | Read instruction manual. |
|  | DOUBLE INSULATION |
|  | To avoid injury from flying debris, keep holding the saw head down, after making cuts, until the blade has come to a complete stop. |

| | |
|---|---|
|  | When performing slide cut, first pull carriage fully and press down handle, then push carriage toward the guide fence. |
|  | Do not place hand or fingers close to the blade. |
|  | Never look into the laser beam. Direct laser beam may injure your eyes. |
|  | Only for EU countries Do not dispose of electric equipment together with household waste material! In observance of the European Directive, on Waste Electric and Electronic Equipment and its implementation in accordance with national law, electric equipment that have reached the end of their life must be collected separately and returned to an environmentally compatible recycling facility. |

Intended use

The tool is intended for accurate straight and miter cutting in wood. With appropriate saw blades, aluminum can also be sawed.

Power supply

The tool should be connected only to a power supply of the same voltage as indicated on the nameplate, and can only be operated on single-phase AC supply. They are double-insulated and can, therefore, also be used from sockets without earth wire.

Noise

The typical A-weighted noise level determined according to EN62841:

Model LS1019

Sound pressure level (L_{pA}): 91 dB(A)

Sound power level (L_{WA}): 101 dB(A)

Uncertainty (K): 3 dB(A)

Model LS1019L

Sound pressure level (L_{pA}): 91 dB(A)

Sound power level (L_{WA}): 101 dB(A)

Uncertainty (K): 3 dB(A)

⚠ WARNING: Wear ear protection.

Vibration

The vibration total value (tri-axial vector sum) determined according to EN62841:

Model LS1019

Vibration emission (a_h): 2.5 m/s² or less

Uncertainty (K): 1.5 m/s²

Model LS1019L

Vibration emission (a_h): 2.5 m/s² or less

Uncertainty (K): 1.5 m/s²

NOTE: The declared vibration emission value has been measured in accordance with the standard test method and may be used for comparing one tool with another.

NOTE: The declared vibration emission value may also be used in a preliminary assessment of exposure.

⚠ WARNING: The vibration emission during actual use of the power tool can differ from the declared emission value depending on the ways in which the tool is used.

⚠ WARNING: Be sure to identify safety measures to protect the operator that are based on an estimation of exposure in the actual conditions of use (taking account of all parts of the operating cycle such as the times when the tool is switched off and when it is running idle in addition to the trigger time).

EC Declaration of Conformity

For European countries only

The EC declaration of conformity is included as Annex A to this instruction manual.

SAFETY WARNINGS

General power tool safety warnings

⚠ WARNING: Read all safety warnings, instructions, illustrations and specifications provided with this power tool. Failure to follow all instructions listed below may result in electric shock, fire and/or serious injury.

Save all warnings and instructions for future reference.

The term "power tool" in the warnings refers to your mains-operated (corded) power tool or battery-operated (cordless) power tool.

Safety instructions for mitre saws

- Mitre saws are intended to cut wood or wood-like products, they cannot be used with abrasive cut-off wheels for cutting ferrous material such as bars, rods, studs, etc.** Abrasive dust causes moving parts such as the lower guard to jam. Sparks from abrasive cutting will burn the lower guard, the kerf insert and other plastic parts.
- Use clamps to support the workpiece whenever possible. If supporting the workpiece by hand, you must always keep your hand at least 100 mm from either side of the saw blade. Do not use this saw to cut pieces that are too small to be securely clamped or held by hand.** If your hand is placed too close to the saw blade, there is an increased risk of injury from blade contact.
- The workpiece must be stationary and clamped or held against both the fence and the table. Do not feed the workpiece into the blade or cut "freehand" in any way.** Unrestrained or moving workpieces could be thrown at high speeds, causing injury.
- Push the saw through the workpiece. Do not pull the saw through the workpiece. To make a cut, raise the saw head and pull it out over the workpiece without cutting, start the motor, press the saw head down and push the saw through the workpiece.** Cutting on the pull stroke is likely to cause the saw blade to climb on top of the workpiece and violently throw the blade assembly towards the operator.
- Never cross your hand over the intended line of cutting either in front or behind the saw blade.** Supporting the workpiece "cross handed" i.e. holding the workpiece to the right of the saw blade with your left hand or vice versa is very dangerous.
▶ Fig.1
- Do not reach behind the fence with either hand closer than 100 mm from either side of the saw blade, to remove wood scraps, or for any other reason while the blade is spinning.** The proximity of the spinning saw blade to your hand may not be obvious and you may be seriously injured.

7. **Inspect your workpiece before cutting. If the workpiece is bowed or warped, clamp it with the outside bowed face toward the fence. Always make certain that there is no gap between the workpiece, fence and table along the line of the cut.** Bent or warped workpieces can twist or shift and may cause binding on the spinning saw blade while cutting. There should be no nails or foreign objects in the workpiece.
 8. **Do not use the saw until the table is clear of all tools, wood scraps, etc., except for the workpiece.** Small debris or loose pieces of wood or other objects that contact the revolving blade can be thrown with high speed.
 9. **Cut only one workpiece at a time.** Stacked multiple workpieces cannot be adequately clamped or braced and may bind on the blade or shift during cutting.
 10. **Ensure the mitre saw is mounted or placed on a level, firm work surface before use.** A level and firm work surface reduces the risk of the mitre saw becoming unstable.
 11. **Plan your work. Every time you change the bevel or mitre angle setting, make sure the adjustable fence is set correctly to support the workpiece and will not interfere with the blade or the guarding system.** Without turning the tool "ON" and with no workpiece on the table, move the saw blade through a complete simulated cut to assure there will be no interference or danger of cutting the fence.
 12. **Provide adequate support such as table extensions, saw horses, etc. for a workpiece that is wider or longer than the table top.** Workpieces longer or wider than the mitre saw table can tip if not securely supported. If the cut-off piece or workpiece tips, it can lift the lower guard or be thrown by the spinning blade.
 13. **Do not use another person as a substitute for a table extension or as additional support.** Unstable support for the workpiece can cause the blade to bind or the workpiece to shift during the cutting operation pulling you and the helper into the spinning blade.
 14. **The cut-off piece must not be jammed or pressed by any means against the spinning saw blade.** If confined, i.e. using length stops, the cut-off piece could get wedged against the blade and thrown violently.
 15. **Always use a clamp or a fixture designed to properly support round material such as rods or tubing.** Rods have a tendency to roll while being cut, causing the blade to "bite" and pull the work with your hand into the blade.
 16. **Let the blade reach full speed before contacting the workpiece.** This will reduce the risk of the workpiece being thrown.
 17. **If the workpiece or blade becomes jammed, turn the mitre saw off. Wait for all moving parts to stop and disconnect the plug from the power source and/or remove the battery pack. Then work to free the jammed material.** Continued sawing with a jammed workpiece could cause loss of control or damage to the mitre saw.
 18. **After finishing the cut, release the switch, hold the saw head down and wait for the blade to stop before removing the cut-off piece.** Reaching with your hand near the coasting blade is dangerous.
 19. **Hold the handle firmly when making an incomplete cut or when releasing the switch before the saw head is completely in the down position.** The braking action of the saw may cause the saw head to be suddenly pulled downward, causing a risk of injury.
 20. **Only use the saw blade with the diameter that is marked on the tool or specified in the manual.** Use of an incorrectly sized blade may affect the proper guarding of the blade or guard operation which could result in serious personal injury.
 21. **Only use the saw blades that are marked with a speed equal or higher than the speed marked on the tool.**
 22. **Do not use the saw to cut other than wood, aluminum or similar materials.**
 23. **(For European countries only)
Always use the blade which conforms to EN847-1.**
- Additional instructions**
1. **Make workshop kid proof with padlocks.**
 2. **Never stand on the tool.** Serious injury could occur if the tool is tipped or if the cutting tool is unintentionally contacted.
 3. **Never leave the tool running unattended. Turn the power off. Do not leave tool until it comes to a complete stop.**
 4. **Do not operate saw without guards in place. Check blade guard for proper closing before each use. Do not operate saw if blade guard does not move freely and close instantly. Never clamp or tie the blade guard into the open position.**
 5. **Keep hands out of path of saw blade. Avoid contact with any coasting blade. It can still cause severe injury.**
 6. **Never clamp or tie the blade guard into the open position.**
 7. **To reduce the risk of injury, return carriage to the full rear position after each crosscut operation.**
 8. **Always secure all moving portions before carrying the tool.**
 9. **Stopper pin which locks the cutter head down is for carrying and storage purposes only and not for any cutting operations.**
 10. **Check the blade carefully for cracks or damage before operation. Replace cracked or damaged blade immediately. Gum and wood pitch hardened on blades slows saw and increases potential for kickback. Keep blade clean by first removing it from tool, then cleaning it with gum and pitch remover, hot water or kerosene. Never use gasoline to clean blade.**
 11. **While making a slide cut, KICKBACK can occur. KICKBACK occurs when the blade binds in the workpiece during a cutting operation and the saw blade is driven rapidly towards the operator. Loss of control and serious personal injury can result. If blade begins to bind during a cutting operation, do not continue to cut and release switch immediately.**
 12. **Use only flanges specified for this tool.**
 13. **Be careful not to damage the arbor, flanges (especially the installing surface) or bolt. Damage to these parts could result in blade breakage.**
 14. **Make sure that the turn base is properly secured so it will not move during operation. Use the holes in the base to fasten the saw to a stable work platform or bench. NEVER use tool where operator positioning would be awkward.**

15. Make sure the shaft lock is released before the switch is turned on.
16. Be sure that the blade does not contact the turn base in the lowest position.
17. Hold the handle firmly. Be aware that the saw moves up or down slightly during start-up and stopping.
18. Make sure the blade is not contacting the workpiece before the switch is turned on.
19. Before using the tool on an actual workpiece, let it run for a while. Watch for vibration or wobbling that could indicate poor installation or a poorly balanced blade.
20. Stop operation immediately if you notice anything abnormal.
21. Do not attempt to lock the trigger in the "ON" position.
22. Always use accessories recommended in this manual. Use of improper accessories such as abrasive wheels may cause an injury.
23. Some material contains chemicals which may be toxic. Take caution to prevent dust inhalation and skin contact. Follow material supplier safety data.

Additional safety rules for the laser

1. **LASER RADIATION, DO NOT STARE INTO THE BEAM OR VIEW DIRECTLY WITH OPTICAL INSTRUMENTS, CLASS 2M LASER PRODUCT.**

SAVE THESE INSTRUCTIONS.

⚠ WARNING: DO NOT let comfort or familiarity with product (gained from repeated use) replace strict adherence to safety rules for the subject product. MISUSE or failure to follow the safety rules stated in this instruction manual may cause serious personal injury.

PARTS DESCRIPTION

► Fig.2

| | | | | | | | |
|----|---|----|------------------------------------|----|----------------------------------|----|---|
| 1 | Slide pole | 2 | Stopper pin (for carriage sliding) | 3 | Vertical vise | 4 | Releasing button (for right side bevel angle) |
| 5 | Holder | 6 | Turn base | 7 | Pointer (for miter angle) | 8 | Miter angle scale |
| 9 | Kerf board | 10 | Blade case | 11 | Adjusting screw (for laser line) | 12 | Range adjustment screw (for laser line) |
| 13 | Blade guard | 14 | Knob (for bevel angle) | 15 | Hex wrench | 16 | Adjusting screw (for lower limit position) |
| 17 | Adjusting bolt (for maximum cutting capacity) | 18 | Stopper arm | 19 | Lock lever (for turn base) | 20 | Releasing lever (for turn base) |
| 21 | Grip (for turn base) | - | - | - | - | - | - |

► Fig.3

| | | | | | | | |
|----|-------------------------------|----|---------------------------------------|----|--------------------------------------|----|---------------------------------------|
| 1 | Switch trigger | 2 | Lock-off button | 3 | Hole for padlock | 4 | Switch (for laser line) |
| 5 | Hose (for dust extraction) | 6 | Stopper pin (for carriage extraction) | 7 | Guide fence (lower elevation) | 8 | Guide fence (upper fence) |
| 9 | Dust bag | 10 | 0° adjusting bolt (for bevel angle) | 11 | Bevel angle scale | 12 | Releasing lever (for 48° bevel angle) |
| 13 | Latch lever (for bevel angle) | 14 | Pointer (for bevel angle) | 15 | 45° adjusting bolt (for bevel angle) | - | - |

INSTALLATION

Installing the grip

Screw the threaded shaft of the grip into the turn base.

► Fig.4: 1. Grip 2. Turn base

Installing the dust extraction hose

Connect the dust extraction hose to the tool as illustrated.

Make sure that the elbow and the sleeve fit properly to the ports of the tool.

► Fig.5: 1. Dust extraction hose 2. Elbow 3. Sleeve 4. Port

Bench mounting

When the tool is shipped, the handle is locked in the lowered position by the stopper pin. While lowering the handle slightly, pull the stopper pin and rotate it 90°.

► Fig.6: 1. Locked position 2. Unlocked position 3. Stopper pin

This tool should be bolted with four bolts to a level and stable surface using the bolt holes provided in the tool's base. This will help prevent tipping and possible injury.

► Fig.7: 1. Bolt

⚠ WARNING: Ensure that the tool will not move on the supporting surface. Movement of the miter saw on the supporting surface while cutting may result in loss of control and serious personal injury.

FUNCTIONAL DESCRIPTION

⚠ WARNING: Always be sure that the tool is switched off and unplugged before adjusting or checking function on the tool. Failure to switch off and unplug the tool may result in serious personal injury from accidental start-up.

Blade guard

► **Fig.8:** 1. Blade guard

When lowering the handle, the blade guard rises automatically. The guard is spring loaded so it returns to its original position when the cut is completed and the handle is raised.

⚠ WARNING: Never defeat or remove the blade guard or the spring which attaches to the guard. An exposed blade as a result of defeated guarding may result in serious personal injury during operation.

In the interest of your personal safety, always maintain the blade guard in good condition. Any irregular operation of the blade guard should be corrected immediately. Check to assure spring loaded return action of guard.

⚠ WARNING: Never use the tool if the blade guard or spring are damaged, faulty or removed. Operation of the tool with a damaged, faulty or removed guard may result in serious personal injury.

If the see-through blade guard becomes dirty, or sawdust adheres to it in such a way that the blade and/or workpiece is no longer easily visible, unplug the saw and clean the guard carefully with a damp cloth. Do not use solvents or any petroleum-based cleaners on the plastic guard because this may cause damage to the guard.

If the blade guard is especially dirty and vision through the guard is impaired, unplug the tool and use the supplied wrench to loosen the hex bolt holding the center cover. Loosen the hex bolt by turning it counterclockwise and raise the blade guard and center cover. With the blade guard so positioned, cleaning can be more completely and efficiently accomplished. When cleaning is complete, reverse procedure above and secure bolt. Do not remove spring holding blade guard. If guard becomes discolored through age or UV light exposure, contact a Makita service center for a new guard. **DO NOT DEFEAT OR REMOVE GUARD.**

► **Fig.9:** 1. Center cover 2. Hex wrench 3. Blade guard

Kerf boards

This tool is provided with the kerf boards in the turn base to minimize tearing on the exit side of a cut. The kerf boards are factory adjusted so that the saw blade does not contact the kerf boards. Before use, adjust the kerf boards as follows:

► **Fig.10:** 1. Kerf board

► **Fig.11:** 1. Left bevel cut 2. Straight cut 3. Right bevel cut 4. Saw blade 5. Blade teeth 6. Kerf board

First, unplug the tool. Loosen all the screws (2 each on left and right) securing the kerf boards until the kerf boards can still be easily moved by hand. Lower the handle fully, then pull and turn the stopper pin to lock the handle in the lowered position. Release the stopper pin on the sliding pole and pull the carriage toward you fully. Adjust the kerf boards so that the kerf boards just contact the sides of the blade teeth. Tighten the front screws (do not tighten firmly). Push the carriage toward the guide fence fully and adjust the kerf boards so that the kerf boards just contact the sides of blade teeth. Tighten the rear screws (do not tighten firmly).

After adjusting the kerf boards, release the stopper pin and raise the handle. Then tighten all the screws securely.

NOTICE: After setting the bevel angle ensure that the kerf boards are adjusted properly. Correct adjustment of the kerf boards will help provide proper support of the workpiece minimizing workpiece tear out.

Maintaining maximum cutting capacity

This tool is factory adjusted to provide the maximum cutting capacity for 255 mm or 260 mm saw blade.

When installing a new blade, always check the lower limit position of the blade and if necessary, adjust it as follows:

First, unplug the tool. Turn the stopper lever to engaged position.

► **Fig.12:** 1. Stopper lever

Push the carriage toward the guide fence fully and lower the handle completely.

Adjust the blade position by turning the adjusting bolt with the hex wrench. The periphery of the blade should extend slightly below the top surface of the turn base and also comes to the point where the front face of the guide fence meets the top surface of the turn base.

► **Fig.13:** 1. Adjusting bolt

► **Fig.14:** 1. Top surface of turn base 2. Periphery of blade 3. Guide fence

With the tool unplugged, rotate the blade by hand while holding the handle all the way down to be sure that the blade does not contact any part of the lower base. Re-adjust slightly, if necessary.

After adjustment, always return the stopper lever to the original position.

⚠ WARNING: After installing a new blade and with the tool unplugged, always be sure that the blade does not contact any part of the lower base when the handle is lowered completely. If a blade makes contact with the base it may cause kickback and result in serious personal injury.

Stopper arm

The lower limit position of the blade can be easily adjusted with the stopper arm. To adjust it, turn the stopper arm in the direction of the arrow as shown in the figure. Turn the adjusting screw so that the blade stops at the desired position when lowering the handle fully.

► **Fig.15:** 1. Stopper arm 2. Adjusting screw

Adjusting the miter angle

CAUTION: After changing the miter angle, always secure the turn base by tightening the grip firmly.

NOTICE: When turning the turn base, be sure to raise the handle fully.

- **Fig.16:** 1. Lock lever 2. Grip 3. Releasing lever 4. Pointer

Rotate the grip counterclockwise to unlock the turn base. Turn the grip while holding down the lock lever to move the turn base. Align the pointer with your desired angle on the scale then tighten the grip.

NOTE: If you depress the releasing lever, you can move the turn base without holding down the lock lever. Tighten the grip at your desired position.

This miter saw employs positive stop function. You can set 0°, 15°, 22.5°, 31.6°, 45°, and 60° right/left miter angle quickly. To use this function, move the turn base close to your desired positive stop angle while holding down the lock lever. Then release the lock lever and move the turn base forward until the turn base is locked.

Adjusting the bevel angle

NOTICE: Always remove the upper guide fences and vertical vise before adjusting the bevel angle.

NOTICE: When changing bevel angles, be sure to position the kerf boards appropriately as explained in the "Kerf boards" section.

NOTICE: When tilting the saw blade, be sure to raise the handle fully.

1. Turn the knob on the slide pole counterclockwise.

► **Fig.17:** 1. Knob

2. Pull and turn the latch lever to the position as illustrated.

► **Fig.18:** 1. Latch lever

3. Match the pointer with your desired angle on the scale by moving the carriage then tighten the knob.

► **Fig.19:** 1. Bevel angle scale 2. Pointer

To tilt the carriage to the right, tilt the carriage to the left slightly and then tilt it to the right while pressing down the releasing button.

► **Fig.20:** 1. Releasing button

If you perform a bevel cut greater than 45°, move the carriage while sliding the releasing lever toward the front of the tool. You can perform up to 48° bevel cut.

► **Fig.21:** 1. Releasing lever

This miter saw employs positive stop function. You can set 22.5° and 33.9° angle to both right and left quickly. Set the latch lever in the position as illustrated and tilt the carriage. To change the angle, pull the latch lever and tilt the carriage.

► **Fig.22:** 1. Latch lever

CAUTION: After changing the bevel angle, always secure the knob.

Slide lock

To lock the sliding movement of the carriage, push the carriage toward the guide fence until it stops. Pull the stopper pin and rotate it 90°.

- **Fig.23:** 1. Unlocked position 2. Locked position 3. Stopper pin

Switch action

WARNING: Before plugging in the tool, always check to see that the switch trigger actuates properly and returns to the "OFF" position when released. Do not pull the switch trigger hard without pressing in the lock-off button. This can cause switch breakage. Operating a tool with a switch that does not actuate properly can lead to loss of control and serious personal injury.

WARNING: NEVER use tool without a fully operative switch trigger. Any tool with an inoperative switch is HIGHLY DANGEROUS and must be repaired before further usage or serious personal injury may occur.

WARNING: NEVER defeat the lock-off button by taping down or some other means. A switch with a negated lock-off button may result in unintentional operation and serious personal injury.

WARNING: NEVER use the tool if it runs when you simply pull the switch trigger without pressing the lock-off button. A switch in need of repair may result in unintentional operation and serious personal injury. Return tool to a Makita service center for proper repairs BEFORE further usage.

- **Fig.24:** 1. Switch trigger 2. Lock-off button 3. Hole for padlock

To prevent the switch trigger from being accidentally pulled, a lock-off button is provided. To start the tool, press in the lock-off button and pull the switch trigger. Release the switch trigger to stop.

A hole is provided in the switch trigger for insertion of a padlock to lock the tool off.

WARNING: Do not use a lock with a shank or cable any smaller than 6.35 mm (1/4") in diameter. A smaller shank or cable may not properly lock the tool in the off position and unintentional operation may occur resulting in serious personal injury.

Electronic function

Constant speed control

The tool is provided with an electronic speed control which helps maintain a constant blade rotation speed even under load. A constant blade rotation speed will result in a very smooth cut.

Soft start feature

This function allows the smooth start-up of the tool by limiting the start-up torque.

Laser beam action

For model LS1019L only

CAUTION: Never look into the laser beam. Direct laser beam may injure your eyes.

To turn on the laser beam, press the upper position (1) of the switch. To turn off the laser beam, press the lower position (0) of the switch

► **Fig.25:** 1. Switch for laser

Laser line can be shifted to either the left or right side of the saw blade by turning the adjusting screw as follows.

► **Fig.26:** 1. Adjusting screw

1. Loosen the adjusting screw by turning it counterclockwise.
2. With the adjusting screw loosened, slide the adjusting screw to the right or left as far as it goes.
3. Tighten the adjusting screw firmly at the position where it stops sliding.

NOTE: Laser line is factory adjusted so that it is positioned within 1 mm from the side surface of the blade (cutting position).

NOTE: When laser line appears dim and hard to see because of direct sunlight, relocate the work area to a place where there is less direct sunlight.

Aligning the laser line

Align the cutting line on your workpiece with the laser line.

► **Fig.27**

A) When you want to obtain the correct size on the left side of workpiece, shift the laser line to the left of the blade.

B) When you want to obtain the correct size on the right side of workpiece, shift the laser line to the right of the blade.

NOTE: Use wood facing against the guide fence when aligning the cutting line with the laser line at the side of guide fence in compound cutting (bevel angle 45° and miter angle right 45°).

ASSEMBLY

WARNING: Always be sure that the tool is switched off and unplugged before working on the tool. Failure to switch off and unplug the tool may result in serious personal injury.

Hex wrench storage

When not in use, store the hex wrench as shown in the figure to keep it from being lost.

► **Fig.28:** 1. Hex wrench

Removing and installing saw blade

WARNING: Always be sure that the tool is switched off and unplugged before installing or removing the blade. Accidental start up of the tool may result in serious personal injury.

WARNING: Use only the Makita wrench provided to install or remove the blade. Failure to use the wrench may result in overtightening or insufficient tightening of the hex socket bolt and serious personal injury.

Always lock the carriage with raised position when removing and installing the blade. Pull the stopper pin and rotate it 90° with the carriage raised.

► **Fig.29:** 1. Unlocked position 2. Locked position 3. Stopper pin

Removing the blade

Loosen the hex bolt holding the center cover using the hex wrench. Raise the blade guard and center cover.

► **Fig.30:** 1. Center cover 2. Hex wrench 3. Blade guard

Press the shaft lock to lock the spindle and use the hex wrench to loosen the hex socket bolt. Then remove the hex socket bolt, outer flange and blade.

► **Fig.31:** 1. Shaft lock 2. Hex wrench 3. Hex socket bolt (left-handed) 4. Loosen 5. Tighten

Installing the blade

Mount the blade carefully onto the spindle, making sure that the direction of the arrow on the surface of the blade matches the direction of the arrow on the blade case.

► **Fig.32:** 1. Arrow on the blade case 2. Arrow on the blade

Install the outer flange and hex socket bolt. Tighten the hex socket bolt counterclockwise using the hex wrench while pressing the shaft lock.

► **Fig.33:** 1. Hex socket bolt 2. Outer flange 3. Saw blade 4. Inner flange 5. Spindle 6. Ring

NOTICE: If the inner flange is removed, be sure to install it on the spindle with its protrusion facing away from the blade. If the flange is installed incorrectly, the flange will rub against the machine.

Return the blade guard and center cover to its original position. Then tighten the hex bolt clockwise to secure the center cover. Unlock the stopper pin to release carriage from the raised position. Lower the handle to make sure that the blade guard moves properly. Make sure shaft lock has released spindle before making cut.

WARNING: Before mounting the blade onto the spindle, always be sure that the correct ring for the blade's arbor hole you intend to use is installed between the inner and the outer flanges. Use of the incorrect arbor hole ring may result in the improper mounting of the blade causing blade movement and severe vibration resulting in possible loss of control during operation and in serious personal injury.

Connecting a vacuum cleaner

When you wish to perform clean cutting operation, connect a Makita vacuum cleaner to the dust nozzle using a front cuffs 24 (optional accessory).

► **Fig.34:** 1. Front cuffs 24 2. Hose 3. Vacuum cleaner

Dust bag

The use of the dust bag makes cutting operations clean and dust collection easy. To attach the dust bag, remove the dust extraction hose on the tool and connect the dust bag.

► **Fig.35:** 1. Dust extraction hose 2. Dust bag

When the dust bag is about half full, remove the dust bag from the tool and pull the fastener out. Empty the dust bag of its contents, tapping it lightly so as to remove particles adhering to the insides which might hamper further collection.

► **Fig.36:** 1. Fastener

Securing workpiece

⚠WARNING: It is extremely important to always secure the workpiece correctly with the proper type of vise or crown molding stoppers. Failure to do so may result in serious personal injury and cause damage to the tool and/or the workpiece.

⚠WARNING: After a cutting operation do not raise the blade until it has come to a complete stop. The raising of a coasting blade may result in serious personal injury and damage to the workpiece.

⚠WARNING: When cutting a workpiece that is longer than the support base of the saw, the material should be supported the entire length beyond the support base and at the same height to keep the material level. Proper workpiece support will help avoid blade pinch and possible kickback which may result in serious personal injury. Do not rely solely on the vertical vise and/or horizontal vise to secure the workpiece. Thin material tends to sag. Support workpiece over its entire length to avoid blade pinch and possible KICKBACK.

► **Fig.37:** 1. Support 2. Turn base

Guide fences

⚠WARNING: Before operating the tool, make sure that the upper fence is secured firmly.

⚠WARNING: Before bevel-cutting, make sure that no part of the tool, especially the blade, contacts the upper and lower fences when fully lowering and raising the handle in any position and while moving the carriage through its full range of travel. If the tool or blade makes contact with the fence this may result in kickback or unexpected movement of the material and serious personal injury.

Use upper fences to support the material higher than the lower fences. Insert the upper fence into the hole on the lower fence and tighten the clamping screw.

► **Fig.38:** 1. Upper fence 2. Lower fence 3. Clamping screw 4. Adjusting screw

NOTICE: The lower fences are fixed to the base in the factory. Do not remove the lower fences.

NOTICE: If the upper fence is still loose after tightening the clamping screw, turn the adjusting screw to close a gap. The adjusting screw is factory adjusted. You don't need to use it unless needed.

You can store the upper fences onto the holder when not in use. Use the clip on the upper fence to hold it on the holder.

► **Fig.39:** 1. Holder 2. Upper fence 3. Clip

Vertical vise

⚠WARNING: The workpiece must be secured firmly against the turn base and guide fence with the vise during all operations. If the workpiece is not properly secured against the fence the material may move during the cutting operation causing possible damage to the blade, causing the material to be thrown and loss of control resulting in serious personal injury.

► **Fig.40:** 1. Vise arm 2. Vise rod 3. Clamping screw 4. Vise knob

The vertical vise can be installed in two positions on either the left or right side of the base. Insert the vise rod into the hole in the base.

Position the vise arm according to the thickness and shape of the workpiece and secure the vise arm by tightening the screw. If the clamping screw contacts the carriage, install it on the opposite side of vise arm. Make sure that no part of the tool contacts the vise when lowering the handle all the way. If some part contacts the vise, re-position the vise.

Press the workpiece flat against the guide fence and the turn base. Position the workpiece at the desired cutting position and secure it firmly by tightening the vise knob.

NOTE: For a quick setting of workpiece, turning the vise knob to 90° counterclockwise allows the vise knob to be moved up and down. To secure the workpiece after setting, turn the vise knob clockwise.

Horizontal vise

Optional accessory

⚠WARNING: Always rotate the vise nut clockwise until the workpiece is properly secured. If the workpiece is not properly secured the material may move during the cutting operation causing possible damage to the blade, causing the material to be thrown and loss of control resulting in serious personal injury.

⚠WARNING: When cutting a thin workpiece, such as base boards, against the fence, always use the horizontal vise.

The horizontal vise can be installed in two positions on either the left or right side of the base. When performing 22.5° or greater miter cuts, install the horizontal vise on the side opposite the direction in which the turn base is to be turned.

► **Fig.41:** 1. Vise plate 2. Vise nut 3. Vise knob

By flipping the vise nut counterclockwise, the vise is released, and rapidly moves in and out. To grip the workpiece, push the vise knob forward until the vise plate contacts the workpiece and flip the vise nut clockwise. Then turn the vise knob clockwise to secure the workpiece.

NOTE: The maximum width of workpiece which can be secured by the horizontal vise is 228 mm.

Holders

⚠ WARNING: Always support a long workpiece so it is level with the top surface of the turn base for an accurate cut and to prevent dangerous loss of tool control. Proper workpiece support will help avoid blade pinch and possible kickback which may result in serious personal injury.

To hold long workpieces horizontally, holders are provided on both sides of the tool. Loosen the screws and extend the holders to the appropriate length for holding the workpiece. Then tighten the screws.

► **Fig.42:** 1. Holder 2. Screw

OPERATION

⚠ WARNING: Make sure the blade is not contacting the workpiece, etc. before the switch is turned on. Turning the tool on with the blade in contact with the workpiece may result in kickback and serious personal injury.

⚠ WARNING: After a cutting operation, do not raise the blade until it has come to a complete stop. The raising of a coasting blade may result in serious personal injury and damage to the workpiece.

⚠ WARNING: Do not perform any adjustment such as turning grip, knob, and levers on the tool while the blade is rotating. Adjustment while the blade is rotating may result in serious personal injury.

NOTICE: Before use, be sure to unlock the stopper pin and release the handle from the lowered position.

NOTICE: Do not apply excessive pressure on the handle when cutting. Too much force may result in overload of the motor and/or decreased cutting efficiency. Press down handle with only as much force as necessary for smooth cutting and without significant decrease in blade speed.

NOTICE: Gently press down the handle to perform the cut. If the handle is pressed down with force or if lateral force is applied, the blade may vibrate and leave a mark (saw mark) in the workpiece and the precision of the cut may be impaired.

NOTICE: During a slide cut, gently push the carriage toward the guide fence without stopping. If the carriage movement is stopped during the cut, a mark will be left in the workpiece and the precision of the cut will be impaired.

Press cutting

⚠ WARNING: Always lock the sliding movement of the carriage when performing a press cutting. Cutting without lock may cause possible kickback which may result in serious personal injury.

Workpieces up to 68 mm high and 160 mm wide can be cut in the following manner.

► **Fig.43:** 1. Stopper pin

1. Push the carriage toward the guide fence until it stops and lock it with the stopper pin.
2. Secure the workpiece with the proper type of vise.
3. Switch on the tool without the blade making any contact and wait until the blade attains full speed before lowering.
4. Gently lower the handle to the fully lowered position to cut the workpiece.
5. When the cut is completed, switch off the tool and wait until the blade has come to a complete stop before returning the blade to its fully elevated position.

Slide (push) cutting (cutting wide workpieces)

⚠ WARNING: Whenever performing a slide cut, first pull the carriage full towards you and press the handle all the way down, then push the carriage toward the guide fence. Never start the cut with the carriage not pulled fully toward you. If you perform the slide cut without the carriage pulled fully toward you unexpected kickback may occur and serious personal injury may result.

⚠ WARNING: Never attempt to perform a slide cut by pulling the carriage towards you. Pulling the carriage towards you while cutting may cause unexpected kickback resulting in possible serious personal injury.

⚠ WARNING: Never perform the slide cut with the handle locked in the lowered position.

► **Fig.44:** 1. Stopper pin

1. Unlock the stopper pin so that the carriage can slide freely.
2. Secure the workpiece with the proper type of vise.
3. Pull the carriage toward you fully.
4. Switch on the tool without the blade making any contact and wait until the blade attains full speed.
5. Press the handle down and push the carriage toward the guide fence and through the workpiece.
6. When the cut is completed, switch off the tool and wait until the blade has come to a complete stop before returning the blade to its fully elevated position.

Miter cutting

Refer to the previously covered "Adjusting the miter angle".

Bevel cut

⚠ WARNING: After setting the blade for a bevel cut, ensure that the carriage and blade will have free travel throughout the entire range of the intended cut before operating the tool. Interruption of the carriage or blade travel during the cutting operation may result in kickback and serious personal injury.

⚠ WARNING: While making a bevel cut keep hands out of the path of the blade. The angle of the blade may confuse the operator as to the actual blade path while cutting and contact with the blade will result in serious personal injury

⚠ WARNING: The blade should not be raised until it has come to a complete stop. During a bevel cut the piece cut off may come to rest against the blade. If the blade is raised while it is rotating the cut-off piece maybe ejected by the blade causing the material to fragment which may result in serious personal injury.

NOTICE: When pressing down the handle, apply pressure in parallel with the blade. If a force is applied perpendicularly to the turn base or if the pressure direction is changed during a cut, the precision of the cut will be impaired.

► Fig.45

1. Remove the upper fence on the side that you are going to tilt the carriage.
2. Unlock the stopper pin.
3. Adjust the bevel angle according to the procedure explained in the "Adjusting the bevel angle" section. Then tighten the knob.
4. Secure the workpiece with a vise.
5. Pull the carriage toward you fully.
6. Switch on the tool without the blade making any contact and wait until the blade attains full speed.
7. Gently lower the handle to the fully lowered position while applying pressure in parallel with the blade and **push the carriage toward the guide fence to cut the workpiece.**
8. When the cut is completed, switch off the tool and **wait until the blade has come to a complete stop** before returning the blade to its fully elevated position.

Compound cutting

Compound cutting is the process in which a bevel angle is made at the same time in which a miter angle is being cut on a workpiece. Compound cutting can be performed at the angle shown in the table.

| Miter angle | Bevel angle |
|-------------------------|-------------------------|
| Left and Right 0° - 45° | Left and Right 0° - 45° |

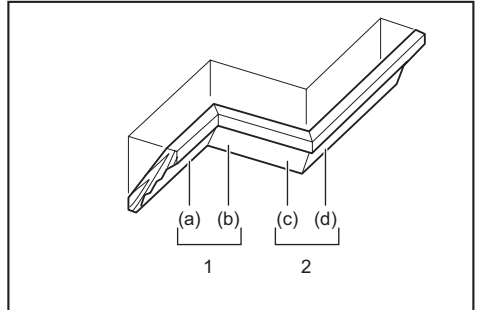
When performing compound cutting, refer to "Press cutting", "Slide (push) cutting", "Miter cutting" and "Bevel cut" explanations

Cutting crown and cove moldings

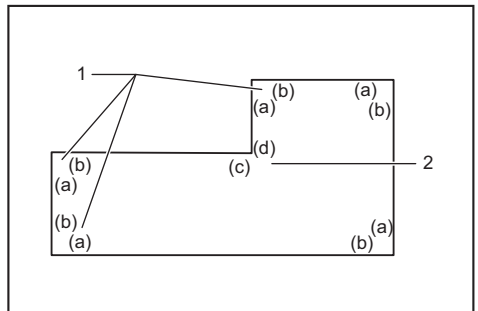
Crown and cove moldings can be cut on a compound miter saw with the moldings laid flat on the turn base. There are two common types of crown moldings and one type of cove moldings; 52/38° wall angle crown molding, 45° wall angle crown molding and 45° wall angle cove molding.

► **Fig.46:** 1. 52/38° type crown molding 2. 45° type crown molding 3. 45° type cove molding

There are crown and cove molding joints which are made to fit "Inside" 90° corners ((a) and (b) in the figure.) and "Outside" 90° corners ((c) and (d) in the figure.)



1. Inside corner 2. Outside corner



1. Inside corner 2. Outside corner

Measuring

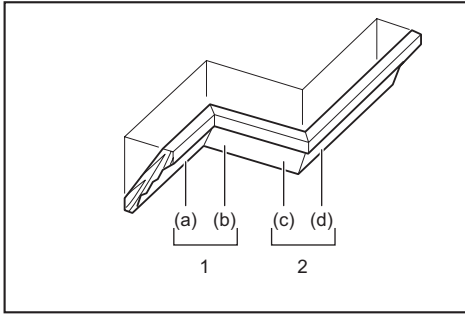
Measure the wall width, and adjust the width of the workpiece according to it. Always make sure that width of the workpiece's wall contact edge is the same as wall length.

► **Fig.47:** 1. Workpiece 2. Wall width 3. Width of the workpiece 4. Wall contact edge

Always use several pieces for test cuts to check the saw angles.

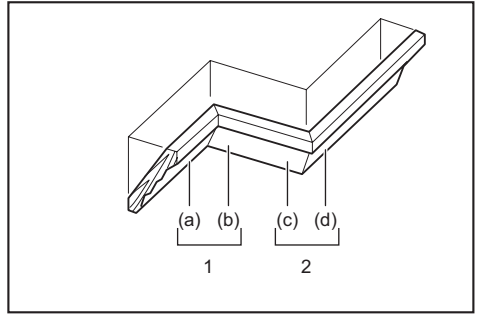
When cutting crown and cove moldings, set the bevel angle and miter angle as indicated in the table (A) and position the moldings on the top surface of the saw base as indicated in the table (B).

In the case of left bevel cut



1. Inside corner 2. Outside corner

In the case of right bevel cut



1. Inside corner 2. Outside corner

Table (A)

| – | Molding position in the figure | Bevel angle | | Miter angle | |
|--------------------|--------------------------------|-------------|----------|-------------|-------------|
| | | 52/38° type | 45° type | 52/38° type | 45° type |
| For inside corner | (a) | Left 33.9° | Left 30° | Right 31.6° | Right 35.3° |
| | (b) | | | Left 31.6° | Left 35.3° |
| For outside corner | (c) | | | Right 31.6° | Right 35.3° |
| | (d) | | | Right 31.6° | Right 35.3° |

Table (A)

| – | Molding position in the figure | Bevel angle | | Miter angle | |
|--------------------|--------------------------------|-------------|-----------|-------------|-------------|
| | | 52/38° type | 45° type | 52/38° type | 45° type |
| For inside corner | (a) | Right 33.9° | Right 30° | Right 31.6° | Right 35.3° |
| | (b) | | | Left 31.6° | Left 35.3° |
| For outside corner | (c) | | | Right 31.6° | Right 35.3° |
| | (d) | | | Right 31.6° | Right 35.3° |

Table (B)

| – | Molding position in the figure | Molding edge against guide fence | Finished piece |
|--------------------|--------------------------------|---|--|
| For inside corner | (a) | Ceiling contact edge should be against guide fence. | Finished piece will be on the Left side of blade. |
| | (b) | Wall contact edge should be against guide fence. | |
| For outside corner | (c) | Wall contact edge should be against guide fence. | Finished piece will be on the Right side of blade. |
| | (d) | Ceiling contact edge should be against guide fence. | |

Table (B)

| – | Molding position in the figure | Molding edge against guide fence | Finished piece |
|--------------------|--------------------------------|---|--|
| For inside corner | (a) | Wall contact edge should be against guide fence. | Finished piece will be on the Right side of blade. |
| | (b) | Ceiling contact edge should be against guide fence. | |
| For outside corner | (c) | Wall contact edge should be against guide fence. | Finished piece will be on the Left side of blade. |
| | (d) | Ceiling contact edge should be against guide fence. | |

Example:

In the case of cutting 52/38° type crown molding for position (a) in the above figure:

- Tilt and secure bevel angle setting to 33.9° LEFT.
- Adjust and secure miter angle setting to 31.6° RIGHT.
- Lay crown molding with its broad back (hidden) surface down on the turn base with its CEILING CONTACT EDGE against the guide fence on the saw.
- The finished piece to be used will always be on the LEFT side of the blade after the cut has been made.

Example:

In the case of cutting 52/38° type crown molding for position (a) in the above figure:

- Tilt and secure bevel angle setting to 33.9° RIGHT.
- Adjust and secure miter angle setting to 31.6° RIGHT.
- Lay crown molding with its broad back (hidden) surface down on the turn base with its WALL CONTACT EDGE against the guide fence on the saw.
- The finished piece to be used will always be on the RIGHT side of the blade after the cut has been made.

Crown molding stopper

Optional accessory

Crown molding stoppers allow easier cuts of crown molding without tilting the saw blade. Install them on the turn base as shown in the figures.

At right 45° miter angle

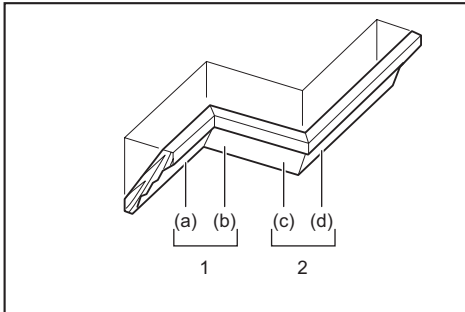
► **Fig.48:** 1. Crown molding stopper L 2. Crown molding stopper R 3. Turn base 4. Guide fence

At left 45° miter angle

► **Fig.49:** 1. Crown molding stopper L 2. Crown molding stopper R 3. Turn base 4. Guide fence

Position crown molding with its WALL CONTACT EDGE against the guide fence and its CEILING CONTACT EDGE against the crown molding stoppers as shown in the figure. Adjust the crown molding stoppers according to the size of the crown molding. Tighten the screws to secure the crown molding stoppers. Refer to the table (C) for the miter angle.

► **Fig.50:** 1. Guide fence 2. Crown molding stopper



1. Inside corner 2. Outside corner

Table (C)

| – | Molding position in the figure | Miter angle | Finished piece |
|--------------------|--------------------------------|-------------|------------------------------|
| For inside corner | (a) | Right 45° | Save the right side of blade |
| | (b) | Left 45° | Save the left side of blade |
| For outside corner | (c) | Right 45° | Save the right side of blade |
| | (d) | | Save the left side of blade |

Cutting aluminum extrusion

► **Fig.51:** 1. Vise 2. Spacer block 3. Guide fence 4. Aluminum extrusion 5. Spacer block

When securing aluminum extrusions, use spacer blocks or pieces of scrap as shown in the figure to prevent deformation of the aluminum. Use a cutting lubricant when cutting the aluminum extrusion to prevent build-up of the aluminum material on the blade.

⚠WARNING: Never attempt to cut thick or round aluminum extrusions. Thick or round aluminum extrusions can be difficult to secure and the work may loosen during the cutting operation which may result in loss of control and serious personal injury.

Groove cutting

⚠WARNING: Do not attempt to perform this type of cut by using a wider type blade or dado blade. Attempting to make a groove cut with a wider blade or dado blade could lead to unexpected cutting results and kickback which may result in serious personal injury.

⚠WARNING: Be sure to return the stopper arm to the original position when performing other than groove cutting. Attempting to make cuts with the stopper arm in the incorrect position could lead to unexpected cutting results and kickback which may result in serious personal injury.

For a dado type cut, perform as follows:

1. Adjust the lower limit position of the blade using the adjusting screw and the stopper arm to limit the cutting depth of the blade. Refer to "Stopper arm" section described on previously.

2. After adjusting the lower limit position of the blade, cut parallel grooves across the width of the workpiece using a slide (push) cut.

► **Fig.52:** 1. Cut grooves with blade

3. Remove the workpiece material between the grooves with a chisel.

Carrying tool

Before carrying, make sure to unplug and all movable parts of the miter saw are secured. Always check the following:

- The tool is unplugged.
- The carriage is at 0° bevel angle position and secured.
- The carriage is lowered and locked.
- The carriage is fully slid to the guide fence and locked.
- The turn base is at the full right miter angle position and secured.
- The holders are stored and secured.

Carry the tool by holding both sides of the tool base as shown in the figure.

► **Fig.53**

⚠WARNING: Stopper pin for carriage elevation is for carrying and storage purposes only and not for any cutting operations. The use of the stopper pin for cutting operations may cause unexpected movement of the saw blade resulting in kickback and serious personal injury.

⚠CAUTION: Always secure all moving portions before carrying the tool. If portions of the tool move or slide while being carried, loss of control or balance may occur and result in personal injury.

MAINTENANCE

⚠ WARNING: Always be sure that the tool is switched off and unplugged before attempting to perform inspection or maintenance. Failure to unplug and switch off the tool may result in accidental start up of the tool which may result in serious personal injury.

⚠ WARNING: Always be sure that the blade is sharp and clean for the best and safest performance. Attempting a cut with a dull and /or dirty blade may cause kickback and result in a serious personal injury.

NOTICE: Never use gasoline, benzine, thinner, alcohol or the like. Discoloration, deformation or cracks may result.

Adjusting the cutting angle

This tool is carefully adjusted and aligned at the factory, but rough handling may have affected the alignment. If your tool is not aligned properly, perform the following:

Miter angle

Lower the handle fully and lock it in the lowered position by the stopper pin. Push the carriage toward the guide fence. Loosen the grip and the screws which secure the pointer and miter angle scale.

► **Fig.54:** 1. Screw on pointer 2. Screws on miter angle scale 3. Miter scale

Set the turn base to the 0° position using the positive stop function. Square the side of the blade with the face of the guide fence using a triangular rule or try-square. While keeping the square, tighten the screws on the miter angle scale. After that, align the pointers (both right and left) with the 0° position in the miter angle scale and then tighten the screw on the pointer.

► **Fig.55:** 1. Triangular rule

Bevel angle

0° bevel angle

Push the carriage toward the guide fence and lock the sliding movement by the stopper pin. Lower the handle fully and lock it in the lowered position by the stopper pin and then loosen the knob. Turn the 0° adjusting bolt two or three revolutions counterclockwise to tilt the blade to the right.

► **Fig.56:** 1. 0° Adjusting bolt 2. Screw

Carefully square the side of the blade with the top surface of the turn base using the triangular rule, try-square, etc. by turning the 0° adjusting bolt clockwise. Then tighten the knob firmly to secure the 0° angle you have set.

► **Fig.57:** 1. Triangular rule 2. Saw blade 3. Top surface of turn base

Check if the side of the blade squares with the turn base surface once again. Loosen the screw on the pointer. Align the pointer with 0° position in the bevel angle scale and then tighten the screw.

45° bevel angle

NOTICE: Before adjusting the 45° bevel angle, finish 0° bevel angle adjustment.

Loosen the knob and fully tilt the carriage to the side that you want to check. Check if the pointer indicates the 45° position in the bevel angle scale.

► **Fig.58**

If the pointer does not indicate the 45° position, align it with 45° position by turning the adjusting bolt on the opposite side of the bevel angle scale.

► **Fig.59:** 1. Left 45° adjusting bolt 2. Right 45° adjusting bolt

Adjusting the laser line position

For model LS1019L only

⚠ WARNING: The tool must be plugged in while adjusting the laser line. Take extra care not to switch on the tool during adjustment. Accidental start up of the tool may result in serious personal injury.

⚠ CAUTION: Never look directly into the laser beam. Direct eye exposure to the beam could cause serious damage to your eyes.

NOTICE: Check the position of laser line regularly for accuracy.

NOTICE: Beware that impacts to the tool. It may cause the laser line to be misaligned or may cause damage to the laser, shortening its life.

NOTICE: Have the tool repaired by a Makita authorized service center for any failure on the laser unit.

The movable range of laser line is decided by the range adjustment screws on both sides. Perform following procedures to alter the laser line position.

1. Unplug the tool.
2. Draw a cutting line on the workpiece and place it on the turn base. At this time, do not secure the workpiece with a vise or similar securing device.
3. Lower the handle and align the cutting line with the saw blade.
4. Return the handle to the original position and secure the workpiece with the vertical vise so that the workpiece does not move from the position you have determined.
5. Plug in the tool and turn on the laser switch.
6. Loosen the adjusting screw. To move the laser line away from the blade, turn the range adjustment screws counterclockwise. To move the laser line close to the blade, turn the range adjustment screw clockwise.

Adjusting the laser line on the left side of the blade

► **Fig.60:** 1. Adjusting screw 2. Range adjustment screw 3. Hex wrench 4. Laser line 5. Saw blade

Adjusting the laser line on the right side of the blade

► **Fig.61:** 1. Adjusting screw 2. Range adjustment screw 3. Hex wrench 4. Laser line 5. Saw blade

7. Slide the adjusting screw to the position that the laser line comes onto the cutting line and then tighten.

NOTE: The movable range of laser line is factory adjusted within 1 mm (0.04") from the side surface of blade.

Cleaning the laser light lens

For model LS1019L only

The laser light becomes hard to see as the lens for the laser light gets dirty. Clean the lens for laser light periodically.

► **Fig.62:** 1. Screw 2. Lens

Unplug the tool. Loosen the screw and pull out the lens. Clean the lens gently with a damp soft cloth.

NOTICE: Do not remove the screw which secures the lens. If the lens does not come out, loosen the screw further.

NOTICE: Do not use solvents or any petroleum-based cleaners on the lens.

Replacing carbon brushes

► **Fig.63:** 1. Limit mark

Remove and check the carbon brushes regularly. Replace when they wear down to the limit mark. Keep the carbon brushes clean and free to slip in the holders. Both carbon brushes should be replaced at the same time. Use only identical carbon brushes. Use a screwdriver to remove the brush holder caps. Take out the worn carbon brushes, insert the new ones and secure the brush holder caps.

► **Fig.64:** 1. Brush holder cap

After replacing brushes, plug in the tool and break in brushes by running tool with no load for about 10 minutes. Then check the tool while running and electric brake operation when releasing the switch trigger. If the electric brake is not working correctly, have the tool repaired by a Makita service center.

After use

After use, wipe off chips and dust adhering to the tool with a cloth or the like. Keep the blade guard clean according to the directions in the previously covered section titled "Blade guard". Lubricate the sliding portions with machine oil to prevent rust.

To maintain product SAFETY and RELIABILITY, repairs, any other maintenance or adjustment should be performed by Makita Authorized or Factory Service Centers, always using Makita replacement parts.

OPTIONAL ACCESSORIES

⚠WARNING: These Makita accessories or attachments are recommended for use with your Makita tool specified in this manual. The use of any other accessories or attachments may result in serious personal injury.

⚠WARNING: Only use the Makita accessory or attachment for its stated purpose. Misuse of an accessory or attachment may result in serious personal injury.

If you need any assistance for more details regarding these accessories, ask your local Makita Service Center.

- Steel & Carbide-tipped saw blades
- Vertical vise
- Horizontal vise
- Crown molding stopper set
- Dust bag
- Triangular rule
- Hex wrench
- Hex wrench (for LS1019L)

NOTE: Some items in the list may be included in the tool package as standard accessories. They may differ from country to country.

SPÉCIFICATIONS

| Modèle : | | LS1019 | LS1019L |
|--|----------------------------|--------------------------|---|
| Diamètre de lame | Pays européens | 260 mm | |
| | Pays en dehors de l'Europe | 255 mm à 260 mm | |
| Diamètre d'orifice | Pays européens | 30 mm | |
| | Pays en dehors de l'Europe | 25,4 mm | |
| Épaisseur max. du trait de la lame de scie | | 3,2 mm | |
| Angle de coupe d'onglet max. | | Droite 60°, Gauche 60° | |
| Angle de coupe en biseau max. | | Droite 48°, Gauche 48° | |
| Vitesse à vide (tr/min) | | 3 200 min ⁻¹ | |
| Type de laser | | - | Laser rouge 650 nm, sortie maximale < 1,6 mW (Classe de laser 2M) |
| Dimensions (L x l x H) | | 805 mm x 644 mm x 660 mm | |
| Poids net | | 26,1 kg | 26,3 kg |

Capacités de coupe (H x l)

| Angle de coupe d'onglet | Angle de coupe en biseau | | |
|-------------------------|----------------------------------|----------------------------------|----------------------------------|
| | 45° (gauche) | 0° | 45° (droite) |
| 0° | 42 mm x 310 mm 58 mm x 279 mm | 68 mm x 310 mm 91 mm x 279 mm | 29 mm x 310 mm 43 mm x 279 mm |
| 45° (droite et gauche) | 42 mm x 218 mm 58 mm x 197 mm | 68 mm x 218 mm 91 mm x 197 mm | 29 mm x 218 mm 43 mm x 197 mm |
| 60° (droite et gauche) | - | 68 mm x 155 mm 91 mm x 139 mm | - |




Capacités de coupe pour les coupes spéciales




| Type de coupe | Capacité de coupe |
|---|-------------------|
| Mou lure couronnée du type 45° (en utilisant la butée pour mou lure couronnée) | 168 mm |
| Plinthe (en utilisant l'étau horizontal) | 133 mm |

- Étant donné l'évolution constante de notre programme de recherche et de développement, les spécifications contenues dans ce manuel sont sujettes à modification sans préavis.
- Les spécifications peuvent varier suivant les pays.
- Poids selon la procédure EPTA 01/2014

Symboles

Vous trouverez ci-dessous les symboles utilisés pour l'appareil. Veuillez à comprendre leur signification avant toute utilisation.

| | |
|--|--|
|  | Lire le mode d'emploi. |
|  | DOUBLE ISOLATION |
|  | Pour éviter les blessures provoquées par les objets projetés, maintenir la tête de la scie en position basse une fois la coupe terminée, jusqu'à ce que la lame soit complètement arrêtée. |

| | |
|---|---|
|  | Lorsqu'on effectue une coupe en glissière, tirer d'abord complètement le chariot et enfoncer la poignée, puis pousser le chariot vers le guide. |
|  | Ne pas placer les mains ou les doigts près de la lame. |
|  | Ne regardez jamais dans le faisceau laser. Le faisceau laser direct peut entraîner des lésions oculaires. |



Uniquement pour les pays de l'Union européenne

Ne pas jeter les appareils électriques avec les ordures ménagères ! Conformément à la directive européenne relative aux déchets d'équipements électriques et électroniques ainsi qu'à son application en conformité avec les lois nationales, les appareils électriques qui ont atteint la fin de leur durée de service doivent être collectés séparément et renvoyés à un établissement de recyclage respectueux de l'environnement.

Utilisations

L'outil est conçu pour effectuer des coupes rectilignes et des coupes d'onglet dans le bois, avec précision. En utilisant des lames de scie appropriées, l'aluminium peut également être scié.

Alimentation

L'outil ne devra être raccordé qu'à une alimentation de la même tension que celle qui figure sur la plaque signalétique, et il ne pourra fonctionner que sur un courant secteur monophasé. Réalisé avec une double isolation, il peut de ce fait être alimenté par une prise sans mise à la terre.

Bruit

Niveau de bruit pondéré A typique, déterminé selon EN62841 :

Modèle LS1019

Niveau de pression sonore (L_{pA}) : 91 dB (A)

Niveau de puissance sonore (L_{WA}) : 101 dB (A)

Incertitude (K) : 3 dB (A)

Modèle LS1019L

Niveau de pression sonore (L_{pA}) : 91 dB (A)

Niveau de puissance sonore (L_{WA}) : 101 dB (A)

Incertitude (K) : 3 dB (A)

AVERTISSEMENT : Portez un serre-tête antibruit.

Vibrations

Valeur totale de vibrations (somme de vecteur triaxial) déterminée selon EN62841 :

Modèle LS1019

Émission de vibrations (a_{h1}) : 2,5 m/s² ou moins

Incertitude (K) : 1,5 m/s²

Modèle LS1019L

Émission de vibrations (a_{h1}) : 2,5 m/s² ou moins

Incertitude (K) : 1,5 m/s²

NOTE : La valeur d'émission de vibrations déclarée a été mesurée conformément à la méthode de test standard et peut être utilisée pour comparer les outils entre eux.

NOTE : La valeur d'émission de vibrations déclarée peut aussi être utilisée pour l'évaluation préliminaire de l'exposition.

AVERTISSEMENT : L'émission de vibrations lors de l'usage réel de l'outil électrique peut être différente de la valeur d'émission déclarée, suivant la façon dont l'outil est utilisé.

AVERTISSEMENT : Les mesures de sécurité à prendre pour protéger l'utilisateur doivent être basées sur une estimation de l'exposition dans des conditions réelles d'utilisation (en tenant compte de toutes les composantes du cycle d'utilisation, comme par exemple le moment de sa mise hors tension, lorsqu'il tourne à vide et le moment de son déclenchement).

Déclaration de conformité CE

Pour les pays européens uniquement

La déclaration de conformité CE est fournie en Annexe A à ce mode d'emploi.

CONSIGNES DE SÉCURITÉ

Consignes de sécurité générales pour outils électriques

AVERTISSEMENT : Veuillez lire les consignes de sécurité, instructions, illustrations et spécifications qui accompagnent cet outil électrique. Le non-respect de toutes les instructions indiquées ci-dessous peut entraîner une électrocution, un incendie et/ou de graves blessures.

Conservez toutes les mises en garde et instructions pour référence ultérieure.

Le terme « outil électrique » dans les avertissements fait référence à l'outil électrique alimenté par le secteur (avec cordon d'alimentation) ou à l'outil électrique fonctionnant sur batterie (sans cordon d'alimentation).

Consignes de sécurité pour scies radiales

1. **Les scies radiales sont conçues pour couper le bois ou des produits similaires au bois ; elles ne peuvent pas être utilisées avec des meules à tronçonner pour couper des matériaux ferreux comme des barres, des tiges, des goujons, etc.** La poussière abrasive provoque le blocage des pièces mobiles comme le protecteur inférieur. Les étincelles produites par le tronçonnage abrasif brûleront le protecteur inférieur, le pare-éclats et les autres pièces en plastique.
2. **Utilisez des dispositifs de serrage pour soutenir la pièce si possible. Si vous soutenez la pièce avec la main, vous devez toujours tenir votre main à au moins 100 mm des côtés de la lame de scie. N'utilisez pas cette scie pour découper des morceaux trop petits pour être solidement bloqués ou tenus avec la main.** Si votre main est placée trop près de la lame de scie, cela présente un risque accru de blessures en cas de contact avec la lame.

3. **La pièce doit être immobile et bloquée ou maintenue à la fois contre le guide et la table. En aucun cas, ne poussez la pièce dans la lame, ni ne coupez « à main levée ».** Les pièces non retenues ou en mouvement pourraient être projetées à grande vitesse et vous blesser.
4. **Poussez la scie à travers la pièce. Ne tirez pas la scie à travers la pièce. Pour faire une coupe, soulevez la tête de scie et placez-la au-dessus de la pièce sans couper, démarrez le moteur, appuyez la tête de scie vers le bas et poussez la scie à travers la pièce.** Couper en tirant peut faire que la lame de scie monte sur le haut de la pièce et projette violemment l'ensemble de la lame en direction de l'utilisateur.
5. **Ne croisez jamais les mains sur la ligne de coupe prévue devant ou derrière la lame de scie.** Soutenir la pièce les « mains croisées », à savoir en tenant la pièce à droite de la lame de scie avec la main gauche et inversement, est très dangereux.

► **Fig.1**

6. **Ne tendez pas les mains derrière le guide plus près que 100 mm d'un côté ou de l'autre de la lame de scie pour retirer les chutes de bois ou pour tout autre motif pendant que la lame tourne.** La proximité de la lame de scie en rotation avec votre main pourrait ne pas être évidente et vous pourriez gravement vous blesser.
7. **Inspectez votre pièce avant la coupe. Si la pièce est arquée ou tordue, serrez-la en place avec la face externe arquée tournée vers le guide. Assurez-vous toujours qu'il n'y a pas d'espace entre la pièce, le guide et la table le long de la ligne de coupe.** Les pièces courbées ou tordues peuvent se tordre ou bouger et pincer la lame de scie en rotation pendant la coupe. La pièce ne doit pas avoir de clous ou corps étrangers.
8. **N'utilisez pas la scie tant que la table n'est pas dégagée de tous les outils, chutes de bois, etc., à l'exception de la pièce.** Les petits débris, les morceaux de bois détachés ou d'autres objets entrant en contact avec la lame en rotation peuvent être projetés à grande vitesse.
9. **Coupez uniquement une pièce à la fois.** Plusieurs pièces empilées ne peuvent pas être correctement serrées ou attachées et risquent de pincer la lame ou de bouger pendant la coupe.
10. **Avant utilisation, assurez-vous que la scie radiale est installée ou posée sur un plan de travail plat et solide.** Un plan de travail plat et solide réduit le risque d'instabilité de la scie radiale.
11. **Planifiez votre travail. Chaque fois que vous changez le réglage de l'angle de coupe en biseau ou l'angle de coupe d'onglet, assurez-vous que le guide réglable est placé correctement pour soutenir la pièce et qu'il ne gênera pas la lame ou le dispositif de protection.** Sans mettre l'outil sous tension (ON) et sans pièce sur la table, déplacez la lame de scie pour une simulation de coupe complète afin de vous assurer qu'il n'y aura pas d'interférence ou de risque de couper le guide.
12. **Prévoyez des supports adéquats comme des rallonges de table, un chevalet de sciage, etc., pour les pièces plus larges ou plus longues que la table.** Les pièces plus longues ou plus larges que la table d'appui de la scie radiale peuvent basculer si elles ne sont pas solidement soutenues. Si la partie coupée de la pièce ou la pièce elle-même bascule, elle peut soulever le protecteur inférieur ou être projetée par la lame en rotation.
13. **Ne vous servez pas d'une autre personne à la place d'une rallonge de table ou d'un support supplémentaire.** Un soutien instable de la pièce peut pincer la lame ou faire bouger la pièce pendant la coupe vous entraînant vous et votre assistant vers la lame en rotation.
14. **La partie coupée de la pièce ne doit pas être coincée ou appuyée par quelque moyen que ce soit contre la lame de scie en rotation.** Si elle est emprisonnée, au moyen de butées longitudinales par exemple, la partie coupée de la pièce risque de se coincer contre la lame et d'être violemment projetée.
15. **Utilisez toujours un dispositif de serrage ou de fixation conçu pour soutenir adéquatement les pièces rondes comme les barres ou les tuyaux.** Les barres ont tendance à rouler pendant la coupe, faisant « mordre » la lame et entraînant la pièce et votre main sur la lame.
16. **Attendez que la lame ait atteint sa pleine vitesse avant de la mettre en contact avec la pièce.** Vous réduirez ainsi le risque de projection de la pièce.
17. **Si la pièce ou la lame se coince, mettez la scie radiale hors tension. Attendez que toutes les pièces en mouvement s'arrêtent et débranchez la fiche du cordon d'alimentation de la prise secteur et/ou retirez la batterie. Puis essayez de libérer la pièce coincée.** Si vous continuez à scier avec une pièce coincée, vous risquez de perdre le contrôle de la scie radiale ou de l'endommager.
18. **Une fois la coupe terminée, relâchez l'interrupteur, tenez la tête de scie vers le bas et attendez l'arrêt de la lame avant de retirer la partie coupée de la pièce.** Approcher votre main de la lame « en roue libre » est dangereux.
19. **Tenez fermement la poignée lorsque vous faites une coupe incomplète ou lorsque vous relâchez l'interrupteur avant d'avoir complètement abaissé la tête de scie.** Le freinage de la scie peut tirer brusquement la tête de scie vers le bas, ce qui présente un risque de blessure.
20. **Utilisez uniquement une lame de scie ayant le diamètre indiqué sur l'outil ou spécifié dans le mode d'emploi.** L'utilisation d'une taille incorrecte de lame peut affecter la protection de la lame ou le fonctionnement du carter de protection, ce qui pourrait provoquer de graves blessures.
21. **Utilisez uniquement des lames de scie sur lesquelles est indiquée une vitesse égale ou supérieure à la vitesse figurant sur l'outil.**
22. **N'utilisez pas la scie pour couper autre chose que du bois, de l'aluminium ou des matériaux similaires.**

23. (Pour les pays européens uniquement)
Utilisez toujours une lame conforme à la norme EN847-1.

Instructions supplémentaires

1. Faites en sorte que l'atelier ne présente pas de dangers pour les enfants en plaçant des cadenas.
2. Ne vous tenez jamais debout sur l'outil. Vous risqueriez de gravement vous blesser si l'outil bascule ou si vous touchez par inadvertance l'outil de coupe.
3. Ne laissez jamais sans surveillance un outil en marche. Mettez-le hors tension. Attendez que l'outil soit complètement arrêté avant de vous éloigner.
4. N'utilisez jamais la scie sans les protecteurs en place. Vérifiez le bon fonctionnement du protecteur de lame avant chaque utilisation. N'utilisez pas la scie si le protecteur de lame ne se déplace pas librement et ne se referme pas instantanément. N'immobilisez jamais le protecteur de lame en position ouverte.
5. Gardez bien les mains à l'écart de la lame de scie. Évitez tout contact avec une lame « en roue libre ». Vous pourriez vous blesser gravement.
6. N'immobilisez jamais le protecteur de lame en position ouverte.
7. Pour réduire le risque de blessure, ramenez le chariot à la position arrière complète après chaque coupe transversale.
8. Immobilisez toujours toutes les pièces mobiles de l'outil avant de le transporter.
9. La broche d'arrêt qui verrouille en position basse la tête de coupe sert à des fins de transport et de rangement uniquement et pas pour les opérations de coupe.
10. Vérifiez soigneusement l'absence de fissures ou de dommages sur les lames avant l'utilisation. Remplacez immédiatement les lames fissurées ou abîmées. Les dépôts de colle et les copeaux de bois qui durcissent contre la lame ralentissent la scie et entraînent une augmentation des risques de choc en retour. Pour nettoyer la lame, retirez-la d'abord de l'outil, puis nettoyez-la avec un décapant, de l'eau chaude ou du kérosène. N'utilisez jamais d'essence pour nettoyer la lame.
11. Les coupes en glissière peuvent entraîner un CHOC EN RETOUR. Un CHOC EN RETOUR survient lorsque la lame se pince dans la pièce pendant la coupe et que la lame de scie est entraînée rapidement vers l'utilisateur. Cela présente un risque de perte de contrôle et de graves blessures. Si la lame commence à accrocher pendant la coupe, ne continuez pas à couper et relâchez immédiatement l'interrupteur.
12. N'utilisez que les flasques spécifiés pour cet outil.

13. Prenez garde de ne pas endommager l'alésage, les flasques (tout particulièrement leur surface d'installation) ou le boulon. Si ces pièces sont endommagées, la lame peut se casser.
14. Assurez-vous que le socle rotatif est bien immobilisé, afin qu'il ne risque pas de se déplacer pendant l'opération. Utilisez les orifices sur le socle pour fixer la scie sur une plateforme de travail ou un établi stable. N'utilisez JAMAIS l'outil si vous vous trouvez dans une position inconfortable.
15. Assurez-vous que le blocage de l'arbre est relâché avant de mettre la sous tension.
16. Assurez-vous que la lame ne touche pas le socle rotatif quand elle est abaissée au maximum.
17. Tenez la poignée fermement. N'oubliez pas que la scie se déplace légèrement de haut en bas au démarrage et à l'arrêt.
18. Assurez-vous que la lame ne touche pas la pièce avant de mettre la sous tension.
19. Avant d'utiliser l'outil sur la pièce, faites-le tourner un instant à vide. Vérifiez que la lame ne présente ni balourd ni shimmy qui pourraient résulter d'un montage incorrect ou d'un déséquilibre.
20. Arrêtez immédiatement si vous remarquez quoi que ce soit d'anormal.
21. Ne tentez pas de bloquer la gâchette sur la position de marche (ON).
22. N'utilisez que les accessoires recommandés dans ce manuel. L'utilisation d'accessoires différents, disques à tronçonner notamment, peut entraîner des blessures.
23. Certains matériaux contiennent des produits chimiques qui peuvent être toxiques. Prenez garde de ne pas avaler la poussière et évitez tout contact avec la peau. Suivez les données de sécurité du fournisseur du matériau.

Consignes de sécurité supplémentaires pour le laser

1. RAYONNEMENT LASER, ÉVITEZ DE REGARDER FIXEMENT LE FAISCEAU OU DE L'OBSERVER À L'AIDE D'INSTRUMENTS OPTIQUES, PRODUIT LASER DE CLASSE 2M.

CONSERVEZ CES INSTRUCTIONS.

⚠️ AVERTISSEMENT : NE vous laissez PAS tromper (au fil d'une utilisation répétée) par un sentiment d'aisance et de familiarité avec le produit, en négligeant le respect rigoureux des consignes de sécurité qui accompagnent le produit en question. La MAUVAISE UTILISATION de l'outil ou l'ignorance des consignes de sécurité indiquées dans ce mode d'emploi peut entraîner de graves blessures.

DESCRIPTION DES PIÈCES

► Fig.2

| | | | | | | | |
|----|--|----|--|----|--|----|---|
| 1 | Tige de glissement | 2 | Broche d'arrêt (pour le coulissement du chariot) | 3 | Étau vertical | 4 | Bouton de libération (pour l'angle de coupe en biseau côté droit) |
| 5 | Servante | 6 | Socle rotatif | 7 | Index (pour l'angle de coupe d'onglet) | 8 | Graduation d'angles de coupe d'onglet |
| 9 | Plateau de découpe | 10 | Porte-lame | 11 | Vis de réglage (pour le rayon laser) | 12 | Vis de réglage de la portée (pour le rayon laser) |
| 13 | Protecteur de lame | 14 | Molette (pour l'angle de coupe en biseau) | 15 | Clé hexagonale | 16 | Vis de réglage (pour la position limite inférieure) |
| 17 | Boulon de réglage (pour la capacité de coupe maximale) | 18 | Bras de blocage | 19 | Levier de verrouillage (pour le socle rotatif) | 20 | Levier de déverrouillage (pour le socle rotatif) |
| 21 | Manche (pour le socle rotatif) | - | - | - | - | - | - |

► Fig.3

| | | | | | | | |
|----|---|----|--|----|---|----|--|
| 1 | Gâchette | 2 | Bouton de sécurité | 3 | Orifice pour cadenas | 4 | Interrupteur (pour le rayon laser) |
| 5 | Tuyau (pour l'extraction de poussière) | 6 | Broche d'arrêt (pour le soulèvement du chariot) | 7 | Guide (guide inférieur) | 8 | Guide (guide supérieur) |
| 9 | Sac à poussière | 10 | Boulon de réglage à 0° (pour l'angle de coupe en biseau) | 11 | Graduation d'angles de coupe en biseau | 12 | Levier de déverrouillage (pour l'angle de coupe en biseau à 48°) |
| 13 | Levier de fermeture (pour l'angle de coupe en biseau) | 14 | Index (pour l'angle de coupe en biseau) | 15 | Boulon de réglage à 45° (pour l'angle de coupe en biseau) | - | - |

INSTALLATION

Mise en place du manche

Vissez l'axe fileté du manche dans le socle rotatif.

► Fig.4: 1. Manche 2. Socle rotatif

Mise en place du tuyau d'extraction de poussière

Raccordez le tuyau d'extraction de poussière à l'outil comme illustré.

Assurez-vous que le coude et le manchon s'insèrent correctement dans les orifices sur l'outil.

► Fig.5: 1. Tuyau d'extraction de poussière 2. Coude 3. Manchon 4. Orifice

Montage sur établi

À la sortie d'usine, la poignée est verrouillée en position abaissée au moyen de la broche d'arrêt. Tout en abaissant légèrement la poignée, tirez sur la broche d'arrêt et tournez-la de 90°.

► Fig.6: 1. Position verrouillée 2. Position déverrouillée 3. Broche d'arrêt

Cet outil doit être boulonné avec quatre boulons sur une surface plane et stable au moyen des orifices pour boulon prévus sur le socle de l'outil. Ceci permettra d'éviter tout risque de renversement et de blessure.

► Fig.7: 1. Boulon

⚠ AVERTISSEMENT : Assurez-vous que l'outil ne bouge pas sur la surface de soutien. Si la scie radiale bouge sur la surface de soutien pendant la coupe, il y a risque de perte de contrôle et de graves blessures.

DESCRIPTION DU FONCTIONNEMENT

⚠ AVERTISSEMENT : Assurez-vous toujours que l'outil est hors tension et débranché avant de l'ajuster ou de vérifier son fonctionnement.

Si vous ne mettez pas l'outil hors tension et ne le débranchez pas, cela présente un risque de graves blessures en cas de démarrage accidentel.

Protecteur de lame

► **Fig.8:** 1. Protecteur de lame

Le protecteur de lame s'élève automatiquement lorsque vous abaissez la poignée. Le protecteur étant équipé d'un ressort de rappel, il revient à sa position d'origine une fois la coupe terminée et la poignée relevée.

⚠ AVERTISSEMENT : Ne modifiez, ni ne retirez le protecteur de lame ou son ressort. Une lame exposée suite à la modification du protecteur peut entraîner de graves blessures lors de l'utilisation.

Par mesure de sécurité, conservez toujours le protecteur de lame en bon état. Un fonctionnement irrégulier du protecteur de lame doit être corrigé sur-le-champ. Vérifiez que le mécanisme de rappel par ressort du protecteur fonctionne correctement.

⚠ AVERTISSEMENT : N'utilisez jamais l'outil si le protecteur de lame ou le ressort est endommagé, défectueux ou retiré. L'utilisation de l'outil avec un protecteur endommagé, défectueux ou retiré peut entraîner de graves blessures.

Si le protecteur de lame transparent devient sale ou si la sciure de bois y adhère au point que la lame et/ou la pièce ne soient plus bien visibles, débranchez la scie et nettoyez soigneusement le protecteur avec un chiffon humide. N'utilisez aucun solvant ou nettoyant à base de pétrole sur le protecteur en plastique, car cela risquerait de l'abîmer.

Si le protecteur de lame est particulièrement sale et qu'il est difficile de voir à travers le protecteur, débranchez l'outil et utilisez la clé fournie pour desserrer le boulon à tête cylindrique à six pans creux maintenant le capot central. Desserrez le boulon à tête cylindrique à six pans creux en le tournant dans le sens inverse des aiguilles d'une montre et soulevez le protecteur de lame et le capot central. Avec le protecteur de lame dans cette position, il est possible de réaliser un nettoyage plus complet et efficace. Une fois le nettoyage terminé, exécutez la procédure ci-dessus dans l'ordre inverse et fixez le boulon. Ne retirez pas le ressort du protecteur de lame. Si le protecteur se décolore avec le temps ou sous l'effet des rayons ultraviolets, contactez un centre de service Makita pour obtenir un protecteur neuf. **NE MODIFIEZ NI NE RETIREZ LE PROTECTEUR.**

► **Fig.9:** 1. Capot central 2. Clé hexagonale 3. Protecteur de lame

Plateaux de découpe

Le socle rotatif de cet outil est équipé de plateaux de découpe pour minimiser la déchirure du côté de sortie de la coupe. Les plateaux de découpe sont réglés en usine de sorte qu'ils n'entrent pas en contact avec la lame de scie. Avant l'utilisation, ajustez les plateaux de découpe comme suit :

► **Fig.10:** 1. Plateau de découpe

► **Fig.11:** 1. Coupe en biseau sur la gauche 2. Coupe rectiligne 3. Coupe en biseau sur la droite 4. Lame de scie 5. Dents de lame 6. Plateau de découpe

Commencez par débrancher l'outil. Desserrez toutes les vis (2 à droite et 2 à gauche) qui retiennent les plateaux de découpe jusqu'à ce qu'il soit facile de déplacer manuellement les plateaux de découpe. Abaissez complètement la poignée, puis tirez et tournez la broche d'arrêt pour verrouiller la poignée en position abaissée. Dégagez la broche d'arrêt sur la tige de glissement et tirez le chariot complètement vers vous. Ajustez les plateaux de découpe de sorte qu'ils touchent très légèrement les côtés des dents de la lame. Serrez les vis à l'avant (ne serrez pas fermement). Poussez complètement le chariot vers le guide et ajustez les plateaux de découpe de sorte qu'ils touchent très légèrement les côtés des dents de la lame. Serrez les vis à l'arrière (ne serrez pas fermement).

Après avoir ajusté les plateaux de découpe, dégagez la broche d'arrêt et levez la poignée. Serrez ensuite toutes les vis fermement.

REMARQUE : Après avoir réglé l'angle de coupe en biseau, assurez-vous que les plateaux de découpe sont bien ajustés. Des plateaux de découpe bien ajustés contribueront au soutien adéquat de la pièce en réduisant l'effet d'arrachement sur la pièce.

Maintien de la capacité de coupe maximale

Cet outil est réglé en usine pour offrir une capacité de coupe maximale avec une lame de scie de 255 mm ou 260 mm.

Lorsque vous installez une lame neuve, vérifiez toujours la position limite inférieure de la lame, et réglez-la comme suit si nécessaire :

Commencez par débrancher l'outil. Tournez le frein de blocage sur la position enclenchée.

► **Fig.12:** 1. Frein de blocage

Poussez le chariot à fond vers le guide et abaissez complètement la poignée.

Ajustez la position de la lame en tournant le boulon de réglage avec la clé hexagonale. La périphérie de la lame doit s'étendre légèrement sous la surface supérieure du socle rotatif et également arriver au point où la face avant du guide rencontre la surface supérieure du socle rotatif.

► **Fig.13:** 1. Boulon de réglage

► **Fig.14:** 1. Surface supérieure du socle rotatif 2. Périphérie de la lame 3. Guide

Avec l'outil débranché, faites tourner la lame manuellement en maintenant la poignée en position complètement abaissée, afin d'être certain que la lame n'entre en contact avec aucune partie du socle inférieur. Au besoin, effectuez un léger réajustement. Après le réglage, ramenez toujours le frein de blocage sur la position initiale.

⚠ AVERTISSEMENT : Après avoir installé une lame neuve et avec l'outil débranché, assurez-vous toujours que la lame ne touche aucune partie du socle inférieur lorsque la poignée est complètement abaissée. Si la lame entre en contact avec le socle, elle risque de provoquer un choc en retour et d'entraîner de graves blessures.

Bras de blocage

Le bras de blocage permet de régler facilement la position limite inférieure de la lame. Pour la régler, tournez le bras de blocage dans le sens de la flèche comme indiqué sur la figure. Tournez la vis de réglage de sorte que la lame s'arrête sur la position souhaitée lorsque la poignée est complètement abaissée.

► **Fig.15:** 1. Bras de blocage 2. Vis de réglage

Réglage de l'angle de coupe d'onglet

⚠ ATTENTION : Après avoir modifié l'angle de coupe d'onglet, fixez toujours le socle rotatif en serrant le manche à fond.

REMARQUE : Lorsque vous tournez le socle rotatif, veillez à relever complètement la poignée.

► **Fig.16:** 1. Levier de verrouillage 2. Manche
3. Levier de déverrouillage 4. Index

Tournez le manche dans le sens inverse des aiguilles d'une montre pour déverrouiller le socle rotatif. Tournez le manche tout en maintenant abaissé le levier de verrouillage pour déplacer le socle rotatif. Alignez l'index avec l'angle souhaité sur la graduation, puis serrez le manche.

NOTE : Si vous enfoncez le levier de déverrouillage, vous pouvez déplacer le socle rotatif sans maintenir abaissé le levier de verrouillage. Serrez le manche sur la position souhaitée.

Cette scie radiale utilise la fonction de butée fixe. Vous pouvez régler rapidement les angles de coupe d'onglet droit/gauche à 0°, 15°, 22,5°, 31,6°, 45° et 60°. Pour utiliser cette fonction, approchez le socle rotatif de l'angle de la butée fixe souhaité tout en maintenant abaissé le levier de verrouillage. Puis dégagez le levier de verrouillage et déplacez le socle rotatif vers l'avant jusqu'à ce que le socle rotatif soit verrouillé.

Réglage de l'angle de coupe en biseau

REMARQUE : Retirez toujours les guides supérieurs et l'étau vertical avant de régler l'angle de coupe en biseau.

REMARQUE : Lorsque vous changez d'angle de coupe en biseau, veillez à placer les plateaux de découpe correctement comme expliqué dans la section « Plateaux de découpe ».

REMARQUE : Lorsque vous inclinez la lame de scie, veillez à relever complètement la poignée.

1. Tournez la molette sur la tige de glissement dans le sens inverse des aiguilles d'une montre.

► **Fig.17:** 1. Molette

2. Tirez et tournez le levier de fermeture sur la position comme illustré.

► **Fig.18:** 1. Levier de fermeture

3. Faites correspondre l'index avec l'angle souhaité sur la graduation en déplaçant le chariot, puis serrez la molette.

► **Fig.19:** 1. Graduation d'angles de coupe en biseau
2. Index

Pour incliner le chariot vers la droite, inclinez le chariot légèrement vers la gauche, puis inclinez-le vers la droite tout en appuyant sur le bouton de libération.

► **Fig.20:** 1. Bouton de libération

Si vous réalisez une coupe en biseau de plus de 45°, déplacez le chariot tout en faisant glisser le levier de déverrouillage vers l'avant de l'outil. Vous pouvez réaliser une coupe en biseau jusqu'à 48°.

► **Fig.21:** 1. Levier de déverrouillage

Cette scie radiale utilise la fonction de butée fixe. Vous pouvez régler rapidement un angle de 22,5° et 33,9° vers la droite et la gauche. Placez le levier de fermeture sur la position illustrée et inclinez le chariot. Pour changer d'angle, tirez le levier de fermeture et inclinez le chariot.

► **Fig.22:** 1. Levier de fermeture

⚠ ATTENTION : Après avoir changé d'angle de coupe en biseau, fixez toujours la molette.

Verrouillage du coulissement

Pour verrouiller le mouvement de coulissement du chariot, poussez le chariot vers le guide jusqu'à ce qu'il s'arrête. Tirez sur la broche d'arrêt et tournez-la de 90°.

► **Fig.23:** 1. Position déverrouillée 2. Position verrouillée 3. Broche d'arrêt

Interrupteur

⚠ AVERTISSEMENT : Avant de brancher l'outil, assurez-vous toujours que la gâchette fonctionne correctement et revient en position d'arrêt une fois relâchée. Évitez d'appuyer sur la gâchette avec force lorsque le bouton de sécurité n'est pas enfoncé. Vous risqueriez de briser l'interrupteur. L'utilisation d'un outil dont l'interrupteur est défectueux comporte un risque de perte de contrôle et de graves blessures.

⚠ AVERTISSEMENT : N'utilisez JAMAIS un outil dont le fonctionnement de la gâchette est défectueux. Tout outil dont la gâchette est défectueuse est EXTRÊMEMENT DANGEREUX et doit être réparé avant toute nouvelle utilisation, autrement cela présente un risque de graves blessures.

⚠ AVERTISSEMENT : NE bloquez JAMAIS le bouton de sécurité avec du ruban ou de toute autre manière. Une gâchette dont le bouton de sécurité est bloqué comporte un risque d'activation accidentelle pouvant entraîner de graves blessures.

⚠ AVERTISSEMENT : N'utilisez JAMAIS l'outil s'il se met en marche lorsque vous enclenchez simplement la gâchette sans avoir enfoncé le bouton de sécurité. Une gâchette devant être réparée comporte un risque d'activation accidentelle pouvant entraîner de graves blessures. Confiez l'outil à un centre d'entretien Makita pour le faire réparer AVANT de poursuivre l'utilisation.

► **Fig.24:** 1. Gâchette 2. Bouton de sécurité 3. Orifice pour cadenas

Pour éviter tout déclenchement accidentel de la gâchette, l'outil est muni d'un bouton de sécurité. Pour démarrer l'outil, enfoncez le bouton de sécurité puis appuyez sur la gâchette. Pour l'arrêter, relâchez la gâchette.

Un orifice a été prévu sur la gâchette pour insérer un cadenas afin de verrouiller l'outil.

⚠ AVERTISSEMENT : N'utilisez pas un cadenas dont la tige ou le câble a un diamètre inférieur à 6,35 mm (1/4"). Une tige ou un câble plus mince risquerait de ne pas verrouiller correctement l'outil en position d'arrêt, ce qui comporte un risque d'activation accidentelle pouvant entraîner de graves blessures.

Fonction électronique

Commande de vitesse constante

L'outil est pourvu d'une commande de vitesse électronique permettant de maintenir une vitesse de rotation de la lame constante même sous charge. Une vitesse de rotation de la lame constante produit des coupes très régulières.

Fonction de démarrage en douceur

Cette fonction permet le démarrage en douceur de l'outil en limitant le couple de démarrage.

Action du faisceau laser

Pour le modèle LS1019L uniquement

⚠ ATTENTION : Ne regardez jamais dans le faisceau laser. Le faisceau laser direct peut entraîner des lésions oculaires.

Pour activer le faisceau laser, appuyez sur la position supérieure (I) de l'interrupteur. Pour désactiver le faisceau laser, appuyez sur la position inférieure (O) de l'interrupteur.

► **Fig.25:** 1. Interrupteur pour le laser

Le rayon laser peut être décalé vers la gauche ou la droite de la lame de scie en tournant la vis de réglage comme suit.

► **Fig.26:** 1. Vis de réglage

1. Desserrez la vis de réglage en la tournant dans le sens inverse des aiguilles d'une montre.
2. Une fois la vis de réglage desserrée, faites-la glisser à droite ou à gauche à fond.
3. Serrez fermement la vis de réglage sur la position où elle cesse de glisser.

NOTE : Le rayon laser est réglé en usine de sorte à être positionné à une distance de 1 mm de la surface latérale de la lame (position de coupe).

NOTE : Si le rayon laser semble sombre et difficile à voir à cause des rayons directs du soleil, déplacez l'espace de travail dans un endroit moins ensoleillé.

Alignement du rayon laser

Alignez le trait de coupe sur votre pièce avec le rayon laser.

► **Fig.27**

A) Pour obtenir les bonnes dimensions du côté gauche de la pièce, décalez le rayon laser vers la gauche de la lame.

B) Pour obtenir les bonnes dimensions du côté droit de la pièce, décalez le rayon laser vers la droite de la lame.

NOTE : Utilisez un parement de bois contre le guide pour aligner le trait de coupe avec le rayon laser sur le côté du guide pour la coupe mixte (angle de coupe en biseau de 45° et angle de coupe d'onglet droit de 45°).

ASSEMBLAGE

⚠ AVERTISSEMENT : Avant toute intervention sur l'outil, assurez-vous toujours que l'outil est hors tension et débranché. Si vous ne mettez pas l'outil hors tension et ne le débranchez pas, cela présente un risque de graves blessures.

Rangement de la clé hexagonale

Lorsque vous n'utilisez pas la clé hexagonale, rangez-la tel qu'indiqué sur l'illustration pour éviter de la perdre.

► **Fig.28:** 1. Clé hexagonale

Retrait et pose de la lame de scie

⚠ AVERTISSEMENT : Avant de poser ou de retirer la lame, assurez-vous toujours que l'outil est hors tension et débranché. Le démarrage accidentel de l'outil peut entraîner de graves blessures.

⚠ AVERTISSEMENT : Utilisez exclusivement la clé Makita fournie pour poser ou retirer la lame. Si vous n'utilisez pas la clé, le boulon à tête cylindrique à six pans creux risque d'être trop ou pas assez serré, ce qui pourrait entraîner de graves blessures.

Verrouillez toujours le chariot en position levée lors du retrait et de la pose de la lame. Tirez sur la broche d'arrêt et tournez-la de 90° avec le chariot levé.

► **Fig.29:** 1. Position déverrouillée 2. Position verrouillée 3. Broche d'arrêt

Retrait de la lame

Desserrez le boulon à tête cylindrique à six pans creux maintenant le capot central au moyen de la clé hexagonale. Soulevez le protecteur de lame et le capot central.

► **Fig.30:** 1. Capot central 2. Clé hexagonale 3. Protecteur de lame

Appuyez sur le blocage de l'arbre pour verrouiller l'axe et utilisez la clé hexagonale pour desserrer le boulon à tête cylindrique à six pans creux. Ensuite, retirez le boulon à tête cylindrique à six pans creux, le flasque extérieur et la lame.

► **Fig.31:** 1. Blocage de l'arbre 2. Clé hexagonale 3. Boulon à tête cylindrique à six pans creux (filetage à gauche) 4. Desserrer 5. Serrer

Pose de la lame

Fixez la lame soigneusement sur l'axe en vous assurant que le sens de la flèche sur la surface de la lame correspond au sens de la flèche sur le porte-lame.

► **Fig.32:** 1. Flèche sur le porte-lame 2. Flèche sur la lame

Installez le flasque extérieur et le boulon à tête cylindrique à six pans creux. Serrez le boulon à tête cylindrique à six pans creux dans le sens inverse des aiguilles d'une montre au moyen de la clé hexagonale tout en enfonçant le blocage de l'arbre.

► **Fig.33:** 1. Boulon à tête cylindrique à six pans creux 2. Flasque extérieur 3. Lame de scie 4. Flasque intérieur 5. Axe 6. Bague

REMARQUE : Si le flasque intérieur est retiré, veillez à l'installer sur l'axe avec sa partie saillante éloignée de la lame. Si le flasque n'est pas posé correctement, il frottera contre l'outil.

Remettez le protecteur de lame et le capot central en position initiale. Puis serrez le boulon à tête cylindrique à six pans creux dans le sens des aiguilles d'une montre pour fixer le capot central. Déverrouillez la broche d'arrêt pour dégager le chariot de la position levée. Abaissez la poignée pour vous assurer que le protecteur de lame se déplace adéquatement. Avant de passer à la coupe, vérifiez que le blocage de l'arbre n'est pas engagé sur l'axe.

⚠ AVERTISSEMENT : Avant de poser la lame sur l'axe, assurez-vous toujours qu'une bague adéquate pour l'alésage central de la lame que vous prévoyez d'utiliser est installée entre les flasques intérieur et extérieur. L'utilisation d'une bague d'alésage central inadéquate peut être à l'origine d'une pose incorrecte de la lame, provoquant le mouvement de la lame et d'importantes vibrations susceptibles d'entraîner la perte de contrôle en cours de fonctionnement et de graves blessures.

Raccordement à un aspirateur

Pour effectuer une opération de coupe propre, raccordez un aspirateur Makita au raccord à poussière au moyen de manchons avant 24 (accessoire en option).

► **Fig.34:** 1. Manchons avant 24 2. Tuyau 3. Aspirateur

Sac à poussière

L'utilisation du sac à poussière garantit une coupe propre et facilite la collecte de la poussière. Pour fixer le sac à poussière, retirez le tuyau d'extraction de poussière sur l'outil et raccordez le sac à poussière.

► **Fig.35:** 1. Tuyau d'extraction de poussière 2. Sac à poussière

Lorsque le sac à poussière est environ à moitié plein, retirez-le de l'outil et tirez sur la barrette. Videz le sac à poussière en le tapotant légèrement pour retirer les particules qui adhèrent à sa surface intérieure et risqueraient de faire obstacle à la collecte de la poussière par la suite.

► **Fig.36:** 1. Barrette

Fixation de la pièce de travail

⚠ AVERTISSEMENT : Il est très important de toujours immobiliser fermement la pièce au moyen d'un étau du bon type ou des butées pour moule couronnée. Autrement, vous risquez de gravement vous blesser et d'abîmer l'outil et/ou la pièce à travailler.

⚠ AVERTISSEMENT : Après une opération de coupe, ne soulevez pas la lame tant qu'elle n'est pas complètement arrêtée. Vous risquez de gravement vous blesser et d'abîmer la pièce si vous soulevez la lame alors qu'elle tourne encore.

⚠ AVERTISSEMENT : Lorsque vous coupez une pièce plus longue que la base du support de la scie, la pièce doit être soutenue sur toute sa longueur au-delà de la base du support et au même niveau pour la maintenir à plat. Une pièce bien soutenue réduit les risques de coincements de la lame et de chocs en retour, qui peuvent entraîner de graves blessures. Ne vous fiez pas uniquement à un étau vertical et/ou un étau horizontal pour immobiliser la pièce. Les matériaux minces ont tendance à s'affaisser. Soutenez la pièce sur toute sa longueur, pour éviter que la lame ne se coince et provoque un éventuel CHOC EN RETOUR.

► **Fig.37:** 1. Support 2. Socle rotatif

Guides

⚠ AVERTISSEMENT : Avant d'utiliser l'outil, assurez-vous que le guide supérieur est solidement fixé.

⚠ AVERTISSEMENT : Avant la coupe en biseau, assurez-vous qu'aucune partie de l'outil, particulièrement la lame, n'entre en contact avec les guides supérieur et inférieur lors de l'abaissement et du soulèvement complets de la poignée sur n'importe quelle position et pendant le déplacement du chariot sur toute sa course. Si l'outil ou la lame entre en contact avec le guide, cela peut provoquer un choc en retour ou le déplacement inattendu de la pièce et de graves blessures.

Utilisez des guides supérieurs pour soutenir la pièce plus haut que les guides inférieurs. Insérez le guide supérieur dans l'orifice sur le guide inférieur et serrez la vis de serrage.

► **Fig.38:** 1. Guide supérieur 2. Guide inférieur 3. Vis de serrage 4. Vis de réglage

REMARQUE : Les guides inférieurs sont fixés sur le socle en usine. Ne retirez pas les guides inférieurs.

REMARQUE : Si le guide supérieur demeure lâche après avoir serré la vis de serrage, tournez la vis de réglage pour combler le vide. La vis de réglage est ajustée en usine. Son utilisation est facultative.

Vous pouvez ranger les guides supérieurs sur la servante lorsque vous ne les utilisez pas. Utilisez la pince sur le guide supérieur pour le tenir à la servante.

► **Fig.39:** 1. Servante 2. Guide supérieur 3. Pince

Étau vertical

⚠ AVERTISSEMENT : La pièce doit être fixée fermement sur le socle rotatif et le guide avec l'étau pendant toutes les opérations. Si la pièce n'est pas correctement fixée contre le guide, elle peut bouger pendant l'opération de coupe endommageant potentiellement la lame, provoquant la projection de la pièce et la perte de contrôle, ce qui présente un risque de graves blessures.

► **Fig.40:** 1. Bras de l'étau 2. Tige de l'étau 3. Vis de serrage 4. Poignée de l'étau

L'étau vertical peut être installé sur deux positions, du côté gauche ou du côté droit du socle. Engagez la tige de l'étau dans l'orifice du socle.

Placez le bras de l'étau en fonction de l'épaisseur et de la forme de la pièce et fixez le bras de l'étau en serrant la vis. Si la vis de serrage entre en contact avec le chariot, installez-la de l'autre côté du bras de l'étau. Assurez-vous qu'aucune partie de l'outil n'entre en contact avec l'étau lorsque vous abaissez complètement la poignée. Si une quelconque partie de l'outil entre en contact avec l'étau, modifiez son emplacement.

Appuyez la pièce à plat contre le guide et le socle rotatif. Placez la pièce sur la position de coupe désirée et maintenez-la en place en serrant à fond la poignée de l'étau.

NOTE : Pour un réglage rapide de la pièce, tournez la poignée de l'étau de 90° dans le sens inverse des aiguilles d'une montre permet de la déplacer en haut et en bas. Pour fixer en place la pièce après le réglage, tournez la poignée de l'étau dans le sens des aiguilles d'une montre.

Étau horizontal

Accessoire en option

⚠ AVERTISSEMENT : Tournez toujours l'écrou de l'étau dans le sens des aiguilles d'une montre jusqu'à ce que la pièce soit solidement fixée. Si la pièce n'est pas correctement fixée, elle peut bouger pendant l'opération de coupe endommageant potentiellement la lame, provoquant la projection de la pièce et la perte de contrôle, ce qui présente un risque de graves blessures.

⚠ AVERTISSEMENT : Pour couper une pièce fine, comme une plinthe, contre le guide, utilisez toujours l'étau horizontal.

L'étau horizontal peut être installé sur deux positions, du côté gauche ou du côté droit du socle. Lors de coupes d'onglet de 22,5° ou plus, installez l'étau horizontal sur le côté inverse au sens de rotation du socle rotatif.

► **Fig.41:** 1. Talon de l'étau 2. Écrou de l'étau 3. Poignée de l'étau

En faisant basculer l'écrou de l'étau dans le sens inverse des aiguilles d'une montre, l'étau est libéré et se déplace rapidement d'avant en arrière. Pour saisir la pièce, poussez la poignée de l'étau vers l'avant jusqu'à ce que le talon de l'étau entre en contact avec la pièce et faites basculer l'écrou de l'étau dans le sens des aiguilles d'une montre. Ensuite, tournez la poignée de l'étau dans le sens des aiguilles d'une montre pour maintenir la pièce en place.

NOTE : La largeur maximum d'une pièce pouvant être maintenue par l'étau horizontal est de 228 mm.

Servantes

⚠ AVERTISSEMENT : Soutenez toujours une pièce de grande longueur de sorte qu'elle se trouve au même niveau que la surface supérieure du socle rotatif pour effectuer une coupe de précision et prévenir la perte de contrôle de l'outil. Une pièce bien soutenue réduit les risques de coincements de la lame et de chocs en retour, qui peuvent entraîner de graves blessures.

Pour soutenir horizontalement les longues pièces, des servantes sont prévues de chaque côté de l'outil. Desserrez les vis et étendez les servantes à la longueur appropriée pour soutenir la pièce. Serrez ensuite les vis.

► **Fig.42:** 1. Servante 2. Vis

UTILISATION

⚠️ AVERTISSEMENT : Avant de mettre la sous tension, assurez-vous que la lame ne touche pas la pièce, etc. Il y a risque de choc en retour et de graves blessures si vous mettez la sous tension alors que la lame est en contact avec la pièce à travailler.

⚠️ AVERTISSEMENT : Après la coupe, ne soulevez la lame qu'une fois celle-ci parfaitement arrêtée. Vous risquez de gravement vous blesser et d'abîmer la pièce si vous soulevez la lame alors qu'elle tourne encore.

⚠️ AVERTISSEMENT : Ne procédez à aucun réglage comme tourner le manche, la molette et les leviers sur l'outil pendant la rotation de la lame. Tout réglage pendant la rotation de la lame présente un risque de graves blessures.

REMARQUE : Avant utilisation, veillez à déverrouiller la broche d'arrêt et à dégager la poignée de la position abaissée.

REMARQUE : Pendant la coupe, n'appliquez pas une pression excessive sur la poignée. Une force excessive risquerait de provoquer une surcharge du moteur et/ou une diminution de la capacité de coupe. Appuyez sur la poignée en appliquant uniquement la force nécessaire pour obtenir une coupe en douceur sans diminuer de façon significative la vitesse de la lame.

REMARQUE : Appuyez doucement sur la poignée pour effectuer la coupe. Si vous appuyez trop fort sur la poignée ou appuyez latéralement, la lame risque de vibrer et de laisser une marque (marque de sciage) sur la pièce ; la précision de coupe sera également affectée.

REMARQUE : Lors d'une coupe en glissière, poussez doucement le chariot vers le guide, sans arrêter. Si le mouvement du chariot est arrêté pendant la coupe, cela risque de laisser une marque sur la pièce et la précision de la coupe pourrait en souffrir.

Coupe sous presse

⚠️ AVERTISSEMENT : Verrouillez toujours le mouvement de coulissement du chariot lorsque vous effectuez une coupe sous presse. Couper sans verrouiller peut provoquer un choc en retour, ce qui présente un risque de graves blessures.

Vous pouvez couper des pièces pouvant atteindre 68 mm de haut et 160 mm de large, en procédant comme suit.

► Fig.43: 1. Broche d'arrêt

1. Poussez le chariot vers le guide jusqu'à ce qu'il s'arrête et verrouillez-le avec la broche d'arrêt.
2. Immobilisez la pièce à travailler avec un étau du bon type.
3. Mettez l'outil en marche alors que la lame ne touche à rien et attendez qu'elle ait atteint sa pleine vitesse avant de l'abaisser.

4. Abaissez doucement la poignée sur la position la plus basse pour couper la pièce.

5. Lorsque la coupe est terminée, coupez le contact de l'outil et attendez que la lame se soit complètement arrêtée avant de ramener la lame en position complètement relevée.

Coupe en glissière (poussée) (coupe de grandes pièces)

⚠️ AVERTISSEMENT : Chaque fois que vous effectuez une coupe en glissière, tirez d'abord le chariot complètement vers vous et abaissez complètement la poignée, puis poussez le chariot vers le guide. Ne commencez jamais la coupe alors que le chariot n'est pas complètement tiré vers vous. Si vous effectuez une coupe en glissière sans avoir tiré complètement le chariot vers vous, il se peut que la lame effectue un soudain choc en retour pouvant entraîner de graves blessures.

⚠️ AVERTISSEMENT : N'essayez jamais d'effectuer une coupe en glissière en tirant le chariot vers vous. Si vous tirez le chariot vers vous pendant la coupe, il se peut que la lame effectue un soudain choc en retour pouvant entraîner de graves blessures.

⚠️ AVERTISSEMENT : N'effectuez jamais une coupe en glissière alors que la poignée a été verrouillée en position abaissée.

► Fig.44: 1. Broche d'arrêt

1. Déverrouillez la broche d'arrêt de sorte que le chariot puisse coulisser librement.
2. Immobilisez la pièce à travailler avec un étau du bon type.
3. Tirez complètement le chariot vers vous.
4. Mettez l'outil en marche alors que la lame ne touche à rien et attendez qu'elle ait atteint sa pleine vitesse.
5. Appuyez sur la poignée et poussez le chariot vers le guide et tout au long de la pièce.
6. Lorsque la coupe est terminée, coupez le contact de l'outil et attendez que la lame se soit complètement arrêtée avant de ramener la lame en position complètement relevée.

Coupe d'onglet

Reportez-vous à la section précédente « Réglage de l'angle de coupe d'onglet ».

Coupe en biseau

⚠ AVERTISSEMENT : Après avoir réglé la lame pour une coupe en biseau, assurez-vous que le chariot et la lame pourront se déplacer librement sur toute l'étendue prévue pour la coupe avant d'utiliser l'outil. L'interruption du chariot ou de la lame en cours de déplacement lors de la coupe peut causer un choc en retour et entraîner de graves blessures.

⚠ AVERTISSEMENT : Lors de l'exécution d'une coupe en biseau, gardez les mains hors de la trajectoire de la lame. L'angle de la lame peut induire l'utilisateur en erreur concernant la véritable trajectoire de la lame pendant la coupe, ce qui comporte un risque de graves blessures au contact de la lame.

⚠ AVERTISSEMENT : La lame ne doit être soulevée qu'une fois complètement arrêtée. Lors d'une coupe en biseau, il se peut que la partie coupée de la pièce vienne s'appuyer contre la lame. Si vous soulevez la lame alors qu'elle tourne encore, la partie coupée de la pièce risquera d'être éjectée par la lame, et ce fragment éjecté peut provoquer de graves blessures.

REMARQUE : En appuyant sur la poignée, exercez une pression en parallèle à la lame. Si vous appuyez perpendiculairement au socle rotatif, ou si la pression change de sens pendant la coupe, la précision de coupe en souffrira.

► Fig.45

1. Retirez le guide supérieur sur le côté duquel vous inclinerez le chariot.
2. Déverrouillez la broche d'arrêt.
3. Ajustez l'angle de coupe en biseau selon la procédure expliquée dans la section « Réglage de l'angle de coupe en biseau ». Puis serrez la molette.
4. Assurez la pièce avec un étau.
5. Tirez complètement le chariot vers vous.
6. Mettez l'outil en marche alors que la lame ne touche à rien et attendez qu'elle ait atteint sa pleine vitesse.
7. Abaissez doucement la poignée sur la position la plus basse tout en appliquant une pression parallèle à la lame et **poussez le chariot vers le guide pour couper la pièce.**
8. Lorsque la coupe est terminée, coupez le contact de l'outil et **attendez que la lame se soit complètement arrêtée** avant de ramener la lame en position complètement relevée.

Coupe mixte

La coupe mixte consiste à appliquer un angle de coupe en biseau tout en effectuant une coupe d'onglet sur une pièce. La coupe mixte est possible à l'angle indiqué dans le tableau.

| Angle de coupe d'onglet | Angle de coupe en biseau |
|---------------------------|---------------------------|
| Gauche et droite 0° - 45° | Gauche et droite 0° - 45° |

Lors de la coupe mixte, consultez les explications de « Coupe sous presse », « Coupe en glissière (poussée) », « Coupe d'onglet » et « Coupe en biseau ».

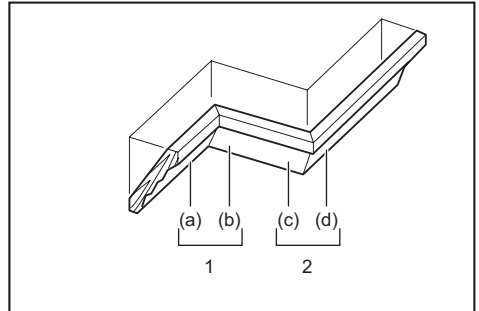
Coupe de moulures couronnées et concaves

Les moulures couronnées et concaves peuvent être coupées avec une scie radiale combinée, en les déposant à plat sur le socle rotatif.

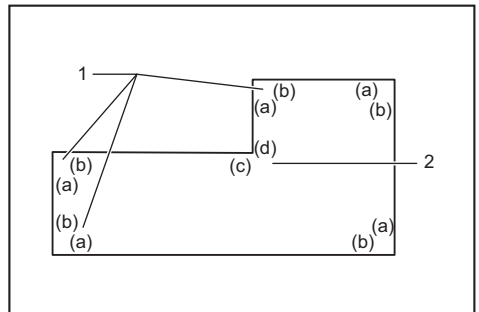
Il existe deux types courants de moulures couronnées et un type de moulure concave, à savoir : les moulures couronnées pour angles de murs respectifs de 52/38° et 45°, et les moulures concaves pour angle de mur de 45°.

- Fig.46: 1. Moulure couronnée du type 52/38°
2. Moulure couronnée du type 45°
3. Moulure concave du type 45°

Il existe des joints de moulures couronnées et concaves qui s'adaptent aux coins « intérieurs » de 90° ((a) et (b) sur la figure), et aux coins « extérieurs » de 90° ((c) et (d) sur la figure).



1. Coin intérieur 2. Coin extérieur



1. Coin intérieur 2. Coin extérieur

Mesure

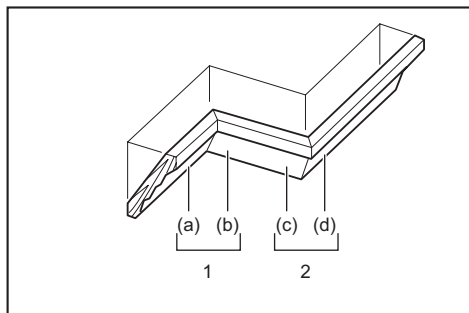
Mesurez la largeur du mur et ajustez la largeur de la pièce conformément. Assurez-vous toujours que la largeur du bord de contact avec le mur de la pièce est identique à la longueur du mur.

- Fig.47: 1. Pièce 2. Largeur du mur 3. Largeur de la pièce 4. Bord de contact avec le mur

Vérifiez toujours les angles de coupe de la scie en effectuant des tests sur quelques morceaux.

Pour couper des moulures couronnées et concaves, réglez l'angle de coupe en biseau et l'angle de coupe d'onglet tel qu'indiqué dans le tableau (A), et placez les moulures sur la face supérieure du socle de la scie, tel qu'indiqué dans le tableau (B).

Dans le cas d'une coupe en biseau sur la gauche



1. Coin intérieur 2. Coin extérieur

Tableau (A)

| - | Position de moulure sur la figure | Angle de coupe en biseau | | Angle de coupe d'onglet | |
|---------------------|-----------------------------------|--------------------------|------------|-------------------------|--------------|
| | | Type 52/38° | Type 45° | Type 52/38° | Type 45° |
| Pour coin intérieur | (a) | Gauche 33,9° | Gauche 30° | Droite 31,6° | Droite 35,3° |
| | (b) | | | Gauche 31,6° | Gauche 35,3° |
| Pour coin extérieur | (c) | | | Droite 31,6° | Droite 35,3° |
| | (d) | | | Droite 31,6° | Droite 35,3° |

Tableau (B)

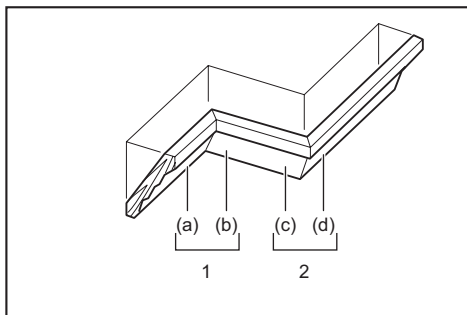
| - | Position de moulure sur la figure | Bord de moulure contre le guide | Partie de la pièce à utiliser |
|---------------------|-----------------------------------|---|--|
| Pour coin intérieur | (a) | Le bord de contact avec le plafond doit être contre le guide. | La partie de la pièce à utiliser sera du côté gauche de la lame. |
| | (b) | Le bord de contact avec le mur doit être contre le guide. | |
| Pour coin extérieur | (c) | Le bord de contact avec le mur doit être contre le guide. | La partie de la pièce à utiliser sera du côté droit de la lame. |
| | (d) | Le bord de contact avec le plafond doit être contre le guide. | |

Exemple :

Dans le cas d'une coupe de moulure couronnée du type 52/38° pour la position (a) sur la figure ci-dessus :

- Réglez l'angle de coupe en biseau et immobilisez-le sur 33,9° vers la GAUCHE.
- Réglez l'angle de coupe d'onglet et immobilisez-le sur 31,6° vers la DROITE.
- Déposez sur le socle rotatif la moulure couronnée, face arrière large (cachée) orientée vers le bas, et en plaçant le BORD DE CONTACT AVEC LE PLAFOND contre le guide de la scie.
- La partie de la pièce à utiliser doit toujours être du côté GAUCHE de la lame une fois la coupe terminée.

Pour la coupe en biseau droite



1. Coin intérieur 2. Coin extérieur

Tableau (A)

| - | Position de moulure sur la figure | Angle de coupe en biseau | | Angle de coupe d'onglet | |
|---------------------|-----------------------------------|--------------------------|------------|-------------------------|--------------|
| | | Type 52/38° | Type 45° | Type 52/38° | Type 45° |
| Pour coin intérieur | (a) | Droite 33,9° | Droite 30° | Droite 31,6° | Droite 35,3° |
| | (b) | | | Gauche 31,6° | Gauche 35,3° |
| Pour coin extérieur | (c) | | | Droite 31,6° | Droite 35,3° |
| | (d) | | | Droite 31,6° | Droite 35,3° |

Tableau (B)

| - | Position de moulure sur la figure | Bord de moulure contre le guide | Partie de la pièce à utiliser |
|---------------------|-----------------------------------|---|--|
| Pour coin intérieur | (a) | Le bord de contact avec le mur doit être contre le guide. | La partie de la pièce à utiliser sera du côté droit de la lame. |
| | (b) | Le bord de contact avec le plafond doit être contre le guide. | |
| Pour coin extérieur | (c) | Le bord de contact avec le mur doit être contre le guide. | La partie de la pièce à utiliser sera du côté gauche de la lame. |
| | (d) | Le bord de contact avec le mur doit être contre le guide. | |

Exemple :

Dans le cas d'une coupe de moulure couronnée du type 52/38° pour la position (a) sur la figure ci-dessus :

- Inclinez et fixez le réglage de l'angle de coupe en biseau sur 33,9° DROITE.
- Réglez l'angle de coupe d'onglet et immobilisez-le sur 31,6° vers la DROITE.
- Déposez sur le socle rotatif la moulure couronnée, face arrière large (cachée) orientée vers le bas, et en plaçant le BORD DE CONTACT AVEC LE MUR contre le guide de la scie.
- La partie de la pièce à utiliser doit toujours être du côté DROIT de la lame une fois la coupe terminée.

Butée pour moulure couronnée

Accessoire en option

Les butées pour moulure couronnée facilitent les coupes de moulure couronnée sans avoir à incliner la lame de scie. Installez-les sur le socle rotatif comme illustré sur les figures.

À un angle de coupe d'onglet droit de 45°

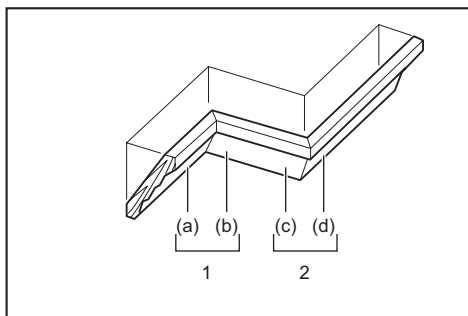
- **Fig.48:** 1. Butée pour moulure couronnée G
2. Butée pour moulure couronnée D
3. Socle rotatif 4. Guide

À un angle de coupe d'onglet gauche de 45°

- **Fig.49:** 1. Butée pour moulure couronnée G
2. Butée pour moulure couronnée D
3. Socle rotatif 4. Guide

Positionnez la moulure couronnée avec son BORD DE CONTACT AVEC LE MUR contre le guide et son BORD DE CONTACT AVEC LE PLAFOND contre les butées pour moulure couronnée comme illustré sur la figure. Réglez les butées pour moulure couronnée selon les dimensions de la moulure couronnée. Serrez les vis pour maintenir en place les butées pour moulure couronnée. Reportez-vous au tableau (C) pour l'angle de coupe d'onglet.

- **Fig.50:** 1. Guide 2. Butée pour moulure couronnée



1. Coin intérieur 2. Coin extérieur

Tableau (C)

| – | Position de moulure sur la figure | Angle de coupe d'onglet | Partie de la pièce à utiliser |
|---------------------|-----------------------------------|-------------------------|--|
| Pour coin intérieur | (a) | Droite 45° | Conserver la pièce à droite de la lame |
| | (b) | Gauche 45° | Conserver la pièce à gauche de la lame |
| Pour coin extérieur | (c) | | Conserver la pièce à droite de la lame |
| | (d) | Droite 45° | Conserver la pièce à gauche de la lame |

Coupe d'aluminium extrudé

- **Fig.51:** 1. Étau 2. Bloc espaceur 3. Guide
4. Aluminium extrudé 5. Bloc espaceur

Pour immobiliser des pièces en aluminium extrudé, utilisez des blocs espaceurs ou des morceaux de ferraille comme illustré sur la figure pour éviter une déformation de l'aluminium. Utilisez un lubrifiant de coupe pour couper de l'aluminium extrudé afin d'éviter l'accumulation de matériau en aluminium sur la lame.

⚠ AVERTISSEMENT : N'essayez jamais de couper des morceaux épais ou arrondis d'aluminium extrudé. Les morceaux épais ou arrondis d'aluminium extrudé peuvent être difficiles à maintenir en place et la pièce peut se desserrer pendant l'opération de coupe, ce qui peut provoquer une perte de contrôle et de graves blessures.

Rainurage

⚠ AVERTISSEMENT : Ne tentez pas d'effectuer ce type de coupe au moyen d'une lame plus large ou d'une lame à rainer. La coupe risque de donner des résultats décevants si vous tentez d'effectuer le rainurage avec une lame plus large ou une lame à rainer, et il y a risque de choc en retour pouvant provoquer de graves blessures.

⚠ AVERTISSEMENT : Assurez-vous d'avoir remis le bras de blocage en position initiale avant d'effectuer un autre type de coupe que le rainurage. La coupe risque de donner des résultats décevants si vous tentez de l'effectuer avec le bras de blocage en position incorrecte, et il y a risque de choc en retour pouvant provoquer de graves blessures.

Des rainures peuvent être effectuées en procédant comme suit :

1. Ajustez la position limite inférieure de la lame au moyen de la vis de réglage et du bras de blocage pour limiter la profondeur de coupe de la lame. Reportez-vous à la section « Bras de blocage » ci-dessus.
2. Après avoir ajusté la position limite inférieure de la lame, coupez des rainures parallèles sur la largeur de la pièce, en procédant par coupe en glissière (poussée).
► **Fig.52:** 1. Couper des rainures avec la lame

3. Retirez le matériau de la pièce entre les rainures, au moyen d'un ciseau.

Transport de l'outil

Avant le transport, assurez-vous que l'outil est débranché et que toutes les pièces mobiles de la scie radiale sont maintenues en place. Vérifiez toujours les points suivants :

- L'outil est débranché.
- Le chariot est à un angle de coupe en biseau de 0° et fixé.
- Le chariot est abaissé et verrouillé.
- Le chariot est complètement couléssé sur le guide et verrouillé.
- Le socle rotatif est dans la position d'angle de coupe d'onglet complètement à droite et fixé.
- Les servantes sont rangées et maintenues en place.

Saisissez l'outil par les deux côtés du socle pour le transporter comme illustré sur la figure.

- **Fig.53**

⚠ AVERTISSEMENT : La broche d'arrêt pour le soulèvement du chariot sert à des fins de transport et de rangement uniquement et pas pour les opérations de coupe. L'utilisation de la broche d'arrêt pour les opérations de coupe peut causer le déplacement inattendu de la lame de scie et provoquer un choc en retour et de graves blessures.

⚠ ATTENTION : Immobilisez toujours toutes les pièces mobiles de l'outil avant de le transporter. Si des pièces de l'outil bougent ou glissent pendant que vous le transportez, vous risquerez d'en perdre le contrôle ou de perdre l'équilibre, ce qui comporte un risque de blessure.

ENTRETIEN

⚠ AVERTISSEMENT : Assurez-vous toujours que l'outil est hors tension et débranché avant d'y effectuer tout travail d'inspection ou d'entretien. Si vous ne mettez pas l'outil hors tension et ne le débranchez pas, cela présente un risque de graves blessures en cas de démarrage accidentel.

⚠ AVERTISSEMENT : Pour obtenir de l'outil une performance optimale et une sécurité maximale, assurez-vous toujours que la lame est affûtée et propre. Si vous tentez d'effectuer la coupe avec une lame émoussée et/ou sale, cela présente un risque de choc en retour et de graves blessures.

REMARQUE : N'utilisez jamais d'essence, benzine, diluant, alcool ou autre produit similaire. Cela risquerait de provoquer la décoloration, la déformation ou la fissuration de l'outil.

Réglage de l'angle de coupe

L'outil a été soigneusement réglé et aligné en usine, mais une manipulation maladroite a pu dérégler l'alignement. Si l'outil n'est pas aligné correctement, effectuez les opérations suivantes :

Angle de coupe d'onglet

Abaissez complètement la poignée et verrouillez-la sur la position abaissée avec la broche d'arrêt. Poussez le chariot vers le guide. Desserrez le manche et les vis qui maintiennent en place l'index et la graduation d'angles de coupe d'onglet.

► **Fig.54:** 1. Vis sur l'index 2. Vis sur la graduation d'angles de coupe d'onglet 3. Graduation d'angles de coupe d'onglet

Réglez le socle rotatif sur la position 0° au moyen de la fonction de butée fixe. Redressez le côté de la lame avec la face du guide à l'aide d'une règle triangulaire ou d'une équerre de menuisier. Tout en maintenant l'angle droit, serrez les vis sur la graduation d'angles de coupe d'onglet. Après cela, alignez les index (gauche et droit) sur la position 0° sur la graduation d'angles de coupe d'onglet, puis serrez la vis sur l'index.

► **Fig.55:** 1. Règle triangulaire

Angle de coupe en biseau

Angle de coupe en biseau 0°

Poussez le chariot vers le guide et verrouillez le mouvement de coulissement avec la broche d'arrêt. Abaissez complètement la poignée et verrouillez-la sur la position abaissée avec la broche d'arrêt, puis desserrez la molette. Tournez le boulon de réglage à 0° de deux ou trois tours dans le sens inverse des aiguilles d'une montre pour incliner la lame vers la droite.

► **Fig.56:** 1. Boulon de réglage à 0° 2. Vis

Redressez soigneusement le côté de la lame avec la surface supérieure du socle rotatif à l'aide d'une règle triangulaire, d'une équerre de menuisier, etc. en tournant le boulon de réglage à 0° dans le sens des aiguilles d'une montre. Serrez ensuite fermement la molette pour fixer l'angle de 0° que vous avez réglé.

► **Fig.57:** 1. Règle triangulaire 2. Lame de scie 3. Surface supérieure du socle rotatif

Vérifiez à nouveau si le côté de la lame est perpendiculaire à la surface du socle rotatif. Desserrez la vis sur l'index. Alignez l'index sur la position 0° sur la graduation d'angles de coupe en biseau, puis serrez la vis.

Angle de coupe en biseau 45°

REMARQUE : Avant de régler l'angle de coupe en biseau de 45°, terminez le réglage de l'angle de coupe en biseau de 0°.

Desserrez la molette et inclinez complètement le chariot vers le côté que vous souhaitez vérifier. Vérifiez si l'index indique la position 45° sur la graduation d'angles de coupe en biseau.

► **Fig.58**

Si l'index n'indique pas la position 45°, alignez-le sur la position 45° en tournant le boulon de réglage sur le côté opposé de la graduation d'angles de coupe en biseau.

► **Fig.59:** 1. Boulon de réglage de 45° vers la gauche 2. Boulon de réglage de 45° vers la droite

Réglage de la position du rayon laser

Pour le modèle LS1019L uniquement

⚠ AVERTISSEMENT : L'outil doit être branché pendant le réglage du rayon laser. Redoublez de précaution pour ne pas mettre sous tension l'outil pendant le réglage. Le démarrage accidentel de l'outil peut entraîner de graves blessures.

⚠ ATTENTION : Ne regardez jamais directement le faisceau laser. Une exposition directe des yeux avec le faisceau peut provoquer de graves lésions oculaires.

REMARQUE : Vérifiez régulièrement la précision du rayon laser.

REMARQUE : Faites attention aux impacts sur l'outil. Ils peuvent désaligner le rayon laser ou endommager le laser, diminuant sa durée de vie.

REMARQUE : Faites réparer l'outil par un centre de service après-vente Makita agréé en cas de défaillance de l'unité laser.

La plage de mouvement du rayon laser est déterminée par les vis de réglage de la portée des deux côtés. Procédez comme indiqué ci-après pour modifier la position du rayon laser.

1. Débranchez l'outil.
2. Dessinez un trait de coupe sur la pièce et placez-la sur le socle rotatif. Ne fixez pas encore la pièce avec un étau ou autre dispositif similaire de fixation.
3. Abaissez la poignée et alignez le trait de coupe avec la lame de scie.
4. Ramenez la poignée sur la position initiale et fixez la pièce avec l'étau vertical de sorte que la pièce ne bouge pas de la position que vous avez déterminée.
5. Branchez l'outil et placez l'interrupteur du laser sur marche.
6. Desserrez les vis de réglage. Pour éloigner le rayon laser de la lame, tournez les vis de réglage de la portée dans le sens inverse des aiguilles d'une montre. Pour rapprocher le rayon laser de la lame, tournez la vis de réglage de la portée dans le sens des aiguilles d'une montre.

Réglage du rayon laser du côté gauche de la lame

- **Fig.60:** 1. Vis de réglage 2. Vis de réglage de la portée 3. Clé hexagonale 4. Rayon laser 5. Lame de scie

Réglage du rayon laser du côté droit de la lame

- **Fig.61:** 1. Vis de réglage 2. Vis de réglage de la portée 3. Clé hexagonale 4. Rayon laser 5. Lame de scie

7. Faites glisser la vis de réglage sur la position où le rayon laser tombe sur le trait de coupe, puis serrez.

NOTE : La plage de mouvement du rayon laser est réglée en usine à une distance de 1 mm (0,04") de la surface latérale de la lame.

Nettoyage de la lentille de la lumière laser

Pour le modèle LS1019L uniquement

La lumière laser devient difficile à voir à mesure que sa lentille devient sale. Nettoyez régulièrement la lentille de la lumière laser.

- **Fig.62:** 1. Vis 2. Lentille

Débranchez l'outil. Desserrez la vis et sortez la lentille. Nettoyez délicatement la lentille avec un chiffon doux humide.

REMARQUE : Ne retirez pas la vis qui maintient la lentille en place. Si la lentille ne sort pas, desserrez davantage la vis.

REMARQUE : N'utilisez aucun solvant ou nettoyant à base de pétrole sur la lentille.

Remplacement d'un balai en carbone

- **Fig.63:** 1. Repère d'usure

Retirez et vérifiez régulièrement les balais en carbone. Remplacez-les lorsqu'ils sont usés jusqu'au trait du repère d'usure. Maintenez les balais en carbone propres et en état de glisser aisément dans les porte-charbons. Les deux balais en carbone doivent être remplacés en même temps. N'utilisez que des balais en carbone identiques.

Retirez les bouchons de porte-charbon à l'aide d'un tournevis. Enlevez les balais en carbone usés, insérez les neufs et revissez solidement les bouchons de porte-charbon.

- **Fig.64:** 1. Bouchon de porte-charbon

Après avoir remplacé les balais, branchez l'outil et rodez les balais en faisant tourner l'outil à vide pendant 10 minutes environ. Vérifiez ensuite l'outil pendant qu'il tourne et le fonctionnement du frein électrique lorsque vous relâchez la gâchette. Si le frein électrique ne fonctionne pas correctement, faites réparer l'outil par un centre de service Makita.

Après l'utilisation

Après l'utilisation, essuyez les copeaux et poussières qui adhèrent à l'outil à l'aide d'un chiffon ou d'un objet similaire. Gardez le protecteur de lame propre, conformément aux instructions fournies dans la section précédente intitulée « Protecteur de lame ». Lubrifiez les parties couissantes avec de l'huile machine pour prévenir la formation de rouille.

Pour assurer la SÉCURITÉ et la FIABILITÉ du produit, toute réparation, tout travail d'entretien ou de réglage doivent être effectués par un centre d'entretien Makita agréé, avec des pièces de rechange Makita.

ACCESSOIRES EN OPTION

⚠ AVERTISSEMENT : Les accessoires ou pièces supplémentaires Makita qui suivent sont recommandés pour l'utilisation avec l'outil Makita spécifié dans ce manuel. L'utilisation de tout autre accessoire ou pièce supplémentaire peut entraîner de graves blessures.

⚠ AVERTISSEMENT : Utilisez l'accessoire ou la pièce supplémentaire Makita uniquement dans le but spécifié. La mauvaise utilisation d'un accessoire ou d'une pièce supplémentaire peut entraîner de graves blessures.

Pour obtenir plus de détails sur ces accessoires, contactez votre centre d'entretien local Makita.

- Lames de scie en acier à dents de carbure
- Étau vertical
- Étau horizontal
- Ensemble de butées pour moulure couronnée
- Sac à poussière
- Règle triangulaire
- Clé hexagonale
- Clé hexagonale (pour LS1019L)

NOTE : Il se peut que certains éléments de la liste soient compris dans l'emballage de l'outil en tant qu'accessoires standard. Ils peuvent varier d'un pays à l'autre.

TECHNISCHE DATEN

| Modell: | | LS1019 | LS1019L |
|--|--------------------------|--------------------------|---|
| Sägeblattdurchmesser | Europäische Länder | 260 mm | |
| | Länder außerhalb Europas | 255 mm - 260 mm | |
| Lochdurchmesser | Europäische Länder | 30 mm | |
| | Länder außerhalb Europas | 25,4 mm | |
| Max. Schnittfugenbreite des Sägeblatts | | 3,2 mm | |
| Max. Gehrungswinkel | | Rechts 60°, Links 60° | |
| Max. Neigungswinkel | | Rechts 48°, Links 48° | |
| Leerlaufdrehzahl (U/min) | | 3.200 min ⁻¹ | |
| Lasertyp | | - | Roter Laser 650 nm, Maximale Leistung < 1,6 mW (Laserklasse 2M) |
| Abmessungen (L x B x H) | | 805 mm x 644 mm x 660 mm | |
| Nettogewicht | | 26,1 kg | 26,3 kg |

Schnittleistung (H x B)

| Gehrungswinkel | Neigungswinkel | | |
|------------------------|----------------------------------|----------------------------------|----------------------------------|
| | 45° (links) | 0° | 45° (rechts) |
| 0° | 42 mm x 310 mm 58 mm x 279 mm | 68 mm x 310 mm 91 mm x 279 mm | 29 mm x 310 mm 43 mm x 279 mm |
| 45° (rechts und links) | 42 mm x 218 mm 58 mm x 197 mm | 68 mm x 218 mm 91 mm x 197 mm | 29 mm x 218 mm 43 mm x 197 mm |
| 60° (rechts und links) | - | 68 mm x 155 mm 91 mm x 139 mm | - |




Schnittleistung für Sonderschnitte


| Schnitttyp | Schnittleistung |
|--|-----------------|
| Deckenleiste 45°-Typ (bei Verwendung eines Deckenleistenanschlages) | 168 mm |
| Fußleiste (bei Verwendung eines Horizontal-Schraubstocks) | 133 mm |

- Wir behalten uns vor, Änderungen der technischen Daten im Zuge der Entwicklung und des technischen Fortschritts ohne vorherige Ankündigung vorzunehmen.
- Die technischen Daten können von Land zu Land unterschiedlich sein.
- Gewicht nach EPTA-Verfahren 01/2014


Symbole


Nachfolgend werden die für das Gerät verwendeten Symbole beschrieben. Machen Sie sich vor der Benutzung mit ihrer Bedeutung vertraut.

| | |
|--|--|
|  | Betriebsanleitung lesen. |
|  | DOPPELTE ISOLIERUNG |
|  | Um Verletzungen durch herausgeschleuderte Teile zu vermeiden, halten Sie den Sägekopf nach Ausführung von Schnitten abgesenkt, bis das Sägeblatt völlig zum Stillstand gekommen ist. |

 Ziehen Sie den Schlitten zur Ausführung von Schiebесchnitten zunächst ganz vor, drücken Sie den Griff nach unten, und schieben Sie dann den Schlitten zum Gehrungsanschlag.

 Halten Sie Hände oder Finger vom Sägeblatt fern.

 Blicken Sie auf keinen Fall in den Laserstrahl. Der direkte Laserstrahl kann Ihre Augen verletzen.

 Nur für EU-Länder
Werfen Sie Elektrogeräte nicht in den Hausmüll! Unter Einhaltung der Europäischen Richtlinie über Elektro- und Elektronik-Altgeräte und ihrer Umsetzung gemäß den Landesgesetzen müssen Elektrogeräte, die das Ende ihrer Lebensdauer erreicht haben, getrennt gesammelt und einer umweltgerechten Recycling-Einrichtung zugeführt werden.

Vorgesehene Verwendung

Das Werkzeug ist für genaue Gerad- und Gehrungsschnitte in Holz vorgesehen. Mit geeigneten Sägeblättern kann auch Aluminium gesägt werden.

Stromversorgung

Das Werkzeug sollte nur an eine Stromquelle angeschlossen werden, deren Spannung mit der Angabe auf dem Typenschild übereinstimmt, und kann nur mit Einphasen-Wechselstrom betrieben werden. Diese sind doppelt schutzisoliert und können daher auch an Steckdosen ohne Erdleiter verwendet werden.

Geräusch

Typischer A-bewerteter Geräuschpegel ermittelt gemäß EN62841:

Modell LS1019

Schalldruckpegel (L_{pA}): 91 dB (A)
Schallleistungspegel (L_{WA}): 101 dB (A)
Messunsicherheit (K): 3 dB (A)

Modell LS1019L

Schalldruckpegel (L_{pA}): 91 dB (A)
Schallleistungspegel (L_{WA}): 101 dB (A)
Messunsicherheit (K): 3 dB (A)

⚠️ WARNUNG: Einen Gehörschutz tragen.

Schwingungen

Schwingungsgesamtwert (Drei-Achsen-Vektorsumme) ermittelt gemäß EN62841:

Modell LS1019

Schwingungsemission (a_h): 2,5 m/s² oder weniger
Messunsicherheit (K): 1,5 m/s²

Modell LS1019L

Schwingungsemission (a_h): 2,5 m/s² oder weniger
Messunsicherheit (K): 1,5 m/s²

HINWEIS: Der angegebene Schwingungsemissionswert wurde im Einklang mit der Standardprüfmethode gemessen und kann für den Vergleich zwischen Werkzeugen herangezogen werden.

HINWEIS: Der angegebene Schwingungsemissionswert kann auch für eine Vorbewertung des Gefährdungsgrads verwendet werden.

⚠️ WARNUNG: Die Schwingungsemission während der tatsächlichen Benutzung des Elektrowerkzeugs kann je nach der Benutzungsweise des Werkzeugs vom angegebenen Emissionswert abweichen.

⚠️ WARNUNG: Identifizieren Sie Sicherheitsmaßnahmen zum Schutz des Benutzers anhand einer Schätzung des Gefährdungsgrads unter den tatsächlichen Benutzungsbedingungen (unter Berücksichtigung aller Phasen des Arbeitszyklus, wie z. B. Ausschalt- und Leerlaufzeiten des Werkzeugs zusätzlich zur Betriebszeit).

EG-Konformitätserklärung

Nur für europäische Länder

Die EG-Konformitätserklärung ist als Anhang A in dieser Bedienungsanleitung enthalten.

SICHERHEITSWARNUNGEN

Allgemeine Sicherheitswarnungen für Elektrowerkzeuge

⚠️ WARNUNG: Lesen Sie alle mit diesem Elektrowerkzeug gelieferten Sicherheitswarnungen, Anweisungen, Abbildungen und technischen Daten durch. Eine Missachtung der unten aufgeführten Anweisungen kann zu einem elektrischen Schlag, Brand und/oder schweren Verletzungen führen.

Bewahren Sie alle Warnungen und Anweisungen für spätere Bezugnahme auf.

Der Ausdruck „Elektrowerkzeug“ in den Warnhinweisen bezieht sich auf Ihr mit Netzstrom (mit Kabel) oder Akku (ohne Kabel) betriebenes Elektrowerkzeug.

Sicherheitsanweisungen für Gehrungssägen

- Gehrungssägen sind zum Schneiden von Holz oder holzähnlichen Produkten vorgesehen. Sie können nicht mit Trennschleifscheiben zum Schneiden von Eisenmaterial, wie z. B. Stäben, Stangen, Bolzen usw., verwendet werden.** Schleifstaub kann Klemmen von beweglichen Teilen, wie z. B. der unteren Schutzhaube, verursachen. Beim Trennschleifen entstehende Funken verbrennen die untere Schutzhaube, den Schnittfugeneinsatz und andere Kunststoffteile.
- Stützen Sie das Werkstück nach Möglichkeit immer mit Klemmen ab. Wenn Sie das Werkstück mit der Hand abstützen, müssen Sie Ihre Hand immer mindestens 100 mm von beiden Seiten des Sägeblatts entfernt halten. Verwenden Sie diese Säge nicht zum Schneiden von Werkstücken, die zu klein sind, um sicher eingespannt oder von Hand gehalten zu werden.** Wenn Sie Ihre Hand zu nah an das Sägeblatt halten, besteht erhöhte Verletzungsgefahr durch Kontakt mit dem Sägeblatt.
- Das Werkstück muss stationär sein und sowohl gegen den Gehrungsanschlag als auch den Tisch geklemmt oder gehalten werden. Schieben Sie das Werkstück nicht in das Sägeblatt, und schneiden Sie auch nicht „freihändig“ in irgendeiner Weise.** Nicht gesicherte oder bewegliche Werkstücke könnten mit hoher Geschwindigkeit herausgeschleudert werden und Verletzungen verursachen.

4. **Schieben Sie die Säge durch das Werkstück. Ziehen Sie die Säge nicht durch das Werkstück. Um einen Schnitt auszuführen, heben Sie den Sägekopf an, ziehen Sie ihn über das Werkstück heraus, ohne es zu schneiden, starten Sie den Motor, drücken Sie den Sägekopf nach unten, und schieben Sie die Säge durch das Werkstück.** Beim Schneiden in Zugrichtung ist die Wahrscheinlichkeit groß, dass das Sägeblatt am Werkstück hoch klettert und die Sägeleinheit heftig gegen den Bediener schleudert.
 5. **Halten Sie niemals Ihre Hand über die beobachtigte Schnittlinie, weder vor noch hinter dem Sägeblatt.** Abstützen des Werkstücks mit „überkreuzter Hand“, d. h. Halten des Werkstücks rechts vom Sägeblatt mit der linken Hand oder umgekehrt, ist sehr gefährlich.
- **Abb.1**
6. **Reichen Sie bei rotierendem Sägeblatt nicht hinter den Gehrungsanschlag, so dass sich eine Ihrer Hände näher als 100 mm links oder rechts des Sägeblatts befindet, um Holzabfälle zu entfernen, oder aus anderen Gründen.** Es mag nicht offensichtlich sein, wie nah sich Ihre Hand am Sägeblatt befindet, und Sie können sich ernsthaft verletzen.
 7. **Überprüfen Sie Ihr Werkstück vor dem Schneiden. Falls das Werkstück verbogen oder verzogen ist, spannen Sie es mit der äußeren gebogenen Seite zum Gehrungsanschlag gerichtet ein. Vergewissern Sie sich stets, dass keine Lücke zwischen Werkstück, Gehrungsanschlag und Tisch entlang der Schnittlinie vorhanden ist.** Verbogene oder verzogene Werkstücke neigen zum Drehen oder Verlagern und können beim Schneiden Klemmen am rotierenden Sägeblatt verursachen. Es dürfen keine Nägel oder Fremdkörper im Werkstück vorhanden sein.
 8. **Benutzen Sie die Säge nicht eher, bis sämtliche Werkzeuge, Holzabfälle usw. außer dem Werkstück vom Tisch weggeräumt sind.** Kleine Bruchstücke, lose Holzstücke oder andere Objekte, die das rotierende Sägeblatt berühren, können mit hoher Geschwindigkeit herausgeschleudert werden.
 9. **Schneiden Sie nur jeweils ein Werkstück.** Mehrere übereinander gestapelte Werkstücke lassen sich nicht angemessen einspannen oder abstützen und können am Sägeblatt klemmen oder sich während des Schneidens verlagern.
 10. **Vergewissern Sie sich vor Gebrauch, dass die Gehrungssäge auf einer ebenen, stabilen Arbeitsfläche montiert oder platziert ist.** Eine ebene und stabile Arbeitsfläche verringert die Gefahr, dass die Gehrungssäge instabil wird.
 11. **Planen Sie Ihre Arbeit. Stellen Sie bei jeder Änderung der Neigungs- oder Gehrungswinkeleinstellung sicher, dass der verstellbare Gehrungsanschlag korrekt eingestellt ist, um das Werkstück abzustützen, und dass er nicht mit dem Sägeblatt oder dem Schutzsystem in Berührung kommt.** Bewegen Sie das Sägeblatt durch einen vollständigen simulierten Schnitt, ohne das Werkzeug einzuschalten und ein Werkstück auf den Tisch zu legen, um zu gewährleisten, dass es nicht zu einer Berührung oder der Gefahr des Schneidens in den Gehrungsanschlag kommt.
 12. **Sorgen Sie für angemessene Abstützung eines Werkstücks, das breiter oder länger als die Tischplatte ist, z. B. durch Tischverlängerungen, Sägeböcke usw.** Werkstücke, die länger oder breiter als der Tisch der Gehrungssäge sind, können kippen, wenn sie nicht sicher abgestützt werden. Falls das abgeschnittene Stück oder Werkstück kippt, kann es die untere Schutzhaube anheben oder vom rotierenden Sägeblatt weggeschleudert werden.
 13. **Verwenden Sie keine zweite Person als Ersatz für eine Tischverlängerung oder zur zusätzlichen Abstützung.** Instabile Abstützung des Werkstücks kann dazu führen, dass das Sägeblatt klemmt oder das Werkstück sich während des Schneidvorgangs verlagert, so dass Sie und der Helfer in das rotierende Sägeblatt gezogen werden.
 14. **Das abgeschnittene Stücke darf nicht in irgendeiner Weise gegen das rotierende Sägeblatt geklemmt oder gedrückt werden.** Bei Einengung, z. B. durch Längenanschlüsse, könnte sich das abgeschnittene Stück gegen das Sägeblatt verkeilen und heftig herausgeschleudert werden.
 15. **Verwenden Sie stets eine Klemme oder eine Einspannvorrichtung, um Rundmaterial, wie z. B. Stangen oder Rohre, einwandfrei abzustützen.** Stangen neigen beim Schneiden zum Rollen, so dass das Sägeblatt „beißt“ und das Werkstück mit Ihrer Hand in das Sägeblatt zieht.
 16. **Warten Sie, bis das Sägeblatt die volle Drehzahl erreicht, bevor es das Werkstück kontaktiert.** Dadurch wird die Gefahr des Herausschleuderns des Werkstücks verringert.
 17. **Falls das Werkstück oder das Sägeblatt eingeklemmt wird, schalten Sie die Gehrungssäge aus. Warten Sie, bis alle beweglichen Teile zum Stillstand gekommen sind, und ziehen Sie dann den Stecker von der Stromquelle ab und/oder nehmen Sie den Akku ab. Befreien Sie dann das eingeklemmte Material.** Fortgesetztes Sägen mit einem eingeklemmten Werkstück könnte zum Verlust der Kontrolle oder zu einer Beschädigung der Gehrungssäge führen.
 18. **Nachdem Sie den Schnitt vollendet haben, lassen Sie den Schalter los, halten Sie den Sägekopf nach unten, und warten Sie, bis das Sägeblatt zum Stillstand kommt, bevor Sie das abgeschnittene Stück entfernen.** Es ist gefährlich, mit Ihrer Hand in die Nähe des auslaufenden Sägeblatts zu reichen.
 19. **Halten Sie den Handgriff sicher fest, wenn Sie einen unvollständigen Schnitt ausführen oder den Schalter loslassen, bevor sich der Sägekopf vollständig in der abgesenkten Position befindet.** Die Abbremsung der Säge kann bewirken, dass der Sägekopf plötzlich nach unten gezogen wird, so dass Verletzungsgefahr besteht.
 20. **Verwenden Sie nur Sägeblätter mit einem Durchmesser, der am Werkzeug markiert oder im Handbuch angegeben ist.** Die Verwendung eines Sägeblatts mit falscher Größe kann den einwandfreien Schutz des Sägeblatts oder den Schutzbetrieb beeinträchtigen, was ernsthaften Personenschaden zur Folge haben kann.
 21. **Verwenden Sie nur Sägeblätter, die mit einer Drehzahl markiert sind, die der am Werkzeug angegebenen Drehzahl entspricht oder diese übertrifft.**

22. Verwenden Sie die Säge nur zum Schneiden von Holz, Aluminium oder ähnlichen Materialien.
 23. (Nur für europäische Länder)
Verwenden Sie immer ein Sägeblatt, das EN847-1 entspricht.
- Zusätzliche Anweisungen**
1. Machen Sie die Werkstatt mit Vorhängeschlossern kindersicher.
 2. Stellen Sie sich niemals auf das Werkzeug. Durch Kippen des Werkzeugs oder versehentliche Berührung mit dem Schneidwerkzeug könnten ernsthafte Verletzungen auftreten.
 3. Lassen Sie das Werkzeug niemals unbeaufsichtigt laufen. Schalten Sie die Stromversorgung aus. Verlassen Sie das Werkzeug nicht eher, bis es zu einem vollständigen Stillstand gekommen ist.
 4. Betreiben Sie die Säge nicht ohne Schutzhauben. Überprüfen Sie die Sägeblattschutzhaube vor jeder Benutzung auf einwandfreies Schließen. Betreiben Sie die Säge nicht, wenn sich die Schutzhaube nicht ungehindert bewegt und sich nicht sofort schließt. Die Schutzhaube darf auf keinen Fall in der geöffneten Stellung festgeklemmt oder festgebunden werden.
 5. Halten Sie Ihre Hände von der Schnittlinie des Sägeblatts fern. Vermeiden Sie die Berührung eines auslaufenden Sägeblatts. Es kann auch in diesem Zustand noch schwere Verletzungen verursachen.
 6. Die Sägeblattschutzhaube darf auf keinen Fall in der geöffneten Stellung festgeklemmt oder festgebunden werden.
 7. Um die Verletzungsgefahr zu verringern, führen Sie den Schlitten nach jedem Ablängschnittvorgang auf seine hintere Anschlagstellung zurück.
 8. Sichern Sie stets alle beweglichen Teile, bevor Sie das Werkzeug tragen.
 9. Der Anschlagstift, der den Schneidkopf verriegelt, ist nur zum Tragen und zur Lagerung, nicht für irgendwelche Schneidarbeiten, vorgesehen.
 10. Überprüfen Sie das Sägeblatt vor dem Betrieb sorgfältig auf Risse oder Beschädigung. Wechseln Sie ein gerissenes oder beschädigtes Sägeblatt unverzüglich aus. An den Sägeblättern haftendes und verhärtetes Gummi und Harz verlangsamen die Säge und erhöhen die Rückschlaggefahr. Halten Sie das Sägeblatt sauber, indem Sie es vom Werkzeug abmontieren und dann mit Gummi- und Harzentferner, heißem Wasser oder Petroleum reinigen. Verwenden Sie niemals Benzin zum Reinigen des Sägeblatts.
 11. Bei der Durchführung eines Schiebesschnitts kann RÜCKSCHLAG auftreten. RÜCKSCHLAG tritt auf, wenn das Sägeblatt während eines Schneidvorgangs im Werkstück klemmt und plötzlich auf den Bediener zu getrieben wird. Es kann zum Verlust der Kontrolle und zu ernsthaften Personenschäden kommen. Falls das Sägeblatt während eines Schneidvorgangs zu klemmen beginnt, brechen Sie den Schnitt ab und lassen Sie den Schalter unverzüglich los.
 12. Verwenden Sie nur die für dieses Werkzeug vorgeschriebenen Flansche.
 13. Achten Sie sorgfältig darauf, dass die Spindel, die Flansche (insbesondere die Ansatzfläche) oder die Schraube nicht beschädigt werden. Eine Beschädigung dieser Teile kann zu einem Sägeblattbruch führen.
 14. Vergewissern Sie sich, dass der Drehteller einwandfrei gesichert ist, damit er sich während des Betriebs nicht bewegt. Verwenden Sie die Löcher in der Grundplatte, um die Säge an einer stabilen Arbeitsbühne oder Werkbank zu befestigen. Benutzen Sie das Werkzeug NIEMALS in Situationen, bei denen der Bediener gezwungen wäre, eine ungünstige Position einzunehmen.
 15. Vergewissern Sie sich vor dem Einschalten des Werkzeugs, dass die Spindelarreterierung freigegeben ist.
 16. Vergewissern Sie sich, dass das Sägeblatt in der tiefsten Position nicht mit dem Drehteller in Berührung kommt.
 17. Halten Sie den Handgriff sicher fest. Beachten Sie, dass sich die Säge beim Anlaufen und Abstellen geringfügig nach oben oder unten bewegt.
 18. Vergewissern Sie sich vor dem Einschalten des Werkzeugs, dass das Sägeblatt nicht das Werkstück berührt.
 19. Lassen Sie das Werkzeug vor dem eigentlichen Schneiden eines Werkstücks eine Weile laufen. Achten Sie auf Vibrationen oder Taumelbewegungen, die Anzeichen für schlechte Montage oder ein schlecht ausgewuchtetes Sägeblatt sein können.
 20. Brechen Sie sofort den Betrieb ab, wenn Sie irgend etwas Ungewöhnliches bemerken.
 21. Versuchen Sie nicht, den Auslöser in der EIN-Stellung zu verriegeln.
 22. Verwenden Sie stets das in dieser Anleitung empfohlene Zubehör. Der Gebrauch ungeeigneten Zubehörs, wie z. B. Schleifscheiben, kann Verletzungen zur Folge haben.
 23. Manche Materialien können giftige Chemikalien enthalten. Treffen Sie Vorsichtsmaßnahmen, um das Einatmen von Arbeitsstaub und Hautkontakt zu verhindern. Befolgen Sie die Sicherheitsdaten des Materialherstellers.
- Zusätzliche Sicherheitsregeln für den Laser**
1. **LASERSTRAHLUNG. NICHT IN DEN STRAHL BLICKEN ODER DIREKT MIT OPTISCHEN INSTRUMENTEN BETRACHTEN. LASERPRODUKT DER KLASSE 2M.**

DIESE ANWEISUNGEN AUFBEWAHREN.

⚠️ WARNUNG: Lassen Sie sich NICHT durch Bequemlichkeit oder Vertrautheit mit dem Produkt (durch wiederholten Gebrauch erworben) von der strikten Einhaltung der Sicherheitsregeln für das vorliegende Produkt abhalten. MISSBRAUCH oder Missachtung der Sicherheitsvorschriften in dieser Anleitung können schwere Personenschäden verursachen.

BEZEICHNUNG DER TEILE

► Abb.2

| | | | | | | | |
|----|---|----|---|----|-------------------------------------|----|---|
| 1 | Gleitstange | 2 | Anschlagstift (für Schlittenverschiebung) | 3 | Vertikal-Schraubstock | 4 | Entriegelungsknopf (für rechten Neigungswinkel) |
| 5 | Auflagebügel | 6 | Drehteller | 7 | Zeiger (für Gehrungswinkel) | 8 | Gehrungswinkelskala |
| 9 | Schlitzplatte | 10 | Sägeblattgehäuse | 11 | Einstellschraube (für Laserlinie) | 12 | Bereichseinstellschraube (für Laserlinie) |
| 13 | Sägeblattschutzhaube | 14 | Knopf (für Neigungswinkel) | 15 | Inbusschlüssel | 16 | Einstellschraube (für Minimalgrenzposition) |
| 17 | Einstellschraube (für maximale Schnittleistung) | 18 | Anschlagarm | 19 | Verriegelungshebel (für Drehteller) | 20 | Freigabehebel (für Drehteller) |
| 21 | Griff (für Drehteller) | - | - | - | - | - | - |

► Abb.3

| | | | | | | | |
|----|--------------------------------|----|--|----|---|----|--|
| 1 | Auslöseschalter | 2 | Einschaltsperrknopf | 3 | Loch für Vorhängeschloss | 4 | Schalter (für Laserlinie) |
| 5 | Schlauch (für Staubabsaugung) | 6 | Anschlagstift (für Schlittenanhebung) | 7 | Gehrungsanschlag (unterer Anschlag) | 8 | Gehrungsanschlag (oberer Anschlag) |
| 9 | Staubsack | 10 | 0° Einstellschraube (für Neigungswinkel) | 11 | Neigungswinkelskala | 12 | Freigabehebel (für 48° Neigungswinkel) |
| 13 | Rasthebel (für Neigungswinkel) | 14 | Zeiger (für Neigungswinkel) | 15 | 45° Einstellschraube (für Neigungswinkel) | - | - |

INSTALLATION

Montieren des Griffs

Schrauben Sie den Gewindeschaf des Griffs in den Drehteller.

► **Abb.4:** 1. Griff 2. Drehteller

Montieren des Staubabsaugschlauchs

Schließen Sie den Staubabsaugschlauch an das Werkzeug an, wie in der Abbildung dargestellt. Vergewissern Sie sich, dass das Kniestück und die Muffe einwandfrei in den Anschlüssen des Werkzeugs sitzen.

► **Abb.5:** 1. Staubabsaugschlauch 2. Kniestück
3. Muffe 4. Anschluss

Werkbankmontage

Der Handgriff wurde werkseitig vor dem Versand mit dem Anschlagstift in der Tiefstellung verriegelt. Während Sie den Handgriff geringfügig absenken, ziehen Sie den Anschlagstift, und drehen Sie ihn um 90°.

► **Abb.6:** 1. Verriegelte Position 2. Entriegelte Position 3. Anschlagstift

Dieses Werkzeug sollte unter Verwendung der Schraubenbohrungen im Werkzeugsockel mit vier Schrauben auf einer ebenen und stabilen Oberfläche befestigt werden. Dadurch werden Umkippen und mögliche Verletzungen vermieden.

► **Abb.7:** 1. Schraube

⚠️ WARNUNG: Stellen Sie sicher, dass sich das Werkzeug auf der Stützfläche nicht verschiebt. Eine Verschiebung der Gehrungssäge auf der Stützfläche während des Schneidbetriebs kann zu einem Verlust der Kontrolle und schweren Verletzungen führen.

FUNKTIONSBESCHREIBUNG

⚠️ WARNUNG: Vergewissern Sie sich vor jeder Einstellung oder Funktionsprüfung des Werkzeugs stets, dass es ausgeschaltet und vom Stromnetz getrennt ist. Wird das Werkzeug nicht ausgeschaltet und vom Stromnetz getrennt, kann es zu schweren Verletzungen durch versehentliches Anlaufen kommen.

Sägeblattschutzhaube

► **Abb.8:** 1. Sägeblattschutzhaube

Beim Absenken des Handgriffs hebt sich die Sägeblattschutzhaube automatisch. Die Schutzhaube ist gefedert, so dass sie in ihre Ausgangsstellung zurückkehrt, wenn der Schnitt vollendet ist und der Handgriff angehoben wird.

⚠️ WARNUNG: Die Sägeblattschutzhaube oder die daran angebrachte Feder darf auf keinen Fall funktionsunfähig gemacht oder entfernt werden. Ein wegen fehlender Schutzhaube freiliegendes Sägeblatt kann schwere Verletzungen während des Betriebs verursachen.

Im Interesse Ihrer eigenen Sicherheit sollten Sie die Sägeblattschutzhaube stets in gutem Zustand halten. Funktionsstörungen der Sägeblattschutzhaube müssen sofort behoben werden. Überprüfen Sie die gefederte Rückkehrbewegung der Schutzhaube.

⚠️ WARNUNG: Benutzen Sie das Werkzeug niemals mit beschädigter, defekter oder fehlender Sägeblattschutzhaube oder Feder. Der Betrieb des Werkzeugs mit beschädigter, defekter oder entfernter Schutzhaube kann zu schweren Personenschäden führen.

Wenn die transparente Sägeblattschutzhaube schmutzig wird oder soviel Sägemehl an ihr haftet, dass das Sägeblatt und/oder Werkstück nicht mehr ohne weiteres sichtbar ist, sollten Sie die Säge vom Stromnetz trennen und die Schutzhaube mit einem feuchten Tuch sorgfältig reinigen. Verwenden Sie keine Lösungsmittel oder Reinigungsmittel auf Petroleumbasis zum Reinigen der Kunststoff-Schutzhaube, weil sie dadurch beschädigt werden kann.

Wenn bei besonders starker Verschmutzung der Sägeblattschutzhaube die Sicht durch die Schutzhaube behindert ist, trennen Sie das Werkzeug vom Stromnetz, und lösen Sie die Innensechskantschraube, mit der die Mittenabdeckung befestigt ist, mit dem mitgelieferten Schraubenschlüssel. Lösen Sie die Innensechskantschraube durch Drehen entgegen dem Uhrzeigersinn, und heben Sie die Sägeblattschutzhaube und die Mittenabdeckung an. In dieser Stellung der Sägeblattschutzhaube kann die Reinigung gründlicher und effizienter durchgeführt werden. Wenden Sie nach der Reinigung das obige Verfahren umgekehrt an, und ziehen Sie die Schraube an. Entfernen Sie nicht die Feder, welche die Sägeblattschutzhaube hält. Falls sich die Schutzhaube durch Alterung oder UV-Strahlung verfärbt, bestellen Sie eine neue Schutzhaube bei einer Makita-Kundendienststelle. **DIE SCHUTZHAUBE DARF NICHT FUNKTIONSunFÄHIG GEMACHT ODER ENTFERNT WERDEN.**

► **Abb.9:** 1. Mittenabdeckung 2. Inbusschlüssel
3. Sägeblattschutzhaube

Schlitzplatten

Dieses Werkzeug ist mit Schlitzplatten im Drehteller versehen, um Reißen am Austrittsende eines Schnitts auf ein Minimum zu reduzieren. Die Schlitzplatten sind werksseitig so eingestellt, dass das Sägeblatt nicht mit ihnen in Berührung kommt. Stellen Sie die Schlitzplatten vor dem Gebrauch wie folgt ein:

► **Abb.10:** 1. Schlitzplatte

► **Abb.11:** 1. Linksseitiger Neigungsschnitt
2. Geradschnitt 3. Rechtsseitiger Neigungsschnitt 4. Sägeblatt
5. Sägeblatzzähne 6. Schlitzplatte

Ziehen Sie zuerst den Netzstecker ab. Lösen Sie alle Schrauben (je 2 auf der linken und rechten Seite), mit denen die Schlitzplatten gesichert sind, bis sich die Schlitzplatten leicht von Hand bewegen lassen. Senken Sie den Handgriff vollständig ab, und ziehen und drehen Sie dann den Anschlagstift, um den Handgriff in der Tiefstellung zu verriegeln. Lassen Sie den Anschlagstift an der Gleitstange los, und ziehen Sie den Schlitten vollständig auf sich zu. Stellen Sie die Schlitzplatten so ein, dass sie die Seiten der Sägeblatzzähne nur leicht berühren. Ziehen Sie die vorderen Schrauben an (nicht festziehen). Schieben Sie den Schlitten ganz zum Gehrungsanschlag, und stellen Sie die Schlitzplatten so ein, dass sie die Seiten der Sägeblatzzähne nur leicht berühren. Ziehen Sie die hinteren Schrauben an (nicht festziehen).

Lassen Sie den Anschlagstift nach der Einstellung der Schlitzplatten los, und heben Sie den Handgriff an. Ziehen Sie dann alle Schrauben fest.

ANMERKUNG: Nachdem Sie den Neigungswinkel eingestellt haben, vergewissern Sie sich, dass die Schlitzplatten korrekt eingestellt sind. Die korrekte Einstellung der Schlitzplatten trägt zu einwandfreier Abstützung des Werkstücks bei, um Ausreißen des Werkstücks zu minimieren.

Aufrechterhaltung der maximalen Schnittleistung

Dieses Werkzeug wurde werksseitig so eingestellt, dass die maximale Schnittleistung mit einem Sägeblatt von 255 mm oder 260 mm erreicht wird.

Wenn Sie ein neues Sägeblatt montieren, überprüfen Sie immer die untere Grenzposition des Sägeblatts, und nehmen Sie nötigenfalls eine Einstellung vor, wie folgt:

Ziehen Sie zuerst den Netzstecker ab. Stellen Sie den Anschlaghebel auf die eingerastete Position.

► **Abb.12:** 1. Anschlaghebel

Schieben Sie den Schlitten vollständig bis zum Gehrungsanschlag, und senken Sie den Handgriff vollkommen ab.

Stellen Sie die Sägeblattposition ein, indem Sie die Einstellschraube mit dem Inbusschlüssel drehen. Der Umfang des Sägeblatts sollte sich bis dicht unter der Oberseite des Drehtellers erstrecken und auch den Punkt erreichen, wo die Vorderseite des Gehrungsanschlags auf die Oberseite des Drehtellers trifft.

► **Abb.13:** 1. Einstellschraube

► **Abb.14:** 1. Drehteller-Oberfläche
2. Sägeblattnumfang 3. Gehrungsanschlag

Drehen Sie das Sägeblatt bei vom Stromnetz getrenntem Werkzeug von Hand, während Sie den Handgriff ganz nach unten gedrückt halten, um sicherzugehen, dass das Sägeblatt keinen Teil des Drehtellers berührt. Nötigenfalls ist eine Nachjustierung vorzunehmen. Bringen Sie den Anschlaghebel nach der Einstellung stets wieder in seine Ausgangsposition.

⚠️ WARNUNG: Vergewissern Sie sich nach der Montage eines neuen Sägeblatts bei vom Stromnetz getrennten Werkzeug stets, dass das Sägeblatt in der Tiefstellung des Handgriffs keinen Teil des Drehtellers berührt. Falls das Sägeblatt mit dem Drehteller in Berührung kommt, kann es Rückschlag verursachen, was zu schweren Verletzungen führen kann.

Anschlagarm

Die untere Grenzposition des Sägeblatts kann mit dem Anschlagarm leicht eingestellt werden. Schwenken Sie den Anschlagarm zum Einstellen in Pfeilrichtung, wie in der Abbildung gezeigt. Drehen Sie die Einstellschraube so, dass das Sägeblatt an der gewünschten Position anhält, wenn der Handgriff ganz abgesenkt wird.

► **Abb.15:** 1. Anschlagarm 2. Einstellschraube

Einstellen des Gehrungswinkels

⚠️ VORSICHT: Sichern Sie den Drehteller nach jeder Änderung des Gehrungswinkels stets durch Anziehen des Griffs gegen Verdrehen.

ANMERKUNG: Heben Sie den Handgriff vollständig an, bevor Sie den Drehteller drehen.

► **Abb.16:** 1. Verriegelungshebel 2. Griff
3. Freigabehebel 4. Zeiger

Drehen Sie den Griff entgegen dem Uhrzeigersinn, um den Drehteller zu entriegeln. Drehen Sie den Griff, während Sie den Verriegelungshebel niederhalten, um den Drehteller zu bewegen. Richten Sie den Zeiger auf den gewünschten Winkel auf der Skala aus, und ziehen Sie dann den Griff fest.

HINWEIS: Wenn Sie den Freigabehebel niederdrücken, können Sie den Drehteller bewegen, ohne den Verriegelungshebel niederzuhalten. Ziehen Sie den Griff an der gewünschten Position fest.

Diese Gehrungssäge verwendet die Festanschlagfunktion. Damit können Sie den rechten/ linken Gehrungswinkel schnell auf 0°, 15°, 22,5°, 31,6°, 45° und 60° einstellen. Um diese Funktion zu benutzen, bewegen Sie den Drehteller in die Nähe des gewünschten Festanschlagwinkels, während Sie den Verriegelungshebel niederhalten. Lassen Sie dann den Verriegelungshebel los, und bewegen Sie den Drehteller vorwärts, bis er einrastet.

Einstellen des Neigungswinkels

ANMERKUNG: Entfernen Sie stets die oberen Gehrungsanschlüge und den Vertikal-Schraubstock, bevor Sie den Neigungswinkel einstellen.

ANMERKUNG: Wenn die Neigungswinkel geändert werden, müssen die Schlitzplatten gemäß der Beschreibung im Abschnitt „Schlitzplatten“ entsprechend eingestellt werden.

ANMERKUNG: Bringen Sie den Handgriff ganz nach oben, bevor Sie das Sägeblatt neigen.

1. Drehen Sie den Knopf an der Gleitstange entgegen dem Uhrzeigersinn.

► **Abb.17:** 1. Knopf

2. Ziehen und drehen Sie den Rasthebel auf die in der Abbildung gezeigte Position.

► **Abb.18:** 1. Rasthebel

3. Richten Sie den Zeiger durch Verschieben des Schlittens auf den gewünschten Winkel auf der Skala aus, und ziehen Sie dann den Knopf fest.

► **Abb.19:** 1. Neigungswinkelskala 2. Zeiger

Um den Schlitten nach rechts zu neigen, neigen Sie ihn erst geringfügig nach links und dann nach rechts, während Sie den Entriegelungsknopf niederdrücken.

► **Abb.20:** 1. Entriegelungsknopf

Wenn Sie einen Neigungsschnitt von mehr als 45° ausführen wollen, bewegen Sie den Schlitten, während Sie den Freigabehebel in Richtung der Vorderseite des Werkzeugs schieben. Sie können Neigungsschnitte bis zu 48° ausführen.

► **Abb.21:** 1. Freigabehebel

Diese Gehrungssäge verwendet die Festanschlagfunktion. Damit können Sie einen Winkel von 22,5° und 33,9° schnell auf der rechten und linken Seite einstellen. Stellen Sie den Rasthebel auf die in der Abbildung gezeigte Position, und neigen Sie den Schlitten. Um den Winkel zu ändern, ziehen Sie den Rasthebel, und neigen Sie den Schlitten.

► **Abb.22:** 1. Rasthebel

⚠️ VORSICHT: Ziehen Sie nach jeder Änderung des Neigungswinkels stets den Knopf fest.

Gleit Sperre

Um die Gleitbewegung des Schlittens zu sperren, schieben Sie den Schlitten bis zum Anschlag auf den Gehrungsanschlag zu. Ziehen Sie den Anschlagstift, und drehen Sie ihn um 90°.

► **Abb.23:** 1. Entriegelte Position 2. Verriegelte Position 3. Anschlagstift

Schalterfunktion

⚠️ WARNUNG: Vergewissern Sie sich vor dem Anschließen des Werkzeugs an das Stromnetz stets, dass der Auslöseschalter ordnungsgemäß funktioniert und beim Loslassen in die AUS-Stellung zurückkehrt. Betätigen Sie den Auslöseschalter nicht gewaltsam, ohne den Einschaltsperrknopf hineinzudrücken. Dies kann zu Beschädigung des Schalters führen. Der Betrieb des Werkzeugs mit fehlerhaftem Schalter kann zum Verlust der Kontrolle und zu schweren Verletzungen führen.

⚠️ WARNUNG: Benutzen Sie das Werkzeug NIEMALS, wenn der Ein-Aus-Schalter nicht voll funktionsfähig ist. Ein Werkzeug mit funktionsunfähigem Schalter ist ÄUSSERST GEFÄHRLICH und muss vor weiterem Gebrauch repariert werden. Andernfalls kann es zu schweren Verletzungen kommen.

⚠️ WARNUNG: Versuchen Sie NIEMALS, den Einschaltsperrknopf mit Klebeband oder anderen Mitteln unwirksam zu machen. Ein Schalter mit unwirksamem Einschaltsperrknopf kann zu ungewolltem Betrieb und daraus resultierenden schweren Personenschäden führen.

⚠️ WARNUNG: Betreiben Sie das Werkzeug NIEMALS, wenn es durch einfache Betätigung des Ein-Aus-Schalters eingeschaltet werden kann, ohne den Einschaltsperrknopf zu drücken. Ein reparaturbedürftiger Schalter kann zu ungewolltem Betrieb und daraus resultierenden schweren Personenschäden führen. Lassen Sie das Werkzeug von einer Makita-Kundendienststelle ordnungsgemäß reparieren, BEVOR Sie es weiter benutzen.

- **Abb.24:** 1. Auslöseschalter 2. Einschaltsperrknopf
3. Loch für Vorhängeschloss

Um versehentliche Betätigung des Auslöseschalters zu verhüten, ist das Werkzeug mit einem Einschaltsperrknopf ausgestattet. Betätigen Sie zum Starten des Werkzeugs den Auslöseschalter bei gedrücktem Einschaltsperrknopf. Lassen Sie zum Ausschalten den Auslöseschalter los. Der Auslöseschalter ist mit einem Loch für ein Vorhängeschloss versehen, um das Werkzeug zu verriegeln.

⚠️ WARNUNG: Verwenden Sie kein Schloss, dessen Schaft oder Kabel einen kleineren Durchmesser als 6,35 mm (1/4") hat. Ein kleinerer Schaft oder ein kleineres Kabel verriegelt das Werkzeug möglicherweise nicht richtig in der Aus-Stellung, so dass es zu ungewolltem Betrieb mit daraus resultierenden schweren Verletzungen kommen kann.

Elektronikfunktion

Konstantdrehzahlregelung

Das Werkzeug verfügt über einen elektronischen Drehzahlregler, der selbst unter Belastung zur Aufrechterhaltung einer konstanten Sägeblatt Drehzahl beiträgt. Eine konstante Sägeblatt Drehzahl resultiert in einem sehr glatten Schnitt.

Soft-Start-Funktion

Diese Funktion ermöglicht weiches Anlaufen des Werkzeugs durch Begrenzung des Anlaufdrehmoments.

Laserstrahlbenutzung

Nur für Modell LS1019L

⚠️ VORSICHT: Blicken Sie auf keinen Fall in den Laserstrahl. Der direkte Laserstrahl kann Ihre Augen verletzen.

Um den Laserstrahl einzuschalten, drücken Sie den oberen Teil (I) des Schalters. Um den Laserstrahl auszuschalten, drücken Sie den unteren Teil (O) des Schalters.

- **Abb.25:** 1. Laserschalter

Sie können die Laserlinie entweder zur rechten oder linken Seite des Sägeblatts verschieben, indem Sie die Einstellschraube wie folgt drehen.

- **Abb.26:** 1. Einstellschraube

1. Lösen Sie die Einstellschraube durch Linksdrehen.
2. Schieben Sie die gelöste Einstellschraube bis zum Anschlag nach rechts oder links.
3. Ziehen Sie die Einstellschraube an der Anschlagposition fest an.

HINWEIS: Die Laserlinie ist werksseitig so eingestellt, dass sie innerhalb 1 mm von der Seitenfläche des Sägeblatts (Schnittposition) liegt.

HINWEIS: Wenn die Laserlinie wegen direkten Sonnenlichts schwach erscheint und schlecht sichtbar ist, verlagern Sie den Arbeitsplatz zu einem Ort, der keinem direkten Sonnenlicht ausgesetzt ist.

Ausrichten der Laserlinie

Richten Sie die Schnittlinie am Werkstück auf die Laserlinie aus.

- **Abb.27**

- A) Um die korrekte Größe auf der linken Seite des Werkstücks zu erhalten, verlagern Sie die Laserlinie links vom Sägeblatt.
B) Um die korrekte Größe auf der rechten Seite des Werkstücks zu erhalten, verlagern Sie die Laserlinie rechts vom Sägeblatt.

HINWEIS: Legen Sie ein Zwischenbrett an den Gehrungsanschlag an, wenn Sie die Schnittlinie bei Compound Schnitten auf die Laserlinie auf der Seite des Gehrungsanschlages ausrichten (Neigungswinkel von 45° und rechter Gehrungswinkel von 45°).

MONTAGE

⚠️ WARNUNG: Vergewissern Sie sich vor der Ausführung von Arbeiten am Werkzeug stets, dass es ausgeschaltet und vom Stromnetz getrennt ist. Das Versäumnis, das Werkzeug auszuschnalten und vom Stromnetz zu trennen, kann zu schweren Verletzungen führen.

Aufbewahrung des Inbusschlüssels

Der Inbusschlüssel kann an der in der Abbildung gezeigten Stelle aufbewahrt werden, damit er nicht verloren geht.

► **Abb.28:** 1. Inbusschlüssel

Demontieren und Montieren des Sägeblatts

⚠️ WARNUNG: Vergewissern Sie sich vor der Montage oder Demontage des Sägeblatts stets, dass das Werkzeug ausgeschaltet und vom Stromnetz getrennt ist. Versehentliches Anlaufen des Werkzeugs kann zu schweren Personenschäden führen.

⚠️ WARNUNG: Verwenden Sie nur den mitgelieferten Makita-Schraubenschlüssel zum Montieren und Demontieren des Sägeblatts. Wird der Schraubenschlüssel nicht benutzt, kann es zu übermäßigem oder unzureichendem Anziehen der Innensechskantschraube mit daraus resultierenden schweren Verletzungen kommen.

Verriegeln Sie den Schlitten immer in der angehobenen Position, wenn Sie das Sägeblatt demontieren und montieren. Ziehen Sie den Anschlagstift bei angehobenem Schlitten, und drehen Sie ihn um 90°.

► **Abb.29:** 1. Entriegelte Position 2. Verriegelte Position 3. Anschlagstift

Demontieren des Sägeblatts

Lösen Sie die Innensechskantschraube, die die Mittenabdeckung hält, mit dem Inbusschlüssel. Heben Sie die Sägeblattschutzhaube und die Mittenabdeckung an.

► **Abb.30:** 1. Mittenabdeckung 2. Inbusschlüssel 3. Sägeblattschutzhaube

Blockieren Sie die Spindel durch Drücken der Spindelarreterierung, und lösen Sie die Innensechskantschraube mit dem Inbusschlüssel. Entfernen Sie dann Innensechskantschraube, Außenflansch und Sägeblatt.

► **Abb.31:** 1. Spindelarreterierung 2. Inbusschlüssel 3. Innensechskantschraube (Linksgewinde) 4. Lösen 5. Anziehen

Montieren des Sägeblatts

Montieren Sie das Sägeblatt sorgfältig an der Spindel, wobei Sie darauf achten, dass der Pfeil auf dem Sägeblatt in dieselbe Richtung zeigt wie der Pfeil auf dem Sägeblattgehäuse.

► **Abb.32:** 1. Pfeil auf dem Sägeblattgehäuse 2. Pfeil auf dem Sägeblatt

Montieren Sie den Außenflansch und die Innensechskantschraube. Ziehen Sie die Innensechskantschraube mit dem Inbusschlüssel entgegen dem Uhrzeigersinn fest, während Sie die Spindelarreterierung drücken.

► **Abb.33:** 1. Innensechskantschraube 2. Außenflansch 3. Sägeblatt 4. Innenflansch 5. Spindel 6. Ring

ANMERKUNG: Falls der Innenflansch entfernt wurde, bringen Sie ihn so an der Spindel an, dass sein Vorsprung vom Sägeblatt weg gerichtet ist. Wird der Flansch falsch montiert, schleift er an der Maschine.

Bringen Sie die Sägeblattschutzhaube und die Mittenabdeckung wieder in ihre Ausgangsstellung. Ziehen Sie dann die Innensechskantschraube zur Sicherung der Mittenabdeckung im Uhrzeigersinn an. Entriegeln Sie den Anschlagstift, um den Schlitten aus der angehobenen Position zu lösen. Senken Sie den Handgriff ab, um zu prüfen, ob sich die Sägeblattschutzhaube einwandfrei bewegt. Vergewissern Sie sich vor der Benutzung des Werkzeugs, dass die Spindelarreterierung gelöst ist.

⚠️ WARNUNG: Bevor Sie das Sägeblatt auf die Spindel montieren, sollten Sie sich stets vergewissern, dass der korrekte Ring für die Spindelbohrung des zu benutzenden Sägeblatts zwischen Innen- und Außenflansch installiert ist. Die Verwendung eines falschen Spindelbohrungsringes kann zu unzulässiger Montage des Sägeblatts führen, so dass es zu Sägeblattbewegung und starker Vibration kommt, die möglichen Verlust der Kontrolle während des Betriebs und schwere Personenschäden zur Folge haben kann.

Anschließen eines Sauggeräts

Wenn Sie saubere Schneidarbeiten durchführen wollen, schließen Sie ein Makita-Sauggerät mit einer Frontmanschette 24 (Sonderzubehör) an den Absaugstutzen an.

► **Abb.34:** 1. Frontmanschette 24 2. Schlauch 3. Sauggerät

Staubsack

Der Staubsack ermöglicht sauberes Arbeiten und einfaches Staubsammeln. Um den Staubsack anzubringen, entfernen Sie den Staubabsaugschlauch vom Werkzeug, und schließen Sie den Staubsack an.

► **Abb.35:** 1. Staubabsaugschlauch 2. Staubsack

Wenn der Staubsack etwa halb voll ist, nehmen Sie ihn vom Werkzeug ab und ziehen den Verschluss heraus. Entleeren Sie den Staubsack, indem Sie ihn leicht abklopfen, um die an den Innenflächen haftenden Staubpartikel, die den Durchlass behindern können, zu lösen.

► **Abb.36:** 1. Verschluss

Sicherung von Werkstücken

⚠️ WARNUNG: Es ist äußerst wichtig, das Werkstück stets mit dem geeigneten Schraubstocktyp oder mit Deckenleistenanschlügen korrekt zu sichern. Anderenfalls kann es zu schweren Personenschäden und Beschädigung des Werkzeugs und/oder Werkstücks kommen.

⚠️ WARNUNG: Heben Sie das Sägeblatt nach erfolgtem Schnitt erst an, nachdem es zum völligen Stillstand gekommen ist. Das Anheben eines noch rotierenden Sägeblatts kann zu schweren Personenschäden und Beschädigung des Werkstücks führen.

⚠️ WARNUNG: Wenn Sie ein Werkstück schneiden, das länger als der Auflagetisch der Säge ist, sollte das Material auf der gesamten Länge außerhalb des Auflagetisches und auf derselben Höhe abgestützt werden, um es waagrecht zu halten. Korrekte Werkstückabstützung trägt zur Vermeidung von Sägeblattklemmen und möglichem Rückschlag bei, was zu schweren Verletzungen führen kann. Verlassen Sie sich nicht nur auf die Vertikal- und/oder Horizontal-Schraubstock zur Sicherung des Werkstücks. Dünnes Material neigt zum Durchhängen. Stützen Sie das Werkstück auf seiner gesamten Länge ab, um Klemmen des Sägeblatts und möglichen RÜCKSCHLAG zu vermeiden.

► **Abb.37:** 1. Stütze 2. Drehteller

Gehrungsanschlüge

⚠️ WARNUNG: Vergewissern Sie sich vor der Benutzung des Werkzeugs, dass der obere Anschlag einwandfrei gesichert ist.

⚠️ WARNUNG: Vergewissern Sie sich vor der Ausführung von Neigungsschnitten, dass kein Teil des Werkzeugs, besonders das Sägeblatt, mit dem oberen und unteren Anschlag in Berührung kommt, wenn der Handgriff aus jeder beliebigen Position vollständig abgesenkt und angehoben und der Schlitten bis zum Anschlag gezogen oder geschoben wird. Falls das Werkzeug oder Sägeblatt mit dem Anschlag in Berührung kommt, kann es zu Rückschlag oder unerwarteter Verschiebung des Materials mit daraus resultierenden schweren Personenschäden kommen.

Verwenden Sie die oberen Anschläge, um das Material höher als die unteren Anschläge abzustützen. Führen Sie den oberen Anschlag in die Bohrung des unteren Anschlags ein, und ziehen Sie die Klemmschraube fest.

► **Abb.38:** 1. Oberer Anschlag 2. Unterer Anschlag 3. Klemmschraube 4. Einstellschraube

ANMERKUNG: Die unteren Anschläge wurden werkseitig an der Grundplatte befestigt. Entfernen Sie die unteren Anschläge nicht.

ANMERKUNG: Falls der obere Anschlag nach dem Festziehen der Klemmschraube noch immer locker ist, drehen Sie die Einstellschraube, um eine Lücke zu schließen. Die Einstellschraube wurde werkseitig eingestellt. Sie bedarf keiner Verstellung, wenn dies nicht unbedingt notwendig ist.

Sie können die oberen Anschläge am Auflagebügel aufbewahren, wenn sie nicht gebraucht werden. Verwenden Sie die Klammer am oberen Anschlag, um ihn am Auflagebügel zu sichern.

► **Abb.39:** 1. Auflagebügel 2. Oberer Anschlag 3. Klammer

Vertikal-Schraubstock

⚠️ WARNUNG: Das Werkstück muss bei allen Operationen mit dem Schraubstock fest gegen Drehteller und Gehrungsanschlag gesichert werden. Wird das Werkstück nicht einwandfrei am Anschlag gesichert, kann sich das Material während des Schneidbetriebs verschieben und eine mögliche Beschädigung des Sägeblatts verursachen, was zu Herausschleudern des Materials und Verlust der Kontrolle mit daraus resultierenden schweren Personenschäden führen kann.

► **Abb.40:** 1. Schraubstockarm 2. Schraubstockstange 3. Klemmschraube 4. Schraubstockknopf

Der Vertikal-Schraubstock kann entweder auf der linken oder rechten Seite der Grundplatte montiert werden. Führen Sie die Schraubstockstange in das Loch der Grundplatte ein. Stellen Sie den Schraubstockarm auf die Abmessungen des Werkstücks ein, und sichern Sie ihn durch Anziehen der Schraube. Falls die Klemmschraube mit dem Schlitten in Berührung kommt, installieren Sie sie auf der entgegengesetzten Seite des Schraubstockarms. Vergewissern Sie sich, dass keine Werkzeuteile mit dem Schraubstock in Berührung kommen, wenn der Handgriff bis zum Anschlag abgesenkt wird. Falls irgendwelche Teile mit dem Schraubstock in Berührung kommen, ist der Schraubstock zu versetzen. Drücken Sie das Werkstück flach gegen Gehrungsanschlag und Drehteller. Bringen Sie das Werkstück in die gewünschte Schnittposition, und sichern Sie es einwandfrei durch Anziehen des Schraubstockknopfes.

HINWEIS: Um schnelles Einlegen des Werkstücks zu ermöglichen, kann der Schraubstockknopf durch Drehen um 90° entgegen dem Uhrzeigersinn auf und ab bewegt werden. Um das Werkstück nach dem Einlegen zu sichern, drehen Sie den Schraubstockknopf im Uhrzeigersinn.

Horizontal-Schraubstock

Sonderzubehör

⚠️ WARNUNG: Drehen Sie die Schraubstockmutter stets im Uhrzeigersinn, bis das Werkstück einwandfrei gesichert ist. Wird das Werkstück nicht einwandfrei gesichert, kann sich das Material während des Schneidbetriebs verschieben und eine mögliche Beschädigung des Sägeblatts verursachen, was zu Herausschleudern des Materials und Verlust der Kontrolle mit daraus resultierenden schweren Verletzungen führen kann.

⚠️ WARNUNG: Um dünne Werkstücke, wie z. B. Fußleisten, gegen den Anschlag abzuschneiden, verwenden Sie stets den Horizontal-Schraubstock.

Der Horizontal-Schraubstock kann entweder auf der linken oder rechten Seite der Grundplatte montiert werden. Wenn Gehrungsschnitte in einem Winkel von 22,5° oder mehr ausgeführt werden, ist der Horizontal-Schraubstock auf der entgegengesetzten Seite der Drehteller-Drehrichtung zu montieren.

- **Abb.41:**
1. Schraubstockbacke
 2. Schraubstockmutter
 3. Schraubstockknopf

Durch Umlegen der Schraubstockmutter entgegen dem Uhrzeigersinn wird der Schraubstock gelöst, so dass er sich schnell hin und her schieben lässt. Zum Einspannen des Werkstücks schieben Sie den Schraubstockknopf nach vorn, bis die Schraubstockbacke das Werkstück berührt, und legen Sie dann die Schraubstockmutter im Uhrzeigersinn um. Drehen Sie dann den Schraubstockknopf im Uhrzeigersinn, um das Werkstück zu sichern.

HINWEIS: Werkstücke von maximal 228 mm Breite können mit dem Horizontal-Schraubstock eingespannt werden.

Auflagebügel

⚠️ WARNUNG: Stützen Sie ein langes Werkstück stets so ab, dass es waagrecht zur Oberseite des Drehtellers liegt, um akkurate Schnitte auszuführen und gefährlichen Verlust der Kontrolle über das Werkzeug zu verhüten. Korrekte Werkstückabstützung trägt zur Vermeidung von Sägeblattklemmen und möglichem Rückschlag bei, was zu schweren Verletzungen führen kann.

Um lange Werkstücke horizontal zu halten, sind Auflagebügel auf beiden Seiten des Werkzeugs vorhanden. Lösen Sie die Schrauben, und ziehen Sie die Auflagebügel auf die entsprechende Länge zum Abstützen des Werkstücks aus. Ziehen Sie dann die Schrauben an.

- **Abb.42:** 1. Auflagebügel 2. Schraube

BETRIEB

⚠️ WARNUNG: Vergewissern Sie sich vor dem Einschalten des Werkzeugs, dass das Sägeblatt nicht das Werkstück usw. berührt. Wird das Werkzeug eingeschaltet, während das Sägeblatt mit dem Werkstück in Berührung ist, kann es zu Rückschlag mit daraus resultierenden schweren Personenschäden kommen.

⚠️ WARNUNG: Heben Sie das Sägeblatt nach erfolgtem Schnitt erst an, nachdem es zum völligen Stillstand gekommen ist. Das Anheben eines noch rotierenden Sägeblatts kann zu schweren Personenschäden und Beschädigung des Werkstücks führen.

⚠️ WARNUNG: Führen Sie keine Einstellungen, wie z. B. Drehen von Griff, Knopf und Hebeln, am Werkzeug durch, während das Sägeblatt rotiert. Einstellungen bei rotierendem Sägeblatt können zu ernsthaften Personenschäden führen.

ANMERKUNG: Vor der Benutzung sollten Sie unbedingt den Anschlagstift entriegeln und den Handgriff aus der abgesenkten Position freigeben.

ANMERKUNG: Üben Sie beim Schneiden keinen übermäßigen Druck auf den Handgriff aus. Zu starker Druck kann zu Überlastung des Motors und/oder verminderter Schnittleistung führen. Drücken Sie den Handgriff nur mit so viel Kraft nieder, wie für reibungslosen Sägebetrieb notwendig ist, ohne einen beträchtlichen Abfall der Sägeblatt Drehzahl zu verursachen.

ANMERKUNG: Drücken Sie den Handgriff zur Ausführung des Schnitts sachte nieder. Bei zu großer oder seitlicher Kraftausübung kann das Sägeblatt in Schwingung versetzt werden, wodurch zusätzliche Sägespuren im Werkstück erzeugt werden und die Schnittgenauigkeit beeinträchtigt werden kann.

ANMERKUNG: Schieben Sie den Schlitten bei Schiebesschnitten sachte und ohne anzuhalten zum Gehrungsanschlag. Wird die Schlittenbewegung während des Schnitts unterbrochen, hinterlässt das Sägeblatt eine Markierung im Werkstück, und die Schnittgenauigkeit wird beeinträchtigt.

Kappschnitt

⚠️ WARNUNG: Sperren Sie stets die Gleitbewegung des Schlittens, wenn Sie Kappschnitte durchführen. Schneiden ohne Sperre kann möglichen Rückschlag verursachen, der zu ernsthaften Personenschäden führen kann.

Werkstücke bis zu 68 mm Höhe und 160 mm Breite können auf die folgende Weise geschnitten werden.

- **Abb.43:** 1. Anschlagstift

1. Schieben Sie den Schlitten bis zum Anschlag gegen den Gehrungsanschlag, und verriegeln Sie ihn mit dem Anschlagstift.
2. Sichern Sie das Werkstück mit einem geeigneten Schraubstocktyp.
3. Schalten Sie das Werkzeug ein, ohne dass das Sägeblatt Kontakt hat, und warten Sie, bis es seine volle Drehzahl erreicht, bevor Sie es absenken.
4. Senken Sie den Handgriff zum Schneiden des Werkstücks sachte vollständig ab.
5. Wenn der Schnitt ausgeführt ist, schalten Sie das Werkzeug aus, und warten Sie, bis das Sägeblatt zum vollständigen Stillstand gekommen ist, bevor Sie das Sägeblatt auf seine vollständig angehobene Position zurückführen.

Schiebeschnitt (Schneiden breiter Werkstücke)

⚠️ WARNUNG: Ziehen Sie bei jeder Durchführung eines Schiebeschnitts zuerst den Schlitten ganz auf sich zu, und drücken Sie den Handgriff ganz nach unten, bevor Sie den Schlitten auf den Gehrungsanschlag zu schieben. Starten Sie den Schnitt niemals, ohne den Schlitten ganz auf sich zu gezogen zu haben. Wenn Sie den Schiebeschnitt durchführen, ohne den Schlitten ganz auf sich zu gezogen zu haben, kann ein unerwarteter Rückschlag auftreten, der zu schweren Personenschäden führen kann.

⚠️ WARNUNG: Versuchen Sie niemals, einen Schiebeschnitt durchzuführen, indem Sie den Schlitten auf sich zu ziehen. Wenn Sie den Schlitten während des Schneidbetriebs auf sich zu ziehen, kann ein unerwarteter Rückschlag verursacht werden, der zu schweren Personenschäden führen kann.

⚠️ WARNUNG: Führen Sie niemals einen Schiebeschnitt aus, wenn der Handgriff in der Tiefstellung verriegelt ist.

► Abb.44: 1. Anschlagstift

1. Entriegeln Sie den Anschlagstift, so dass der Schlitten ungehindert gleiten kann.
2. Sichern Sie das Werkstück mit einem geeigneten Schraubstocktyp.
3. Ziehen Sie den Schlitten ganz auf sich zu.
4. Schalten Sie das Werkzeug ein, ohne dass das Sägeblatt Kontakt hat, und warten Sie, bis es seine volle Drehzahl erreicht.
5. Drücken Sie den Handgriff nach unten, und **schieben Sie den Schlitten auf den Gehrungsanschlag zu und durch das Werkstück.**
6. Wenn der Schnitt ausgeführt ist, schalten Sie das Werkzeug aus, und **warten Sie, bis das Sägeblatt zum vollständigen Stillstand gekommen ist**, bevor Sie das Sägeblatt auf seine vollständig angehobene Position zurückführen.

Gehrungsschnitt

Nehmen Sie auf den vorherigen Abschnitt „Einstellen des Gehrungswinkels“ Bezug.

Neigungsschnitt

⚠️ WARNUNG: Nachdem Sie das Sägeblatt für einen Neigungsschnitt eingestellt haben, vergewissern Sie sich, dass Schlitten und Sägeblatt über den gesamten Bereich des beabsichtigten Schnitts Freigang haben, bevor Sie das Werkzeug in Betrieb nehmen. Eine Unterbrechung des Schlitten- oder Sägeblattwegs während des Schneidbetriebs kann zu einem Rückschlag mit daraus resultierenden schweren Personenschäden führen.

⚠️ WARNUNG: Halten Sie Ihre Hände während der Ausführung eines Neigungsschnitts aus dem Weg des Sägeblatts. Der Winkel des Sägeblatts kann den Bediener hinsichtlich des tatsächlichen Sägeblattwegs während des Schneidbetriebs verwirren, und Kontakt mit dem Sägeblatt kann zu schweren Personenschäden führen.

⚠️ WARNUNG: Heben Sie das Sägeblatt erst an, nachdem es zum völligen Stillstand gekommen ist. Während eines Neigungsschnitts kann das abgesägte Stück am Sägeblatt anliegen. Wird das Sägeblatt in rotierendem Zustand angehoben, kann das abgesägte Stück vom Sägeblatt herausgeschleudert werden, so dass das Material zersplittert, was zu schweren Personenschäden führen kann.

ANMERKUNG: Wenn Sie den Handgriff niederdrücken, üben Sie den Druck parallel zum Sägeblatt aus. Falls eine Kraft senkrecht zum Drehteller ausgeübt oder die Druckrichtung während eines Schnitts geändert wird, kann die Genauigkeit des Schnitts beeinträchtigt werden.

► Abb.45

1. Entfernen Sie den oberen Anschlag auf der Seite, auf der Sie den Schlitten neigen werden.
2. Entriegeln Sie den Anschlagstift.
3. Stellen Sie den Neigungswinkel nach dem im Abschnitt „Einstellen des Neigungswinkels“ erläuterten Verfahren ein. Ziehen Sie dann den Knopf fest.
4. Spannen Sie das Werkstück mit einem Schraubstock ein.
5. Ziehen Sie den Schlitten ganz auf sich zu.
6. Schalten Sie das Werkzeug ein, ohne dass das Sägeblatt Kontakt hat, und warten Sie, bis es seine volle Drehzahl erreicht.
7. Senken Sie dann den Handgriff sacht auf die Tiefstellung ab, während Sie Druck parallel zum Sägeblatt ausüben, und **schieben Sie den Schlitten auf den Gehrungsanschlag zu, um das Werkstück zu schneiden.**
8. Wenn der Schnitt ausgeführt ist, schalten Sie das Werkzeug aus, und **warten Sie, bis das Sägeblatt zum vollständigen Stillstand gekommen ist**, bevor Sie das Sägeblatt auf seine vollständig angehobene Position zurückführen.

Compoundschnitt

Unter Compoundschnitt versteht man das Schneiden eines Werkstücks mit gleichzeitiger Gehrungs- und Neigungswinkeleinstellung. Compoundschnitte können in dem in der nachstehenden Tabelle angegebenen Winkel durchgeführt werden.

| Gehrungswinkel | Neigungswinkel |
|---------------------------|---------------------------|
| Links und Rechts 0° - 45° | Links und Rechts 0° - 45° |

Nehmen Sie zur Durchführung von Compound Schnitten auf die Erläuterungen unter „Kappschnitt“, „Schiebeschnitt“, „Gehrungsschnitt“ und „Neigungsschnitt“ Bezug.

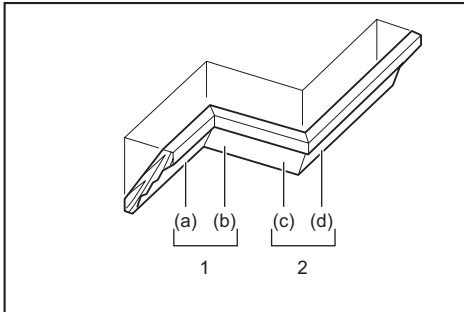
Schneiden von Decken- und Hohlleisten

Decken- und Hohlleisten können flach auf dem Drehteller liegend mit einer Kapp- und Gehrungssäge geschnitten werden.

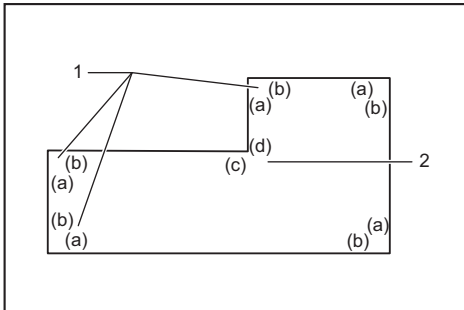
Es gibt zwei allgemeine Deckenleistentypen und einen Hohlleistentyp: Deckenleiste mit 52/38° Wandwinkel, Deckenleiste mit 45° Wandwinkel und Hohlleiste mit 45° Wandwinkel.

- **Abb.46:** 1. 52/38°-Deckenleistentyp
2. 45°-Deckenleistentyp
3. 45°-Hohlleistentyp

Es gibt Decken- und Hohlleistenstöße, die in 90°-Innenecken ((a) und (b) in der Abbildung) und 90°-Außenecken ((c) und (d) in der Abbildung) passen.



1. Innenecke 2. Außenecke



1. Innenecke 2. Außenecke

Messen

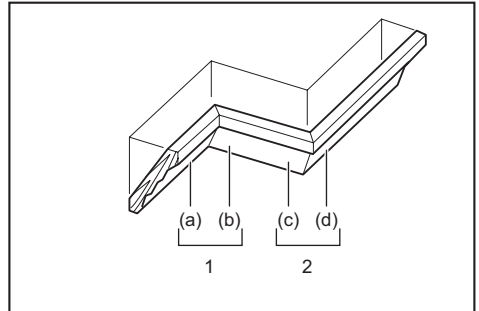
Messen Sie die Wandbreite, und stellen Sie die Breite des Werkstücks dementsprechend ein. Vergewissern Sie sich stets, dass die Breite der Wandkontaktkante des Werkstücks der Wandlänge entspricht.

- **Abb.47:** 1. Werkstück 2. Wandbreite 3. Breite des Werkstücks 4. Wandkontaktkante

Verwenden Sie stets mehrere Stücke für Probeschnitte, um die Sägewinkel zu überprüfen.

Wenn Sie Decken- und Hohlleisten schneiden, stellen Sie den Neigungs- und Gehrungswinkel gemäß den Angaben in Tabelle (A) ein, und legen Sie die Leisten auf die Oberseite der Grundplatte, wie in Tabelle (B) angegeben.

Im Falle eines Linksneigungsschnitts



1. Innenecke 2. Außenecke

Tabelle (A)

| - | Leistenposition in der Abbildung | Neigungswinkel | | Gehrungswinkel | |
|---------------|----------------------------------|----------------|--------------|-----------------|-----------------|
| | | 52/38°-Typ | 45°-Typ | 52/38°-Typ | 45°-Typ |
| Für Innenecke | (a) | Links 33,9° | Links 30° | Rechts 31,6° | Rechts 35,3° |
| | (b) | | | Links 31,6° | Links 35,3° |
| Für Außenecke | (c) | | | Rechts 31,6° | Rechts 35,3° |
| | (d) | | | | |

Tabelle (B)

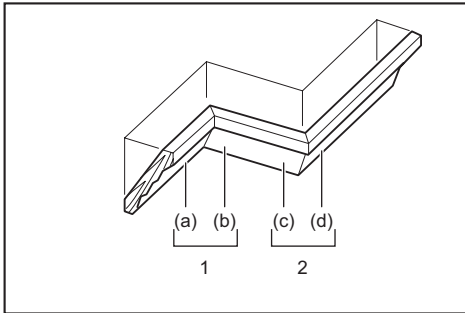
| - | Leistenposition in der Abbildung | Leistenkante gegen Gehrungsanschlag | Fertiges Stück |
|---------------|----------------------------------|---|---|
| Für Innenecke | (a) | Die Deckenkontaktkante muss am Gehrungsanschlag anliegen. | Das fertige Stück befindet sich auf der linken Seite des Sägeblatts. |
| | (b) | Die Wandkontaktkante muss am Gehrungsanschlag anliegen. | |
| Für Außenecke | (c) | Die Deckenkontaktkante muss am Gehrungsanschlag anliegen. | Das fertige Stück befindet sich auf der rechten Seite des Sägeblatts. |
| | (d) | Die Deckenkontaktkante muss am Gehrungsanschlag anliegen. | |

Beispiel:

Schneiden einer 52/38°-Deckenleiste für Position (a) in der obigen Abbildung:

- Neigungswinkel auf 33,9° LINKS einstellen und sichern.
- Gehrungswinkel auf 31,6° RECHTS einstellen und sichern.
- Legen Sie die Deckenleiste mit ihrer breiten (verborgenen) Rückseite auf den Drehteller, so dass ihre DECKENKONTAKTKANTE am Gehrungsanschlag der Säge anliegt.
- Das zu verwendende fertige Stück befindet sich nach der Ausführung des Schnitts immer auf der LINKEN Seite des Sägeblatts.

Im Falle eines Rechtsneigungsschnitts



1. Innenecke 2. Außenecke

Tabelle (A)

| – | Leistenposition in der Abbildung | Neigungswinkel | | Gehrungswinkel | |
|---------------|----------------------------------|----------------|------------|----------------|--------------|
| | | 52/38°-Typ | 45°-Typ | 52/38°-Typ | 45°-Typ |
| Für Innenecke | (a) | Rechts 33,9° | Rechts 30° | Rechts 31,6° | Rechts 35,3° |
| | (b) | | | Links 31,6° | Links 35,3° |
| Für Außenecke | (c) | | | Rechts 31,6° | Rechts 35,3° |
| | (d) | | | Rechts 31,6° | Rechts 35,3° |

Tabelle (B)

| – | Leistenposition in der Abbildung | Leistenkante gegen Gehrungsanschlag | Fertiges Stück |
|---------------|----------------------------------|---|---|
| Für Innenecke | (a) | Die Wandkontaktkante muss am Gehrungsanschlag anliegen. | Das fertige Stück befindet sich auf der rechten Seite des Sägeblatts. |
| | (b) | Die Deckenkontaktkante muss am Gehrungsanschlag anliegen. | |
| Für Außenecke | (c) | Die Wandkontaktkante muss am Gehrungsanschlag anliegen. | Das fertige Stück befindet sich auf der linken Seite des Sägeblatts. |
| | (d) | Die Deckenkontaktkante muss am Gehrungsanschlag anliegen. | |

Beispiel:

Schneiden einer 52/38°-Deckenleiste für Position (a) in der obigen Abbildung:

- Neigungswinkel auf 33,9° RECHTS einstellen und sichern.
- Gehrungswinkel auf 31,6° RECHTS einstellen und sichern.
- Legen Sie die Deckenleiste mit ihrer breiten (verborgenen) Rückseite auf den Drehteller, so dass ihre WANDKONTAKTKANTE am Gehrungsanschlag der Säge anliegt.
- Das zu verwendende fertige Stück befindet sich nach der Ausführung des Schnitts immer auf der RECHTEN Seite des Sägeblatts.

Deckenleistenanschlag

Sonderzubehör

Deckenleistenanschlüsse gestatten bequemeres Schneiden von Deckenleisten, ohne das Sägeblatt neigen zu müssen. Montieren Sie diese auf dem Drehteller, wie in den Abbildungen gezeigt.

Rechter 45°-Gehrungswinkel

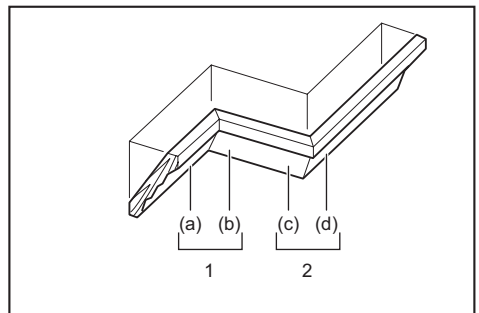
- **Abb.48:** 1. Deckenleistenanschlag L
2. Deckenleistenanschlag R 3. Drehteller
4. Gehrungsanschlag

Linker 45°-Gehrungswinkel

- **Abb.49:** 1. Deckenleistenanschlag L
2. Deckenleistenanschlag R 3. Drehteller
4. Gehrungsanschlag

Positionieren Sie die Deckenleiste mit ihrer WANDKONTAKTKANTE gegen den Gehrungsanschlag und mit ihrer DECKENKONTAKTKANTE gegen die Deckenleistenanschlüsse, wie in der Abbildung gezeigt. Stellen Sie die Deckenleistenanschlüsse der Größe der Deckenleiste entsprechend ein. Ziehen Sie die Schrauben fest, um die Deckenleistenanschlüsse zu sichern. Nehmen Sie für den Gehrungswinkel auf die Tabelle (C) Bezug.

- **Abb.50:** 1. Gehrungsanschlag
2. Deckenleistenanschlag



1. Innenecke 2. Außenecke

Tabelle (C)

| – | Leistenposition in der Abbildung | Gehrungswinkel | Fertiges Stück |
|---------------|----------------------------------|----------------|--|
| Für Innenecke | (a) | Rechts 45° | Stück auf rechter Sägeblattseite verwenden |
| | (b) | Links 45° | Stück auf linker Sägeblattseite verwenden |
| Für Außenecke | (c) | | Stück auf rechter Sägeblattseite verwenden |
| | (d) | Rechts 45° | Stück auf linker Sägeblattseite verwenden |

Schneiden von Aluminium-Strangpressprofilen

- **Abb.51:** 1. Schraubstock 2. Distanzblock 3. Gehrungsanschlag 4. Aluminium-Strangpressprofil 5. Distanzblock

Verwenden Sie zum Einspannen von Aluminium-Strangpressprofilen Distanzblöcke oder Abfallholzstücke, wie in der Abbildung gezeigt, um eine Verformung des Aluminiums zu vermeiden. Verwenden Sie Schneidschmiermittel zum Schneiden von Aluminium-Strangpressprofilen, um die Ablagerung von Aluminium-Rückständen am Sägeblatt zu verhüten.

⚠️ WARNUNG: Versuchen Sie niemals, dicke oder runde Aluminium-Strangpressprofile zu schneiden. Dicke oder runde Aluminium-Strangpressprofile können schwierig zu sichern sein. Sie können sich während des Schneidbetriebs lockern, was zu Verlust der Kontrolle und ernsthaften Personenschäden führen kann.

Nutenschneiden

⚠️ WARNUNG: Versuchen Sie nicht, derartige Schnitte mit einem breiteren Sägeblatt oder einem Dado-Sägeblatt auszuführen. Der Versuch, einen Nutenschnitt mit einem breiteren Sägeblatt oder Dado-Sägeblatt durchzuführen, könnte zu unerwarteten Schnittergebnissen und Rückschlag führen, was schwere Personenschäden zur Folge haben könnte.

⚠️ WARNUNG: Stellen Sie den Anschlagarm unbedingt wieder auf die Ausgangsstellung zurück, wenn Sie andere Schnitte als Nutenschnitte ausführen. Der Versuch, Schnitte mit dem Anschlagarm in der falschen Position durchzuführen, könnte zu unerwarteten Schnittergebnissen und Rückschlag führen, was schwere Personenschäden zur Folge haben könnte.

Führen Sie Dado-Schnitte wie folgt aus:

1. Stellen Sie die untere Grenzposition des Sägeblatts mit der Einstellschraube und dem Anschlagarm ein, um die Schnitttiefe des Sägeblatts zu begrenzen. Nehmen Sie auf den obigen Abschnitt „Anschlagarm“ Bezug.

2. Nachdem Sie die untere Grenzposition des Sägeblatts eingestellt haben, schneiden Sie mittels Schiebescnritt parallele Nuten über die Breite des Werkstücks.

► **Abb.52:** 1. Nuten mit dem Sägeblatt schneiden

3. Heben Sie dann das Werkstückmaterial zwischen den Nuten mit einem Stemmeisen aus.

Tragen des Werkzeugs

Denken Sie vor dem Tragen stets daran, das Werkzeug vom Stromnetz zu trennen, und vergewissern Sie sich, dass alle beweglichen Teile der Gehrungsäge gesichert sind. Überprüfen Sie stets Folgendes:

- Das Werkzeug ist vom Stromnetz getrennt.
- Der Schlitten befindet sich in der 0°-Neigungswinkelposition und ist gesichert.
- Der Schlitten ist abgesenkt und verriegelt.
- Der Schlitten ist vollständig zum Gehrungsanschlag hin geschoben und verriegelt.
- Der Drehteller befindet sich an der rechten Gehrungswinkel-Anschlagposition und ist gesichert.
- Die Auflagebügel sind verstaut und gesichert.

Tragen Sie das Werkzeug, indem Sie die Grundplatte auf beiden Seiten halten, wie in der Abbildung gezeigt.

► **Abb.53**

⚠️ WARNUNG: Der Anschlagstift für Schlittenanhebung ist nur zum Tragen und zur Lagerung, nicht für irgendwelche Schneidarbeiten, vorgesehen. Der Gebrauch des Anschlagstifts für Schneidarbeiten kann eine unerwartete Bewegung des Sägeblatts verursachen, die zu Rückschlag und schweren Personenschäden führen kann.

⚠️ VORSICHT: Sichern Sie stets alle beweglichen Teile, bevor Sie das Werkzeug tragen. Falls Teile des Werkzeugs sich beim Tragen bewegen oder verschieben, kann es zu Verlust der Kontrolle oder Balance kommen, was Personenschäden zur Folge haben kann.

WARTUNG

⚠️ WARNUNG: Vergewissern Sie sich vor der Durchführung von Überprüfungen oder Wartungsarbeiten stets, dass das Werkzeug ausgeschaltet und vom Stromnetz getrennt ist.

Das Versäumnis, das Werkzeug vom Stromnetz zu trennen und auszuschalten, kann versehentliches Anlaufen und schwere Verletzungen verursachen.

⚠️ WARNUNG: Achten Sie stets darauf, dass das Sägeblatt scharf und sauber ist, um die bestmögliche und sicherste Leistung zu erzielen. Der Versuch, einen Schnitt mit einem stumpfen und/oder verschmutzten Sägeblatt auszuführen, kann Rückschlag verursachen und zu schweren Personenschäden führen.

ANMERKUNG: Verwenden Sie auf keinen Fall Benzin, Waschbenzin, Verdünnern, Alkohol oder dergleichen. Solche Mittel können Verfärbung, Verformung oder Rissbildung verursachen.

Einstellen des Schnittwinkels

Dieses Werkzeug wurde werksseitig sorgfältig eingestellt und justiert, doch grobe Behandlung kann die Justierung beeinträchtigen. Sollte Ihr Werkzeug einer Nachjustierung bedürfen, gehen Sie folgendermaßen vor:

Gehrungswinkel

Senken Sie den Handgriff ganz ab, und verriegeln Sie ihn in der Tiefstellung mit dem Anschlagstift. Schieben Sie den Schlitten in Richtung des Gehrungsanschlags. Lösen Sie den Griff und die Schrauben, die den Zeiger und die Gehrungswinkelskala sichern.

► **Abb.54:** 1. Schraube am Zeiger 2. Schrauben an der Gehrungswinkelskala
3. Gehrungswinkelskala

Stellen Sie den Drehteller mit der Festanschlagfunktion auf die 0°-Position. Bringen Sie die Seitenfläche des Sägeblatts mit Hilfe eines Einstelldreiecks oder Anschlagwinkels in den rechten Winkel mit der Fläche des Gehrungsanschlags. Während Sie den rechten Winkel beibehalten, ziehen Sie die Schrauben an der Gehrungswinkelskala fest. Richten Sie danach die Zeiger (rechts und links) auf die 0°-Position der Gehrungswinkelskala aus, und ziehen Sie dann die Schraube am Zeiger fest.

► **Abb.55:** 1. Einstelldreieck

Neigungswinkel

0°-Neigungswinkel

Schieben Sie den Schlitten in Richtung des Gehrungsanschlags, und arretieren Sie die Gleitbewegung mit dem Anschlagstift. Senken Sie den Handgriff vollständig ab, verriegeln Sie ihn mit dem Anschlagstift in der Tiefstellung, und lösen Sie dann den Knopf. Drehen Sie die 0°-Einstellschraube um zwei oder drei Umdrehungen entgegen dem Uhrzeigersinn, um das Sägeblatt nach rechts zu neigen.

► **Abb.56:** 1. 0°-Einstellschraube 2. Schraube

Bringen Sie die Seitenfläche des Sägeblatts mit Hilfe eines Einstelldreiecks, Anschlagwinkels usw. in den rechten Winkel mit der Drehteller-Oberfläche, indem Sie die 0°-Einstellschraube im Uhrzeigersinn drehen. Ziehen Sie dann den Knopf sicher fest, um den eingestellten 0°-Winkel zu sichern.

► **Abb.57:** 1. Einstelldreieck 2. Sägeblatt
3. Drehteller-Oberfläche

Prüfen Sie erneut, ob die Seite des Sägeblatts im rechten Winkel zur Drehtelleroberfläche steht. Lösen Sie die Schraube am Zeiger. Richten Sie den Zeiger auf die 0°-Position der Neigungswinkelskala aus, und ziehen Sie dann die Schraube fest.

45°-Neigungswinkel

ANMERKUNG: Bevor Sie den 45°-Neigungswinkel einstellen, beenden Sie die 0°-Neigungswinkeleinstellung.

Lösen Sie den Knopf, und neigen Sie den Schlitten vollständig zu der zu überprüfenden Seite.

Prüfen Sie, ob der Zeiger die 45°-Position auf der Neigungswinkelskala anzeigt.

► **Abb.58**

Falls der Zeiger nicht die 45°-Position anzeigt, richten Sie ihn auf die 45°-Position aus, indem Sie die Einstellschraube auf der entgegengesetzten Seite der Neigungswinkelskala drehen.

► **Abb.59:** 1. Linke 45°-Einstellschraube 2. Rechte 45°-Einstellschraube

Einstellen der Laserlinienposition

Nur für Modell LS1019L

⚠️ WARNUNG: Zum Einstellen der Laserlinie muss das Werkzeug am Stromnetz angeschlossen sein. Achten Sie mit besonderer Sorgfalt darauf, dass das Werkzeug während der Einstellung nicht eingeschaltet wird. Versehentliches Anlaufen des Werkzeugs kann zu schweren Personenschäden führen.

⚠️ VORSICHT: Blicken Sie auf keinen Fall direkt in den Laserstrahl. Direkte Aussetzung Ihrer Augen zum Strahl kann schwere Augenschäden verursachen.

ANMERKUNG: Überprüfen Sie die Genauigkeit der Laserlinienposition regelmäßig.

ANMERKUNG: Vermeiden Sie Erschütterungen des Werkzeugs. Diese können eine Fehlausrichtung der Laserlinie oder eine Beschädigung des Lasers verursachen und seine Lebensdauer verkürzen.

ANMERKUNG: Lassen Sie das Werkzeug von einem autorisierten Makita-Kundendienstzentrum reparieren, falls eine Störung der Lasereinheit vorliegt.

Der Bewegungsbereich der Laserlinie wird durch die Bereichseinstellschrauben auf beiden Seiten bestimmt. Führen Sie die folgenden Verfahren durch, um die Position der Laserlinie zu ändern.

1. Trennen Sie das Werkzeug vom Stromnetz.
2. Zeichnen Sie eine Schnittlinie auf dem Werkstück an, und legen Sie es auf den Drehteller. Spannen Sie dabei das Werkstück nicht mit einem Schraubstock oder einer ähnlichen Klemmvorrichtung ein.

3. Senken Sie den Handgriff ab, und richten Sie die Schnittlinie auf das Sägeblatt aus.
4. Stellen Sie den Handgriff wieder auf die Ausgangsposition zurück, und sichern Sie das Werkstück mit dem Vertikal-Schraubstock, so dass es sich nicht aus der festgelegten Position verlagert.
5. Schließen Sie das Werkzeug an das Stromnetz an, und schalten Sie den Laserschalter ein.
6. Lösen Sie die Einstellschraube. Um die Laserlinie vom Sägeblatt weg zu verschieben, drehen Sie die Bereichseinstellschraube entgegen dem Uhrzeigersinn. Um die Laserlinie zum Sägeblatt hin zu verschieben, drehen Sie die Bereichseinstellschraube im Uhrzeigersinn.

Einstellen der Laserlinie auf der linken Seite des Sägeblatts

- **Abb.60:** 1. Einstellschraube
2. Bereichseinstellschraube
3. Inbusschlüssel 4. Laserlinie 5. Sägeblatt

Einstellen der Laserlinie auf der rechten Seite des Sägeblatts

- **Abb.61:** 1. Einstellschraube
2. Bereichseinstellschraube
3. Inbusschlüssel 4. Laserlinie 5. Sägeblatt

7. Verschieben Sie die Einstellschraube zu der Position, wo sich die Laserlinie mit der Schnittlinie deckt, und ziehen Sie dann die Schraube fest.

HINWEIS: Der Verstellbereich der Laserlinie wurde werksseitig auf 1 mm (0,04") von der Seitenfläche des Sägeblatts eingestellt.

Reinigen der Laserlinse

Nur für Modell LS1019L

Die Sichtbarkeit des Laserlichts verschlechtert sich, wenn die Linse für das Laserlicht schmutzig wird. Reinigen Sie die Linse für das Laserlicht regelmäßig.

- **Abb.62:** 1. Schraube 2. Linse

Trennen Sie das Werkzeug vom Stromnetz. Lösen Sie die Schraube, und ziehen Sie die Linse heraus. Reinigen Sie die Linse sachte mit einem feuchten, weichen Tuch.

ANMERKUNG: Entfernen Sie nicht die Schraube, mit der die Linse gesichert ist. Falls sich die Linse nicht herausziehen lässt, lösen Sie die Schraube weiter.

ANMERKUNG: Verwenden Sie keine Lösungsmittel oder Reinigungsmittel auf Petroleumbasis zum Reinigen der Linse.

Auswechseln der Kohlebürsten

- **Abb.63:** 1. Verschleißgrenze

Die Kohlebürsten müssen regelmäßig entfernt und überprüft werden. Wenn sie bis zur Verschleißgrenze abgenutzt sind, müssen sie erneuert werden. Halten Sie die Kohlebürsten stets sauber, damit sie ungehindert in den Haltern gleiten können. Beide Kohlebürsten sollten gleichzeitig ausgewechselt werden. Verwenden Sie nur identische Kohlebürsten.

Drehen Sie die Bürstenhalterkappen mit einem Schraubendreher heraus. Nehmen Sie die abgenutzten Kohlebürsten heraus, setzen Sie die neuen ein, und drehen Sie dann die Bürstenhalterkappen wieder ein.

- **Abb.64:** 1. Bürstenhalterkappe

Schalten Sie das Werkzeug nach dem Auswechseln der Bürsten ein, um die Bürsten bei im Leerlauf laufendem Werkzeug etwa 10 Minuten lang einzuschleifen. Überprüfen Sie dann das Werkzeug im Betrieb und die Funktion der elektrischen Bremse, wenn Sie den Auslöseschalter loslassen. Falls die elektrische Bremse nicht einwandfrei funktioniert, lassen Sie das Werkzeug von einer Makita-Kundendienststelle reparieren.

Nach dem Gebrauch

Wischen Sie nach dem Gebrauch am Werkzeug haftende Späne und Staub mit einem Tuch oder dergleichen ab. Halten Sie die Sägeblattschutzhaube gemäß den Anweisungen im vorhergehenden Abschnitt „Sägeblattschutzhaube“ sauber. Schmieren Sie die Gleitteile des Werkzeugs mit Öl, um Rostbildung zu verhüten.

Um die SICHERHEIT und ZUVERLÄSSIGKEIT dieses Produkts zu gewährleisten, sollten Reparaturen und andere Wartungs- oder Einstellarbeiten nur von Makita-Vertragswerkstätten oder Makita-Kundendienstzentren unter ausschließlicher Verwendung von Makita-Originalersatzteilen ausgeführt werden.

SONDERZUBEHÖR

⚠️ WARNUNG: Die folgenden Makita-Zubehörteile oder Vorrichtungen werden für den Einsatz mit dem in dieser Anleitung beschriebenen Makita-Werkzeug empfohlen. Der Gebrauch anderer Zubehörteile oder Vorrichtungen kann zu schweren Personenschäden führen.

⚠️ WARNUNG: Verwenden Sie die Makita-Zubehörteile oder -Vorrichtungen nur für ihren vorgesehenen Zweck. Fehlgebrauch eines Zubehörteils oder einer Vorrichtung kann zu schweren Verletzungen führen.

Wenn Sie weitere Einzelheiten bezüglich dieser Zubehörteile benötigen, wenden Sie sich bitte an Ihre Makita-Kundendienststelle.

- Hartmetallbestückte Stahlsägeblätter
- Vertikal-Schraubstock
- Horizontal-Schraubstock
- Deckenleistenanschlagsatz
- Staubsack
- Einstelldreieck
- Inbusschlüssel
- Inbusschlüssel (für LS1019L)

HINWEIS: Manche Teile in der Liste können als Standardzubehör im Werkzeugsatz enthalten sein. Sie können von Land zu Land unterschiedlich sein.

DATI TECNICI

| Modello: | | LS1019 | LS1019L |
|------------------------------------|-----------------------------|------------------------------|--|
| Diametro lama | Nazioni europee | 260 mm | |
| | Nazioni diverse dall'Europa | 255 mm - 260 mm | |
| Diametro foro | Nazioni europee | 30 mm | |
| | Nazioni diverse dall'Europa | 25,4 mm | |
| Spessore max. di taglio della lama | | 3,2 mm | |
| Angolo di taglio obliquo max. | | A destra 60°, a sinistra 60° | |
| Angolo di taglio a unghia max. | | A destra 48°, a sinistra 48° | |
| Velocità a vuoto (giri/min) | | 3.200 min ⁻¹ | |
| Tipo di laser | | - | Laser rosso da 650 nm, potenza massima in uscita < 1,6 mW (Laser di Classe 2M) |
| Dimensioni (L x P x A) | | 805 mm x 644 mm x 660 mm | |
| Peso netto | | 26,1 kg | 26,3 kg |

Capacità di taglio (A x P)

| Angolo di taglio obliquo | Angolo di taglio a unghia | | |
|-----------------------------|----------------------------------|----------------------------------|----------------------------------|
| | 45° (a sinistra) | 0° | 45° (a destra) |
| 0° | 42 mm x 310 mm 58 mm x 279 mm | 68 mm x 310 mm 91 mm x 279 mm | 29 mm x 310 mm 43 mm x 279 mm |
| 45° (a destra e a sinistra) | 42 mm x 218 mm 58 mm x 197 mm | 68 mm x 218 mm 91 mm x 197 mm | 29 mm x 218 mm 43 mm x 197 mm |
| 60° (a destra e a sinistra) | - | 68 mm x 155 mm 91 mm x 139 mm | - |

Capacità di taglio per tagli speciali

| Tipo di taglio | Capacità di taglio |
|--|--------------------|
| Modanatura a corona di tipo a 45° (utilizzando un fermo per modanatura a corona) | 168 mm |
| Battiscopa (quando si utilizza la morsa orizzontale) | 133 mm |

- In conseguenza del nostro programma di ricerca e sviluppo continui, i dati tecnici nel presente manuale sono soggetti a modifiche senza preavviso.
- I dati tecnici possono variare da nazione a nazione.
- Peso in base alla procedura EPTA 01/2014

Simboli

La figura seguente mostra i simboli utilizzati per l'apparecchio. Accertarsi di comprendere il loro significato prima dell'uso.



Leggere il manuale d'uso.



DOPPIO ISOLAMENTO



Per evitare lesioni personali causate da frammenti volanti, dopo aver effettuato dei tagli, mantenere la testa della sega rivolta verso il basso fino all'arresto completo della lama.



Quando si intende eseguire un taglio a scorrimento, innanzitutto tirare completamente il carrello e premere verso il basso il manico, quindi spingere il carrello verso la guida pezzo.



Non posizionare la mano o le dita in prossimità della lama.



Non guardare mai direttamente il raggio laser. Il raggio laser diretto può danneggiare gli occhi.



Solo per le nazioni della UE
Non smaltire gli apparecchi elettrici insieme ai rifiuti domestici! In conformità alla Direttiva Europea sui rifiuti di apparecchiature elettriche ed elettroniche (RAEE), e alla sua implementazione in base alla legge nazionale, gli apparecchi elettrici che hanno raggiunto la fine della loro vita utile devono essere sottoposti a raccolta differenziata e conferiti a una struttura di riciclaggio ecocompatibile.

Utilizzo previsto

Questo utensile va utilizzato per eseguire tagli di precisione diritti e inclinati del legno. Con le lame appropriate, è possibile segare anche l'alluminio.

Alimentazione

L'utensile deve essere collegato a una fonte di alimentazione con la stessa tensione indicata sulla targhetta del nome, e può funzionare solo a corrente alternata monofase. L'utensile è dotato di doppio isolamento, per cui può essere utilizzato con prese elettriche sprovviste di messa a terra.

Rumore

Livello tipico di rumore pesato A determinato in base allo standard EN62841:

Modello LS1019

Livello di pressione sonora (L_{pA}): 91 dB (A)

Livello di potenza sonora (L_{WA}): 101 dB (A)

Incertezza (K): 3 dB (A)

Modello LS1019L

Livello di pressione sonora (L_{pA}): 91 dB (A)

Livello di potenza sonora (L_{WA}): 101 dB (A)

Incertezza (K): 3 dB (A)

AVVERTIMENTO: Indossare protezioni per le orecchie.

Vibrazioni

Valore totale delle vibrazioni (somma vettoriale triassiale) determinato in base allo standard EN62841:

Modello LS1019

Emissione di vibrazioni (a_h): 2,5 m/s² o inferiore

Incertezza (K): 1,5 m/s²

Modello LS1019L

Emissione di vibrazioni (a_h): 2,5 m/s² o inferiore

Incertezza (K): 1,5 m/s²

NOTA: Il valore di emissione delle vibrazioni dichiarato è stato misurato in conformità al metodo standard di verifica, e può essere utilizzato per confrontare un utensile con un altro.

NOTA: Il valore di emissione delle vibrazioni dichiarato può venire utilizzato anche per una valutazione preliminare dell'esposizione.

AVVERTIMENTO: L'emissione delle vibrazioni durante l'utilizzo effettivo dell'utensile elettrico può variare rispetto al valore di emissione dichiarato, a seconda dei modi in cui viene utilizzato l'utensile.

AVVERTIMENTO: Accertarsi di identificare le misure di sicurezza per la protezione dell'operatore basate sulla stima dell'esposizione nelle condizioni effettive di utilizzo (tenendo presente tutte le parti del ciclo operativo, ad esempio le volte in cui l'utensile viene spento e quando gira a vuoto, oltre al tempo di attivazione).

Dichiarazione di conformità CE

Solo per i paesi europei

La dichiarazione di conformità CE è inclusa nell'Allegato A al presente manuale di istruzioni.

AVVERTENZE DI SICUREZZA

Avvertenze generali relative alla sicurezza dell'utensile elettrico

AVVERTIMENTO: Leggere tutte le avvertenze di sicurezza, le istruzioni, le illustrazioni e i dati tecnici forniti con il presente utensile elettrico. La mancata osservanza di tutte le istruzioni elencate di seguito potrebbe risultare in scosse elettriche, incendi e/o gravi lesioni personali.

Conservare tutte le avvertenze e le istruzioni come riferimento futuro.

Il termine "utensile elettrico" nelle avvertenze si riferisce sia all'utensile elettrico (cablato) nel funzionamento alimentato da rete elettrica che all'utensile elettrico (a batteria) nel funzionamento alimentato a batteria.

Istruzioni di sicurezza relative alle troncatrici

1. **Le troncatrici sono destinate a tagliare legno o prodotti simili al legno, non possono essere utilizzate con mole abrasive per il taglio di materiali ferrosi quali barre, aste, montanti, e così via.** La polvere abrasiva causa l'inceppamento delle parti mobili, ad esempio della protezione inferiore. Le scintille dovute al taglio abrasivo bruciano la protezione inferiore, la placchetta di taglio e altre parti in plastica.
2. **Utilizzare sempre delle morse per sostenere il pezzo in lavorazione, se possibile. Qualora si mantenga il pezzo in lavorazione con le mani, è necessario sempre tenere la mano ad almeno 100 mm da entrambi i lati della lama. Non utilizzare questa sega per tagliare pezzi che siano troppo piccoli per poter essere fissati saldamente con delle morse o mantenuti in mano.** Qualora si posizioni la mano troppo vicina alla lama, sussiste un maggior rischio di lesioni personali dovute al contatto con la lama.

3. **Il pezzo in lavorazione deve essere immobile e fissato con delle morse o tenuto fermo appoggiandolo sia contro la guida che contro il tavolo. Non passare il pezzo in lavorazione nella lama né tagliarlo "a mani libere" in alcun modo.** Pezzi in lavorazione non bloccati o in movimento potrebbero venire scagliati ad alte velocità, causando lesioni personali.
 4. **Spingere la sega attraverso il pezzo in lavorazione. Non tirare la sega attraverso il pezzo in lavorazione. Per effettuare un taglio, sollevare la testa della sega e tirarla verso l'esterno sopra il pezzo in lavorazione senza tagliare, avviare il motore, premere la testa della sega verso il basso e spingere la sega attraverso il pezzo in lavorazione.** Qualora si tagli durante il movimento per tirare la sega, è probabile che la lama fuoriesca al di sopra del pezzo in lavorazione e che il gruppo lama venga scagliato con violenza verso l'operatore.
 5. **Non attraversare mai con la mano la linea di taglio stabilita, né davanti né dietro la lama.** È molto pericoloso sostenere il pezzo in lavorazione "con la mano incrociata", vale a dire mantenendo il pezzo in lavorazione a destra della lama con la mano sinistra o viceversa.
- **Fig.1**
6. **Non allungare le mani dietro la guida a una distanza inferiore a 100 mm da entrambi i lati della lama, per rimuovere sfridi di legno o per qualsiasi altro motivo, mentre la lama sta ruotando.** La prossimità della lama in rotazione alla mano potrebbe non risultare evidente, e si potrebbero subire gravi lesioni personali.
 7. **Ispezionare il pezzo in lavorazione prima di effettuare il taglio. Qualora il pezzo in lavorazione sia curvato o distorto, fissarlo con una morsa con il lato esterno curvato rivolto verso la guida. Accertarsi sempre che non vi siano spazi tra il pezzo in lavorazione, la guida e il tavolo lungo la linea di taglio.** Pezzi in lavorazione piegati o distorti possono torcersi o spostarsi, e potrebbero causare l'inceppamento della lama in rotazione durante il taglio. Nel pezzo in lavorazione non devono essere presenti chiodi o corpi estranei.
 8. **Non utilizzare la sega fino a quando il tavolo è libero da tutti gli utensili, gli sfridi di legno, e così via, tranne il pezzo in lavorazione.** Piccoli detriti o pezzi allentati di legno o altri oggetti che entrano in contatto con la lama in rotazione possono venire scagliati ad alta velocità.
 9. **Tagliare un solo pezzo in lavorazione alla volta.** Non è possibile fissare con una morsa o supportare in modo adeguato più pezzi in lavorazione impilati, e questi ultimi potrebbero incepparsi nella lama o spostarsi durante il taglio.
 10. **Accertarsi che la troncatrice venga montata o posizionata su una superficie di lavoro piana e stabile prima dell'uso.** Una superficie di lavoro piana e stabile riduce il rischio che la troncatrice diventi instabile.
 11. **Pianificare il lavoro. Ogni volta che si cambia l'impostazione dell'angolo di taglio a unghia od obliquo, accertarsi che la guida regolabile sia impostata correttamente per sostenere il pezzo in lavorazione e che non interferisca con la lama o il sistema di protezione.** Senza accendere l'utensile e senza alcun pezzo in lavorazione sul tavolo, spostare la lama attraverso un taglio simulato completo per accertarsi che non vi siano interferenze o pericolo di tagliare la guida.
 12. **Fornire un supporto adeguato, ad esempio prolungamenti del tavolo, cavalletti per segare la legna, e così via, per un pezzo in lavorazione che sia più largo o più lungo della superficie del tavolo.** I pezzi in lavorazione più lunghi o più larghi del tavolo della troncatrice possono rovesciarsi, se non vengono supportati saldamente. Qualora il pezzo tagliato o il pezzo in lavorazione si rovesci, può sollevare la protezione inferiore o venire scagliato dalla lama in rotazione.
 13. **Non utilizzare un'altra persona come supporto aggiuntivo.** Il supporto instabile per il pezzo in lavorazione può causare l'inceppamento della lama o lo spostamento del pezzo in lavorazione durante l'operazione di taglio, tirando sia l'operatore che l'aiutante verso la lama in rotazione.
 14. **Il pezzo tagliato non deve venire spinto con forza né premuto in alcun modo contro la lama in rotazione.** Il pezzo tagliato, qualora sia confinato, ad esempio mediante l'uso di battute longitudinali, potrebbe incunearsi contro la lama e venire scagliato con violenza.
 15. **Utilizzare sempre una morsa o un dispositivo di fissaggio progettato per sostenere correttamente materiali tondi, quali aste o tubazioni.** Le aste tendono a rotolare mentre vengono tagliate, facendo sì che la lama "morda" e tiri il pezzo in lavorazione insieme alla mano verso la lama.
 16. **Lasciar raggiungere la massima velocità alla lama, prima di mettere quest'ultima in contatto con il pezzo in lavorazione.** In tal modo si riduce il rischio che il pezzo in lavorazione venga scagliato.
 17. **Qualora il pezzo in lavorazione o la lama si inceppino, spegnere la troncatrice. Attendere che tutte le parti mobili si arrestino, scollegare la spina dalla fonte di alimentazione, e/o rimuovere la cartuccia della batteria. Quindi, intervenire per liberare il materiale inceppato.** Qualora si continui a segare con un pezzo in lavorazione inceppato, si potrebbe causare la perdita di controllo o il danneggiamento della troncatrice.
 18. **Dopo aver terminato il taglio, rilasciare l'interruttore, mantenere la testa della sega abbassata e attendere che la lama si arresti, prima di rimuovere il pezzo tagliato.** È pericoloso allungare una mano dietro la lama che si sta arrestando.
 19. **Mantenere il manico saldamente quando si intende effettuare un taglio incompleto o quando si intende rilasciare l'interruttore prima che la testa della sega sia completamente in posizione abbassata.** L'operazione di frenatura della sega potrebbe far sì che la testa della sega venga tirata improvvisamente verso il basso, causando un rischio di lesione personale.
 20. **Utilizzare esclusivamente una lama che abbia il diametro indicato sull'utensile o specificato nel manuale.** L'uso di una lama di dimensioni errate potrebbe influire sulla corretta protezione della lama o sul funzionamento della protezione, il che potrebbe risultare in gravi lesioni personali.
 21. **Utilizzare solo lame che siano contrassegnate con una velocità pari o superiore a quella contrassegnata sull'utensile.**
 22. **Non utilizzare la sega per tagliare materiali diversi da legno, alluminio o simili.**

23. (Solo per le nazioni europee)
Utilizzare sempre una lama conforme allo standard EN847-1.

Istruzioni aggiuntive

1. Rendere le officine a prova di bambino utilizzando lucchetti.
2. Non salire mai sull'utensile. Qualora l'utensile si rovesci o si entri accidentalmente in contatto con l'utensile da taglio, si potrebbero verificare gravi lesioni personali.
3. Non lasciare mai l'utensile in funzione incustodito. Sganciarlo. Non abbandonare l'utensile fino al suo arresto completo.
4. Non utilizzare la sega senza le protezioni in posizione. Controllare che la protezione lama si chiuda correttamente prima di ciascun utilizzo. Non utilizzare la sega qualora la protezione lama non si muova liberamente e non si chiuda istantaneamente. Non bloccare o legare mai la protezione lama in posizione di apertura.
5. Tenere le mani fuori dal percorso della lama. Evitare il contatto con la lama durante il moto inerziale. La lama può ancora causare gravi lesioni personali.
6. Non bloccare o legare mai la protezione lama in posizione di apertura.
7. Per ridurre il rischio di lesioni personali, riportare il carrello nella posizione più arretrata dopo ciascuna operazione di taglio di testa.
8. Fissare sempre tutte le parti mobili prima di trasportare l'utensile.
9. Il perno di fermo che blocca verso il basso la testa troncatrice va utilizzato solo per trasportare o riporre l'utensile, non per operazioni di taglio di alcun genere.
10. Controllare con cura che la lama non presenti crepe o danneggiamenti prima dell'utilizzo. Sostituire immediatamente le lame spaccate o danneggiate. Gomma e pece nera indurite sulle lame rallentano la sega e fanno aumentare il rischio di contraccolpi. Mantenere la lama pulita rimuovendola innanzitutto dall'utensile, e quindi pulendola con sostanze di rimozione della gomma e della pece, acqua calda o cherosene. Non utilizzare mai benzina per pulire la lama.
11. Mentre si effettua un taglio a scorrimento, può verificarsi un CONTRACCOLPO. Il CONTRACCOLPO si verifica quando la lama si inceppa nel pezzo in lavorazione durante un'operazione di taglio, e la lama viene spinta rapidamente verso l'operatore. Di conseguenza, si possono verificare la perdita di controllo e gravi lesioni personali. Qualora la lama inizi a incepparsi durante un'operazione di taglio, non proseguire il taglio e rilasciare immediatamente l'interruttore.
12. Utilizzare esclusivamente le flange specificate per il presente utensile.

13. Fare attenzione a non danneggiare l'albero, le flange (soprattutto la superficie di installazione) o il bullone. Eventuali danni a queste parti potrebbero risultare nella rottura della lama.
14. Accertarsi che la base girevole sia fissata saldamente, affinché non si muova durante l'uso dell'utensile. Utilizzare i fori presenti nella base per fissare la sega a una piattaforma di lavoro o un banco stabili. Non utilizzare MAI l'utensile qualora il posizionamento dell'operatore risulti scomodo.
15. Prima di accendere l'utensile, accertarsi di aver rilasciato il blocco albero.
16. Accertarsi che la lama non sia a contatto con la base girevole nella posizione più bassa.
17. Tenere saldamente l'utensile per il manico. Tenere presente che la sega si muove leggermente verso l'alto o verso il basso durante l'avvio e l'arresto.
18. Accertarsi che la lama non sia a contatto con il pezzo prima di accendere l'utensile.
19. Prima di utilizzare l'utensile su un pezzo, lasciarlo funzionare per qualche momento. Accertarsi che non siano presenti vibrazioni oppure oscillazioni che potrebbero indicare un'installazione inadeguata o un bilanciamento imperfetto della lama.
20. Interrompere immediatamente l'uso qualora si noti qualcosa di anomalo.
21. Non tentare di bloccare l'interruttore a grilletto nella posizione di accensione.
22. Utilizzare sempre gli accessori consigliati nel presente manuale. L'uso di accessori inadeguati, ad esempio ruote abrasive, potrebbe causare lesioni personali.
23. Alcuni materiali contengono sostanze chimiche che potrebbero essere tossiche. Adottare delle precauzioni per evitare l'inalazione delle polveri e il contatto con la pelle. Attenersi ai dati sulla sicurezza del fornitore del materiale.

Regole di sicurezza aggiuntive per il laser

1. **RADIAZIONE LASER, NON FISSARE LO SGUARDO SUL RAGGIO NÉ GUARDARLO DIRETTAMENTE CON STRUMENTI OTTICI; PRODOTTO LASER DI CLASSE 2M.**

CONSERVARE LE PRESENTI ISTRUZIONI.

⚠AVVERTIMENTO: NON lasciare che comodità o la familiarità d'utilizzo con il prodotto (acquisita con l'uso ripetuto) sostituisca la stretta osservanza delle norme di sicurezza per il prodotto in questione. L'USO IMPROPRIO o la mancata osservanza delle norme di sicurezza indicate nel presente manuale di istruzioni potrebbero causare gravi lesioni personali.

DESCRIZIONE DELLE PARTI

► Fig.2

| | | | | | | | |
|----|--|----|--|----|--|----|---|
| 1 | Polo di scorrimento | 2 | Perno di fermo (per lo scorrimento del carrello) | 3 | Morsa verticale | 4 | Pulsante di sblocco (per l'angolo di taglio a unghia dal lato destro) |
| 5 | Supporto | 6 | Base girevole | 7 | Indice (per l'angolo di taglio obliquo) | 8 | Scala dell'angolo di taglio obliquo |
| 9 | Piano di taglio | 10 | Cassa lama | 11 | Vite di regolazione (per il segnataglio laser) | 12 | Vite di regolazione della distanza (per il segnataglio laser) |
| 13 | Protezione lama | 14 | Manopola (per l'angolo di taglio a unghia) | 15 | Chiave esagonale | 16 | Vite di regolazione (per la posizione limite inferiore) |
| 17 | Bullone di regolazione (per la capacità massima di taglio) | 18 | Braccio di fermo | 19 | Leva di blocco (per la base girevole) | 20 | Leva di sblocco (per la base girevole) |
| 21 | Impugnatura (per la base girevole) | - | - | - | - | - | - |

► Fig.3

| | | | | | | | |
|----|---|----|--|----|---|----|--|
| 1 | Interruttore a grilletto | 2 | Pulsante di sblocco | 3 | Foro per lucchetto | 4 | Interruttore (per il segnataglio laser) |
| 5 | Tubo flessibile (per l'estrazione delle polveri) | 6 | Perno di fermo (per l'altezza del carrello) | 7 | Guida pezzo (guida inferiore) | 8 | Guida pezzo (guida superiore) |
| 9 | Sacchetto segatura | 10 | Bullone di regolazione di 0° (per l'angolo di taglio a unghia) | 11 | Scala dell'angolo di taglio a unghia | 12 | Leva di sblocco (per l'angolo di taglio a unghia di 48°) |
| 13 | Leva del meccanismo di blocco (per l'angolo di taglio a unghia) | 14 | Indice (per l'angolo di taglio a unghia) | 15 | Bullone di regolazione di 45° (per l'angolo di taglio a unghia) | - | - |

INSTALLAZIONE

Installazione dell'impugnatura

Avvitare l'albero filettato dell'impugnatura nella base girevole.

► Fig.4: 1. Impugnatura 2. Base girevole

Installazione del tubo flessibile di estrazione polveri

Collegare il tubo flessibile di estrazione polveri all'utensile come indicato nella figura.

Accertarsi che il gomito e il manicotto entrino correttamente nelle aperture dell'utensile.

► Fig.5: 1. Tubo flessibile di estrazione polveri
2. Gomito 3. Manicotto 4. Apertura

Montaggio su banco

Quando l'utensile viene consegnato, il manico è bloccato nella posizione abbassata mediante il perno di fermo. Mentre si abbassa leggermente il manico, tirare il perno di fermo e ruotarlo di 90°.

► Fig.6: 1. Posizione bloccata 2. Posizione sbloccata
3. Perno di fermo

Questo utensile va imbullonato con quattro bulloni su una superficie piana e stabile utilizzando i fori per i bulloni forniti nella base dell'utensile. Ciò contribuisce a evitare il rovesciamento dell'utensile e le eventuali lesioni personali conseguenti.

► Fig.7: 1. Bullone

⚠AVVERTIMENTO: Accertarsi che l'utensile non si sposti sulla superficie di supporto. Il movimento della troncatrice sul piano di appoggio durante il taglio potrebbe causare la perdita del controllo della medesima e provocare gravi lesioni personali.

DESCRIZIONE DELLE FUNZIONI

⚠AVVERTIMENTO: Accertarsi sempre che l'utensile sia spento e scollegato dall'alimentazione elettrica prima di regolare o controllare le funzioni sull'utensile. Qualora non si spenga l'utensile e non lo si scollegi dall'alimentazione elettrica, si potrebbero verificare gravi lesioni personali causate dal suo avvio accidentale.

Protezione lama

► **Fig.8:** 1. Protezione lama

Quando si abbassa il manico, la protezione lama si solleva automaticamente. La protezione è caricata da una molla, per cui torna sulla sua posizione originale quando si solleva il manico al completamento del taglio.

⚠AVVERTIMENTO: Non rendere mai inoperante né rimuovere la protezione lama o la molla agganciata alla protezione. Una lama esposta a causa di una protezione resa inoperante potrebbe risultare in gravi lesioni personali durante il funzionamento.

Nell'interesse della sicurezza personale dell'operatore, mantenere sempre la protezione lama in buone condizioni. Qualsiasi funzionamento irregolare della protezione lama va corretto immediatamente. Accertarsi che l'azione della carica della molla faccia tornare la protezione in posizione.

⚠AVVERTIMENTO: Non utilizzare mai l'utensile con la protezione lama o la molla danneggiate, difettose o rimosse. L'uso dell'utensile con una protezione danneggiata, difettosa o rimossa potrebbe risultare in gravi lesioni personali.

Qualora la protezione trasparente della lama si sporchi, oppure qualora la segatura si depositi sulla protezione in modo tale da non rendere più visibili la lama e/o il pezzo in lavorazione, scollegare la sega dall'alimentazione elettrica e pulire con cura la protezione con un panno umido. Non utilizzare sulla protezione in plastica solventi o prodotti di pulizia a base di petrolio, poiché potrebbero danneggiarla.

Qualora la protezione lama sia particolarmente sporca e la visione attraverso la protezione sia compromessa, scollegare l'utensile dall'alimentazione elettrica e utilizzare la chiave in dotazione per allentare il bullone a esagono incassato che mantiene il coperchio centrale. Allentare il bullone a esagono incassato ruotandolo in senso antiorario e sollevare la protezione lama e il coperchio centrale. Con la protezione lama posizionata in questo modo, è possibile effettuare in modo più completo ed efficiente la pulizia. Al termine della pulizia, eseguire al contrario la procedura indicata sopra e fissare il bullone. Non rimuovere la molla che fissa la protezione lama. Qualora la protezione venga scolorita a causa dell'invecchiamento o dell'esposizione alla luce ultravioletta, contattare un centro di assistenza Makita per ottenere una nuova protezione. **NON RENDERE INOPERANTE NÉ RIMUOVERE LA PROTEZIONE.**

► **Fig.9:** 1. Coperchio centrale 2. Chiave esagonale 3. Protezione lama

Piani di taglio

Questo utensile è dotato di piani di taglio nella base girevole, per minimizzare la frammentazione sul lato d'uscita del taglio. I piani di taglio sono stati regolati in fabbrica in modo che la lama non sia in contatto con essi. Prima di procedere, regolare i piani di taglio come segue:

► **Fig.10:** 1. Piano di taglio

► **Fig.11:** 1. Taglio a unghia sinistro 2. Taglio diritto 3. Taglio a unghia destro 4. Lama 5. Denti lama 6. Piano di taglio

Innanzitutto, scollegare l'utensile dall'alimentazione elettrica. Allentare tutte le viti (2 su ciascun lato, a sinistra e a destra) che fissano i piani di taglio, fino a poter ancora spostare a mano facilmente questi ultimi. Abbassare completamente il manico, quindi premere e ruotare il perno di fermo per bloccare il manico nella posizione abbassata. Rilasciare il perno di fermo sul polo di scorrimento e tirare completamente il carrello verso di sé. Regolare i piani di taglio in modo che sfiorino appena i fianchi dei denti della lama. Serrare le viti anteriori (non serrarle saldamente). Spingere completamente il carrello verso la guida pezzo e regolare i piani di taglio in modo che questi ultimi sfiorino appena i fianchi dei denti della lama. Serrare le viti posteriori (non serrarle saldamente).

Dopo aver regolato i piani di taglio, rilasciare il perno di fermo e sollevare il manico. Quindi, serrare saldamente tutte le viti.

AVVISO: Dopo aver regolato l'angolo di taglio a unghia, verificare che i piani di taglio siano regolati correttamente. La corretta regolazione dei piani di taglio contribuisce a fornire un sostegno appropriato del pezzo in lavorazione e a ridurne al minimo la sua frammentazione.

Mantenimento della capacità massima di taglio

Questo utensile è stato regolato in fabbrica in modo da fornire la capacità massima di taglio con le lame da 255 mm o 260 mm.

Quando si intende installare una nuova lama, controllare sempre la posizione del limite inferiore della lama e, se necessario, regolarla nel modo seguente:

Innanzitutto, scollegare l'utensile dall'alimentazione elettrica. Ruotare la leva del fermo nella posizione innestata.

► **Fig.12:** 1. Leva del fermo

Spingere completamente il carrello verso la guida pezzo e abbassare completamente il manico. Regolare la posizione della lama ruotando il bullone di regolazione con la chiave esagonale. L'area periferica della lama dovrebbe allungarsi leggermente al di sotto della superficie superiore della base girevole e arrivare, inoltre, al punto in cui il lato anteriore della guida pezzo si interseca con la superficie superiore della base girevole.

► **Fig.13:** 1. Bullone di regolazione

► **Fig.14:** 1. Superficie superiore della base girevole 2. Bordo della lama 3. Guida pezzo

Con l'utensile scollegato dall'alimentazione elettrica, ruotare la lama a mano tenendo il manico completamente abbassato per assicurarsi che la lama non sia in contatto con alcuna parte della base inferiore. Se necessario, effettuare di nuovo una leggera regolazione.

Dopo la regolazione, riportare sempre la leva del fermo nella posizione originale.

⚠AVVERTIMENTO: Dopo aver installato una nuova lama e con l'utensile scollegato dall'alimentazione elettrica, accertarsi sempre che la lama non sia in contatto con alcuna parte della base inferiore quando il manico viene abbassato completamente. Qualora una lama dovesse entrare in contatto con la base, potrebbe causare un contraccolpo e risultare in gravi lesioni personali.

Braccio di fermo

La posizione del limite inferiore della lama può essere regolata facilmente con il braccio di fermo. Per regolarla, ruotare il braccio di fermo nella direzione della freccia, come mostrato nella figura. Ruotare la vite di regolazione in modo che la lama si arresti nella posizione desiderata quando si abbassa completamente il manico.

► **Fig.15:** 1. Braccio di fermo 2. Vite di regolazione

Regolazione dell'angolo di taglio obliquo

⚠ATTENZIONE: Dopo aver modificato l'angolo di taglio obliquo, fissare sempre la base girevole serrando saldamente l'impugnatura.

AVVISO: Quando si intende ruotare la base girevole, accertarsi di sollevare completamente il manico.

► **Fig.16:** 1. Leva di blocco 2. Impugnatura 3. Leva di sblocco 4. Indice

Ruotare l'impugnatura in senso antiorario per sbloccare la base girevole. Per spostare la base girevole, ruotare l'impugnatura mentre si tiene abbassata la leva di blocco. Allineare l'indice con l'angolo desiderato sulla scala, quindi serrare l'impugnatura.

NOTA: Se si preme la leva di sblocco, è possibile spostare la base girevole senza tenere abbassata la leva di blocco. Serrare l'impugnatura nella posizione desiderata.

Questa troncatrice utilizza una funzione di arresto meccanico. È possibile impostare rapidamente angoli di taglio obliquo a destra o a sinistra di 0°, 15°, 22,5°, 31,6°, 45° e 60°. Per utilizzare questa funzione, avvicinare la base girevole all'angolo desiderato di arresto meccanico, mentre si tiene premuta la leva di blocco. Quindi, sbloccare la leva di blocco e spostare la base girevole in avanti fino a quando quest'ultima viene bloccata.

Regolazione dell'angolo di taglio a unghia

AVVISO: Rimuovere sempre le guide pezzo superiori e la morsa verticale prima di regolare l'angolo di taglio a unghia.

AVVISO: Quando si intende modificare gli angoli di taglio a unghia, accertarsi di posizionare in modo appropriato i piani di taglio come illustrato nella sezione "Piani di taglio".

AVVISO: Quando si intende inclinare la lama, accertarsi di sollevare completamente il manico.

1. Ruotare la manopola sul polo di scorrimento in senso antiorario.

► **Fig.17:** 1. Manopola

2. Tirare e ruotare la leva del meccanismo di blocco nella posizione indicata nella figura.

► **Fig.18:** 1. Leva del meccanismo di blocco

3. Allineare l'indice con l'angolo desiderato sulla scala spostando il carrello, quindi serrare la manopola.

► **Fig.19:** 1. Scala dell'angolo di taglio a unghia

2. Indice

Per inclinare il carrello verso destra, inclinarlo leggermente a sinistra e poi inclinarlo verso destra mentre si tiene premuto il pulsante di sblocco.

► **Fig.20:** 1. Pulsante di sblocco

Se si esegue un taglio a unghia superiore a 45°, spostare il carrello mentre si fa scorrere la leva di sblocco verso la parte anteriore dell'utensile. È possibile effettuare tagli a unghia con un'angolazione fino a 48°.

► **Fig.21:** 1. Leva di sblocco

Questa troncatrice utilizza una funzione di arresto meccanico. È possibile impostare rapidamente un angolo di 22,5° e 33,9° sia a destra che a sinistra. Impostare la leva del meccanismo di blocco nella posizione illustrata nella figura e inclinare il carrello. Per cambiare l'angolo, tirare la leva del meccanismo di blocco e inclinare il carrello.

► **Fig.22:** 1. Leva del meccanismo di blocco

⚠ATTENZIONE: Dopo aver cambiato l'angolo di taglio a unghia, fissare sempre la manopola.

Blocco dello scorrimento

Per bloccare il movimento di scorrimento del carrello, spingere il carrello verso la guida pezzo fino a quando si arresta. Tirare il perno di fermo e ruotarlo di 90°.

► **Fig.23:** 1. Posizione sbloccata 2. Posizione bloccata 3. Perno di fermo

Utilizzo dell'interruttore

⚠AVVERTIMENTO: Prima di collegare l'utensile all'alimentazione elettrica, accertarsi sempre che l'interruttore a grilletto funzioni correttamente e che torni sulla posizione di spegnimento quando viene rilasciato. Non premere con forza l'interruttore a grilletto senza aver fatto rientrare il pulsante di sblocco premendolo. In caso contrario, si potrebbe causare la rottura dell'interruttore. L'uso dell'utensile con un interruttore che non funzioni correttamente potrebbe causare la perdita di controllo e gravi lesioni personali.

⚠AVVERTIMENTO: Non utilizzare MAI l'utensile quando l'interruttore a grilletto non è perfettamente funzionante. Qualsiasi utensile con un interruttore non funzionante è ESTREMAMENTE PERICOLOSO e deve essere riparato prima di un ulteriore utilizzo; in caso contrario, si potrebbero verificare gravi lesioni personali.

⚠AVVERTIMENTO: Non rendere MAI inefficace il pulsante di sblocco tenendolo premuto con nastro adesivo o in altri modi. Un interruttore con un pulsante di sblocco che sia stato reso inefficace potrebbe risultare in un funzionamento accidentale e in gravi lesioni personali.

⚠AVVERTIMENTO: Non utilizzare MAI l'utensile qualora si avvii semplicemente premendo l'interruttore a grilletto senza tenere premuto il pulsante di sblocco. Un interruttore che necessiti di riparazione potrebbe risultare in un funzionamento accidentale e in gravi lesioni personali. Riportare l'utensile a un centro di assistenza Makita per le riparazioni necessarie PRIMA di un ulteriore utilizzo.

► **Fig.24:** 1. Interruttore a grilletto 2. Pulsante di sblocco 3. Foro per lucchetto

L'utensile è dotato di un pulsante di sblocco, per evitare che l'interruttore a grilletto venga premuto accidentalmente. Per avviare l'utensile, far rientrare il pulsante di sblocco premendolo e premere l'interruttore a grilletto. Per arrestare l'utensile, rilasciare l'interruttore a grilletto. Nell'interruttore a grilletto è presente un foro per l'inserimento di un lucchetto, in modo da bloccare lo strumento in condizione di spegnimento.

⚠AVVERTIMENTO: Non utilizzare un lucchetto con diametro del gambo o del cavo inferiore a 6,35 mm (1/4"). Un gambo o un cavo più piccolo potrebbe non bloccare correttamente l'utensile nella posizione di spento, e potrebbe verificarsi un funzionamento accidentale che potrebbe risultare in gravi lesioni personali.

Funzione elettronica

Controllo della velocità costante

L'utensile è dotato di un controllo elettronico della velocità che contribuisce a mantenere una velocità costante di rotazione della lama anche sotto carico. Una velocità costante di rotazione della lama risulta in un taglio estremamente uniforme.

Funzione di avvio "morbido"

Questa funzione consente di avviare con delicatezza l'utensile limitando la coppia di avviamento.

Funzione del raggio laser

Solo per il modello LS1019L

⚠ATTENZIONE: Non guardare mai direttamente il raggio laser. Il raggio laser diretto può danneggiare gli occhi.

Per accendere il raggio laser, premere la posizione superiore (I) dell'interruttore. Per spegnere il raggio laser, premere la posizione inferiore (0) dell'interruttore.

► **Fig.25:** 1. Interruttore per il laser

È possibile spostare il segnataglio laser sul lato sinistro o destro della lama ruotando la vite di regolazione nel modo seguente.

► **Fig.26:** 1. Vite di regolazione

1. Allentare la vite di regolazione ruotandola in senso antiorario.
2. Con la vite di regolazione allentata, far scorrere quest'ultima verso destra o verso sinistra fino a fine corsa.
3. Serrare saldamente la vite di regolazione nella posizione in cui smette di scorrere.

NOTA: Il segnataglio laser è regolato in fabbrica in modo da essere posizionato entro 1 mm dalla superficie laterale della lama (posizione di taglio).

NOTA: Quando il segnataglio laser appare fioco ed è difficile vederlo a causa della luce solare diretta, spostare l'area di lavoro in un'ubicazione in cui sia presente meno luce solare diretta.

Allineamento del segnataglio laser

Allineare la linea di taglio sul pezzo in lavorazione con il segnataglio laser.

► **Fig.27**

- A) Quando si desidera ottenere le dimensioni corrette sul lato sinistro del pezzo in lavorazione, spostare il segnataglio laser sul lato sinistro della lama.
- B) Quando si desidera ottenere le dimensioni corrette sul lato destro del pezzo in lavorazione, spostare il segnataglio laser sul lato destro della lama.

NOTA: Utilizzare uno spessore di legno appoggiato contro la guida pezzo quando si intende allineare la linea di taglio con il segnataglio laser di fianco alla guida pezzo nel taglio composito (angolo di taglio a unghia di 45° e angolo di taglio obliquo a destra di 45°).

MONTAGGIO

⚠AVVERTIMENTO: Accertarsi sempre che l'utensile sia spento e scollegato dall'alimentazione elettrica prima di effettuare interventi sull'utensile. Qualora non si spenga l'utensile e non lo si scollegi dall'alimentazione elettrica, si potrebbero verificare gravi lesioni personali.

Conservazione della chiave esagonale

Quando non si utilizza la chiave esagonale, riportala come mostrato nella figura per evitare di perderla.

► **Fig.28:** 1. Chiave esagonale

Rimozione e installazione della lama

⚠AVVERTIMENTO: Accertarsi sempre che l'utensile sia spento e scollegato dall'alimentazione elettrica prima di installare o rimuovere la lama. L'avvio accidentale dell'utensile potrebbe risultare in gravi lesioni personali.

⚠AVVERTIMENTO: Per installare o rimuovere la lama, utilizzare solo la chiave Makita in dotazione. Il mancato utilizzo della chiave potrebbe causare il serraggio eccessivo o insufficiente del bullone a esagono incassato e gravi lesioni personali.

Bloccare sempre il carrello nella posizione sollevata quando si intende rimuovere e installare la lama. Tirare il perno di fermo e ruotarlo di 90° con il carrello sollevato.

► **Fig.29:** 1. Posizione sbloccata 2. Posizione bloccata 3. Perno di fermo

Rimozione della lama

Allentare il bullone a esagono incassato che fissa il coperchio centrale utilizzando la chiave esagonale. Sollevare la protezione lama e il coperchio centrale.

► **Fig.30:** 1. Coperchio centrale 2. Chiave esagonale 3. Protezione lama

Premere il blocco albero per bloccare il mandrino e utilizzare la chiave esagonale per allentare il bullone a esagono incassato. Quindi, rimuovere il bullone a esagono incassato, la flangia esterna e la lama.

► **Fig.31:** 1. Blocco albero 2. Chiave esagonale 3. Bullone a esagono incassato (sinistrorso) 4. Allentare 5. Serrare

Installazione della lama

Montare con cura la lama sul mandrino, accertandosi che la direzione della freccia sulla superficie della lama coincida con la direzione della freccia sulla cassa lama.

► **Fig.32:** 1. Freccia sulla cassa lama 2. Freccia sulla lama

Installare la flangia esterna e il bullone a esagono incassato. Serrare il bullone a esagono incassato in senso antiorario utilizzando la chiave esagonale, mentre si tiene premuto il blocco albero.

► **Fig.33:** 1. Bullone a esagono incassato 2. Flangia esterna 3. Lama 4. Flangia interna 5. Mandrino 6. Anello

AVVISO: Se la flangia interna è stata rimossa, accertarsi di installarla sul mandrino con la sua sporgenza rivolta in direzione opposta alla lama. Se la flangia viene installata in modo errato, verrà sfregata contro la macchina.

Riportare la protezione lama e il coperchio centrale sulla loro posizione originale. Quindi, serrare il bullone a esagono incassato in senso orario per fissare il coperchio centrale. Sbloccare il perno di fermo per sbloccare il carrello dalla posizione sollevata. Abbassare il manico per accertarsi che la protezione lama si muova correttamente. Accertarsi che il blocco albero abbia sbloccato il mandrino, prima di eseguire il taglio.

⚠AVVERTIMENTO: Prima di montare la lama sul mandrino, accertarsi sempre che l'anello corretto per il foro per l'albero della lama che si intende utilizzare sia installato tra la flangia interna e quella esterna. L'utilizzo dell'anello errato per il foro per l'albero potrebbe risultare nel montaggio errato della lama, causando lo spostamento di quest'ultima e notevoli vibrazioni che potrebbero risultare nella perdita di controllo durante l'uso e in gravi lesioni personali.

Collegamento di un aspiratore

Quando si desidera effettuare un'operazione di taglio pulita, collegare un aspirapolvere Makita al bocchettone segatura utilizzando un manicotto anteriore 24 (accessorio opzionale).

► **Fig.34:** 1. Manicotto anteriore 24 2. Tubo flessibile 3. Aspirapolvere

Sacchetto segatura

L'utilizzo del sacchetto segatura consente operazioni di taglio pulite e facilita la raccolta della segatura. Per applicare il sacchetto segatura, rimuovere il tubo flessibile di estrazione polveri sull'utensile e collegare il sacchetto segatura.

► **Fig.35:** 1. Tubo flessibile di estrazione polveri 2. Sacchetto segatura

Quando il sacchetto segatura è quasi pieno a metà, rimuoverlo dall'utensile ed estrarre la chiusura. Svuotare il sacchetto segatura dandogli dei leggeri colpetti, in modo da rimuovere le particelle attaccate all'interno che potrebbero ostacolare l'ulteriore raccolta della segatura.

► **Fig.36:** 1. Chiusura

Fissaggio del pezzo

⚠AVVERTIMENTO: È estremamente importante fissare sempre correttamente il pezzo in lavorazione utilizzando il tipo adatto di morsa o di fermi per modanatura a corona. La mancata osservanza di questa indicazione potrebbe risultare in gravi lesioni personali e causare il danneggiamento dell'utensile e/o del pezzo.

⚠AVVERTIMENTO: Dopo un'operazione di taglio, non sollevare la lama fino al suo arresto completo. Il sollevamento di una lama che sia in moto inerziale potrebbe risultare in gravi lesioni personali e nel danneggiamento del pezzo.

⚠AVVERTIMENTO: Quando si intende tagliare un pezzo in lavorazione più lungo della base di supporto della sega, il materiale va supportato per l'intera lunghezza che sporge dalla base di supporto e alla stessa altezza, in modo da mantenere il materiale in piano. Un sostegno corretto del pezzo in lavorazione contribuisce a evitare inceppamenti della lama e potenziali contraccolpi, che potrebbero risultare in gravi lesioni personali. Per fissare il pezzo, non fare affidamento solo sulla morsa verticale e/o orizzontale. I materiali sottili tendono a incurvarsi. Sostenere il pezzo per la sua intera lunghezza, al fine di evitare inceppamenti della lama e potenziali CONTRACCOLPI.

► Fig.37: 1. Sostegno 2. Base girevole

Guide pezzo

⚠AVVERTIMENTO: Prima di utilizzare l'utensile, accertarsi che la guida superiore sia fissata saldamente.

⚠AVVERTIMENTO: Prima di effettuare un taglio a unghia, accertarsi che nessuna parte dell'utensile, specialmente la lama, sia in contatto con la guida superiore e quella inferiore quando si intende abbassare e sollevare completamente il manico in qualsiasi posizione, nonché durante lo spostamento del carrello per l'intera lunghezza della sua corsa. Qualora l'utensile o la lama entrino in contatto con la guida, si potrebbero causare un contraccolpo o un movimento imprevisto del materiale e gravi lesioni personali.

Utilizzare le guide superiori per sostenere materiali più alti delle guide inferiori. Inserire la guida superiore nel foro presente sulla guida inferiore e serrare la vite di fissaggio.

► Fig.38: 1. Guida superiore 2. Guida inferiore 3. Vite di fissaggio 4. Vite di regolazione

AVVISO: Le guide inferiori sono fissate alla base in fabbrica. Non rimuovere le guide inferiori.

AVVISO: Qualora la guida superiore sia ancora allentata dopo il serraggio della vite di fissaggio, ruotare la vite di regolazione per colmare lo spazio vuoto. La vite di regolazione è regolata in fabbrica. Non va utilizzata, se non necessario.

È possibile conservare le guide superiori sul supporto quando non sono in uso. Utilizzare la staffa di bloccaggio sulla guida superiore per fissare quest'ultima sul supporto.

► Fig.39: 1. Supporto 2. Guida superiore 3. Staffa di bloccaggio

Morsa verticale

⚠AVVERTIMENTO: Il pezzo deve essere fissato saldamente contro la base girevole e la guida pezzo con la morsa durante tutte le operazioni. Qualora il pezzo in lavorazione non sia fissato saldamente contro la guida, il materiale potrebbe spostarsi durante l'operazione di taglio, con la possibilità di causare danni alla lama, scagliare il materiale e provocare una perdita di controllo, risultando in gravi lesioni personali.

► Fig.40: 1. Braccio morsa 2. Asta morsa 3. Vite di fissaggio 4. Manopola morsa

La morsa verticale può venire installata in due posizioni, sul lato sinistro o sul lato destro della base. Inserire l'asta morsa nel foro presente nella base.

Posizionare il braccio morsa in base allo spessore e alla forma del pezzo in lavorazione, e fissare il braccio morsa serrando la vite. Qualora la vite di fissaggio entri in contatto con il carrello, installarla sul lato opposto del braccio morsa. Accertarsi che nessuna parte dell'utensile entri in contatto con la morsa, quando si intende abbassare completamente il manico. Qualora una qualsiasi parte sia in contatto con la morsa, riposizionare quest'ultima.

Premere il pezzo appoggiato di piatto contro la guida pezzo e la base girevole. Posizionare il pezzo sulla posizione di taglio desiderata e fissarlo saldamente serrando la manopola morsa.

NOTA: Per una rapida impostazione del pezzo in lavorazione, la rotazione della manopola morsa a 90° in senso antiorario consente di spostare verso l'alto e verso il basso la manopola morsa. Per fissare il pezzo in lavorazione dopo impostazione, ruotare la manopola morsa in senso orario.

Morsa orizzontale

Accessorio opzionale

⚠AVVERTIMENTO: Ruotare sempre il dado morsa in senso orario fino a quando il pezzo in lavorazione è fissato saldamente. Qualora il pezzo in lavorazione non sia fissato saldamente, il materiale potrebbe spostarsi durante l'operazione di taglio, con la possibilità di causare danni alla lama, scagliare il materiale e provocare una perdita di controllo, risultando in gravi lesioni personali.

⚠AVVERTIMENTO: Quando si intende tagliare pezzi in lavorazione sottili, ad esempio battiscopa, contro la guida, utilizzare sempre la morsa orizzontale.

La morsa orizzontale può venire installata in due posizioni, sul lato sinistro o sul lato destro della base. Quando si intende eseguire tagli obliqui a 22,5° o a inclinazione superiore, installare la morsa orizzontale sul lato opposto alla direzione in cui deve ruotare la base girevole.

► Fig.41: 1. Piastra morsa 2. Dado morsa 3. Manopola morsa

Ribaltando il dado morsa in senso antiorario, la morsa viene rilasciata e si sposta rapidamente verso l'interno o l'esterno. Per fermare il pezzo in lavorazione, spingere la manopola morsa in avanti fino a quando la piastra morsa entra in contatto con il pezzo in lavorazione, quindi ribaltare il dado morsa in senso orario. Quindi, ruotare la manopola morsa in senso orario per fissare il pezzo in lavorazione.

NOTA: La larghezza massima del pezzo in lavorazione che può essere fissato mediante la morsa orizzontale è pari a 228 mm.

Supporti

AVVERTIMENTO: Sostenere sempre i pezzi lunghi in modo che siano paralleli alla superficie superiore della base girevole, per effettuare tagli di precisione ed evitare pericolose perdite di controllo dell'utensile. Un sostegno corretto del pezzo in lavorazione contribuisce a evitare inceppamenti della lama e potenziali contraccolpi, che potrebbero risultare in gravi lesioni personali.

Per mantenere orizzontalmente i pezzi in lavorazione lunghi, vengono forniti dei supporti su entrambi i lati dell'utensile. Allentare le viti ed estendere i supporti sulla lunghezza appropriata per mantenere il pezzo in lavorazione. Quindi, serrare saldamente le viti.

► Fig.42: 1. Supporto 2. Vite

FUNZIONAMENTO

AVVERTIMENTO: Prima di attivare l'interruttore, accertarsi che la lama non sia in contatto con il pezzo, e così via. L'accensione dell'utensile con la lama in contatto con il pezzo potrebbe risultare in un contraccolpo e in gravi lesioni personali.

AVVERTIMENTO: Dopo un'operazione di taglio, non sollevare la lama fino al suo arresto completo. Il sollevamento di una lama che sia in moto inerziale potrebbe risultare in gravi lesioni personali e nel danneggiamento del pezzo.

AVVERTIMENTO: Mentre la lama è in rotazione, non effettuare alcuna regolazione quali la rotazione dell'impugnatura, della manopola e delle leve sull'utensile. La regolazione mentre la lama è in rotazione potrebbe risultare in gravi lesioni personali.

AVVISO: Prima dell'uso, accertarsi di sbloccare il perno di fermo e di sbloccare il manico dalla posizione abbassata.

AVVISO: Non esercitare una pressione eccessiva sul manico durante il taglio. Una forza eccessiva può risultare nel sovraccarico del motore e/o in una diminuzione dell'efficienza di taglio. Premere verso il basso il manico solo con la forza necessaria a un taglio uniforme e senza una notevole riduzione della velocità della lama.

AVVISO: Premere delicatamente verso il basso il manico per eseguire il taglio. Qualora si preme con forza verso il basso il manico o si applichi una pressione laterale, la lama potrebbe vibrare lasciando un segno sul pezzo (segno della lama), e la precisione del taglio potrebbe venire compromessa.

AVVISO: Durante un taglio a scorrimento, spingere delicatamente il carrello verso la guida pezzo senza fermarsi. Qualora il movimento del carrello venga arrestato durante il taglio, sul pezzo in lavorazione viene lasciato un segno e la precisione del taglio viene compromessa.

Taglio con pressione

AVVERTIMENTO: Bloccare sempre il movimento di scorrimento del carrello, quando si intende eseguire un taglio con pressione. Un taglio senza blocco potrebbe causare un potenziale contraccolpo, che potrebbe risultare in gravi lesioni personali.

È possibile tagliare pezzi fino a 68 mm di altezza e 160 mm di larghezza nel modo seguente.

► Fig.43: 1. Perno di fermo

1. Spingere il carrello verso la guida pezzo fino al suo arresto e bloccarlo con il perno di fermo.
2. Fissare il pezzo utilizzando una morsa di tipo appropriato.
3. Accendere l'utensile senza mettere in contatto la lama con il pezzo, quindi attendere che la lama raggiunga la velocità massima, prima di abbassarla.
4. Abbassare delicatamente il manico sulla posizione completamente abbassata per tagliare il pezzo.
5. Al completamento del taglio, spegnere l'utensile e attendere che la lama si arresti completamente prima di riportarla alla posizione di elevazione massima.

Taglio a scorrimento (spinta) (taglio di pezzi larghi)

AVVERTIMENTO: Durante il taglio con scorrimento, innanzitutto tirare completamente verso di sé il carrello e premere completamente verso il basso il manico, quindi spingere il carrello verso la guida pezzo. Non iniziare mai a tagliare se il carrello non è completamente tirato verso di sé. Se si effettua il taglio con scorrimento senza aver tirato completamente verso di sé il carrello, potrebbe verificarsi un contraccolpo imprevisto, e potrebbero risultare gravi lesioni personali.

AVVERTIMENTO: Non tentare mai di effettuare un taglio con scorrimento tirando il carrello verso di sé. Qualora si tiri il carrello verso di sé durante il taglio, si potrebbe causare un contraccolpo imprevisto che potrebbe risultare in gravi lesioni personali.

AVVERTIMENTO: Non eseguire mai tagli con scorrimento con il manico bloccato in posizione abbassata.

► Fig.44: 1. Perno di fermo

1. Sbloccare il perno di fermo in modo che il carrello possa scorrere liberamente.
2. Fissare il pezzo utilizzando una morsa di tipo appropriato.
3. Tirare completamente il carrello verso di sé.
4. Accendere l'utensile senza mettere in contatto la lama con il pezzo, e attendere che la lama raggiunga la velocità massima.
5. Premere il manico verso il basso e **spingere il carrello verso la guida pezzo e attraverso il pezzo.**
6. Al completamento del taglio, spegnere l'utensile e **attendere che la lama si arresti completamente** prima di riportarla alla posizione di elevazione massima.

Taglio obliquo

Fare riferimento alla sezione "Regolazione dell'angolo di taglio obliquo" riportata in precedenza.

Taglio a unghia

AVVERTIMENTO: Dopo aver regolato la lama per un taglio a unghia, accertarsi che il carrello e la lama abbiano corsa libera per tutta la lunghezza del taglio che si intende effettuare prima di utilizzare l'utensile. L'arresto della corsa del carrello o della lama durante l'operazione di taglio potrebbe risultare in un contraccolpo e in gravi lesioni personali.

AVVERTIMENTO: Quando si effettua un taglio a unghia, tenere le mani lontano dal percorso della lama. L'angolo della lama potrebbe ingannare l'operatore per quanto riguarda l'effettivo percorso della lama durante il taglio, e il contatto con la lama risulterebbe in gravi lesioni personali.

AVVERTIMENTO: La lama non deve essere sollevata fino al suo arresto completo. Durante un taglio a unghia il pezzo di materiale tagliato potrebbe appoggiarsi alla lama. Qualora la lama venga sollevata mentre sta girando, la parte tagliata potrebbe venire espulsa dalla lama causando la frammentazione del materiale, che potrebbe risultare in gravi lesioni personali.

AVVISO: Quando si preme il manico verso il basso, esercitare la pressione parallelamente alla lama. Qualora si eserciti la forza perpendicolarmente alla base girevole, o qualora si cambi la direzione della pressione durante un taglio, la precisione del taglio viene compromessa.

► Fig.45

1. Rimuovere la guida superiore dal lato verso il quale si intende inclinare il carrello.
2. Sbloccare il perno di fermo.
3. Regolare l'angolo di taglio a unghia in base alla procedura illustrata nella sezione "Regolazione dell'angolo di taglio a unghia". Quindi, serrare la manopola.
4. Fissare il pezzo con una morsa.
5. Tirare completamente il carrello verso di sé.
6. Accendere l'utensile senza mettere in contatto la lama con il pezzo, e attendere che la lama raggiunga la velocità massima.
7. Abbassare delicatamente il manico sulla posizione completamente abbassata esercitando una pressione parallelamente alla lama, quindi **spingere il carrello verso la guida pezzo per tagliare il pezzo.**
8. Al completamento del taglio, spegnere l'utensile e **attendere che la lama si arresti completamente** prima di riportarla alla posizione di elevazione massima.

Taglio composito

Il taglio composito è una procedura in cui sul pezzo viene realizzato un taglio a unghia contemporaneamente a un taglio obliquo. Il taglio composito può venire eseguito all'angolazione indicata nella tabella.

| Angolo di taglio obliquo | Angolo di taglio a unghia |
|-----------------------------------|-----------------------------------|
| Da 0° a 45° a sinistra e a destra | Da 0° a 45° a sinistra e a destra |

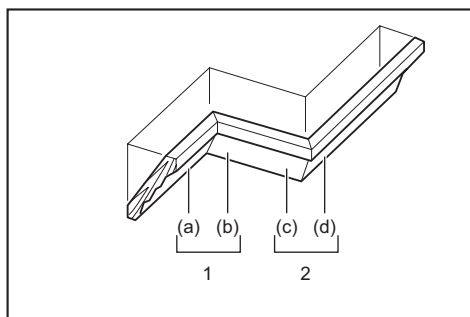
Quando si intende eseguire un taglio composito, fare riferimento alle spiegazioni "Taglio con pressione", "Taglio a scorrimento (spinta)", "Taglio obliquo" e "Taglio a unghia".

Tagli di modanature a corona e concave

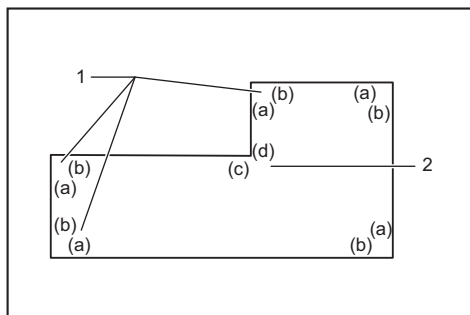
È possibile eseguire tagli con modanatura a corona e concava su una sega composta a slitta, con le modanature disposte orizzontalmente sulla base girevole. Esistono due tipi comuni di modanature a corona e un tipo di modanatura concava: modanatura a corona con angolo della parete a 52/38°, modanatura a corona con angolo della parete a 45° e modanatura concava con angolo della parete a 45°.

- Fig.46: 1. Modanatura a corona a 52/38°
2. Modanatura a corona a 45°
3. Modanatura concava a 45°

Esistono commisure di modanature a corona e concave che sono fatte per adattarsi ad angoli a 90° "interni" ((a) e (b) nella figura) e ad angoli a 90° "esterni" ((c) e (d) nella figura).

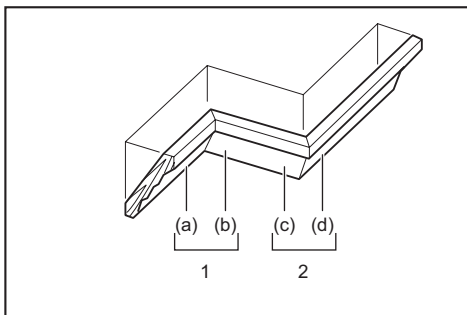


1. Angolo interno 2. Angolo esterno



1. Angolo interno 2. Angolo esterno

Nel caso di taglio a unghia a sinistra



1. Angolo interno 2. Angolo esterno

Tabella (A)

| - | Posizione della modanatura nella figura | Angolo di taglio a unghia | | Angolo di taglio obliquo | |
|----------------------|---|---------------------------|----------------|--------------------------|------------------|
| | | Tipo a 52/38° | Tipo a 45° | Tipo a 52/38° | Tipo a 45° |
| Per l'angolo interno | (a) | 33,9° a sinistra | 30° a sinistra | 31,6° a destra | 35,3° a destra |
| | (b) | | | 31,6° a sinistra | 35,3° a sinistra |
| Per l'angolo esterno | (c) | | | 31,6° a destra | 35,3° a destra |
| | (d) | | | | |

Tabella (B)

| - | Posizione della modanatura nella figura | Bordo della modanatura appoggiato contro la guida pezzo | Pezzo finito |
|----------------------|---|--|--|
| Per l'angolo interno | (a) | Il bordo di contatto con il soffitto deve essere appoggiato contro la guida pezzo. | Il pezzo finito si troverà sul lato sinistro della lama. |
| | (b) | Il bordo di contatto con la parete deve essere appoggiato contro la guida pezzo. | |
| Per l'angolo esterno | (c) | Il bordo di contatto con il soffitto deve essere appoggiato contro la guida pezzo. | Il pezzo finito si troverà sul lato destro della lama. |
| | (d) | Il bordo di contatto con la parete deve essere appoggiato contro la guida pezzo. | |

Esempio:

Nel caso del taglio di una modanatura di tipo a corona a 52/38° per la posizione (a) nella figura sopra:

- Inclinare e fissare l'impostazione dell'angolo di taglio a unghia su 33,9° a SINISTRA.
- Regolare e fissare l'impostazione dell'angolo di taglio obliquo su 31,6° a DESTRA.

Misurazioni

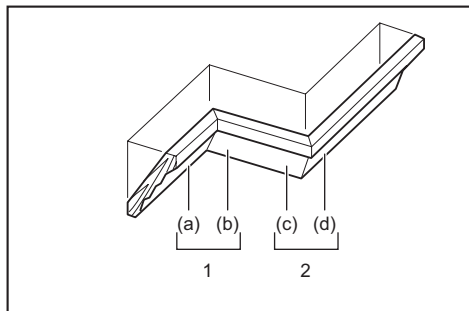
Misurare la larghezza della parete e regolare in base ad essa la larghezza del pezzo. Accertarsi sempre che la larghezza del bordo di contatto del pezzo con la parete sia identica alla lunghezza della parete.

► **Fig.47:** 1. Pezzo 2. Larghezza della parete
3. Larghezza del pezzo 4. Bordo di contatto con la parete

Utilizzare sempre svariati pezzi per tagli di prova, in modo da controllare gli angoli della sega. Quando si eseguono tagli per modanature a corona e concave, impostare l'angolo di taglio a unghia e l'angolo di taglio obliquo come indicato nella tabella (A), quindi posizionare le modanature sulla superficie superiore della base della sega, come indicato nella tabella (B).

- Disporre la modanatura a corona con la sua superficie posteriore ampia (nascosta) appoggiata sulla base girevole con il suo BORDO DI CONTATTO CON IL SOFFITTO appoggiato contro la guida pezzo sulla sega.
- Il pezzo finito da utilizzare si troverà sempre sul lato SINISTRO della lama dopo aver effettuato il taglio.

Nel caso di taglio a unghia a destra



1. Angolo interno 2. Angolo esterno

Tabella (A)

| - | Posizione della modanatura nella figura | Angolo di taglio a unghia | | Angolo di taglio obliquo | |
|----------------------|---|---------------------------|--------------|--------------------------|------------------|
| | | Tipo a 52/38° | Tipo a 45° | Tipo a 52/38° | Tipo a 45° |
| Per l'angolo interno | (a) | 33,9° a destra | 30° a destra | 31,6° a destra | 35,3° a destra |
| | (b) | | | 31,6° a sinistra | 35,3° a sinistra |
| Per l'angolo esterno | (c) | 33,9° a destra | 30° a destra | 31,6° a destra | 35,3° a destra |
| | (d) | | | | |

Tabella (B)

| - | Posizione della modanatura nella figura | Bordo della modanatura appoggiato contro la guida pezzo | Pezzo finito |
|----------------------|---|--|--|
| Per l'angolo interno | (a) | Il bordo di contatto con la parete deve essere appoggiato contro la guida pezzo. | Il pezzo finito si troverà sul lato destro della lama. |
| | (b) | Il bordo di contatto con il soffitto deve essere appoggiato contro la guida pezzo. | |
| Per l'angolo esterno | (c) | Il bordo di contatto con la parete deve essere appoggiato contro la guida pezzo. | Il pezzo finito si troverà sul lato sinistro della lama. |
| | (d) | Il bordo di contatto con la parete deve essere appoggiato contro la guida pezzo. | |

Esempio:

Nel caso del taglio di una modanatura di tipo a corona a 52/38° per la posizione (a) nella figura sopra:

- Inclinare e fissare l'impostazione dell'angolo di taglio a unghia su 33,9° a DESTRA.
- Regolare e fissare l'impostazione dell'angolo di taglio obliquo su 31,6° a DESTRA.
- Disporre la modanatura a corona con la sua superficie posteriore ampia (nascosta) appoggiata sulla base girevole con il suo BORDO DI CONTATTO CON LA PARETE appoggiato contro la guida pezzo sulla sega.
- Il pezzo finito da utilizzare si troverà sempre sul lato DESTRO della lama dopo aver effettuato il taglio.

Fermo per modanatura a corona

Accessorio opzionale

I fermi per modanatura a corona consentono tagli più facili di modanature a corona senza inclinare la lama. Installarli sulla base girevole come indicato nelle figure.

A un angolo di taglio obliquo di 45° a destra

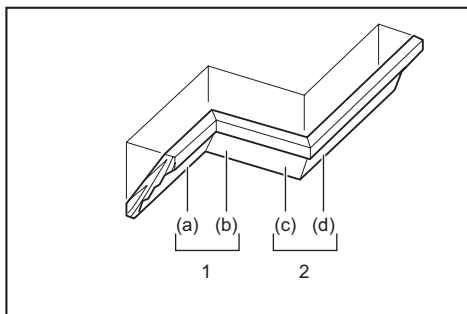
- Fig.48: 1. Fermo per modanatura a corona S
2. Fermo per modanatura a corona D
3. Base girevole 4. Guida pezzo

A un angolo di taglio obliquo di 45° a sinistra

- Fig.49: 1. Fermo per modanatura a corona S
2. Fermo per modanatura a corona D
3. Base girevole 4. Guida pezzo

Posizionare la modanatura a corona con il suo BORDO DI CONTATTO CON LA PARETE appoggiato contro la guida pezzo e il suo BORDO DI CONTATTO CON IL SOFFITTO appoggiato contro i fermi per modanatura a corona, come indicato nella figura. Regolare i fermi per modanatura a corona in base alle dimensioni della modanatura a corona. Serrare le viti per fissare i fermi per modanatura a corona. Fare riferimento alla tabella (C) per l'angolo di taglio obliquo.

- Fig.50: 1. Guida pezzo 2. Fermo per modanatura a corona



1. Angolo interno 2. Angolo esterno

Tabella (C)

| - | Posizione della modanatura nella figura | Angolo di taglio obliquo | Pezzo finito |
|----------------------|---|--------------------------|---------------------------------------|
| Per l'angolo interno | (a) | 45° a destra | Salvare il lato a destra della lama |
| | (b) | 45° a sinistra | Salvare il lato a sinistra della lama |
| Per l'angolo esterno | (c) | | Salvare il lato a destra della lama |
| | (d) | 45° a destra | Salvare il lato a sinistra della lama |

Taglio di estrusioni di alluminio

► **Fig.51:** 1. Morsa 2. Cubetto distanziatore 3. Guida pezzo 4. Estrusione di alluminio 5. Cubetto distanziatore

Quando si intende fissare estrusioni di alluminio, utilizzare dei cubetti distanziatori o degli sfridi come indicato nella figura per evitare la deformazione dell'alluminio. Quando si intende tagliare l'estrusione di alluminio, utilizzare un lubrificante da taglio per evitare l'accumulo di materiale in alluminio sulla lama.

⚠AVVERTIMENTO: Non tentare mai di tagliare estrusioni di alluminio spesse o rotonde. Estrusioni di alluminio spesse o rotonde possono risultare difficili da fissare, e il pezzo in lavorazione potrebbe allentarsi durante l'operazione di taglio, il che potrebbe risultare in una perdita di controllo e in gravi lesioni personali.

Taglio scanalato

⚠AVVERTIMENTO: Non tentare di effettuare questo tipo di taglio utilizzando una lama di tipo più largo o una lama per zoccoli. Il tentativo di effettuare un taglio scanalato con una lama più larga o una lama per zoccoli potrebbe portare a risultati imprevisti e contraccolpi, che potrebbero risultare in gravi lesioni personali.

⚠AVVERTIMENTO: Riportare il braccio di fermo sulla sua posizione originale quando si intende eseguire tagli diversi da quelli scanalati. Il tentativo di tagliare con il braccio di fermo in posizione errata potrebbe portare a risultati di taglio inaspettati e contraccolpi, che potrebbero risultare in gravi lesioni personali.

Per effettuare un taglio di tipo a zoccolo, procedere nel modo seguente:

1. Regolare la posizione del limite inferiore della lama utilizzando la vite di regolazione e il braccio di fermo per limitare la profondità di taglio della lama. Fare riferimento alla sezione "Braccio di fermo" descritta precedentemente.

2. Dopo aver regolato la posizione di limite inferiore della lama, tagliare scanalature parallele lungo la larghezza del pezzo utilizzando un taglio a scorrimento (spinta).

► **Fig.52:** 1. Scanalature tagliate con la lama

3. Rimuovere il materiale del pezzo tra le scanalature con uno scalpello.

Trasporto dell'utensile

Prima di trasportare la troncatrice, accertarsi di averla scollegata dall'alimentazione elettrica e di aver fissato tutte le parti mobili. Controllare sempre quanto segue:

- Che l'utensile sia scollegato dall'alimentazione elettrica.
- Che il carrello sia alla posizione dell'angolo di taglio a unghia di 0° e che sia fissato.
- Che il carrello sia abbassato e bloccato.
- Che il carrello sia stato fatto scorrere fino in fondo verso la guida pezzo e sia stato bloccato.
- Che la base girevole si trovi nella posizione dell'angolo pieno di taglio obliquo a destra e che sia fissata.
- Che i supporti siano stati riposti e fissati.

Trasportare l'utensile mantenendo entrambi i lati della sua base, come indicato nella figura.

► **Fig.53**

⚠AVVERTIMENTO: Il perno di fermo per il sollevamento del carrello serve solo per trasportare o riporre l'utensile, non per operazioni di taglio di alcun genere. L'utilizzo del perno di fermo per operazioni di taglio potrebbe causare un movimento inaspettato della lama che potrebbe risultare in un contraccolpo e in gravi lesioni personali.

⚠ATTENZIONE: Fissare sempre tutte le parti mobili prima di trasportare l'utensile. Qualora delle parti dell'utensile si spostino o scorrono durante il trasporto, si potrebbe verificare una perdita di controllo o dell'equilibrio e, di conseguenza, lesioni personali.

MANUTENZIONE

⚠AVVERTIMENTO: Accertarsi sempre che l'utensile sia spento e scollegato dall'alimentazione elettrica prima di tentare di eseguire interventi di ispezione o manutenzione. Qualora non si spenga l'utensile e non lo si scolleghi dall'alimentazione elettrica, si potrebbe causare l'avvio accidentale dell'utensile, che potrebbe risultare in gravi lesioni personali.

⚠AVVERTIMENTO: Per ottenere le prestazioni migliori e la massima sicurezza, accertarsi sempre che la lama sia affilata e pulita. Il tentativo di tagliare con una lama non affilata e/o sporca potrebbe causare un contraccolpo e risultare in gravi lesioni personali.

AVVISO: Non utilizzare mai benzina, benzene, solventi, alcol o altre sostanze simili. In caso contrario, si potrebbero causare scolorimenti, deformazioni o crepe.

Regolazione dell'angolo di taglio

Il presente utensile è stato regolato e allineato con cura in fabbrica, ma l'incuria nell'utilizzo potrebbe influenzare l'allineamento. Qualora lo strumento non sia allineato correttamente, attenersi alla procedura seguente:

Angolo di taglio obliquo

Abbassare completamente il manico e bloccarlo nella posizione abbassata mediante il perno di fermo. Spingere il carrello verso la guida pezzo. Allentare l'impugnatura e le viti che fissano l'indice e la scala dell'angolo di taglio obliquo.

► **Fig.54:** 1. Vite sull'indice 2. Viti sulla scala dell'angolo di taglio obliquo 3. Scala dell'angolo di taglio obliquo

Impostare la base girevole sulla posizione di 0° utilizzando la funzione di arresto meccanico. Disporre ad angolo retto il lato della lama rispetto al lato della guida pezzo utilizzando un righello triangolare o una squadra battente. Mantenendo l'angolo retto, serrare le viti sulla scala dell'angolo di taglio obliquo. Dopodiché, allineare gli indici (sia destro che sinistro) con la posizione di 0° sulla scala dell'angolo di taglio obliquo, quindi serrare la vite sull'indice.

► **Fig.55:** 1. Righello triangolare

Angolo di taglio a unghia

Angolo di taglio a unghia di 0°

Spingere il carrello verso la guida pezzo e bloccare il movimento di scorrimento con il perno di fermo. Abbassare completamente il manico e bloccarlo nella posizione abbassata mediante il perno di fermo, quindi allentare la manopola. Ruotare di due o tre giri in senso antiorario il bullone di regolazione di 0° per inclinare la lama a destra.

► **Fig.56:** 1. Bullone di regolazione di 0° 2. Vite

Disporre ad angolo retto con cura il lato della lama rispetto alla superficie superiore della base girevole utilizzando un righello triangolare, una squadra battente, e così via, ruotando in senso orario il bullone di regolazione di 0°. Quindi, serrare saldamente la manopola per fissare l'angolo di 0° impostato.

► **Fig.57:** 1. Righello triangolare 2. Lama 3. Superficie superiore della base girevole

Verificare di nuovo se il lato della lama sia ad angolo retto con superficie della base girevole. Allentare la vite sull'indice. Allineare l'indice con la posizione di 0° sulla scala dell'angolo di taglio a unghia, quindi serrare la vite.

Angolo di taglio a unghia di 45°

AVVISO: Prima di regolare l'angolo di taglio a unghia di 45°, terminare la regolazione dell'angolo di taglio a unghia di 0°.

Allentare la manopola e inclinare completamente il carrello verso il lato che si desidera controllare. Verificare se l'indice indichi la posizione di 45° sulla scala dell'angolo di taglio a unghia.

► **Fig.58**

Qualora l'indice non indichi la posizione di 45°, allinearla con la posizione di 45° ruotando il bullone di regolazione sul lato opposto della scala dell'angolo di taglio a unghia.

► **Fig.59:** 1. Bullone di regolazione di 45° a sinistra
2. Bullone di regolazione di 45° a destra

Regolazione della posizione del segnataglio laser

Solo per il modello LS1019L

AVVERTIMENTO: L'utensile deve essere collegato all'alimentazione elettrica durante la regolazione del segnataglio laser. Fare molta attenzione a non accendere l'utensile durante la regolazione. L'avvio accidentale dell'utensile potrebbe risultare in gravi lesioni personali.

ATTENZIONE: Non guardare mai direttamente il raggio laser. L'esposizione diretta degli occhi al raggio potrebbe causare gravi danni agli occhi.

AVVISO: Controllare l'accuratezza della posizione del segnataglio laser a intervalli regolari.

AVVISO: Evitare che urti l'utensile. Questo potrebbe causare il disallineamento del segnataglio laser o potrebbe causare un danneggiamento del laser, riducendo la sua vita utile.

AVVISO: In caso di eventuali guasti dell'unità laser, far riparare l'utensile da un centro di assistenza autorizzato Makita.

La distanza di movimento del segnataglio laser è stabilita dalle viti di regolazione della distanza su entrambi i lati. Per alterare la posizione del segnataglio laser, attenersi alle procedure seguenti.

1. Scollegare l'utensile dall'alimentazione elettrica.
2. Disegnare una linea di taglio sul pezzo in lavorazione e posizionarlo sulla base girevole. In questa fase, non fissare il pezzo in lavorazione con una morsa o un dispositivo di fissaggio simile.
3. Abbassare il manico e allineare la linea di taglio con la lama.
4. Riportare il manico nella posizione originale e fissare il pezzo in lavorazione con la morsa verticale, in modo che il pezzo in lavorazione non si sposti dalla posizione stabilita.
5. Collegare l'utensile all'alimentazione elettrica e attivare l'interruttore del laser.
6. Allentare la vite di regolazione. Per allontanare il segnataglio laser dalla lama, ruotare la vite di regolazione della distanza in senso antiorario. Per avvicinare il segnataglio laser alla lama, ruotare la vite di regolazione della distanza in senso orario.

Regolazione del segnataglio laser sul lato sinistro della lama

► **Fig.60:** 1. Vite di regolazione 2. Vite di regolazione della distanza 3. Chiave esagonale 4. Segnataglio laser 5. Lama

Regolazione del segnataglio laser sul lato destro della lama

- **Fig.61:** 1. Vite di regolazione 2. Vite di regolazione della distanza 3. Chiave esagonale 4. Segnataglio laser 5. Lama

7. Far scorrere la vite di regolazione sulla posizione in cui il segnataglio si sovrappone alla linea di taglio, quindi serrare la vite.

NOTA: La distanza di movimento del segnataglio laser è regolata in fabbrica entro 1 mm (0,04") dalla superficie laterale della lama.

Pulizia della lente del raggio laser

Solo per il modello LS1019L

Il raggio laser diventa scarsamente visibile, man mano che la lente del raggio laser si sporca. Pulire periodicamente la lente del raggio laser.

- **Fig.62:** 1. Vite 2. Lente

Scollegare l'utensile dall'alimentazione elettrica. Allentare la vite ed estrarre la lente. Pulire delicatamente la lente con un panno morbido inumidito.

AVVISO: Non rimuovere la vite che fissa la lente. Qualora non si riesca a estrarre la lente, allentare ulteriormente la vite.

AVVISO: Non utilizzare sulla lente solventi o prodotti di pulizia a base di petrolio.

Sostituzione delle spazzole in carbonio

- **Fig.63:** 1. Segno limite

Rimuovere e controllare a intervalli regolari le spazzole in carbonio. Sostituirle quando si usurano fino ad arrivare al segno limite. Mantenere le spazzole in carbonio pulite e libere di scorrere nei supporti. È necessario sostituire entrambe le spazzole in carbonio contemporaneamente. Utilizzare esclusivamente spazzole in carbonio identiche. Utilizzare un cacciavite per rimuovere i cappucci degli alloggiamenti delle spazzole. Estrarre le spazzole in carbonio usurate, inserire quelle nuove e fissare i cappucci degli alloggiamenti delle spazzole.

- **Fig.64:** 1. Cappuccio dell'alloggiamento della spazzola

Dopo aver sostituito le spazzole, collegare l'utensile all'alimentazione elettrica ed effettuare il rodaggio delle spazzole facendo funzionare l'utensile a vuoto per circa 10 minuti.

Quindi, controllare l'utensile mentre è in funzione e il funzionamento del freno elettrico quando si rilascia l'interruttore a grilletto. Qualora il freno elettrico non funzioni correttamente, far riparare l'utensile da un centro di assistenza Makita.

Dopo l'uso

Dopo l'uso, rimuovere i trucioli e la segatura attaccati all'utensile con un panno o uno straccio. Mantenere pulita la protezione della lama attenendosi alle indicazioni fornite nella sezione precedente "Protezione lama". Per evitare la ruggine, lubrificare le parti scorrevoli con olio per macchine.

Per preservare la SICUREZZA e l'AFFIDABILITÀ del prodotto, le riparazioni e qualsiasi altro intervento di manutenzione e di regolazione devono essere eseguiti da un centro di assistenza autorizzato Makita, utilizzando sempre ricambi Makita.

ACCESSORI OPZIONALI

AVVERTIMENTO: Questi accessori o componenti aggiuntivi Makita sono consigliati per l'uso con l'utensile Makita specificato nel presente manuale. L'uso di qualsiasi altro accessorio o componente aggiuntivo potrebbe risultare in gravi lesioni personali.

AVVERTIMENTO: Utilizzare l'accessorio o il componente aggiuntivo Makita unicamente per il suo scopo specificato. L'uso improprio di un accessorio o di un componente aggiuntivo potrebbe risultare in gravi lesioni personali.

Per ottenere ulteriori dettagli relativamente a questi accessori, rivolgersi a un centro di assistenza Makita.

- Lame in acciaio e al carburo
- Morsa verticale
- Morsa orizzontale
- Kit di fermi per modanatura a corona
- Sacchetto segatura
- Righello triangolare
- Chiave esagonale
- Chiave esagonale (per il modello LS1019L)

NOTA: Alcuni articoli nell'elenco potrebbero essere inclusi nell'imballaggio dell'utensile come accessori standard. Tali articoli potrebbero variare da nazione a nazione.

TECHNISCHE GEGEVENS

| Model: | | LS1019 | LS1019L |
|--|----------------------|---|---------|
| Diameter zaagblad | Europese landen | 260 mm | |
| | Niet-Europese landen | 255 mm - 260 mm | |
| Diameter middengat | Europese landen | 30 mm | |
| | Niet-Europese landen | 25,4 mm | |
| Maximale breedte van de zaagsnede van het zaagblad | | 3,2 mm | |
| Max. verstekhoek | | Rechts 60°, links 60° | |
| Max. schuine hoek | | Rechts 48°, links 48° | |
| Nullasttoerental (t/min) | | 3.200 min ⁻¹ | |
| Type laser | - | Rode laser 650 nm, max. uitgangsvermogen < 1,6 mW (laser van klasse 2M) | |
| Afmetingen (l x b x h) | | 805 mm x 644 mm x 660 mm | |
| Nettogewicht | | 26,1 kg | 26,3 kg |

Zaagcapaciteiten (h x b)

| Verstekhoek | Schuine hoek | | |
|-----------------------|----------------------------------|----------------------------------|----------------------------------|
| | 45° (links) | 0° | 45° (rechts) |
| 0° | 42 mm x 310 mm 58 mm x 279mm | 68 mm x 310 mm 91 mm x 279 mm | 29 mm x 310 mm 43 mm x 279 mm |
| 45° (links en rechts) | 42 mm x 218 mm 58 mm x 197 mm | 68 mm x 218 mm 91 mm x 197 mm | 29 mm x 218 mm 43 mm x 197 mm |
| 60° (links en rechts) | - | 68 mm x 155 mm 91 mm x 139 mm | - |




Zaagcapaciteiten voor speciale zaagsneden

| Type zaagsnede | Zaagdiepte |
|--|------------|
| Kroon-profiellijst, type 45° (met gebruik van de kroon-profiellijstaanslag) | 168 mm |
| Plint (met gebruik van horizontale spanschroef) | 133 mm |

- In verband met ononderbroken research en ontwikkeling behouden wij ons het recht voor bovenstaande technische gegevens te wijzigen zonder voorafgaande kennisgeving.
- De technische gegevens kunnen van land tot land verschillen.
- Gewicht volgens EPTA-procedure 01/2014

Symbolen

Hieronder staan de symbolen die voor het gereedschap worden gebruikt. Zorg ervoor dat u weet wat ze betekenen alvorens het gereedschap te gebruiken.

| | |
|--|---|
|  | Lees de gebruiksaanwijzing. |
|  | DUBBEL GEÏSOLEERD |
|  | Om letsel door rondvliegende houtsnippers te voorkomen, blijft u na het zagen de zaagkop omlaag gedruwd houden totdat het zaagblad volledig tot stilstand is gekomen. |



Voor het uitvoeren van schuivend zagen trekt u eerst de slede helemaal naar u toe, brengt u vervolgens het handvat omlaag, en duwt u tenslotte de slede naar de geleider.



Houd handen en vingers uit de buurt van het zaagblad.



Kijk nooit in de laserstraal. De rechtstreekse laserstraal kan uw ogen beschadigen.



Alleen voor EU-landen
Geef elektrisch gereedschap niet met het huisvuil mee! Volgens de Europese richtlijn inzake oude elektrische en elektronische apparaten en de toepassing daarvan binnen de nationale wetgeving, dient gebruikt elektrisch gereedschap gescheiden te worden ingezameld en te worden afgevoerd naar een recyclebedrijf dat voldoet aan de geldende milieueisen.

Gebruiksdoeleinden

Dit gereedschap is bedoeld voor nauwkeurig recht zagen en verstekzagen in hout. Als het juiste zaagblad wordt gebruikt, kan dit gereedschap ook aluminium zagen.

Voeding

Het gereedschap mag alleen worden aangesloten op een voeding van dezelfde spanning als aangegeven op het typeplaatje, en kan alleen worden gebruikt op enkelfase-wisselstroom. Het gereedschap is dubbel-geïsoleerd en kan derhalve ook op een niet-geaard stop-contact worden aangesloten.

Geluidsniveau

De typische, A-gewogen geluidsniveaus zijn gemeten volgens EN62841:

Model LS1019

Geluidsdrukniveau (L_{pA}): 91 dB (A)

Geluidsvermogeniveau (L_{WA}): 101 dB (A)

Onzekeerheid (K): 3 dB (A)

Model LS1019L

Geluidsdrukniveau (L_{pA}): 91 dB (A)

Geluidsvermogeniveau (L_{WA}): 101 dB (A)

Onzekeerheid (K): 3 dB (A)

⚠ WAARSCHUWING: Draag gehoorbescherming.

Trilling

De totale trillingswaarde (triaxiale vectorsom) zoals vastgesteld volgens EN62841:

Model LS1019

Trillingsemmissie (a_h): 2,5 m/s² of lager

Onzekeerheid (K): 1,5 m/s²

Model LS1019L

Trillingsemmissie (a_h): 2,5 m/s² of lager

Onzekeerheid (K): 1,5 m/s²

OPMERKING: De opgegeven trillingsemmissiewaarde is gemeten volgens de standaardtestmethode en kan worden gebruikt om dit gereedschap te vergelijken met andere gereedschappen.

OPMERKING: De opgegeven trillingsemmissiewaarde kan ook worden gebruikt voor een beoordeling vooraf van de blootstelling.

⚠ WAARSCHUWING: De trillingsemmissie tijdens het gebruik van het elektrisch gereedschap in de praktijk kan verschillen van de opgegeven trillingsemmissiewaarde afhankelijk van de manier waarop het gereedschap wordt gebruikt.

⚠ WAARSCHUWING: Zorg ervoor dat veiligheidsmaatregelen worden getroffen ter bescherming van de operator die zijn gebaseerd op een schatting van de blootstelling onder praktijkomstandigheden (rekening houdend met alle fasen van de bedrijfs-cyclus, zoals de tijdsduur gedurende welke het gereedschap is uitgeschakeld en stationair draait, naast de ingeschakelde tijdsduur).

EG-verklaring van conformiteit

Alleen voor Europese landen

De EG-verklaring van conformiteit is bijgevoegd als Bijlage A bij deze gebruiksaanwijzing.

VEILIGHEIDSWAARSCHUWINGEN

Algemene veiligheidswaarschuwingen voor elektrisch gereedschap

⚠ WAARSCHUWING: Lees alle veiligheids-waarschuwingen, aanwijzingen, afbeeldingen en technische gegevens behorend bij dit elektrische gereedschap aandachtig door. Als u niet alle onderstaande aanwijzingen naleeft, kan dat resulteren in brand, elektrische schokken en/of ernstig letsel.

Bewaar alle waarschuwingen en instructies om in de toekomst te kunnen raadplegen.

De term "elektrisch gereedschap" in de veiligheidsvoor-schriften duidt op gereedschappen die op stroom van het lichtnet werken (met snoer) of gereedschappen met een accu (snoerloos).

Veiligheidsinstructies voor verstekzagen

1. **Verstekzagen zijn bedoeld voor het zagen van hout of houtachtige materialen. Ze kunnen niet worden gebruikt met doorslijpschijven voor het doorslijpen van ferro-materialen, zoals stangen, staven, draadeinden, enz.** Door het slijpstof zullen bewegende delen, zoals de onderste beschermkap, vastlopen. De vonken die bij doorslijpen worden geproduceerd, verbranden de onderste beschermkap, het zaagsnede-inzetstuk en andere kunststofonderdelen.
2. **Gebruik klemmen om het werkstuk vast te zetten wanneer dat mogelijk is. Als u het werkstuk met de hand vasthoudt, moet u uw hand altijd minstens 100 mm van beide kanten van het zaagblad weg houden. Gebruik deze zaag niet voor het zagen van werkstukken die te klein zijn om stevig vast te klemmen of met de hand vast te houden. Als uw hand te dicht bij het zaagblad is geplaatst, is de kans groter dat u letsel oploopt door het aanraken van het zaagblad.**
3. **Het werkstuk moet stil liggen en vastgeklemd zijn of vastgehouden worden tegen zowel de geleider als de tafel. Voer het werkstuk niet in het zaagblad aan, en zaag nooit 'uit de vrije hand'.** Losliggende of bewegende werkstukken kunnen op hoge snelheid worden weggeworpen en letsel veroorzaken.

4. **Duw het zaagblad door het werkstuk. Trek het zaagblad niet door het werkstuk. Om een zaagsnede te maken, brengt u de zaagkop omhoog en trekt u het naar u toe boven het werkstuk zonder te zagen. Start de motor, duw de zaagkop omlaag en duw het zaagblad door het werkstuk.** Als tijdens de trekkende beweging wordt gezaagd, klimt het zaagblad waarschijnlijk uit het werkstuk en wordt de zaagkop met kracht in de richting van de gebruiker geworpen.
 5. **Kruis met uw hand nooit de beoogde zaaglijn, hetzij vóór dan wel achter het zaagblad.** Het 'kruislings' vasthouden van het werkstuk, waarbij het werkstuk aan de rechterkant van het zaagblad wordt vastgehouden met de linkerhand, of vice versa, is bijzonder gevaarlijk.
- Fig.1
6. **Reik niet achter de geleider met een van uw handen dichters dan 100 mm bij een van de kanten van het zaagblad, om houtsnippers te verwijderen of om welke andere reden dan ook, terwijl het zaagblad draait.** U realiseert zich mogelijk niet hoe dicht uw hand bij het draaiende zaagblad is en u kunt ernstig letsel oplopen.
 7. **Inspecteer uw werkstuk voordat u begint te zagen. Als het werkstuk gebogen of verdraaid is, klemt u het vast met de buitenkant van het gebogen oppervlak tegen de geleider. Verzekert u er altijd van dat er geen opening is tussen het werkstuk, de geleider en de tafel langs de zaaglijn.** Gebogen of verdraaide werkstukken kunnen zich draaien of verschuiven, en kunnen het draaiende zaagblad doen verlopen tijdens het zagen. Er mogen geen spijkers of vreemde voorwerpen in het werkstuk zitten.
 8. **Gebruik de zaag niet totdat de tafel vrij is van alle gereedschappen, houtsnippers, enz., behalve het werkstuk.** Kleine stukjes afval, losse stukjes hout of andere voorwerpen die in aanraking komen met het draaiende zaagblad, kunnen met hoge snelheid worden weggevoerd.
 9. **Zaag slechts één werkstuk tegelijkertijd.** Meerdere, opgestapelde werkstukken kunnen niet goed worden vastgeklemd of vastgehouden, en kunnen het zaagblad doen vastlopen of tijdens het zagen verschuiven.
 10. **Verzekert u er vóór gebruik van dat de verstekzaag is bevestigd of geplaatst op een stevig werkoppervlak.** Een horizontaal en stevig werkoppervlak verkleint de kans dat de verstekzaag instabiel wordt.
 11. **Plan uw werkzaamheden. Elke keer wanneer u de instelling voor de schuine hoek of verstekhoek, verzekert u zich ervan dat de verstelbare geleider correct is afgesteld om het werkstuk te steunen en tevens het zaagblad of beschermingssysteem niet raakt tijdens gebruik.** Zonder het gereedschap in te schakelen en zonder een werkstuk op de tafel, beweegt u het zaagblad langs een volledige, gesimuleerde zaagsnede om er zeker van te zijn dat het zaagblad niets raakt en er geen gevaar is dat in de geleider wordt gezaagd.
 12. **Zorg voor voldoende ondersteuning, zoals tafelerlengingen, zaagbokken, enz. voor een werkstuk dat breder of langer is dan het bovenoppervlak van de tafel.** Werkstukken die breder of langer zijn dan de verstekzaagtafel, kunnen kantelen als ze niet goed worden ondersteunt. Als het afgezaagde deel of het werkstuk kantelt, kan het de onderste beschermkap optillen of worden weggevoerd door het draaiende zaagblad.
 13. **Gebruik niet een andere persoon als vervanging van een tafelerlenging of als extra ondersteuning.** Een instabiele ondersteuning van het werkstuk kan ertoe leiden dat het zaagblad vastloopt of het werkstuk verschuift tijdens het zagen, waardoor u en de helper in het draaiende zaagblad worden getrokken.
 14. **Het afgezaagde deel van het werkstuk mag op geen enkele wijze tegen het draaiende zaagblad bekneld raken of gedrukt worden.** Indien opgesloten, d.w.z. bij gebruik van lengteaanlagen, kan het afgezaagde deel tegen het zaagblad bekneld raken en met kracht weggevoerd worden.
 15. **Gebruik altijd een klem of een bevestigingsmethode die bedoeld is om ronde werkstukken, zoals een staaf of buis, te ondersteunen.** Staven neigen te verrollen tijdens het zagen, waardoor het zaagblad zich 'vastbijt' en het werkstuk met uw hand in het zaagblad wordt getrokken.
 16. **Laat het zaagblad de volle snelheid bereiken voordat deze het werkstuk raakt.** Dit verkleint de kans dat het werkstuk wordt weggevoerd.
 17. **Als het werkstuk of zaagblad vastloopt, schakelt u de verstekzaag uit. Wacht totdat alle bewegende delen tot stilstand zijn gekomen en trek de stekker uit het stopcontact en/of verwijder de accu. Verwijder daarna het vastgelopen materiaal.** Als u blijft zagen met een vastgelopen zaagblad, kunt u de controle over de verstekzaag verliezen of deze beschadigen.
 18. **Nadat u de zaagsnede hebt voltooid, laat u de schakelaar los, blijft u de zaagkop omlaag gedrukt houden en wacht u tot het zaagblad stilstaat voordat u het afgezaagde deel verwijdert.** Het is gevaarlijk om met uw hand in de buurt van het nalopende zaagblad te reiken.
 19. **Houd het handvat stevig vast bij het maken van een onvolledige zaagsnede en bij het loslaten van de schakelaar voordat de zaagkop helemaal omlaag is geduwd.** Door het remeffect van het zaagblad kan ertoe leiden dat de zaagkop plotseling omlaag getrokken wordt, waardoor een kans op letsel ontstaat.
 20. **Gebruik uitsluitend een zaagblad met een diameter zoals aangegeven op het gereedschap of vermeld in de gebruiksaanwijzing.** Het gebruik van een zaagblad met een verkeerde afmeting, kan een goede bescherming of werking van het zaagblad verhinderen, wat kan leiden tot ernstig persoonlijk letsel.
 21. **Gebruik altijd een zaagblad dat is gemarkeerd met een toerental dat gelijk is aan of hoger is dan het toerental dat is aangegeven op het gereedschap.**
 22. **Gebruik de zaag niet voor het zagen van iets anders dan hout, aluminium of soortgelijke materialen.**
 23. **(Alleen voor Europese landen)
Gebruik altijd een zaagblad dat voldoet aan EN847-1.**

Aanvullende instructies

1. Houd de werkplaats kinderveilig met hangsloten.
2. Ga nooit op het gereedschap staan. Er kan ernstig letsel ontstaan als het gereedschap omvalt of als het snij-/zaaggarnituur per ongeluk wordt aangeraakt.
3. Laat het gereedschap nooit ingeschakeld achter. Schakel de voeding uit. Laat het gereedschap niet achter totdat het volledig tot stilstand is gekomen.
4. Gebruik de zaag niet zonder dat de beschermkappen zijn aangebracht. Controleer vóór elk gebruik of de beschermkap goed sluit. Gebruik de zaag niet indien de beschermkap niet goed beweegt en niet snel over het zaagblad sluit. Klem of bind de beschermkap nooit in de geopende stand vast.
5. Houd uw handen uit de buurt van het zaagblad. Voorkom contact met het nog nadraaiende zaagblad. Het kan nog steeds ernstig letsel veroorzaken.
6. Klem of bind de beschermkap nooit in de geopende stand vast.
7. Om de kans op letsel te verkleinen, schuift u de slede terug naar zijn achterste stand na elke afkortaagsnede.
8. Zet alle bewegende onderdelen vast alvorens het gereedschap te dragen.
9. De aanslagpen die de zaagkop in de onderste stand vergrendelt, wordt alleen gebruikt voor het dragen en opbergen van het gereedschap en niet voor zaagbedieningen.
10. Controleer vóór het gebruik het zaagblad zorgvuldig op barsten of beschadiging. Vervang een gebarsten of beschadigd zaagblad onmiddellijk. Gom of hars dat op het zaagblad is opgedroogd vertraagt het zaagblad en verhoogt de kans op terugslag. Houd het zaagblad schoon door dit eerst van het gereedschap te demonteren en het vervolgens schoon te maken met een schoonmaakmiddel voor gom en hars, heet water of kerosine. Gebruik nooit benzine om het zaagblad schoon te maken.
11. Tijdens het uitvoeren van schuivend zagen, kan een TERUGSLAG optreden. Een TERUGSLAG treedt op wanneer het zaagblad vastloopt in het werkstuk tijdens het zagen en et zaagblad snel in de richting van de gebruiker wordt bewogen. Dit kan leiden tot verlies van controle over het gereedschap en ernstig persoonlijk letsel. Wanneer het zaagblad begint vast te lopen tijdens het zagen, zaagt u niet verder maar laat u de schakelaar onmiddellijk los.
12. Gebruik alleen flenzen die voor dit gereedschap zijn bestemd.
13. Pas op dat u de as, de flenzen (vooral hun montagevlak) of de bout niet beschadigt. Beschadiging van deze onderdelen kan zaagbladbreuk veroorzaken.
14. Zorg dat het draaibaar voetstuk goed vastgezet is, zodat het tijdens het zagen niet kan bewegen. Gebruik de gaten in het voetstuk om de zaag te bevestigen op een stevig werkplatform of een stevige werkbank. Gebruik het gereedschap NOOIT wanneer de gebruiker in een ongemakkelijke houding moet staan.
15. Zet de asblokkering in de vrije stand alvorens de schakelaar in te drukken.
16. Zorg ervoor dat het zaagblad in zijn laagste positie niet in aanraking komt met het draaibaar voetstuk.
17. Houd het handvat stevig vast. Denk eraan dat de zaag bij het starten en stoppen even op- en neergaat.
18. Zorg dat het zaagblad bij het inschakelen niet in contact is met het werkstuk.
19. Laat het gereedschap een tijdje draaien alvorens het op het werkstuk te gebruiken. Controleer op trillingen of schommelingen die op onjuiste montage of op een slecht uitgebalanceerd zaagblad kunnen wijzen.
20. Stop onmiddellijk met zagen indien u iets abnormaals opmerkt.
21. Probeer niet om de trekkerschakelaar in de ingeschakeld stand te vergrendelen.
22. Gebruik uitsluitend de accessoires die in deze gebruiksaanwijzing worden aanbevolen. Het gebruik van ongeschikte accessoires, zoals slijpschijven, kan letsel veroorzaken.
23. Sommige materialen bevatten chemische stoffen die giftig kunnen zijn. Wees voorzichtig dat u geen stof inademt en het stof niet op uw huid komt. Volg de veiligheidsinstructies van de leverancier van het materiaal op.

Aanvullende veiligheidsvoorschriften voor een laser

1. **LASERSTRALING: KIJK NIET IN DE LASERSTRAAL EN KIJK NIET DOOR OPTISCHE INSTRUMENTEN RECHTSTREEKS NAAR DE LASERSTRAAL. LASERPRODUCT VAN KLASSE 2M.**

BEWAAR DEZE INSTRUCTIES.

⚠️ WAARSCHUWING: Laat u NIET misleiden door een vals gevoel van comfort en bekendheid met het gereedschap (na veelvuldig gebruik) en neem alle veiligheidsvoorschriften van het betreffende gereedschap altijd strikt in acht. **VERKEERD GEBRUIK** of het niet naleven van de veiligheidsvoorschriften in deze gebruiksaanwijzing kan leiden tot ernstig persoonlijk letsel.

BESCHRIJVING VAN DE ONDERDELEN

► Fig.2

| | | | | | | | |
|----|-------------------------------------|----|--------------------------------------|----|--|----|--|
| 1 | Sledestang | 2 | Aanslagpen (voor schuiven van slede) | 3 | Verticale spanschroef | 4 | Ontgrendelknop (voor schuine hoek rechts) |
| 5 | Steunstang | 6 | Draaibaar voetstuk | 7 | Wijzer (voor verstekhoek) | 8 | Verstekhoekschaal |
| 9 | Zaagsnedeplaat | 10 | Zaagbladkast | 11 | Stelschroef (voor laserlijn) | 12 | Bereikafstelschroef (voor laserlijn) |
| 13 | Beschermkap | 14 | Knop (voor schuine hoek) | 15 | Inbussleutel | 16 | Stelschroef (aanslag van onderste stand) |
| 17 | Stelbout (voor maximale zaagdiepte) | 18 | Aanslagarm | 19 | Vergrendelknop (voor draaibaar voetstuk) | 20 | Ontgrendelhendel (voor draaibaar voetstuk) |
| 21 | Handgreep (voor draaibaar voetstuk) | - | - | - | - | - | - |

► Fig.3

| | | | | | | | |
|----|--------------------------------------|----|--|----|---------------------------------------|----|--|
| 1 | Trekverschakelaar | 2 | Uit-vergrendelknop | 3 | Gat voor hangslot | 4 | Schakelaar (voor laserlijn) |
| 5 | Slang (voor stofafzuiging) | 6 | Aanslagpen (voor omhoog brengen van slede) | 7 | Geleider (onderste geleider) | 8 | Geleider (bovenste geleider) |
| 9 | Stofzak | 10 | Stelbout voor 0° (voor schuine hoek) | 11 | Schuine-hoekschaal | 12 | Ontgrendelhendel (voor schuine hoek van 48°) |
| 13 | Vergrendelhendel (voor schuine hoek) | 14 | Wijzer (voor schuine hoek) | 15 | Stelbout voor 45° (voor schuine hoek) | - | - |

BEVESTIGEN

De handgreep aanbrengen

Draai de draadstang van de handgreep in het draaibaar voetstuk.

► Fig.4: 1. Handgreep 2. Draaibaar voetstuk

De stofafzuigslang aanbrengen

Sluit de stofafzuigslang aan op het gereedschap zoals aangegeven in de afbeelding.

Zorg ervoor dat de kniekoppeling en de mof goed passen op de poorten van het gereedschap.

► Fig.5: 1. Stofafzuigslang 2. Kniekoppeling 3. Mof 4. Poort

Op een werktafel bevestigen

Tijdens verzending is het handvat met behulp van de aanslagpen vergrendeld in de onderste stand. Duw het handvat iets omlaag, trek aan de aanslagpen en draai hem 90°.

► Fig.6: 1. Vergrendelde stand 2. Ontgrendelde stand 3. Aanslagpen

Dit gereedschap moet met vier bouten worden gemonteerd op een horizontale en stabiele ondergrond met gebruikmaking van de boutgaten in het voetstuk van het gereedschap. Hierdoor wordt voorkomen dat het gereedschap kan omvallen en letsel kan veroorzaken.

► Fig.7: 1. Bout

⚠ WAARSCHUWING: Zorg ervoor dat het gereedschap niet beweegt op de ondergrond.

Als de verstekzaag tijdens het zagen beweegt ten opzichte van de ondergrond, kan dat leiden tot verlies van controle over het gereedschap en ernstig persoonlijk letsel.

BESCHRIJVING VAN DE FUNCTIES

⚠ WAARSCHUWING: Zorg ervoor dat het gereedschap is uitgeschakeld en de stekker uit het stopcontact is getrokken voordat u de werking van het gereedschap aanpast of controleert. Als het gereedschap niet wordt uitgeschakeld en de stekker niet uit het stopcontact wordt getrokken, kan dat na per ongeluk inschakelen leiden tot ernstig persoonlijk letsel.

Beschermkap

► **Fig.8:** 1. Beschermkap

Wanneer het handvat omlaag wordt gebracht, gaat de beschermkap automatisch omhoog. De beschermkap is veerbelast zodat zij naar haar oorspronkelijke positie terugkeert wanneer het zagen voltooid is en het handvat omhoog wordt gebracht.

⚠ WAARSCHUWING: Zet de beschermkap nooit vast en verwijder nooit de beschermkap of de veer die eraan is bevestigd. Een blootliggend zaagblad als gevolg van een buiten werking gestelde beschermkap kan tijdens gebruik leiden tot ernstig persoonlijk letsel.

Omwille van uw persoonlijke veiligheid zorgt u ervoor dat de beschermkap altijd goed werkt. Iedere onregelmatigheid in de werking van de beschermkap moet onmiddellijk worden gecorrigeerd. Controleer of de veer goed werkt zodat de beschermkap goed terugkeert.

⚠ WAARSCHUWING: Gebruik het gereedschap nooit wanneer de beschermkap of de veer beschadigd, defect, of verwijderd is. Het gebruik van het gereedschap met een beschadigde, defecte of verwijderde beschermkap kan leiden tot ernstig persoonlijk letsel.

Als de doorzichtige beschermkap vuil is geworden of er zaagsel aan kleeft zodat het zaagblad en/of het werkstuk niet meer goed zichtbaar is, trek u de stekker van het gereedschap uit het stopcontact en maakt u de beschermkap voorzichtig schoon met een vochtige doek. Gebruik geen oplosmiddelen of een schoonmaakmiddel op petroleumbasis op de kunststoffen beschermkap omdat hierdoor de beschermkap kan worden beschadigd.

Als de beschermkap bijzonder vuil is en u er niet meer doorheen kunt kijken, trekt u de stekker van het gereedschap uit het stopcontact en gebruikt u de bijgeleverde inbusleutel om de inbusbout los te draaien waarmee de middenkap is bevestigd. Draai de inbusbout los door deze linksom te draaien en til de beschermkap en middenkap op. Met de beschermkap in deze stand kan deze effectiever en vollediger worden schoongemaakt. Nadat u klaar bent met het schoonmaken, voert u de bovenstaande procedure in omgekeerde volgorde uit en draait u de bout weer vast. Verwijder de veer van de beschermkap niet. Als de beschermkap van kleur is veranderd door ouderdom of blootstelling aan ultravioletlicht, neemt u contact op met een Makita-servicecentrum om een nieuwe beschermkap te bestellen. DE BESCHERMKAP NOOIT VASTZETTEN OF VERWIJDEREN.

► **Fig.9:** 1. Middenkap 2. Inbusleutel
3. Beschermkap

Zaagsnedeplaten

Om scheuren op de uitlaatkant van een snede tot een minimum te beperken, is dit gereedschap voorzien van zaagsnedeplaten in het draaibaar voetstuk. De zaagsnedeplaten zijn in de fabriek zodanig afgesteld dat het zaagblad niet met de zaagsnedeplaten in aanraking komt. Stel de zaagsnedeplaten als volgt af alvorens de zaag in gebruik te nemen:

► **Fig.10:** 1. Zaagsnedeplaat

► **Fig.11:** 1. Linkse schuine snede 2. Rechte snede
3. Rechtse schuine snede 4. Zaagblad
5. Zaagbladtanden 6. Zaagsnedeplaat

Trek eerst de stekker van het gereedschap uit het stopcontact. Draai alle schroeven los (2 elk aan de linker- en rechterkant) waarmee de zaagsnedeplaten zijn bevestigd tot de zaagsnedeplaten gemakkelijk met de hand kunnen worden bewogen. Breng het handvat volledig omlaag en trek en draai daarna de aanslagpen om het handvat in de onderste positie te vergrendelen. Laat de aanslagpen op de sledestang los en trek de slede helemaal naar u toe. Stel de positie van de zaagsnedeplaten af zodat deze net in aanraking komen met de zijanten van de zaagbladtanden. Trek de voorste schroeven aan (niet te hard aantrekken). Duw de slede zo ver mogelijk naar de geleider en stel de positie van de zaagsnedeplaten zodanig af dat deze net in aanraking komen met de zijanten van de zaagbladtanden. Trek de achterste schroeven aan (niet te hard aantrekken).

Nadat de zaagsnedeplaten zijn afgesteld, ontgrendelt u de aanslagpen en brengt u het handvat omhoog. Trek vervolgens alle schroeven stevig aan.

KENNISGEVING: Zorg na het instellen van de schuine hoek ervoor dat de zaagsnedeplaten goed worden afgesteld. Een juiste afstelling van de zaagsnedeplaten bevordert een goede ondersteuning van het werkstuk, waardoor het werkstuk minimaal splintert.

Een maximale zaagdiepte behouden

Dit gereedschap is in de fabriek afgesteld om de maximale zaagdiepte te leveren met een zaagblad met een diameter van 255 mm of 260 mm.

Controleer bij het monteren van een nieuw zaagblad altijd de onderste stand van het zaagblad en stel deze zo nodig als volgt af:

Trek eerst de stekker van het gereedschap uit het stopcontact. Draai de aanslaghendel naar de ingeschakelde stand.

► **Fig.12:** 1. Aanslaghendel

Duw de slede zo ver mogelijk naar de geleider en breng het handvat volledig omlaag.

Stel de stand van het zaagblad af door de stelbout te draaien met behulp van de inbusleutel. De buitenrand van het zaagblad moet tot iets onder het bovenoppervlak van het draaibare voetstuk komen en tevens tot het punt reiken waar de voorkant van de geleider en het bovenoppervlak van het draaibare voetstuk elkaar raken.

► **Fig.13:** 1. Stelbout

► **Fig.14:** 1. Bovenoppervlak van draaibaar voetstuk
2. Rand van zaagblad 3. Geleider

Houd, terwijl de stekker van het gereedschap uit het stopcontact is getrokken, het handvat helemaal omlaag gedrukt en draai het zaagblad met de hand rond om u ervan te verzekeren dat het zaagblad geen enkel onderdeel van het onderste voetstuk raakt. Stel opnieuw een beetje af, indien nodig. Zet na het afstellen altijd de aanslaghendel terug in zijn oorspronkelijke stand.

⚠ WAARSCHUWING: Na het aanbrengen van een nieuw zaagblad controleert u, terwijl de stekker van het gereedschap uit het stopcontact is getrokken, altijd dat het zaagblad geen enkel onderdeel van het onderste voetstuk raakt wanneer de handvat zo ver mogelijk omlaag wordt gebracht. Als het zaagblad het voetstuk raakt, kan dit een terugslag veroorzaken en leiden tot ernstig persoonlijk letsel.

Aanslagarm

Met de aanslagarm kunt u de laagste positie van het zaagblad gemakkelijk instellen. Om deze in te stellen, draait u de aanslagarm in de richting van de pijl, zoals aangegeven in de afbeelding. Draai de stelschroef zodanig dat het zaagblad stopt in de gewenste stand wanneer het handvat helemaal omlaag wordt gebracht.

► **Fig.15:** 1. Aanslagarm 2. Stelschroef

Afstellen van de verstekhoek

⚠ LET OP: Na het wijzigen van de verstekhoek, dient u het draaibaar voetstuk altijd vast te zetten door de handgreep stevig vast te draaien.

KENNISGEVING: Voor het verdraaien van het draaibaar voetstuk dient u het handvat volledig omhoog te brengen.

► **Fig.16:** 1. Vergrendelknop 2. Handgreep
3. Ontgrendelhendel 4. Wijzer

Draai de handgreep linksom los om het draaibare voetstuk te ontgrendelen. Verschuif de handgreep terwijl u de vergrendelhendel omlaag gedrukt houdt om het draaibare voetstuk te draaien. Lijn de wijzer uit met uw gewenste hoek op de schaal en draai daarna de handgreep vast.

OPMERKING: Als u de ontgrendelhendel indrukt, kunt u het draaibare voetstuk draaien zonder de vergrendelhendel omlaag gedrukt te houden. Draai de handgreep in de gewenste stand vast.

Deze verstekzaag heeft een klikstopfunctie. U kunt snel een linkse/rechtse verstekhoek van 0°, 15°, 22,5°, 31,6°, 45° en 60° instellen. Om deze functie te gebruiken, houdt u de vergrendelhendel omlaag gedrukt en verschuift u het draaibare voetstuk tot vlakbij de gewenste klikstophoek. Laat daarna de vergrendelhendel los en verschuift het draaibare voetstuk verder tot het draaibare voetstuk wordt vergrendeld.

Afstellen van de schuine hoek

KENNISGEVING: Verwijder altijd de bovenste geleiders en de verticale spanschroef voordat u de schuine hoek instelt.

KENNISGEVING: Wanneer u de schuine hoek wijzigt, dient u de zaagsnedeplaten in de juiste positie te zetten zoals beschreven in "Zaagsnedeplaten".

KENNISGEVING: Voor het kantelen van het zaagblad dient u het handvat volledig omhoog te brengen.

1. Draai de knop op de sledestang linksom.
► **Fig.17:** 1. Knop
2. Trek aan de vergrendelhendel en draai hem naar de afgebeelde stand.
► **Fig.18:** 1. Vergrendelhendel
3. Lijn de wijzer uit met uw gewenste hoek op de schaal door de slede te bewegen en draai daarna de knop vast.
► **Fig.19:** 1. Schuine-hoekschaal 2. Wijzer

Om de slede naar rechts te kantelen, kantelt u de slede iets naar links, houdt u de ontgrendelknop ingedrukt en kantelt u de slede naar rechts.

► **Fig.20:** 1. Ontgrendelknop

Als u een schuine zaagsnede van meer dan 45° wilt maken, kantelt u de slede terwijl u de ontgrendelhendel naar de voorkant van het gereedschap schuift. U kunt maximaal een schuine hoek van 48° zagen.

► **Fig.21:** 1. Ontgrendelhendel

Deze verstekzaag heeft een klikstopfunctie. U kunt een hoek van 22,5° en 33,9° naar zowel links als rechts snel instellen. Zet de vergrendelhendel in de afgebeelde stand en kantel de slede. Om de hoek te veranderen, trekt u aan de vergrendelhendel en kantelt u de slede.

► **Fig.22:** 1. Vergrendelhendel

⚠ LET OP: Na het instellen van de schuine hoek, draait u altijd de knop weer vast.

Schuifvergrendeling

Om de schuifbeweging van de slede te vergrendelen, duwt u de slede naar de geleider tot hij stopt. Trek de aanslagpen eruit en draai hem 90°.

► **Fig.23:** 1. Ontgrendelde stand 2. Vergrendelde stand 3. Aanslagpen

Werking van de schakelaar

⚠ WAARSCHUWING: Controleer altijd, voordat u de stekker van het gereedschap in het stopcontact steekt, of de trekkerschakelaar op de juiste manier schakelt en weer terugkeert naar de uitstand nadat deze is losgelaten. Druk de trekverschakelaar niet hard in zonder dat de uitvergrendelknop is ingedrukt. Hierdoor kan de schakelaar kapot gaan. Het gereedschap gebruiken zonder dat de schakelaar goed werkt, kan leiden tot verlies van controle en ernstig persoonlijk letsel.

⚠ WAARSCHUWING: Gebruik het gereedschap NOOIT met een defecte trekkerschakelaar. Ieder gereedschap met een defecte trekverschakelaar is UITERST GEVAARLIJK en moet worden gerepareerd voordat het gereedschap wordt gebruikt of ernstig persoonlijk letsel wordt veroorzaakt.

⚠ WAARSCHUWING: U mag NOOIT de uitvergrendelknop buiten werking stellen door hem met tape vast te zetten of iets dergelijks. Een schakelaar met een buiten werking gestelde uitvergrendelknop, kan leiden tot onbedoeld inschakelen en ernstig persoonlijk letsel.

⚠ WAARSCHUWING: Gebruik het gereedschap NOOIT als het start door alleen maar de trekkerschakelaar in te knippen zonder de uitvergrendelknop in te drukken. Een schakelaar die moet worden gerepareerd, kan leiden tot onbedoeld inschakelen en ernstig persoonlijk letsel. Stuur het gereedschap op naar een Makita-servicecentrum voor reparatie ZONDER het verder te gebruiken.

► Fig.24: 1. Trekkerschakelaar 2. Uitvergrendelknop
3. Gat voor hangslot

Een uitvergrendelknop is aanwezig om te voorkomen dat de trekkerschakelaar per ongeluk wordt ingedrukt. Om het gereedschap te starten, drukt u de uitvergrendelknop in en drukt u vervolgens de trekkerschakelaar in. Laat de trekkerschakelaar los om het gereedschap te stoppen.

In de trekkerschakelaar is een gat aangebracht waar een hangslot door past om het gereedschap af te sluiten.

⚠ WAARSCHUWING: Gebruik geen slot met een beugel of kabel met een diameter kleiner dan 6,35 mm (1/4"). Met een dünnere beugel of kabel wordt het gereedschap mogelijk niet goed in de uitstand vergrendeld, waardoor onbedoelde bediening kan plaatsvinden die kan leiden tot ernstig persoonlijk letsel.

Elektronische functie

Constant-toerentalregeling

Het gereedschap is uitgerust met een elektronische toerentalregeling die helpt een constant toerental van het zaagblad te handhaven, ook onder belasting. Een constant toerental van het zaagblad zorgt voor een zeer gladde zaagsnede.

Zachte-startfunctie

Deze functie laat het gereedschap soepel starten door het startkoppel te beperken.

Laserstraalfunctie

Alleen voor model LS1019L

⚠ LET OP: Kijk nooit in de laserstraal. De rechtstreekse laserstraal kan uw ogen beschadigen.

Om de laserstraal in te schakelen, drukt u op het bovenste deel (I) van de schakelaar. Om de laserstraal uit te schakelen, drukt u op het onderste deel (0) van de schakelaar.

► Fig.25: 1. Schakelaar voor laser

De laserlijn kan worden verschoven naar de linker- of rechterkant van het zaagblad door de stelschroef als volgt te draaien.

► Fig.26: 1. Stelschroef

1. Draai de stelschroef los door hem linksom te draaien.
2. Schuif, met losgedraaide stelschroef, de stelschroef zo ver mogelijk naar links of rechts.
3. Draai de stelschroef stevig vast in de stand waar het schuiven stopt.

OPMERKING: De laserlijn is in de fabriek zodanig afgesteld dat deze binnen 1 mm van de zijkant van het zaagblad (in de zaagstand) loopt.

OPMERKING: Wanneer de laserlijn vaag lijkt en moeilijk zichtbaar is vanwege rechtstreeks zonlicht, verplaatst u het werkgebied naar een plaats met minder rechtstreeks zonlicht.

De laserlijn uitlijnen

Lijn de zaaglijn op uw werkstuk uit met de laserlijn.

► Fig.27

- A) Wanneer u de juiste maat aan de linkerkant van het werkstuk wilt krijgen, verplaatst u de laserlijn naar de linkerkant van het zaagblad.
- B) Wanneer u de juiste maat aan de rechterkant van het werkstuk wilt krijgen, verplaatst u de laserlijn naar de rechterkant van het zaagblad.

OPMERKING: Plaats een houten hulpstuk tegen de geleider wanneer u de zaaglijn uitlijnt met de laserlijn aan de kant van de geleider in gecombineerd zagen (onder een schuine hoek van 45° en een rechtse verstekhoek van 45°).

MONTAGE

⚠ WAARSCHUWING: Zorg ervoor dat het gereedschap is uitgeschakeld en de stekker uit het stopcontact is getrokken voordat u werkzaamheden uitvoert aan het gereedschap. Als u het gereedschap niet uitschakelt en de stekker niet uit het stopcontact trekt, kan dat leiden tot ernstig persoonlijk letsel.

Opbergen van de inbusseleutel

Wanneer u de inbusseleutel niet gebruikt, bergt u deze op de plaats aangegeven in de afbeelding op, om te voorkomen dat deze wordt verloren.

► **Fig.28:** 1. Inbusseleutel

Het zaagblad aanbrengen en verwijderen

⚠ WAARSCHUWING: Verzeker u er altijd van dat het gereedschap is uitgeschakeld en de stekker uit het stopcontact is getrokken alvorens het zaagblad aan te brengen of te verwijderen. Als het gereedschap per ongeluk start, kan dat leiden tot ernstig persoonlijk letsel.

⚠ WAARSCHUWING: Gebruik voor het aanbrengen of verwijderen van het zaagblad uitsluitend de bijgeleverde Makita-sleutel. Als deze sleutel niet wordt gebruikt, kan de inbusbout te strak of onvoldoende strak worden vastgezet met ernstig persoonlijk letsel tot gevolg.

Vergrendel altijd de slede in de hoogste stand wanneer u het zaagblad aanbrengt of verwijdert. Met de slede in de hoogste stand, trek de aanslagpen eruit en draai hem 90°.

► **Fig.29:** 1. Ontgrendelde stand 2. Vergrendelde stand 3. Aanslagpen

Het zaagblad verwijderen

Draai met behulp van de inbusseleutel de inbusbout los waarmee de middenkap is bevestigd. Breng de beschermkap en de middenkap omhoog.

► **Fig.30:** 1. Middenkap 2. Inbusseleutel 3. Beschermkap

Druk de asblokkering in om de as te vergrendelen en draai daarna met behulp van de inbusseleutel de inbusbout los. Verwijder vervolgens de inbusbout, de buitenflens en het zaagblad.

► **Fig.31:** 1. Asblokkering 2. Inbusseleutel 3. Inbusbout (linkse schroefdraad) 4. Losdraaien 5. Vastdraaien

Het zaagblad aanbrengen

Plaats het zaagblad voorzichtig op de as, waarbij u er goed op let dat de richting van de pijl op de zijkant van het zaagblad overeenkomt met de richting van de pijl op het zaagbladhuis.

► **Fig.32:** 1. Pijl op het zaagbladhuis 2. Pijl op het zaagblad

Breng de buitenflens en inbusbout aan. Draai de inbusbout met behulp van de inbusseleutel linksom vast terwijl u de asblokkering ingedrukt houdt.

► **Fig.33:** 1. Inbusbout 2. Buitenflens 3. Zaagblad 4. Binnenflens 5. As 6. Ring

KENNISGEVING: Als de binnenflens werd verwijderd, moet u deze op de as aanbrengen met het uitsteeksel van het zaagblad afgekeerd. Als de flens verkeerd wordt aangebracht, zal de flens tegen het gereedschap aanlopen.

Breng de beschermkap en de middenkap terug naar hun oorspronkelijke positie. Draai daarna de inbusbout rechtsom vast om de middenkap vast te zetten. Ontgrendel de aanslagpen om de slede te ontgrendelen uit zijn hoogste stand. Breng het handvat omlaag om te controleren of de beschermkap goed beweegt. Controleer voordat u begint te zagen of de asblokkering de as niet langer vergrendelt.

⚠ WAARSCHUWING: Voordat het zaagblad op de as wordt geplaatst, moet u ervoor zorgen, dat de juiste ring, passend voor het asgat van het zaagblad, is aangebracht tussen de binnen- en buitenflens. Het gebruik van een verkeerde asgating kan resulteren in een gebrekkige montage van het zaagblad, waardoor dit gaat bewegen en sterk trillen met als gevolg dat u de controle over het gereedschap kunt verliezen en ernstig persoonlijk letsel kan worden veroorzaakt.

Een stofzuiger aansluiten

Wanneer u tijdens het zagen schoon wilt werken, sluit u een Makita-stofzuiger aan op het mondstuk met behulp van aansluitmond 24 (optioneel accessoire).

► **Fig.34:** 1. Aansluitmond 24 2. Slang 3. Stofzuiger

Stofzak

Door de stofzak te gebruiken werkt u schoon en kan het zaagsel eenvoudig worden opgeruimd. Om de stofzak aan te brengen, verwijdert u de stofafzuigslang vanaf het gereedschap en bevestigt u de stofzak.

► **Fig.35:** 1. Stofafzuigslang 2. Stofzak

Wanneer de stofzak ongeveer halfvol is, maakt u hem los van het gereedschap en trekt u de sluitstrip eruit. Maak de stofzak leeg en tik er zachtjes op voor het verwijderen van achtergebleven stofdeeltjes die verdere stofopvang zouden kunnen belemmeren.

► **Fig.36:** 1. Sluitstrip

Werkstuk vastklemmen

⚠ WAARSCHUWING: Het is uiterst belangrijk om het werkstuk altijd goed vast te klemmen in het juiste type spanschroef of kroon-profiellijstaanslag. Als u dat niet doet, kan dat leiden tot ernstig persoonlijk letsel en schade aan het gereedschap en/of het werkstuk.

⚠ WAARSCHUWING: Nadat u klaar bent met zagen, mag u het handvat pas omhoog brengen nadat het zaagblad volledig tot stilstand is gekomen. Als u het handvat omhoog brengt terwijl het zaagblad nog ronddraait, kan dat leiden tot ernstig persoonlijk letsel en schade aan het werkstuk.

⚠ WAARSCHUWING: Wanneer u een werkstuk zaagt dat langer is dan het voetstuk van de zaag, moet het werkstuk worden ondersteund over zijn volledige lengte buiten het voetstuk, en op dezelfde hoogte zodat het werkstuk horizontaal blijft. Een goede ondersteuning van het werkstuk helpt voorkomen dat het zaagblad vastloopt en een mogelijke terugslag optreedt die kan leiden tot ernstig persoonlijk letsel. Vertrouw niet alleen op de verticale en/of horizontale spanschroef om het werkstuk op zijn plaats te houden. Dun materiaal hangt gemakkelijk door. Ondersteun het werkstuk over zijn hele lengte om vastklemmen van het zaagblad en mogelijke TERUGSLAG te voorkomen.

► Fig.37: 1. Steun 2. Draaibaar voetstuk

Geleiders

⚠ WAARSCHUWING: Alvorens het gereedschap te bedienen, controleert u of de bovenste geleider stevig is vastgezet.

⚠ WAARSCHUWING: Controleer voor het zagen van een schuine hoek of geen enkel onderdeel van het gereedschap, vooral het zaagblad, de bovenste en onderste geleiders raakt wanneer het handvat in elke positie volledig omlaag en omhoog wordt gebracht en de slede over het hele bereik wordt verschoven. Als het gereedschap of het zaagblad de geleider raakt, kan terugslag of een onverwachte beweging van het werkstuk worden veroorzaakt met ernstig persoonlijk letsel tot gevolg.

Gebruik de bovenste geleiders om een werkstuk te ondersteunen dat hoger is dan de onderste geleiders. Steek de bovenste geleider in het gat in de onderste geleider en draai de klemschroef vast.

► Fig.38: 1. Bovenste geleider 2. Onderste geleider 3. Klemschroef 4. Stelschroef

KENNISGEVING: De onderste geleiders zijn in de fabriek bevestigd aan het voetstuk. Verwijder de onderste geleiders niet.

KENNISGEVING: Als de bovenste geleider nog steeds los is nadat de klemschroef is vastgedraaid, draait u de stelschroef om de spleet te dichten. De stelschroef is in de fabriek afgesteld. U hoeft deze niet te gebruiken, behalve indien nodig.

U kunt de bovenste geleiders op de steunstang bewaren wanneer ze niet in gebruik zijn. Gebruik de klem op de bovenste geleider om hem op de steunstang te bevestigen.

► Fig.39: 1. Steunstang 2. Bovenste geleider 3. Klem

Verticale spanschroef

⚠ WAARSCHUWING: Tijdens alle bedieningen moet het werkstuk door de spanschroef stevig tegen het draaibaar voetstuk en de geleider worden gedrukt. Als het werkstuk niet goed wordt vastgezet tegen de geleider, kan het tijdens het zagen bewegen en zo het zaagblad beschadigen, waardoor materiaal kan worden weggeslingerd en u de controle over het gereedschap kunt verliezen met ernstig persoonlijk letsel als gevolg.

► Fig.40: 1. Spanschroefarm 2. Spanschroefstang 3. Klemschroef 4. Spanschroefknop

De verticale spanschroef kan op twee plaatsen worden aangebracht, aan de linker- of rechterkant van het voetstuk. Steek de spanschroefstang in het gat in het voetstuk. Zet de spanschroefarm in de positie die geschikt is voor de dikte en vorm van het werkstuk, en zet de spanschroefarm vast door de schroef vast te draaien. Als de klemschroef de slede raakt, plaatst u hem aan de tegenovergestelde kant van de spanschroefarm. Controleer of geen enkel deel van het gereedschap in aanraking komt met de spanschroef wanneer het handvat helemaal omlaag wordt gebracht. Indien dit wel het geval is, moet u de positie van de spanschroef veranderen. Druk het werkstuk vlak tegen de geleider en het draaibaar voetstuk. Plaats het werkstuk in de gewenste zaagpositie en zet het stevig vast door de spanschroefknop vast te draaien.

OPMERKING: Om het werkstuk snel te plaatsen, draait u de spanschroefknop 90° linksom waarna de spanschroefknop omhoog en omlaag kan worden bewogen. Om na het plaatsen van het werkstuk dit vast te zetten, draait u de spanschroefknop rechtsom.

Horizontale spanschroef

Optioneel accessoire

⚠ WAARSCHUWING: Draai altijd de spanschroefmoer rechtsom tot het werkstuk stevig is vastgezet. Als het werkstuk niet goed wordt vastgezet, kan het tijdens het zagen bewegen en zo het zaagblad beschadigen, waardoor materiaal kan worden weggeslingerd en u de controle over het gereedschap kunt verliezen met ernstig persoonlijk letsel als gevolg.

⚠ WAARSCHUWING: Bij het zagen van een dun werkstuk, zoals een plint, tegen de geleider, gebruikt u altijd de horizontale spanschroef.

De horizontale spanschroef kan op twee plaatsen worden aangebracht, aan de linker- of rechterkant van het voetstuk. Als de verstekhoek 22,5° of groter is, plaatst u de horizontale spanschroef aan de kant tegenover de richting waarin het draaibare voetstuk wordt gedraaid.

► Fig.41: 1. Spanschroefplaat 2. Spanschroefmoer 3. Spanschroefknop

Door de spanschroefmoer linksom te kantelen, wordt de spanschroef ontgrendeld en kan deze snel naar voren en achteren worden getrokken. Om het werkstuk vast te zetten, duwt u de spanschroefknop naar voren tot de spanschroefplaat het werkstuk raakt, waarna u de spanschroefmoer rechtsom kantelt. Draai daarna de spanschroefknop rechtsom om het werkstuk vast te zetten.

OPMERKING: De maximumbreedte van het werkstuk dat door de horizontale spanschroef kan worden vastgezet is 228 mm.

Steunstangen

WAARSCHUWING: Ondersteun een lang werkstuk altijd zodanig dat het horizontaal ligt met de draaibaar voetstuk om een nauwkeurige zaagsnede te verkrijgen en om gevaarlijk verlies van controle over het gereedschap te voorkomen. Een goede ondersteuning van het werkstuk helpt voorkomen dat het zaagblad vastloopt en een mogelijke terugslag optreedt die kan leiden tot ernstig persoonlijk letsel.

Om lange werkstukken horizontaal te houden, zijn steunstangen aangebracht aan beide zijanten van het gereedschap. Draai de schroeven los en schuif de steunstangen uit naar de toepasselijke lengte voor het ondersteunen van het werkstuk. Draai daarna de schroeven vast.

► Fig.42: 1. Steunstang 2. Schroef

BEDIENING

WAARSCHUWING: Zorg ervoor dat het zaagblad niet in aanraking is met het werkstuk e.d. voordat u de schakelaar indrukt. Wanneer u het gereedschap inschakelt terwijl het zaagblad reeds het werkstuk aanraakt, kan dat leiden tot een terugslag en ernstig persoonlijk letsel.

WAARSCHUWING: Nadat u klaar bent met zagen mag u het handvat pas omhoog brengen nadat het zaagblad volledig tot stilstand is gekomen. Als u het handvat omhoog brengt terwijl het zaagblad nog ronddraait, kan dat leiden tot ernstig persoonlijk letsel en schade aan het werkstuk.

WAARSCHUWING: Voer geen afstellingen op het gereedschap uit, zoals het draaien van de handgreep, knop en hendels, terwijl het zaagblad draait. Afstellen terwijl het zaagblad draait, kan leiden tot ernstig persoonlijk letsel.

KENNISGEVING: Vergeet niet vóór gebruik de aanslagpen naar buiten te trekken op het handvat uit de onderste stand te ontgrendelen.

KENNISGEVING: Oefen tijdens het zagen geen overmatige druk op het handvat uit. Wanneer u te hard drukt, kan de motor overbelast raken en/of de zaagefficiëntie afnemen. Druk alleen zo hard als nodig is voor soepel zagen zonder dat het toerental van het zaagblad aanzienlijk vermindert.

KENNISGEVING: Druk het handvat zachtjes naar beneden om te zagen. Als u het handvat met kracht omlaag drukt of zijwaartse druk erop uitoefent, kan het zaagblad gaan trillen en een vlek (brandplek) op het werkstuk achterlaten, en kan ook de zaagsnede minder nauwkeurig zijn.

KENNISGEVING: Voor schuivend zagen duwt u de zaagslede langzaam en zonder te stoppen naar de geleider. Als de beweging van de slede tijdens het zagen wordt gestopt, zal een vlek op het werkstuk ontstaan en zal de zaagsnede minder nauwkeurig zijn.

Rechtzagen

WAARSCHUWING: Vergrendel altijd de schuifbeweging van de slede wanneer rechtzagen wordt uitgevoerd. Door te zagen zonder vergrendeling kan een terugslag worden veroorzaakt, wat kan leiden tot ernstig persoonlijk letsel.

Werkstukken tot 68 mm hoog en 160 mm breed kunnen op de volgende manier worden gezaagd:

► Fig.43: 1. Aanslagpen

1. Duw de slede helemaal naar de geleider en vergrendel hem met behulp van de aanslagpen.
2. Klem het werkstuk vast met het juiste type spanschroef.
3. Schakel het gereedschap in zonder dat het zaagblad met het werkstuk in contact is, en wacht totdat het zaagblad op maximaal toerental draait.
4. Breng het handvat langzaam omlaag naar de laagste positie om het werkstuk te zagen.
5. Nadat de zaagsnede klaar is, schakelt u het gereedschap uit en wacht u tot het zaagblad volledig tot stilstand is gekomen voordat u het zaagblad omhoog brengt tot in de hoogste positie.

Schuivend (duwend) zagen (zagen van brede werkstukken)

WAARSCHUWING: Bij het schuivend zagen, trekt u eerst de slede helemaal naar u toe en brengt u het handvat helemaal omlaag, waarna u de slede helemaal naar de geleider duwt. Begin nooit met zagen zonder de slede helemaal naar u toe te trekken. Als u schuivend zaagt zonder dat de slede helemaal naar u toe is getrokken, kan een onverwachte terugslag optreden die kan leiden tot ernstig persoonlijk letsel.

WAARSCHUWING: Probeer nooit schuivend te zagen terwijl u de slede naar u toe trekt. Door de slede zagend naar u toe te trekken, kan een onverwachte terugslag optreden die kan leiden tot ernstig persoonlijk letsel.

WAARSCHUWING: Schuivend zagen mag nooit worden uitgevoerd terwijl het handvat in de laagste positie is vergrendeld.

► Fig.44: 1. Aanslagpen

1. Ontgrendel de aanslagpen zodat de slede vrij kan schuiven.
2. Klem het werkstuk vast met het juiste type spanschroef.
3. Trek de slede helemaal naar u toe.
4. Schakel het gereedschap in zonder dat het zaagblad met het werkstuk in contact is en wacht totdat het zaagblad op maximaal toerental draait.
5. Duw het handvat omlaag en duw de slede zo ver mogelijk naar de geleider en door het werkstuk.
6. Nadat de zaagsnede klaar is, schakelt u het gereedschap uit en wacht u tot het zaagblad volledig tot stilstand is gekomen voordat u het zaagblad omhoog brengt tot in de hoogste positie.

Verstekzagen

Zie het gedeelte "Instellen van de verstekhoek" hierboven.

Schuin zagen

⚠️ WAARSCHUWING: Nadat het zaagblad is ingesteld op een schuine snede, controleert u of de slede en het zaagblad vrij kunnen bewegen over de hele lengte van de te maken zaagsnede voordat u het gereedschap bedient. Wanneer de beweging van de slede of het zaagblad tijdens het zagen wordt onderbroken, kan een terugslag worden veroorzaakt die kan leiden tot ernstig persoonlijk letsel.

⚠️ WAARSCHUWING: Houd bij het maken van een schuine snede uw handen uit de buurt van het pad van het zaagblad. De hoek van het zaagblad kan verwarrend werken op de gebruiker met betrekking tot het werkelijke zaagpad dat tijdens het zagen beschreven wordt, en aanraking van het zaagblad zal leiden tot ernstig persoonlijk letsel.

⚠️ WAARSCHUWING: Het zaagblad mag niet omhoog gebracht worden voordat het volledig tot stilstand is gekomen. Tijdens het zagen van een schuine snede kan het afgezaagde deel van het werkstuk tegen het zaagblad aanliggen. Als het zaagblad omhoog wordt gebracht terwijl het nog rond-draait, kan het afgezaagde deel door het zaagblad weggeslingerd worden waardoor het uiteenvalt en ernstig persoonlijk letsel kan veroorzaken.

KENNISGEVING: Wanneer u het handvat omlaag drukt, dient u druk uit te oefenen evenwijdig met het zaagblad. Indien u verticale druk op het draaibaar voetstuk uitoefent of de drukrichting tijdens het zagen verandert, zal de zaagsnede minder nauwkeurig zijn.

► Fig.45

1. Verwijder de bovenste geleider aan de kant waar naar u de slede gaat kantelen.
2. Ontgrendel de aanslagpen.
3. Stel de schuine hoek in overeenkomstig de procedure beschreven in het gedeelte "Afstellen van de schuine hoek". Draai daarna de knop vast.
4. Zet het werkstuk vast met een spanschroef.
5. Trek de slede helemaal naar u toe.
6. Schakel het gereedschap in zonder dat het zaagblad met het werkstuk in contact is en wacht totdat het zaagblad op maximaal toerental draait.
7. Breng dan het handvat langzaam omlaag naar de laagste positie terwijl u druk uitoefent parallel aan het zaagblad en **duw de slede zo ver mogelijk naar de geleider om het werkstuk te zagen.**
8. Nadat de zaagsnede klaar is, schakelt u het gereedschap uit en **wacht u tot het zaagblad volledig tot stilstand is gekomen** voordat u het zaagblad omhoog brengt tot in de hoogste positie.

Gecombineerd zagen

Gecombineerd zagen betekent dat het werkstuk tegelijk met een schuine hoek en een verstekhoek wordt gezaagd. Gecombineerd zagen is mogelijk voor de hoeken aangegeven in de onderstaande tabel.

| Verstekhoek | Schuine hoek |
|--------------------------|--------------------------|
| Links en rechts 0° - 45° | Links en rechts 0° - 45° |

Voor de bedieningen voor gecombineerd zagen, zie de beschrijvingen onder "Rechtzagen", "Schuivend (duwend) zagen", "Verstekzagen" en "Schuin zagen".

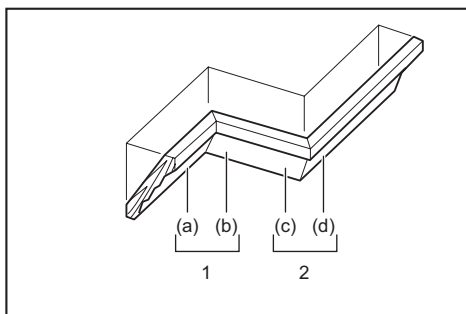
Kroon-profiellijsten en kwarthol-profiellijsten zagen

Kroon-profiellijsten en kwarthol-profiellijsten kunnen worden gezaagd op een gecombineerd-verstekzaag waarbij de sierlijsten plat op het draaibaar voetstuk liggen.

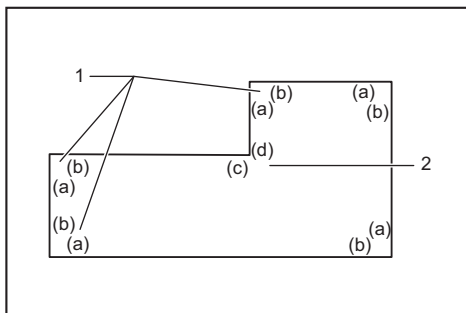
Er zijn twee veelvoorkomende typen kroon-profiellijsten en één veelvoorkomend type kwarthol-profiellijsten: kroon-profiellijsten met een wandhoek van 52/38°, kroon-profiellijsten met een wandhoek van 45°, en kwarthol-profiellijsten met een wandhoek van 45°.

► **Fig.46:** 1. Kroon-profiellijst met een wandhoek van 52/38° 2. Kroon-profiellijst met een wandhoek van 45° 3. Kwarthol-profiellijst met een wandhoek van 45°

Er zijn verbindingen van kroon-profiellijsten en van kwarthol-profiellijsten die passen in binnenhoeken van 90° (zie (a) en (b) in de afb.), en om buitenboeken van 90° (zie (c) en (d) in de afb.).



1. Binnenhoek 2. Buitenhoek



1. Binnenhoek 2. Buitenhoek

Opmeten

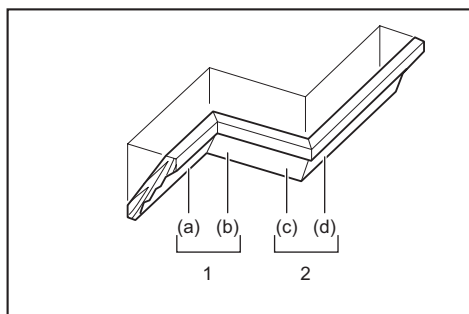
Meet de breedte van de wand, en pas de breedte van het werkstuk daarop aan. Zorg er altijd voor dat de breedte van het raakvlak met de wand van het werkstuk hetzelfde is als de breedte van de wand.

- **Fig.47:** 1. Werkstuk 2. Breedte van de wand
3. Breedte van het werkstuk 4. Raakvlak met de wand

Gebruik altijd meerdere proefwerkstukken om de benodigde zaaghoek te controleren.

Bij het zagen van kroon-profiellijsten en kwarthol-profiellijsten stelt u de verstekhoek en schuine hoek in, zoals aangegeven in tabel (A), en legt u de sierlijst op het bovenoppervlak van het draaibaar voetstuk, zoals aangegeven in tabel (B).

Voor een linker schuine zaagsnede



1. Binnenhoek 2. Buitenhoek

Tabel (A)

| - | Gedeelte van de profiellijst in de afbeelding | Schuine hoek | | Verstekhoek | |
|------------|---|--------------|-----------|--------------|--------------|
| | | Hoek 52/38° | Hoek 45° | Hoek 52/38° | Hoek 45° |
| Binnenhoek | (a) | Links 33,9° | Links 30° | Rechts 31,6° | Rechts 35,3° |
| | (b) | | | Links 31,6° | Links 35,3° |
| Buitenhoek | (c) | | | Rechts 31,6° | Rechts 35,3° |
| | (d) | | | | |

Tabel (B)

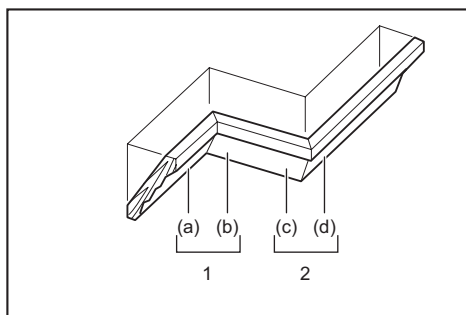
| - | Gedeelte van de profiellijst in de afbeelding | Kant van de sierlijst die tegen de geleider moet liggen | Afgewerkt werkstuk |
|------------|---|--|---|
| Binnenhoek | (a) | Kant die tegen het plafond komt moet tegen de geleider liggen. | Het afgewerkte werkstuk ligt aan de linkerkant van het zaagblad. |
| | (b) | Kant die tegen de wand komt moet tegen de geleider liggen. | |
| Buitenhoek | (c) | Kant die tegen het plafond komt moet tegen de geleider liggen. | Het afgewerkte werkstuk ligt aan de rechterkant van het zaagblad. |
| | (d) | Kant die tegen het plafond komt moet tegen de geleider liggen. | |

Voorbeeld:

In het geval u een kroon-profiellijst zaagt van het type 52/38° voor gedeelte (a) in de bovenstaande afbeelding:

- Kantel de zaag naar de stand voor een schuine hoek van 33,9° LINKS.
- Stel een verstekhoek in van 31,6° RECHTS.
- Leg de kroon-profiellijst op het gereedschap met de achterkant (verborgen) naar onderen gericht op het draaibaar voetstuk en de KANT DIE TEGEN HET PLAFOND KOMT tegen de geleider.
- Het afgewerkte werkstuk dat u gaat gebruiken ligt altijd LINKS van het zaagblad nadat het zagen klaar is.

Voor een rechter schuine zaagsnede



1. Binnenhoek 2. Buitenhoek

Tabel (A)

| – | Gedeelte van de profiellijst in de afbeelding | Schuine hoek | | Verstekhoek | |
|------------|---|--------------|------------|--------------|--------------|
| | | Hoek 52/38° | Hoek 45° | Hoek 52/38° | Hoek 45° |
| Binnenhoek | (a) | Rechts 33,9° | Rechts 30° | Rechts 31,6° | Rechts 35,3° |
| | (b) | | | Links 31,6° | Links 35,3° |
| Buitenhoek | (c) | | | Rechts 31,6° | Rechts 35,3° |
| | (d) | | | | |

Tabel (B)

| – | Gedeelte van de profiellijst in de afbeelding | Kant van de sierlijst die tegen de geleider moet liggen | Afgewerkt werkstuk |
|------------|---|--|---|
| Binnenhoek | (a) | Kant die tegen de wand komt moet tegen de geleider liggen. | Het afgewerkte werkstuk ligt aan de rechterkant van het zaagblad. |
| | (b) | Kant die tegen het plafond komt moet tegen de geleider liggen. | |
| Buitenhoek | (c) | Kant die tegen de wand komt moet tegen de geleider liggen. | Het afgewerkte werkstuk ligt aan de linkerkant van het zaagblad. |
| | (d) | Kant die tegen de wand komt moet tegen de geleider liggen. | |

Voorbeeld:

In het geval u een kroon-profiellijst zaagt van het type 52/38° voor gedeelte (a) in de bovenstaande afbeelding:

- Kantel de zaagkop en zet hem vast op de instelling voor een schuine hoek van 33,9° RECHTS.
- Stel een verstekhoek in van 31,6° RECHTS.
- Leg de kroon-profiellijst op het gereedschap met de achterkant (verborgen) naar anderen gericht op het draaibaar voetstuk en de KANT DIE TEGEN DE WAND KOMT tegen de geleider.
- Het afgewerkte werkstuk dat u gaat gebruiken ligt altijd RECHTS van het zaagblad nadat de zaagsnede is gemaakt.

Kroon-profiellijstaanslag

Optioneel accessoire

Kroon-profiellijstaanslagen maken het gemakkelijker profiellijsten te zagen doordat het niet nodig is het zaagblad te kantelen. Breng deze aan op het draaibare voetstuk zoals aangegeven in de afbeelding.

Met een verstekhoek van 45° naar rechts

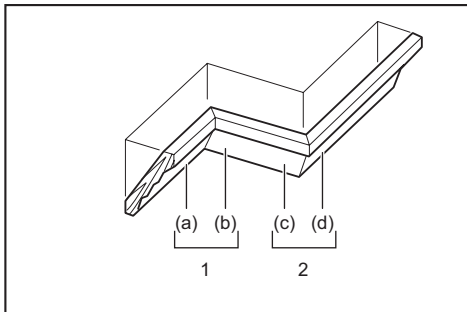
- Fig.48: 1. Kroon-profiellijstaanslag L 2. Kroon-profiellijstaanslag R 3. Draaibaar voetstuk 4. Geleider

Met een verstekhoek van 45° naar links

- Fig.49: 1. Kroon-profiellijstaanslag L 2. Kroon-profiellijstaanslag R 3. Draaibaar voetstuk 4. Geleider

Leg de kroon-profiellijst met de KANT DIE TEGEN DE WAND KOMT tegen de geleider en de KANT DIE TEGEN HET PLAFOND KOMT tegen de kroon-profiellijstaanslagen, zoals aangegeven in de afbeelding. Stel de kroon-profiellijstaanslagen in overeenkomstig het formaat van de kroon-profiellijst. Draai de schroeven vast om de kroon-profiellijstaanslagen vast te zetten. Raadpleeg tabel (C) voor de verstekhoek.

- Fig.50: 1. Geleider 2. Kroon-profiellijstaanslag



1. Binnenhoek 2. Buitenhoek

Tabel (C)

| – | Gedeelte van de profiellijst in de afbeelding | Verstekhoek | Afgewerkt werkstuk |
|------------|---|-------------|--------------------------------|
| Binnenhoek | (a) | Rechts 45° | Werkstuk rechts naast zaagblad |
| | (b) | Links 45° | Werkstuk links naast zaagblad |
| Buitenhoek | (c) | | Werkstuk rechts naast zaagblad |
| | (d) | Rechts 45° | Werkstuk links naast zaagblad |

Aluminiumprofielen zagen

- Fig.51: 1. Spanschroef 2. Vulblok 3. Geleider 4. Aluminiumprofiel 5. Vulblok

Als u een aluminiumprofiel wilt vastklemmen in de spanschroef, maakt u gebruik van vulblokken of stukken afvalhout, zoals aangegeven in de afbeelding, om te voorkomen dat het aluminiumprofiel vervormt. Gebruik snijolie als smeermiddel bij het zagen van een aluminiumprofiel om te voorkomen dat aluminiumslijpsel zich op het zaagblad ophoopt.

⚠WAARSCHUWING: Probeer nooit dikke of ronde aluminiumprofielen te zagen. Dikke of ronde aluminiumprofielen zijn moeilijk vast te zetten en kunnen tijdens het zagen loskomen, waardoor u de controle over het gereedschap kunt verliezen en ernstig persoonlijk letsel kan worden veroorzaakt.

Groeven zagen

⚠ WAARSCHUWING: Probeer niet dit type zaagsnede uit te voeren met een breder zaagblad of sokkelzaagblad. Als u probeert een groef te zagen met een breder zaagblad of een sokkelzaagblad, kan dat resulteren in een onverwacht zaagresultaat en een terugslag die kan leiden tot ernstig persoonlijk letsel.

⚠ WAARSCHUWING: Breng de aanslagarm terug naar zijn oorspronkelijke positie voor andere zaagbedieningen dan het zagen van groeven. Als u een zaagsnede probeert te zagen met de aanslagarm in de verkeerde positie, kan dat resulteren in een onverwacht zaagresultaat en een terugslag die kan leiden tot ernstig persoonlijk letsel.

U kunt als volgt een groef in een werkstuk zagen:

1. Stel de laagste positie van het zaagblad in met behulp van de stelschroef en de aanslagarm, om de zaagdiepte van het zaagblad te beperken. Zie het tekstdeel "Aanslagarm" hierboven.
2. Nadat de laagste positie van het zaagblad is ingesteld, kunt u evenwijdige groeven over de breedte van het werkstuk zagen door gebruik te maken van de methode voor schuivend (duwend) zagen.
▶ **Fig.52:** 1. Groeven zagen met het zaagblad
3. Verwijder het werkstukmateriaal tussen de groeven met behulp van een beitel.

Het gereedschap dragen

Verzeker u ervan dat de stekker uit het stopcontact is getrokken en alle beweegbare delen zijn vastgezet voordat u de verstekzaag draagt. Controleer altijd het volgende punten:

- De stekker van het gereedschap moet uit het stopcontact getrokken zijn.
- De slede moet ingesteld en vastgezet zijn op een schuine hoek van 0°.
- De slede moet omlaag gebracht en vergrendeld zijn.
- De slede moet helemaal naar de geleider geschoven en vergrendeld zijn.
- Het draaibare voetstuk moet in de stand voor maximale rechter verstekhoek staan en vergrendeld zijn.
- De steunstangen moeten ingeschoven en vastgezet zijn.

Draag het gereedschap door beide zijanten van de voetstuk van het gereedschap vast te houden, zoals aangegeven in de afbeelding.

▶ **Fig.53**

⚠ WAARSCHUWING: De aanslagen voor het omhoog brengen van de slede wordt alleen gebruikt voor het dragen en opbergen van het gereedschap en niet tijdens het zagen. Het gebruik van de aanslagen tijdens het zagen kan leiden tot onverwachte bewegingen van het zaagblad, wat kan leiden tot een terugslag en ernstig persoonlijk letsel.

⚠ LET OP: Zet alle bewegende onderdelen vast alvorens het gereedschap te dragen. Als tijdens het dragen onderdelen van het gereedschap bewegen of verschuiven, kunt u uw balans of de controle over het gereedschap verliezen, wat kan leiden tot persoonlijk letsel.

ONDERHOUD

⚠ WAARSCHUWING: Zorg altijd dat het gereedschap is uitgeschakeld en de stekker uit het stopcontact is getrokken alvorens te beginnen met onderhoud of inspectie. Als het gereedschap niet wordt uitgeschakeld en de stekker niet uit het stopcontact wordt getrokken, kan het gereedschap per ongeluk worden ingeschakeld, waardoor ernstig persoonlijk letsel kan worden veroorzaakt.

⚠ WAARSCHUWING: Zorg altijd dat het zaagblad scherp en schoon is om optimale en veilige prestaties te krijgen. Als u probeert te zagen met een bot en/of vuil zaagblad, kan een terugslag optreden die kan leiden tot ernstig persoonlijk letsel.

KENNISGEVING: Gebruik nooit benzine, wasbenzine, thinner, alcohol en dergelijke. Hierdoor kunnen verkleuring, vervormingen en barsten worden veroorzaakt.

Afstellen van de zaaghoek

Dit gereedschap werd in de fabriek nauwkeurig afgesteld en uitgelijnd, maar door ruwe behandeling kan de uitlijning ervan verslechterd zijn. Doe het volgende indien uw gereedschap niet meer juist is uitgelijnd:

Verstekhoek

Breng het handvat volledig omlaag en vergrendel het in de onderste stand met behulp van de aanslagen. Duw de slede helemaal naar de geleider. Draai de handgreep en de schroeven waarmee de wijzer en verstekhoekschaal zijn vastgezet, los.

▶ **Fig.54:** 1. Schroef op wijzer 2. Schroeven op verstekhoekschaal 3. Verstekhoekschaal

Zet het draaibare voetstuk in de stand 0° met behulp van de klikstopfunctie. Zet de zijkant van het zaagblad haaks op de voorzijde van de geleider met behulp van een geodriehoek of winkelhaak. Houd deze haaks en draai de schroeven op de verstekhoekschaal vast. Lijn daarna de wijzers (zowel links als rechts) uit met de stand 0° op de verstekhoekschaal en draai daarna de schroef op de wijzer vast.

▶ **Fig.55:** 1. Geodriehoek

Schuine hoek

Schuine hoek van 0°

Duw de slede naar de geleider en vergrendel de schuifbeweging met behulp van de aanslagen. Breng het handvat volledig omlaag en vergrendel het in de onderste stand met behulp van de aanslagen en draai daarna de knop los. Draai de stelbout voor 0° twee of drie slagen linksom om het zaagblad naar rechts te kantelen.

► **Fig.56:** 1. Stelbout voor 0° 2. Schroef

Zet met behulp van een geodriehoek, winkelhaak, enz., de zijkant van het zaagblad nauwkeurig haaks op het bovenoppervlak van het draaibare voetstuk door de stelbout voor 0° rechtsonder te draaien. Draai vervolgens de knop stevig vast om de ingestelde hoek van 0° vast te zetten.

► **Fig.57:** 1. Geodriehoek 2. Zaagblad
3. Bovenoppervlak van draaibaar voetstuk

Controleer opnieuw of de zijkant van het zaagblad haaks staat op het oppervlak van het draaibare voetstuk. Draai de schroef op de wijzer los. Lijn de wijzer uit met de stand 0° op de schuine-hoekschaal en draai daarna de schroef vast.

Schuine hoek van 45°

KENNISGEVING: Alvorens de schuine hoek van 45° af te stellen, voltooi u de afstelling van de schuine hoek van 0°.

Draai de knop los en kantel de slede volledig naar de kant die u wilt controleren. Controleer of de wijzer de stand 45° op de schuine-hoekschaal aanwijst.

► **Fig.58**

Als de wijzer niet de stand 45° aanwijst, lijnt u deze uit met de stand 45° door de stelbout aan de tegenovergestelde kant van de schuine-hoekschaal te draaien.

► **Fig.59:** 1. Stelbout voor 45° links 2. Stelbout voor 45° rechts

De positie van de laserlijn afstellen

Alleen voor model LS1019L

WAARSCHUWING: De stekker van het gereedschap moet in het stopcontact zitten tijdens het afstellen van de laserlijn. Wees extra voorzichtig het gereedschap niet in te schakelen tijdens het afstellen. Als het gereedschap per ongeluk start, kan dat leiden tot ernstig persoonlijk letsel.

LET OP: Kijk nooit rechtstreeks in de laserstraal. Rechtstreekse blootstelling van uw ogen aan de straal kan uw ogen ernstig beschadigen.

KENNISGEVING: Controleer de positie van de laserlijn regelmatig op nauwkeurigheid.

KENNISGEVING: Oefen geen schokken uit op het gereedschap. Hierdoor kan de uitlijning van de laserlijn verspringen of kan de laser beschadigd raken, waardoor de levensduur wordt verkort.

KENNISGEVING: Laat het gereedschap repareren door een erkend Makita-servicecentrum in geval van een storing van de lasereenheid.

Het verplaatsbare bereik van de laserlijn wordt bepaald door de bereikafstelschroeven aan beide kanten. Voer de volgende procedures uit om de positie van de laserlijn te veranderen.

1. Trek de stekker van het gereedschap uit het stopcontact.

2. Teken een zaaglijn op het werkstuk en plaats het op het draaibare voetstuk. Zet op dit moment het werkstuk niet vast met een spanschroef of soortgelijke vastzetinrichting.

3. Breng het handvat omlaag en lijn de zaaglijn uit met het zaagblad.

4. Breng het handvat terug naar zijn oorspronkelijke stand en zet het werkstuk vast met behulp van de verticale spanschroef zodat het werkstuk niet kan verschuiven uit de stand die u hebt bepaald.

5. Steek de stekker van het gereedschap in het stopcontact en schakel de laser in.

6. Draai de stelschroef los. Om de laserlijn verder van het zaagblad af te bewegen, draait u de bereikafstelschroef linksom. Om de laserlijn dichter naar het zaagblad toe te bewegen, draait u de bereikafstelschroef rechtsonder.

De laserlijn afstellen aan de linkerkant van het zaagblad

► **Fig.60:** 1. Stelschroef 2. Bereikafstelschroef
3. Inbussleutel 4. Laserlijn 5. Zaagblad

De laserlijn afstellen aan de rechterkant van het zaagblad

► **Fig.61:** 1. Stelschroef 2. Bereikafstelschroef
3. Inbussleutel 4. Laserlijn 5. Zaagblad

7. Schuif de stelschroef naar de stand waarin de laserlijn samenvalt met de zaaglijn, en draai hem daarna vast.

OPMERKING: Het bereik waarover de laserlijn kan worden verplaatst is in de fabriek ingesteld binnen 1 mm (0,04") vanaf de zijkant van het zaagblad.

De lens van de laser schoonmaken

Alleen voor model LS1019L

Het laserlicht is moeilijk zichtbaar wanneer de lens van de laser vuil is geworden. Maak de lens van de laser regelmatig schoon.

► **Fig.62:** 1. Schroef 2. Lens

Trek de stekker van het gereedschap uit het stopcontact. Draai de schroef los en trek de lens eruit. Reinig de lens voorzichtig met een vochtige, zachte doek.

KENNISGEVING: Verwijder de schroef waarmee de lens is bevestigd niet. Als de lens niet eruit komt, draait u de schroef verder los.

KENNISGEVING: Gebruik geen oplosmiddelen of op petroleum gebaseerde schoonmaakmiddelen op de lens.

De koolborstels vervangen

► **Fig.63:** 1. Slijtgrensmarkering

Verwijder en controleer de koolborstels regelmatig. Vervang deze wanneer ze tot aan de slijtgrensmarkering zijn afgesleten. Houd de koolborstels schoon en zorg ervoor dat ze vrij kunnen bewegen in de houders. Beide koolborstels dienen tegelijkertijd te worden vervangen. Gebruik alleen identieke koolborstels. Gebruik een schroevendraaier om de koolborsteldoppen te verwijderen. Haal de versleten koolborstels eruit, plaats de nieuwe erin, en zet de koolborsteldoppen goed vast.

► Fig.64: 1. Koolborsteldop

Nadat de koolborstels vervangen zijn, steekt u de stekker van het netsnoer in het stopcontact en laat u de koolborstels inlopen door het gereedschap gedurende 10 minuten onbelast te laten draaien. Test vervolgens de werking van het gereedschap tijdens het draaien, en de werking van de elektrische rem door de trekkerschaakelaar los te laten. Als de elektrische rem niet correct werkt, laat u het gereedschap repareren door een Makita-servicecentrum.

Na het gebruik

Veeg na gebruik alle zaagsel en stof op het gereedschap eraf met een doek of iets dergelijks. Houd de beschermkap schoon volgens de instructies die in de paragraaf "Beschermkap" werden beschreven. Smeer de schuivende delen in met machineolie om roestvorming te voorkomen.

Om de VEILIGHEID en BETROUWBAARHEID van het gereedschap te handhaven, dienen alle reparaties, onderhoud of afstellingen te worden uitgevoerd bij een erkend Makita-servicecentrum of de Makita-fabriek, en altijd met gebruik van Makita-vervangingsonderdelen.

OPTIONELE ACCESSOIRES

⚠WAARSCHUWING: Deze Makita-accessoires of hulpstukken worden aanbevolen voor gebruik met het Makita-gereedschap dat in deze gebruiksaanwijzing is beschreven. Het gebruik van enige andere accessoires of hulpstukken kan leiden tot ernstig persoonlijk letsel.

⚠WAARSCHUWING: Gebruik de Makita-accessoires of -hulpstukken uitsluitend voor de aangegeven gebruiksdoeleinden. Misbruik van een accessoire of hulpstuk kan leiden tot ernstig persoonlijk letsel.

Wenst u meer bijzonderheden over deze accessoires, neem dan contact op met het plaatselijke Makita-servicecentrum.

- Stalen en hardmetalen zaagbladen
- Verticale spanschroef
- Horizontale spanschroef
- Set kroon-profiellijstaanslagen
- Stofzak
- Geodriehoek
- Inbussleutel
- Inbussleutel (voor LS1019L)

OPMERKING: Sommige items op de lijst kunnen zijn inbegrepen in de doos van het gereedschap als standaard toebehoren. Deze kunnen van land tot land verschillen.

ESPECIFICACIONES

| Modelo: | | LS1019 | LS1019L |
|---|--------------------------------|----------------------------|---|
| Diámetro del disco | Países de Europa | 260 mm | |
| | Países aparte de los de Europa | 255 mm - 260 mm | |
| Diámetro del agujero | Países de Europa | 30 mm | |
| | Países aparte de los de Europa | 25,4 mm | |
| Grosor máximo de la hendidura del disco | | 3,2 mm | |
| Ángulo de inglete máximo | | Derecho 60°, Izquierdo 60° | |
| Ángulo de bisel máximo | | Derecho 48°, Izquierdo 48° | |
| Velocidad sin carga (RPM) | | 3.200 min ⁻¹ | |
| Tipo de láser | | - | Láser rojo 650 nm, Potencia máxima < 1,6 mW (Clase de láser 2M) |
| Dimensiones (La x An x Al) | | 805 mm x 644 mm x 660 mm | |
| Peso neto | | 26,1 kg | 26,3 kg |

Capacidades de corte (Al x An)

| Ángulo de inglete | Ángulo de bisel | | |
|---------------------------|----------------------------------|----------------------------------|----------------------------------|
| | 45° (izquierdo) | 0° | 45° (derecho) |
| 0° | 42 mm x 310 mm 58 mm x 279 mm | 68 mm x 310 mm 91 mm x 279 mm | 29 mm x 310 mm 43 mm x 279 mm |
| 45° (derecho e izquierdo) | 42 mm x 218 mm 58 mm x 197 mm | 68 mm x 218 mm 91 mm x 197 mm | 29 mm x 218 mm 43 mm x 197 mm |
| 60° (derecho e izquierdo) | - | 68 mm x 155 mm 91 mm x 139 mm | - |




Capacidades de corte para cortes especiales


| Tipo de corte | Capacidad de corte |
|--|--------------------|
| Tipo moldura corona 45° (usando con tope de moldura corona) | 168 mm |
| Placa base (usando con mordaza horizontal) | 133 mm |


- Debido a nuestro continuado programa de investigación y desarrollo, las especificaciones aquí dadas están sujetas a cambios sin previo aviso.
- Las especificaciones pueden ser diferentes de país a país.
- Peso de acuerdo con el procedimiento EPTA 01/2014


Símbolos


A continuación se muestran los símbolos utilizados con este equipo. Asegúrese de que entiende su significado antes de usarlo.

| | |
|--|---|
|  | Lea el manual de instrucciones. |
|  | DOBLE AISLAMIENTO |
|  | Para evitar heridas causadas por restos que salen volando, siga sujetando el cabezal de la sierra en posición bajada, después de hacer cortes, hasta que el disco se haya parado completamente. |

 Cuando vaya a realizar un corte de deslizamiento, primero tire del carro completamente y presione hacia abajo la empuñadura, después empuje el carro hacia la guía lateral.

 No ponga la mano o los dedos cerca del disco.

 No mire nunca al haz de láser. El haz de láser directo puede herir sus ojos.

 Solamente para países de la UE ¡No deseche los aparatos eléctricos junto con los residuos domésticos! De conformidad con la Directiva Europea, sobre residuos de aparatos eléctricos y electrónicos y su aplicación de acuerdo con la legislación nacional, los aparatos eléctricos cuya vida útil haya llegado a su fin deberán ser recogidos por separado y trasladados a una planta de reciclaje que cumpla con las exigencias ecológicas.

Uso previsto

La herramienta ha sido prevista para hacer cortes precisos rectos y de inglete en madera. Con los discos apropiados, también se puede serrar aluminio.

Alimentación

La herramienta deberá ser conectada solamente a una fuente de alimentación de la misma tensión que la indicada en la placa de características, y solamente puede ser utilizada con alimentación de CA monofásica. La herramienta tiene doble aislamiento y puede, por lo tanto, utilizarse también en tomas de corriente sin conductor de tierra.

Ruido

El nivel de ruido A-ponderado típico determinado de acuerdo con la norma EN62841:

Modelo LS1019

Nivel de presión sonora (L_{pA}): 91 dB (A)
Nivel de potencia sonora (L_{WA}): 101 dB (A)
Error (K): 3 dB (A)

Modelo LS1019L

Nivel de presión sonora (L_{pA}): 91 dB (A)
Nivel de potencia sonora (L_{WA}): 101 dB (A)
Error (K): 3 dB (A)

⚠ ADVERTENCIA: Póngase protectores para oídos.

Vibración

El valor total de la vibración (suma de vectores triaxiales) determinado de acuerdo con la norma EN62841:

Modelo LS1019

Emisión de vibración (a_{h1}): 2,5 m/s² o menos
Error (K): 1,5 m/s²

Modelo LS1019L

Emisión de vibración (a_{h1}): 2,5 m/s² o menos
Error (K): 1,5 m/s²

NOTA: El valor de emisión de vibración declarado ha sido medido de acuerdo con el método de prueba estándar y se puede utilizar para comparar una herramienta con otra.

NOTA: El valor de emisión de vibración declarado también se puede utilizar en una valoración preliminar de exposición.

⚠ ADVERTENCIA: La emisión de vibración durante la utilización real de la herramienta eléctrica puede variar del valor de emisión declarado dependiendo de las formas en las que la herramienta sea utilizada.

⚠ ADVERTENCIA: Asegúrese de identificar medidas de seguridad para proteger al operario que estén basadas en una estimación de la exposición en las condiciones reales de utilización (teniendo en cuenta todas las partes del ciclo operativo como las veces cuando la herramienta está apagada y cuando está funcionando en vacío además del tiempo de gatillo).

Declaración CE de conformidad

Para países europeos solamente

La declaración CE de conformidad está incluida como Anexo A de esta manual de instrucciones.

ADVERTENCIAS DE SEGURIDAD

Advertencias de seguridad para herramientas eléctricas en general

⚠ ADVERTENCIA: Lea todas las advertencias de seguridad, instrucciones, ilustraciones y especificaciones provistas con esta herramienta eléctrica. Si no sigue todas las instrucciones indicadas abajo podrá resultar en una descarga eléctrica, un incendio y/o heridas graves.

Guarde todas las advertencias e instrucciones para futuras referencias.

El término "herramienta eléctrica" en las advertencias se refiere a su herramienta eléctrica de funcionamiento con conexión a la red eléctrica (con cable) o herramienta eléctrica de funcionamiento a batería (sin cable).

Instrucciones de seguridad para las sierras de inglete

1. Las sierras de inglete han sido previstas para cortar madera o productos semejantes a la madera, no han sido previstas para ser utilizadas con muelas de corte abrasivas para cortar materiales ferrosos tales como barras, vástagos, espárragos roscados, etc. El polvo abrasivo ocasiona que las partes móviles tal como el protector inferior se atasquen. Las chispas del corte abrasivo quemarán el protector inferior, la inserción de hendidura y otras partes de plástico.
2. Utilice abrazaderas para sostener la pieza de trabajo siempre que sea posible. Si sostiene la pieza de trabajo con la mano, deberá mantener la mano siempre a al menos 100 mm de cualquiera de los lados del disco. No utilice esta sierra para cortar piezas que sean demasiado pequeñas para ser fijadas firmemente o sujetadas con la mano. Si pone la mano demasiado cerca del disco, aumentará el riesgo de heridas producidas por el contacto con el disco.
3. La pieza de trabajo debe estar inmóvil y fijada o sujeta contra la guía y la mesa. No avance la pieza de trabajo hacia el disco o corte "a pulso" de ninguna forma. Las piezas de trabajo sin sujetar o moviéndose pueden ser lanzadas a grandes velocidades, causando heridas.

4. **Empuje la sierra a través de la pieza de trabajo. No tire de la sierra a través de la pieza de trabajo. Para hacer un corte, suba el cabezal de la sierra y tire de él hacia afuera por encima de la pieza de trabajo sin cortarla, ponga en marcha el motor, presione el cabezal de la sierra hacia abajo y empuje la sierra a través de la pieza de trabajo.** El cortar cuando se tira de la sierra es probable que ocasione que el disco se suba encima de la pieza de trabajo y lance violentamente el conjunto del disco hacia el operario.
 5. **No cruce nunca la mano sobre la línea de corte prevista ya sea por delante o por detrás del disco.** El sostener la pieza de trabajo con la "mano cruzada", por ejemplo, sujetando la pieza de trabajo por la derecha del disco con la mano izquierda o viceversa es muy peligroso.
- **Fig.1**
6. **No extienda ninguna de las manos por detrás de la guía hasta más cerca de 100 mm de cualquiera de los lados del disco, para retirar restos de madera, o por cualquier otra razón mientras el disco está girando.** La proximidad a su mano del disco girando puede no ser obvia y usted se puede herir gravemente.
 7. **Inspeccione su pieza de trabajo antes de cortar. Si la pieza de trabajo está curvada o combada, fíjela con la cara curvada exterior hacia la guía. Asegúrese siempre de que no hay holgura entre la pieza de trabajo, la guía y la mesa a lo largo de la línea del corte.** Las piezas de trabajo curvadas o combadas se pueden retorcer o cambiar de posición y pueden ocasionar que el disco girando se traben mientras corta. No debe haber clavos u objetos extraños en la pieza de trabajo.
 8. **No utilice la sierra hasta que la mesa esté despejada de todas las herramientas, restos de madera, etc., excepto la pieza de trabajo.** Los restos pequeños o trozos de madera sueltos u otros objetos que entren en contacto con el disco mientras está girando pueden salir lanzados a gran velocidad.
 9. **Corte solamente una pieza de trabajo al mismo tiempo.** Múltiples piezas de trabajo apiladas no se pueden fijar o sujetar debidamente y se pueden trabar en el disco o cambiar de posición durante el corte.
 10. **Asegúrese de que la sierra de inglete está montada o colocada sobre una superficie de trabajo nivelada y firme antes de utilizar.** Una superficie de trabajo nivelada y firme reduce el riesgo de que la sierra de inglete se vuelva inestable.
 11. **Planee su trabajo. Cada vez que cambie el ajuste del ángulo de bisel o inglete, asegúrese de que la guía ajustable esté ajustada correctamente para sostener la pieza de trabajo y que no va a interferir con el disco o el sistema de protección.** Sin "ENCENDER" la herramienta y sin pieza de trabajo encima de la mesa, mueva el disco a través de un corte simulado completo para asegurarse de que no va a haber interferencia o peligro de cortar la guía.
 12. **Proporcione un apoyo adecuado tales como extensiones de mesa, caballetes, etc., para una pieza de trabajo que sea más ancha o larga que la parte superior de la mesa.** Las piezas de trabajo más largas o anchas que la mesa de la sierra de inglete se pueden ladear si no se apoyan firmemente. Si la pieza cortada o la pieza de trabajo se ladea, podrá levantar el protector inferior o ser lanzada por el disco que está girando.
 13. **No utilice a otra persona como sustitución de una mesa de extensión o como apoyo adicional.** Un apoyo inestable de la pieza de trabajo puede ocasionar que el disco se traben o que la pieza de trabajo cambie de posición durante la operación de corte arrastrando a usted y al ayudante hacia el disco que está girando.
 14. **La pieza cortada no deberá ser empujada o presionada de ningún modo contra el disco que está girando.** Si se confina, por ejemplo, utilizando topes de longitud, la pieza cortada puede incrustarse contra el disco y ser lanzada violentamente.
 15. **Asegúrese siempre de utilizar una abrazadera o accesorio designado para sostener debidamente material redondo tales como vástagos o tubos.** Los vástagos tienen tendencia a rodar mientras están siendo cortados, ocasionando que el disco "muerda" y tire de la pieza de trabajo junto con su mano hacia el disco.
 16. **Deje que el disco alcance plena velocidad antes de que haga contacto con la pieza de trabajo.** Esto reducirá el riesgo de que la pieza de trabajo sea lanzada.
 17. **Si la pieza de trabajo o el disco se atasca, apague la sierra de inglete. Espere hasta que todas las partes móviles se detengan y desconecte la clavija de la fuente de alimentación y/o retire la batería.** Después realice la tarea de liberar el material atascado. Si continúa serrando con una pieza de trabajo atascada podrá ocasionar la pérdida de control o daños a la sierra de inglete.
 18. **Después de terminar el corte, libere el interruptor, mantenga el cabezal de la sierra bajado y espere hasta que el disco se detenga antes de retirar la pieza cortada.** El alargar la mano hasta cerca del disco que está girando por inercia es peligroso.
 19. **Sujete la empuñadura firmemente cuando haga un corte incompleto o cuando libere el interruptor antes de que el cabezal de la sierra esté completamente en la posición bajada.** La acción de frenado de la sierra puede ocasionar que el cabezal de la sierra sea arrastrado repentinamente hacia abajo, ocasionando un riesgo de heridas.
 20. **Utilice solamente el disco de sierra con el diámetro que está marcado en la herramienta o especificado en el manual.** La utilización de un disco de tamaño incorrecto puede afectar a la protección apropiada del disco o a la operación del protector lo que puede resultar en heridas personales graves.
 21. **Utilice solamente discos que tengan marcada una velocidad igual o mayor que la velocidad marcada en la herramienta.**
 22. **No utilice la sierra para cortar otra cosa que no sea madera, aluminio y materiales similares.**

23. (Para países de Europa solamente)
Utilice siempre el disco que cumpla con EN847-1.

Instrucciones adicionales

1. Haga el taller a prueba de niños utilizando candados.
2. No se ponga nunca encima de la herramienta. Si la herramienta se vuelca o si se hace contacto involuntario con el implemento de corte se podrán producir heridas graves.
3. No deje nunca la herramienta en marcha sin atender. Desconecte la alimentación. No deje la herramienta hasta que se haya detenido completamente.
4. No utilice la sierra sin los protectores puestos. Compruebe que el protector de disco se cierra debidamente antes de cada uso. No utilice la sierra si el protector de disco no se mueve libremente y se cierra instantáneamente. No sujete ni ate nunca el protector de disco en la posición abierta.
5. Mantenga las manos apartadas del recorrido del disco. Evite el contacto con cualquier disco cuando esté girando por inercia. Incluso entonces puede causar heridas graves.
6. No sujete ni ate nunca el protector de disco en la posición abierta.
7. Para reducir el riesgo de heridas, devuelva el carro a la posición trasera completa después de cada operación de corte cruzado.
8. Sujete siempre todas las partes móviles antes de transportar la herramienta.
9. El pasador de retención que bloquea el cabezal de corte en posición bajada es solamente para transportar y almacenar la herramienta y no para ninguna operación de corte.
10. Compruebe el disco cuidadosamente por si tiene grietas o daños antes de comenzar la operación. Reemplace el disco agrietado o dañado inmediatamente. La goma y resina de madera endurecida en los discos ralentiza la sierra y aumenta la posibilidad de que se produzca un retroceso brusco. Mantenga el disco limpio retirándolo primero de la herramienta, después límpielo con un eliminador de goma y resina, agua caliente o keroseno. No utilice nunca gasolina para limpiar el disco.
11. Cuando haga un corte de deslizamiento, podrá producirse un RETROCESO BRUSCO. Los RETROCESOS BRUSCOS se producen cuando el disco se trava en la pieza de trabajo durante una operación de corte y es conducido rápidamente hacia el operario. Puede resultar en pérdida de control y heridas graves. Si el disco comienza a trabarse durante una operación de corte, no continúe cortando y libere el interruptor inmediatamente.
12. Utilice solamente las bridas especificadas para esta herramienta.
13. Tenga cuidado de no dañar el eje, las bridas (en especial la superficie de instalación) o el perno. Los daños en estas piezas pueden resultar en rotura del disco.

14. Asegúrese de que la base giratoria está debidamente sujeta de forma que no se mueva durante la operación. Utilice los agujeros en la base para sujetar la sierra a una plataforma o banco de trabajo estable. No utilice NUNCA la herramienta donde la postura del operario no sea práctica.
15. Antes de activar el interruptor, asegúrese de que el bloqueo del eje está quitado.
16. Asegúrese de que el disco no toca la base giratoria cuando está en la posición más baja.
17. Sujete la empuñadura firmemente. Tenga presente que la sierra se mueve un poco hacia arriba y hacia abajo durante el inicio y la parada.
18. Asegúrese de que el disco no está tocando la pieza de trabajo antes de activar el interruptor.
19. Antes de utilizar la herramienta en la pieza de trabajo definitiva, déjela funcionar durante un rato. Observe para ver si se producen vibraciones o bamboleos que puedan indicar que el disco está mal instalado o mal equilibrado.
20. Detenga la operación inmediatamente si nota algo anormal.
21. No intente bloquear el gatillo en la posición "ACTIVADA".
22. Utilice siempre los accesorios recomendados en este manual. La utilización de accesorios incorrectos como muelas abrasivas puede ocasionar heridas.
23. Algunos materiales contienen sustancias químicas que pueden ser tóxicas. Tenga precaución para evitar la inhalación de polvo y el contacto con la piel. Siga los datos de seguridad del abastecedor del material.

Normas de seguridad adicionales para el láser

1. RADIACIÓN LÁSER, NO QUEDARSE MIRANDO AL HAZ O MIRAR DIRECTAMENTE CON INSTRUMENTOS ÓPTICOS, PRODUCTO LÁSER CLASE 2M.

GUARDE ESTAS INSTRUCCIONES.

⚠️ ADVERTENCIA: NO deje que la comodidad o familiaridad con el producto (a base de utilizarlo repetidamente) sustituya la estricta observancia de las normas de seguridad para el producto en cuestión. El MAL USO o el no seguir las normas de seguridad establecidas en este manual de instrucciones podrá ocasionar graves heridas personales.

DESCRIPCIÓN DE LAS PARTES

► Fig.2

| | | | | | | | |
|----|--|----|---|----|--|----|---|
| 1 | Barra deslizable | 2 | Pasador de retención (para deslizamiento del carro) | 3 | Mordaza vertical | 4 | Botón de liberación (para ángulo de bisel del lado derecho) |
| 5 | Soporte | 6 | Base giratoria | 7 | Puntero (para ángulo de inglete) | 8 | Escala de ángulo de inglete |
| 9 | Placa de corte | 10 | Caja del disco | 11 | Tornillo de ajuste (para línea láser) | 12 | Tornillo de ajuste de rango (para línea láser) |
| 13 | Protector de disco | 14 | Pomo (para ángulo de bisel) | 15 | Llave hexagonal | 16 | Tornillo de ajuste (para posición del límite inferior) |
| 17 | Perno de ajuste (para capacidad de corte máxima) | 18 | Brazo de retención | 19 | Palanca de bloqueo (para base giratoria) | 20 | Palanca de liberación (para base giratoria) |
| 21 | Mango (para base giratoria) | - | - | - | - | - | - |

► Fig.3

| | | | | | | | |
|----|--|----|---|----|---|----|---|
| 1 | Gatillo interruptor | 2 | Botón de desbloqueo | 3 | Agujero para candado | 4 | Interruptor (para línea láser) |
| 5 | Manguera (para extracción de polvo) | 6 | Pasador de retención (para elevación del carro) | 7 | Guía lateral (guía inferior) | 8 | Guía lateral (guía superior) |
| 9 | Bolsa de polvo | 10 | Perno de ajuste de 0° (para ángulo de bisel) | 11 | Escala de ángulo de bisel | 12 | Palanca de liberación (para ángulo de bisel de 48°) |
| 13 | Palanca de enganche (para ángulo de bisel) | 14 | Puntero (para ángulo de bisel) | 15 | Perno de ajuste de 45° (para ángulo de bisel) | - | - |

INSTALACIÓN

Instalación del mango

Rosque el eje roscado del mango en la base giratoria.

► Fig.4: 1. Mango 2. Base giratoria

Instalación de la manguera de extracción de polvo

Conecte la manguera de extracción de polvo a la herramienta como se muestra en la ilustración.

Asegúrese de que el codo y el manguito encajen debidamente en los conectores de la herramienta.

► Fig.5: 1. Manguera de extracción de polvo 2. Codo 3. Manguito 4. Conector

Montaje en un banco de trabajo

Cuando la herramienta sale de fábrica, la empuñadura está bloqueada en la posición bajada con el pasador de retención. Mientras baja la empuñadura ligeramente, tire del pasador de retención y gírelo 90°.

► Fig.6: 1. Posición bloqueada 2. Posición desbloqueada 3. Pasador de retención

Esta herramienta se deberá fijar con cuatro pernos en una superficie nivelada y estable utilizando los agujeros para pernos provistos en la base de la herramienta. Esto ayudará a evitar que se vuelque y pueda ocasionar heridas.

► Fig.7: 1. Perno

⚠ ADVERTENCIA: Asegúrese de que la herramienta no se moverá en la superficie de apoyo. El movimiento de la sierra de inglete en la superficie de apoyo mientras hace el corte puede resultar en la pérdida del control y heridas personales graves.

DESCRIPCIÓN DEL FUNCIONAMIENTO

⚠️ ADVERTENCIA: Asegúrese siempre de que la herramienta está apagada y desenchufada antes de ajustar o comprobar la función de la herramienta. El no apagar y desenchufar la herramienta puede resultar en heridas personales graves a causa de una puesta en marcha accidental.

Protector de disco

► **Fig.8:** 1. Protector de disco

Al bajar la empuñadura, el protector del disco se sube automáticamente. El protector se acciona por resorte por lo que retorna a su posición original cuando se completa el corte y se sube la empuñadura.

⚠️ ADVERTENCIA: No anule ni retire nunca el protector de disco ni el resorte que hay en el protector. Un disco expuesto como resultado de un protector anulado puede resultar en heridas personales graves durante la operación.

En beneficio de su seguridad personal, mantenga el protector de disco siempre en buen estado. Cualquier operación irregular del protector de disco deberá ser corregida inmediatamente. Compruebe para asegurarse de que el protector retorna accionado por resorte.

⚠️ ADVERTENCIA: No utilice nunca la herramienta si el protector de disco o el resorte está dañado, defectuoso o ha sido retirado. La utilización de la herramienta con protector dañado, defectuoso o retirado puede resultar en heridas personales graves.

Si el protector de disco transparente se ensucia, o si se adhiere a él serrín de tal forma que no pueda verse fácilmente el disco y/o la pieza de trabajo, desenchufe la sierra y limpie el protector cuidadosamente con un paño húmedo. No utilice disolventes ni ningún producto de limpieza a base de petróleo para limpiar el protector de plástico porque pueden causar daños al protector.

Si el protector de disco está especialmente sucio y la visión a través del protector se ve afectada, desenchufe la herramienta y utilice la llave suministrada para aflojar el perno de cabeza hueca hexagonal que sujeta la cubierta central. Afloje el perno de cabeza hueca hexagonal girándolo hacia la izquierda y suba el protector de disco y la cubierta central. Con el protector de disco en esta posición, la limpieza se puede hacer de forma más completa y eficiente. Cuando haya completado la limpieza, invierta el procedimiento de arriba y apriete el perno. No retire el resorte que sujeta el protector de disco. Si el protector de disco se descolora con el paso del tiempo o por la exposición a los rayos ultravioleta, póngase en contacto con el centro de servicio Makita para adquirir un protector nuevo. **NO ANULE NI RETIRE EL PROTECTOR.**

► **Fig.9:** 1. Cubierta central 2. Llave hexagonal 3. Protector de disco

Placas de corte

Esta herramienta se provee con placas de corte en la base giratoria para minimizar el desgarro en el lado de salida de un corte. Las placas de corte se ajustan en fábrica para que el disco no las toque. Antes de utilizar la herramienta, ajuste las placas de corte de la forma siguiente:

► **Fig.10:** 1. Placa de corte

► **Fig.11:** 1. Corte en bisel izquierdo 2. Corte recto 3. Corte en bisel derecho 4. Disco 5. Dientes del disco 6. Placa de corte

Primero, desenchufe la herramienta. Afloje todos los tornillos (2 en cada lado derecho e izquierdo) que sujetan las placas de corte hasta que las placas de corte aún puedan moverse fácilmente a mano. Baje la empuñadura completamente, después tire del pasador de retención y gírelo para bloquear la empuñadura en la posición bajada. Libere el pasador de retención de la barra deslizante y tire del carro hacia usted completamente. Ajuste las placas de corte de forma que justamente hagan contacto con los laterales de los dientes del disco. Apriete los tornillos delanteros (no los apriete mucho). Empuje el carro hacia la guía lateral completamente y ajuste las placas de corte de forma que justamente hagan contacto con los laterales de los dientes del disco. Apriete los tornillos traseros (no los apriete mucho).

Después de ajustar las placas de corte, libere el pasador de retención y suba la empuñadura. Después apriete todos los tornillos firmemente.

AVISO: Después de ajustar el ángulo de bisel asegúrese de que las placas de corte están ajustadas debidamente. El correcto ajuste de las placas de corte ayudará a proveer un apoyo adecuado de la pieza de trabajo reduciendo al mínimo el desgarro de la pieza de trabajo.

Para mantener la máxima capacidad de corte

Esta herramienta se ajusta en fábrica para lograr su capacidad de corte máxima para un disco 255 mm o 260 mm.

Cuando instale un disco nuevo, compruebe siempre la posición límite inferior del disco, y si es necesario, ajústela de la forma siguiente:

Primero, desenchufe la herramienta. Gire la palanca del retenedor hasta la posición accionada.

► **Fig.12:** 1. Palanca del retenedor

Empuje el carro a tope hacia la guía lateral y baje la empuñadura completamente. Ajuste la posición del disco girando el perno de ajuste con la llave hexagonal. La periferia del disco deberá prolongarse ligeramente por debajo de la parte superior de la base giratoria y también llegar al punto donde la cara frontal de la guía lateral se encuentra con la parte superior de la base giratoria.

► **Fig.13:** 1. Perno de ajuste

► **Fig.14:** 1. Parte superior de la base giratoria 2. Periferia del disco 3. Guía lateral

Con la herramienta desenchufada, gire el disco con la mano mientras mantiene la empuñadura bajada completamente para asegurarse de que el disco no hace contacto con ninguna parte de la base inferior. Reajuste ligeramente, si es necesario. Después de ajustar, devuelva siempre la palanca del retenedor a la posición original.

⚠ADVERTENCIA: Después de instalar un disco nuevo y con la herramienta desenchufada, asegúrese siempre de que el disco no hace contacto con ninguna parte de la base inferior cuando la empuñadura está bajada completamente. Si un disco hace contacto con la base podrá ocasionar un retroceso brusco y resultar en heridas personales graves.

Brazo de retención

La posición del límite inferior del disco puede ajustarse fácilmente con el brazo de retención. Para ajustarla, gire el brazo de retención en la dirección de la flecha como se muestra en la figura. Gire el tornillo de ajuste de forma que el disco se pare en la posición deseada cuando baje la empuñadura completamente.

► **Fig.15:** 1. Brazo de retención 2. Tornillo de ajuste

Ajuste del ángulo de inglete

⚠PRECAUCIÓN: Después de cambiar el ángulo de inglete, sujete siempre la base giratoria apretando el mango completamente.

AVISO: Cuando vaya a girar la base giratoria, asegúrese de subir la empuñadura completamente.

► **Fig.16:** 1. Palanca de bloqueo 2. Mango 3. Palanca de liberación 4. Puntero

Gire el mango hacia la izquierda para desbloquear la base giratoria. Gire el mango mientras mantiene bajada la palanca de bloqueo para mover la base giratoria. Alinee el puntero con el ángulo que desea en la escala y después apriete el mango.

NOTA: Si presiona la palanca de liberación, podrá mover la base giratoria sin mantener bajada la palanca de bloqueo. Apriete el mango en la posición que desea.

Esta sierra de inglete emplea la función de parada positiva. Puede ajustar un ángulo de inglete izquierdo/derecho de 0°, 15°, 22,5°, 31,6°, 45°, y 60° rápidamente. Para utilizar esta función, mueva la base giratoria hasta cerca del ángulo de parada positiva deseado mientras mantiene bajada la palanca de bloqueo. Después libere la palanca de bloqueo y mueva la base giratoria hacia adelante hasta que la base giratoria esté bloqueada.

Ajuste del ángulo de bisel

AVISO: Retire siempre las guías laterales superiores y la mordaza vertical antes de ajustar el ángulo de bisel.

AVISO: Cuando cambie ángulos de bisel, asegúrese de posicionar las placas de corte debidamente como se explica en la sección "Placas de corte".

AVISO: Cuando incline el disco, asegúrese de subir la empuñadura completamente.

1. Gire el pomo de la barra deslizable hacia la izquierda.

► **Fig.17:** 1. Pomo

2. Tire de la palanca de enganche y gírela hasta la posición mostrada en la ilustración.

► **Fig.18:** 1. Palanca de enganche

3. Haga coincidir el puntero con el ángulo que desea en la escala moviendo el carro y después apriete el pomo.

► **Fig.19:** 1. Escala de ángulo de bisel 2. Puntero

Para inclinar el carro hacia la derecha, incline el carro hacia la izquierda ligeramente y después inclínelo hacia la derecha mientras mantiene presionado el botón de liberación.

► **Fig.20:** 1. Botón de liberación

Si hace un corte en bisel de más de 45°, mueva el carro mientras desliza la palanca de liberación hacia la parte frontal de la herramienta. Puede realizar cortes en bisel de hasta 48°.

► **Fig.21:** 1. Palanca de liberación

Esta sierra de inglete emplea la función de parada positiva. Puede ajustar los ángulos de 22,5° y 33,9° hacia la izquierda o derecha rápidamente. Ajuste la palanca de enganche en la posición mostrada en la ilustración e incline el carro. Para cambiar el ángulo, tire de la palanca de enganche e incline el carro.

► **Fig.22:** 1. Palanca de enganche

⚠PRECAUCIÓN: Después de cambiar el ángulo de bisel, sujete siempre el pomo.

Bloqueo de deslizamiento

Para bloquear el movimiento de deslizamiento del carro, empuje el carro hacia la guía lateral hasta que se detenga. Tire del pasador de retención y gírelo 90°.

► **Fig.23:** 1. Posición desbloqueada 2. Posición bloqueada 3. Pasador de retención

Accionamiento del interruptor

⚠ADVERTENCIA: Antes de enchufar la herramienta, compruebe siempre para cerciorarse de que el gatillo interruptor se acciona debidamente y que vuelve a la posición “apagada” cuando lo suelta. No apriete con fuerza el gatillo interruptor sin presionar hacia dentro el botón de desbloqueo. Podría romper el interruptor. La utilización de una herramienta con un interruptor que no se acciona debidamente puede resultar en la pérdida de control y heridas personales graves.

⚠ADVERTENCIA: No utilice NUNCA la herramienta si el gatillo interruptor no funciona perfectamente bien. Cualquier herramienta con un interruptor que no funciona bien es MUY PELIGROSA y deberá ser reparada antes de seguir utilizándola o podrán producirse heridas personales graves.

⚠ADVERTENCIA: No anule NUNCA la función del botón de desbloqueo sujetándolo con cinta adhesiva o alguna otra manera. Un interruptor con un botón de desbloqueo anulado puede resultar en una puesta en marcha involuntaria y a heridas personales graves.

⚠ADVERTENCIA: No utilice NUNCA la herramienta si se pone en marcha cuando usted simplemente aprieta el gatillo interruptor sin presionar el botón de desbloqueo. Un interruptor con necesidad de reparación puede resultar en una puesta en marcha involuntaria y a heridas personales graves. Lleve la herramienta a un centro de servicio Makita para que le hagan las reparaciones apropiadas ANTES de seguir utilizándola.

► Fig.24: 1. Gatillo interruptor 2. Botón de desbloqueo 3. Agujero para candado

Para evitar que el gatillo interruptor pueda accionarse accidentalmente, se ha provisto un botón de desbloqueo. Para poner en marcha la herramienta, presione hacia dentro el botón de desbloqueo y apriete el gatillo interruptor. Suelte el gatillo interruptor para parar. En el gatillo interruptor se ha provisto un agujero para insertar un candado a fin de bloquear la herramienta en posición apagada.

⚠ADVERTENCIA: No utilice un candado con un fuste o cable de menos de 6,35 mm (1/4") de diámetro. Un fuste o cable más pequeño podrá no bloquear debidamente la herramienta en la posición apagada y es posible que se produzca una puesta en marcha involuntaria resultando en heridas personales graves.

Función electrónica

Control de velocidad constante

La herramienta está provista de un control de velocidad electrónico que ayuda a mantener una velocidad constante de giro del disco incluso bajo carga. Una velocidad constante de giro del disco resultará en un corte muy uniforme.

Característica de inicio suave

Esta función permite un inicio suave de la herramienta limitando el par de inicio.

Acción del haz de láser

Para el modelo LS1019L solamente

⚠PRECAUCIÓN: No mire nunca al haz de láser. El haz de láser directo puede herir sus ojos.

Para encender el haz de láser, presione la posición superior (I) del interruptor. Para apagar el haz de láser, presione la posición inferior (O) del interruptor.

► Fig.25: 1. Interruptor para láser

La línea láser se puede desplazar hacia el lado izquierdo o derecho del disco girando el tornillo de ajuste de la forma siguiente.

► Fig.26: 1. Tornillo de ajuste

1. Afloje el tornillo de ajuste girándolo hacia la izquierda.
2. Con el tornillo de ajuste aflojado, deslice el tornillo de ajuste hacia la derecha o hacia la izquierda a tope.
3. Apriete el tornillo de ajuste firmemente en la posición donde deja de deslizarse.

NOTA: La línea láser se ajusta en fábrica de forma que queda posicionada dentro de 1 mm de la superficie lateral del disco (posición de corte).

NOTA: Cuando la línea láser aparezca atenuada y difícil de ver debido a la luz solar directa, vuelva a colocar el área de trabajo en un lugar donde haya menos luz solar directa.

Alineación de la línea láser

Alinee la línea de corte de su pieza de trabajo con la línea láser.

► Fig.27

A) Cuando quiera obtener el tamaño correcto en el lado izquierdo de la pieza de trabajo, desplace la línea láser hacia la izquierda del disco.

B) Cuando quiera obtener el tamaño correcto en el lado derecho de la pieza de trabajo, desplace la línea láser hacia la derecha del disco.

NOTA: Utilice guarnición de madera contra la guía lateral cuando alinee la línea de corte con la línea láser en el lado de la guía lateral en corte compuesto (ángulo de bisel de 45° y ángulo de inglete derecho de 45°).

MONTAJE

⚠ADVERTENCIA: Asegúrese siempre de que la herramienta está apagada y desenchufada antes de trabajar en la herramienta. El no apagar y desenchufar la herramienta podrá resultar en heridas personales graves.

Para guardar la llave hexagonal

Cuando no la esté utilizando, coloque la llave hexagonal como se muestra en la figura para evitar perderla.

► **Fig.28:** 1. Llave hexagonal

Desmontaje e instalación del disco

⚠ADVERTENCIA: Asegúrese siempre de que la herramienta está apagada y desenchufada antes de instalar o desmontar el disco. Una puesta en marcha involuntaria de la herramienta puede resultar en heridas personales graves.

⚠ADVERTENCIA: Utilice solamente la llave Makita provista para instalar o retirar el disco.

El no utilizar la llave puede resultar en un apriete excesivo o insuficiente del perno de cabeza hueca hexagonal y heridas personales graves.

Bloquee siempre el carro en la posición subida cuando retire o instale el disco. Tire del pasador de retención y gírelo 90° con el carro subido.

► **Fig.29:** 1. Posición desbloqueada 2. Posición bloqueada 3. Pasador de retención

Desmontaje del disco

Afloje el perno de cabeza hueca hexagonal que sujeta la cubierta central utilizando la llave hexagonal. Suba el protector de disco y la cubierta central.

► **Fig.30:** 1. Cubierta central 2. Llave hexagonal 3. Protector de disco

Presione el bloqueo del eje para bloquear el mandril y utilice la llave hexagonal para aflojar el perno de cabeza hueca hexagonal. Después retire el perno de cabeza hueca hexagonal, la brida exterior y el disco.

► **Fig.31:** 1. Bloqueo del eje 2. Llave hexagonal 3. Perno de cabeza hueca hexagonal (rosca hacia la izquierda) 4. Aflojar 5. Apretar

Instalación del disco

Monte el disco con cuidado en el mandril, asegurándose de que la dirección de la flecha en la superficie del disco coincide con la dirección de la flecha en la caja del disco.

► **Fig.32:** 1. Flecha en la caja del disco 2. Flecha en el disco

Instale la brida exterior y el perno de cabeza hueca hexagonal. Apriete el perno de cabeza hueca hexagonal hacia la izquierda utilizando la llave hexagonal mientras presiona el bloqueo del eje.

► **Fig.33:** 1. Perno de cabeza hueca hexagonal 2. Brida exterior 3. Disco 4. Brida interior 5. Eje 6. Anillo

AVISO: Si retira la brida interior, asegúrese de instalarla en el mandril con su protuberancia orientada hacia afuera del disco. Si la brida está instalada incorrectamente, rozará contra la máquina.

Devuelva el protector de disco y la cubierta central a sus posiciones originales. Después apriete el perno de cabeza hueca hexagonal hacia la derecha para sujetar la cubierta central. Desbloquee el pasador de retención para liberar el carro de la posición subida. Baje la empuñadura para asegurarse de que el protector de disco se mueve debidamente. Asegúrese de que el bloqueo del eje ha liberado el mandril antes de hacer el corte.

⚠ADVERTENCIA: Antes de montar el disco en el mandril, asegúrese siempre de que el anillo correcto para el agujero de eje del disco que piensa utilizar está instalado entre las bridas interior y exterior. La utilización de un anillo para agujero de eje incorrecto puede resultar en un montaje incorrecto del disco ocasionando movimiento del disco y vibración fuerte resultando en una posible pérdida de control durante la operación y en heridas personales graves.

Conexión de un aspirador

Cuando quiera realizar una operación de corte limpia, conecte un aspirador Makita a la boquilla de polvo utilizando un manguito delantero de 24 (acesorio opcional).

► **Fig.34:** 1. Manguito delantero de 24 2. Manguera 3. Aspirador

Bolsa de polvo

La utilización de la bolsa de polvo permite realizar operaciones de corte limpias y la recogida de polvo de forma fácil. Para colocar la bolsa de polvo, retire la manguera de extracción de polvo de la herramienta y conecte la bolsa de polvo.

► **Fig.35:** 1. Manguera de extracción de polvo 2. Bolsa de polvo

Cuando la bolsa de polvo esté medio llena, retírela de la herramienta y abra el cierre. Vacíe la bolsa de polvo golpeándola ligeramente con objeto de retirar las partículas adheridas en el interior para que no impidan la posterior recogida de polvo.

► **Fig.36:** 1. Cierre

Sujeción de la pieza de trabajo

⚠ ADVERTENCIA: Es muy importante sujetar siempre la pieza de trabajo correctamente con el tipo apropiado de mordaza o topes de moldura corona. El no hacerlo puede resultar en heridas personales graves y ocasionar daños a la herramienta y/o la pieza de trabajo.

⚠ ADVERTENCIA: Después de una operación de corte no suba el disco hasta que se haya parado completamente. La subida de un disco girando por inercia puede resultar en heridas personales graves y daños a la pieza de trabajo.

⚠ ADVERTENCIA: Cuando corte una pieza de trabajo que sea más larga que la base de apoyo de la sierra, el material deberá ser apoyado en toda su longitud más allá de la base de apoyo y a la misma altura para mantener el material nivelado. Un apoyo apropiado de la pieza de trabajo ayudará a evitar que el disco se atranque y un posible retroceso brusco que puede resultar en heridas personales graves. No dependa únicamente de la mordaza vertical y/o mordaza horizontal para sujetar la pieza de trabajo. El material fino tiende a combarse. Apoye la pieza de trabajo en toda su longitud para evitar que el disco se atranque y que posiblemente se produzca un RETROCESO BRUSCO.

► Fig.37: 1. Apoyo 2. Base giratoria

Guías laterales

⚠ ADVERTENCIA: Antes de utilizar la herramienta, asegúrese de que la guía superior está sujetada firmemente.

⚠ ADVERTENCIA: Antes de hacer un corte en bisel, asegúrese de que ninguna parte de la herramienta, especialmente el disco, hace contacto con las guías superior e inferior cuando baja y sube completamente la empuñadura y mientras mueve el carro a lo largo de todo su rango de desplazamiento. Si la herramienta o el disco hace contacto con la guía, esto puede resultar en un retroceso brusco o movimiento inesperado del material y heridas personales graves.

Utilice las guías superiores para apoyar el material que sea más alto que las guías inferiores. Inserte la guía superior en el agujero de la guía inferior y apriete el tornillo de fijación.

► Fig.38: 1. Guía superior 2. Guía inferior 3. Tornillo de fijación 4. Tornillo de ajuste

AVISO: Las guías inferiores se fijan en la base en fábrica. No retire las guías inferiores.

AVISO: Si la guía superior todavía está floja después de apretar el tornillo de fijación, gire el tornillo de ajuste para eliminar la holgura. El tornillo de ajuste se ajusta en fábrica. No necesita utilizarlo a menos que sea necesario.

Puede guardar las guías superiores en el soporte cuando no sean utilizadas. Utilice la pinza de la guía superior para sujetarla en el soporte.

► Fig.39: 1. Soporte 2. Guía superior 3. Pinza

Mordaza vertical

⚠ ADVERTENCIA: La pieza de trabajo deberá estar sujetada firmemente contra la base giratoria y la guía lateral con la mordaza durante todas las operaciones. Si la pieza de trabajo no está sujeta debidamente contra la guía, el material podrá moverse durante la operación de corte ocasionando posibles daños al disco, haciendo que el material salga lanzado y que se pierda el control resultando en heridas personales graves.

► Fig.40: 1. Brazo de la mordaza 2. Barra de la mordaza 3. Tornillo de fijación 4. Pomo de la mordaza

La mordaza vertical se puede instalar en dos posiciones tanto en el lado derecho como el izquierdo de la base. Inserte la barra de la mordaza en el agujero de la base.

Posicione el brazo de la mordaza de acuerdo con el grosor y forma de la pieza de trabajo y sujete el brazo de la mordaza apretando el tornillo. Si el tornillo de fijación hace contacto con el carro, instálelo en el lado opuesto del brazo de la mordaza. Asegúrese de que ninguna parte de la herramienta hace contacto con la mordaza cuando baje la empuñadura a tope. Si alguna parte toca la mordaza, repositone la mordaza.

Presione la pieza de trabajo a ras contra la guía lateral y la base giratoria. Ponga la pieza de trabajo en la posición de corte deseada y sujétela firmemente apretando el pomo de la mordaza.

NOTA: Para un ajuste rápido de la pieza de trabajo, el girar el pomo de la mordaza a 90° hacia la izquierda permite mover el pomo de la mordaza hacia arriba y abajo. Para sujetar la pieza de trabajo después del ajuste, gire el pomo de la mordaza hacia la derecha.

Mordaza horizontal

Accesorios opcionales

⚠ ADVERTENCIA: Gire siempre la tuerca de la mordaza hacia la derecha hasta que la pieza de trabajo esté sujetada debidamente. Si la pieza de trabajo no está sujeta debidamente, el material podrá moverse durante la operación de corte ocasionando posibles daños al disco, haciendo que el material salga lanzado y que se pierda el control resultando en heridas personales graves.

⚠ ADVERTENCIA: Cuando corte una pieza de trabajo fina, tales como placas de base, contra la guía, utilice siempre la mordaza horizontal.

La mordaza horizontal se puede instalar en dos posiciones tanto en el lado derecho como el izquierdo de la base. Cuando realice cortes en inglete de 22,5° o mayores, instale la mordaza horizontal en el lado opuesto a la dirección en la que se va a girar base giratoria.

► Fig.41: 1. Placa de mordaza 2. Tuerca de la mordaza 3. Pomo de la mordaza

Volteando la tuerca de la mordaza hacia la izquierda, la mordaza se libera, y se mueve rápidamente hacia adentro y afuera. Para sujetar la pieza de trabajo, empuje el pomo de la mordaza hacia adelante hasta que la placa de mordaza haga contacto con la pieza de trabajo y voltee la tuerca de la mordaza hacia la derecha. Después gire el pomo de la mordaza hacia la derecha para sujetar la pieza de trabajo.

NOTA: La anchura máxima de la pieza de trabajo que se puede sujetar con la mordaza horizontal es de 228 mm.

Soportes

⚠ADVERTENCIA: Apoye siempre una pieza de trabajo larga de forma que quede nivelada con la superficie superior de la base giratoria para poder realizar un corte preciso y evitar una peligrosa pérdida de control de la herramienta. Un apoyo apropiado de la pieza de trabajo ayudará a evitar que el disco se atranque y un posible retroceso brusco que puede resultar en heridas personales graves.

Para sujetar piezas de trabajo largas horizontalmente, se han provisto soportes en ambos lados de la herramienta. Afloje los tornillos y extienda los soportes hasta la longitud apropiada para sujetar la pieza de trabajo. Después apriete los tornillos.

► Fig.42: 1. Soporte 2. Tornillo

OPERACIÓN

⚠ADVERTENCIA: Asegúrese de que el disco no está tocando la pieza de trabajo, etc., antes de activar el interruptor. El encender la herramienta con el disco haciendo contacto con la pieza de trabajo puede resultar en un retroceso brusco y heridas personales graves.

⚠ADVERTENCIA: Después de una operación de corte no suba el disco hasta que se haya parado completamente. La subida de un disco girando por inercia puede resultar en heridas personales graves y daños a la pieza de trabajo.

⚠ADVERTENCIA: No realice ningún ajuste tal como girar el mango, pomo, y palancas de la herramienta mientras el disco está girando. El ajustar mientras el disco está girando puede resultar en heridas personales graves.

AVISO: Antes de la utilización, asegúrese de desbloquear el pasador de retención y liberar la empuñadura de la posición bajada.

AVISO: No ejerza presión excesiva en la empuñadura cuando corte. Una fuerza excesiva podrá resultar en una sobrecarga del motor y/o reducir la eficacia de corte. Presione hacia abajo la empuñadura con la fuerza únicamente necesaria para cortar suavemente y sin reducir significativamente la velocidad del disco.

AVISO: Presione hacia abajo suavemente la empuñadura para realizar el corte. Si presiona la empuñadura hacia abajo con fuerza o si ejerce fuerza lateral, el disco podrá vibrar y dejar una marca (marca de sierra) en la pieza de trabajo y puede que la precisión del corte se vea afectada.

AVISO: Durante un corte de deslizamiento, empuje suavemente el carro hacia la guía lateral sin parar. Si el movimiento del carro se para durante el corte, quedará una marca en la pieza de trabajo y la precisión del corte se deteriorará.

Corte por presión

⚠ADVERTENCIA: Bloquee siempre el movimiento de deslizamiento del carro cuando realice un corte por presión. El cortar sin bloquear puede ocasionar un posible retroceso brusco que puede resultar en heridas personales graves.

Piezas de trabajo de hasta 68 mm de altura y 160 mm de anchura se pueden cortar de esta manera.

► Fig.43: 1. Pasador de retención

1. Empuje el carro hacia la guía lateral hasta que se detenga y bloquéelo con el pasador de retención.
2. Sujete la pieza de trabajo con el tipo de mordaza apropiado.
3. Encienda la herramienta sin que el disco esté tocando nada y espere hasta que el disco alcance plena velocidad antes de bajarlo.
4. Baje suavemente la empuñadura hasta la posición totalmente bajada para cortar la pieza de trabajo.
5. Cuando haya completado el corte, apague la herramienta y espere hasta que el disco se haya parado completamente antes de devolver el disco a su posición completamente elevada.

Corte de deslizamiento (empujando) (corte de piezas de trabajo anchas)

⚠️ ADVERTENCIA: Siempre que realice un corte de deslizamiento, primero tire del carro hacia usted completamente y presione la empuñadura hacia abajo completamente, después empuje el carro hacia la guía lateral. No inicie nunca el corte sin haber tirado del carro completamente hacia usted. Si realiza el corte de deslizamiento sin haber tirado del carro completamente hacia usted podrá producirse un retroceso brusco inesperado y resultar en heridas personales graves.

⚠️ ADVERTENCIA: No intente nunca realizar un corte de deslizamiento tirando del carro hacia usted. Si tira del carro hacia usted durante el corte podrá ocasionar un retroceso brusco inesperado resultando en posibles heridas personales graves.

⚠️ ADVERTENCIA: No realice nunca el corte de deslizamiento con la empuñadura bloqueada en la posición bajada.

► **Fig.44:** 1. Pasador de retención

1. Desbloquee el pasador de retención de forma que el carro se pueda deslizar libremente.
2. Sujete la pieza de trabajo con el tipo de mordaza apropiado.
3. Tire del carro hacia usted completamente.
4. Encienda la herramienta sin que el disco esté tocando nada y espere hasta que el disco alcance plena velocidad.
5. Presione la empuñadura hacia abajo y **empuje el carro hacia la guía lateral y a través de la pieza de trabajo.**
6. Cuando haya completado el corte, apague la herramienta y **espere hasta que el disco se haya parado completamente** antes de devolver el disco a su posición completamente elevada.

Corte en inglete

Consulte la sección "Ajuste del ángulo de inglete" explicada más atrás.

Corte en bisel

⚠️ ADVERTENCIA: Después de ajustar el disco para un corte en bisel, asegúrese de que el carro y el disco podrán desplazarse libremente a todo lo largo de rango del corte que piensa hacer antes de utilizar la herramienta. Una interrupción del desplazamiento del carro o el disco durante la operación de corte puede resultar en un retroceso brusco y a heridas personales graves.

⚠️ ADVERTENCIA: Mientras esté haciendo un corte en bisel mantenga las manos alejadas de la trayectoria del disco. El ángulo del disco puede confundir al operario sobre la trayectoria real del disco durante el corte y el contacto con el disco resultará en heridas personales graves.

⚠️ ADVERTENCIA: El disco no deberá ser subido hasta que se haya parado completamente. Durante un corte en bisel la pieza cortada podrá detenerse contra el disco. Si sube el disco mientras está girando, la pieza cortada podrá ser expulsada por el disco haciendo que el material se fragmente lo que puede resultar en heridas personales graves.

⚠️ AVISO: Cuando presione hacia abajo la empuñadura, aplique fuerza paralela al disco. Si la fuerza es aplicada perpendicularmente a la base giratoria o si se cambia la dirección de la presión durante el corte, la precisión de corte se deteriorará.

► **Fig.45**

1. Retire la guía superior del lado que va a inclinar el carro.
2. Desbloquee el pasador de retención.
3. Ajuste el ángulo de bisel de acuerdo con el procedimiento explicado en la sección "Ajuste del ángulo de bisel". Después apriete el pomo.
4. Sujete la pieza de trabajo con una mordaza.
5. Tire del carro hacia usted completamente.
6. Encienda la herramienta sin que el disco esté tocando nada y espere hasta que el disco alcance plena velocidad.
7. Baje con cuidado la empuñadura hasta la posición completamente bajada mientras aplica presión en dirección paralela al disco y **empuje el carro hacia la guía lateral para cortar la pieza de trabajo.**
8. Cuando haya completado el corte, apague la herramienta y **espere hasta que el disco se haya parado completamente** antes de devolver el disco a su posición completamente elevada.

Corte compuesto

El corte compuesto es el procedimiento en el que se hace un ángulo de bisel al mismo tiempo que se corta un ángulo de inglete en una pieza de trabajo. El corte compuesto se puede realizar a los ángulos mostrados en la tabla.

| Ángulo de inglete | Ángulo de bisel |
|------------------------------|------------------------------|
| Izquierdo y derecho 0° - 45° | Izquierdo y derecho 0° - 45° |

Cuando vaya a realizar un corte compuesto, consulte las explicaciones de "Corte por presión", "Corte de deslizamiento (empujando)", "Corte en inglete" y "Corte en bisel".

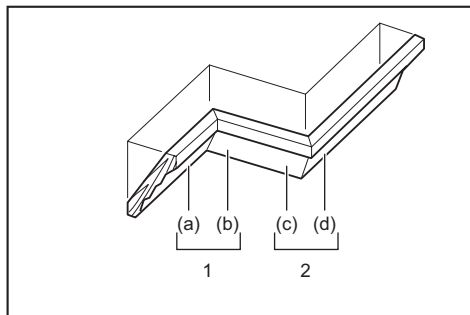
Corte de molduras corona y cóncavas

Las molduras corona y cóncavas pueden cortarse en una sierra de inglete mixta con las molduras apoyadas horizontalmente en la base giratoria.

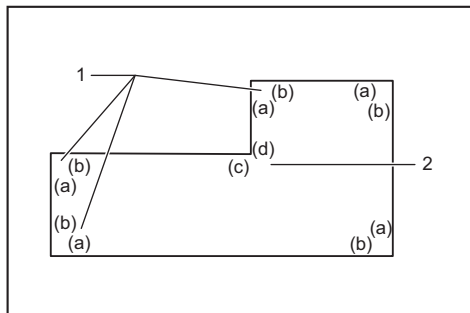
Existen dos tipos comunes de molduras corona y un tipo de moldura cóncava; moldura corona de ángulo mural de 52/38°, moldura corona de ángulo mural de 45° y moldura cóncava de ángulo mural de 45°.

► **Fig.46:** 1. Moldura corona tipo 52/38° 2. Moldura corona tipo 45° 3. Moldura cóncava tipo 45°

Existen juntas de moldura corona y cóncava que han sido hechas para encajar en esquinas "interiores" de 90° ((a) y (b) en la figura) y esquinas "exteriores" de 90° ((c) y (d) en la figura).



1. Esquina interior 2. Esquina exterior



1. Esquina interior 2. Esquina exterior

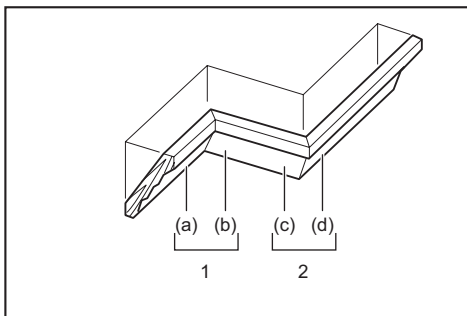
Medición

Mida la anchura de la pared, y ajuste la anchura de la pieza de trabajo de acuerdo con esto. Asegúrese siempre de que la anchura del borde de contacto con la pared de la pieza de trabajo es la misma que la longitud de la pared.

► **Fig.47:** 1. Pieza de trabajo 2. Anchura de la pared 3. Anchura de la pieza de trabajo 4. Borde de contacto con la pared

Utilice siempre varias piezas para realizar cortes de prueba a fin de comprobar los ángulos de la sierra. Cuando vaya a cortar molduras corona y cóncavas, ajuste el ángulo de bisel y el ángulo de inglete como se indica en la tabla (A) y posicione las molduras sobre la superficie superior de la base de la sierra como se indica en la tabla (B).

En el caso de corte en bisel izquierdo



1. Esquina interior 2. Esquina exterior

Tabla (A)

| - | Posición de la moldura en la figura | Ángulo de bisel | | Ángulo de inglete | |
|-----------------------|-------------------------------------|-----------------|---------------|-------------------|-----------------|
| | | Tipo 52/38° | Tipo 45° | Tipo 52/38° | Tipo 45° |
| Para esquina interior | (a) | Izquierdo 33,9° | Izquierdo 30° | Derecho 31,6° | Derecho 35,3° |
| | (b) | | | Izquierdo 31,6° | Izquierdo 35,3° |
| Para esquina exterior | (c) | | | Derecho 31,6° | Derecho 35,3° |
| | (d) | | | | |

Tabla (B)

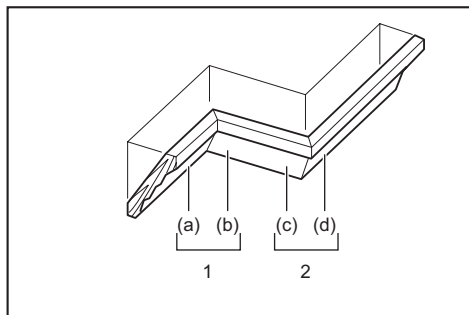
| - | Posición de la moldura en la figura | Borde de moldura contra la guía lateral | Pieza acabada |
|-----------------------|-------------------------------------|--|---|
| Para esquina interior | (a) | El borde de contacto con el techo debe estar contra la guía lateral. | La pieza acabada estará en el lado izquierdo del disco. |
| | (b) | El borde de contacto con la pared debe estar contra la guía lateral. | La pieza acabada estará en el lado derecho del disco. |
| Para esquina exterior | (c) | El borde de contacto con el techo debe estar contra la guía lateral. | La pieza acabada estará en el lado izquierdo del disco. |
| | (d) | El borde de contacto con el techo debe estar contra la guía lateral. | La pieza acabada estará en el lado derecho del disco. |

Ejemplo:

En el caso de corte de moldura corona tipo 52/38° para posición (a) en la figura de arriba:

- Inclíne y sujete el ajuste de ángulo de bisel para 33,9° IZQUIERDO.
- Ajuste y sujete el ajuste de ángulo de inglete para 31,6° DERECHO.
- Apoye la moldura corona con su superficie posterior vasta (oculta) hacia abajo sobre la base giratoria con su BORDE DE CONTACTO CON EL TECHO contra la guía lateral en la sierra.
- La pieza acabada a utilizar estará siempre en el lado IZQUIERDO del disco después de haber realizado el corte.

En el caso de corte en bisel derecho



1. Esquina interior 2. Esquina exterior

Tabla (A)

| - | Posición de la moldura en la figura | Ángulo de bisel | | Ángulo de inglete | |
|-----------------------|-------------------------------------|-----------------|-------------|-------------------|-----------------|
| | | Tipo 52/38° | Tipo 45° | Tipo 52/38° | Tipo 45° |
| Para esquina interior | (a) | Derecho 33,9° | Derecho 30° | Derecho 31,6° | Derecho 35,3° |
| | (b) | | | Izquierdo 31,6° | Izquierdo 35,3° |
| Para esquina exterior | (c) | | | Derecho 31,6° | Derecho 35,3° |
| | (d) | | | | |

Tabla (B)

| - | Posición de la moldura en la figura | Borde de moldura contra la guía lateral | Pieza acabada |
|-----------------------|-------------------------------------|--|---|
| Para esquina interior | (a) | El borde de contacto con la pared debe estar contra la guía lateral. | La pieza acabada estará en el lado derecho del disco. |
| | (b) | El borde de contacto con el techo debe estar contra la guía lateral. | |
| Para esquina exterior | (c) | El borde de contacto con la pared debe estar contra la guía lateral. | La pieza acabada estará en el lado izquierdo del disco. |
| | (d) | El borde de contacto con la pared debe estar contra la guía lateral. | |

Ejemplo:

En el caso de corte de moldura corona tipo 52/38° para posición (a) en la figura de arriba:

- Incline y sujete el ajuste de ángulo de bisel a 33,9° DERECHO.
- Ajuste y sujete el ajuste de ángulo de inglete para 31,6° DERECHO.
- Apoye la moldura corona con su superficie posterior vasta (oculta) hacia abajo sobre la base giratoria con su BORDE DE CONTACTO CON LA PARED contra la guía lateral de la sierra.
- La pieza acabada a utilizar estará siempre en el lado DERECHO del disco después de haber realizado el corte.

Tope de moldura corona

Accesorios opcionales

Los topes de moldura corona permiten cortes más fáciles de moldura corona sin inclinar el disco. Instálelos en la base giratoria como se muestra en las figuras.

A ángulo de inglete de 45° derecho

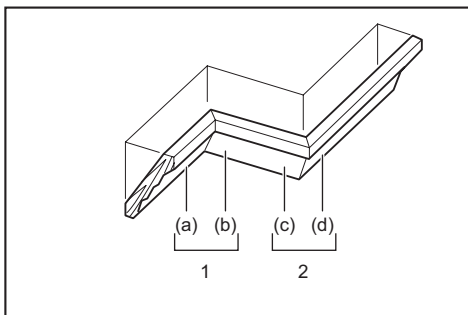
- Fig.48: 1. Tope de moldura corona izquierdo
2. Tope de moldura corona derecho 3. Base giratoria 4. Guía lateral

A ángulo de inglete de 45° izquierdo

- Fig.49: 1. Tope de moldura corona izquierdo
2. Tope de moldura corona derecho 3. Base giratoria 4. Guía lateral

Posicione la moldura corona con su BORDE DE CONTACTO CON LA PARED contra la guía lateral y su BORDE DE CONTACTO CON EL TECHO contra los topes de moldura corona como se muestra en la figura. Ajuste los topes de moldura corona de acuerdo con el tamaño de la moldura corona. Apriete los tornillos para sujetar los topes de moldura corona. Consulte la tabla (C) para ver el ángulo de inglete.

- Fig.50: 1. Guía lateral 2. Tope de moldura corona



1. Esquina interior 2. Esquina exterior

Tabla (C)

| - | Posición de la moldura en la figura | Ángulo de inglete | Pieza acabada |
|-----------------------|-------------------------------------|-------------------|---|
| Para esquina interior | (a) | Derecho 45° | Se conserva el lado derecho del disco |
| | (b) | Izquierdo 45° | Se conserva el lado izquierdo del disco |
| Para esquina exterior | (c) | | Se conserva el lado derecho del disco |
| | (d) | Derecho 45° | Se conserva el lado izquierdo del disco |

Corte de extrusión de aluminio

- **Fig.51:** 1. Mordaza 2. Bloque espaciador 3. Guía lateral 4. Extrusión de aluminio 5. Bloque espaciador

Cuando sujete extrusiones de aluminio, utilice bloques espaciadores o piezas de desecho como se muestra en la figura para evitar la deformación del aluminio. Utilice un lubricante para cortar cuando corte extrusión de aluminio para evitar la acumulación de material de aluminio en el disco.

⚠ADVERTENCIA: No intente nunca cortar extrusiones de aluminio gruesas o redondas. Las extrusiones de aluminio gruesas o redondas pueden resultar difíciles de sujetar y la pieza de trabajo se puede aflojar durante la operación de corte y resultar en una pérdida de control y heridas personales graves.

Ranurado

⚠ADVERTENCIA: No intente realizar este tipo de corte utilizando un disco de tipo más grueso o un disco de moldurar. Si intenta hacer un corte de ranura con un disco más grueso o disco de moldurar podrá resultar en un corte inesperado y en un retroceso brusco que puede resultar en heridas personales graves.

⚠ADVERTENCIA: Asegúrese de volver a poner el brazo de retención en la posición original cuando realice otros cortes que no sean de ranurado. Si intenta hacer cortes con el brazo de retención en una posición incorrecta podrá resultar en un corte inesperado y en un retroceso brusco que puede resultar en heridas personales graves.

Para corte tipo ranura, realice lo siguiente:

1. Ajuste la posición del límite inferior del disco utilizando el tornillo de ajuste y el brazo de retención para limitar la profundidad de corte del disco. Consulte la sección "Brazo de retención" descrita previamente.
2. Después de ajustar la posición del límite inferior del disco, corte ranuras paralelas a lo ancho de la pieza de trabajo utilizando un corte de deslizamiento (empujando).
► **Fig.52:** 1. Ranuras cortadas con el disco
3. Retire con un formón el material que queda entre las ranuras hechas en la pieza de trabajo.

Transporte de la herramienta

Antes de transportar, asegúrese de desenchufar y de que todas las partes móviles de la sierra de inglete están sujetadas. Compruebe siempre lo siguiente:

- La herramienta está desenchufada.
- El carro está en la posición de ángulo de bisel de 0° y sujetado.
- El carro está bajado y bloqueado.
- El carro está deslizado completamente hasta la guía lateral y bloqueado.
- La base giratoria está en la posición completa de ángulo de inglete derecho y sujetada.
- Los soportes están guardados y sujetos.

Transporte la herramienta cogiéndola por ambos costados de la base como se muestra en la figura.

- **Fig.53**

⚠ADVERTENCIA: El pasador de retención para elevación del carro es solamente para transportar y almacenar la herramienta y no para ninguna operación de corte. La utilización del pasador de retención para operaciones de corte podrá ocasionar un movimiento inesperado del disco resultando en un retroceso brusco y heridas personales graves.

⚠PRECAUCIÓN: Sujete siempre todas las partes móviles antes de transportar la herramienta. Si algunas partes de la herramienta se mueven o deslizan mientras se transporta, podrá producirse una pérdida del control o del equilibrio y resultar heridas personales.

MANTENIMIENTO

⚠ADVERTENCIA: Asegúrese siempre de que la herramienta está apagada y desenchufada antes de intentar realizar una inspección o mantenimiento. El no desenchufar y apagar la herramienta puede resultar en una puesta en marcha accidental de la herramienta y heridas personales graves.

⚠ADVERTENCIA: Asegúrese siempre de que el disco está afilado y limpio para obtener el mejor y más seguro rendimiento. El tratar de hacer un corte con un disco embotado y/o sucio puede ocasionar un retroceso brusco y resultar en heridas personales graves.

⚠AVISO: No utilice nunca gasolina, bencina, disolvente, alcohol o similares. Podría producir descoloración, deformación o grietas.

Ajuste del ángulo de corte

Esta herramienta ha sido ajustada y alineada cuidadosamente en fábrica, pero un manejo brusco podrá haber afectado la alineación. Si su herramienta no está debidamente alineada, realice lo siguiente:

Ángulo de inglete

Baje la empuñadura completamente y bloquéela en la posición bajada con el pasador de retención. Empuje el carro hacia la guía lateral. Afloje el mango y los tornillos que sujetan el puntero y la escala de ángulo de inglete.

- **Fig.54:** 1. Tornillo del puntero 2. Tornillos de la escala de ángulo de inglete 3. Escala de ángulo de inglete

Ajuste la base giratoria en la posición de 0° utilizando la función de parada positiva. Escuadre el costado del disco con la cara de la guía lateral utilizando una escuadra o regla L. Mientras mantiene el escuadre, apriete los tornillos de la escala de ángulo de inglete. Después, alinee los punteros (derecho e izquierdo) con la posición de 0° en la escala de ángulo de inglete y después apriete el tornillo del puntero.

- **Fig.55:** 1. Escuadra

Ángulo de bisel

Ángulo de bisel de 0°

Empuje el carro hacia la guía lateral y bloquee el movimiento de deslizamiento con el pasador de retención. Baje la empuñadura completamente y bloquéela en la posición bajada con el pasador de retención y después afloje el pomo. Gire el perno de ajuste de 0° dos o tres vueltas hacia la izquierda para inclinar el disco hacia la derecha.

► **Fig.56:** 1. Perno de ajuste de 0° 2. Tornillo

Escudrade cuidadosamente el costado del disco con la parte superior de la base giratoria utilizando la escuadra, regla L, etc., y girando el perno de ajuste de 0° hacia la derecha. Después apriete el pomo firmemente para sujetar el ángulo de 0° que ha ajustado.

► **Fig.57:** 1. Escuadra 2. Disco 3. Parte superior de la base giratoria

Compruebe si el costado del disco está escuadrado con la superficie de la base giratoria otra vez. Afloje el tornillo del puntero. Alinee el puntero con la posición de 0° en la escala de ángulo de bisel y después apriete el tornillo.

Ángulo de bisel de 45°

AVISO: Antes de ajustar el ángulo de bisel de 45°, termine el ajuste de ángulo de bisel de 0°.

Afloje el pomo e incline completamente el carro hacia el lado que quiere comprobar. Compruebe si el puntero indica la posición de 45° en la escala de ángulo de bisel.

► **Fig.58**

Si el puntero no indica la posición de 45°, alinéelo con la posición de 45° girando el perno de ajuste en el lado opuesto de la escala de ángulo de bisel.

► **Fig.59:** 1. Perno de ajuste de 45° izquierdo
2. Perno de ajuste de 45° derecho

Ajuste de la posición de la línea láser

Para el modelo LS1019L solamente

⚠ ADVERTENCIA: La herramienta debe estar enchufada mientras se ajusta la línea láser. Tenga cuidado especial de no encender la herramienta durante el ajuste. Una puesta en marcha involuntaria de la herramienta puede resultar en heridas personales graves.

⚠ PRECAUCIÓN: No mire nunca al haz de láser directamente. La exposición directa de los ojos al haz puede ocasionar daños graves a sus ojos.

AVISO: Compruebe la posición de la línea láser regularmente para mantener la precisión.

AVISO: Tenga cuidado de no someter la herramienta a impactos. Esto puede ocasionar que la línea láser se desalinee o daños al láser, acortando su vida de servicio.

AVISO: Haga que la herramienta sea reparada en un centro de servicio autorizado de Makita para cualquier fallo de la unidad de láser.

El rango movable de la línea láser se decide con los tornillos de ajuste de rango de ambos lados. Realice los procedimientos siguientes para alterar la posición de la línea láser.

1. Desenchufe la herramienta.
2. Trace una línea de corte en la pieza de trabajo y póngala sobre la base giratoria. En este momento, no sujete la pieza de trabajo con una mordaza o dispositivo de sujeción similar.
3. Baje la empuñadura y alinee la línea de corte con el disco.
4. Devuelva la empuñadura a la posición original y sujete la pieza de trabajo con la mordaza vertical de forma que la pieza de trabajo no se mueva de la posición que usted ha determinado.
5. Enchufe la herramienta y active el interruptor de láser.
6. Afloje el tornillo de ajuste. Para alejar del disco la línea láser, gire el tornillo de ajuste de rango hacia la izquierda. Para acercar la línea láser al disco, gire el tornillo de ajuste de rango hacia la derecha.

Ajuste de la línea láser en el lado izquierdo del disco

► **Fig.60:** 1. Tornillo de ajuste 2. Tornillo de ajuste de rango 3. Llave hexagonal 4. Línea láser 5. Disco

Ajuste de la línea láser en el lado derecho del disco

► **Fig.61:** 1. Tornillo de ajuste 2. Tornillo de ajuste de rango 3. Llave hexagonal 4. Línea láser 5. Disco

7. Deslice el tornillo de ajuste hasta la posición en que la línea láser queda sobre la línea de corte y después apriete.

NOTA: El rango movable de la línea láser se ajusta en fábrica dentro de 1 mm (0,04") de la superficie lateral del disco.

Limpieza de la lente de la luz láser

Para el modelo LS1019L solamente

La luz láser se vuelve difícil de ver a medida que la lente de la luz láser se ensucia. Limpie la lente de la luz láser periódicamente.

► **Fig.62:** 1. Tornillo 2. Lente

Desenchufe la herramienta. Afloje el tornillo y extraiga la lente. Limpie la lente con cuidado con un paño suave humedecido.

AVISO: No retire el tornillo que sujeta la lente. Si la lente no se puede extraer, afloje más el tornillo.

AVISO: No utilice disolventes ni ningún producto de limpieza a base de petróleo en la lente.

Reemplazo de las escobillas de carbón

► Fig.63: 1. Marca de límite

Extraiga y compruebe las escobillas de carbón regularmente. Reemplácelas cuando se hayan gastado hasta la marca de límite. Mantenga las escobillas de carbón limpias y de forma que entren libremente en los portaescobillas. Ambas escobillas de carbón deberán ser reemplazadas al mismo tiempo. Utilice únicamente escobillas de carbón idénticas.

Utilice un destornillador para quitar los tapones portaescobillas. Extraiga las escobillas desgastadas, inserte las nuevas y vuelva a colocar los tapones portaescobillas.

► Fig.64: 1. Tapón portaescobillas

Después de reemplazar las escobillas, enchufe la herramienta y haga el rodaje a las escobillas dejando la herramienta en marcha sin carga durante unos 10 minutos. Después compruebe la herramienta mientras está en marcha y la operación del freno eléctrico cuando libera el gatillo interruptor. Si el freno eléctrico no está funcionando correctamente, haga que la herramienta sea reparada en un centro de servicio Makita.

Después de la utilización

Después de la utilización, limpie las virutas y el polvo adheridos a la herramienta con un paño o similar. Mantenga el protector de disco limpio de acuerdo con las indicaciones de la sección ya vista titulada "Protector de disco". Lubrique las partes deslizables con aceite para máquinas para evitar que se oxiden.

Para mantener la SEGURIDAD y FIABILIDAD del producto, las reparaciones, y cualquier otra tarea de mantenimiento o ajuste deberán ser realizadas en centros de servicio o de fábrica autorizados por Makita, empleando siempre repuestos Makita.

ACCESORIOS OPCIONALES

⚠ADVERTENCIA: Estos accesorios o acoplamientos de Makita están recomendados para utilizar con su herramienta Makita especificada en este manual. La utilización de cualesquiera otros accesorios o acoplamientos puede resultar en heridas personales graves.

⚠ADVERTENCIA: Utilice el accesorio o acoplamiento Makita solamente para el propósito que ha sido diseñado. El uso indebido de un accesorio o acoplamiento puede resultar en heridas personales graves.

Si necesita cualquier ayuda para más detalles en relación con estos accesorios, pregunte al centro de servicio Makita local.

- Discos de acero y de dientes de carburo
- Mordaza vertical
- Mordaza horizontal
- Conjunto de tope de moldura corona
- Bolsa de polvo
- Escuadra
- Llave hexagonal
- Llave hexagonal (para LS1019L)

NOTA: Algunos elementos de la lista podrán estar incluidos en el paquete de la herramienta como accesorios estándar. Pueden variar de un país a otro.

ESPECIFICAÇÕES

| Modelo: | | LS1019 | LS1019L |
|--|-----------------------|---------------------------|--|
| Diâmetro da lâmina | Países europeus | 260 mm | |
| | Países além da Europa | 255 mm - 260 mm | |
| Diâmetro do furo | Países europeus | 30 mm | |
| | Países além da Europa | 25,4 mm | |
| Espessura máx. de corte da lâmina de serra | | 3,2 mm | |
| Ângulo de esquadria máx. | | Direita 60°, esquerda 60° | |
| Ângulo de bisel máx. | | Direita 48°, esquerda 48° | |
| Velocidade sem carga (RPM) | | 3.200 min ⁻¹ | |
| Tipo de laser | | - | Laser vermelho 650 nm, saída máxima < 1,6 m W (Classe de laser 2M) |
| Dimensões (C x L x A) | | 805 mm x 644 mm x 660 mm | |
| Peso líquido | | 26,1 kg | 26,3 kg |

Capacidades de corte (A x L)

| Ângulo de esquadria | Ângulo de bisel | | |
|--------------------------|----------------------------------|----------------------------------|----------------------------------|
| | 45° (esquerda) | 0° | 45° (direita) |
| 0° | 42 mm x 310 mm 58 mm x 279 mm | 68 mm x 310 mm 91 mm x 279 mm | 29 mm x 310 mm 43 mm x 279 mm |
| 45° (direita e esquerda) | 42 mm x 218 mm 58 mm x 197 mm | 68 mm x 218 mm 91 mm x 197 mm | 29 mm x 218 mm 43 mm x 197 mm |
| 60° (direita e esquerda) | - | 68 mm x 155 mm 91 mm x 139 mm | - |

Capacidades de corte para cortes especiais

| Tipo de corte | Capacidade de corte |
|--|---------------------|
| Moldura do tipo 45° (com bloqueio de moldura utilizado) | 168 mm |
| Rodapé (com torno horizontal utilizado) | 133 mm |

- Devido a um programa contínuo de pesquisa e desenvolvimento, estas especificações podem ser alteradas sem aviso prévio.
- As especificações podem variar de país para país.
- Peso de acordo com o Procedimento EPTA 01/2014

Símbolos

A seguir são apresentados os símbolos utilizados para o equipamento. Certifique-se de que compreende o seu significado antes de utilizar o equipamento.

| | |
|--|--|
| | Leia o manual de instruções. |
| | ISOLAMENTO DUPLA |
| | Para evitar ferimentos provocados por resíduos soltos, mantenha a cabeça da serra virada para baixo, depois de realizar cortes, até a lâmina ficar completamente parada. |

Quando realizar o corte correção, puxe primeiro o carrinho até ao fim e empurre a pega para baixo, depois, empurre o carrinho em direção à placa guia.

Não coloque a mão ou os dedos perto da lâmina.

Nunca olhe diretamente para o feixe do laser. O feixe do laser direto poderá ferir os seus olhos.

Apenas para os países da União Europeia
Não elimine os equipamentos elétricos junto com o lixo doméstico! De acordo com a diretiva europeia relativa aos resíduos de equipamentos elétricos e eletrónicos e à sua implementação de acordo com as leis nacionais, os equipamentos elétricos que atingiram o seu fim de vida útil devem ser recolhidos separadamente e entregues numa instalação de reciclagem ambientalmente compatível.

Utilização a que se destina

Esta ferramenta destina-se a realizar cortes de precisão, retos e de meia esquadria, em madeira. Com lâminas de serra apropriadas, também é possível serrar alumínio.

Alimentação

A ferramenta só deve ser ligada a uma fonte de alimentação com a mesma tensão da indicada na placa de características, e só funciona com alimentação de corrente alternada (CA) monofásica. Tem um sistema de isolamento duplo e pode, por isso, utilizar tomadas sem ligação à terra.

Ruído

A característica do nível de ruído A determinado de acordo com a EN62841:

Modelo LS1019

Nível de pressão acústica (L_{pA}): 91 dB (A)

Nível de potência acústica (L_{WA}): 101 dB (A)

Variabilidade (K): 3 dB (A)

Modelo LS1019L

Nível de pressão acústica (L_{pA}): 91 dB (A)

Nível de potência acústica (L_{WA}): 101 dB (A)

Variabilidade (K): 3 dB (A)

AVISO: Utilize protetores auriculares.

Vibração

Valor total da vibração (soma vetorial tri-axial) determinado de acordo com a EN62841:

Modelo LS1019

Emissão de vibração (a_h): 2,5 m/s² ou menos

Variabilidade (K): 1,5 m/s²

Modelo LS1019L

Emissão de vibração (a_h): 2,5 m/s² ou menos

Variabilidade (K): 1,5 m/s²

NOTA: O valor da emissão de vibração indicado foi medido de acordo com o método de teste padrão e pode ser utilizado para comparar duas ferramentas.

NOTA: O valor da emissão de vibração indicado pode também ser utilizado na avaliação preliminar da exposição.

AVISO: A emissão de vibração durante a utilização real da ferramenta elétrica pode diferir do valor de emissão indicado, dependendo das formas como a ferramenta é utilizada.

AVISO: Certifique-se de identificar as medidas de segurança para proteção do operador que sejam baseadas em uma estimativa de exposição em condições reais de utilização (considerando todas as partes do ciclo de operação, tal como quando a ferramenta está desligada e quando está a funcionar em marcha lenta além do tempo de acionamento).

Declaração de conformidade da CE

Apenas para os países europeus

A declaração de conformidade da CE está incluída como Anexo A neste manual de instruções.

AVISOS DE SEGURANÇA

Avisos gerais de segurança para ferramentas elétricas

AVISO: Leia todos os avisos de segurança, instruções, ilustrações e especificações fornecidos com esta ferramenta elétrica. O não cumprimento de todas as instruções indicadas em baixo pode resultar em choque elétrico, incêndio e/ou ferimentos graves.

Guarde todos os avisos e instruções para futuras referências.

O termo "ferramenta elétrica" nos avisos refere-se às ferramentas elétricas ligadas à corrente elétrica (com cabo) ou às ferramentas elétricas operadas por meio de bateria (sem cabo).

Instruções de segurança para serras de esquadria

- As serras de esquadria destinam-se a cortar madeira ou produtos semelhantes a madeira, não podem ser utilizadas com rodas de corte abrasivas para cortar material ferroso, tal como barras, varões, pinos, etc.** A poeira abrasiva provoca o encravamento de peças móveis, tais como o resguardo inferior. As faíscas do corte abrasivo queimam o resguardo inferior, a inserção de corte e outras peças de plástico.
- Utilize braçadeiras para apoiar a peça de trabalho sempre que possível. Se apoiar a peça de trabalho manualmente, deve manter sempre as mãos afastadas pelo menos 100 mm de cada lado da lâmina de serra. Não utilize esta serra para cortar peças demasiado pequenas para serem apertadas ou seguras à mão.** Se a sua mão estiver colocada demasiado próxima da lâmina de serra, existe um maior risco de lesão devido ao contacto com a lâmina.
- A peça de trabalho deve estar fixa e apertada ou segura contra a placa e a mesa. Não alimente a peça de trabalho na lâmina nem corte "com as mãos livres" em qualquer direção.** As peças sem fixação ou móveis podem ser projetadas a altas velocidades, causando ferimentos.
- Empurre a serra através da peça de trabalho. Não puxe a serra através da peça de trabalho. Para realizar um corte, eleve a cabeça da serra e puxe-a para fora sobre a peça de trabalho sem realizar cortes, efetue o arranque do motor, pressione a cabeça da serra para baixo e empurre a serra através da peça de trabalho.** Cortar no tirante de puxar provavelmente faz com que a lâmina de serra suba para cima da peça de trabalho e atire violentamente a conjunto de lâmina na direção do operador.
- Nunca cruze a sua mão sobre a linha de corte pretendida, tanto à frente como atrás da lâmina de serra.** Apoiar a peça de trabalho "com as mãos cruzadas", isto é, segurando a peça de trabalho do lado direito da lâmina de serra com a mão esquerda ou vice versa é muito perigoso.

► Fig.1

6. **Não tente chegar mais próximo do que 100 mm por trás da placa com as duas mãos a partir dos dois lados da lâmina de serra para remover restos de madeira ou por qualquer outro motivo enquanto a lâmina estiver a rodar.** A proximidade da lâmina de serra em rotação em relação à sua mão poderá não ser óbvia e poderá sofrer lesões graves.
 7. **Inspeccione a sua peça de trabalho antes de realizar o corte. Se a peça de trabalho for encurvada ou deformada, aperte-a com a face encurvada exterior virada para a placa. Certifique-se sempre de que não existe nenhuma lacuna entre a peça de trabalho, a placa e a mesa ao longo da linha de corte.** As peças de trabalho encurvadas ou deformadas podem torcer ou deslocar-se e causar empenamento na lâmina de serra em rotação durante o corte. A peça de trabalho não deve ter pregos ou objetos estranhos.
 8. **Não utilize a serra até que a mesa esteja desimpedida de todas as ferramentas, restos de madeira, etc., exceto da peça de trabalho.** Os pequenos resíduos ou pedaços soltos de madeira ou outros objetos que estabeleçam contacto com a lâmina em rotação podem ser projetados a alta velocidade.
 9. **Corte apenas uma peça de trabalho de cada vez.** As peças de trabalho múltiplas empilhadas não podem ser apertadas ou fixadas adequadamente e podem prender na lâmina ou deslocar-se durante o corte.
 10. **Assegure que a serra de esquadria está montada ou colocada numa superfície de trabalho nivelada e firme antes de ser utilizada.** Uma superfície de trabalho nivelada e firme reduz o risco de a serra de esquadria se tornar instável.
 11. **Planeie o seu trabalho. Cada vez que altera a definição do ângulo de bisel e do ângulo de esquadria, certifique-se de que a placa ajustável está corretamente definida para apoiar a peça de trabalho e que não interfere com a lâmina ou o sistema de resguardo.** Sem “LIGAR” a ferramenta e sem qualquer peça de trabalho na mesa, mova a lâmina de serra através de um corte simulado completo, de modo a assegurar que não haverá interferência ou perigo de corte da placa.
 12. **Assegure um apoio adequado, tal como extensões da mesa, cavaletes, etc. para uma peça de trabalho que é mais ampla ou mais comprida do que o topo da mesa.** As peças de trabalho mais compridas ou mais amplas do que a mesa da serra de esquadria podem virar se não estiverem apoiadas em segurança. Se a peça cortada ou a peça de trabalho virarem, estas podem levantar o resguardo inferior ou serem projetadas pela lâmina em rotação.
 13. **Não utilize outra pessoa como substituição de uma extensão de mesa ou um suporte adicional.** O apoio instável para a peça de trabalho pode fazer com que a lâmina fique presa ou a peça de trabalho se desloque durante a operação de corte, puxando-o a si e ao seu assistente na direção da lâmina em rotação.
 14. **A peça de corte não deve estar encravada ou ser pressionada por qualquer meio contra a lâmina de serra em rotação.** Se estiver limitada, isto é, utilizando batentes de comprimento, a peça de corte pode ficar entalada contra a lâmina e ser projetada com violência.
 15. **Utilize sempre uma braçadeira ou uma fixação concebida para apoiar adequadamente material redondo, tal como varões ou tubagens.** Os varões têm tendência de se enrolar enquanto são cortados, fazendo com que a lâmina “morda” e puxe a peça de trabalho com a sua mão para a lâmina.
 16. **Aguarde que o disco atinja a velocidade máxima antes de estabelecer contacto com a peça de trabalho.** Isto reduz o risco de projeção da peça de trabalho.
 17. **Se a peça de trabalho ou a lâmina ficar encravada, desligue a serra de esquadria. Aguarde que todas as peças móveis parem e desligue a ficha da fonte de alimentação e/ou remova a bateria. Em seguida, trabalhe para soltar o material encravado.** A serração contínua com uma peça de trabalho encravada pode causar a perda de controlo ou danos na serra de esquadria.
 18. **Após concluir o corte, solte o interruptor, segure a cabeça da serra para baixo e aguarde que a lâmina pare antes de remover a peça de corte.** É perigoso tentar alcançar a lâmina com a mão enquanto esta está a rodar por inércia.
 19. **Segure firmemente na pega quando realizar um corte incompleto ou quando soltar o interruptor antes de a cabeça da serra estar completamente na posição inferior.** A ação de travagem da serra pode fazer com que a cabeça da serra seja subitamente puxada para baixo, causando o risco de lesão.
 20. **Utilize a lâmina de serra apenas com o diâmetro que está marcado na ferramenta ou especificado no manual.** A utilização de uma lâmina de tamanho incorreto pode afetar a proteção adequada da lâmina ou o funcionamento do resguardo, resultando em ferimentos pessoais graves.
 21. **Apenas use lâminas de serra marcadas com uma velocidade igual ou superior à velocidade marcada na ferramenta.**
 22. **Utilize a serra apenas para cortar madeira, alumínio ou materiais similares.**
 23. **(Apenas para países europeus) Utilize sempre a lâmina que possui conformidade com a norma EN847-1.**
- Instruções adicionais**
1. **Feche a oficina com cadeados para segurança das crianças.**
 2. **Nunca se coloque sobre a ferramenta.** Podem ocorrer lesões graves se a ferramenta virar ou se estabelecer contacto inadvertidamente com a ferramenta de corte.
 3. **Nunca deixa a ferramenta ligada sem supervisão. Desligue a ferramenta. Não deixe a ferramenta sem supervisão antes de estar completamente parada.**
 4. **Não utilize a serra sem os resguardos montados. Verifique se o resguardo da lâmina se encontra devidamente fechado antes de cada utilização. Não trabalhe com a serra se o resguardo da lâmina não se movimentar livremente e fechar instantaneamente. Nunca fixe nem prenda o resguardo da lâmina em posição aberta.**

5. Mantenha as mãos afastadas da parte cortante da lâmina da serra. Evite tocar na lâmina quando esta rodar por inércia. Mesmo assim, esta pode provocar lesões.
6. Nunca fixe nem prenda o resguardo da lâmina em posição aberta.
7. Para reduzir o risco de lesão, reposicione o carroto na posição traseira completa após cada operação de corte transversal.
8. Fixe sempre os componentes móveis antes de proceder ao transporte da ferramenta.
9. O pino de bloqueio que bloqueia a cabeça de corte é só para fins de transporte e armazenagem e não para operação de corte.
10. Verifique a lâmina com cuidado quanto a rachaduras ou danos antes da utilização. Substitua imediatamente a lâmina rachada ou danificada. A pastilha e o passo da madeira endurecidos nas lâminas torna a serra lenta e aumenta o potencial de contragolpe. Mantenha a lâmina limpa, removendo-a primeiramente da ferramenta e, em seguida, limpando-a com removedor de pastilha e de passo, água quente ou querosene. Nunca utilize gasolina para limpar a lâmina.
11. Enquanto realiza um corte correção podem ocorrer CONTRAGOLPES. O CONTRAGOLPE ocorre quando a lâmina prende na peça de trabalho durante uma operação de corte e a lâmina de serra é puxada rapidamente na direção do operador. Pode resultar na perda de controlo e em lesões físicas graves. Se a lâmina começar a prender durante uma operação de corte, não continue a cortar e solte o interruptor imediatamente.
12. Utilize exclusivamente as flanges especificadas para esta ferramenta.
13. Tenha cuidado para não danificar o eixo, as flanges (especialmente a superfície de instalação) ou o perno. Os danos nestes componentes podem provocar a fratura da lâmina.
14. Certifique-se de que a base giratória está bem fixa, de modo a que não se movimente durante a operação. Utilize os furos na base para apertar a serra a uma plataforma de trabalho estável ou bancada. NUNCA utilize a ferramenta no caso em que o posicionamento do operador fosse considerado estranho.
15. Certifique-se de que soltou o travão do eixo antes de ligar o interruptor.
16. Certifique-se de que, na posição mais baixa, a lâmina não fica em contacto com a base giratória.
17. Agarre na pega com firmeza. Tenha em conta que a serra se movimenta um pouco para cima e para baixo, durante o arranque e a paragem da ferramenta.
18. Verifique se a lâmina não está em contacto com a peça a trabalhar antes de ligar o interruptor.
19. Antes de utilizar a ferramenta na peça a trabalhar, deixe-a funcionar em vazio durante algum tempo. Verifique se existem vibrações ou movimento irregular que possam indicar má instalação ou desequilíbrio da lâmina.
20. Pare a ferramenta de imediato se notar algo no funcionamento que não seja normal.
21. Não tente bloquear o gatilho na posição de ligado.
22. Utilize sempre os acessórios recomendados neste manual. A utilização de acessórios inadequados tais como rodas abrasivas podem dar origem a lesões.
23. Algum material contém produtos químicos que podem ser tóxicos. Tenha cuidado para evitar a inalação de poeira e o contacto com a pele. Respeite os dados de segurança do fornecedor do material.

Normas de segurança adicionais para o laser

1. **RADIAÇÃO DO LASER, NÃO OLHAR FIXAMENTE PARA O FEIXE OU VISUALIZAR DIRETAMENTE COM INSTRUMENTOS ÓTICOS, PRODUTO DE LASER CLASSE 2M.**

GUARDE ESTAS INSTRUÇÕES.

AVISO: NÃO permita que o conforto ou familiaridade com o produto (adquirido com o uso repetido) substitua o cumprimento estrito das regras de segurança da ferramenta. A MÁ INTERPRETAÇÃO ou o não seguimento das regras de segurança estabelecidas neste manual de instruções pode provocar ferimentos pessoais graves.

DESCRIÇÃO DAS PEÇAS

► Fig.2

| | | | | | | | |
|----|--|----|---|----|--|----|--|
| 1 | Braçadeira deslizante | 2 | Pino de bloqueio (para deslizamento de carreto) | 3 | Torno vertical | 4 | Botão de libertação (para ângulo de bisel do lado direito) |
| 5 | Suporte | 6 | Base giratória | 7 | Ponteiro (para o ângulo de esquadria) | 8 | Escala do ângulo de esquadria |
| 9 | Placa de corte | 10 | Caixa da lâmina | 11 | Parafuso de ajuste (para a linha do laser) | 12 | Parafuso de ajuste de alcance (para a linha do laser) |
| 13 | Resguardo da lâmina | 14 | Botão (para ângulo de bisel) | 15 | Chave hexagonal | 16 | Parafuso de ajuste (para a posição de limite inferior) |
| 17 | Perno de regulação (para a capacidade máxima de corte) | 18 | Placa de retenção | 19 | Alavanca de bloqueio (para a base giratória) | 20 | Alavanca de libertação (para a base giratória) |
| 21 | Punho (para a base giratória) | - | - | - | - | - | - |

► Fig.3

| | | | | | | | |
|----|--|----|---|----|--|----|--|
| 1 | Gatilho do interruptor | 2 | Botão de segurança | 3 | Furo para o cadeado | 4 | Interruptor (para a linha do laser) |
| 5 | Mangueira (para extração de poeiras) | 6 | Pino de bloqueio (para elevação de carreto) | 7 | Placa guia (placa inferior) | 8 | Placa guia (placa superior) |
| 9 | Saco do pó | 10 | Perno de regulação de 0° (para ângulo de bisel) | 11 | Escala do ângulo de bisel | 12 | Alavanca de libertação (para ângulo de bisel de 48°) |
| 13 | Alavanca de fecho (para ângulo de bisel) | 14 | Ponteiro (para ângulo de bisel) | 15 | Perno de regulação de 45° (para ângulo de bisel) | - | - |

INSTALAÇÃO

Instalar o punho

Aparafuse o eixo roscado do punho na base giratória.

► Fig.4: 1. Punho 2. Base giratória

Instalar a mangueira de extração de poeiras

Ligue a mangueira de extração de poeiras à ferramenta, conforme ilustrado.

Certifique-se de que o cotovelo e a manga encaixam adequadamente nas entradas da ferramenta.

► Fig.5: 1. Mangueira de extração de poeiras
2. Cotovelo 3. Manga 4. Entrada

Montagem da bancada

Quando a ferramenta é enviada, a pega está bloqueada na posição inferior pelo pino de bloqueio. Enquanto desce a pega ligeiramente, puxe o pino de bloqueio e rode-o 90°.

► Fig.6: 1. Posição bloqueada 2. Posição desbloqueada 3. Pino de bloqueio

Esta ferramenta deve estar fixa com quatro pernos numa superfície nivelada e estável utilizando os orifícios para os pernos fornecidos na base da ferramenta. Isto ajudará a evitar que tombe e a evitar possíveis ferimentos.

► Fig.7: 1. Perno

⚠AVISO: Certifique-se de que a ferramenta não se move na superfície de suporte. O movimento da serra de esquadria sobre a superfície de suporte durante o corte pode resultar em perda de controlo e provocar ferimentos pessoais graves.

DESCRIÇÃO FUNCIONAL

⚠️ AVISO: Certifique-se sempre de que a ferramenta está desligada e retirada da tomada antes de regular ou verificar o funcionamento da ferramenta. Se não desligar a ferramenta e retirar a ficha da tomada pode resultar em lesões físicas graves devido ao arranque accidental.

Resguardo da lâmina

► **Fig.8:** 1. Resguardo da lâmina

Ao descer a pega, o resguardo da lâmina sobe automaticamente. O resguardo dispõe de um dispositivo de mola pelo que volta à posição original depois de concluído o corte e quando se ergue a pega.

⚠️ AVISO: Nunca estrague ou retire o resguardo da lâmina ou o dispositivo de mola que prende o resguardo. Se estragar o resguardo, a lâmina exposta pode provocar ferimentos pessoais graves durante o funcionamento.

No interesse da sua segurança pessoal, mantenha sempre o resguardo da lâmina em bom estado. Qualquer funcionamento irregular do resguardo da lâmina deve ser imediatamente corrigido. Verifique para se assegurar que o retorno do resguardo com a mola funciona bem.

⚠️ AVISO: Nunca utilize a ferramenta se o resguardo da lâmina ou o dispositivo de mola estiverem danificados, avariados ou não estiverem montados. O funcionamento da ferramenta com um resguardo de segurança danificado, avariado ou retirado pode provocar ferimentos pessoais graves.

Se o resguardo da lâmina transparente ficar sujo ou partículas de pó aderirem de modo que a lâmina e/ou a peça de trabalho deixem de ser facilmente visíveis, retire a ficha da serra da tomada e limpe cuidadosamente o resguardo com um pano húmido. Não utilize solventes ou produtos de limpeza à base de petróleo no resguardo de segurança em plástico, pois esses podem danificá-lo.

Se o resguardo da lâmina estiver especialmente sujo e for impossível ver através do mesmo, retire a ficha da ferramenta da tomada e utilize a chave fornecida para soltar o perno de encaixe hexagonal que segura a cobertura central. Solte o perno de encaixe hexagonal rodando-o para a esquerda e levante o resguardo da lâmina e a cobertura central. Com o resguardo da lâmina posicionado dessa forma, é possível realizar uma limpeza mais completa e eficiente. Quando a limpeza estiver concluída, inverta o processo anterior e fixe o perno. Não retire a mola que prende o resguardo da lâmina. Se o resguardo ficar desbotado com o decorrer do tempo ou pela ação dos raios UV, contacte um centro de assistência Makita para obter um novo resguardo. NÃO FORCE NEM DESMONTE O RESGUARDO.

► **Fig.9:** 1. Cobertura central 2. Chave hexagonal 3. Resguardo da lâmina

Placas de corte

Esta ferramenta é fornecida com placas de corte na base giratória para minimizar a produção de estilhaços no lado de saída de um corte. As placas de corte foram reguladas na fábrica de modo a que a lâmina da serra não toque nas placas de corte. Antes da utilização regule as placas de corte como se segue:

► **Fig.10:** 1. Placa de corte

► **Fig.11:** 1. Corte de bisel à esquerda 2. Corte direito 3. Corte de bisel à direita 4. Lâmina da serra 5. Dentes da lâmina 6. Placa de corte

Em primeiro lugar, desligue a ferramenta da tomada. Desaperte todos os parafusos (2 em cada lado esquerdo e direito) que prendem as placas de corte até estas poderem ainda assim ser facilmente movidas manualmente. Desça completamente a pega e puxe e rode o pino de bloqueio para bloquear a pega na posição inferior. Solte o pino de bloqueio na braçadeira deslizante e puxe o carroto completamente na sua direção. Regule as placas de corte de modo a que contactem ligeiramente os lados dos dentes da lâmina. Aperte os parafusos da frente (não aperte demasiado). Empurre o carroto completamente na direção da placa guia e regule as placas de corte de modo a que contactem ligeiramente os lados dos dentes da lâmina. Aperte os parafusos de trás (não aperte demasiado).

Depois de regular as placas de corte, solte o pino de bloqueio e levante a pega. Em seguida aperte todos os parafusos firmemente.

OBSERVAÇÃO: Depois de regular o ângulo de bisel, certifique-se de que as placas de corte estejam ajustadas corretamente. O ajuste correto das placas de corte ajuda a proporcionar um suporte adequado à peça de trabalho, minimizando o desgaste da peça de trabalho.

Manter a máxima capacidade de corte

Esta ferramenta foi regulada na fábrica para fornecer a máxima capacidade de corte para uma lâmina de serra de 255 mm ou 260 mm.

Quando instalar uma nova lâmina, verifique sempre a posição limite inferior da lâmina e, se necessário, regule como se segue:

Em primeiro lugar, desligue a ferramenta da tomada. Rode a alavanca de bloqueio para a posição engatada.

► **Fig.12:** 1. Alavanca de bloqueio

Empurre o carroto completamente até à placa guia e desça a pega completamente.

Ajuste a posição da lâmina, rodando o perno de regulação com a chave hexagonal. A periferia da lâmina deve estender-se ligeiramente abaixo da superfície superior da base giratória e também chegar ao ponto em que a face frontal da placa guia entra em contacto com a superfície superior da base giratória.

► **Fig.13:** 1. Perno de regulação

► **Fig.14:** 1. Superfície superior da base giratória 2. Periferia da lâmina 3. Placa guia

Com a ferramenta desligada da tomada, rode a lâmina com a mão enquanto agarra na pega completamente para baixo para se certificar de que a lâmina não contacta qualquer parte da base inferior. Reajuste ligeiramente, se necessário.

Após a regulação, recoloque sempre a alavanca de bloqueio na posição original.

AVISO: Depois de instalar uma lâmina nova, e com a ferramenta desligada da tomada, certifique-se sempre de que a lâmina não toca em nenhuma parte da base inferior quando a pega se encontra totalmente descida. Se a lâmina entrar em contacto com a base, pode ocorrer um contragolpe e provocar ferimentos pessoais graves.

Placa de retenção

A posição limite inferior da lâmina pode ser facilmente regulada com a placa de retenção. Para regulá-la, rode a placa de retenção na direção da seta como indicado na figura. Rode o parafuso de ajuste de modo a que a lâmina pare na posição desejada quando descer a pega completamente.

► **Fig.15:** 1. Placa de retenção 2. Parafuso de ajuste

Regulação do ângulo de esquadria

PRECAUÇÃO: Depois de mudar o ângulo de esquadria, prenda sempre a base giratória apertando firmemente o punho.

OBSERVAÇÃO: Ao fazer rodar a base giratória, certifique-se de que levanta a pega totalmente.

► **Fig.16:** 1. Alavanca de bloqueio 2. Punho 3. Alavanca de libertação 4. Ponteiro

Rode o punho para a esquerda para desbloquear a base giratória. Rode o punho enquanto pressiona a alavanca de bloqueio para baixo para mover a base giratória. Alinha o ponteiro com o ângulo que deseja na escala e, em seguida, aperte o punho.

NOTA: Se pressionar a alavanca de libertação pode mover a base giratória sem pressionar a alavanca de bloqueio para baixo. Aperte o punho firmemente na posição que deseja.

Esta serra de esquadria utiliza uma função de paragem positiva. Pode definir rapidamente um ângulo de esquadria com 0°, 15°, 22,5°, 31,6°, 45° e 60° à direita/à esquerda. Para utilizar esta função, mova a base giratória próximo do ângulo de paragem positiva que deseja enquanto pressiona a alavanca de bloqueio para baixo. Em seguida, solte a alavanca de bloqueio e mova a base giratória para a frente até a base giratória ficar bloqueada.

Regulação do ângulo de bisel

OBSERVAÇÃO: Remova sempre as placas guia superiores e o torno vertical antes de ajustar o ângulo de bisel.

OBSERVAÇÃO: Quando muda os ângulos de bisel, certifique-se de que posiciona as placas de corte corretamente como explicado na secção "Placas de corte".

OBSERVAÇÃO: Ao inclinar a lâmina de serra, certifique-se de que levanta a pega totalmente.

1. Rode o botão na braçadeira deslizante para a esquerda.

► **Fig.17:** 1. Botão

2. Puxe e rode a alavanca de fecho para a posição, conforme ilustrado.

► **Fig.18:** 1. Alavanca de fecho

3. Faça a correspondência do ponteiro com o ângulo que deseja na escala movendo o carreto e, em seguida, aperte o botão.

► **Fig.19:** 1. Escala do ângulo de bisel 2. Ponteiro

Para inclinar o carreto para a direita, incline o carreto ligeiramente à esquerda e, em seguida, incline-o para a direita enquanto pressiona o botão de libertação para baixo.

► **Fig.20:** 1. Botão de libertação

Se realizar um corte de bisel superior a 45°, mova o carreto enquanto desliza a alavanca de libertação na direção da parte frontal da ferramenta. Pode realizar um corte de bisel até 48°.

► **Fig.21:** 1. Alavanca de libertação

Esta serra de esquadria utiliza uma função de paragem positiva. Pode definir rapidamente um ângulo de 22,5° e 33,9° à direita/à esquerda. Coloque a alavanca de fecho na posição, conforme ilustrado, e incline o carreto. Para alterar o ângulo, puxe a alavanca de fecho e incline o carreto.

► **Fig.22:** 1. Alavanca de fecho

PRECAUÇÃO: Depois de mudar o ângulo de bisel, prenda sempre o botão.

Bloqueio contra deslizamento

Para bloquear o movimento correção do carreto, empurre o carreto na direção da placa guia até parar. Puxe o pino de bloqueio e rode-o 90°.

► **Fig.23:** 1. Posição desbloqueada 2. Posição bloqueada 3. Pino de bloqueio

Ação do interruptor

⚠️ AVISO: Antes de ligar a ferramenta à corrente elétrica, certifique-se sempre de que o gatilho do interruptor funciona corretamente e volta para a posição de desligado quando libertado. Não carregue a fundo o gatilho do interruptor sem pressionar o botão de segurança. Esta ação pode estragar o interruptor. Utilizar uma ferramenta com um interruptor que não opera devidamente, pode provocar a perda de controlo e resultar em ferimentos pessoais graves.

⚠️ AVISO: NUNCA utilize a ferramenta sem que esta disponha de um gatilho totalmente operacional. Qualquer ferramenta com um interruptor inoperante é ALTAMENTE PERIGOSA e tem de ser reparada antes de ser utilizada novamente, caso contrário pode causar ferimentos pessoais graves.

⚠️ AVISO: NUNCA tente anular o botão de desbloqueio dando-lhe pancadas para baixo nem por qualquer outro meio. Um interruptor com um botão de desbloqueio anulado pode resultar em operação não intencional e em ferimentos pessoais graves.

⚠️ AVISO: NUNCA utilize a ferramenta se ela funcionar premindo apenas o gatilho, sem ter de carregar no botão de desbloqueio. Um interruptor que necessita de reparação pode resultar em operação não intencional e em ferimentos pessoais graves. Envie a ferramenta para um centro de assistência da Makita para receber uma reparação adequada ANTES de voltar a utilizá-la.

► **Fig.24:** 1. Gatilho do interruptor 2. Botão de segurança 3. Furo para o cadeado

Para evitar que o gatilho do interruptor seja acidentalmente acionado, existe um botão de segurança. Para iniciar a ferramenta pressione o botão de segurança e carregue no gatilho do interruptor. Liberte o gatilho do interruptor para parar.

Há um furo no gatilho do interruptor para instalar um cadeado e travar a ferramenta.

⚠️ AVISO: Não utilize um cadeado com haste ou cabo inferior a 6,35 mm (1/4") de diâmetro. Uma haste ou cabo menor pode não travar corretamente a ferramenta na posição de desligada e o funcionamento acidental pode provocar ferimentos pessoais graves.

Função eletrónica

Controlo de velocidade constante

A ferramenta é fornecida com um controlo de velocidade eletrónico que ajuda a manter uma velocidade de rotação constante da lâmina mesmo com carga. Uma velocidade de rotação constante da lâmina resulta num corte muito suave.

Funcionalidade de arranque suave

Esta função permite o arranque suave da ferramenta ao limitar o binário de arranque.

Ação do feixe do laser

Apenas para o modelo LS1019L

⚠️ PRECAUÇÃO: Nunca olhe diretamente para o feixe do laser. O feixe do laser direto poderá ferir os seus olhos.

Para ligar o feixe do laser, pressione a posição superior (I) do interruptor. Para desligar o feixe do laser, pressione a posição inferior (O) do interruptor.

► **Fig.25:** 1. Interruptor para laser

A linha do laser pode ser deslocada para o lado esquerdo ou direito da lâmina de serra, rodando o parafuso de ajuste do seguinte modo.

► **Fig.26:** 1. Parafuso de ajuste

1. Desaperte o parafuso de ajuste, rodando-o para a esquerda.

2. Com o parafuso de ajuste desapertado, deslize o parafuso de ajuste para a direita ou para a esquerda até o respetivo limite.

3. Aperte firmemente o parafuso de ajuste na posição em que este para de deslizar.

NOTA: A linha do laser é regulada na fábrica, de modo a ficar posicionada dentro de 1 mm da superfície lateral da lâmina (posição de corte).

NOTA: Quando a linha do laser aparece fosca e difícil de visualizar devido à luz solar direta, reposicione a área de trabalho num local em que existe menos luz solar direta.

Alinhar a linha do laser

Alinhe a linha de corte na sua peça de trabalho com a linha de laser.

► **Fig.27**

A) Quando pretender obter o tamanho correto no lado esquerdo da peça de trabalho, desloque a linha de laser para a esquerda da lâmina.

B) Quando pretender obter o tamanho correto no lado direito da peça de trabalho, desloque a linha de laser para a direita da lâmina.

NOTA: Utilize um revestimento de madeira contra a placa guia quando alinhar a linha de corte com a linha de laser no lado da placa guia no corte composto (ângulo de bisel de 45° e ângulo de esquadria à direita de 45°).

MONTAGEM

⚠️ AVISO: Certifique-se sempre de que a ferramenta está desligada e retirada da tomada antes de trabalhar na ferramenta. Se não desligar a ferramenta e retirar a ficha da tomada pode resultar em lesões físicas graves.

Armazenamento da chave hexagonal

Quando não a estiver a utilizar, guarde a chave hexagonal como indicado na figura para não a perder.

► **Fig.28:** 1. Chave hexagonal

Remover e instalar a lâmina de serra

⚠AVISO: Certifique-se sempre de que a ferramenta está desligada e retirada da tomada antes de instalar ou remover a lâmina. O arranque acidental da ferramenta pode resultar em ferimentos pessoais graves.

⚠AVISO: Utilize apenas a chave da Makita fornecida para instalar ou retirar a lâmina. Se não utilizar a chave pode resultar em aperto excessivo ou insuficiente do perno de encaixe hexagonal e em lesões físicas graves.

Bloqueie sempre o carroto com a a posição elevada quando remover e instalar a lâmina. Puxe o pino de bloqueio e rode-o 90° com o carroto elevado.

► **Fig.29:** 1. Posição desbloqueada 2. Posição bloqueada 3. Pino de bloqueio

Remover a lâmina

Liberte o perno de encaixe hexagonal que prende a cobertura central utilizando a chave hexagonal. Levante o resguardo da lâmina e a cobertura central.

► **Fig.30:** 1. Cobertura central 2. Chave hexagonal 3. Resguardo da lâmina

Pressione o travão do eixo para bloquear o veio e utilize a chave hexagonal para libertar o perno de encaixe hexagonal. Em seguida, retire o perno de encaixe hexagonal, a flange exterior e a lâmina.

► **Fig.31:** 1. Travão do eixo 2. Chave hexagonal 3. Perno de encaixe hexagonal (rosca para a esquerda) 4. Soltar 5. Apertar

Instalar a lâmina

Monte a lâmina com cuidado no veio, certificando-se de que a direção da seta na superfície da lâmina corresponde à direção da seta na caixa da lâmina.

► **Fig.32:** 1. Seta na caixa da lâmina 2. Seta na lâmina

Instale a flange exterior e o perno de encaixe hexagonal. Aperte o perno de encaixe hexagonal para a esquerda utilizando a chave hexagonal enquanto pressiona o travão do eixo.

► **Fig.33:** 1. Perno de encaixe hexagonal 2. Flange exterior 3. Lâmina da serra 4. Flange interior 5. Veio 6. Anel

OBSERVAÇÃO: Se a flange interior for removida, instale-a no veio com a saliência virada para longe da lâmina. Se a flange for instalada incorretamente, a flange irá roçar contra a máquina.

Volte a colocar o resguardo da lâmina e a cobertura central na sua posição original. Em seguida aperte o perno de encaixe hexagonal para a direita para prender a cobertura central. Desbloqueie o pino de bloqueio para soltar o carroto da posição elevada. Desça a pega para se certificar que o resguardo da lâmina funciona corretamente. Certifique-se de que o travão do eixo soltou o veio antes de realizar o corte.

⚠AVISO: Antes de montar a lâmina no veio, certifique-se sempre de que o anel correto para o furo do suporte da lâmina que pretende utilizar está instalado entre as flanges interior e exterior. A utilização do anel do furo de suporte incorreto pode resultar na montagem imprópria da lâmina, causando o movimento da lâmina e forte vibração, o que resulta na possível perda de controlo durante o funcionamento e em lesões físicas graves.

Ligar um aspirador

Quando pretender realizar uma operação de corte limpa, ligue um aspirador Makita ao bocal do pó utilizando punhos frontais 24 (acessório opcional).

► **Fig.34:** 1. Punhos frontais 24 2. Mangueira 3. Aspirador

Saco do pó

A utilização do saco do pó torna as operações de corte limpas e a recolha do pó fácil. Para instalar o saco do pó, remova a mangueira de extração de poeiras na ferramenta e ligue o saco do pó.

► **Fig.35:** 1. Mangueira de extração de poeiras 2. Saco do pó

Quando o saco do pó se encontrar meio cheio, retire-o da ferramenta e tire o fecho. Esvazie o saco do pó, batendo-lhe ligeiramente para remover as partículas aderentes no interior que podem dificultar a recolha.

► **Fig.36:** 1. Fecho

Prender a peça de trabalho

⚠AVISO: É de extrema importância prender sempre a peça de trabalho de maneira correta com o tipo de torno ou bloqueios de moldura apropriados. A não observância desta instrução pode resultar em ferimentos pessoais graves e danificar a ferramenta e/ou a peça de trabalho.

⚠AVISO: Depois de terminar o corte, não levante a lâmina até que esta esteja completamente parada. Levantar a lâmina enquanto está a rodar por inércia pode causar ferimentos pessoais graves e danificar a peça de trabalho.

⚠AVISO: Ao cortar uma peça de trabalho mais comprida do que a base de suporte da serra, o material deve ser apoiado em todo o seu comprimento, para além da base de suporte e na mesma altura, a fim de mantê-lo nivelado. O apoio adequado da peça de trabalho ajuda a evitar o encravamento da lâmina e um possível contragolpe, o que pode resultar em lesões pessoais graves. Não confie apenas no torno vertical e/ou horizontal para efeitos de fixação da peça de trabalho. O material fino tende a dobrar. Apoie a peça de trabalho em todo o comprimento, para evitar esmagamentos e eventuais CONTRAGOLPES.

► **Fig.37:** 1. Suporte 2. Base giratória

Placas guia

⚠️ AVISO: Antes de operar a ferramenta, certifique-se de que a placa superior está firmemente segura.

⚠️ AVISO: Antes de realizar o corte em bisel, certifique-se de que nenhuma parte da ferramenta, especialmente a lâmina, estabelece contacto com as placas superior e inferior quando descer e levantar completamente a pega em qualquer posição e enquanto move o carreto ao longo do respetivo alcance completo de deslocação. Se a ferramenta ou lâmina entrar em contacto com a placa, pode resultar em contragolpe ou no movimento inesperado do material e provocar lesões pessoais graves.

Utilize placas superiores para apoiar o material numa posição mais elevada do que as placas inferiores. Introduza a placa superior no furo existente na placa inferior e aperte o parafuso de aperto.

► **Fig.38:** 1. Placa superior 2. Placa inferior
3. Parafuso de aperto 4. Parafuso de ajuste

OBSERVAÇÃO: As placas inferiores são fixas na base na fábrica. Não remova as placas inferiores.

OBSERVAÇÃO: Se a placa superior ainda estiver solta após apertar o parafuso de aperto, rode o parafuso de ajuste para fechar uma lacuna. O parafuso de ajuste é regulado na fábrica. Não tem de utilizá-lo, salvo necessário.

Pode guardar as placas superiores no suporte quando não estiver a utilizá-las. Utilize o clipe na placa superior para segurá-la no suporte.

► **Fig.39:** 1. Suporte 2. Placa superior 3. Clipe

Torno vertical

⚠️ AVISO: A peça de trabalho tem de ser fixa com segurança contra a base giratória, e a placa guia com o torno durante todas as operações. Se a peça de trabalho não estiver devidamente segura contra a placa, o material pode mover-se durante a operação de corte provocando eventuais danos na lâmina, fazendo com que seja projetado e ocorra a perda de controlo, resultando em lesões pessoais graves.

► **Fig.40:** 1. Braço do torno 2. Varão do torno
3. Parafuso de aperto 4. Botão do torno

O torno vertical pode ser instalado em duas posições no lado esquerdo ou direito da base. Insira o varão do torno no furo na base.

Posicione o braço do torno de acordo com a espessura e forma da peça de trabalho e prenda o braço do torno apertando o parafuso. Se o parafuso de aperto entrar em contacto com o carreto, instale-o no lado oposto do braço do torno. Certifique-se de que nenhuma parte da ferramenta contacta o torno quando desce completamente a pega. Se algumas partes contactar o torno, volte a posicionar o torno. Pressione a peça de trabalho direita contra a placa guia e a base giratória. Posicione a peça de trabalho na posição de corte desejada e fixe-a com firmeza apertando o botão do torno.

NOTA: Para regular rapidamente a peça de trabalho, rodar o botão do torno 90° para a esquerda permite que o botão do torno seja movido para cima e para baixo. Para fixar a peça de trabalho após a regulação, rode o botão do torno para a direita.

Torno horizontal

Acessório opcional

⚠️ AVISO: Rode sempre a porca do torno para a direita até a peça de trabalho ficar devidamente segura. Se a peça de trabalho não estiver devidamente segura, o material pode mover-se durante a operação de corte provocando eventuais danos na lâmina, fazendo com que seja projetado e ocorra a perda de controlo, resultando em lesões pessoais graves.

⚠️ AVISO: Quando cortar uma peça de trabalho fina, tais como rodapés, contra a placa, utilize sempre o torno horizontal.

O torno horizontal pode ser instalado em duas posições no lado esquerdo ou direito da base. Quando realizar cortes de esquadria com 22,5° ou superiores, instale o torno horizontal no lado oposto da direção na qual a base giratória deve ser rodada.

► **Fig.41:** 1. Placa do torno 2. Porca do torno 3. Botão do torno

Ao virar a porca do torno para a esquerda, o torno é solto e move-se rapidamente para dentro e para fora. Para agarrar a peça de trabalho, empurre o botão do torno para a frente até a placa do torno entrar em contacto com a peça de trabalho e vire a porca do torno para a direita. Em seguida, rode o botão do torno para a direita para fixar a peça de trabalho.

NOTA: A largura máxima da peça de trabalho que pode ser fixada pelo torno horizontal é 228 mm.

Suportes

⚠️ AVISO: Suporte sempre as peças de trabalho compridas de forma que fiquem niveladas com a superfície superior da base giratória para obter cortes precisos e evitar o perigo de perda de controlo. O apoio adequado da peça de trabalho ajuda a evitar o encravamento da lâmina e um possível contragolpe, o que pode resultar em lesões pessoais graves.

Para segurar peças de trabalho compridas na horizontal, a ferramenta possui suportes nos dois lados. Desaperte os parafusos e estenda os suportes até o comprimento apropriado para segurar a peça de trabalho. Em seguida, aperte os parafusos.

► **Fig.42:** 1. Suporte 2. Parafuso

OPERAÇÃO

⚠️ AVISO: Verifique se a lâmina não está em contacto com a peça de trabalho, etc., antes de ligar o interruptor. Ligar a ferramenta enquanto a lâmina está em contacto com a peça de trabalho pode provocar contragolpes e ferimentos pessoais graves.

⚠️ AVISO: Depois de terminar o corte, não levante a lâmina até que esta esteja completamente parada. Levantar a lâmina enquanto está a rodar por inércia pode causar ferimentos pessoais graves e danificar a peça de trabalho.

⚠️ AVISO: Não realize qualquer ajuste, tal como rodar o punho, o botão e as alavancas na ferramenta enquanto a lâmina estiver a rodar. Se realizar o ajuste enquanto a lâmina estiver a rodar pode resultar em lesões pessoais graves.

OBSERVAÇÃO: Antes de utilizar, certifique-se de que desbloqueia o pino de bloqueio e que solta a pega da posição inferior.

OBSERVAÇÃO: Não aplique pressão excessiva na pega enquanto corta. Força demasiada pode resultar em sobrecarga do motor e/ou diminuição de eficiência do corte. Empurre a pega para baixo só com a força necessária para um corte suave e sem diminuição significativa da velocidade da lâmina.

OBSERVAÇÃO: Pressione suavemente a pega para baixo para executar o corte. Se a pega for pressionada para baixo com força ou se aplicar força lateral, a lâmina poderá vibrar e deixará uma marca (marca da serra) na peça de trabalho e o corte poderá não ser perfeito.

OBSERVAÇÃO: Quando executa corte correção empurre o carroto suavemente na direção da placa guia sem parar. Se o movimento do carroto parar durante o corte, ficará uma marca na peça de trabalho e a precisão do corte será prejudicada.

Corte de pressão

⚠️ AVISO: Bloqueie sempre o movimento correção do carroto quando realizar um corte de pressão. Realizar cortes sem bloqueio pode causar um eventual contragolpe, o qual pode resultar em lesões pessoais graves.

As peças de trabalho até 68 mm de altura e 160 mm de largura podem ser cortadas da seguinte forma.

► **Fig.43:** 1. Pino de bloqueio

1. Empurre o carroto completamente na direção da placa guia e bloqueie-o com o pino de bloqueio.
2. Prenda a peça de trabalho com o tipo de torno apropriado.
3. Ligue a ferramenta sem que a lâmina faça qualquer contacto e espere até que a lâmina atinja toda a velocidade antes de a descer.
4. Desça a pega suavemente para a posição completamente descida para cortar a peça de trabalho.
5. Quando o corte está concluído, desligue a ferramenta e aguarde até a lâmina parar completamente antes de voltar a colocar a lâmina na sua posição totalmente elevada.

Corte correção (empurrão) (corte de peças largas)

⚠️ AVISO: Quando executa o corte correção, primeiro puxe os carretos completamente para si e pressione a pega para a posição mais baixa e, em seguida, empurre os carretos na direção da placa guia. Nunca inicie o corte sem que o carroto esteja completamente puxado para si. Se executar o corte correção sem puxar completamente o carroto para si, pode ocorrer um contragolpe inesperado e causar ferimentos pessoais graves.

⚠️ AVISO: Nunca tente executar o corte correção puxando o carroto para si. Puxar o carroto para si enquanto executa o corte pode provocar um contragolpe inesperado e provocar ferimentos pessoais graves.

⚠️ AVISO: Nunca execute o corte correção com a pega bloqueada na posição inferior.

► **Fig.44:** 1. Pino de bloqueio

1. Desbloqueie o pino de bloqueio para que o carroto deslize livremente.
2. Prenda a peça de trabalho com o tipo de torno apropriado.
3. Puxe os carretos completamente para si.
4. Ligue a ferramenta sem que a lâmina faça qualquer contacto e espere até que a lâmina atinja a velocidade máxima.
5. Empurre a pega para baixo e empurre os carretos até à placa guia e ao longo da peça de trabalho.
6. Quando o corte está concluído, desligue a ferramenta e aguarde até a lâmina parar completamente antes de voltar a colocar a lâmina na sua posição totalmente elevada.

Corte de esquadria

Refira-se à descrição anterior em "Regulação do ângulo de esquadria".

Corte de bisel

⚠️ AVISO: Depois de regular a lâmina para um corte de bisel, verifique, antes de operar a ferramenta, se o carroto e a lâmina poderão se deslocar livremente por toda a distância do corte desejado. A interrupção do deslocamento do carroto ou da lâmina durante o corte pode provocar um contragolpe e causar ferimentos pessoais graves.

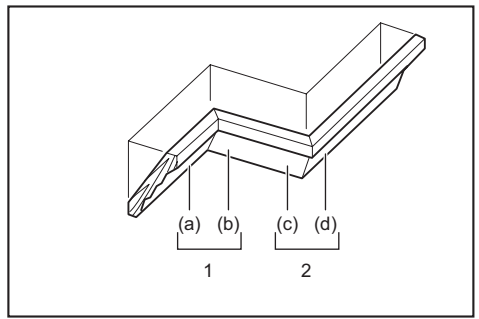
⚠️ AVISO: Mantenha as mãos afastadas do percurso da lâmina durante um corte de bisel. O ângulo da lâmina pode confundir o operador com respeito ao percurso real da lâmina durante o corte, e o contacto com a lâmina pode provocar ferimentos pessoais graves.

⚠️ AVISO: Não levante a lâmina antes de estar completamente parado. Durante o corte de bisel, o pedaço cortado pode ficar encostado à parte lateral da lâmina. Se levantar a lâmina enquanto está ainda a rodar, o bocado pode ser atirado pela lâmina e fragmentar-se, provocando ferimentos pessoais graves.

OBSERVAÇÃO: Quando descer a pega, exerça pressão paralelamente pela lâmina. Se a força for exercida perpendicularmente à base giratória ou se mudar a direção da pressão durante o corte, provocará um corte imperfeito.

► **Fig.45**

1. Remova a placa superior no lado para o qual vai inclinar o carroto.
2. Desbloqueie o pino de bloqueio.
3. Ajuste o ângulo de bisel de acordo com o procedimento explicado na secção "Regulação do ângulo de bisel". Em seguida, aperte o botão.
4. Prenda a peça de trabalho com um torno.
5. Puxe os carretos completamente para si.
6. Ligue a ferramenta sem que a lâmina faça qualquer contacto e espere até que a lâmina atinja a velocidade máxima.
7. Baixe suavemente a pega até à posição mais baixa ao mesmo tempo que aplica pressão em paralelo com a lâmina e **empurra o carroto em direção à placa guia para cortar a peça de trabalho.**
8. Quando o corte está concluído, desligue a ferramenta e **aguarde até a lâmina parar completamente** antes de voltar a colocar a lâmina na sua posição totalmente elevada.



1. Canto interno 2. Canto externo

Corte composto

Corte composto é o processo em que um ângulo de bisel é feito ao mesmo tempo em que um ângulo de esquadria é cortado na peça de trabalho. O corte composto pode ser executado no ângulo indicado na tabela.

| Ângulo de esquadria | Ângulo de bisel |
|-----------------------------|-----------------------------|
| Esquerdo e direito 0° - 45° | Esquerdo e direito 0° - 45° |

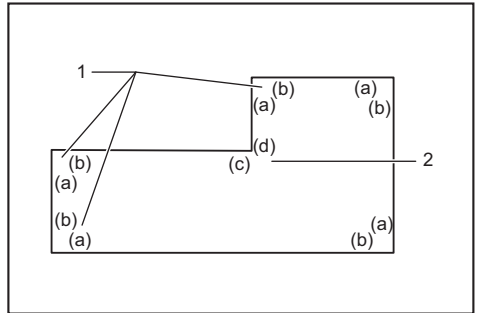
Quando executar o corte composto, consulte as explicações sobre "Corte de pressão", "Corte correção (empurrão)", "Corte de esquadria" e "Corte de bisel".

Corte de sancas e molduras

As sancas e molduras podem ser cortadas com uma serra de esquadria composta colocando-se as molduras retas na base giratória. Há dois tipos comuns de molduras e um tipo de sanca; molduras com ângulos de 52/38° e 45° e sancas com ângulo de 45°.

► **Fig.46:** 1. Moldura do tipo 52/38° 2. Moldura do tipo 45° 3. Sanca do tipo 45°

Há juntas de sancas e molduras que são próprias para encaixar em cantos "internos" de 90° ((a) e (b) na figura) e cantos "externos" de 90° ((c) e (d) na figura).



1. Canto interno 2. Canto externo

Medir

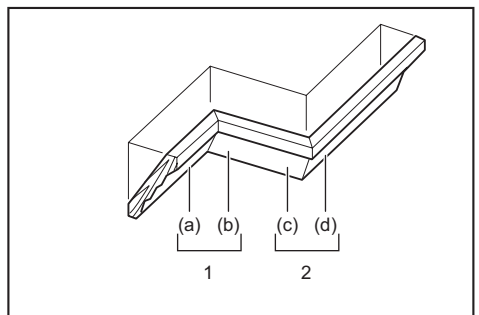
Meça a largura da parede e ajuste a largura da peça de trabalho de acordo com a mesma. Certifique-se sempre de que a largura da extremidade de contacto da parede com a peça de trabalho é a mesma do comprimento da parede.

► **Fig.47:** 1. Peça de trabalho 2. Largura da parede 3. Largura da peça de trabalho 4. Extremidade de contacto da parede

Corte sempre vários pedaços para fazer cortes de teste a fim de verificar os ângulos da serra.

Ao cortar sancas e molduras, regule o ângulo de bisel e o ângulo de esquadria como indicado na tabela (A) e posicione as molduras na superfície superior da base da serra como indicado na tabela (B).

Corte de bisel para a esquerda



1. Canto interno 2. Canto externo

Tabela (A)

| - | Posição da moldura na figura | Ângulo de bisel | | Ângulo de esquadria | |
|--------------------|------------------------------|-----------------|--------------|---------------------|----------------|
| | | Tipo 52/38° | Tipo 45° | Tipo 52/38° | Tipo 45° |
| Para canto interno | (a) | Esquerdo 33,9° | Esquerdo 30° | Direito 31,6° | Direito 35,3° |
| | (b) | | | Esquerdo 31,6° | Esquerdo 35,3° |
| Para canto externo | (c) | | | Direito 31,6° | Direito 35,3° |
| | (d) | | | Direito 31,6° | Direito 35,3° |

Tabela (B)

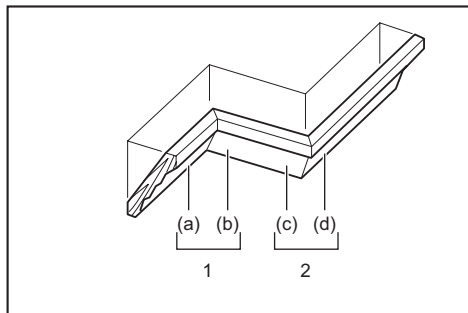
| - | Posição da moldura na figura | Borda da moldura contra a placa guia | Peça acabada |
|--------------------|------------------------------|--|---|
| Para canto interno | (a) | A borda de contacto com o teto deve ficar contra a placa guia. | A peça acabada ficará no lado esquerdo da lâmina. |
| | (b) | A borda de contacto com a parede deve ficar contra a placa guia. | |
| Para canto externo | (c) | A borda de contacto com o teto deve ficar contra a placa guia. | A peça acabada ficará no lado direito da lâmina. |
| | (d) | A borda de contacto com a parede deve ficar contra a placa guia. | |

Exemplo:

Se cortar uma moldura do tipo 52/38° para a posição (a) na figura acima:

- Incline e prenda a regulação do ângulo de bisel em 33,9° para a ESQUERDA.
- Ajuste e prenda a regulação do ângulo de esquadria em 31,6° para a DIREITA.
- Coloque a moldura na serra com a superfície traseira mais larga (oculta) na base giratória e com a BORDA DE CONTACTO COM O TETO contra a placa guia.
- A peça acabada a ser utilizada ficará sempre no lado ESQUERDO da lâmina depois de cortar.

No caso do corte de bisel para a direita



1. Canto interno 2. Canto externo

Tabela (A)

| - | Posição da moldura na figura | Ângulo de bisel | | Ângulo de esquadria | |
|--------------------|------------------------------|-----------------|-------------|---------------------|----------------|
| | | Tipo 52/38° | Tipo 45° | Tipo 52/38° | Tipo 45° |
| Para canto interno | (a) | Direito 33,9° | Direito 30° | Direito 31,6° | Direito 35,3° |
| | (b) | | | Esquerdo 31,6° | Esquerdo 35,3° |
| Para canto externo | (c) | | | Direito 31,6° | Direito 35,3° |
| | (d) | | | Direito 31,6° | Direito 35,3° |

Tabela (B)

| - | Posição da moldura na figura | Borda da moldura contra a placa guia | Peça acabada |
|--------------------|------------------------------|--|---|
| Para canto interno | (a) | A borda de contacto com a parede deve ficar contra a placa guia. | A peça acabada ficará no lado direito da lâmina. |
| | (b) | A borda de contacto com o teto deve ficar contra a placa guia. | |
| Para canto externo | (c) | A borda de contacto com a parede deve ficar contra a placa guia. | A peça acabada ficará no lado esquerdo da lâmina. |
| | (d) | A borda de contacto com o teto deve ficar contra a placa guia. | |

Exemplo:

Se cortar uma moldura do tipo 52/38° para a posição (a) na figura acima:

- Incline e prenda a definição do ângulo de bisel em 33,9° para a DIREITA.
- Ajuste e prenda a regulação do ângulo de esquadria em 31,6° para a DIREITA.
- Coloque a moldura na serra com a superfície traseira mais larga (oculta) na base giratória e com a BORDA DE CONTACTO COM A PAREDE contra a placa guia.
- A peça acabada a ser utilizada ficará sempre no lado DIREITO da lâmina depois de cortar.

Bloqueio de moldura

Acessório opcional

Os bloqueios de moldura permitem realizar cortes mais fáceis da moldura sem inclinar a lâmina de serra. Instale-os na base giratória como indicado nas figuras.

Ângulo de esquadria de 45° para a direita

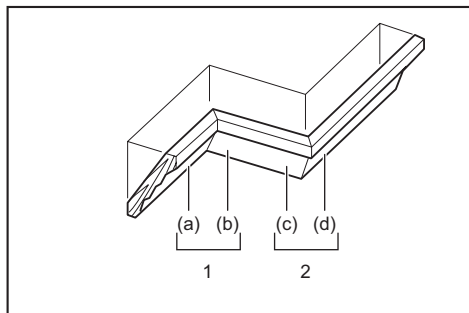
► Fig.48: 1. Bloqueio de moldura E 2. Bloqueio de moldura D 3. Base giratória 4. Placa guia

Ângulo de esquadria de 45° para a esquerda

► Fig.49: 1. Bloqueio de moldura E 2. Bloqueio de moldura D 3. Base giratória 4. Placa guia

Posicione a moldura com a respetiva BORDA DE CONTACTO COM A PAREDE contra a placa guia e a respetiva BORDA DE CONTACTO COM O TETO contra os bloqueios da moldura, conforme apresentado na figura. Ajuste os bloqueios da moldura de acordo com o tamanho da moldura. Aperte os parafusos para fixar os bloqueios da moldura. Consulte a tabela (C) para o ângulo de esquadria.

► **Fig.50:** 1. Placa guia 2. Bloqueio de moldura



1. Canto interno 2. Canto externo

Tabela (C)

| – | Posição da moldura na figura | Ângulo de esquadria | Peça acabada |
|--------------------|------------------------------|---------------------|-----------------------------------|
| Para canto interno | (a) | Direito 45° | Guardar o lado direito da lâmina |
| | (b) | Esquerdo 45° | Guardar o lado esquerdo da lâmina |
| Para canto externo | (c) | | Guardar o lado direito da lâmina |
| | (d) | Direito 45° | Guardar o lado esquerdo da lâmina |

Corte de extrusão de alumínio

► **Fig.51:** 1. Torno 2. Bloco espaçador 3. Placa guia 4. Extrusão de alumínio 5. Bloco espaçador

Quando fixar extrusões de alumínio, utilize blocos espaçadores ou pedaços de refugo, como indicado na figura, para evitar deformações do alumínio. Quando cortar extrusões de alumínio, utilize um lubrificante de corte para evitar a acumulação do material de alumínio na lâmina.

AVISO: Nunca tente executar o corte de extrusões em alumínio grossas ou redondas. As extrusões em alumínio grossas ou redondas podem ser difíceis de fixar e a peça de trabalho pode soltar durante a operação de corte, o que pode resultar na perda de controlo e em lesões pessoais graves.

Corte de ranhura

AVISO: Não tente executar este tipo de corte usando uma lâmina larga ou uma lâmina dado. Tentar cortar ranhuras com uma lâmina larga ou uma lâmina dado pode resultar em cortes imprevistos bem como contragolpes, o que pode provocar ferimentos pessoais graves.

AVISO: Certifique-se que volta a colocar a placa de retenção na posição original quando executa cortes que não sejam de ranhuras. Tentar cortar com a placa de retenção na posição incorreta pode resultar em cortes imprevistos e contragolpes, o que pode resultar em ferimentos pessoais graves.

Para um corte do tipo dado, realize o seguinte:

1. Regule a posição inferior da lâmina utilizando os parafusos de regulação e a placa de retenção para limitar a profundidade de corte da lâmina. Refira-se à secção “Placa de retenção” descrita anteriormente.
2. Depois de regular a posição de limite inferior da lâmina, corte ranhuras paralelas ao longo da largura da peça de trabalho utilizando um corte deslizante (empurrão).

► **Fig.52:** 1. Corte de ranhuras com a lâmina

3. Retire o material da peça de trabalho entre as ranhuras com um cinzel.

Transporte de ferramenta

Antes de realizar o transporte, certifique-se de que retira a ficha da tomada e que todas as peças móveis da serra de esquadria estão fixas. Verifique sempre o seguinte:

- A ferramenta está desligada.
- O carroto está numa posição de ângulo de bisel de 0° e fixo.
- O carroto está descido e bloqueado.
- O carroto está totalmente deslizado até a placa guia e bloqueado.
- A base giratória está na posição de ângulo de esquadria totalmente à direita e fixa.
- Os suportes estão armazenados e fixos.

Transporte a ferramenta agarrando nos dois lados da base da ferramenta, conforme apresentado na figura.

► **Fig.53**

AVISO: O pino de bloqueio para a elevação do carroto serve apenas para fins de transporte e armazenamento e não para operações de corte. A utilização do pino de bloqueio para operações de corte pode provocar movimento inesperado da lâmina da serra e resultar em contragolpe e ferimentos pessoais graves.

PRECAUÇÃO: Fixe sempre os componentes móveis antes de proceder ao transporte da ferramenta. Se peças da ferramenta se movem ou deslizam durante o transporte, pode ocorrer a perda de controlo ou balanço e resultar em lesões pessoais.

MANUTENÇÃO

⚠️ AVISO: Certifique-se sempre de que a ferramenta está desligada e retirada da tomada antes de tentar realizar a inspeção ou manutenção. Se não desligar a ferramenta e retirar a ficha da tomada pode resultar no arranque acidental da ferramenta, o que pode resultar em lesões físicas graves.

⚠️ AVISO: Certifique-se sempre de que a lâmina se encontra afiado e limpo, para obter um desempenho otimizado e seguro. Tentar cortar com uma lâmina não afiada e/ou suja pode causar contragolpes e provocar ferimentos pessoais graves.

OBSERVAÇÃO: Nunca utilize gasolina, benzina, diluente, álcool ou produtos semelhantes. Pode ocorrer a descoloração, deformação ou rachaduras.

Regulação do ângulo do corte

Esta ferramenta foi cuidadosamente regulada e alinhada na fábrica, mas manuseamento pouco cuidado pode afetar o alinhamento. Se a sua ferramenta não estiver alinhada corretamente proceda como se segue:

Ângulo de esquadria

Desça a pega completamente e prenda-a na posição inferior com o pino de bloqueio. Empurre o carroto na direção da placa guia. Solte o punho e os parafusos que fixam o ponteiro e a escala de ângulo de esquadria.

► **Fig.54:** 1. Parafuso no ponteiro 2. Parafusos na escala do ângulo de esquadria 3. Escala do ângulo de esquadria

Coloque a base giratória na posição 0° utilizando a função de paragem positiva. Coloque a parte lateral da lâmina em esquadria com a superfície da placa guia utilizando uma régua triangular ou esquadro. Enquanto mantém a esquadria, aperte os parafusos na escala de ângulo de esquadria. Depois disso, alinhe os ponteiros (direito e esquerdo) com a posição 0° na escala de ângulo de esquadria e, em seguida, aperte o parafuso no ponteiro.

► **Fig.55:** 1. Régua triangular

Ângulo de bisel

Ângulo de bisel de 0°

Empurre o carroto na direção da placa guia e bloqueie o movimento correção com o pino de bloqueio. Desça a pega completamente e prenda-a na posição inferior com o pino de bloqueio e, em seguida, solte o botão. Rode o perno de regulação de 0° duas ou três voltas para a esquerda para inclinar a lâmina para a direita.

► **Fig.56:** 1. Perno de regulação de 0° 2. Parafuso

Coloque cuidadosamente a parte lateral da lâmina em esquadria com a superfície superior da base giratória utilizando uma régua triangular, esquadro, etc., rodando o perno de regulação de 0° para a direita. Em seguida aperte o botão firmemente para fixar o ângulo de 0° que definiu.

► **Fig.57:** 1. Régua triangular 2. Lâmina da serra 3. Superfície superior da base giratória

Verifique novamente se o lado da lâmina fica em esquadria com a superfície da base giratória. Desaperte o parafuso no ponteiro. Alinhe o ponteiro com a posição 0° na escala de ângulo de bisel e, em seguida, aperte o parafuso.

Ângulo de bisel de 45°

OBSERVAÇÃO: Antes de ajustar o ângulo de bisel de 45°, conclua o ajuste do ângulo de bisel de 0°.

Solte o botão e incline o carroto completamente para o lado que deseja inspecionar. Verifique se o ponteiro indica a posição de 45° na escala de ângulo de bisel.

► **Fig.58**

Se o ponteiro não indicar a posição de 45°, alinhe-o com a posição de 45°, rodando o perno de regulação no lado oposto da escala de ângulo de bisel.

► **Fig.59:** 1. Perno de regulação de 45° à esquerda 2. Perno de regulação de 45° à direita

Ajustar a posição da linha do laser

Apenas para o modelo LS1019L

⚠️ AVISO: A ferramenta deve estar ligada à tomada enquanto ajusta a linha de laser. Tenha cuidado redobrado para não ligar a ferramenta durante o ajuste. O arranque acidental da ferramenta pode resultar em ferimentos pessoais graves.

⚠️ PRECAUÇÃO: Nunca olhe diretamente para o feixe do laser. A exposição direta dos olhos ao feixe pode causar danos graves nos seus olhos.

OBSERVAÇÃO: Verifique regularmente a precisão da posição da linha de laser.

OBSERVAÇÃO: Tenha cuidado com os impactos para a ferramenta. Pode fazer com que a linha de laser fique desalinhada ou pode causar danos no laser, reduzindo a sua vida útil.

OBSERVAÇÃO: Solicite a reparação da ferramenta por um centro de assistência autorizado da Makita para qualquer falha na unidade de laser.

O alcance móvel da linha do laser é decidida pelos parafusos de ajuste de alcance em ambos os lados. Realize os seguintes procedimentos para alterar a posição da linha do laser.

1. Desligue a ferramenta da tomada.
2. Desenhe uma linha de corte na peça de trabalho e coloque-a na base giratória. Neste momento, não fixe a peça de trabalho com um torno ou dispositivo de fixação similar.
3. Desça a pega e alinhe a linha de corte com a lâmina de serra.
4. Recoloque a pega na posição original e fixe a peça de trabalho com o torno vertical, de modo a que a peça de trabalho não se mova da posição que determinou.
5. Ligue a ferramenta à tomada e ligue o interruptor do laser.

6. Desaperte o parafuso de ajuste. Para afastar a linha de laser da lâmina, rode os parafusos de ajuste de alcance para a esquerda. Para aproximar a linha de laser à lâmina, rode os parafusos de ajuste de alcance para a direita.

Ajustar a linha de laser no lado esquerdo da lâmina

► **Fig.60:** 1. Parafuso de ajuste 2. Parafuso de ajuste de alcance 3. Chave hexagonal 4. Linha do laser 5. Lâmina da serra

Ajustar a linha de laser no lado direito da lâmina

► **Fig.61:** 1. Parafuso de ajuste 2. Parafuso de ajuste de alcance 3. Chave hexagonal 4. Linha do laser 5. Lâmina da serra

7. Deslize o parafuso de ajuste para a posição na qual a linha do laser encontra a linha de corte e aperte-o em seguida.

NOTA: O alcance móvel da linha do laser é regulado na fábrica em 1 mm (0,04") a partir da superfície lateral da lâmina.

Limpar a lente da luz do laser

Apenas para o modelo LS1019L

A luz do laser torna-se difícil de ver, dado que a lente para a luz do laser fica suja. Limpe a lente para a luz do laser periodicamente.

► **Fig.62:** 1. Parafuso 2. Lente

Desligue a ferramenta da tomada. Desaperte o parafuso e remova a lente. Limpe a lente delicadamente com um pano macio húmido.

OBSERVAÇÃO: Não remova o parafuso que prende a lente. Se a lente não sair, continue a soltar o parafuso.

OBSERVAÇÃO: Não utilize solventes ou produtos de limpeza à base de petróleo na lente.

Substituir as escovas de carvão

► **Fig.63:** 1. Marca de limitação

Remova e verifique as escovas de carvão regularmente. Substitua-as quando estiverem gastas até à marca de limitação. Mantenha as escovas de carvão limpas e desimpedidas para deslizar nos suportes. As duas escovas de carvão devem ser substituídas ao mesmo tempo. Utilize apenas escovas de carvão idênticas.

Utilize uma chave de parafusos para remover as tampas do suporte da escova. Retire as escovas de carvão gastas, insira as novas e fixe as tampas do suporte da escova.

► **Fig.64:** 1. Tampa do suporte da escova

Após substituir as escovas, ligue a ferramenta à tomada e insira as escovas, operando a ferramenta sem carga durante cerca de 10 minutos. Em seguida, verifique a ferramenta enquanto opera e o funcionamento do travão elétrico quando soltar o gatilho do interruptor. Se o travão elétrico não estiver a funcionar corretamente, solicite a reparação da ferramenta por um centro de assistência Makita.

Depois da utilização

Depois da utilização, limpe as aparas e o pó que aderiu à ferramenta com um pano ou material semelhante. Mantenha o resguardo da lâmina limpo conforme instruções constantes da anterior secção com o título "Resguardo da lâmina". Lubrifique os componentes deslizantes com óleo de máquina para evitar a ferrugem.

Para manter a SEGURANÇA e a FIABILIDADE do produto, as reparações e qualquer outra manutenção ou ajuste devem ser levados a cabo pelos centros de assistência Makita autorizados ou pelos centros de assistência de fábrica, utilizando sempre peças de substituição Makita.

ACESSÓRIOS OPCIONAIS

AVISO: Estes acessórios ou extensões Makita são recomendados para utilização com a sua ferramenta Makita especificada neste manual. A utilização de quaisquer outros acessórios ou extensões pode resultar em ferimentos pessoais graves.

AVISO: Utilize apenas um acessório ou extensão Makita para o fim a que se destina. A utilização inadequada de um acessório ou extensão pode resultar em ferimentos pessoais graves.

Se necessitar de informações adicionais relativas a estes acessórios, solicite-as ao seu centro de assistência Makita.

- Lâminas de serra de aço com pontas carboneto
- Torno vertical
- Torno horizontal
- Conjunto do bloqueio de moldura
- Saco do pó
- Régua triangular
- Chave hexagonal
- Chave hexagonal (para LS1019L)

NOTA: Alguns itens da lista podem estar incluídos na embalagem da ferramenta como acessórios padrão. Eles podem variar de país para país.

SPECIFIKATIONER

| Model: | | LS1019 | LS1019L |
|--|-----------------------|--------------------------|--|
| Klangediameter | Lande i Europa | 260 mm | |
| | Lande uden for Europa | 255 mm - 260 mm | |
| Diameter af hul | Lande i Europa | 30 mm | |
| | Lande uden for Europa | 25,4 mm | |
| Maks. tykkelse af savsnit for savklinge | | 3,2 mm | |
| Maks. geringsvinkel | | Højre 60°, Venstre 60° | |
| Maks. skråvinkel | | Højre 48°, Venstre 48° | |
| Hastighed uden belastning (omdrejninger pr. minut) | | 3.200 min ⁻¹ | |
| Lasertype | | - | Rød laser 650 nm, maksimalt output < 1,6 mW (Laserklasse 2M) |
| Dimensioner (L x B x H) | | 805 mm x 644 mm x 660 mm | |
| Nettovægt | | 26,1 kg | 26,3 kg |

Skæredybde (H x B)

| Geringsvinkel | Skråvinkel | | |
|------------------------|----------------------------------|----------------------------------|----------------------------------|
| | 45° (venstre) | 0° | 45° (højre) |
| 0° | 42 mm x 310 mm 58 mm x 279mm | 68 mm x 310 mm 91 mm x 279 mm | 29 mm x 310 mm 43 mm x 279 mm |
| 45° (højre og venstre) | 42 mm x 218 mm 58 mm x 197 mm | 68 mm x 218 mm 91 mm x 197 mm | 29 mm x 218 mm 43 mm x 197 mm |
| 60° (højre og venstre) | - | 68 mm x 155 mm 91 mm x 139 mm | - |




Skæredybde for specialsnit





| Type af snit | Skæredybde |
|---|------------|
| Kronefremspring 45° type (ved brug af stopper til kronefremspring) | 168 mm |
| Fodliste (ved brug af vandret skruestik) | 133 mm |

- På grund af vores kontinuerlige forsknings- og udviklingsprogrammer kan hosstående specifikationer blive ændret uden varsel.
- Specifikationer kan variere fra land til land.
- Vægt i henhold til EPTA-procedure 01/2014

Symboler

Følgende viser de symboler, der anvendes til udstyret. Vær sikker på, at De forstår betydningen af symbolerne før brugen.

| | |
|--|---|
|  | Læs brugsanvisningen. |
|  | DOBBELT ISOLERING |
|  | For at undgå personskade fra flyvende rester skal De holde savhovedet nede, når De har foretaget snit, indtil klingene er stoppet helt. |

| | |
|---|---|
|  | Ved glidende snit skal De først trække slæden helt imod Dem selv og trykke håndtaget ned og derefter skubbe slæden mod anslaget. |
|  | Placer ikke hånden eller fingrene i nærheden af klingene. |
|  | Se aldrig ind i laserstrålen. En direkte laserstråle kan skade dine øjne. |
|  | Kun for lande inden for EU Elektrisk udstyr må ikke bortskaffes sammen med almindelig husholdningsaffald! I henhold til det europæiske direktiv vedrørende håndtering af elektrisk og elektronisk affald og dets implementering i henhold til national lovgivning skal elektrisk udstyr, der har nået slutningen af dets levetid, indsamles separat og returneres til et genindvindingsanlæg, der overholder miljøkravene. |

Tilsigtet anvendelse

Denne maskine er beregnet til udførelse af præcis lige afkortning og geringsssnit i træ. Der kan også saves i aluminium med passende savklinger.

Strømforsyning

Maskinen må kun tilsluttes en strømforsyning med samme spænding som angivet på typeskiltet og kan kun anvendes på enfaset vekselstrømforsyning. Den er dobbeltisoleret og kan derfor også tilsluttes netstik uden jordforbindelse.

Lyd

Det typiske A-vægtede støjniveau bestem i overensstemmelse med EN62841:

Model LS1019

Lydtryksniveau (L_{pA}): 91 dB (A)
Lydeffektniveau (L_{WA}): 101 dB (A)
Usikkerhed (K): 3 dB (A)

Model LS1019L

Lydtryksniveau (L_{pA}): 91 dB (A)
Lydeffektniveau (L_{WA}): 101 dB (A)
Usikkerhed (K): 3 dB (A)

⚠ ADVARSEL: Bær høreværn.

Vibration

Vibrationens totalværdi (tre-aksial vektorsum) bestemt i overensstemmelse med EN62841:

Model LS1019

Vibrationsemission (a_{h1}): 2,5 m/s² eller mindre
Usikkerhed (K): 1,5 m/s²

Model LS1019L

Vibrationsemission (a_{h1}): 2,5 m/s² eller mindre
Usikkerhed (K): 1,5 m/s²

BEMÆRK: Den angivne vibrationsemissionsværdier blevet målt i overensstemmelse med standardtestmetoden og kan anvendes til at sammenligne et værktøj med et andet.

BEMÆRK: Den angivne vibrationsemissionsværdien kan også anvendes i en præliminær eksponeringsvurdering.

⚠ ADVARSEL: Vibrationsemissionen under den faktiske anvendelse af værktøjet kan være forskellig fra den erklærede emissionsværdi, afhængigt af den måde, hvorpå værktøjet anvendes.

⚠ ADVARSEL: Sørg for at identificere de sikkerhedsforskrifter til beskyttelse af operatøren, som er baseret på en vurdering af eksponering under de faktiske brugsforhold (med hensyntagen til alle dele i brugscyklussen, f.eks. de gange, hvor værktøjet er slukket, og når det kører i tomgang i tilgift til afbrydertiden).

EU-overensstemmelseserklæring

Kun for lande i Europa

EU-overensstemmelseserklæringen er inkluderet som Bilag A i denne brugsanvisning.

SIKKERHEDSADVARSLER

Almindelige sikkerhedsregler for el-værktøj

⚠ ADVARSEL: Læs alle de sikkerhedsadvarsler, instruktioner, illustrationer og specifikationer, der følger med denne maskine. Forsømmelse af at overholde alle nedenstående instruktioner kan medføre elektrisk stød, brand og/eller alvorlig personskade.

Gem alle advarsler og instruktioner til fremtidig reference.

Ordet "el-værktøj" i advarselerne henviser til det netforsynede (netledning) el-værktøj eller batteriforsynede (akku) el-værktøj.

Sikkerhedsinstruktioner for geringsssave

- 1. Geringsssave er beregnet til at save i træ eller træliggende produkter. De kan ikke anvendes som slibende afskæringsskiver til at skære i jernholdige metaller som f.eks. bjælker, stænger, stivere osv. Slibestøv får bevægelige dele som f.eks. den nederste beskyttelsesskærm til at sætte sig fast. Gnister fra slibeskæring vil forbrænde den nederste beskyttelsesskærm, savsnitsindlæg og andre plastikdele.**
- 2. Brug skruetvinger til at understøtte arbejdsemnet, når som helst det er muligt. Hvis du understøtter arbejdsemnet i hånden, skal du altid holde hånden mindst 100 mm fra begge sider af savklingen. Anvend ikke denne sav til at skære stykker, der er for små til at kunne fastgøres forsvarligt eller holdes i hånden. Hvis din hånd er placeret for tæt på savklingen, er der større risiko for personskade pga. kontakt med klingens.**
- 3. Arbejdsemnet skal være i ro og fastgjort eller holdt mod både anslaget og bordet. Undlad at indføre arbejdsemnet til klingens eller at skære "på frihånd" på nogen måde. Ikke-fastholdte eller bevægelige arbejdsemner kan blive slynget bort ved høj hastighed og forårsage personskade.**
- 4. Skub saven gennem arbejdsemnet. Undlad at trække saven gennem arbejdsemnet. For at foretage et snit skal du løfte savhovedet og trække det ud over arbejdsemnet uden at skære, starte motoren, trykke savhovedet nedad og skubbe saven gennem arbejdsemnet. Hvis der skæres på tilbagestrøget, vil det sandsynligvis få savklingen til at klatre op oven på arbejdsemnet og kaste klingemonteringen voldsomt mod operatøren.**
- 5. Placer aldrig din hånd over den tilsigtede skærelinje, hverken foran eller bag ved savklingen. Understøttelse af arbejdsemnet med "krydsede hænder", dvs. at holde arbejdsemnet til højre for savklingen med venstre hånd eller omvendt, er meget farligt.**

► Fig.1

6. **Undlad at række bag ved anslaget med nogen af hænderne tættere end 100 mm fra begge sider af savklingen, at fjerne træstykker eller af nogen anden årsag, så længe klingens roterer.** Det er muligvis ikke tydeligt, hvor tæt den roterende savklinge er på din hånd, og du kan komme alvorligt til skade.
 7. **Inspicer arbejdsemnet, før der skæres.** Hvis arbejdsemnet er buet eller skævt, skal du fastgøre det med den udvendige buede side mod anslaget. Sørg altid for, at der ikke er mellemrum mellem arbejdsemnet, anslaget og bordet langs skærelinjen. Buede eller skæve arbejdsemner kan vride sig eller flytte sig og kan medføre binding af den roterende savklinge, mens der skæres. Der må ikke være søm eller fremmedlegemer i arbejdsemnet.
 8. **Undlad at bruge saven, før bordet er ryddet for alle værktøjer, træstykker osv. bortset fra arbejdsemnet.** Små rester eller løse stykker træ eller andre genstande, der kommer i kontakt med den roterende klinge, kan blive slynget bort med høj hastighed.
 9. **Skær kun i ét arbejdsemne ad gangen.** Flere stablede arbejdsemner kan ikke fastgøres eller understøttes tilstrækkeligt og kan binde klingens eller flytte sig under skæringen.
 10. **Sørg for, at geringsraven er monteret eller placeret på en jævn, stabil arbejdsoverflade, før den bruges.** En jævn og stabil arbejdsoverflade mindsker risikoen for, at geringsraven bliver ustabil.
 11. **Planlæg dit arbejde.** Hver gang du ændrer indstillingen for skrå- eller geringsvinkel, skal du sikre dig, at det justerbare anslag er indstillet korrekt til at understøtte arbejdsemnet, og at det ikke kommer i vejen for klingens eller beskyttelsessystemet. Uden at slå maskinen "TIL" og uden arbejdsemne på bordet skal du flytte savklingen gennem et komplet simuleret snit for at sikre dig, at der ikke er noget i vejen eller risiko for at skære i anslaget.
 12. **Sørg for tilstrækkelig understøttelse, for eksempel bordforlængelser, savbukke osv., for et arbejdsemne, der er bredere eller længere end bordpladen.** Arbejdsemner, der er længere eller bredere end geringsravens bord, kan vippe, hvis de ikke er tilstrækkeligt understøttet. Hvis det afskårne stykke eller arbejdsemnet vipper, kan det løfte den nederste beskyttelsesskærm eller blive slynget bort af den roterende klinge.
 13. **Undlad at bruge en anden person som erstatning for en bordforlængelse eller som ekstra støtte.** Ustabil understøttelse af arbejdsemnet kan få klingens til at binde eller arbejdsemnet til at flytte sig under skæringen, så du selv og hjælperen bliver trukket ind i den roterende klinge.
 14. **Det afskårne stykke må ikke på nogen måde sidde fast eller blive trykket imod den roterende savklinge.** Hvis det begrænses, for eksempel med længdestopper, kan det afskårne stykke blive klemt mod klingens og slynget voldsomt bort.
 15. **Brug altid en skruetvinge eller et stykke inventar, der er beregnet til korrekt at støtte runde materialer som f.eks. stænger eller rør.** Stænger har tendens til at rulle, når de skæres, hvilket får klingens til at "bide" og trække emnet med din hånd ind i klingens.
 16. **Lad klingens nå fuld hastighed, før den sættes mod arbejdsemnet.** Dette reducerer risikoen for, at arbejdsemnet slynages bort.
 17. **Sluk for geringsraven, hvis arbejdsemnet eller klingens klemmer sig fast.** Vent, til alle bevægelige dele er stoppet, og tag stikket ud af strømkilden og/eller fjern akkuen. Begynd derefter at frigøre det fastklemede materiale. Fortsæt savning med et fastklemt arbejdsemne kan medføre, at du mister kontrollen, eller beskadigelse af geringsraven.
 18. **Når et snit er færdigt, skal du slippe afbryderen, holde savhovedet nede og vente, til klingens er stoppet, før du fjerner det afskårne stykke.** Det er farligt at stikke hånden hen til klingens, mens den stadig kører.
 19. **Hold godt fast i håndtaget, når der foretages et uafbrudt snit, eller hvis du slipper afbryderen, inden savhovedet er helt nede i den nederste position.** Ravens bremsefunktion kan medføre, at savhovedet pludseligt trækkes nedad, og medføre risiko for personskade.
 20. **Brug kun savklingen med den diameter, som er markeret på maskinen eller angivet i vejledningen.** Brug af en klinge med forkert størrelse kan muligvis påvirke den korrekte afskærmning af klingens eller skærmfunktionen, hvilket muligvis kan resultere i alvorlig personskade.
 21. **Brug kun savklinger, der er mærket med en hastighed svarende til eller større end den hastighed, der er angivet på maskinen.**
 22. **Anvend ikke saven til at skære i andet end træ, aluminium eller lignende materialer.**
 23. **(Kun for lande i Europa)**
Brug altid en klinge, der overholder EN847-1.
- ### Yderligere instruktioner
1. **Gør dit værktøjssted børnesikkert med hængelåse.**
 2. **Stå aldrig på maskinen.** Det kan medføre alvorlig personskade, hvis maskinen vælter, eller ved utilsigtet kontakt med skæremaskinen.
 3. **Lad aldrig maskinen køre uovervåget.** Sluk for strømmen. Gå ikke fra maskinen, før den er stoppet helt.
 4. **Anvend ikke saven, uden at beskyttelsesskærmene er på plads.** Kontrollér beskyttelsesskærmene for korrekt funktion før hver brug. Anvend ikke saven, hvis beskyttelsesskærmen ikke bevæger sig frit og lukker øjeblikkeligt. Beskyttelsesskærmene må aldrig klemmes eller bindes til åben position.
 5. **Hold hænderne væk fra savklingens bane.** Undgå kontakt med klingens, mens denne kører i frihjul. Dette kan stadig medføre alvorlig personskade.
 6. **Beskyttelsesskærmen må aldrig klemmes eller bindes til åben position.**
 7. **For at reducere risikoen for personskade skal du sætte slæden tilbage til den bageste position efter hvert tværsnit.**
 8. **Fastgør altid bevægelige dele, før maskinen transporteres.**
 9. **Stopstiften, som låser skærehovedet nede, er kun beregnet til transport- og opbevaringsformål og ikke til nogen form for skæring.**

10. Efterse omhyggeligt klingen for revner eller beskadigelse før brugen. Udskift øjeblikkeligt en revnet eller beskadiget klinge. Gummi og tjære, der hærdes mod klinger, gør saven langsommere og øger risikoen for tilbageslag. Hold klingen ren ved først at tage den ud af maskinen og derefter rense den med gummi- og tjærefjerner, varmt vand eller petroleum. Benyt aldrig benzin til at rense klingen.
 11. Ved foretagelse af et glidende snit kan der forekomme TILBAGESLAG. TILBAGESLAG sker, når klingen binder i arbejdsemnet under en skæring, og savklingen drives hurtigt mod operatøren. Det kan medføre tab af kontrollen og alvorlig personskade. Hvis klingen begynder at binde under en skæring, må du ikke fortsætte med at skære, men slip med det samme afbryderen.
 12. Anvend kun flanger, der er anbefalet til brug med denne maskine.
 13. Sørg for ikke at beskadige akslen, flangerne (specielt monteringsfladen) eller bolten. Beskadigelse af disse dele kan medføre beskadigelse af klingens.
 14. Sørg for, at drejeskiven er fastlåst og ikke bevæger sig under brug. Brug hullerne i foden til at fastgøre saven til en stabil arbejdsplatform eller bænk. Anvend ALDRIG maskinen, hvis operatørens position kan blive akavet.
 15. Sørg for, at spindellåsen er løsnet, før der tændes på afbryderen.
 16. Sørg for, at klingens ikke rører drejeskiven i nederste position.
 17. Hold godt fast i håndtaget. Vær opmærksom på, at saven ved start og stop bevæger sig let op og ned.
 18. Sørg for, at klingens ikke er i berøring med arbejdsemnet, før der tændes på afbryderen.
 19. Før maskinen anvendes på arbejdsemnet, skal den køre i tomgang et stykke tid. Vær opmærksom på vibrationer eller rystelser, der kan være forårsaget af forkert montage eller manglende afbalancering af klingens.
 20. Afbryd straks anvendelsen, hvis du bemærker noget unormalt under brugen.
 21. Forsøg aldrig at fastlåse afbryderen i "TIL"-stillingen.
 22. Anvend altid kun det tilbehør, der er anbefalet i denne brugsanvisning. Anvendelse af forkert tilbehør, eksempelvis slibeskiver, kan medføre personskade.
 23. Nogle materialer indeholder kemikalier, der kan være giftige. Sørg omhyggeligt for at undgå at indånde støv samt kontakt med huden. Følg materialeleverandørens sikkerhedsdata.
- Yderligere sikkerhedsregler for laseren
1. LASERSTRÅLING, UNDLAD AT SE IND I STRÅLEN ELLER AT BETRAGTE DEN DIREKTE MED OPTISKE INSTRUMENTER, KLASSE 2M LASERPRODUKT.

GEM DISSE FORSKRIFTER.

⚠ ADVARSEL: LAD IKKE bekvemmelighed eller kendskab til produktet (opnået gennem gentagen brug) forhindre, at sikkerhedsforskrifterne for produktet nøje overholdes. MISBRUG eller forsømmelse af at følge de i denne brugsvejledning givne sikkerhedsforskrifter kan medføre alvorlig personskade.

BESKRIVELSE AF DELENE

► Fig.2

| | | | | | | | |
|----|--|----|------------------------------------|----|-----------------------------------|----|---|
| 1 | Skydestang | 2 | Stopstift (til skubning af slæden) | 3 | Lodret skruestik | 4 | Udløserknap (til skråvinkel i højre side) |
| 5 | Holder | 6 | Drejeskive | 7 | Viser (til geringsvinkel) | 8 | Geringsvinkelskala |
| 9 | Indlægsplade | 10 | Klingehus | 11 | Justeringssskrue (til laserlinje) | 12 | Områdejusteringssskrue (til laserlinje) |
| 13 | Beskyttelsesskærm | 14 | Knap (til skråvinkel) | 15 | Sekskantnøgle | 16 | Justeringssskrue (til nedre grænseposition) |
| 17 | Justeringsbolt (til maksimal skæredybde) | 18 | Stoparm | 19 | Låsearm (til drejeskive) | 20 | Udløserarm (til drejeskive) |
| 21 | Indstillingsgreb (til drejeskive) | - | - | - | - | - | - |

► Fig.3

| | | | | | | | |
|----|-----------------------------|----|--|----|---|----|---------------------------------|
| 1 | Afbryderknap | 2 | Aflåseknap | 3 | Hul til hængelås | 4 | Kontakt (til laserlinje) |
| 5 | Slange (til støvudtrækning) | 6 | Stopstift (til hævnning af slæden) | 7 | Anslag (nederste anslag) | 8 | Anslag (øverste anslag) |
| 9 | Støvpøse | 10 | Justeringsbolt til 0° (til skråvinkel) | 11 | Skråvinkelskala | 12 | Udløserarm (til 48° skråvinkel) |
| 13 | Låsearm (til skråvinkel) | 14 | Viser (til skråvinkel) | 15 | Justeringsbolt til 45° (til skråvinkel) | - | - |

MONTERING

Montering af indstillingsgrebet

Skrue det gevindskårne skaft på indstillingsgrebet ind i drejeskiven.

► **Fig.4:** 1. Indstillingsgreb 2. Drejeskive

Montering af støvudtrækningsslangen

Tilslut støvudtrækningsslangen til maskinen som vist i illustrationen.

Sørg for, at albuen og muffen passer korrekt til portene på maskinen.

► **Fig.5:** 1. Støvudtrækningsslange 2. Albue 3. Muffe 4. Port

Montering på bænk

Ved leveringen af maskinen er håndtaget låst i den sænkede position ved hjælp af stopstiften. Mens du sænker håndtaget en smule, skal du trække i stopstiften og dreje den 90°.

► **Fig.6:** 1. Låst position 2. Ulåst position 3. Stopstift

Denne maskine skal fastgøres med fire bolte til en plan og stabil overflade ved hjælp af bolthullerne i maskinens bund. Dette hjælper med til at forhindre, at den vipper med personskaade til følge.

► **Fig.7:** 1. Bolt

⚠ ADVARSEL: Sørg for, at maskinen ikke vil bevæge sig på den understøttende flade. Hvis geringsssaven bevæger sig på den understøttede flade under skæringen, risikerer du at miste herredømmet over saven og alvorlig personskaade.

FUNKTIONSBESKRIVELSE

⚠ ADVARSEL: Sørg altid for, at der er slukket for maskinen, og at stikket er taget ud af stikkontakten, før du justerer maskinen eller kontrollerer dens funktion. Hvis du ikke slukker for maskinen og tager den ud af forbindelse, kan det medføre alvorlig personskaade forårsaget af utilsigtet start.

Beskyttelsesskærm

► **Fig.8:** 1. Beskyttelsesskærm

Når håndtaget sænkes, hæves beskyttelsesskærmen automatisk. Beskyttelsesskærmen er fjederbelastet og vender tilbage til den oprindelige position, når arbejdet er afsluttet, og håndtaget hæves.

⚠ ADVARSEL: Beskyttelsesskærmen må aldrig sættes ud af funktion, og fjederen på skærmen må aldrig fjernes. En synlig klinge på grund af en manglende beskyttelsesskærm kan medføre alvorlig personskaade under anvendelsen.

Af hensyn til din personlige sikkerhed skal du altid holde beskyttelsesskærmen i god stand. Enhver uregelmæssig funktion i beskyttelsesskærmen skal repareres med det samme. Bekræft, at de fjederbelastede beskyttelsesskærme returnerer.

⚠ ADVARSEL: Brug aldrig maskinen, hvis beskyttelsesskærmen eller fjederen er beskadiget, defekt eller mangler. Anvendelse af maskinen med en beskadiget, fejlbehæftet eller afmonteret beskyttelsesskærm kan medføre alvorlig personskaade.

Hvis den gennemsigtige beskyttelsesskærm bliver snavset, eller savsmuld klæber til den på en sådan måde, at klingens og/eller arbejdsemnet ikke længere er let synlige, skal saven tages ud af stikkontakten, og beskyttelsesskærmen skal rengøres forsigtigt med en fugtig klud. Anvend ikke opløsningsmidler eller petroleumbaserede rengøringsmidler på plastikbeskyttelsesskærmen, da dette kan beskadige skærmen.

Hvis beskyttelsesskærmen er meget snavset, og det er vanskeligt at se gennem skærmen, skal du tage maskinen ud af forbindelse og bruge den medfølgende skrueøgler til at løsne boltens indvendige sekskant, der holder midterafdækningen. Løsn boltens indvendige sekskant ved at dreje den i retningen mod uret, og løft beskyttelsesskærmen og midterafdækningen. Når beskyttelsesskærmen er placeret på denne måde, kan rengøring udføres mere komplet og effektivt. Udfør ovenstående procedure i omvendt rækkefølge, og fastgør boltens indvendige sekskant fuldført. Fjern ikke fjederen, der holder beskyttelsesskærmen. Hvis beskyttelsesskærmen bliver misfarvet med tiden eller på grund af udsættelse for ultraviolet lys, skal du kontakte et Makita servicecenter for at få en ny skærm. **OMGÅ ELLER AFMONTER IKKE BESKYTTELSESSKÆRMEN.**

► **Fig.9:** 1. Midterafdækning 2. Sekskantnøgle 3. Beskyttelsesskærm

Indlægsplader

Denne maskine er udstyret med indlægsplader i drejeskiven med det formål at minimere slitage på udgangssiden for et snit. Indlægspladerne er fra fabrikken indstillet således, at savklingen ikke kommer i berøring med indlægspladerne. Indstil indlægspladerne inden brugen på følgende måde:

► **Fig.10:** 1. Indlægsplade

► **Fig.11:** 1. Venstre skråsnit 2. Lige snit 3. Højre skråsnit 4. Savklinge 5. Klingetænder 6. Indlægsplade

Tag først maskinen ud af stikkontakten. Løsn alle skrueene (2 hver i venstre og højre side), der fastholder indlægspladerne, indtil indlægspladerne stadig nemt kan flyttes i hånden. Sænk håndtaget helt, og træk og drej derefter stopstiften for at låse håndtaget i den sænkede position. Frigør stopstiften på glidestangen, og træk slæden helt imod dig selv. Indstil indlægspladerne således, at de lige netop berører siderne af klingetænderne. Stram de forreste skrueer (stram ikke for meget). Skub slæden helt mod anslaget, og indstil indlægspladerne således, at de lige netop berører siderne af klingetænderne. Stram de bageste skrueer (stram ikke for meget).

Frigør stopstiften, når indlægspladerne er justeret, og hæv håndtaget. Stram derefter alle skrueene godt til.

BEMÆRKNING: Sørg for, når skråvinklen er indstillet, at indlægspladerne er korrekt justeret.

Korrekt justering af indlægspladerne bidrager til at yde den rigtige støtte til arbejdsområdet og dermed minimere risikoen for udvinding.

Vedligeholdelse af maksimal skærekapacitet

Denne maskine er fra fabrikken indstillet til at give den maksimale skæredybde med en 255 mm eller 260 mm savklinge.

Når der monteres en ny klinge, skal den nedre grænseposition på klingen altid kontrolleres og, såfremt det er påkrævet, justeres som beskrevet herunder:

Tag først maskinen ud af stikkontakten. Drej stoparmen til den aktiverede position.

► **Fig.12:** 1. Stoparm

Skub slæden helt mod anslaget, og sænk håndtaget helt.

Juster klingens position ved at dreje justeringsboltten ved hjælp af sekskantnøglen. Klingens kant skal gå et lille stykke under den øverste flade af drejeskiven og når også til det punkt, hvor den forreste ende af anslaget og den øverste flade af drejeskiven mødes.

► **Fig.13:** 1. Justeringsbolt

► **Fig.14:** 1. Overflade af drejeskiven 2. Kanten af klingen 3. Anslag

Tag maskinen ud af stikkontakten, og drej klingen med hånden, idet du holder håndtaget helt nede, for at sikre dig, at klingen ikke kommer i berøring med nogen del af den nederste bund. Juster om nødvendigt en smule. Returner altid stoparmen til den oprindelige position efter justering.

ADVARSEL: Sørg altid for, når en ny klinge er monteret, og med maskinen taget ud af forbindelse, at klingen ikke kommer i berøring med nogen dele på den nederste bund, når håndtaget sænkes helt. Hvis klingen kommer i berøring med bunden, kan det medføre tilbageslag med alvorlig personskade til følge.

Stoparm

Klingens nedre grænseposition kan nemt indstilles med stoparmen. For at indstille den drejes stoparmen i pilens retning som vist på illustrationen. Drej justeringskruen, så klingen stopper i den ønskede position, når håndtaget sænkes helt.

► **Fig.15:** 1. Stoparm 2. Justeringskruer

Justering af geringsvinklen

FORSIGTIG: Efter ændring af geringsvinklen skal drejeskiven altid sikres ved, at indstillingsgrebet spændes stramt til.

BEMÆRKNING: Når drejeskiven drejes, skal håndtaget være helt hævet.

► **Fig.16:** 1. Låsearm 2. Indstillingsgreb 3. Udløserarm 4. Viser

Drej indstillingsgrebet i retningen mod uret for at låse drejeskiven op. Drej indstillingsgrebet, idet låsearmen holdes nede, for at flytte drejeskiven. Juster viseren til den ønskede vinkel på skalaen, og stram derefter indstillingsgrebet.

BEMÆRK: Hvis du trykker ned på udløserarmen, kan du flytte drejeskiven uden at holde låsearmen nede. Stram indstillingsgrebet i den ønskede position.

Denne geringsssav har en funktion til fast stop. Du kan hurtigt indstille en geringsvinkel på 0°, 15°, 22,5°, 31,6°, 45° og 60° mod højre eller venstre. Hvis du vil bruge denne funktion, skal du flytte drejeskiven tæt på den ønskede faste stopvinkel, idet du holder låsearmen nede. Slip derefter låsearmen, og flyt drejeskiven fremad, indtil drejeskiven låses fast.

Justering af skråvinklen

BEMÆRKNING: Fjern altid de øverste anslag og den lodrette skruestik, før skråvinklen justeres.

BEMÆRKNING: Når skråvinklerne ændres, skal du sørge for at placere indlægspladerne korrekt som forklaret i afsnittet "Indlægsplader".

BEMÆRKNING: Sørg for at hæve håndtaget helt, når savklingen vippes.

1. Drej knappen på skydestangen i retningen mod uret.

► **Fig.17:** 1. Knap

2. Træk i og drej låsearmen til positionen som vist.

► **Fig.18:** 1. Låsearm

3. Tilpas viseren til den ønskede vinkel på skalaen ved at flytte slæden, og stram derefter knappen.

► **Fig.19:** 1. Skråvinkelskala 2. Viser

For at vippe slæden mod højre skal du vippe slæden let mod venstre og derefter vippe den mod højre, idet der trykkes ned på udløserknappen.

► **Fig.20:** 1. Udløserknap

Hvis du foretager et skråsnit på mere end 45°, skal du flytte slæden, idet du skubber udløserarmen mod forenden af maskinen. Du kan foretage skråsnit på op til 48°.

► **Fig.21:** 1. Udløserarm

Denne geringsstav har en funktion til fast stop. Du kan hurtigt indstille en vinkel på 22,5° og 33,9° mod både venstre og højre. Indstil låsearmen i positionen som vist, og vip slæden. Hvis du vil ændre vinklen, skal du trække i låsearmen og vippe slæden.

► **Fig.22:** 1. Låsearm

⚠FORSIGTIG: Stram altid knappen, når du har ændret skråvinklen.

Skydelås

Hvis du vil låse slædens glidebevægelse, skal du skubbe slæden mod anslaget, indtil den stopper. Træk i stopstiften, og drej den 90°.

► **Fig.23:** 1. Ulåst position 2. Låst position 3. Stopstift

Afbryderfunktion

⚠ADVARSEL: Før maskinen tilkobles, skal du altid kontrollere, at afbryderknappen aktiveres korrekt og går tilbage i "FRA"-stillingen, når den slippes. Tryk ikke hårdt på afbryderknappen uden først at trykke aflåseknappen ind. Dette kan ødelægge afbryderen. Anvendelse af maskinen med en afbryder, som ikke fungerer korrekt, kan medføre tab af kontrollen over maskinen og alvorlig personskade.

⚠ADVARSEL: Anvend ALDRIG maskinen, hvis afbryderknappen ikke fungerer, som den skal. Enhver maskine med en ikke-fungerende afbryderknap er YDERST FARLIG og skal repareres før yderligere anvendelse, da det ellers kan medføre alvorlig personskade.

⚠ADVARSEL: Omgå ALDRIG lås fra-knappens funktion ved at tape den fast eller på andre måder. En afbryder med en blokeret lås fra-knap kan medføre utilsigtet funktion og alvorlig personskade.

⚠ADVARSEL: Brug ALDRIG maskinen, hvis den kører, når du blot trykker på afbryderknappen uden at trykke på lås fra-knappen. En afbryder, der skal repareres, kan medføre utilsigtet funktion og alvorlig personskade. Returner maskinen til et Makita-servicecenter for nødvendige reparationer INDEN yderligere brug.

► **Fig.24:** 1. Afbryderknap 2. Aflåseknep 3. Hul til hængelås

For at forhindre, at afbryderknappen trykkes ind ved et uheld, er maskinen udstyret med en aflåseknep. Maskinen startes ved at trykke aflåseknappen ind og derefter trykke på afbryderknappen. Slip afbryderknappen for at stoppe.

Afbryderknappen er forsynet med et hul til indsættelse af en hængelås, så maskinen kan aflåses.

⚠ADVARSEL: Anvend ikke en lås med et skaft eller et kabel, som er mindre end 6,35 mm (1/4") i diameter. Et mindre skaft eller kabel vil muligvis ikke låse maskinen i fra-stilling, og utilsigtet brug kan ske med alvorlig personskade som følge.

Elektronisk funktion

Konstant hastighedskontrol

Maskinen er udstyret med en elektronisk hastighedskontrol, der hjælper med at opretholde en konstant klingerotationshastighed også under belastning. En konstant klingerotationshastighed giver et meget jævnt snit.

Funktion til blød start

Denne funktion muliggør blød start af maskinen ved at begrænse drejningsmomentet ved start.

Brug af laserstråle

Kun for model LS1019L

⚠FORSIGTIG: Se aldrig ind i laserstrålen. En direkte laserstråle kan skade dine øjne.

Tryk på den øverste position (I) på kontakten for at tænde for laserstrålen. Tryk på den nederste position (0) på kontakten for at slukke for laserstrålen.

► **Fig.25:** 1. Kontakt til laser

Laserlinjen kan flyttes til venstre eller højre side af savklingen ved at dreje justeringsskruen på følgende måde.

► **Fig.26:** 1. Justeringsskrue

1. Løsn justeringsskruen ved at dreje den i retningen mod uret.
2. Når justeringsskruen er løsnet, skal du skubbe justeringsskruen mod højre eller venstre, så langt som den kan komme.
3. Spænd justeringsskruen stramt i den position, hvor den holder op med at glide.

BEMÆRK: Laserlinjen er justeret fra fabrikken, så den er placeret inden for 1 mm fra klingens sideflade (skærepositionen).

BEMÆRK: Hvis laserlinjen er svag og vanskelig at se på grund af direkte sollys, skal du flytte arbejdsområdet til et sted med mindre direkte sollys.

Justering af laserlinjen

Juster skærelinjen på arbejdsemnet i forhold til laserlinjen.

► **Fig.27**

- A) Når du ønsker at opnå den korrekte størrelse i venstre side af arbejdsemnet, skal du flytte laserlinjen til venstre for klingen.
- B) Når du ønsker at opnå den korrekte størrelse i højre side af arbejdsemnet, skal du flytte laserlinjen til højre for klingen.

BEMÆRK: Brug træanlæg mod anslaget, når du justerer skærelinjen med laserlinjen ved siden af anslaget i kombinerede snit (skråvinkel 45° og geringsvinkel til højre 45°).

SAMLING

⚠ ADVARSEL: Sørg altid for, at der er slukket for maskinen, og at stikket er taget ud af stikkontakten, før du arbejder på maskinen. Hvis maskinen ikke slukkes og tages ud af stikkontakten, kan det medføre alvorlig personskade.

Opbevaring af unbrakonøgle

Når unbrakonøglen ikke anvendes, skal den opbevares som vist på illustrationen, så den ikke bortkommer.

► **Fig.28:** 1. Unbrakonøgle

Afmontering eller montering af savklinge

⚠ ADVARSEL: Sørg altid for, at maskinen er slukket og taget ud af stikkontakten, før klingens monteres eller afmonteres. Utilsiget start af maskinen kan medføre alvorlig personskade.

⚠ ADVARSEL: Anvend kun den skruenøgle, som er leveret af Makita, til at montere eller afmontere klingens. Hvis du ikke bruger skruenøglen, kan det medføre en for hård eller for let tilspænding af boltene med indvendig sekskant og alvorlig personskade.

Lås altid slæden i den hævede position, når klingens afmonteres og monteres. Træk i stopstiften, og drej den 90° med slæden hævet.

► **Fig.29:** 1. Ulåst position 2. Låst position 3. Stopstift

Afmontering af klingens

Løsn boltene med indvendig sekskant, der holder midterafdækningen, ved hjælp af sekskantsnøglen. Løft beskyttelsesskærmen og midterafdækningen.

► **Fig.30:** 1. Midterafdækning 2. Sekskantsnøgle 3. Beskyttelsesskærm

Tryk på spindellåsen, så spindlen låses, og anvend sekskantsnøglen til at løsne boltene med indvendig sekskant. Fjern derefter boltene med indvendig sekskant, den ydre flange og klingens.

► **Fig.31:** 1. Spindellås 2. Sekskantsnøgle 3. Bolt med indvendig sekskant (venstreskåret gevind) 4. Løsning 5. Stram

Montering af klingens

Monter klingens forsigtigt på spindlen, idet det kontrolleres, at retningen af pilen på klingens overflade svarer til retningen af pilen på klingehuset.

► **Fig.32:** 1. Pil på klingehuset 2. Pil på klingens

Monter den ydre flange og boltene med indvendig sekskant. Stram boltene med indvendig sekskant i retningen mod uret vha. en sekskantsnøgle, mens spindellåsen trykkes ned.

► **Fig.33:** 1. Bolt med indvendig sekskant 2. Ydre flange 3. Savklinge 4. Indre flange 5. Spindel 6. Ring

BEMÆRKNING: Hvis den indre flange fjernes, skal du sørge for at montere den på spindlen med dens forspring vendende væk fra klingens. Hvis klingens er monteret forkert, vil flangen gnide mod maskinen.

Sæt beskyttelsesskærmen og midterafdækningen tilbage på plads. Stram dernæst boltene med indvendig sekskant i retningen med uret for at holde midterafdækningen fast. Lås stopstiften op for at frigøre slæden fra den hævede position. Sænk håndtaget for at sikre, at beskyttelsesskærmen bevæger sig på korrekt vis. Sørg for, at spindellåsen har frigivet spindlen, før der skæres.

⚠ ADVARSEL: Før klingens monteres på spindlen, skal det altid kontrolleres, at den rigtige ring til akselhullet på den klinge, du vil bruge, er monteret mellem de indre og ydre flanger. Brug af den forkerte ring til akselhullet kan medføre forkert montering af klingens, hvilket kan forårsage, at klingens bevæger sig, og kraftig rotation, hvilket kan medføre tab af kontrollen under brug og alvorlig personskade.

Tilslutning af en støvsuger

Hvis du ønsker en ren skæreoperation, skal du tilslutte en Makita-støvsuger til støvmundstykket ved hjælp af en forreste manchete 24 (ekstraudstyr).

► **Fig.34:** 1. Forreste manchete 24 2. Slange 3. Støvsuger

Støvsuger

Brug af støvsugen giver rene skæreoperationer og gør det let at opsamle støv. Støvsugen monteres ved at fjerne støvudtrækningslangen på maskinen og tilslutte støvsugen.

► **Fig.35:** 1. Støvudtrækningslange 2. Støvsuger

Når støvsugen er cirka halvt fyldt, tages den af maskinen, og lukkeskinnen trækkes ud. Tøm støvsugen, og bank let på den, så de støvpartikler, der har samlet sig på de indvendige flader, og som kan nedsætte effektiviteten af støvsugsamlingen, fjernes.

► **Fig.36:** 1. Lukkeskinne

Fastspænding af arbejdsemnet

⚠ ADVARSEL: Det er yderst vigtigt altid at sørge for, at arbejdsemnet er ordentligt fastspændt i den rigtige type skruestik eller stopper til kronefremspring. Forsømmelse af at gøre dette kan medføre alvorlig personskade og forvoldte skade på maskinen og/eller arbejdsemnet.

⚠ ADVARSEL: Efter en skæring må klingens ikke hæves, før den er standstødt. Hvis en klinge, der kører i frihjul, hæves, kan det medføre alvorlig personskade og beskadige arbejdsemnet.

⚠ ADVARSEL: Når der skæres i et arbejdsemne, som er længere end savens støtteplade, skal materialet understøttes i hele dets længde ud over støttepladen og i samme højde for at holde materialet plant. En ordentlig understøttelse af arbejdsemnet vil bidrage til at undgå fastklemning af klingens og eventuelt tilbageslag, hvilket kan medføre alvorlig personskade. Forlad dig ikke udelukkende på den lodrette og/eller vandrette skruestik ved fastspænding af emnet. Tynde materialer har en tendens til at bøje. Understøt et emne i hele dets længde, så det undgås, at klingens klemmes fast med risiko for TILBAGESLAG.

► **Fig.37:** 1. Støtte 2. Drejeskive

Anslag

⚠ ADVARSEL: Før du bruger maskinen, skal du sikre dig, at det øverste anslag er fastgjort forsvarligt.

⚠ ADVARSEL: Før skrånit skal du sikre dig, at ingen del af maskinen, især klingens, kommer i kontakt med de øverste og nederste anslag, når håndtaget sænkes og hæves helt i nogen position, og mens slæden flyttes gennem hele sin bevægelsesvej. Hvis maskinen eller klingens kommer i kontakt med anslaget, kan det medføre tilbageslag, eller at materialet bevæger sig uventet, og alvorlig personskade.

Brug de øverste anslag til at støtte materialet højere end de nederste anslag. Sæt det øverste anslag i hullet på det nederste anslag, og tilspænd blokeringskruen.

► **Fig.38:** 1. Øverste anslag 2. Nederste anslag 3. Blokeringskruen 4. Justeringskruen

BEMÆRKNING: De nederste anslag er fastgjort til fodens fra fabrikken. Fjern ikke de nederste anslag.

BEMÆRKNING: Hvis det øverste anslag stadig sidder løst, efter at du har strammet blokeringskruen, skal du dreje justeringskruen for at lukke et mellemrum. Justeringskruen er indstillet fra fabrikken. Du behøver ikke at bruge den, medmindre det er nødvendigt.

Opbevar de øverste anslag på holderen, når de ikke anvendes. Brug klemmen på det øverste anslag til at holde det på holderen.

► **Fig.39:** 1. Holder 2. Øverste anslag 3. Klemme

Lodret skruestik

⚠ ADVARSEL: Emnet bør være helt fastspændt mod drejeskiven og anslaget med skruestikken under alt arbejde. Hvis arbejdsemnet ikke er forsvarligt fastgjort mod anslaget, kan materialet flytte sig under skæringen, muligvis beskadige klingens, få materialet til at blive slynget bort og medføre tab af kontrollen og dermed forårsage alvorlig personskade.

► **Fig.40:** 1. Skruearm 2. Skruestang 3. Blokeringskruen 4. Skruenap

Den lodrette skruestik kan monteres på to positioner, enten i fodens venstre eller højre side. Sæt skruestangen i hullet på fodens.

Indstil skruearmen efter arbejdsemnets tykkelse og form, og fastspænd skruearmen ved at stramme skruen. Hvis blokeringskruen kommer i kontakt med slæden, skal den monteres på den anden side af skruearmen. Sørg for, at ingen del af maskinen kommer i kontakt med skruestikken, når håndtaget sænkes helt. Hvis nogen dele berører skruestikken, bør skruearmen genindstilles.

Tryk arbejdsemnet fladt mod anslaget og drejeskiven. Juster arbejdsemnet til den ønskede skrånitposition, og fastgør det ved at stramme skruenappen.

BEMÆRK: For hurtig indstilling af arbejdsemnet skal du dreje skruenappen til 90° i retningen mod uret for at gøre det muligt at flytte skruenappen op og ned. Drej skruenappen i retningen med uret for at fastgøre arbejdsemnet efter indstillingen.

Vandret skruestik

Ekstraudstyr

⚠ ADVARSEL: Drej altid skruemøtrikken i retningen med uret, indtil arbejdsemnet er forsvarligt fastgjort. Hvis arbejdsemnet ikke er forsvarligt fastgjort, kan materialet flytte sig under skæringen, muligvis beskadige klingens, få materialet til at blive slynget bort og medføre tab af kontrollen og dermed forårsage alvorlig personskade.

⚠ ADVARSEL: Når der skæres i et tyndt arbejdsemne som f.eks. fodlister mod anslaget, skal den vandrette skruestik altid anvendes.

Den vandrette skruestik kan monteres på to positioner, enten i fodens venstre eller højre side. Ved udførelse af geringssnit med 22,5° eller derover skal den vandrette skruestik monteres i den side, der er modsat den retning, som drejeskiven skal drejes i.

► **Fig.41:** 1. Skruaplade 2. Skruemøtrik 3. Skruenap

Ved at vippe skruemøtrikken i retningen mod uret frigøres skruestikken, og den kan bevæges hurtigt ind og ud. Arbejdsemnet fastholdes ved at skubbe skruenappen fremad, indtil skruapladen berører arbejdsemnet, og derefter vipper skruemøtrikken i retningen med uret. Drej derefter skruenappen i retningen med uret for at fastgøre arbejdsemnet.

BEMÆRK: Den maksimale bredde af det arbejdsemne, der kan fastgøres af den vandrette skruestik, er 228 mm.

Holdere

⚠ ADVARSEL: Understøt altid et langt arbejdsemne således, at det flugter med drejeskivens øverste overflade, således at skæringen bliver nøjagtig, og for at undgå farligt tab af kontrollen med maskinen. En ordentlig understøttelse af arbejdsemnet vil bidrage til at undgå fastklemning af klingens og eventuelt tilbageslag, hvilket kan medføre alvorlig personskade.

Der er holdere i begge sider af maskinen til at holde lange arbejdsemner vandret. Løsn skruerne, og træk holderne ud til den længde, der er nødvendig for at holde arbejdsemnet. Tilspænd derefter skruerne.

► **Fig.42:** 1. Holder 2. Skruen

ANVENDELSE

⚠ ADVARSEL: Sørg for, at klingen ikke berører arbejdsemnet, el. lign., før der tændes på afbryderen. Hvis der tændes for maskinen, mens klingen er i berøring med arbejdsemnet, kan det medføre tilbageslag og alvorlig personskade.

⚠ ADVARSEL: Efter en skæring må klingen ikke hæves, før den er standset fuldstændigt. Hvis en klinge, der kører i frihjul, hæves, kan det medføre alvorlig personskade og beskadige arbejdsemnet.

⚠ ADVARSEL: Undlad at udføre nogen form for justering som f.eks. at dreje grebet, knappen og armene på maskinen, mens klingens roterer. Hvis du justerer, mens klingens roterer, kan det medføre alvorlig personskade.

BEMÆRKNING: Før brugen skal du sørge for at låse stopstiften op og frigøre håndtaget fra den nederste stilling.

BEMÆRKNING: Læg ikke for meget tryk på håndtaget, når der savnes. Et for kraftigt tryk kan resultere i overbelastning af motoren og/eller formindret saveeffektivitet. Tryk kun håndtaget ned med så megen kraft, som der kræves for at udføre ubesværet savning, og uden at klingens hastighed reduceres ret meget.

BEMÆRKNING: Tryk forsigtigt håndtaget ned for at udføre savningen. Hvis håndtaget trykkes ned med magt, eller hvis det udsættes for sidelæns tryk, kan savklingen vibrere og efterlade mærker (sømmærker) på arbejdsemnet, og savningen vil muligvis ikke være nøjagtig.

BEMÆRKNING: Ved glidende snit skal slæden forsigtigt skubbes mod anslaget uden at stoppe. Hvis slædens bevægelse stoppes under en skæring, vil der komme et mærke på arbejdsemnet, og snittet vil muligvis ikke være nøjagtigt.

Savning ved tryk

⚠ ADVARSEL: Lås altid slædens glidebevægelse, når der udføres en savning ved tryk. Savning uden lås kan medføre risiko for tilbageslag, hvilket kan føre til alvorlig personskade.

Arbejdsemner op til 68 mm i højden og 160 mm i bredden kan savnes på følgende måde.

► Fig.43: 1. Stopstift

1. Skub slæden mod anslaget, indtil den stopper, og lås den fast med stopstiften.
2. Fastspænd arbejdsemnet med den rigtige type skruestik.
3. Tænd for værktøjet, uden at klingens kommer i kontakt, og vent, til klingens er kommet op på fulde omdrejninger, inden sænkning.
4. Sænk derefter grebet forsigtigt til den helt sænkede position for at skære arbejdsemnet.
5. Når savningen er færdig, skal De slukke for værktøjet og vente, til klingens er stoppet helt, før klingens returneres til dens øverste position.

Glidende (tryk) snit (skæring af brede arbejdsemner)

⚠ ADVARSEL: Når De udfører et glidende snit, skal slæden først trækkes hele vejen mod Dem, mens grebet trykkes helt ned, og derefter skubbes slæden fremad mod anslaget. Start aldrig skæringen, hvis slæden ikke er trukket hele vejen mod Dem. Hvis De foretager det glidende snit, uden at slæden er trukket hele vejen mod Dem, kan der opstå uventede tilbageslag med alvorlig personskade til følge.

⚠ ADVARSEL: Forsøg aldrig at udføre et glidende snit ved at trække slæden mod Dem. Hvis De trækker slæden mod Dem under skæring, kan der opstå uventede tilbageslag, hvilket kan medføre alvorlig personskade.

⚠ ADVARSEL: Udfør aldrig savning ved gliden med håndtaget låst i den nederste position.

► Fig.44: 1. Stopstift

1. Lås stopstiften op, så slæden kan glide frit.
2. Fastspænd arbejdsemnet med den rigtige type skruestik.
3. Træk slæden helt imod dem.
4. Tænd for værktøjet, uden at savklingen berører arbejdsemnet, og vent, til klingens er kommet op på fulde omdrejninger.
5. Tryk håndtaget ned, og skub slæden frem mod anslaget og gennem arbejdsemnet.
6. Når savningen er færdig, skal De slukke for værktøjet og vente, til klingens er stoppet helt, før klingens returneres til dens øverste position.

Geringssnit

Vi henviser til det tidligere afsnit "Justering af geringsvinklen".

Skråsnit

⚠ ADVARSEL: Når du har indstillet klingens til skråsnit, skal du sikre dig, at slæden og klingens kan bevæge sig uhindret gennem hele området for det planlagte snit, inden du betjener maskinen. Afbrydelse af slædens eller klingens bevægelse under skæringen kan medføre tilbageslag og alvorlig personskade.

⚠ ADVARSEL: Hold hænderne uden for klingens bane, når et skråsnit udføres. Klingens vinkel kan forvirre operatøren med hensyn til klingens faktiske bane under skæringen, og kontakt med klingens vil medføre alvorlig personskade.

⚠ ADVARSEL: Klingens bør ikke hæves, før den er stoppet helt. Under et skråsnit kan det afskårne stykke komme til at hvile mod klingens. Hvis klingens hæves, mens den roterer, kan det afskårne stykke blive slynget bort fra klingens, hvilket kan betyde, at materialet fragmenteres, og medføre alvorlig personskade.

BEMÆRKNING: Når håndtaget trykkes ned, skal trykket lægges parallelt med klingens retning. Hvis der bruges magt vinkelret på drejeskiven, eller hvis trykkets retning ændres under skæringen, bliver det udførte snit ikke nøjagtigt.

► **Fig.45**

1. Fjern det øverste anslag på den side, hvor du vil vippe slæden.
2. Lås stopstiften op.
3. Juster skråvinklen i henhold til den procedure, der er beskrevet i afsnittet "Justering af skråvinklen". Stram derefter knappen.
4. Fastspænd arbejdsemnet i skruestikken.
5. Træk slæden helt imod dig.
6. Tænd for værktøjet, uden at savklingen berører arbejdsemnet, og vent, til klingens retning er kommet op på fulde omdrejninger.
7. Sænk forsigtigt håndtaget til den laveste position, mens der lægges tryk parallelt med savklingen, og **skyd slæden mod anslaget for at skære arbejdsemnet.**
8. Når savningen er færdig, skal De slukke for værktøjet og **vente, til klingens retning er stoppet helt**, før klingens retning returneres til dens øverste position.

Kombineret snit

Kombineret snit er betegnelsen for den proces, hvor der frembringes en skråvinkel, samtidig med at der laves en geringsvinkel i arbejdsemnet. Kombineret snit kan udføres i en vinkel som vist i nedenstående tabel.

| Geringsvinkel | Skråvinkel |
|---------------------------|---------------------------|
| Venstre og højre 0° - 45° | Venstre og højre 0° - 45° |

Se under "Savning ved tryk", "Glidende (tryk) snit", "Geringssnit" og "Skråsnit", når der skal udføres kombineret savning.

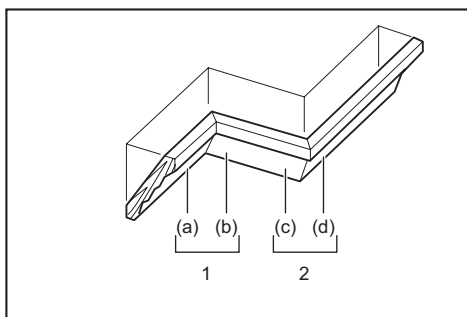
Skærekroner og indskæringsdele

Krone- og indskæringsdele kan skæres med en afkorter-geringsssav med delene placeret fladt på drejeskiven.

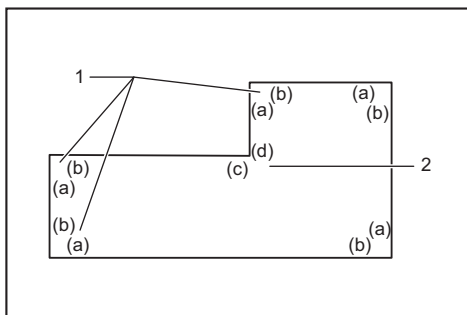
Der er to almindelige typer kronerefspring og en type indskæringsdel, 52/38° vægvinkelkrone-refspring, 45° vægvinkelkrone-refspring og 45° vægvinkelindskæringsdele.

► **Fig.46:** 1. 52/38° type kronerefspring 2. 45° type kronerefspring 3. 45° type indskæringsdel

Der er krone- og indskæringsdel, som er lavet til at passe "indvendige" 90° hjørner ((a) og (b) i figuren) og "udvendige" 90° hjørner ((c) og (d) i figuren).



1. Indvendigt hjørne 2. Udvendigt hjørne



1. Indvendigt hjørne 2. Udvendigt hjørne

Måling

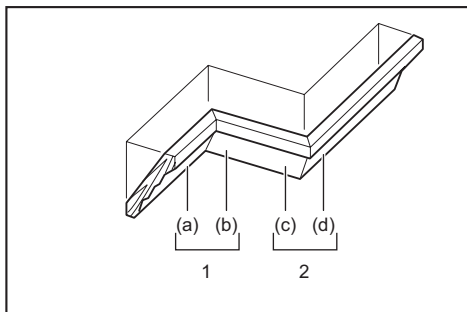
Mål vægbredden, og juster bredden af arbejdsemnet i forhold til denne. Sørg altid for, at bredden af arbejdsemnets vægkontaktkant er den samme som væglængden.

► **Fig.47:** 1. Arbejdsemne 2. Vægbræde 3. Bredde af arbejdsemnet 4. Vægkontaktkant

Anvend altid flere stykker til prøveskæringer for at kontrollere savvinklerne.

Når De skærer kronerefspring og indskæringsdele, skal skråvinklen og geringsvinklen indstilles som indikeret i tabellen (A) og delene på topfladen af savpladen placeres som indikeret i tabellen (B).

Ved venstre skråsnit



1. Indvendigt hjørne 2. Udvendigt hjørne

Tabel (A)

| – | Fremspringsposition i figuren | Skråvinkel | | Geringsvinkel | |
|-----------------------|-------------------------------|---------------|-------------|---------------|---------------|
| | | 52/38° type | 45° type | 52/38° type | 45° type |
| Til indvendigt hjørne | (a) | Venstre 33,9° | Venstre 30° | Højre 31,6° | Højre 35,3° |
| | (b) | | | Venstre 31,6° | Venstre 35,3° |
| Til udvendigt hjørne | (c) | | | Højre 31,6° | Højre 35,3° |
| | (d) | | | | |

Tabel (B)

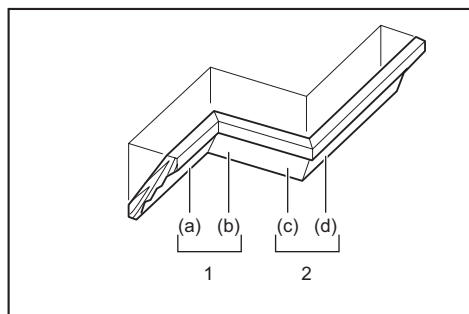
| – | Fremspringsposition i figuren | Fremspringskant mod anslag | Færdiggjort stykke |
|-----------------------|-------------------------------|---|--|
| Til indvendigt hjørne | (a) | Loftskontakt-kanten bør hvile mod anslaget. | Afsluttet stykke vil være på venstre side af klingens. |
| | (b) | Vægkontakt-kanten bør hvile mod anslaget. | |
| Til udvendigt hjørne | (c) | Loftskontakt-kanten bør hvile mod anslaget. | Afsluttet stykke vil være på højre side af klingens. |
| | (d) | Vægkontakt-kanten bør hvile mod anslaget. | |

Eksempel:

I tilfælde af skæring af 52/38° type kronefrem-spring til stilling (a) i figuren ovenfor:

- Vip og fastgør skråvinkelindstillingen til 33,9° VENSTRE.
- Juster og fastgør geringsvinkelindstillingen til 31,6° HØJRE.
- Læg kronefrem-springet med den brede bagside (skjult) nedad på drejeskiven med dens LOFTSKONTAKTKANT mod anslaget på saven.
- Det færdige stykke, som skal anvendes, vil altid være på den VENSTRE side af klingens, efter at skæringen er lavet.

Ved højre skrånsnit



1. Indvendigt hjørne 2. Udvendigt hjørne

Tabel (A)

| – | Fremspringsposition i figuren | Skråvinkel | | Geringsvinkel | |
|-----------------------|-------------------------------|-------------|-----------|---------------|---------------|
| | | 52/38° type | 45° type | 52/38° type | 45° type |
| Til indvendigt hjørne | (a) | Højre 33,9° | Højre 30° | Højre 31,6° | Højre 35,3° |
| | (b) | | | Venstre 31,6° | Venstre 35,3° |
| Til udvendigt hjørne | (c) | | | Højre 31,6° | Højre 35,3° |
| | (d) | | | | |

Tabel (B)

| – | Fremspringsposition i figuren | Fremspringskant mod anslag | Færdiggjort stykke |
|-----------------------|-------------------------------|---|--|
| Til indvendigt hjørne | (a) | Vægkontakt-kanten bør hvile mod anslaget. | Det færdige stykke vil være på højre side af klingens. |
| | (b) | Loftskontakt-kanten bør hvile mod anslaget. | |
| Til udvendigt hjørne | (c) | Vægkontakt-kanten bør hvile mod anslaget. | Det færdige stykke vil være på venstre side af klingens. |
| | (d) | Loftskontakt-kanten bør hvile mod anslaget. | |

Eksempel:

I tilfælde af skæring af 52/38° type kronefrem-spring til stilling (a) i figuren ovenfor:

- Vip og fastgør skråvinkelindstillingen til 33,9° HØJRE.
- Juster og fastgør geringsvinkelindstillingen til 31,6° HØJRE.
- Læg kronefrem-springet med den brede bagside (skjult) flade nedad på drejeskiven med dens VÆGKONTAKTKANT mod anslaget på saven.
- Det færdige stykke, som skal anvendes, vil altid være på den HØJRE side af klingens, efter at skæringen er lavet.

Stopper til kronefrem-spring

Ekstraudstyr

Stopperne til kronefrem-spring gør det lettere at skære kronefrem-spring uden at vippe savklingen. Monter dem på drejeskiven som vist i illustrationerne.

Ved højre 45° geringsvinkel

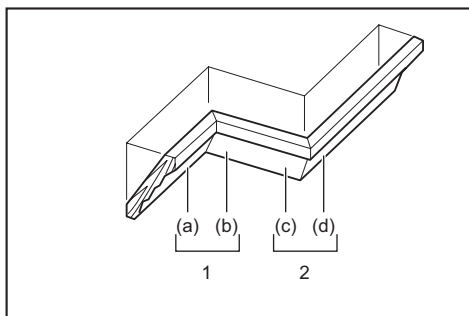
- **Fig.48:** 1. Stopper L til kronefrem-spring 2. Stopper R til kronefrem-spring 3. Drejeskive 4. Anslag

Ved venstre 45° geringsvinkel

- **Fig.49:** 1. Stopper L til kronefrem-spring 2. Stopper R til kronefrem-spring 3. Drejeskive 4. Anslag

Placer kronefrem-springet med dens VÆGKONTAKTKANT mod anslaget og dens LOFTSKONTAKTKANT mod stopperne til kronefrem-spring som vist i illustrationen. Juster stopperne til kronefrem-spring i overensstemmelse med kronefrem-springets størrelse. Tilspænd skruerne for at fastgøre stopperne til kronefrem-spring. Se tabel (C) angående geringsvinklen.

- **Fig.50:** 1. Anslag 2. Stopper til kronefrem-spring



1. Indvendigt hjørne 2. Udvendigt hjørne

Tabel (C)

| – | Fremspringsposition i figuren | Geringsvinkel | Færdiggjort stykke |
|-----------------------|-------------------------------|---------------|----------------------------------|
| Til indvendigt hjørne | (a) | Højre 45° | Gem den højre side af klingens |
| | (b) | Venstre 45° | Gem den venstre side af klingens |
| Til udvendigt hjørne | (c) | Højre 45° | Gem den højre side af klingens |
| | (d) | | Gem den venstre side af klingens |

Skæring af aluminiumekstrudering

- **Fig.51:** 1. Skruestik 2. Mellemblok 3. Anslag 4. Aluminiumekstrudering 5. Mellemblok

Ved fastgøring af aluminiumekstruderinger skal der benyttes mellemblokke eller stykker af affaldstrø som vist i figuren til at forhindre deformation af aluminiummet. Brug et skæresmøremiddel ved skæring af aluminiumekstruderingen for at forhindre, at der opsamles aluminiumsmateriale på klingens.

ADVARSEL: Forsøg aldrig at skære i tykke eller runde aluminiumekstruderinger. Trykke eller runde aluminiumekstruderinger kan være svære at fastgøre, og arbejdsemnet kan løsne sig under skæringen, hvilket kan medføre tab af kontrollen og alvorlig personskaade.

Notskæring

ADVARSEL: Forsøg ikke at udføre denne type skæring ved at anvende en bredere type klinge eller friseskæringsklinge. Forsøg på at udføre en notskæring med en bredere type klinge eller en friseskæringsklinge kan medføre uventede skæringsresultater og tilbageslag, hvilket kan forårsage alvorlig personskaade.

ADVARSEL: Sørg altid for at sætte stoparmen tilbage til udgangsstillingen, når De udfører andet end notskæring. Forsøg på at udføre skæring med stoparmen i en forkert stilling kan medføre uventede skæringsresultater og tilbageslag, hvilket kan forårsage alvorlig personskaade.

Benyt følgende fremgangsmåde for en skæring af frisetypen:

1. Indstil den nedre grænseposition for klingens og hjælp af justeringskruen og stoparmen for at begrænse savklingens skæredybde. Se det tidligere afsnit "Stoparm".
2. Når klingens nedre grænseposition er indstillet, skæres parallelle noter langs arbejdsemnets bredde med anvendelse af savning ved gliden (tryk).
► **Fig.52:** 1. Skær noter med klingens
3. Fjern materialet mellem noterne med en mejsel.

Transport af værktøj

Før du bærer saven, skal du sørge for at tage den ud af forbindelse, og at alle geringssavens bevægelige dele er fastgjort. Kontroller altid følgende:

- Maskinen er taget ud af stikkontakten.
- Slæden er i positionen 0° skråvinkel og fastgjort.
- Slæden er sænket og låst fast.
- Slæden er skubbet helt ind til anslaget og låst fast.
- Drejeskiven er i den helt retvinklede geringsvinkel og fastgjort.
- Holderne er opbevaret og fastgjort.

Bær maskinen ved at holde i begge sider af maskinens bund som vist i figuren.

- **Fig.53**

ADVARSEL: Stopstiften til hævnings af slæden er kun til transport- og opbevaringsformål og ikke til nogen form for skæring. Anvendelse af stopstiften til skærearbejde kan føre til, at savklingen uventet bevæger sig med tilbageslag og alvorlig personskaade til følge.

FORSIGTIG: Fastgør altid bevægelige dele, før maskinen transporteres. Hvis dele af maskinen bevæger sig eller glider, når maskinen bæres, kan du miste herredømmet over maskinen eller miste balancen, hvilket kan medføre personskaade.

VEDLIGEHOJDELSE

⚠ ADVARSEL: Sørg altid for, at maskinen er slukket og taget ud af stikkontakten, før du forsøger at udføre inspektion eller vedligeholdelse.

Hvis maskinen ikke er taget ud af stikkontakten og slukket, kan det medføre utilsigtet start af maskinen, hvilket kan medføre alvorlig personskaade.

⚠ ADVARSEL: Sørg altid for, at klingens skarp og ren, for at opnå det bedste resultat. Forsøg på at skære med en sløv og/eller snavset klinge kan medføre tilbageslag og resultere i alvorlig personskaade.

BEMÆRKNING: Anvend aldrig benzin, rensebenzin, fortynder, alkohol og lignende. Det kan medføre misfarvning, deformation eller revner.

Justering af skærevinklen

Dette værktøj er omhyggeligt indstillet og justeret på fabrikken, men indstillingerne kan ændre sig under transport og brug. De kan selv foretage indstillinger som beskrevet herunder, hvis værktøjet ikke er indstillet korrekt:

Geringsvinkel

Sænk håndtaget helt, og lås det i den laveste position ved hjælp af stopstiften. Skub slæden mod anslaget. Løsn indstillingsgrebet og skrueerne, der fastgør viseren og geringsvinkelskalaen.

► **Fig.54:** 1. Skruer på viseren 2. Skrue på geringsvinkelskala 3. Geringsvinkelskala

Indstil drejeskiven til positionen 0° ved hjælp af funktionen til fast stop. Juster siden af klingens i forhold til anslagsfladen ved hjælp af en trekantslineal eller anslagsvinkel. Hold justeringen, og tilspænd skrueerne på geringsvinkelskalaen. Juster derefter viserne (både højre og venstre) i forhold til 0°-positionen på geringsvinkelskalaen, og stram derefter skruen på viseren.

► **Fig.55:** 1. Trekantslineal

Skråvinkel

0° skråvinkel

Skub slæden mod anslaget, og lås glidebevægelsen med stopstiften. Sænk håndtaget helt, og lås det i den laveste position ved hjælp af stopstiften, og løsn derefter knappen. Drej justeringsbolten til 0° to eller tre omgange i retningen mod uret for at vippe klingens mod højre.

► **Fig.56:** 1. Justeringsbolt til 0° 2. Skruer

Juster forsigtigt siden af klingens i forhold til drejeskivens øverste flade ved hjælp af en trekantslineal, anslagsvinkel osv. ved at dreje justeringsbolten til 0° i retningen med uret. Stram derefter knappen fast for at fastholde den vinkel på 0°, som du har indstillet.

► **Fig.57:** 1. Trekantslineal 2. Savklinge 3. Øverste flade af drejeskiven

Kontroller igen, at siden af klingens er justeret i forhold til overfladen af drejeskiven. Løsn skruen på viseren. Juster viseren i forhold til positionen 0° på skråvinkelskalaen, og stram derefter skruen.

45° skråvinkel

BEMÆRKNING: Før du justerer 45° skråvinklen, skal du fuldføre justeringen af 0° skråvinklen.

Løsn knappen, og vip slæden helt til den side, du vil kontrollere. Kontroller, at viseren angiver positionen 45° på skråvinkelskalaen.

► **Fig.58**

Hvis viseren ikke angiver positionen 45°, skal du justere den i forhold til positionen 45° ved at dreje justeringsbolten på den modsatte side af skråvinkelskalaen.

► **Fig.59:** 1. Venstre justeringsbolt til 45° 2. Højre justeringsbolt til 45°

Justering af laserlinjens position

Kun for model LS1019L

⚠ ADVARSEL: Maskinen skal være sat i stikkontakten ved justering af laserlinjen. Vær ekstra forsigtig med ikke at tænde for maskinen under justeringen. Utilsigtet start af maskinen kan medføre alvorlig personskaade.

⚠ FORSIGTIG: Se aldrig direkte ind i laserstrålen. Hvis øjnene udsættes direkte for strålen, kan det medføre alvorlig skade på dine øjne.

BEMÆRKNING: Kontroller regelmæssigt nøjagtigheden af laserlinjens position.

BEMÆRKNING: Vær opmærksom på stød på maskinen. Det kan medføre, at laserlinjen bliver fejlljusteret, eller kan forårsage skade på laseren og forkorte dens levetid.

BEMÆRKNING: Få maskinen repareret på et Makita autoriseret servicecenter, hvis der er nogen form for fejl i laserenheden.

Laserlinjens bevægelige område bestemmes af områdejusteringsskrueerne i begge sider. Følg de følgende procedurer for at ændre laserlinjens position.

1. Tag maskinen ud af forbindelse.
2. Tegn en skærelinje på arbejdsemnet, og placer det på drejeskiven. Fastgør ikke arbejdsemnet i en skruestik eller lignende udstyr til fastgørelse på dette tidspunkt.
3. Sænk håndtaget, og juster skærelinjen i forhold til savklingen.
4. Sæt håndtaget tilbage i den oprindelige position, og fastgør arbejdsemnet med den lodrette skruestik, så arbejdsemnet ikke kan bevæge sig fra den position, du har fastlagt.
5. Sæt maskinen i stikkontakten, og tænd for kontakten til laseren.
6. Løsn justeringskruen. For at flytte laserlinjen væk fra klingens skal du dreje områdejusteringsskrueerne i retningen mod uret. For at flytte laserlinjen tættere på klingens skal du dreje områdejusteringsskrueerne i retningen med uret.

Justering af laserlinjen til venstre for klingen

- **Fig.60:** 1. Justeringsskrue
2. Områdejusteringsskrue 3. Sekskantnøgle
4. Laserlinje 5. Savklinge

Justering af laserlinjen til højre for klingen

- **Fig.61:** 1. Justeringsskrue
2. Områdejusteringsskrue 3. Sekskantnøgle
4. Laserlinje 5. Savklinge

7. Skub justeringsskruen til den position, hvor laserlinjen ligger oven på skærelinjen, og tilspænd derefter.

BEMÆRK: Laserlinjens bevægelige område er justeret fra fabrikken inden for 1 mm (0,04") fra siden af klingens.

Rengøring af laserlysets linse

Kun for model LS1019L

Laserlyset bliver svært at se, hvis linsen til laserlyset bliver snavset. Rengør regelmæssigt linsen til laserlyset.

- **Fig.62:** 1. Skrue 2. Linse

Tag maskinen ud af forbindelse. Løsn skruen, og træk linsen ud. Rengør forsigtigt linsen med en fugtig blød klud.

BEMÆRKNING: Undlad at fjerne den skrue, der holder linsen. Løsn skruen lidt mere, hvis linsen ikke kommer ud.

BEMÆRKNING: Anvend ikke opløsningsmidler eller oliebaseerede rengøringsmidler på linsen.

Udskiftning af kulbørster

- **Fig.63:** 1. Slidgrænse

Fjern og kontroller regelmæssigt kulbørsterne. Udskift dem, når de er nedslidte til slidgrænsen. Hold kulbørsterne rene og fri til at glide i holderne. Begge kulbørster skal udskiftes samtidigt. Brug kun identiske kulbørster.

Brug en skruetrækker til at fjerne kulholderdækslerne. Tag de slidte kulbørster ud, indsæt de nye, og fastgør kulholderdækslerne.

- **Fig.64:** 1. Kulholderdæksel

Efter udskiftning af børsterne skal du sætte maskinen i stikkontakten og slide børsterne til ved at lade maskinen køre uden belastning i cirka 10 minutter. Kontroller derefter maskinen under kørsel, samt at den elektriske bremse fungerer, når afbryderknappen slippes. Hvis den elektriske bremse ikke fungerer korrekt, skal maskinen repareres på et Makita servicecenter.

Efter anvendelse

Efter anvendelse aftørres spåner eller støv, der måtte klæbe til værktøjet, med en klud eller lignende. Hold beskyttelsesskærmen ren som beskrevet i afsnittet "Beskyttelsesskærm". Smør de glidende dele på værktøjet med maskinolie for at forhindre rustdannelse.

For at opretholde produktets SIKKERHED og PÅLIDELIGHED må reparation, vedligeholdelse eller justering kun udføres af et autoriseret Makita servicecenter eller fabrikksservicecenter med anvendelse af Makita reservedele.

EKSTRAUDSTYR

⚠ADVARSEL: Dette Makita udstyr og tilbehør bør anvendes sammen med den Makita maskine, der er beskrevet i denne brugsanvisning.

Anvendelse af andet ekstraudstyr eller tilbehør kan medføre alvorlig personskade.

⚠ADVARSEL: Anvend kun Makita ekstraudstyr eller tilbehør til det beregnede formål. Misbrug af ekstraudstyr eller tilbehør kan medføre alvorlig personskade.

Hvis De behøver hjælp ved valg af tilbehør eller ønsker yderligere informationer, bedes De kontakte Deres lokale Makita servicecenter.

- Stålsavklinger med karbidspids
- Lodret skruestik
- Vandret skruestik
- Stoppersæt til kronefremspring
- Støvpøse
- Trekantslineal
- Sekskantnøgle
- Sekskantnøgle (for LS1019L)

BEMÆRK: Nogle ting på denne liste kan være inkluderet i værktøjspakken som standardtilbehør. Det kan være forskellige fra land til land.

ΠΡΟΔΙΑΓΡΑΦΕΣ

| Μοντέλο: | | LS1019 | LS1019L |
|--|---------------------|--------------------------|---|
| Διάμετρος λάμας | Ευρωπαϊκές χώρες | 260 mm | |
| | Χώρες εκτός Ευρώπης | 255 mm - 260 mm | |
| Διάμετρος οπής | Ευρωπαϊκές χώρες | 30 mm | |
| | Χώρες εκτός Ευρώπης | 25,4 mm | |
| Μέγιστο πάχος εγκοπής της λάμας πριονιού | | 3,2 mm | |
| Μέγιστη λοξή γωνία | | Δεξιά 60°, Αριστερά 60° | |
| Μέγιστη κωνική γωνία | | Δεξιά 48°, Αριστερά 48° | |
| Ταχύτητα χωρίς φορτίο (RPM) | | 3.200 min ⁻¹ | |
| Τύπος λέιζερ | | - | Κόκκινο λέιζερ 650 nm, Μέγιστη έξοδος < 1,6 mW (Τάξη λέιζερ 2M) |
| Διαστάσεις (Μ x Π x Υ) | | 805 mm x 644 mm x 660 mm | |
| Καθαρό βάρος | | 26,1 kg | 26,3 kg |

Ικανότητες κοπής (Υ x Π)

| Λοξή γωνία | Κωνική γωνία | | |
|--------------------------|----------------------------------|----------------------------------|----------------------------------|
| | 45° (αριστερά) | 0° | 45° (δεξιά) |
| 0° | 42 mm x 310 mm 58 mm x 279mm | 68 mm x 310 mm 91 mm x 279 mm | 29 mm x 310 mm 43 mm x 279 mm |
| 45° (δεξιά και αριστερά) | 42 mm x 218 mm 58 mm x 197 mm | 68 mm x 218 mm 91 mm x 197 mm | 29 mm x 218 mm 43 mm x 197 mm |
| 60° (δεξιά και αριστερά) | - | 68 mm x 155 mm 91 mm x 139 mm | - |




Ικανότητες κοπής για ειδικές κοπές


| Τύπος κοπής | Ικανότητα κοπής |
|---|-----------------|
| Ανάγλυφη μόρφωση στέψης τύπου 45° (με χρήση του αναστολέα ανάγλυφης μόρφωσης στέψης) | 168 mm |
| Σοβατεπί (με χρήση οριζόντιας μέγγενης) | 133 mm |


- Λόγω του συνεχόμενου προγράμματος που εφαρμόζουμε για έρευνα και ανάπτυξη, τα τεχνικά χαρακτηριστικά στο παρόν έντυπο υπόκεινται σε αλλαγή χωρίς προειδοποίηση.
- Τα τεχνικά χαρακτηριστικά μπορεί να διαφέρουν από χώρα σε χώρα.
- Βάρος σύμφωνα με διαδικασία ΕΡΤΑ 01/2014


Σύμβολα


Παρακάτω παρουσιάζονται τα σύμβολα που χρησιμοποιούνται για τον εξοπλισμό. Βεβαιωθείτε ότι κατανοείτε τη σημασία τους πριν από τη χρήση.

| | |
|--|--|
|  | Διαβάστε το εγχειρίδιο οδηγιών. |
|  | ΔΙΠΛΗ ΜΟΝΩΣΗ |
|  | Για να αποφεύγετε τον τραυματισμό από εκτοξευόμενα θραύσματα, να κρατάτε την κεφαλή του πριονιού προς τα κάτω μετά την ολοκλήρωση των κοπών, έως ότου η λάμα ακινητοποιηθεί εντελώς. |

 Όταν εκτελείτε την ολισθητική κοπή, τραβήξτε πρώτα την κινητή βάση πλήρως και πατήστε κάτω τη λαβή, μετά στρώστε την κινητή βάση προς τον φράχτη οδηγό.

 Μην πλησιάζετε τα χέρια και τα δάκτυλα σας κοντά στη λάμα.

 Μην κοιτάζετε ποτέ τη δέσμη λέιζερ. Η άμεση δέσμη λέιζερ μπορεί να προκαλέσει βλάβη στα μάτια σας.

 Μόνο για τις χώρες της ΕΕ
Μην απορρίπτετε ηλεκτρικό εξοπλισμό μαζί με τα οικιακά απορρίμματα! Σύμφωνα με την Ευρωπαϊκή Οδηγία σχετικά με απόβλητο ηλεκτρικό και ηλεκτρονικό εξοπλισμό και την ενσωμάτωσή της στην εθνική νομοθεσία, ο ηλεκτρικός εξοπλισμός που έχει φτάσει το τέλος ζωής του πρέπει να συλλεγεται ξεχωριστά και να επιστρέφεται σε περιβαλλοντικά συμβατές εγκαταστάσεις ανακύκλωσης.

Προοριζόμενη χρήση

Το εργαλείο προορίζεται για ευθείες και λοξές κοπές ακριβείας σε ξύλο. Με τις κατάλληλες λάμες πριονιού, μπορείτε να πριονίσετε και αλουμίνιο.

Ηλεκτρική παροχή

Το εργαλείο πρέπει να συνδέεται μόνο με ηλεκτρική παροχή της ίδιας τάσης με αυτή που αναγράφεται στην πινακίδα ονομαστικών τιμών και μπορεί να λειτουργήσει μόνο με εναλλασσόμενο μονοφασικό ρεύμα. Υπάρχει διπλή μόνωση και κατά συνέπεια, μπορεί να γίνει σύνδεση σε ακροδέκτες χωρίς σύρμα γείωσης.

Θορύβος

Το τυπικό Α επίπεδο καταμετρημένου θορύβου καθορίζεται σύμφωνα με το EN62841:

Μοντέλο LS1019

Στάθμη ηχητικής πίεσης (L_{pA}): 91 dB (A)
Στάθμη ηχητικής ισχύος (L_{WA}): 101 dB (A)
Αβεβαιότητα (K): 3 dB (A)

Μοντέλο LS1019L

Στάθμη ηχητικής πίεσης (L_{pA}): 91 dB (A)
Στάθμη ηχητικής ισχύος (L_{WA}): 101 dB (A)
Αβεβαιότητα (K): 3 dB (A)

▲ ΠΡΟΕΙΔΟΠΟΙΗΣΗ: Να φοράτε ωτοασπίδες.

Κραδασμός

Η ολική τιμή δόνησης (άθροισμα τρι-αξονικού διανύσματος) καθορίζεται σύμφωνα με το EN62841:

Μοντέλο LS1019

Εκπομπή δόνησης (a_{h1}): 2,5 m/s² ή λιγότερο
Αβεβαιότητα (K): 1,5 m/s²

Μοντέλο LS1019L

Εκπομπή δόνησης (a_{h1}): 2,5 m/s² ή λιγότερο
Αβεβαιότητα (K): 1,5 m/s²

ΠΑΡΑΤΗΡΗΣΗ: Η δηλωμένη τιμή εκπομπής κραδασμών έχει μετρηθεί σύμφωνα με την πρότυπη μέθοδο δοκιμής και μπορεί να χρησιμοποιηθεί για τη σύγκριση ενός εργαλείου με άλλο.

ΠΑΡΑΤΗΡΗΣΗ: Η δηλωμένη τιμή εκπομπής κραδασμών μπορεί να χρησιμοποιηθεί και στην προκαταρκτική αξιολόγηση έκθεσης.

▲ ΠΡΟΕΙΔΟΠΟΙΗΣΗ: Η εκπομπή κραδασμών κατά τη χρήση του ηλεκτρικού εργαλείου σε πραγματικές συνθήκες μπορεί να διαφέρει από τη δηλωμένη τιμή εκπομπής ανάλογα με τον τρόπο χρήσης του εργαλείου.

▲ ΠΡΟΕΙΔΟΠΟΙΗΣΗ: Φροντίστε να λάβετε τα κατάλληλα μέτρα προστασίας του χεριστη βάσει ενός υπολογισμού της έκθεσης σε πραγματικές συνθήκες χρήσης (λαμβάνοντας υπόψη όλες τις συνιστώσες του κύκλου λειτουργίας όπως τους χρόνους που το εργαλείο είναι εκτός λειτουργίας και όταν βρίσκεται σε αδρανή λειτουργία πέραν του χρόνου ενεργοποίησης).

Δήλωση συμμόρφωσης ΕΚ

Μόνο για χώρες της Ευρώπης

Η δήλωση συμμόρφωσης ΕΚ περιλαμβάνεται ως Παράρτημα Α στο παρόν εγχειρίδιο οδηγιών.

ΠΡΟΕΙΔΟΠΟΙΗΣΕΙΣ ΑΣΦΑΛΕΙΑΣ

Γενικές προειδοποιήσεις ασφαλείας για το ηλεκτρικό εργαλείο

▲ ΠΡΟΕΙΔΟΠΟΙΗΣΗ: Διαβάστε όλες τις προειδοποιήσεις ασφάλειας, οδηγίες, εικονογραφίες και προδιαγραφές που παρέχονται με αυτό το ηλεκτρικό εργαλείο. Η μη τήρηση όλων των οδηγιών που αναγράφονται κατωτέρω μπορεί να καταλήξει σε ηλεκτροπληξία, πυρκαγιά ή/και σοβαρό τραυματισμό.

Φυλάξτε όλες τις προειδοποιήσεις και τις οδηγίες για μελλοντική παραπομπή.

Στις προειδοποιήσεις, ο όρος «ηλεκτρικό εργαλείο» αναφέρεται σε ηλεκτρικό εργαλείο που τροφοδοτείται από την κύρια παροχή ηλεκτρικού ρεύματος (με ηλεκτρικό καλώδιο) ή σε ηλεκτρικό εργαλείο που τροφοδοτείται από μπαταρία (χωρίς ηλεκτρικό καλώδιο).

Οδηγίες ασφαλείας για πριόνια λοξότμησης

1. Τα πριόνια λοξότμησης προορίζονται για την κοπή ξύλου ή ξυλοειδών προϊόντων. Δεν μπορούν να χρησιμοποιηθούν με λειαντικούς τροχούς αποκοπής για την κοπή σιδηρούχων υλικών όπως μπάρες, ράβδους, στελέχη, κτλ. Η λειαντική σκόνη προκαλεί την εμπλοκή των κινούμενων μερών, όπως του κάτω προφυλακτήρα. Οι σπινθήρες από τη λειαντική κοπή θα κάψουν τον κάτω προφυλακτήρα, το ένθετο εγκοπής και άλλα πλαστικά μέρη.
2. Χρησιμοποιήστε συγκρατητήρες για να στηρίξετε το τεμάχιο εργασίας, όπου είναι εφικτό. Αν στηρίζετε το τεμάχιο εργασίας με το χέρι, πρέπει πάντα να έχετε το χέρι σας τουλάχιστον 100 mm από κάθε πλευρά της λάμας πριονιού. Μη χρησιμοποιείτε αυτό το πριόνι για να κόψετε κομμάτια που είναι πολύ μικρά για να συγκρατήσετε με ασφάλεια ή να κρατήσετε με το χέρι. Αν τοποθετήσετε το χέρι σας πολύ κοντά στη λάμα πριονιού, υπάρχει αυξημένος κίνδυνος τραυματισμός λόγω επαφής με τη λάμα.
3. Το τεμάχιο εργασίας πρέπει να είναι ακινητοποιημένο και να συγκρατείται ή να κρατείται επάνω στο φράχτη και τον πάγκο. Μην τροφοδοτείτε ποτέ το τεμάχιο εργασίας στη λάμα και μην κόβετε «με το χέρι». Τα τεμάχια εργασίας που δεν συγκρατούνται ή που κινούνται μπορούν να εκτοξευτούν με υψηλές ταχύτητες, προκαλώντας τραυματισμό.

4. **Σπρώξτε το πριόνι μέσα από το τεμάχιο εργασίας. Μην τραβάτε το πριόνι μέσα από το τεμάχιο εργασίας. Για να κάνετε μια κοπή, σηκώστε την κεφαλή πριονιού και τραβήξτε και βγάλτε την από το τεμάχιο εργασίας χωρίς κοπή, εκκινήστε το μοτέρ, πιέστε την κεφαλή πριονιού προς τα κάτω και σπρώξτε το πριόνι μέσα από το τεμάχιο εργασίας.** Αν κόβετε στη διαδρομή τραβήγματος, είναι πιθανό η λάμα πριονιού να αναρριχηθεί στο πάνω μέρος του τεμαχίου εργασίας και να πετάξει βίαια τη διάταξη λάμας προς το χειριστή.
 5. **Μην περνάτε ποτέ το χέρι σας πάνω από την ενδεχόμενη γραμμή κοπής, ούτε μπροστά ούτε πίσω από τη λάμα πριονιού.** Είναι πολύ επικίνδυνο να στηρίζετε το τεμάχιο εργασίας με διασταυρωμένα χέρια, δηλαδή κρατάτε το τεμάχιο εργασίας στα δεξιά της λάμας πριονιού με το αριστερό χέρι σας, ή αντίστροφα.
- **Εικ.1**
6. **Μη απλώνετε οποιοδήποτε χέρι πίσω από το φράχτη πιο κοντά από 100 mm από οποιαδήποτε πλευρά της λάμας πριονιού για να απομακρύνετε υπολείμματα ξύλου ή για οποιονδήποτε άλλο λόγο ενώ η λάμα περιστρέφεται.** Η απόσταση της περιστρεφόμενης λάμας από το χέρι σας μπορεί να μην είναι προφανής και να τραυματιστείτε σοβαρά.
 7. **Επιθεωρήστε το τεμάχιο εργασίας σας πριν την κοπή. Αν το τεμάχιο εργασίας είναι καμπυλωμένο ή περιστραμμένο, συγκατήστε το με την εξωτερική πρόσωση της καμπύλης προς το φράχτη. Να βεβαιώνετε πάντα ότι δεν υπάρχει κενό μεταξύ του τεμαχίου εργασίας, του φράχτη και του πάγκου κατά μήκος της γραμμής κοπής.** Τα λυγισμένα ή περιστραμμένα τεμάχια εργασίας μπορούν να συστραφούν ή να μεταποτιστούν, και μπορεί να εμπλακούν στην περιστρεφόμενη λάμα πριονιού κατά την κοπή. Δεν πρέπει να υπάρχουν καρφιά ή ξένα αντικείμενα στο τεμάχιο εργασίας.
 8. **Μη χρησιμοποιείτε το πριόνι αν υπάρχουν εργαλεία, υπολείμματα ξύλου, κτλ. επάνω στον πάγκο, θα πρέπει να υπάρχει μόνο το τεμάχιο εργασίας.** Τα υπολείμματα μικρού μεγέθους ή τα χαλαρά κομμάτια ξύλου ή άλλα αντικείμενα που μπορεί να έρθουν σε επαφή με την περιστρεφόμενη λάμα μπορεί να εκτοξευθούν με υψηλή ταχύτητα.
 9. **Μην κόβετε ποτέ περισσότερα από ένα τεμάχια εργασίας ταυτόχρονα.** Τα πολλά στοιβαγμένα τεμάχια εργασίας δεν γίνεται να συγκατηθούν ή να στηριχθούν σωστά και μπορεί να εμπλακούν στη λάμα ή να μεταποτιστούν κατά την κοπή.
 10. **Βεβαιωθείτε ότι το πριόνι λοξότμησης είναι στερεωμένο ή τοποθετημένο σε μια επίπεδη, σταθερή επιφάνεια πριν τη χρήση.** Μια επίπεδη και σταθερή επιφάνεια εργασίας μειώνει τον κίνδυνο αστάθειας του πριονιού λοξότμησης.
 11. **Να προγραμματίζετε την εργασία σας. Κάθε φορά που αλλάζετε τη ρύθμιση της κωνικής γωνίας ή της λοξής γωνίας, να βεβαιώνετε ότι ο ρυθμιζόμενος φράχτης είναι σωστά ρυθμισμένος για να στηρίζει το τεμάχιο εργασίας καθώς και ότι δεν παρεμβαίνει με τη λάμα ή το σύστημα προστασίας.** Χωρίς να ενεργοποιήσετε το εργαλείο και χωρίς τεμάχιο εργασίας στον πάγκο, μετακινήστε τη λάμα πριονιού σε μια ολοκληρωμένη προσομοιωμένη κοπή για να βεβαιωθείτε ότι δεν θα υπάρχει καμία παρεμβολή ή κίνδυνος κοπής του φράχτη.
 12. **Παράσχετε επαρκή στήριξη, όπως επεκτάσεις πάγκου, τρίποδα πριονισμού, κτλ. για ένα τεμάχιο εργασίας με πλάτος ή μήκος μεγαλύτερο από την επιφάνεια του πάγκου.** Τα τεμάχια εργασίας που είναι μακρύτερα ή πλατύτερα από τον πάγκο του πριονιού λοξότμησης μπορούν να ανατραπούν αν δεν υποστηρίζονται με ασφάλεια. Αν το αποκομμένο κομμάτι ή το τεμάχιο εργασίας ανατραπεί, μπορεί να ανασηκωθεί ο κάτω προφυλακτήρας ή να εκτοξευτεί από την περιστρεφόμενη λάμα.
 13. **Μη χρησιμοποιείτε κάποιο άλλο άτομο ως υποκατάστατο μιας επέκτασης πάγκου ή ως επιπρόσθετη στήριξη.** Η ασταθής στήριξη του τεμαχίου εργασίας μπορεί να προκαλέσει την εμπλοκή της λάμας ή τη μετατόπιση του τεμαχίου εργασίας κατά την εργασία κοπής, τραβώντας εσάς και το βοηθό μέσα στην περιστρεφόμενη λάμα.
 14. **Το αποκομμένο κομμάτι δεν πρέπει να εμπλακεί ή να πιεστεί με οποιονδήποτε τρόπο επάνω σε μια περιστρεφόμενη λάμα πριονιού.** Αν περιοριστεί, δηλ. με τη χρήση αναστολέων μήκους, το αποκομμένο κομμάτι μπορεί να σφηνώσει επάνω στη λάμα και να εκτοξευτεί βίαια.
 15. **Να χρησιμοποιείτε πάντα συγκρατητήρα ή μηχανισμό που έχει σχεδιαστεί για τη σωστή στήριξη στρογγυλεμένων υλικών όπως ράβδους ή σωληνώσεις.** Οι ράβδοι έχουν την τάση να κυλιούνται ενώ κόβονται, προκαλώντας την εμπλοκή της λάμας και το τράβηγμα του τεμαχίου εργασίας μαζί με το χέρι σας μέσα στη λάμα.
 16. **Αφήστε τη λάμα να αποκτήσει μέγιστη ταχύτητα πριν έρθει σε επαφή με το τεμάχιο εργασίας.** Έτσι θα μειωθεί ο κίνδυνος εκτόξευσης του τεμαχίου εργασίας.
 17. **Αν το τεμάχιο εργασίας ή η λάμα εμπλακεί, απενεργοποιήστε το πριόνι λοξότμησης. Περιμένετε να ακινητοποιηθούν όλα τα κινούμενα μέρη και απουσύνετε το φιν από την πηγή τροφοδοσίας ή/και βγάλτε το πακέτο μπαταρίας. Μετά, εργαστείτε για να ελευθερώσετε το υλικό που έχει εμπλακεί.** Το συνεχιζόμενο πριόνισμα με τεμάχιο εργασίας που έχει εμπλακεί μπορεί να προκαλέσει την απώλεια ελέγχου ή ζημιά στο πριόνι λοξότμησης.
 18. **Αφού τελειώσετε την κοπή, αφήστε το διακόπτη, κρατήστε την κεφαλή πριονιού προς τα κάτω και περιμένετε να ακινητοποιηθεί η λάμα πριν αφαιρέσετε το αποκομμένο κομμάτι.** Είναι επικίνδυνο να τοποθετήσετε το χέρι σας κοντά σε λάμα που συνεχίζει να περιστρέφεται.
 19. **Κρατήστε τη λαβή σταθερά όταν εκτελείτε μια ατελή κοπή ή όταν αφήνετε το διακόπτη πριν η κεφαλή πριονιού βρεθεί πλήρως στην κάτω θέση.** Η ενέργεια πέδησης του πριονιού μπορεί να προκαλέσει το ξαφνικό τράβηγμα της κεφαλής πριονιού προς τα κάτω, προκαλώντας κίνδυνο τραυματισμού.

20. Χρησιμοποιείτε μόνο τη λάμα πριονιού με τη διάμετρο που είναι επισημασμένη στο εργαλείο ή που καθορίζεται στο εγχειρίδιο. Η χρήση μιας λάμας λανθασμένου μεγέθους μπορεί να επηρεάσει τη σωστή προστασία της λάμας ή τη λειτουργία της προφυλακτήρα, γεγονός που μπορεί να έχει ως αποτέλεσμα σοβαρό προσωπικό τραυματισμό.
21. Να χρησιμοποιείτε μόνο λάμες πριονιού που είναι επισημασμένες με ταχύτητα ίση με ή υψηλότερη από την ταχύτητα που είναι επισημασμένη στο εργαλείο.
22. Μη χρησιμοποιείτε το πριόνι για να κόψετε οτιδήποτε άλλο εκτός από ξύλο, αλουμίνιο ή παρόμοια υλικά.
23. (Για τις Ευρωπαϊκές χώρες μόνο)
Να χρησιμοποιείτε πάντα λάμα που συμμορφώνεται με το πρότυπο EN847-1.

Επιπρόσθετες οδηγίες

1. Χρησιμοποιήστε λουκέτα για να καταστήσετε το συνεργείο ασφαλές για παιδιά.
2. Ποτέ μην στέκεστε πάνω στο εργαλείο. Μπορεί να προκληθεί σοβαρός τραυματισμός αν το εργαλείο ανατραπεί ή αν αγγίξετε κατά λάθος το εργαλείο κοπής.
3. Μην αφήνετε ποτέ το εργαλείο σε λειτουργία αν δεν το προσέχετε. Απενεργοποιήστε την ισχύ. Μην αφήσετε το εργαλείο μέχρι να ακινητοποιηθεί εντελώς.
4. Μη χειρίζεστε το εργαλείο χωρίς τους προφυλακτήρες στη θέση τους. Ελέγξτε τον προφυλακτήρα λάμας για κανονικό κλείσιμο πριν από κάθε χρήση. Μη θέτετε το πριόνι σε λειτουργία αν ο προφυλακτήρας λάμας δεν κινείται ελεύθερα και δεν κλείνει αμέσως. Ποτέ μη σφίξετε ή δέσετε τον προφυλακτήρα λάμας στη θέση ανοίγματος.
5. Κρατάτε τα χέρια μακριά από την τροχιά της λάμας πριονιού. Αποφύγετε επαφή και με λάμες μικρής ταχύτητας. Μπορεί επίσης να προκαλέσουν σοβαρό τραυματισμό.
6. Ποτέ μη σφίξετε ή δέσετε τον προφυλακτήρα λάμας στη θέση ανοίγματος.
7. Για να μειώσετε τον κίνδυνο πρόκλησης τραυματισμού, να επιστρέψετε την κινητή βάση στην πλήρως πίσω θέση μετά από κάθε εργασία εκγάρσεως τομής.
8. Να ασφαρίζετε πάντα όλα τα κινούμενα μέρηματα πριν μεταφέρετε το εργαλείο.
9. Ο ανασταλτικός πείρος που κλειδώνει την κεφαλή του κόπτη κάτω είναι μόνο για τον σκοπό μεταφοράς και αποθήκευσης και όχι για λειτουργίες κοπής.
10. Πριν από τη λειτουργία, να ελέγχετε προσεκτικά τη λάμα για ραγίσματα ή ζημιά. Να αντικαθιστάτε αμέσως ραγισμένη ή κατεστραμμένη λάμα. Η κόλλα και τα πριονίσματα ξύλου που έχουν ξεραθεί επάνω στις λάμες επιβραδύνουν το πριόνι και αυξάνουν την πιθανότητα κλοστήματος. Διατηρείτε τη λάμα καθαρή αφού πρώτα τη βγάλετε από το εργαλείο και μετά την καθαρίσετε με καθαριστικό για κόλλα και πριονίσματα, ζεστό νερό ή κηροζίνη. Μην χρησιμοποιείτε ποτέ βενζίνη για να καθαρίσετε τη λάμα.

11. Ενώ πραγματοποιείτε μια ολισθητική κοπή, μπορεί να συμβεί ΚΛΟΤΣΗΜΑ. Το ΚΛΟΤΣΗΜΑ συμβαίνει όταν η λάμα εμπλέκεται μέσα στο τεμάχιο εργασίας κατά την εργασία κοπής και η λάμα πριονιού οδηγείται γρήγορα προς το χειριστή. Μπορεί να προκαλέσει άπωλια ελέγχου και σοβαρός προσωπικός τραυματισμός. Αν η λάμα αρχίσει να εμπλέκεται κατά την εργασία κοπής, μη συνεχίσετε την κοπή και αφήστε το διακόπτη αμέσως.
 12. Χρησιμοποιείτε μόνο τις ειδικές φλάντζες για το εργαλείο αυτό.
 13. Προσέξτε να μη κάνετε ζημιά στην άτρακτο, στις φλάντζες (ειδικά στην επιφάνεια εγκατάστασης) ή στο μπουλόνι. Ζημιά στα εξαρτήματα αυτά μπορεί να προκαλέσει σπάσιμο της λάμας.
 14. Να βεβαιώνετε ότι η περιστροφική βάση είναι κατάλληλα ασφαλισμένη, ώστε να μη μετακινηθεί κατά τη λειτουργία. Χρησιμοποιήστε τις σπές στη βάση για να στερεώσετε το πριόνι σε μια σταθερή πλατφόρμα εργασίας ή πάγκο. Μη χρησιμοποιείτε ΠΟΤΕ εργαλείο όταν η στάση του χειριστή μπορεί να είναι αδέξια.
 15. Να βεβαιώνετε ότι η ασφάλιση άξονα είναι ελεύθερη πριν ενεργοποιήσετε τον διακόπτη.
 16. Να βεβαιώνετε ότι η λάμα δεν αγγίζει την περιστροφική βάση στην κατώτατη θέση.
 17. Να κρατάτε σταθερά τη λαβή. Έχετε υπόψη σας ότι το πριόνι κινείται πάνω και κάτω ελαφρά κατά το ξεκίνημα και το σταμάτημα.
 18. Να βεβαιώνετε ότι η λάμα δεν αγγίζει το τεμάχιο εργασίας πριν την ενεργοποίηση του διακόπτη.
 19. Πριν χρησιμοποιήσετε το εργαλείο στο πραγματικό τεμάχιο εργασίας, αφήστε το να τρέξει για λίγο. Παρακολουθήστε το για κραδασμούς ή ταλαντώσεις που μπορεί να δείχνουν κακή τοποθέτηση ή κακή ισοζύγηση λάμας.
 20. Σταματήστε αμέσως τη λειτουργία εάν παρατηρήσετε κάτι αφύσικο.
 21. Μην προσπαθήσετε να κλειδώσετε τη σκανδάλη στη θέση «ΕΝΕΡΓΟΠΟΙΗΣΗΣ».
 22. Να χρησιμοποιείτε πάντα τα ανταλλακτικά που συνιστώνται στο εγχειρίδιο αυτό. Η χρήση ακατάλληλων ανταλλακτικών όπως λιπαντικών τροχών μπορεί να προκαλέσει τραυματισμό.
 23. Μερικά υλικά περιέχουν χημικά που μπορεί να είναι τοξικά. Να προσέχετε ώστε να αποφευχθεί να την εισπνοή σκόνης και την επαφή με το δέρμα. Να ακολουθείτε τα δεδομένα ασφαλείας του προμηθευτή υλικού.
- Πρόσθετοι κανόνες ασφαλείας για το λείζερ
1. ΑΚΤΙΝΟΒΟΛΙΑ ΛΕΙΖΕΡ, ΜΗΝ ΚΟΙΤΑΕ ΜΕΣΑ ΣΤΗ ΔΕΞΜΗ ΚΑΙ ΜΗΝ ΠΡΟΒΑΛΕΤΕ ΚΑΤΕΥΘΕΙΑΝ ΜΕ ΟΠΤΙΚΑ ΟΡΓΑΝΑ, ΠΡΟΪΟΝ ΛΕΙΖΕΡ ΤΑΞΗΣ 2Μ.

ΦΥΛΑΞΤΕ ΑΥΤΕΣ ΤΙΣ ΟΔΗΓΙΕΣ.

▲ΠΡΟΕΙΔΟΠΟΙΗΣΗ: ΜΗΝ επιτρέψετε στην άνεση ή στην εξοικείωσή σας με το προϊόν (που αποκτήθηκε από επανειλημμένη χρήση) να αντικαταστήσει την αυστηρή τήρηση των κανόνων ασφαλείας του παρόντος εργαλείου. Η ΛΑΝΘΑΣΜΕΝΗ ΧΡΗΣΗ ή η αμέλεια να ακολουθήσετε τους κανόνες ασφαλείας που διατυπώνονται στο παρόν εγχειρίδιο οδηγούν μπορεί να προκαλέσει σοβαρό προσωπικό τραυματισμό.

ΠΕΡΙΓΡΑΦΗ ΕΞΑΡΤΗΜΑΤΩΝ

► Εικ.2

| | | | | | | | |
|----|--|----|--|----|--|----|--|
| 1 | Στύλος ολίσθησης | 2 | Ανασταλτικός πείρος (για ολίσθηση κινητής βάσης) | 3 | Κάθετη μέγγενη | 4 | Κουμπί απασφάλισης (για κωνική γωνία δεξιάς πλευράς) |
| 5 | Συγκρατητής | 6 | Περιστροφική βάση | 7 | Δείκτης (για λοξή γωνία) | 8 | Κλίμακα λοξής γωνίας |
| 9 | Σανίδα εγκοπής | 10 | Θήκη λάμας | 11 | Ρυθμιστική βίδα (για γραμμή λέιζερ) | 12 | Βίδα ρύθμισης εύρους (για γραμμή λέιζερ) |
| 13 | Προφυλακτήρας λάμας | 14 | Κουμπί (για κωνική γωνία) | 15 | Εξαγωνικό κλειδί | 16 | Ρυθμιστική βίδα (για θέση κάτω οριού) |
| 17 | Ρυθμιστικό μπουλόνι (για μέγιστη ικανότητα κοπή) | 18 | Ανασταλτικός βραχίονας | 19 | Μοχλός ασφάλισης (για περιστροφική βάση) | 20 | Μοχλός απασφάλισης (για περιστροφική βάση) |
| 21 | Λαβή (για περιστροφική βάση) | - | - | - | - | - | - |

► Εικ.3

| | | | | | | | |
|----|--|----|---|----|--|----|---|
| 1 | Σκανδάλη διακόπτης | 2 | Κουμπί κλειδώματος | 3 | Οπή λουκέτου | 4 | Διακόπτης (για γραμμή λέιζερ) |
| 5 | Εύκαμπτος σωλήνας (για εξαγωγή σκόνης) | 6 | Ανασταλτικός πείρος (για ανύψωση κινητής βάσης) | 7 | Φράχτης οδηγός (κάτω φράχτης) | 8 | Φράχτης οδηγός (άνω φράχτης) |
| 9 | Σάκος σκόνης | 10 | Ρυθμιστικό μπουλόνι 0° (για κωνική γωνία) | 11 | Κλίμακα κωνικής γωνίας | 12 | Μοχλός απασφάλισης (για κωνική γωνία 48°) |
| 13 | Μοχλός συγκράτησης (για κωνική γωνία) | 14 | Δείκτης (για κωνική γωνία) | 15 | Ρυθμιστικό μπουλόνι 45° (για κωνική γωνία) | - | - |

ΤΟΠΟΘΕΤΗΣΗ

Τοποθέτηση της λαβής

Βιδώστε τον κοχλιωτό άξονα της λαβής μέσα στην περιστροφική βάση.

► **Εικ.4:** 1. Λαβή 2. Περιστροφική βάση

Τοποθέτηση του εύκαμπτου σωλήνα εξαγωγής σκόνης

Συνδέστε τον εύκαμπο σωλήνα εξαγωγής σκόνης στο εργαλείο όπως απεικονίζεται.

Βεβαιωθείτε ότι η γωνία και το χιτώριο ταιριάζουν σωστά στις θύρες του εργαλείου.

► **Εικ.5:** 1. Εύκαμπτος σωλήνας εξαγωγής σκόνης
2. Γωνία 3. Χιτώριο 4. Θύρα

Στερέωση στον πάγκο

Κατά την αποστολή του εργαλείου, η λαβή είναι κλειδωμένη στη χαμηλωμένη θέση με τον ανασταλτικό πείρο. Ενώ χαμηλώνετε λίγο τη λαβή, τραβήξτε τον ανασταλτικό πείρο και περιστρέψτε τον κατά 90°.

► **Εικ.6:** 1. Κλειδωμένη θέση 2. Ξεκλειδωτή θέση
3. Ανασταλτικός πείρος

Το εργαλείο αυτό πρέπει να είναι βιδωμένο με τέσσερα μπουλόνια σε μια επίπεδη και σταθερή επιφάνεια χρησιμοποιώντας τις σπές για μπουλόνια που παρέχονται στη βάση του εργαλείου. Αυτό θα βοηθήσει στην αποφυγή ανατροπής και πιθανού τραυματισμού.

► Εικ.7: 1. Μπουλόνι

▲ ΠΡΟΕΙΔΟΠΟΙΗΣΗ: Βεβαιωθείτε ότι το εργαλείο δεν θα μετακινηθεί πάνω στην επιφάνεια στήριξης. Η μετακίνηση του πριονιού λοξότομησης πάνω στην επιφάνεια στήριξης κατά την κοπή μπορεί να καταλήξει σε απώλεια ελέγχου και σοβαρό τραυματισμό.

ΠΕΡΙΓΡΑΦΗ ΛΕΙΤΟΥΡΓΙΑΣ

▲ ΠΡΟΕΙΔΟΠΟΙΗΣΗ: Να βεβαιώνεστε πάντα ότι το εργαλείο είναι σβηστό και αποσυνδεδεμένο από την ηλεκτρική παροχή πριν ρυθμίσετε ή ελέγχετε κάποια λειτουργία του εργαλείου. Αν δεν σβήσετε το εργαλείο και δεν το αποσυνδέσετε από το ηλεκτρικό ρεύμα, μπορεί να προκληθεί σοβαρός προσωπικός τραυματισμός από την τυχαία εκκίνηση.

Προφυλακτήρας λάμας

► **Εικ.8:** 1. Προφυλακτήρας λάμας

Όταν χαμηλώνετε τη λαβή, ο προφυλακτήρας λάμας ανυψώνεται αυτόματα. Ο προφυλακτήρας έχει ελατήριο που είναι επιστρέφει στην αρχική του θέση όταν η κοπή έχει συμπληρωθεί και η λαβή έχει ανυψωθεί.

▲ ΠΡΟΕΙΔΟΠΟΙΗΣΗ: Ποτέ μην εξουδετερώνετε ή αφαιρέσετε τον προφυλακτήρα λάμας ή το ελατήριο που προσαρμόζεται στον προφυλακτήρα. Μια εκτεθειμένη λάμα λόγω ακρίβειάς της μπορεί να καταλήξει σε σοβαρό τραυματισμό στη διάρκεια της λειτουργίας.

Για την προσωπική σας ασφάλεια, να διατηρείτε πάντα τον προφυλακτήρα λάμας σε καλή κατάσταση. Οποιαδήποτε ακανόνιστη λειτουργία του προφυλακτήρα λάμας θα πρέπει να διορθωθεί αμέσως. Ελέγξτε να βεβαιωθείτε για τη δράση του ελατηρίου επαναφοράς του προφυλακτήρα.

▲ ΠΡΟΕΙΔΟΠΟΙΗΣΗ: Ποτέ μη χρησιμοποιείτε το εργαλείο εάν ο προφυλακτήρας λάμας ή το ελατήριο έχουν πάθει ζημιά, βλάβη ή έχουν αφαιρεθεί. Η λειτουργία του εργαλείου με προφυλακτήρα ο οποίος έχει υποστεί ζημιά, είναι ελαττωματικός ή έχει αφαιρεθεί μπορεί να καταλήξει σε σοβαρό τραυματισμό.

Αν συσσωρευτούν ακαθαρσίες στο διάφανο προφυλακτήρα λάμας, ή έχει προσκολληθεί πριονίδι ώστε να μην είναι πλέον ορατή η λάμα ή/και το τεμάχιο εργασίας, αποσυνδέστε το πριόνι από την παροχή ρεύματος και καθαρίστε τον προφυλακτήρα προσεκτικά με ένα υγρό πανί. Μην χρησιμοποιείτε διαλυτικά ή καθαριστικά με βάση το πετρέλαιο στον πλαστικό προφυλακτήρα επειδή αυτό μπορεί να προκαλέσει φθορά στον προφυλακτήρα.

Αν ο προφυλακτήρας λάμας είναι ιδιαίτερα βρόμικος και η ορατότητα μέσα από τον προφυλακτήρα είναι μειωμένη, αποσυνδέστε το εργαλείο από το ηλεκτρικό ρεύμα και χρησιμοποιήστε το παρεχόμενο κλειδί για να χαλαρώσετε το μπουλόνι εξαγωγικού κοιλώματος κρατώντας το κάλυμμα κέντρου. Χαλαρώστε το μπουλόνι εξαγωγικού κοιλώματος περιστρέφοντάς το αριστερόστροφα και σηκώστε τον προφυλακτήρα λάμας και το κάλυμμα κέντρου. Με τον προφυλακτήρα λάμας σε αυτή τη θέση, μπορείτε να επιτύχετε πιο ολοκληρωμένο και αποδοτικό καθαρισμό. Όταν ο καθαρισμός ολοκληρωθεί, ακολουθήστε την ανωτέρω διαδικασία με αντίστροφη σειρά και ασφαλίστε το μπουλόνι. Μην αφαιρέσετε τον ελατηριώχο προφυλακτήρα λάμας. Αν ο προφυλακτήρας αποχρωματιστεί λόγω φθοράς ή έκθεσης σε ακτινοβολία UV, απευθυνθείτε σε κάποιο κέντρο σέρβις της Makita για έναν καινούριο προφυλακτήρα. ΜΗΝ ΕΞΟΥΔΕΤΕΡΩΣΕΤΕ Ή ΑΦΑΙΡΕΣΕΤΕ ΤΟΝ ΠΡΟΦΥΛΑΚΤΗΡΑ.

► **Εικ.9:** 1. Κάλυμμα κέντρου 2. Εξαγωγικό κλειδί 3. Προφυλακτήρας λάμας

Σανίδες εγκοπής

Αυτό το εργαλείο είναι εφοδιασμένο με τις σανίδες εγκοπών στην περιστροφική βάση του για να ελαχιστοποιεί το σχίσμο στην πλευρά εξόδου κοπής. Οι σανίδες εγκοπών είναι εργοστασιακά ρυθμισμένες έτσι ώστε η λάμα πριονιού να μην κάνει επαφή με τις σανίδες εγκοπών. Πριν από τη χρήση, ρυθμίστε τις σανίδες εγκοπών ως εξής:

► **Εικ.10:** 1. Σανίδα εγκοπής

► **Εικ.11:** 1. Αριστερή κωνική κοπή 2. Ίσια κοπή 3. Δεξιά κωνική κοπή 4. Λάμα πριονιού 5. Δόντια λάμας 6. Σανίδα εγκοπής

Πρώτα, αποσυνδέστε το εργαλείο από το ηλεκτρικό ρεύμα. Χαλαρώστε όλες τις βίδες (2 στα αριστερά και δεξιά) που ασφαλίζουν τις σανίδες εγκοπών μέχρι οι σανίδες εγκοπών να μπορούν ακόμη να κινούνται εύκολα με το χέρι. Χαμηλώστε τη λαβή πλήρως, μετά τραβήξτε και γυρίστε τον ανασταλτικό πείρο για να κλειδώσει τη λαβή στην κάτω θέση. Ελευθερώστε τον ανασταλτικό πείρο στον στύλο ολίσθησης και τραβήξτε την κινητή βάση πλήρως προς το μέρος σας. Ρυθμίστε τις σανίδες εγκοπών έτσι ώστε μόλις να αγγιζούν τις πλευρές των δοντιών της λάμας. Σφίξτε τις εμπρόσθιες βίδες (μην τις σφίξετε πολύ). Σπρώξτε την κινητή βάση προς τον φράχτη οδηγό πλήρως και ρυθμίστε τις σανίδες εγκοπών έτσι ώστε μόλις να αγγίζουν τις πλευρές των δοντιών της λάμας. Σφίξτε τις πίσω βίδες (μην τις σφίξετε πολύ).

Μετά τη ρύθμιση των σανίδων εγκοπών, ελευθερώστε τον ανασταλτικό πείρο και σηκώστε τη λαβή. Μετά σφίξτε όλες τις βίδες με ασφάλεια.

ΕΙΔΟΠΟΙΗΣΗ: Μόλις ρυθμίσετε την κωνική γωνία, βεβαιωθείτε ότι οι σανίδες εγκοπών είναι ρυθμισμένες κατάλληλα. Η σωστή ρύθμιση των σανίδων εγκοπών θα διευκολύνει την κατάλληλη στήριξη του τεμαχίου εργασίας ελαχιστοποιώντας το σχίσμο του τεμαχίου εργασίας.

Διατήρηση της μέγιστης ικανότητας κοπής

Αυτό το εργαλείο είναι εργοστασιακά ρυθμισμένο για να παρέχει τη μέγιστη ικανότητα κοπής για μια λάμα πριονιού 255 mm ή 260 mm.

Όταν τοποθετείτε μια νέα λάμα, να ελέγχετε πάντα την κάτω οριζική θέση της λάμας, και αν είναι απαραίτητο, ρυθμίστε ως εξής:

Πρώτα, αποσυνδέστε το εργαλείο από το ηλεκτρικό ρεύμα. Γυρίστε το μοχλό αναστολής στη δεσμευμένη θέση.

► **Εικ.12:** 1. Μοχλός αναστολής

Σπρώξτε την κινητή βάση προς τον φράχτη οδηγό πλήρως και χαμηλώστε εντελώς τη λαβή. Ρυθμίστε τη θέση λάμας περιστρέφοντας το ρυθμιστικό μπουλόνι με το εξαγωγικό κλειδί. Η περιφέρεια της λάμας θα πρέπει να επεκτείνεται λίγο κάτω από την άνω επιφάνεια της περιστροφικής βάσης και επίσης να φτάσει στο σημείο όπου η μπροστινή πρόσοψη του φράχτη οδηγού συναντάει άνω επιφάνεια της περιστροφικής βάσης.

► **Εικ.13:** 1. Ρυθμιστικό μπουλόνι

► **Εικ.14:** 1. Άνω επιφάνεια της περιστροφικής βάσης 2. Περιφέρεια της λάμας 3. Φράχτης οδηγός

Με το εργαλείο αποσυνδεδεμένο από την ηλεκτρική παροχή, περιστρέψτε τη λάμα με το χέρι ενώ κρατάτε τη λαβή τέρμα κάτω για να βεβαιωθείτε ότι η λάμα δεν έρχεται σε επαφή με κανένα τμήμα της κάτω βάσης. Επαναρυθμίστε ελαφρά, εάν είναι απαραίτητο. Μετά τη ρύθμιση, να επιστρέψετε πάντα το μοχλό αναστολής στην αρχική θέση.

ΠΡΟΕΙΔΟΠΟΙΗΣΗ: Μετά από την τοποθέτηση καινούριας λάμας και με το εργαλείο αποσυνδεδεμένο, να φροντίζετε πάντα ώστε η λάμα να μην έρχεται σε επαφή με οποιοδήποτε μέρος της κάτω βάσης όταν χαμηλώνετε πλήρως τη λαβή. Σε περίπτωση επαφής της λάμας με τη βάση, μπορεί να προκληθεί κλότσημα και σοβαρός τραυματισμός.

Ανασταλτικός βραχίονας

Η θέση κάτω ορίου της λάμας μπορεί εύκολα να ρυθμιστεί με τον ανασταλτικό βραχίονα. Για τη ρύθμισή του, γυρίστε τον ανασταλτικό βραχίονα προς την κατεύθυνση του βέλους όπως απεικονίζεται στην εικόνα. Γυρίστε τη ρυθμιστική βίδα με τρόπο ώστε η λάμα να σταματήσει στην επιθυμητή θέση όταν χαμηλώνετε πλήρως τη λαβή.

► **Εικ.15:** 1. Ανασταλτικός βραχίονας 2. Ρυθμιστική βίδα

Ρύθμιση της λοξής γωνίας

ΠΡΟΣΟΧΗ: Αφού αλλάξετε τη λοξή γωνία, πάντοτε να ασφαλίσετε την περιστροφική βάση σφίγγοντας τη λαβή σταθερά.

ΕΙΔΟΠΟΙΗΣΗ: Όταν γυρίζετε την περιστροφική βάση, να βεβαιώνετε ότι ανυψώνετε τη λαβή εντελώς.

► **Εικ.16:** 1. Μοχλός ασφάλισης 2. Λαβή 3. Μοχλός απασφάλισης 4. Δείκτης

Περιστρέψτε τη λαβή αριστερόστροφα για να απασφαλίσετε την περιστροφική βάση. Περιστρέψτε τη λαβή ενώ κρατάτε κάτω το μοχλό ασφάλισης για να μετακινήσετε την περιστροφική βάση. Ευθυγραμμίστε το δείκτη με την επιθυμητή γωνία στην κλίμακα και μετά σφίξτε τη λαβή.

ΠΑΡΑΤΗΡΗΣΗ: Αν πατήσετε το μοχλό απασφάλισης, μπορείτε να μετακινήσετε την περιστροφική βάση ενώ κρατάτε κάτω το μοχλό ασφάλισης. Σφίξτε τη λαβή στη θέση που θέλετε.

Αυτό το πριόνι λοξότμησης χρησιμοποιεί τη λειτουργία θετικής διακοπής. Μπορείτε να ρυθμίσετε γρήγορα δεξιά/αριστερή λοξή γωνία 0°, 15°, 22,5°, 31,6°, 45° και 60°. Για να χρησιμοποιήσετε αυτή τη λειτουργία, μετακινήστε την περιστροφική βάση κοντά στην επιθυμητή γωνία θετικής διακοπής ενώ κρατάτε κάτω το μοχλό ασφάλισης. Μετά, απελευθερώστε το μοχλό ασφάλισης και μετακινήστε την περιστροφική βάση προς τα μπροστά μέχρι να ασφαλιστεί η περιστροφική βάση.

Ρύθμιση της κωνικής γωνίας

ΕΙΔΟΠΟΙΗΣΗ: Να αφαιρείτε πάντα τους άνω φράχτες οδηγούς και την κάθετη μέγγενη πριν ρυθμίσετε την κωνική γωνία.

ΕΙΔΟΠΟΙΗΣΗ: Όταν αλλάζετε κωνικές γωνίες, να βεβαιώνετε ότι τοποθετείτε τις σανίδες εγκοπών κατάλληλα όπως εξηγείται στην ενότητα «Σανίδες εγκοπής».

ΕΙΔΟΠΟΙΗΣΗ: Όταν δίνετε κλίση στη λάμα πριονιού, να βεβαιώνετε ότι ανυψώνετε τη λαβή εντελώς.

1. Περιστρέψτε το κουμπί στον στόλο ολίσθησης αριστερόστροφα.

► **Εικ.17:** 1. Κουμπί

2. Τραβήξτε και γυρίστε το μοχλό συγκράτησης στη θέση που απεικονίζεται.

► **Εικ.18:** 1. Μοχλός συγκράτησης

3. Ταιριάξτε το δείκτη με την επιθυμητή γωνία στην κλίμακα μετακινώντας την κινητή βάση και μετά σφίξτε το κουμπί.

► **Εικ.19:** 1. Κλίμακα κωνικής γωνίας 2. Δείκτης

Για να γείρετε την κινητή βάση προς τα δεξιά, γείρετε την κινητή βάση λίγο προς τα αριστερά και μετά γείρετέ την προς τα δεξιά ενώ πατάτε το κουμπί απασφάλισης.

► **Εικ.20:** 1. Κουμπί απασφάλισης

Αν εκτελέσετε μια κωνική κοπή μεγαλύτερη από 45°, μετακινήστε την κινητή βάση ενώ ολισθαίνετε το μοχλό απασφάλισης προς το μπροστινό μέρος του εργαλείου. Μπορείτε να εκτελέσετε κωνική κοπή μέχρι 48°.

► **Εικ.21:** 1. Μοχλός απασφάλισης

Αυτό το πριόνι λοξότμησης χρησιμοποιεί τη λειτουργία θετικής διακοπής. Μπορείτε να ρυθμίσετε γωνία 22,5° και 33,9° προς τα δεξιά και αριστερά γρήγορα. Ρυθμίστε το μοχλό συγκράτησης στη θέση που απεικονίζεται και γείρετε την κινητή βάση. Για να αλλάξετε τη γωνία, τραβήξτε το μοχλό συγκράτησης και γείρετε την κινητή βάση.

► **Εικ.22:** 1. Μοχλός συγκράτησης

ΠΡΟΣΟΧΗ: Αφού αλλάξετε την κωνική γωνία, να ασφαλίσετε πάντα το κουμπί.

Ολισθαίνον κλειδώμα

Για να κλειδώσετε την ολισθαίνουσα κίνηση της κινητής βάσης, στρώξτε την κινητή βάση προς τον φράχτη οδηγό μέχρι να σταματήσει. Τραβήξτε τον ανασταλτικό πείρο και περιστρέψτε τον κατά 90°.

► **Εικ.23:** 1. Ξεκλειδωτή θέση 2. Κλειδωμένη θέση 3. Ανασταλτικός πείρος

Δράση διακόπτη

▲ ΠΡΟΕΙΔΟΠΟΙΗΣΗ: Πριν από τη σύνδεση του εργαλείου στην ηλεκτρική παροχή, να ελέγχετε πάντα ότι η σκανδάλη διακόπτης ενεργοποιείται σωστά και επιστρέφει στην ανενεργή θέση «ΑΝΕΝΕΡΓΟ» όταν την αφήνετε. Μην τραβάτε τη σκανδάλη διακόπτη δυνατά χωρίς να πατήσετε μέσα το κουμπί κλειδώματος. Αυτό μπορεί να προκαλέσει βλάβη του διακόπτη. Η λειτουργία ενός εργαλείου με διακόπτη ο οποίος δεν ενεργοποιείται κατάλληλα μπορεί να οδηγήσει σε απώλεια ελέγχου και σοβαρό τραυματισμό.

▲ ΠΡΟΕΙΔΟΠΟΙΗΣΗ: Μην χρησιμοποιείτε ΠΟΤΕ εργαλείο χωρίς πλήρως λειτουργική σκανδάλη διακόπτη. Οποιοδήποτε εργαλείο με διακόπτη εκτός λειτουργίας είναι ΕΞΑΙΡΕΤΙΚΑ ΕΠΙΚΙΝΔΥΝΟ και απαιτείται η επισκευή του πριν από περαιτέρω χρήση, διαφορετικά μπορεί να προκληθεί σοβαρός προσωπικός τραυματισμός.

▲ ΠΡΟΕΙΔΟΠΟΙΗΣΗ: Μην παρακάμψετε ΠΟΤΕ το κουμπί απασφάλισης συγκρατώντας το πιεσμένο με αυτοκόλλητη ταινία ή άλλο μέσο. Ένας διακόπτης με παραβιασμένο κουμπί απασφάλισης μπορεί να προκαλέσει ακούσια λειτουργία και σοβαρό ατομικό τραυματισμό.

▲ ΠΡΟΕΙΔΟΠΟΙΗΣΗ: Μην χρησιμοποιείτε ΠΟΤΕ το εργαλείο αν μπορείτε να το θέσετε σε λειτουργία πιέζοντας απλά τη σκανδάλη διακόπτη, χωρίς να πατήσετε και το κουμπί απασφάλισης. Ένας διακόπτης που απαιτεί επισκευή μπορεί να προκαλέσει ακούσια λειτουργία και σοβαρό ατομικό τραυματισμό. Στείλτε το εργαλείο σε κέντρο εξυπηρέτησης της Makita για να το επισκευάσουν σωστά ΠΡΙΝ το χρησιμοποιήσετε ξανά.

► **Εικ.24:** 1. Σκανδάλη διακόπτης 2. Κουμπί κλειδώματος 3. Οπή λουκέτου

Για να εμποδίσει το τυχαίο τράβηγμα της σκανδάλης διακόπτη, υπάρχει ένα κουμπί κλειδώματος. Για να ξεκινήσει το εργαλείο, πατήστε μέσα το κουμπί κλειδώματος και πατήστε τη σκανδάλη διακόπτη. Ελευθερώστε τη σκανδάλη διακόπτη για να σταματήσει. Παρέχεται οπή στη σκανδάλη διακόπτη για την εισαγωγή λουκέτου, ώστε να επιτυγχάνεται κλειδώμα του εργαλείου.

▲ ΠΡΟΕΙΔΟΠΟΙΗΣΗ: Μην χρησιμοποιείτε λουκέτο με στέλεχος ή συρματόσχοινο διαμέτρου μικρότερου από 6,35 mm (1/4"). Ένα μικρότερο στέλεχος ή συρματόσχοινο μπορεί να μην ασφαλίσει κατάλληλα το εργαλείο στην ανενεργή θέση και μπορεί να προκληθεί ανεπιθύμητη λειτουργία και πρόκληση σοβαρού τραυματισμού.

Ηλεκτρονική λειτουργία

Έλεγχος σταθερής ταχύτητας

Το εργαλείο παρέχεται με ηλεκτρονικό έλεγχο ταχύτητας που βοηθάει στη διατήρηση μιας σταθερής ταχύτητας περιστροφής λάμας ακόμη και υπό φόρτο. Μια σταθερή ταχύτητα περιστροφής λάμας θα έχει ως αποτέλεσμα μια πολύ ομαλή κοπή.

Δυνατότητα ομαλής έναρξης

Αυτή η λειτουργία επιτρέπει την ομαλή έναρξη του εργαλείου αφού περιορίζεται η ροπή εκκίνησης.

Δράση δέσμης λέιζερ

Για μοντέλο LS1019L μόνο

▲ ΠΡΟΣΟΧΗ: Μην κοιτάζετε ποτέ τη δέσμη λέιζερ. Η άμεση δέσμη λέιζερ μπορεί να προκαλέσει βλάβη στα μάτια σας.

Για να ανάψετε τη δέσμη φωτός, πατήστε την άνω θέση (I) του διακόπτη. Για να σβήσετε τη δέσμη φωτός, πατήστε την κάτω θέση (O) του διακόπτη.

► **Εικ.25:** 1. Διακόπτης για λέιζερ

Η γραμμή λέιζερ μπορεί να μετατοπιστεί στην αριστερή ή στη δεξιά της λάμας πρινونیου αν περιστρέψετε τη ρυθμιστική βίδα όπως περιγράφεται στη συνέχεια.

► **Εικ.26:** 1. Ρυθμιστική βίδα

1. Χαλαρώστε τη ρυθμιστική βίδα περιστρέφοντάς την αριστερόστροφα.
2. Με τη ρυθμιστική βίδα χαλαρή, ολισθήστε τη ρυθμιστική βίδα προς τα δεξιά ή προς τα αριστερά μέχρι τέρμα.
3. Σφίξτε καλά τη ρυθμιστική βίδα στη θέση όπου σταματάει να ολισθαίνει.

ΠΑΡΑΤΗΡΗΣΗ: Η γραμμή λέιζερ ρυθμίζεται εργασιακά ώστε να τοποθετείται εντός 1 mm από την πλαϊνή επιφάνεια της λάμας (θέση κοπής).

ΠΑΡΑΤΗΡΗΣΗ: Όταν η γραμμή λέιζερ δεν είναι φωτεινή και δεν φαίνεται εύκολα λόγω άμεσου ηλιακού φωτός, αλλάξτε την περιοχή εργασίας σε ένα χώρο όπου υπάρχει λιγότερη άμεσο ηλιακό φως.

Ευθυγράμμιση της γραμμής λέιζερ

Ευθυγραμμίστε τη γραμμή κοπής στο τεμάχιο εργασίας σας με τη γραμμή λέιζερ.

► **Εικ.27**

A) Όταν θέλετε να έχετε το σωστό μέγεθος στην αριστερή πλευρά του τεμαχίου εργασίας, μετατοπίστε τη γραμμή λέιζερ στα αριστερά της λάμας.

B) Όταν θέλετε να έχετε το σωστό μέγεθος στη δεξιά πλευρά του τεμαχίου εργασίας, μετατοπίστε τη γραμμή λέιζερ στα δεξιά της λάμας.

ΠΑΡΑΤΗΡΗΣΗ: Χρησιμοποιήστε την πρόσοψη ξύλου επάνω στο φράχτη οδηγού όταν ευθυγραμμίζετε τη γραμμή κοπής με τη γραμμή λέιζερ στο πλάι του φράχτη οδηγού στη σύνθετη κοπή (κωνική γωνία 45° και λοξή γωνία δεξιά 45°).

ΣΥΝΑΡΜΟΛΟΓΗΣΗ

▲ ΠΡΟΕΙΔΟΠΟΙΗΣΗ: Να βεβαιώνεστε πάντα ότι το εργαλείο είναι σβηστό και αποσυνδεδεμένο από την πρίζα πριν εκτελέσετε οποιαδήποτε εργασία στο εργαλείο. Αν δεν σβήσετε το εργαλείο και δεν τον αποσυνδέσετε από την πρίζα μπορεί να καταλήξει σε σοβαρό τραυματισμό.

Φύλαξη εξαγωνικού κλειδιού

Όταν δεν χρησιμοποιείτε το εξαγωνικό κλειδί, αποθηκεύστε το όπως απεικονίζεται, για να μην το χάσετε.

► **Εικ.28:** 1. Εξαγωνικό κλειδί

Αφαίρεση ή τοποθέτηση λάμας πριονιού

▲ ΠΡΟΕΙΔΟΠΟΙΗΣΗ: Να βεβαιώνεστε πάντα ότι το εργαλείο είναι σβηστό και αποσυνδεδεμένο από την ηλεκτρική παροχή πριν τοποθετήσετε ή αφαιρέσετε τη λάμα. Η τυχαία εκκίνηση του εργαλείου μπορεί να καταλήξει σε σοβαρό τραυματισμό.

▲ ΠΡΟΕΙΔΟΠΟΙΗΣΗ: Να χρησιμοποιείτε μόνο το παρεχόμενο κλειδί Makita για να τοποθετήσετε ή να αφαιρέσετε τη λάμα. Η μη χρήση του κλειδιού μπορεί να καταλήξει σε υπερβολικό σφίξιμο ή ανεπαρκές σφίξιμο του μπουλονιού εξαγωνικού κοιλώματος και σοβαρό τραυματισμό.

Να ασφαρίζετε πάντα την κινητή βάση με ανυψωμένη θέση όταν αφαιρείτε ή τοποθετείτε τη λάμα. Τραβήξτε τον ανασταλτικό πείρο και περιστρέψτε τον κατά 90° με την κινητή βάση ανυψωμένη.

► **Εικ.29:** 1. Ξεκλειδωτή θέση 2. Κλειδωμένη θέση 3. Ανασταλτικός πείρος

Αφαίρεση της λάμας

Χαλαρώστε το μπουλόνι εξαγωνικού κοιλώματος που συγκρατεί το κάλυμμα κέντρου χρησιμοποιώντας το εξαγωνικό κλειδί. Σηκώστε τον προφυλακτήρα λάμας και το κάλυμμα κέντρου.

► **Εικ.30:** 1. Κάλυμμα κέντρου 2. Εξαγωνικό κλειδί 3. Προφυλακτήρας λάμας

Πατήστε την ασφάλιση άξονα για να κλειδώσετε τον αξονίσκο και χρησιμοποιήστε το εξαγωνικό κλειδί για να χαλαρώσετε το μπουλόνι εξαγωνικού κοιλώματος. Μετά, αφαιρέστε το μπουλόνι εξαγωνικού κοιλώματος, την εξωτερική φλάντζα και τη λάμα.

► **Εικ.31:** 1. Ασφάλιση άξονα 2. Εξαγωνικό κλειδί 3. Μπουλόνι εξαγωνικού κοιλώματος (αριστερόστροφο σπείρωμα) 4. Εσοφίξτε 5. Σφίξτε

Τοποθέτηση λάμας

Στερεώστε τη λάμα προσεκτικά επάνω στον αξονίσκο, φροντίζοντας η κατεύθυνση του βέλους στην επιφάνεια της λάμας να ταιριάζει με την κατεύθυνση του βέλους στη θήκη λάμας.

► **Εικ.32:** 1. Βέλος στη θήκη λάμας 2. Βέλος στη λάμα

Τοποθετήστε την εξωτερική φλάντζα και το μπουλόνι εξαγωνικού κοιλώματος. Σφίξτε το μπουλόνι εξαγωνικού κοιλώματος αριστερόστροφα χρησιμοποιώντας εξαγωνικό κλειδί, ενώ πιέζετε την ασφάλιση άξονα.

► **Εικ.33:** 1. Μπουλόνι εξαγωνικού κοιλώματος 2. Εξωτερική φλάντζα 3. Λάμα πριονιού 4. Εσωτερική φλάντζα 5. Αξονίσκος 6. Δακτύλιος

ΕΙΔΟΠΟΙΗΣΗ: Αν αφαιρεθεί η εσωτερική φλάντζα, βεβαιωθείτε να την εγκαταστήσετε τον αξονίσκο με την προεξοχή στραμμένη μακριά από τη λάμα. Σε περίπτωση εσφαλμένης τοποθέτησης της φλάντζας, αυτή θα τρίβεται πάνω στο μηχάνημα.

Επαναφέρετε τον προφυλακτήρα λάμας και κάλυμμα κέντρου στην αρχική τους θέση. Μετά, σφίξτε το μπουλόνι εξαγωνικού κοιλώματος δεξιόστροφα για να ασφαλίσετε το κάλυμμα κέντρου. Απασφαλίστε τον ανασταλτικό πείρο και αποδεσμεύστε την κινητή βάση από την ανυψωμένη θέση. Χαμηλώστε τη λαβή να βεβαιωθείτε ότι ο προφυλακτήρας λάμας κινείται κατάλληλα. Βεβαιωθείτε ότι η ασφάλιση άξονα έχει ελευθερώσει τον αξονίσκο πριν κάνετε τη κοπή.

▲ ΠΡΟΕΙΔΟΠΟΙΗΣΗ: Πριν στερεώσετε τη λάμα στον αξονίσκο, να βεβαιώνεστε πάντα ότι έχει τοποθετηθεί ο σωστός δακτύλιος για την οπή ατράκτου της λάμας που σκοπεύετε να χρησιμοποιήσετε, μεταξύ της εσωτερικής και εξωτερικής φλάντζας. Η χρήση εσφαλμένου δακτυλίου για την οπή ατράκτου μπορεί να καταλήξει σε εσφαλμένη στερέωση της λάμας προκαλώντας κίνηση της λάμας και σοβαρό κραδασμό με αποτέλεσμα πιθανή απώλεια ελέγχου κατά τη διάρκεια της λειτουργίας και σοβαρό προσωπικό τραυματισμό.

Σύνδεση με ηλεκτρική σκούπα

Όταν θέλετε να εκτελέσετε την εργασία κοπής καθαρά, συνδέστε μια ηλεκτρική σκούπα της Makita στο ακροφύσιο σκόνης χρησιμοποιώντας μπροστινά στόμια 24 (προαιρετικό εξάρτημα).

► **Εικ.34:** 1. Μπροστινά στόμια 24 2. Εύκαμπτος σωλήνας 3. Ηλεκτρική σκούπα

Σάκος σκόνης

Η χρήση του σάκου σκόνης καθιστά καθαρές τις λειτουργίες κοπής και εύκολη τη συλλογή της σκόνης. Για να συνδέσετε το σάκο σκόνης, αφαιρέστε τον εύκαμπτο σωλήνα εξαγωγής σκόνης στο εργαλείο και συνδέστε το σάκο σκόνης.

► **Εικ.35:** 1. Εύκαμπτος σωλήνας εξαγωγής σκόνης 2. Σάκος σκόνης

Όταν ο σάκος σκόνης είναι περίπου μισογεμάτος, αφαιρέστε τον από το εργαλείο και τραβήξτε τον προσδετήρα έξω. Αδειάστε τον σάκο σκόνης από τα περιεχόμενά του, χτυπήστε τον ελαφρά έτσι ώστε να αφαιρεθούν τα σωματίδια που είναι κολλημένα από μέσα και μπορεί να εμποδίζουν την περαιτέρω συλλογή.

► **Εικ.36:** 1. Προσδετήρας

Ασφάλιση του τεμαχίου εργασίας

▲ ΠΡΟΕΙΔΟΠΟΙΗΣΗ: Είναι εξαιρετικά σημαντικό να ασφαλίσετε πάντα το τεμάχιο εργασίας σωστά με μέγερνη κατάλληλου τύπου ή με αναστολέας ανάγλυφης μόρφωσης στήψης. Η μη συμμόρφωση μπορεί να καταλήξει σε σοβαρό τραυματισμό και να προκαλέσει ζημία στο εργαλείο ή/και στο τεμάχιο εργασίας.

▲ ΠΡΟΕΙΔΟΠΟΙΗΣΗ: Μετά το πέρας της εργασίας κοπής, μην ανυψώσετε τη λάμα αν δεν έχει ακινητοποιηθεί πλήρως. Η ανύψωση μιας λάμας που συνεχίζει να περιστρέφεται εξ αδρανείας μπορεί να καταλήξει σε σοβαρό τραυματισμό και στην πρόκληση ζημίας στο τεμάχιο εργασίας.

▲ ΠΡΟΕΙΔΟΠΟΙΗΣΗ: Κατά την κοπή τεμαχίου εργασίας με μήκος μεγαλύτερο από εκείνο της βάσης στήριξης του πριονιού, το υλικό θα πρέπει να στηρίζεται σε ολόκληρο το μήκος του πέραν της βάσης στήριξης και στο ίδιο ύψος ώστε το υλικό να παραμένει σε οριζόντια θέση. Η κατάλληλη στήριξη του τεμαχίου εργασίας θα διευκολύνει ώστε να αποτραπεί η σύσφιξη της λάμας και το ενδεχόμενο κλότσημα που μπορεί να καταλήξει σε πρόκληση σοβαρού τραυματισμού. Μη βασίζεστε αποκλειστικά στην κάθετη ή/και οριζόντια μέγερνη για να ασφαλίσετε το τεμάχιο εργασίας. Τα λεπτά υλικά έχουν την τάση να λυγίζουν. Υποστηρίξτε το τεμάχιο εργασίας καθ' όλο το μήκος του για να αποφύγετε τσίμπημα της λάμας και πιθανό ΚΛΟΤΣΗΜΑ.

► **Εικ.37:** 1. Υποστήριξη 2. Περιστροφική βάση

Φράχτες οδηγού

▲ ΠΡΟΕΙΔΟΠΟΙΗΣΗ: Πριν θέσετε το εργαλείο σε λειτουργία, βεβαιωθείτε ότι ο άνω φράχτης είναι ασφαλισμένος σταθερά.

▲ ΠΡΟΕΙΔΟΠΟΙΗΣΗ: Πριν την κωνική κοπή, βεβαιωθείτε ότι κανένα μέρος του εργαλείου, ειδικά η λάμα, δεν έρχεται σε επαφή με τον άνω και κάτω φράχτη όταν χαμηλώνετε και ανυψώνετε εντελώς τη λαβή σε οποιαδήποτε θέση καθώς και όταν μετακινείτε την κινητή βάση σε ολόκληρη τη διαδρομή κίνησής της. Αν το εργαλείο ή η λάμα έρθει σε επαφή με το φράχτη, μπορεί να προκληθεί κλότσημα ή απρόσμενη κίνηση του υλικού και σοβαρός προσωπικός τραυματισμός.

Χρησιμοποιήστε άνω φράχτες για να στηρίζετε το υλικό υψηλότερα από τους κάτω φράχτες. Εισαγάγετε τον άνω φράχτη μέσα στην οπή στον κάτω φράχτη και σφίξτε τη βίδα συγκράτησης.

► **Εικ.38:** 1. Άνω φράχτης 2. Κάτω φράχτης 3. Βίδα συγκράτησης 4. Ρυθμιστική βίδα

ΕΙΔΟΠΟΙΗΣΗ: Οι κάτω φράχτες είναι στερεωμένοι στη βάση από το εργοστάσιο. Μην αφαιρέσετε τους κάτω φράχτες.

ΕΙΔΟΠΟΙΗΣΗ: Αν ο άνω φράχτης είναι ακόμη χαλαρός μετά το σφίξιμο της βίδας συγκράτησης, περιστρέψτε τη ρυθμιστική βίδα για να κλείσετε ένα κενό. Η ρυθμιστική βίδα είναι εργοστασιακά ρυθμισμένη. Δεν χρειάζεται να τη χρησιμοποιήσετε αν δεν απαιτείται.

Να φυλάσσετε τους άνω φράχτες στο συγκρατητή όταν δεν τους χρησιμοποιείτε. Χρησιμοποιήστε το κλιπ στον άνω φράχτη για να τον συγκρατήσετε στο συγκρατητή.

► **Εικ.39:** 1. Συγκρατητής 2. Άνω φράχτης 3. Κλιπ

Κάθετη μέγερνη

▲ ΠΡΟΕΙΔΟΠΟΙΗΣΗ: Το τεμάχιο εργασίας πρέπει να ασφαρίζεται σταθερά στην περιστροφική βάση και στο φράχτη οδηγό με την μέγερνη κατά τη διάρκεια όλων των εργασιών. Αν το τεμάχιο εργασίας δεν είναι σωστά ασφαλισμένο επάνω στο φράχτη, το υλικό μπορεί να μετακινηθεί κατά τη διάρκεια της εργασίας κοπής προκαλώντας πιθανή ζημιά στη λάμα, εκτόξευση του υλικού και απώλεια ελέγχου, γεγονός που μπορεί να έχει ως αποτέλεσμα σοβαρό προσωπικό τραυματισμό.

► **Εικ.40:** 1. Βραχίονας μέγερνης 2. Ράβδος μέγερνης 3. Βίδα συγκράτησης 4. Κουμπί μέγερνης

Η κάθετη μέγερνη μπορεί να τοποθετηθεί σε δύο θέσεις, είτε στην αριστερή είτε στη δεξιά πλευρά της βάσης. Εισαγάγετε τη ράβδο μέγερνης στην οπή στη βάση. Τοποθετήστε τον βραχίονα μέγερνης ανάλογα με το πάχος και το σχήμα του τεμαχίου εργασίας και ασφαλίστε τον βραχίονα μέγερνης σφίγγοντας τη βίδα. Αν η άνω βίδα συγκράτησης αγγίζει την κινητή βάση, εγκαταστήστε την στην απέναντι πλευρά του βραχίονα μέγερνης. Βεβαιωθείτε ότι κανένα μέρος του εργαλείου δεν έχει έρθει σε επαφή με τη μέγερνη όταν χαμηλώνετε εντελώς τη λαβή. Αν κάποιο μέρος έχει έρθει σε επαφή, επανατοποθετήστε την μέγερνη. Πιέστε το τεμάχιο εργασίας επίπεδα επί του φράχτη οδηγού και της περιστροφικής βάσης. Τοποθετήστε το τεμάχιο εργασίας στην επιθυμητή θέση κοπής και ασφαλίστε το σταθερά σφίγγοντας το κουμπί της μέγερνης.

ΠΑΡΑΤΗΡΗΣΗ: Για μια γρήγορη ρύθμιση του τεμαχίου εργασίας, αν γυρίσετε το κουμπί μέγερνης κατά 90° αριστερόστροφα, το κουμπί μέγερνης μπορεί να μετακινηθεί πάνω και κάτω. Για να ασφαλίσετε το τεμάχιο εργασίας μετά τη ρύθμιση, γυρίστε το κουμπί μέγερνης δεξιόστροφα.

Οριζόντια μέγγενη

Προαιρετικό εξάρτημα

▲ ΠΡΟΕΙΔΟΠΟΙΗΣΗ: Να περιστρέψετε πάντα το παξιμάδι μέγγενης δεξιόστροφα μέχρι το τεμάχιο εργασίας να είναι κατάλληλα ασφαλισμένο. Αν το τεμάχιο εργασίας δεν είναι σωστά ασφαλισμένο, το υλικό μπορεί να μετακινηθεί κατά τη διάρκεια της εργασίας κοπής προκαλώντας πιθανή ζημιά στη λάμα, εκτόξευση του υλικού και απώλεια ελέγχου, γεγονός που μπορεί να έχει ως αποτέλεσμα σοβαρό προσωπικό τραυματισμό.

▲ ΠΡΟΕΙΔΟΠΟΙΗΣΗ: Όταν εκτελείτε κοπή σε ένα λεπτό τεμάχιο εργασίας, όπως σοβατεπί, επάνω στο φράχτη, να χρησιμοποιείτε την οριζόντια μέγγενη.

Η οριζόντια μέγγενη μπορεί να τοποθετηθεί σε δύο θέσεις, είτε στην αριστερή είτε στη δεξιά πλευρά της βάσης. Όταν εκτελείτε λοξές κοπές 22,5° ή μεγαλύτερες, τοποθετήστε την οριζόντια μέγγενη στην πλευρά αντίθετα από την κατεύθυνση που πρόκειται να περιστραφεί η περιστροφική βάση.

► **Εικ.41:** 1. Πλάκα μέγγενης 2. Παξιμάδι μέγγενης 3. Κουμπί μέγγενης

Αν αναστρέψετε το παξιμάδι μέγγενης αριστερόστροφα, η μέγγενη απελευθερώνεται και μετακινείται γρήγορα προς τα μέσα και έξω. Για να συγκρατήσετε το τεμάχιο εργασίας, σπρώξτε το κουμπί μέγγενης προς τα εμπρός μέχρι η πλάκα μέγγενης να έρθει σε επαφή με το τεμάχιο εργασίας και μετά αναστρέψτε το παξιμάδι μέγγενης δεξιόστροφα. Μετά, περιστρέψτε το κουμπί μέγγενης δεξιόστροφα για να ασφαλίσετε το τεμάχιο εργασίας.

ΠΑΡΑΤΗΡΗΣΗ: Το μέγιστο πλάτος του τεμαχίου εργασίας που μπορεί να ασφαλιστεί από την οριζόντια μέγγενη είναι 228 mm.

Συγκρατητές

▲ ΠΡΟΕΙΔΟΠΟΙΗΣΗ: Να φροντίζετε πάντα για τη στήριξη ενός τεμαχίου εργασίας μεγάλου μήκους, ώστε να παραμένει σε οριζόντια θέση στην άνω επιφάνεια της περιστροφικής βάσης για να επιτυγχάνεται κοπή με ακρίβεια και να αποτρέπεται επικίνδυνη απώλεια ελέγχου του εργαλείου. Η κατάλληλη στήριξη του τεμαχίου εργασίας θα διευκολύνει ώστε να αποτραπεί η σύσφιξη της λάμας και το ενδεχόμενο κλότσημα που μπορεί να καταλήξει σε πρόκληση σοβαρού τραυματισμού.

Για να κρατάτε μακριά τεμάχια εργασίας οριζόντια, παρέχονται συγκρατητές και στις δύο πλευρές του εργαλείου. Χαλαρώστε τις βίδες και επεκτείνετε τους συγκρατητές στο κατάλληλο μήκος για τη συγκράτηση του τεμαχίου εργασίας. Μετά, σφίξτε τις βίδες.

► **Εικ.42:** 1. Συγκρατητής 2. Βίδα

ΛΕΙΤΟΥΡΓΙΑ

▲ ΠΡΟΕΙΔΟΠΟΙΗΣΗ: Βεβαιωθείτε ότι η λάμα δεν έχει έρθει σε επαφή με το τεμάχιο εργασίας, κτλ., πριν ενεργοποιήσετε το εργαλείο. Η ενεργοποίηση του εργαλείου όταν η λάμα είναι σε επαφή με το τεμάχιο εργασίας μπορεί να καταλήξει σε κλότσημα και την πρόκληση σοβαρού τραυματισμού.

▲ ΠΡΟΕΙΔΟΠΟΙΗΣΗ: Μετά το πέρας της λειτουργίας κοπής, μην ανυψώσετε τη λάμα εάν δεν έχει ακινητοποιηθεί πλήρως. Η ανύψωση μιας λάμας που συνεχίζει να περιστρέφεται εξ αδρανείας μπορεί να καταλήξει σε σοβαρό τραυματισμό και στην πρόκληση ζημίας στο τεμάχιο εργασίας.

▲ ΠΡΟΕΙΔΟΠΟΙΗΣΗ: Μην εκτελείτε καμία ρύθμιση, όπως περιστροφή της λαβής, του κουμπιού και των μοχλών, στο εργαλείο ενώ περιστρέφεται η λάμα. Οποιαδήποτε ρύθμιση ενώ περιστρέφεται η λάμα μπορεί να έχει ως αποτέλεσμα σοβαρό προσωπικό τραυματισμό.

ΕΙΔΟΠΟΙΗΣΗ: Πριν τη χρήση, βεβαιωθείτε να απασφαλίσετε τον ανασταλτικό πείρο και να απελευθερώσετε τη λαβή από την κάτω θέση.

ΕΙΔΟΠΟΙΗΣΗ: Μην εφαρμόζετε υπερβολική πίεση στη λαβή όταν κόβετε. Η υπερβολική δύναμη μπορεί να έχει ως αποτέλεσμα υπερφόρτωση του κινητήρα ή/και μειωμένη επάρκεια κοπής. Πιέστε τη λαβή μόνο με όση δύναμη είναι απαραίτητη για απαλή κοπή και χωρίς σημαντική μείωση στην ταχύτητα της λάμας.

ΕΙΔΟΠΟΙΗΣΗ: Πιέστε προς τα κάτω απαλά τη λαβή για να πραγματοποιήσετε την κοπή. Εάν η λαβή πιεστεί κάτω με δύναμη ή εάν εφαρμοστεί πλευρική δύναμη, η λάμα θα δονείται και θα αφήσει κάποιο σημάδι (σημάδι πριονιού) στο τεμάχιο εργασίας και η ακρίβεια της κοπής θα ελαττωθεί.

ΕΙΔΟΠΟΙΗΣΗ: Κατά τη διάρκεια ολισθητικής κοπής, σπρώξτε απαλά την κινητή βάση προς το φράχτη οδηγώ χωρίς να σταματήσετε. Αν η κίνηση της κινητής βάσης διακοπεί κατά την κοπή, ένα σημάδι θα μείνει στο τεμάχιο εργασίας και η ακρίβεια της κοπής θα ελαττωθεί.

Κοπή πίεσης

▲ ΠΡΟΕΙΔΟΠΟΙΗΣΗ: Να ασφαρίζετε πάντα την ολισθαίνουσα κίνηση της κινητής βάσης όταν εκτελείτε κοπή πίεσης. Αν πραγματοποιήσετε κοπή χωρίς ασφάλιση, μπορεί να προκληθεί πιθανό κλότσημα με αποτέλεσμα σοβαρό προσωπικό τραυματισμό.

Τεμάχια εργασίας μέχρι ύψος 68 mm και πλάτος 160 mm μπορούν να κοπούν με τον ακόλουθο τρόπο.

► **Εικ.43:** 1. Ανασταλτικός πείρος

1. Σπρώξτε την κινητή βάση προς τον φράχτη οδηγώ μέχρι να σταματήσει και ασφαλίστε την με τον ανασταλτικό πείρο.

2. Ασφαλίστε το τεμάχιο εργασίας με μέγγενη κατάλληλου τύπου.

3. Ανάψτε το εργαλείο χωρίς η λάμα να κάνει καμιά επαφή και περιμένετε μέχρι η λάμα να αποκτήσει πλήρη ταχύτητα πριν τη χαμηλώσετε.
4. Χαμηλώστε απαλά τη λαβή στην κατώτερη δυνατή θέση για να κόψετε το τεμάχιο εργασίας.
5. Όταν ολοκληρωθεί η κοπή, σβήστε το εργαλείο και περιμένετε μέχρι η λάμα να έχει ακινητοποιηθεί τελείως πριν επιστρέψετε τη λάμα στην πλήρως αυξημένη θέση της.

Κοπή ολίσθησης (ώθησης) (κοπή τεμαχίων εργασίας μεγάλου πλάτους)

ΠΡΟΕΙΔΟΠΟΙΗΣΗ: Κάθε φορά που εκτελείτε ολισθητική κοπή, τραβήξτε πρώτα την κινητή βάση προς το μέρος σας και πιέστε τη λαβή πλήρως προς τα κάτω, στη συνέχεια ωθήστε την κινητή βάση προς το φράχτη οδηγό. Μην αρχίζετε ποτέ την κοπή, εάν δεν έχετε τραβήξει πλήρως την κινητή βάση προς το μέρος σας. Εάν εκτελέσετε την ολισθητική κοπή χωρίς να έχετε τραβήξει την κινητή βάση πλήρως προς το μέρος σας, μπορεί να προκληθεί μη αναμενόμενο κλότσημα και κατά συνέπεια σοβαρός τραυματισμός.

ΠΡΟΕΙΔΟΠΟΙΗΣΗ: Μην επιχειρήσετε ποτέ να εκτελέσετε ολισθητική κοπή τραβώντας την κινητή βάση προς το μέρος σας. Εάν τραβήξετε την κινητή βάση προς το μέρος σας στη διάρκεια της κοπής, μπορεί να προκληθεί μη αναμενόμενο κλότσημα με αποτέλεσμα σοβαρό τραυματισμό.

ΠΡΟΕΙΔΟΠΟΙΗΣΗ: Ποτέ μην εκτελείτε την ολισθητική κοπή με τη λαβή κλειδωμένη στη χαμηλωμένη θέση.

► **Εικ.44:** 1. Ανασταλτικός πείρος

1. Απασφαλίστε τον ανασταλτικό πείρο για να ολισθαίνει ελεύθερα η κινητή βάση.
2. Ασφαλίστε το τεμάχιο εργασίας με μέγγενη κατάλληλου τύπου.
3. Τραβήξτε την κινητή βάση προς το μέρος σας πλήρως.
4. Ανάψτε το εργαλείο χωρίς η λάμα να κάνει καμιά επαφή και περιμένετε μέχρι η λάμα να αποκτήσει πλήρη ταχύτητα.
5. Πατήστε προς τα κάτω τη λαβή και **τραβήξτε την κινητή βάση προς το φράχτη οδηγό και μέσα από το τεμάχιο εργασίας.**
6. Όταν ολοκληρωθεί η κοπή, σβήστε το εργαλείο και περιμένετε μέχρι η λάμα να έχει ακινητοποιηθεί τελείως πριν επιστρέψετε τη λάμα στην πλήρως αυξημένη θέση της.

Λοξή κοπή

Ανατρέξτε στην προηγούμενη ενότητα «Ρύθμιση της λοξής γωνίας».

Κωνική κοπή

ΠΡΟΕΙΔΟΠΟΙΗΣΗ: Μόλις ρυθμίσετε τη λάμα για κωνική κοπή, βεβαιωθείτε ότι η κινητή βάση και η λάμα μπορούν να κινηθούν ελεύθερα σε ολόκληρο το εύρος της προοριζόμενης κοπής πριν θέσετε το εργαλείο σε λειτουργία. Τυχόν παρεμπόδιση της διαδρομής της κινητής βάσης ή της λάμας κατά την εργασία κοπής μπορεί να καταλήξει σε κλότσημα και σοβαρό τραυματισμό.

ΠΡΟΕΙΔΟΠΟΙΗΣΗ: Όταν εκτελείτε κωνική κοπή, φροντίστε ώστε να χέρια σας να μην βρίσκονται στη διαδρομή της λάμας. Η γωνία της λάμας μπορεί να προκαλέσει αβεβαιότητα στο χειριστή όσον αφορά την πραγματική διαδρομή της λάμας κατά την κοπή και οποιαδήποτε επαφή με τη λάμα θα προκαλέσει σοβαρό τραυματισμό.

ΠΡΟΕΙΔΟΠΟΙΗΣΗ: Απαγορεύεται η ανύψωση της λάμας, εάν δεν ακινητοποιηθεί πρώτα η λάμα. Κατά την εκτέλεση κωνικής κοπής, το τεμάχιο που αποκόπεται μπορεί να έρθει σε επαφή με τη λάμα. Εάν η λάμα ανυψωθεί ενώ ακόμη περιστρέφεται, το τεμάχιο που έχει αποκοπεί μπορεί να εκτιναχθεί κατά την επαφή με τη λάμα προκαλώντας διάλυση του τεμαχίου σε θραύσματα τα οποία μπορεί να προκαλέσουν σοβαρό τραυματισμό.

ΕΙΔΟΠΟΙΗΣΗ: Όταν πατάτε κάτω τη λαβή, εφαρμόστε πίεση παράλληλα της λάμας. Εάν μια δύναμη εφαρμοστεί κάθετα στην περιστροφική βάση ή εάν η διεύθυνση της πίεσης αλλάξει κατά τη διάρκεια της κοπής, η ακρίβεια της κοπής θα ελαττωθεί.

► **Εικ.45**

1. Αφαιρέστε τον άνω φράχτη στην πλευρά που πρόκειται να γείρετε την κινητή βάση.
2. Απασφαλίστε τον ανασταλτικό πείρο.
3. Ρυθμίστε την κωνική γωνία σύμφωνα με τη διαδικασία που περιγράφεται στην ενότητα «Ρύθμιση της κωνικής γωνίας». Μετά, σφίξτε το κουμπί.
4. Ασφαλίστε το τεμάχιο εργασίας με μια μέγγενη.
5. Τραβήξτε την κινητή βάση πλήρως προς το μέρος σας.
6. Ανάψτε το εργαλείο χωρίς η λάμα να κάνει καμιά επαφή και περιμένετε μέχρι η λάμα να αποκτήσει πλήρη ταχύτητα.
7. Χαμηλώστε αργά τη λαβή μέχρι την πλήρως χαμηλωμένη θέση ενώ ασκείτε πίεση παράλληλα με τη λάμα και **σπρώξτε την κινητή βάση προς το φράχτη οδηγό για να κόψετε το τεμάχιο εργασίας.**
8. Όταν ολοκληρωθεί η κοπή, σβήστε το εργαλείο και περιμένετε μέχρι η λάμα να έχει ακινητοποιηθεί τελείως πριν επιστρέψετε τη λάμα στην πλήρως αυξημένη θέση της.

Σύνθετη κοπή

Η σύνθετη κοπή είναι η διαδικασία κατά την οποία μια κωνική γωνία γίνεται την ίδια στιγμή που μια λοξή γωνία κόβεται σε ένα τεμάχιο εργασίας. Η σύνθετη κοπή μπορεί να εκτελεστεί στη γωνία που φαίνεται στον πίνακα.

| Λοξή γωνία | Κωνική γωνία |
|-----------------------------|-----------------------------|
| Αριστερά και δεξιά 0° - 45° | Αριστερά και δεξιά 0° - 45° |

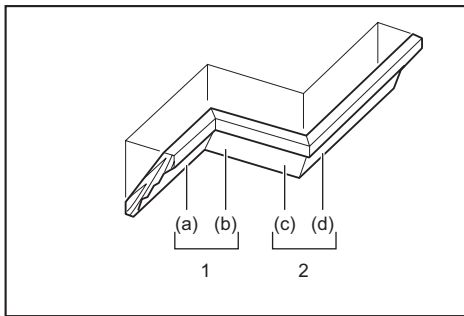
Όταν εκτελείτε σύνθετη κοπή, ανατρέξτε στις εξηγήσεις «Κοπή πίεσης», «Κοπή ολίσθησης (ώθησης)», «Λοξή κοπή» και «Κωνική κοπή».

Κοπή ανάγλυφων μορφώσεων στέψης και μορφώσεων κοιλωτής μαρκίζας

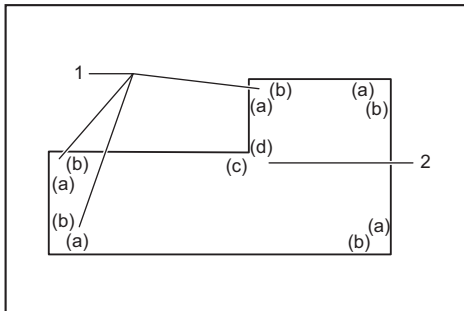
Η κοπή ανάγλυφων μορφώσεων στέψης και μορφώσεων κοιλωτής μαρκίζας είναι εφικτή με πριόνι σύνθετης λοξότμησης με τις μορφώσεις τοποθετημένες σε επίπεδη θέση πάνω στην περιστροφική βάση. Υπάρχουν δύο συνήθεις τύποι ανάγλυφων μορφώσεων στέψης και ένας τύπος μόρφωσης κοιλωτής μαρκίζας, μόρφωση στέψης υπό γωνία 52/38° προς τον τοίχο, μόρφωση στέψης υπό γωνία 45° προς τον τοίχο και μόρφωση κοιλωτής μαρκίζας υπό γωνία 45° προς τον τοίχο.

► **Εικ.46:** 1. Ανάγλυφη μόρφωση στέψης υπό γωνία 52/38° 2. Ανάγλυφη μόρφωση στέψης υπό γωνία 45° 3. Μόρφωση κοιλωτής μαρκίζας υπό γωνία 45°

Υπάρχουν ενώσεις μορφώσεων στέψης και κοιλωτής μαρκίζας που προορίζονται για τοποθέτηση σε «Εσωτερικές» γωνίες τοίχου 90° ((a) και (b) στην εικόνα) και σε «Εξωτερικές» γωνίες τοίχου 90° ((c) και (d) στην εικόνα).



1. Εσωτερική γωνία τοίχου 2. Εξωτερική γωνία τοίχου



1. Εσωτερική γωνία τοίχου 2. Εξωτερική γωνία τοίχου

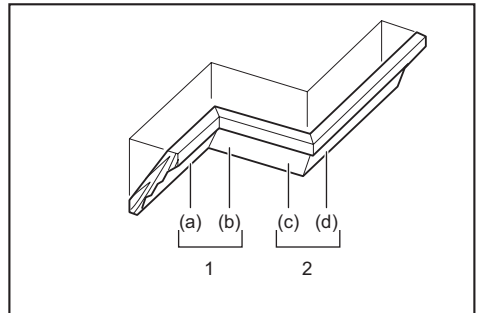
Μέτρηση

Μετρήστε το πλάτος τοιχώματος και ρυθμίστε το πλάτος του τεμαχίου εργασίας ανάλογα με αυτό. Να βεβαιώνετε πάντα ότι το πλάτος του άκρου επαφής τοιχώματος του τεμαχίου εργασίας είναι το ίδιο με το μήκος του τοιχώματος.

► **Εικ.47:** 1. Τεμάχιο εργασίας 2. Πλάτος τοιχώματος 3. Πλάτος του τεμαχίου εργασίας 4. Άκρο επαφής τοιχώματος

Να χρησιμοποιείτε πάντα αρκετά τεμάχια δοκιμής της κοπής, ώστε να ελέγχετε τις γωνίες του πριονιού. Κατά την εκτέλεση εργασιών κοπής ανάγλυφων μορφώσεων στέψης και μορφώσεων κοιλωτής μαρκίζας, καθορίστε την κωνική γωνία και τη λοξή γωνία όπως υποδεικνύεται στον πίνακα (A) και τοποθετήστε τις μορφώσεις στην πάνω επιφάνεια της βάσης της λάμας πριονιού όπως υποδεικνύεται στον πίνακα (B).

Στην περίπτωση αριστερής κωνικής κοπής



1. Εσωτερική γωνία 2. Εξωτερική γωνία

Πίνακας (A)

| - | Θέση μόρφωσης στην εικόνα | Κωνική γωνία | | Λοξή γωνία | |
|---------------------|---------------------------|----------------|--------------|----------------|----------------|
| | | Τύπος 52/38° | Τύπος 45° | Τύπος 52/38° | Τύπος 45° |
| Για εσωτερική γωνία | (a) | Αριστερά 33,9° | Αριστερά 30° | Δεξιά 31,6° | Δεξιά 35,3° |
| | (b) | | | Αριστερά 31,6° | Αριστερά 35,3° |
| Για εξωτερική γωνία | (c) | | | Δεξιά 31,6° | Δεξιά 35,3° |
| | (d) | | | Δεξιά 31,6° | Δεξιά 35,3° |

Πίνακας (B)

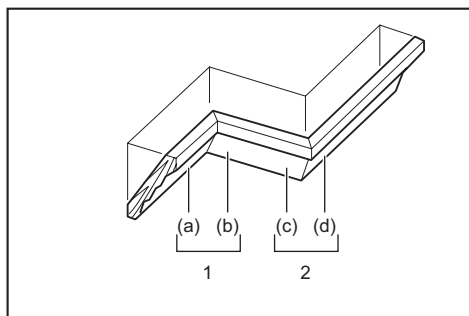
| – | Θέση μόρφωσης στην εικόνα | Το άκρο μόρφωσης εφάπτεται στο φράχτη οδηγό | Ολοκληρωμένο τεμάχιο |
|---------------------|---------------------------|--|--|
| Για εσωτερική γωνία | (a) | Το άκρο επαφής στο ταβάνι θα πρέπει να εφάπτεται στο φράχτη οδηγό. | Το ολοκληρωμένο τεμάχιο θα βρίσκεται στην αριστερή πλευρά της λάμας. |
| | (b) | Το άκρο επαφής στον τοίχο θα πρέπει να εφάπτεται στο φράχτη οδηγό. | |
| Για εξωτερική γωνία | (c) | Το άκρο επαφής στο ταβάνι θα πρέπει να εφάπτεται στο φράχτη οδηγό. | Το ολοκληρωμένο τεμάχιο θα βρίσκεται στη δεξιά πλευρά της λάμας. |
| | (d) | Το άκρο επαφής στο ταβάνι θα πρέπει να εφάπτεται στο φράχτη οδηγό. | |

Παράδειγμα:

Στην περίπτωση κοπής ανάγλυφης μόρφωσης στέψης τύπου 52/38° για τη θέση (a) στην ανωτέρω εικόνα:

- Δώστε κλίση και ασφαλίστε τη ρύθμιση της κωνικής γωνίας σε 33,9° ΑΡΙΣΤΕΡΑ.
- Ρυθμίστε και ασφαλίστε τη λοξή γωνία σε 31,6° ΔΕΞΙΑ.
- Τοποθετήστε την ανάγλυφη μόρφωση στέψης, ώστε η πλατιά πίσω επιφάνειά της (δεν φαίνεται) να εφάπτεται στην περιστροφική βάση και το ΑΚΡΟ ΕΠΑΦΗΣ ΣΤΟ ΤΑΒΑΝΙ να εφάπτεται στο φράχτη οδηγό του πριονιού.
- Το ολοκληρωμένο τεμάχιο προς χρήση θα βρίσκεται πάντα στην ΑΡΙΣΤΕΡΗ πλευρά της λάμας μετά το πέρας της κοπής.

Στην περίπτωση δεξιάς κωνικής κοπής



1. Εσωτερική γωνία 2. Εξωτερική γωνία

Πίνακας (A)

| – | Θέση μόρφωσης στην εικόνα | Κωνική γωνία | | Λοξή γωνία | |
|---------------------|---------------------------|--------------|-----------|----------------|----------------|
| | | Τύπος 52/38° | Τύπος 45° | Τύπος 52/38° | Τύπος 45° |
| Για εσωτερική γωνία | (a) | Δεξιά 33,9° | Δεξιά 30° | Δεξιά 31,6° | Δεξιά 35,3° |
| | (b) | | | Αριστερά 31,6° | Αριστερά 35,3° |
| Για εξωτερική γωνία | (c) | | | Δεξιά 31,6° | Δεξιά 35,3° |
| | (d) | | | | |

Πίνακας (B)

| – | Θέση μόρφωσης στην εικόνα | Το άκρο μόρφωσης εφάπτεται στο φράχτη οδηγό | Ολοκληρωμένο τεμάχιο |
|---------------------|---------------------------|--|--|
| Για εσωτερική γωνία | (a) | Το άκρο επαφής στον τοίχο θα πρέπει να εφάπτεται στο φράχτη οδηγό. | Το ολοκληρωμένο τεμάχιο θα βρίσκεται στη δεξιά πλευρά της λάμας. |
| | (b) | Το άκρο επαφής στο ταβάνι θα πρέπει να εφάπτεται στο φράχτη οδηγό. | |
| Για εξωτερική γωνία | (c) | Το άκρο επαφής στο ταβάνι θα πρέπει να εφάπτεται στο φράχτη οδηγό. | Το ολοκληρωμένο τεμάχιο θα βρίσκεται στην αριστερή πλευρά της λάμας. |
| | (d) | Το άκρο επαφής στον τοίχο θα πρέπει να εφάπτεται στο φράχτη οδηγό. | |

Παράδειγμα:

Στην περίπτωση κοπής ανάγλυφης μόρφωσης στέψης τύπου 52/38° για τη θέση (a) στην ανωτέρω εικόνα:

- Δώστε κλίση και ασφαλίστε τη ρύθμιση της κωνικής γωνίας σε 33,9° ΔΕΞΙΑ.
- Ρυθμίστε και ασφαλίστε τη λοξή γωνία σε 31,6° ΔΕΞΙΑ.
- Τοποθετήστε την ανάγλυφη μόρφωση στέψης, ώστε η πλατιά πίσω επιφάνειά της (δεν φαίνεται) να εφάπτεται στην περιστροφική βάση και το ΑΚΡΟ ΕΠΑΦΗΣ ΣΤΟ ΤΟΙΧΩΜΑ να εφάπτεται στο φράχτη οδηγό του πριονιού.
- Το ολοκληρωμένο τεμάχιο προς χρήση θα βρίσκεται πάντα στη ΔΕΞΙΑ πλευρά της λάμας μετά το πέρας της κοπής.

Αναστολέας ανάγλυφης μόρφωσης στέψης

Προαιρετικό εξάρτημα

Οι αναστολείς ανάγλυφης μόρφωσης στέψης επιτρέπουν πιο εύκολες κοπές των ανάγλυφων μόρφωσης στέψης χωρίς την κλίση της λάμας πριονιού. Τοποθετήστε τις στην περιστροφική βάση όπως απεικονίζεται στις εικόνες.

Σε δεξιά λοξή γωνία 45°

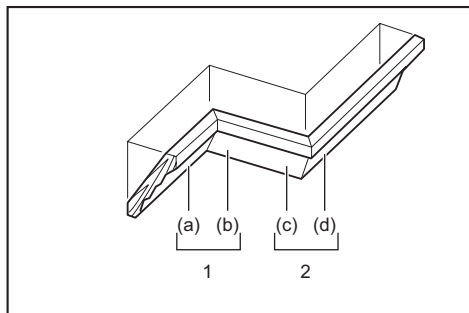
► **Εικ.48:** 1. Αριστερός αναστολέας ανάγλυφης μόρφωσης στέψης 2. Δεξιός αναστολέας ανάγλυφης μόρφωσης στέψης 3. Περιστροφική βάση 4. Φράχτης οδηγός

Σε αριστερή λοξή γωνία 45°

► **Εικ.49:** 1. Αριστερός αναστολέας ανάγλυφης μόρφωσης στέψης 2. Δεξιός αναστολέας ανάγλυφης μόρφωσης στέψης 3. Περιστροφική βάση 4. Φράχτης οδηγός

Τοποθετήστε την ανάγλυφη μόρφωση στέψης με το ΑΚΡΟ ΕΠΑΦΗΣ ΣΤΟ ΤΟΙΧΩΜΑ επάνω στο φράχτη οδηγό και το ΑΚΡΟ ΕΠΑΦΗΣ ΣΤΟ ΤΑΒΑΝΙ επάνω στους αναστολείς ανάγλυφης μόρφωσης στέψης όπως απεικονίζεται στην εικόνα. Ρυθμίστε τους αναστολείς ανάγλυφης μόρφωσης στέψης ανάλογα με το μέγεθος της ανάγλυφης μόρφωσης στέψης. Σφίξτε τις βίδες για να ασφαλίσετε τους αναστολείς ανάγλυφης μόρφωσης στέψης. Ανατρέξτε στον Πίνακα (C) για τη λοξή γωνία.

► **Εικ.50:** 1. Φράχτης οδηγός 2. Αναστολέας ανάγλυφης μόρφωσης στέψης



1. Εσωτερική γωνία 2. Εξωτερική γωνία τοίχου

Πίνακας (C)

| – | Θέση μόρφωσης στην εικόνα | Λοξή γωνία | Ολοκληρωμένο τεμάχιο |
|---------------------|---------------------------|--------------|---------------------------------------|
| Για εσωτερική γωνία | (a) | Δεξιά 45° | Φυλάξτε την πλευρά δεξιά της λάμας |
| | (b) | Αριστερά 45° | Φυλάξτε την πλευρά αριστερά της λάμας |
| Για εξωτερική γωνία | (c) | | Φυλάξτε την πλευρά δεξιά της λάμας |
| | (d) | Δεξιά 45° | Φυλάξτε την πλευρά αριστερά της λάμας |

Κοπή αλουμινένιας προεξοχής

► **Εικ.51:** 1. Μέγνη 2. Τάκος ρύθμισης απόστασης 3. Φράχτης οδηγός 4. Αλουμινένια προεξοχή 5. Τάκος ρύθμισης απόστασης

Όταν ασφαλίσετε τις αλουμινένιες προεξοχές, χρησιμοποιήστε τάκος ρύθμισης απόστασης ή παλιά κομμάτια ξύλου, όπως απεικονίζεται στην εικόνα, για να εμποδίσετε την παραμόρφωση του αλουμινίου. Να χρησιμοποιείτε ένα λιπαντικό κοπής κατά την κοπή της αλουμινένιας προεξοχής, ώστε να αποφευχθεί η συσσώρευση του αλουμινιού υλικού στη λάμα.

ΠΡΟΕΙΔΟΠΟΙΗΣΗ: Μην επιχειρήσετε ποτέ να κόψετε αλουμινένιες προεξοχές με μεγάλο πάχος ή στρογγυλής διατομής. Οι παχιές ή στρογγυλές αλουμινένιες προεξοχές μπορεί να είναι δύσκολες να απασιοτούν και το τεμάχιο εργασίας μπορεί να χαλαρώσει κατά τη διάρκεια της εργασίας κοπής, γεγονός που μπορεί να έχει ως αποτέλεσμα την απώλεια ελέγχου και σοβαρό προσωπικό τραυματισμό.

Κοπή αυλάκωσης

ΠΡΟΕΙΔΟΠΟΙΗΣΗ: Μην επιχειρήσετε να εκτελέσετε κοπή αυτού του είδους χρησιμοποιώντας λάμα μεγαλύτερου πάχους ή λάμα πολλαπλής αυλάκωσης. Εάν επιχειρήσετε να δημιουργήσετε κοπή αύλακα χρησιμοποιώντας λάμα μεγαλύτερου πάχους ή λάμα πολλαπλής αυλάκωσης, το αποτέλεσμα της κοπής μπορεί να είναι απρόβλεπτο και μπορεί να προκληθεί κλότσημα με πιθανό σοβαρό τραυματισμό.

ΠΡΟΕΙΔΟΠΟΙΗΣΗ: Βεβαιωθείτε ότι επαναφέρετε τον αναστατικό βραχίονα στην αρχική θέση όταν εκτελείτε οπδήποτε άλλο εκτός από κοπή αυλακώσεων. Εάν επιχειρήσετε να εκτελέσετε κοπή όταν ο αναστατικός βραχίονας βρίσκεται σε εσφαλμένη θέση, το αποτέλεσμα της κοπής μπορεί να είναι απρόβλεπτο και μπορεί να προκληθεί κλότσημα με πιθανό σοβαρό τραυματισμό.

Για κοπή τύπου αυλάκωσης, πραγματοποιήστε τα εξής:

1. Ρυθμίστε τη θέση του κάτω ορίου της λάμας χρησιμοποιώντας τη ρυθμιστική βίδα και τον αναστατικό βραχίονα για να περιορίσετε το βάθος κοπής της λάμας. Ανατρέξτε στην ενότητα «Αναστατικός βραχίονας» που περιγράφηκε προηγουμένως.

2. Αφού ρυθμίσετε τη θέση κάτω ορίου της λάμας, κόψτε παράλληλες αυλακώσεις κατά πλάτος του τεμαχίου εργασίας χρησιμοποιώντας μια ολισθητική (σπρωχτή) κοπή.

► **Εικ.52:** 1. Κόψτε αυλακώσεις με τη λάμα

3. Αφαιρέστε το υλικό του τεμαχίου εργασίας μεταξύ των αυλακώσεων με ένα σκαρπέλο.

Μεταφορά εργαλείου

Πριν τη μεταφορά, βεβαιωθείτε να αποσυνδέσετε το εργαλείο από την ηλεκτρική παροχή αλλά και ότι όλα τα κινούμενα μέρη του πριονιού λοξότμησης είναι ασφαλισμένα. Να ελέγχετε πάντα τα ακόλουθα:

- Το εργαλείο είναι αποσυνδεδεμένο από την ηλεκτρική παροχή.
- Η κινητή βάση βρίσκεται σε θέση κωνικής γωνίας 0° και είναι ασφαλισμένη.
- Η κινητή βάση χαμηλώνεται και κλειδώνεται.
- Η κινητή βάση έχει ολισθήσει πλήρως στο φράχτη οδηγό και έχει ασφαλιστεί.
- Η περιστροφική βάση βρίσκεται στην τέρμα δεξιά θέσης λοξής γωνίας και έχει ασφαλιστεί.
- Οι συγκρατητές είναι αποθηκευμένοι και ασφαλισμένοι.

Να μεταφέρετε το εργαλείο κρατώντας και τις δύο πλευρές της βάσης του εργαλείου όπως απεικονίζεται στην εικόνα.

► **Εικ.53**

ΠΡΟΕΙΔΟΠΟΙΗΣΗ: Ο ανασταλτικός πείρος για την ανύψωση κινητής βάσης προορίζεται μόνο για τον σκοπό μεταφοράς και αποθήκευσης και όχι για εργασίες κοπής. Η χρήση του ανασταλτικού πείρου για εργασίες κοπής μπορεί να προκαλέσει μη αναμενόμενη κίνηση της λάμας πριονιού προκαλώντας κλότσημα και σοβαρό τραυματισμό.

ΠΡΟΣΟΧΗ: Να ασφαρίζετε πάντα όλα τα κινούμενα τμήματα πριν μεταφέρετε το εργαλείο. Σε περίπτωση μετακίνησης ή ολισθήσης μερών του εργαλείου μπορεί να προκύψει απώλεια ελέγχου ή ισορροπίας προκαλώντας προσωπικό τραυματισμό.

ΣΥΝΤΗΡΗΣΗ

ΠΡΟΕΙΔΟΠΟΙΗΣΗ: Να βεβαιώνετε πάντα ότι το εργαλείο είναι σβηστό και αποσυνδεδεμένο από την ηλεκτρική παροχή πριν εκτελέσετε οποιαδήποτε εργασία επιθεώρησης ή συντήρησης. Αν δεν αποσυνδέσετε και απενεργοποιήσετε το εργαλείο, μπορεί να έχει ως αποτέλεσμα την τυχαία εκκίνηση του εργαλείου, γεγονός που μπορεί να έχει ως αποτέλεσμα σοβαρό προσωπικό τραυματισμό.

ΠΡΟΕΙΔΟΠΟΙΗΣΗ: Πάντοτε να επιβεβαιώνετε ότι η λάμα είναι ακονισμένη και καθαρή για την καλύτερη και ασφαλέστερη απόδοση. Εάν επιχειρήσετε να εκτελέσετε κοπή χρησιμοποιώντας στομαμένη ή/και ακάθαρτη λάμα, μπορεί να προκληθεί κλότσημα και κατά συνέπεια σοβαρός τραυματισμός.

ΕΙΔΟΠΟΙΗΣΗ: Μην χρησιμοποιείτε ποτέ βενζίνη, πετρελαϊκό αιθέρα, διαλυτικό, αλκοόλη ή παρόμοιες ουσίες. Μπορεί να προκληθεί αποχρωματισμός, παραμόρφωση ή ρωγμές.

Ρύθμιση της γωνίας κοπής

Αυτό το εργαλείο είναι προσεκτικά ρυθμισμένο και ευθυγραμμισμένο στο εργοστάσιο, αλλά σκληρή μεταχείριση μπορεί να έχει επηρεάσει την ευθυγράμμιση. Εάν το εργαλείο σας δεν είναι ευθυγραμμισμένο κατάλληλα, εκτελέστε τα ακόλουθα:

Λοξή γωνία

Χαμηλώστε εντελώς τη λαβή και ασφαλίστε τη στη χαμηλωμένη θέση με τον ανασταλτικό πείρο. Σπρώξτε την κινητή βάση προς το φράχτη οδηγό. Χαλαρώστε τη λαβή και τις βίδες που ασφαλίζουν το δείκτη και την κλίμακα λοξής γωνίας.

► **Εικ.54:** 1. Βίδα στο δείκτη 2. Βίδες στην κλίμακα λοξής γωνίας 3. Κλίμακα λοξής γωνίας

Θέστε την περιστροφική βάση στη θέση 0° χρησιμοποιώντας τη λειτουργία θετικής διακοπής. Ορθογωνίστε το πλαϊνό της λάμας με την πρόσοψη του φράχτη οδηγού χρησιμοποιώντας τριγωνικό κανόνα ή τετράγωνο κανόνα. Ενώ τα διατηρείτε ορθογωνισμένα, σφίξτε τις βίδες στην κλίμακα λοξής γωνίας. Μετά, ευθυγραμμίστε τους δείκτες (δεξιά και αριστερά) με τη θέση 0° στην κλίμακα λοξής γωνίας και σφίξτε τη βίδα στο δείκτη.

► **Εικ.55:** 1. Τριγωνικός κανόνας

Κωνική γωνία

0° κωνική γωνία

Σπρώξτε την κινητή βάση προς τον φράχτη οδηγό και ασφαλίστε την ολισθαίνουσα κίνηση με τον ανασταλτικό πείρο. Χαμηλώστε εντελώς τη λαβή και ασφαλίστε το στην κάτω θέση με τον ανασταλτικό πείρο και μετά χαλαρώστε το κουμπί. Γυρίστε το ρυθμιστικό μπουλόνι 0° δύο ή τρεις στροφές αριστερόστροφα για να γείρετε τη λάμα προς τα δεξιά.

► **Εικ.56:** 1. Ρυθμιστικό μπουλόνι 0° 2. Βίδα

Ορθογωνίστε προσεκτικά το πλαϊνό της λάμας με την άνω επιφάνεια της περιστροφικής βάσης χρησιμοποιώντας έναν τριγωνικό κανόνα, τετράγωνο κανόνα, κτλ., περιστρέφοντας το ρυθμιστικό μπουλόνι 0° δεξιόστροφα. Μετά, σφίξτε καλά το κουμπί για να ασφαλίσετε τη γωνία 0° που έχετε ρυθμίσει.

► **Εικ.57:** 1. Τριγωνικός κανόνας 2. Λάμα πριονιού 3. Άνω επιφάνεια της περιστροφικής βάσης

Ελέγξτε μία ακόμη φορά αν το πλάι της λάμας είναι ορθογωνισμένο με την επιφάνεια περιστροφικής βάσης. Χαλαρώστε τη βίδα στο δείκτη. Ευθυγραμμίστε το δείκτη με τη θέση 0° στην κλίμακα κωνικής γωνίας και μετά σφίξτε τη βίδα.

45° κωνική γωνία

ΕΙΔΟΠΟΙΗΣΗ: Πριν ρυθμίσετε την κωνική γωνία 45°, ολοκληρώστε τη ρύθμιση κωνικής γωνίας 0°.

Χαλαρώστε το κουμπί και γείρετε πλήρως την κινητή βάση στην πλευρά που θέλετε να ελέγξετε. Ελέγξτε αν ο δείκτης υποδεικνύει τη θέση 45° στην κλίμακα κωνικής γωνίας.

► **Εικ.58**

Αν ο δείκτης δεν δείχνει τη θέση 45°, ευθυγραμμίστε τη με τη θέση 45° περιστρέφοντας το ρυθμιστικό μπουλόνι στην αντίθετη πλευρά της κλίμακας κωνικής γωνίας.

► **Εικ.59:** 1. Ρυθμιστικό μπουλόνι αριστερά 45°
2. Ρυθμιστικό μπουλόνι δεξιά 45°

Ρύθμιση της θέσης γραμμής λείζερ

Για μοντέλο LS1019L μόνο

ΠΡΟΕΙΔΟΠΟΙΗΣΗ: Το εργαλείο πρέπει να είναι συνδεδεμένο στην ηλεκτρική παροχή όταν ρυθμίζετε τη γραμμή λείζερ. Προσέχετε ιδιαίτερα να μην ενεργοποιήσετε το εργαλείο κατά τη ρύθμιση. Η τυχαία εκκίνηση του εργαλείου μπορεί να καταλήξει σε σοβαρό τραυματισμό.

ΠΡΟΣΟΧΗ: Μην κοιτάζετε ποτέ απευθείας τη δέσμη λείζερ. Η άμεση έκθεση των ματιών στο φως μπορεί να προκαλέσει σοβαρή βλάβη στα μάτια σας.

ΕΙΔΟΠΟΙΗΣΗ: Να ελέγχετε τακτικά τη θέση της γραμμής λείζερ για ακρίβεια.

ΕΙΔΟΠΟΙΗΣΗ: Να προσέχετε ώστε να μην προκαλούνται κρούσεις στο εργαλείο. Μπορεί να προκαλέσει τη λανθασμένη ευθυγράμμιση της γραμμής λείζερ ή μπορεί να προκαλέσει ζημιά στο λείζερ, γεγονός που μπορεί να συντομεύσει τη διάρκεια ζωής του.

ΕΙΔΟΠΟΙΗΣΗ: Ζητήστε από εξουσιοδοτημένο κέντρο εξυπηρέτησης της Makita να επισκευάσει το εργαλείο για οποιαδήποτε βλάβη της μονάδας λείζερ.

Το κινητό εύρος της γραμμής λείζερ ρυθμίζεται με τις βίδες ρύθμισης εύρους και στις δύο πλευρές. Εκτελέστε τις ακόλουθες διαδικασίες για να τροποποιήσετε τη θέση της γραμμής λείζερ.

1. Αποσυνδέστε το εργαλείο από την παροχή ρεύματος.
2. Σχεδιάστε μια γραμμή κοπής στο τεμάχιο εργασίας και τοποθετήστε το στην περιστροφική βάση. Αυτή τη στιγμή, μην ασφαλίσετε το τεμάχιο εργασίας με μέγγενη ή παρόμοια διάταξη συγκράτησης.
3. Χαμηλώστε τη λαβή και ευθυγραμμίστε τη γραμμή κοπής με τη λάμα πριονιού.
4. Επιστρέψτε τη λαβή στην αρχική θέση και ασφαλίστε το τεμάχιο εργασίας με την κάθετη μέγγενη ώστε το τεμάχιο εργασίας να μην μετακινείται από τη θέση που έχετε καθορίσει.
5. Συνδέστε το εργαλείο στην ηλεκτρική παροχή και ανοίξτε το διακόπτη λείζερ.
6. Χαλαρώστε τη ρυθμιστική βίδα. Για να μετακινήσετε τη γραμμή λείζερ μακριά από τη λάμα, γυρίστε τις βίδες ρύθμισης εύρους αριστερόστροφα. Για να μετακινήσετε τη γραμμή λείζερ κοντά στη λάμα, γυρίστε τη βίδα ρύθμισης εύρους δεξιόστροφα.

Ρύθμιση της γραμμής λείζερ στην αριστερή πλευρά της λάμας

- **Εικ.60:** 1. Ρυθμιστική βίδα 2. Βίδα ρύθμισης εύρους
3. Εξαγωνικό κλειδί 4. Γραμμή λείζερ
5. Λάμα πριονιού

Ρύθμιση της γραμμής λείζερ στη δεξιά πλευρά της λάμας

- **Εικ.61:** 1. Ρυθμιστική βίδα 2. Βίδα ρύθμισης εύρους
3. Εξαγωνικό κλειδί 4. Γραμμή λείζερ
5. Λάμα πριονιού

7. Σύρτε τη ρυθμιστική βίδα στη θέση που η γραμμή λείζερ έρθει στη γραμμή κοπής και μετά σφίξτε.

ΠΑΡΑΤΗΡΗΣΗ: Το κινητό εύρος της γραμμής λείζερ ρυθμίζεται εργοστασιακά εντός 1 mm (0,04") από την πλαϊνή επιφάνεια της λάμας.

Καθαρισμός του φακού φωτός λείζερ

Για μοντέλο LS1019L μόνο

Το φως λείζερ δεν φαίνεται εύκολα καθώς ο φακός για το φως λείζερ βρομίζει. Να καθαρίζετε περιοδικά το φακό για το φως λείζερ.

► **Εικ.62:** 1. Βίδα 2. Φακός

Αποσυνδέστε το εργαλείο από την παροχή ρεύματος. Χαλαρώστε τη βίδα και τραβήξτε το φακό για να τον βγάλετε. Καθαρίστε το φακό απαλά με ένα βρεγμένο μαλακό πανί.

ΕΙΔΟΠΟΙΗΣΗ: Μην αφαιρέσετε τη βίδα που ασφαλίζει το φακό. Αν ο φακός δεν βγαίνει, χαλαρώστε τη βίδα περισσότερο.

ΕΙΔΟΠΟΙΗΣΗ: Μην χρησιμοποιείτε διαλύτες ή καθαριστικά με βάση το πετρέλαιο στον φακό.

Αντικατάσταση καρβουνάκιών

► **Εικ.63:** 1. Σημάδι ορίου

Αφαιρείτε και ελέγχετε τα καρβουνάκια τακτικά. Αντικαθιστάτε όταν φθαρούν μέχρι το σημάδι ορίου. Κρατάτε τα καρβουνάκια καθαρά και ελεύθερα να ολισθαίνουν στις θήκες. Και τα δύο καρβουνάκια πρέπει να αντικαθίστανται ταυτόχρονα. Να χρησιμοποιείτε μόνο καρβουνάκια ίδιου τύπου.

Χρησιμοποιήστε ένα κατασβίδι για να αφαιρέσετε τα καπάκια των θηκών καρβουνάκιών. Βγάλτε τα φθαρμένα καρβουνάκια, τοποθετήστε τα καινούρια και ασφαλίστε τα καπάκια των θηκών καρβουνάκιών.

► **Εικ.64:** 1. Καπάκι θήκης καρβουνάκιου

Μετά την αντικατάσταση των καρβουνάκιών, βάλτε το ηλεκτρικό καλώδιο του εργαλείου στην πρίζα και στρώστε τα καρβουνάκια αφήνοντας το εργαλείο σε λειτουργία χωρίς φορτίο για περίπου 10 λεπτά. Στη συνέχεια, ελέγξτε το εργαλείο ενώ λειτουργεί και ελέγξτε τη λειτουργία του ηλεκτρικού φρένου όταν αφήνετε τη σκανδάλη διακόπτη. Αν το ηλεκτρικό φρένο δεν λειτουργεί σωστά, φροντίστε να επισκευαστεί το εργαλείο σε κέντρο εξυπηρέτησης της Makita.

Μετά τη χρήση

Μετά τη χρήση, σφουγγίστε τα τεμαχίδια και τη σκόνη που είναι κολλημένα στο εργαλείο με ένα πανί ή κάτι παρόμοιο. Κρατήστε τον προφυλακτήρα λάμας καθαρό σύμφωνα με τις οδηγίες στην προηγούμενης καλυφθείσα ενότητα με τίτλο «Προφυλακτήρας λάμας». Λιπαίνετε τα μέρη που γλιστρούν με μηχανικό έλαιο για να μην οξειδωθούν.

Για τη διατήρηση της ΑΣΦΑΛΕΙΑΣ και ΑΞΙΟΠΙΣΤΙΑΣ του προϊόντος, οι επισκευές και οποιαδήποτε άλλη εργασία συντήρησης ή ρύθμισης πρέπει να εκτελούνται από εξουσιοδοτημένα ή εργοστασιακά κέντρα εξυπηρέτησης της Makita, χρησιμοποιώντας πάντοτε ανταλλακτικά της Makita.

ΠΡΟΑΙΡΕΤΙΚΑ ΕΞΑΡΤΗΜΑΤΑ

⚠ ΠΡΟΕΙΔΟΠΟΙΗΣΗ: Αυτά τα εξαρτήματα Makita ή προσαρτήματα συνιστώνται για χρήση με το εργαλείο Makita που περιγράφηκε στις οδηγίες αυτές. Η χρήση οποιωνδήποτε άλλων εξαρτήματα ή προσαρτημάτων μπορεί να καταλήξει σε πρόκληση σοβαρού τραυματισμού.

⚠ ΠΡΟΕΙΔΟΠΟΙΗΣΗ: Το εξαρτήματα ή το προσαρτήμα της Makita να χρησιμοποιείται μόνο για την προοριζόμενη χρήση του. Η κακή χρήση ενός εξαρτήματα ή προσαρτήματος μπορεί να καταλήξει σε πρόκληση σοβαρού τραυματισμού.

Εάν χρειάζεστε οποιαδήποτε βοήθεια για περισσότερες πληροφορίες σε σχέση με αυτά τα εξαρτήματα, απαντήστε στο τοπικό σας κέντρο εξυπηρέτησης Makita.

- Ατσάλινες λάμες πριονιού με μύτες καρβιδίου
- Κάθετη μέγγενη
- Οριζόντια μέγγενη
- Σετ αναστολέα ανάγλυφης μόρφωσης στέψης
- Σάκος σκόνης
- Τριγωνικός κανόνας
- Εξαγωνικό κλειδί
- Εξαγωνικό κλειδί (για LS1019L)

ΠΑΡΑΤΗΡΗΣΗ: Μερικά στοιχεία στη λίστα μπορεί να συμπεριλαμβάνονται στη συσκευασία εργαλείου ως στάνταρ εξαρτήματα. Μπορεί να διαφέρουν ανάλογα με τη χώρα.

TEKNİK ÖZELLİKLER

| Model: | | LS1019 | LS1019L |
|--------------------------------------|--------------------------|---|---------|
| Bıçak çapı | Avrupa ülkeleri | 260 mm | |
| | Avrupa dışındaki ülkeler | 255 mm - 260 mm | |
| Delik çapı | Avrupa ülkeleri | 30 mm | |
| | Avrupa dışındaki ülkeler | 25,4 mm | |
| Testere bıçağı maks. kesim kalınlığı | | 3,2 mm | |
| Maks. gönye açısı | | Sağ 60°, Sol 60° | |
| Maks. eğim açısı | | Sağ 48°, Sol 48° | |
| Yüksüz hız (Devir/Dak) | | 3.200 min ⁻¹ | |
| Lazer tipi | - | Kırmızı lazer 650 nm, Maksimum çıkış < 1,6 mW (lazer Sınıfı 2M) | |
| Ebat (U x G x Y) | | 805 mm x 644 mm x 660 mm | |
| Net ağırlık | | 26,1 kg | 26,3 kg |

Kesme kapasiteleri (Y x G)

| Gönye açısı | Eğim açısı | | |
|------------------|----------------------------------|----------------------------------|----------------------------------|
| | 45° (sol) | 0° | 45° (sağ) |
| 0° | 42 mm x 310 mm 58 mm x 279 mm | 68 mm x 310 mm 91 mm x 279 mm | 29 mm x 310 mm 43 mm x 279 mm |
| 45° (sağ ve sol) | 42 mm x 218 mm 58 mm x 197 mm | 68 mm x 218 mm 91 mm x 197 mm | 29 mm x 218 mm 43 mm x 197 mm |
| 60° (sağ ve sol) | - | 68 mm x 155 mm 91 mm x 139 mm | - |

Özel kesimler için kesme kapasiteleri

| Kesim türü | Kesme kapasitesi |
|---|------------------|
| Kartonpiyer, 45° (kartonpiyer sabitleyici kullanıldığında) | 168 mm |
| Süpürgelik (yatay mengene kullanıldığında) | 133 mm |

- Sürekli yapılan araştırma ve geliştirmelerden dolayı, burada belirtilen özellikler önceden bildirilmeksizin değiştirilebilir.
- Özellikler ülkeden ülkeye değişebilir.
- EPTA-Prosedürü 01/2014 uyarınca ağırlık

Semboller

Aşağıdakiler makinenin için kullanılan sembollerini göstermektedir. Kullanmadan önce manalarını anladığınızdan emin olunuz.



Kullanma kılavuzunu okuyun.



ÇİFT YALITIMLI



Sıçrayan parçalardan yaralanmayı önlemek için kesim bittikten sonra bıçak tamamen durana kadar testere başını daima aşağıda tutun.



Kızaklı kesme sırasında önce taşıyıcıyı tamamen çekin ve kola bastırın, ardından taşıyıcıyı kılavuz bariyeri boyunca itin.



Elinizi ve parmaklarınızı bıçağa yaklaştırmayın.



Lazer ışınına asla bakmayın. Direkt lazer ışını gözlerinize zarar verebilir.



Sadece AB ülkeleri için
Elektrik donanımını evsel atıklarla birlikte bertaraf etmeyiniz! Kullanılmış elektrikli cihazları, Elektrikli ve Elektronik Cihaz Atıkları Hakkındaki Avrupa Yönergesine göre ve bu yönergeler ulusal hukuk kuralına göre uyarlanarak, ayrı olarak toplanmalı ve çevre şartlarına uygun bir şekilde tekrar değerlendirmeye gönderilmelidir.

Kullanım amacı

Bu alet, ahşap malzemede düz ve gönyeli hassas kesimler yapmak için tasarlanmıştır. Uygun testere bıçakları ile alüminyum da kesilebilir.

Güç kaynağı

Aletin, yalnızca isim levhasında belirtilenle aynı voltajlı güç kaynağına bağlanması gerekir ve yalnızca tek fazlı AC güç kaynağıyla çalıştırılabilir. Çifte yalıtımlıdır ve topraklamasız prizlerle de kullanılabilir.

Gürültü

Tipik A-ağırlıklı gürültü düzeyi (EN62841 standardına göre belirlenen):

Model LS1019

Ses basınç seviyesi (L_{pA}): 91 dB (A)

Ses gücü düzeyi (L_{WA}): 101 dB (A)

Belirsizlik (K): 3 dB (A)

Model LS1019L

Ses basınç seviyesi (L_{pA}): 91 dB (A)

Ses gücü düzeyi (L_{WA}): 101 dB (A)

Belirsizlik (K): 3 dB (A)

UYARI: Kulak koruyucuları takın.

Titreşim

Titreşim toplam değeri (üç eksenli vektör toplamı) (EN62841 standardına göre hesaplanan):

Model LS1019

Titreşim emisyonu (a_n): 2,5 m/s² den az

Belirsizlik (K) : 1,5 m/s²

Model LS1019L

Titreşim emisyonu (a_n): 2,5 m/s² den az

Belirsizlik (K) : 1,5 m/s²

NOT: Beyan edilen titreşim emisyon değeri standart test yöntemine uygun şekilde ölçülmüştür ve bir aleti bir başkasıyla karşılaştırmak için kullanılabilir.

NOT: Beyan edilen titreşim emisyon değeri bir ön maruz kalma değerlendirmesi olarak da kullanılabilir.

UYARI: Bu elektrikli aletin gerçek kullanımı sırasındaki titreşim emisyonu aletin kullanım biçimlerine bağlı olarak beyan edilen emisyon değerinden farklı olabilir.

UYARI: Gerçek kullanım koşullarındaki maruz kalmanın bir tahmini hesaplaması temelinde operatörü koruyacak güvenlik önlemlerini mutlaka belirleyin (çalışma döngüsü içerisinde aletin kapalı olduğu ve aktif durumda olmasının yanı sıra boşta çalıştığı zamanlar gibi, bütün zaman dilimleri göz önünde bulundurularak değerlendirilmelidir).

EC Uygunluk Beyanı

Sadece Avrupa ülkeleri için

EC uygunluk beyanı bu kullanım kılavuzuna Ek A olarak eklenmiştir.

GÜVENLİK UYARILARI

Genel elektrikli alet güvenliği uyarıları

UYARI: Bu elektrikli aletle birlikte sunulan tüm güvenlik uyarılarını, talimatları, çizimleri ve teknik özellikleri okuyun. Aşağıda verilen talimatlara uyulmaması elektrik şoku, yangın ve/veya ciddi yaralanmalar ile sonuçlanabilir.

Tüm uyarıları ve talimatları ile-ride başvurmak için saklayın.

Uyarılardaki "elektrikli alet" terimi ile ya prizden çalışan (kordonlu) elektrikli aletiniz ya da kendi aküsü ile çalışan (kordonsuz) elektrikli aletiniz kastedilmektedir.

Gönye kesme testereleri için güvenlik talimatları

- Gönye kesme testereleri ahşap veya ahşap benzeri ürünleri kesmek için tasarlanmıştır, çubuklar, rodlar, saplamalar, vb. gibi demir malzemeleri kesmek için aşındırıcı kesim diskleriyle kullanılamaz.** Aşındırıcı toz alt siper gibi hareketli parçaların sıkışmasına neden olur. Aşındırıcı kesimden kaynaklanan kıvılcıklar alt siperi, kesim kanalı ve diğer plastik parçaları yakar.
- Mümkün olan her durumda iş parçasını men-geneler kullanarak destekleyin. İş parçasını elle destekliyorsanız elini daima testere bıçağının her iki tarafından en az 100 mm uzakta tutun. Bu testereyi, sabitlemeyecek veya elle tutulamayacak kadar küçük parçaları kesmek için kullanmayın.** Eliniz testere bıçağına çok yakın yerleştirilirse yüksek oranda bıçağa temas ederek yaralanma riski vardır.
- İş parçası sabit olmalı ve mengene ile sabitlenmeli veya bariyer ve tezgaha dayanacak şekilde tutulmalıdır. İş parçasını "sabitlemeden" hiçbir şekilde bıçağa sürmeyin veya kesmeyin.** Sabitlenmemiş veya hareket eden iş parçaları yüksek hızlarda fırlayarak yaralanmaya neden olabilir.
- Testereyi iş parçası boyunca itin. Testereyi iş parçası boyunca çekmeyin. Kesim yapmak için testere kafasını kaldırın ve kesmeden iş parçasının üzerinden dışarı çekin, motoru çalıştırın, testere kafasını aşağı doğru bastırın ve testereyi iş parçası boyunca itin.** Çekmek suretiyle kesim yapılması testere bıçağının iş parçasının üzerine tırmanmasına ve bıçak takımını operatöre doğru şiddetle fırlatmasına neden olabilir.
- Elinizi, testere bıçağının önünden veya arkasından tasarlanan kesim çizgisinin öbür tarafa geçirmeyin. İş parçasının "çapraz şekilde" yani iş parçasını testere bıçağının sağında sol elinizde tutarak veya tersi şekilde desteklemek çok tehlikelidir.**

► Şek.1

6. **Bıçak dönerken atık ahşap parçalarını kaldırmak veya başka herhangi bir nedenle testere bıçağının her iki tarafına 100 mm'den daha yakın olacak şekilde ellerinizle bariyerin arkasına uzanmayın.** Dönen testere bıçağının elinize olan yakınlığı belli olmayabilir ve ciddi şekilde yaralanabilirsiniz.
 7. **Kesmeden önce iş parçanızı inceleyin. İş parçası eğri veya çarpık ise diş eğri kısmı bariyere gelecek şekilde mengene ile sabitleyin. Kesim çizgisi boyunca iş parçası, bariyer ve tezgah arasında boşluk kalmadığından daima emin olun.** Eğri veya çarpık iş parçaları dönebilir veya kayabilir ve kesim sırasında dönen testere bıçağına takılmasına neden olabilir. İş parçasında çivi veya yabancı maddeler olmamalıdır.
 8. **Tezgahta iş parçası dışındaki tüm aletler, atık ahşap parçaları, vb. kaldırılmadan testereyi kullanmayın.** Dönen bıçağa temas eden küçük atıklar veya gevşek ahşap parçaları ya da başka nesnelere yüksek hızla fırlayabilir.
 9. **Tek seferde sadece bir adet iş parçası kesin.** Üst üste dizilen birden fazla iş parçası yeterli kadar sabitlenemeyebilir veya desteklenemeyebilir ve kesim sırasında bıçağa takılabilir veya kayabilir.
 10. **Kullanmadan önce gönye kesme makinasının düz, sabit bir çalışma yüzeyine monte edildiğinden veya yerleştirildiğinden emin olun.** Düz ve sabit çalışma yüzeyi gönye kesme makinasının dengesini yitirme riskini azaltır.
 11. **İşinizi planlayın. Eğitim veya gönye açısı ayarını her değiştirdiğinizde ayarlanabilir bariyerin iş parçasını destekleyecek şekilde doğru ayarlandığından ve bıçak veya koruma siperi sisteminde müdahale etmeyeceğinden emin olun.** Aleti "Açık" konuma almadan önce ve tezgahta iş parçası yokken bariyere müdahale edilmeyeceğinden veya bariyerin kesilme tehlikesi olmadığından emin olmak için testere bıçağını tam bir temsili kesim yapacak şekilde hareket ettirin.
 12. **Tezgahtan daha geniş veya uzun iş parçası için tezgah uzantıları, testere tezgahları, vb. gibi yeterli destek sağlayın.** Gönye kesme makinasının tezgahından daha uzun veya daha geniş iş parçaları emniyetli bir şekilde desteklenmezse devrilebilir. Kesilen parça veya iş parçası devrilirse alt siperi kaldırabilir veya dönen bıçak tarafından fırlatılabilir.
 13. **Tezgah uzantısı veya ilave destek yerine başka bir kişiyi kullanmayın.** İş parçasının dengesiz şekilde desteklenmesi kesim işlemi sırasında bıçağın takılmasına veya iş parçasının kaymasına neden olarak sizi veya yardım eden kişiyi dönen bıçağa çekebilir.
 14. **Kesilen parça dönen testere bıçağına dayanacak şekilde hiçbir biçimde sıkıştırılmamalı veya bastırılmamalıdır.** Uzunluk dayanakları kullanarak sınırlandırılması durumunda kesilen parça bıçağa dayanıp kalarak şiddetli bir şekilde fırlayabilir.
 15. **Daima çubuklar veya borular gibi yuvarlak malzemeleri düzgün şekilde desteklemek üzere tasarlanmış mengene veya sabitleme aparatı kullanın.** Çubuklar kesilirken dönme eğilimi gösterdiklerinden bıçak iş parçasını kavrayarak elinizle birlikte bıçağa çekilmesine neden olur.
 16. **İş parçasına temas ettirmeden önce bıçağın tam hızına çıkmasını bekleyin.** Bu, iş parçasının fırlatılma riskini düşürecektir.
 17. **İş parçası veya bıçak sıkışırsa gönye kesme makinasını kapatın. Tüm hareketli parçaların durmasını bekleyin ve fişi elektrik prizinden çekin ve/veya bataryayı çıkarın. Daha sonra sıkışan malzemeyi çıkarmaya çalışın.** Sıkışan iş parçası ile kesmeye devam etmek kontrol kaybına veya gönye kesme makinasının hasar görmesine neden olabilir.
 18. **Kesimi tamamladıktan sonra anahtarı bırakın, testere kafasını aşağıda tutun ve kesilen parçayı çıkarmadan önce bıçağın durmasını bekleyin.** Boşta dönen bıçağın yakınına elinize uzanmak tehlikelidir.
 19. **Eksik kesim yaparken veya testere kafası tamamen aşağı konuma gelmeden önce anahtarı bırakırken tutamağı sıkıca tutun.** Testerenin frenleme hareketi testere kafasının aniden aşağı doğru çekilmesine neden olarak yaralanma riskine yol açabilir.
 20. **Sadece alet üzerinde işaretli olan ya da kilavuzda belirtilen çapta testere bıçağı kullanın.** Yanlış boyutta bir bıçak kullanılması bıçağın doğru bir şekilde korunmasını ya da koruma parçasının işleyişini etkileyebilir, bu da ciddi kişisel yaralanmalara neden olabilir.
 21. **Sadece hızlı alet üzerinde işaretli olan hıza eşit ya da ondan daha yüksek olan testere bıçaklarını kullanın.**
 22. **Testereyi tahta, alüminyum ve benzeri dışındaki malzemeleri kesmek için kullanmayın.**
 23. **(Sadece Avrupa ülkeleri için) Daima EN847-1'e uygun bıçak kullanın.**
- Ek talimatlar**
1. **Atölyeyi asma kilitlerle çocukların erişemeyeceği hale getirin.**
 2. **Hiçbir zaman aletin üzerine çıkmayın. Alet devrilir veya kesim aleti kazara temas ederse ciddi yaralanma meydana gelebilir.**
 3. **Aleti hiçbir zaman çalışır durumda başı boş bırakmayın. Gücü kapatın. Tamamen durmadan aletin başından ayrılmayın.**
 4. **Koruma siperlerini yerine takmadan testereyi kullanmayın. Her kullanımdan önce bıçak siperinin doğru bir şekilde kapatılıp kapatılmadığını kontrol edin. Bıçak siperi serbest bir şekilde hareket etmiyor ve anında kapanıyorsa testereyi kullanmayın. Bıçak siperini asla açık konumda kalacak şekilde sıkıştırmayın ve bağlamayın.**
 5. **Ellerinizi testere bıçağının hareket alanından uzak tutun. Alet durdurulduktan sonra durana kadar boşta dönen bıçağa temastan sakının. Ciddi yaralanmalara sebep olabilir.**
 6. **Bıçak siperini asla açık konumda kalacak şekilde sıkıştırmayın ve bağlamayın.**
 7. **Yaralanma riskini azaltmak için her enine kesimden sonra taşıyıcıyı tam geri konuma döndürün.**
 8. **Aleti taşımadan önce hareket eden tüm parçaları sabitleyin.**
 9. **Kesici kafanın aşağı sabitlenmesini sağlayan sabitleme pimi sadece taşıma ve saklama amacıyla kullanılmalı, hiçbir kesim işlemi sırasında kullanılmamalıdır.**
 10. **Kullanmadan önce bıçakta çatlak ya da hasar olup olmadığını dikkatlice kontrol edin. Çatlak veya hasarlı bıçağı hemen değiştirin. Bıçakların üzerinde sertleşen sakız ve odun katranı testereyi yavaşlatır ve geri tepme potansiyelini artırır. Bıçağı ilk önce aletten çıkarıp daha sonra sakız veya katran temizleyici, sıcak su veya gaz yağı ile temizleyerek temiz tutun. Bıçağı temizlemek için asla benzin kullanmayın.**

11. Kızaklı kesim yaparken GERİ TEPME meydana gelebilir. GERİ TEPME, kesim işlemi sırasında bıçak iş parçasına takıldığında ve testere bıçağı hızlı bir şekilde operatöre doğru sürüldüğünde meydana gelir. Kontrol kaybı ve ciddi yaralanmayla sonuçlanabilir. Kesim işlemi sırasında bıçak takılmaya başlarsa kesime devam etmeyin ve anahtarı hemen bırakın.
12. Sadece bu alete uygun olan flanşları kullanın.
13. Mil, flanş (özellikle montaj yüzeyi) ve civatalara zarar gelmesine dikkat edin. Bu parçalara zarar gelirse bıçak kırılabilir.
14. Dönüş kaidesinin iyice sabitlendiğinden, kullanımı sırasında hareket etmeyeceğinden emin olun. Testereyi sabit bir çalışma platformuna veya tezgaha sabitlemek için kaide üzerindeki delikleri kullanın. Aleti, operatörün konumu biçimsiz olacak şekilde ASLA kullanmayın.
15. Anahtar açılmadan önce mil kilidinin serbest olduğundan emin olun.
16. Bıçağın en düşük konumda dönüş kaidesine temas etmediğinden emin olun.
17. Tutamağı elinizle sıkıca tutun. Başlatma ve durma sırasında testerenin hafifçe yukarı veya aşağı hareket ettiğini unutmayın.
18. Anahtar açılmadan önce bıçağın iş parçasına temas etmediğinden emin olun.
19. Aleti iş parçası üzerinde kullanmadan önce bir müddet çalıştırın. İyi takılmamış veya tam dengelenmemiş bir bıçağın belirtileri olan vibrasyon ya da sallanma olup olmadığına bakın.
20. Anormal bir durum fark ederseniz kullanımı derhal durdurun.
21. Tetiği "Açık" konumda kilitlemeye çalışmayın.
22. Daima bu kılavuzda tavsiye edilen aksesuarları kullanın. Aşındırıcı disk gibi uygun olmayan aksesuarların kullanımı yaralanmaya sebep olabilir.
23. Bazı malmeler zehirli olabilecek kimyasal maddeler içerir. Tozun solunmasını ve cilde temas etmesini önlemek için dikkatli olun. Malzeme tedarikçisinin güvenlik bilgilerini izleyin.

Lazer için ek güvenlik kuralları

1. LAZER RADYASYONU, İŞİNA BAKMAYIN VEYA OPTİK ALETLERLE DOĞRUDAN İZLEMİYİN, SINIF 2M LAZERLİ ÜRÜN.

BU TALİMATLARI MUHAFAZA EDİNİZ.

⚠UYARI: Ürünü kullanırken (defalarca kullanınca kazanılan) rahatlık ve tanıdıklık duygusunun ilgili ürünün güvenlik kurallarına sıkı sıkıya bağlı kalmanın yerine geçmesine İZİN VERMEYİN. YANLIŞ KULLANIM veya bu kullanma kılavuzunda belirtilen emniyet kurallarına uymama ciddi yaralanmaya neden olabilir.

PARÇALARIN TANIMI

► Şek.2

| | | | | | | | |
|----|--|----|---|----|-------------------------------------|----|---|
| 1 | Kızak çubuğu | 2 | Sabitleme pimi (taşırı-cıyı kaydırmak için) | 3 | Dikey mengene | 4 | Serbest bırakma düğmesi (sağ taraf eğim açısı için) |
| 5 | Tutucu | 6 | Dönüş kaidesi | 7 | İşaretçi (gönye açısı için) | 8 | Gönye açısı ölçeği |
| 9 | Kesim kanalı | 10 | Bıçak kılıfı | 11 | Ayar vidası (lazer çizgisi için) | 12 | Aralık ayar vidası (lazer çizgisi için) |
| 13 | Bıçak siperi | 14 | Topuz (eğim açısı için) | 15 | Altıgen anahtar | 16 | Ayar vidası (alt limit konumu için) |
| 17 | Ayar civatası (maksimum kesme kapasitesi için) | 18 | Durdurucu kol | 19 | Kilitleme kolu (dönüş kaidesi için) | 20 | Serbest bırakma kolu (dönüş kaidesi için) |
| 21 | Kavrama kolu (dönüş kaidesi için) | - | - | - | - | - | - |

► Şek.3

| | | | | | | | |
|----|----------------------------------|----|--|----|-------------------------------------|----|--|
| 1 | Anahtar tetik | 2 | Güvenlik kilidi düğmesi | 3 | Asma kilit deliği | 4 | Düğme (lazer çizgisi için) |
| 5 | Hortum (toz çekmek için) | 6 | Sabitleme pimi (taşırı-cı yüksekliği için) | 7 | Kılavuz bariyeri (alt bariyer) | 8 | Kılavuz bariyeri (üst bariyer) |
| 9 | Toz torbası | 10 | 0° ayar civatası (eğim açısı için) | 11 | Eğim açısı ölçeği | 12 | Serbest bırakma kolu (48° eğim açısı için) |
| 13 | Kilitleme kolu (eğim açısı için) | 14 | İşaretçi (eğim açısı için) | 15 | 45° ayar civatası (eğim açısı için) | - | - |

KURULUM

Kavrama kolunun takılması

Kavrama kolunun diřli milini dönüş kaidesine vidalayın.

► **Şek.4:** 1. Kavrama kolu 2. Dönüş kaidesi

Toz çekme hortumunun takılması

Toz çekme hortumunu şekilde gösterildiđi gibi alete bađlayın.

Dirsek ve rakoron aletin ađızlıklarına düzgün şekilde oturduđundan emin olun.

► **Şek.5:** 1. Toz çekme hortumu 2. Dirsek 3. Rakor 4. Ađızlık

Tezgađın montajı

Alet gönderildiđinde, sabitleme pimi tutamađı ařađı indirilmiř konumda kilitleli tutar. Tutamađı hafifçe indirirken sabitleme pimini çekin ve 90° döndürün.

► **Şek.6:** 1. Kilitleli konum 2. Açık konum 3. Sabitleme pimi

Bu alet, aletin kaidesindeki cıvata delikleri kullanılarak, dört cıvatayla düz ve dengeli bir yüzeye sabitlenmelidir. Bu, kaymayı ve olası yaralanmaları önlemeye yardımcı olacaktır.

► **Şek.7:** 1. Cıvata

UYARI: Aletin destek yüzeyinin üzerine gelmemesine dikkat edin. Gönye kesme makinasının kesim sırasında destek yüzeyine gelmesi, kontrolün kaybedilmesine ve ciddi yaralanmalara sebep olabilir.

İŐLEVSEL NİTELİKLER

UYARI: Alet üzerinde ayarlama ya da işleyiř kontrolü yapmadan önce aletin kapalı ve fiřin prizden çıkartılmıř olduđundan daima emin olun. Aletin kapatılmaması ve fiřin prizden çıkartılmaması istemsiz olarak aletin bařlatılması sonucu ciddi yaralanmalara neden olabilir.

Bıçak siperi

► **Şek.8:** 1. Bıçak siperi

Tutamađı indirirken, bıçak siperi otomatik olarak kalkar. Siper yaylı olduđu için kesim tamamlandıktan sonra tutamak kaldırıldıđında orijinal konumuna döner.

UYARI: Bıçak siperini veya sipere bađlı olan yayı asla devre dıřı bırakmayın ve çıkarmayın. Siperin devre dıřı bırakılması sonucu açıkta kalan bıçak kullanım sırasında ciddi yaralanmalara neden olabilir.

Kişisel güvenliđiniz için bıçak siperini daima iyi durumda muhafaza edin. Bıçak siperinin anormal her türlü çalıřması derhal düzeltilmelidir. Siperin yaylı geri dönüş hareketini kontrol edin.

UYARI: Bıçak siperi ya da yayı hasarlı, arızalı ya da çıkmıř ise aleti asla kullanmayın. Hasarlı, arızalı ya da çıkmıř bir siperle aletin kullanılması ciddi yaralanmalara neden olabilir.

Şeffaf bıçak siperi kirlenirse ya da testereden çıkan tozların yapıřması sonucu bıçak ve/veya iş parçası görünemez hale gelirse, testereyi fiřten çekin ve siperi nemli bir bezle temizleyin. Plastik siper üzerinde çözücü ya da petrol bazlı temizleyiciler kullanmayın, aksi takdirde siper hasar görebilir.

Bıçak siperi özellikle kirlili ve siper üzerinden görüř engellenmiř durumda ise aletin fiřini prizden çekin ve ürünle verilen anahtarını kullanarak orta kapađı tutan altıgen soket cıvatayı gevřetin. Altıgen soket cıvatayı saatin aksi yönde döndürerek gevřetin, bıçak siperini ve orta kapađı kaldırın. Bıçak siperi bu şekilde konumlandırıldıđında daha eksiksiz ve etkili temizleme yapılabilir. Temizleme tamamlandıđında yukarıdaki işlemi tersinden izleyerek cıvatayı sıkın. Bıçak siperini tutan yayı çıkarmayın. Siper zamanla ya da UV ışınlarına maruz kalma sonucu renk atarsa, yeni bir siper için Makita servisimize bařvurun. SİPERİ DEVRE DİŐİ BIRAKMAYIN VE ÇIKARMAYIN.

► **Şek.9:** 1. Orta kapak 2. Altıgen anahtar 3. Bıçak siperi

Kesim kanalı

Kesimin çıkıř tarafında yarılmaları azaltmak için, bu alet dönüş kaidesi kesim kanalı ile birlikte sunulmuřtur. Kesim kanalı, testere bıçađı kesim kanalına temas etmeyecek şekilde fabrikada ayarlanmıřtır. Kullanmadan önce, kesim kanalını ařađıdaki gibi ayarlayın:

► **Şek.10:** 1. Kesim tahtası

► **Şek.11:** 1. Sola eđimli kesim 2. Düz kesim 3. Sađa eđimli kesim 4. Testere bıçađı 5. Bıçak diřleri 6. Kesim kanalı

Önce aletin fişini prizden çekin. Kesim kanalını sabitleyen tüm vidaları (sağda ve solda 2 adet), kesim kanalı elle kolayca hareket ettirebilene kadar gevşetin.

Tutamağı tam aşağıya indirin, daha sonra tutamağı bu alt konumda kilitlemek için sabitleme pimini çekerek döndürün. Kızak çubuğu üzerindeki sabitleme pimini bırakın ve taşıyıcıyı kendinize doğru sonuna kadar çekin. Kesim kanalını, sadece bıçağın dışlarının yan yüzeylerine temas edecek şekilde ayarlayın. Ön vidaları sıkın (çok fazla sıkmayın). Taşıyıcıyı kılavuz bariyerine doğru sonuna kadar itin ve kesim kanalını, sadece bıçağın dışlarının yan yüzeylerine temas edecek şekilde ayarlayın. Arka vidaları sıkın (çok fazla sıkmayın).

Kesim kanalını ayarladıktan sonra sabitleme pimini serbest bırakıp tutamağı kaldırmın. Ardından tüm vidaları iyice sıkın.

ÖNEMLİ NOT: Eğim açısını ayarladıktan sonra kesim kanalının doğru şekilde ayarlandığından emin olun. Kesim kanalının doğru şekilde ayarlanması; iş parçasının düzgün biçimde desteklenmesini sağlayarak iş parçasının aşınmasının en aza indirgenmesine yardımcı olur.

Maksimum kesme kapasitesinin sağlanması

Bu alet fabrikada 255 mm veya 260 mm testere bıçağı için maksimum kesme kapasitesi sunacak şekilde ayarlanmıştır.

Yeni bir bıçak takarken, bıçağın alt limit pozisyonunu kontrol edin ve gerekirse, aşağıdaki gibi ayarlayın:

Önce aletin fişini prizden çekin. Durdurucu mandalını takılı konuma çevirin.

► **Şek.12:** 1. Durdurucu mandal

Taşıyıcıyı kılavuz bariyerine doğru sonuna kadar itin ve tutamağı tam olarak aşağı indirin.

Ayar civatasını altıgen anahtarla çevirerek bıçak pozisyonunu ayarlayın. Bıçağın dış kenarı dönüş kaidesinin üst yüzeyinin altına hafifçe uzanmalı ve ayrıca kılavuz bariyerinin ön yüzünün dönüş kaidesinin üst yüzeyi ile karşılaştığı noktaya gelmelidir.

► **Şek.13:** 1. Ayar civatası

► **Şek.14:** 1. Dönüş kaidesinin üst yüzeyi 2. Bıçak çevresi 3. Kılavuz bariyeri

Aleti fişten çekin ve bıçağın alt kaidenin herhangi bir parçasına dokunmadığına emin olmak için, tutamağı sürekli aşağıda tutup, bıçağı elle döndürün. Gerekirse yeniden hafifçe ayarlayın.

Ayardan sonra durdurucu mandalını daima orijinal konumuna geri alın.

UYARI: Yeni bir bıçak taktıktan sonra ve aletin fişi prize takılı değilken, tutamak tam olarak aşağı indirildiğinde bıçağın alt kaidenin herhangi bir parçasına dokunmadığına emin olun. Bıçak kaide ile temas ederse geri tepmeye neden olabilir ve ciddi yaralanmalara yol açabilir.

Durdurucu kol

Bıçağın alt limit konumu durdurucu kol ile kolayca ayarlanabilir. Ayarlamak için, durdurucu kolu şekilde gösterildiği gibi ok yönünde çevirin. Ayar vidasını, tutamak sonuna kadar indirildiğinde bıçak istenen konumda duracak şekilde çevirin.

► **Şek.15:** 1. Durdurucu kol 2. Ayar vidası

Gönye açısının ayarlanması

ADIKKAT: Gönye açısını değiştirdikten sonra, kavrama kolunu iyice sıkıştırarak dönüş kaidesini sabitleyin.

ÖNEMLİ NOT: Dönüş kaidesini çevirirken, kolu tam olarak yukarı kaldırdığınızdan emin olun.

► **Şek.16:** 1. Kilitleme kolu 2. Kavrama kolu 3. Serbest bırakma kolu 4. İşaretçi

Dönüş kaidesini açmak için kavrama kolunu saatin aksi yönünde çevirin. Dönüş kaidesini hareket ettirmek için kilitleme kolunu aşağıda tutarken kavrama kolunu çevirin. İşaretçiyi ölçek üzerinde istenen açıya hizalayarak kavrama kolunu sıkın.

NOT: Serbest bırakma koluna basarsanız kilitleme kolunu aşağıda tutmadan dönüş kaidesini hareket ettirebilirsiniz. Kavrama kolunu istenilen konumda sıkın.

Bu gönye kesme makinası pozitif durma fonksiyonu kullanır. 0°, 15°, 22,5°, 31,6°, 45° ve 60° sağ/sol gönye açısını çabucak ayarlayabilirsiniz. Bu fonksiyonu kullanmak için kilitleme kolunu aşağıda tutarken dönüş kaidesini istenilen pozitif durma açısına yaklaştıracak şekilde hareket ettirin. Daha sonra kilitleme kolunu bırakın ve dönüş kaidesini, kilitlemeye kadar ileri doğru alın.

Eğim açısının ayarlanması

ÖNEMLİ NOT: Eğim açısını ayarlamadan önce daima üst kılavuz bariyerlerini ve dikey menge-neyi çıkarın.

ÖNEMLİ NOT: Eğim açılarını değiştirirken, “Kesim kanalı” bölümünde açıklandığı üzere kesim kanalını uygun şekilde konumlandırmanızdan emin olun.

ÖNEMLİ NOT: Testere bıçağını yatırırken tutamağı tam olarak yukarı kaldırdığınızdan emin olun.

1. Kızak çubuğu üzerindeki topuzu saatin aksi yönünde çevirin.

► **Şek.17:** 1. Topuz

2. Kilitleme kolunu çekin ve şekilde gösterilen konuma çevirin.

► **Şek.18:** 1. Kilitleme kolu

3. Taşıyıcıyı hareket ettirerek işaretçiyi ölçek üzerinde istenen açıya hizalayın, ardından topuzu sıkın.

► **Şek.19:** 1. Eğim açısı ölççeği 2. İşaretçi

Taşıyıcıyı sağa yatırmak için serbest bırakma düğmesine basarak taşıyıcıyı hafif sola yatırın ve daha sonra sağa yatırın.

► **Şek.20:** 1. Serbest bırakma düğmesi

45°den büyük eğimli kesme yaparken, serbest bırakma kolunu aletin önüne doğru kaydırırken taşıyıcı hareket ettirin. 48°ye kadar eğimli kesme yapabilirsiniz.

► **Şek.21:** 1. Serbest bırakma kolu

Bu gönye kesme makinası pozitif durma fonksiyonu kullanır. 22,5° ve 33,9° açığı sağa ve sola çabucak ayarlayabilirsiniz. Kilitleme kolunu şekilde gösterilen konuma ayarlayın ve taşıyıcıyı yatırın. Açığı değiştirmek için kilitleme kolunu çekin ve taşıyıcıyı yatırın.

► **Şek.22:** 1. Kilitleme kolu

⚠DİKKAT: Eğim açısını değiştirdikten sonra, mutlaka topuzu sabitleyin.

Kaydırma kilidi

Taşıyıcının kızak hareketini kilitlemek için taşıyıcı kılavuz bariyerine doğru durana kadar itirin. Sabitleme pimini çekin ve 90° döndürün.

► **Şek.23:** 1. Açık konum 2. Kilitli konum 3. Sabitleme pimi

Anahtar işlemi

⚠UYARI: Aleti fişe takmadan önce, anahtar tetiğinin doğru şekilde çalışıp çalışmadığını ve bırakıldığında "KAPALI" konumuna dönüp dönmediğini mutlaka kontrol edin. Güvenlik kilidi düğmesine basmadan anahtar tetiği sıcak çekmeyin. Bu, anahtarın kırılmasına neden olabilir. Anahtar düzgün bir şekilde çalışmayan bir aletle işlem yapmak kontrolün kaybedilmesine ve ciddi yaralanmalara neden olabilir.

⚠UYARI: Anahtar tetiği tam olarak çalışmayan bir aleti ASLA kullanmayın. Anahtarı çalışmayan bir alet SON DERECE TEHLİKELİ'dir ve kullanıma devam edilmeden önce onarılmalıdır, aksi takdirde ciddi kişisel yaralanmalara yol açabilir.

⚠UYARI: Güvenlik kilidi düğmesini ASLA bantlayarak ya da başka bir yöntemle devre dışı bırakmaya çalışmayın. Güvenlik kilidi düğmesi devre dışı bırakılmış bir anahtar, istem dışı çalışmaya ve ciddi kişisel yaralanmalara neden olabilir.

⚠UYARI: Güvenlik kilidi düğmesine basmadan sadece anahtar tetik çekildiğinde çalışan bir aleti ASLA kullanmayın. Tamir edilmesi gereken bir anahtar, istem dışı çalışmaya ve ciddi kişisel yaralanmalara neden olabilir. Daha fazla kullanmadan ÖNCE doğru bir şekilde tamir ettirmek için aleti bir Makita servisine götürün.

► **Şek.24:** 1. Anahtar tetik 2. Güvenlik kilidi düğmesi 3. Asma kilit deliği

Anahtar tetiğinin kazara çekilmesini önlemek için, bir güvenlik kilidi düğmesi sunulmuştur. Aleti başlatmak için güvenlik kilidi düğmesine bastırın ve anahtar tetiği çekin. Durdurmak için anahtar tetiği bırakın.

Anahtar tetikte, aleti kilitlemek için bir asma kilit deliği bulunur.

⚠UYARI: Kanca ya da kablo çapı 6,35 mm (1/4")'den küçük kilitler kullanmayın. Küçük bir kanca ya da kablo, aleti tam olarak kapalı konumda kilitleyemeyebilir ve istem dışı olarak çalışma sonucu ciddi yaralanmalar oluşabilir.

Elektronik fonksiyon

Sabit devir kontrolü

Bu alette, yük altında bile sabit bıçak devir hızının sürdürülmesine yardımcı olan bir elektronik devir kontrolü bulunmaktadır. Sabit bıçak devir hızı, oldukça pürüzsüz kesim sağlar.

Hafif başlatma özelliği

Bu fonksiyon, başlama torkunu sınırlayarak aletini pürüzsüz başlamasını sağlar.

Lazer ışını işlemi

Sadece model LS1019L için

⚠DİKKAT: Lazer ışınına asla bakmayın. Direkt lazer ışını gözlerinize zarar verebilir.

Lazer ışını açmak için düğmenin üst kısmına (I) basın. Lazer ışını kapatmak için düğmenin alt kısmına (O) basın.

► **Şek.25:** 1. Lazer düğmesi

Ayar vidası aşağıdaki gibi çevrilerek lazer çizgisi testere bıçağının soluna veya sağına kaydırılabilir.

► **Şek.26:** 1. Ayar vidası

1. Ayar vidasını saatin aksi yönünde çevirerek gevşetin.
2. Ayar vidası gevşek durumda ayar vidasını sağa veya sola sonuna kadar kaydırın.
3. Ayar vidasını, kaymanın durduğu konumda iyice sıkın.

NOT: Lazer çizgisi fabrikada, bıçağın yan yüzeyinden (kesim konumu) 1 mm dahilinde konumlanacak şekilde ayarlanmıştır.

NOT: Lazer ışını doğrudan güneş ışığı nedeniyle kısık gözükür veya zor görünürse çalışma alanını daha az doğrudan güneş ışık gören bir yere taşıyın.

Lazer çizgisinin hizalanması

İş parçasının üzerindeki kesim çizgisini lazer çizgisi ile hizalayın.

► **Şek.27**

- A) İş parçasının sol tarafında doğru boyut elde etmek isterseniz lazer çizgisini bıçağın soluna kaydırın.
- B) İş parçasının sağ tarafında doğru boyut elde etmek isterseniz lazer çizgisini bıçağın sağına kaydırın.

NOT: Birleşik kesimde (eğim açısı 45° ve gönye açısı sağ 45°) kesim çizgisini lazer çizgisi ile kılavuz bariyerinin yan tarafında hizalarken ahşabı kılavuz bariyerine dayanacak şekilde kullanın.

MONTAJ

⚠UYARI: Alet üzerinde işlem yapmadan önce mutlaka aletin kapalı ve fişinin çekili olduğundan emin olun. Aletin kapatılmaması ve fişinin prizden çekilmemesi ciddi yaralanmalara neden olabilir.

Altıgen anahtarın saklanması

Kullanılmadığı zamanlarda, altıgen anahtarın kaybolmasını önlemek için anahtar şeklide gösterildiği gibi saklayın.

► **Şek.28:** 1. Altıgen anahtar

Testere bıçağının çıkarılıp takılması

⚠UYARI: Bıçağı takıp çıkarmadan önce mutlaka aletin kapalı ve fişinin çekili olduğundan emin olun. Aletin istem dışı olarak başlatılması ciddi yaralanmalara neden olabilir.

⚠UYARI: Bıçağı takmak ve çıkarmak için sadece ürüne verilen Makita anahtarını kullanın. Anahtarın kullanılmaması altıgen soket civatının aşırı derecede veya yetersiz sıkılmasına ve ciddi yaralanmalara neden olabilir.

Bıçağı çıkarıp takarken taşıyıcıyı daima kaldırılmış konumda kilitleyin. Sabitleme pimini çekin ve taşıyıcı kaldırılmış durumda 90° döndürün.

► **Şek.29:** 1. Açık konum 2. Kilitli konum 3. Sabitleme pimi

Bıçağın çıkarılması

Altıgen anahtar kullanarak orta kapağı sabitleyen altıgen soket civatayı gevşetin. Bıçak siperini ve orta kapağı kaldırın.

► **Şek.30:** 1. Orta kapak 2. Altıgen anahtar 3. Bıçak siperi

Mili kilitlemek için mil kilidine bastırın ve altıgen soket civatayı gevşetmek için altıgen anahtar kullanın. Ardından altıgen soket civatayı, dış flanş ve bıçağı çıkarın.

► **Şek.31:** 1. Mil kilidi 2. Altıgen anahtar 3. Altıgen soket civata (sol tarafta) 4. Gevşetin 5. Sıkın

Bıçağın takılması

Bıçağın yüzeyindeki okun yönünün bıçak kılıfı üzerindeki okun yönü ile aynı olduğundan emin olarak bıçağı dikkatlice mile geçirin.

► **Şek.32:** 1. Bıçak kılıfı üzerindeki ok 2. Bıçak üzerindeki ok

Dış flanş ve altıgen soket civatayı takın. Mil kilidine bastırarak, altıgen soket civatayı altıgen anahtarla saatin aksi yönde sıkın.

► **Şek.33:** 1. Altıgen soket civata 2. Dış flanş 3. Testere bıçağı 4. İç flanş 5. İğ 6. Bilezik

ÖNEMLİ NOT: İç flanş çıkartılırsa, çıkıntılı yüzü bıçaktan uzağa bakacak şekilde mile mutlaka takın. Flanş yanlış takılırsa makineye sürtünür.

Bıçak siperini ve orta kapağı orijinal yerlerine takın. Ardından orta kapağı sabitlemek için altıgen soket civatayı saat yönünde çevirerek sıkın. Taşıyıcıyı kaldırılmış konumdan serbest bırakmak için sabitleme pimini açın. Bıçak siperinin düzgün şekilde hareket ettiğinden emin olmak için tutamağı indirin. Kesim yapmadan önce mil kilidinin mil serbest bıraktığından emin olun.

⚠UYARI: Bıçağı mile takmadan önce daima iç ve dış flanş arasında kullanmayı düşündüğünüz bıçağın mil deliği için doğru bileziğin monte edildiğinden emin olun. Hatalı mil deliği bileziğinin kullanılması bıçağın uygun olmayan şekilde takılarak bıçağın oynamasına ve ciddi titreşime yol açmak suretiyle çalışma sırasında muhtemel kontrol kaybı ve ciddi yaralanmalara neden olabilir.

Bir elektrikli süpürgenin bağlanması

Temiz kesim işlemi yapmak isterseniz ön rakor 24 (isteğe bağlı aksesuar) kullanarak toz ağızlığına bir Makita elektrik süpürgesi bağlayın.

► **Şek.34:** 1. Ön rakor 24 2. Hortum 3. Elektrik süpürgesi

Toz torbası

Toz torbası kullanımı, kesim işlemlerinin temiz, toz toplanmanın da kolay bir şekilde yapılmasını sağlar. Toz torbasını takmak için aletin üzerindeki toz çekme hortumunu çıkarın ve toz torbasını bağlayın.

► **Şek.35:** 1. Toz çekme hortumu 2. Toz torbası

Toz torbasının yarısı dolduğunda toz torbasını aletten ayırın ve bağlama elemanını çekip çıkarın. Toz torbasının içine yapılan ve daha fazla toplama yapılmasını engelleyebilecek olan parçacıkların çıkması için torbaya hafifçe vurarak içindekileri boşaltın.

► **Şek.36:** 1. Bağlama elemanı

İş parçasının sabitlemesi

⚠UYARI: İş parçasını daima doğru tip mengene veya kartonpiyer sabitleyici kullanarak sabitlemek oldukça önemlidir. Aksi takdirde ciddi yaralanmalar, alet ve/veya iş parçası üzerinde hasar oluşabilir.

⚠UYARI: Bir kesme işleminden sonra bıçak tam olarak durmadan önce bıçağı kaldırmayın. Boşta dönen bıçağın kalkması ciddi yaralanmalara ve iş parçasının zarar görmesine neden olabilir.

⚠UYARI: Testerenin destek kaidesinden daha uzun bir iş parçasını keserken, destek kaidesinin dışında kalan kısmın tamamının desteklendiğinden ve malzemeyi düz tutmak ile aynı yüksekliğin korunduğundan emin olun. İş parçasının doğru şekilde desteklenmesi bıçağın sıkışmasının ve yaralanmayla sonuçlanabileceği olası geri tepmelerin önlenmesine yardımcı olur. İş parçasını sabitlemek için sadece dikey ve/veya yatay mengene yeterli olmayabilir. İnce malzemeler eğilebilir. Bıçağın sıkışmasını ve olası bir GERİ TEPMEYİ önlemek için iş parçasının tüm uzunluğu boyunca desteklendiğinden emin olun.

► **Şek.37:** 1. Destek 2. Dönüş kaidesi

Kılavuz bariyerleri

⚠UYARI: Alet kullanmadan önce üst bariyerin iyice sabitlendiğinden emin olun.

⚠UYARI: Eğimli kesim yapmadan önce aletin hiçbir parçasının, özellikle bıçağın, tutamağı her durumda tam aşağı ve yukarı kaldırmak ve taşıyıcıyı tüm hareket aralığı boyunca hareket ettirirken üst ve alt bariyerlere temas etmediğinden emin olun. Alet veya bıçak bariyere temas ederse bu, geri tepmeye veya malzemenin beklenmedik hareketine ve ciddi yaralanmalara neden olabilir.

Alt bariyerlerden yüksek malzemeyi desteklemek için üst bariyerleri kullanın. Üst bariyeri alt bariyer üzerindeki deliğe sokun ve sabitleme vidasını sıkın.

► **Şek.38:** 1. Üst bariyer 2. Alt bariyer 3. Sabitleme vidası 4. Ayar vidası

ÖNEMLİ NOT: Alt bariyerler fabrikada kaideye sabitlenmiştir. Alt bariyerleri çıkarmayın.

ÖNEMLİ NOT: Sabitleme vidası sıkıldıktan sonra üst bariyer hala gevşek ise ayar vidasını çevirerek boşluğu kapatın. Ayar vidası fabrikada ayarlanmıştır. Gerekmedikçe kullanmanız gerekmez.

Kullanılmadığı durumlarda üst bariyerleri tutucuda saklayabilirsiniz. Tutucuya tutturmak için üst bariyer üzerindeki kelepçeyi kullanın.

► **Şek.39:** 1. Tutucu 2. Üst bariyer 3. Kelepçe

Dikey vida

⚠UYARI: Tüm işlemler sırasında iş parçası dönüş kaidesine ve kılavuz bariyerine mengene ile sıkıca sabitlenmelidir. İş parçası bariyere dayanacak şekilde düzgün sabitlenmezse malzeme kesim işlemi sırasında hareket ederek bıçağın zarar görmesine, malzemenin fırlatılmasına ve kontrol kaybına neden olmak suretiyle ciddi yaralanmalara yol açabilir.

► **Şek.40:** 1. Mengene kolu 2. Mengene rodu 3. Sabitleme vidası 4. Mengene topuzu

Dikey mengene iki konumda, kaidenin sol veya sağ tarafına monte edilebilir. Mengene rodunu kaidedeki deliğe sokun.

Mengene kolunu iş parçasının kalınlığına ve şekline göre konumlandırın ve vidayı sıkarak mengene kolunu sabitleyin. Sabitleme vidası taşıyıcıya temas ediyorsa mengene kolunun diğer tarafına takın. Tutamağı tam olarak aşağı indirdiğinizde aletin hiçbir parçasının mengeneyle temas etmediğinden emin olun. Bazı parçalar mengeneyle temas ederse mengeneyi yeniden konumlandırın.

İş parçasını kılavuz bariyere tam olarak bastırın ve kaideli döndürün. İş parçasını istenen kesim konumunda konumlandırın ve vidalı topuz ile sıkıştırarak sabitleyin.

NOT: İş parçasının hızlı ayarlanması için mengene topuzunun 90° saatin aksi yönünde döndürülmesi mengene topuzunun yukarı ve aşağı alınmasına imkan tanır. Ayarladıktan sonra iş parçasını sabitlemek için mengene topuzunu saat yönünde döndürün.

Yatay mengene

İsteğe bağlı aksesuar

⚠UYARI: Mengene somununu saat yönünde, daima iş parçası düzgün bir şekilde sabitlenene kadar döndürün. İş parçası düzgün sabitlenmezse malzeme kesim işlemi sırasında hareket ederek bıçağın zarar görmesine, malzemenin fırlatılmasına ve kontrol kaybına neden olmak suretiyle ciddi yaralanmalara yol açabilir.

⚠UYARI: Süpürgelik gibi ince bir iş parçasını bariyeri dayayarak keserken daima yatay mengene kullanın.

Yatay mengene iki konumda, kaidenin sol veya sağ tarafına monte edilebilir. 22,5° veya daha büyük gönye kesimleri yaparken yatay mengeneyle, dönüş kaidesinin çevirdiği yönün aksi tarafına takın.

► **Şek.41:** 1. Mengene plakası 2. Mengene somunu 3. Mengene topuzu

Mengene somunu saatin aksi yönünde çevrilerek mengene serbest kalır ve hızlı bir şekilde içeri ve dışarı alınabilir.

İş parçasını kavramak için mengene plakası iş parçasına temas edene kadar mengene topuzunu ileri itirin ve mengene somununu saat yönünde çevirin. İş parçasını sabitlemek için mengene topuzunu saat yönünde çevirin.

NOT: Yatay mengene ile sabitlenebilecek maksimum iş parçası genişliği 228 mm'dir.

Tutucular

⚠UYARI: Doğru bir kesim ve alet kontrolünün kaybedilmesi tehlikesini önlemek için uzun iş parçalarını daima dönüş kaidesinin üst yüzeyi ile aynı hizada olacak şekilde destekleyin. İş parçasının doğru şekilde desteklenmesi bıçağın sıkışmasını ve yaralanmayla sonuçlanabilecek olası geri tepmele- rin önlenmesine yardımcı olur.

Uzun iş parçalarını yatay olarak tutmak için aletin her iki tarafında tutucular sağlanmıştır. İş parçasını tutmak için vidaları gevşetin ve tutucuları uygun boyda uzatın. Ardından vidaları sıkın.

► **Şek.42:** 1. Tutucu 2. Vida

KULLANIM

⚠UYARI: Anahtar açılmadan önce bıçağın iş parçasına veya başka bir yere temas etmediğinden emin olun. Bıçak iş parçasına temas ederken alet çalıştırılırsa geri tepme ya da ciddi yaralanmalar oluşabilir.

⚠UYARI: Bir kesme işleminden sonra bıçak tam olarak durmadan önce bıçağı kaldırmayın. Boşta dönen bıçağın kalkması ciddi kişisel yaralanmalara ve iş parçasına zarar gelmesine neden olabilir.

⚠UYARI: Bıçak dönerken alet üzerindeki kavrama kolunun, topuzun veya kolların döndürülmesi gibi hiçbir ayar yapmayın. Bıçak dönerken ayar yapılması ciddi yaralanmalara neden olabilir.

ÖNEMLİ NOT: Kullanmadan önce mutlaka sabitleme pimini açın ve tutamağı alt konumdan serbest bırakın.

ÖNEMLİ NOT: Kesim sırasında tutamağı aşırı basınç uygulamayın. Fazla güç kullanılması motorun aşırı yüklenmesine ve/veya kesim etkinliğinin düşmesine neden olabilir. Yumuşak bir kesim ve bıçak hızında önemli bir düşüş yaşanmaması için tutamağı sadece gereken oranda bir güçle aşağı doğru bastırın.

ÖNEMLİ NOT: Kesimi gerçekleştirmek için tutamağı hafifçe bastırın. Tutamağı güç kullanılarak basılırsa veya yatay güç uygulanırsa, bıçak titreşebilir ve iş parçasında bir iz (testere izi) bırakabilir, kesimin hassasiyeti zarar görebilir.

ÖNEMLİ NOT: Kızaklı kesme sırasında, taşıyıcıyı durdurmadan kılavuz bariyerine doğru hafifçe itin. Kesim sırasında taşıyıcı hareketi durdurulursa, iş parçasında bir iz kalır ve kesimin hassasiyeti zarar görür.

Kalıp kesme

UYARI: Kalıp kesme yaparken taşıyıcının kızak hareketini mutlaka kilitleyin. Kilitlemeden kesim yapmak ciddi yaralanmalarla sonuçlanabilecek geri tepmelere neden olabilir.

İş parçaları 68 mm yüksekliği ve 160 mm genişliği aşmıyorsa, aşağıdaki yöntemle kesilebilirler.

► **Şek.43:** 1. Sabitleme pimi

1. Taşıyıcıyı kılavuz bariyerine doğru, durana kadar itin ve sabitleme pimi ile kilitleyin.
2. İş parçasını uygun tipteki vidayla sabitleyin.
3. Bıçak hiçbir şeyle temas etmeyecek konumdayken aleti çalıştırın ve bıçağı indirmeden önce tam hıza ulaşmasını bekleyin.
4. İş parçasını kesmek için bıçağı yavaşça en alt konuma indirin.
5. Kesim tamamlandığında, aleti kapatın ve **bıçağı en üst konuma döndürmeden önce** bıçak tam olarak durana kadar bekleyin.

Kızaklı (itmeli) kesme (geniş iş parçalarını kesme)

UYARI: Kızaklı kesme yaparken, önce taşıyıcıyı tamamen kendinize doğru çekin ve kola bastırın, ardından taşıyıcıyı kılavuz bariyeri boyunca itin. Taşıyıcı tamamen size doğru çekilmeden kesimi asla başlatmayın. Taşıyıcıyı tamamen kendinize doğru çekmeden kızaklı kesme yaparsanız beklenmeyen bir geri tepme meydana gelebilir ve ciddi kişisel yaralanmalar yaşanabilir.

UYARI: Kızaklı bir kesim yaparken taşıyıcıyı kendinize doğru çekmeye asla çalışmayın. Kesim sırasında taşıyıcıyı kendinize doğru çekmek beklenmeyen bir geri tepmeye ve ciddi kişisel yaralanmalara yol açabilir.

UYARI: Tutamak alt konumda kilittli iken asla kızaklı kesim yapmayın.

► **Şek.44:** 1. Sabitleme pimi

1. Sabitleme pimini açarak taşıyıcının serbestçe kaymasına izin verin.
2. İş parçasını uygun tipteki vidayla sabitleyin.
3. Taşıyıcıyı tamamen kendinize doğru çekin.
4. Bıçak hiçbir şeyle temas etmeyecek konumdayken aleti çalıştırın ve bıçağın tam hıza ulaşmasını bekleyin.
5. Tutamağı bastırın ve **taşıyıcıyı kılavuz bariyeri boyunca ve iş parçasına doğru itin.**
6. Kesim tamamlandığında, aleti kapatın ve **bıçağı en üst konuma döndürmeden önce** bıçak tam olarak durana kadar bekleyin.

Gönye kesme

Önceki sayfalarda yer verilen “Gönye açısının ayarlanması” bölümüne bakın.

Eğimli kesim

UYARI: Bıçağı eğimli bir kesim için ayarladıktan sonra, aleti kullanmadan önce, taşıyıcının ve bıçağın kesilmek istenen alan boyunca serbest bir şekilde hareket ettiğinden emin olun. Kesme işlemi sırasında taşıyıcının ya da bıçağın çalışmasının kesintiye uğraması geri tepmeye ve ciddi yaralanmalara neden olabilir.

UYARI: Eğimli bir kesim yaparken ellerinizi bıçağın izlediği yoldan uzakta tutun. Bıçağın açısı operatörün bıçağın kesim işlemi sırasında izleyeceği yol konusunda yanılmasına yol açabilir ve bıçakla temas ciddi kişisel yaralanmalara neden olur.

UYARI: Bıçak tamamen durmadan yukarı kaldırılmamalıdır. Eğimli bir kesim sırasında kesilen parça bıçağın önüne gelebilir. Bıçak dönerken yukarı kaldırılırsa kesilen parça bıçaktan çıkabilir ve malzemenin parçalanarak ciddi yaralanmalara yol açmasına neden olabilir.

ÖNEMLİ NOT: Tutamağı aşağı bastırırken bıçak ile paralel bir basınç uygulayın. Dönüş kaidesine dik olarak basınç uygulanırsa ya da kesim sırasında basıncın yönü değiştirilirse, kesimin hassasiyeti zarar görür.

► **Şek.45**

1. Taşıyıcıyı yatıracacağınız taraftaki bariyeri çıkarın.
2. Sabitleme pimini açın.
3. Eğim açısını, “Eğim açısının ayarlanması” kısmında anlatılan prosedüre göre ayarlayın. Ardından topuzu sıkın.
4. İş parçasını bir mengene ile sabitleyin.
5. Taşıyıcıyı tamamen kendinize doğru çekin.
6. Bıçak hiçbir şeyle temas etmeyecek konumdayken aleti çalıştırın ve bıçağın tam hıza ulaşmasını bekleyin.
7. Bıçakla paralel olarak basınç uygulayarak tutamağı hafifçe en alt konuma indirin ve **iş parçasını kesmek için taşıyıcıyı kılavuz bariyeri boyunca itin.**
8. Kesim tamamlandığında, aleti kapatın ve **bıçağı en üst konuma döndürmeden önce** bıçak tam olarak durana kadar bekleyin.

Birleşik kesme

Birleşik kesme, bir iş parçası üzerinde gönye açısı ile kesme yapılırken aynı anda eğimli açılı yapılması işlemidir. Birleşik kesme, tabloda gösterilen açılarda gerçekleştirilebilir.

| Gönye açısı | Eğim açısı |
|---------------------|---------------------|
| Sol ve Sağ 0° - 45° | Sol ve Sağ 0° - 45° |

Birleşik kesme yaparken, "Kalıp kesme", "Kızaklı (itmeli) kesme", "Gönye kesme" ve "Eğimli kesim" başlıklarında verilen açıklamalara başvurun.

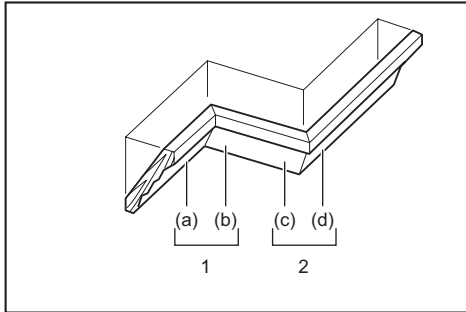
Kartonpiyer ve iç bükey kartonpiyer kesme

Kartonpiyer ve iç bükey kartonpiyerler birleşik bir gönye kesme makinasında dönüş kaidesinin üzerine düz yatırılarak kesilebilir.

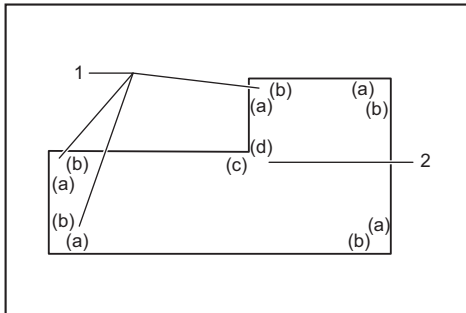
Yaygın olarak kullanılan iki tip kartonpiyer, bir tip de içbükey kartonpiyer uygulaması vardır. Bunlar; 52/38° duvar açılı kartonpiyer, 45° duvar açılı kartonpiyer ve 45° duvar açılı içbükey kartonpiyer.

► **Şek.46:** 1. 52/38° kartonpiyer 2. 45° kartonpiyer 3. 45° içbükey kartonpiyer

"İç" 90° köşelere uyan (şekilde (a) ve (b)) ve "Dış" 90° köşelere uyan (şekilde (c) ve (d)) kartonpiyer ve içbükey kartonpiyer bağlantıları bulunur.



1. İç köşe 2. Dış köşe



1. İç köşe 2. Dış köşe

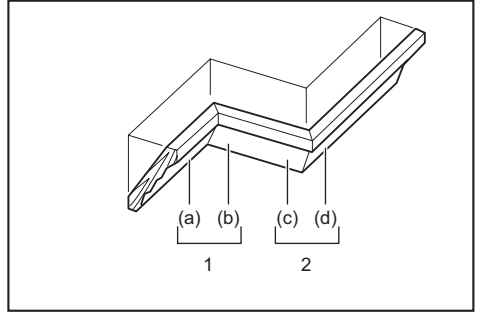
Ölçüm

Duvar genişliğini ölçün ve iş parçasını genişliğe göre ayarlayın. İş parçasının duvara temas eden kenarının genişliğinin duvarın uzunluğu ile aynı olduğundan emin olun.

► **Şek.47:** 1. İş parçası 2. Duvar genişliği 3. İş parçasının genişliği 4. Duvara temas eden kenar

Testere açısını kontrol etmek için deneme kesimleri yapmak üzere mutlaka birkaç parça kullanın. Dış bükey ve iç bükey kartonpiyer kesimleri sırasında, eğim açısını ve gönye açısını tablo (A)'da gösterildiği gibi ayarlayın ve kartonpiyerleri tablo (B)'de gösterildiği gibi testere kaidesinin üst yüzeyine konumlandırın.

Sola eğimli kesimlerde



1. İç köşe 2. Dış köşe

Tablo (A)

| - | Şekildeki kartonpiyer konumu | Eğim açısı | | Gönye açısı | |
|---------------|------------------------------|-------------|----------|-------------|-----------|
| | | 52/38° tipi | 45° tipi | 52/38° tipi | 45° tipi |
| İç köşe için | (a) | Sol 33,9° | Sol 30° | Sağ 31,6° | Sağ 35,3° |
| | (b) | | | Sol 31,6° | Sol 35,3° |
| Dış köşe için | (c) | | | Sağ 31,6° | Sağ 35,3° |
| | (d) | | | Sağ 31,6° | Sağ 35,3° |

Tablo (B)

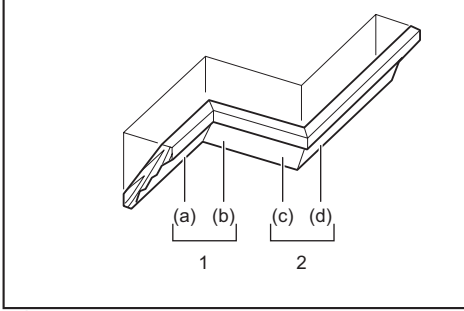
| - | Şekildeki kartonpiyer konumu | Kılavuz bariyerinin karşısındaki kartonpiyer kenarı | Tamamlanmış parça |
|---------------|------------------------------|--|--|
| İç köşe için | (a) | Tavana temas edecek kenar kılavuz bariyerine dayanmalıdır. | Bitirilen parça bıçağın Sol tarafında yer alacaktır. |
| | (b) | Tavana temas edecek kenar kılavuz bariyerine dayanmalıdır. | |
| Dış köşe için | (c) | Tavana temas edecek kenar kılavuz bariyerine dayanmalıdır. | Bitirilen parça bıçağın Sağ tarafında yer alacaktır. |
| | (d) | Tavana temas edecek kenar kılavuz bariyerine dayanmalıdır. | |

Örneğin:

Yukarıdaki şekilde (a) ile gösterilen konum için 52/38° dış büyük kartonpiyer keserken:

- Eğim açısı ayarını 33,9° SOLA eğin ve ayarlayın.
- Gönye açısı ayarını 31,6° SAĞA ayarlayıp sabitleyin.
- Dış büyük kartonpiyeri geniş arka (görünmeyen) yüzeyi dönüş kaidesinin üzerine, TAVANA TEMAS EDECEK KENARI makine üzerindeki kılavuz bariyerine dayanacak şekilde yerleştirin.
- Kesim yapıldıktan sonra kullanılacak parçalardan biten kısım her zaman bıçağın SOL tarafında olacak.

Sağa eğimli kesimlerde



1. İç köşe 2. Dış köşe

Tablo (A)

| - | Şekildeki kartonpiyer konumu | Eğim açısı | | Gönye açısı | |
|---------------|------------------------------|-------------|----------|-------------|-----------|
| | | 52/38° tipi | 45° tipi | 52/38° tipi | 45° tipi |
| İç köşe için | (a) | Sağ 33,9° | Sağ 30° | Sağ 31,6° | Sağ 35,3° |
| | (b) | | | Sol 31,6° | Sol 35,3° |
| Dış köşe için | (c) | | | Sağ 31,6° | Sağ 35,3° |
| | (d) | | | | |

Tablo (B)

| - | Şekildeki kartonpiyer konumu | Kılavuz bariyerinin karşısındaki kartonpiyer kenarı | Tamamlanmış parça |
|---------------|------------------------------|---|--|
| İç köşe için | (a) | Duvara temas edecek kenar, kılavuz bariyerine dayanmalıdır. | Bitirilen parça bıçağın Sağ tarafında yer alacaktır. |
| | (b) | Tavana temas edecek kenar, kılavuz bariyerine dayanmalıdır. | |
| Dış köşe için | (c) | Duvara temas edecek kenar, kılavuz bariyerine dayanmalıdır. | Bitirilen parça bıçağın Sol tarafında yer alacaktır. |
| | (d) | Duvara temas edecek kenar, kılavuz bariyerine dayanmalıdır. | |

Örneğin:

Yukarıdaki şekilde (a) ile gösterilen konum için 52/38° dış büyük kartonpiyer keserken:

- Yatırın ve eğim açısı ayarını 33,9° SAĞA ayarlayın.
- Gönye açısı ayarını 31,6° SAĞA ayarlayıp sabitleyin.
- Kartonpiyeri geniş arka (görünmeyen) yüzeyi dönüş kaidesinin üzerine, DUVARA TEMAS EDECEK KENARI makine üzerindeki kılavuz bariyerine dayanacak şekilde yerleştirin.
- Kesim yapıldıktan sonra kullanılacak parçalardan biten kısım her zaman bıçağın SAĞ tarafında olacaktır.

Kartonpiyer sabitleyici

İsteğe bağlı aksesuar

Kartonpiyer sabitleyiciler, testere bıçağını yatırmadan kartonpiyerin daha kolay kesilmesi sağlar. Bunları şekilde gösterildiği gibi dönüş kaidesine takın.

Sağ 45° gönye açısında

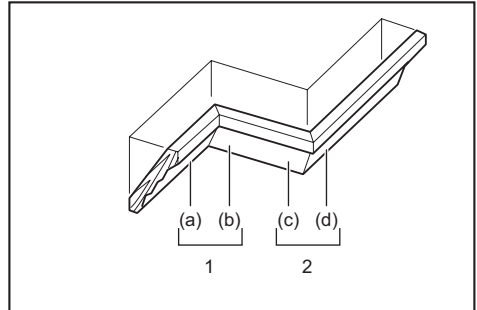
► **Şek.48:** 1. Kartonpiyer sabitleyici Sol 2. Kartonpiyer sabitleyici Sağ 3. Dönüş kaidesi 4. Kılavuz bariyeri

Sol 45° gönye açısında

► **Şek.49:** 1. Kartonpiyer sabitleyici Sol 2. Kartonpiyer sabitleyici Sağ 3. Dönüş kaidesi 4. Kılavuz bariyeri

Kartonpiyeri, DUVARA TEMAS EDECEK KENARI kılavuz bariyerine ve TAVANA TEMAS EDECEK KENARI kartonpiyer sabitleyicilere dayanacak şekilde, şekilde gösterildiği gibi yerleştirin. Kartonpiyer sabitleyicileri kartonpiyer boyutuna göre ayarlayın. Kartonpiyer sabitleyicileri sabitlemek için vidaları sıkın. Gönye açısı için tablo (C)'ye bakın.

► **Şek.50:** 1. Kılavuz bariyeri 2. Kartonpiyer sabitleyici



1. İç köşe 2. Dış köşe

Tablo (C)

| – | Şekildeki kartonpiyer konumu | Gönye açısı | Tamamlanmış parça |
|---------------|------------------------------|-------------|-------------------------------|
| İç köşe için | (a) | Sağ 45° | Bıçağın sağ tarafını saklayın |
| | (b) | Sol 45° | Bıçağın sol tarafını saklayın |
| Dış köşe için | (c) | | Bıçağın sağ tarafını saklayın |
| | (d) | Sağ 45° | Bıçağın sol tarafını saklayın |

Alüminyum doğramanın kesilmesi

- **Şek.51:** 1. Vida 2. Ara blok 3. Kılavuz bariyeri
4. Alüminyum doğrama 5. Ara blok

Alüminyum doğramaları sabitlerken, alüminyumun deforme olmasını önlemek için ara blokları veya hurda parçalarını kullanın. Bıçak üzerinde alüminyum malzeme birikmesini önlemek için alüminyum doğramayı keserken bir kesim yağı kullanın.

UYARI: Kalın veya yuvarlak alüminyum doğramaları asla kesmeye çalışmayın. Kalın veya yuvarlak alüminyum doğramaların sabitlenmesi zor olabilir ve kesme işlemi sırasında gevşeyerek kontrolün kaybedilmesine ve ciddi yaralanmalara sebep olabilir.

Oluk açma

UYARI: Bu tip kesimleri, daha geniş bıçaklar ya da dado bıçaklar kullanarak gerçekleştirmeye çalışmayın. Daha geniş bir bıçakla ya da dado bıçakla oluk açmaya çalışmak beklenmeyen kesim sonuçlarına ve ciddi kişisel yaralanmalara yol açabilecek geri tepmelere neden olabilir.

UYARI: Oluk açma dışındaki işlemler sırasında durdurucu kolu orijinal konumuna döndürdüğünüzden emin olun. Durdurucu kol yanlış konumdayken kesim yapmaya çalışmak beklenmeyen kesim sonuçlarına ve ciddi kişisel yaralanmalara yol açabilecek geri tepmelere neden olabilir.

Dado kesim yapmak için aşağıdaki prosedürü izleyin:

1. Ayar vidasını kullanarak bıçağın alt limit pozisyonunu ve bıçağın kesim derinliğini kısıtlamak için durdurucu kolu ayarlayın. Önceki sayfalarda yer verilen "Durdurucu kol" bölümüne bakın.
 2. Bıçağın alt limit konumunu ayarladıktan sonra, kızaklı (itmeli) kesim kullanarak iş parçasının eni boyunca paralel oluklar açın.
- **Şek.52:** 1. Bıçakla oluk kesme
3. Oluklar arasındaki iş parçası malzemelerini bir keski ile kaldırın.

Aletin taşınması

Taşımadan önce gönye kesme makinasının fişinin prizden çekildiğinden ve tüm hareketli parçalarının sabitlendiğinden emin olun. Mutlaka aşağıdakileri kontrol edin:

- Aletin fişi prizden çekilmiş.
- Taşıyıcı 0° eğim açısı konumunda ve sabitlenmiş.
- Taşıyıcı indirilmiş ve kilitlemiş.
- Taşıyıcı kılavuz bariyerine tam olarak kaydırılmış ve kilitle.
- Dönüş kaidesi tam sağ gönye açısı konumunda ve sabitlenmiş.
- Tutucular saklanmış ve sabitlenmiş.

Aleti, şekilde gösterildiği gibi alet kaidesinin her iki yanından tutarak taşıyın.

► **Şek.53**

UYARI: Taşıyıcı yüksekliği için olan sabitleme pimi sadece taşıma ve saklama amacıyla kullanılmalı, hiçbir kesim işlemi sırasında kullanılmamalıdır. Kesim işlemleri sırasında sabitleme piminin kullanılması testere bıçağının beklenmedik şekilde hareket etmesine, bu da geri tepme ya da ciddi yaralanmalara yol açabilir.

DİKKAT: Alet taşımadan önce hareket eden tüm parçaları sabitleyin. Aletin kısımları taşıma sırasında hareket eder ya da kayarsa, kontrolün ya da dengeyin kaybedilmesi sonucu ciddi yaralanmalar yaşanabilir.

BAKIM

UYARI: Alet üzerinde kontrol veya bakım işlemlerine başlamadan önce mutlaka aletin kapalı ve fişinin çekili olduğundan emin olun. Aletin fişinin prizden çekilmemesi ve kapatılmaması aletin kazara çalışarak ciddi yaralanmalara neden olabilir.

UYARI: En iyi ve en güvenli performans için bıçağın daima temiz ve keskin olduğundan emin olun. Kır ve/veya kirliliği bir bıçakla kesim yapmaya çalışmak, geri tepmeye yol açabilir ya da ciddi kişisel yaralanmalarla sonuçlanabilir.

ÖNEMLİ NOT: Benzin, tiner, alkol ve benzeri maddeleri kesinlikle kullanmayın. Renk değişimi, deformasyon veya çatlaklar oluşabilir.

Kesim açısının ayarlanması

Bu alet fabrikada dikkatli bir şekilde ayarlanmış ve hizalanmıştır fakat kötü bir şekilde taşımak hizalamayı bozabilir. Aletinizi doğru bir şekilde hizalanmamışsa aşağıdakileri gerçekleştirin:

Gönye açısı

Tutamağı tam aşağı indirin ve sabitleme pimi ile alt konumda kilitleyin. Taşıyıcıyı kılavuz bariyerine doğru ittirin. Kavrama kolunu ve işaretçiyi ve gönye açısı ölçeğini sabitleyen vidaları gevşetin.

- **Şek.54:** 1. İşaretçi üzerindeki vida 2. Gönye açısı ölçüğü üzerindeki vidalar 3. Gönye açısı ölçüğü

Dönüş kaidesini, pozitif durma fonksiyonunu kullanarak 0° konumuna ayarlayın. Üçgen cetvel veya ayarlı gönye kullanarak bıçağın yan yüzeyini kılavuz bariyerin yüzeyine dik duruma getirin. Gönyeyi tutarken gönye açısı ölçüğü üzerindeki vidaları sıkın. Bundan sonra işaretçileri (sağ ve sol) gönye açısı ölçüğindeki 0° konumu ile hizalayın ve daha sonra işaretçi üzerindeki vidayı sıkın.

- **Şek.55:** 1. Üçgen cetvel

Eğim açısı

0° eğim açısı

Taşıyıcıyı kılavuz bariyerine doğru itin ve kızak hareketini sabitleme pimi ile kilitleyin. Tutamağı tam aşağı indirin ve sabitleme pimi ile alt konumda kilitleyin ve daha sonra topuzu gevşetin. 0° ayar civatasını saatin aksi yönünde iki veya üç tur çevirerek bıçağı sağa yatırın.

- **Şek.56:** 1. 0° ayar civatası 2. Vida

Üçgen cetvel veya ayarlı gönye kullanarak, 0° ayar civatasını saat yönünde çevirmek suretiyle dönüş kaidesinin üst yüzeyini bıçağın yan yüzeyi ile dikkatli bir şekilde dik duruma getirin. Ardından, ayarladığınız 0° açısını sabitlemek için topuzu iyice sıkın.

- **Şek.57:** 1. Üçgen cetvel 2. Testere bıçağı 3. Dönüş kaidesinin üst yüzeyi

Bıçağın yan yüzeyinin dönüş kaidesi yüzeyi ile dik olup olmadığını bir kez daha kontrol edin. İşaretçi üzerindeki vidayı gevşetin. İşaretçiyi eğim açısı ölçüğündeki 0° konumu ile hizalayarak vidayı sıkın.

45° eğim açısı

ÖNEMLİ NOT: 45° eğim açısını ayarlamadan önce 0° eğim açısı ayarını tamamlayın.

Topuzu gevşetin ve taşıyıcıyı kontrol etmek istediğiniz tarafa tam olarak yatırın. İşaretçinin eğim açısı ölçüğünde 45° konumunu gösterip göstermediğini kontrol edin.

- **Şek.58**

İşaretçi 45° konumunu göstermiyorsa, eğim açısı ölçüğünün öbür tarafındaki ayar civatasını çevirerek 45° konumuyla hizalayın.

- **Şek.59:** 1. Sol 45° ayar civatası 2. Sağ 45° ayar civatası

Lazer çizgisi konumunun ayarlanması

Sadece model LS1019L için

UYARI: Lazer çizgisini ayarlarken aletin fişini prize takılı olması gerekir. Ayar sırasında aleti açmamak için dikkatli olun. Aletin istem dışı olarak başlatılması ciddi yaralanmalara neden olabilir.

DİKKAT: Lazer ışınına doğrudan asla bakmayın. Gözün doğrudan ışığa maruz kalması gözlerinizin ciddi hasar görmesine neden olabilir.

ÖNEMLİ NOT: Doğruluk için lazer çizgisinin konumunu düzenli olarak kontrol edin.

ÖNEMLİ NOT: Alet üzerindeki etkilerinin farkında olun. Lazer çizgisinin hatalı hizalanmasına neden olabilir veya lazere hasar vererek ömrünün kısılmasına yol açabilir.

ÖNEMLİ NOT: Lazer ünitesinin tüm arızaları için aletinizi Makita yetkili servisine tamir ettirin.

Lazer çizgisinin hareketli aralığı her iki taraftaki aralık ayar vidalarıyla belirlenir. Lazer çizgisi konumunu değiştirmek için aşağıdaki işlemleri uygulayın.

1. Aletin fişini prizden çekin.
2. İş parçasının üzerine bir kesim çizgisi çizin ve dönüş kaidesinin üzerine yerleştirin. O anda iş parçasını mengene veya benzer bir sabitleme donanımı ile sabitlemeyin.
3. Tutamağı indirin ve kesim çizgisini testere bıçağı ile hizalayın.
4. Tutamağı orijinal konumuna döndürün ve iş parçası belirlediğiniz konumdan oynamayacak şekilde iş parçasını dikey mengene ile sabitleyin.
5. Aletin fişini prize takın ve lazer düğmesini açın.
6. Ayar vidasını gevşetin. Lazer çizgisini bıçaktan uzaklaştırmak için aralık ayar vidalarını saatin aksi yönünde çevirin. Lazer çizgisini bıçağı yakınlıktırarak için aralık ayar vidalarını saat yönünde çevirin.

Lazer çizgisinin bıçağın sol tarafına ayarlanması

- **Şek.60:** 1. Ayar vidası 2. Aralık ayar vidası 3. Altıgen anahtar 4. Lazer çizgisi 5. Testere bıçağı

Lazer çizgisinin bıçağın sağ tarafına ayarlanması

- **Şek.61:** 1. Ayar vidası 2. Aralık ayar vidası 3. Altıgen anahtar 4. Lazer çizgisi 5. Testere bıçağı

7. Ayar vidasını, lazer çizgisi kesim çizgisinin üzerine gelecek konuma kaydırın ve sıkın.

NOT: Lazer çizgisinin hareketli aralığı, bıçağın yan yüzeyinden 1 mm (0,04") dahilinde olacak şekilde fabrikada ayarlanmıştır.

Lazer ışığı lensinin temizlenmesi

Sadece model LS1019L için

Lazer ışığı lensi kirlendiğinden lazer ışığının görülmesi zorlaşır. Lazer ışığı lensini düzenli olarak temizleyin.

- **Şek.62:** 1. Vida 2. Lens

Aletin fişini prizden çekin. Vidayı gevşetin ve lensi dışarı çekin. Lens nemli yumuşak bir bezle hafifçe silin.

ÖNEMLİ NOT: Lensi sabitleyen vidayı sökmeyin. Lens dışarı gelmezse vidayı daha fazla gevşeyin.

ÖNEMLİ NOT: Lens üzerinde solvent veya petrol bazlı temizlik maddesi kullanmayın.

Karbon fırçaların değişmesi

► Şek.63: 1. Limit işareti

Karbon fırçaları düzenli olarak sökerek kontrol edin. Limit işaretine kadar aşındıklarında değiştirin. Karbon fırçaların temiz ve tutucuları içinde serbestçe kayar durumda kalmalarını sağlayın. Her iki karbon fırça aynı anda değiştirilmelidir. Sadece aynı karbon fırçaları kullanın.

Fırça tutucu kapaklarını çıkarmak için bir tornavida kullanın. Aşınmış karbon fırçalarını dışarı çıkarın, yerlerine yenilerini geçirin ve fırça tutucu kapaklarını sıkıca takın.

► Şek.64: 1. Fırça tutucu kapağı

Fırçaları değiştirdikten sonra aletin fişini prize takın ve aleti yüksüz yaklaşık 10 dakika çalıştırarak fırçaları alıştıirin. Daha sonra alet çalışırken ve anahtar tetiği bırakıldığında elektrikli frenin çalışmasını kontrol edin. Elektrikli fren düzgün çalışmıyorsa aleti Makita servisine tamir ettirin.

Kullanımdan sonra

Kullanımdan sonra, parçacıkları ve alete yapışan tozları nemli bir bez veya benzeri ile temizleyin. "Bıçak siperi" bölümünde anlatılan talimatlar uyarınca bıçak siperini temiz tutun. Paslanmayı önlemek için kızaklı bölümleri makine yağı ile yağlayın.

Aleti EMNİYETLİ ve ÇALIŞMAYA HAZIR durumda tutmak için onarımlar, başka her türlü bakım ve ayarlamalar daima Makita yedek parçaları kullanılarak Makita yetkili servis merkezleri veya Fabrikanın Servis Merkezleri tarafından yapılmalıdır.

İSTEĞE BAĞLI AKSESUARLAR

⚠UYARI: Bu el kitabında belirtilen Makita aletiniz ile kullanılmaları için bu aksesuarlar ve ek parçalar tavsiye edilmektedir. Başka aksesuar ve ek parçaların kullanımı ciddi yaralanmalara yol açabilir.

⚠UYARI: Makita aksesuarları ya da ek parçaları yalnızca belirtilmiş olan kullanım amaçlarına uygun olarak kullanın. Bir aksesuarın ya da ek parçanın hatalı kullanımı ciddi yaralanmalara yol açabilir.

Bu aksesuarlarla ilgili daha fazla bilgiye ihtiyaç duyarsanız bulunduğunuz yerdeki yetkili Makita servisine başvurun.

- Çelik ve Karbid uçlu testere bıçakları
- Dikey vida
- Yatay mengene
- Kartonpiyer sabitleyici seti
- Toz torbası
- Üçgen cetvel
- Altıgen anahtar
- Altıgen anahtar (LS1019L için)

NOT: Listedeki parçaların bazıları alet paketi içerisinde standart aksesuar olarak dahil edilmiş olabilir. Bunlar ülkeden ülkeye farklılık gösterebilir.

Makita Europe N.V. Jan-Baptist Vinkstraat 2,
3070 Kortenberg, Belgium

Makita Corporation 3-11-8, Sumiyoshi-cho,
Anjo, Aichi 446-8502 Japan

www.makita.com

| |
|---|
| 885575A995 EN, FR, DE, IT, NL, ES, PT, DA, EL, TR 20170125 |
|---|