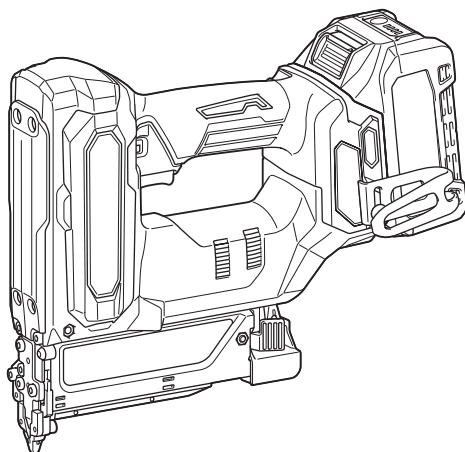




EN	Cordless Pin Nailer	INSTRUCTION MANUAL	5
FR	Cloueur Sans Fil	MANUEL D'INSTRUCTIONS	12
DE	Akku-Pintacker	BETRIEBSANLEITUNG	20
IT	Chiodatrice per chiodi a spillo a batteria	ISTRUZIONI PER L'USO	28
NL	Accunagelpistool	GEBRUIKSAANWIJZING	36
ES	Clavadora Inalámbrica	MANUAL DE INSTRUCCIONES	44
PT	Pinador a Bateria	MANUAL DE INSTRUÇÕES	52
DA	Akku-stiftepistol	BRUGSANVISNING	60
EL	Φορητό καρφωτικό βελονιών	ΕΓΧΕΙΡΙΔΙΟ ΟΔΗΓΙΩΝ	67
TR	Akülü Başız Çivi Çakma Tabancası	KULLANMA KILAVUZU	75

PT001G



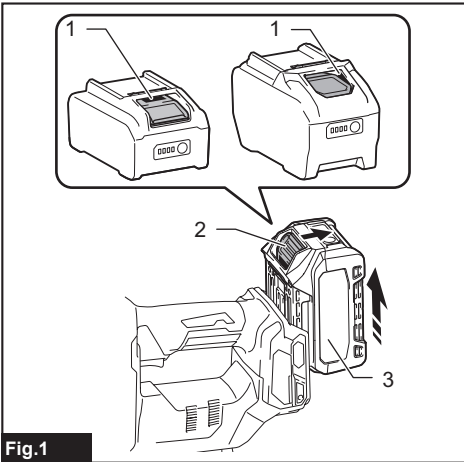


Fig.1

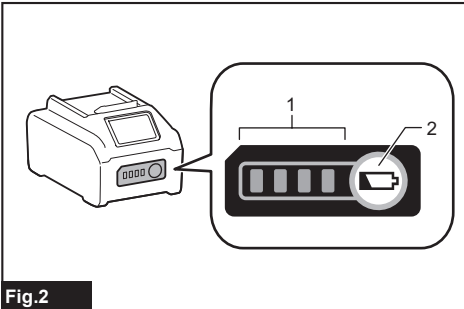


Fig.2

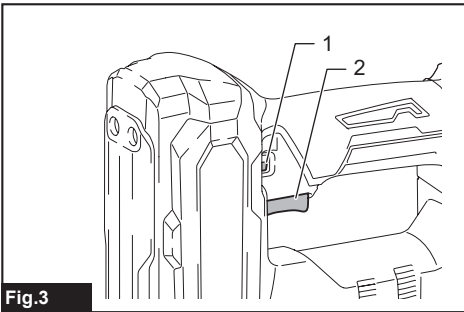


Fig.3

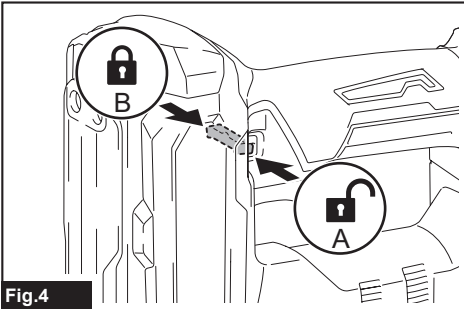


Fig.4

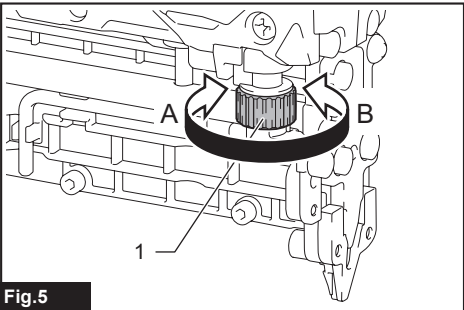


Fig.5

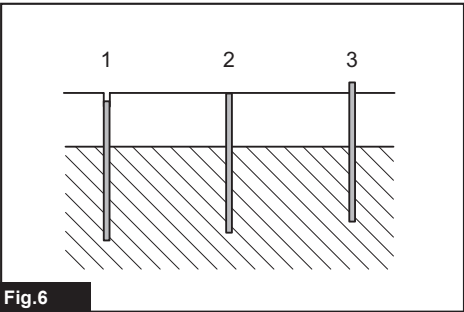


Fig.6

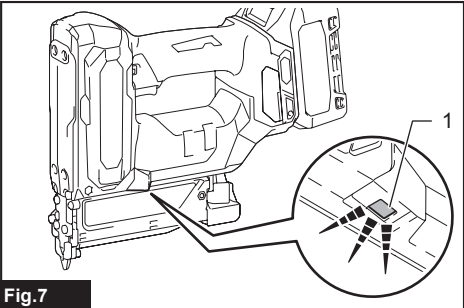


Fig.7

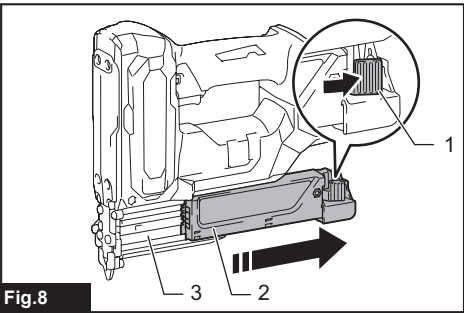


Fig.8

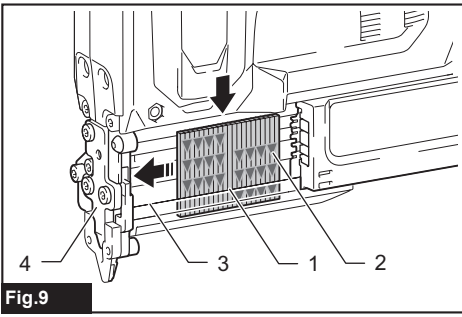


Fig.9

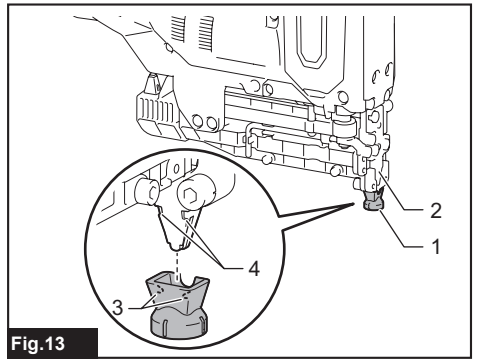


Fig.13

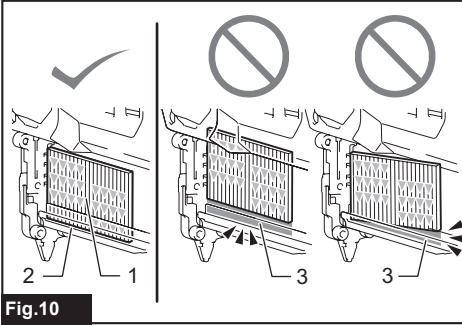


Fig.10

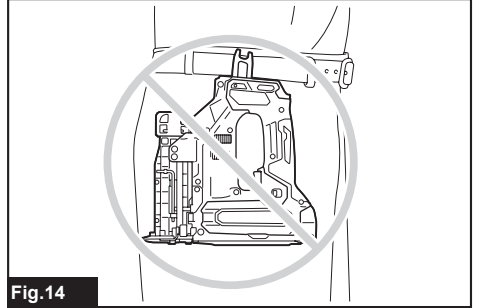


Fig.14

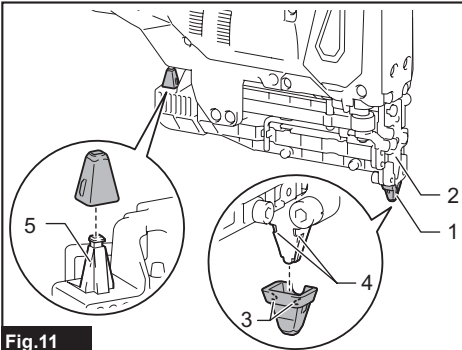


Fig.11

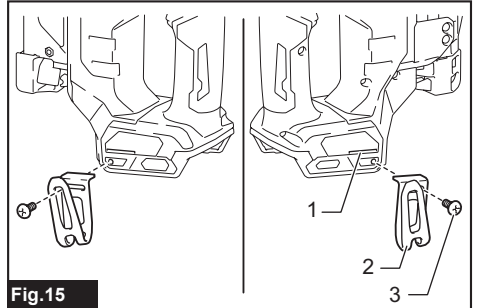


Fig.15

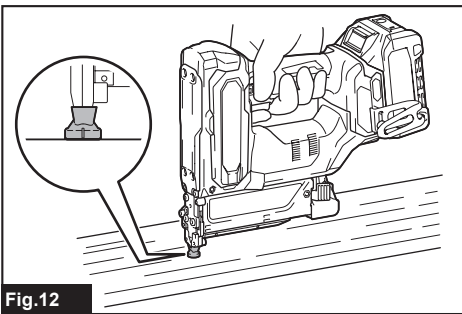


Fig.12

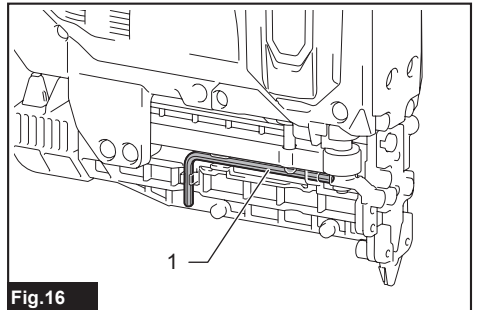


Fig.16

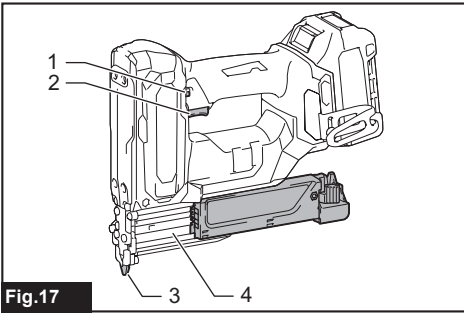


Fig.17

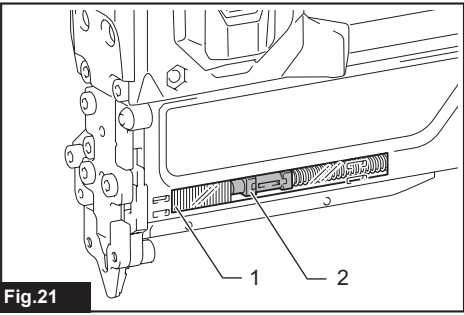


Fig.21

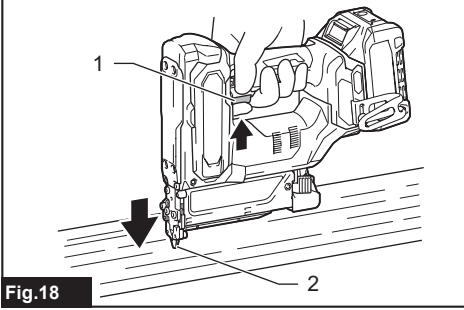


Fig.18

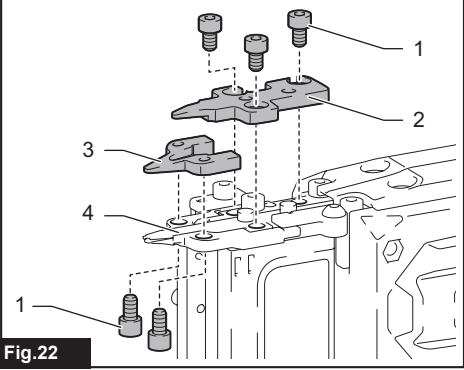


Fig.22

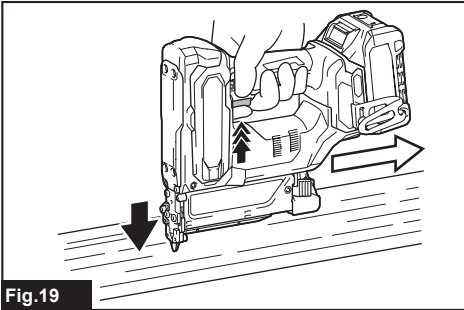


Fig.19

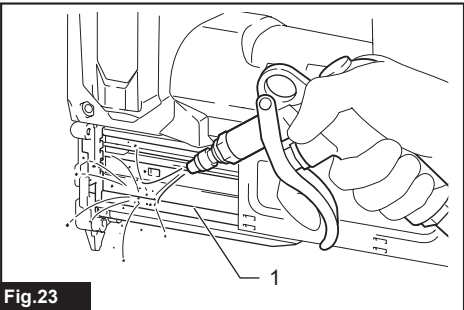


Fig.23

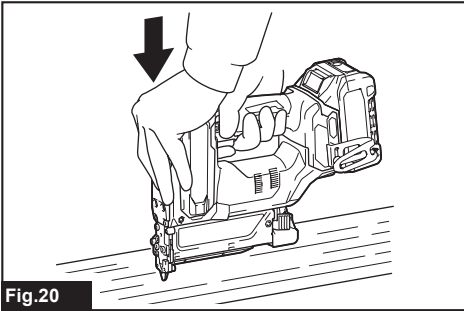


Fig.20

SPECIFICATIONS

Model:	PT001G
Pin nail size	ø0.6 mm x 15, 18, 25, 30, 35 mm
Pin nail magazine capacity	100 pcs.
Dimensions with BL4025, without hook (L x W x H)	265 mm x 86 mm x 226 mm
Rated voltage	D.C. 36 V - 40 V max
Net weight	2.4 - 3.0 kg

- Due to our continuing program of research and development, the specifications herein are subject to change without notice.
- Specifications and battery cartridge may differ from country to country.
- The weight may differ depending on the attachment(s), including the battery cartridge. The lightest and heaviest combinations, according to EPTA-Procedure 01/2014, are shown in the table.

Applicable battery cartridge and charger

Battery cartridge	BL4020* / BL4025* / BL4040 / BL4050F *: Recommended battery
Charger	DC40RA / DC40RB / DC40RC

- Some of the battery cartridges and chargers listed above may not be available depending on your region of residence.

⚠ WARNING: Only use the battery cartridges and chargers listed above. Use of any other battery cartridges and chargers may cause injury and/or fire.

Intended use

The tool is intended for pressing pin nails into construction materials such as timbers.

Noise

The typical A-weighted noise level determined according to EN60745-2-16:

Sound pressure level (L_{pA}) : 79 dB(A)

Uncertainty (K) : 3 dB(A)

The noise level under working may exceed 80 dB (A).

NOTE: The declared noise emission value(s) has been measured in accordance with a standard test method and may be used for comparing one tool with another.

NOTE: The declared noise emission value(s) may also be used in a preliminary assessment of exposure.

⚠ WARNING: Wear ear protection.

⚠ WARNING: The noise emission during actual use of the power tool can differ from the declared value(s) depending on the ways in which the tool is used especially what kind of workpiece is processed.

⚠ WARNING: Be sure to identify safety measures to protect the operator that are based on an estimation of exposure in the actual conditions of use (taking account of all parts of the operating cycle such as the times when the tool is switched off and when it is running idle in addition to the trigger time).

Vibration

The vibration total value determined according to EN60745-2-16:

Vibration emission (a_h) : 2.5 m/s² or less

Uncertainty (K) : 1.5 m/s²

NOTE: The declared vibration total value(s) has been measured in accordance with a standard test method and may be used for comparing one tool with another.

NOTE: The declared vibration total value(s) may also be used in a preliminary assessment of exposure.

⚠ WARNING: The vibration emission during actual use of the power tool can differ from the declared value(s) depending on the ways in which the tool is used especially what kind of workpiece is processed.

⚠ WARNING: Be sure to identify safety measures to protect the operator that are based on an estimation of exposure in the actual conditions of use (taking account of all parts of the operating cycle such as the times when the tool is switched off and when it is running idle in addition to the trigger time).

EC Declaration of Conformity

For European countries only

The EC declaration of conformity is included as Annex A to this instruction manual.

SAFETY WARNINGS

General power tool safety warnings

⚠WARNING: Read all safety warnings, instructions, illustrations and specifications provided with this power tool. Failure to follow all instructions listed below may result in electric shock, fire and/or serious injury.

Save all warnings and instructions for future reference.

The term "power tool" in the warnings refers to your mains-operated (corded) power tool or battery-operated (cordless) power tool.

Cordless nailer safety warnings

1. **Always assume that the tool contains fasteners.** Careless handling of the nailer can result in unexpected firing of fasteners and personal injury.
2. **Do not point the tool towards yourself or anyone nearby.** Unexpected triggering will discharge the fastener causing an injury.
3. **Do not actuate the tool unless the tool is placed firmly against the workpiece.** If the tool is not in contact with the workpiece, the fastener may be deflected away from your target.
4. **Disconnect the tool from the power source when the fastener jams in the tool.** While removing a jammed fastener, the nailer may be accidentally activated if it is plugged in.
5. **Use caution while removing a jammed fastener.** The mechanism may be under compression and the fastener may be forcefully discharged while attempting to free a jammed condition.
6. **Do not use this nailer for fastening electrical cables.** It is not designed for electric cable installation and may damage the insulation of electric cables thereby causing electric shock or fire hazards.
7. **Keep hands and feet away from the ejection port area.**
8. **Follow instruction for lubricating and changing accessories.**
9. **Always remove the battery cartridge before loading the fasteners, adjustment, inspection, maintenance or after operation is over.**
10. **Make sure no one is nearby before operation. Never attempt to drive fasteners from both the inside and outside of wall at the same time.** Fasteners may rip through and/or fly off, presenting a grave danger.
11. **Watch your footing and maintain your balance with the tool. Make sure there is no one below when working in high locations.**
12. **Never use fastener driving tools marked with the symbol "Do not use on scaffoldings, ladders" for specific application for example:**
 - when changing one driving location to another involves the use of scaffoldings, stairs, ladders, or ladder alike constructions, e.g. roof laths;
 - closing boxes or crates;
 - fitting transportation safety systems e.g. on vehicles and wagons.

13. **Check walls, ceilings, floors, roofing and the like carefully to avoid possible electrical shock, gas leakage, explosions, etc. caused by stapling into live wires, conduits or gas pipes.**
14. **Use only fasteners specified in this manual. The use of any other fasteners may cause malfunction of the tool.**
15. **Do not tamper with the tool or attempt to use it for other than driving fasteners.**
16. **Do not operate the tool without fasteners. It shortens the service life of the tool.**
17. **Stop driving operations immediately if you notice something wrong or out of the ordinary with the tool.**
18. **Never fasten into any materials which may allow the fastener to puncture and fly through as a projectile.**
19. **Never actuate the switch trigger and contact element at the same time until you are prepared to fasten workpieces. Allow the workpiece to depress the contact element. Never defeat its purpose by securing the contact element back or by depressing it by hand.**
20. **Never tamper with the contact element. Check the contact element frequently for proper operations.**
21. **Always remove fasteners from the tool when not in use.**

SAVE THESE INSTRUCTIONS.

⚠WARNING: DO NOT let comfort or familiarity with product (gained from repeated use) replace strict adherence to safety rules for the subject product. MISUSE or failure to follow the safety rules stated in this instruction manual may cause serious personal injury.

Important safety instructions for battery cartridge

1. **Before using battery cartridge, read all instructions and cautionary markings on (1) battery charger, (2) battery, and (3) product using battery.**
2. **Do not disassemble or tamper with the battery cartridge.** It may result in a fire, excessive heat, or explosion.
3. **If operating time has become excessively shorter, stop operating immediately. It may result in a risk of overheating, possible burns and even an explosion.**
4. **If electrolyte gets into your eyes, rinse them out with clear water and seek medical attention right away. It may result in loss of your eyesight.**
5. **Do not short the battery cartridge:**
 - (1) **Do not touch the terminals with any conductive material.**
 - (2) **Avoid storing battery cartridge in a container with other metal objects such as nails, coins, etc.**
 - (3) **Do not expose battery cartridge to water or rain.**

A battery short can cause a large current flow, overheating, possible burns and even a breakdown.

6. Do not store and use the tool and battery cartridge in locations where the temperature may reach or exceed 50 °C (122 °F).
7. Do not incinerate the battery cartridge even if it is severely damaged or is completely worn out. The battery cartridge can explode in a fire.
8. Do not nail, cut, crush, throw, drop the battery cartridge, or hit against a hard object to the battery cartridge. Such conduct may result in a fire, excessive heat, or explosion.
9. Do not use a damaged battery.
10. The contained lithium-ion batteries are subject to the Dangerous Goods Legislation requirements.
For commercial transports e.g. by third parties, forwarding agents, special requirement on packaging and labeling must be observed.
For preparation of the item being shipped, consulting an expert for hazardous material is required.
Please also observe possibly more detailed national regulations.
Tape or mask off open contacts and pack up the battery in such a manner that it cannot move around in the packaging.
11. When disposing the battery cartridge, remove it from the tool and dispose of it in a safe place. Follow your local regulations relating to disposal of battery.
12. Use the batteries only with the products specified by Makita. Installing the batteries to non-compliant products may result in a fire, excessive heat, explosion, or leak of electrolyte.
13. If the tool is not used for a long period of time, the battery must be removed from the tool.
14. During and after use, the battery cartridge may take on heat which can cause burns or low temperature burns. Pay attention to the handling of hot battery cartridges.
15. Do not touch the terminal of the tool immediately after use as it may get hot enough to cause burns.
16. Do not allow chips, dust, or soil stuck into the terminals, holes, and grooves of the battery cartridge. It may cause heating, catching fire, burst and malfunction of the tool or battery cartridge, resulting in burns or personal injury.
17. Unless the tool supports the use near high-voltage electrical power lines, do not use the battery cartridge near a high-voltage electrical power lines. It may result in a malfunction or breakdown of the tool or battery cartridge.
18. Keep the battery away from children.

SAVE THESE INSTRUCTIONS.

CAUTION: Only use genuine Makita batteries. Use of non-genuine Makita batteries, or batteries that have been altered, may result in the battery bursting causing fires, personal injury and damage. It will also void the Makita warranty for the Makita tool and charger.

Tips for maintaining maximum battery life

1. Charge the battery cartridge before completely discharged. Always stop tool operation and charge the battery cartridge when you notice less tool power.
2. Never recharge a fully charged battery cartridge. Overcharging shortens the battery service life.
3. Charge the battery cartridge with room temperature at 10 °C - 40 °C (50 °F - 104 °F). Let a hot battery cartridge cool down before charging it.
4. When not using the battery cartridge, remove it from the tool or the charger.
5. Charge the battery cartridge if you do not use it for a long period (more than six months).

FUNCTIONAL DESCRIPTION

CAUTION: Always be sure that the tool is switched off and the battery cartridge is removed before adjusting or checking function on the tool.

Installing or removing battery cartridge

CAUTION: Always switch off the tool before installing or removing of the battery cartridge.

CAUTION: Hold the tool and the battery cartridge firmly when installing or removing battery cartridge. Failure to hold the tool and the battery cartridge firmly may cause them to slip off your hands and result in damage to the tool and battery cartridge and a personal injury.

► Fig. 1: 1. Red indicator 2. Button 3. Battery cartridge

To remove the battery cartridge, slide it from the tool while sliding the button on the front of the cartridge.

To install the battery cartridge, align the tongue on the battery cartridge with the groove in the housing and slip it into place. Insert it all the way until it locks in place with a little click. If you can see the red indicator as shown in the figure, it is not locked completely.

CAUTION: Always install the battery cartridge fully until the red indicator cannot be seen. If not, it may accidentally fall out of the tool, causing injury to you or someone around you.

CAUTION: Do not install the battery cartridge forcibly. If the cartridge does not slide in easily, it is not being inserted correctly.

Tool / battery protection system

The tool is equipped with a tool/battery protection system. This system automatically cuts off power to the motor to extend tool and battery life. The tool will automatically stop during operation if the tool or battery is placed under one of the following conditions:

Overload protection

When the tool/battery is operated in a manner that causes it to draw an abnormally high current, the tool automatically stops. In this situation, turn the tool off and stop the application that caused the tool to become overloaded. Then turn the tool on to restart.

Overheat protection

When the tool/battery is overheated, the tool stops automatically. In this situation, let the tool/battery cool before turning the tool on again.

Overdischarge protection

When the battery capacity is not enough, the tool stops automatically. In this case, remove the battery from the tool and charge the battery.

Protections against other causes

Protection system is also designed for other causes that could damage the tool and allows the tool to stop automatically. Take all the following steps to clear the causes, when the tool has been brought to a temporary halt or stop in operation.

1. Turn the tool off, and then turn it on again to restart.
2. Charge the battery(ies) or replace it/them with recharged battery(ies).
3. Let the tool and battery(ies) cool down.

If no improvement can be found by restoring protection system, then contact your local Makita Service Center.

Indicating the remaining battery capacity

Press the check button on the battery cartridge to indicate the remaining battery capacity. The indicator lamps light up for a few seconds.

► Fig.2: 1. Indicator lamps 2. Check button

Indicator lamps			Remaining capacity
Lighted	Off	Blinking	
			75% to 100%
			50% to 75%
			25% to 50%
			0% to 25%
			Charge the battery.
			The battery may have malfunctioned.

NOTE: Depending on the conditions of use and the ambient temperature, the indication may differ slightly from the actual capacity.

NOTE: The first (far left) indicator lamp will blink when the battery protection system works.

Trigger-lock button

CAUTION: Before installing the battery cartridge into the tool, always check to see that the switch trigger actuates properly and returns to the "OFF" position when released.

CAUTION: When not operating the tool, depress the trigger-lock button from B side to lock the switch trigger in the OFF position.

► Fig.3: 1. Trigger-lock button 2. Switch trigger

► Fig.4

To prevent the switch trigger from accidentally pulled, the trigger-lock button is provided.

To pull the switch trigger, depress the trigger-lock button from A side. After use, always press in the trigger-lock button from B side.

Adjusting the depth of pin-nailing

WARNING: Always make sure that your fingers are not placed on the switch trigger or the contact element and the battery cartridge is removed before adjusting the depth of nailing.

Depth of pin-nailing can be adjusted by turning the adjuster on the tool. A pin nail drives deeper as you turn the adjuster in the A direction shown in the figure, and shallower in the B direction, within a range of up to 1.5 mm.

► Fig.5: 1. Adjuster

► Fig.6: 1. Too deep 2. Right depth 3. Too shallow

Lighting up the lamp

CAUTION: Do not look in the light or see the source of light directly.

Pull the switch trigger or actuate the contact element to light up the lamp. The lamp remains lit for up to 60 seconds while pulling the switch trigger or actuating the contact element. The lamp goes out approximately 10 seconds after releasing the switch trigger and the contact element.

► Fig.7: 1. Lamp

NOTICE: Use a dry cloth to wipe the dirt off the lens of the lamp. Be careful not to scratch the lens of lamp, or it may lower the illumination.

NOTICE: The tool may not fire pin nails after the battery becomes low on power even while the lamp remains lit. In this case, charge the battery cartridge.

NOTICE: When the tool is overheated, the lamp flashes. In this case, release the switch trigger and contact element, and then cool down the tool/battery before operating again.

NOTICE: The lamp starts blinking if the pin nailer detects an error during driving pin nails. In this case, bring the pin nailer to a Factory Service Center.

ASSEMBLY

⚠ CAUTION: Always make sure that your fingers are not placed on the switch trigger or the contact element and the battery cartridge is removed before carrying out any work on the pin nailer.

Loading and unloading pin nails

⚠ CAUTION: Always make sure that your fingers are not placed on the trigger and the battery cartridge is removed before loading pin nails. Unintentional firing may cause personal injuries and property damage.

⚠ CAUTION: Avoid slamming the slide door of the magazine open and shut while pin nails are loaded in the magazine. Accidentally dropping pin nails especially when working in high places may cause personal injuries.

1. Press the lock lever and open the slide door of the magazine.

▶ **Fig.8:** 1. Lock lever 2. Slide door 3. Magazine

2. Set a pin nail strip with dotted triangles pointing downwards, aligning the tips of pin nails with the guide grooves at the bottom of the magazine. Make sure the nail tips touch the bottom of the magazine, and then gently slide the pin nail strip towards the driver guide.

▶ **Fig.9:** 1. Pin nails 2. Dotted triangle 3. Guide grooves 4. Driver guide

▶ **Fig.10:** 1. Pin nails 2. Bottom of magazine 3. Clearances

NOTICE: Make sure the tips of pin nails to be placed firmly on the bottom of the magazine. Any clearances around the tips of pin nails may cause jamming and damages to the tool.

NOTICE: Load pin nails in the correct direction. Loading in wrong direction may cause premature wear and tear of the driver and damage to the other parts.

NOTICE: Do not use deformed pin nail strips. Use pin nails specified in this manual. Using pin nails other than those specified may cause nail jamming and breakage of the tool.

NOTICE: Avoid loading nail strips of fewer pin nails, especially when using pin nails in short lengths. It may cause jamming and damages to the tool.

NOTICE: Do not load nail strips of different lengths or multiple nail strips of fewer pin nails at one time. It otherwise may cause jamming and damages to the tool.

3. Return the slide door to the original position and lock it in place with the lock lever.

NOTICE: Close the slide door gently. Applying excessive force may cause deformation to the pin nails, and the side door may not return to the original position.

To remove the pin nails, press the lock lever and slide the slide door open. Take out the pin nails from the magazine.

Nose adapter

⚠ CAUTION: Always make sure that your fingers are not placed on the switch trigger or the contact element and the battery cartridge is removed before installing the nose adapter.

When firing pin nails on the material with easily-marred surfaces, use the nose adapter.

Place the nose adapter over the contact top of the driver guide so the guide projections inside the nose adapter well fit into the guide notches in the driver guide.

You can store the nose adapter in the holder at the back end of the magazine to keep it from being lost.

▶ **Fig.11:** 1. Nose adapter 2. Driver guide 3. Guide projections 4. Guide notches 5. Holder

Nose adapter for driving on flat surfaces

Optional accessory

Use the optional nose adapter designed for fastening operation on flat and even surfaces. It protects the soft surfaces of workpiece against marks and scratches to be made by round pointed contact tops.

▶ **Fig.12**

Place the optional nose adapter over the contact top of the driver guide so the guide projections inside the nose adapter well fit into the guide notches in the driver guide.

▶ **Fig.13:** 1. Optional nose adapter 2. Driver guide 3. Guide projections 4. Guide notches

Hook

⚠ CAUTION: When installing the hook, always secure it with the screw firmly. If not, the hook may come off from the tool and result in the personal injury.

⚠ CAUTION: Use the hanging/mounting parts for their intended purposes only. Using for unintended purpose may cause accident or personal injury.

⚠ CAUTION: Do not hang the hook from the waist belt. Dropping the pin nailer, which is caused by the hook accidentally coming out of place, may cause unintentional firing and result in personal injuries.

▶ **Fig.14**

The hook is convenient for temporarily hanging the tool. This can be installed on either side of the tool.

To install the hook, insert it into a groove in the tool housing on either side and then secure it with a screw. To remove, loosen the screw and then take it out.

▶ **Fig.15:** 1. Groove 2. Hook 3. Screw

Hex wrench storage

When not in use, store the hex wrench as shown in the figure to keep it from being lost.

▶ **Fig.16:** 1. Hex wrench

OPERATION

Testing the safety system

⚠ WARNING: Make sure all safety systems are in working order before operation. Failure to do so may cause personal injuries.

- **Fig.17:** 1. Trigger-lock button 2. Switch trigger 3. Contact element 4. Magazine

Test safety systems as follows for possible fault before operation.

1. Unload pin nails from the tool and keep the magazine opened.
2. Install the battery cartridge and release the trigger lock.
3. Pull the switch trigger without touching the contact element against the material.
4. Touch the contact element against the material without pulling the switch trigger.

If the tool operates in the case of 3 or 4 above, the safety systems are faulty. Stop using the tool immediately and ask your local service center.

Driving pin nails

⚠ WARNING: Do not use this pin nailer for fastening electrical cables. It is not designed for electric cable installation and may damage the insulation of electric cables thereby causing electric shock or fire hazards.

⚠ WARNING: Continue to place the contact element firmly on the material until the pin nail is driven completely. Unintentional firing may cause personal injuries.

⚠ CAUTION: Hold the tool firmly during operation.

⚠ CAUTION: Do not use the tool beyond the continuous operating time allowed. It otherwise may cause damages to the tool resulting in personal injury.

NOTICE: The tool will not restart fastening after five seconds no switch operation while the contact element is placed on the workpiece. Pull the contact element free from the workpiece and reposition it in place to restart fastening.

1. Release the trigger lock.
 2. Place flat the contact element on the material.
 3. Pull the switch trigger fully to drive a pin nail.
 4. To drive the next nail, release your finger from the switch trigger once, and then repeat the step 2 and 3 above.
- **Fig.18:** 1. Switch trigger 2. Contact element

You can also drive the pin nails when dragging the tool to the next area with the contact element pressed against the material and pulling the switch trigger.

► **Fig.19**

If the head of the pin nail remains above the workpiece surface, drive the pin nail while holding the pin nailer head firmly against the workpiece.

► **Fig.20**

NOTE: If the head of the pin nail still remains above the workpiece even you hold the pin nailer head, the material may not be suitable for the pin nailer. Continuing to use the pin nailer on such material may result in a damage to the driver of the pin nailer and/or pin nailer jamming.

Anti dry fire mechanism

⚠ WARNING: Always make sure that your fingers are not placed on the switch trigger or the contact element and the battery cartridge is removed before loading the pin nails.

When the numbers of remaining pin nails in the magazine are between 0 - 3 pieces, the switch trigger can no longer be pulled. At this time, insert a new strip of pin nails in the magazine and the switch trigger can be pulled again.

NOTE: When firing a different length of pin nails shortly after the anti dry fire mechanism has worked, insert a new strip of pin nails into the magazine and fire away all the prior pin nails that have remained on junk material.

Checking remaining pin nails

You can check the amount of remaining pin nails through the sight window.

The red indicator moves towards the firing opening as the amount of remaining nails becomes smaller.

- **Fig.21:** 1. Sight window 2. Indicator

Removing jammed pin nails

⚠ WARNING: Always make sure that the trigger is released, and the battery cartridge and pin nails are removed before removing jammed pin nails.

⚠ CAUTION: Do not remove the jammed pin nails with bare hands. The pin nails may jump out of the magazine and cause an injury.

1. Remove all the pin nails left in the magazine.
2. Unscrew the three hex bolts on the driver guide cover using the hex wrench.
3. Remove the jammed pin nails from the nail guide grooves in the driver guide.

► **Fig.22:** 1. Hex bolt 2. Driver guide cover 3. Contact top cover 4. Driver guide

NOTE: If you find difficult to remove the jammed pin nails, untighten the two hex bolts on the contact top cover using the hex wrench and then take the jammed pin nails out of the driver guide.

4. Set the covers back in place and secure them over the driver guide with the hex bolts.

NOTICE: After clearing jams, always make sure that the covers on the driver guide have been reassembled correctly. If the driver guide functions improperly, reassemble them with the hex bolts.

MAINTENANCE

⚠ CAUTION: Always be sure that the tool is switched off and the battery cartridge is removed before attempting to perform inspection or maintenance.

NOTICE: Never use gasoline, benzine, thinner, alcohol or the like. Discoloration, deformation or cracks may result.

To maintain product SAFETY and RELIABILITY, repairs, any other maintenance or adjustment should be performed by Makita Authorized or Factory Service Centers, always using Makita replacement parts.

Cleaning magazine

Clean the inside of the magazine at regular intervals. Blow or wipe off any dirt, dust, wood chips, and nail glue accumulated in the guide grooves.

► Fig.23: 1. Guide grooves

NOTICE: Dirt and dust in the guide grooves may affect the pin nails feeding resulting in occasional dry firing.

OPTIONAL ACCESSORIES

⚠ CAUTION: These accessories or attachments are recommended for use with your Makita tool specified in this manual. The use of any other accessories or attachments might present a risk of injury to persons. Only use accessory or attachment for its stated purpose.

If you need any assistance for more details regarding these accessories, ask your local Makita Service Center.

- Pin nails
- Nose adapter (for fastening on flat surfaces)
- Makita genuine battery and charger

NOTE: Some items in the list may be included in the tool package as standard accessories. They may differ from country to country.

SPÉCIFICATIONS

Modèle :	PT001G
Taille des clous sans tête	ø0,6 mm x 15, 18, 25, 30, 35 mm
Capacité du magasin à clous sans tête	100 pièces
Dimensions avec BL4025, sans le crochet (L x l x H)	265 mm x 86 mm x 226 mm
Tension nominale	C.C. 36 V - 40 V max.
Poids net	2,4 - 3,0 kg

- Étant donné l'évolution constante de notre programme de recherche et de développement, les spécifications contenues dans ce manuel sont sujettes à modification sans préavis.
- Les spécifications et la batterie peuvent être différentes suivant les pays.
- Le poids peut être différent selon les accessoires, notamment la batterie. Les associations la plus légère et la plus lourde, conformément à la procédure EPTA 01/2014, sont indiquées dans le tableau.

Batterie et chargeur applicables

Batterie	BL4020* / BL4025* / BL4040 / BL4050F * : Batterie recommandée
Chargeur	DC40RA / DC40RB / DC40RC

- Certains chargeurs et batteries répertoriés ci-dessus peuvent ne pas être disponibles selon la région où vous résidez.

⚠ AVERTISSEMENT : N'utilisez que les batteries et les chargeurs répertoriés ci-dessus. L'utilisation d'autres batteries et chargeurs peut provoquer des blessures et/ou un incendie.

Utilisations

L'outil est conçu pour enfoncer des clous sans tête dans des matériaux de construction comme du bois d'œuvre.

Bruit

Niveau de bruit pondéré A typique, déterminé selon EN60745-2-16 :

Niveau de pression sonore (L_{pA}) : 79 dB (A)

Incertitude (K) : 3 dB (A)

Le niveau de bruit en fonctionnement peut dépasser 80 dB (A).

NOTE : La ou les valeurs d'émission de bruit déclarées ont été mesurées conformément à la méthode de test standard et peuvent être utilisées pour comparer les outils entre eux.

NOTE : La ou les valeurs d'émission de bruit déclarées peuvent aussi être utilisées pour l'évaluation préliminaire de l'exposition.

⚠ AVERTISSEMENT : Portez un serre-tête antibruit.

⚠ AVERTISSEMENT : L'émission de bruit lors de l'usage réel de l'outil électrique peut être différente de la ou des valeurs déclarées, suivant la façon dont l'outil est utilisé, particulièrement selon le type de pièce usinée.

⚠ AVERTISSEMENT : Les mesures de sécurité à prendre pour protéger l'utilisateur doivent être basées sur une estimation de l'exposition dans des conditions réelles d'utilisation (en tenant compte de toutes les composantes du cycle d'utilisation, comme par exemple le moment de sa mise hors tension, lorsqu'il tourne à vide et le moment de son déclenchement).

Vibrations

Valeur totale de vibration déterminée selon EN60745-2-16 :

Émission de vibrations (a_h) : 2,5 m/s² ou moins

Incertitude (K) : 1,5 m/s²

NOTE : La ou les valeurs de vibration totales déclarées ont été mesurées conformément à la méthode de test standard et peuvent être utilisées pour comparer les outils entre eux.

NOTE : La ou les valeurs de vibration totales déclarées peuvent aussi être utilisées pour l'évaluation préliminaire de l'exposition.

⚠ AVERTISSEMENT : L'émission de vibrations lors de l'usage réel de l'outil électrique peut être différente de la ou des valeurs déclarées, suivant la façon dont l'outil est utilisé, particulièrement selon le type de pièce usinée.

⚠ AVERTISSEMENT : Les mesures de sécurité à prendre pour protéger l'utilisateur doivent être basées sur une estimation de l'exposition dans des conditions réelles d'utilisation (en tenant compte de toutes les composantes du cycle d'utilisation, comme par exemple le moment de sa mise hors tension, lorsqu'il tourne à vide et le moment de son déclenchement).

Déclaration de conformité CE

Pour les pays européens uniquement

La déclaration de conformité CE est fournie en Annexe A à ce mode d'emploi.

CONSIGNES DE SÉCURITÉ

Consignes de sécurité générales pour outils électriques

⚠️ AVERTISSEMENT : Veuillez lire les consignes de sécurité, instructions, illustrations et spécifications qui accompagnent cet outil électrique. Le non-respect de toutes les instructions indiquées ci-dessous peut entraîner une électrocution, un incendie et/ou de graves blessures.

Conservez toutes les mises en garde et instructions pour référence ultérieure.

Le terme « outil électrique » dans les avertissements fait référence à l'outil électrique alimenté par le secteur (avec cordon d'alimentation) ou à l'outil électrique fonctionnant sur batterie (sans cordon d'alimentation).

Consignes de sécurité pour cloueur sans fil

1. **Prenez toujours pour acquis que l'outil contient des éléments de fixation.** Une manipulation imprudente du cloueur peut provoquer une projection inattendue des éléments de fixation et des blessures corporelles.
2. **Ne dirigez pas l'outil vers vous-même ou vers quiconque se trouvant à proximité.** Un déclenchement inattendu de la gâchette expulsera un élément de fixation entraînant des blessures.
3. **N'enclenchez l'outil qu'après l'avoir appuyé fermement contre la pièce.** Si l'outil n'est pas en contact avec la pièce, le élément de fixation peut être dévié de sa cible.
4. **Débranchez toujours l'outil de sa source d'alimentation lorsqu'un élément de fixation est coincé dans l'outil.** Lorsque vous retirez un élément de fixation coincé, vous risquez de déclencher accidentellement le cloueur si celui-ci est branché.
5. **Prenez garde lorsque vous retirez un élément de fixation coincé.** Le mécanisme peut être comprimé et le élément de fixation peut être propulsé énergiquement pendant que vous essayez de le décoincer.
6. **N'utilisez pas ce cloueur pour fixer des câbles électriques.** Il n'est pas conçu pour la pose de câbles électriques et peut endommager leur gaine isolante, ce qui comporte un risque d'électrocution et d'incendie.
7. **Gardez les mains et les pieds à l'écart de la zone de sortie d'éjection.**
8. **Suivez les instructions de lubrification et de changement des accessoires.**
9. **Retirez toujours la batterie avant de charger des éléments de fixation, de procéder à un réglage, une inspection ou l'entretien, ou après utilisation.**

10. **Assurez-vous que personne ne se trouve à proximité avant utilisation.** N'essayez jamais d'enfoncer des éléments de fixation des côtés intérieur et extérieur du mur en même temps. Cela est très dangereux, puisque les éléments de fixation risquent alors de passer à travers et/ou d'être projetés.
11. **Regardez où vous posez les pieds et maintenez un bon équilibre pendant l'utilisation de l'outil.** Assurez-vous que personne ne se trouve dessous lorsque vous utilisez l'outil en hauteur.
12. **N'utilisez jamais des outils destinés à enfoncer des éléments de fixation portant la mention « Ne pas utiliser sur un échafaudage ou une échelle » dans les cas suivants :**
 - Lorsque le passage d'un lieu d'utilisation à un autre implique l'utilisation d'échafaudages, d'escaliers ou d'échelles ou de structures similaires, par exemple des lattes de toiture ;
 - Pour fermer des boîtes ou des caisses ;
 - Pour installer des systèmes assurant la sécurité lors du transport, par exemple sur des véhicules ou des wagons.
13. **Vérifiez soigneusement le mur, plafond, plancher, toit ou autre structure pour éviter les risques d'électrocution, de fuite de gaz, d'explosion, etc., en agrafant des fils dénudés, des conduites ou des tuyaux de gaz.**
14. **Utilisez exclusivement les éléments de fixation spécifiés dans le présent manuel.** L'utilisation d'autres éléments de fixation peut causer le dysfonctionnement de l'outil.
15. **Ne modifiez pas l'outil ni n'essayez de l'utiliser pour une autre tâche qu'enfoncer des éléments de fixation.**
16. **N'utilisez pas l'outil sans éléments de fixation.** Cela réduit la durée de vie de l'outil.
17. **Cessez immédiatement l'utilisation si vous constatez un dysfonctionnement ou une anomalie sur l'outil.**
18. **N'enfonchez jamais de éléments de fixation dans des matériaux qu'ils peuvent percer et traverser comme des projectiles.**
19. **N'actionnez jamais simultanément la gâchette et l'élément de contact avant d'être prêt à fixer les pièces.** Le contact avec la pièce doit enfoncer l'élément de contact. N'ignorez pas le rôle de l'élément de contact en le bloquant ou en l'enfonçant manuellement.
20. **Ne modifiez jamais l'élément de contact.** Inspectez régulièrement le bon fonctionnement de l'élément de contact.
21. **Retirez toujours les éléments de fixation de l'outil lorsque vous ne l'utilisez pas.**

CONSERVEZ CES INSTRUCTIONS.

⚠️ AVERTISSEMENT : NE vous laissez PAS tromper (au fil d'une utilisation répétée) par un sentiment d'aisance et de familiarité avec le produit, en négligeant le respect rigoureux des consignes de sécurité qui accompagnent le produit en question. La MAUVAISE UTILISATION de l'outil ou l'ignorance des consignes de sécurité indiquées dans ce mode d'emploi peut entraîner de graves blessures.

Consignes de sécurité importantes pour la batterie

1. **Avant d'utiliser la batterie, lisez toutes les instructions et précautions relatives (1) au chargeur de batterie, (2) à la batterie, et (3) au produit utilisant la batterie.**
2. **Ne désassemblez pas et ne modifiez pas la batterie.** Cela pourrait entraîner un incendie, une chaleur excessive ou une explosion.
3. **Cessez immédiatement l'utilisation si le temps de fonctionnement devient excessivement court. Il y a risque de surchauffe, de brûlures, voire d'explosion.**
4. **Si l'électrolyte pénètre dans vos yeux, rincez-les à l'eau claire et consultez immédiatement un médecin. Il y a risque de perte de la vue.**
5. **Ne court-circuitez pas la batterie :**
 - (1) **Ne touchez les bornes avec aucun matériau conducteur.**
 - (2) **Évitez de ranger la batterie dans un conteneur avec d'autres objets métalliques, par exemple des clous, des pièces de monnaie, etc.**
 - (3) **N'exposez pas la batterie à l'eau ou à la pluie.**

Un court-circuit de la batterie peut provoquer une intensité de courant élevée, une surchauffe, parfois des brûlures et même une panne.

6. **Ne rangez ni n'utilisez l'outil et la batterie dans un endroit où la température risque d'atteindre ou de dépasser 50 °C.**
7. **Ne jetez pas la batterie au feu même si elle est sérieusement endommagée ou complètement épuisée. La batterie peut exploser au contact du feu.**
8. **Abstenez-vous de clouer, couper, écraser, jeter, laisser tomber la batterie, ou de la heurter contre un objet dur.** Cela pourrait entraîner un incendie, une chaleur excessive ou une explosion.
9. **N'utilisez pas la batterie si elle est endommagée.**
10. **Les batteries au lithium-ion contenues sont soumises aux exigences de la législation sur les marchandises dangereuses.**

Lors du transport commercial par des tierces parties ou des transitaires par exemple, des exigences spécifiques en matière d'étiquetage et d'emballage doivent être respectées.

Pour la préparation de l'article expédié, il est nécessaire de consulter un expert en matériau dangereux. Veuillez également respecter les réglementations nationales susceptibles d'être plus détaillées.

Recouvrez les contacts exposés avec du ruban adhésif ou du ruban de masquage et emballez la batterie de telle sorte qu'elle ne puisse pas bouger dans l'emballage.
11. **Lors de la mise au rebut de la batterie, retirez-la de l'outil et jetez-la en lieu sûr. Suivez les réglementations locales en matière de mise au rebut des batteries.**

12. **Utilisez les batteries uniquement avec les produits spécifiés par Makita.** L'insertion de batteries dans des produits non conformes peut provoquer un incendie, une chaleur excessive, une explosion ou une fuite de l'électrolyte.
13. **Lorsque vous n'utilisez pas l'outil pendant une période prolongée, la batterie doit être retirée de l'outil.**
14. **Pendant et après l'utilisation, la batterie peut chauffer, ce qui peut entraîner des brûlures, y compris en cas de température relativement basse. Manipulez les batteries chaudes avec précaution.**
15. **Ne touchez pas la borne de l'outil immédiatement après utilisation car elle peut être assez chaude pour provoquer des brûlures.**
16. **Évitez que des copeaux, de la poussière ou du sol adhèrent aux bornes, aux trous et aux rainures de la batterie.** Cela peut provoquer un échauffement, un incendie, une explosion ou un dysfonctionnement de l'outil ou de la batterie, ce qui peut entraîner des brûlures ou des blessures.
17. **À moins que l'outil prenne en charge un tel usage, n'utilisez pas la batterie à proximité de lignes électriques haute tension.** Cela pourrait entraîner un dysfonctionnement ou casser l'outil ou la batterie.
18. **Conservez la batterie hors de portée des enfants.**

CONSERVEZ CES INSTRUCTIONS.

ATTENTION : N'utilisez que des batteries Makita d'origine. L'utilisation de batteries de marque autre que Makita ou de batteries modifiées peut provoquer l'explosion des batteries, ce qui présente un risque d'incendie, de dommages matériels et corporels. Cela annulera également la garantie Makita pour l'outil et le chargeur Makita.

Conseils pour assurer la durée de vie optimale de la batterie

1. **Chargez la batterie avant qu'elle ne soit complètement déchargée. Arrêtez toujours l'outil et rechargez la batterie quand vous remarquez que la puissance de l'outil diminue.**
2. **Ne rechargez jamais une batterie complètement chargée. La surcharge réduit la durée de service de la batterie.**
3. **Chargez la batterie à une température ambiante comprise entre 10 °C et 40 °C. Avant de charger une batterie chaude, laissez-la refroidir.**
4. **Lorsque vous n'utilisez pas la batterie, retirez-la de l'outil ou du chargeur.**
5. **Rechargez la batterie si elle est restée inutilisée pendant une période prolongée (plus de six mois).**

DESCRIPTION DU FONCTIONNEMENT

ATTENTION : Assurez-vous toujours que l'outil est hors tension et que sa batterie est retirée avant de l'ajuster ou de vérifier son fonctionnement.

Insertion ou retrait de la batterie

ATTENTION : Éteignez toujours l'outil avant de mettre en place ou de retirer la batterie.

ATTENTION : Tenez fermement l'outil et la batterie lors de la mise en place ou du retrait de la batterie. Si vous ne tenez pas fermement l'outil et la batterie, ils peuvent vous glisser des mains, et s'abîmer ou vous blesser.

► Fig.1: 1. Indicateur rouge 2. Bouton 3. Batterie

Pour retirer la batterie, faites-la glisser hors de l'outil tout en faisant glisser le bouton à l'avant de la batterie.

Pour mettre la batterie en place, alignez la languette de la batterie avec la rainure du compartiment puis insérez la batterie. Insérez-la entièrement jusqu'à entendre un léger dé clic indiquant qu'elle est bien en place. Si vous pouvez voir l'indicateur rouge comme illustré sur la figure, c'est qu'elle n'est pas bien verrouillée.

ATTENTION : Insérez toujours complètement la batterie jusqu'à ce que l'indicateur rouge ne soit plus visible. Sinon, elle pourrait tomber accidentellement de l'outil, au risque de vous blesser ou de blesser quelqu'un se trouvant près de vous.

ATTENTION : N'insérez pas la batterie de force. Si elle ne glisse pas facilement, c'est que vous ne l'insérez pas correctement.

Système de protection de l'outil/la batterie

L'outil est équipé d'un système de protection de l'outil/la batterie. Ce système coupe automatiquement l'alimentation vers le moteur pour prolonger la durée de vie de l'outil et de la batterie. Si l'outil ou la batterie se trouve dans l'une des situations suivantes, l'outil cessera automatiquement de fonctionner.

Protection contre la surcharge

Lorsque l'outil ou la batterie est utilisé(e) d'une manière provoquant un appel de courant anormalement élevé, l'outil s'arrête automatiquement. Dans ce cas, éteignez l'outil et arrêtez la tâche ayant provoqué la surcharge de l'outil. Puis rallumez l'outil pour reprendre la tâche.

Protection contre la surchauffe

En cas de surchauffe de l'outil ou de la batterie, l'outil s'arrête automatiquement. Dans ce cas, laissez l'outil ou la batterie refroidir avant de rallumer l'outil.

Protection contre la décharge totale de la batterie

Lorsque la charge de la batterie est insuffisante, l'outil s'arrête automatiquement. Dans ce cas, retirez la batterie de l'outil et chargez-la.

Protections contre d'autres causes

Le système de protection est également conçu pour d'autres causes qui pourraient endommager l'outil et lui permet de s'arrêter automatiquement. Suivez toutes les étapes ci-dessous pour éliminer les causes, lorsque l'outil a été arrêté provisoirement ou a cessé de fonctionner.

1. Éteignez l'outil, puis rallumez-le pour le redémarrer.
2. Chargez la ou les batteries ou remplacez-les par des batteries rechargées.
3. Laissez l'outil et la ou les batteries refroidir.

En l'absence d'amélioration après avoir rétabli le système de protection, contactez votre centre de service Makita local.

Indication de la charge restante de la batterie

Appuyez sur le bouton de vérification sur la batterie pour indiquer la charge restante de la batterie. Les témoins s'allument pendant quelques secondes.

► Fig.2: 1. Témoins 2. Bouton de vérification

Témoins			Charge restante
Allumé	Éteint	Clignotant	
■	□	▧	75 % à 100 %
■	■	□	50 % à 75 %
■	■	□	25 % à 50 %
■	□	□	0 % à 25 %
▧	□	□	Chargez la batterie.
■	■	□	Anomalie possible de la batterie.
□	□	■	

NOTE : Selon les conditions d'utilisation et la température ambiante, l'indication peut être légèrement différente de la capacité réelle.

NOTE : Le premier témoin (complètement à gauche) clignotera pendant le fonctionnement du système de protection de la batterie.

Bouton de verrouillage de la gâchette

⚠ ATTENTION : Avant d'insérer la batterie dans l'outil, vérifiez toujours que la gâchette fonctionne bien et revient en position d'arrêt lorsque vous la relâchez.

⚠ ATTENTION : Lorsque vous n'utilisez pas l'outil, appuyez sur le côté B du bouton de verrouillage de la gâchette pour verrouiller la gâchette en position d'arrêt.

► **Fig.3:** 1. Bouton de verrouillage de la gâchette
2. Gâchette

► **Fig.4**

Pour éviter tout déclenchement accidentel de la gâchette, l'outil est muni d'un bouton de verrouillage de la gâchette.

Pour enclencher la gâchette, appuyez sur le côté A du bouton de verrouillage de la gâchette.

Après utilisation, appuyez toujours sur le côté B du bouton de verrouillage de la gâchette.

Réglage de la profondeur d'enfoncement des clous sans tête

⚠ AVERTISSEMENT : Vérifiez toujours que vos doigts ne se trouvent pas sur la gâchette ou sur l'élément de contact et que la batterie a été retirée avant d'ajuster la profondeur d'enfoncement des clous.

La profondeur d'enfoncement des clous sans tête peut être ajustée en tournant le dispositif de réglage sur l'outil. Un clou sans tête s'enfonce plus profondément à mesure que vous tournez le dispositif de réglage dans le sens A illustré sur la figure et moins profondément dans le sens B, dans une plage allant jusqu'à 1,5 mm.

► **Fig.5:** 1. Dispositif de réglage

► **Fig.6:** 1. Trop profond 2. Profondeur adéquate
3. Pas assez profond

Allumage de la lampe

⚠ ATTENTION : Évitez de regarder directement le faisceau lumineux ou sa source.

Enclenchez la gâchette ou actionnez l'élément de contact pour allumer la lampe. La lampe reste allumée pendant 60 secondes maximum tant que la gâchette est enclenchée ou l'élément de contact actionné. La lampe s'éteint environ 10 secondes après avoir relâché la gâchette et l'élément de contact.

► **Fig.7:** 1. Lampe

REMARQUE : Retirez la saleté sur la lentille de la lampe avec un chiffon sec. Prenez soin de ne pas érafler la lentille de la lampe sous peine de diminuer son éclairage.

REMARQUE : L'outil peut ne pas éjecter de clous sans tête même si la lampe est allumée en raison de la faible puissance restante de la batterie. Il faut alors charger la batterie.

REMARQUE : Si l'outil surchauffe, la lampe clignote. Dans ce cas, relâchez la gâchette et l'élément de contact, puis laissez refroidir l'outil ou la batterie avant de réutiliser l'outil.

REMARQUE : La lampe se met à clignoter si le cloueur détecte une erreur lorsque vous enfoncez les clous sans tête. Dans ce cas, apportez le cloueur à un centre de service usine.

ASSEMBLAGE

⚠ ATTENTION : Vérifiez toujours que vos doigts ne se trouvent pas sur la gâchette ou sur l'élément de contact et que la batterie a été retirée avant toute intervention sur le cloueur.

Chargement et retrait des clous sans tête

⚠ ATTENTION : Vérifiez toujours que vos doigts ne se trouvent pas sur la gâchette et que la batterie a été retirée avant de charger les clous sans tête. Un déclenchement accidentel peut entraîner des dommages corporels ou matériels.

⚠ ATTENTION : Évitez de claquer la porte coulissante du magasin en l'ouvrant et la refermant alors que des clous sans tête sont chargés dans le magasin. La chute accidentelle de clous sans tête peut entraîner des blessures, en particulier lorsque vous travaillez en hauteur.

1. Appuyez sur le levier de verrouillage et ouvrez la porte coulissante du magasin.

► **Fig.8:** 1. Levier de verrouillage 2. Porte coulissante
3. Magasin

2. Placez une bande de clous sans tête avec des triangles en pointillé orientés vers le bas, en alignant les pointes des clous sans tête avec les rainures de guidage au bas du magasin. Assurez-vous que les pointes des clous touchent le bas du magasin, puis faites glisser délicatement la bande de clous sans tête vers le guide d'entraînement.

► **Fig.9:** 1. Clous sans tête 2. Triangle en pointillé 3. Rainures de guidage 4. Guide d'entraînement

► **Fig.10:** 1. Clous sans tête 2. Bas du magasin
3. Dégagements

REMARQUE : Assurez-vous que les pointes des clous sans tête sont placées fermement au bas du magasin. Tout dégagement autour des pointes des clous sans tête peut entraîner un blocage et des dommages à l'outil.

REMARQUE : Chargez les clous sans tête dans le bon sens. Un chargement dans le mauvais sens risque de provoquer une usure rapide du mécanisme d'entraînement et d'endommager les autres composants.

REMARQUE : N'utilisez pas de bandes de clous sans tête déformés. Utilisez exclusivement les clous sans tête spécifiés dans le présent manuel. Si vous utilisez d'autres clous sans tête que ceux spécifiés, vous risquez de coincer les clous et d'endommager l'outil.

REMARQUE : Évitez de charger des bandes de clous ayant moins de clous sans tête, en particulier lorsque vous utilisez des clous courts. Cela pourrait provoquer un blocage et des dommages à l'outil.

REMARQUE : Ne chargez pas de bandes de clous de longueurs différentes ou plusieurs bandes de clous ayant moins de clous sans tête en même temps. Cela pourrait autrement provoquer un blocage et des dommages à l'outil.

3. Ramenez la porte coulissante à sa position initiale et verrouillez-la en place avec le levier de verrouillage.

REMARQUE : Fermez délicatement la porte coulissante. L'application d'une force excessive peut entraîner une déformation des clous sans tête, et la porte coulissante peut ne pas revenir à sa position initiale.

Pour retirer les clous sans tête, appuyez sur le levier de verrouillage et faites glisser la porte coulissante pour l'ouvrir. Retirez les clous sans tête du magasin.

Adaptateur de bec

ATTENTION : Vérifiez toujours que vos doigts ne se trouvent pas sur la gâchette ou sur l'élément de contact et que la batterie a été retirée avant d'installer l'adaptateur de bec.

Lorsque vous enfoncez des clous sans tête dans des matériaux dont la surface marque facilement, utilisez l'adaptateur de bec.

Placez l'adaptateur de bec sur l'élément de contact du guide d'entraînement de sorte que les parties saillantes du guide à l'intérieur de l'adaptateur de bec s'insèrent bien dans les encoches du guide d'entraînement.

Vous pouvez ranger l'adaptateur de bec dans le support situé sur la partie arrière du magasin pour éviter de l'égarer.

- **Fig.11:** 1. Adaptateur de bec 2. Guide d'entraînement 3. Parties saillantes du guide 4. Encoches du guide 5. Support

Adaptateur de bec pour enfoncement sur des surfaces plates

Accessoire en option

Utilisez l'adaptateur de bec en option conçu pour la fixation sur des surfaces plates et régulières. Il protège les surfaces molles de la pièce des marques et des rayures laissées par les éléments de contact arrondis.

- **Fig.12**

Placez l'adaptateur de bec en option sur l'élément de contact du guide d'entraînement de sorte que les parties saillantes du guide à l'intérieur de l'adaptateur de bec s'insèrent bien dans les encoches du guide d'entraînement.

- **Fig.13:** 1. Adaptateur de bec en option 2. Guide d'entraînement 3. Parties saillantes du guide 4. Encoches du guide

Crochet

ATTENTION : Lorsque vous installez le crochet, fixez-le toujours en place fermement avec la vis. Sinon, le crochet pourrait se détacher de l'outil et vous blesser.

ATTENTION : N'utilisez les pièces d'accrochage/de fixation qu'aux fins pour lesquelles elles ont été conçues. Leur utilisation à toute autre fin peut provoquer un accident ou des blessures corporelles.

ATTENTION : Ne suspendez pas le crochet à votre ceinture. Si le crochet se détache accidentellement, le cloueur tombera, ce qui risque de provoquer un déclenchement involontaire et d'entraîner des blessures.

- **Fig.14**

Le crochet est pratique pour suspendre provisoirement l'outil. Il s'installe d'un côté comme de l'autre de l'outil. Pour installer le crochet, insérez-le dans une rainure du carter de l'outil sur l'un des deux côtés, puis fixez-le avec une vis. Pour le retirer, desserrez la vis et enlevez-le.

- **Fig.15:** 1. Rainure 2. Crochet 3. Vis

Rangement de la clé hexagonale

Après utilisation, rangez la clé hexagonale comme indiqué sur la figure pour éviter de l'égarer.

- **Fig.16:** 1. Clé hexagonale

UTILISATION

Vérification du système de sécurité

⚠️ AVERTISSEMENT : Assurez-vous que tous les systèmes de sécurité sont en état de fonctionner avant d'utiliser l'outil. Vous risquez autrement de vous blesser.

- Fig.17: 1. Bouton de verrouillage de la gâchette
2. Gâchette 3. Élément de contact
4. Magasin

Vérifiez comme suit l'absence de défaillance des systèmes de sécurité avant utilisation.

1. Retirez les clous sans tête de l'outil et laissez le magasin ouvert.
2. Installez la batterie et déverrouillez la gâchette.
3. Enclenchez la gâchette sans appuyer l'élément de contact contre le matériau.
4. Appuyez l'élément de contact contre le matériau sans enclencher la gâchette.

Si l'outil fonctionne dans les cas 3 ou 4 ci-dessus, les systèmes de sécurité sont défaillants. Cessez immédiatement d'utiliser l'outil et confiez-le à votre centre d'entretien local.

Enfoncer les clous sans tête

⚠️ AVERTISSEMENT : N'utilisez pas ce cloueur pour fixer des câbles électriques. Il n'est pas conçu pour la pose de câbles électriques et peut endommager leur gaine isolante, ce qui comporte un risque d'électrocution et d'incendie.

⚠️ AVERTISSEMENT : Maintenez fermement l'élément de contact contre le matériau jusqu'à ce que le clou sans tête soit complètement enfoncé. Un déclenchement accidentel peut entraîner des blessures corporelles.

⚠️ ATTENTION : Tenez l'outil fermement pendant l'utilisation.

⚠️ ATTENTION : N'utilisez pas l'outil au-delà de la durée de fonctionnement en continu autorisée. Vous risqueriez autrement d'endommager l'outil et vous blesser.

REMARQUE : L'outil ne redémarrera pas la fixation après cinq secondes sans utiliser les interrupteurs lorsque l'élément de contact est placé sur la pièce. Retirez l'élément de contact de la pièce puis remettez-le en place pour redémarrer la fixation.

1. Déverrouillez la gâchette.
 2. Posez à plat l'élément de contact sur le matériau.
 3. Appuyez à fond sur la gâchette pour enfoncer un clou sans tête.
 4. Pour enfoncer le clou suivant, relâchez la gâchette puis répétez les étapes 2 et 3 ci-dessus.
- Fig.18: 1. Gâchette 2. Élément de contact

Vous pouvez aussi enfoncer les clous sans tête lorsque vous déplacez l'outil vers l'endroit suivant en maintenant l'élément de contact sur le matériau et en appuyant sur la gâchette.

► Fig.19

Si l'extrémité des clous sans tête dépasse de la surface de la pièce, enfoncez les clous en maintenant fermement la tête du cloueur contre la pièce.

► Fig.20

NOTE : Si l'extrémité des clous sans tête dépasse de la surface de la pièce même lorsque vous maintenez la tête du cloueur, il se peut que le matériau ne soit pas adapté à l'utilisation d'un cloueur. Si vous continuez à utiliser le cloueur sur un tel matériau, vous risquez d'endommager le mécanisme d'entraînement du cloueur et/ou de coincer le cloueur.

Mécanisme anti-démarrage à vide

⚠️ AVERTISSEMENT : Vérifiez toujours que vos doigts ne se trouvent pas sur la gâchette ou sur l'élément de contact et que la batterie a été retirée avant de charger les clous sans tête.

Lorsque le nombre de clous sans tête restant dans le magasin est compris entre 0 et 3, vous ne pouvez plus actionner la gâchette. Dans ce cas, insérez une nouvelle bande de clous sans tête dans le magasin. Vous pourrez ensuite actionner de nouveau la gâchette.

NOTE : Lorsque vous utilisez des clous sans tête de longueur différente peu de temps après que le mécanisme anti-démarrage à vide a fonctionné, insérez une nouvelle bande de clous dans le magasin et enfoncez tous les clous restants de la bande précédente sur un matériau destiné au rebut.

Vérification de la quantité de clous sans tête restants

Vous pouvez vérifier la quantité de clous sans tête restants grâce à la fenêtre de contrôle.

L'indicateur rouge se déplace vers l'ouverture d'éjection à mesure que le nombre de clous restants diminue.

► Fig.21: 1. Fenêtre de contrôle 2. Témoignage

Retrait des clous sans tête coincés

⚠️ AVERTISSEMENT : Vérifiez toujours que la gâchette est relâchée et que la batterie et les clous sans tête ont été retirés avant de retirer les clous sans tête coincés.

⚠️ ATTENTION : Ne retirez pas les clous sans tête coincés avec les mains nues. Les clous sans tête pourraient être éjectés du magasin et vous blesser.

1. Retirez tous les clous sans tête restant dans le magasin.
2. Desserrez les trois boulons hexagonaux sur la protection du mécanisme d'entraînement avec la clé hexagonale.

3. Retirez les clous sans tête coincés des rainures du guide-clou dans le guide d'entraînement.

► **Fig.22:** 1. Boulon hexagonal 2. Protection du mécanisme d'entraînement 3. Partie supérieure de l'élément de contact 4. Guide d'entraînement

NOTE : Si vous rencontrez des difficultés pour retirer les clous sans tête bloqués, desserrez les deux boulons hexagonaux de la partie supérieure de l'élément de contact au moyen de la clé hexagonale, puis retirez les clous sans tête bloqués du guide d'entraînement.

4. Remettez les couvercles en place et fixez-les sur le guide d'entraînement au moyen des boulons hexagonaux.

REMARQUE : Après avoir dégagé les blocages, assurez-vous toujours que les couvercles du guide d'entraînement ont été remontés correctement. Si le guide d'entraînement ne fonctionne pas correctement, remontez-les avec les boulons hexagonaux.

ENTRETIEN

ATTENTION : Assurez-vous toujours que l'outil est hors tension et que la batterie est retirée avant d'y effectuer tout travail d'inspection ou d'entretien.

REMARQUE : N'utilisez jamais d'essence, benzine, diluant, alcool ou autre produit similaire. Cela risquerait de provoquer la décoloration, la déformation ou la fissuration de l'outil.

Pour assurer la SÉCURITÉ et la FIABILITÉ du produit, toute réparation, tout travail d'entretien ou de réglage doivent être effectués par un centre d'entretien Makita agréé, avec des pièces de rechange Makita.

Nettoyage du magasin

Nettoyez l'intérieur du magasin à intervalles réguliers. Retirez en soufflant ou essuyant tout copeau de bois, saleté, poussière et colle de fixation accumulés dans les rainures de guidage.

► **Fig.23:** 1. Rainures de guidage

REMARQUE : La saleté et la poussière dans les rainures de guidage peuvent affecter l'alimentation des clous sans tête, ce qui entraîne des déclenchements occasionnels à vide.

ACCESSOIRES EN OPTION

ATTENTION : Ces accessoires ou pièces complémentaires sont recommandés pour l'utilisation avec l'outil Makita spécifié dans ce mode d'emploi. L'utilisation de tout autre accessoire ou pièce complémentaire peut comporter un risque de blessure. N'utilisez les accessoires ou pièces complémentaires qu'aux fins auxquelles ils ont été conçus.

Pour obtenir plus de détails sur ces accessoires, contactez votre centre d'entretien local Makita.

- Clous sans tête
- Adaptateur de bec (pour fixation sur des surfaces plates)
- Batterie et chargeur Makita d'origine

NOTE : Il se peut que certains éléments de la liste soient compris dans l'emballage de l'outil en tant qu'accessoires standard. Ils peuvent varier d'un pays à l'autre.

TECHNISCHE DATEN

Modell:	PT001G
Stiftnagelgröße	ø0,6 mm x 15, 18, 25, 30, 35 mm
Stiftnagelmagazin-Fassungsvermögen	100 Stück
Abmessungen mit BL4025, ohne Aufhänger (L x B x H)	265 mm x 86 mm x 226 mm
Nennspannung	Gleichstrom 36 V - 40 V max.
Nettogewicht	2,4 - 3,0 kg

- Wir behalten uns vor, Änderungen der technischen Daten im Zuge der Entwicklung und des technischen Fortschritts ohne vorherige Ankündigung vorzunehmen.
- Die technischen Daten und der Akku können von Land zu Land unterschiedlich sein.
- Das Gewicht kann abhängig von dem Aufsatz (den Aufsätzen), einschließlich des Akkus, unterschiedlich sein. Die leichteste und die schwerste Kombination, gemäß dem EPTA-Verfahren 01/2014, sind in der Tabelle angegeben.

Zutreffende Akkus und Ladegeräte

Akku	BL4020* / BL4025* / BL4040 / BL4050F * : Empfohlener Akku
Ladegerät	DC40RA / DC40RB / DC40RC

- Einige der oben aufgelisteten Akkus und Ladegeräte sind je nach Ihrem Wohngebiet eventuell nicht erhältlich.

⚠️ WARNUNG: Verwenden Sie nur die oben aufgeführten Akkus und Ladegeräte. Bei Verwendung irgendwelcher anderer Akkus und Ladegeräte besteht Verletzungs- und/oder Brandgefahr.

Vorgesehene Verwendung

Das Werkzeug ist für das Einpressen von Stiftnägeln in Baumaterial, wie z. B. Bauholz, vorgesehen.

Geräusch

Typischer A-bewerteter Geräuschpegel ermittelt gemäß EN60745-2-16:

Schalldruckpegel (L_{pA}): 79 dB (A)

Messunsicherheit (K): 3 dB (A)

Der Geräuschpegel kann während des Betriebs 80 dB (A) überschreiten.

HINWEIS: Der (Die) angegebene(n) Schallemissionswert(e) wurde(n) im Einklang mit der Standardprüfmethode gemessen und kann (können) für den Vergleich zwischen Werkzeugen herangezogen werden.

HINWEIS: Der (Die) angegebene(n) Schallemissionswert(e) kann (können) auch für eine Vorbewertung des Gefährdungsgrads verwendet werden.

⚠️ WARNUNG: Einen Gehörschutz tragen.

⚠️ WARNUNG: Die Schallemission während der tatsächlichen Benutzung des Elektrowerkzeugs kann je nach der Benutzungsweise des Werkzeugs, und speziell je nach der Art des bearbeiteten Werkstücks, von dem (den) angegebenen Wert(en) abweichen.

⚠️ WARNUNG: Identifizieren Sie Sicherheitsmaßnahmen zum Schutz des Benutzers anhand einer Schätzung des Gefährdungsgrads unter den tatsächlichen Benutzungsbedingungen (unter Berücksichtigung aller Phasen des Arbeitszyklus, wie z. B. Ausschalt- und Leerlaufzeiten des Werkzeugs zusätzlich zur Betriebszeit).

Schwingungen

Der Schwingungsgesamtwert wurde gemäß EN60745-2-16 ermittelt:

Schwingungsemission (a_{h1}): 2,5 m/s² oder weniger
Messunsicherheit (K): 1,5 m/s²

HINWEIS: Der (Die) angegebene(n) Vibrationsgesamtwert(e) wurde(n) im Einklang mit der Standardprüfmethode gemessen und kann (können) für den Vergleich zwischen Werkzeugen herangezogen werden.

HINWEIS: Der (Die) angegebene(n) Vibrationsgesamtwert(e) kann (können) auch für eine Vorbewertung des Gefährdungsgrads verwendet werden.

⚠️ WARNUNG: Die Vibrationsemission während der tatsächlichen Benutzung des Elektrowerkzeugs kann je nach der Benutzungsweise des Werkzeugs, und speziell je nach der Art des bearbeiteten Werkstücks, von dem (den) angegebenen Emissionswert(en) abweichen.

⚠️ WARNUNG: Identifizieren Sie Sicherheitsmaßnahmen zum Schutz des Benutzers anhand einer Schätzung des Gefährdungsgrads unter den tatsächlichen Benutzungsbedingungen (unter Berücksichtigung aller Phasen des Arbeitszyklus, wie z. B. Ausschalt- und Leerlaufzeiten des Werkzeugs zusätzlich zur Betriebszeit).

EG-Konformitätserklärung

Nur für europäische Länder

Die EG-Konformitätserklärung ist als Anhang A in dieser Bedienungsanleitung enthalten.

SICHERHEITSWARNUNGEN

Allgemeine Sicherheitswarnungen für Elektrowerkzeuge

⚠️ WARNUNG: Lesen Sie alle mit diesem Elektrowerkzeug gelieferten Sicherheitswarnungen, Anweisungen, Abbildungen und technischen Daten durch. Eine Missachtung der unten aufgeführten Anweisungen kann zu einem elektrischen Schlag, Brand und/oder schweren Verletzungen führen.

Bewahren Sie alle Warnungen und Anweisungen für spätere Bezugnahme auf.

Der Ausdruck „Elektrowerkzeug“ in den Warnhinweisen bezieht sich auf Ihr mit Netzstrom (mit Kabel) oder Akku (ohne Kabel) betriebenes Elektrowerkzeug.

Sicherheitswarnungen für Akku-Tacker

1. Gehen Sie stets von der Annahme aus, dass das Werkzeug Befestigungselemente enthält. Achtlose Handhabung des Tackers kann zu unerwartetem Abschuss von Befestigungselementen und daraus resultierenden Personenschäden führen.
2. Richten Sie das Werkzeug nicht auf sich oder umstehende Personen. Unerwartete Auslösung bewirkt Abschuss des Befestigungselements und verursacht eine Verletzung.
3. Betätigen Sie das Werkzeug nur, wenn es fest auf das Werkstück aufgesetzt ist. Ist das Werkzeug nicht mit dem Werkstück in Kontakt, kann das Befestigungselement von Ihrem beabsichtigten Ziel abgelenkt werden.
4. Trennen Sie das Werkzeug von der Stromquelle, wenn ein Befestigungselement im Werkzeug klemmt. Ist der Akku eingesetzt, kann der Tacker beim Entfernen eines klemmenden Befestigungselements versehentlich betätigt werden.

5. Lassen Sie beim Entfernen eines klemmenden Befestigungselements Vorsicht walten. Der Mechanismus kann unter Druck stehen, und das Befestigungselement kann abgeschossen werden, während versucht wird, den Klemmzustand aufzuheben.
6. Benutzen Sie diesen Tacker nicht zur Befestigung von elektrischen Kabeln. Er ist nicht für die Installation von elektrischen Kabeln ausgelegt und kann deren Isolierung beschädigen, was zu einem elektrischen Schlag oder Brand führen kann.
7. Halten Sie Hände und Füße vom Bereich der Auswurföffnung fern.
8. Befolgen Sie die Anweisungen für die Schmierung und den Austausch von Zubehör.
9. Nehmen Sie stets den Akku ab, bevor Sie die Befestigungselemente laden, Einstellungen, Überprüfungen, Wartungsarbeiten durchführen, oder nachdem die Arbeit abgeschlossen ist.
10. Vergewissern Sie sich vor der Arbeit, dass keine Personen in der Nähe sind. Versuchen Sie niemals, Befestigungselemente gleichzeitig von der Innen- und Außenseite einer Wand einzutreiben. Befestigungselemente können durchschlagen und/oder herausfliegen, was eine große Gefahr darstellt.
11. Achten Sie beim Arbeiten mit dem Werkzeug auf sicheren Stand und Gleichgewicht. Vergewissern Sie sich bei Arbeiten an hohen Orten, dass sich niemand unterhalb aufhält.
12. Benutzen Sie niemals mit der Aufschrift „Nicht auf Gerüsten, Leitern verwenden“ versehene Tacker für spezifische Anwendungen, wie z. B.:
 - wenn für einen Arbeitsplatzwechsel Gerüste, Treppen, Leitern oder leiterähnliche Konstruktionen, wie z. B. Dachlatten erforderlich sind;
 - zum Verschließen von Kisten oder Verschlagen;
 - zum Anbringen von Transportsicherheitssystemen z. B. an Fahrzeugen und Wagen.
13. Überprüfen Sie Wände, Decken, Fußböden, Dach und dergleichen sorgfältig, um durch Kontakt mit Strom führenden Kabeln, Isolierrohren oder Gasrohren verursachte mögliche elektrische Schläge, Gaslecks, Explosionen usw. zu vermeiden.
14. Verwenden Sie nur die in dieser Anleitung angegebenen Befestigungselemente. Die Verwendung anderer Befestigungselemente kann eine Funktionsstörung des Werkzeugs verursachen.
15. Nehmen Sie keine unerlaubten Änderungen am Werkzeug vor, und versuchen Sie nicht, es für andere Zwecke als Eintreiben von Befestigungselementen zu verwenden.
16. Betreiben Sie das Werkzeug nicht ohne Befestigungselemente. Dadurch wird die Nutzungsdauer des Werkzeugs verkürzt.
17. Brechen Sie Eintreibarbeiten sofort ab, wenn Sie einen Defekt oder etwas Ungewöhnliches am Werkzeug feststellen.
18. Treiben Sie Befestigungselemente niemals in Materialien ein, die das Befestigungselement punktieren und wie ein Geschoss durchbohren kann.

19. Betätigen Sie den Auslöseschalter und das Kontaktelement niemals gleichzeitig, bevor Sie bereit sind, Werkstücke zu befestigen. Lassen Sie das Kontaktelement sich vom Werkstück niederdrücken. Heben Sie den Zweck des Kontaktelements keinesfalls durch Zurückhalten oder Niederdrücken von Hand auf.
20. Nehmen Sie keine unerlaubten Eingriffe am Kontaktelement vor. Überprüfen Sie das Kontaktelement häufig auf ordnungsgemäßen Betrieb.
21. Entfernen Sie stets die Befestigungselemente vom Werkzeug, wenn es nicht benutzt wird.
8. **Unterlassen Sie Nageln, Schneiden, Zerquetschen, Werfen, Fallenlassen des Akkus oder Schlagen des Akkus mit einem harten Gegenstand.** Eine solche Handlung kann zu einem Brand, übermäßiger Hitzeentwicklung oder einer Explosion führen.
9. **Benutzen Sie keine beschädigten Akkus.**
10. **Die enthaltenen Lithium-Ionen-Akkus unterliegen den Anforderungen der Gefahrgut-Gesetzgebung.** Für kommerzielle Transporte, z. B. durch Dritte oder Spediteure, müssen besondere Anforderungen zu Verpackung und Etikettierung beachtet werden. Zur Vorbereitung des zu transportierenden Artikels ist eine Beratung durch einen Experten für Gefahrgut erforderlich. Bitte beachten Sie möglicherweise ausführlichere nationale Vorschriften. Überleben oder verdecken Sie offene Kontakte, und verpacken Sie den Akku so, dass er sich in der Verpackung nicht umher bewegen kann.

DIESE ANWEISUNGEN AUFBEWAHREN.

⚠️ WARNUNG: Lassen Sie sich NICHT durch Bequemlichkeit oder Vertrautheit mit dem Produkt (durch wiederholten Gebrauch erworben) von der strikten Einhaltung der Sicherheitsregeln für das vorliegende Produkt abhalten. MISSBRAUCH oder Missachtung der Sicherheitsvorschriften in dieser Anleitung können schwere Verletzungen verursachen.

Wichtige Sicherheitsanweisungen für Akku

1. Lesen Sie vor der Benutzung des Akkus alle Anweisungen und Warnhinweise, die an (1) Ladegerät, (2) Akku und (3) Akkuwerkzeug angebracht sind.
2. Unterlassen Sie Zerlegen oder Manipulieren des Akkus. Es kann sonst zu einem Brand, übermäßiger Hitzeentwicklung oder einer Explosion kommen.
3. Falls die Betriebszeit beträchtlich kürzer geworden ist, stellen Sie den Betrieb sofort ein. Anderenfalls besteht die Gefahr von Überhitzung, möglichen Verbrennungen und sogar einer Explosion.
4. Falls Elektrolyt in Ihre Augen gelangt, waschen Sie sie mit sauberem Wasser aus, und begeben Sie sich unverzüglich in ärztliche Behandlung. Anderenfalls können Sie Ihre Sehkraft verlieren.
5. Der Akku darf nicht kurzgeschlossen werden:
 - (1) Die Kontakte dürfen nicht mit leitfähigem Material berührt werden.
 - (2) Lagern Sie den Akku nicht in einem Behälter zusammen mit anderen Metallgegenständen, wie z. B. Nägel, Münzen usw.
 - (3) Setzen Sie den Akku weder Wasser noch Regen aus.

Ein Kurzschluss des Akkus verursacht starken Stromfluss, der Überhitzung, mögliche Verbrennungen und einen Defekt zur Folge haben kann.
6. Lagern und benutzen Sie das Werkzeug und den Akku nicht an Orten, an denen die Temperatur 50 °C erreichen oder überschreiten kann.
7. Versuchen Sie niemals, den Akku zu verbrennen, selbst wenn er stark beschädigt oder vollkommen verbraucht ist. Der Akku kann im Feuer explodieren.
11. Entfernen Sie den Akku zum Entsorgen vom Werkzeug, und entsorgen Sie ihn an einem sicheren Ort. Befolgen Sie die örtlichen Vorschriften bezüglich der Entsorgung von Akkus.
12. Verwenden Sie die Akkus nur mit den von Makita angegebenen Produkten. Das Einsetzen der Akkus in nicht konforme Produkte kann zu einem Brand, übermäßiger Hitzebildung, einer Explosion oder Auslaufen von Elektrolyt führen.
13. Soll das Werkzeug längere Zeit nicht benutzt werden, muss der Akku vom Werkzeug entfernt werden.
14. Bei und nach dem Gebrauch kann der Akku heiß werden, was Verbrennungen oder Niedertemperaturverbrennungen verursachen kann. Beachten Sie die Handhabung von heißen Akkus.
15. Berühren Sie nicht den Anschlusskontakt des Werkzeugs unmittelbar nach dem Gebrauch, da er heiß genug werden kann, um Verbrennungen zu verursachen.
16. Achten Sie darauf, dass sich keine Späne, Staub oder Schmutz in den Anschlusskontakten, Löchern und Nuten des Akkus absetzen. Es könnte sonst zu Erhitzung, Brandauslösung, Bersten und Funktionsstörungen des Werkzeugs oder des Akkus kommen, was zu Verbrennungen oder Personenschäden führen kann.
17. Wenn das Werkzeug den Einsatz in der Nähe einer Hochspannungs-Stromleitung nicht unterstützt, benutzen Sie den Akku nicht in der Nähe einer Hochspannungs-Stromleitung. Dies kann zu einer Funktionsstörung oder Betriebsstörung des Werkzeugs oder des Akkus führen.
18. Halten Sie die Batterie von Kindern fern.

DIESE ANWEISUNGEN AUFBEWAHREN.

⚠️ VORSICHT: Verwenden Sie nur Original-Makita-Akkus. Die Verwendung von Nicht-Original-Makita-Akkus oder von Akkus, die abgeändert worden sind, kann zum Bersten des Akkus und daraus resultierenden Bränden, Personenschäden und Beschädigung führen. Außerdem wird dadurch die Makita-Garantie für das Makita-Werkzeug und -Ladegerät ungültig.

Hinweise zur Aufrechterhaltung der maximalen Akku-Nutzungsdauer

1. **Laden Sie den Akku, bevor er vollkommen erschöpft ist. Schalten Sie das Werkzeug stets aus, und laden Sie den Akku, wenn Sie ein Nachlassen der Werkzeugleistung feststellen.**
2. **Unterlassen Sie erneutes Laden eines voll aufgeladenen Akkus. Überladen führt zu einer Verkürzung der Nutzungsdauer des Akkus.**
3. **Laden Sie den Akku bei Raumtemperatur zwischen 10 – 40 °C. Lassen Sie einen heißen Akku abkühlen, bevor Sie ihn laden.**
4. **Wenn Sie den Akku nicht benutzen, nehmen Sie ihn vom Werkzeug oder Ladegerät ab.**
5. **Der Akku muss geladen werden, wenn er lange Zeit (länger als sechs Monate) nicht benutzt wird.**

FUNKTIONSBESCHREIBUNG

⚠ VORSICHT: Vergewissern Sie sich vor der Durchführung von Einstellungen oder Funktionsprüfungen des Werkzeugs stets, dass das Werkzeug ausgeschaltet und der Akku abgenommen ist.

Anbringen und Abnehmen des Akkus

⚠ VORSICHT: Schalten Sie das Werkzeug stets aus, bevor Sie den Akku anbringen oder abnehmen.

⚠ VORSICHT: Halten Sie das Werkzeug und den Akku beim Anbringen oder Abnehmen des Akkus sicher fest. Wenn Sie das Werkzeug und den Akku nicht sicher festhalten, können sie Ihnen aus der Hand rutschen, was zu einer Beschädigung des Werkzeugs und des Akkus und zu Körperverletzungen führen kann.

► **Abb.1:** 1. Rote Anzeige 2. Knopf 3. Akku

Ziehen Sie den Akku zum Abnehmen vom Werkzeug ab, während Sie den Knopf an der Vorderseite des Akkus verschieben.

Richten Sie zum Anbringen des Akkus dessen Führungsfeder auf die Nut im Gehäuse aus, und schieben Sie den Akku hinein. Schieben Sie ihn vollständig ein, bis er mit einem leisen Klicken einrastet. Wenn Sie die rote Anzeige sehen können, wie in der Abbildung gezeigt, ist der Akku nicht vollständig verriegelt.

⚠ VORSICHT: Schieben Sie den Akku stets bis zum Anschlag ein, bis die rote Anzeige nicht mehr sichtbar ist. Anderenfalls kann er aus dem Werkzeug herausfallen und Sie oder umstehende Personen verletzen.

⚠ VORSICHT: Unterlassen Sie Gewaltanwendung beim Anbringen des Akkus. Falls der Akku nicht reibungslos hineingleitet, ist er nicht richtig ausgerichtet.

Werkzeug/Akku-Schutzsystem

Das Werkzeug ist mit einem Werkzeug/Akku-Schutzsystem ausgestattet. Dieses System schaltet die Stromversorgung des Motors automatisch ab, um die Lebensdauer von Werkzeug und Akku zu verlängern. Das Werkzeug bleibt während des Betriebs automatisch stehen, wenn das Werkzeug oder der Akku einer der folgenden Bedingungen unterliegt:

Überlastschutz

Wird das Werkzeug/der Akku auf eine Weise benutzt, die eine ungewöhnlich hohe Stromaufnahme bewirkt, bleibt das Werkzeug automatisch stehen. Schalten Sie in dieser Situation das Werkzeug aus, und brechen Sie die Arbeit ab, die eine Überlastung des Werkzeugs verursacht hat. Schalten Sie dann das Werkzeug wieder ein, um es neu zu starten.

Überhitzungsschutz

Wenn das Werkzeug/der Akku überhitzt wird, bleibt das Werkzeug automatisch stehen. Lassen Sie das Werkzeug/den Akku in dieser Situation abkühlen, bevor Sie das Werkzeug wieder einschalten.

Überentladungsschutz

Wenn die Akkukapazität unzureichend wird, bleibt das Werkzeug automatisch stehen. Nehmen Sie in diesem Fall den Akku vom Werkzeug ab, und laden Sie ihn auf.

Schutz gegen andere Ursachen

Das Schutzsystem ist auch für andere Ursachen ausgelegt, die eine Beschädigung des Werkzeugs bewirken könnten, und ermöglicht automatisches Anhalten des Werkzeugs. Führen Sie alle folgenden Schritte aus, um die Ursachen zu beseitigen, wenn das Werkzeug zu einem vorübergehenden Stillstand oder Betriebsstopp gekommen ist.

1. Schalten Sie das Werkzeug aus und wieder ein, um es neu zu starten.
2. Laden Sie den/die Akku(s) auf, oder tauschen Sie ihn/sie gegen einen aufgeladenen Akku/aufgeladene Akkus aus.
3. Lassen Sie das Werkzeug und den/die Akku(s) abkühlen.

Falls die Wiederherstellung des Schutzsystems keine Besserung bringt, wenden Sie sich an Ihre lokale Makita-Kundendienststelle.

Anzeigen der Akku-Restkapazität

Drücken Sie die Prüftaste am Akku, um die Akku-Restkapazität anzuzeigen. Die Anzeigelampen leuchten wenige Sekunden lang auf.

► **Abb.2:** 1. Anzeigelampen 2. Prüftaste

Anzeigelampen			Restkapazität
Erleuchtet	Aus	Blinkend	
			75% bis 100%
			50% bis 75%
			25% bis 50%
			0% bis 25%
			Den Akku aufladen.
			Möglicherweise liegt eine Funktionsstörung im Akku vor.

HINWEIS: Abhängig von den Benutzungsbedingungen und der Umgebungstemperatur kann die Anzeige geringfügig von der tatsächlichen Kapazität abweichen.

HINWEIS: Die erste (äußerste linke) Anzeigelampe blinkt, wenn das Akku-Schutzsystem aktiv ist.

Auslöserspercknopf

⚠ VORSICHT: Vergewissern Sie sich vor dem Einsetzen des Akkus in das Werkzeug stets, dass der Ein-Aus-Schalter ordnungsgemäß funktioniert und beim Loslassen in die AUS-Stellung zurückkehrt.

⚠ VORSICHT: Wenn Sie das Werkzeug nicht benutzen, drücken Sie den Auslöserspercknopf auf der Seite B hinein, um den Auslöser in der Stellung OFF zu verriegeln.

► **Abb.3:** 1. Auslöserspercknopf 2. Auslöser

► **Abb.4**

Um versehentliche Betätigung des Auslösers zu verhüten, ist das Werkzeug mit einem Auslöserspercknopf ausgestattet. Um den Auslöser zu betätigen, drücken Sie den Auslöserspercknopf auf der Seite A hinein. Drücken Sie den Auslöserspercknopf nach der Benutzung stets auf der Seite B hinein.

Einstellen der Stiftnagel-Eintreibtiefe

⚠ WARNUNG: Vergewissern Sie sich immer, dass Ihre Finger nicht auf dem Auslöseschalter oder dem Kontaktelement ruhen, und dass der Akku abgenommen ist, bevor Sie die Nageleintreibtiefe einstellen.

Die Stiftnageltiefe kann durch Drehen der Einstellvorrichtung am Werkzeug eingestellt werden. Wird die Einstellvorrichtung in die Richtung A gedreht, wie in der Abbildung gezeigt, wird ein Stiftnagel tiefer eingetrieben, und durch Drehen in Richtung B wird er flacher eingetrieben, innerhalb eines Bereichs von bis zu 1,5 mm.

► **Abb.5:** 1. Einstellvorrichtung

► **Abb.6:** 1. Zu tief 2. Richtige Tiefe 3. Zu flach

Einschalten der Lampe

⚠ VORSICHT: Blicken Sie nicht direkt in die Lampe oder die Lichtquelle.

Betätigen Sie den Auslöseschalter oder das Kontaktelement, um die Lampe einzuschalten. Die Lampe bleibt bis zu 60 Sekunden lang erleuchtet, solange der Auslöseschalter gedrückt oder das Kontaktelement betätigt wird. Die Lampe erlischt ungefähr 10 Sekunden nach dem Loslassen des Auslöseschalters und des Kontaktelements.

► **Abb.7:** 1. Lampe

ANMERKUNG: Wischen Sie Schmutz auf der Lampenlinse mit einem trockenen Tuch ab. Achten Sie sorgfältig darauf, dass Sie die Lampenlinse nicht verkratzen, weil sich sonst die Lichtstärke verringert.

ANMERKUNG: Das Werkzeug kann keine Stiftnagel mehr abschießen, wenn der Akku schwach wird, selbst wenn die Lampe weiter leuchtet. Laden Sie in diesem Fall den Akku auf.

ANMERKUNG: Bei Überhitzung des Werkzeugs blinkt die Lampe. Lassen Sie in diesem Fall den Auslöseschalter und das Kontaktelement los, und lassen Sie dann das Werkzeug/den Akku abkühlen, bevor Sie die Arbeit fortsetzen.

ANMERKUNG: Die Lampe beginnt zu blinken, falls der Pintacker während des Eintreibens von Stiftnägeln einen Fehler erkennt. Bringen Sie den Pintacker in diesem Fall zu einem Werks-Servicecenter.

MONTAGE

⚠ VORSICHT: Vergewissern Sie sich immer, dass Ihre Finger nicht auf dem Auslöseschalter oder dem Kontaktelement ruhen, und dass der Akku abgenommen ist, bevor Sie irgendwelche Arbeiten am Pintacker ausführen.

Einlegen und Herausnehmen von Stiftnägeln

⚠ VORSICHT: Vergewissern Sie sich immer, dass Ihre Finger nicht auf dem Auslöser ruhen, und dass der Akku abgenommen ist, bevor Sie Stiftnagel einlegen. Unbeabsichtigtes Abschießen kann Personenschäden und Sachschäden verursachen.

⚠ VORSICHT: Vermeiden Sie es, die Schiebetür des Magazins auf- und zuzuschlagen, während Stiftnagel im Magazin eingelegt sind. Versehentliches Herunterfallen von Stiftnägeln, besonders beim Arbeiten an hohen Orten, kann Personenschäden verursachen.

1. Drücken Sie den Sperrhebel, und öffnen Sie die Schiebetür des Magazins.

► **Abb.8:** 1. Sperrhebel 2. Schiebetür 3. Magazin

2. Legen Sie einen Stiftnagelstreifen mit nach unten zeigenden gepunkteten Dreiecken ein, und richten Sie die Spitzen der Stiftnägeln auf die Führungsnuten am Boden des Magazins aus. Vergewissern Sie sich, dass die Nagelspitzen den Boden des Magazins berühren, und schieben Sie dann den Stiftnagelstreifen sachte in Richtung der Treiberführung.

► **Abb.9:** 1. Stiftnagel 2. Gepunktetes Dreieck 3. Führungsnuten 4. Treiberführung

► **Abb.10:** 1. Stiftnagel 2. Boden des Magazins 3. Freiräume

ANMERKUNG: Vergewissern Sie sich, dass die Spitzen der Stiftnägeln fest auf dem Boden des Magazins aufliegen. Etwaige Freiräume um die Spitzen der Stiftnägeln können ein Verklemmen und eine Beschädigung des Werkzeugs verursachen.

ANMERKUNG: Laden Sie Stiftnägeln in der korrekten Richtung. Laden in der falschen Richtung kann vorzeitige Abnutzung des Treibers und Beschädigung der übrigen Teile verursachen.

ANMERKUNG: Verwenden Sie keine verformten Stiftnagelstreifen. Verwenden Sie nur die in dieser Anleitung angegebenen Stiftnägeln. Die Verwendung von anderen Stiftnägeln außer den angegebenen kann Nagelstaus und Bruch des Werkzeugs verursachen.

ANMERKUNG: Vermeiden Sie das Laden von Nagelstreifen mit weniger Stiftnägeln, insbesondere wenn Sie Stiftnägeln in kurzen Längen verwenden. Dies kann eine Verklemmung und Beschädigung des Werkzeugs verursachen.

ANMERKUNG: Laden Sie keine unterschiedlich langen Nagelstreifen oder mehrere Nagelstreifen mit weniger Stiftnägeln auf einmal. Es kann sonst zu einer Verklemmung und Beschädigung des Werkzeugs kommen.

3. Bringen Sie die Schiebetür wieder in die Ausgangsposition, und verriegeln Sie sie mit dem Verriegelungshebel.

ANMERKUNG: Schließen Sie die Schiebetür sachte. Eine übermäßige Kräfteanwendung kann eine Verformung der Stiftnägeln verursachen, und die Schiebetür kehrt möglicherweise nicht in die Ausgangsposition zurück.

Um die Stiftnägeln zu entfernen, drücken Sie den Verriegelungshebel, und schieben Sie die Schiebetür auf. Nehmen Sie die Stiftnägeln aus dem Magazin heraus.

Mundstückadapter

⚠ VORSICHT: Vergewissern Sie sich immer, dass Ihre Finger nicht auf dem Auslöseschalter oder dem Kontaktelement ruhen, und dass der Akku abgenommen ist, bevor Sie den Mundstückadapter montieren.

Wenn Sie Stiftnägeln in Werkstücke mit empfindlicher Oberfläche eintreiben, verwenden Sie den Mundstückadapter. Setzen Sie den Mundstückadapter auf die Kontaktfläche der Treiberführung, so dass die Führungsvorsprünge im Inneren des Mundstückadapters gut in die Führungskerben der Treiberführung passen.

Sie können den Mundstückadapter in dem Halter am hinteren Ende des Magazins aufbewahren, damit er nicht verloren geht.

► **Abb.11:** 1. Mundstückadapter 2. Treiberführung 3. Führungsvorsprünge 4. Führungskerben 5. Halter

Mundstückadapter zum Eintreiben auf flachen Oberflächen

Sonderzubehör

Verwenden Sie den optionalen Mundstückadapter, der für Befestigungsarbeiten auf flachen und ebenen Flächen ausgelegt ist. Er schützt die weichen Oberflächen des Werkstücks vor Abdrücken und Kratzern, die durch runde, spitze Kontaktspitzen entstehen können.

► **Abb.12**

Setzen Sie den optionalen Mundstückadapter auf die Kontaktfläche der Treiberführung, so dass die Führungsvorsprünge im Inneren des Mundstückadapters gut in die Führungskerben der Treiberführung passen.

► **Abb.13:** 1. Optionaler Mundstückadapter 2. Treiberführung 3. Führungsvorsprünge 4. Führungskerben

Aufhänger

⚠ VORSICHT: Wenn Sie den Aufhänger anbringen, sichern Sie ihn immer einwandfrei mit der Schraube. Anderenfalls kann sich der Aufhänger vom Werkzeug lösen und Personenschaden verursachen.

⚠ VORSICHT: Verwenden Sie die Aufhängungs-/Montageteile nur für ihre vorgesehenen Zwecke. Die Verwendung für nicht vorgesehene Zwecke kann einen Unfall oder Personenschaden verursachen.

⚠ VORSICHT: Hängen Sie den Aufhänger nicht in das Koppel ein. Herunterfallen des Pintackers, das durch versehentliches Abrutschen des Aufhängers verursacht wird, kann unbeabsichtigtes Abschießen und daraus resultierende Personenschäden verursachen.

► **Abb.14**

Der Aufhänger ist praktisch, um das Werkzeug vorübergehend aufzuhängen. Dieser kann auf beiden Seiten des Werkzeugs angebracht werden.

Um den Aufhänger anzubringen, führen Sie ihn in die Nut entweder auf der linken oder rechten Seite des Werkzeuggehäuses ein, und sichern Sie ihn dann mit einer Schraube. Um ihn zu entfernen, lösen Sie die Schraube, und nehmen Sie ihn dann heraus.

► **Abb.15:** 1. Nut 2. Aufhänger 3. Schraube

Aufbewahrung des Inbusschlüssels

Der Inbusschlüssel kann an der in der Abbildung gezeigten Stelle aufbewahrt werden, damit er nicht verloren geht.

► **Abb.16:** 1. Inbusschlüssel

BETRIEB

Testen des Sicherheitssystems

⚠️ WARNUNG: Vergewissern Sie sich vor der Benutzung, dass alle Sicherheitssysteme in gutem Betriebszustand sind. Anderenfalls kann es zu Verletzungen kommen.

► **Abb.17:** 1. Auslösersperrenknopf 2. Auslöser 3. Kontaktelement 4. Magazin

Prüfen Sie die Sicherheitssysteme vor dem Betrieb wie folgt auf mögliche Fehler.

1. Nehmen Sie die Stiftnägel aus dem Werkzeug heraus, und halten Sie das Magazin offen.
2. Setzen Sie den Akku ein, und geben Sie die Auslösersperre frei.
3. Betätigen Sie nur den Auslöseschalter, ohne das Kontaktelement gegen das Material zu halten.
4. Halten Sie nur das Kontaktelement gegen das Material, ohne den Auslöseschalter zu betätigen.

Falls das Werkzeug in dem obigen Fall 3 oder 4 betätigt wird, sind die Sicherheitssysteme defekt. Brechen Sie sofort die Benutzung des Werkzeugs ab, und wenden Sie sich an Ihr örtliches Kundenzentrum.

Eintreiben von Stiftnägeln

⚠️ WARNUNG: Benutzen Sie diesen Pintacker nicht zur Befestigung von elektrischen Kabeln. Er ist nicht für die Installation von elektrischen Kabeln ausgelegt und kann deren Isolierung beschädigen, was zu einem elektrischen Schlag oder Brand führen kann.

⚠️ WARNUNG: Halten Sie das Kontaktelement fest gegen das Material gedrückt, bis der Stiftnagel vollständig eingetrieben ist. Unbeabsichtigtes Abschießen kann Personenschäden verursachen.

⚠️ VORSICHT: Halten Sie das Werkzeug während der Arbeit mit festem Griff.

⚠️ VORSICHT: Benutzen Sie das Werkzeug nicht über die zulässige Dauerbetriebszeit hinaus. Anderenfalls kann es zu Beschädigungen des Werkzeugs und daraus resultierenden Personenschäden kommen.

ANMERKUNG: Das Werkzeug nimmt die Befestigung nicht wieder auf, wenn fünf Sekunden lang keine Schalterbetätigung erfolgt ist, während das Kontaktelement auf dem Werkstück aufliegt. Ziehen Sie das Kontaktelement vom Werkstück ab und bringen Sie es wieder in Position, um die Befestigung wieder aufzunehmen.

1. Lassen Sie die Auslösersperre los.
 2. Setzen Sie das Kontaktelement flach auf das Material.
 3. Betätigen Sie den Auslöseschalter vollständig, um einen Stiftnagel einzutreiben.
 4. Um den nächsten Nagel einzutreiben, nehmen Sie Ihren Finger kurz vom Auslöseschalter, und wiederholen Sie dann die obigen Schritte 2 und 3.
- **Abb.18:** 1. Auslöseschalter 2. Kontaktelement

Sie können die Stiftnägel auch eintreiben, wenn Sie das Werkzeug zum nächsten Bereich ziehen, während Sie das Kontaktelement gegen das Material gedrückt halten und den Auslöseschalter betätigen.

► **Abb.19**

Wenn der Kopf des Stiftnagels oberhalb der Werkstückoberfläche bleibt, halten Sie den Pintackerkopf beim Eintreiben des Stiftnagels fest gegen das Werkstück gedrückt.

► **Abb.20**

HINWEIS: Wenn der Kopf des Stiftnagels noch immer oberhalb der Werkstückoberfläche bleibt, obwohl Sie den Pintackerkopf gedrückt halten, ist das Material möglicherweise nicht für den Pintacker geeignet. Fortgesetzter Gebrauch des Pintackers auf solchem Material kann zu einer Beschädigung des Pintackertreibers und/oder Klemmen des Pintackers führen.

Leerschuss-Sicherungsmechanismus

⚠️ WARNUNG: Vergewissern Sie sich immer, dass Ihre Finger nicht auf dem Auslöseschalter oder dem Kontaktelement ruhen, und dass der Akku abgenommen ist, bevor Sie die Stiftnägel einlegen.

Wenn die Zahl der verbleibenden Stiftnägel im Magazin 0 - 3 Stück erreicht, kann der Auslöseschalter nicht mehr betätigt werden. Legen Sie zu diesem Zeitpunkt einen neuen Stiftnagelstreifen in das Magazin ein, damit der Auslöseschalter wieder betätigt werden kann.

HINWEIS: Wenn Sie kurz nach der Betätigung des Leerschuss-Sicherungsmechanismus Stiftnägel von anderer Länge abschießen wollen, legen Sie einen neuen Stiftnagelstreifen in das Magazin ein, und schießen Sie alle noch verbleibenden vorherigen Stiftnägel auf Ausschussmaterial ab.

Überprüfen des Stiftnagelvorrats

Sie können den Stiftnagelvorrat durch das Sichtfenster überprüfen.

Je weiter sich der rote Anzeiger auf die Abschussöffnung zu bewegt, desto kleiner wird der Nagelvorrat.

► **Abb.21:** 1. Sichtfenster 2. Anzeiger

Entfernen von gestauten Stiftnägeln

⚠️ WARNUNG: Vergewissern Sie sich immer, dass der Auslöser gelöst ist, und dass der Akku und die Stiftnägeln entfernt sind, bevor Sie gestaute Stiftnägeln entfernen.

⚠️ VORSICHT: Entfernen Sie die gestauten Stiftnägeln nicht mit bloßen Händen. Die Stiftnägeln können aus dem Magazin herauspringen und eine Verletzung verursachen.

1. Entfernen Sie alle im Magazin verbleibenden Stiftnägeln.
2. Lösen Sie die drei Innensechskantschrauben an der Treiberführungsabdeckung unter Verwendung des Inbusschlüssels.
3. Entfernen Sie die gestauten Stiftnägeln aus den Nagelführungsnuten in der Treiberführung.
▶ **Abb.22:** 1. Innensechskantschraube
2. Treiberführungsabdeckung
3. Kontaktdeckplatte 4. Treiberführung

HINWEIS: Falls Sie Schwierigkeiten haben, die gestauten Stiftnägeln zu entfernen, lösen Sie die beiden Innensechskantschrauben an der oberen Kontaktdeckplatte mit Hilfe des Inbusschlüssels, und nehmen Sie dann die gestauten Stiftnägeln aus der Treiberführung heraus.

4. Setzen Sie die Abdeckungen wieder auf, und sichern Sie sie mit den Innensechskantschrauben über der Treiberführung.

ANMERKUNG: Vergewissern Sie sich nach der Beseitigung von Staus immer, dass die Abdeckungen der Treiberführung wieder korrekt montiert sind. Falls die Treiberführung nicht richtig funktioniert, setzen Sie sie mit den Innensechskantschrauben wieder zusammen.

WARTUNG

⚠️ VORSICHT: Vergewissern Sie sich vor der Durchführung von Inspektions- oder Wartungsarbeiten stets, dass das Werkzeug ausgeschaltet und der Akku abgenommen ist.

ANMERKUNG: Verwenden Sie auf keinen Fall Benzin, Waschbenzin, Verdünner, Alkohol oder dergleichen. Solche Mittel können Verfärbung, Verformung oder Rissbildung verursachen.

Um die SICHERHEIT und ZUVERLÄSSIGKEIT dieses Produkts zu gewährleisten, sollten Reparaturen und andere Wartungs- oder Einstellarbeiten nur von Makita-Vertragswerkstätten oder Makita-Kundendienstzentren unter ausschließlicher Verwendung von Makita-Originalersatzteilen ausgeführt werden.

Reinigen des Magazins

Reinigen Sie die Innenseite des Magazins in regelmäßigen Abständen. Blasen oder wischen Sie jeglichen Schmutz, Staub, Holzspäne und Nagelkleber ab, die sich in den Führungsnuten angesammelt haben.

▶ **Abb.23:** 1. Führungsnuten

ANMERKUNG: Schmutz und Staub in den Führungsnuten können die Zuführung der Stiftnägeln beeinträchtigen, was zu gelegentlichen Leerschüssen führt.

SONDERZUBEHÖR

⚠️ VORSICHT: Die folgenden Zubehörteile oder Vorrichtungen werden für den Einsatz mit dem in dieser Anleitung beschriebenen Makita-Werkzeug empfohlen. Die Verwendung anderer Zubehörteile oder Vorrichtungen kann eine Verletzungsgefahr darstellen. Verwenden Sie Zubehörteile oder Vorrichtungen nur für ihren vorgesehenen Zweck.

Wenn Sie weitere Einzelheiten bezüglich dieser Zubehörteile benötigen, wenden Sie sich bitte an Ihre Makita-Kundendienststelle.

- Stiftnägeln
- Mundstückadapter (zum Eintreiben auf flachen Oberflächen)
- Original-Makita-Akku und -Ladegerät

HINWEIS: Manche Teile in der Liste können als Standardzubehör im Werkzeugsatz enthalten sein. Sie können von Land zu Land unterschiedlich sein.

DATI TECNICI

Modello:	PT001G
Dimensione dei chiodi a spillo	ø0,6 mm x 15, 18, 25, 30, 35 mm
Capacità del caricatore dei chiodi a spillo	100 pezzi
Dimensioni con BL4025, gancio escluso (L x P x A)	265 mm x 86 mm x 226 mm
Tensione nominale	C.C. Da 36 V a 40 V max
Peso netto	Da 2,4 a 3,0 kg

- A causa del nostro programma continuativo di ricerca e sviluppo, i dati tecnici sono soggetti a modifiche senza preavviso.
- I dati tecnici e la cartuccia della batteria potrebbero differire da nazione a nazione.
- Il peso può variare a seconda dell'accessorio o degli accessori, inclusa la cartuccia della batteria. La combinazione più leggera e quella più pesante, secondo la procedura EPTA 01/2014, sono indicate nella tabella.

Cartuccia della batteria e caricabatterie applicabili

Cartuccia della batteria	BL4020* / BL4025* / BL4040 / BL4050F * : Batteria consigliata
Caricabatterie	DC40RA / DC40RB / DC40RC

- Alcune cartucce delle batterie e alcuni caricabatterie elencati sopra potrebbero non essere disponibili a seconda della propria area geografica di residenza.

⚠AVVERTIMENTO: Utilizzare solo le cartucce delle batterie e i caricabatterie elencati sopra. L'utilizzo di altre cartucce delle batterie e di altri caricabatterie potrebbe causare lesioni personali e/o un incendio.

Utilizzo previsto

L'utensile è destinato all'applicazione di chiodi a spillo su materiali da costruzione come il legname.

Rumore

Livello tipico di rumore pesato A determinato in base allo standard EN60745-2-16:

Livello di pressione sonora (L_{pA}) : 79 dB (A)

Incertezza (K): 3 dB (A)

Il livello del rumore nelle condizioni di lavoro può superare gli 80 dB (A).

NOTA: Il valore o i valori dichiarati delle emissioni di rumori sono stati misurati in conformità a un metodo standard di verifica, e possono essere utilizzati per confrontare un utensile con un altro.

NOTA: Il valore o i valori dichiarati delle emissioni di rumori possono venire utilizzati anche per una valutazione preliminare dell'esposizione.

⚠AVVERTIMENTO: Indossare protezioni per le orecchie.

⚠AVVERTIMENTO: L'emissione di rumori durante l'utilizzo effettivo dell'utensile elettrico può variare rispetto al valore o ai valori dichiarati, a seconda dei modi in cui viene utilizzato l'utensile e specialmente a seconda di che tipo di pezzo venga lavorato.

⚠AVVERTIMENTO: Accertarsi di identificare misure di sicurezza per la protezione dell'operatore che siano basate su una stima dell'esposizione nelle condizioni effettive di utilizzo (tenendo conto di tutte le parti del ciclo operativo, ad esempio del numero di spegnimenti dell'utensile e di quando giri a vuoto, oltre al tempo di attivazione).

Vibrazioni

Valore complessivo delle vibrazioni stabilito in base al EN60745-2-16:

Emissione di vibrazioni (a_h) : 2,5 m/s² o inferiore

Incertezza (K): 1,5 m/s²

NOTA: Il valore o i valori complessivi delle vibrazioni dichiarati sono stati misurati in conformità a un metodo standard di verifica, e possono essere utilizzati per confrontare un utensile con un altro.

NOTA: Il valore o i valori complessivi delle vibrazioni dichiarati possono venire utilizzati anche per una valutazione preliminare dell'esposizione.

⚠AVVERTIMENTO: L'emissione delle vibrazioni durante l'utilizzo effettivo dell'utensile elettrico può variare rispetto al valore o ai valori dichiarati, a seconda dei modi in cui viene utilizzato l'utensile, specialmente a seconda di che tipo di pezzo venga lavorato.

⚠AVVERTIMENTO: Accertarsi di identificare misure di sicurezza per la protezione dell'operatore che siano basate su una stima dell'esposizione nelle condizioni effettive di utilizzo (tenendo conto di tutte le parti del ciclo operativo, ad esempio del numero di spegnimenti dell'utensile e di quando giri a vuoto, oltre al tempo di attivazione).

Dichiarazione di conformità CE

Solo per i paesi europei

La dichiarazione di conformità CE è inclusa nell'Allegato A al presente manuale di istruzioni.

AVVERTENZE DI SICUREZZA

Avvertenze generali relative alla sicurezza dell'utensile elettrico

⚠AVVERTIMENTO: Leggere tutte le avvertenze di sicurezza, le istruzioni, le illustrazioni e i dati tecnici forniti con il presente utensile elettrico. La mancata osservanza di tutte le istruzioni elencate di seguito potrebbe risultare in scosse elettriche, incendi e/o gravi lesioni personali.

Conservare tutte le avvertenze e le istruzioni come riferimento futuro.

Il termine "utensile elettrico" nelle avvertenze si riferisce sia all'utensile elettrico (cablato) nel funzionamento alimentato da rete elettrica che all'utensile elettrico (a batteria) nel funzionamento alimentato a batteria.

Avvertenze di sicurezza relative alla chiodatrice a batteria

1. **Presumere sempre che l'utensile contenga elementi di fissaggio.** Una manipolazione incauta della chiodatrice può risultare nello sparo improvviso di elementi di fissaggio e in lesioni personali.
2. **Non puntare l'utensile verso se stessi o altre persone nelle vicinanze.** Un'attivazione improvvisa della graffiatrice causa lo sparo di elementi di fissaggio, con conseguenti lesioni personali.
3. **Non attivare l'utensile se non è appoggiato saldamente contro il pezzo in lavorazione.** Qualora l'utensile non sia a contatto con il pezzo in lavorazione, l'elemento di fissaggio potrebbe venire deviato dal punto a cui si mira.
4. **In caso di inceppamenti degli elementi di fissaggio nell'utensile, scollegare quest'ultimo dalla fonte di alimentazione elettrica.** Durante la rimozione di un elemento di fissaggio inceppato, la chiodatrice potrebbe attivarsi accidentalmente, qualora sia collegata all'alimentazione elettrica.

5. **Adottare la massima cautela nella rimozione di elementi di fissaggio inceppati.** Durante un tentativo di liberare una condizione di inceppamento, il meccanismo potrebbe venire sottoposto a compressione, e l'elemento di fissaggio potrebbe venire sparato forzatamente.
6. **Non utilizzare la presente chiodatrice per fissare cavi elettrici.** L'utensile non è destinato all'installazione di cavi elettrici, e potrebbe danneggiare l'isolamento dei cavi, causando di conseguenza il rischio di scosse elettriche o incendi.
7. **Tenere le mani e i piedi lontani dall'area dell'apertura di espulsione.**
8. **Seguire le istruzioni per la lubrificazione e la sostituzione degli accessori.**
9. **Rimuovere sempre la cartuccia della batteria prima di caricare gli elementi di fissaggio e di effettuare regolazioni, ispezioni e manutenzione, oppure al termine dell'utilizzo.**
10. **Accertarsi che non siano presenti persone nelle vicinanze prima dell'uso.** Non tentare mai di applicare elementi di fissaggio contemporaneamente sia dall'interno che dall'esterno di una parete. Gli elementi di fissaggio potrebbero trapassare il materiale e/o volare via, costituendo un grave pericolo.
11. **Fare attenzione all'appoggio sui piedi e mantenere l'equilibrio con l'utensile.** Quando si intende lavorare in ubicazioni elevate, accertarsi che non siano presenti persone sotto di sé.
12. **Non utilizzare mai utensili per l'applicazione di elementi di fissaggio che rechino il simbolo "Non utilizzare su impalcature o scale a pioli" per applicazioni specifiche, ad esempio:**
 - quando il passaggio da una posizione di applicazione a un'altra implica l'utilizzo di impalcature, scale, scale a pioli o costruzioni simili alle scale a pioli, ad es. cannucce su tetti;
 - chiusura di scatole o casse;
 - montaggio di sistemi di sicurezza per i trasporti, ad es. su veicoli e carri merci.
13. **Controllare con cura pareti, soffitti, pavimenti, coperture dei tetti e simili, per evitare possibili scosse elettriche, fughe di gas, esplosioni, e così via, causate dall'applicazione di punti metallici su fili elettrici sotto tensione, condutture o tubi del gas.**
14. **Utilizzare esclusivamente gli elementi di fissaggio specificati nel presente manuale.** L'impiego di altri elementi di fissaggio potrebbe causare un malfunzionamento dell'utensile.
15. **Non manomettere l'utensile né tentare di utilizzarlo a scopi diversi dall'applicazione di elementi di fissaggio.**
16. **Non far funzionare l'utensile senza gli elementi di fissaggio.** In caso contrario, si riduce la vita utile dell'utensile.
17. **Arrestare immediatamente l'operazione di applicazione qualora si notino problemi o anomalie con l'utensile.**
18. **Non applicare mai elementi di fissaggio su materiali che potrebbero consentire a un elemento di fissaggio di perforarli e volare via come un proiettile.**

19. Non attivare mai l'interruttore a grilletto e l'elemento di contatto contemporaneamente fino a quando si è pronti all'applicazione di elementi di fissaggio sui pezzi in lavorazione. Consentire al pezzo in lavorazione di premere l'elemento di contatto. Non tentare mai di escludere la finalità dell'elemento di contatto fissandolo in posizione rientrata o premendolo con la mano.
20. Non manomettere mai l'elemento di contatto. Verificare spesso il funzionamento corretto dell'elemento di contatto.
21. Rimuovere sempre gli elementi di fissaggio dall'utensile quando quest'ultimo non è in uso.

CONSERVARE LE PRESENTI ISTRUZIONI.

⚠AVVERTIMENTO: NON lasciare che la comodità o la familiarità d'uso con il prodotto (acquisita con l'uso ripetuto) sostituiscano la stretta osservanza delle norme di sicurezza. L'USO IMPROPRIO o la mancata osservanza delle norme di sicurezza riportate nel presente manuale manuale di istruzioni potrebbero causare lesioni personali gravi.

Istruzioni di sicurezza importanti per la cartuccia della batteria

1. Prima di utilizzare la cartuccia della batteria, leggere tutte le istruzioni e le avvertenze riportate (1) sul caricabatteria, (2) sulla batteria e (3) sul prodotto che utilizza la batteria.
2. Non smantellare né manomettere la cartuccia della batteria. In caso contrario, si potrebbe causare un incendio, calore eccessivo o un'esplosione.
3. Qualora il tempo di utilizzo si riduca eccessivamente, interrompere immediatamente l'utilizzo dell'utensile. In caso contrario, si può incorrere nel rischio di surriscaldamento, possibili ustioni e persino un'esplosione.
4. Qualora l'elettrolita entri in contatto con gli occhi, sciacquarli con acqua pulita e richiedere immediatamente assistenza medica. Questa eventualità può risultare nella perdita della vista.
5. Non cortocircuitare la cartuccia della batteria:
 - (1) Non toccare i terminali con alcun materiale conduttivo.
 - (2) Evitare di conservare la cartuccia della batteria in un contenitore insieme ad altri oggetti metallici quali chiodi, monete, e così via.
 - (3) Non esporre la cartuccia della batteria all'acqua o alla pioggia.
 Un cortocircuito della batteria può causare un grande flusso di corrente, un surriscaldamento, possibili ustioni e persino un guasto.
6. Non conservare e utilizzare l'utensile e la cartuccia della batteria in ubicazioni in cui la temperatura possa raggiungere o superare i 50 °C.
7. Non incenerire la cartuccia della batteria anche qualora sia gravemente danneggiata o completamente esaurita. La cartuccia della batteria può esplodere se a contatto con il fuoco.

8. Non inchiodare, tagliare, schiacciare, lanciare o far cadere la cartuccia della batteria, né farla urtare con forza contro un oggetto duro. Questi comportamenti potrebbero risultare in un incendio, calore eccessivo o un'esplosione.
9. Non utilizzare una batteria danneggiata.
10. Le batterie a ioni di litio contenute sono soggette ai requisiti del regolamento sul trasporto di merci pericolose (Dangerous Goods Legislation).
Per trasporti commerciali, ad esempio da parte di terzi o spedizionieri, è necessario osservare dei requisiti speciali sull'imballaggio e sull'etichetta. Per la preparazione dell'articolo da spedire, è richiesta la consulenza di un esperto in materiali pericolosi. Attenersi anche alle normative nazionali, che potrebbero essere più dettagliate. Nastrare o coprire i contatti aperti e imballare la batteria in modo tale che non si possa muovere liberamente all'interno dell'imballaggio.
11. Quando si intende smaltire la cartuccia della batteria, rimuoverla dall'utensile e smaltirla in un luogo sicuro. Attenersi alle normative locali relative allo smaltimento della batteria.
12. Utilizzare le batterie esclusivamente con i prodotti specificati da Makita. L'installazione delle batterie in prodotti non compatibili potrebbe risultare in incendi, calore eccessivo, esplosioni o perdite di liquido elettrolitico.
13. Se l'utensile non viene utilizzato per un periodo di tempo prolungato, la batteria deve essere rimossa dall'utensile.
14. Durante e dopo l'uso, la cartuccia della batteria potrebbe assorbire calore, che può causare ustioni o ustioni a bassa temperatura. Fare attenzione a come si maneggiano le cartucce delle batterie estremamente calde.
15. Non toccare i terminali dell'utensile subito dopo l'uso, in quanto potrebbero diventare estremamente caldi al punto da causare ustioni.
16. Evitare di far incastrare schegge, polveri o terreno nei terminali, nei fori e nelle scanalature della cartuccia della batteria. In caso contrario, l'utensile o la cartuccia della batteria potrebbero riscaldarsi, prendere fuoco, scoppiare o guastarsi, causando ustioni o lesioni personali.
17. A meno che l'utensile supporti l'uso in prossimità di linee elettriche ad alta tensione, non utilizzare la cartuccia della batteria in prossimità di linee elettriche ad alta tensione. In caso contrario, si potrebbe causare un malfunzionamento o la rottura dell'utensile o della cartuccia della batteria.
18. Tenere la batteria lontana dai bambini.

CONSERVARE LE PRESENTI ISTRUZIONI.

⚠ATTENZIONE: Utilizzare solo batterie originali Makita. L'utilizzo di batterie Makita non originali, o di batterie che siano state alterate, potrebbe risultare nello scoppio della batteria, causando incendi, lesioni personali e danni. Inoltre, ciò potrebbe invalidare la garanzia Makita per l'utensile e il caricabatterie Makita.

Suggerimenti per preservare la durata massima della batteria

1. Caricare la cartuccia della batteria prima che si scarichi completamente. Smettere sempre di utilizzare l'utensile e caricare la cartuccia della batteria quando si nota che la potenza dell'utensile è diminuita.
2. Non ricaricare mai una cartuccia della batteria completamente carica. La sovraccarica riduce la vita utile della batteria.
3. Caricare la cartuccia della batteria a una temperatura ambiente compresa tra 10 °C e 40 °C. Lasciar raffreddare una cartuccia della batteria prima di caricarla.
4. Quando non si utilizza la cartuccia della batteria, rimuoverla dall'utensile o dal caricabatterie.
5. Caricare la cartuccia della batteria se non la si è utilizzata per un periodo di tempo prolungato (più di sei mesi).

DESCRIZIONE DELLE FUNZIONI

ATTENZIONE: Accertarsi sempre che l'utensile sia spento e che la cartuccia della batteria sia stata rimossa prima di regolare o di controllare il funzionamento dell'utensile.

Installazione o rimozione della cartuccia della batteria

ATTENZIONE: Spegnerne sempre l'utensile prima di installare o rimuovere la cartuccia della batteria.

ATTENZIONE: Mantenere saldamente lo strumento e la batteria quando si intende installare o rimuovere la cartuccia della batteria. Qualora non si mantengano saldamente lo strumento e la cartuccia della batteria, questi ultimi potrebbero scivolare dalle mani, con la possibilità di causare un danneggiamento dello strumento e della cartuccia della batteria, nonché una lesione personale.

► **Fig. 1:** 1. Indicatore rosso 2. Pulsante 3. Cartuccia della batteria

Per rimuovere la cartuccia della batteria, farla scorrere via dall'utensile mentre si fa scorrere allo stesso tempo il pulsante sulla parte anteriore della cartuccia.

Per installare la cartuccia della batteria, allineare la linguetta sulla cartuccia della batteria con la scanalatura nell'alloggiamento e farla scivolare in sede. Inserirli completamente fino al suo blocco in sede con un leggero scatto. Se è possibile vedere l'indicatore rosso, come indicato nella figura, non è bloccata completamente.

ATTENZIONE: Installare sempre fino in fondo la cartuccia della batteria, fino a quando l'indicatore rosso non è più visibile. In caso contrario, la batteria potrebbe cadere accidentalmente dall'utensile, causando lesioni personali all'operatore o a chi gli è vicino.

ATTENZIONE: Non installare forzatamente la cartuccia della batteria. Qualora la batteria non si inserisca scorrendo agevolmente, vuol dire che non viene inserita correttamente.

Sistema di protezione strumento/ batteria

L'utensile è dotato di un sistema di protezione dell'utensile stesso e della batteria. Tale sistema interrompe automaticamente l'alimentazione al motore per prolungare la vita utile dell'utensile e della batteria. L'utensile si arresta automaticamente durante il funzionamento, qualora l'utensile o la batteria vengano a trovarsi in una delle condizioni seguenti:

Protezione dal sovraccarico

Quando l'utensile o la batteria vengono utilizzati in un modo che causi un assorbimento di energia elevato in modo anomalo, l'utensile si arresta automaticamente. In questa circostanza, spegnere l'utensile e interrompere l'applicazione che ha causato il sovraccarico dell'utensile. Quindi, accendere l'utensile per ricominciare.

Protezione dal surriscaldamento

Quando l'utensile o la batteria sono surriscaldati, l'utensile si arresta automaticamente. In questa situazione, lasciar raffreddare l'utensile o la batteria prima di riaccendere l'utensile.

Protezione dalla sovraccarica

Quando la carica della batteria non è sufficiente, l'utensile si arresta automaticamente. In tal caso, rimuovere la batteria dall'utensile e caricarla.

Protezione da altre cause

Il sistema di protezione è progettato anche per altre cause che potrebbero danneggiare l'utensile, e consente all'utensile di arrestarsi automaticamente. Adottare tutte le misure seguenti per rimuovere le cause, quando l'utensile è stato portato a un'interruzione temporanea o a un arresto del funzionamento.

1. Spegnerne l'utensile, quindi riaccenderlo per ricominciare.
2. Caricare la batteria o le batterie, o sostituirla/sostituirele con una batteria o delle batterie ricaricate.
3. Lasciar raffreddare l'utensile e la batteria o le batterie.

Qualora non si riscontri alcun miglioramento ripristinando il sistema di protezione, contattare il proprio centro di assistenza locale Makita.

Indicazione della carica residua della batteria

Premere il pulsante di controllo sulla cartuccia della batteria per indicare la carica residua della batteria. Gli indicatori luminosi si illuminano per alcuni secondi.

► Fig.2: 1. Indicatori luminosi 2. Pulsante di controllo

Indicatori luminosi			Carica residua
■ Illuminato	□ Spento	▧ Lampeggiante	
■	■	■	Dal 75% al 100%
■	■	■	Dal 50% al 75%
■	□	□	Dal 25% al 50%
■	□	□	Dallo 0% al 25%
▧	□	□	Caricare la batteria.
■	■	□	La batteria potrebbe essersi guastata.
□	□	■	

NOTA: A seconda delle condizioni d'uso e della temperatura ambiente, l'indicazione potrebbe variare leggermente rispetto alla carica effettiva.

NOTA: Il primo indicatore luminoso (all'estremità sinistra) lampeggia quando il sistema di protezione della batteria è in funzione.

Pulsante di blocco del grilletto

ATTENZIONE: Prima di inserire la cartuccia della batteria nell'utensile, controllare sempre che l'interruttore a grilletto funzioni correttamente e torni sulla posizione "OFF" quando viene rilasciato.

ATTENZIONE: Quando non si utilizza l'utensile, premere il pulsante di blocco del grilletto dal lato B per bloccare l'interruttore a grilletto nella posizione di spegnimento.

► Fig.3: 1. Pulsante di blocco del grilletto
2. Interruttore a grilletto

► Fig.4

Per evitare di premere accidentalmente l'interruttore a grilletto, è fornito il pulsante di blocco del grilletto. Per premere l'interruttore a grilletto, premere il pulsante di blocco del grilletto dal lato A. Dopo l'uso, premere sempre il pulsante di blocco del grilletto dal lato B.

Regolazione della profondità di chiodatura con chiodi a spillo

AVVERTIMENTO: Accertarsi sempre che le dita non siano posizionate sull'interruttore a grilletto o sull'elemento di contatto e che la cartuccia della batteria sia rimossa, prima di regolare la profondità di chiodatura.

È possibile regolare la profondità di chiodatura a spillo ruotando il regolatore sull'utensile. Un chiodo a spillo viene applicato a una maggiore profondità se si ruota il regolatore verso la direzione A mostrata nella figura, e a una minore profondità nella direzione B, con un'escursione massima di 1,5.

► Fig.5: 1. Regolatore

► Fig.6: 1. Troppo profondo 2. Profondità corretta 3. Troppo in superficie

Illuminazione della lampada

ATTENZIONE: Non osservare né guardare direttamente la fonte di luce.

Per accendere la lampada, premere l'interruttore a grilletto o azionare l'elemento di contatto. La lampada resta illuminata per un massimo di 60 secondi mentre si tiene premuto l'interruttore a grilletto o si aziona l'elemento di contatto. La lampada si spegne circa 10 secondi dopo aver rilasciato l'interruttore a grilletto e l'elemento di contatto.

► Fig.7: 1. Lampadina

AVVISO: Per pulire la sporcizia dalla lente della lampadina, utilizzare un panno asciutto. Fare attenzione a non graffiare la lente della lampadina, altrimenti si potrebbe ridurre l'illuminazione.

AVVISO: L'utensile potrebbe non sparare chiodi a spillo dopo che la carica della batteria è diventata bassa, anche mentre la lampada resta illuminata. In questo caso, caricare la cartuccia della batteria.

AVVISO: Quando l'utensile è surriscaldato, la lampada lampeggia. In questo caso, rilasciare l'interruttore a grilletto e l'elemento di contatto, quindi far raffreddare l'utensile o la batteria, prima di riprendere l'utilizzo.

AVVISO: La lampada inizia a lampeggiare, qualora la chiodatrice a spillo rilevi un errore durante l'applicazione dei chiodi a spillo. In questo caso, portare la chiodatrice a spillo a un centro di assistenza autorizzato.

MONTAGGIO

⚠ATTENZIONE: Accertarsi sempre che le dita non siano posizionate sull'interruttore a grilletto o sull'elemento di contatto e che la cartuccia della batteria sia rimossa, prima di eseguire qualsiasi lavoro sulla chiodatrice per chiodi a spillo.

Caricamento e scaricamento dei chiodi a spillo

⚠ATTENZIONE: Prima di caricare i chiodi a spillo, accertarsi sempre che le dita non siano posizionate sul grilletto e che la cartuccia della batteria sia stata rimossa. Lo sparo accidentale può causare lesioni personali e danni alle cose.

⚠ATTENZIONE: Evitare di aprire e chiudere violentemente lo sportellino scorrevole del caricatore quando i chiodi a spillo sono caricati nel caricatore. La caduta accidentale di chiodi a spillo, specialmente quando si lavora in ubicazioni elevate, potrebbe causare lesioni personali.

1. Premere la leva di blocco e aprire lo sportellino scorrevole del caricatore.

► **Fig.8:** 1. Leva di blocco 2. Sportellino scorrevole 3. Caricatore

2. Inserire un nastro di chiodi a spillo con i triangoli punteggiati rivolti verso il basso, allineando le punte dei chiodi a spillo con le scanalature guida sul fondo del caricatore. Accertarsi che le punte dei chiodi a spillo tocchino il fondo del caricatore, quindi far scorrere delicatamente il nastro di chiodi a spillo verso la guida del propulsore.

► **Fig.9:** 1. Chiodi a spillo 2. Triangolo punteggiato 3. Scanalature guida 4. Guida del propulsore

► **Fig.10:** 1. Chiodi a spillo 2. Fondo del caricatore 3. Spazi vuoti

AVVISO: Accertarsi che le punte dei chiodi a spillo siano posizionate saldamente sul fondo del caricatore. Eventuali spazi vuoti intorno alle punte dei chiodi a spillo potrebbero causare inceppamenti e danni all'utensile.

AVVISO: Caricare i chiodi a spillo nella direzione corretta. Il caricamento nella direzione errata potrebbe causare un'usura prematura del propulsore e il danneggiamento delle altre parti.

AVVISO: Non utilizzare nastri di chiodi a spillo deformati. Utilizzare esclusivamente i chiodi a spillo specificati nel presente manuale. L'utilizzo di chiodi a spillo diversi da quelli specificati potrebbe causare l'inceppamento dei chiodi e la rottura dell'utensile.

AVVISO: Evitare di caricare nastri di chiodi contenenti un numero inferiore di chiodi a spillo, specialmente quando si intende utilizzare i chiodi a spillo su lunghezze brevi. In caso contrario, si potrebbero causare inceppamenti e danni all'utensile.

AVVISO: Non caricare contemporaneamente nastri di chiodi di lunghezze diverse o più nastri di chiodi contenenti un numero inferiore di chiodi a spillo. In caso contrario, si potrebbero causare inceppamenti e danni all'utensile.

3. Riportare lo sportellino scorrevole nella posizione originale e bloccarlo in sede con la leva di blocco.

AVVISO: Chiudere delicatamente lo sportellino scorrevole. L'applicazione di una forza eccessiva potrebbe causare la deformazione dei chiodi a spillo, e lo sportellino scorrevole potrebbe non tornare alla posizione originale.

Per rimuovere i chiodi a spillo, premere la leva di blocco e aprire lo sportellino scorrevole facendolo scorrere. Estrarre i chiodi a spillo dal caricatore.

Adattatore della punta

⚠ATTENZIONE: Accertarsi sempre che le dita non siano posizionate sull'interruttore a grilletto o sull'elemento di contatto e che la cartuccia della batteria sia rimossa, prima di installare l'adattatore della punta.

Quando si intende sparare chiodi a spillo su materiali con superfici che si rovinano facilmente, utilizzare l'adattatore della punta.

Posizionare l'adattatore della punta sull'estremità superiore di contatto della guida del propulsore, in modo che le sporgenze guida all'interno dell'adattatore della punta entrino bene nelle tacche guida presenti nella guida del propulsore.

È possibile conservare l'adattatore della punta nel supporto all'estremità posteriore del caricatore, per evitare che si perda.

► **Fig.11:** 1. Adattatore della punta 2. Guida del propulsore 3. Sporgenze guida 4. Tacche guida 5. Supporto

Adattatore della punta per l'applicazione su superfici piate

Accessorio opzionale

Utilizzare l'adattatore della punta opzionale, progettato per l'operazione di fissaggio su superfici piate e uniformi. L'adattatore protegge le superfici morbide del pezzo in lavorazione da segni e graffi che vengono causati da estremità di contatto a punta tonda.

► **Fig.12**

Posizionare l'adattatore della punta opzionale sull'estremità superiore di contatto della guida del propulsore, in modo che le sporgenze guida all'interno dell'adattatore della punta entrino bene nelle tacche guida presenti nella guida del propulsore.

► **Fig.13:** 1. Adattatore della punta opzionale 2. Guida del propulsore 3. Sporgenze guida 4. Tacche guida

Gancio

⚠ATTENZIONE: Quando si intende installare il gancio, fissarlo sempre saldamente con la vite. In caso contrario, il gancio potrebbe staccarsi dall'utensile e causare lesioni personali.

⚠ATTENZIONE: Utilizzare le parti per la sospensione o il montaggio esclusivamente per gli scopi a cui sono destinate. L'utilizzo a scopi diversi da quelli previsti potrebbe causare incidenti o lesioni personali.

⚠ATTENZIONE: Non appendere il gancio alla cintura. La caduta della chiodatrice per chiodi a spillo, causata dalla fuoriuscita accidentale del gancio dalla sua sede, potrebbe causare lo sparo accidentale e risultare in lesioni personali.

► Fig.14

Il gancio è comodo per appendere temporaneamente l'utensile. Questo gancio può venire installato da entrambi i lati dell'utensile.

Per installare il gancio, inserirlo in una delle scanalature presenti su entrambi i lati dell'alloggiamento dell'utensile, quindi fissarlo con una vite. Per rimuoverlo, allentare la vite ed estrarlo.

► Fig.15: 1. Scanalatura 2. Gancio 3. Vite

Conservazione della brugola

Conservare la brugola quando non è in uso, come indicato nella figura, per evitare che si perda.

► Fig.16: 1. Brugola

FUNZIONAMENTO

Verifica del sistema di sicurezza

⚠AVVERTIMENTO: Accertarsi che tutti i sistemi di sicurezza funzionino correttamente, prima dell'uso. In caso contrario, si potrebbero causare lesioni personali.

► Fig.17: 1. Pulsante di blocco del grilletto
2. Interruttore a grilletto 3. Elemento di contatto 4. Caricatore

Prima dell'uso, verificare l'eventuale presenza di guasti dei sistemi di sicurezza nel modo seguente.

1. Scaricare i chiodi a spillo dall'utensile e mantenere aperto il caricatore.
2. Installare la cartuccia della batteria e rilasciare il blocco del grilletto.
3. Premere l'interruttore a grilletto, senza fare toccare il materiale all'elemento di contatto.
4. Fare toccare il materiale all'elemento di contatto, senza premere l'interruttore a grilletto.

Qualora l'utensile entri in funzione nei casi 3 o 4 indicati sopra, i sistemi di sicurezza sono guasti. Interrompere immediatamente l'utilizzo dell'utensile e rivolgersi al proprio centro di assistenza Makita locale.

Applicazione dei chiodi a spillo

⚠AVVERTIMENTO: Non utilizzare la presente chiodatrice per chiodi a spillo per fissare cavi elettrici. L'utensile non è destinato all'installazione di cavi elettrici, e potrebbe danneggiare l'isolamento dei cavi, causando di conseguenza il rischio di scosse elettriche o incendi.

⚠AVVERTIMENTO: Continuare a tenere l'elemento di contatto saldamente sul materiale fino a quando il chiodo a spillo è stato applicato completamente. Lo sparo accidentale potrebbe causare lesioni personali.

⚠ATTENZIONE: Mantenere l'utensile saldamente durante l'uso.

⚠ATTENZIONE: Non utilizzare l'utensile oltre il tempo di funzionamento continuo consentito. In caso contrario, si potrebbero causare danni all'utensile, con conseguenti lesioni personali.

AVVISO: L'utensile non riavvia il fissaggio dopo cinque secondi di assenza di azionamento dell'interruttore, mentre l'elemento di contatto è posizionato sul pezzo in lavorazione. Per riavviare il fissaggio, tirare via l'elemento di contatto dal pezzo in lavorazione e riposizionarlo nello stesso punto.

1. Rilasciare il blocco del grilletto.
 2. Appoggiare l'elemento di contatto di piatto sul materiale.
 3. Premere a fondo l'interruttore a grilletto per applicare un chiodo a spillo.
 4. Per applicare il chiodo successivo, rimuovere il dito una volta dall'interruttore a grilletto, quindi ripetere i punti 2 e 3 indicati sopra.
- Fig.18: 1. Interruttore a grilletto 2. Elemento di contatto

È anche possibile applicare i chiodi a spillo quando si trascina l'utensile all'area successiva con l'elemento di contatto premuto contro il materiale e tenendo premuto l'interruttore grilletto.

► Fig.19

Qualora la testa del chiodo a spillo resti al di sopra della superficie del pezzo in lavorazione, applicare il chiodo a spillo tenendo ferma saldamente la testa della chiodatrice per chiodi a spillo contro il pezzo in lavorazione.

► Fig.20

NOTA: Qualora la testa del chiodo a spillo continui a restare al di sopra del pezzo in lavorazione, anche se si tiene ferma la testa della chiodatrice per chiodi a spillo, il materiale potrebbe non essere idoneo per la chiodatrice per chiodi a spillo. Qualora si continui a utilizzare la chiodatrice per chiodi a spillo su un materiale di questo tipo, si potrebbero causare danni al propulsore della chiodatrice per chiodi a spillo e/o inceppamenti di quest'ultima.

Meccanismo di prevenzione dello sparo a vuoto

AVVERTIMENTO: Prima di caricare la chiodatrice per chiodi a spillo, accertarsi sempre che le dita non siano posizionate sull'interruttore a grilletto o sull'elemento di contatto, e che la cartuccia della batteria sia stata rimossa.

Quando il numero di chiodi a spillo restanti nel caricatore è compreso tra 0 e 3 pezzi, non è più possibile premere l'interruttore a grilletto. A questo punto, inserire una nuova striscia di chiodi a spillo nel caricatore, ed è possibile di nuovo premere l'interruttore a grilletto.

NOTA: Quando si intende sparare chiodi a spillo di lunghezza diversa subito dopo che si è attivato il meccanismo di prevenzione dello sparo a vuoto, inserire una nuova striscia di chiodi a spillo nel caricatore e sparare via su materiale di scarto tutti i chiodi a spillo precedenti restanti.

Controllo dei chiodi a spillo restanti

È possibile controllare la quantità di chiodi a spillo restanti attraverso la finestrella di controllo.

L'indicatore rosso si sposta verso l'apertura di sparo, man mano che la quantità di chiodi restanti si riduce.

► **Fig.21:** 1. Finestrella di controllo 2. Indicatore

Rimozione dei chiodi a spillo inceppati

AVVERTIMENTO: Prima di rimuovere chiodi a spillo inceppati, accertarsi sempre che il grilletto sia stato rilasciato e che la cartuccia della batteria e i chiodi a spillo siano stati rimossi.

ATTENZIONE: Non rimuovere i chiodi a spillo inceppati a mani nude. In caso contrario, i chiodi a spillo potrebbero saltare fuori dal caricatore e causare lesioni personali.

1. Rimuovere tutti i chiodi a spillo restanti nel caricatore.
2. Svitare i tre bulloni esagonali sulla copertura della guida del propulsore utilizzando la brugola.
3. Rimuovere i chiodi a spillo inceppati dalle scanalature guida dei chiodi nella guida del propulsore.

► **Fig.22:** 1. Bullone esagonale 2. Copertura della guida del propulsore 3. Copertura superiore di contatto 4. Guida del propulsore

NOTA: Qualora risulti difficile rimuovere i chiodi a spillo inceppati, allentare i due bulloni esagonali sulla copertura superiore di contatto utilizzando la brugola, quindi estrarre i chiodi a spillo inceppati dalla guida del propulsore.

4. Rimettere a posto le coperture e fissarle saldamente sulla guida del propulsore con i bulloni esagonali.

AVVISO: Dopo aver rimosso gli inceppamenti, accertarsi sempre che le coperture sulla guida del propulsore siano state riassemblate correttamente. Qualora la guida del propulsore funzioni in modo improprio, assemblare di nuovo le coperture con i bulloni esagonali.

MANUTENZIONE

ATTENZIONE: Accertarsi sempre che l'utensile sia spento e che la cartuccia della batteria sia stata rimossa prima di tentare di eseguire interventi di ispezione o manutenzione.

AVVISO: Non utilizzare mai benzina, benzene, solventi, alcol o altre sostanze simili. In caso contrario, si potrebbero causare scolorimenti, deformazioni o crepe.

Per preservare la SICUREZZA e l'AFFIDABILITÀ del prodotto, le riparazioni e qualsiasi altro intervento di manutenzione e di regolazione devono essere eseguiti da un centro di assistenza autorizzato Makita, utilizzando sempre ricambi Makita.

Pulizia del caricatore

Pulire l'interno del caricatore a intervalli regolari. Soffiare o pulire via con un panno qualsiasi traccia di sporco, polveri, trucioli e colla per chiodi accumulati nelle scanalature guida.

► **Fig.23:** 1. Scanalature guida

AVVISO: Lo sporco e le polveri nelle scanalature guida potrebbero influenzare l'alimentazione dei chiodi a spillo, causando lo sparo a vuoto occasionale.

ACCESSORI OPZIONALI

ATTENZIONE: Questi accessori o componenti aggiuntivi sono consigliati per l'uso con l'utensile Makita specificato nel presente manuale. L'impiego di altri accessori o componenti aggiuntivi può costituire un rischio di lesioni alle persone. Utilizzare gli accessori o i componenti aggiuntivi solo per il loro scopo prefissato.

Per ottenere ulteriori dettagli relativamente a questi accessori, rivolgersi a un centro di assistenza Makita.

- Chiodi a spillo
- Adattatore della punta (per il fissaggio su superfici piate)
- Batteria e caricabatterie originali Makita

NOTA: Alcuni articoli nell'elenco potrebbero essere inclusi nell'imballaggio dell'utensile come accessori standard. Tali articoli potrebbero variare da nazione a nazione.

TECHNISCHE GEGEVENS

Model:	PT001G
Maat van nagels	ø0,6 mm x 15, 18, 25, 30, 35 mm
Capaciteit nagelmagazijn	100 stuks
Afmetingen met BL4025, zonder haak (l x b x h)	265 mm x 86 mm x 226 mm
Nominale spanning	D.C. 36 V - 40 V max
Nettogewicht	2,4 - 3,0 kg

- In verband met ononderbroken research en ontwikkeling, behouden wij ons het recht voor de bovenstaande technische gegevens zonder voorafgaande kennisgeving te wijzigen.
- De technische gegevens van de accu kunnen van land tot land verschillen.
- Het gewicht kan verschillen afhankelijk van de hulpstukken, waaronder de accu. De lichtste en zwaarste combinatie, overeenkomstig de EPTA-procedure 01/2014, worden getoond in de tabel.

Toepasselijke accu's en laders

Accu	BL4020* / BL4025* / BL4040 / BL4050F * : Aanbevolen accu
Lader	DC40RA / DC40RB / DC40RC

- Sommige van de hierboven vermelde accu's en laders zijn mogelijk niet leverbaar afhankelijk van waar u woont.

⚠WAARSCHUWING: Gebruik uitsluitend de accu's en laders die hierboven worden genoemd. Gebruik van enige andere accu of lader kan leiden tot letsel en/of brand.

Gebruiksdoeleinden

Het gereedschap is bedoeld voor het schieten van nagels in bouwmaterialen, zoals hout.

Geluidsniveau

De typische, A-gewogen geluidsniveaus zijn gemeten volgens EN60745-2-16:

Geluidsdruk niveau (L_{pA}): 79 dB (A)

Onzekerheid (K): 3 dB (A)

Het geluidsniveau kan tijdens gebruik hoger worden dan 80 dB (A).

OPMERKING: De opgegeven geluidsemissiewaarde(n) is/zijn gemeten volgens een standaardtestmethode en kan/kunnen worden gebruikt om dit gereedschap te vergelijken met andere gereedschappen.

OPMERKING: De opgegeven geluidsemissiewaarde(n) kan/kunnen ook worden gebruikt voor een beoordeling vooraf van de blootstelling.

⚠WAARSCHUWING: Draag gehoorbescherming.

⚠WAARSCHUWING: De geluidsemissie tijdens het gebruik van het elektrisch gereedschap in de praktijk kan verschillen van de opgegeven waarde(n) afhankelijk van de manier waarop het gereedschap wordt gebruikt, met name van het soort werkstuk waarmee wordt gewerkt.

⚠WAARSCHUWING: Zorg ervoor dat veiligheidsmaatregelen worden getroffen ter bescherming van de gebruiker die zijn gebaseerd op een schatting van de blootstelling onder praktijkomstandigheden (rekening houdend met alle fasen van de bedrijfscyclus, zoals de tijdsduur gedurende welke het gereedschap is uitgeschakeld en stationair draait, naast de ingeschakelde tijdsduur).

Trilling

De totale trillingswaarde zoals vastgesteld volgens EN60745-2-16:

Trillingsemissie (a_h): 2,5 m/s² of lager

Onzekerheid (K): 1,5 m/s²

OPMERKING: De totale trillingswaarde(n) is/zijn gemeten volgens een standaardtestmethode en kan/kunnen worden gebruikt om dit gereedschap te vergelijken met andere gereedschappen.

OPMERKING: De opgegeven totale trillingswaarde(n) kan/kunnen ook worden gebruikt voor een beoordeling vooraf van de blootstelling.

⚠️ WAARSCHUWING: De trillingsemisatie tijdens het gebruik van het elektrisch gereedschap in de praktijk kan verschillen van de opgegeven waarde(n) afhankelijk van de manier waarop het gereedschap wordt gebruikt, met name van het soort werkstuk waarmee wordt gewerkt.

⚠️ WAARSCHUWING: Zorg ervoor dat veiligheidsmaatregelen worden getroffen ter bescherming van de gebruiker die zijn gebaseerd op een schatting van de blootstelling onder praktijkomstandigheden (rekening houdend met alle fasen van de bedrijfsfycclus, zoals de tijdsduur gedurende welke het gereedschap is uitgeschakeld en stationair draait, naast de ingeschakelde tijdsduur).

EG-verklaring van conformiteit

Alleen voor Europese landen

De EG-verklaring van conformiteit is bijgevoegd als Bijlage A bij deze gebruiksaanwijzing.

VEILIGHEIDSWAARSCHUWINGEN

Algemene veiligheidswaarschuwingen voor elektrisch gereedschap

⚠️ WAARSCHUWING: Lees alle veiligheidswaarschuwingen, aanwijzingen, afbeeldingen en technische gegevens behorend bij dit elektrische gereedschap aandachtig door. Als u niet alle onderstaande aanwijzingen naleeft, kan dat resulteren in brand, elektrische schokken en/of ernstig letsel.

Bewaar alle waarschuwingen en instructies om in de toekomst te kunnen raadplegen.

De term "elektrisch gereedschap" in de veiligheidsvoorschriften duidt op gereedschappen die op stroom van het lichtnet werken (met snoer) of gereedschappen met een accu (snoerloos).

Veiligheidswaarschuwingen voor een accunagelpistool

1. **Ga er altijd van uit dat in het gereedschap bevestigingsmiddelen zitten.** Onzorgvuldig omgaan met het nagelpistool kan resulteren in onverwacht schieten van bevestigingsmiddelen waardoor persoonlijk letsel kan ontstaan.
2. **Richt het gereedschap niet op uzelf of iemand in de buurt.** Door onverwachte bediening zal het bevestigingsmiddel worden geschoten met letsel tot gevolg.
3. **Schakel het gereedschap niet in als dit niet stevig tegen het werkstuk wordt gedrukt.** Als het gereedschap niet het werkstuk raakt, kan het bevestigingsmiddel van het doel afbuigen.

4. **Koppel het gereedschap los van de voeding wanneer het bevestigingsmiddel vastloopt in het gereedschap.** Tijdens het verwijderen van een vastgelopen bevestigingsmiddel, kan het nagelpistool per ongeluk worden geactiveerd als het is aangesloten op de voeding.
5. **Wees voorzichtig bij het verwijderen van een vastgelopen bevestigingsmiddel.** Het mechanisme kan onder druk staan en het vastgelopen bevestigingsmiddel kan met kracht eruit komen terwijl u het probeert vrij te maken.
6. **Gebruik het nagelpistool niet voor het bevestigen van elektriciteitskabels.** Het is niet ontworpen voor de installatie van elektriciteitskabels en kan de isolatie van de elektriciteitskabels beschadigen en hierdoor elektrische schokken of brandgevaar veroorzaken.
7. **Houd uw handen en voeten uit de buurt van de uitwerpopening.**
8. **Volg de instructies voor het smeren en verwisselen van accessoires.**
9. **Verwijder altijd de accu voordat u nieuwe bevestigingsmiddelen laadt, tijdens afstellen, inspectie, onderhoud of nadat het werk is voltooid.**
10. **Verzeker u ervan alvorens het gereedschap te bedienen dat niemand dichtbij staat. Probeer nooit tegelijkertijd van binnenuit en van buitenaf bevestigingsmiddelen in een muur te schieten.** De bevestigingsmiddelen kunnen er dwars doorheen schieten of afketsen en een groot gevaar opleveren.
11. **Zorg ervoor dat u tijdens het gebruik van het gereedschap stevig staat en uw evenwicht goed bewaart.** Controleer of er zich niemand beneden u bevindt wanneer u op hoge plaatsen gaat werken.
12. **Gebruik nooit elektrisch bevestigingsgereedschap met daarop het symbool "Gebruik het gereedschap niet op een steiger of ladder" bij bepaalde toepassingen, bijvoorbeeld:**
 - als bij het veranderen van een werkplek naar de volgende, gebruik gemaakt wordt van een steiger, trap, ladder of soortgelijke constructies, bijv. daklatten;
 - bij het sluiten van dozen of kratten;
 - bij het monteren van transportbeveiligingssytemen, bijv. op voertuigen en aanhangers.
13. **Controleer muren, plafonds, vloeren en dergelijke grondig om te voorkomen dat door het nieten in elektrische draden, pijpen of gasleidingen een elektrische schok, gaslek, explosie, enz., kan ontstaan.**
14. **Gebruik uitsluitend bevestigingsmiddelen die in deze gebruiksaanwijzing worden aangegeven.** Door een ander soort bevestigingsmiddel te gebruiken, kan een storing in het gereedschap worden veroorzaakt.
15. **Knoei niet aan het gereedschap en gebruik het niet voor een ander doeleinde dan voor het aanbrengen van bevestigingsmiddelen.**
16. **Bedien het gereedschap niet zonder dat er bevestigingsmiddelen in zitten.** De levensduur van het gereedschap zal hierdoor korter worden.
17. **Stop onmiddellijk met bevestigen als u een probleem of iets vreemds opmerkt aan het gereedschap.**

18. **Breng nooit bevestigingsmiddelen aan in materialen die de bevestigingsmiddelen kunnen doorboren en er doorheen kunnen vliegen.**
19. **Bedien nooit op hetzelfde moment de trekverschakelaar en de contactschoen tot u er klaar voor bent om een bevestigingsmiddel aan te brengen in het werkstuk. Laat het werkstuk de contactschoen indrukken. Doe de werking van het apparaat niet teniet door de contactschoen vast te zetten of met de hand ingedrukt te houden.**
20. **Knoei nooit aan de contactschoen. Controleer de contactschoen regelmatig op correcte werking.**
21. **Haal de bevestigingsmiddelen altijd uit het gereedschap wanneer u het niet gebruikt.**
8. **Laat de accu niet vallen, sla er geen spijker in, snijd er niet in, gooi er niet mee en stoot hem niet tegen een hard voorwerp.** Dergelijke handelingen kunnen leiden tot brand, buitensporige hitte of een explosie.
9. **Gebruik nooit een beschadigde accu.**
10. **De bijgeleverde lithium-ionbatterijen zijn onderhevig aan de vereisten in de wetgeving omtrent gevaarlijke stoffen.**
Voor commercieel transport en dergelijke door derden en transporteurs moeten speciale vereisten ten aanzien van verpakking en etikettering worden nageleefd.
Als voorbereiding van het artikel dat wordt getransporteerd is het noodzakelijk een expert op het gebied van gevaarlijke stoffen te raadplegen. Houd u tevens aan mogelijk strengere nationale regelgeving. Blootliggende contactpunten moeten worden afgedekt met tape en de accu moet zodanig worden verpakt dat deze niet kan bewegen in de verpakking.

BEWAAR DEZE VOORSCHRIFTEN.

⚠ WAARSCHUWING: Laat u NIET misleiden door een vals gevoel van comfort en bekendheid met het gereedschap (na veelvuldig gebruik) en neem alle veiligheidsvoorschriften van het betreffende gereedschap altijd strikt in acht. **VERKEERD GEBRUIK** of het niet naleven van de veiligheidsvoorschriften in deze gebruiksaanwijzing kan leiden tot ernstig letsel.

Belangrijke veiligheidsinstructies voor een accu

1. **Lees alle voorschriften en waarschuwingen op (1) de acculader, (2) de accu, en (3) het product waarvoor de accu wordt gebruikt, alvorens de accu in gebruik te nemen.**
2. **Haal de accu niet uit elkaar en saboteer hem niet.** Dit kan leiden tot brand, buitensporige hitte of een explosie.
3. **Als de gebruikstijd van een opgeladen accu aanzienlijk korter is geworden, moet u het gebruik ervan onmiddellijk stopzetten.** Voortgezet gebruik kan oververhitting, brandwonden en zelfs een ontploffing veroorzaken.
4. **Als elektrolyt in uw ogen is terechtgekomen, spoelt u uw ogen met schoon water en roept u onmiddellijk de hulp van een dokter in.** Elektrolyt in de ogen kan blindheid veroorzaken.
5. **Voorkom kortsluiting van de accu:**
 - (1) **Raak de accuklemmen nooit aan met een geleidend materiaal.**
 - (2) **Bewaar de accu niet in een bak waarin andere metalen voorwerpen zoals spijkers, munten e.d. worden bewaard.**
 - (3) **Stel de accu niet bloot aan water of regen.** Kortsluiting van de accu kan oorzaak zijn van een grote stroomafgifte, oververhitting, brandwonden, en zelfs defecten.
6. **Bewaar en gebruik het gereedschap en de accu niet op plaatsen waar de temperatuur kan oplopen tot 50 °C of hoger.**
7. **Werp de accu nooit in het vuur, ook niet wanneer hij zwaar beschadigd of volledig versleten is. De accu kan ontploffen in het vuur.**
11. **Wanneer u de accu wilt weggooiën, verwijdert u de accu vanaf het gereedschap en gooit u hem op een veilige manier weg. Volg bij het weggooiën van de accu de plaatselijke voorschriften.**
12. **Gebruik de accu's uitsluitend met de gereedschappen die door Makita zijn aanbevolen.** Als de accu's worden aangebracht in niet-compatibele gereedschappen, kan dat leiden tot brand, buitensporige warmteontwikkeling, een explosie of lekkage van elektrolyt.
13. **Als u het gereedschap gedurende een lange tijd niet denkt te gaan gebruiken, moet de accu vanaf het gereedschap worden verwijderd.**
14. **Tijdens en na gebruik, kan de accu heet worden waardoor brandwonden of koude brandwonden kunnen worden veroorzaakt. Wees voorzichtig bij het hanteren van een hete accu.**
15. **Raak de aansluitpunten van het gereedschap niet onmiddellijk na gebruik aan omdat deze heet genoeg kunnen zijn om brandwonden te veroorzaken.**
16. **Zorg ervoor dat geen steenslag, stof of grond vast komt te zitten op/in de aansluitpunten, openingen en groeven van de accu.** Hierdoor kan oververhitting, brand, een barst en een storing in het gereedschap of de accu ontstaan waardoor brandwonden of persoonlijk letsel kunnen ontstaan.
17. **Behalve indien gebruik van het gereedschap is toegestaan in de buurt van hoogspanningsleidingen, mag u de accu niet gebruiken in de buurt van een hoogspanningsleiding.** Dit kan leiden tot een storing of een defect van het gereedschap of de accu.
18. **Houd de accu uit de buurt van kinderen.**

BEWAAR DEZE INSTRUCTIES.

⚠ LET OP: Gebruik uitsluitend originele Makita accu's. Het gebruik van niet-originele accu's, of accu's die zijn gewijzigd, kan ertoe leiden dat de accu ontploft en brand, persoonlijk letsel en schade veroorzaakt. Ook vervalt daarmee de garantie van Makita op het gereedschap en de lader van Makita.

Tips voor een maximale levensduur van de accu

1. Laad de accu op voordat hij volledig ontladen is. Stop het gebruik van het gereedschap en laad de accu op telkens wanneer u vaststelt dat het vermogen van het gereedschap is afgenomen.
2. Laad een volledig opgeladen accu nooit opnieuw op. Te lang opladen verkort de levensduur van de accu.
3. Laad de accu op bij een omgevingstemperatuur tussen 10 °C en 40 °C. Laat een warme accu afkoelen alvorens hem op te laden.
4. Als de accu niet wordt gebruikt, verwijdert u hem vanaf het gereedschap of de lader.
5. Laad de accu op als u deze gedurende een lange tijd (meer dan zes maanden) niet gaat gebruiken.

BESCHRIJVING VAN DE FUNCTIES

⚠ LET OP: Zorg altijd dat het gereedschap is uitgeschakeld en de accu ervan is verwijderd alvorens de functies op het gereedschap af te stellen of te controleren.

De accu aanbrengen en verwijderen

⚠ LET OP: Schakel het gereedschap altijd uit voordat u de accu aanbrengt of verwijdert.

⚠ LET OP: Houd het gereedschap en de accu stevig vast tijdens het aanbrengen of verwijderen van de accu. Als u het gereedschap en de accu niet stevig vasthoudt, kunnen deze uit uw handen glijpen en het gereedschap of de accu beschadigen, of kan persoonlijk letsel worden veroorzaakt.

► Fig.1: 1. Rood deel 2. Knop 3. Accu

Om de accu te verwijderen verschuift u de knop aan de voorkant van de accu en schuift u tegelijkertijd de accu uit het gereedschap.

Om de accu aan te brengen lijnt u de lip op de accu uit met de groef in de behuizing en duwt u de accu op zijn plaats. Steek de accu zo ver mogelijk in het gereedschap tot u een klikgeluid hoort. Wanneer het rode deel zichtbaar is, zoals aangegeven in de afbeelding, is de accu niet geheel vergrendeld.

⚠ LET OP: Breng de accu altijd helemaal aan totdat het rode deel niet meer zichtbaar is. Als u dit niet doet, kan de accu per ongeluk uit het gereedschap vallen en u of anderen in uw omgeving verwonden.

⚠ LET OP: Breng de accu niet met kracht aan. Als de accu niet gemakkelijk in het gereedschap kan worden geschoven, wordt deze niet goed aangebracht.

Gereedschap-/accubeveiligingssysteem

Het gereedschap is voorzien van een gereedschap-/accubeveiligingssysteem. Dit systeem schakelt automatisch de voeding naar de motor uit om de levensduur van het gereedschap en de accu te verlengen. Het gereedschap kan tijdens het gebruik automatisch stoppen als het gereedschap of de accu aan één van de volgende omstandigheden wordt blootgesteld:

Overbelastingsbeveiliging

Als het gereedschap/de accu wordt bediend op een manier waardoor een abnormaal hoge stroom wordt getrokken, stopt het gereedschap automatisch. Schakel in die situatie het gereedschap uit en stop het gebruik dat ertoe leidde dat het gereedschap overbelast raakte. Schakel vervolgens het gereedschap in om het weer te starten.

Oververhittingsbeveiliging

Wanneer het gereedschap/de accu oververhit is, stopt het gereedschap automatisch. Laat in deze situatie het gereedschap/de accu afkoelen voordat u het gereedschap weer inschakelt.

Beveiliging tegen te ver ontladen

Als de acculading onvoldoende is, stopt het gereedschap automatisch. In dit het geval verwijdert u de accu vanaf het gereedschap en laadt u de accu op.

Beveiliging tegen andere oorzaken

Het beveiligingssysteem is ook ontworpen voor andere oorzaken die het gereedschap kunnen beschadigen, en zorgt ervoor dat het gereedschap automatisch stopt. Voer alle volgende stappen uit om de oorzaken op te heffen, wanneer het gereedschap tijdelijk is onderbroken of tijdens het gebruik is gestopt.

1. Schakel het gereedschap uit en schakel het daarna weer in om het opnieuw te starten.
2. Laad de accu('s) op of vervang hem/ze door (een) opgeladen accu('s).
3. Laat het gereedschap en de accu('s) afkoelen.

Als geen verbetering optreedt nadat het beveiligingssysteem is gereset, neemt u contact op met uw lokale Makita-servicecentrum.

De resterende acculading controleren

Druk op de testknop op de accu om de resterende acculading te zien. De indicatorlampjes branden gedurende enkele seconden.

► Fig.2: 1. Indicatorlampjes 2. Testknop

Indicatorlampjes			Resterende acculading
Brandt	Uit	Knippert	
■	□	▧	75% tot 100%
■ ■ ■ ■			50% tot 75%
■ ■	□ □		25% tot 50%
■	□ □ □ □		0% tot 25%
▧	□ □ □ □		Laad de accu op.
■ ■	□ □		Er kan een storing zijn opgetreden in de accu.
□ □	■ ■	↑ ↓	

OPMERKING: Afhankelijk van de gebruiksomstandigheden en de omgevingstemperatuur, is het mogelijk dat de aangegeven acculading verschilt van de werkelijke acculading.

OPMERKING: Het eerste (meest linker) indicatorlampje knippert wanneer het accubeveiligingssysteem in werking is getreden.

Trekkervergrendelknop

▲LET OP: Alvorens de accu in het gereedschap te plaatsen, moet u altijd controleren of de trekkerschakelaar goed werkt en bij het loslaten terugkeert naar de stand "OFF".

▲LET OP: Wanneer u het gereedschap niet gebruikt, drukt u op de trekkervergrendelknop vanaf de B-kant om de trekkerschakelaar te vergrendelen in de uit-stand.

► Fig.3: 1. Trekkervergrendelknop
2. Trekkerschakelaar

► Fig.4

Om te voorkomen dat de trekkerschakelaar per ongeluk wordt bediend, is de trekkervergrendelknop aangebracht.

Om de trekkerschakelaar te kunnen inknijpen, duwt u tegen de trekkervergrendelknop vanaf kant A.

Duw na gebruik altijd tegen de trekkervergrendelknop vanaf kant B.

Afstellen van de nageldiepte

▲WAARSCHUWING: Zorg er altijd voor dat uw vingers niet zijn geplaatst op de trekkerschakelaar of de contactschoen en dat de accu is verwijderd voordat u de nageldiepte instelt.

De nageldiepte kan worden ingesteld door de instelknop op het gereedschap te draaien. Een nagel wordt dieper geschoten wanneer u de instelknop draait in de richting A, aangegeven in de afbeelding, en minder diep in de richting B, binnen een bereik van 1,5 mm.

► Fig.5: 1. Instelknop

► Fig.6: 1. Te diep 2. Correcte diepte 3. Te ondiep

De lamp inschakelen

▲LET OP: Kijk niet direct in het lamplicht of in de lichtbron.

Knijp de trekkerschakelaar in of druk de contactschoen tegen het werkstuk om de lamp in te schakelen. De lamp blijft maximaal 60 seconden branden terwijl de trekkerschakelaar ingeknepen wordt gehouden of de contactschoen tegen het werkstuk wordt gedrukt. De lamp gaat uit ongeveer 10seconden nadat de trekkerschakelaar is losgelaten en de contactschoen van het werkstuk is gehaald.

► Fig.7: 1. Lamp

KENNISGEVING: Gebruik een droge doek om vuil van de lens van de lamp af te vegen. Wees voorzichtig dat u de lens van de lamp niet bekrast omdat dan de verlichting minder wordt.

KENNISGEVING: Het gereedschap schiet mogelijk geen nagel af wanneer de acculading laag is geworden, ondanks dat de lamp nog brand. Als dat gebeurt, moet u de accu opladen.

KENNISGEVING: Wanneer het gereedschap oververhit is, knippert de lamp. Laat in dat geval de trekkerschakelaar los en haal de contactschoen van het werkstuk, en laat het gereedschap/de accu afkoelen voordat u deze weer gebruikt.

KENNISGEVING: De lamp begint te knippen wanneer het nagelpistool een fout detecteert tijdens het schieten van nagels. Breng in dat geval het nagelpistool naar een fabrieksservicecentrum.

MONTAGE

▲LET OP: Zorg er altijd voor dat uw vingers niet zijn geplaatst op de trekkerschakelaar of de contactschoen en dat de accu is verwijderd voordat u enige werkzaamheden aan het nagelpistool gaat uitvoeren.

Nagels laden en verwijderen

⚠ LET OP: Zorg er altijd voor dat uw vingers niet zijn geplaatst op de trekker en dat de accu is verwijderd voordat u nagels laadt. Onbedoeld schieten kan resulteren in persoonlijk letsel en beschadiging aan eigendommen.

⚠ LET OP: Voorkom dat de schuif van het magazijn open of dicht slaat terwijl er nagels zijn geladen in het magazijn. Als u per ongeluk nagels laat vallen, met name wanneer u op grote hoogte werkt, kan dat leiden tot persoonlijk letsel.

1. Druk tegen de vergrendelhendel en open de schuif van het magazijn.
▶ **Fig.8:** 1. Vergrendelhendel 2. Schuif 3. Magazijn
2. Plaats een strip nagels met de gestippelde driehoeken omlaag gericht en lijn daarbij de punten van de nagels uit met de geleidegroeven in de onderkant van het magazijn. Verzeker u ervan dat de punten van de nagels tegen de onderkant van het magazijn komen en schuif daarna de strip nagels voorzichtig in de richting van de stotergeleider.
▶ **Fig.9:** 1. Nagels 2. Gestippelde driehoek 3. Geleidegroeven 4. Stotergeleider
▶ **Fig.10:** 1. Nagels 2. Onderkant van het magazijn 3. Openingen

KENNISGEVING: Verzeker u ervan dat de punten van de nagels stevig op de onderkant van het magazijn worden geplaatst. Enige ruimte onder de punten van de nagels kan leiden tot vastlopen en beschadiging van het gereedschap.

KENNISGEVING: Laad de nagels in de juiste richting. Door in de verkeerde richting te laden, kan voortijdige slijtage van de stoter en beschadiging van andere onderdelen worden veroorzaakt.

KENNISGEVING: Gebruik geen vervormde strippen nagels. Gebruik de nagels die in deze gebruiksaanwijzing worden aangegeven. Het gebruik van andere nagels dan die zijn aangegeven kan ertoe leiden dat nagels vastlopen en het gereedschap defect raakt.

KENNISGEVING: Vermijd het plaatsen van strippen nagels met minder nagels erin, met name wanneer kortere nagels worden gebruikt. Dit kan leiden tot vastlopen en beschadiging van het gereedschap.

KENNISGEVING: Laad niet tegelijkertijd strippen nagels van verschillende lengten of meerdere strippen nagels met minder nagels erin. Anders kan dit leiden tot vastlopen en beschadiging van het gereedschap.

3. Zet de schuif terug in zijn oorspronkelijke stand en vergrendel deze op zijn plaats met behulp van de vergrendelhendel.

KENNISGEVING: Sluit de schuif voorzichtig. Als buitensporige kracht wordt uitgeoefend kunnen de nagels worden vervormd, en kan de schuif mogelijk niet in zijn oorspronkelijke stand worden teruggezet.

Om de nagels te verwijderen, drukt u op de vergrendelhendel en schuift u de schuif open. Haal de nagels uit het magazijn.

Neusadapter

⚠ LET OP: Zorg er altijd voor dat uw vingers niet zijn geplaatst op de trekverschakelaar of de contactshoel en dat de accu is verwijderd voordat u de neusadapter aanbrengt.

Wanneer u nagels schiet in een materiaal met een snel beschadigd oppervlak, gebruikt u de neusadapter. Plaats de neusadapter over het uiteinde van de stotergeleider zodat de uitsteeksels binnenin de neusadapter precies vallen in de inkepingen in de stotergeleider. U kunt de neusadapter in de houder aan de achterkant van het magazijn opbergen zodat hij niet kwijtraakt.
▶ **Fig.11:** 1. Neusadapter 2. Stotergeleider 3. Uitsteeksels 4. Inkepingen 5. Houder

Neusadapter voor schieten in vlakke ondergronden

Optioneel accessoire

Gebruik de optionele neusadapter die is ontworpen voor het bevestigen op vlakke ondergronden. Deze beschermt het zachte oppervlak van het werkstuk tegen deuken en krassen die worden gemaakt door het ronde uiteinde van de stotergeleider.

▶ **Fig.12**

Plaats de optionele neusadapter over het uiteinde van de stotergeleider zodat de uitsteeksels binnenin de neusadapter precies vallen in de inkepingen in de stotergeleider.

▶ **Fig.13:** 1. Optionele neusadapter 2. Stotergeleider 3. Uitsteeksels 4. Inkepingen

Haak

⚠ LET OP: Als u de haak aanbrengt, bevestigt u deze altijd stevig met de schroef. Als u dit niet doet, kan de haak losraken en tot persoonlijk letsel leiden.

⚠ LET OP: Gebruik de onderdelen voor ophangen of monteren uitsluitend waarvoor ze zijn bedoeld. Het gebruik voor onbedoelde doeleinden kan leiden tot een ongeval of persoonlijk letsel.

⚠ LET OP: Hang de haak niet aan uw broekriem. Als u het nagelpistool laat vallen, bijvoorbeeld doordat de haak per ongeluk van zijn plaats losraakt, kunnen nagels worden afgeschoten en kan persoonlijk letsel worden veroorzaakt.

▶ **Fig.14**

De haak is handig om het gereedschap tijdelijk op te hangen. Deze kan aan beide kanten van het gereedschap worden aangebracht.

U brengt de haak aan door deze in een groef in de behuizing van het gereedschap te steken en vast te zetten met een schroef. Om de haak te verwijderen, draait u de schroef los en haalt u de haak van het gereedschap af.

▶ **Fig.15:** 1. Groef 2. Haak 3. Schroef

Opbergplaats voor inbussleutel

Wanneer de inbussleutel niet wordt gebruikt, bergt u hem op zoals aangegeven in de afbeelding zodat u hem niet verliest.

► Fig.16: 1. Inbussleutel

BEDIENING

Het veiligheidssysteem testen

⚠ WAARSCHUWING: Controleer voor gebruik of alle veiligheidssystemen goed werken. Als u dat niet doet, kan dit leiden tot persoonlijk letsel.

► Fig.17: 1. Trekkervergrendelknop
2. Trekkerschakelaar 3. Contactschoen
4. Magazijn

Test vóór gebruik de veiligheidssystemen als volgt op een mogelijke storing.

1. Verwijder alle nagels uit het gereedschap en laat het magazijn open staan.
2. Breng de accu aan en ontgrendel de trekkervergrendeling.
3. Knijp de trekkerschakelaar in zonder de contactschoen tegen het werkstuk te drukken.
4. Druk de contactschoen tegen het werkstuk zonder de trekkerschakelaar in te knijpen.

Als het gereedschap werkt in het geval van 3 of 4 hierboven is het veiligheidssysteem defect. Stop onmiddellijk met het gebruik van het gereedschap en vraag uw plaatselijke servicecentrum het gereedschap te repareren.

Nagels schieten

⚠ WAARSCHUWING: Gebruik het nagelpistool niet voor het bevestigen van elektriciteitskabels. Het is niet ontworpen voor de installatie van elektriciteitskabels en kan de isolatie van de elektriciteitskabels beschadigen en hierdoor elektrische schokken of brandgevaar veroorzaken.

⚠ WAARSCHUWING: Blijf de contactschoen stevig tegen het materiaal drukken totdat de nagel volledig in het werkstuk verdwijnt. Onbedoeld schieten kan leiden tot persoonlijk letsel.

⚠ LET OP: Houd het gereedschap stevig vast tijdens gebruik.

⚠ LET OP: Gebruik het gereedschap niet langer dan de maximaal toegestane continue gebruiksduur. Anders kan het gereedschap worden beschadigd wat kan leiden tot persoonlijk letsel.

KENNISGEVING: Het gereedschap zal het schieten niet hervatten wanneer de schakelaar gedurende vijf seconden niet is bediend terwijl de contactschoen op het werkstuk is geplaatst. Haal de contactschoen van het werkstuk af en plaats hem weer terug op het werkstuk om het schieten te hervatten.

1. Ontgrendel de trekkervergrendeling.
 2. Druk de contactschoen vlak op het materiaal.
 3. Knijp de trekkerschakelaar helemaal in om een nagel te schieten.
 4. Om de volgende nagel te schieten, haalt u eerst uw vinger van de trekkerschakelaar af en herhaalt u de bovenstaande stappen 2 en 3.
- Fig.18: 1. Trekkerschakelaar 2. Contactschoen

U kunt ook nagels schieten wanneer u het gereedschap naar de volgende nagelplaats sleept terwijl de contactschoen tegen het materiaal gedrukt blijft, door de trekkerschakelaar in te knijpen.

► Fig.19

Als de bovenkant van de nagel boven het oppervlak van het werkstuk blijft uitsteken, schiet u de nagel door de kop van het nagelpistool stevig tegen het werkstuk gedrukt te houden.

► Fig.20

OPMERKING: Als de bovenkant van de nagel nog steeds boven het werkstuk blijft uitsteken ondanks dat u de kop van het nagelpistool aangedrukt houdt, is het materiaal mogelijk niet geschikt voor het nagelpistool. Als u het nagelpistool blijft gebruiken op dergelijk materiaal, kan de stoter van het nagelpistool worden beschadigd en/of kunnen nagels vastlopen.

Droogschietpreventiemechanisme

⚠ WAARSCHUWING: Zorg er altijd voor dat uw vingers niet zijn geplaatst op de trekkerschakelaar of de contactschoen en dat de accu is verwijderd voordat u de nagels laadt.

Als het aantal overgebleven nagels in het magazijn tussen 0 en 3 stuks is, kan de trekkerschakelaar niet meer worden ingeknepen. U moet dan een nieuwe strip nagels in het magazijn plaatsen waarna u de trekkerschakelaar weer kunt inknijpen.

OPMERKING: Als u nagels van een andere lengte schiet kort nadat het droogschietpreventiemechanisme heeft gewerkt, plaatst u een nieuwe strip nagels in het magazijn en schiet u alle overgebleven nagels van de eerdere lengte in een stuk afvalhout.

De resterende nagels controleren

U kunt het aantal resterende nagels controleren door het kijkvenster.

De rode indicator beweegt in de richting van de schietmond wanneer het aantal resterende nagels kleiner wordt.

► Fig.21: 1. Kijkvenster 2. Indicator

Vastgelopen nagels verwijderen

⚠ WAARSCHUWING: Zorg er altijd voor dat de trekker losgelaten is en dat de accu en nagels verwijderd zijn voordat u vastgelopen nagels verwijdert.

⚠ LET OP: Verwijder vastgelopen nagels niet met blote handen. De nagels kunnen uit het magazijn springen en letsel veroorzaken.

1. Verwijder alle nagels die nog in het magazijn zitten.
2. Draai de drie inbusbouten uit het stotergeleiderdeksel met behulp van de inbusleutel.
3. Verwijder de vastgelopen nagels uit de nagelgeleidegroeven in de stotergeleider.
► **Fig.22:** 1. Inbusbout 2. Stotergeleiderdeksel
3. Bovendeksel van de contactschoen
4. Stotergeleider

OPMERKING: Als het moeilijk is om de vastgelopen nagels te verwijderen, draait u de twee inbusbouten op het bovendeksel van de contactschoen los met behulp van de inbusleutel en verwijdert u de vastgelopen nagel uit de stotergeleider.

4. Plaats de deksels terug op hun plaats en bevestig ze met behulp van de inbusbouten over de stotergeleider.

KENNISGEVING: Na het verwijderen van vastgelopen nagels, verzekert u zich ervan dat de deksels over de stotergeleider correct zijn teruggeplaatst en bevestigd. Als de stotergeleider niet correct werkt, brengt u ze opnieuw aan met de inbusbouten.

ONDERHOUD

⚠ LET OP: Zorg altijd dat het gereedschap is uitgeschakeld en de accu ervan is verwijderd alvorens te beginnen met onderhoud of inspectie.

KENNISGEVING: Gebruik nooit benzine, wasbenzine, thinner, alcohol en dergelijke. Hierdoor kunnen verkleuring, vervormingen en barsten worden veroorzaakt.

Om de VEILIGHEID en BETROUWBAARHEID van het gereedschap te handhaven, dienen alle reparaties, onderhoud of afstellingen te worden uitgevoerd bij een erkend Makita-servicecentrum of de Makita-fabriek, en altijd met gebruik van Makita-ervangingsonderdelen.

Het magazijn schoonmaken

Maak de binnenkant van het magazijn regelmatig schoon. Blaas of veeg eventueel vuil, stof, houtsnippers en nagellijm er af dat zich in de geleidegroeven heeft opgehoopt.

► **Fig.23:** 1. Geleidegroeven

KENNISGEVING: Vuil en stof in de geleidegroeven kan de toevoer van nagels hinderen waardoor droogschieten af en toe voorkomt.

OPTIONELE ACCESSOIRES

⚠ LET OP: Deze accessoires of hulpstukken worden aanbevolen voor gebruik met het Makita gereedschap dat in deze gebruiksaanwijzing is beschreven. Bij gebruik van andere accessoires of hulpstukken bestaat het gevaar van persoonlijke letsel. Gebruik de accessoires of hulpstukken uitsluitend voor hun bestemde doel.

Wenst u meer bijzonderheden over deze accessoires, neem dan contact op met het plaatselijke Makita-servicecentrum.

- Nagels
- Neusadapter (voor bevestigen op vlakke ondergronden)
- Originele Makita accu's en acculaders

OPMERKING: Sommige items op de lijst kunnen zijn inbegrepen in de doos van het gereedschap als standaard toebehoren. Deze kunnen van land tot land verschillen.

ESPECIFICACIONES

Modelo:	PT001G
Tamaño de clavo	ø0,6 mm x 15, 18, 25, 30, 35 mm
Capacidad del cargador de clavos	100 unidades
Dimensiones con BL4025, sin gancho (La x An x Al)	265 mm x 86 mm x 226 mm
Tensión nominal	CC 36 V - 40 V máx.
Peso neto	2,4 - 3,0 kg

- Debido a nuestro continuado programa de investigación y desarrollo, las especificaciones aquí dadas están sujetas a cambios sin previo aviso.
- Las especificaciones y el cartucho de batería pueden diferir de país a país.
- El peso puede variar dependiendo del accesorio(s), incluyendo el cartucho de batería. La combinación menos pesada y la más pesada, de acuerdo con el procedimiento EPTA 01/2014, se muestran en la tabla.

Cartucho de batería y cargador aplicables

Cartucho de batería	BL4020* / BL4025* / BL4040 / BL4050F * : Batería recomendada
Cargador	DC40RA / DC40RB / DC40RC

- Algunos de los cartuchos de batería y cargadores indicados arriba puede que no estén disponibles dependiendo de su región de residencia.

⚠ADVERTENCIA: Utilice solamente los cartuchos de batería y cargadores indicados arriba. La utilización de cualquier otro cartucho de batería y cargador puede ocasionar heridas y/o un incendio.

Uso previsto

La herramienta ha sido prevista para clavar clavos en materiales de construcción tales como madera.

Ruido

El nivel de ruido A-ponderado típico determinado de acuerdo con la norma EN60745-2-16:

Nivel de presión sonora (L_{pA}) : 79 dB (A)

Error (K) : 3 dB (A)

El nivel de ruido en situación de trabajo puede exceder 80 dB (A).

NOTA: El valor (o los valores) de emisión de ruido declarado ha sido medido de acuerdo con un método de prueba estándar y se puede utilizar para comparar una herramienta con otra.

NOTA: El valor (o valores) de emisión de ruido declarado también se puede utilizar en una valoración preliminar de exposición.

⚠ADVERTENCIA: Póngase protectores para oídos.

⚠ADVERTENCIA: La emisión de ruido durante la utilización real de la herramienta eléctrica puede variar del valor (o los valores) de emisión declarado dependiendo de las formas en las que la herramienta sea utilizada, especialmente qué tipo de pieza de trabajo se procesa.

⚠ADVERTENCIA: Asegúrese de identificar medidas de seguridad para proteger al operario que estén basadas en una estimación de la exposición en las condiciones reales de utilización (teniendo en cuenta todas las partes del ciclo operativo como las veces cuando la herramienta está apagada y cuando está funcionando en vacío además del tiempo de gatillo).

Vibración

El valor total de la vibración determinado de acuerdo con el EN60745-2-16:

Emisión de vibración (a_{hv}) : 2,5 m/s² o menos

Error (K) : 1,5 m/s²

NOTA: El valor (o los valores) total de emisión de vibración declarado ha sido medido de acuerdo con un método de prueba estándar y se puede utilizar para comparar una herramienta con otra.

NOTA: El valor (o los valores) total de emisión de vibración declarado también se puede utilizar en una valoración preliminar de exposición.

⚠ADVERTENCIA: La emisión de vibración durante la utilización real de la herramienta eléctrica puede variar del valor (o los valores) de emisión declarado dependiendo de las formas en las que la herramienta sea utilizada, especialmente qué tipo de pieza de trabajo se procesa.

⚠ADVERTENCIA: Asegúrese de identificar medidas de seguridad para proteger al operario que estén basadas en una estimación de la exposición en las condiciones reales de utilización (teniendo en cuenta todas las partes del ciclo operativo como las veces cuando la herramienta está apagada y cuando está funcionando en vacío además del tiempo de gatillo).

Declaración CE de conformidad

Para países europeos solamente

La declaración CE de conformidad está incluida como Anexo A de esta manual de instrucciones.

ADVERTENCIAS DE SEGURIDAD

Advertencias de seguridad para herramientas eléctricas en general

⚠️ ADVERTENCIA: Lea todas las advertencias de seguridad, instrucciones, ilustraciones y especificaciones provistas con esta herramienta eléctrica. Si no sigue todas las instrucciones indicadas abajo podrá resultar en una descarga eléctrica, un incendio y/o heridas graves.

Guarde todas las advertencias e instrucciones para futuras referencias.

El término "herramienta eléctrica" en las advertencias se refiere a su herramienta eléctrica de funcionamiento con conexión a la red eléctrica (con cable) o herramienta eléctrica de funcionamiento a batería (sin cable).

Advertencias de seguridad para la clavadora inalámbrica

1. **Asuma siempre que la herramienta contiene fijadores.** Un manejo imprudente de la clavadora puede resultar en un disparo inesperado de fijadores y heridas personales.
2. **No apunte la herramienta hacia usted o hacia cualquier persona que esté cerca.** Un apretado inesperado del gatillo descargará el fijador causando heridas.
3. **No accione la herramienta a menos que la tenga puesta firmemente contra la pieza de trabajo.** Si la herramienta no está en contacto con la pieza de trabajo, el fijador podrá desviarse de su objetivo.
4. **Desconecte la herramienta de fuente de alimentación cuando el fijador se atasque en la herramienta.** Mientras retira un fijador atascado, la clavadora podrá activarse accidentalmente si está enchufada.
5. **Tenga cuidado mientras retira un fijador atascado.** El mecanismo podrá estar sometido a compresión y el fijador podrá descargarse a la fuerza mientras intenta despejar una condición de atasco.
6. **No utilice esta clavadora para sujetar cables eléctricos.** No ha sido diseñada para la instalación de cables eléctricos y puede dañar el aislante de los cables eléctricos ocasionando una descarga eléctrica o riesgos de incendio.
7. **Mantenga las manos y pies alejados del área del orificio de eyección.**
8. **Siga la instrucción para lubricar y cambiar los accesorios.**
9. **Retire siempre el cartucho de batería antes de cargar los fijadores, hacer ajustes, inspección, mantenimiento o después de terminar la operación.**

10. **Antes de la operación asegúrese de que no haya nadie cerca. No intente nunca clavar los fijadores desde el interior y exterior de la pared al mismo tiempo. Los fijadores podrán atravesarla y/o salir disparados, presentando un grave peligro.**
11. **Observe el suelo donde pisa y mantenga su equilibrio con la herramienta. Asegúrese de que no haya nadie debajo cuando trabaje en lugares altos.**
12. **No utilice herramientas de clavar fijadores que estén marcadas con el símbolo de "No utilizar en andamios, escaleras" para aplicaciones específicas, por ejemplo:**
 - cuando cambiar de un sitio donde está clavando a otro implique la utilización de andamios, escaleras, escaleras de mano, o construcciones como escaleras, por ejemplo, listones de tejado;
 - cerrar cajas o cajones de embalaje;
 - colocar sistemas de seguridad para transporte, por ejemplo, en vehículos o vagones.
13. **Compruebe las paredes, techos, suelos, techumbres y por el estilo con cuidado para evitar posibles descargas eléctricas, fugas de gas, explosiones, etc., ocasionadas por grapar en cables con corriente, conductos o tuberías de gas.**
14. **Utilice solamente los fijadores especificados en este manual. La utilización de otros fijadores podrá ocasionar un mal funcionamiento de la herramienta.**
15. **No manipule la herramienta o intente utilizarla para algo distinto de clavar fijadores.**
16. **No utilice la herramienta sin fijadores. Ello acorta la vida de servicio de la herramienta.**
17. **Detenga inmediatamente las operaciones de clavado si nota algo incorrecto o fuera de lo normal en la herramienta.**
18. **No clave nunca en ningún material que pueda permitir al fijador atravesarlo y salir despedido como un proyectil.**
19. **No accione nunca el gatillo interruptor y el elemento de contacto al mismo tiempo hasta esté preparado para clavar en piezas de trabajo. Permita a la pieza de trabajo presionar el elemento de contacto. No anule nunca su función sujetando hacia atrás el elemento de contacto o presionándolo manualmente.**
20. **No manipule nunca el elemento de contacto. Compruebe el elemento de contacto con frecuencia para ver que funciona debidamente.**
21. **Retire siempre los fijadores de la herramienta cuando no la esté utilizando.**

GUARDE ESTAS INSTRUCCIONES.

⚠️ ADVERTENCIA: NO deje que la comodidad o familiaridad con el producto (a base de utilizarlo repetidamente) sustituya la estricta observancia de las normas de seguridad para el producto en cuestión. El MAL USO o el no seguir las normas de seguridad establecidas en este manual de instrucciones podrá ocasionar heridas personales graves.

Instrucciones de seguridad importantes para el cartucho de batería

1. Antes de utilizar el cartucho de batería, lea todas las instrucciones e indicaciones de precaución sobre (1) el cargador de baterías, (2) la batería, y (3) el producto con el que se utiliza la batería.
2. No desensamble ni manipule el cartucho de batería. Podrá resultar en un incendio, calor excesivo, o una explosión.
3. Si el tiempo de uso se acorta demasiado, cese la operación inmediatamente. Podría resultar en un riesgo de recalentamiento, posibles quemaduras e incluso una explosión.
4. Si entra electrólito en sus ojos, aclárelos con agua limpia y acuda a un médico inmediatamente. Existe el riesgo de poder perder la vista.
5. No cortocircuite el cartucho de batería:
 - (1) No toque los terminales con ningún material conductor.
 - (2) Evite guardar el cartucho de batería en un cajón junto con otros objetos metálicos, como clavos, monedas, etc.
 - (3) No exponga el cartucho de batería al agua ni a la lluvia.

Un cortocircuito en la batería puede producir una gran circulación de corriente, un recalentamiento, posibles quemaduras e incluso una rotura de la misma.
6. No guarde ni utilice la herramienta y el cartucho de batería en lugares donde la temperatura pueda alcanzar o exceder los 50 °C.
7. Nunca incinere el cartucho de batería incluso en el caso de que esté dañado seriamente o ya no sirva en absoluto. El cartucho de batería puede explotar si se tira al fuego.
8. No clave, corte, aplaste, lance, deje caer el cartucho de batería, ni golpee contra un objeto duro el cartucho de batería. Tal conducta podrá resultar en un incendio, calor excesivo, o una explosión.
9. No utilice una batería dañada.
10. Las baterías de litio-ion contenidas están sujetas a los requisitos de la Legislación para Materiales Peligrosos.

Para transportes comerciales, p.ej., por terceras personas y agentes de transportes, se deberán observar requisitos especiales para el empaquetado y etiquetado.

Para la preparación del artículo que se va a enviar, se requiere consultar con un experto en materiales peligrosos. Por favor, observe también la posibilidad de reglamentos nacionales más detallados.

Cubra con cinta aislante o enmascare los contactos expuestos y empaquete la batería de tal manera que no se pueda mover alrededor dentro del embalaje.
11. Para desechar el cartucho de batería, retírelo de la herramienta y deséchelo en un lugar seguro. Siga los reglamentos locales referentes al desecho de la batería.
12. Utilice las baterías solamente con los productos especificados por Makita. La instalación de las baterías en productos no compatibles puede resultar en un incendio, calor excesivo, explosión, o fuga de electrolito.
13. Si la herramienta no va a ser utilizada durante un periodo de tiempo largo, la batería deberá ser retirada de la herramienta.
14. Durante y después de la utilización, el cartucho de batería podrá acumular calor, lo cual puede ocasionar quemaduras o quemaduras de baja temperatura. Preste atención al manejo de cartuchos de batería calientes.
15. No toque el terminal de la herramienta inmediatamente después de utilizar, dado que puede calentarse lo suficiente como para ocasionar quemaduras.
16. No permita que virutas, polvo, o tierra se adhieran dentro de los terminales, orificios, y ranuras del cartucho de batería. Esto podría ocasionar calentamiento, que coja fuego, reviente y un mal funcionamiento de la herramienta o el cartucho de batería, resultando en quemaduras o heridas personales.
17. A menos que la herramienta pueda utilizarse cerca de cables eléctricos de alta tensión, no utilice el cartucho de batería cerca de cables eléctricos de alta tensión. Podrá resultar en un mal funcionamiento o rotura de la herramienta o el cartucho de batería.
18. Mantenga la batería alejada de los niños.

GUARDE ESTAS INSTRUCCIONES.

⚠PRECAUCIÓN: Utilice solamente baterías genuinas de Makita. La utilización de baterías no genuinas de Makita, o baterías que han sido alteradas, puede resultar en una explosión de la batería ocasionando incendios, heridas personales y daños. También anulará la garantía de Makita para la herramienta y el cargador de Makita.

Consejos para alargar al máximo la vida de servicio de la batería

1. Cargue el cartucho de batería antes de que se descargue completamente. Detenga siempre la operación y cargue el cartucho de batería cuando note menos potencia en la herramienta.
2. No cargue nunca un cartucho de batería que esté completamente cargado. La sobrecarga acortará la vida de servicio de la batería.
3. Cargue el cartucho de batería a temperatura ambiente de 10 °C - 40 °C. Si un cartucho de batería está caliente, déjelo enfriar antes de cargarlo.
4. Cuando no esté utilizando el cartucho de batería, retírelo de la herramienta o del cargador.
5. Cargue el cartucho de batería si no lo utiliza durante un periodo de tiempo prolongado (más de seis meses).

DESCRIPCIÓN DEL FUNCIONAMIENTO

⚠ PRECAUCIÓN: Asegúrese siempre de que la herramienta esté apagada y el cartucho de batería retirado antes de realizar cualquier ajuste o comprobación en la herramienta.

Instalación o extracción del cartucho de batería

⚠ PRECAUCIÓN: Apague siempre la herramienta antes de instalar o retirar el cartucho de batería.

⚠ PRECAUCIÓN: Sujete la herramienta y el cartucho de batería firmemente cuando instale o retire el cartucho de batería. Si no sujeta la herramienta y el cartucho de batería firmemente podrán caérsele de las manos y resultar en daños a la herramienta y al cartucho de batería y heridas personales.

► **Fig. 1:** 1. Indicador rojo 2. Botón 3. Cartucho de batería

Para retirar el cartucho de batería, deslícelo de la herramienta mientras desliza el botón de la parte frontal del cartucho.

Para instalar el cartucho de batería, alinee la lengüeta del cartucho de batería con la ranura del alojamiento y deslícelo al interior hasta encajarlo en su sitio. Insértelo por completo hasta que se bloquee en su sitio con un pequeño chasquido. Si puede ver el indicador rojo como se muestra en la figura, no estará bloqueado completamente.

⚠ PRECAUCIÓN: Instale siempre el cartucho de batería completamente hasta que no pueda verse el indicador rojo. En caso contrario, podrá caerse accidentalmente de la herramienta y ocasionarle heridas a usted o a alguien que esté cerca de usted.

⚠ PRECAUCIÓN: No instale el cartucho de batería empleando fuerza. Si el cartucho no se desliza al interior fácilmente, será porque no está siendo insertado correctamente.

Sistema de protección de la herramienta / batería

La herramienta está equipada con un sistema de protección de la herramienta/batería. Este sistema corta automáticamente la alimentación al motor para alargar la vida de servicio de la herramienta y la batería. La herramienta se detendrá automáticamente durante la operación si la herramienta o la batería es puesta en una de las condiciones siguientes:

Protección contra sobrecarga

Cuando la herramienta/batería sea operada de una manera que dé lugar a que tenga que absorber una corriente anormalmente alta, la herramienta se detendrá automáticamente. En esta situación, apague la herramienta y detenga la tarea que ocasiona la sobrecarga de la herramienta. Después encienda la herramienta para volver a empezar.

Protección contra el recalentamiento

Cuando la herramienta/batería se recalienta, la herramienta se detiene automáticamente. En esta situación, deje que la herramienta/batería se enfríe antes de encender la herramienta otra vez.

Protección contra descarga excesiva

Cuando la capacidad de batería no es suficiente, la herramienta se detiene automáticamente. En este caso, retire la batería de la herramienta y cargue la batería.

Protecciones contra otras causas

También hay un sistema de protección diseñado para otras causas que pueden dañar la herramienta y permite a la herramienta detenerse automáticamente. Realice todos los pasos siguientes para despejar las causas, cuando la herramienta haya sido llevada a una pausa temporal o a una parada en la operación.

1. Apague la herramienta, y después enciéndala otra vez para volver a empezar.
2. Cargue la(s) batería(s) o reemplácela(s) con una batería(s) recargada(s).
3. Deje que la herramienta y la(s) batería(s) se enfríen.

Si no se nota una mejora al restablecer el sistema de protección, póngase en contacto con el centro de servicio Makita local.

Modo de indicar la capacidad de batería restante

Presione el botón de comprobación en el cartucho de batería para indicar la capacidad de batería restante. Las lámparas indicadoras se iluminan durante unos pocos segundos.

► **Fig. 2:** 1. Lámparas indicadoras 2. Botón de comprobación

Lámparas indicadoras			Capacidad restante
Iluminada	Apagada	Parpadeando	
			75% a 100%
			50% a 75%
			25% a 50%
			0% a 25%
			Cargue la batería.
			Puede que la batería no esté funcionando bien.

NOTA: Dependiendo de las condiciones de utilización y de la temperatura ambiente, la indicación podrá variar ligeramente de la capacidad real.

NOTA: La primera lámpara indicadora (extremo izquierdo) parpadeará cuando el sistema de protección de la batería esté funcionando.

Botón de bloqueo del gatillo

⚠PRECAUCIÓN: Antes de insertar el cartucho de batería en la herramienta, compruebe siempre para asegurarse de que el gatillo interruptor se acciona debidamente y que vuelve a la posición "OFF" cuando lo suelta.

⚠PRECAUCIÓN: Cuando no esté utilizando la herramienta, presione hacia dentro el botón de bloqueo del gatillo desde el lado B para bloquear el gatillo interruptor en la posición apagada.

- Fig.3: 1. Botón de bloqueo del gatillo 2. Gatillo interruptor
► Fig.4

Para evitar que el gatillo interruptor pueda ser apretado accidentalmente, se ha provisto el botón de bloqueo del gatillo. Para apretar el gatillo interruptor, presione hacia dentro el botón de bloqueo del gatillo desde el lado A. Después de utilizar, presione siempre hacia dentro el botón de bloqueo del gatillo desde el lado B.

Ajuste de la profundidad de clavado

⚠ADVERTENCIA: Asegúrese siempre de que sus dedos no están puestos en el gatillo interruptor o el elemento de contacto y que el cartucho de batería ha sido retirado antes de ajustar la profundidad de clavado.

La profundidad de clavado se puede ajustar girando el ajustador de la herramienta. Un clavo se clavará más profundo cuando gire el ajustador en la dirección A como se muestra en la figura, y menos profundo en la dirección B, dentro de un rango de hasta 1,5 mm.

- Fig.5: 1. Ajustador
► Fig.6: 1. Muy profundo 2. Profundidad correcta
3. Muy poco profundo

Encendido de la lámpara

⚠PRECAUCIÓN: No mire a la luz ni vea la fuente de luz directamente.

Apriete el gatillo interruptor o accione el elemento de contacto para encender la lámpara. La lámpara seguirá encendida por un periodo de hasta 60 segundos mientras tenga apretado el gatillo interruptor o accionado el elemento de contacto. La lámpara se apagará aproximadamente 10 segundos después de liberar el gatillo interruptor y el elemento de contacto.

- Fig.7: 1. Lámpara

AVISO: Utilice un paño seco para quitar la suciedad de la lente de la lámpara. Tenga cuidado de no rayar la lente de la lámpara, porque podrá disminuir la iluminación.

AVISO: La herramienta puede que no dispare clavos después de que la potencia de la batería se encuentre baja aunque la lámpara siga encendida. En este caso, cambie el cartucho de batería.

AVISO: Si la herramienta se recalienta, la lámpara parpadeará. En este caso, libere el gatillo interruptor y el elemento de contacto, y después deje enfriar la herramienta/batería antes de utilizarla otra vez.

AVISO: La lámpara comenzará a parpadear si la clavadora detecta un error durante el clavado de clavos. En este caso, lleve la clavadora a un centro de servicio de fábrica.

MONTAJE

⚠PRECAUCIÓN: Asegúrese siempre de que sus dedos no están puestos en el gatillo interruptor o el elemento de contacto y que el cartucho de batería ha sido retirado antes de realizar cualquier trabajo en la clavadora de clavos.

Carga y descarga de clavos

⚠PRECAUCIÓN: Asegúrese siempre de que sus dedos no están puestos en el gatillo y que el cartucho de batería ha sido retirado antes de cargar clavos. Un disparo involuntario puede ocasionar heridas personales y daños a la propiedad.

⚠PRECAUCIÓN: Evite abrir y cerrar de golpe la puerta deslizante del cargador mientras haya clavos cargados en el cargador. La caída accidental de clavos, especialmente cuando se está trabajando en lugares altos, puede ocasionar heridas personales.

1. Presione la palanca de bloqueo y abra la puerta deslizante del cargador.

- Fig.8: 1. Palanca de bloqueo 2. Puerta deslizante
3. Cargador

2. Coloque una tira de clavos con los triángulos punteados apuntando hacia abajo, alineando las puntas de los clavos con las ranuras guía del fondo del cargador. Asegúrese de que las puntas de los clavos tocan el fondo del cargador, y después deslice con cuidado la tira de clavos hacia la guía del impulsor.

- Fig.9: 1. Clavos 2. Triángulo punteado 3. Ranuras guía 4. Guía del impulsor

- Fig.10: 1. Clavos 2. Fondo del cargador 3. Holguras

AVISO: Asegúrese de que las puntas de los clavos estén colocadas firmemente en el fondo del cargador. Cualquier holgura alrededor de las puntas de los clavos podrá ocasionar un atasco y daños a la herramienta.

AVISO: Cargue clavos en la dirección correcta. Si carga en dirección incorrecta podrá ocasionar un desgaste prematuro del impulsor y daños a las otras partes.

AVISO: No utilice tiras de clavos deformadas. Utilice clavos especificados en este manual. La utilización de clavos distintos de los especificados podrá ocasionar atasco de clavos y rotura de la herramienta.

AVISO: Evite cargar tiras de clavos de menos clavos, especialmente cuando utilice clavos de longitudes cortas. Esto podría ocasionar un atasco y daños a la herramienta.

AVISO: No cargue tiras de clavos de diferentes longitudes ni múltiples tiras de clavos de menos clavos a la vez. De lo contrario, podrá ocasionar un atasco y daños a la herramienta.

3. Devuelva la puerta deslizable a la posición original y bloquéela en su sitio con la palanca de bloqueo.

AVISO: Cierre la puerta deslizable con cuidado. La aplicación de fuerza excesiva podrá ocasionar una deformación de los clavos y la puerta deslizable puede que no vuelva a la posición original.

Para retirar los clavos, presione la palanca de bloqueo y abra la puerta deslizable deslizándola. Extraiga los clavos del cargador.

Adaptador de boca

PRECAUCIÓN: Asegúrese siempre de que sus dedos no están puestos en el gatillo interruptor o el elemento de contacto y que el cartucho de batería ha sido retirado antes de instalar el adaptador de boca.

Cuando dispare clavos en un material con superficies que se deterioren fácilmente, utilice el adaptador de boca.

Ponga el adaptador de boca sobre la parte superior de contacto de la guía del impulsor de manera que los salientes guía de dentro del adaptador de boca encajen bien en las muescas guía de la guía del impulsor. Puede guardar el adaptador de boca en el soporte del extremo trasero del cargador para evitar que se pierda.

► **Fig.11:** 1. Adaptador de boca 2. Guía del impulsor 3. Salientes guía 4. Muecas guía 5. Soporte

Adaptador de boca para clavar en superficies planas

Acesorio opcional

Utilice el adaptador de boca opcional diseñado para operaciones de clavado en superficies planas y uniformes. Protege las superficies blandas de la pieza de trabajo contra marcas y arañazos que hacen las partes superiores de contacto de punta redonda.

► **Fig.12**

Ponga el adaptador de boca opcional sobre la parte superior de contacto de la guía del impulsor de manera que los salientes guía de dentro del adaptador de boca encajen bien en las muescas guía de la guía del impulsor.

► **Fig.13:** 1. Adaptador de boca opcional 2. Guía del impulsor 3. Salientes guía 4. Muecas guía

Gancho

PRECAUCIÓN: Cuando instale el gancho, sujételo siempre firmemente con el tornillo. Si no, el gancho podrá caerse de la herramienta y resultar en heridas personales.

PRECAUCIÓN: Utilice las partes de colgar/montaje solamente para el propósito que han sido previstos. La utilización para propósitos no previstos puede ocasionar un accidente o heridas personales.

PRECAUCIÓN: No cuelgue el gancho en el cinturón. Si la clavadora se cae debido a que el gancho se sale accidentalmente de su sitio, podrá ocasionar un disparo involuntario y resultar en heridas personales.

► **Fig.14**

El gancho resulta útil para colgar la herramienta temporalmente. Se puede instalar en cualquiera de los lados de la herramienta.

Para instalar el gancho, insértelo en una ranura de cualquiera de los lados de la carcasa de la herramienta y después sujételo con un tornillo. Para retirarlo, afloje el tornillo y después sáquelo.

► **Fig.15:** 1. Ranura 2. Gancho 3. Tornillo

Para guardar la llave hexagonal

Cuando no la esté utilizando, guarde la llave hexagonal como se muestra en la figura para evitar que se pierda.

► **Fig.16:** 1. Llave hexagonal

OPERACIÓN

Comprobación del sistema de seguridad

ADVERTENCIA: Antes de la operación asegúrese de que todos los sistemas de seguridad están en condiciones de funcionamiento. En caso contrario podrán producirse heridas personales.

► **Fig.17:** 1. Botón de bloqueo del gatillo 2. Gatillo interruptor 3. Elemento de contacto 4. Cargador

Antes de la operación pruebe los sistemas de seguridad como se indica a continuación por si hay algún posible fallo.

1. Descargue los clavos de la herramienta y mantenga abierto el cargador.
2. Instale el cartucho de batería y libere el bloqueo del gatillo.
3. Apriete el gatillo interruptor sin tocar contra el material el elemento de contacto.
4. Toque contra el material el elemento de contacto sin apretar el gatillo interruptor.

Si la herramienta se acciona en los casos 3 o 4 de arriba, los sistemas de seguridad estarán defectuosos. Deje de utilizar la herramienta inmediatamente y póngala al centro de servicio local.

Para clavar clavos

⚠ADVERTENCIA: No utilice esta clavadora para sujetar cables eléctricos. No ha sido diseñada para la instalación de cables eléctricos y puede dañar el aislante de los cables eléctricos ocasionando una descarga eléctrica o riesgos de incendio.

⚠ADVERTENCIA: Continúe poniendo el elemento de contacto firmemente sobre el material hasta que el clavo sea clavado completamente. Un disparo involuntario puede ocasionar heridas personales.

⚠PRECAUCIÓN: Sujete la herramienta firmemente durante la operación.

⚠PRECAUCIÓN: No utilice la herramienta más allá del tiempo de funcionamiento continuo permitido. De lo contrario, podrá ocasionar daños a la herramienta y resultar en heridas personales.

AVISO: La herramienta no reanudará el clavado después de cinco segundos sin accionar el interruptor mientras el elemento de contacto esté colocado sobre la pieza de trabajo. Separe el elemento de contacto de la pieza de trabajo y vuelva a ponerlo en su sitio para reanudar el clavado.

1. Libere el bloqueo del gatillo.
 2. Coloque plano sobre el material el elemento de contacto.
 3. Apriete el gatillo interruptor completamente para clavar un clavo.
 4. Para clavar el siguiente clavo, retire el dedo del gatillo interruptor una vez, y después repita los pasos 2 y 3 de arriba.
- **Fig.18:** 1. Gatillo interruptor 2. Elemento de contacto

También puede clavar clavos cuando arrastra la herramienta al siguiente área con el elemento de contacto presionado contra el material y apretando el gatillo interruptor.

► **Fig.19**

Si la cabeza del clavo queda por encima de la superficie de la pieza de trabajo, clave el clavo mientras sujeta el cabezal de la clavadora de clavos firmemente contra la pieza de trabajo.

► **Fig.20**

NOTA: Si la cabeza del clavo aún queda por encima de la superficie de la pieza de trabajo aunque usted sujeta el cabezal de la clavadora, puede que el material no sea apropiado para la clavadora. Si continúa utilizando la clavadora en ese material podrá resultar en daños al impulsor de la clavadora y/o en un atasco de la clavadora.

Mecanismo de antidisparo en seco

⚠ADVERTENCIA: Asegúrese siempre de que sus dedos no están puestos en el gatillo interruptor ni en el elemento de contacto y que el cartucho de batería ha sido retirado antes de cargar la clavadora.

Cuando el número restante de clavos en el cargador sea de entre 0 - 3 unidades, el gatillo interruptor ya no se podrá apretar. En este momento, inserte una tira de clavos nueva en el cargador y el gatillo interruptor se podrá apretar otra vez.

NOTA: Cuando quiera disparar clavos de una longitud diferente poco después de que se haya activado el mecanismo de antidisparo en seco, inserte una tira de clavos nueva en el cargador y dispare en material de desecho todos los clavos que quedaron de la vez anterior.

Comprobación de los clavos restantes

Puede comprobar la cantidad de clavos restantes a través de la ventanilla de visión.

El indicador rojo se mueve hacia la abertura de disparo a medida que la cantidad restante de clavos disminuye.

► **Fig.21:** 1. Ventanilla de visión 2. Indicador

Para retirar clavos atascados

⚠ADVERTENCIA: Asegúrese siempre de que el gatillo está liberado, y el cartucho de batería y los clavos han sido retirados antes de retirar clavos atascados.

⚠PRECAUCIÓN: No retire los clavos atascados con las manos desnudas. Los clavos pueden salir despedidos del cargador y ocasionar heridas.

1. Retire todos los clavos que quedan en el cargador.
 2. Desenrosque los tres pernos de cabeza hexagonal de la cubierta de la guía del impulsor utilizando la llave hexagonal.
 3. Retire los clavos atascados de las ranuras guía de la guía del impulsor.
- **Fig.22:** 1. Perno hexagonal 2. Cubierta de la guía del impulsor 3. Cubierta superior de contacto 4. Guía del impulsor

NOTA: Si le resulta difícil retirar los clavos atascados, afloje los dos pernos hexagonales de la cubierta superior de contacto utilizando la llave hexagonal y después extraiga los clavos atascados de la guía del impulsor.

4. Vuelva a poner las cubiertas en su sitio y sujételas encima de la guía del impulsor con los pernos hexagonales.

AVISO: Después de despejar atascos, asegúrese siempre de que las cubiertas de la guía del impulsor han sido montadas de nuevo correctamente. Si la guía del impulsor no funciona correctamente, vuelva a montarlas con los pernos hexagonales.

MANTENIMIENTO

⚠PRECAUCIÓN: Asegúrese siempre de que la herramienta está apagada y de que el cartucho de batería está retirado antes de intentar hacer una inspección o mantenimiento.

AVISO: No utilice nunca gasolina, bencina, disolvente, alcohol o similares. Podría producir descoloración, deformación o grietas.

Para mantener la SEGURIDAD y FIABILIDAD del producto, las reparaciones, y cualquier otra tarea de mantenimiento o ajuste deberán ser realizadas en centros de servicio o de fábrica autorizados por Makita, empleando siempre repuestos Makita.

Limpeza del cargador

Limpie el interior del cargador a intervalos regulares. Sople o retire con un paño cualquier resto de suciedad, polvo, virutas, y adhesivo de clavos acumulados en las ranuras guía.

► **Fig.23:** 1. Ranuras guía

AVISO: La suciedad y el polvo en las ranuras guía pueden afectar al avance de los clavos y resultar en un disparo en seco ocasional.

ACCESORIOS OPCIONALES

⚠PRECAUCIÓN: Estos accesorios o aditamentos están recomendados para su uso con la herramienta Makita especificada en este manual. El uso de cualquier otro accesorio o aditamento puede suponer un riesgo de heridas personales. Utilice el accesorio o aditamento solamente con la finalidad indicada para el mismo.

Si necesita cualquier ayuda para más detalles en relación con estos accesorios, pregunte al centro de servicio Makita local.

- Clavos
- Adaptador de boca (para clavar en superficies planas)
- Batería y cargador genuinos de Makita

NOTA: Algunos elementos de la lista podrán estar incluidos en el paquete de la herramienta como accesorios estándar. Pueden variar de un país a otro.

ESPECIFICAÇÕES

Modelo:	PT001G
Tamanho do pino de pregar	ø0,6 mm x 15, 18, 25, 30, 35 mm
Capacidade do magazine do pino de pregar	100 peças
Dimensões com BL4025, sem gancho (C x L x A)	265 mm x 86 mm x 226 mm
Tensão nominal	C.C. 36 V - 40 V máx.
Peso líquido	2,4 - 3,0 kg

- Devido a um programa contínuo de pesquisa e desenvolvimento, estas especificações estão sujeitas a alteração sem aviso prévio.
- As especificações e a bateria podem variar de país para país.
- O peso poderá diferir em função do acessório(s), incluindo a bateria. A combinação mais leve e mais pesada, de acordo com o Procedimento EPTA 01/2014, é apresentada na tabela.

Bateria e carregador aplicável

Bateria	BL4020* / BL4025* / BL4040 / BL4050F *: Bateria recomendada
Carregador	DC40RA / DC40RB / DC40RC

- Algumas das baterias e carregadores listados acima poderão não estar disponíveis, dependendo da sua região de residência.

AVISO: Utilize apenas as baterias e carregadores listados acima. A utilização de quaisquer outras baterias e carregadores pode causar ferimentos e/ou um incêndio.

Utilização a que se destina

A ferramenta serve para agrafar pinos de pregar em materiais de construção, como a madeira.

Ruído

A característica do nível de ruído A determinado de acordo com a EN60745-2-16:

Nível de pressão acústica (L_{pA}): 79 dB (A)

Variabilidade (K): 3 dB (A)

O nível de ruído durante o funcionamento pode exceder 80 dB (A).

NOTA: O(s) valor(es) da emissão de ruído indicado(s) foi medido de acordo com um método de teste padrão e pode ser utilizado para comparar duas ferramentas.

NOTA: O(s) valor(es) da emissão de ruído indicado(s) pode também ser utilizado na avaliação preliminar da exposição.

AVISO: Utilize protetores auriculares.

AVISO: A emissão de ruído durante a utilização real da ferramenta elétrica pode diferir do(s) valor(es) indicado(s), dependendo das formas como a ferramenta é utilizada, especialmente o tipo de peça de trabalho que é processada.

AVISO: Certifique-se de identificar as medidas de segurança para proteção do operador que sejam baseadas em uma estimativa de exposição em condições reais de utilização (considerando todas as partes do ciclo de operação, tal como quando a ferramenta está desligada e quando está a funcionar em marcha lenta além do tempo de acionamento).

Vibração

O valor total da vibração determinado de acordo com o EN60745-2-16:

Emissão de vibração (a_{hv}): 2,5 m/s² ou menos

Variabilidade (K): 1,5 m/s²

NOTA: O(s) valor(es) total(ais) de vibração indicado(s) foi medido de acordo com um método de teste padrão e pode ser utilizado para comparar duas ferramentas.

NOTA: O(s) valor(es) total(ais) de vibração indicado(s) pode também ser utilizado na avaliação preliminar da exposição.

AVISO: A emissão de vibração durante a utilização real da ferramenta elétrica pode diferir do(s) valor(es) indicado(s), dependendo das formas como a ferramenta é utilizada, especialmente o tipo de peça de trabalho que é processada.

AVISO: Certifique-se de identificar as medidas de segurança para proteção do operador que sejam baseadas em uma estimativa de exposição em condições reais de utilização (considerando todas as partes do ciclo de operação, tal como quando a ferramenta está desligada e quando está a funcionar em marcha lenta além do tempo de acionamento).

Declaração de conformidade da CE

Apenas para os países europeus

A declaração de conformidade da CE está incluída como Anexo A neste manual de instruções.

AVISOS DE SEGURANÇA

Avisos gerais de segurança para ferramentas elétricas

⚠️ AVISO: Leia todos os avisos de segurança, instruções, ilustrações e especificações fornecidos com esta ferramenta elétrica. O não cumprimento de todas as instruções indicadas em baixo pode resultar em choque elétrico, incêndio e/ou ferimentos graves.

Guarde todos os avisos e instruções para futuras referências.

O termo “ferramenta elétrica” nos avisos refere-se às ferramentas elétricas ligadas à corrente elétrica (com cabo) ou às ferramentas elétricas operadas por meio de bateria (sem cabo).

Avisos de segurança do pinador a bateria

1. **Assuma sempre que a ferramenta contém fixadores.** Um manuseamento descuidado do pinador pode resultar em disparo inesperado dos fixadores e em ferimentos pessoais.
2. **Não aponte a ferramenta na sua direção ou na de alguém nas proximidades.** O disparo inesperado descarregará o fixador provocando um ferimento.
3. **Não acione a ferramenta a não ser que ela esteja colocada firmemente contra a peça de trabalho.** Se a ferramenta não estiver em contacto com a peça de trabalho, o fixador pode ser desviado do alvo.
4. **Desligue a ferramenta da fonte de energia quando o fixador fica encravado na ferramenta.** Enquanto remove um fixador encravado, o pinador pode ser ativado acidentalmente se estiver ligado à corrente.
5. **Tenha todo o cuidado enquanto remove um fixador encravado.** O mecanismo pode estar sob compressão e o agrafe pode ser descarregado com força enquanto tenta libertar-se de uma condição de encravamento.
6. **Não utilize este pinador para prender cabos elétricos.** Ele não foi concebido para a instalação de cabos elétricos e pode danificar o isolamento dos cabos elétricos, causando dessa forma choque elétrico ou perigo de incêndio.
7. **Mantenha as mãos e pés afastados da área da porta de ejeção.**
8. **Siga as instruções referentes à lubrificação e substituição de acessórios.**
9. **Retire sempre a bateria antes de carregar fixadores, ajustar, inspecionar, realizar a manutenção ou depois de terminar a operação.**
10. **Certifique-se de que não há ninguém por perto antes de realizar a operação.** Nunca tente disparar fixadores tanto a partir de dentro como de fora da parede ao mesmo tempo. Os fixadores podem dilacerar e/ou voar, apresentando um perigo grave.

11. **Tenha cuidado e mantenha-se numa posição firme e equilibrada ao utilizar a ferramenta.** Certifique-se de que ninguém está por baixo quando trabalha em locais altos.
12. **Nunca utilize ferramentas de aparafusar com fixador marcadas com o símbolo “Não utilizar em andaimes, escadas” para aplicação específica como, por exemplo:**
 - quando trocar um local de aparafusamento por outro envolver o uso de andaimes, degraus de escadas, escadas ou construções semelhantes a escadas, por exemplo, ripas de telhado;
 - fechar caixas ou grades;
 - instalar sistemas de segurança de transporte, por exemplo, em veículos e vagões.
13. **Verifique cuidadosamente as paredes, tetos, pisos, telhados e similares para evitar possíveis choques elétricos, fugas de gás, explosões, etc. causados por agrafar fios condutores, condutas ou tubos de gás.**
14. **Utilize apenas os fixadores especificados neste manual.** A utilização de quaisquer outros fixadores pode provocar um mau funcionamento da ferramenta.
15. **Não interfira com a ferramenta nem tente utilizá-la para outros fins além de colocar fixadores.**
16. **Não utilize a ferramenta sem fixadores.** Isso reduz a vida da ferramenta.
17. **Pare imediatamente as operações de acionamento se reparar em algo de errado ou fora do normal com a ferramenta.**
18. **Nunca utilize em materiais que permitam que o fixador fure e seja projetado através do mesmo.**
19. **Nunca faça atuar o gatilho do interruptor e o elemento de contacto simultaneamente até estar preparado para agrafar peças de trabalho.** Deixe a peça de trabalho pressionar o elemento de contacto. Nunca contrarie a sua finalidade retendo o elemento de contacto ou pressionando-o à mão.
20. **Não interfira com o elemento de contacto.** Verifique o elemento de contacto frequentemente para ver se está a funcionar corretamente.
21. **Remova sempre os fixadores da ferramenta quando não estiver a ser utilizada.**

GUARDE ESTAS INSTRUÇÕES.

⚠️ AVISO: NÃO permita que conforto ou familiaridade com o produto (adquirido com o uso repetido) substitua a aderência estrita às regras de segurança da ferramenta. MÁ INTERPRETAÇÃO ou não seguimento das regras de segurança estabelecidas neste manual de instruções pode causar danos pessoais sérios.

Instruções de segurança importantes para a bateria

1. **Antes de utilizar a bateria, leia todas as instruções e etiquetas de precaução no (1) carregador de bateria (2) bateria e (3) produto que utiliza a bateria.**
2. **Não desmonte ou manipule a bateria.** Pode resultar num incêndio, em calor excessivo ou numa explosão.
3. **Se o tempo de funcionamento se tornar excessivamente curto, pare o funcionamento imediatamente.** Pode resultar em sobreaquecimento, possíveis queimaduras e mesmo explosão.
4. **Se entrar eletrólito nos seus olhos, lave-os com água e consulte imediatamente um médico.** Pode resultar em perda de visão.
5. **Não coloque a bateria em curto-circuito:**
 - (1) **Não toque nos terminais com qualquer material condutor.**
 - (2) **Evite guardar a bateria juntamente com outros objetos metálicos tais como pregos, moedas, etc.**
 - (3) **Não exponha a bateria à água ou chuva.** Um curto-circuito pode ocasionar um enorme fluxo de corrente, sobreaquecimento, possíveis queimaduras e mesmo estragar-se.
6. **Não guarde nem utilize a ferramenta e a bateria em locais onde a temperatura pode atingir ou exceder 50 °C.**
7. **Não queime a bateria mesmo que esteja estragada ou completamente gasta. A bateria pode explodir no fogo.**
8. **Não pregue, corte, esmague, atire, deixe cair a bateria, nem bata a bateria contra um objeto rijo.** Esta conduta pode resultar num incêndio, em calor excessivo ou numa explosão.
9. **Não utilize uma bateria danificada.**
10. **As baterias de íões de lítio contidas na ferramenta são sujeitas aos requisitos da DGL (Dangerous Goods Legislation - Legislação de bens perigosos).**

Para o transporte comercial, por exemplo, por terceiros ou agentes de expedição, têm de ser observados os requisitos referentes à embalagem e etiquetagem.

Para preparação do artigo a ser expedido, é necessário consultar um perito em materiais perigosos. Tenha ainda em conta a possibilidade de existirem regulamentos nacionais mais detalhados.

Coloque fita-cola ou tape os contactos abertos e embale a bateria de tal forma que não possa mover-se dentro da embalagem.
11. **Quando eliminar a bateria, remova-a da ferramenta e elimine-a num local seguro. Siga os regulamentos locais relacionados com a eliminação de baterias.**
12. **Utilize as baterias apenas com os produtos especificados pela Makita.** Instalar as baterias em produtos não-conformes poderá resultar num incêndio, calor excessivo, explosão ou fuga de eletrólito.
13. **Se a ferramenta não for utilizada durante um período de tempo prolongado, a bateria deve ser removida da ferramenta.**
14. **Durante e após a utilização, a bateria pode aquecer, o que pode provocar queimaduras ou queimaduras a baixa temperatura.** Preste atenção ao manuseamento de baterias quentes.
15. **Não toque no terminal da ferramenta imediatamente após a utilização, pois pode ficar suficientemente quente para provocar queimaduras.**
16. **Não permita a adesão de aparas, pó ou sujidade nos terminais, nos orifícios e nas ranhuras da bateria.** Poderá fazer com que a ferramenta ou a bateria aqueça, incendeie, rebente e avarie, resultando em queimaduras ou ferimentos corporais.
17. **A menos que a ferramenta suporte a utilização perto de linhas elétricas de alta tensão, não utilize a bateria perto de linhas elétricas de alta tensão.** Pode resultar no mau funcionamento ou na avaria da ferramenta ou bateria.
18. **Mantenha a bateria afastada das crianças.**

GUARDE ESTAS INSTRUÇÕES.

⚠PRECAUÇÃO: Utilize apenas baterias genuínas da Makita. A utilização de baterias não genuínas da Makita ou de baterias que foram alteradas, pode resultar no rebentamento da bateria provocando incêndios, ferimentos pessoais e danos. Além disso, anulará a garantia da Makita no que se refere à ferramenta e ao carregador Makita.

Conselhos para manter a máxima vida útil da bateria

1. **Carregue a bateria antes que esteja completamente descarregada.** Pare sempre o funcionamento da ferramenta e carregue a bateria quando notar menos poder na ferramenta.
2. **Nunca carregue uma bateria completamente carregada.** Carregamento excessivo diminui a vida útil da bateria.
3. **Carregue a bateria à temperatura ambiente de 10 °C – 40 °C.** Deixe que uma bateria quente arrefeça antes de a carregar.
4. **Quando não utilizar a bateria, remova-a da ferramenta ou do carregador.**
5. **Carregue a bateria se não a utilizar durante um longo período de tempo (mais de seis meses).**

DESCRIÇÃO FUNCIONAL

⚠️PRECAUÇÃO: Certifique-se sempre de que a ferramenta está desligada e a bateria foi retirada antes de regular ou verificar qualquer função na ferramenta.

Instalação ou remoção da bateria

⚠️PRECAUÇÃO: Desligue sempre a ferramenta antes de colocar ou retirar a bateria.

⚠️PRECAUÇÃO: Segure firmemente a ferramenta e a bateria quando instalar ou remover a bateria. Se não segurar firmemente a ferramenta e a bateria pode fazer com que escorreguem das suas mãos resultando em danos na ferramenta e na bateria e ferimentos pessoais.

► Fig.1: 1. Indicador vermelho 2. Botão 3. Bateria

Para retirar a bateria, deslize-a para fora da ferramenta enquanto desliza o botão na frente da bateria.

Para instalar a bateria, alinhe a lingueta na bateria com a ranhura na caixa e deslize-a para a posição correta. Insira-a por completo até bloquear na posição correta com um pequeno clique. Se conseguir ver o indicador vermelho conforme apresentado na figura, não está completamente bloqueada.

⚠️PRECAUÇÃO: Instale sempre a bateria até ao fim, até deixar de ver o indicador vermelho.

Caso contrário, a bateria poderá cair da ferramenta acidentalmente e provocar ferimentos em si mesmo ou em alguém próximo.

⚠️PRECAUÇÃO: Não instale a bateria à força. Se a bateria não deslizar facilmente é porque não foi colocada corretamente.

Sistema de proteção da ferramenta/bateria

A ferramenta está equipada com um sistema de proteção da ferramenta/bateria. Este sistema corta automaticamente a corrente para o motor para aumentar a vida da ferramenta e da bateria. A ferramenta para automaticamente durante o funcionamento se a ferramenta ou bateria for colocada mediante uma das seguintes condições:

Proteção contra sobrecarga

Quando a ferramenta/bateria é operada de uma forma que causa a absorção de uma corrente anormalmente alta, a ferramenta para automaticamente. Nesta situação, desligue a ferramenta e pare a aplicação que causou a sobrecarga da ferramenta. De seguida, ligue a ferramenta para reiniciar.

Proteção contra sobreaquecimento

Quando a ferramenta/bateria fica sobreaquecida, a ferramenta para automaticamente. Neste caso, deixe a ferramenta/bateria arrefecer antes de voltar a ligar a ferramenta.

Proteção contra descarga excessiva

Quando a capacidade da bateria não é suficiente, a ferramenta para automaticamente. Neste caso, retire a bateria da ferramenta e carregue-a.

Proteções contra outras causas

O sistema de proteção foi também concebido para outras causas que possam danificar a ferramenta e permite à ferramenta parar automaticamente. Tome todas as medidas que se seguem para eliminar as causas quando a ferramenta tiver parado ou interrompido temporariamente a operação.















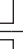


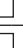



1. Desligue a ferramenta e, em seguida, volte a ligá-la para reiniciar.
2. Carregue a(s) bateria(s) ou substitua-a(s) por bateria(s) recarregada(s).
3. Deixe a ferramenta e a(s) bateria(s) arrefecerem.

Se não for possível constatar qualquer melhoria através do restauro do sistema de proteção, contacte o centro de assistência Makita local.

Indicação da capacidade restante da bateria

Prima o botão de verificação na bateria para indicar a capacidade restante da bateria. As luzes indicadoras acendem durante alguns segundos.

► Fig.2: 1. Luzes indicadoras 2. Botão de verificação

Luzes indicadoras			Capacidade restante
 Aceso	 Apagado	 A piscar	
			75% a 100%
			50% a 75%
			25% a 50%
			0% a 25%
			Carregar a bateria.
			A bateria pode estar avariada.

NOTA: Dependendo das condições de utilização e da temperatura ambiente, a indicação pode ser ligeiramente diferente da capacidade real.

NOTA: A primeira luz indicadora (extremo esquerdo) pisca quando o sistema de proteção da bateria funciona.

Botão de bloqueio do gatilho

⚠️ PRECAUÇÃO: Antes de colocar a bateria na ferramenta, verifique sempre se o gatilho do interruptor funciona corretamente e volta para a posição "OFF" quando libertado.

⚠️ PRECAUÇÃO: Quando não estiver a utilizar a ferramenta, prima o botão de bloqueio do gatilho a partir do lado B para bloquear o gatilho na posição de desligado.

- Fig.3: 1. Botão de bloqueio do gatilho 2. Gatilho
► Fig.4

Para evitar que o gatilho seja puxado acidentalmente, é fornecido o botão de bloqueio do gatilho.

Para puxar o gatilho, prima o botão de bloqueio do gatilho a partir do lado A.

Depois de utilizar, prima sempre o botão de bloqueio do gatilho a partir do lado B.

Ajustar a profundidade de pregagem de pinos

⚠️ AVISO: Certifique-se sempre de que não tem os dedos colocados no gatilho do interruptor ou no elemento de contacto e que a bateria é removida antes de regular a profundidade de pregagem.

A profundidade de pregagem de pinos pode ser ajustada rodando o regulador na ferramenta. Um pino de pregar aperta mais profundamente à medida que roda o regulador na direção A apresentada na figura e menos profundamente na direção B, dentro de um intervalo de até 1,5 mm.

- Fig.5: 1. Regulador

- Fig.6: 1. Demasiado profundo 2. Profundidade correta 3. Demasiado superficial

Acender a luz

⚠️ PRECAUÇÃO: Não olhe para a luz ou para a fonte de iluminação diretamente.

Puxe o gatilho do interruptor ou acione o elemento de contacto para acender a luz. A luz permanece acesa durante até 60 segundos enquanto puxa o gatilho do interruptor ou aciona o elemento de contacto. A luz apaga-se aproximadamente 10 segundos após soltar o gatilho do interruptor e o elemento de contacto.

- Fig.7: 1. Lâmpada

OBSERVAÇÃO: Utilize um pano seco para limpar a sujidade da lente da lâmpada. Tenha cuidado para não riscar a lente da lâmpada ou a iluminação pode ficar enfraquecida.

OBSERVAÇÃO: A ferramenta pode não disparar pinos de pregar após a alimentação da bateria ficar fraca mesmo enquanto a luz permanece acesa. Neste caso, carregue a bateria.

OBSERVAÇÃO: Quando a ferramenta estiver sobreaquecida, a luz pisca. Neste caso, solte o gatilho do interruptor e o elemento de contacto e, em seguida, arrefeça a ferramenta/bateria antes de voltar a operar.

OBSERVAÇÃO: A luz começa a piscar se o pinador detetar um erro durante o aperto de pinos de pregar. Neste caso, leve o pinador a um centro de assistência de fábrica.

MONTAGEM

⚠️ PRECAUÇÃO: Certifique-se sempre de que não tem os dedos colocados no gatilho do interruptor ou no elemento de contacto e que a bateria é removida antes de realizar qualquer trabalho no pinador.

Carregar e descarregar pinos de pregar

⚠️ PRECAUÇÃO: Certifique-se sempre de que não tem os dedos colocados no gatilho e que a bateria é removida antes de carregar os pinos de pregar. O disparo não intencional pode provocar ferimentos pessoais e danos na propriedade.

⚠️ PRECAUÇÃO: Evite abrir e fechar bruscamente a porta deslizante do magazine enquanto os pinos de pregar são carregados no magazine. Deixar cair acidentalmente pinos de pregar, especialmente quando estiver a trabalhar em locais elevados, poderá causar ferimentos pessoais.

1. Pressione a alavanca de bloqueio e abra a porta deslizante do magazine.

- Fig.8: 1. Alavanca de bloqueio 2. Porta deslizante 3. Magazine

2. Coloque uma tira de pinos de pregar com triângulos tracejados a apontar para baixo, alinhando as pontas dos pinos de pregar com as ranhuras de guia na parte inferior do magazine. Certifique-se de que as pontas dos pinos tocam na parte inferior do magazine e, em seguida, deslize suavemente a tira de pinos de pregar em direção à guia do acionador.

- Fig.9: 1. Pinos de pregar 2. Triângulo tracejado 3. Ranhuras de guia 4. Guia do acionador

- Fig.10: 1. Pinos de pregar 2. Parte inferior do magazine 3. Folgas

OBSERVAÇÃO: Certifique-se de que as pontas dos pinos de pregar são colocadas firmemente na parte inferior do magazine. Quaisquer folgas em torno das pontas dos pinos de pregar podem causar encravamento e danos na ferramenta.

OBSERVAÇÃO: Carregue os pinos de pregar no sentido correto. Carregar no sentido incorreto poderá causar o desgaste e o rasgo prematuro do acionador e danos nas outras peças.

OBSERVAÇÃO: Não utilize tiras de pinos de pregar deformadas. Utilize os pinos de pregar especificados neste manual. Utilizar pinos de pregar além dos especificados poderá causar o encravamento de pinos e a quebra da ferramenta.

OBSERVAÇÃO: Evite carregar tiras de pinos de menos pinos de pregar, especialmente quando utilizar pinos de pregar em comprimentos curtos. Tal pode causar encravamento e danos na ferramenta.

OBSERVAÇÃO: Não carregue tiras de pinos de diferentes comprimentos ou múltiplas tiras de pinos de menos pinos de pregar de uma vez. Caso contrário, tal pode causar encravamento e danos na ferramenta.

3. Recoloque a porta deslizante na posição original e bloqueie-a no devido lugar com a alavanca de bloqueio.

OBSERVAÇÃO: Feche suavemente a porta deslizante. Aplicar uma força excessiva pode causar deformação nos pinos de pregar e a porta deslizante pode não regressar à posição original.

Para remover os pinos de pregar, pressione a alavanca de bloqueio e deslize a porta deslizante para abrir. Retire os pinos de pregar do magazine.

Adaptador da cabeça

PRECAUÇÃO: Certifique-se sempre de que não tem os dedos colocados no gatilho do interruptor ou no elemento de contacto e que a bateria é removida antes de instalar o adaptador da cabeça.

Quando disparar pinos de pregar no material com superfícies facilmente manchadas, utilize o adaptador da cabeça.

Coloque o adaptador da cabeça sobre a parte superior de contacto da guia do acionador de modo que as projeções de guia no interior do adaptador da cabeça encaixem bem nos entalhes de guia na guia do acionador.

Pode guardar o adaptador da cabeça no suporte na extremidade traseira do magazine para evitar perdê-lo.

► **Fig.11:** 1. Adaptador da cabeça 2. Guia do acionador 3. Projeções de guia 4. Entalhes de guia 5. Suporte

Adaptador da cabeça para apertar em superfícies planas

Acessório opcional

Utilize o adaptador da cabeça opcional concebido para a operação de aperto em superfícies planas e niveladas. Tal protege as superfícies macias da peça de trabalho contra marcas e riscos que possam ser feitos pelas partes superiores de contacto pontiagudas redondas.

► **Fig.12**

Coloque o adaptador da cabeça opcional sobre a parte superior de contacto da guia do acionador de modo que as projeções de guia no interior do adaptador da cabeça encaixem bem nos entalhes de guia na guia do acionador.

► **Fig.13:** 1. Adaptador da cabeça opcional 2. Guia do acionador 3. Projeções de guia 4. Entalhes de guia

Gancho

PRECAUÇÃO: Quando instalar o gancho, fixe-o sempre firmemente com o parafuso. Caso contrário, o gancho sai da ferramenta, resultando em lesão física.

PRECAUÇÃO: Utilize as peças para pendurar/de montagem apenas para as suas finalidades previstas. A utilização para finalidades não previstas pode causar um acidente ou ferimentos pessoais.

PRECAUÇÃO: Não pendure o gancho no cinto para a cintura. Deixar cair o pinador, o que é provocado por o gancho sair acidentalmente do lugar, pode provocar o disparo não intencional e resultar em ferimentos pessoais.

► **Fig.14**

O gancho é conveniente para pendurar a ferramenta temporariamente. Este pode ser instalado em qualquer um dos lados da ferramenta.

Para instalar o gancho, insira-o na ranhura na caixa da ferramenta em qualquer um dos lados e fixe-o com um parafuso. Para remover, solte o parafuso e retire-o.

► **Fig.15:** 1. Ranhura 2. Gancho 3. Parafuso

Armazenamento da chave hexagonal

Quando não estiver a utilizá-la, guarde a chave hexagonal conforme indicado na figura para evitar perdê-la.

► **Fig.16:** 1. Chave hexagonal

OPERAÇÃO

Testar o sistema de segurança

AVISO: Certifique-se de que todos os sistemas de segurança estão a funcionar adequadamente antes da operação. Caso contrário, pode provocar ferimentos pessoais.

► **Fig.17:** 1. Botão de bloqueio do gatilho 2. Gatilho 3. Elemento de contacto 4. Magazine

Teste os sistemas de segurança da seguinte forma quanto a possível falha antes da operação.

1. Descarregue os pinos de pregar da ferramenta e mantenha o magazine aberto.
2. Instale a bateria e solte o bloqueio do gatilho.
3. Puxe o gatilho do interruptor sem tocar no elemento de contacto encostado ao material.
4. Toque no elemento de contacto encostado ao material sem puxar o gatilho do interruptor.

Se a ferramenta funcionar no caso de 3 ou 4 acima, os sistemas de segurança estão avariados. Pare a utilização da ferramenta imediatamente e peça ajuda ao centro de assistência local.

Apertar pinos de pregar

⚠️ AVISO: Não utilize este pinador para prender cabos elétricos. Este não foi concebido para a instalação de cabos elétricos e pode danificar o isolamento dos cabos elétricos, causando dessa forma choque elétrico ou perigo de incêndio.

⚠️ AVISO: Continue a colocar o elemento de contacto firmemente sobre o material até o pino de pregar ser aparafusado completamente. O disparo não intencional pode provocar ferimentos pessoais.

⚠️ PRECAUÇÃO: Segure a ferramenta firmemente durante a operação.

⚠️ PRECAUÇÃO: Não utilize a ferramenta além do tempo de funcionamento contínuo permitido. Caso contrário, pode causar danos na ferramenta que resultam em ferimentos pessoais.

OBSERVAÇÃO: A ferramenta não recomeça o aperto após cinco segundos sem operação do interruptor enquanto o elemento de contacto estiver colocado na peça de trabalho. Liberte o elemento de contacto da peça de trabalho e reposicione-o no devido lugar para recomeçar o aperto.

1. Solte o bloqueio do gatilho.
2. Coloque o elemento de contacto encostado ao material.
3. Puxe o gatilho do interruptor até ao fim para apertar um pino de pregar.
4. Para aparafusar o prego seguinte, solte o dedo do gatilho do interruptor uma vez e repita os passos 2 e 3 anteriores.

► **Fig.18:** 1. Gatilho do interruptor 2. Elemento de contacto

Também pode aparafusar os pinos de pregar quando arrastar a ferramenta para a área seguinte com o elemento de contacto pressionado contra o material e pressionando o gatilho do interruptor.

► **Fig.19**

Se a cabeça do pino de pregar permanecer acima da superfície da peça de trabalho, aparafuse o pino de pregar enquanto segura firmemente a cabeça do pino de pregar contra a peça de trabalho.

► **Fig.20**

NOTA: Se a cabeça do pino de pregar ainda permanecer acima da peça de trabalho mesmo quando segura a cabeça do pinador, o material poderá não ser adequado para o pinador. Continuar a utilizar o pinador nesse material pode provocar danos no acionador do pinador e/ou encravamento no pinador.

Mecanismo antidisparo a seco

⚠️ AVISO: Certifique-se sempre de que não tem os dedos colocados no gatilho do interruptor ou no elemento de contacto e que a bateria é removida antes de carregar os pinos de pregar.

Quando o número de pinos de pregar restantes no magazine se situa entre 0 a 3 peças, o gatilho do interruptor deixa de poder ser puxado. Nesta altura, insira uma nova tira de pinos de pregar no magazine e o gatilho do interruptor pode ser novamente puxado.

NOTA: Quando disparar um comprimento diferente de pinos de pregar logo após o mecanismo antidisparo a seco ser acionado, insira uma nova tira de pinos de pregar no magazine e dispare todos os pinos de pregar anteriores que restaram no material de sucata.

Verificar os pinos de pregar restantes

Podem verificar a quantidade de pinos de pregar restantes através da janela de observação.

O indicador vermelho move-se em direção à abertura de disparo à medida que a quantidade de pinos restantes fica mais reduzida.

► **Fig.21:** 1. Janela de observação 2. Indicador

Remover os pinos de pregar encravados

⚠️ AVISO: Certifique-se sempre de que solta o gatilho e que a bateria e os pinos de pregar foram retirados antes de remover pinos de pregar encravados.

⚠️ PRECAUÇÃO: Não remova os pinos de pregar encravados com as mãos desprotegidas. Os pinos de pregar podem saltar para fora do magazine e provocar ferimentos.

1. Remova todos os pinos de pregar deixados no magazine.
2. Desaparafuse os três pernos hexagonais na cobertura da guia do acionador utilizando a chave hexagonal.
3. Remova os pinos de pregar encravados das ranhuras de guia dos pinos na guia do acionador.

► **Fig.22:** 1. Perno hexagonal 2. Cobertura da guia do acionador 3. Cobertura superior de contacto 4. Guia do acionador

NOTA: Se tiver dificuldade em remover os pinos de pregar encravados, desapeste os dois pernos hexagonais na cobertura superior de contacto utilizando a chave hexagonal e, em seguida, retire os pinos de pregar encravados da guia do acionador.

4. Volte a colocar as coberturas no devido lugar e fixe-as sobre a guia do acionador com os pernos hexagonais.

OBSERVAÇÃO: Após eliminar os encravamentos, certifique-se sempre de que as coberturas na guia do acionador foram corretamente remontadas. Se a guia do acionador funcionar incorretamente, volte a montá-las com os pernos hexagonais.

MANUTENÇÃO

⚠️ PRECAUÇÃO: Certifique-se sempre de que a ferramenta se encontra desligada e de que a bateria foi retirada antes de executar qualquer inspeção ou manutenção.

OBSERVAÇÃO: Nunca utilize gasolina, benzina, diluente, álcool ou produtos semelhantes. Pode ocorrer a descoloração, deformação ou rachaduras.

Para manter a SEGURANÇA e a FIABILIDADE do produto, as reparações e qualquer outra manutenção ou ajuste devem ser levados a cabo pelos centros de assistência Makita autorizados ou pelos centros de assistência de fábrica, utilizando sempre peças de substituição Makita.

Limpar o magazine

Limpe o interior do magazine regularmente. Sopre ou limpe qualquer sujidade, pó, aparas de madeira e cola de pinos acumulados nas ranhuras de guia.

► **Fig.23:** 1. Ranhuras de guia

OBSERVAÇÃO: A sujidade e o pó nas ranhuras de guia podem afetar a alimentação de pinos de pregar dando origem a um disparo a seco ocasional.

ACESSÓRIOS OPCIONAIS

⚠️ PRECAUÇÃO: Estes acessórios ou peças são recomendados para utilização com a ferramenta Makita especificada neste manual. A utilização de outros acessórios ou peças pode ser perigosa para as pessoas. Utilize apenas acessórios ou peças para os fins indicados.

Se necessitar de informações adicionais relativas a estes acessórios, solicite-as ao seu centro de assistência Makita.

- Pinos de pregar
- Adaptador da cabeça (para apertar em superfícies planas)
- Bateria e carregador genuínos da Makita

NOTA: Alguns itens da lista podem estar incluídos na embalagem da ferramenta como acessórios padrão. Eles podem variar de país para país.

SPECIFIKATIONER

Model:	PT001G
Størrelse af stifter	ø0,6 mm x 15, 18, 25, 30, 35 mm
Kapacitet af stiftemagasin	100 stk.
Mål med BL4025, uden krog (L x B x H)	265 mm x 86 mm x 226 mm
Mærkespænding	D.C. Maks. 36 V - 40 V
Nettovægt	2,4 - 3,0 kg

- På grund af vores kontinuerlige forsknings- og udviklingsprogrammer kan hosstående specifikationer blive ændret uden varsel.
- Specifikationer og akku kan variere fra land til land.
- Vægten kan være anderledes afhængigt af tilbehøret, inklusive akkuen. Den letteste og tungeste kombination i henhold til EPA-procedure 01/2014 er vist i tabellen.

Anvendelig akku og oplader

Akku	BL4020* / BL4025* / BL4040 / BL4050F * : Anbefalet batteri
Oplader	DC40RA / DC40RB / DC40RC

- Nogle af de akkuer og opladere, der er angivet ovenfor, er muligvis ikke tilgængelige, afhængigt af hvilket område du bor i.

⚠ ADVARSEL: Brug kun de akkuer og opladere, der er angivet ovenfor. Brug af andre akkuer og opladere kan medføre personskaade og/eller brand.

Tilsigtet anvendelse

Maskinen er beregnet til at trykke stifter ind i byggematerialer som f.eks. tømmer.

Støj

Det typiske A-vægtede støjniveau bestemt i overensstemmelse med EN60745-2-16:
Lydtryksniveau (L_{pA}) : 79 dB (A)
Usikkerhed (K): 3 dB (A)

Støjniveauet under arbejdet kan overskride 80 dB (A).

BEMÆRK: De(n) angivne støjemissionsværdi(er) er målt i overensstemmelse med en standardtestmetode og kan anvendes til at sammenligne en maskine med en anden.

BEMÆRK: De(n) angivne støjemissionsværdi(er) kan også anvendes i en præliminær eksponeringsvurdering.

⚠ ADVARSEL: Bær høreværn.

⚠ ADVARSEL: Støjemissionen under den faktiske anvendelse af maskinen kan være forskellig fra de(n) angivne værdi(er), afhængigt af den måde hvorpå maskinen anvendes, især den type arbejdsemne der behandles.

⚠ ADVARSEL: Sørg for at identificere de sikkerhedsforskrifter til beskyttelse af operatøren, som er baseret på en vurdering af eksponering under de faktiske brugsforhold (med hensyntagen til alle dele i brugscyklussen, f.eks. de gange, hvor maskinen er slukket, og når den kører i tomgang i tilgift til afbrydertiden).

Vibration

Den samlede vibrationsværdi bestemt i henhold til EN60745-2-16:

Vibrationsemission (a_h): 2,5 m/s² eller mindre
Usikkerhed (K): 1,5 m/s²

BEMÆRK: De(n) angivne totalværdi(er) for vibration er målt i overensstemmelse med en standardtestmetode og kan anvendes til at sammenligne en maskine med en anden.

BEMÆRK: De(n) angivne totalværdi(er) for vibration kan også anvendes i en præliminær eksponeringsvurdering.

⚠ ADVARSEL: Vibrationsemissionen under den faktiske anvendelse af maskinen kan være forskellig fra de(n) angivne værdi(er), afhængigt af den måde hvorpå maskinen anvendes, især den type arbejdsemne der behandles.

⚠ ADVARSEL: Sørg for at identificere de sikkerhedsforskrifter til beskyttelse af operatøren, som er baseret på en vurdering af eksponering under de faktiske brugsforhold (med hensyntagen til alle dele i brugscyklussen, f.eks. de gange, hvor maskinen er slukket, og når den kører i tomgang i tilgift til afbrydertiden).

EF-overensstemmelseserklæring

Kun for lande i Europa

EF-overensstemmelseserklæringen er inkluderet som Bilag A i denne brugsanvisning.

SIKKERHEDSADVARSLER

Almindelige sikkerhedsregler for el-værktøj

⚠ ADVARSEL: Læs alle de sikkerhedsadvarsler, instruktioner, illustrationer og specifikationer, der følger med denne maskine. Forsømmelse af at overholde alle nedenstående instruktioner kan medføre elektrisk stød, brand og/eller alvorlig personskade.

Gem alle advarsler og instruktioner til fremtidig reference.

Ordet "el-værktøj" i advarslerne henviser til det netforsynede (netledning) el-værktøj eller batteriforsynede (akku) el-værktøj.

Sikkerhedsadvarsler for akku-stiftepistol

1. **Gå altid ud fra, at maskinen indeholder fastgørelsesmidler.** Uforsigtig håndtering af stiftepistolen kan medføre uventet affyring af fastgørelsesmidler og personskade.
2. **Ret ikke maskinen mod dig selv eller andre i nærheden.** Uventet udløsning vil affyre fastgørelsesmidlet og medføre personskade.
3. **Aktiver ikke maskinen, medmindre maskinen er anbragt fast mod arbejdsområdet.** Hvis maskinen ikke har kontakt med arbejdsområdet, kan fastgørelsesmidlet blive slynget væk fra målet.
4. **Afbryd maskinen fra strømkilden, hvis fastgørelsesmidlet sætter sig fast i maskinen.** Hvis stiftepistolen er tilsluttet, kan den blive aktiveret ved et uheld under fjernelsen af et fastklemt fastgørelsesmiddel.
5. **Vær forsigtig ved fjernelse af et fastklemt fastgørelsesmiddel.** Mekanismen kan være under tryk, og fastgørelsesmidlet kan blive udløst med stor kraft under forsøg på at afhjælpe en fastklemning.
6. **Anvend ikke stiftepistoler til at fastgøre el-kabler.** Den er ikke beregnet til installation af el-kabler og kan beskadige el-kablernes isolation og derved forårsage elektrisk stød og brandfare.
7. **Hold hænder og fødder på god afstand af udskubningsportens område.**
8. **Følg instruktionerne for smøring og udskiftning af tilbehør.**
9. **Tag altid akkuen ud før indsættelse af fastgørelsesmidler, justering, inspektion, vedligeholdelse, eller når du er færdig med brugen.**
10. **Sørg for, at der ikke er andre i nærheden, før du påbegynder brugen.** Forsøg aldrig at indsætte fastgørelsesmidler fra både inder- og ydersiden af væggen på samme tid. Fastgørelsesmidler kan gå gennem og/eller flyve væk, hvilket kan være meget farligt.
11. **Sørg for solidt fodfæste, og hold altid balancen med maskinen.** Sørg for, at der ikke befinder sig nogen under dig, når du arbejder på højtliggende steder.

12. **Anvend aldrig maskiner til idrivning af fastgørelsesmidler, der er mærket med symbolet "Må ikke anvendes på stilladser og stiger", til bestemte formål, f.eks.:**
 - ved skift fra et arbejdssted til et andet, der involverer brug af stilladser, trapper, stiger eller stige-lignende konstruktioner som f.eks. taglægter
 - lukning af kasser eller tremmekasser
 - montering af transportsikkerhedssystemer, f.eks. på biler og vogne.
13. **Kontroller omhyggeligt vægge, lofter, gulve, tagmaterialer og lignende for at undgå risiko for elektrisk stød, udsivning af gas, eksplosioner osv. forårsaget af indførsel af krømper i strømførende ledninger, ledningsrør eller gasrør.**
14. **Brug kun de i denne brugsvejledning specificerede fastgørelsesmidler.** Brug af andre fastgørelsesmidler kan bevirke, at maskinen ikke fungerer korrekt.
15. **Foretag ikke ændringer til maskinen, og forsøg ikke at bruge den til andre formål end at indsætte fastgørelsesmidler.**
16. **Anvend ikke maskinen uden fastgørelsesmidler.** Det forkorter maskinens levetid.
17. **Ophør øjeblikkeligt med arbejdet, hvis du registrerer, at noget er forkert eller virker usædvanligt ved maskinen.**
18. **Fastgør aldrig i materialer, hvor fastgørelsesmidlet kan slå hul og flyve igennem som et projektil.**
19. **Aktiver aldrig afbryderknappen og kontaktelelementet samtidig, før du er klar til at fastgøre arbejdsområdet.** Lad arbejdsområdet trykke kontaktelelementet ned. Tilsidesæt aldrig kontaktelelementets formål ved at fastgøre det tilbage eller holde det nede med hænderne.
20. **Lav aldrig om på kontaktelelementet.** Kontroller hyppigt, at kontaktelelementet fungerer korrekt.
21. **Fjern altid fastgørelsesmidler fra maskinen, når den ikke er i brug.**

GEM DENNE BRUGSANVISNING.

⚠ ADVARSEL: LAD IKKE bekvemmelighed eller kendskab til produktet (opnået gennem gentagen brug) forhindre, at sikkerhedsforskrifterne for produktet nøje overholdes. MISBRUG eller forsømmelse af at følge de i denne brugsvejledning givne sikkerhedsforskrifter kan føre til, at De kommer alvorligt til skade.

Vigtige sikkerhedsinstruktioner for akkuen

1. **Læs alle instruktioner og advarselmærkater på (1) akku-opladeren, (2) akkuen og (3) produktet, som anvender akku.**
2. **Adskil eller ændr ikke akkuen.** Det kan muligvis resultere i en brand, overdreven varme eller eksplosion.
3. **Hold straks op med anvendelsen, hvis brugstiden er blevet stærkt afkortet.** Fortsæt anvendelse kan resultere i risiko for overophedning, forbrændinger og endog eksplosion.
4. **Hvis De har fået elektrolytvæske i øjnene, skal De straks skylle den ud med rent vand og derefter øjeblikkeligt søge lægehjælp.** I modsat fald kan De miste synet.

5. **Vær påpasselig med ikke at komme til at kortslutte akkuen:**
 - (1) **Rør ikke ved terminalerne med noget ledende materiale.**
 - (2) **Udgå at opbevare akkuen i en beholder sammen med andre genstande af metal, for eksempel søm, mønter og lignende.**
 - (3) **Udsæt ikke akkuen for vand eller regn. Kortslutning af akkuen kan forårsage en kraftig øgning af strømmen, overophedning, mulig forbrændinger og endog værktøjstop.**
6. **Opbevar og brug ikke maskinen og akkuen på steder, hvor temperaturen muligvis kan nå eller overstige 50 °C.**
7. **Lad være med at brænde akkuen, selv ikke i tilfælde, hvor den har lidt alvorlig skade eller er fuldstændig udtjent. Akkuen kan eksplodere, hvis man forsøger at brænde den.**
8. **Slå ikke søm i, skær ikke i, knus, kast, tab ikke akkuen og stød ikke akkuen mod en hård genstand. Sådanne adfærd kan muligvis resultere i en brand, overdreven varme eller eksplosion.**
9. **Anvend ikke en beskadiget akku.**
10. **De indbyggede litium-ion-batterier er underlagt lovkrav vedrørende farligt gods.**
 Ved kommerciel transport, f.eks. af tredjeparts transportselskaber, skal særlige krav til forpakning og mærkning overholdes.
 Ved forberedelse af udstyret til forsendelse skal du kontakte en ekspert i farligt gods. Overhold også eventuel mere detaljeret national lovgivning.
 Tape eller tildæk åbne kontakter, og pak batteriet på en måde, så det ikke kan flytte sig rundt i pakningen.
11. **Når akkuen bortskaffes, skal du fjerne den fra maskinen og bortskaffe den på et sikkert sted. Følg de lokale love vedrørende bortskaffelsen af batterier.**
12. **Brug kun batterierne med de produkter, som Makita specificerer. Hvis batterierne installeres i ikke-kompatible produkter, kan det medføre brand, kraftig varme, eksplosion eller udsivning af elektrolyt.**
13. **Hvis maskinen ikke skal bruges i længere tid ad gangen, skal du fjerne batteriet fra maskinen.**
14. **Akkuen kan muligvis under og efter brug være varm, hvilket kan forårsage forbrændinger eller lavtemperaturforbrændinger. Vær påpasselig med håndtering af varme akkuer.**
15. **Rør ikke terminalen på maskinen straks efter brug, da den bliver varm nok til at forårsage forbrændinger.**
16. **Sørg for, at spåner, støv eller jord ikke sætter sig fast i akkuens terminaler, huller og riller. Det kan forårsage opvarmning, antændelse, sprængning og funktionsfejl i maskinen eller akkuen, hvilket kan medføre forbrændinger eller personskade.**
17. **Medmindre maskinen understøtter brugen i nærheden af elektriske højspændingsledninger, skal du ikke anvende akkuen i nærheden af elektriske højspændingsledninger. Det kan muligvis medføre funktionsfejl på eller nedbrud af maskinen eller akkuen.**
18. **Opbevar batteriet utilgængeligt for børn.**

⚠FORSIGTIG: Brug kun originale batterier fra Makita. Brug af uoriginale Makita-batterier, eller batterier som er blevet ændret, kan muligvis medføre brud på batteriet, hvilket kan forårsage brand, personskade eller beskadigelse. Det ugyldiggør også Makita-garantien for Makita-maskinen og opladeren.

Tips til opnåelse af maksimal akku-levetid

1. **Oplad akkuen, inden den er helt afladet. Stop altid værktøjet, og oplad akkuen, hvis De bemærker, at værktøjeffekten er aftagende.**
2. **Genoplad aldrig en fuldt opladet akku. Overopladning vil forkorte akkuens levetid.**
3. **Oplad akkuen ved stuetemperatur ved 10 °C - 40 °C. Lad altid en varm akku få tid til at køle af, inden den oplades.**
4. **Når du ikke anvender akkuen, skal du fjerne den fra maskinen eller opladeren.**
5. **Oplad akkuen, hvis De ikke skal bruge den i længere tid (mere end seks måneder).**

FUNKTIONSBESKRIVELSE

⚠FORSIGTIG: Sørg altid for at maskinen er slukket, og at akkuen er taget ud, før der udføres justering eller kontrol af funktioner på maskinen.

Isætning eller fjernelse af akkuen

⚠FORSIGTIG: Sluk altid for værktøjet, før De monterer eller fjerner akkuen.

⚠FORSIGTIG: Hold værktøjet og akkuen fast ved montering eller fjernelse af akkuen. Hvis De ikke holder værktøjet og akkuen fast, kan de glide ud af hænderne på Dem og forårsage beskadigelse af værktøjet og akkuen eller personskade.

► Fig. 1: 1. Rød indikator 2. Knap 3. Akku

Akkuen fjernes ved, at De trækker den ud af værktøjet, idet De skyder knappen på forsiden af akkuen i stilling.

For at montere akkuen skal du justere tungen på akkuen med rillen i huset og skubbe den på plads. Indsæt den hele vejen, indtil den låses på plads med et lille klik. Hvis du kan se den røde indikator, som vist i figuren, er den ikke helt låst.

⚠FORSIGTIG: Monter altid akkuen helt, indtil den røde indikator ikke længere er synlig. Hvis dette ikke gøres, kan den falde ud af værktøjet ved et uheld, hvorved De selv eller personer i nærheden kan komme til skade.

⚠FORSIGTIG: Brug ikke magt ved montering af akkuen. Hvis akkuen ikke glider på plads uden problemer, betyder det, at den ikke sættes i på korrekt vis.

GEM DENNE BRUGSANVISNING.

Beskyttelsessystem til værktøj/batteri

Maskinen er udstyret med et beskyttelsessystem til maskinen/batteriet. Dette system afbryder automatisk strømmen til motoren for at forlænge maskinens og batteriets levetid. Maskinen stopper automatisk under brugen, hvis maskinen eller batteriet udsættes for et følgende forhold:

Overbelastningsbeskyttelse

Når maskinen/batteriet betjenes på en måde, der får den/det til at bruge unormalt meget strøm, stopper maskinen automatisk. I denne situation skal du slukke for maskinen og stoppe den anvendelse, der fik maskinen til at blive overbelastet. Tænd derefter maskinen for at starte igen.

Beskyttelse mod overophedning

Hvis maskinen/batteriet er overophedet, stopper maskinen automatisk. Lad i så fald maskinen/batteriet køle ned, før der tændes for maskinen igen.

Beskyttelse mod overafledning

Når batteriladningen er utilstrækkelig, stopper maskinen automatisk. Tag i så fald akkuen ud af maskinen, og oplad akkuen.

Beskyttelse mod andre årsager

Beskyttelsessystemet er også designet til andre årsager, der kan beskadige maskinen og gør det muligt for maskinen at stoppe automatisk. Træf alle følgende foranstaltninger for at fjerne årsagerne, når maskinen midlertidigt er blevet bragt til standsning eller stoppet i drift.

1. Sluk for maskinen, og tænd den igen for at genstarte.
2. Oplad batteriet/batterierne eller udskift det/dem med genopladet/genopladede batteri/batterier.
3. Lad maskinen og batteriet/batterierne køle af.

Hvis der ikke kan findes nogen forbedring ved at gendanne beskyttelsessystemet, skal det lokale Makita-servicecenter kontaktes.

Indikation af den resterende batteriladning

Tryk på kontrolknappen på akkuen for at få vist den resterende batteriladning. Indikatorlampen lyser i nogle sekunder.

► **Fig.2:** 1. Indikatorlamper 2. Kontrolknap

Indikatorlamper			Resterende ladning
Tændt	Slukket	Blinker	
			75% til 100%
			50% til 75%
			25% til 50%
			0% til 25%
			Genoplad batteriet.
			Der er muligvis fejl i batteriet.

BEMÆRK: Afhængigt af brugsforholdene og den omgivende temperatur kan indikationen afvige en smule fra den faktiske ladning.

BEMÆRK: Den første indikatorlampe (længst mod venstre) vil blinke, når batteribeskyttelsessystemet aktiveres.

Afbryderlåseknop

⚠FORSIGTIG: Inden akkuen sættes i maskinen, bør De altid kontrollere, at afbryderknappen fungerer korrekt, og returnerer til "OFF"-positionen, når den slippes.

⚠FORSIGTIG: Når maskinen ikke er i brug, skal du trykke på afbryderlåseknappen fra B-siden for at låse afbryderknappen fast i til-stillingen.

► **Fig.3:** 1. Afbryderlåseknop 2. Afbryderknap

► **Fig.4**

En afbryderlåseknop forhindrer, at der trykkes på afbryderknappen ved et uheld.

Tryk på afbryderlåseknappen fra A-siden for at trykke på afbryderknappen.

Tryk altid afbryderlåseknappen ind fra B-siden efter brug.

Justering af dybden for idrivning af stifter

⚠ADVARSEL: Sørg altid for, at du ikke har fingrene på afbryderknappen eller kontaktelelementet, og at akkuen er taget ud, før du justerer dybden for idrivning af stifter.

Dybden af idrivning af stifter kan justeres ved at dreje justeringsmekanismen på maskinen. En stift idrives dybere, når du drejer justeringsmekanismen i A-retningen, der er vist på figuren, og lavere i B-retningen, inden for et område på op til 1,5 mm.

► **Fig.5:** 1. Justeringsmekanisme

► **Fig.6:** 1. For dyb 2. Korrekt dybde 3. For lav

Tænding af lampen

⚠FORSIGTIG: Kig aldrig direkte på lyskilden. Lad ikke lyset falde i Deres øjne.

Tryk på afbryderknappen, eller aktiver kontaktelelementet for at tænde lampen. Lampen forbliver tændt i op til 60 sekunder, så længe der trykkes på afbryderknappen, eller kontaktelelementet er aktiveret. Lampen slukkes ca. 10 sekunder efter, at afbryderknappen og kontaktelelementet slippes.

► **Fig.7:** 1. Lampe

BEMÆRKNING: Brug en tør klud til at tørre snavset af lampens linse. Pas på ikke at ridse lampens linse, da dette muligvis kan dæmpe belysningen.

BEMÆRKNING: Maskinen kan muligvis ikke affyre stifter, når batteriet er ved at løbe tør for strøm, selvom lampen forbliver tændt. I så fald skal du oplade akkuen.

BEMÆRKNING: Når maskinen er overophedet, blinker lampen. I dette tilfælde skal du slippe afbryderknappen og kontaktele mentet, og derefter nedkøle maskinen/batteriet, før den/det anvendes igen.

BEMÆRKNING: Lampen begynder at blinke, hvis stiftepistolen registrerer en fejl under idrivningen af stifter. I så fald skal stiftepistolen afleveres hos et fabrikksservicecenter.

SAMLING

⚠FORSIGTIG: Sørg altid for, at du ikke har fingrene på afbryderknappen eller kontaktele mentet, og at akkuen er taget ud, før du udfører nogen form for arbejde på stiftepistolen.

Isætning og fjernelse af stifter

⚠FORSIGTIG: Sørg altid for, at fingrene ikke er placeret på afbryderen, og at akkuen afmonteres før isætning af stifter. Utsigtet affyring kan medføre personskade og tingskade.

⚠FORSIGTIG: Undgå at smække magasinet skydelem åben og lukket, mens der isættes stifter i magasinet. Hvis du taber stifter ved et uheld, kan det medføre personskade, især når der arbejdes på højtliggende steder.

1. Tryk på låsehåndtaget, og åbn skydelemmen til magasinet.
▶ **Fig.8:** 1. Låsehåndtag 2. Skydelem 3. Magasin
2. Isæt et stiftbånd med stiplede trekanter pegende, mens du justerer spidserne af stifterne med styrerillerne i bunden af magasinet. Sørg for, at stiftspidserne berører bunden af magasinet, og skub derefter forsigtigt stiftbåndet mod drevguiden.
▶ **Fig.9:** 1. Stifter 2. Stiplet trekant 3. Styreriller 4. Drevguide
- ▶ **Fig.10:** 1. Stifter 2. Bunden af magasinet 3. Mellemrum

BEMÆRKNING: Sørg for, at spidserne på stifterne placeres fast på bunden af magasinet. Eventuelle mellemrum omkring spidserne på stifterne kan forårsage fastklemning og beskadigelse af maskinen.

BEMÆRKNING: Isæt stifter i den rigtige retning. Isætning i den forkerte retning kan forårsage for tidlig slitage af dreveheden og beskadigelse af de andre dele.

BEMÆRKNING: Undlad at bruge deformerede stiftbånd. Brug stifter, der er angivet i denne brugsanvisning. Brug af andre stifter end de angivne kan forårsage fastklemning af stifter og brud på maskinen.

BEMÆRKNING: Undgå isætning af stiftbånd med færre stifter, især når du bruger stifter i korte længder. Det kan forårsage fastklemning og beskadigelse af maskinen.

BEMÆRKNING: Undlad at isætte stiftbånd af forskellige længder eller flere stiftbånd med færre stifter på én gang. Ellers kan det forårsage fastklemning og beskadigelse af maskinen.

3. Sæt skydelemmen tilbage til den oprindelige position, og lås den på plads med låsehåndtaget.

BEMÆRKNING: Luk skydelemmen forsigtigt. Hvis der anvendes overdreven kraft, kan det medføre deformation af stifterne, og skydelemmen vender muligvis ikke tilbage til den oprindelige position.

Tryk på låsehåndtaget, og skub og åbn skydelemmen for at fjerne stifterne. Tag stifterne ud af magasinet.

Spidsadapter

⚠FORSIGTIG: Sørg altid for, at du ikke har fingrene på afbryderknappen eller kontaktele mentet, og at akkuen er taget ud, før du monterer spidsadapteren.

Brug spidsadapteren, når du affyrer stifter på materialet med skrøbelige overflader.

Placer spidsadapteren over drevguidens kontakttop, så styrefremspringene inde i spidsadapteren passer godt ind i styrhakkene i drevguiden.

Du kan opbevare spidsadapteren i holderen bag på magasinet for at forhindre, at den bliver væk.

- ▶ **Fig.11:** 1. Spidsadapter 2. Drevguide 3. Styrfremspring 4. Styrhaker 5. Holder

Spidsadapter til idrivning på flade overflader

Ekstraudstyr

Brug den valgfrie spidsadapter, der er designet til fastgørelse på flade og lige overflader. Den beskytter arbejdsemnets bløde overflader mod mærker og ridser, der skal laves af runde spidse kontakttoppe.

- ▶ **Fig.12**

Placer den valgfrie spidsadapter over drevguidens kontakttop, så styrefremspringene inde i spidsadapteren passer godt ind i styrhakkene i drevguiden.

- ▶ **Fig.13:** 1. Valgfri spidsadapter 2. Drevguide 3. Styrfremspring 4. Styrhaker

Krog

⚠️FORSIGTIG: Når krogen monteres, skal den altid fastgøres forsvarligt med skruen. Hvis det ikke er tilfældet kan krogen falde af maskinen og forårsage personskade.

⚠️FORSIGTIG: Brug kun ophængnings-/monteringsdele til deres tilsigtede formål. Brug til tilsigtede formål kan medføre en ulykke eller alvorlig personskade.

⚠️FORSIGTIG: Undlad at hænge krognen fra bæltet. Hvis du taber stiftepistolen, fordi krognen kommer ud af position ved et uheld, kan det medføre utilsigtet affyring og resultere i personskade.

► Fig.14

Krognen er praktisk til midlertidig ophængning af maskinen. Den kan monteres i begge sider af maskinen. Krognen monteres ved at indsætte den i en rille i maskinhuset på en af siderne og derefter fastgøre den med en skrue. Den fjernes ved at løsne skruen og tage den ud.

► Fig.15: 1. Rille 2. Krog 3. Skrue

Opbevaring af unbrakonøgle

Når unbrakonøglen ikke bruges, skal du opbevare den som vist i figuren for at forhindre, at den bliver væk.

► Fig.16: 1. Unbrakonøgle

ANVENDELSE

Test af sikkerhedssystemet

⚠️ADVARSEL: Sørg for, at alle sikkerhedssystemer er i korrekt funktionsstand inden anvendelsen. Hvis du ikke gør dette, kan det medføre personskade.

► Fig.17: 1. Afbryderlås 2. Afbryderknap 3. Kontaktelement 4. Magasin

Test sikkerhedssystemer som følger for eventuelle fejl før brugen.

1. Fjern stifterne fra maskinen, og lad magasinet være åbent.
2. Indsæt akkuen, og frigør afbryderlåsen.
3. Tryk på afbryderknappen uden at berøre kontaktelementet mod materialet.
4. Tryk kontaktelementet mod materialet uden at trykke på afbryderknappen.

Hvis maskinen fungerer i tilfælde 3 eller 4 ovenfor, er der fejl i sikkerhedssystemerne. Hold øjeblikkeligt op med at bruge maskinen, og henvend dig til det lokale servicecenter.

Idrivning af stifter

⚠️ADVARSEL: Undlad at bruge denne stiftepistol til fastgørelse af elektriske kabler. Den er ikke beregnet til elektrisk kabelinstallation og kan beskadige isoleringen på de elektriske kabler og derved forårsage elektrisk stød eller brandfare.

⚠️ADVARSEL: Fortsæt med at sætte kontaktelementet fast mod materialet, indtil stiften er drevet helt ind. Utilsigtet affyring kan forårsage personskade.

⚠️FORSIGTIG: Hold godt fast i maskinen under betjening.

⚠️FORSIGTIG: Undlad at bruge maskinen ud over den tilladte kontinuerlige driftstid. Ellers kan det forårsage skader på maskinen med personskade til følge.

BEMÆRKNING: Maskinen genstarter ikke fastgøring efter fem sekunder uden afbryderfunktion, mens kontaktelementet er placeret på arbejdsemnet. Træk kontaktelementet fri fra arbejdsemnet, og flyt det på plads for at genstarte fastgørelsen.

1. Slip afbryderlåsen.
 2. Placer kontaktelementet fladt mod materialet.
 3. Tryk afbryderknappen helt ind for at idrive en stift.
 4. For at idrive det næste søm skal du fjerne fingeren fra afbryderknappen én gang og derefter gentage trin 2 og 3 ovenfor.
- Fig.18: 1. Afbryderknop 2. Kontaktelement

Du kan også idrive stifter, mens du trækker maskinen til det næste område, ved at presse kontaktelementet mod materialet og trykke på afbryderknappen.

► Fig.19

Hvis hovedet på stiften forbliver over overfladen af arbejdsemnet, skal du indføre stiften, idet stiftepistolens hoved holdes fast mod arbejdsemnet.

► Fig.20

BEMÆRK: Hvis stiftepistolens hoved stadig forbliver over arbejdsemnet, selvom du holder stiftepistolens hoved, er materialet muligvis ikke egnet til stiften. Hvis du fortsætter med at bruge stiftepistolen på et sådant materiale, kan det medføre beskadigelse af stiftepistolens drevenhed og/eller fastklemning i stiftepistolen.

Mekanisme til forhindring af affyring, når maskinen er tom

⚠ ADVARSEL: Sørg altid for, at fingrene ikke er placeret på afbryderknappen eller kontaktele mentet, og at akkuen er afmonteret, før stifterne sættes i.

Når antallet af resterende stifter i magasinet er mellem 0-3 stykker, kan afbryderknappen ikke længere trykkes ned. På dette tidspunkt kan du indsætte et nyt bånd med stifter i magasinet, og afbryderknappen kan trykkes ned igen.

BEMÆRK: Når der affyres stifter af en anden længde kort efter, at mekanismen til forhindring af affyring, når maskinen er tom, har fungeret, skal du isætte et nyt stiftbånd i magasinet og affyre alle de tidligere stifter, der er tilbage, i affaldsmateriale.

Kontrol af resterende stifter

Du kan kontrollere mængden af resterende stifter gennem kontrolvinduet.

Den røde indikator bevæger sig mod affyriingsåbningen, da mængden af resterende stifter bliver mindre.

► **Fig.21:** 1. Kontrolvindue 2. Indikator

Fjernelse af fastklemede stifter

⚠ ADVARSEL: Sørg altid for, at afbryderen er udløst, og at akkuen og stifterne er fjernet, før du fjerner de fastklemede stifter.

⚠ FORSIGTIG: Undlad at fjerne de fastklemede stifter med bare hænder. Stifterne kan hoppe ud af magasinet og forårsage personskade.

1. Fjern alle de stifter, der er tilbage i magasinet.
2. Skru de tre sekskantboltene på drevguidens dæksel af ved hjælp af unbrakonøglen.
3. Afmonter de fastklemede stifter fra stiftstyrrillerne i drevguiden.

► **Fig.22:** 1. Sekskantbolt 2. Drevguidens dæksel 3. Kontaktoppens dæksel 4. Drevguide

BEMÆRK: Hvis du har svært ved at fjerne de fastklemede stifter, skal du løsne de to sekskantbolte på kontaktoppens dæksel ved hjælp af unbrakonøglen og derefter tage de fastklemede stifter ud af drevguiden.

4. Sæt dækslerne på plads igen, og fastgør dem over drevguiden med sekskantboltene.

BEMÆRKNING: Når du har fjernet fastklemninger, skal du altid sørge for, at dækslerne på drevguiden er blevet samlet korrekt igen. Hvis drevguiden fungerer forkert, skal du samle dem igen med sekskantboltene.

VEDLIGEHOLDELSE

⚠ FORSIGTIG: Vær altid sikker på, at værktøjet er slukket, og at akkuen er taget ud, inden De begynder at udføre inspektion eller vedligeholdelse.

BEMÆRKNING: Anvend aldrig benzin, rensebenzin, fortynder, alkohol og lignende. Det kan medføre misfarvning, deformation eller revner.

For at opretholde produktets SIKKERHED og PÅLIDELIGHED må reparation, vedligeholdelse eller justering kun udføres af et autoriseret Makita servicecenter eller fabrikksservicecenter med anvendelse af Makita reservedele.

Rengøring af magasinet

Rengør magasinets inderside med jævne mellemrum. Blæs eller aftør snavs, støv, træflis og sømlim, der er akkumuleret i styrrillerne.

► **Fig.23:** 1. Styrriller

BEMÆRKNING: Snavs og støv i styrrillerne kan påvirke stiftfremføringen af stifter, hvilket kan medføre lejlighedsvis tør affyring.

EKSTRAUDSTYR

⚠ FORSIGTIG: Det følgende tilbehør og ekstraudstyr er anbefalet til brug med Deres Makita maskine, der er beskrevet i denne brugsanvisning. Anvendelse af andet tilbehør eller ekstraudstyr kan udgøre en risiko for personskade. Anvend kun tilbehør og ekstraudstyr til det beskrevne formål.

Hvis De behøver hjælp ved valg af tilbehør eller ønsker yderligere informationer, bedes De kontakte Deres lokale Makita servicecenter.

- Stifter
- Spidsadapter (til fastgørelse på flade overflader)
- Original Makita-akku og oplader

BEMÆRK: Nogle ting på denne liste kan være inkluderet i værktøjsspakken som standardtilbehør. Det kan være forskellige fra land til land.

ΠΡΟΔΙΑΓΡΑΦΕΣ

Μοντέλο:	PT001G
Μέγεθος βελονιών	ø0,6 mm x 15, 18, 25, 30, 35 mm
Χωρητικότητα γεμιστήρα βελονιών	100 τεμάχια
Διαστάσεις με BL4025, χωρίς γάντζο (Μ x Π x Υ)	265 mm x 86 mm x 226 mm
Ονομαστική τάση	D.C. 36 V - 40 V max
Καθαρό βάρος	2,4 - 3,0 kg

- Λόγω του συνεχιζόμενου προγράμματος έρευνας και ανάπτυξης, οι προδιαγραφές αυτές υπόκεινται σε αλλαγές χωρίς προειδοποίηση.
- Οι προδιαγραφές και η κασέτα μπαταριών μπορεί να διαφέρουν ανάλογα με τη χώρα.
- Το βάρος μπορεί να διαφέρει ανάλογα με τα προσαρτήματα, συμπεριλαμβάνοντας την κασέτα μπαταριών. Ο ελαφρύτερος και ο βαρύτερος συνδυασμός, σύμφωνα με τη διαδικασία ΕΡΤΑ 01/2014, παρουσιάζονται στον πίνακα.

Ισχύουσα κασέτα μπαταριών και φορτιστής

Κασέτα μπαταρίας	BL4020* / BL4025* / BL4040 / BL4050F * : Συνιστώμενη μπαταρία
Φορτιστής	DC40RA / DC40RB / DC40RC

- Ορισμένες από τις κασέτες και τους φορτιστές μπαταριών που αναγράφονται παραπάνω ίσως να μην είναι διαθέσιμοι, ανάλογα με την τοποθεσία κατοικίας σας.

⚠ ΠΡΟΕΙΔΟΠΟΙΗΣΗ: Να χρησιμοποιείτε μόνο τις κασέτες μπαταριών και τους φορτιστές που παρατίθενται ανωτέρω. Η χρήση οποιασδήποτε άλλης κασέτας μπαταριών ή φορτιστή μπορεί να προκαλέσει τραυματισμό ή/και πυρκαγιά.

Προοριζόμενη χρήση

Το εργαλείο προορίζεται για την τοποθέτηση βελονιών σε οικοδομικά υλικά όπως ξύλο.

Θόρυβος

Το τυπικό Α επίπεδο καταμετρημένου θορύβου καθορίζεται σύμφωνα με το EN60745-2-16:
Στάθμη ηχητικής πίεσης (L_{pA}): 79 dB (A)
Αβεβαιότητα (K): 3 dB (A)

Η ένταση θορύβου υπό συνθήκες εργασίας μπορεί να υπερβεί τα 80 dB (A).

ΠΑΡΑΤΗΡΗΣΗ: Η δηλωμένη τιμή(ές) εκπομπής θορύβου έχει μετρηθεί σύμφωνα με την πρότυπη μέθοδο δοκιμής και μπορεί να χρησιμοποιηθεί για τη σύγκριση ενός εργαλείου με κάποιο άλλο.

ΠΑΡΑΤΗΡΗΣΗ: Η δηλωμένη τιμή(ές) εκπομπής θορύβου μπορεί να χρησιμοποιηθεί και στην προκαταρκτική αξιολόγηση της έκθεσης.

⚠ ΠΡΟΕΙΔΟΠΟΙΗΣΗ: Να φοράτε ωτοασπίδες.

⚠ ΠΡΟΕΙΔΟΠΟΙΗΣΗ: Η εκπομπή θορύβου κατά τη χρήση του ηλεκτρικού εργαλείου σε πραγματικές συνθήκες μπορεί να διαφέρει από τη δηλωμένη τιμή(ές) ανάλογα με τους τρόπους χρήσης του εργαλείου, ιδιαίτερα το είδος του τεμαχίου εργασίας που υπόκειται επεξεργασία.

⚠ ΠΡΟΕΙΔΟΠΟΙΗΣΗ: Φροντίστε να λάβετε τα κατάλληλα μέτρα προστασίας του χειριστή βάσει ενός υπολογισμού της έκθεσης σε πραγματικές συνθήκες χρήσης (λαμβάνοντας υπόψη όλες τις συνιστώσες του κύκλου λειτουργίας όπως τους χρόνους που το εργαλείο είναι εκτός λειτουργίας και όταν βρίσκεται σε αδρανή λειτουργία πέραν του χρόνου ενεργοποίησης).

Κραδασμός

Η ολική τιμή δόνησης καθορίζεται σύμφωνα με το EN60745-2-16:

Εκπομπή δόνησης (a_h): 2,5 m/s² ή λιγότερο
Αβεβαιότητα (K): 1,5 m/s²

ΠΑΡΑΤΗΡΗΣΗ: Η δηλωμένη τιμή(ές) συνολικών κραδασμών έχει μετρηθεί σύμφωνα με την πρότυπη μέθοδο δοκιμής και μπορεί να χρησιμοποιηθεί για τη σύγκριση ενός εργαλείου με κάποιο άλλο.

ΠΑΡΑΤΗΡΗΣΗ: Η δηλωμένη τιμή(ές) συνολικών κραδασμών μπορεί να χρησιμοποιηθεί και στην προκαταρκτική αξιολόγηση της έκθεσης.

⚠️ ΠΡΟΕΙΔΟΠΟΙΗΣΗ: Η εκπομπή κραδασμών κατά τη χρήση του ηλεκτρικού εργαλείου σε πραγματικές συνθήκες μπορεί να διαφέρει από τη δηλωμένη τιμή(ές) εκπομπής ανάλογα με τους τρόπους χρήσης του εργαλείου, ιδιαίτερα ο είδος του τεμαχίου εργασίας που υπόκειται επεξεργασία.

⚠️ ΠΡΟΕΙΔΟΠΟΙΗΣΗ: Φροντίστε να λάβετε τα κατάλληλα μέτρα προστασίας του χειριστή βάσει ενός υπολογισμού της έκθεσης σε πραγματικές συνθήκες χρήσης (Λαμβάνοντας υπόψη όλες τις συνιστώσες του κύκλου λειτουργίας όπως τους χρόνους που το εργαλείο είναι εκτός λειτουργίας και όταν βρίσκεται σε αδρανή λειτουργία πέραν του χρόνου ενεργοποίησης).

Δήλωση συμμόρφωσης ΕΚ

Μόνο για χώρες της Ευρώπης

Η δήλωση συμμόρφωσης ΕΚ περιλαμβάνεται ως Παράρτημα Α στο παρόν εγχειρίδιο οδηγιών.

ΠΡΟΕΙΔΟΠΟΙΗΣΕΙΣ ΑΣΦΑΛΕΙΑΣ

Γενικές προειδοποιήσεις ασφαλείας για το ηλεκτρικό εργαλείο

⚠️ ΠΡΟΕΙΔΟΠΟΙΗΣΗ: Διαβάστε όλες τις προειδοποιήσεις ασφαλείας, οδηγίες, εικονογραφίες και προδιαγραφές που παρέχονται με αυτό το ηλεκτρικό εργαλείο. Η μη τήρηση όλων των οδηγιών που αναγράφονται κατωτέρω μπορεί να καταλήξει σε ηλεκτροπληξία, πυρκαγιά ή/και σοβαρό τραυματισμό.

Φυλάξτε όλες τις προειδοποιήσεις και τις οδηγίες για μελλοντική παραπομπή.

Στις προειδοποιήσεις, ο όρος «ηλεκτρικό εργαλείο» αναφέρεται σε ηλεκτρικό εργαλείο που τροφοδοτείται από την κύρια παροχή ηλεκτρικού ρεύματος (με ηλεκτρικό καλώδιο) ή σε ηλεκτρικό εργαλείο που τροφοδοτείται από μπαταρία (χωρίς ηλεκτρικό καλώδιο).

Προειδοποιήσεις ασφαλείας για το φορητό καρφωτικό

1. **Να υποθέτετε πάντα ότι το εργαλείο περιέχει συνδετήρες.** Ο απρόσεκτος χειρισμός του καρφωτικού μπορεί να καταλήξει σε μη αναμενόμενη πυροδότηση συνδετήρων και τραυματισμό.
2. **Μην στρέψετε το εργαλείο προς το μέρος σας ή προς οποιοδήποτε άλλο άτομο εκεί κοντά.** Η μη αναμενόμενη πυροδότηση προκαλεί εκτίναξη του συνδετήρα προκαλώντας τραυματισμό.
3. **Μην ενεργοποιείτε το εργαλείο εκτός εάν έχετε τοποθετήσει το εργαλείο σταθερά σε επαφή με το τεμάχιο εργασίας.** Εάν το εργαλείο δεν έχει τοποθετηθεί σταθερά σε επαφή με το τεμάχιο εργασίας, ο συνδετήρας μπορεί να εκτραπεί από το στόχο του.

4. **Αποσυνδέστε το εργαλείο από την πηγή τροφοδοσίας όταν παρουσιάσει εμπλοκή του συνδετήρα μέσα στο εργαλείο.** Όταν επιχειρείτε να αφαιρέσετε έναν μπλοκαρισμένο συνδετήρα, το καρφωτικό μπορεί να ενεργοποιηθεί τυχαία αν είναι συνδεδεμένο.
5. **Να είστε προσεκτικοί κατά την αφαίρεση ενός μπλοκαρισμένου συνδετήρα.** Ο μηχανισμός μπορεί να βρίσκεται υπό συμπίεση και ο συνδετήρας να εκτιναχθεί βίαια όταν επιχειρήσετε να ελευθερώσετε ένα μπλοκαρισμένο εργαλείο.
6. **Μην χρησιμοποιείτε αυτό το καρφωτικό για τη στερέωση ηλεκτρικών καλωδίων.** Δεν είναι σχεδιασμένο για την τοποθέτηση ηλεκτρικών καλωδίων και μπορεί να προκαλέσει βλάβη στη μόνωση των ηλεκτρικών καλωδίων με αποτέλεσμα να προκληθεί ηλεκτροπληξία ή κίνδυνος πυρκαγιάς.
7. **Να κρατάτε τα χέρια και τα πόδια σας μακριά από την περιοχή της θύρας εκτίναξης.**
8. **Να ακολουθείτε τις οδηγίες για τη λίπανση και την αλλαγή των εξαρτημάτων.**
9. **Να βγάζετε πάντα την κασέτα μπαταριών πριν την τοποθέτηση συνδετήρων, τη ρύθμιση, τον έλεγχο, τη συντήρηση ή μετά το τέλος της λειτουργίας.**
10. **Σιγουρευτείτε ότι δεν βρίσκεται κανείς κοντά σας πριν από τη λειτουργία.** Μην προσπαθήσετε ποτέ να καρφώσετε συνδετήρες ταυτόχρονα από την εσωτερική και την εξωτερική πλευρά του τοίχου. Οι συνδετήρες μπορεί να διαπεράσουν τον τοίχο ή/και να πεταχτούν βίαια, προκαλώντας πολύ σοβαρό κίνδυνο.
11. **Προσέχετε το στήριγμα των ποδιών σας και διατηρείτε την ισορροπία σας με το εργαλείο.** Βεβαιωθείτε ότι δεν υπάρχει κανείς από κάτω όταν εργάζεστε σε υψηλές τοποθεσίες.
12. **Ποτέ μη χρησιμοποιήσετε καρφωτικά πιστόλια που φέρουν την ένδειξη «Μη χρησιμοποιείτε σε σκαλωσιές, σκάλες, κτλ.» για ειδικές εφαρμογές όπως για παράδειγμα:**
 - όταν κατά την αλλαγή από μια τοποθεσία καρφώματος σε μια άλλη χρησιμοποιούνται σκαλωσιές, σκαλοπάτια, σκάλες ή άλλες παρόμοιες κατασκευές, π.χ. σανίδες σκεπών,
 - κατά το κλείσιμο κιβωτίων ή τελαρών,
 - κατά την εφαρμογή συστημάτων ασφαλείας μεταφορών π.χ. σε οχήματα και βαγόνια.
13. **Να ελέγχετε προσεκτικά τους τοίχους, τις οροφές, τα πατώματα, τις στέγες και παρόμοια για να αποφύγετε πιθανή ηλεκτροπληξία, διαρροή αερίου, εκρήξεις, κτλ. που προκαλούνται από την τοποθέτηση συρραπτικών σε ηλεκτροφόρα καλώδια, αγωγούς ή σωληνες αερίων.**
14. **Να χρησιμοποιείτε μόνο συνδετήρες που υποδεικνύονται σε αυτό το εγχειρίδιο.** Εάν χρησιμοποιήσετε άλλους συνδετήρες, μπορεί να προκληθεί δυσλειτουργία του εργαλείου.
15. **Μην παραβιάζετε το εργαλείο με την προσπάθειά να το χρησιμοποιείτε για άλλο σκοπό εκτός από το κάρφωμα συνδετήρων.**
16. **Μη θέτετε το εργαλείο σε λειτουργία χωρίς συνδετήρες.** Συντομεύει τη διάρκεια ζωής του εργαλείου.
17. **Να σταματάτε αμέσως τις εργασίες καρφώματος εάν παρατηρήσετε ότι κάτι δεν πάει καλά ή είναι ασυνήθιστο για το εργαλείο.**

18. Μην συρράφετε ποτέ πάνω σε υλικά που μπορεί να επιτρέψουν στο συνδετήρα να τα διατρυπήσει και να εκτοξευτεί μέσα από αυτά.
19. Μην ενεργοποιείτε ποτέ τη σκανδάλη διακόπτη και το στοιχείο επαφής ταυτόχρονα προτού είστε έτοιμοι για τη συρραφή τεμαχίων εργασίας. Αφήστε το τεμάχιο εργασίας να ελευθερωθεί το στοιχείο επαφής. Μην ακυρώσετε ποτέ τη λειτουργία του με το να ασφαλίσετε το στοιχείο επαφής πίσω ή με το να τον πατάτε με το χέρι.
20. Μην παραβιάζετε ποτέ το στοιχείο επαφής. Να ελέγχετε συχνά το στοιχείο επαφής για σωστή λειτουργία.
21. Να αφαιρείτε πάντα τους συνδετήρες από το εργαλείο όταν δεν το χρησιμοποιείτε.
7. Μην καίτε την κασέτα μπαταριών ακόμη και εάν έχει σοβαρή ζημιά ή είναι εντελώς φθαρμένη. Η κασέτα μπαταριών μπορεί να εκραγεί στη φωτιά.
8. Μην καρφώσετε, κόψετε, συνθλίψετε, πετάξετε ή ρίξετε κάτω την κασέτα μπαταριών, ούτε να χτυπήσετε ένα σκληρό αντικείμενο επάνω στην κασέτα μπαταριών. Τέτοια συμπεριφορά μπορεί να έχει ως αποτέλεσμα πυρκαγιά, υπερθέρμανση ή έκρηξη.
9. Μη χρησιμοποιείτε μπαταρία που έχει υποστεί ζημία.
10. Οι μπαταρίες ιόντων λιθίου που περιέχονται υπόκεινται στις απαιτήσεις της νομοθεσίας για επικίνδυνα αγαθά.

Για εμπορικές μεταφορές, για παράδειγμα από τρίτα μέρη, πρέπει να τηρούνται οι διαμεταφορές, οι ειδικές απαιτήσεις στη συσκευασία και η επισήμανση. Για προετοιμασία του στοιχείου που αποστέλλεται, είναι απαραίτητο να συμβουλευτείτε έναν ειδικό για επικίνδυνα υλικά. Επίσης, τηρήστε τους πθαινούς, πιο αναλυτικούς εθνικούς κανονισμούς. Καλύψτε με αυτοκόλλητη ταινία ή κρύψτε τις ανοικτές επαφές και συσκευάστε την μπαταρία με τρόπο που να μην μπορεί να μετακινείται μέσα στη συσκευασία.

ΦΥΛΑΞΤΕ ΤΙΣ ΟΔΗΓΙΕΣ ΑΥΤΕΣ.

▲ΠΡΟΕΙΔΟΠΟΙΗΣΗ: ΜΗΝ επιτρέψετε το βαθμό άνεσης ή εξοικείωσης με το προϊόν (λόγω επανειλημμένης χρήσης) να αντικαταστήσει την αυστηρή τήρηση των κανόνων ασφαλείας του παρόντος εργαλείου. Η ΛΑΝΘΑΣΜΕΝΗ ΧΡΗΣΗ ή η αμέλεια να ακολουθήσετε τους κανόνες ασφαλείας που διατυπώνονται στο παρόν εγχειρίδιο οδηγίων μπορεί να προκαλέσει σοβαρό προσωπικό τραυματισμό.

Σημαντικές οδηγίες ασφάλειας για κασέτα μπαταριών

1. Πριν χρησιμοποιήσετε την κασέτα μπαταριών, διαβάστε όλες τις οδηγίες και σημειώσεις προφύλαξης (1) στον φορτιστή μπαταριών, (2) στην μπαταρία και (3) στο προϊόν που χρησιμοποιεί την μπαταρία.
2. Μην αποσυναρμολογήσετε ή παραβιάσετε την κασέτα μπαταριών. Μπορεί να έχει ως αποτέλεσμα πυρκαγιά, υπερθέρμανση ή έκρηξη.
3. Εάν ο χρόνος λειτουργίας έχει γίνει υπερβολικά βραχύς, σταματήστε τη λειτουργία αμέσως. Αλλιώς, μπορεί να έχει ως αποτέλεσμα κίνδυνο υπερθέρμανσης, πιθανά εγκαύματα ή ακόμη και έκρηξη.
4. Εάν ηλεκτρολύτης μπει στα μάτια σας, ξεπλύνετε τα με καθαρό νερό και ζητήστε ιατρική φροντίδα αμέσως. Αλλιώς, μπορεί να έχει ως αποτέλεσμα απώλεια της όρασης σας.
5. Μη βραχυκυκλώνετε την κασέτα μπαταριών:
 - (1) Μην αγγίζετε τους πόλους με οτιδήποτε αγώγιμο υλικό.
 - (2) Αποφεύγετε να αποθηκεύετε την κασέτα μπαταριών μέσα σε ένα δοχείο μαζί με άλλα μεταλλικά αντικείμενα όπως καρφιά, νομίσματα, κλπ.
 - (3) Μην εκθέτετε την κασέτα μπαταριών στο νερό ή στη βροχή.
6. Ένα βραχυκύκλωμα μπαταρίας μπορεί να προκαλέσει μεγάλη ροή θερμότητας, υπερθέρμανση, πιθανά εγκαύματα ακόμη και σοβαρή βλάβη.
7. Μην αφήνετε την κασέτα μπαταριών να κοληθεί στους ακροδέκτες, τις οπές και τις εγκοπές της κασέτας μπαταριών. Μπορεί να προκαλέσει θέρμανση, φωτιά, έκρηξη και δυσλειτουργία του εργαλείου ή της κασέτας μπαταριών, έχοντας ως αποτέλεσμα εγκαύματα ή προσωπικό τραυματισμό.
8. Εκτός αν το εργαλείο υποστηρίζει τη χρήση κοντά σε ηλεκτρικές γραμμές υψηλής τάσης, μην χρησιμοποιείτε την κασέτα μπαταριών κοντά σε ηλεκτρικές γραμμές υψηλής τάσης. Μπορεί να έχει ως αποτέλεσμα δυσλειτουργία ή στάσιμο του εργαλείου ή της κασέτας μπαταριών.
9. ΚρΦυλάξτε την μπαταρία μακριά από παιδιά.

ΦΥΛΑΞΤΕ ΤΙΣ ΟΔΗΓΙΕΣ ΑΥΤΕΣ.

▲ΠΡΟΣΟΧΗ: Να χρησιμοποιείτε μόνο γνήσιες μπαταρίες της Makita. Η χρήση μη γνήσιων μπαταριών Makita, ή μπαταριών που έχουν τροποποιηθεί, μπορεί να έχει ως αποτέλεσμα τη ρήξη της μπαταρίας, προκαλώντας πυρκαγιά, προσωπικό τραυματισμό και βλάβη. Επίσης, θα ακρωρωθεί η εγγύηση της Makita για το εργαλείο και φορτιστή Makita.

Συμβουλές για τη διατήρηση της μέγιστης ζωής μπαταρίας

1. Φορτίζετε την κασέτα μπαταριών πριν από την πλήρη αποφόρτιση της. Πάντοτε να σταματάτε τη λειτουργία του εργαλείου και να φορτίζετε την κασέτα μπαταριών όταν παρατηρείτε μειωμένη ισχύ εργαλείου.
2. Ποτέ μην επαναφορτίζετε μια πλήρως φορτισμένη κασέτα μπαταριών. Η υπερφόρτιση μειώνει την ωφέλιμη ζωή της μπαταρίας.
3. Να φορτίζετε την κασέτα μπαταριών σε θερμοκρασία δωματίου, δηλαδή στους 10 °C έως 40 °C. Αφήστε μια θερμή κασέτα μπαταριών να κρυώσει πριν την φορτίσετε.
4. Όταν δεν χρησιμοποιείτε την κασέτα μπαταριών, αφαιρέστε την από το εργαλείο ή τον φορτιστή.
5. Να φορτίζετε την κασέτα μπαταριών εάν δεν τη χρησιμοποιείτε για μεγάλη χρονική περίοδο (περισσότερο από έξι μήνες).

ΠΕΡΙΓΡΑΦΗ ΛΕΙΤΟΥΡΓΙΑΣ

▲ΠΡΟΣΟΧΗ: Να φροντίζετε πάντα για την απενεργοποίηση του εργαλείου και την αφαίρεση της κασέτας μπαταρίας, πριν από οποιαδήποτε ρύθμιση ή έλεγχο της λειτουργίας του.

Τοποθέτηση ή αφαίρεση της κασέτας μπαταριών

▲ΠΡΟΣΟΧΗ: Να σβήνετε πάντα το εργαλείο πριν τοποθετήσετε ή αφαιρέσετε την κασέτα μπαταριών.

▲ΠΡΟΣΟΧΗ: Κρατήστε το εργαλείο και την κασέτα μπαταριών σταθερά κατά την τοποθέτηση ή αφαίρεση της κασέτας μπαταριών. Εάν δεν κρατάτε το εργαλείο και την κασέτα μπαταριών σταθερά μπορεί να γλιστρήσουν από τα χέρια σας και να προκαλέσει βλάβη στο εργαλείο και την κασέτα μπαταριών και προσωπικός τραυματισμός.

► **Εικ. 1:** 1. Κόκκινος δείκτης 2. Κουμπί 3. Κασέτα μπαταριών

Για να αφαιρέσετε την κασέτα μπαταριών, ολισθήστε την από το εργαλείο ενώ σύρετε το κουμπί στο μπροστινό μέρος της κασέτας.

Για να τοποθετήσετε την κασέτα μπαταριών, ευθυγραμμίστε τη γλώσσα στην κασέτα μπαταριών με την εγκοπή στο περίβλημα και ολισθήστε τη στη θέση της. Τοποθετήστε την μέχρι τέρμα μέχρι να ασφαλίσει στη θέση της, γεγονός που υποδεικνύεται με ένα χαρακτηριστικό ήχο. Αν μπορείτε να δείτε τον κόκκινο δείκτη όπως απεικονίζεται στην εικόνα, δεν έχει κλειδώσει τελείως.

▲ΠΡΟΣΟΧΗ: Να τοποθετείτε πάντα την κασέτα μπαταριών πλήρως μέχρι να μη βλέπετε τον κόκκινο δείκτη. Εάν δεν ασφαλίσει, μπορεί να πέσει από το εργαλείο τυχαία, προκαλώντας σωματική βλάβη σε εσάς ή κάποιον άλλο γύρω σας.

▲ΠΡΟΣΟΧΗ: Μην τοποθετείτε την κασέτα μπαταριών με βία. Εάν η κασέτα δεν ολισθαίνει με ευκολία, τότε δεν έχει τοποθετηθεί κατάλληλα.

Σύστημα προστασίας εργαλείου/ μπαταρίας

Το εργαλείο είναι εξοπλισμένο με σύστημα προστασίας εργαλείου/μπαταρίας. Αυτό το σύστημα αποκόπτει αυτόματα την ισχύ προς το μοτέρ να παραταθεί η διάρκεια λειτουργίας του εργαλείου και της μπαταρίας. Το εργαλείο σταματάει αυτόματα κατά τη διάρκεια της λειτουργίας εάν το εργαλείο ή η μπαταρία βρεθούν κάτω από τις παρακάτω συνθήκες:

Προστασία υπερφόρτωσης

Όταν το εργαλείο/μπαταρία λειτουργεί με τρόπο που προκαλεί την κατανάλωση ενός ασυνήθιστα υψηλού ηλεκτρικού ρεύματος, το εργαλείο σταματάει αυτόματα. Σε αυτή την κατάσταση, σβήστε το εργαλείο και διακόψτε την εφαρμογή που προκαλεί την υπερφόρτωση του εργαλείου. Μετά, ενεργοποιήστε το εργαλείο για επανεκκίνηση.

Προστασία υπερθέρμανσης

Όταν το εργαλείο/μπαταρία υπερθερμαίνεται, το εργαλείο σταματάει αυτόματα. Σε αυτή την κατάσταση, αφήστε τη θερμοκρασία του εργαλείου/μπαταρίας να μειωθεί πριν ενεργοποιήσετε ξανά το εργαλείο.

Προστασία υπερβολικής αποφόρτισης

Όταν η φόρτιση μπαταρίας δεν είναι αρκετή, το εργαλείο σταματάει αυτόματα. Σε αυτή την περίπτωση, βγάλτε την μπαταρία από το εργαλείο και φορτίστε την μπαταρία.

Προστασία και από άλλες αιτίες

Το σύστημα προστασίας έχει επίσης σχεδιαστεί για άλλες αιτίες που μπορούν να προκαλέσουν ζημιά στο εργαλείο και επιτρέπει την αυτόματη διακοπή του εργαλείου. Λάβετε όλα τα ακόλουθα βήματα για να διορθώσετε τις αιτίες, όταν το εργαλείο τεθεί σε προσωρινή διακοπή ή διακοπή κατά τη διάρκεια της λειτουργίας.

1. Απενεργοποιήστε το εργαλείο και, στη συνέχεια, ενεργοποιήστε το ξανά για να επανεκκίνηση.
2. Φορτίστε την μπαταρία ή τις μπαταρίες ή αντικαταστήστε τις με επαναφορτιζόμενες μπαταρίες.
3. Αφήστε το εργαλείο και τις μπαταρίες να ψυχθούν.

Εάν δεν υπάρχει βελτίωση με την επαναφορά του συστήματος προστασίας, επικοινωνήστε με το τοπικό σας κέντρο εξυπηρέτησης της Makita.

Εμφάνιση υπολειπόμενης χωρητικότητας μπαταρίας

Πίστετε το κουμπί ελέγχου στην κασέτα μπαταριών για να υποδείξετε την υπολειπόμενη χωρητικότητα μπαταρίας. Οι ενδεικτικές λυχνίες ανάβουν για λίγα δευτερόλεπτα.

► **Εικ.2:** 1. Ενδεικτικές λυχνίες 2. Κουμπί ελέγχου

Ενδεικτικές λυχνίες			Υπολειπόμενη χωρητικότητα
■ Αναμμένες	□ Σβηστές	▣ Αναβοσβήνουν	
■ ■ ■ ■			75% έως 100%
■ ■ ■ □			50% έως 75%
■ ■ □ □			25% έως 50%
■ □ □ □			0% έως 25%
▣ □ □ □			Φορτίστε την μπαταρία.
■ ■ □ □			Μπορεί να προέκυψε δυσλειτουργία στην μπαταρία.
□ □ ■ ■		↑ ↓	

ΠΑΡΑΤΗΡΗΣΗ: Ανάλογα με τις συνθήκες χρήσης και τη θερμοκρασία περιβάλλοντος, η ένδειξη μπορεί να διαφέρει λίγο από την πραγματική χωρητικότητα.

ΠΑΡΑΤΗΡΗΣΗ: Η πρώτη (τέρμα αριστερά) ενδεικτική λυχνία θα αναβοσβήνει όταν λειτουργεί το σύστημα προστασίας μπαταρίας.

Κουμπί κλειδώματος σκανδάλης

▲ ΠΡΟΣΟΧΗ: Πριν βάλετε την κασέτα μπαταρίας μέσα στο εργαλείο, να ελέγχετε πάντα να δείτε αν η σκανδάλη διακόπτης ενεργοποιείται κανονικά και επιστρέφει στη θέση «OFF» όταν ελευθερώνεται.

▲ ΠΡΟΣΟΧΗ: Όταν το εργαλείο δεν βρίσκεται σε λειτουργία, πατήστε το κουμπί κλειδώματος σκανδάλης από την πλευρά B για να κλειδώσετε τη σκανδάλη διακόπτη στην ανενεργή θέση.

► **Εικ.3:** 1. Κουμπί κλειδώματος σκανδάλης
2. Σκανδάλη διακόπτης

► **Εικ.4**

Για να μην τραβήξετε τη σκανδάλη διακόπτη κατά λάθος, παρέχεται ένα κουμπί κλειδώματος σκανδάλης. Για να τραβήξετε τη σκανδάλη διακόπτη, πατήστε το κουμπί κλειδώματος σκανδάλης από την πλευρά A. Μετά τη χρήση, να πατάτε πάντα προς τα μέσα το κουμπί κλειδώματος σκανδάλης από την πλευρά B.

Ρύθμιση του βάθους καρφώματος βελονιών

▲ ΠΡΟΕΙΔΟΠΟΙΗΣΗ: Να φροντίζετε πάντα τα δάκτυλά σας να είναι μακριά από τη σκανδάλη διακόπτη και το στοιχείο επαφής, καθώς και η κασέτα μπαταριών να έχει αφαιρεθεί πριν από τη ρύθμιση του βάθους καρφώματος.

Το βάθος του καρφώματος βελονιών μπορεί να ρυθμιστεί αν περιστρέψετε τον ρυθμιστή στο εργαλείο. Ένα βελόνι καρφώνεται πιο βαθιά καθώς περιστρέψετε τον ρυθμιστή προς την κατεύθυνση A που απεικονίζεται στην εικόνα και πιο ρηχά προς την κατεύθυνση B, εντός ενός εύρους μέχρι 1,5 mm.

► **Εικ.5:** 1. Ρυθμιστής

► **Εικ.6:** 1. Πολύ βαθύ 2. Σωστό βάθος 3. Πολύ ρηχό

Αναμμα της λάμπας

▲ ΠΡΟΣΟΧΗ: Μην κοιτάζετε κατευθείαν μέσα στο φως ή στην πηγή φωτός.

Τραβήξτε τη σκανδάλη διακόπτη ή ενεργοποιήστε το στοιχείο επαφής για να ανάψετε τη λάμπα. Η λάμπα παραμένει αναμμένη μέχρι 60 δευτερόλεπτα όσο τραβάτε τη σκανδάλη διακόπτη ή ενεργοποιείτε το στοιχείο επαφής. Η λάμπα σβήνει περίπου 10 δευτερόλεπτα αφού αφήσετε τη σκανδάλη διακόπτη και το στοιχείο επαφής.

► **Εικ.7:** 1. Λάμπα

ΕΙΔΟΠΟΙΗΣΗ: Χρησιμοποιήστε ένα στεγνό πανί για να σκουπίσετε τη σκόνη από το φακό της λάμπας. Προσέχετε να μη γρατζουνίσετε το φακό της λάμπας, επειδή μπορεί να μειωθεί η ένταση του φωτισμού.

ΕΙΔΟΠΟΙΗΣΗ: Το εργαλείο μπορεί να μην πυροδοτεί βελονίες όταν η μπαταρία έχει χαμηλό επίπεδο ενέργειας, ακόμη κι αν η λάμπα παραμένει αναμμένη. Σε αυτή την περίπτωση, φορτίστε την κασέτα μπαταριών.

ΕΙΔΟΠΟΙΗΣΗ: Όταν το εργαλείο έχει υπερθερμανθεί, η λάμπα αναβοσβήνει. Σε αυτή την περίπτωση, αφήστε τη σκανδάλη διακόπτη και το στοιχείο επαφής και, στη συνέχεια, αφήστε το εργαλείο/μπαταρία να κρυώσει πριν το θέσετε ξανά σε λειτουργία.

ΕΙΔΟΠΟΙΗΣΗ: Η λάμπα αρχίζει να αναβοσβήνει αν το καρφωτικό βελονιών ανιχνεύσει ένα σφάλμα κατά το κάρφωμα βελονιών. Σε αυτή την περίπτωση, πηγαίνετε το καρφωτικό βελονιών στο κέντρο σέρβις του εργοστασίου.

ΣΥΝΑΡΜΟΛΟΓΗΣΗ

▲ ΠΡΟΣΟΧΗ: Να φροντίζετε πάντα τα δάκτυλά σας να είναι μακριά από τη σκανδάλη διακόπτη και το στοιχείο επαφής, καθώς και η κασέτα μπαταριών να έχει αφαιρεθεί πριν τη διεξαγωγή οποιωνδήποτε εργασιών στο καρφωτικό βελονιών.

Φόρτωση και εκφόρτωση βελονιών

▲ ΠΡΟΣΟΧΗ: Να φροντίζετε πάντα τα δάκτυλά σας να είναι μακριά από τη σκανδάλη και η κασέτα μπαταριών να έχει αφαιρεθεί πριν από τη φόρτωση των βελονιών. Η αθλήτητη πυροδότηση μπορεί να προκαλέσει ατομικούς τραυματισμούς και ζημιά σε ιδιοκτησία.

▲ ΠΡΟΣΟΧΗ: Αποφεύγετε να χτυπάτε την κυλιόμενη θύρα του γεμιστήρα όταν την ανοίγετε και κλείνετε ενώ στον γεμιστήρα υπάρχουν βελόνια φορτωμένα. Αν κατά λάθος ρίξετε κάτω βελόνια όταν εργάζεστε από υψηλά σημεία, μπορεί να προκαλέσετε τραυματισμούς.

1. Πιέστε το μοχλό κλειδώματος και ανοίξετε την κυλιόμενη θύρα του γεμιστήρα.
▶ **Εικ.8:** 1. Μοχλός κλειδώματος 2. Κυλιόμενη θύρα 3. Γεμιστήρας
2. Τοποθετήστε μια ταινία βελονιών με τα στικτά τρίγωνα στραμμένα προς τα κάτω, ευθυγραμμίζοντας τις μύτες των βελονιών με τις εγκοπές οδήγησης στο κάτω μέρος του γεμιστήρα. Βεβαιωθείτε ότι οι μύτες των βελονιών αγγίζουν το κάτω μέρος του γεμιστήρα και μετά σύρετε απαλά την ταινία βελονιών προς τον οδηγό της μονάδας καρφώματος.
▶ **Εικ.9:** 1. Βελόνια 2. Στικτό τρίγωνο 3. Εγκοπές οδήγησης 4. Οδηγός της μονάδας καρφώματος
- ▶ **Εικ.10:** 1. Βελόνια 2. Κάτω μέρος του γεμιστήρα 3. Διάκενα

ΕΙΔΟΠΟΙΗΣΗ: Βεβαιωθείτε ότι οι μύτες των βελονιών τοποθετούνται σταθερά στο κάτω μέρος του γεμιστήρα. Οποιαδήποτε διάκενα γύρω από τις μύτες των βελονιών μπορεί να προκαλέσουν εμπλοκή και ζημιά στο εργαλείο.

ΕΙΔΟΠΟΙΗΣΗ: Να φορτώνετε τα βελόνια με τη σωστή κατεύθυνση. Αν φορτώσετε με τη λάθος κατεύθυνση, μπορεί να προκληθεί πρόωρη φθορά της μονάδας καρφώματος και ζημιά σε άλλα μέρη.

ΕΙΔΟΠΟΙΗΣΗ: Μην χρησιμοποιείτε παραμορφωμένη ταινία βελονιών. Να χρησιμοποιείτε μόνο βελόνια που υποδεικνύονται σε αυτό το εγχειρίδιο. Η χρήση βελονιών διαφορετικών από αυτών που καθορίζονται μπορεί να προκαλέσει εμπλοκή των βελονιών και σπάσιμο του εργαλείου.

ΕΙΔΟΠΟΙΗΣΗ: Αποφύγετε τη φόρτωση ταινιών με λιγότερα βελόνια, ειδικά όταν χρησιμοποιείτε βελόνια με μικρότερο μήκος. Μπορεί να προκληθεί εμπλοκή και ζημιά στο εργαλείο.

ΕΙΔΟΠΟΙΗΣΗ: Μην φορτώνετε ταυτόχρονα ταινίες διαφορετικών μηκών ή πολλές ταινίες με λιγότερα βελόνια. Μπορεί να προκληθεί εμπλοκή και ζημιά στο εργαλείο.

3. Επιστρέψτε την κυλιόμενη θύρα στην αρχική θέση και κλειδώστε την στη θέση αυτή με τον μοχλό κλειδώματος.

ΕΙΔΟΠΟΙΗΣΗ: Κλείστε την κυλιόμενη θύρα απαλά. Αν ασκήσετε υπερβολική δύναμη μπορεί να προκληθεί παραμόρφωση των βελονιών και η κυλιόμενη θύρα μπορεί να μην επιστρέψει στην αρχική θέση.

Για να αφαιρέσετε τα βελόνια, πατήστε τον μοχλό κλειδώματος και σύρετε την κυλιόμενη θύρα για να ανοίξει. Βγάλτε τα βελόνια από το γεμιστήρα.

Προσαρμογέας ρύγχους

▲ ΠΡΟΣΟΧΗ: Να φροντίζετε πάντα τα δάκτυλά σας να είναι μακριά από τη σκανδάλη διακόπτη και το στοιχείο επαφής, καθώς και η κασέτα μπαταριών να έχει αφαιρεθεί πριν από την τοποθέτηση του προσαρμογέα ρύγχους.

Όταν πυροδοτείτε βελόνια σε υλικό με επιφάνειες που καταστρέφονται εύκολα, να χρησιμοποιείτε τον προσαρμογέα ρύγχους.

Τοποθετήστε τον προσαρμογέα ρύγχους πάνω από το άνω τμήμα επαφής του οδηγού της μονάδας καρφώματος, με τρόπο ώστε οι προεξοχές οδηγού μέσα στον προσαρμογέα ρύγχους να ταιριάζουν καλά μέσα στις εγκοπές οδηγού στον οδηγό της μονάδας καρφώματος. Μπορείτε να φυλάξετε τον προσαρμογέα ρύγχους στον υποδοχέα που βρίσκεται στο πίσω άκρο του γεμιστήρα, για να μην χαθεί.

▶ **Εικ.11:** 1. Προσαρμογέας ρύγχους 2. Οδηγός της μονάδας καρφώματος 3. Προεξοχές οδηγού 4. Εγκοπές οδηγού 5. Υποδοχέας

Προσαρμογέας ρύγχους για κάρφωμα σε επίπεδες επιφάνειες

Προαιρετικό εξάρτημα

Χρησιμοποιήστε τον προαιρετικό προσαρμογέα ρύγχους που έχει σχεδιαστεί για τη λειτουργία στερέωσης σε επίπεδες και ομοιόμορφες επιφάνειες. Προστατεύει τις μαλακές επιφάνειες του τεμαχίου εργασίας από σημάδια και γρατσουνιές που μπορεί να γίνουν από άνω τμήματα επαφής με στρογγυλή μύτη.

▶ **Εικ.12**

Τοποθετήστε τον προαιρετικό προσαρμογέα ρύγχους πάνω από το άνω τμήμα επαφής του οδηγού της μονάδας καρφώματος, με τρόπο ώστε οι προεξοχές οδηγού μέσα στον προσαρμογέα ρύγχους να ταιριάζουν καλά μέσα στις εγκοπές οδηγού στον οδηγό της μονάδας καρφώματος.

▶ **Εικ.13:** 1. Προαιρετικός προσαρμογέας ρύγχους 2. Οδηγός της μονάδας καρφώματος 3. Προεξοχές οδηγού 4. Εγκοπές οδηγού

Γάντζος

▲ ΠΡΟΣΟΧΗ: Όταν τοποθετείτε το γάντζο, να τον ασφαλίσετε πάντα καλά με τη βίδα. Διαφορετικά, ο γάντζος μπορεί να βγει από το εργαλείο και να έχει ως αποτέλεσμα ατομικό τραυματισμό.

▲ ΠΡΟΣΟΧΗ: Να χρησιμοποιείτε τα εξαρτήματα ανάρτησης/στερέωσης μόνο για τον σκοπό που προορίζονται. Η χρήση για κάποιο σκοπό για τον οποίο δεν προορίζονται μπορεί να προκαλέσει ατύχημα ή προσωπικό τραυματισμό.

▲ ΠΡΟΣΟΧΗ: Μην κρεμάτε το γάντζο από μια ζώνη μέσης. Αν πέσει το καρφωτικό βελονιών, γεγονός που προκαλείται επειδή ο γάντζος βγήκε από τη θέση του κατά λάθος, μπορεί να προκληθεί αθέλητη πυροδότηση και ατομικοί τραυματισμοί.

► Εικ.14

Ο γάντζος είναι βολικός για προσωρινό κρέμασμα του εργαλείου. Μπορεί να τοποθετηθεί σε οποιαδήποτε πλευρά του εργαλείου. Για να τοποθετήσετε το γάντζο, βάλτε τον σε μια εγκοπή στο περιβλήμα του εργαλείου σε οποιαδήποτε πλευρά και μετά ασφαλίστε τον με μια βίδα. Για να τον αφαιρέσετε, χαλαρώστε τη βίδα και μετά αφαιρέστε τον.

► **Εικ.15:** 1. Εγκοπή 2. Γάντζος 3. Βίδα

Φύλαξη κλειδιού άλεν

Όταν δεν χρησιμοποιείται, φυλάξτε το κλειδί άλεν όπως απεικονίζεται στην εικόνα, για να μην το χάσετε.

► **Εικ.16:** 1. Κλειδί άλεν

ΛΕΙΤΟΥΡΓΙΑ

Δοκιμή του συστήματος ασφάλειας

▲ ΠΡΟΕΙΔΟΠΟΙΗΣΗ: Να βεβαιώνετε ότι όλα τα συστήματα ασφάλειας βρίσκονται σε καλή κατάσταση πριν από την λειτουργία. Εάν δεν το κάνετε αυτό, μπορεί να προκληθούν ατομικοί τραυματισμοί.

► **Εικ.17:** 1. Κουμπί κλειδώματος σκανδάλης
2. Σκανδάλη διακόπτης 3. Στοιχείο επαφής
4. Γεμιστήρας

Δοκιμάστε τα συστήματα ασφάλειας όπως περιγράφεται στη συνέχεια, για πιθανή βλάβη πριν τη λειτουργία.

1. Βγάλτε τα βελόνια από το εργαλείο και κρατήστε ανοικτό τον γεμιστήρα.
2. Τοποθετήστε την κασέτα μπαταριών και απελευθερώστε το κλειδώμα σκανδάλης.
3. Τραβήξτε τη σκανδάλη διακόπτη χωρίς να ακουμπάτε το στοιχείο επαφής επάνω στο υλικό.
4. Ακουμπήστε το στοιχείο επαφής επάνω στο υλικό χωρίς να τραβάτε τη σκανδάλη διακόπτη.

Αν το εργαλείο λειτουργεί στις παραπάνω περιπτώσεις 3 ή 4, τα συστήματα ασφάλειας είναι ελαττωματικά. Διακόψτε αμέσως τη λειτουργία του εργαλείου και απευθυνθείτε στο τοπικό σας κέντρο σέρβις.

Κάρφωμα βελονιών

▲ ΠΡΟΕΙΔΟΠΟΙΗΣΗ: Μην χρησιμοποιείτε αυτό το καρφωτικό βελονιών για τη στερέωση ηλεκτρικών καλωδίων. Δεν είναι σχεδιασμένο για την τοποθέτηση ηλεκτρικών καλωδίων και μπορεί να προκαλέσει βλάβη στη μόνωση των ηλεκτρικών καλωδίων με αποτέλεσμα να προκληθεί ηλεκτροπληξία ή κίνδυνος πυρκαγιάς.

▲ ΠΡΟΕΙΔΟΠΟΙΗΣΗ: Συνεχίστε να τοποθετείτε το στοιχείο επαφής σταθερά στο υλικό μέχρι το βελόνι να καρφωθεί πλήρως. Η αθέλητη πυροδότηση μπορεί να προκαλέσει ατομικούς τραυματισμούς.

▲ ΠΡΟΣΟΧΗ: Κρατήστε το εργαλείο σταθερά κατά τη λειτουργία.

▲ ΠΡΟΣΟΧΗ: Μην χρησιμοποιείτε το εργαλείο για περισσότερο χρόνο από τον επιτρεπτό χρόνο συνεχόμενης λειτουργίας. Διαφορετικά, μπορεί να προκαλέσει ζημιά στο εργαλείο έχοντας ως αποτέλεσμα προσωπικό τραυματισμό.

ΕΙΔΟΠΟΙΗΣΗ: Το εργαλείο δεν θα ξεκινήσει ξανά το κάρφωμα μετά από πέντε δευτερόλεπτα χωρίς τη λειτουργία του διακόπτη ενώ το στοιχείο επαφής είναι τοποθετημένο στο τεμάχιο εργασίας. Τραβήξτε το στοιχείο επαφής από το τεμάχιο εργασίας και τοποθετήστε το εκ νέου σε μια θέση για να ξεκινήσει ξανά το κάρφωμα.

1. Απελευθερώστε το κλειδώμα σκανδάλης.
 2. Τοποθετήστε το στοιχείο επαφής επίπεδα επάνω στο υλικό.
 3. Τραβήξτε πλήρως τη σκανδάλη διακόπτη για να καρφώσετε το βελόνι.
 4. Για να καρφώσετε το επόμενο καρφί, απελευθερώστε το δάχτυλό σας από τη σκανδάλη διακόπτη μία φορά και μετά επαναλάβετε τα βήματα 2 και 3 παραπάνω.
- **Εικ.18:** 1. Σκανδάλη διακόπτης 2. Στοιχείο επαφής

Επίσης, μπορείτε να καρφώσετε τα βελόνια όταν σύρετε το εργαλείο στην επόμενη περιοχή με το στοιχείο επαφής πατημένο επάνω στο υλικό και τραβήξτε τη σκανδάλη διακόπτη.

► **Εικ.19**

Αν η κεφαλή του βελονιού παραμένει πάνω από την επιφάνεια του τεμαχίου εργασίας, τοποθετήστε το βελόνι ενώ κρατάτε σταθερά την κεφαλή καρφωτικού βελονιών επάνω στο τεμάχιο εργασίας.

► **Εικ.20**

ΠΑΡΑΤΗΡΗΣΗ: Αν η κεφαλή του βελονιού ακόμη παραμένει πάνω από το τεμάχιο εργασίας ακόμη και όταν κρατάτε την κεφαλή του καρφωτικού βελονιών, το υλικό μπορεί να μην είναι κατάλληλο για το καρφωτικό βελονιών. Αν συνεχίσετε να χρησιμοποιείτε το καρφωτικό βελονιών σε τέτοιο υλικό, μπορεί να έχει ως αποτέλεσμα ζημιά στη μονάδα καρφώματος του καρφωτικού βελονιών ή/και εμπλοκή του καρφωτικού βελονιών.

Μηχανισμός προστασίας από το κάρφωμα χωρίς συρραπτικά

▲ ΠΡΟΕΙΔΟΠΟΙΗΣΗ: Να φροντίζετε πάντα τα δάκτυλά σας να είναι μακριά από τη σκανδάλη διακόπτη και το στοιχείο επαφής, καθώς και η κασέτα μπαταριών να έχει αφαιρεθεί πριν από τη φόρτιση των βελονιών.

Όταν οι αριθμοί των εναπομένοντων βελονιών στον γεμιστήρα είναι μεταξύ 0 - 3 τεμάχια, η σκανδάλη διακόπτης δεν μπορεί πλέον να τραβηχθεί. Αυτή τη στιγμή, τοποθετήστε μια καινούρια ταινία βελονιών στον γεμιστήρα και θα μπορείτε να τραβήξετε ξανά τη σκανδάλη διακόπτη.

ΠΑΡΑΤΗΡΗΣΗ: Όταν πυροδοτείτε βελόνια με διαφορετικό μήκος λίγο μετά την ενεργοποίηση του μηχανισμού προστασίας από το κενό κάρφωμα, τοποθετήστε μια καινούρια ταινία βελονιών στον γεμιστήρα και πυροδοτήστε σε άχρηστο υλικό όλα τα προηγούμενα βελόνια που έχουν απομείνει.

Έλεγχος των εναπομένοντων βελονιών

Μπορείτε να ελέγξετε την ποσότητα των εναπομένοντων βελονιών από το παράθυρο ελέγχου. Ο κόκκινος δείκτης μετακινείται προς το άνοιγμα καρφώματος όταν η ποσότητα των εναπομένοντων βελονιών γίνεται μικρότερη.

► **Εικ.21:** 1. Παράθυρο ελέγχου 2. Ένδειξη

Αφαίρεση μπλοκαρισμένων βελονιών

▲ ΠΡΟΕΙΔΟΠΟΙΗΣΗ: Να βεβαιώνετε πάντα ότι η σκανδάλη είναι αποδοσμευμένη, και η κασέτα μπαταριών και τα βελόνια έχουν αφαιρεθεί πριν αφαιρέσετε τα μπλοκαρισμένα βελόνια.

▲ ΠΡΟΣΟΧΗ: Μην αφαιρείτε τα μπλοκαρισμένα βελόνια με γυμνά χέρια. Τα βελόνια μπορεί να πεταχτούν από το γεμιστήρα και να προκληθεί τραυματισμός.

1. Αφαιρέστε όλα τα βελόνια που απομένουν στον γεμιστήρα.
 2. Ξεβιδώστε τα τρία εξαγωνικά μπουλόνια στο κάλυμμα του οδηγού της μονάδας καρφώματος χρησιμοποιώντας το κλειδί άλεν.
 3. Αφαιρέστε τα μπλοκαρισμένα βελόνια από τις εγκοπές οδηγού βελονιών στον οδηγό της μονάδας καρφώματος.
- **Εικ.22:** 1. Εξαγωνικό μπουλόνι 2. Κάλυμμα του οδηγού της μονάδας καρφώματος
3. Κάλυμμα του άνω τμήματος επαφής
4. Οδηγός της μονάδας καρφώματος

ΠΑΡΑΤΗΡΗΣΗ: Αν δυσκολεύεστε να αφαιρέσετε τα μπλοκαρισμένα βελόνια, ξεφίξτε τα δύο εξαγωνικά μπουλόνια στο κάλυμμα του άνω τμήματος επαφής χρησιμοποιώντας το κλειδί άλεν και μετά βγάλτε τα μπλοκαρισμένα βελόνια από τον οδηγό της μονάδας καρφώματος.

4. Τοποθετήστε τα καλύμματα ξανά στη θέση τους και ασφαλίστε τα πάνω από τον οδηγό της μονάδας καρφώματος με τα εξαγωνικά μπουλόνια.

ΕΙΔΟΠΟΙΗΣΗ: Αφού καθαρίσετε τις εμποκές, να βεβαιώνετε πάντα ότι τα καλύμματα στον οδηγό της μονάδας καρφώματος έχουν συναρμολογηθεί ξανά σωστά. Αν ο οδηγός της μονάδας καρφώματος λειτουργεί εσφαλμένα, συναρμολογήστε τα ξανά με τα εξαγωνικά μπουλόνια.

ΣΥΝΤΗΡΗΣΗ

▲ ΠΡΟΣΟΧΗ: Πριν την εκτέλεση εργασιών επιθεώρησης ή συντήρησης, πάντοτε να βεβαιώνετε ότι η συσκευή απενεργοποιήθηκε και η κασέτα μπαταριών έχει αφαιρεθεί.

ΕΙΔΟΠΟΙΗΣΗ: Μην χρησιμοποιείτε ποτέ βενζίνη, πετρελαϊκό αιθέρα, διαλυτικό, αλκοόλη ή παρόμοιες ουσίες. Μπορεί να προκληθεί αποχρωματισμός, παραμόρφωση ή ρωγμές.

Για τη διατήρηση της ΑΣΦΑΛΕΙΑΣ και ΑΞΙΟΠΙΣΤΙΑΣ του προϊόντος, οι επισκευές και οποιαδήποτε άλλη εργασία συντήρησης ή ρύθμισης πρέπει να εκτελούνται από εξουσιοδοτημένα ή εργοστασιακά κέντρα εξυπηρέτησης της Makita, χρησιμοποιώντας πάντοτε ανταλλακτικά της Makita.

Καθαρισμός του γεμιστήρα

Να καθαρίζετε το εσωτερικό του γεμιστήρα σε τακτά χρονικά διαστήματα. Φυσήξτε ή σκουπίστε τη βρομιά, τη σκόνη, τα θραύσματα ξύλου και την κόλλα καρφιών που συσσωρεύονται στις εγκοπές οδήγησης.

► **Εικ.23:** 1. Εγκοπές οδήγησης

ΕΙΔΟΠΟΙΗΣΗ: Η βρομιά και η σκόνη στις εγκοπές οδήγησης μπορούν να επηρεάσουν την τροφοδοσία βελονιών, έχοντας ως αποτέλεσμα την περιστασιακή κενή πυροδότηση.

ΠΡΟΑΙΡΕΤΙΚΑ ΕΞΑΡΤΗΜΑΤΑ

▲ ΠΡΟΣΟΧΗ: Αυτά τα εξαρτήματα ή προσαρτήματα συνιστώνται για χρήση με το εργαλείο Makita που περιγράφηκε στις οδηγίες αυτές. Η χρήση οποιωνδήποτε άλλων εξαρτημάτων ή προσαρτημάτων μπορεί να προκαλέσει κίνδυνο τραυματισμού σε άτομα. Να χρησιμοποιείτε τα εξαρτήματα ή προσαρτήματα μόνο για την χρήση που προορίζονται.

Εάν χρειάζεστε οποιαδήποτε βοήθεια για περισσότερες πληροφορίες σε σχέση με αυτά τα εξαρτήματα, απαντηθείτε στο τοπικό σας κέντρο εξυπηρέτησης Makita.

- Βελόνια
- Προσαρμογέας ρύγχους (για στερέωση σε επίπεδες επιφάνειες)
- Γνήσια μπαταρία και φορτιστής της Makita

ΠΑΡΑΤΗΡΗΣΗ: Μερικά στοιχεία στη λίστα μπορεί να συμπεριλαμβάνονται στη συσκευασία εργαλείου ως στάνταρ εξαρτήματα. Μπορεί να διαφέρουν ανάλογα με τη χώρα.

TEKNİK ÖZELLİKLER

Model:	PT001G
Başsız çivi boyutu	ø0,6 mm x 15, 18, 25, 30, 35 mm
Başsız çivi hazne kapasitesi	100 adet
BL4025 ile boyutlar, kancasız (U x G x Y)	265 mm x 86 mm x 226 mm
Anma voltajı	D.C. 36 V - 40 V maks.
Net ağırlık	2,4 - 3,0 kg

- Sürekli yapılan araştırma ve geliştirmelerden dolayı, burada belirtilen özellikler önceden bildirilmeksizin değiştirilebilir.
- Özellikler ve batarya kartuşu ülkeden ülkeye değişebilir.
- Ağırlık, ekli aksesuar/aksesuarlara ve batarya kartuşuna bağlı olarak farklılık gösterebilir. EPTA-Prosedürü 01/2014'e göre en hafif ve en ağır kombinasyonlar tabloda verilmiştir.

Geçerli batarya kartuşu ve şarj aleti

Batarya kartuşu	BL4020* / BL4025* / BL4040 / BL4050F * : Önerilen batarya
Şarj aleti	DC40RA / DC40RB / DC40RC

- Yukarıda listelenen batarya kartuşlarının ve şarj aletlerinin bazıları yaşadığınız bölgeye bağlı olarak mevcut olmayabilir.

⚠UYARI: Sadece yukarıda listelenen batarya kartuşlarını ve şarj aletlerini kullanın. Başka batarya kartuşlarının ve şarj aletlerinin kullanılması yaralanma ve/veya yangına neden olabilir.

Kullanım amacı

Bu alet, kereste gibi inşaat malzemelerine başsız çivi baskmak için tasarlanmıştır.

Gürültü

Tipik A-ağırlıklı gürültü düzeyi (EN60745-2-16 standardına göre belirlenen):

Ses basınç seviyesi (L_{pA}): 79 dB (A)

Belirsizlik (K): 3 dB (A)

İşlem sırasında gürültü seviyesi 80 dB (A)'yi geçebilir.

NOT: Beyan edilen gürültü emisyonu değer(ler)i bir standart test yöntemine uygun şekilde ölçülmüştür ve bir aleti bir başkasıyla karşılaştırmak için kullanılabilir.

NOT: Beyan edilen gürültü emisyonu değer(ler)i bir ön maruz kalma değerlendirmesi olarak da kullanılabilir.

⚠UYARI: Kulak koruyucuları takın.

⚠UYARI: Elektrikli aletin gerçek kullanımı sırasındaki gürültü emisyonu, aletin kullanım biçimlerine, özellikle işlenen iş parçasının türüne bağlı olarak beyan edilen değer(ler)den farklı olabilir.

⚠UYARI: Gerçek kullanım koşullarındaki tahmini maruziyeti baz alan, operatörü koruyacak güvenlik önlemlerini mutlaka belirleyin (çalışma döngüsü içerisinde aletin kapalı olduğu ve aktif durumda olmasının yanı sıra boşta çalıştığı zamanlar gibi, bütün zaman dilimleri göz önünde bulundurarak).

Titreşim

EN60745-2-16 uyarınca hesaplanan titreşim toplam değeri:

Titreşim emisyonu (a_h): 2,5 m/s²'den az

Belirsizlik (K) : 1,5 m/s²

NOT: Beyan edilen titreşim toplam değer(ler)i bir standart test yöntemine uygun şekilde ölçülmüştür ve bir aleti bir başkasıyla karşılaştırmak için kullanılabilir.

NOT: Beyan edilen titreşim toplam değer(ler)i bir ön maruz kalma değerlendirmesi olarak da kullanılabilir.

⚠UYARI: Elektrikli aletin gerçek kullanımı sırasındaki titreşim emisyonu, aletin kullanım biçimlerine, özellikle işlenen iş parçasının türüne bağlı olarak beyan edilen değer(ler)den farklı olabilir.

⚠UYARI: Gerçek kullanım koşullarındaki tahmini maruziyeti baz alan, operatörü koruyacak güvenlik önlemlerini mutlaka belirleyin (çalışma döngüsü içerisinde aletin kapalı olduğu ve aktif durumda olmasının yanı sıra boşta çalıştığı zamanlar gibi, bütün zaman dilimleri göz önünde bulundurarak).

EC Uygunluk Beyanı

Sadece Avrupa ülkeleri için

EC uygunluk beyanı bu kullanım kılavuzuna Ek A olarak eklenmiştir.

GÜVENLİK UYARILARI

Genel elektrikli alet güvenliği uyarıları

UYARI: Bu elektrikli aletle birlikte sunulan tüm güvenlik uyarılarını, talimatları, çizimleri ve teknik özellikleri okuyun. Aşağıda verilen talimatlara uyulmaması elektrik şoku, yangın ve/veya ciddi yaralanmalar ile sonuçlanabilir.

Tüm uyarıları ve talimatları ile-ride başvurmak için saklayın.

Uyarılardaki "elektrikli alet" terimi ile ya prizden çalışan (kordonlu) elektrikli aletiniz ya da kendi aküsü ile çalışan (kordonsuz) elektrikli aletiniz kastedilmektedir.

Akülü çivi çakma tabancası güvenlik uyarıları

- Daima alette tespit elemanı olduğunuzu varsayın.** Çivi çakma tabancasının dikkatsiz bir şekilde kullanılması tespit elemanlarının beklenmedik bir şekilde atılması ve kişisel yaralanmayla sonuçlanabilir.
- Aleti kendinize ya da yakınınızdaki insanlara doğrultmayın.** Beklenmedik tetikleme, tespit elemanını fırlatarak yaralanmaya sebep olmasına yol açabilir.
- Aleti iş parçasına sıkıca dayamadan aleti çalıştırmayın.** Alet iş parçası ile temas halinde değilse, tespit elemanı hedefinizden sapabilir.
- Tespit elemanı alet içinde sıkıştığı zaman aleti güç kaynağından ayırın.** Sıkışmış bir tespit elemanı çıkarılırken alet fişe takılı olduğunda, çivi çakma tabancası kazara çalışabilir.
- Sıkışmış bir tespit elemanını çıkarırken dikkatli olun.** Mekanizma basıncı altında olabilir ve sıkışma durumunu gidermeye çalışırken gücün etkisiyle tespit elemanı fırlatabilir.
- Bu çivi çakma tabancasını elektrik kablolarını sabitlemek için kullanmayın.** Elektrik kablosu montajı için tasarlanmamıştır ve elektrik kablolarının yalıtımlarına hasar vererek elektrik çarpmasına veya yangına neden olabilir.
- Ellerinizi ve ayaklarınızı çıkış ağzının olduğu alandan uzak tutun.**
- Yağlama ve aksesuar değiştirme talimatlarına uyun.**
- Tespit elemanlarını yüklemeyen, ayarlamadan, denetlemeden, bakım yapmadan önce veya kullanıma bittikten sonra daima batarya kartuşunu çıkarın.**
- Çalıştırmadan önce etrafta kimse olmadığının emin olun.** Aynı anda hem içten hem de dıştan tespit elemanı basmaya asla çalışmayın. Tespit elemanları yırtıp geçerek ve/veya dışarı fırlatarak ciddi tehlike oluşturabilir.
- Duruşunuza dikkat edin ve aleti dengeli tutun.** Yüksek yerlerde çalışırken aşağıda kimse olmadığının emin olun.
- "İskelelerde, merdivenlerde kullanmayın" simgesini taşıyan bağlantı elemanı vidalama aletlerini, kesinlikle aşağıda örnekleri verilen özel uygulamalarda kullanmayın:**
 - bir vidalama konumundan diğerine değişimin, iskeleler, basamaklar, merdivenler veya çatı tahtaları gibi merdiven benzeri yapıların kullanılmasını içermesi;
 - kutuların veya sandıkların kapatılması;
 - araçlardaki ve vagonlardaki taşıma emniyet sistemlerinin sabitlenmesi.

- Akım geçen tellere, kablo kanallarına veya gaz borularına zımbalamanın neden olabileceği olası bir elektrik şokunu, gaz kaçağını, patlamaları vs. önlemek için duvarları, tavanı, zemini, çatıyı ve bunun gibi yerleri dikkatle kontrol edin.**
- Sadece bu kılavuzda belirtilen tespit elemanlarını kullanın.** Başka tespit elemanlarının kullanılması aletin arızalanmasına neden olabilir.
- Alette bir değişiklik yapmayın veya aleti tespit elemanı basmak dışında bir amaçla kullanmaya çalışmayın.**
- Aleti tespit elemanları olmadan alıştırmayın.** Bunu yapmak aletin hizmet ömrünü kısaltır.
- Eğer alette bir terslik veya normal dışı bir durum fark ederseniz, çalışmaya hemen durdurun.**
- Tespit elemanının yırtıp geçebileceği ve içinden fırlayıp uçabileceği malzemelere asla zımbalama yapmayın.**
- İş parçalarını tespit etmeye hazır olmadan, anahtar tetiği ve temas elemanını asla aynı anda etkinleştirmeyin.** İş parçasının temas elemanına temas etmesini sağlayın. Asla temas elemanını geriye sabitleyerek ya da elinizle bastırarak kullanım dışı bırakmayın.
- Temas elemanı üzerinde asla değişiklik yapmayın.** Temas elemanının doğru çalışıp çalışmadığını sık sık kontrol edin.
- Alet kullanımında değilken, daima tespit elemanlarını çıkarın.**

BU TALİMATLARI SAKLAYIN.

UYARI: Ürünü kullanırken (defalarca kullanınca kazanılan) rahatlık ve tanıdıklık duygusunun ilgili ürünün güvenlik kurallarına sıkı sıkıya bağlı kalmanın yerine geçmesine İZİN VERMEYİN. YANLIŞ KULLANIM veya bu kullanma kılavuzunda belirtilen emniyet kurallarına uymama ciddi yaralanmaya neden olabilir.

Batarya kartuşu hakkında önemli güvenlik talimatları

- Batarya kartuşunu kullanmadan önce, tüm talimatları ve (1) batarya kartuşu, (2) batarya ve (3) ürün üzerindeki tüm uyarı işaretlerini okuyun.**
- Batarya kartuşunu parçalarına ayırmayın veya kurcalamayın.** Yangın, aşırı ısı veya patlamaya neden olabilir.
- Çalışma süresi aşırı derecede kısalmışsa kullanmayı derhal bırakın.** Aşırı ısınma, yanma riski hatta patlamaya neden olabilir.
- Gözünüze elektrolit kaçarsa, gözlerinizi temiz suyla durulayın ve hemen tıbbi yardım alın.** Görme kaybına yol açabilir.
- Batarya kartuşuna kısa devre yaptırmayın:**
 - Terminallere herhangi bir iletken malde deędirmeyin.
 - Batarya kartuşunu çiviler, madeni paralar, vb. gibi başka metal nesnelere aynı kaba koymaktan kaçının.
 - Batarya kartuşunu yağmura ya da suya maruz bırakmayın.**Kısa devre, büyük bir akım akışına, aşırı ısınmaya, olası yanıklara hatta bataryanın bozulmasına yol açabilir.**

6. Aleti ve batarya kartuşunu sıcaklığın 50 °C ya da daha yükseğe ulaştığı yerlerde saklamayın ve kullanmayın.
7. Aşırı derecede hasar görmüş ya da tamamen kullanılamaz durumda olsa bile batarya kartuşunu yakmayın. Batarya kartuşu ateşe atılırsa patlayabilir.
8. Batarya kartuşunu çivilemeyin, kesmeyin, ezmeyin, fırlatmayın, düşürmeyin ya da batarya kartuşuna sert bir nesne ile vurmayın. Bu eylemler yangın, aşırı ısı veya patlamaya neden olabilir.
9. Hasarlı bataryayı kullanmayın.
10. Aletin içerdiği lityum-iyon bataryalar Tehlikeli Eşyalar Yönetmeliğinin gereksinimlerine tabidir. Ticari nakliye işlemleri için, örneğin üçüncü taraflar, nakliye acenteleri tarafından yapılan nakliyelerde, paketleme ve etiketleme gereksinimlerine uyulmalıdır. Nakliyesi yapılacak ürünün hazırlanması için, tehlikeli maddeler konusunda uzman bir kişiye danışın. Lütfen muhtemelen daha ayrıntılı olan ulusal yönetmeliklere de uyun. Açık kontakları bantlayın ya da maskeleyin ve bataryayı paketin içinde hareket etmeyecek şekilde paketleyin.
11. Batarya kartuşunu bertaraf ederken aletten çıkarın ve güvenli bir yerde bertaraf edin. Bataryanın bertaraf edilmesi ile ilgili yerel düzenlemelere uyunuz.
12. Bataryaları sadece Makita tarafından belirtilen ürünlerle kullanın. Bataryaların uyumsuz ürünlere takılması; yangın, aşırı ısınma, patlama ya da elektrolit sızıtısına neden olabilir.
13. Alet uzun süre kullanılmıyacaksa batarya aletten çıkarılmalıdır.
14. Kullanma sırasında ve sonrasında batarya kartuşu ısınarak yanıklara veya düşük sıcaklık yanıklarına yol açabilir. Sıcak batarya kartuşları ile işlem yaparken dikkat edin.
15. Yanıklara neden olabilecek kadar sıcak olabileceğinden kullandıktan hemen sonra aletin terminaline dokunmayın.
16. Batarya kartuşunun terminallerine, deliklerine ve kanallarına micir, toz veya toprak girmesine izin vermeyin. Aletin veya batarya kartuşunun ısınmasına, alev almasına, patlamasına ve arızalanmasına neden olarak yanıklara veya yaralanmaya yol açabilir.
17. Alet yüksek gerilim elektrik güç hatları yakınında kullanımı desteklemediği sürece batarya kartuşunu yüksek gerilim elektrik güç hatlarının yakınında kullanmayın. Aletin veya batarya kartuşunun arızalanmasına veya bozulmasına neden olabilir.
18. Bataryayı çocuklardan uzak tutun.

BU TALİMATLARI MUHAFAZA EDİNİZ.

⚠DİKKAT: Sadece orijinal Makita bataryalarını kullanın. Orijinal olmayan Makita bataryaları ya da üzerine değişiklik yapılmış bataryaların kullanımı bataryanın patlamasına ve sonuç olarak yangın, kişisel yaralanma ve hasara neden olabilir. Ayrıca Makita aleti ve şarj aletinin Makita tarafından sunulan garantisi de geçersiz olur.

Maksimum batarya ömrü için ipuçları

1. Batarya kartuşunu tamamen boşalmadan önce şarj edin. Aletin gücünün zayıflamaya başladığını fark ettiğinizde aleti durdurun ve batarya kartuşunu şarj edin.
2. Tam dolu bir batarya kartuşunu asla yeniden şarj etmeyin. Aşırı şarj etme bataryanın hizmet ömrünü kısaltır.
3. Batarya kartuşunu 10 °C - 40 °C oda sıcaklığında şarj edin. Sıcak bir batarya kartuşunu şarj etmeden önce soğumasını bekleyin.
4. Batarya kartuşunu kullanımyorken aletten veya şarj aletinden çıkarın.
5. Uzun bir süre (altı aydan daha fazla) kullanmadığınız durumlarda batarya kartuşunu şarj edin.

İŞLEVSEL NİTELİKLER

⚠DİKKAT: Alet üzerinde ayarlama veya işleyiş kontrolü yapmadan önce aletin kapalı ve batarya kartuşunun ayrılmış olduğundan daima emin olun.

Batarya kartuşunun takılması ve çıkarılması

⚠DİKKAT: Batarya kartuşunu takmadan ya da çıkarmadan önce aleti daima kapatın.

⚠DİKKAT: Batarya kartuşunu takarken veya çıkarırken aleti ve batarya kartuşunu sıkıca tutun. Aletin ve batarya kartuşunun sıkıca tutulmaması bunların düşürülmesine sebep olabilir ve alet ve batarya kartuşunun zarar görmesine ya da ciddi yaralanmasına yol açabilir.

► **Şek.1:** 1. Kırmızı gösterge 2. Düğme 3. Batarya kartuşu

Batarya kartuşunu çıkarmak için, kartuşun ön tarafındaki düğmeyi kaydırarak kartuşu aletten çıkarın.

Batarya kartuşunu takmak için, batarya kartuşu üzerindeki dili yuvanın oluğu ile hizalayın ve kartuşu yerine oturtun. Kartuşu, küçük bir tık sesi ile yerine sabitlenene dek sonuna kadar ittirin. Şekilde gösterildiği gibi kırmızı göstergelyi görebiliyorsanız tam olarak kilitlenmemiş demektir.

⚠DİKKAT: Batarya kartuşunu daima kırmızı gösterge görünmeyecek şekilde tam olarak takın. Yerine tam oturmazsa, aletten yanlışlıkla düşebilir, sizin ya da çevrenizdeki kişilerin yaralanmasına neden olabilir.

⚠DİKKAT: Batarya kartuşunu zorlayarak takmayın. Kartuş kolay bir şekilde kaymıyorsa doğru yerleştirilmemiş demektir.

Alet/batarya koruma sistemi

Bu alet bir alet/batarya koruma sistemi ile donatılmıştır. Bu sistem motora giden gücü otomatik olarak keserek uzun alet ve batarya ömrü sağlar. Alet veya batarya için aşağıdaki durumlardan biri söz konusu olduğunda aletin işleyişi otomatik olarak durur:

Aşırı yük koruması

Alet/batarya, anormal derecede yüksek akım çekmesine neden olacak şekilde kullanıldığında, alet otomatik olarak durur. Bu durumda, aleti kapatın ve aletin aşırı yüklenmesine neden olan uygulamayı durdurun. Daha sonra aleti yeniden çalıştırmak için açın.

Aşırı ısınma koruması

Alet/batarya aşırı ısındığında, alet otomatik olarak durur. Bu durumda, yeniden çalıştırmadan önce aletin/bataryanın soğumasını bekleyin.

Aşırı deşarj koruması

Batarya kapasitesi yeterli olmadığında, alet otomatik olarak durur. Bu durumda, bataryayı aletten çıkarın ve bataryayı tekrar şarj edin.

Diğer nedenlere karşı korumalar

Koruma sistemi, alete zarar verebilecek diğer nedenler için de tasarlanmıştır ve aletin otomatik olarak durmasını sağlar. Alet çalışırken geçici duraklama ve durma yaparsa nedenleri ortadan kaldırmak için aşağıdaki tüm adımları uygulayın.

1. Aleti kapatın ve ardından tekrar açarak yeniden çalıştırın.
2. Bataryaları şarj edin veya şarjlı bataryalarla değiştirin.
3. Aletin ve bataryaların soğumasını bekleyin.

Koruma sistemi eski haline getirilerek ilerleme kaydedilemezse yerel Makita Servis Merkezimize başvurun.

Kalan batarya kapasitesinin gösterilmesi

Kalan batarya kapasitesini göstermesi için batarya kartuşu üzerindeki kontrol düğmesine basın. Gösterge lambaları birkaç saniye yanar.

► **Şek.2:** 1. Gösterge lambaları 2. Kontrol düğmesi

Gösterge lambaları			Kalan kapasite
Yanıyor	Kapalı	Yanıp sönmüyor	
■	□	◐	
■ ■ ■ ■			%75 ila %100
■ ■ ■ □			%50 ila %75
■ ■ □ □			%25 ila %50
■ □ □ □			%0 ila %25
◐ □ □ □			Bataryayı şarj edin.
■ ■ □ □	↑ ↓	□ □ ■ ■	Batarya arızalanmış olabilir.

NOT: Kullanım koşullarına ve ortam sıcaklığına bağlı olarak, gösterilen değer gerçek kapasiteden biraz farklılık gösterebilir.

NOT: İlk (en soldaki) gösterge lambası, batarya koruma sistemi çalıştığında yanıp söner.

Tetik kilidi düğmesi

▲DİKKAT: Batarya kartuşunu alete takmadan önce anahtar tetiğin doğru çalıştığından ve bırakıldığında "OFF" (kapalı) konumuna döndüğünden emin olun.

▲DİKKAT: Aleti kullanmadığınız zamanlarda anahtar tetiği kapalı konumda kilitlemek için tetik kilidi düğmesine B tarafından bastırın.

► **Şek.3:** 1. Tetik kilidi düğmesi 2. Anahtar tetik

► **Şek.4**

Anahtar tetiğin kaza sonucu çekilmesini önlemek için, tetik kilidi düğmesi sunulmuştur.

Anahtar tetiği çekmek için, tetik kilidi düğmesine A tarafından bastırın.

Kullanımdan sonra daima tetik kilidi düğmesine B tarafından bastırın.

Başsız çivi çakma derinliğinin ayarlanması

▲UYARI: Çakma derinliğini ayarlamadan önce parmaklarınızın anahtar tetiğin veya temas elemanının üzerine yerleşmediğinden ve batarya kartuşunun çıkartılmış olduğundan daima emin olun.

Başsız çivi çakma derinliği, aletin üzerindeki ayar düğmesi çevrilerek ayarlanabilir. Şekilde gösterildiği gibi ayar düğmesini A yönünde çevirdiğinizde başsız çivi çakma derinliği 1,5 mm'ye varan bir aralıkta artarken B yönünde çevirdiğinizde başsız çivi çakma derinliği azalır.

► **Şek.5:** 1. Ayar düğmesi

► **Şek.6:** 1. Çok derin 2. Doğru derinlik 3. Çok sık

Lambaların yakılması

▲DİKKAT: Işığa bakmayın ya da ışık kaynağını doğrudan görmeyin.

Lambayı yakmak için anahtar tetiği çekin ya da temas elemanını etkinleştirin. Anahtar tetik çekilirken ya da temas elemanı etkinken lamba 60 saniyeye kadar yanmaya devam eder. Lamba, anahtar tetik ve temas elemanı serbest bırakıldıktan yaklaşık 10 saniye sonra söner.

► **Şek.7:** 1. Lamba

ÖNEMLİ NOT: Lamba lensini temizlemek için kuru bir bez kullanın. Aydınlatmayı azaltacağı için lamba lensinin çizilmemesine dikkat edin.

ÖNEMLİ NOT: Batarya gücü azaldıktan sonra lamba yanık kalsa bile alet başsız çivi atamayabilir. Bu durumda, batarya kartuşunu şarj edin.

ÖNEMLİ NOT: Alet aşırı ısındığında lamba yanıp söner. Bu durumda anahtar tetiği ve temas elemanını bırakın ve ardından yeniden çalıştırmadan önce aleti/bataryayı soğutun.

ÖNEMLİ NOT: Başsız çivi çakma sırasında başsız çivi çakma tabancası bir hata algılasa lamba yanıp sönmeye başlar. Bu durumda başsız çivi çakma tabancasını Fabrika Servis Merkezine getirin.

MONTAJ

⚠DİKKAT: Başsız çivi çakma tabancası üzerinde herhangi bir işlem yapmadan önce parmaklarınızın anahtar tetiğinin veya temas elemanının üzerine yerleşmediğinden ve batarya kartuşunun çıkartılmış olduğundan daima emin olun.

Başsız çivileri yükleme ve boşaltma

⚠DİKKAT: Başsız çivi yüklemeye başlamadan önce parmaklarınızın tetiğe yerleştirilmediğinden ve batarya kartuşunun çıkartılmış olduğundan daima emin olun. İstenmeyen atış, kişisel yaralanmaya veya maddi hasara neden olabilir.

⚠DİKKAT: Başsız çiviler hazneye yüklenirken haznenin sürgülü kapağını çarparak açıp kapatmaktan kaçının. Özellikle yüksek yerlerde çalışırken başsız çivilerin kazara düşürülmesi kişisel yaralanmalara sebep olabilir.

1. Kilitleme mandalına basın ve haznenin sürgülü kapağını açın.

► **Şek.8:** 1. Kilitleme mandalı 2. Sürgülü kapak 3. Hazne

2. Bir başsız çivi şeridini, noktalı üçgenler aşağı bakacak şekilde, başsız çivilerin uçlarını haznenin altındaki kılavuz oluklarla hizalayarak yerleştirin. Çivi uçlarının haznenin alt kısmına dokunduğundan emin olun ve ardından başsız çivi şeridini sürücü kılavuzuna doğru hafifçe kaydırın.

► **Şek.9:** 1. Başsız çiviler 2. Noktalı üçgen 3. Kılavuz oluklar 4. Sürücü kılavuzu

► **Şek.10:** 1. Başsız çiviler 2. Haznenin altı 3. Boşluklar

ÖNEMLİ NOT: Başsız çivilerin uçlarının haznenin altına sıkıca yerleştirildiğinden emin olun. Başsız çivilerin uçlarının etrafındaki boşluklar sıkışmaya ve alette hasarlara neden olabilir.

ÖNEMLİ NOT: Başsız çivileri doğru yönde yükleyin. Yanlış yönde yükleme yapmak erken aşınmaya, sürücünün hasar görmesine ya da diğer parçalarda zarara sebep olabilir.

ÖNEMLİ NOT: Deforme olmuş başsız çivi şeritlerini kullanmayın. Bu kılavuzda belirtilen başsız çivileri kullanın. Belirtilenen dışındaki başsız çivilerin kullanılması çivilerin sıkışmasına ve aletin arızalanmasına neden olabilir.

ÖNEMLİ NOT: Özellikle başsız çivileri kısa uzunluklarda kullanırken az başsız çivi içeren çivi şeritlerini yüklemekten kaçının. Sıkışmaya ve alette hasarlara neden olabilir.

ÖNEMLİ NOT: Farklı uzunluklardaki çivi şeritlerini veya az başsız çivi içeren birden fazla çivi şeridini aynı anda yüklemeyin. Aksi takdirde sıkışmaya ve alette hasarlara neden olabilir.

3. Sürgülü kapağı orijinal konumuna döndürün ve kilitleme mandalı ile yerine kilitleyin.

ÖNEMLİ NOT: Sürgülü kapağı hafifçe kapatın. Aşırı güç uygulamak başsız çivilerde deformasyona neden olabilir ve sürgülü kapak orijinal konumuna dönemeyebilir.

Başsız çivileri çıkarmak için kilitleme mandalına basın ve sürgülü kapağı kaydırarak açın. Başsız çivileri haznenin dışına çıkarın.

Burun adaptörü

⚠DİKKAT: Burun adaptörünü takmadan önce parmaklarınızın anahtar tetiğinin veya temas elemanının üzerine yerleşmediğinden ve batarya kartuşunun çıkartılmış olduğundan daima emin olun.

Kolay çizilebilen yüzeylere başsız çivi çakarken burun adaptörünü kullanın.

Burun adaptörünün içindeki kılavuz çıkıntıları sürücü kılavuzundaki kılavuz çentiklerine tam oturacak şekilde burun adaptörünü sürücü kılavuzunun temas ucuna yerleştirin. Kaybolmasını önlemek için, burun adaptörünü haznenin arka ucundaki yuvada saklayabilirsiniz.

► **Şek.11:** 1. Burun adaptörü 2. Sürücü kılavuzu 3. Kılavuz çıkıntıları 4. Kılavuz çentikleri 5. Yuva

Düz yüzeylerde çivi çakmak için burun adaptörü

İsteğe bağlı aksesuar

Düz ve eşit yüzeylerde sabitleme işlemleri için tasarlanmış isteğe bağlı burun adaptörünü kullanın. Yuvarlak uçlu temas uçlarının neden olduğu izlere ve çiziklere karşı yumuşak iş parçası yüzeylerini korur.

► **Şek.12**

Burun adaptörünün içindeki kılavuz çıkıntıları sürücü kılavuzundaki kılavuz çentiklerine tam oturacak şekilde isteğe bağlı burun adaptörünü sürücü kılavuzunun temas ucuna yerleştirin.

► **Şek.13:** 1. İsteğe bağlı burun adaptörü 2. Sürücü kılavuzu 3. Kılavuz çıkıntıları 4. Kılavuz çentikleri

Kanca

⚠DİKKAT: Kancayı takarken kancayı daima vida ile iyice sabitleyin. Sabitlenmezse kanca aletten çıkabilir ve yaralanmaya neden olabilir.

⚠DİKKAT: Asma/montaj parçalarını sadece kullanım amaçları doğrultusunda kullanın. Kullanım amacı dışında kullanmak kaza veya yaralanmaya neden olabilir.

⚠DİKKAT: Kancayı bel kemerine asmayın. Kancanın kazara yerinden çıkması nedeniyle başsız çivi çakma tabancasını düşürmek, istenmeyen atışa sebep olabilir ve kişisel yaralanmalarla sonuçlanabilir.

► Şek.14

Kanca, aletin geçici bir süre asılması için kullanılırdır. Bu kanca, aletin her iki yanına da takılabilir. Kancayı takmak için, onu alet gövdesinin her iki yanındaki oluklardan birine geçirin ve sonra bir vida ile sabitleyin. Çıkarmak için, vidayı gevşetin ve sonra dışarı çekip alın.

► Şek.15: 1. Oluk 2. Kanca 3. Vida

Altıgen anahtarın saklanması

Kullanılmadığı zamanlarda, altıgen anahtarın kaybolmasını önlemek için anahtarı şekilde gösterildiği gibi saklayın.

► Şek.16: 1. Altıgen anahtar

KULLANIM

Güvenlik sisteminin test edilmesi

⚠UYARI: Kullanmadan önce tüm güvenlik sistemlerinin çalışır durumda olduğundan emin olun. Bunun yapılmaması kişisel yaralanmalara sebep olabilir.

► Şek.17: 1. Tetik kilidi düğmesi 2. Anahtar tetik 3. Temas elemanı 4. Hazne

Çalıştırmadan önce olası hatalara karşı güvenlik sistemlerini aşağıda açıklandığı şekilde test edin.

1. Başsız çivileri aletten çıkarın ve hazneyi açık bırakın.
2. Batarya kartuşunu takın ve tetik kilidini serbest bırakın.
3. Anahtar tetiği, temas elemanını malzemeye temas ettirmeden çekin.
4. Anahtar tetiği çekmeden temas elemanını malzemeye temas ettirin.

Yukarıda açıklanan 3 ve 4 numaralı vakalarda alet çalışırsa, güvenlik sistemleri arızalı demektir. Aleti kullanmayı derhal durdurun ve yerel servis merkezinizden yardım isteyin.

Başsız çivilerin çakılması

⚠UYARI: Bu başsız çivi çakma tabancasını elektrik kablolarını sabitlemek için kullanmayın. Elektrik kablolu montajı için tasarlanmamıştır ve elektrik kablolarının yalıtımlarına hasar vererek elektrik çarpmasına veya yangına neden olabilir.

⚠UYARI: Temas elemanını, başsız çivi tam olarak basılana kadar malzemenin üzerinde sıkı bir şekilde tutmaya devam edin. İstenmeyen atış, kişisel yaralanmalara neden olabilir.

⚠DİKKAT: Çalışma sırasında aleti sıkıca tutun.

⚠DİKKAT: Aleti, izin verilen kesintisiz çalışma süresinin üzerinde kullanmayın. Aksi takdirde alette hasarlara neden olarak yaralanmaya yol açabilir.

ÖNEMLİ NOT: Temas elemanı iş parçasına yerleştirilmiş durumdayken anahtar beş saniye kullanılmazsa alet sabitlemeye yeniden başlamaz. Sabitlemeye yeniden başlamak için temas elemanını iş parçasından çekin ve yeniden yerine yerleştirin.

1. Tetik kilidini serbest bırakın.
 2. Temas elemanını malzeme üzerine yerleştirin.
 3. Başsız çivi çakmak için anahtar tetiği tamamen çekin.
 4. Bir sonraki çivi çakmak için parmağınızı anahtar tetikten bir kez çekin ve ardından 2. ve 3. adımları tekrarlayın.
- Şek.18: 1. Anahtar tetik 2. Temas elemanı

Aleti bir sonraki yere sürerken temas elemanını malzemeye basılı tutarak ve anahtar tetiği çekerek de başsız çivileri basabilirsiniz.

► Şek.19

Başsız çivinin üst kısmı iş parçası yüzeyinin üzerinde kaldıysa, başsız çivi çakma tabancasının tepesinden sıkıca tutarak iş parçasına doğru bastırın.

► Şek.20

NOT: Başsız çivi çakma tabancasının tepesinden tuttuğunuz halde başsız çivinin üst kısmı iş parçası yüzeyinin üzerinde kalmaya halen devam ediyorsa, malzeme başsız çivi çakma tabancasına uygun olmayabilir. Başsız çivi çakma tabancasının bu tip malzemeler üzerinde kullanılmaya devam etmesi, başsız çivi çakma tabancasının sürücü mekanizmasına zarar verebilir ve/veya başsız çivi çakma tabancasında sıkışmaya neden olabilir.

Boş çalıştırmaya karşı koruma mekanizması

UYARI: Başsız çivileri yüklemeyen önce parmaklarınızın anahtar tetiğinin veya temas elemanının üzerine yerleşmediğinden ve batarya kartuşunun çıkartılmış olduğundan daima emin olun.

Haznede 0 - 3 adet başsız çivi kaldığında, anahtar tetik artık çekilemez. Bu aşamada, hazneye yeni bir başsız çivi şeridi takın ve anahtar tetik yeniden çekilebilir.

NOT: Boş çalıştırmaya karşı koruma mekanizması etkinleştikten hemen sonra farklı bir uzunluktaki başsız çivileri çakarken, hazneye yeni bir başsız çivi şeridi takın ve önceden kalan tüm başsız çivileri gerekmeden bir malzeme üzerine çakarak boşaltın.

Kalan başsız çivilerin kontrol edilmesi

Kalan başsız çivi miktarını gözleme penceresinden kontrol edebilirsiniz.

Kırmızı göstergesi, kalan çivi miktarı azaldıkça atış ağızına doğru hareket eder.

► **Şek.21:** 1. Gözleme penceresi 2. Göstergesi

Sıkışan başsız çivilerin çıkarılması

UYARI: Sıkışan başsız çivileri çıkarmadan önce tetiğinin serbest bırakıldığından ve batarya kartuşu ile başsız çivilerin çıkarılmış olduğundan daima emin olun.

DİKKAT: Sıkışan başsız çivileri çıplak elle çıkarmayın. Başsız çiviler haznedeki fırlayarak yaralanmaya neden olabilir.

1. Haznede kalan tüm başsız çivileri çıkarın.
2. Sürücü kılavuzu kapağı üzerindeki üç altıgen başlı civatayı altıgen anahtarla çıkarın.

3. Sürücü kılavuzundaki çivi kılavuzu oluklarından sıkışan başsız çivileri çıkarın.

► **Şek.22:** 1. Altıgen başlı civata 2. Sürücü kılavuzu kapağı 3. Temas üst kapağı 4. Sürücü kılavuzu

NOT: Sıkışan başsız çivileri çıkarmakta zorlanırsanız temas üst kapağı üzerindeki iki altıgen başlı civatayı altıgen anahtarla kullanarak gevşetin ve ardından sıkışan başsız çivileri sürücü kılavuzundan çıkarın.

4. Kapakları yerlerine geri koyun ve sürücü kılavuzuna altıgen başlı civatalarla sabitleyin.

ÖNEMLİ NOT: Sıkışmayı giderdikten sonra sürücü kılavuzu üzerindeki kapakların doğru bir şekilde yeniden takıldığından mutlaka emin olun. Sürücü kılavuzu düzgün çalışmazsa bunları altıgen başlı civatalarla yeniden takın.

BAKIM

DİKKAT: Muayene ya da bakım yapmadan önce aletini kapalı ve batarya kartuşunun çıkartılmış olduğundan daima emin olun.

ÖNEMLİ NOT: Benzin, tiner, alkol ve benzeri maddeleri kesinlikle kullanmayın. Renk değişimi, deformasyon veya çatlaklar oluşabilir.

Aleti EMNİYETLİ ve ÇALIŞMAYA HAZIR durumda tutmak için onarımlar, başka her türlü bakım ve ayarlamalar daima Makita yedek parçaları kullanılarak Makita yetkili servis merkezleri veya Fabrikanın Servis Merkezleri tarafından yapılmalıdır.

Hazneyi temizleme

Haznenin içini düzenli aralıklarla temizleyin. Kılavuz oluklarda biriken tüm kir, toz, talaş ve çivi tutkalını hava tutarak veya silerek temizleyin.

► **Şek.23:** 1. Kılavuz olukları

ÖNEMLİ NOT: Kılavuz oluklardaki kir ve toz, başsız çivilerin beslenmesini etkileyerek nadiren boş atışa neden olabilir.

İSTEĞE BAĞLI AKSESUARLAR

DİKKAT: Bu aksesuarlar ve ek parçalar bu el kitabında belirtilen Makita aletiniz ile kullanılmak için tavsiye edilmektedir. Herhangi başka bir aksesuar ya da ek parça kullanılması insanlar için bir yaralanma riski getirebilir. Aksesuarları ya da ek parçaları yalnızca belirtilmiş olan kullanım amaçlarına uygun olarak kullanın.

Bu aksesuarlarla ilgili daha fazla bilgiye ihtiyaç duyarsanız bulunduğunuz yerdeki yetkili Makita servisine başvurun.

- Başsız çiviler
- Burun adaptörü (düz yüzeylerde sabitleme yapmak için)
- Orijinal Makita batarya ve şarj aleti

NOT: Listedeki parçaların bazıları alet paketi içerisinde standart aksesuar olarak dahil edilmiş olabilir. Bunlar ülkeden ülkeye farklılık gösterebilir.

Makita Europe N.V.

Jan-Baptist Vinkstraat 2, 3070 Kortenberg, Belgium

Makita Corporation

3-11-8, Sumiyoshi-cho, Anjo, Aichi 446-8502 Japan

www.makita.com



885942B994
EN, FR, DE, IT, NL,
ES, PT, DA, EL, TR
20211025