



TD00000111
TD00000110

EN	Battery Holder	INSTRUCTION MANUAL	3
PTBR	Porta-bateria	MANUAL DE INSTRUÇÕES	7
FR	Porte-batterie	MANUEL D'INSTRUCTIONS	11
DE	Akkualter	BETRIEBSANLEITUNG	15
IT	Portabatteria	ISTRUZIONI PER L'USO	20
NL	Accuhouder	GEbruIKSAANWIJZING	24
ES	Portabatería	MANUAL DE INSTRUCCIONES	28
PT	Suporte da bateria	MANUAL DE INSTRUÇÕES	32
DA	Batteriholder	BRUGSANVISNING	36
EL	Υποδοχέας μπαταριών	ΕΓΧΕΙΡΙΔΙΟ ΟΔΗΓΙΩΝ	40
TR	Batarya yuvası	KULLANMA KILAVUZU	45
SV	Batterihållare	BRUKSANVISNING	49
NO	Batteriholder	BRUKSANVISNING	53
FI	Akkupidike	KÄYTTÖOHJE	57
LV	Akumulatora turētājs	LIETOŠANAS INSTRUKCIJA	61
LT	Akumulatoriaus laikiklis	NAUDOJIMO INSTRUKCIJA	65
ET	Akuhoidik	KASUTUSJUHEND	69
PL	Uchwyt akumulatora	INSTRUKCJA OBSŁUGI	73
HU	Akkumulátortartó	HASZNÁLATI KÉZIKÖNYV	78
SK	Držiak na akumulátor	NÁVOD NA OBSLUHU	82
CS	Držák akumulátorů	NÁVOD K OBSLUZE	86
SL	Nosilec baterije	NAVODILA ZA UPORABO	90
SQ	Mbajtësi i baterisë	MANUALI I PËRDORIMIT	94
BG	Стойка за акумулаторни батерии	РЪКОВОДСТВО ЗА ЕКСПЛОАТАЦИЯ	98
HR	Držać baterije	PRIRUČNIK S UPUTAMA	103
MK	Држач за батерии	УПАТСТВО ЗА УПОТРЕБА	107
SR	Држач батерије	УПУТСТВО ЗА УПОТРЕБУ	112
RO	Suportul acumulatorului	MANUAL DE INSTRUCȚIUNI	116
UK	Тримач акумулятора	ІНСТРУКЦІЯ З ЕКСПЛУАТАЦІЇ	120
RU	Держатель аккумулятора	РУКОВОДСТВО ПО ЭКСПЛУАТАЦИИ	125
KK	Аккумулятор ұстағышы	ПАЙДАЛАНУ ЖӨНІНДЕГІ НҰСҚАУЛЫҚ	130
ZHCN	電池座	使用说明书	135
ZHTW	電池座	使用說明書	139
KO	배터리 홀더	취급 설명서	143
ID	Dudukan Baterai	PETUNJUK PENGGUNAAN	147
VI	Giá đỡ pin	TÀI LIỆU HƯỚNG DẪN	151
TH	ช่องใส่แบตเตอรี่	คู่มือการใช้งาน	155
MS	Pemegang Bateri	MANUAL ARAHAN	160
FA		نگهدارنده باتری	دفترچه راهنما 166
AR		حامل البطاريات	دليل الإرشادات 169



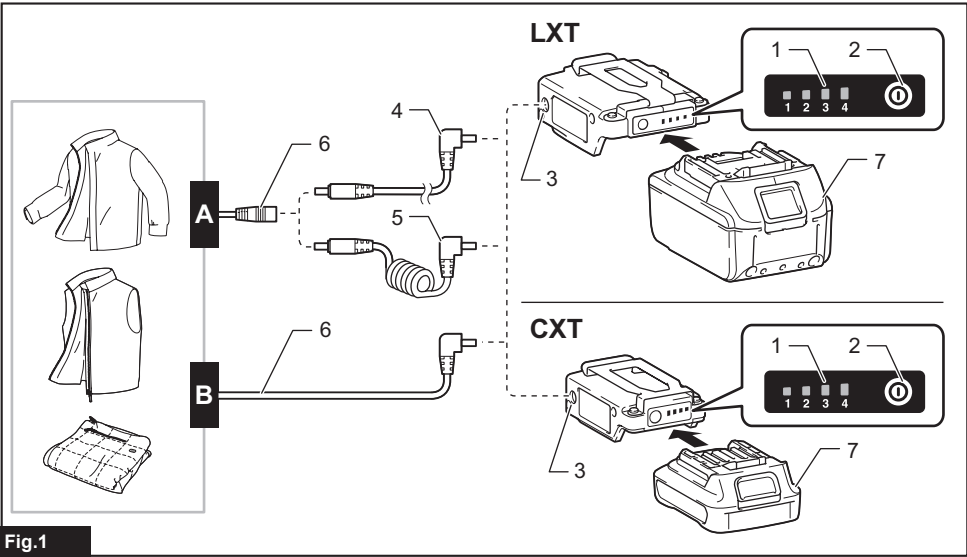


Fig.1

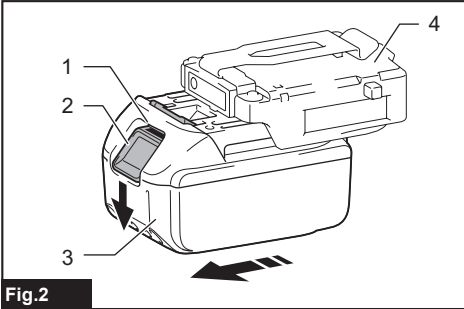


Fig.2

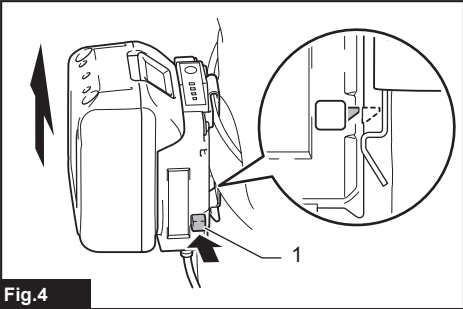


Fig.4

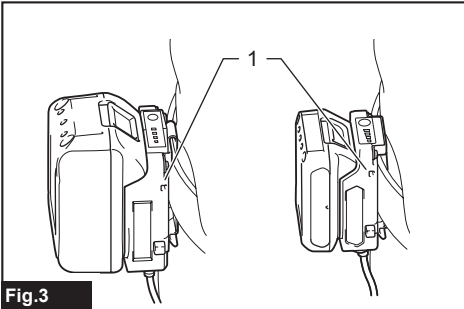


Fig.3

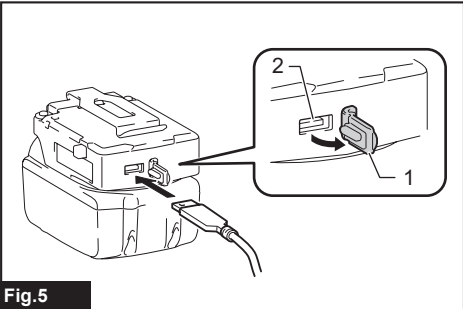


Fig.5

SPECIFICATIONS

Model	TD00000111 Battery holder for LXT battery cartridge	TD00000110 Battery holder for CXT battery cartridge
Rated voltage	D.C. 14.4 V D.C. 18 V	D.C. 10.8 V - 12 V max
Battery cartridge	BL1415N / BL1430B / BL1440 / BL1460B BL1815N / BL1820B / BL1830 / BL1830B / BL1840B / BL1850B / BL1860B	BL1016 / BL1021B / BL1041B
USB power supply port	D.C. 5 V, 2.4 A, Type A	
Dimensions (L x W x H)	100 mm x 78 mm x 39 mm (3-15/16" x 3-1/16" x 1-9/16")	88 mm x 61 mm x 33 mm (3-1/2" x 2-3/8" x 1-5/16")
Net weight	0.14 kg (0.31 lbs)	0.09 kg (0.20 lbs)

- Some of the battery cartridges listed above may not be available depending on your region of residence.

⚠ WARNING: Only use the battery cartridges listed above. Use of any other battery cartridges may cause injury and/or fire.

Symbols

Some of the following symbols are used for the product. Be sure to understand their meaning before use.



Read the instruction manual.



Ni-MH
Li-ion

Only for EU countries
Due to the presence of hazardous components in the equipment, waste electrical and electronic equipment, accumulators and batteries may have a negative impact on the environment and human health. Do not dispose of electrical and electronic appliances or batteries with household waste!
In accordance with the European Directive on waste electrical and electronic equipment and on accumulators and batteries and waste accumulators and batteries, as well as their adaptation to national law, waste electrical equipment, batteries and accumulators should be stored separately and delivered to a separate collection point for municipal waste, operating in accordance with the regulations on environmental protection.
This is indicated by the symbol of the crossed-out wheeled bin placed on the equipment.

SAFETY WARNINGS

⚠ WARNING: Before use, be sure to read the instruction manual of your Makita product to be used with this appliance.

⚠ WARNING: Use this appliance only with the products specified by Makita. Using the appliance with non-compliant products may result in a fire, excessive heat, explosion, or leak of electrolyte.

Electrical safety

1. **Do not handle the cord and battery with wet or greasy hands.**
2. **Do not use a damaged USB cable.**
3. **Do not abuse the cord. Do not use the cord for carrying, pulling or unplugging. Keep the cord away from heat, oil, and sharp edges.**
4. **Do not leave any cord disconnected while the battery power is supplied.** Small children may put the live plug in their mouth and cause injury.
5. **Do not insert nails, wires, or other items into the USB power supply port.** Doing so may cause short circuit, which can cause smoke or a fire.
6. **Do not connect the power source to the USB port. The USB port is only intended for charging lower voltage devices. Always place the cover over the USB port when not charging a lower voltage device.** Otherwise there is risk of fire.
7. **Recharge only with the charger specified by the manufacturer. A charger that is suitable for one type of battery pack may create a risk of fire when used with another battery pack.**
8. **Use appliances only with specifically designed battery packs.** Use of any other battery packs may create a risk of injury and fire.
9. **When battery pack is not in use, keep it away from other metal objects, like paper clips, coins, keys, nails, screws or other small metal objects, that can make a connection from one terminal to another.** Shorting the battery terminals together may cause burns or a fire.
10. **Under abusive conditions, liquid may be ejected from the battery; avoid contact. If contact accidentally occurs, flush with water. If liquid contacts eyes, additionally seek medical help.** Liquid ejected from the battery may cause irritation or burns.

11. **Do not use a battery or the appliance to be used with the battery if they are damaged or modified.** Damaged or modified battery or appliance may exhibit unpredictable behaviour resulting in fire, explosion or risk of injury.
 12. **Do not expose a battery pack to fire or excessive temperature.** Exposure to fire or temperature above 130 °C may cause explosion.
 13. **Follow all charging instructions and do not charge the battery pack outside the temperature range specified in the instructions.** Charging improperly or at temperatures outside the specified range may damage the battery and increase the risk of fire.
 14. **Have servicing performed by a qualified repair person using only identical replacement parts.** This will ensure that the safety of the product is maintained.
 15. **Do not modify or attempt to repair the appliance or the battery pack except as indicated in the instructions for use and care.**
10. **The contained lithium-ion batteries are subject to the Dangerous Goods Legislation requirements.**
For commercial transports e.g. by third parties, forwarding agents, special requirement on packaging and labeling must be observed. For preparation of the item being shipped, consulting an expert for hazardous material is required. Please also observe possibly more detailed national regulations.
Tape or mask off open contacts and pack up the battery in such a manner that it cannot move around in the packaging.

Important safety instructions for battery cartridge

1. **Before using battery cartridge, read all instructions and cautionary markings on (1) battery charger, (2) battery, and (3) product using battery.**
2. **Do not disassemble or tamper with the battery cartridge.** It may result in a fire, excessive heat, or explosion.
3. **If operating time has become excessively shorter, stop operating immediately.** It may result in a risk of overheating, possible burns and even an explosion.
4. **If electrolyte gets into your eyes, rinse them out with clear water and seek medical attention right away.** It may result in loss of your eyesight.
5. **Do not short the battery cartridge:**
 - (1) **Do not touch the terminals with any conductive material.**
 - (2) **Avoid storing battery cartridge in a container with other metal objects such as nails, coins, etc.**
 - (3) **Do not expose battery cartridge to water or rain.**

A battery short can cause a large current flow, overheating, possible burns and even a breakdown.
6. **Do not store and use the tool and battery cartridge in locations where the temperature may reach or exceed 50 °C (122 °F).**
7. **Do not incinerate the battery cartridge even if it is severely damaged or is completely worn out.** The battery cartridge can explode in a fire.
8. **Do not nail, cut, crush, throw, drop the battery cartridge, or hit against a hard object to the battery cartridge.** Such conduct may result in a fire, excessive heat, or explosion.
9. **Do not use a damaged battery.**
11. **When disposing of the battery cartridge, remove it from the tool and dispose of it in a safe place.** Follow your local regulations relating to disposal of battery.
12. **Use the batteries only with the products specified by Makita.** Installing the batteries to non-compliant products may result in a fire, excessive heat, explosion, or leak of electrolyte.
13. **If the tool is not used for a long period of time, the battery must be removed from the tool.**
14. **During and after use, the battery cartridge may take on heat which can cause burns or low temperature burns.** Pay attention to the handling of hot battery cartridges.
15. **Do not touch the terminal of the tool immediately after use as it may get hot enough to cause burns.**
16. **Do not allow chips, dust, or soil stuck into the terminals, holes, and grooves of the battery cartridge.** It may result in poor performance or breakdown of the tool or battery cartridge.
17. **Unless the tool supports the use near high-voltage electrical power lines, do not use the battery cartridge near high-voltage electrical power lines.** It may result in a malfunction or breakdown of the tool or battery cartridge.
18. **Keep the battery away from children.**

SAVE THESE INSTRUCTIONS.

⚠CAUTION: Only use genuine Makita batteries. Use of non-genuine Makita batteries, or batteries that have been altered, may result in the battery bursting causing fires, personal injury and damage. It will also void the Makita warranty for the Makita tool and charger.

Tips for maintaining maximum battery life

1. **Charge the battery cartridge before completely discharged.** Always stop tool operation and charge the battery cartridge when you notice less tool power.
2. **Never recharge a fully charged battery cartridge.** Overcharging shortens the battery service life.
3. **Charge the battery cartridge with room temperature at 10 °C - 40 °C (50 °F - 104 °F).** Let a hot battery cartridge cool down before charging it.
4. **When not using the battery cartridge, remove it from the tool or the charger.**

5. **Charge the battery cartridge if you do not use it for a long period (more than six months).**

NOTE: The shape and location of the socket vary depending on your jacket/vest/blanket.

PARTS DESCRIPTION

This holder can be used for following Makita fan jacket/ vest and heated jacket /vest/blanket.

► Fig.1

Group	Model
A	Fan jacket /vest: DFV210, DFJ206, DFJ207, DFJ210, DFJ211, DFJ212, DFJ213, DFJ214, DFJ216, DFJ304, DFJ305, DFJ310, DFJ311, DFJ405, DFJ407, DFJ410, DFJ411, DFJ416 Heated jacket / vest / blanket: CV102D, DCV202, CJ105D, CJ106D, DCJ205, DCJ206, CB100D, DCB200
B	Fan jacket /vest: DFJ212A, DFJ213A, DFJ214A, DFJ216A, DFJ312A, DFJ416A, DFV210A, DFV214A

1. Power level indicator

When using a fan jacket/vest, the power level is displayed.

NOTE: If you use the fan jackets/vests in group A listed above, the power level indicator 4 will not lights up because their fan units employ 3-step control.

NOTE: If you use the heated jacket/vest/blanket, only the power level indicator 4 will lights up.

2. Power button

To turn on, insert the battery cartridge and then press and hold the power button until the power level indicator lights up.

To change the power level of the fan jacket/vest, press the power button briefly when the power is turned on.

To turn off, press and hold the power button until the power level indicator turns off.

NOTE: To change the warmth of the heated jacket/vest/blanket, press the button on the heated jacket/vest/blanket when it is powered.

3. Power socket

Connect the cable from the jacket/vest/blanket or the adapter cable.

4. Adapter cable for fan jacket/vest (optional accessory)

Use adapter cable when using the products in group A listed above.

5. Adapter cable for heated jacket/vest/blanket (optional accessory)

Use adapter cable when using the products in group A listed above.

6. Power cord of the jacket/vest/blanket

For the products in group A listed above, connect the suitable adapter cable for the fan jacket/vest or heated jacket/vest/blanket.

For the products in group B listed above, connect to the power socket of the battery holder.

7. Battery cartridge (optional accessory)

Insert the battery cartridge to the holder all the way until it locks in place with a small click.

FUNCTIONAL DESCRIPTION

Installing or removing the battery cartridge

CAUTION: Hold the battery holder and the battery cartridge firmly when installing or removing the battery cartridge. Failure to hold the battery holder and the battery cartridge firmly may cause them to slip out of your hands and result in damage to the battery holder and battery cartridge and/or a personal injury.

CAUTION: Always switch off the device before removing the battery cartridge.

► Fig.2: 1. Red indicator 2. Button 3. Battery cartridge 4. Battery holder

To install the battery cartridge, align the tongue on the battery cartridge with the groove in the housing and slip it into place. Insert the battery cartridge all the way until it locks in place with a small click. If you can see the red indicator on the upper side of the button, it is not locked completely.

To remove the battery cartridge, slide it from the battery holder while pressing the button on the front of the cartridge.

CAUTION: Always install the battery cartridge fully until the red indicator cannot be seen. Otherwise the battery cartridge may accidentally fall out of the battery holder, causing injury to you or someone around you.

CAUTION: Do not forcibly install the battery cartridge. If the battery cartridge does not slide in easily, it is not being inserted correctly.

Attaching the battery holder

You can hang the battery holder on your waist belt. To prevent the battery holder from dropping accidentally, attach a strap using the strap hole and secure it.

► Fig.3: 1. Strap hole

The battery holder has an anti-drop function. When removing the battery holder from the belt, pull up the battery holder while pressing the unlock button.

► Fig.4: 1. Unlock button

Connecting USB devices

⚠ CAUTION: Connect only devices that are compatible with the USB power supply port. Not doing so may cause a malfunction of the battery holder.

NOTICE: Before connecting a USB device to the battery holder (with the battery), always back up the data on the USB device. Not doing so may cause a loss of your data.

NOTICE: The battery holder may not supply power to some USB devices.

NOTICE: When not in use or after charging, remove the USB cable and close the cover.

The battery holder (with the battery cartridge) can work as an external power supply for USB devices.

Open the cover and connect a USB cable (not included) to the USB port of the battery holder. Then connect the other end of the cable to the device. To start charging, press and hold the power button until the power level indicator lights up. To stop charging, press and hold the power button until the power level indicator turns off.

► **Fig.5:** 1. Cover 2. USB port

NOTE: The actual output current varies depending on the USB device to be connected.

NOTE: Battery power is consumed while the power button is turned on. Always turn off the switch when not in use.

NOTE: When charging multiple USB devices in succession, wait about 10 seconds after charging of the previous device has completed before beginning to charge the next device.

MAINTENANCE

NOTICE: Never use gasoline, benzine, thinner, alcohol or the like. Discoloration, deformation or cracks may result.

NOTICE: Do not wash the battery holder with water.

- Wipe off dirt, dust, oil, grease, .etc on the housing with clean dry cloth or one dipped in soapy water and tightly wrung out.
- Keep the appliance in a place where it will not be extremely hot, cold or humid.

To maintain product SAFETY and RELIABILITY, repairs, any other maintenance or adjustment should be performed by Makita Authorized or Factory Service Centers, always using Makita replacement parts.

ESPECIFICAÇÕES

Modelo	TD00000111 Porta-bateria para bateria LXT	TD00000110 Porta-bateria para bateria CXT
Tensão nominal	C.C. 14,4 V C.C. 18 V	C.C. 10.8 V - 12 V máx.:
Bateria	BL1415N / BL1430B / BL1440 / BL1460B BL1815N / BL1820B / BL1830 / BL1830B / BL1840B / BL1850B / BL1860B	BL1016 / BL1021B / BL1041B
Porta USB de alimentação	C.C. 5 V, 2,4 A, tipo A	
Dimensões (C x L x A)	100 mm x 78 mm x 39 mm	88 mm x 61 mm x 33 mm
Peso líquido	0,14 kg	0,09 kg

- Algumas das baterias listadas acima podem não estar disponíveis na sua região de residência.

⚠ AVISO: Use somente as baterias listadas acima. O uso de outras baterias pode provocar ferimentos e/ou incêndios.

Símbolos

Alguns dos símbolos a seguir são usados para o produto. Certifique-se de compreender o significado deles antes do uso.



Leia o manual de instruções.



Ni-MH
Li-Ion

Apenas para países da UE
Devido à presença de componentes perigosos nos equipamentos, resíduos de equipamentos elétricos e eletrônicos, acumuladores e baterias podem gerar impactos negativos sobre o meio ambiente e a saúde humana.

Não descarte aparelhos elétricos e eletrônicos ou baterias juntamente com o lixo doméstico!

De acordo com a Diretiva Europeia relativa aos resíduos de equipamentos elétricos e eletrônicos, e a acumuladores, baterias e os resíduos destes, bem como sua adaptação como legislação nacional, resíduos de equipamentos elétricos e eletrônicos, baterias e acumuladores devem ser armazenados separadamente e enviados para um ponto de coleta de resíduos municipais separado, que opere em conformidade com as regulamentações de proteção ambiental.

Isso é indicado pelo símbolo da lixeira com um X afixado no equipamento.

AVISOS DE SEGURANÇA

⚠ AVISO: Antes de usar, certifique-se de ler o manual de instruções do seu produto Makita a ser usado com este aparelho.

⚠ AVISO: Use este aparelho somente com os produtos especificados pela Makita. O uso do aparelho com produtos não compatíveis poderá resultar em incêndio, aquecimento excessivo, explosão ou vazamento de eletrólito.

Segurança elétrica

1. Não manuseie o cabo nem a bateria com as mãos molhadas ou engorduradas.
2. Não utilize cabos USB danificados.
3. Não use o cabo indevidamente. Nunca use o cabo para carregar, puxar ou desconectar o plugue da rede. Mantenha o cabo afastado do calor, óleo e de bordas cortantes.
4. Não deixe nenhum cabo desconectado enquanto a energia da bateria estiver sendo fornecida. Crianças pequenas podem colocar o plugue energizado na boca e se ferir.
5. Não insira pregos, fios ou outros itens na porta USB de alimentação. Fazer isso pode provocar curtos-circuitos, os quais podem gerar fumaça ou incêndios.
6. Não conecte a fonte de alimentação à porta USB. A porta USB se destina somente ao carregamento de dispositivos de baixa tensão. Coloque sempre a tampa sobre a porta USB quando não estiver carregando um dispositivo de baixa tensão. Se isso não for feito, haverá um risco de incêndio.
7. Use somente o carregador especificado pelo fabricante para recarregar. Um carregador adequado para um tipo de bateria pode provocar um risco de incêndio se usado com outro tipo de bateria.

8. Use aparelhos somente com as baterias especificamente designadas. O uso de qualquer outro tipo de bateria pode criar riscos de ferimentos e incêndios.
9. Quando a bateria não estiver em uso, mantenha-a longe de outros objetos metálicos, como cliques, moedas, chaves, pregos, parafusos, etc., que podem conectar um terminal ao outro. O curto-circuito dos terminais da bateria pode causar queimaduras ou incêndio.
10. Sob condições extremas, a bateria pode ejetar líquido; evite contato com tal líquido. Se ocorrer um contato acidental, lave com água. Se o líquido entrar nos olhos, procure também assistência médica. O líquido ejetado pela bateria pode causar irritação e queimaduras.
11. Não use a bateria, ou o aparelho a ser usado com ela, se estiverem danificados ou alterados. Baterias danificadas ou alteradas podem exibir um comportamento imprevisível, resultando em incêndios, explosões ou risco de ferimentos.
12. Não exponha a bateria a chamas ou a temperaturas excessivas. A exposição a chamas ou a temperaturas acima de 130 °C pode causar explosões.
13. Siga todas as instruções de recarga e não recarregue a bateria fora da faixa de temperatura especificada nas instruções. A recarga inadequada, ou a temperaturas fora da faixa especificada, pode danificar a bateria e aumentar o risco de incêndio.
14. Providencie para que a manutenção e os reparos sejam realizados por pessoal qualificado, utilizando somente peças de reposição idênticas. Isto garantirá que a segurança do produto seja mantida.
15. Não altere nem tente reparar o aparelho ou a bateria, exceto conforme indicado nas instruções de uso e cuidados.
- (2) Não guarde a bateria junto com outros objetos metálicos, tais como pregos, moedas, etc.
- (3) Não exponha a bateria à chuva ou água. Um curto-circuito na bateria pode causar sobrecarga de corrente, aquecimento excessivo ou possíveis queimaduras ou avarias.
6. Não guarde nem use a ferramenta e a bateria em locais onde a temperatura possa atingir ou ultrapassar 50°C.
7. Não queime a bateria mesmo se estiver severamente danificada ou gasta. A bateria pode explodir no fogo.
8. Não perfure, corte, amasse, arremesse ou derrube a bateria, nem a atinja com um objeto rígido. Isto poderia resultar em incêndio, aquecimento excessivo ou explosão.
9. Não utilize uma bateria danificada.
10. As baterias de íons de lítio desta máquina estão sujeitas aos requisitos da legislação de produtos perigosos.
Para transportes comerciais, por exemplo por terceiros e agentes de embarque, os requisitos especiais referentes a embalagem e rotulagem devem ser obedecidos.
Para a preparação do item sendo expedido, é necessário consultar um especialista em materiais perigosos. Considere também que as regulamentações nacionais podem ser mais detalhadas e devem ser obedecidas.
Coloque fita ou tape os contatos abertos e embale a bateria de maneira que não se mova dentro da embalagem.
11. Para descartar a bateria, retire-a da ferramenta e descarte-a em um local seguro. Siga as regulamentações locais referentes ao descarte de baterias.
12. Use as baterias somente com os produtos especificados pela Makita. A instalação das baterias com produtos não compatíveis poderá resultar em incêndio, aquecimento excessivo, explosão ou vazamento de eletrólito.
13. A bateria deverá ser retirada da ferramenta caso esta não vá ser usada por um período de tempo prolongado.
14. Durante e após o uso, a bateria pode ficar quente e causar queimaduras normais ou queimaduras de baixa temperatura. Preste atenção ao manusear baterias quentes.
15. Não toque no terminal da ferramenta imediatamente depois de usá-la, uma vez que ele pode ficar quente o bastante para provocar queimaduras.
16. Não permita que aparas, poeira ou solo fiquem presos nos terminais, furos e ranhuras da bateria. Isso poderia resultar no desempenho deficiente ou em avarias da ferramenta ou da bateria.
17. A menos que a ferramenta seja compatível com o uso nas proximidades de linhas elétricas de alta tensão, não a use próximo a estas. Isso poderia resultar em problemas de funcionamento ou em avarias da ferramenta ou da bateria.

Instruções de segurança importantes para o cartucho da bateria

1. Antes de utilizar a bateria, leia todas as instruções e notas de precaução do (1) carregador de bateria, da (2) bateria e do (3) produto usando a bateria.
2. Não desmonte nem adultere a bateria. Isto poderia resultar em incêndio, aquecimento excessivo ou explosão.
3. Se o tempo de operação se tornar excessivamente mais curto, pare imediatamente a operação. Operação nessas condições poderá resultar em superaquecimento, possíveis queimaduras e até explosão.
4. Caso caia eletrólitos em seus olhos, lave-os com água limpa e procure assistência de um médico imediatamente. Esse acidente pode resultar na perda de visão.
5. Não provoque um curto-circuito na bateria:
 - (1) Não toque nos terminais com nenhum material condutor.

18. Mantenha a bateria fora do alcance de crianças.

GUARDE ESTAS INSTRUÇÕES.

⚠️ PRECAUÇÃO: Use somente baterias Makita originais. O uso de baterias Makita não originais ou baterias que foram alteradas pode causar a explosão da bateria e resultar em incêndio, ferimentos às pessoas na área e danos aos equipamentos. O uso de baterias não originais cancela a garantia Makita tanto para a ferramenta quanto para o carregador da bateria.

Dicas para manter a vida útil máxima da bateria

1. Carregue a bateria antes de uma descarga completa. Sempre pare a operação da ferramenta e carregue a bateria quando notar perda de potência.
2. Nunca recarregue uma bateria completamente carregada. O carregamento demasiado diminuirá a vida útil da bateria.
3. Carregue a bateria em uma temperatura ambiente entre 10°C e 40°C. Deixe a bateria esfriar antes de carregá-la.
4. Quando não estiver usando a bateria, remova-a da ferramenta ou do carregador.
5. Carregue a bateria se não utilizá-la por um longo período de tempo (mais de seis meses).

DESCRIÇÃO DAS PEÇAS

Este porta-baterias por ser usado com as jaquetas/coletes ventilados ou jaquetas/coletes/mantas térmicas da Makita a seguir.

► Fig.1

Grupo	Modelo
A	Jaqueta / colete ventilado: DFV210, DFJ206, DFJ207, DFJ210, DFJ211, DFJ212, DFJ213, DFJ214, DFJ216, DFJ304, DFJ305, DFJ310, DFJ311, DFJ405, DFJ407, DFJ410, DFJ411, DFJ416 Jaqueta / colete / manta térmica: CV102D, DCV202, CJ105D, CJ106D, DCJ205, DCJ206, CB100D, DCB200
B	Jaqueta / colete ventilado: DFJ212A, DFJ213A, DFJ214A, DFJ216A, DFJ312A, DFJ416A, DFV210A, DFV214A

1. Indicador de nível de potência

Quando uma jaqueta/colete ventilado é usado, o nível de potência é exibido.

NOTA: Se você usar as jaquetas/coletes ventilados do grupo A listados acima, a indicação de nível de potência 4 não acenderá, pois os ventiladores desses produtos empregam um controle de 3 níveis.

NOTA: Se você usar uma jaqueta/colete/manta térmica, somente a indicação de potência 4 acenderá.

2. Botão liga/desliga

Para ligar, insira a bateria, e pressione e mantenha pressionado o botão liga/desliga até o indicador de nível de potência acender.

Para alterar o nível de potência de uma jaqueta/colete ventilado, pressione o botão liga/desliga brevemente quando a alimentação for ligada.

Para desligar, pressione e mantenha pressionado o botão liga/desliga até o indicador de nível de potência apagar.

NOTA: Para alterar o nível de aquecimento de uma jaqueta/colete/manta térmica, pressione o botão na jaqueta/colete/manta térmica quando for ligada.

3. Tomada

Conecte o cabo da jaqueta/colete/manta térmica ou o cabo-adaptador.

4. Cabo-adaptador para jaquetas/coletes ventilados (acessório opcional)

Use o cabo-adaptador quando utilizar produtos do grupo A listados acima.

5. Cabo-adaptador para jaquetas/coletes/mantas térmicas (acessório opcional)

Use o cabo-adaptador quando utilizar produtos do grupo A listados acima.

6. Cabo de alimentação de jaquetas/coletes/mantas

Para os produtos do grupo A listados acima, conecte o cabo-adaptador adequado para jaquetas/coletes ventilados ou jaquetas/coletes/mantas térmicas.

Para os produtos do grupo B listados acima, conecte à tomada do porta-bateria.

NOTA: O formato e a localização da tomada variam de acordo com sua jaqueta/colete/manta.

7. Bateria (acessório opcional)

Insira a bateria no suporte até o fim, até encaixar em posição com um pequeno clique.

DESCRIÇÃO FUNCIONAL

Como instalar ou remover a bateria

⚠️ PRECAUÇÃO: Segure o porta-bateria e a bateria com firmeza ao instalar ou remover a bateria. Se o porta-bateria e a bateria não forem segurados com firmeza, eles podem escorregar de suas mãos e sofrer danos ou causar ferimentos pessoais.

⚠️ PRECAUÇÃO: Desligue sempre o aparelho antes de retirar a bateria.

► Fig.2: 1. Indicador vermelho 2. Botão 3. Bateria 4. Porta-bateria

Para instalar a bateria, alinhe a lingueta da bateria à ranhura no compartimento e deslize-a em posição. Insira a bateria até o fim, até encaixar em posição com um pequeno clique. Se você puder ver o indicador vermelho no lado superior do botão, ela não está completamente encaixada.

Para remover a bateria, deslize-a para fora do porta-bateria enquanto pressiona o botão na frente da bateria.

⚠️ PRECAUÇÃO: Instale sempre a bateria até o fim, até que o indicador vermelho não possa mais ser visto. Caso contrário, a bateria poderá acidentalmente se desprender do porta-bateria e provocar ferimentos em você ou em pessoas perto de você.

⚠️ PRECAUÇÃO: Não force a bateria para instalá-la. Se a bateria não estiver deslizando com facilidade, ela não está inserida corretamente.

Como prender o porta-bateria

O porta-bateria pode ser pendurado em seu cinto. Para impedir que o porta-bateria caia acidentalmente, coloque uma cinta usando o furo para cinta e prenda-a.

► **Fig.3:** 1. Furo para cinta

O porta-bateria tem um recurso antiqueda. Ao remover o porta-bateria do cinto, puxe o porta-bateria para cima enquanto pressiona o botão de destravamento.

► **Fig.4:** 1. Botão de destravamento

Como conectar dispositivos USB

⚠️ PRECAUÇÃO: Conecte somente dispositivos compatíveis com a porta USB de alimentação. Se isso não for feito, o funcionamento do porta-bateria poderá ser prejudicado.

OBSERVAÇÃO: Antes de conectar um dispositivo USB ao porta-bateria (com a bateria), faça sempre um backup dos dados existentes no dispositivo USB. Não fazer isso pode levar à perda de dados.

OBSERVAÇÃO: O porta-bateria pode não ser capaz de alimentar alguns dispositivos USB.

OBSERVAÇÃO: Quando não estiver usando, ou após a recarga, remova o cabo USB e feche a tampa.

O porta-bateria (com a bateria) pode funcionar como uma fonte de alimentação externa para dispositivos USB.

Abra a tampa e conecte um cabo USB (não incluído) à porta USB do porta-bateria. Conecte a outra ponta do cabo ao dispositivo. Para iniciar o carregamento, pressione e mantenha pressionado o botão liga/desliga até o indicador de nível de potência acender. Para interromper o carregamento, pressione e mantenha pressionado o botão liga/desliga até o indicador de nível de potência apagar.

► **Fig.5:** 1. Tampa 2. Porta USB

NOTA: A corrente de saída efetiva varia de acordo com o dispositivo USB a ser conectado.

NOTA: A energia da bateria é consumida enquanto o botão liga/desliga está ligado. Desligue sempre o interruptor quando não estiver usando.

NOTA: Ao recarregar vários dispositivos USB em sequência, aguarde 10 segundos depois que a recarga de um dispositivo tenha sido concluída para então recarregar o próximo dispositivo.

MANUTENÇÃO

OBSERVAÇÃO: Nunca use gasolina, benzina, tiner, álcool ou produtos semelhantes. Isso poderia resultar na descoloração, deformação ou formação de trincas.

OBSERVAÇÃO: Não lave o porta-bateria com água.

- Limpe a sujeira, poeira, óleos, graxas, etc. da caixa usando um pano limpo seco ou mergulhado em água e sabão e depois bem torcido.
- Mantenha o aparelho em um local onde não seja submetido a calor, frio ou umidade extremos.

Para manter a SEGURANÇA e a CONFIABILIDADE do produto, os reparos e qualquer outra manutenção ou ajustes devem ser feitos pelos centros autorizados de assistência técnica da Makita ou na própria fábrica da Makita, utilizando sempre peças originais Makita.

SPÉCIFICATIONS

Modèle	TD0000111 Porte-batterie pour batterie LXT	TD0000110 Porte-batterie pour batterie CXT
Tension nominale	C.C. 14,4 V C.C. 18 V	C.C. 10,8 V - 12 V max.
Batterie	BL1415N / BL1430B / BL1440 / BL1460B BL1815N / BL1820B / BL1830 / BL1830B / BL1840B / BL1850B / BL1860B	BL1016 / BL1021B / BL1041B
Port USB	C.C. 5 V, 2,4 A, Type A	
Dimensions (L x l x H)	100 mm x 78 mm x 39 mm (3-15/16" x 3-1/16" x 1-9/16")	88 mm x 61 mm x 33 mm (3-1/2" x 2-3/8" x 1-5/16")
Poids net	0,14 kg (0,31 lbs)	0,09 kg (0,20 lbs)

- Certaines batteries répertoriées ci-dessus peuvent ne pas être disponibles selon la région où vous résidez.

⚠ AVERTISSEMENT : N'utilisez que les batteries répertoriées ci-dessus. L'utilisation de n'importe quelle autre batterie peut provoquer des blessures et/ou un incendie.

Symboles

Certains des symboles suivants sont utilisés pour le produit. Veuillez à comprendre leur signification avant toute utilisation.



Lire le mode d'emploi.



Ni-MH
Li-ion

Pour les pays de l'Union européenne uniquement

En raison de la présence de composants dangereux dans l'équipement, les déchets d'équipements électriques et électroniques, les accumulateurs et les batteries peuvent avoir un impact négatif sur l'environnement et la santé humaine.

Ne jetez pas les appareils électriques et électroniques ou les batteries avec les ordures ménagères !

Conformément à la directive européenne relative aux déchets d'équipements électriques et électroniques et aux déchets d'accumulateurs et de batteries, ainsi qu'à son adaptation à la législation nationale, les déchets d'équipements électriques, les batteries et les accumulateurs doivent être collectés séparément et déposés dans un point de collecte distinct pour déchets urbains, conformément aux réglementations en matière de protection de l'environnement.

Cela est indiqué par le symbole de la poubelle à roulettes barrée sur l'équipement.

CONSIGNES DE SÉCURITÉ

⚠ AVERTISSEMENT : Avant utilisation, lisez impérativement le manuel d'instructions de votre produit Makita qui sera utilisé avec cet appareil.

⚠ AVERTISSEMENT : Utilisez cet appareil uniquement avec les produits spécifiés par Makita. L'utilisation de l'appareil avec des produits non conformes peut provoquer un incendie, une chaleur excessive, une explosion ou une fuite de l'électrolyte.

Sécurité électrique

1. **Ne manipulez pas le cordon et la batterie avec les mains mouillées ou grasses.**
2. **N'utilisez pas le câble USB s'il est endommagé.**
3. **Ne maltraitez pas le cordon. Ne transportez pas l'appareil par son cordon, ni ne tirez sur le cordon pour déplacer ou débrancher l'appareil. Tenez le cordon à l'écart de la chaleur, de l'huile et de bords tranchants.**
4. **Ne laissez pas de cordons débranchés pendant le fonctionnement sur batterie.** Les enfants en bas âge peuvent mettre la fiche d'un cordon sous tension dans leur bouche et se blesser.
5. **N'insérez pas de clous, fils métalliques ou autres objets dans le port USB.** Vous risqueriez de provoquer un court-circuit, pouvant entraîner un dégagement de fumée ou un incendie.

6. **Ne raccordez pas la source d'alimentation au port USB. Le port USB est uniquement destiné au chargement de dispositifs basse tension. Placez toujours le couvercle sur le port USB lorsque vous ne chargez pas de dispositif basse tension.** Cela présente autrement un risque d'incendie.
7. **Rechargez la batterie uniquement avec le chargeur spécifié par le fabricant. Un chargeur prévu pour un type de batterie peut présenter un risque d'incendie s'il est utilisé avec une autre batterie.**
8. **Utilisez un appareil uniquement avec la batterie spécifiquement indiquée.** L'utilisation de toute autre batterie peut présenter un risque de blessure et d'incendie.
9. **Lorsque vous n'utilisez pas la batterie, tenez-la à l'écart des objets métalliques, comme des trombones, pièces de monnaie, clés, clous, vis ou autres petits objets métalliques, susceptibles de créer une connexion entre deux bornes.** Court-circuiter les bornes d'une batterie entre elles peut provoquer des brûlures ou un incendie.
10. **Dans des conditions d'utilisation inadéquate, il peut y avoir une fuite de l'électrolyte de la batterie. Le cas échéant, évitez tout contact avec ce liquide. En cas de contact accidentel, rincez à l'eau. Si le liquide pénètre dans les yeux, consultez par ailleurs un médecin. Le liquide s'échappant de la batterie peut provoquer une irritation ou des brûlures.**
11. **N'utilisez pas une batterie ou l'appareil qui sera utilisé avec la batterie s'ils sont endommagés ou modifiés.** Une batterie ou un appareil endommagés ou modifiés peuvent avoir un comportement imprévisible susceptible d'entraîner un incendie, une explosion ou des blessures.
12. **N'exposez pas la batterie au feu ou à une température excessive.** L'exposition au feu ou à une température supérieure à 130 °C peut provoquer une explosion.
13. **Respectez toutes les instructions de charge et ne chargez pas la batterie en dehors de la plage de température indiquée dans les instructions.** Une charge incorrecte ou à une température en dehors de la plage indiquée peut endommager la batterie et augmenter le risque d'incendie.
14. **Confiez la réparation de votre produit à un réparateur qualifié qui utilise uniquement des pièces de rechange identiques.** La sécurité du produit en sera ainsi préservée.
15. **Ne modifiez pas et n'essayez pas de réparer l'appareil ou la batterie sauf comme indiqué dans les instructions d'utilisation et d'entretien.**
2. **Ne désassemblez pas et ne modifiez pas la batterie.** Cela pourrait entraîner un incendie, une chaleur excessive ou une explosion.
3. **Cessez immédiatement l'utilisation si le temps de fonctionnement devient excessivement court. Il y a un risque de surchauffe, de brûlures, voire d'explosion.**
4. **Si l'électrolyte pénètre dans vos yeux, rincez-les à l'eau claire et consultez immédiatement un médecin. Il y a un risque de perte de la vue.**
5. **Ne court-circuitez pas la batterie :**
 - (1) **Ne touchez les bornes avec aucun matériau conducteur.**
 - (2) **Évitez de ranger la batterie dans un conteneur avec d'autres objets métalliques, par exemple des clous, des pièces de monnaie, etc.**
 - (3) **N'exposez pas la batterie à l'eau ou à la pluie.**

Un court-circuit de la batterie peut provoquer une intensité de courant élevée, une surchauffe, parfois des brûlures et même une panne.
6. **Ne rangez ni n'utilisez l'outil et la batterie dans un endroit où la température risque d'atteindre ou de dépasser 50 °C.**
7. **Ne jetez pas la batterie au feu même si elle est sérieusement endommagée ou complètement épuisée. La batterie peut exploser au contact du feu.**
8. **Abstenez-vous de clouer, couper, écraser, jeter, laisser tomber la batterie, ou de la heurter contre un objet dur.** Cela pourrait entraîner un incendie, une chaleur excessive ou une explosion.
9. **N'utilisez pas la batterie si elle est endommagée.**
10. **Les batteries au lithium-ion contenues sont soumises aux exigences de la législation sur les marchandises dangereuses.**

Lors du transport commercial par des tierces parties ou des transitaires par exemple, des exigences spécifiques en matière d'étiquetage et d'emballage doivent être respectées.

Pour la préparation de l'article expédié, il est nécessaire de consulter un expert en matériel dangereux. Veuillez également respecter les réglementations nationales susceptibles d'être plus détaillées.

Recouvrez les contacts exposés avec du ruban adhésif ou du ruban de masquage et emballez la batterie de telle sorte qu'elle ne puisse pas bouger dans l'emballage.
11. **Lors de la mise au rebut de la batterie, retirez-la de l'outil et jetez-la en lieu sûr. Suivez les réglementations locales en matière de mise au rebut des batteries.**
12. **Utilisez les batteries uniquement avec les produits spécifiés par Makita.** L'insertion de batteries dans des produits non conformes peut provoquer un incendie, une chaleur excessive, une explosion ou une fuite de l'électrolyte.

Consignes de sécurité importantes pour la batterie

1. **Avant d'utiliser la batterie, lisez toutes les instructions et précautions relatives (1) au chargeur de batterie, (2) à la batterie, et (3) au produit utilisant la batterie.**

13. Lorsque vous n'utilisez pas l'outil pendant une période prolongée, la batterie doit être retirée de l'outil.
14. Pendant et après l'utilisation, la batterie peut chauffer, ce qui peut entraîner des brûlures, y compris en cas de température relativement basse. Manipulez les batteries chaudes avec précaution.
15. Ne touchez pas la borne de l'outil immédiatement après utilisation car elle peut être assez chaude pour provoquer des brûlures.
16. Évitez que des copeaux, de la poussière ou du sol adhèrent aux bornes, aux trous et aux rainures de la batterie. Cela pourrait réduire les performances ou casser l'outil ou la batterie.
17. À moins que l'outil prenne en charge un tel usage, n'utilisez pas la batterie à proximité de lignes électriques haute tension. Cela pourrait entraîner un dysfonctionnement ou casser l'outil ou la batterie.
18. Conservez la batterie hors de portée des enfants.

CONSERVEZ CES INSTRUCTIONS.

⚠ ATTENTION : N'utilisez que des batteries Makita d'origine. L'utilisation de batteries de marque autre que Makita ou de batteries modifiées peut provoquer l'explosion des batteries, ce qui présente un risque d'incendie, de dommages matériels et corporels. Cela annulera également la garantie Makita pour l'outil et le chargeur Makita.

Conseils pour assurer la durée de vie optimale de la batterie

1. Chargez la batterie avant qu'elle ne soit complètement déchargée. Arrêtez toujours l'outil et rechargez la batterie quand vous remarquez que la puissance de l'outil diminue.
2. Ne rechargez jamais une batterie complètement chargée. La surcharge réduit la durée de service de la batterie.
3. Chargez la batterie à une température ambiante comprise entre 10 °C et 40 °C. Avant de charger une batterie chaude, laissez-la refroidir.
4. Lorsque vous n'utilisez pas la batterie, retirez-la de l'outil ou du chargeur.
5. Rechargez la batterie si elle est restée inutilisée pendant une période prolongée (plus de six mois).

DESCRIPTION DES PIÈCES

Ce porte-batterie peut être utilisé avec le blouson/blouson sans manche ventilé et le blouson/veste/couverture chauffant(e) Makita.

► Fig.1

Groupe	Modèle
A	Blouson/blouson sans manche ventilé : DFV210, DFJ206, DFJ207, DFJ210, DFJ211, DFJ212, DFJ213, DFJ214, DFJ216, DFJ304, DFJ305, DFJ310, DFJ311, DFJ405, DFJ407, DFJ410, DFJ411, DFJ416 Blouson/veste/couverture chauffant(e) : CV102D, DCV202, CJ105D, CJ106D, DCJ205, DCJ206, CB100D, DCB200
B	Blouson/blouson sans manche ventilé : DFJ212A, DFJ213A, DFJ214A, DFJ216A, DFJ312A, DFJ416A, DFV210A, DFV214A

1. Indicateur de niveau de la puissance

Lorsque vous utilisez un blouson/blouson sans manche ventilé, le niveau de la puissance est affiché.

NOTE : Si vous utilisez les blousons/blousons sans manche ventilés du groupe A répertoriés ci-dessus, l'indicateur de niveau de la puissance 4 ne s'allumera pas, car leur ventilateur utilise un contrôle en trois étapes.

NOTE : Si vous utilisez le blouson/veste/couverture chauffant(e), seul l'indicateur de niveau de la puissance 4 s'allumera.

2. Bouton d'alimentation

Pour l'allumer, insérez la batterie, puis maintenez enfoncé le bouton d'alimentation jusqu'à ce que l'indicateur de niveau de la puissance s'allume.

Pour changer le niveau de la puissance du blouson/blouson sans manche ventilé, appuyez brièvement sur le bouton d'alimentation lorsqu'il est allumé.

Pour l'éteindre, maintenez enfoncé le bouton d'alimentation jusqu'à ce que l'indicateur de niveau de la puissance s'éteigne.

NOTE : Pour modifier la chaleur du blouson/veste/couverture chauffant(e), appuyez sur le bouton sur le blouson/veste/couverture chauffant(e) allumé(e).

3. Prise de courant

Branchez le câble du blouson/veste/couverture ou le câble de l'adaptateur.

4. Câble de l'adaptateur pour blouson/blouson sans manche ventilé (accessoire en option)

Utilisez le câble de l'adaptateur lorsque vous utilisez les produits du groupe A répertoriés ci-dessus.

5. Câble de l'adaptateur pour blouson/veste/couverture chauffant(e) (accessoire en option)

Utilisez le câble de l'adaptateur lorsque vous utilisez les produits du groupe A répertoriés ci-dessus.

6. Cordon d'alimentation du blouson/veste/couverture

Pour les produits du groupe A répertoriés ci-dessus, connectez le câble de l'adaptateur adéquat pour le blouson/blouson sans manche ventilé ou le blouson/veste/couverture chauffant(e).

Pour les produits du groupe B répertoriés ci-dessus, connectez la prise de courant du porte-batterie.

NOTE : La forme et l'emplacement de la prise dépendent de votre blouson/veste/couverture.

7. Batterie (accessoire en option)

Insérez la batterie à fond dans le porte-batterie jusqu'à ce qu'elle se verrouille en place avec un léger déclic.

DESCRIPTION DU FONCTIONNEMENT

Mise en place ou retrait de la batterie

⚠ ATTENTION : Tenez fermement le porte-batterie et la batterie lors de la mise en place ou du retrait de la batterie. Si vous ne tenez pas fermement le porte-batterie et la batterie, ils peuvent vous glisser des mains, et être endommagés et/ou vous blesser.

⚠ ATTENTION : Éteignez toujours l'appareil avant de retirer la batterie.

► **Fig.2:** 1. Voyant rouge 2. Bouton 3. Batterie
4. Porte-batterie

Pour mettre en place la batterie, alignez la languette sur la batterie avec la rainure sur le compartiment et insérez-la. Insérez la batterie à fond jusqu'à ce qu'elle se verrouille en place avec un léger déclic. Si la marque rouge sur le dessus du bouton est visible, cela signifie qu'elle n'est pas bien verrouillée.

Pour retirer la batterie, faites-la glisser hors du porte-batterie tout en appuyant sur le bouton à l'avant de la batterie.

⚠ ATTENTION : Insérez toujours la batterie à fond, jusqu'à ce que la marque rouge ne soit plus visible. Autrement, la batterie pourrait tomber accidentellement du porte-batterie, au risque de vous blesser ou de blesser quelqu'un se trouvant près de vous.

⚠ ATTENTION : Ne forcez pas pour insérer la batterie. Si la batterie ne glisse pas facilement, c'est que vous ne l'insérez pas correctement.

Fixation du porte-batterie

Vous pouvez accrocher le porte-batterie à votre ceinture.

Pour éviter que le porte-batterie tombe accidentellement, attachez une courroie à l'orifice pour courroie et serrez-la.

► **Fig.3:** 1. Orifice pour courroie

Le porte-batterie est pourvu d'une fonction anti-chute. Lorsque vous retirez le porte-batterie de la ceinture, tirez-le vers le haut tout en appuyant sur le bouton de déverrouillage.

► **Fig.4:** 1. Bouton de déverrouillage

Connexion de dispositifs USB

⚠ ATTENTION : Connectez uniquement des dispositifs compatibles avec le port USB. Vous risqueriez autrement de provoquer un dysfonctionnement du porte-batterie.

REMARQUE : Avant de connecter un dispositif USB au porte-batterie (avec la batterie en place), sauvegardez toujours les données du dispositif USB. Vous risqueriez autrement de perdre vos données.

REMARQUE : Le porte-batterie peut ne pas fournir de courant à certains dispositifs USB.

REMARQUE : Lorsque vous ne l'utilisez pas ou après la charge, retirez le câble USB et fermez le couvercle.

Le porte-batterie (avec la batterie en place) peut servir de source d'alimentation externe pour des dispositifs USB.

Ouvrez le couvercle et branchez un câble USB (non fourni) sur le port USB du porte-batterie. Puis, raccordez l'autre extrémité du câble à l'appareil. Pour commencer la charge, maintenez enfoncé le bouton d'alimentation jusqu'à ce que l'indicateur de niveau de la puissance s'allume. Pour arrêter la charge, maintenez enfoncé le bouton d'alimentation jusqu'à ce que l'indicateur de niveau de la puissance s'éteigne.

► **Fig.5:** 1. Couvercle 2. Port USB

NOTE : Le courant de sortie réel dépend du dispositif USB à raccorder.

NOTE : La batterie se décharge pendant que le bouton d'alimentation est placé sur Marche. Placez toujours le bouton sur Arrêt lorsque vous ne l'utilisez pas.

NOTE : Lorsque vous chargez plusieurs dispositifs USB l'un après l'autre, attendez environ 10 secondes après le chargement complet du dispositif précédent avant de charger le suivant.

ENTRETIEN

REMARQUE : N'utilisez jamais d'essence, benzine, diluant, alcool ou autre produit similaire. Ces produits présentent un risque de décoloration, de déformation ou de fissuration.

REMARQUE : Ne lavez pas le porte-batterie avec de l'eau.

- Essuyez la saleté, la poussière, l'huile, la graisse, etc., sur le logement avec un chiffon sec propre ou un chiffon imbibé d'eau savonneuse et légèrement essoré.
- Conservez l'appareil dans un endroit où il ne sera pas extrêmement chaud, froid ou humide.

Pour assurer la SÉCURITÉ et la FIABILITÉ du produit, toute réparation, tout travail d'entretien ou de réglage doivent être effectués par un centre d'entretien Makita agréé, avec des pièces de rechange Makita.

TECHNISCHE DATEN

Modell	TD00000111 Akkualter für LXT-Akku	TD00000110 Akkualter für CXT-Akku
Nennspannung	D.C. 14,4 V D.C. 18 V	D.C. 10,8 V - 12 V max.
Akku	BL1415N / BL1430B / BL1440 / BL1460B BL1815N / BL1820B / BL1830 / BL1830B / BL1840B / BL1850B / BL1860B	BL1016 / BL1021B / BL1041B
USB-Stromversorgungsanschluss	D.C. 5 V, 2,4 A, Typ A	
Abmessungen (L x B x H)	100 mm x 78 mm x 39 mm	88 mm x 61 mm x 33 mm
Nettogewicht	0,14 kg	0,09 kg

- Einige der oben aufgelisteten Akkus sind je nach Ihrem Wohngebiet eventuell nicht erhältlich.

⚠️ WARNUNG: Verwenden Sie nur die oben aufgeführten Akkus. Bei Verwendung irgendwelcher anderer Akkus besteht Verletzungs- und/oder Brandgefahr.

Symbole

Einige der folgenden Symbole werden für das Produkt verwendet. Machen Sie sich vor der Benutzung mit ihrer Bedeutung vertraut.



Betriebsanleitung lesen.



Ni-MH
Li-Ion

Nur für EU-Länder
Aufgrund des Vorhandenseins gefährlicher Komponenten in der Ausrüstung können Elektro- und Elektronik-Altgeräte, Akkumulatoren und Batterien sich negativ auf die Umwelt und die menschliche Gesundheit auswirken.
Entsorgen Sie Elektro- und Elektronikgeräte oder Batterien nicht mit dem Hausmüll!
In Übereinstimmung mit der Europäischen Richtlinie über Elektro- und Elektronik-Altgeräte, Akkumulatoren und Batterien, verbrauchte Akkumulatoren und Batterien sowie ihrer Anpassung an nationales Recht sollten Elektro-Altgeräte, Batterien und Akkumulatoren gemäß den Umweltschutzbestimmungen getrennt gelagert und zu einer getrennten Sammelstelle für Siedlungsabfälle geliefert werden.
Dies wird durch das am Gerät angebrachte Symbol der durchgestrichenen Abfalltonne auf Rädern angezeigt.

SICHERHEITSWARNUNGEN

⚠️ WARNUNG: Lesen Sie vor Gebrauch unbedingt die Betriebsanleitung Ihres Makita-Produkts, das mit diesem Gerät zu benutzen ist, durch.

⚠️ WARNUNG: Verwenden Sie dieses Gerät nur mit den von Makita angegebenen Produkten. Die Benutzung des Gerätes mit nicht konformen Produkten kann zu einem Brand, übermäßiger Hitzebildung, einer Explosion oder Auslaufen von Elektrolyt führen.

Elektrische Sicherheit

1. Fassen Sie das Kabel und den Akku nicht mit nassen oder fettigen Händen an.
2. Benutzen Sie kein beschädigtes USB-Kabel.
3. Missbrauchen Sie das Kabel nicht. Benutzen Sie das Kabel nicht zum Tragen, Ziehen oder Abtrennen. Halten Sie das Kabel von Hitze, Öl und scharfen Kanten fern.
4. Lassen Sie kein Kabel abgetrennt, während Akkustrom zugeführt wird. Es könnte zu Verletzungen kommen, falls kleine Kinder den Strom führenden Stecker in den Mund stecken.
5. Stecken Sie keine Nägel, Drähte oder andere Gegenstände in den USB-Stromversorgungsanschluss. Anderenfalls kann es zu einem Kurzschluss kommen, der Rauch oder einen Brand verursachen kann.
6. Schließen Sie die Stromquelle nicht an den USB-Anschluss an. Der USB-Anschluss ist nur zum Laden von Niederspannungsgeräten vorgesehen. Bringen Sie stets die Abdeckung am USB-Anschluss an, wenn Sie kein Niederspannungsgerät laden. Anderenfalls besteht Brandgefahr.

7. **Laden Sie den Akku nur mit dem vom Hersteller vorgeschriebenen Ladegerät. Ein Ladegerät, das für einen bestimmten Akkutyp geeignet ist, kann bei Verwendung mit einem anderen Akku eine Brandgefahr darstellen.**
8. **Benutzen Sie Geräte nur mit den ausdrücklich vorgeschriebenen Akkus.** Bei Verwendung irgendwelcher anderer Akkus besteht Verletzungs- und Brandgefahr.
9. **Bewahren Sie den Akku bei Nichtgebrauch nicht zusammen mit Metallgegenständen, wie Büroklammern, Münzen, Schlüsseln, Nägeln, Schrauben, und anderen kleinen Metallteilen auf, welche die Kontakte kurzschließen können.** Kurzschließen der Akkukontakte kann Verbrennungen oder einen Brand verursachen.
10. **Bei Missbrauch kann Flüssigkeit aus dem Akku austreten. Vermeiden Sie Kontakt mit dieser Flüssigkeit. Falls Sie versehentlich mit der Flüssigkeit in Berührung kommen, spülen Sie die betroffenen Stellen mit Wasser ab. Falls die Flüssigkeit in die Augen gelangt, suchen Sie zusätzlich ärztliche Hilfe auf.** Die vom Akku austretende Flüssigkeit kann Hautreizungen oder Verätzungen verursachen.
11. **Benutzen Sie einen Akku oder das mit dem Akku zu benutzende Gerät nicht, falls sie beschädigt oder modifiziert sind.** Beschädigte oder modifizierte Akkus oder Geräte können unvorhersehbares Verhalten zeigen, das zu einem Brand, einer Explosion oder Verletzungsgefahr führen kann.
12. **Setzen Sie einen Akku nicht Feuer oder übermäßigen Temperaturen aus.** Bei Einwirkung von Feuer oder Temperaturen über 130 °C kann es zu einer Explosion kommen.
13. **Befolgen Sie alle Ladeanweisungen, und laden Sie den Akku nicht außerhalb des in den Anweisungen angegebenen Temperaturbereichs.** Wird der Ladevorgang unsachgemäß oder bei Temperaturen außerhalb des angegebenen Bereichs durchgeführt, kann es zu einer Beschädigung des Akkus und erhöhter Brandgefahr kommen.
14. **Lassen Sie Wartungsarbeiten nur von einem qualifizierten Wartungstechniker unter Verwendung identischer Ersatzteile durchführen.** Dadurch wird die Aufrechterhaltung der Sicherheit des Produkts gewährleistet.
15. **Unterlassen Sie jegliche Modifizierung oder Versuche, das Gerät oder den Akku zu reparieren, außer wie in den Anweisungen für Gebrauch und Pflege angegeben.**
3. **Falls die Betriebszeit beträchtlich kürzer geworden ist, stellen Sie den Betrieb sofort ein.** Anderenfalls besteht die Gefahr von Überhitzung, möglichen Verbrennungen und sogar einer Explosion.
4. **Falls Elektrolyt in Ihre Augen gelangt, waschen Sie sie mit sauberem Wasser aus, und begeben Sie sich unverzüglich in ärztliche Behandlung.** Anderenfalls können Sie Ihre Sehkraft verlieren.
5. **Der Akku darf nicht kurzgeschlossen werden:**
 - (1) **Die Kontakte dürfen nicht mit leitfähigem Material berührt werden.**
 - (2) **Lagern Sie den Akku nicht in einem Behälter zusammen mit anderen Metallgegenständen, wie z. B. Nägel, Münzen usw.**
 - (3) **Setzen Sie den Akku weder Wasser noch Regen aus.**

Ein Kurzschluss des Akkus verursacht starken Stromfluss, der Überhitzung, mögliche Verbrennungen und einen Defekt zur Folge haben kann.
6. **Lagern und benutzen Sie das Werkzeug und den Akku nicht an Orten, an denen die Temperatur 50 °C erreichen oder überschreiten kann.**
7. **Versuchen Sie niemals, den Akku zu verbrennen, selbst wenn er stark beschädigt oder vollkommen verbraucht ist. Der Akku kann im Feuer explodieren.**
8. **Unterlassen Sie Nageln, Schneiden, Zerquetschen, Werfen, Fallenlassen des Akkus oder Schlagen des Akkus mit einem harten Gegenstand.** Eine solche Handlung kann zu einem Brand, übermäßiger Hitzeentwicklung oder einer Explosion führen.
9. **Benutzen Sie keine beschädigten Akkus.**
10. **Die enthaltenen Lithium-Ionen-Akkus unterliegen den Anforderungen der Gefahrengut-Gesetzgebung.** Für kommerzielle Transporte, z. B. durch Dritte oder Spediteure, müssen besondere Anforderungen zu Verpackung und Etikettierung beachtet werden. Zur Vorbereitung des zu transportierenden Artikels ist eine Beratung durch einen Experten für Gefahrengut erforderlich. Bitte beachten Sie möglicherweise ausführlichere nationale Vorschriften. Überleben oder verdecken Sie offene Kontakte, und verpacken Sie den Akku so, dass er sich in der Verpackung nicht umher bewegen kann.
11. **Entfernen Sie den Akku zum Entsorgen vom Werkzeug, und entsorgen Sie ihn an einem sicheren Ort. Befolgen Sie die örtlichen Vorschriften bezüglich der Entsorgung von Akkus.**

Wichtige Sicherheitsanweisungen für Akku

1. **Lesen Sie vor der Benutzung des Akkus alle Anweisungen und Warnhinweise, die an (1) Ladegerät, (2) Akku und (3) Akkuwerkzeug angebracht sind.**
2. **Unterlassen Sie Zerlegen oder Manipulieren des Akkus.** Es kann sonst zu einem Brand, übermäßiger Hitzeentwicklung oder einer Explosion kommen.
12. **Verwenden Sie die Akkus nur mit den von Makita angegebenen Produkten.** Das Einsetzen der Akkus in nicht konforme Produkte kann zu einem Brand, übermäßiger Hitzebildung, einer Explosion oder Auslaufen von Elektrolyt führen.
13. **Soll das Werkzeug längere Zeit nicht benutzt werden, muss der Akku vom Werkzeug entfernt werden.**

14. Bei und nach dem Gebrauch kann der Akku heiß werden, was Verbrennungen oder Niedertemperaturverbrennungen verursachen kann. Beachten Sie die Handhabung von heißen Akkus.
15. Berühren Sie nicht den Anschlusskontakt des Werkzeugs unmittelbar nach dem Gebrauch, da er heiß genug werden kann, um Verbrennungen zu verursachen.
16. Achten Sie darauf, dass sich keine Späne, Staub oder Schmutz in den Anschlusskontakten, Löchern und Nuten des Akkus absetzen. Dies kann zu einer Leistungseinbuße oder Betriebsstörung des Werkzeugs oder des Akkus führen.
17. Wenn das Werkzeug den Einsatz in der Nähe einer Hochspannungs-Stromleitung nicht unterstützt, benutzen Sie den Akku nicht in der Nähe einer Hochspannungs-Stromleitung. Dies kann zu einer Funktionsstörung oder Betriebsstörung des Werkzeugs oder des Akkus führen.
18. Halten Sie die Batterie von Kindern fern.

DIESE ANWEISUNGEN AUFBEWAHREN.

⚠ VORSICHT: Verwenden Sie nur **Original-Makita-Akkus**. Die Verwendung von Nicht-Original-Makita-Akkus oder von Akkus, die abgeändert worden sind, kann zum Bersten des Akkus und daraus resultierenden Bränden, Personenschäden und Beschädigung führen. Außerdem wird dadurch die Makita-Garantie für das Makita-Werkzeug und -Ladegerät ungültig.

Hinweise zur Aufrechterhaltung der maximalen Akku-Nutzungsdauer

1. Laden Sie den Akku, bevor er vollkommen erschöpft ist. Schalten Sie das Werkzeug stets aus, und laden Sie den Akku, wenn Sie ein Nachlassen der Werkzeugleistung feststellen.
2. Unterlassen Sie erneutes Laden eines voll aufgeladenen Akkus. Überladen führt zu einer Verkürzung der Nutzungsdauer des Akkus.
3. Laden Sie den Akku bei Raumtemperatur zwischen 10 – 40 °C. Lassen Sie einen heißen Akku abkühlen, bevor Sie ihn laden.
4. Wenn Sie den Akku nicht benutzen, nehmen Sie ihn vom Werkzeug oder Ladegerät ab.
5. Der Akku muss geladen werden, wenn er lange Zeit (länger als sechs Monate) nicht benutzt wird.

BEZEICHNUNG DER TEILE

Dieser Halter kann für die folgende Lüfter-Jacke/Weste und beheizte Jacke/Weste/Decke von Makita verwendet werden.

► **Abb.1**

Gruppe	Modell
A	Lüfter-Jacke/Weste: DFV210, DFJ206, DFJ207, DFJ210, DFJ211, DFJ212, DFJ213, DFJ214, DFJ216, DFJ304, DFJ305, DFJ310, DFJ311, DFJ405, DFJ407, DFJ410, DFJ411, DFJ416 Beheizte Jacke/Weste/Decke: CV102D, DCV202, CJ105D, CJ106D, DCJ205, DCJ206, CB100D, DCB200
B	Lüfter-Jacke/Weste: DFJ212A, DFJ213A, DFJ214A, DFJ216A, DFJ312A, DFJ416A, DFV210A, DFV214A

1. Leistungsstufenanzeige

Bei Verwendung einer Lüfter-Jacke/Weste wird die Leistungsstufe angezeigt.

HINWEIS: Falls Sie die oben in Gruppe A aufgelisteten Lüfter-Jacken/Westen verwenden, leuchtet die Leistungsstufenanzeige 4 nicht auf, weil ihre Lüftereinheiten eine 3-Stufen-Regelung verwenden.

HINWEIS: Falls Sie die beheizte Jacke/Weste/Decke verwenden, leuchtet nur die Leistungsstufenanzeige 4 auf.

2. Ein-Aus-Taste

Zum Einschalten setzen Sie den Akku ein, und halten Sie dann die Ein-Aus-Taste gedrückt, bis die Leistungsstufenanzeige aufleuchtet.

Zum Ändern der Leistungsstufe der Lüfter-Jacke/Weste drücken Sie kurz die Ein-Aus-Taste bei eingeschalteter Stromversorgung.

Zum Ausschalten halten Sie die Ein-Aus-Taste gedrückt, bis die Leistungsstufenanzeige erlischt.

HINWEIS: Zum Ändern der Wärme der beheizten Jacke/Weste/Decke drücken Sie die Taste an der beheizten Jacke/Weste/Decke bei eingeschalteter Stromversorgung.

3. Strombuchse

Schließen Sie das Kabel von der Jacke/Weste/Decke oder das Adapterkabel an.

4. Adapterkabel für Lüfter-Jacke/Weste (Sonderzubehör)

Verwenden Sie das Adapterkabel, wenn Sie die oben aufgelisteten Produkte in Gruppe A benutzen.

5. Adapterkabel für beheizte Jacke/Weste/Decke (Sonderzubehör)

Verwenden Sie das Adapterkabel, wenn Sie die oben aufgelisteten Produkte in Gruppe A benutzen.

6. Stromkabel der Jacke/Weste/Decke

Schließen Sie für die oben aufgelisteten Produkte in Gruppe A das geeignete Adapterkabel für die Lüfter-Jacke/Weste oder die beheizte Jacke/Weste/Decke an.

Nehmen Sie für die oben aufgelisteten Produkte in Gruppe B den Anschluss an die Strombuchse des Akkuhalters vor.

HINWEIS: Form und Lage der Buchse sind je nach Ihrer Jacke/Weste/Decke unterschiedlich.

7. Akku (Sonderzubehör)

Schieben Sie den Akku vollständig in den Halter ein, bis er mit einem leisen Klicken einrastet.

FUNKTIONSBESCHREIBUNG

Anbringen oder Abnehmen des Akkus

⚠ VORSICHT: Halten Sie den Akkuhalter und den Akku beim Anbringen oder Abnehmen des Akkus sicher fest. Wenn Sie den Akkuhalter und den Akku nicht sicher festhalten, können sie Ihnen aus der Hand rutschen, was zu einer Beschädigung des Akkuhalters und des Akkus und/oder zu Personenschäden führen kann.

⚠ VORSICHT: Schalten Sie das Gerät stets aus, bevor Sie den Akku abnehmen.

► **Abb.2:** 1. Rote Anzeige 2. Knopf 3. Akku 4. Akkuhalter

Um den Akku anzubringen, richten Sie die Feder am Akku auf die Führungsnut im Gehäuse aus, und schieben Sie den Akku hinein. Schieben Sie den Akku vollständig ein, bis er mit einem leisen Klicken einrastet. Falls die rote Anzeige an der Oberseite des Knopfes sichtbar ist, ist der Akku nicht vollständig verriegelt.

Ziehen Sie den Akku zum Abnehmen vom Akkuhalter ab, während Sie den Knopf an der Vorderseite des Akkus drücken.

⚠ VORSICHT: Schieben Sie den Akku stets bis zum Anschlag ein, bis die rote Anzeige nicht mehr sichtbar ist. Anderenfalls kann der Akku versehentlich aus dem Akkuhalter herausfallen und Sie oder umstehende Personen verletzen.

⚠ VORSICHT: Unterlassen Sie Gewaltanwendung beim Anbringen des Akkus. Falls der Akku nicht reibungslos hinein gleitet, ist er nicht richtig ausgerichtet.

Anbringen des Akkuhalters

Sie können den Akkuhalter an Ihren Hüftgurt hängen. Um versehentliches Herunterfallen des Akkuhalters zu verhindern, ziehen Sie einen Riemen durch die Riemenöse, und sichern Sie ihn.

► **Abb.3:** 1. Riemenöse

Der Akkuhalter hat eine Fallschutzfunktion. Wenn Sie den Akkuhalter vom Gürtel entfernen, ziehen Sie den Akkuhalter hoch, während Sie den Entriegelungsknopf drücken.

► **Abb.4:** 1. Entriegelungsknopf

Anschließen von USB-Geräten

⚠ VORSICHT: Schließen Sie nur Geräte an, die mit dem USB-Stromversorgungsanschluss kompatibel sind. Anderenfalls kann eine Funktionsstörung des Akkuhalters verursacht werden.

ANMERKUNG: Bevor Sie ein USB-Gerät an den Akkuhalter (mit dem Akku) anschließen, sichern Sie stets die Daten im USB-Gerät. Anderenfalls kann es zu einem Verlust Ihrer Daten kommen.

ANMERKUNG: Manche USB-Geräte können u. U. nicht über den Akkuhalter mit Strom versorgt werden.

ANMERKUNG: Wenn das Gerät nicht benutzt wird oder der Ladevorgang beendet ist, entfernen Sie das USB-Kabel, und schließen Sie die Abdeckung.

Der Akkuhalter (mit dem Akku) kann als externe Stromquelle für USB-Geräte fungieren.

Öffnen Sie die Abdeckung, und schließen Sie ein USB-Kabel (nicht mitgeliefert) an den USB-Anschluss des Akkuhalters an. Schließen Sie dann das andere Ende des Kabels an das Gerät an. Zum Starten des Ladevorgangs halten Sie die Ein-Aus-Taste gedrückt, bis die Leistungsstufenanzeige aufleuchtet. Zum Stoppen des Ladevorgangs halten Sie die Ein-Aus-Taste gedrückt, bis die Leistungsstufenanzeige erlischt.

► **Abb.5:** 1. Abdeckung 2. USB-Anschluss

HINWEIS: Der tatsächliche Ausgangsstrom ist je nach dem anzuschließenden USB-Gerät unterschiedlich.

HINWEIS: Bei eingeschalteter Ein-Aus-Taste wird Akkustrom verbraucht. Schalten Sie den Schalter bei Nichtgebrauch stets aus.

HINWEIS: Wenn Sie mehrere USB-Geräte nacheinander laden, warten Sie etwa 10 Sekunden, nachdem der Ladevorgang des vorherigen Gerätes abgeschlossen worden ist, bevor Sie mit dem Laden des nächsten Gerätes beginnen.

WARTUNG

ANMERKUNG: Verwenden Sie auf keinen Fall Benzin, Waschbenzin, Verdünner, Alkohol oder dergleichen. Solche Mittel können Verfärbung, Verformung oder Rissbildung verursachen.

ANMERKUNG: Waschen Sie den Akkuhalter nicht mit Wasser.

- Wischen Sie Schmutz, Staub, Öl, Fett usw. auf dem Gehäuse mit einem sauberen trockenen Lappen oder einem Lappen, den Sie in Seifenwasser getaucht und gut ausgewrungen haben, ab.
- Bewahren Sie das Gerät an einem Ort auf, der nicht extrem heiß, kalt oder feucht ist.

Um die SICHERHEIT und ZUVERLÄSSIGKEIT dieses Produkts zu gewährleisten, sollten Reparaturen und andere Wartungs- oder Einstellarbeiten nur von Makita-Vertragswerkstätten oder Makita-Kundendienstzentren unter ausschließlicher Verwendung von Makita-Originalersatzteilen ausgeführt werden.

DATI TECNICI

Modello	TD0000111 Portabatteria per cartuccia della batteria LXT	TD0000110 Portabatteria per cartuccia della batteria CXT
Tensione nominale	CC 14,4 V CC 18 V	CC Da 10,8 V a 12 V max
Cartuccia della batteria	BL1415N / BL1430B / BL1440 / BL1460B BL1815N / BL1820B / BL1830 / BL1830B / BL1840B / BL1850B / BL1860B	BL1016 / BL1021B / BL1041B
Porta di alimentazione USB	CC 5 V, 2,4 A, Tipo A	
Dimensioni (L x P x A)	100 mm x 78 mm x 39 mm	88 mm x 61 mm x 33 mm
Peso netto	0,14 kg	0,09 kg

- Alcune cartucce delle batterie elencate sopra potrebbero non essere disponibili, a seconda della propria area geografica di residenza.

⚠AVVERTIMENTO: Utilizzare solo le cartucce delle batterie elencate sopra. L'utilizzo di altre cartucce delle batterie potrebbe causare lesioni personali e/o un incendio.

Simboli

Alcuni dei simboli seguenti vengono utilizzati per il prodotto. Accertarsi di comprenderne il significato prima dell'uso.



Leggere il manuale d'uso.



Solo per le nazioni dell'EU
A causa della presenza di componenti pericolosi nelle apparecchiature, i rifiuti di apparecchiature elettriche ed elettroniche, accumulatori e batterie potrebbero produrre un impatto negativo sull'ambiente e sulla salute umana.
Non smaltire elettrodomestici elettrici ed elettronici o batterie insieme ai rifiuti domestici!
In conformità alla direttiva europea sui rifiuti di apparecchiature elettriche ed elettroniche (RAEE), sugli accumulatori e le batterie, nonché sui rifiuti di accumulatori e batterie, e al suo adattamento alle normative nazionali, i rifiuti di apparecchiature elettriche ed elettroniche, batterie e accumulatori vanno conservati separatamente e conferiti a un punto di raccolta separato per i rifiuti comunali, operando in conformità alle normative per la protezione dell'ambiente.
Tale requisito viene indicato mediante il simbolo del bidone della spazzatura con ruote barrato apposto sull'apparecchio.

AVVERTENZE DI SICUREZZA

⚠AVVERTIMENTO: Prima dell'uso, accertarsi di leggere il manuale d'uso del prodotto Makita da utilizzare con questo elettrodomestico.

⚠AVVERTIMENTO: Utilizzare questo elettrodomestico esclusivamente con i prodotti specificati da Makita. L'utilizzo dell'elettrodomestico con prodotti non compatibili potrebbe risultare in incendi, calore eccessivo, esplosioni o perdite di liquido elettrolitico.

Sicurezza elettrica

1. **Non maneggiare il cavo e la batteria con le mani bagnate o sporche di grasso.**
2. **Non utilizzare un cavo USB danneggiato.**
3. **Non sottoporre a uso improprio il cavo. Non utilizzare il cavo per trasportare, tirare o scollegare dall'alimentazione elettrica. Tenere il cavo lontano da calore, olio e bordi affilati.**
4. **Non lasciare alcun cavo scollegato mentre viene fornita l'alimentazione della batteria. I bambini più piccoli potrebbero mettersi in bocca lo spinotto sotto tensione e causare lesioni personali.**
5. **Non inserire chiodi, fili metallici o altri oggetti nella porta di alimentazione USB.** In caso contrario, si potrebbe causare un cortocircuito, che potrebbe causare fumo o un incendio.
6. **Non collegare la fonte di alimentazione alla porta USB. La porta USB è destinata solo al caricamento di dispositivi a voltaggi più bassi. Applicare sempre lo sportellino sulla porta USB quando non si intende caricare un dispositivo a voltaggio più basso.** In caso contrario, sussiste il rischio di incendio.

7. **Ricaricare solo con il caricabatterie specificato dal produttore. Un caricabatterie idoneo per un tipo di batteria potrebbe creare un rischio di incendio, se utilizzato con una batteria di tipo diverso.**
8. **Utilizzare gli elettrodomestici esclusivamente con le batterie specificamente designate.** L'utilizzo di qualsiasi altra batteria potrebbe creare un rischio di lesioni personali e di incendio.
9. **Quando la batteria non è in uso, tenerla lontana da altri oggetti metallici, quali graffette, monete, chiavi, chiodi, viti o altri piccoli oggetti metallici, che potrebbero fare contatto tra terminali diversi.** Il cortocircuito dei terminali della batteria può causare ustioni o incendi.
10. **In condizioni di uso improprio, la batteria potrebbe emettere un liquido: evitare il contatto con tale liquido. Qualora si verifichi un contatto accidentale con il liquido, lavare abbondantemente con acqua. Qualora il liquido entri in contatto con gli occhi, richiedere anche assistenza medica.** Il liquido espulso dalla batteria può causare irritazioni o ustioni.
11. **Non utilizzare una batteria o l'elettrodomestico da utilizzare insieme alla batteria, qualora siano stati danneggiati o modificati.** Batterie o elettrodomestici danneggiati o modificati potrebbero mostrare un comportamento imprevedibile che può risultare in incendi, esplosioni o nel rischio di lesioni personali.
12. **Non esporre una batteria al fuoco o a temperature eccessive.** L'esposizione al fuoco o a temperature superiori ai 130 °C potrebbe causare un'esplosione.
13. **Attenersi a tutte le istruzioni relative alla carica e non caricare la batteria al di fuori della gamma di temperature specificata nelle istruzioni.** Una carica inappropriata o a temperature al di fuori della gamma specificata potrebbe danneggiare la batteria e incrementare il rischio di incendio.
14. **Per l'assistenza tecnica, rivolgersi a un riparatore qualificato che utilizzi solo pezzi di ricambio identici.** In tal modo, si garantisce che la sicurezza del prodotto venga preservata.
15. **Non modificare né tentare di riparare l'elettrodomestico o la batteria, tranne per quanto indicato nelle istruzioni per l'uso e la manutenzione.**
3. **Qualora il tempo di utilizzo si riduca eccessivamente, interrompere immediatamente l'utilizzo dell'utensile.** In caso contrario, si può incorrere nel rischio di surriscaldamento, possibili ustioni e persino un'esplosione.
4. **Qualora l'elettrolita entri in contatto con gli occhi, sciacquarli con acqua pulita e richiedere immediatamente assistenza medica.** Questa eventualità può risultare nella perdita della vista.
5. **Non cortocircuitare la cartuccia della batteria:**
 - (1) **Non toccare i terminali con alcun materiale conduttivo.**
 - (2) **Evitare di conservare la cartuccia della batteria in un contenitore insieme ad altri oggetti metallici quali chiodi, monete, e così via.**
 - (3) **Non esporre la cartuccia della batteria all'acqua o alla pioggia.**

Un cortocircuito della batteria può causare un grande flusso di corrente, un surriscaldamento, possibili ustioni e persino un guasto.
6. **Non conservare e utilizzare l'utensile e la cartuccia della batteria in ubicazioni in cui la temperatura possa raggiungere o superare i 50°C.**
7. **Non incenerire la cartuccia della batteria anche qualora sia gravemente danneggiata o completamente esaurita.** La cartuccia della batteria può esplodere se a contatto con il fuoco.
8. **Non inchiodare, tagliare, schiacciare, lanciare o far cadere la cartuccia della batteria, né farla urtare con forza contro un oggetto duro.** Questi comportamenti potrebbero risultare in un incendio, calore eccessivo o un'esplosione.
9. **Non utilizzare una batteria danneggiata.**
10. **Le batterie a ioni di litio contenute sono soggette ai requisiti del regolamento sul trasporto di merci pericolose (Dangerous Goods Legislation).** Per trasporti commerciali, ad esempio da parte di terzi o spedizionieri, è necessario osservare dei requisiti speciali sull'imballaggio e sull'etichetta. Per la preparazione dell'articolo da spedire, è richiesta la consulenza di un esperto in materiali pericolosi. Attenersi anche alle normative nazionali, che potrebbero essere più dettagliate. Nastrare o coprire i contatti aperti e imballare la batteria in modo tale che non si possa muovere liberamente all'interno dell'imballaggio.

Istruzioni di sicurezza importanti per la cartuccia della batteria

1. **Prima di utilizzare la cartuccia della batteria, leggere tutte le istruzioni e le avvertenze riportate (1) sul caricabatteria, (2) sulla batteria e (3) sul prodotto che utilizza la batteria.**
2. **Non smantellare né manomettere la cartuccia della batteria.** In caso contrario, si potrebbe causare un incendio, calore eccessivo o un'esplosione.
11. **Quando si intende smaltire la cartuccia della batteria, rimuoverla dall'utensile e smaltirla in un luogo sicuro.** Attenersi alle normative locali relative allo smaltimento della batteria.
12. **Utilizzare le batterie esclusivamente con i prodotti specificati da Makita.** L'installazione delle batterie in prodotti non compatibili potrebbe risultare in incendi, calore eccessivo, esplosioni o perdite di liquido elettrolitico.
13. **Se l'utensile non viene utilizzato per un periodo di tempo prolungato, la batteria deve essere rimossa dall'utensile.**

14. Durante e dopo l'uso, la cartuccia della batteria potrebbe assorbire calore, che può causare ustioni o ustioni a bassa temperatura. Fare attenzione a come si maneggiano le cartucce delle batterie estremamente calde.
15. Non toccare i terminali dell'utensile subito dopo l'uso, in quanto potrebbero diventare estremamente caldi al punto da causare ustioni.
16. Evitare di far incastrare schegge, polveri o terreno nei terminali, nei fori e nelle scanalature della cartuccia della batteria. In caso contrario, si potrebbero causare prestazioni scadenti o la rottura dell'utensile o della cartuccia della batteria.
17. A meno che l'utensile supporti l'uso in prossimità di linee elettriche ad alta tensione, non utilizzare la cartuccia della batteria in prossimità di linee elettriche ad alta tensione. In caso contrario, si potrebbe causare un malfunzionamento o la rottura dell'utensile o della cartuccia della batteria.
18. Tenere la batteria lontana dai bambini.

CONSERVARE LE PRESENTI ISTRUZIONI.

⚠ATTENZIONE: Utilizzare solo batterie originali Makita. L'utilizzo di batterie Makita non originali, o di batterie che siano state alterate, potrebbe risultare nello scoppio della batteria, causando incendi, lesioni personali e danni. Inoltre, ciò potrebbe invalidare la garanzia Makita per l'utensile e il caricabatterie Makita.

Suggerimenti per preservare la durata massima della batteria

1. Caricare la cartuccia della batteria prima che si scarichi completamente. Smettere sempre di utilizzare l'utensile e caricare la cartuccia della batteria quando si nota che la potenza dell'utensile è diminuita.
2. Non ricaricare mai una cartuccia della batteria completamente carica. La sovraccarica riduce la vita utile della batteria.
3. Caricare la cartuccia della batteria a una temperatura ambiente compresa tra 10 °C e 40 °C. Lasciar raffreddare una cartuccia della batteria prima di caricarla.
4. Quando non si utilizza la cartuccia della batteria, rimuoverla dall'utensile o dal caricabatterie.
5. Caricare la cartuccia della batteria se non la si è utilizzata per un periodo di tempo prolungato (più di sei mesi).

DESCRIZIONE DELLE PARTI

Questo portabatteria può venire utilizzato per i seguenti modelli Makita di giacche e giubbotti ventilati, nonché di giacche, giubbotti e coperte riscaldati.

► Fig.1

Gruppo	Modello
A	Giacca/giubbotto ventilati: DFV210, DFJ206, DFJ207, DFJ210, DFJ211, DFJ212, DFJ213, DFJ214, DFJ216, DFJ304, DFJ305, DFJ310, DFJ311, DFJ405, DFJ407, DFJ410, DFJ411, DFJ416 Giacca/giubbotto/coperta riscaldati: CV102D, DCV202, CJ105D, CJ106D, DCJ205, DCJ206, CB100D, DCB200
B	Giacca/giubbotto ventilati: DFJ212A, DFJ213A, DFJ214A, DFJ216A, DFJ312A, DFJ416A, DFV210A, DFV214A

1. Indicatore del livello di potenza

Quando si utilizzano una giacca o un giubbotto ventilati, viene visualizzato il livello di potenza.

NOTA: Se si utilizzano le giacche o i giubbotti ventilati nel gruppo A elencati sopra, l'indicatore del livello di potenza 4 non si illumina, poiché le loro unità ventole utilizzano un controllo a 3 livelli.

NOTA: Se si utilizzano la giacca, il giubbotto o la coperta riscaldati, si illumina solo l'indicatore del livello di potenza 4.

2. Pulsante di accensione

Per l'accensione, inserire la cartuccia della batteria, quindi premere e tenere premuto il pulsante di accensione fino a quando l'indicatore del livello di potenza si illumina.

Per cambiare il livello di potenza della giacca o del giubbotto ventilati, premere brevemente il pulsante di accensione quando l'apparecchio è acceso.

Per lo spegnimento, premere e tenere premuto il pulsante di accensione fino a quando l'indicatore del livello di potenza si spegne.

NOTA: Per cambiare il calore della giacca, del giubbotto o della coperta riscaldati, premere il pulsante sulla giacca, sul giubbotto o sulla coperta riscaldati quando sono accesi.

3. Presa elettrica

Collegare il cavo proveniente dalla giacca, dal giubbotto o dalla coperta, oppure il cavo adattatore.

4. Cavo adattatore per la giacca o il giubbotto ventilati (accessorio opzionale)

Utilizzare il cavo adattatore quando si intende utilizzare i prodotti nel gruppo A elencati sopra.

5. Cavo adattatore per la giacca, il giubbotto o la coperta riscaldati (accessorio opzionale)

Utilizzare il cavo adattatore quando si intende utilizzare i prodotti nel gruppo A elencati sopra.

6. Cavo di alimentazione della giacca, del giubbotto o della coperta

Per i prodotti nel gruppo A elencati sopra, collegare il cavo adattatore idoneo per la giacca o il giubbotto ventilati, oppure per la giacca, il giubbotto o la coperta riscaldati.

Per i prodotti nel gruppo B elencati sopra, collegare alla presa elettrica del portabatteria.

NOTA: La forma e l'ubicazione della presa variano a seconda della giacca, del giubbotto o della coperta utilizzati.

7. Cartuccia della batteria (accessorio opzionale)

Inserire completamente la cartuccia della batteria nel portabatteria fino a quando si innesta in sede con un piccolo scatto.

DESCRIZIONE DELLE FUNZIONI

Installazione o rimozione della cartuccia della batteria

⚠ATTENZIONE: Quando si installa o si rimuove la cartuccia della batteria, mantenere saldamente il portabatteria e la cartuccia della batteria. Qualora non si mantengano saldamente il portabatteria e la cartuccia della batteria, si potrebbe farli scivolare dalle mani, causando danni al portabatteria e alla cartuccia della batteria, e/o lesioni personali.

⚠ATTENZIONE: Prima di rimuovere la cartuccia della batteria, spegnere sempre l'apparecchio.

► **Fig.2:** 1. Indicatore rosso 2. Pulsante 3. Cartuccia della batteria 4. Portabatteria

Per installare la cartuccia della batteria, allineare la linguetta sulla cartuccia della batteria con la scanalatura nell'alloggiamento e farla scivolare in sede. Inserire completamente la cartuccia della batteria fino a quando si innesta in sede con un piccolo scatto. Qualora si veda l'indicatore rosso sul lato superiore del pulsante, la batteria non è bloccata completamente.

Per rimuovere la cartuccia della batteria, farla scorrere dal portabatteria mentre si tiene premuto il pulsante sulla parte anteriore della cartuccia.

⚠ATTENZIONE: Installare sempre completamente la cartuccia della batteria, fino a quando non è più possibile vedere l'indicatore rosso. In caso contrario, la cartuccia della batteria potrebbe cadere accidentalmente fuori dal portabatteria, causando lesioni personali all'utente o a persone circostanti.

⚠ATTENZIONE: Non installare forzatamente la cartuccia della batteria. Qualora non si riesce a far scivolare in sede facilmente la cartuccia della batteria, significa che non la si sta inserendo correttamente.

Montaggio del portabatteria

È possibile appendere il portabatteria alla cintola.

Per evitare che il portabatteria cada accidentalmente, agganciare una cinghietta utilizzando l'apposito foro e fissarlo.

► **Fig.3:** 1. Foro per la cinghietta

Il portabatteria dispone di una funzione di prevenzione delle cadute. Quando si intende rimuovere il portabatteria dalla cintura, tirare verso l'alto il portabatteria mentre si preme il pulsante di sblocco.

► **Fig.4:** 1. Pulsante di sblocco

Collegamento di dispositivi USB

⚠ATTENZIONE: Collegare solo dispositivi che siano compatibili con la porta per alimentatore USB. In caso contrario, si potrebbe causare un mal-funzionamento del portabatteria.

AVVISO: Prima di collegare un dispositivo USB al portabatteria (con la batteria), eseguire sempre la copia di riserva dei dati presenti sul dispositivo USB. In caso contrario, si potrebbe causare la perdita dei dati.

AVVISO: Il portabatteria potrebbe non fornire l'alimentazione ad alcuni apparecchi USB.

AVVISO: Quando il cavo USB non è in uso, o dopo la carica, rimuoverlo e chiudere lo sportellino.

Il portabatteria (con la cartuccia della batteria) può funzionare come alimentatore esterno per apparecchi USB.

Aprire lo sportellino e collegare un cavo USB (non in dotazione) alla porta USB del portabatteria. Collegare l'altra estremità del cavo all'apparecchio. Per iniziare la carica, premere e tenere premuto il pulsante di accensione fino a quando l'indicatore del livello di potenza si illumina. Per arrestare la carica, premere e tenere premuto il pulsante di accensione fino a quando l'indicatore del livello di potenza si spegne.

► **Fig.5:** 1. Sportellino 2. Porta USB

NOTA: La corrente effettiva in uscita varia a seconda dell'apparecchio USB da collegare.

NOTA: La carica della batteria si consuma mentre il pulsante di accensione è attivato. Disattivare sempre l'interruttore quando non si utilizza l'apparecchio.

NOTA: Quando si intende caricare più dispositivi USB di seguito, prima di iniziare a caricare il dispositivo successivo, attendere circa 10 secondi dopo che la carica del dispositivo precedente è stata completata.

MANUTENZIONE

AVVISO: Non utilizzare mai benzina, benzina per pulizia, solventi, alcol o altre sostanze simili. In caso contrario, si potrebbero causare scolorimenti, deformazioni o crepe.

AVVISO: Non lavare il portabatteria con acqua.

- Pulire sporco, polveri, olio, grasso, e così via, sulla superficie esterna con un panno asciutto pulito, o con un panno immerso in acqua saponata e strizzato completamente.
- Tenere l'elettrodomestico in un'ubicazione in cui non sia soggetto a temperature estremamente calde, fredde o a umidità.

Per preservare la SICUREZZA e l'AFFIDABILITÀ del prodotto, le riparazioni e qualsiasi altro intervento di manutenzione e di regolazione devono essere eseguiti da un centro di assistenza autorizzato Makita, utilizzando sempre ricambi Makita.

TECHNISCHE GEGEVENS

Model	TD00000111 Accuhouder voor LXT-accu	TD00000110 Accuhouder voor CXT-accu
Nominale spanning	D.C. 14,4 V D.C. 18 V	D.C. 10,8 V tot max. 12 V
Accu	BL1415N / BL1430B / BL1440 / BL1460B BL1815N / BL1820B / BL1830 / BL1830B / BL1840B / BL1850B / BL1860B	BL1016 / BL1021B / BL1041B
USB-voedingspoort	D.C. 5 V, 2,4 A, Type A	
Afmetingen (l x b x h)	100 mm x 78 mm x 39 mm	88 mm x 61 mm x 33 mm
Nettogewicht	0,14 kg	0,09 kg

- Sommige van de hierboven vermelde accu's zijn mogelijk niet leverbaar afhankelijk van waar u woont.

⚠ WAARSCHUWING: Gebruik uitsluitend de accu's die hierboven worden genoemd. Gebruik van enige andere accu kan leiden tot letsel en/of brand.

Symbolen

Hieronder staan de symbolen die voor dit gereedschap worden gebruikt. Zorg ervoor dat u weet wat ze betekenen alvorens het gereedschap te gebruiken.



Lees de gebruiksaanwijzing.



Alleen voor EU-landen
Als gevolg van de aanwezigheid van schadelijke componenten in het apparaat, kunnen oude elektrische en elektronische apparaten, accu's en batterijen negatieve gevolgen hebben voor het milieu en de gezondheid van mensen.
Gooi elektrische en elektronische apparaten en accu's niet met het huisvuil weg!
In overeenstemming met de Europese richtlijn inzake oude elektrische en elektronische apparaten en inzake accu's en batterijen en oude accu's en batterijen, alsmede de toepassing daarvan binnen de nationale wetgeving, dienen oude elektrische apparaten, accu's en batterijen gescheiden te worden opgeslagen en te worden ingeleverd bij een apart inzamelingspunt voor huishoudelijk afval dat de milieubeschermingsvoorschriften in acht neemt.
Dit wordt op het apparaat aangegeven door het symbol van een doorgekruiste afvalcontainer.

VEILIGHEIDSWAARSCHUWINGEN

⚠ WAARSCHUWING: Lees vóór gebruik de gebruiksaanwijzing van uw Makita-product dat met dit apparaat wordt gebruikt.

⚠ WAARSCHUWING: Gebruik dit apparaat uitsluitend met de apparaten die door Makita zijn aanbevolen. Als het apparaat wordt gebruikt met niet-compatibele gereedschappen, kan dat leiden tot brand, buitensporige warmteontwikkeling, een explosie of lekkage van elektrolyt.

Elektrische veiligheid

1. Raak het snoer en de accu niet aan met natte of vette handen.
2. Gebruik nooit een beschadigde USB-kabel.
3. Behandel het snoer voorzichtig. Gebruik het snoer niet om iets eraan te dragen, eraan te trekken, of de stekker ermee los te koppelen. Houd het snoer uit de buurt van hitte, olie en scherpe randen.
4. Laat geen enkel snoer losgekoppeld terwijl accuvoeding wordt geleverd. Kleine kinderen kunnen de stroomvoerende stekker in hun mond stoppen en letsel oplopen.
5. Steek geen spijkers, draden of andere voorwerpen in de USB-voedingspoort. Als u dit doet, kan kortsluiting worden veroorzaakt, waardoor rook en vuur kan ontstaan.
6. Sluit de voedingsbron niet aan op de USB-poort. De USB-poort is uitsluitend bedoeld voor het opladen van laagspanningsapparaten. Plaats altijd de afdekking over de USB-poort wanneer geen laagspanningsapparaat wordt opgeladen. Anders bestaat de kans op brand.

7. **Laad alleen op met de acculader aanbevolen door de fabrikant. Een acculader die geschikt is voor een bepaald type accu, kan brandgevaar opleveren indien gebruikt met een ander type accu.**
8. **Gebruik apparaten uitsluitend met de daarvoor bestemde accu's.** Als u een andere accu erin gebruikt, kan dit leiden tot persoonlijk letsel of brand.
9. **Als de accu niet wordt gebruikt, houdt u deze uit de buurt van metalen voorwerpen, zoals paperclips, muntgeld, sleutels, spijkers, schroeven en andere kleine metalen voorwerpen die een kortsluiting kunnen veroorzaken tussen de accupolen.** Kortsluiting tussen de accupolen kan leiden tot brandwonden of brand.
10. **Onder zware gebruiksomstandigheden kan vloeistof uit de accu komen. Voorkom aanraking!** Als u er per ongeluk mee in aanraking komt, spoelt u het er met water af. **Als de vloeistof in uw ogen komt, raadpleegt u tevens een arts.** Vloeistof uit de accu kan irritatie en brandwonden veroorzaken.
11. **Gebruik de accu, of het apparaat dat met de accu moet worden gebruikt, niet als deze is beschadigd of gewijzigd.** Beschadigde of gewijzigde accu's of apparaten kunnen onvoorspelbaar gedrag vertonen dat kan leiden tot brand, explosie of gevaar van letsel.
12. **Stel een accu niet bloot aan vuur of buitensporige temperaturen.** Blootstelling aan vuur of temperaturen hoger dan 130 °C kunnen een explosie veroorzaken.
13. **Volg alle oplaadinstructions en laad de accu niet op buiten het temperatuurbereik vermeld in de instructies.** Verkeerd opladen of bij een temperatuur buiten het vermelde bereik, kan de accu beschadigen en de kans op brand vergroten.
14. **Laat onderhoud en reparatie uitvoeren door een vakbekwame reparateur die gebruik maakt van uitsluitend identieke vervangingsonderdelen.** Zo bent u ervan verzekerd dat de veiligheid van het apparaat behouden blijft.
15. **Probeer niet het apparaat of de accu te wijzigen of te repareren, behalve zoals aangegeven in de instructies voor gebruik en verzorging.**
4. **Als elektrolyt in uw ogen is terechtgekomen, spoelt u uw ogen met schoon water en roept u onmiddellijk de hulp van een dokter in.** Elektrolyt in de ogen kan blindheid veroorzaken.
5. **Voorkom kortsluiting van de accu:**
 - (1) **Raak de accuklemmen nooit aan met een geleidend materiaal.**
 - (2) **Bewaar de accu niet in een bak waarin andere metalen voorwerpen zoals spijkers, munten e.d. worden bewaard.**
 - (3) **Stel de accu niet bloot aan water of regen.** Kortsluiting van de accu kan oorzaak zijn van een grote stroomafgifte, oververhitting, brandwonden, en zelfs defecten.
6. **Bewaar en gebruik het gereedschap en de accu niet op plaatsen waar de temperatuur kan oplopen tot 50 °C of hoger.**
7. **Werp de accu nooit in het vuur, ook niet wanneer hij zwaar beschadigd of volledig versleten is.** De accu kan ontploffen in het vuur.
8. **Laat de accu niet vallen, sla er geen spijker in, snijd er niet in, gooi er niet mee en stoot hem niet tegen een hard voorwerp.** Dergelijke handelingen kunnen leiden tot brand, buitensporige hitte of een explosie.
9. **Gebruik nooit een beschadigde accu.**
10. **De bijgeleverde lithium-ionbatterijen zijn onderhevig aan de vereisten in de wetgeving omtrent gevaarlijke stoffen.**

Voor commercieel transport en dergelijke doorden en transporteurs moeten speciale vereisten ten aanzien van verpakking en etikettering worden nageleefd.

Als voorbereiding van het artikel dat wordt getransporteerd is het noodzakelijk een expert op het gebied van gevaarlijke stoffen te raadplegen. Houd u tevens aan mogelijk strengere nationale regelgeving.

Blootliggende contactpunten moeten worden afgedekt met tape en de accu moet zodanig worden verpakt dat deze niet kan bewegen in de verpakking.
11. **Wanneer u de accu wilt weggooien, verwijdert u de accu vanaf het gereedschap en gooit u hem op een veilige manier weg. Volg bij het weggooien van de accu de plaatselijke voorschriften.**
12. **Gebruik de accu's uitsluitend met de gereedschappen die door Makita zijn aanbevolen.** Als de accu's worden aangebracht in niet-compatibele gereedschappen, kan dat leiden tot brand, buitensporige warmteontwikkeling, een explosie of lekkage van elektrolyt.
13. **Als u het gereedschap gedurende een lange tijd niet denkt te gaan gebruiken, moet de accu vanaf het gereedschap worden verwijderd.**
14. **Tijdens en na gebruik, kan de accu heet worden waardoor brandwonden of koude brandwonden kunnen worden veroorzaakt. Wees voorzichtig bij het hanteren van een hete accu.**
15. **Raak de aansluitpunten van het gereedschap niet onmiddellijk na gebruik aan omdat deze heet genoeg kunnen zijn om brandwonden te veroorzaken.**

Belangrijke veiligheidsinstructies voor een accu

1. **Lees alle voorschriften en waarschuwingen op (1) de acculader, (2) de accu, en (3) het product waarvoor de accu wordt gebruikt, alvorens de accu in gebruik te nemen.**
2. **Haal de accu niet uit elkaar en saboteer hem niet.** Dit kan leiden tot brand, buitensporige hitte of een explosie.
3. **Als de gebruikstijd van een opgeladen accu aanzienlijk korter is geworden, moet u het gebruik ervan onmiddellijk stopzetten.** Voortgezet gebruik kan oververhitting, brandwonden en zelfs een ontploffing veroorzaken.
4. **Als elektrolyt in uw ogen is terechtgekomen, spoelt u uw ogen met schoon water en roept u onmiddellijk de hulp van een dokter in.** Elektrolyt in de ogen kan blindheid veroorzaken.
5. **Voorkom kortsluiting van de accu:**
 - (1) **Raak de accuklemmen nooit aan met een geleidend materiaal.**
 - (2) **Bewaar de accu niet in een bak waarin andere metalen voorwerpen zoals spijkers, munten e.d. worden bewaard.**
 - (3) **Stel de accu niet bloot aan water of regen.** Kortsluiting van de accu kan oorzaak zijn van een grote stroomafgifte, oververhitting, brandwonden, en zelfs defecten.
6. **Bewaar en gebruik het gereedschap en de accu niet op plaatsen waar de temperatuur kan oplopen tot 50 °C of hoger.**
7. **Werp de accu nooit in het vuur, ook niet wanneer hij zwaar beschadigd of volledig versleten is.** De accu kan ontploffen in het vuur.
8. **Laat de accu niet vallen, sla er geen spijker in, snijd er niet in, gooi er niet mee en stoot hem niet tegen een hard voorwerp.** Dergelijke handelingen kunnen leiden tot brand, buitensporige hitte of een explosie.
9. **Gebruik nooit een beschadigde accu.**
10. **De bijgeleverde lithium-ionbatterijen zijn onderhevig aan de vereisten in de wetgeving omtrent gevaarlijke stoffen.**

Voor commercieel transport en dergelijke doorden en transporteurs moeten speciale vereisten ten aanzien van verpakking en etikettering worden nageleefd.

Als voorbereiding van het artikel dat wordt getransporteerd is het noodzakelijk een expert op het gebied van gevaarlijke stoffen te raadplegen. Houd u tevens aan mogelijk strengere nationale regelgeving.

Blootliggende contactpunten moeten worden afgedekt met tape en de accu moet zodanig worden verpakt dat deze niet kan bewegen in de verpakking.
11. **Wanneer u de accu wilt weggooien, verwijdert u de accu vanaf het gereedschap en gooit u hem op een veilige manier weg. Volg bij het weggooien van de accu de plaatselijke voorschriften.**
12. **Gebruik de accu's uitsluitend met de gereedschappen die door Makita zijn aanbevolen.** Als de accu's worden aangebracht in niet-compatibele gereedschappen, kan dat leiden tot brand, buitensporige warmteontwikkeling, een explosie of lekkage van elektrolyt.
13. **Als u het gereedschap gedurende een lange tijd niet denkt te gaan gebruiken, moet de accu vanaf het gereedschap worden verwijderd.**
14. **Tijdens en na gebruik, kan de accu heet worden waardoor brandwonden of koude brandwonden kunnen worden veroorzaakt. Wees voorzichtig bij het hanteren van een hete accu.**
15. **Raak de aansluitpunten van het gereedschap niet onmiddellijk na gebruik aan omdat deze heet genoeg kunnen zijn om brandwonden te veroorzaken.**

16. **Zorg ervoor dat geen steenslag, stof of grond vast komt te zitten op/in de aansluitpunten, openingen en groeven van de accu.** Dit kan leiden tot slechte prestaties of een defect van het gereedschap of de accu.
17. **Behalve indien gebruik van het gereedschap is toegestaan in de buurt van hoogspanningsleidingen, mag u de accu niet gebruiken in de buurt van een hoogspanningsleiding.** Dit kan leiden tot een storing of een defect van het gereedschap of de accu.
18. **Houd de accu uit de buurt van kinderen.**

BEWAAR DEZE INSTRUCTIES.

▲LET OP: Gebruik uitsluitend originele Makita accu's. Het gebruik van niet-originele accu's, of accu's die zijn gewijzigd, kan ertoe leiden dat de accu ontploft en brand, persoonlijk letsel en schade veroorzaakt. Ook vervalt daarmee de garantie van Makita op het gereedschap en de lader van Makita.

Tips voor een maximale levensduur van de accu

1. **Laad de accu op voordat hij volledig ontladen is. Stop het gebruik van het gereedschap en laad de accu op telkens wanneer u vaststelt dat het vermogen van het gereedschap is afgenomen.**
2. **Laad een volledig opgeladen accu nooit opnieuw op. Te lang opladen verkort de levensduur van de accu.**
3. **Laad de accu op bij een omgevingstemperatuur tussen 10 °C en 40 °C. Laat een warme accu afkoelen alvorens hem op te laden.**
4. **Als de accu niet wordt gebruikt, verwijdert u hem vanaf het gereedschap of de lader.**
5. **Laad de accu op als u deze gedurende een lange tijd (meer dan zes maanden) niet gaat gebruiken.**

BESCHRIJVING VAN DE ONDERDELEN

Deze houder kan worden gebruikt voor de volgende ventilatorjas/-bodywarmer en verwarmde jas/bodywarmer/deken.

► Fig.1

Groep	Model
A	Ventilatorjas/-bodywarmer: DFV210, DFJ206, DFJ207, DFJ210, DFJ211, DFJ212, DFJ213, DFJ214, DFJ216, DFJ304, DFJ305, DFJ310, DFJ311, DFJ405, DFJ407, DFJ410, DFJ411, DFJ416 Verwarmde jas/bodywarmer/dekken: CV102D, DCV202, CJ105D, CJ106D, DCJ205, DCJ206, CB100D, DCB200
B	Ventilatorjas/-bodywarmer: DFJ212A, DFJ213A, DFJ214A, DFJ216A, DFJ312A, DFJ416A, DFV210A, DFV214A

1. Vermogensniveau-indicator

Bij gebruik van een ventilatorjas/-bodywarmer, wordt het vermogensniveau weergegeven.

OPMERKING: Als u een ventilatorjas/-bodywarmer uit de bovenvermelde groep A gebruikt, zal vermogensniveau 4 niet branden omdat de ventilatoreenheid daarvan een 3-traps regeling heeft.

OPMERKING: Als u een verwarmde jas/bodywarmer/deken gebruikt, zal alleen vermogensniveau-indicator 4 branden.

2. Aan-uitknop

Om in te schakelen, brengt u de accu aan en houdt u de aan-uitknop ingedrukt tot de vermogensniveau-indicator brandt.

Om het vermogensniveau van de ventilatorjas/-bodywarmer te veranderen, drukt u kort op de aan-uitknop terwijl deze is ingeschakeld.

Om uit te schakelen, houdt u de aan-uitknop ingedrukt tot de vermogensniveau-indicator uitgaat.

OPMERKING: Om de warmtestand van de verwarmde jas/bodywarmer/deken te veranderen, drukt u op de knop op de verwarmde jas/bodywarmer/deken terwijl deze is ingeschakeld.

3. Aansluiting

Sluit de kabel vanaf de jas/bodywarmer/deken of de adapterkabel hierop aan.

4. Adapterkabel voor ventilatorjas/-bodywarmer (optioneel accessoire)

Gebruik de adapterkabel voor producten uit de bovenvermelde groep A.

5. Adapterkabel voor verwarmde jas/bodywarmer/deken (optioneel accessoire)

Gebruik de adapterkabel voor producten uit de bovenvermelde groep A.

6. Netsnoer van de jas/bodywarmer/deken

Sluit op de producten uit de bovenvermelde groep A de geschikte adapterkabel voor de ventilatorjas/-bodywarmer of de verwarmde jas/bodywarmer/deken aan.

Sluit de producten uit de bovenvermelde groep B aan op de aansluiting van de accuhouder.

OPMERKING: De vorm en plaats van de aansluiting verschilt afhankelijk van uw jas/bodywarmer/deken.

7. Accu (optioneel accessoire)

Steek de accu helemaal in de houder tot hij wordt vergrendeld met een zacht klikgeluid.

BESCHRIJVING VAN DE FUNCTIES

De accu aanbrengen of verwijderen

⚠ LET OP: Houd de accuhouder en de accu stevig vast tijdens het aanbrengen of verwijderen van de accu. Als u de accuhouder en de accu niet stevig vasthoudt, kunnen deze uit uw handen glippen en beschadigd raken, en/of kan persoonlijk letsel worden veroorzaakt.

⚠ LET OP: Schakel het apparaat altijd uit voordat u de accu verwijderd.

► Fig.2: 1. Rood deel 2. Knop 3. Accu 4. Accuhouder

Om de accu aan te brengen, lijnt u de lip op de accu uit met de groef in de behuizing en duwt u de accu op zijn plaats. Duw de accu helemaal op zijn plaats tot hij wordt vergrendeld met een klikgeluid. Als u het rode deel aan de bovenkant van de knop kunt zien, is de accu niet goed aangebracht.

Om de accu te verwijderen drukt u de knop aan de voorkant van de accu en schuift u tegelijkertijd de accu van de accuhouder af.

⚠ LET OP: Breng de accu altijd helemaal aan totdat het rode deel niet meer zichtbaar is. Als u dit niet doet, kan de accu per ongeluk uit de accuhouder vallen en u of anderen in uw omgeving verwonden.

⚠ LET OP: Breng de accu niet met kracht aan. Als de accu niet gemakkelijk op zijn plaats schuift, wordt deze niet correct aangebracht.

De accuhouder aansluiten

U kunt de accuhouder aan uw broekriem hangen. Om te voorkomen dat de accuhouder per ongeluk valt, rijgt u een koord door het koorddoog en knoopt u dit ergens aan vast.

► Fig.3: 1. Koorddoog

De accuhouder heeft een valpreventiefunctie. Wanneer u de accuhouder van de broekriem verwijderd, trekt u de accuhouder omhoog terwijl u de ontgrendelknop indrukt.

► Fig.4: 1. Ontgrendelknop

USB-apparaten aansluiten

⚠ LET OP: Sluit alleen apparaten aan die compatibel zijn met de USB-voedingspoort. Als u dat niet doet, kan een storing in de accuhouder worden veroorzaakt.

KENNISGEVING: Voordat u een USB-apparaat aansluit op de accuhouder (met accu), maakt u altijd eerst een reservekopie van de gegevens op het USB-apparaat. Als u dat niet doet, kunnen uw gegevens verloren gaan.

KENNISGEVING: Het is mogelijk dat de accuhouder sommige USB-apparaten niet kan voeden.

KENNISGEVING: Als u dit niet gebruikt, of na het opladen, verwijderd u de USB-kabel en sluit u de afdekking.

De accuhouder (met de accu) kan werken als een externe voeding voor USB-apparaten.

Open de afdekking en sluit een USB-kabel (niet bijgeleverd) aan op de USB-poort van de accuhouder. Sluit daarna het andere uiteinde van de kabel aan op het apparaat. Om het opladen te starten, houdt u de aan-uitknop ingedrukt tot de vermogensniveau-indicator brandt. Om het opladen te stoppen, houdt u de aan-uitknop ingedrukt tot de vermogensniveau-indicator uitgaat.

► Fig.5: 1. Afdekking 2. USB-poort

OPMERKING: De werkelijke uitgangsstroom verschilt afhankelijk van het USB-apparaat dat wordt aangesloten.

OPMERKING: Wanneer de aan-uitknop is ingeschakeld, wordt accuvoeding verbruikt. Zet de aan-uitknop altijd uit wanneer het apparaat niet in gebruik is.

OPMERKING: Als u meerdere USB-apparaten achter elkaar oplaadt, wacht u ongeveer 10 seconden nadat het opladen van een apparaat is voltooid voordat u het volgende apparaat begint op te laden.

ONDERHOUD

KENNISGEVING: Gebruik nooit benzine, wasbenzine, thinner, alcohol en dergelijke. Hierdoor kunnen verkleuring, vervormingen en barsten worden veroorzaakt.

KENNISGEVING: Was de accuhouder niet met water.

- Veeg vuil, olie, vet, enz. van de behuizing af met een schone, droge doek, of een in zeepwater gedoopte en stevig uitgewrongen doek.
- Bewaar het apparaat op een plaats waar het niet extreem heet, koud of vochtig wordt.

Om de VEILIGHEID en BETROUWBAARHEID van het gereedschap te handhaven, dienen alle reparaties, onderhoud of afstellingen te worden uitgevoerd bij een erkend Makita-servicecentrum of de Makita-fabriek, en altijd met gebruik van Makita-ervangingsonderdelen.

ESPECIFICACIONES

Modelo	TD00000111 Portabatería para cartucho de batería LXT	TD00000110 Portabatería para cartucho de batería CXT
Tensión nominal	CC 14,4 V CC 18 V	CC 10,8 V - 12 V máx.
Cartucho de batería	BL1415N / BL1430B / BL1440 / BL1460B BL1815N / BL1820B / BL1830 / BL1830B / BL1840B / BL1850B / BL1860B	BL1016 / BL1021B / BL1041B
Puerto USB de suministro de alimentación	CC 5 V, 2,4 A, Tipo A	
Dimensiones (La x An x Al)	100 mm x 78 mm x 39 mm (3-15/16" x 3-1/16" x 1-9/16")	88 mm x 61 mm x 33 mm (3-1/2" x 2-3/8" x 1-5/16")
Peso neto	0,14 kg (0,31 lbs)	0,09 kg (0,20 lbs)

- Algunos de los cartuchos de batería indicados arriba puede que no estén disponibles dependiendo de su región de residencia.

⚠ ADVERTENCIA: Utilice solamente los cartuchos de batería listados arriba. La utilización de cualquier otro cartucho de batería puede ocasionar heridas y/o un incendio.

Símbolos

Algunos de los símbolos siguientes se utilizan para el producto. Asegúrese de entender sus significados antes de la utilización.



Lea el manual de instrucciones.



Ni-MH
Li-ion

Sólo para países de la Unión Europea
Debido a la presencia de componentes peligrosos en el equipo, el equipo eléctrico y electrónico, los acumuladores y las baterías desechados pueden tener un impacto negativo para el medioambiente y la salud humana.

¡No tire los aparatos eléctricos y electrónicos ni las baterías junto con los residuos domésticos!

De conformidad con las Directivas Europeas sobre residuos de aparatos eléctricos y electrónicos y sobre acumuladores y baterías, así como la adaptación de las mismas a la ley nacional, el equipo eléctrico, las baterías y los acumuladores desechados deberán ser almacenados por separado y trasladados a un punto distinto de recogida de desechos municipales, que cumpla con los reglamentos sobre protección medioambiental.

Esto se indica mediante el símbolo de cubo de basura tachado colocado en el equipo.

ADVERTENCIAS DE SEGURIDAD

⚠ ADVERTENCIA: Antes de utilizar, asegúrese de leer el manual de instrucciones del producto Makita que va a utilizar con este aparato.

⚠ ADVERTENCIA: Utilice el aparato solamente con los productos especificados por Makita. La utilización del aparato con productos no compatibles puede resultar en un incendio, calor excesivo, explosión, o fuga de electrolito.

Seguridad eléctrica

- No maneje el cable y la batería con las manos mojadas o grasientas.
- No utilice un cable USB dañado.
- No haga mal uso del cable. No utilice el cable para transportar, arrastrar o desenchufar. Mantenga el cable alejado de calor, aceite, y bordes cortantes.
- No deje ningún cable desconectado mientras se está suministrando alimentación de la batería. Los niños pequeños pueden poner la clavija con corriente en su boca y ocasionar heridas.
- No inserte clavos, alambres, ni otros elementos en el puerto USB de suministro de alimentación. Si lo hace podrá ocasionar un cortocircuito, que podrá ocasionar humo o un incendio.
- No conecte la fuente de alimentación al puerto USB. El puerto USB ha sido previsto solamente para cargar dispositivos de baja tensión. Coloque siempre la cubierta sobre el puerto USB cuando no esté cargando un dispositivo de baja tensión. De lo contrario, habrá riesgo de incendio.

7. **Recargue solamente con el cargador especificado por el fabricante. Un cargador que es apropiado para un tipo de batería puede crear un riesgo de incendio cuando se utiliza con otra batería.**
8. **Utilice el aparato solamente con las baterías designadas específicamente para él.** La utilización de cualquier otra batería puede crear un riesgo de heridas o incendio.
9. **Cuando la batería no esté siendo utilizada, guárdela alejada de otros objetos metálicos, como sujetapapeles, monedas, llaves, clavos, tornillos u otros objetos metálicos pequeños, que puedan hacer conexión entre un terminal y el otro.** Si se cortocircuitan entre sí los terminales de la batería podrán producirse quemaduras o un incendio.
10. **En condiciones abusivas, es posible que salga expulsado líquido de la batería; evite el contacto con él. Si se produce un contacto accidental, enjuague con agua. Si el líquido entra en los ojos, además de enjuagarlos, solicite asistencia médica.** El líquido expulsado de la batería puede ocasionar irritación y quemaduras.
11. **No utilice una batería ni el aparato que se va a utilizar con la batería si están dañados o han sido modificados.** Una batería o aparato dañado o modificado puede comportarse de forma impredecible resultando en un incendio, explosión o riesgo de heridas.
12. **No exponga una batería al fuego ni a una temperatura excesiva.** La exposición al fuego o a una temperatura superior a los 130°C puede ocasionar una explosión.
13. **Siga todas las instrucciones sobre la carga y no cargue la batería fuera del rango de temperatura especificado en las instrucciones.** Cargar incorrectamente o a temperaturas fuera del rango especificado puede dañar la batería y aumentar el riesgo de incendio.
14. **Haga que el servicio sea realizado por un reparador técnico cualificado utilizando solamente piezas de repuesto idénticas.** Esto garantizará que se mantendrá la seguridad del producto.
15. **No modifique ni intente reparar el aparato ni la batería excepto como se indica en las instrucciones para la utilización y el cuidado.**
4. **Si entra electrolito en sus ojos, aclárelos con agua limpia y acuda a un médico inmediatamente. Existe el riesgo de poder perder la vista.**
5. **No cortocircuite el cartucho de batería:**
 - (1) **No toque los terminales con ningún material conductor.**
 - (2) **Evite guardar el cartucho de batería en un cajón junto con otros objetos metálicos, como clavos, monedas, etc.**
 - (3) **No exponga el cartucho de batería al agua ni a la lluvia.**

Un cortocircuito en la batería puede producir una gran circulación de corriente, un recalentamiento, posibles quemaduras e incluso una rotura de la misma.
6. **No guarde ni utilice la herramienta y el cartucho de batería en lugares donde la temperatura pueda alcanzar o exceder los 50 °C.**
7. **Nunca incinere el cartucho de batería incluso en el caso de que esté dañado seriamente o ya no sirva en absoluto. El cartucho de batería puede explotar si se tira al fuego.**
8. **No clave, corte, aplaste, lance, deje caer el cartucho de batería, ni golpee contra un objeto duro el cartucho de batería.** Tal conducta podrá resultar en un incendio, calor excesivo, o una explosión.
9. **No utilice una batería dañada.**
10. **Las baterías de litio-ion contenidas están sujetas a los requisitos de la Legislación para Materiales Peligrosos.**

Para transportes comerciales, p.ej., por terceras personas y agentes de transportes, se deberán observar requisitos especiales para el empaquetado y etiquetado.

Para la preparación del artículo que se va a enviar, se requiere consultar con un experto en materiales peligrosos. Por favor, observe también la posibilidad de reglamentos nacionales más detallados.

Cubra con cinta aislante o enmascare los contactos expuestos y empaquete la batería de tal manera que no se pueda mover alrededor dentro del embalaje.
11. **Para desechar el cartucho de batería, retírelo de la herramienta y deséchelo en un lugar seguro. Siga los reglamentos locales referentes al desecho de la batería.**
12. **Utilice las baterías solamente con los productos especificados por Makita.** La instalación de las baterías en productos no compatibles puede resultar en un incendio, calor excesivo, explosión, o fuga de electrolito.
13. **Si la herramienta no va a ser utilizada durante un periodo de tiempo largo, la batería deberá ser retirada de la herramienta.**
14. **Durante y después de la utilización, el cartucho de batería podrá acumular calor, lo cual puede ocasionar quemaduras o quemaduras de baja temperatura. Preste atención al manejo de cartuchos de batería calientes.**

Instrucciones de seguridad importantes para el cartucho de batería

1. **Antes de utilizar el cartucho de batería, lea todas las instrucciones e indicaciones de precaución sobre (1) el cargador de baterías, (2) la batería, y (3) el producto con el que se utiliza la batería.**
2. **No desensamble ni manipule el cartucho de batería.** Podrá resultar en un incendio, calor excesivo, o una explosión.
3. **Si el tiempo de uso se acorta demasiado, cese la operación inmediatamente. Podría resultar en un riesgo de recalentamiento, posibles quemaduras e incluso una explosión.**

15. **No toque el terminal de la herramienta inmediatamente después de utilizar, dado que puede calentarse lo suficiente como para ocasionar quemaduras.**
16. **No permita que virutas, polvo, o tierra se adhieran dentro de los terminales, orificios, y ranuras del cartucho de batería. Podría resultar en un mal rendimiento o rotura de la herramienta o el cartucho de batería.**
17. **A menos que la herramienta pueda utilizarse cerca de cables eléctricos de alta tensión, no utilice el cartucho de batería cerca de cables eléctricos de alta tensión. Podrá resultar en un mal funcionamiento o rotura de la herramienta o el cartucho de batería.**
18. **Mantenga la batería alejada de los niños.**

GUARDE ESTAS INSTRUCCIONES.

⚠PRECAUCIÓN: Utilice solamente baterías genuinas de Makita. La utilización de baterías no genuinas de Makita, o baterías que han sido alteradas, puede resultar en una explosión de la batería ocasionando incendios, heridas personales y daños. También anulará la garantía de Makita para la herramienta y el cargador de Makita.

Consejos para alargar al máximo la vida de servicio de la batería

1. **Cargue el cartucho de batería antes de que se descargue completamente. Detenga siempre la operación y cargue el cartucho de batería cuando note menos potencia en la herramienta.**
2. **No cargue nunca un cartucho de batería que esté completamente cargado. La sobrecarga acortará la vida de servicio de la batería.**
3. **Cargue el cartucho de batería a temperatura ambiente de 10 °C - 40 °C. Si un cartucho de batería está caliente, déjelo enfriar antes de cargarlo.**
4. **Cuando no esté utilizando el cartucho de batería, retírelo de la herramienta o del cargador.**
5. **Cargue el cartucho de batería si no lo utiliza durante un periodo de tiempo prolongado (más de seis meses).**

DESCRIPCIÓN DE LAS PARTES

Este portabatería se puede utilizar para la chamarra/chaleco ventilado y chamarra/chaleco/cobija electro-térmico Makita siguientes.

► Fig.1

Grupo	Modelo
A	Chamarra/chaleco ventilado: DFV210, DFJ206, DFJ207, DFJ210, DFJ211, DFJ212, DFJ213, DFJ214, DFJ216, DFJ304, DFJ305, DFJ310, DFJ311, DFJ405, DFJ407, DFJ410, DFJ411, DFJ416 Chamarra/chaleco/cobija electro-térmico: CV102D, DCV202, CJ105D, CJ106D, DCJ205, DCJ206, CB100D, DCB200
B	Chamarra/chaleco ventilado: DFJ212A, DFJ213A, DFJ214A, DFJ216A, DFJ312A, DFJ416A, DFV210A, DFV214A

1. Indicador del nivel de potencia

Cuando se utiliza una chamarra/chaleco ventilado, se visualiza el nivel de potencia.

NOTA: Si utiliza las chamarras/chalecos ventilados del grupo A indicados arriba, el indicador 4 de nivel de potencia no se iluminará porque sus unidades de ventilador emplean un control de 3 pasos.

NOTA: Si utiliza la chamarra/chaleco/cobija electro-térmico, solamente se iluminará el indicador 4 de nivel de potencia.

2. Botón de alimentación

Para encender, inserte el cartucho de batería y después mantenga presionado el botón de alimentación hasta que el indicador del nivel de potencia se ilumine.

Para cambiar el nivel de potencia de la chamarra/chaleco ventilado, presione el botón de alimentación brevemente cuando la alimentación esté activada.

Para apagar, mantenga presionado el botón de alimentación hasta que el indicador del nivel de potencia se apague.

NOTA: Para cambiar la temperatura de la chamarra/chaleco/cobija electro-térmico, presione el botón de la chamarra/chaleco/cobija electro-térmico cuando esté encendido.

3. Toma de corriente

Conecte el cable de la chamarra/chaleco/cobija electro-térmico o el cable adaptador.

4. Cable adaptador para la chamarra/chaleco ventilado (accesorio opcional)

Utilice el cable adaptador cuando use los productos del grupo A indicados arriba.

5. Cable adaptador para la chamarra/chaleco/cobija electro-térmico (accesorio opcional)

Utilice el cable adaptador cuando use los productos del grupo A indicados arriba.

6. Cable de alimentación de la chamarra/chaleco/cobija

Para los productos del grupo A indicados arriba, conecte el cable adaptador apropiado para la chamarra/chaleco ventilado o la chamarra/chaleco/cobija electro-térmico.

Para los productos del grupo B indicados arriba, conéctelos a la toma de corriente del portabatería.

NOTA: La forma y ubicación de la toma variará en función de su chamarra/chaleco/cobija.

7. Cartucho de batería (accesorio opcional)

Inserte el cartucho de batería a fondo en el portabatería hasta que se bloquee en su sitio con un pequeño chasquido.

DESCRIPCIÓN DEL FUNCIONAMIENTO

Instalación o desmontaje del cartucho de batería

⚠PRECAUCIÓN: Sujete el portabatería y el cartucho de batería firmemente cuando instale o retire el cartucho de batería. Si no sujeta el portabatería y el cartucho de batería firmemente podrán escurrírsele de las manos y resultar en daños al portabatería y cartucho de batería y/o heridas personales.

⚠PRECAUCIÓN: Apague siempre el dispositivo antes de retirar el cartucho de batería.

► **Fig.2:** 1. Indicador rojo 2. Botón 3. Cartucho de batería 4. Portabatería

Para instalar el cartucho de batería, alinee la lengüeta del cartucho de batería con la acanaladura del alojamiento y deslícelo al interior hasta encajarlo en su sitio. Inserte el cartucho de batería a fondo hasta que se bloquee en su sitio con un pequeño chasquido. Si puede ver el indicador rojo en el lado superior del botón, no estará bloqueado completamente.

Para retirar el cartucho de batería, deslícelo del portabatería mientras presiona el botón de la parte frontal del cartucho.

⚠PRECAUCIÓN: Instale siempre el cartucho de batería completamente hasta que no pueda verse el indicador rojo. De lo contrario, el cartucho de batería podrá caerse accidentalmente del portabatería, ocasionando heridas a usted o a alguien que esté cerca de usted.

⚠PRECAUCIÓN: No instale el cartucho de batería empleando fuerza. Si el cartucho de batería no se desliza al interior fácilmente, será porque no está siendo insertado correctamente.

Colocación del portabatería

Puede colgar el portabatería en su cinturón. Para evitar que el portabatería se caiga accidentalmente, coloque una correa utilizando el agujero para correa y sujételo.

► **Fig.3:** 1. Agujero para correa

El portabatería tiene una función anticaída. Cuando retire el portabatería del cinturón, tire hacia arriba del portabatería mientras presiona el botón de desbloqueo.

► **Fig.4:** 1. Botón de desbloqueo

Conexión de dispositivos USB

⚠PRECAUCIÓN: Conecte solamente dispositivos que sean compatibles con el puerto USB de suministro de alimentación. Si no lo hace podrá ocasionar un mal funcionamiento del portabatería.

AVISO: Antes de conectar un dispositivo USB al portabatería (con la batería), haga siempre una copia de seguridad de los datos del dispositivo USB. Si no lo hace, podrá ocasionar una pérdida de sus datos.

AVISO: Es posible que el portabatería no suministre alimentación a algunos dispositivos USB.

AVISO: Cuando el dispositivo no se utilice o después de la carga, retire el cable USB y cierre la cubierta.

El portabatería (con el cartucho de batería) puede funcionar como toma de corriente externa para dispositivos USB.

Abra la cubierta y conecte un cable USB (no incluido) al puerto USB del portabatería. Conecte el otro extremo del cable al dispositivo. Para empezar a cargar, mantenga presionado el botón de alimentación hasta que el indicador del nivel de potencia se ilumine. Para detener la carga, mantenga presionado el botón de alimentación hasta que el indicador del nivel de potencia se apague.

► **Fig.5:** 1. Cubierta 2. Puerto USB

NOTA: La corriente de salida real variará dependiendo del dispositivo USB que se vaya a conectar.

NOTA: La energía en la batería se consume mientras el botón de alimentación está activado. Desactive siempre el interruptor cuando no se esté utilizando.

NOTA: Cuando cargue varios dispositivos USB uno tras otro, espere unos 10 segundos después de haberse completado la carga del dispositivo anterior antes de comenzar a cargar el dispositivo siguiente.

MANTENIMIENTO

AVISO: No utilice nunca gasolina, bencina, disolvente, alcohol ni similares. Podrá resultar en decoloración, deformación o grietas.

AVISO: No lave el portabatería con agua.

- Retire la suciedad, polvo, aceite, grasa, etc., de la carcasa con un paño limpio y seco o con uno sumergido en agua jabonosa y bien escurrido.
- Mantenga el aparato en un lugar en el que no vaya a estar extremadamente caliente, frío o húmedo.

Para mantener la SEGURIDAD y FIABILIDAD del producto, las reparaciones, y cualquier otra tarea de mantenimiento o ajuste deberán ser realizadas en centros de servicio o de fábrica autorizados por Makita, empleando siempre repuestos Makita.

ESPECIFICAÇÕES

Modelo	TD0000111 Suporte da bateria para bateria LXT	TD0000110 Suporte da bateria para bateria CXT
Tensão nominal	C.C. 14,4 V C.C. 18 V	C.C. 10,8 V - 12 V máx.
Bateria	BL1415N / BL1430B / BL1440 / BL1460B BL1815N / BL1820B / BL1830 / BL1830B / BL1840B / BL1850B / BL1860B	BL1016 / BL1021B / BL1041B
Porta de alimentação elétrica USB	C.C. 5 V, 2,4 A, Tipo A	
Dimensões (C x L x A)	100 mm x 78 mm x 39 mm	88 mm x 61 mm x 33 mm
Peso líquido	0,14 kg	0,09 kg

- Algumas das baterias listadas acima poderão não estar disponíveis, dependendo da sua região de residência.

AVISO: Utilize apenas as baterias listadas acima. A utilização de quaisquer outras baterias pode causar ferimentos e/ou um incêndio.

Símbolos

Alguns dos símbolos seguintes são utilizados para o produto. Certifique-se de que compreende o seu significado antes da utilização.



Leia o manual de instruções.



Ni-MH
Li-Ion

Apenas para países da UE
Devido à presença de componentes perigosos no equipamento, os resíduos de equipamentos elétricos e eletrônicos, acumuladores e baterias podem ter um impacto negativo no meio ambiente e na saúde humana.
Não elimine aparelhos elétricos e eletrônicos ou baterias juntamente com resíduos domésticos!
De acordo com a Diretiva europeia relativa aos resíduos de equipamentos elétricos e eletrônicos, acumuladores e baterias, bem como a respetiva adaptação à legislação nacional, os resíduos de equipamentos elétricos e eletrônicos, acumuladores e baterias devem ser armazenados separadamente e entregues num ponto de recolha separado para resíduos municipais, que opere de acordo com os regulamentos de proteção ambiental.
Tal é indicado pelo símbolo de contentor de lixo com rodas barrado com uma cruz colocado no equipamento.

AVISOS DE SEGURANÇA

AVISO: Antes da utilização, certifique-se de que lê o manual de instruções do produto Makita a utilizar com este aparelho.

AVISO: Utilize este aparelho apenas com os produtos especificados pela Makita. Utilizar o aparelho com produtos não conformes poderá resultar em incêndio, calor excessivo, explosão ou fuga de eletrólito.

Segurança elétrica

1. Não manuseie o cabo e a bateria com as mãos molhadas ou gordurosas.
2. Não utilize um cabo USB danificado.
3. Não force o cabo. Não utilize o cabo para transportar, puxar ou desligar a ficha da tomada. Mantenha o cabo afastado do calor, de óleo e de bordos afiados.
4. Não deixe qualquer cabo desligado enquanto a energia da bateria estiver sendo fornecida. As crianças pequenas poderão colocar a ficha sob tensão na boca e causar ferimentos.
5. Não insira pregos, fios ou outros artigos na porta de alimentação elétrica USB. Ao fazê-lo, poderá causar curto-circuito, o que pode causar fumo ou um incêndio.
6. Não ligue a fonte de alimentação à porta USB. A porta USB apenas se destina a carregar dispositivos de baixa tensão. Coloque sempre a tampa sobre a porta USB quando não estiver a carregar um dispositivo de baixa tensão. Caso contrário, existe o risco de incêndio.
7. Recarregue apenas com o carregador especificado pelo fabricante. Um carregador adequado para um tipo de bateria poderá criar um risco de incêndio quando utilizado com outra bateria.

8. **Utilize aparelhos apenas com conjuntos de baterias especificamente designados.** A utilização de quaisquer outros conjuntos de baterias poderá criar um risco de ferimentos e incêndio.
9. **Quando a bateria não está a ser utilizada, mantenha-a afastada de outros objetos metálicos, como cliques, moedas, chaves, pregos, parafusos ou outros objetos metálicos pequenos que possam fazer a ligação entre os dois terminais.** Colocar os terminais da bateria em curto-circuito um com o outro pode provocar queimaduras ou um incêndio.
10. **Em condições abusivas, o líquido pode ser ejetado da bateria; evite o contacto com o mesmo. Se ocorrer um contacto acidental, lave com água. Se o líquido entrar em contacto com os olhos, procure também assistência médica.** O líquido ejetado da bateria pode provocar irritações ou queimaduras.
11. **Não utilize uma bateria ou o aparelho a utilizar com a bateria se estiverem danificados ou modificados.** A bateria ou o aparelho danificados ou modificados poderão exibir um comportamento imprevisível, resultando em incêndio, explosão ou risco de ferimentos.
12. **Não exponha um conjunto de baterias a incêndio ou temperatura excessiva.** A exposição a incêndio ou a uma temperatura superior a 130 °C poderá causar uma explosão.
13. **Siga todas as instruções de carregamento e não carregue o conjunto de baterias fora da amplitude de temperaturas especificada nas instruções.** O carregamento incorreto ou a temperaturas fora da amplitude especificada poderá danificar a bateria e aumentar o risco de incêndio.
14. **A assistência deve ser efetuada por um técnico de reparação qualificado utilizando apenas peças de substituição idênticas.** Tal garante que a segurança do produto é mantida.
15. **Não modifique nem tente reparar o aparelho ou o conjunto de baterias, exceto conforme indicado nas instruções de utilização e manutenção.**
- (2) **Evite guardar a bateria juntamente com outros objetos metálicos tais como pregos, moedas, etc.**
- (3) **Não exponha a bateria à água ou chuva. Um curto-circuito pode ocasionar um enorme fluxo de corrente, sobreaquecimento, possíveis queimaduras e mesmo estragar-se.**
6. **Não guarde nem utilize a ferramenta e a bateria em locais onde a temperatura pode atingir ou exceder 50 °C.**
7. **Não queime a bateria mesmo que esteja estragada ou completamente gasta. A bateria pode explodir no fogo.**
8. **Não pregue, corte, esmague, atire, deixe cair a bateria, nem bata a bateria contra um objeto rijo.** Esta conduta pode resultar num incêndio, em calor excessivo ou numa explosão.
9. **Não utilize uma bateria danificada.**
10. **As baterias de íões de lítio contidas na ferramenta são sujeitas aos requisitos da DGL (Dangerous Goods Legislation - Legislação de bens perigosos).**
Para o transporte comercial, por exemplo, por terceiros ou agentes de expedição, têm de ser observados os requisitos referentes à embalagem e etiquetagem.
Para preparação do artigo a ser expedido, é necessário consultar um perito em materiais perigosos. Tenha ainda em conta a possibilidade de existirem regulamentos nacionais mais detalhados.
Coloque fita-cola ou tape os contactos abertos e embale a bateria de tal forma que não possa mover-se dentro da embalagem.
11. **Quando eliminar a bateria, remova-a da ferramenta e elimine-a num local seguro. Siga os regulamentos locais relacionados com a eliminação de baterias.**
12. **Utilize as baterias apenas com os produtos especificados pela Makita.** Instalar as baterias em produtos não-conformes poderá resultar num incêndio, calor excessivo, explosão ou fuga de eletrólito.
13. **Se a ferramenta não for utilizada durante um período de tempo prolongado, a bateria deve ser removida da ferramenta.**
14. **Durante e após a utilização, a bateria pode aquecer, o que pode provocar queimaduras ou queimaduras a baixa temperatura. Preste atenção ao manuseamento de baterias quentes.**
15. **Não toque no terminal da ferramenta imediatamente após a utilização, pois pode ficar suficientemente quente para provocar queimaduras.**
16. **Não permita a adesão de aparas, pó ou sujidade nos terminais, nos orifícios e nas ranhuras da bateria.** Pode resultar no fraco desempenho ou na avaria da ferramenta ou bateria.
17. **A menos que a ferramenta suporte a utilização perto de linhas elétricas de alta tensão, não utilize a bateria perto de linhas elétricas de alta tensão.** Pode resultar no mau funcionamento ou na avaria da ferramenta ou bateria.

Instruções de segurança importantes para a bateria

1. **Antes de utilizar a bateria, leia todas as instruções e etiquetas de precaução no (1) carregador de bateria (2) bateria e (3) produto que utiliza a bateria.**
2. **Não desmonte ou manipule a bateria.** Pode resultar num incêndio, em calor excessivo ou numa explosão.
3. **Se o tempo de funcionamento se tornar excessivamente curto, pare o funcionamento imediatamente. Pode resultar em sobreaquecimento, possíveis queimaduras e mesmo explosão.**
4. **Se entrar eletrólito nos seus olhos, lave-os com água e consulte imediatamente um médico. Pode resultar em perda de visão.**
5. **Não coloque a bateria em curto-circuito:**
 - (1) **Não toque nos terminais com qualquer material condutor.**

18. Mantenha a bateria afastada das crianças.

GUARDE ESTAS INSTRUÇÕES.

⚠️PRECAUÇÃO: Utilize apenas baterias genuínas da Makita. A utilização de baterias não genuínas da Makita ou de baterias que foram alteradas, pode resultar no rebentamento da bateria provocando incêndios, ferimentos pessoais e danos. Além disso, anulará da garantia da Makita no que se refere à ferramenta e ao carregador Makita.

Conselhos para manter a máxima vida útil da bateria

1. Carregue a bateria antes que esteja completamente descarregada. Pare sempre o funcionamento da ferramenta e carregue a bateria quando notar menos poder na ferramenta.
2. Nunca carregue uma bateria completamente carregada. Carregamento excessivo diminui a vida útil da bateria.
3. Carregue a bateria à temperatura ambiente de 10 °C – 40 °C. Deixe que uma bateria quente arrefeça antes de a carregar.
4. Quando não utilizar a bateria, remova-a da ferramenta ou do carregador.
5. Carregue a bateria se não a utilizar durante um longo período de tempo (mais de seis meses).

DESCRIÇÃO DAS PEÇAS

Este suporte pode ser utilizado para os seguintes produtos Makita: jaqueta ventilada/colete ventilado e jaqueta térmica/colete térmico/manta térmica.

► Fig.1

Grupo	Modelo
A	Jaqueta ventilada/colete ventilado: DFV210, DFJ206, DFJ207, DFJ210, DFJ211, DFJ212, DFJ213, DFJ214, DFJ216, DFJ304, DFJ305, DFJ310, DFJ311, DFJ405, DFJ407, DFJ410, DFJ411, DFJ416 Jaqueta térmica/colete térmico/manta térmica: CV102D, DCV202, CJ105D, CJ106D, DCJ205, DCJ206, CB100D, DCB200
B	Jaqueta ventilada/colete ventilado: DFJ212A, DFJ213A, DFJ214A, DFJ216A, DFJ312A, DFJ416A, DFV210A, DFV214A

1. Indicador do nível de potência

Quando utilizar uma jaqueta ventilada/um colete ventilado, é apresentado o nível de potência.

NOTA: Se utilizar as jaquetas ventiladas/os coletes ventilados no grupo A listados acima, o indicador do nível de potência 4 não irá acender porque as respectivas unidades da ventoinha utilizam o controlo de 3 passos.

NOTA: Se utilizar a jaqueta térmica/o colete térmico/a manta térmica, apenas o indicador do nível de potência 4 irá acender.

2. Botão de alimentação

Para ligar, insira a bateria e, em seguida, pressione e mantenha pressionado o botão de alimentação até o indicador do nível de potência acender.
Para alterar o nível de potência da jaqueta ventilada/do colete ventilado, pressione o botão de alimentação por breves instantes quando a alimentação estiver ligada.
Para desligar, pressione e mantenha pressionado o botão de alimentação até o indicador do nível de potência apagar.

NOTA: Para alterar o calor da jaqueta térmica/do colete térmico/da manta térmica, pressione o botão na jaqueta térmica/no colete térmico/na manta térmica quando a alimentação estiver ligada.

3. Tomada elétrica

Ligue o cabo da jaqueta/do colete/da manta ou o cabo adaptador.

4. Cabo adaptador para jaqueta ventilada/colete ventilado (acessório opcional)

Utilize o cabo adaptador quando utilizar os produtos no grupo A listados acima.

5. Cabo adaptador para jaqueta térmica/colete térmico/manta térmica (acessório opcional)

Utilize o cabo adaptador quando utilizar os produtos no grupo A listados acima.

6. Cabo de alimentação da jaqueta/do colete/da manta

Para os produtos no grupo A listados acima, ligue o cabo adaptador adequado para a jaqueta ventilada/o colete ventilado ou a jaqueta térmica/o colete térmico/a manta térmica.

Para os produtos no grupo B listados acima, ligue à tomada elétrica do suporte da bateria.

NOTA: A forma e a localização da tomada variam em função da jaqueta/do colete/da manta.

7. Bateria (acessório opcional)

Insira a bateria completamente no suporte até bloquear na posição correta com um pequeno clique.

DESCRIÇÃO FUNCIONAL

Instalar ou remover a bateria

⚠️PRECAUÇÃO: Segure firmemente o suporte da bateria e a bateria quando instalar ou remover a bateria. Se não segurar firmemente o suporte da bateria e a bateria, poderá fazer com que estes escorreguem das suas mãos e provocar danos no suporte da bateria e na bateria e/ou uma lesão física.

⚠️PRECAUÇÃO: Desligue sempre o dispositivo antes de remover a bateria.

► Fig.2: 1. Indicador vermelho 2. Botão 3. Bateria 4. Suporte da bateria

Para instalar a bateria, alinhe a lingueta na bateria com a ranhura no compartimento e deslize-a para a posição correta. Insira a bateria completamente até bloquear na posição correta com um pequeno clique. Se conseguir visualizar o indicador vermelho no lado superior do botão, esta não está completamente bloqueada.

Para remover a bateria, deslize-a a partir do suporte da bateria enquanto pressiona o botão na parte frontal da bateria.

⚠️ PRECAUÇÃO: Insira sempre a bateria completamente até deixar de poder visualizar o indicador vermelho. Caso contrário, a bateria poderá cair acidentalmente do suporte da bateria, causando ferimentos a si ou a alguém perto de si.

⚠️ PRECAUÇÃO: Não instale a bateria à força. Se a bateria não deslizar facilmente, não está a ser inserida corretamente.

Fixar o suporte da bateria

Pode pendurar o suporte da bateria no seu cinto. Para evitar que o suporte da bateria caia acidentalmente, prenda uma tira utilizando o orifício da tira de fixação.

► **Fig.3:** 1. Orifício da tira

O suporte da bateria possui uma função anti-queda. Quando remover o suporte da bateria do cinto, puxe o suporte da bateria para cima enquanto pressiona o botão de desbloqueio.

► **Fig.4:** 1. Botão de desbloqueio

Estabelecer a ligação de dispositivos USB

⚠️ PRECAUÇÃO: Estabeleça a ligação de dispositivos apenas compatíveis com a porta de alimentação elétrica USB. Se não o fizer poderá causar a avaria do suporte da bateria.

OBSERVAÇÃO: Antes de ligar um dispositivo USB ao suporte da bateria (com a bateria), faça sempre a cópia de segurança dos dados no dispositivo USB. Se não o fizer poderá causar a perda dos seus dados.

OBSERVAÇÃO: O suporte da bateria poderá não fornecer alimentação a alguns dispositivos USB.

OBSERVAÇÃO: Quando não estiver em utilização ou após o carregamento, remova o cabo USB e feche a tampa.

O suporte da bateria (com a bateria) pode funcionar como uma fonte de alimentação externa para dispositivos USB.

Abra a tampa e ligue um cabo USB (não incluído) à porta USB do suporte da bateria. Em seguida, ligue a outra extremidade do cabo ao dispositivo. Para começar o carregamento, pressione e mantenha pressionado o botão de alimentação até o indicador do nível de potência acender. Para parar o carregamento, pressione e mantenha pressionado o botão de alimentação até o indicador do nível de potência apagar.

► **Fig.5:** 1. Tampa 2. Porta USB

NOTA: A corrente de saída efetiva varia em função do dispositivo USB a ligar.

NOTA: A potência da bateria é consumida enquanto o botão de alimentação estiver ligado. Desligue sempre o interruptor quando não estiver em utilização.

NOTA: Quando carregar múltiplos dispositivos USB sucessivamente, aguarde cerca de 10 segundos após o carregamento do dispositivo anterior ter sido concluído antes de iniciar o carregamento do dispositivo seguinte.

MANUTENÇÃO

OBSERVAÇÃO: Nunca utilize gasolina, benzina, diluente, álcool ou produtos semelhantes. Poderá resultar em descoloração, deformação ou fissuras.

OBSERVAÇÃO: Não lave o suporte da bateria com água.

- Limpe a sujidade, o pó, o óleo, a massa lubrificante, etc. na caixa com um pano seco limpo ou um pano embebido em água com sabão e firmemente torcido.
- Mantenha o aparelho num local que não seja extremamente quente, frio ou húmido.

Para manter a SEGURANÇA e a FIABILIDADE do produto, as reparações e qualquer outra manutenção ou ajuste devem ser levados a cabo pelos centros de assistência Makita autorizados ou pelos centros de assistência de fábrica, utilizando sempre peças de substituição Makita.

SPECIFIKATIONER

Model	TD00000111 Batterholder til LXT akku	TD00000110 Batterholder til CXT akku
Mærkespænding	DC 14,4 V DC 18 V	DC Maks. 10,8 V - 12 V
Akku	BL1415N / BL1430B / BL1440 / BL1460B BL1815N / BL1820B / BL1830 / BL1830B / BL1840B / BL1850B / BL1860B	BL1016 / BL1021B / BL1041B
USB-strømforsyningsport	DC DC 5 V, 2,4 A, Type A	
Dimensioner (L x B x H)	100 mm x 78 mm x 39 mm	88 mm x 61 mm x 33 mm
Nettovægt	0,14 kg	0,09 kg

- Nogle af de akkuer, der er angivet ovenfor, er muligvis ikke tilgængelige, afhængigt af hvilket område du bor i.

⚠ ADVARSEL: Brug kun de akkuer, der er angivet ovenfor. Brug af andre akkuer kan medføre personskaade og/eller brand.

Symboler

Nogle af de følgende symboler benyttes til produktet. Sørg for, at du forstår deres betydning før brugen.



Læs betjeningsvejledningen.



Ni-MH
Li-ion

Kun for lande inden for EU
På grund af tilstedeværelsen af farlige komponenter i udstyret kan affald af elektrisk og elektronisk udstyr, akkumulatører og batterier have en negativ indvirkning på miljøet og folkesundheden. Bortskaf ikke elektriske og elektroniske apparater eller batterier sammen med husholdningsaffald!
I overensstemmelse med EF-direktiv om affaldshåndtering af elektrisk og elektronisk udstyr og om akkumulatører og batterier og affaldsakkumulatører og -batterier, og i overensstemmelse med national lovgivning, skal brugt elektrisk udstyr, batterier og akkumulatører opbevares separat og leveres til et separat indsamlingssted for kommunalt affald, der er etableret i henhold til bestemmelserne om miljøbeskyttelse. Dette er angivet ved symbolet på den krydsede skraldespand, der er placeret på udstyret.

SIKKERHEDSADVARSLER

⚠ ADVARSEL: Læs brugsanvisningen til det Makita-produkt, der skal anvendes sammen med dette apparat før ibrugtagelsen.

⚠ ADVARSEL: Brug kun dette apparat sammen med de produkter, der er specificeret af Makita. Brug af apparatet med produkter, som ikke er kompatible, kan resultere i brand, kraftig varme, eksplosion eller lækage af elektrolyt.

Elektrisk sikkerhed

1. **Undlad at håndtere ledningen og batteriet med våde eller fedtede hænder.**
2. **Brug ikke et beskadiget USB-kabel.**
3. **Misbrug ikke ledningen. Brug ikke ledningen til at bære eller trække, eller til at trække stikket ud. Hold ledningen væk fra varme, olie og skarpe kanter.**
4. **Lad ikke en ledning ligge, hvis den er taget ud, mens der tilføres batteristrøm.** Små børn kan putte det strømførende stik i munden, hvilket kan medføre personskaade.
5. **Indsæt ikke søm, tråde eller andre genstande i USB-strømforsyningsporten.** Dette kan medføre kortslutning, som kan forårsage røg eller brand.
6. **Slut ikke strømkilden til USB-porten. USB-porten er kun beregnet til opladning af lavspændingsenheder. Sæt altid dækslet over USB-porten, når du ikke oplader en lavspændingsenhed.** Ellers er der risiko for brand.
7. **Genoplad kun med den oplader, som fabrikanten har specificeret.** En oplader, der er beregnet til én type akku, kan medføre risiko for brand, hvis den bruges sammen med en anden akku.
8. **Brug kun apparater med specifikt udpegede batteripakker.** Brug af andre batteripakker kan medføre risiko for personskaade og brand.
9. **Når batteripakker ikke anvendes, skal de holdes borte fra andre metalgenstande som papirclips, mønter, nøgler, søm, skruer og andre små metalgenstande, der kan skabe forbindelse mellem terminalerne.** Hvis batteriets terminaler kortsluttes, kan det forårsage brand.
10. **I tilfælde af misbrug kan der sprøjte væske ud fra batteriet. Undgå kontakt. Skyl med vand, hvis De kommer i kontakt med væsken. Sørg læge, hvis De får væske i øjet.** Væske, der sprøjter ud fra batteriet, kan medføre irritation eller forbrændinger.

11. **Brug ikke et batteri eller apparatet, der skal anvendes med batteriet, hvis de er modificeret eller beskadiget.** Et beskadiget eller modificeret batteri eller apparat kan udvise en uforudsigelig adfærd, der kan resultere i brand, eksplosion eller risiko for personskade.
12. **Udsæt ikke en batteripakke for ild eller høj temperatur.** Udsættelse for ild eller en temperatur over 130° C kan forårsage eksplosion.
13. **Følg alle instruktioner til opladningen og oplad ikke batteripakken uden for det temperaturinterval, der er angivet i instruktionerne.** Forkert opladning eller temperaturer uden for det specificerede område kan beskadige batteriet og øge brandrisikoen.
14. **Lad service udføres af en kvalificeret reparatør kun ved brug af identiske reservedele.** Dette vil sikre, at produktets sikkerhed opretholdes.
15. **Undlad at modificere eller forsøge på at reparere apparatet eller batteripakken, undtagen som angivet i instruktionerne for brug og vedligeholdelse.**
10. **De indbyggede litium-ion-batterier er underlagt lovkrav vedrørende farligt gods.** Ved kommerciel transport, f.eks. af tredjeparts transportselskaber, skal særlige krav til forpakning og mærkning overholdes. Ved forberedelse af udstyret til forsendelse skal du kontakte en ekspert i farligt gods. Overhold også eventuel mere detaljeret national lovgivning. Tape eller tildæk åbne kontakter, og pak batteriet på en måde, så det ikke kan flytte sig rundt i pakningen.
11. **Når akkuen bortskaffes, skal du fjerne den fra maskinen og bortskaffe den på et sikkert sted. Følg de lokale love vedrørende bortskaffelsen af batterier.**
12. **Brug kun batterierne med de produkter, som Makita specificerer.** Hvis batterierne installeres i ikke-kompatible produkter, kan det medføre brand, kraftig varme, eksplosion eller udsivning af elektrolyt.
13. **Hvis maskinen ikke skal bruges i længere tid ad gangen, skal du fjerne batteriet fra maskinen.**
14. **Akkuen kan muligvis under og efter brug være varm, hvilket kan forårsage forbrændinger eller lavtemperaturforbrændinger. Vær påpasselig med håndtering af varme akkuer.**
15. **Rør ikke terminalerne på maskinen straks efter brug, da den bliver varm nok til at forårsage forbrændinger.**
16. **Sørg for at spåner, støv eller jord ikke sætter sig fast inde i terminalerne, hullerne og rillerne på akkuen.** Det kan muligvis medføre dårlig ydelse eller nedbrud af maskinen eller akkuen.
17. **Medmindre maskinen understøtter brugen i nærheden af elektriske højspændingsledninger, skal du ikke anvende akkuen i nærheden af elektriske højspændingsledninger.** Det kan muligvis medføre funktionsfejl på eller nedbrud af maskinen eller akkuen.
18. **Opbevar batteriet utilgængeligt for børn.**

Vigtige sikkerhedsinstruktioner for akkuen

1. **Læs alle instruktioner og advarselmærkater på (1) akku-opladeren, (2) akkuen og (3) produktet, som anvender akku.**
2. **Adskil eller ændr ikke akkuen.** Det kan muligvis resultere i en brand, overdreven varme eller eksplosion.
3. **Hold straks op med anvendelsen, hvis brugstiden er blevet stærkt afkortet.** Fortsat anvendelse kan resultere i risiko for overophedning, forbrændinger og endog eksplosion.
4. **Hvis De har fået elektrolytvæske i øjnene, skal De straks skylle den ud med rent vand og derefter øjeblikkeligt søge lægehjælp.** I modsat fald kan De miste synet.
5. **Vær påpasselig med ikke at komme til at kortslutte akkuen:**
 - (1) Rør ikke ved terminalerne med noget ledende materiale.
 - (2) Undgå at opbevare akkuen i en beholder sammen med andre genstande af metal, for eksempel søm, mønter og lignende.
 - (3) Udsæt ikke akkuen for vand eller regn. Kortslutning af akkuen kan forårsage en kraftig øgning af strømmen, overophedning, mulige forbrændinger og endog værktøjstop.
6. **Opbevar og brug ikke maskinen og akkuen på steder, hvor temperaturen muligvis kan nå eller overstige 50° C.**
7. **Lad være med at brænde akkuen, selv ikke i tilfælde, hvor den har lidt alvorlig skade eller er fuldstændig udtjent.** Akkuen kan eksplodere, hvis man forsøger at brænde den.
8. **Slå ikke søm i, skær ikke i, knus, kast, tab ikke akkuen og stød ikke akkuen mod en hård genstand.** Sådan adfærd kan muligvis resultere i en brand, overdreven varme eller eksplosion.
9. **Anvend ikke en beskadiget akku.**

GEM DENNE BRUGSANVISNING.

⚠FORSIGTIG: Brug kun originale batterier fra Makita. Brug af uoriginale Makita-batterier, eller batterier som er blevet ændret, kan muligvis medføre brud på batteriet, hvilket kan forårsage brand, personskade eller beskadigelse. Det ugyldiggør også Makita-garantien for Makita-maskinen og opladeren.

Tips til opnåelse af maksimal akku-levetid

1. **Oplad akkuen, inden den er helt afladet. Stop altid værktøjet, og oplad akkuen, hvis De bemærker, at værktøjeffekten er aftagende.**
2. **Genoplad aldrig en fuldt opladet akku. Overopladning vil afkorte akkuens levetid.**
3. **Oplad akkuen ved stuetemperatur ved 10° C - 40° C.** Lad altid en varm akku få tid til at køle af, inden den oplades.
4. **Når du ikke anvender akkuen, skal du fjerne den fra maskinen eller opladeren.**
5. **Oplad akkuen, hvis De ikke skal bruge den i længere tid (mere end seks måneder).**

BESKRIVELSE AF DELENE

Denne holder kan bruges til at følge Makita ventilationsjakke/vest og opvarmet jakke/vest/tæppe.

► Fig.1

Gruppe	Model
A	Ventilationsjakke/vest: DFV210, DFJ206, DFJ207, DFJ210, DFJ211, DFJ212, DFJ213, DFJ214, DFJ216, DFJ304, DFJ305, DFJ310, DFJ311, DFJ405, DFJ407, DFJ410, DFJ411, DFJ416 Opvarmet jakke/vest/tæppe: CV102D, DCV202, CJ105D, CJ106D, DCJ205, DCJ206, CB100D, DCB200
B	Ventilationsjakke/vest: DFJ212A, DFJ213A, DFJ214A, DFJ216A, DFJ312A, DFJ416A, DFV210A, DFV214A

1. Indikator for strømniveau

Når du bruger en ventilationsjakke/vest, vises strømiveauet.

BEMÆRK: Hvis du bruger ventilationsjakkerne/vestene i gruppe A, der er anført ovenfor, lyser strømiveauindikatoren 4 ikke, fordi deres ventilatorenheder anvender 3-trins kontrol.

BEMÆRK: Hvis du bruger den/det opvarmede jakke/vest/tæppe, vil kun strømiveauindikator 4 lyse.

2. Afbryderknap

For at tænde skal du indsætte akkuen og derefter trykke og holde ned på afbryderknappen indtil strømiveauindikatoren lyser.

For at ændre strømiveauet på ventilationsjakken/vesten skal du trykke kort på afbryderknappen, når strømmen er tændt.

For at slukke skal du trykke og holde ned på afbryderknappen indtil strømiveauindikatoren slukkes.

BEMÆRK: For at ændre varmen på den/det opvarmede jakke/vest/tæppe skal du trykke på knappen på den/det opvarmede jakke/vest/tæppe, når den/det får strøm.

3. Strømtikket

Tilslut kablet fra jakken/vesten/tæppet eller adapterkablet.

4. Adapterkabel til ventilationsjakke/vest (ekstraustyr)

Brug adapterkabel, når du bruger produkterne i gruppe A, der er anført ovenfor.

5. Adapterkabel til opvarmet jakke/vest/tæppe (ekstraustyr)

Brug adapterkabel, når du bruger produkterne i gruppe A, der er anført ovenfor.

6. Strømkabel til jakken/vesten/tæppet

For produkterne i gruppe A, der er anført ovenfor, skal du tilslutte det passende adapterkabel til ventilationsjakken/vesten eller den/det opvarmede jakke/vest/tæppe.

Produkterne i gruppe B, der er anført ovenfor, skal slutes til strømtikket på batteriholderen.

BEMÆRK: Strømtikkets form og placering varierer afhængigt af jakken/vesten/tæppet.

7. Akku (ekstraustyr)

Sæt akkuen i holderen og skub den ind til den låses på plads med et lille klik.

FUNKTIONSBEKRIVELSE

Installation eller fjernelse af akkuen

⚠FORSIGTIG: Hold godt fast i batteriholderen og akkuen, når du installerer eller fjerner akkuen. Hvis du ikke holder fast i batteriholderen og akkuen, kan de falde ud af hænderne på dig og medføre beskadigelse af batteriholderen og akkuen og/eller personskaade.

⚠FORSIGTIG: Sluk altid for apparatet, før du installerer eller fjerner akkuen.

► Fig.2: 1. Rød indikator 2. Knap 3. Akku 4. Batteriholder

Ved installation af akkuen justeres tungen på akkuen med rillen i huset, hvorefter den skubbes på plads. Sæt akkuen hele vejen ind, indtil den låses på plads med et lille klik. Hvis du kan se den røde indikator øverst på knappen, er den ikke låst helt fast.

Ved fjernelse af akkuen trækkes den ud af batteriholderen, idet der trykkes på knappen foran på akkuen.

⚠FORSIGTIG: Sæt altid akkuen helt ind, indtil den røde indikator ikke er synlig. Ellers kan akkuen falde ud af batteriholderen ved et uheld og forårsage personskaade på dig selv eller personer i nærheden.

⚠FORSIGTIG: Undlad at bruge magt for at isætte akkuen. Hvis akkuen ikke glider let ind, er den ikke isat korrekt.

Montering af batteriholderen

Du kan hænge batteriholderen i livremmen.

For at undgå, at batteriholderen falder ned ved et uheld, skal du sætte en snor i snorhullet og fastgøre den.

► Fig.3: 1. Snorhul

Batteriholderen har en funktion til at forhindre, at den tabes. Når batteriholderen fjernes fra livremmen, skal du trække batteriholderen op, idet der trykkes på lås fra-knappen.

► Fig.4: 1. Lås fra-knap

Tilslutning af USB-enheder

⚠ FORSIGTIG: Du må kun tilslutte enheder, der er kompatible med USB-strømforsyningsporten. Hvis du ikke gør dette, kan det medføre funktionsfejl i batteriholderen.

BEMÆRKNING: Før du slutter en USB-enhed til batteriholderen (med batteriet), skal du altid sikkerhedskopiere dataene på USB-enheden. Hvis du ikke gør dette, kan det medføre tab af dataene.

BEMÆRKNING: Batteriholderen leverer muligvis ikke strøm til nogle USB-enheder.

BEMÆRKNING: Fjern USB-kablet og luk dækslet, når enheden ikke er i brug eller efter opladning.

Batteriholderen (med akkuen) kan fungere som en ekstern strømforsyning for USB-enheder.

Åbn dækslet, og tilslut et USB-kabel (medfølger ikke) til USB-porten på batteriholderen. Tilslut derefter den anden ende af kablet til enheden. For at starte opladningen skal du trykke og holde ned på afbryderknappen indtil indikatoren for strømniveau lyser. For at stoppe opladningen skal du trykke og holde ned på afbryderknappen indtil indikatoren for strømniveau slukkes.

► Fig.5: 1. Dæksel 2. USB-port

BEMÆRK: Den aktuelle udgangsstrøm varierer afhængigt af den USB-enhed, der skal tilsluttes.

BEMÆRK: Der forbruges batteristrøm, når afbryderknappen er tændt. Sluk altid for afbryderknappen, når den ikke er i brug.

BEMÆRK: Ved opladning af flere USB-enheder efter hinanden skal du vente cirka 10 sekunder, efter at opladningen af den forrige enhed er færdig, før du begynder at oplade den næste enhed.

VEDLIGEHOLDELSE

BEMÆRKNING: Anvend aldrig benzin, rensbenzin, fortyndervæske, sprit eller lignende. Dette kan forårsage misfarvning, deformation eller revner.

BEMÆRKNING: Vask ikke batteriholderen med vand.

- Rengør kabinettet for snavs, støv, olie, fedt osv. med en ren, tør klud eller med en hårdt opvredet klud, som er blevet dyppet i sæbevand.
- Opbevar apparatet på et sted, hvor det ikke er ekstremt varmt, koldt eller fugtigt.

For at opretholde produktets SIKKERHED og PÅLIDELIGHED må reparation, vedligeholdelse eller justering kun udføres af et autoriseret Makita servicecenter eller fabrikksservicecenter med anvendelse af Makita reservedele.

ΠΡΟΔΙΑΓΡΑΦΕΣ

Μοντέλο	TD0000111 Υποδοχάς μπαταριών για κασέτα μπαταριών LXT	TD0000110 Υποδοχάς μπαταριών για κασέτα μπαταριών CXT
Ονομαστική τάση	D.C. 14,4 V D.C. 18 V	D.C. 10,8 V - 12 V μέγ.
Κασέτα μπαταριών	BL1415N / BL1430B / BL1440 / BL1460B BL1815N / BL1820B / BL1830 / BL1830B / BL1840B / BL1850B / BL1860B	BL1016 / BL1021B / BL1041B
Θύρα ηλεκτρικής παροχής USB	D.C. 5 V, 2,4 A, Τύπος A	
Διαστάσεις (Μ x Π x Υ)	100 mm x 78 mm x 39 mm	88 mm x 61 mm x 33 mm
Καθαρό βάρος	0,14 kg	0,09 kg

- Ορισμένες από τις κασέτες μπαταριών που αναγράφονται παραπάνω μπορεί να μην είναι διαθέσιμες, ανάλογα με την περιοχή κατοικίας σας.

⚠ ΠΡΟΕΙΔΟΠΟΙΗΣΗ: Να χρησιμοποιείτε μόνο τις κασέτες μπαταριών που παρατίθενται ανωτέρω. Η χρήση οποιασδήποτε άλλης κασέτας μπαταριών μπορεί να προκαλέσει τραυματισμό ή/και πυρκαγιά.

Σύμβολα

Μερικά από τα ακόλουθα σύμβολα χρησιμοποιούνται για το προϊόν. Βεβαιωθείτε ότι κατανοείτε τη σημασία τους πριν από τη χρήση.



Διαβάστε το εγχειρίδιο οδηγιών.



Ni-MH
Li-Ion

Μόνο για τις χώρες της ΕΕ
Λόγω της παρούσας των επικίνδυνων συστατικών μερών στον εξοπλισμό, ο απόβλητος ηλεκτρικός και ηλεκτρονικός εξοπλισμός, οι συσσωρευτές και οι μπαταρίες μπορεί να έχουν αρνητική επίδραση στο περιβάλλον και την ανθρώπινη υγεία. Μην απορρίπτετε τις ηλεκτρικές και ηλεκτρονικές συσκευές ή μπαταρίες μαζί με τα οικιακά απορρίμματα!

Σύμφωνα με την Ευρωπαϊκή Οδηγία για τον απόβλητο ηλεκτρικό και ηλεκτρονικό εξοπλισμό και για τους συσσωρευτές και μπαταρίες και τους απόβλητους συσσωρευτές και μπαταρίες, καθώς και την προσαρμογή τους στην εθνική νομοθεσία, ο απόβλητος ηλεκτρικός εξοπλισμός, οι μπαταρίες και οι συσσωρευτές θα πρέπει να αποθηκεύονται ξεχωριστά και να παραδίδονται σε ξεχωριστό σημείο συλλογής για δημοτικά απόβλητα, το οποίο λειτουργεί σύμφωνα με τους κανονισμούς για την προστασία του περιβάλλοντος. Αυτό υποδεικνύεται από το σύμβολο του διαγραμμένου τροχοφόρου κάδου που βρίσκεται αναρτημένο επάνω στον εξοπλισμό.

ΠΡΟΕΙΔΟΠΟΙΗΣΕΙΣ ΑΣΦΑΛΕΙΑΣ

⚠ ΠΡΟΕΙΔΟΠΟΙΗΣΗ: Πριν από τη χρήση, βεβαιωθείτε να διαβάσετε το εγχειρίδιο οδηγιών του προϊόντος Makita που θα χρησιμοποιήσετε με αυτή τη συσκευή.

⚠ ΠΡΟΕΙΔΟΠΟΙΗΣΗ: Να χρησιμοποιείτε αυτή τη συσκευή μόνο με τα προϊόντα που καθορίζονται από την Makita. Η χρήση της συσκευής με μη συμβατά προϊόντα μπορεί να έχει ως αποτέλεσμα πυρκαγιά, υπερβολική θερμότητα, έκρηξη ή διαρροή του ηλεκτρολύτη.

Ηλεκτρική ασφάλεια

1. Μην χειρίζεστε το καλώδιο και την μπαταρία με βρεγμένα ή λαδωμένα χέρια.
2. Μην χρησιμοποιείτε κατεστραμμένο καλώδιο USB.
3. Μην κακομεταχειρίζεστε το καλώδιο. Μην χρησιμοποιείτε το καλώδιο για μεταφορά, έλξη ή αποσύνδεση. Να διατηρείτε το καλώδιο μακριά από θερμότητα, λάδια και αιχμηρά άκρα.
4. Μην αφήνετε κανένα καλώδιο αποσυνδεδεμένο ενώ παρέχεται ισχύς στην μπαταρία. Τα μικρά παιδιά μπορεί να βάλουν το ηλεκτροφόρο φως στο στόμα τους και να προκληθεί τραυματισμός.
5. Μην εισαγάγετε καρφιά, σύρματα ή άλλα αντικείμενα μέσα στη θύρα ηλεκτρικής παροχής USB. Αν το κάνετε αυτό, μπορεί να προκληθεί βραχυκύκλωμα, το οποίο μπορεί να προκαλέσει καπνό ή πυρκαγιά.

Σημαντικές οδηγίες ασφάλειας για κασέτα μπαταριών

- Μην συνδέετε την ηλεκτρική πηγή με τη θύρα USB. Η θύρα USB προορίζεται μόνο για τη φόρτιση συσκευής χαμηλής τάσης. Να τοποθετείτε πάντα το κάλυμμα πάνω από τη θύρα USB όταν δεν φορτίζετε μια συσκευή χαμηλής τάσης. Διαφορετικά, υπάρχει κίνδυνος πυρκαγιάς.
 - Να επαναφορτίζετε μόνο με το φορτιστή που καθορίζεται από τον κατασκευαστή. Ένας φορτιστής που είναι κατάλληλος για μια συγκεκριμένη κασέτα μπαταριών μπορεί να δημιουργήσει κίνδυνο πυρκαγιάς όταν χρησιμοποιείται με μια άλλη κασέτα μπαταριών.
 - Να χρησιμοποιείτε συσκευές μόνο με ειδικά καθορισμένες κασέτες μπαταριών. Η χρήση κάθε άλλης κασέτας μπαταριών μπορεί να δημιουργήσει κίνδυνο τραυματισμού και πυρκαγιάς.
 - Όταν δεν χρησιμοποιείται η κασέτα μπαταριών, διατηρήστε τη μακριά από άλλα μεταλλικά αντικείμενα, όπως συνδετήρες, κέρματα, κλειδιά, καρφιά, βίδες ή άλλα μικρά μεταλλικά αντικείμενα, με τα οποία μπορεί να δημιουργηθεί σύνδεση από τον έναν ακροδέκτη στον άλλον. Το βραχυκύκλωμα των ακροδεκτών της μπαταρίας μπορεί να προκαλέσει εγκαύματα ή πυρκαγιά.
 - Υπό συνθήκες κατάχρησης, μπορεί να εξαχθεί υγρό από την μπαταρία. Να αποφεύγετε την επαφή. Εάν συμβεί επαφή κατά λάθος, εκπλύνετε με νερό. Εάν το υγρό έρθει σε επαφή με τα μάτια, αναζητήστε και ιατρική βοήθεια. Το υγρό που εξάγεται από την μπαταρία μπορεί να προκαλέσει ερεθισμό ή εγκαύματα.
 - Μην χρησιμοποιείτε μια μπαταρία ή μια συσκευή με μπαταρία αν είναι κατεστραμμένες ή έχουν υποστεί τροποποιήσεις. Η κατεστραμμένη ή τροποποιημένη μπαταρία ή συσκευή μπορεί να εκδηλώσει απρόβλεπτη συμπεριφορά, έχοντας ως αποτέλεσμα φωτιά, έκρηξη ή κίνδυνο τραυματισμού.
 - Μην εκθέτετε την κασέτα μπαταριών σε φωτιά ή υπερβολικά υψηλή θερμοκρασία. Η έκθεση σε φωτιά ή θερμοκρασία άνω των 130 °C μπορεί να προκαλέσει έκρηξη.
 - Ακολουθήστε όλες τις οδηγίες φόρτισης και μην φορτίσετε την κασέτα μπαταριών εκτός του θερμοκρασιακού εύρους που καθορίζεται στις οδηγίες. Η λανθασμένη φόρτιση ή η φόρτιση σε θερμοκρασίες εκτός του καθορισμένου εύρους μπορεί να προκαλέσει ζημιά στην μπαταρία και να αυξήσει τον κίνδυνο πυρκαγιάς.
 - Να φροντίζετε η εργασία σέρβις να γίνεται από αρμόδιο επαγγελματία χρησιμοποιώντας μόνο γνήσια ανταλλακτικά. Έτσι θα είστε σίγουροι για τη διατήρηση της ασφάλειας του προϊόντος.
 - Μην τροποποιήσετε και μην επιχειρήσετε να επισκευάσετε τη συσκευή ή την κασέτα μπαταριών, εκτός αν υποδεικνύεται στις οδηγίες χρήσης και φροντίδας.
- Πριν χρησιμοποιήσετε την κασέτα μπαταριών, διαβάστε όλες τις οδηγίες και σημειώσεις προφυλάξης (1) στον φορτιστή μπαταριών, (2) στην μπαταρία και (3) στο προϊόν που χρησιμοποιεί την μπαταρία.
 - Μην αποσυναρμολογήσετε ή παραβιάσετε την κασέτα μπαταριών. Μπορεί να έχει ως αποτέλεσμα πυρκαγιά, υπερθέρμανση ή έκρηξη.
 - Εάν ο χρόνος λειτουργίας έχει γίνει υπερβολικά βραχύς, σταματήστε τη λειτουργία αμέσως. Αλλιώς, μπορεί να έχει ως αποτέλεσμα κίνδυνο υπερθέρμανσης, πιθανά εγκαύματα ή ακόμη και έκρηξη.
 - Εάν ηλεκτρολύτης μπει στα μάτια σας, ξεπλύνετε τα με καθαρό νερό και ζητήστε ιατρική φροντίδα αμέσως. Αλλιώς, μπορεί να έχει ως αποτέλεσμα απώλεια της όρασης σας.
 - Μην βραχυκυκλώνετε την κασέτα μπαταριών:
 - Μην αγγίζετε τους πόλους με οτιδήποτε αγώγιμο υλικό.
 - Αποφεύγετε να αποθηκεύετε την κασέτα μπαταριών μέσα σε ένα δοχείο μαζί με άλλα μεταλλικά αντικείμενα όπως καρφιά, νομίσματα, κλπ.
 - Μην εκθέτετε την κασέτα μπαταριών στο νερό ή στη βροχή.Ένα βραχυκύκλωμα μπαταρίας μπορεί να προκαλέσει μεγάλη ροή ρεύματος, υπερθέρμανση, πιθανά εγκαύματα ακόμη και σοβαρή βλάβη.
 - Μην αποθηκεύετε και μην χρησιμοποιείτε το εργαλείο και την κασέτα μπαταριών σε τοποθεσίες όπου η θερμοκρασία μπορεί να φτάσει ή να ξεπεράσει τους 50°C.
 - Μην καίτε την κασέτα μπαταριών ακόμη και εάν έχει σοβαρή ζημιά ή είναι εντελώς φθαρμένη. Η κασέτα μπαταριών μπορεί να εκραγεί στη φωτιά.
 - Μην καρφώσετε, κόψετε, συνθλίψετε, πετάξετε ή ριζέτε κάτω την κασέτα μπαταριών, ούτε να χτυπήσετε ένα σκληρό αντικείμενο επάνω στην κασέτα μπαταριών. Τέτοια συμπεριφορά μπορεί να έχει ως αποτέλεσμα πυρκαγιά, υπερθέρμανση ή έκρηξη.
 - Μην χρησιμοποιείτε μπαταρία που έχει υποστεί ζημιά.
 - Οι μπαταρίες ιόντων λιθίου που περιέχονται υπόκεινται στις απαιτήσεις της νομοθεσίας για επικίνδυνα αγαθά.
Για εμπορικές μεταφορές, για παράδειγμα από τρίτα μέρη, πρέπει να τηρούνται οι διαμεταφορές, οι ειδικές απαιτήσεις στη συσκευασία και η επισήμανση.
Για προετοιμασία του στοιχείου που αποστέλλεται, είναι απαραίτητο να συμβουλευτείτε έναν ειδικό για επικίνδυνα υλικά. Επίσης, τηρήστε τους πιθανούς, πιο αναλυτικούς εθνικούς κανονισμούς. Καλύψτε με αυτοκόλλητη ταινία ή κρύψτε τις ανοικτές επαφές και συσκευάστε την μπαταρία με τρόπο που να μην μπορεί να μετακινείται μέσα στη συσκευασία.

- Όταν απορρίπτετε την κασέτα μπαταριών, αφαιρέστε την από το εργαλείο και διαθέστε την σε ένα ασφαλές μέρος. Τηρήστε τους τοπικούς κανονισμούς που σχετίζονται με τη διάθεση της μπαταρίας.
- Χρησιμοποιήστε τις μπαταρίες μόνο με τα προϊόντα που καθορίζει η Makita. Αν τοποθετήσετε τις μπαταρίες σε μη συμβατά προϊόντα μπορεί να έχει ως αποτέλεσμα πυρκαγιά, υπερβολική θερμότητα, έκρηξη ή διαρροή ηλεκτρολύτη.
- Αν δεν χρησιμοποιείτε το εργαλείο για μεγάλο χρονικό διάστημα, πρέπει να βγάλετε την μπαταρία από το εργαλείο.
- Κατά τη διάρκεια και μετά τη χρήση, η κασέτα μπαταριών μπορεί να θερμανθεί, γεγονός που μπορεί να προκαλέσει εγκαύματα ή εγκαύματα από χαμηλή θερμοκρασία. Προσέχετε το χειρισμό των ζεστών κασετών μπαταριών.
- Μην αγγίζετε τον ακροδέκτη του εργαλείου αμέσως μετά τη χρήση επειδή μπορεί να έχει ζεσταθεί αρκετά για να προκαλέσει εγκαύματα.
- Μην αφήνετε θραύσματα, σκόνη ή βρομιά να κολλήσει στους ακροδέκτες, τις οπές και τις εγκοπές της κασέτας μπαταριών. Μπορεί να έχει ως αποτέλεσμα κακή απόδοση ή στάσιμο του εργαλείου ή της κασέτας μπαταριών.
- Εκτός αν το εργαλείο υποστηρίζει τη χρήση κοντά σε ηλεκτρικές γραμμές υψηλής τάσης, μην χρησιμοποιείτε την κασέτα μπαταριών κοντά σε ηλεκτρικές γραμμές υψηλής τάσης. Μπορεί να έχει ως αποτέλεσμα δυσλειτουργία ή στάσιμο του εργαλείου ή της κασέτας μπαταριών.
- Κρφυλάξτε την μπαταρία μακριά από παιδιά.

ΦΥΛΑΞΤΕ ΤΙΣ ΟΔΗΓΙΕΣ ΑΥΤΕΣ.

▲ΠΡΟΣΟΧΗ: Να χρησιμοποιείτε μόνο γνήσιες μπαταρίες της Makita. Η χρήση μη γνήσιων μπαταριών Makita, ή μπαταριών που έχουν τροποποιηθεί, μπορεί να έχει ως αποτέλεσμα τη ρήξη της μπαταρίας, προκαλώντας πυρκαγιά, προσωπικό τραυματισμό και βλάβη. Επίσης, θα ακυρωθεί η εγγύηση της Makita για το εργαλείο και φορτιστή Makita.

Συμβουλές για τη διατήρηση της μέγιστης ζωής μπαταρίας

- Φορτίζετε την κασέτα μπαταριών πριν από την πλήρη αποφόρτιση της. Πάντοτε να σταματάτε τη λειτουργία του εργαλείου και να φορτίζετε την κασέτα μπαταριών όταν παρατηρήσει μειωμένη ισχύ εργαλείου.
- Ποτέ μην επαναφορτίζετε μια πλήρως φορτισμένη κασέτα μπαταριών. Η υπερφόρτιση μειώνει την ωφέλιμη ζωή της μπαταρίας.
- Να φορτίζετε την κασέτα μπαταριών σε θερμοκρασία δωματίου, δηλαδή στους 10 °C έως 40 °C. Αφήστε μια θερμή κασέτα μπαταριών να κρυώσει πριν την φορτίσετε.
- Όταν δεν χρησιμοποιείτε την κασέτα μπαταριών, αφαιρέστε την από το εργαλείο ή τον φορτιστή.
- Να φορτίζετε την κασέτα μπαταριών εάν δεν τη χρησιμοποιείτε για μεγάλη χρονική περίοδο (περισσότερο από έξι μήνες).

ΠΕΡΙΓΡΑΦΗ ΕΞΑΡΤΗΜΑΤΩΝ

Αυτός ο υποδοχέας μπορεί να χρησιμοποιηθεί για την παρακάτω ζακέτα/γυλέκο με ανεμιστήρα και θερμομόνη ζακέτα/γυλέκο/κουβέρτα της Makita.

► **Εικ.1**

Ομάδα	Μοντέλο
A	Ζακέτα/γυλέκο με ανεμιστήρα: DFV210, DFJ206, DFJ207, DFJ210, DFJ211, DFJ212, DFJ213, DFJ214, DFJ216, DFJ304, DFJ305, DFJ310, DFJ311, DFJ405, DFJ407, DFJ410, DFJ411, DFJ416 Θερμομόνη ζακέτα/γυλέκο/κουβέρτα: CV102D, DCV202, CJ105D, CJ106D, DCJ205, DCJ206, CB100D, DCB200
B	Ζακέτα/γυλέκο με ανεμιστήρα: DFJ212A, DFJ213A, DFJ214A, DFJ216A, DFJ312A, DFJ416A, DFV210A, DFV214A

1. Ένδειξη επιπέδου ισχύος

Όταν χρησιμοποιείτε ζακέτα/γυλέκο με ανεμιστήρα, εμφανίζεται το επίπεδο ισχύος.

ΠΑΡΑΤΗΡΗΣΗ: Αν χρησιμοποιείτε τις ζακέτες/γυλέκο με ανεμιστήρα στην ομάδα A που παρατίθεται ανωτέρω, η ένδειξη επιπέδου ισχύος 4 δεν θα ανάψει επειδή οι μονάδες ανεμιστήρων τους χρησιμοποιούν έλεγχο 3 βημάτων.

ΠΑΡΑΤΗΡΗΣΗ: Αν χρησιμοποιήσετε τη θερμομόνη ζακέτα/γυλέκο/κουβέρτα, μόνο η ένδειξη επιπέδου ισχύος 4 θα ανάψει.

2. Κουμπί λειτουργίας

Για ενεργοποίηση, εισαγάγετε την κασέτα μπαταριών και μετά πατήστε παρατεταμένα το κουμπί λειτουργίας μέχρι να ανάψει η ένδειξη στάθμης ισχύος. Για να αλλάξετε το επίπεδο ισχύος της ζακέτας/γυλέκου με ανεμιστήρα, πατήστε στιγμιαία το κουμπί λειτουργίας όταν η ισχύς είναι ενεργοποιημένη. Για απενεργοποίηση, πατήστε παρατεταμένα το κουμπί λειτουργίας μέχρι να σβήσει η ένδειξη επιπέδου ισχύος.

ΠΑΡΑΤΗΡΗΣΗ: Για να αλλάξετε τη θερμότητα της θερμομόνης ζακέτας/γυλέκου/κουβέρτας, πατήστε το κουμπί στη θερμομόνη ζακέτα/γυλέκο/κουβέρτα όταν είναι ενεργοποιημένη.

3. Υποδοχή ισχύος

Συνδέστε το καλώδιο από τη ζακέτα/γυλέκο/κουβέρτα ή το καλώδιο προσαρμογέα.

4. Καλώδιο προσαρμογέα για ζακέτα/γυλέκο με ανεμιστήρα (προαιρετικό εξάρτημα)

Χρησιμοποιήστε το καλώδιο προσαρμογέα όταν χρησιμοποιείτε τα προϊόντα στην ομάδα A που παρατίθενται ανωτέρω.

5. Καλώδιο προσαρμογέα για θερμομόνη ζακέτα/γυλέκο/κουβέρτα (προαιρετικό εξάρτημα)

Χρησιμοποιήστε το καλώδιο προσαρμογέα όταν χρησιμοποιείτε τα προϊόντα στην ομάδα A που παρατίθενται ανωτέρω.

6. Ηλεκτρικό καλώδιο της ζακέτας/γιλέκου/κουβέρτας

Για τα προϊόντα στην ομάδα Α που παρατίθενται ανωτέρω, συνδέστε το κατάλληλο καλώδιο προσαρμογέα για τη ζακέτα/γιλέκο με ανεμιστήρα ή θερμαινόμενη ζακέτα/γιλέκο/κουβέρτα.

Για τα προϊόντα στην ομάδα Β που παρατίθενται ανωτέρω, συνδέστε στην ηλεκτρική πρίζα του υποδοχέα μπαταριών.

ΠΑΡΑΤΗΡΗΣΗ: Το σχήμα και η τοποθεσία της υποδοχής διαφέρουν ανάλογα με τη ζακέτα/γιλέκο/κουβέρτα που διαθέτετε.

7. Κασέτα μπαταριών (προαιρετικό εξάρτημα)

Εισαγάγετε την κασέτα μπαταριών στον υποδοχέα μέχρι τέρας ώστε να ασφαλίσει στη θέση της, γεγονός που υποδεικνύεται με ένα απαλό ήχο.

ΠΕΡΙΓΡΑΦΗ ΛΕΙΤΟΥΡΓΙΑΣ

Τοποθέτηση ή αφαίρεση της κασέτας μπαταριών

▲ ΠΡΟΣΟΧΗ: Να κρατάτε τον υποδοχέα μπαταριών και την κασέτα μπαταριών σταθερά κατά την τοποθέτηση ή αφαίρεση της κασέτας μπαταριών. Αν δεν κρατάτε τον υποδοχέα μπαταριών και την κασέτα μπαταριών σταθερά, μπορεί γλιστρήσουν από τα χέρια σας και να προκληθεί ζημιά στον υποδοχέα μπαταριών και την κασέτα μπαταριών ή/και προσωπικός τραυματισμός.

▲ ΠΡΟΣΟΧΗ: Να σβήνετε πάντα τη συσκευή πριν αφαιρέσετε την κασέτα μπαταριών.

► **Εικ.2:** 1. Κόκκινη ένδειξη 2. Κουμπί 3. Κασέτα μπαταριών 4. Υποδοχέας μπαταριών

Για να τοποθετήσετε την κασέτα μπαταριών, ευθυγραμμίστε τη γλωττίδα στην κασέτα μπαταριών με την αύλακα στο περίβλημα και σύρετέ τη στη θέση της. Εισαγάγετε την κασέτα μπαταριών τέρμα μέχρι να ασφαλίσει στη θέση της, γεγονός που υποδεικνύεται με ένα απαλό ήχο. Αν μπορείτε να δείτε την κόκκινη ένδειξη στην επάνω πλευρά του κουμπιού, δεν έχει κλειδώσει τελείως.

Για να αφαιρέσετε την κασέτα μπαταριών, σύρετέ την από τον υποδοχέα μπαταριών ενώ πατάτε το κουμπί στο μπροστινό μέρος της κασέτας.

▲ ΠΡΟΣΟΧΗ: Να τοποθετείτε πάντα την κασέτα μπαταριών πλήρως μέχρι να μη βλέπετε την κόκκινη ένδειξη. Διαφορετικά, η κασέτα μπαταριών μπορεί να πέσει κατά λάθος από τον υποδοχέα μπαταριών, προκαλώντας τραυματισμό σε εσάς ή σε κάποιον που βρίσκεται κοντά σας.

▲ ΠΡΟΣΟΧΗ: Μην τοποθετείτε την κασέτα μπαταριών με βία. Αν η κασέτα μπαταριών δεν σύρετε με ευκολία, δεν είναι τοποθετημένη σωστά.

Σύνδεση του υποδοχέα μπαταριών

Μπορείτε να κρεμάσετε τον υποδοχέα μπαταριών στη ζώνη σας.

Για να αποφευχθεί η πτώση του υποδοχέα μπαταριών κατά λάθος, συνδέστε έναν ιμάντα χρησιμοποιώντας την σπή ιμάντα και ασφαλίστε τον.

► **Εικ.3:** 1. Οπή ιμάντα

Ο υποδοχέας μπαταριών διαθέτει μια λειτουργία προστασίας από τις πτώσεις. Όταν βγάξετε τον υποδοχέα μπαταριών από τη ζώνη, τραβήξτε προς τα πάνω τον υποδοχέα μπαταριών ενώ πατάτε το κουμπί ξεκλειδώματος.

► **Εικ.4:** 1. Κουμπί ξεκλειδώματος

Σύνδεση συσκευών USB

▲ ΠΡΟΣΟΧΗ: Να συνδέετε μόνο συσκευές που είναι συμβατές με τη θύρα ηλεκτρικής παροχής USB. Αν δεν το κάνετε αυτό, μπορεί να προκληθεί δυσλειτουργία του υποδοχέα μπαταριών.

ΕΙΔΟΠΟΙΗΣΗ: Πριν συνδέετε μια συσκευή USB στον υποδοχέα μπαταριών (με την μπαταρία), να δημιουργείτε πάντα αντίγραφο ασφαλείας των δεδομένων στη συσκευή USB. Αν δεν το κάνετε αυτό, μπορεί να χάσετε τα δεδομένα σας.

ΕΙΔΟΠΟΙΗΣΗ: Ο υποδοχέας μπαταριών μπορεί να μην παρέχει ισχύ σε μερικές συσκευές USB.

ΕΙΔΟΠΟΙΗΣΗ: Όταν δεν χρησιμοποιείται ή μετά τη φόρτιση, αφαιρέστε το καλώδιο USB και κλείστε το κάλυμμα.

Ο υποδοχέας μπαταριών (με την κασέτα μπαταριών) μπορεί να λειτουργήσει ως εξωτερική ηλεκτρική παροχή για συσκευές USB.

Ανοίξτε το κάλυμμα και συνδέστε ένα καλώδιο USB (δεν περιλαμβάνεται) με τη θύρα USB του υποδοχέα μπαταριών. Μετά, συνδέστε το άλλο άκρο του καλωδίου στη συσκευή. Για να ξεκινήσετε τη φόρτιση, πατήστε παρατεταμένα το κουμπί λειτουργίας μέχρι να ανάψει η ένδειξη επιπέδου ισχύος. Για να διακόψετε τη φόρτιση, πατήστε παρατεταμένα το κουμπί λειτουργίας μέχρι να σβήσει η ένδειξη επιπέδου ισχύος.

► **Εικ.5:** 1. Κάλυμμα 2. Θύρα USB

ΠΑΡΑΤΗΡΗΣΗ: Το πραγματικό ρεύμα εξόδου διαφέρει ανάλογα με τη συσκευή USB που θα συνδεθεί.

ΠΑΡΑΤΗΡΗΣΗ: Καταναλώνεται ισχύς μπαταρίας όταν το κουμπί λειτουργίας είναι ανοικτό. Να απενεργοποιείτε πάντα τον διακόπτη όταν δεν χρησιμοποιείται.

ΠΑΡΑΤΗΡΗΣΗ: Όταν φορτίζετε πολλαπλές συσκευές USB διαδοχικά, περιμένετε περίπου 10 δευτερόλεπτα μετά την ολοκλήρωση της φόρτισης της προηγούμενης συσκευής πριν ξεκινήσετε να φορτίζετε την επόμενη συσκευή.

ΣΥΝΤΗΡΗΣΗ

ΕΙΔΟΠΟΙΗΣΗ: Μην χρησιμοποιείτε ποτέ βενζίνη, πετρελαϊκό αιθέρα, διαλυτικό, αλκοόλη ή παρόμοιες ουσίες. Μπορεί να προκληθεί αποχρωματισμός, παραμόρφωση ή ρωγμές.

ΕΙΔΟΠΟΙΗΣΗ: Μην πλένετε τον υποδοχέα μπαταριών με νερό.

- Σκουπίστε τη βρομιά, σκόνη, λάδι, γράσο, κτλ. από το περίβλημα με ένα καθαρό στεγνό πανί ή με ένα πανί που έχετε εμποτίσει με σαπουνόνερο και μετά έχετε στύψει καλά.
- Διατηρήστε τη συσκευή σε ένα μέρος όπου δεν θα είναι υπερβολικά ζεστή, κρύα ή υγρή.

Για τη διατήρηση της ΑΣΦΑΛΕΙΑΣ και ΑΞΙΟΠΙΣΤΙΑΣ του προϊόντος, οι επισκευές και οποιαδήποτε άλλη εργασία συντήρησης ή ρύθμισης πρέπει να εκτελούνται από εξουσιοδοτημένα ή εργοστασιακά κέντρα εξυπηρέτησης της Makita, χρησιμοποιώντας πάντοτε ανταλλακτικά της Makita.

TEKNİK ÖZELLİKLER

Model	TD00000111 LXT batarya kartuşu için batarya yuvası	TD00000110 CXT batarya kartuşu için batarya yuvası
Anma gerilimi	D.C. 14,4 V D.C. 18 V	D.C. 10,8 V - 12 V maks
Batarya kartuşu	BL1415N / BL1430B / BL1440 / BL1460B BL1815N / BL1820B / BL1830 / BL1830B / BL1840B / BL1850B / BL1860B	BL1016 / BL1021B / BL1041B
USB güç besleme bağlantı noktası	D.C. 5 V, 2,4 A, Tip A	
Ebat (U x G x Y)	100 mm x 78 mm x 39 mm	88 mm x 61 mm x 33 mm
Net ağırlık	0,14 kg	0,09 kg

- Yukarıda listelenen batarya kartuşlarının bazıları yaşadığınız bölgeye bağlı olarak mevcut olmayabilir.

UYARI: Sadece yukarıda listelenen batarya kartuşlarını kullanın. Başka batarya kartuşlarının kullanılması yaralanma ve/veya yangına neden olabilir.

Semboller

Ürün için aşağıdaki simgelerden bazıları kullanılır. Kullanmadan önce anlamlarını anladığınızdan emin olun.



El kitabını okuyun.



Ni-MH
Li-Ion

Sadece AB ülkeleri için
Ekipmanda tehlikeli bileşenler bulunduğundan dolayı atık elektrikli ve elektronik ekipmanlar, aküler ve bataryalar çevre ve insan sağlığı üzerinde olumsuz etkiye yol açabilir.
Elektrikli ve elektronik cihazları veya bataryaları evsel atıklarla birlikte atmayın!
Atık elektrikli ve elektronik ekipmanlar ile akümülatörler ve bataryalar hakkındaki Avrupa Direktifi ve söz konusu direktifin ulusal yasalara uyarlanması gereğince atık elektrikli ekipmanlar, bataryalar ve akümülatörler ayrı olarak depolanmalı ve çevre koruma hakkındaki mevzuata uygun olarak faaliyet gösteren ayrı bir kentsel atık toplama noktasına teslim edilmelidir.
Bu husus, ekipmanın üzerine yerleştirilmiş üzerinde çarpı işareti bulunan tekerlekli çöp kovası simgesi ile belirtilmiştir.

Elektrik güvenliği

- Kablo ve bataryaya ıslak veya yağlı ellerle dokunmayın.**
- Hasarlı USB kablosu kullanmayın.**
- Kabloyu amacı dışında kullanmayın. Taşımak, çekmek veya prizden çıkarmak için kabloyu kullanmayın. Kabloyu ısı, yağ ve keskin uçlardan uzak tutun.**
- Batarya gücü sağlanırken hiçbir kabloyu ayırk bırakmayın.** Küçük çocuklar üzerinden akım geçen fişi ağızlarına sokarak yaralanmaya neden olabilirler.
- USB güç besleme bağlantı noktasına çivi, tel veya başka nesnelere sokmayın.** Aksi takdirde kısa devreye neden olarak duman veya yangına yol açabilir.
- Güç kaynağını USB bağlantı noktasına bağlamayın. USB bağlantı noktası sadece düşük gerilimli cihazları şarj etmek için tasarlanmıştır. Düşük gerilimli cihazı şarj etmezken mutlaka kapağı USB bağlantı noktasına takın.** Aksi takdirde yangın tehlikesi vardır.
- Sadece üretici tarafından belirtilen şarj aleti ile şarj edin. Bir batarya tipine uygun bir şarj aletini başka tipte bir bataryayı şarj etmek için kullanıldığında yangın riski yaratabilir.**
- Cihazları sadece özel olarak belirtilen batarya kutuları ile kullanın.** Başka batarya kutularının kullanılması yaralanma ve yangın riski oluşturabilir.
- Batarya kutusu kullanılmadığında; iki terminal arasında bağlantı kurulmasına sebep olabilecek ataç, bozuk para, anahtar, çivi, vida gibi metal nesnelere ya da küçük metal objelerden uzak tutun.** Batarya terminallerine kısa devre yaptırmak yanıklara ya da yangına yol açabilir.

GÜVENLİK UYARILARI

UYARI: Kullanmadan önce, bu cihazla kullanılacak Makita ürününüzün kullanma kılavuzunu mutlaka okuyun.

UYARI: Bu cihazı sadece Makita tarafından belirtilen ürünlerle kullanın. Cihazın uyumsuz ürünlerle kullanılması; yangın, aşırı ısınma, patlama ya da elektrolit sızıntısına neden olabilir.

10. **Kötü koşullarda bataryadan sıvı sızabilir; bu sıvıya temas etmeyin. Eğer istemeden bir temas olursa suyla yıkayın. Sıvı göze temas ederse, suyla yıkadıktan sonra tıbbi yardım alın.** Bataryadan çıkan sıvı tahrişe ya da yanıklara neden olabilir.
11. **Hasar görmüş veya üzerinde değişiklik yapılmışsa bataryayı veya batarya ile kullanılacak cihazı kullanmayın.** Hasar görmüş ya da üzerinde değişiklik yapılmış cihaz yangın, patlama veya yaralanma riski ile sonuçlanan beklenmedik davranışlar sergileyebilir.
12. **Batarya kutusunu ateşe ya da aşırı sıcaklıklara maruz bırakmayın.** Ateşe ya da 130 °C'nin üzerindeki sıcaklıklara maruz bırakmak patlamaya neden olabilir.
13. **Tüm şarj talimatlarına uyun ve batarya kutusunu yönergelerde belirtilen sıcaklık aralığının dışındaki sıcaklıklarda şarj etmeyin.** Uygun olmayan bir şekilde ya da belirtilen sıcaklık aralığının dışında şarj etmek bataryaya zarar verebilir ve yangın riskini artırabilir.
14. **Servisin nitelikli bir onarım personeli tarafından sadece orijinal yedek parçalar kullanılarak yapılmasını sağlayın.** Bu, ürünün güvenli kalmasını sağlar.
15. **Cihaz veya batarya kutusu üzerinde, kullanım ve bakım talimatlarında belirtilenlerin dışında değişiklik yapmayın ya da onarmaya çalışmayın.**
8. **Batarya kartuşunu çivilemeyin, kesmeyin, ezmeyin, fırlatmayın, düşürmeyin ya da batarya kartuşuna sert bir nesne ile vurmayın.** Bu eylemler yangın, aşırı ısı veya patlamaya neden olabilir.
9. **Hasarlı bataryayı kullanmayın.**
10. **Aletin içerdiği lityum-iyon bataryalar Tehlikeli Eşyalar Yönetmeliğinin gereksinimlerine tabidir.**
Ticari nakliye işlemleri için, örneğin üçüncü taraflar, nakliye acenteleri tarafından yapılan nakliyelerde, paketleme ve etiketleme gereksinimlerine uyulmalıdır.
Nakliyesi yapılacak ürünün hazırlanması için, tehlikeli maddeler konusunda uzman bir kişiye danışın. Lütfen muhtemelen daha ayrıntılı olan ulusal yönetmeliklere de uyun.
Açık kontakları bantlayın ya da maskeleyin ve bataryayı paketin içinde hareket etmeyecek şekilde paketleyin.
11. **Batarya kartuşunu bertaraf ederken aletten çıkarın ve güvenli bir yerde bertaraf edin. Bataryanın bertaraf edilmesi ile ilgili yerel düzenlemelere uyunuz.**
12. **Bataryaları sadece Makita tarafından belirtilen ürünlerle kullanın.** Bataryaların uyumsuz ürünlere takılması; yangın, aşırı ısınma, patlama ya da elektrolit sızıntısına neden olabilir.
13. **Alet uzun süre kullanılmayacaksa batarya aletten çıkarılmalıdır.**
14. **Kullanma sırasında ve sonrasında batarya kartuşu ısınarak yanıklara veya düşük sıcaklık yanıklarına yol açabilir. Sıcak batarya kartuşları ile işlem yaparken dikkat edin.**
15. **Yanıklara neden olabilecek kadar sıcak olabileceğinden kullandıktan hemen sonra aletin terminaline dokunmayın.**
16. **Batarya kartuşunun terminallerine, deliklerine ve kanallarına micir, toz veya toprak girmesine izin vermeyin.** Aletin veya batarya kartuşunun zayıf performans göstermesine veya bozulmasına neden olabilir.
17. **Alet yüksek gerilim elektrik güç hatlarında kullanımı desteklemediği sürece batarya kartuşunu yüksek gerilim elektrik güç hatlarının yakınında kullanmayın.** Aletin veya batarya kartuşunun arızalanmasına veya bozulmasına neden olabilir.
18. **Bataryayı çocuklardan uzak tutun.**

Batarya kartuşu hakkında önemli güvenlik talimatları

1. **Batarya kartuşunu kullanmadan önce, tüm talimatları ve (1) batarya kartuşu, (2) batarya ve (3) ürün üzerindeki tüm uyarı işaretlerini okuyun.**
2. **Batarya kartuşunu parçalarına ayırmayın veya kuralamayın.** Yangın, aşırı ısı veya patlamaya neden olabilir.
3. **Çalışma süresi aşırı derecede kısalmışsa kullanmayı derhal bırakın.** Aşırı ısınma, yanma riski hatta patlamaya neden olabilir.
4. **Gözünüze elektrolit kaçarsa, gözlerinizi temiz suyla durulayın ve hemen tıbbi yardım alın. Görme kaybına yol açabilir.**
5. **Batarya kartuşuna kısa devre yaptırmayın:**
 - (1) **Terminallere herhangi bir iletken madde değdirmeyin.**
 - (2) **Batarya kartuşunu çiviler, madeni paralar, vb. gibi başka metal nesnelere aynı kaba koymaktan kaçının.**
 - (3) **Batarya kartuşunu yağmura ya da suya maruz bırakmayın.**
6. **Kısa devre, büyük bir akım akışına, aşırı ısınmaya, olası yanıklara hatta bataryanın bozulmasına yol açabilir.**
7. **Aleti ve batarya kartuşunu sıcaklığın 50°C ya da daha yükseğe ulaştığı yerlerde saklamayın ve kullanmayın.**
7. **Aşırı derecede hasar görmüş ya da tamamen kullanılamaz durumda olsa bile batarya kartuşunu yakmayın.** Batarya kartuşu ateşe atılırsa patlayabilir.

BU TALİMATLARI MUHAFAZA EDİNİZ.

▲DİKKAT: Sadece orijinal Makita bataryalarını kullanın. Orijinal olmayan Makita bataryaları ya da üzerine değişiklik yapılmış bataryaların kullanımı bataryanın patlamasına ve sonuç olarak yangın, kişisel yaralanma ve hasara neden olabilir. Ayrıca Makita aleti ve şarj aletinin Makita tarafından sunulan garantisi de geçersiz olur.

Maksimum batarya ömrü için ipuçları

1. **Batarya kartuşunu tamamen boşalmadan önce şarj edin. Aletin gücünün zayıflamaya başladığını fark ettiğinizde aleti durdurun ve batarya kartuşunu şarj edin.**
2. **Tam dolu bir batarya kartuşunu asla yeniden şarj etmeyin. Aşırı şarj etme bataryanın hizmet ömrünü kısaltır.**
3. **Batarya kartuşunu 10 °C - 40 °C oda sıcaklığında şarj edin. Sıcak bir batarya kartuşunu şarj etmeden önce soğumasını bekleyin.**
4. **Batarya kartuşunu kullanırken aletten veya şarj aletinden çıkarın.**
5. **Uzun bir süre (altı aydan daha fazla) kullanmadığınız durumlarda batarya kartuşunu şarj edin.**

PARÇALARIN TANIMI

Bu yuva, aşağıdaki Makita fanlı mont/yelek ve ısıtmalı mont/yelek/battaniye için kullanılabilir.

► Şek.1

Grup	Model
A	Fanlı mont/yelek: DFV210, DFJ206, DFJ207, DFJ210, DFJ211, DFJ212, DFJ213, DFJ214, DFJ216, DFJ304, DFJ305, DFJ310, DFJ311, DFJ405, DFJ407, DFJ410, DFJ411, DFJ416 Isıtmalı mont/yelek/battaniye: CV102D, DCV202, CJ105D, CJ106D, DCJ205, DCJ206, CB100D, DCB200
B	Fanlı mont/yelek: DFJ212A, DFJ213A, DFJ214A, DFJ216A, DFJ312A, DFJ416A, DFV210A, DFV214A

1. Güç seviyesi göstergesi

Bir fanlı mont/yelek kullanırken güç seviyesi gösterilir.

NOT: Yukarıda listelenen grup A'daki fanlı mont/yelekleri kullanıyorsanız bunların fan üniteleri 3 adımlı kontrol kullandıklarından güç seviyesi göstergesi 4 yanmaz.

NOT: Isıtmalı mont/yelek/battaniye kullanıyorsanız sadece güç seviyesi göstergesi 4 yanar.

2. Güç düğmesi

Açmak için batarya kartuşunu takın ve ardından güç düğmesine basın ve güç seviyesi göstergesi yanana kadar basılı tutun.

Fanlı montun/yeleğin güç seviyesini değiştirmek için güç açıkken güç düğmesine kısaca basın. Kapatmak için güç düğmesine basın ve güç seviyesi göstergesi kapanana kadar basılı tutun.

NOT: Isıtmalı montun/yeleğin/battaniyenin sıcaklığını değiştirmek için açıkken ısıtmalı mont/yelek/battaniye üzerindeki düğmeye basın.

3. Güç prizi

Isıtmalı monttan/yelekten/battaniyeden gelen kabloyu veya adaptör kablosunu bağlayın.

4. Fanlı mont/yelek adaptör kablosu (isteğe bağlı aksesuar)

Yukarıda listelenen grup A'daki ürünleri kullanırken adaptör kablosunu kullanın.

5. Isıtmalı mont/yelek/battaniye adaptör kablosu (isteğe bağlı aksesuar)

Yukarıda listelenen grup A'daki ürünleri kullanırken adaptör kablosunu kullanın.

6. Mont/yelek/battaniye güç kablosu

Yukarıda listelenen grup A'daki ürünler için fanlı mont/yelek veya ısıtmalı mont/yelek/battaniye için uygun adaptör kablosunu bağlayın.

Yukarıda listelenen grup B'deki ürünler için batarya yuvasının güç prizine bağlayın.

NOT: Prizin şekli ve yeri, montunuza/yeleğinize/battaniyenize bağlı olarak değişir.

7. Batarya kartuşu (isteğe bağlı aksesuar)

Batarya kartuşunu, küçük bir tık sesi ile yerine sabitlemeye dek sonuna kadar yuvaya sokun.

İŞLEVSEL NİTELİKLER

Batarya kartuşunun takılması veya çıkartılması

⚠DİKKAT: Batarya kartuşunu takıp çıkarırken batarya yuvasını ve batarya kartuşunu sıkıca tutun. Batarya yuvasının ve batarya kartuşunun sıkıca tutulmaması bunların ellerinizden kaymasına neden olabilir ve batarya yuvasının ve batarya kartuşunun hasar görmesine ve/veya yaralanmaya yol açabilir.

⚠DİKKAT: Batarya kartuşunu çıkarmadan önce cihazı mutlaka kapatın.

► Şek.2: 1. Kırmızı gösterge 2. Düğme 3. Batarya kartuşu 4. Batarya yuvası

Batarya kartuşunu takmak için batarya kartuşunun üzerindeki dili yuvadaki kanal ile aynı hizaya getirerek kaydırıp yerine yerleştirin. Batarya kartuşunu, küçük bir tık sesi ile yerine sabitlemeye dek sonuna kadar ittirin. Düğmenin üst tarafında bulunan kırmızı göstergesi görüyorsanız, batarya kartuşu tam olarak kilitlenmemiştir.

Batarya kartuşunu çıkarmak için kartuşun ön kısmındaki düğmeye bastırarak kartuşu batarya yuvasından çıkarın.

⚠DİKKAT: Batarya kartuşunu daima kırmızı gösterge görülemeyene dek tam olarak takın. Aksi takdirde batarya kartuşu, batarya yuvasından kazara düşerek sizin veya etrafınızdakilerin yaralanmasına neden olabilir.

⚠DİKKAT: Batarya kartuşunu zorlayarak takmayın. Batarya kartuşu kolayca kaymıyorsa düzgün takılmıyordur.

Batarya yuvasının takılması

Batarya yuvasını bel kemerinize asabilirsiniz. Batarya yuvasının kazara düşmesini engellemek için kayış deliğini kullanmak suretiyle bir kayış tutturarak sabitleyin.

► **Şek.3:** 1. Kayış deliği

Batarya yuvasının düşme engelleme fonksiyonu bulunmaktadır. Batarya yuvasını kemerden çıkarırken kilit açma düğmesine basarak batarya yuvasını yukarı doğru çekin.

► **Şek.4:** 1. Kilit açma düğmesi

USB cihazlarının bağlanması

⚠DİKKAT: Sadece USB güç besleme bağlantı noktası ile uyumlu cihazları bağlayın. Aksi takdirde batarya yuvasında arıza meydana gelebilir.

ÖNEMLİ NOT: Batarya yuvasına (bataryalı) bir USB cihazı bağlamadan önce USB cihazındaki verileri mutlaka yedekleyin. Aksi takdirde verileriniz kaybolabilir.

ÖNEMLİ NOT: Batarya yuvası bazı USB cihazlarına güç sağlamayabilir.

ÖNEMLİ NOT: Kullanımda değilken veya şarjdan sonra USB kablosunu çıkarın ve kapağı kapatın.

Batarya yuvası (batarya kartuşu ile) USB cihazları için harici güç kaynağı olarak çalışabilir.

Kapağı açın ve batarya yuvasının USB bağlantı noktasına bir USB kablosu (ürünle verilmez) bağlayın. Ardından kablounun diğer ucunu cihaza bağlayın. Şarj işlemini başlatmak için güç düğmesine basın ve güç seviyesi göstergesi yanana kadar basılı tutun. Şarj işlemini durdurmak için güç düğmesine basın ve güç seviyesi göstergesi kapanana kadar basılı tutun.

► **Şek.5:** 1. Kapak 2. USB bağlantı noktası

NOT: Gerçek çıkış akımı, bağlanacak USB cihazına bağlı olarak değişir.

NOT: Güç düğmesi açık konumdayken bataryanın gücü tüketilir. Kullanımda değilken düğmeyi daima kapalı konuma alın.

NOT: Birden fazla USB cihazını art arda şarj ederken bir sonraki cihazı şarj etmeye başlamadan önce bir önceki cihazın şarj edilmesi tamamlandıktan sonra yaklaşık 10 saniye bekleyin.

BAKIM

ÖNEMLİ NOT: Kesinlikle benzin, tiner, alkol veya benzeri maddeler kullanmayın. Renk değişimi, deformasyon veya çatlaklara neden olabilir.

ÖNEMLİ NOT: Batarya yuvasını su ile yıkamayın.

- Gövde üzerindeki kir, toz, yağ, gres ve benzerlerini temiz kuru bir bezle veya sabunlu suya daldırılıp iyice sıkılmış bir bezle silerek temizleyin.
- Cihazı aşırı sıcak, soğuk veya nemli olmayacak bir yerde saklayın.

Aleti EMNİYETLİ ve ÇALIŞMAYA HAZIR durumda tutmak için onarımlar, başka her türlü bakım ve ayarlamalar daima Makita yedek parçaları kullanılarak Makita yetkili servis merkezleri veya Fabrikanın Servis Merkezleri tarafından yapılmalıdır.

SPECIFIKATIONER

Modell	TD00000111 Batterihållare för LXT-batterikassett	TD00000110 Batterihållare för CXT-batterikassett
Märkspänning	14,4 V likström 18 V likström	10,8 V–12 V max likström
Batterikassett	BL1415N / BL1430B / BL1440 / BL1460B BL1815N / BL1820B / BL1830 / BL1830B / BL1840B / BL1850B / BL1860B	BL1016 / BL1021B / BL1041B
USB-strömförsörjningsport	5 V likström, 2,4 A, typ A	
Dimensioner (L x B x H)	100 mm x 78 mm x 39 mm	88 mm x 61 mm x 33 mm
Nettovikt	0,14 kg	0,09 kg

- Vissa av batterikassetterna på listan ovan kanske inte finns tillgängliga i din region.

⚠ VARNING: Använd endast batterikassetter från listan ovan. Användning av andra batterikassetter kan orsaka personskada och/eller brand.

Symboler

Vissa av följande symboler används för produkten. Se till att du förstår innebörden innan du använder maskinen.



Läs igenom bruksanvisningen.



Gäller endast inom EU
P.g.a. förekomsten av farliga komponenter i utrustningen kan avfall innehållande elektrisk och elektronisk utrustning, ackumulatörer och batterier ha negativ inverkan på miljön och människors hälsa. Kassera inte elektriska och elektroniska apparater eller batterier ihop med hushållsavfall!
I enlighet med EU-direktiven om avfall som utgörs av eller innehåller elektrisk och elektronisk utrustning och om batterier och ackumulatörer och förbrukade batterier och ackumulatörer, och dess införlivande i nationell lagstiftning, bör förbrukad elektrisk och elektronisk utrustning, batterier och ackumulatörer förvaras separat och transporteras till en särskild uppsamlingsplats för kommunalt avfall, som drivs i enlighet med regelverket för miljöskydd. Detta anges av symbolen med den överkryssade soptunnan på hjul som sitter på utrustningen.

SÄKERHETSVARNINGAR

⚠ VARNING: Se till före användning att läsa bruksanvisningen för den Makita-produkt som ska användas ihop med denna apparat.

⚠ VARNING: Använd denna apparat endast med de produkter som specificerats av Makita. Att använda apparaten med ej godkända produkter kan leda till brand, överdriven värme, explosion eller utläckande elektrolyt.

Elsäkerhet

1. Hantera inte sladden och batteriet med våta eller flottiga händer.
2. Använd inte en skadad USB-kabel.
3. Skada inte sladden. Håll inte direkt i sladden när du bär, drar eller kopplar ur. Håll sladden borta från värme, olja och vassa kanter.
4. Lämna inte någon sladd fränkopplad medan batteriström tillförs. Småbarn kan sätta den strömförande kontakten i munnen och bli skadade.
5. För inte in spikar, kablar eller andra föremål i USB-strömförsörjningsporten. Det kan orsaka kortslutning, vilket i sin tur kan leda till rökutveckling eller brand.
6. Anslut inte strömkällan till USB-porten. USB-porten är endast avsedd för att ladda enheter med lägre spänning. Sätt alltid locket på USB-porten när du inte laddar en enhet med lägre spänning. Annars finns det risk för brand.
7. Ladda endast med den batteriladdare som angetts av tillverkaren. En laddare som passar en viss typ av batterier kan skapa risk för brand när den används tillsammans med annat batteri.

8. **Använd apparater endast med specifikt angivna batteripaket.** Om andra batterier används kan risken för personskada och brand öka.
9. **När batteriet inte används bör det hållas borta från andra metallföremål som till exempel gem, mynt, nycklar, spik, skruv eller andra små metallföremål som kan skapa anslutning från en terminal till en annan.** Kortslutning av batteripolerna kan orsaka brännskador eller brand.
10. **Under hårda förhållande kan det komma vätska ur batteriet. Undvik kontakt. Spola med vatten om kontakt ändå råkar uppstå.** Om vätskan kommer i kontakt med ögonen bör läkare uppsökas. Vätska från batteriet kan orsaka irritation på huden eller ge brännskador.
11. **Använd inte ett batteri eller apparaten som ska användas med batteriet om de är skadade eller ändrade.** Ett batteri eller en apparat som skadats eller ändrats kan uppföra sig opålitligt, vilket kan leda till brand, explosion eller skaderisk.
12. **Utsätt inte ett batteripaket för brand eller höga temperaturer.** Exponering för brand eller temperaturer över 130 °C kan leda till explosion.
13. **Följ alla laddningsinstruktioner och ladda inte batteripaketet utanför det temperaturintervall som anges i instruktionerna.** Felaktig laddning, eller vid temperaturer utanför det angivna intervallet, kan skada batteriet och öka risken för brand.
14. **Låt en auktoriserad verkstad utföra service och underhåll med originalreservdelar.** Detta garanterar fortsatt säker användning av produkten.
15. **Ändra inte på apparaten eller batterikassetten och försök inte reparera dem, utom enligt vad som anges i användnings- och skötselinstruktionerna.**
6. **Förvara och använd inte verktyget och batterikassetten på platser där temperaturen kan nå eller överstiga 50 °C.**
7. **Bränn inte upp batterikassetten även om den är svårt skadad eller helt utsliten.** Batterikassetten kan explodera i öppen eld.
8. **Spika inte i, krossa, kasta, tappa eller slå batterikassetten mot hårda föremål.** Dylika handlingar kan leda till brand, överdriven värme eller explosion.
9. **Använd inte ett skadat batteri.**
10. **De medföljande litiumjonbatterierna är föremål för kraven i gällande lagstiftning för farligt gods.**
För kommersiella transporter (av t.ex. tredje parter som speditorsfirmor) måste de särskilda transportkrav som anges på emballaget och etiketter iakttas.
För att förbereda den produkt som ska avsändas krävs att du konsulterar en expert på riskmaterial. Var också uppmärksam på att det i ditt land kan finnas ytterligare föreskrifter att följa.
Tejpa över eller maskera blottade kontakter och packa batteriet på sådant sätt att det inte kan röra sig fritt i förpackningen.
11. **När batterikassetten ska kasseras måste den tas bort från maskinen och kasseras på ett säkert sätt. Följ lokala föreskrifter beträffande avfallshandtering av batteriet.**
12. **Använd endast batterierna med de produkter som specificerats av Makita.** Att använda batterierna med ej godkända produkter kan leda till brand, överdriven värme, explosion eller utläckande elektrolyt.
13. **Om maskinen inte används under en lång tid måste batteriet tas bort från maskinen.**
14. **Under och efter användning kan batterikassetten bli het vilket kan orsaka brännskador eller lättare brännskador.** Var uppmärksam på hur du hanterar varma batterikassetter.
15. **Vidrör inte verktygets kontakter direkt efter användning eftersom de kan bli heta och orsaka brännskador.**
16. **Låt inte flisor, damm eller smuts fastna i kontaktarna, i hål eller spår i batterikassetten.** Det kan leda till dålig prestanda eller till att verktyget eller batterikassetten går sönder.
17. **Såvida inte verktyget stöder arbeten i närheten av högspänningsledning får batterikassetten inte användas i närheten av en högspänningsledning.** Det kan leda till att verktyget eller batterikassetten går sönder eller inte fungerar korrekt.
18. **Förvara batteriet utom räckhåll för barn.**

Viktiga säkerhetsanvisningar för batterikassetten

1. Innan batterikassetten används ska alla instruktioner och varningsmärken på (1) batteriladdaren, (2) batteriet och (3) produkten läsas.
2. **Montera inte isär eller mixtra med batterikassetten.** Det kan leda till brand, överdriven värme eller explosion.
3. **Om drifttiden blivit avsevärt kortare ska användningen avbrytas omedelbart.** Det kan uppstå överhettning, brännskador och t o m en explosion.
4. **Om du får elektrolyt i ögonen ska de sköljas med rent vatten och läkare uppsökas omedelbart.** Det finns risk för att synen förloras.
5. **Kortslut inte batterikassetten.**
 - (1) Rör inte vid polerna med något strömförande material.
 - (2) Undvik att förvara batterikassetten tillsammans med andra metallobjekt som t.ex. spikar, mynt o.s.v.
 - (3) Skydda batteriet mot vatten och regn. En batterikortslutning kan orsaka ett stort strömflöde, överhettning, brand och maskinhaveri.

SPARA DESSA ANVISNINGAR.

⚠FÖRSIKTIGT: Använda endast äkta Makita-batterier. Användning av oäkta Makita-batterier eller batterier som har manipulerats kan leda till person- och utrustningsskador eller till att batteriet fattar eld. Det upphäver också Makitas garanti för verktyget och laddaren.

Tips för att uppnå batteriets maximala livslängd

1. Ladda batterikassetten innan den är helt urladdad. Stanna alltid maskinen och ladda batterikassetten när du märker att maskinen blir svagare.
2. Ladda aldrig en fulladdad batterikassett. Överladdning förkortar batteriets livslängd.
3. Ladda batterikassetten vid en rumstemperatur på 10 °C - 40 °C. Låt en varm batterikassett svalna innan den laddas.
4. När batterikassetten inte används ska den tas bort från verktyget eller laddaren.
5. Ladda batterikassetten om du inte har använt den på länge (mer än sex månader).

BESKRIVNING AV DELAR

Denna hållare kan användas för att hänga upp fläktjacka/fläktväst och uppvärmd jacka/väst/filt från Makita.

► Fig.1

Grupp	Modell
A	Fläktjacka/fläktväst: DFV210, DFJ206, DFJ207, DFJ210, DFJ211, DFJ212, DFJ213, DFJ214, DFJ216, DFJ304, DFJ305, DFJ310, DFJ311, DFJ405, DFJ407, DFJ410, DFJ411, DFJ416 Uppvärmd jacka/väst/filt: CV102D, DCV202, CJ105D, CJ106D, DCJ205, DCJ206, CB100D, DCB200
B	Fläktjacka/fläktväst: DFJ212A, DFJ213A, DFJ214A, DFJ216A, DFJ312A, DFJ416A, DFV210A, DFV214A

1. Indikator för effektnivå

När en fläktjacka/fläktväst används visas effektnivån.

OBS: Om du använder fläktjackorna/fläktvästarna i grupp A som anges ovan, tänds inte effektnivåindikator 4 eftersom deras fläktenheter har en 3-stegs kontroll.

OBS: Om du använder den uppvärmda jackan/västen/filtens tänds bara effektnivåindikator 4.

2. Strömbrytare

Sätt på genom att sätta in batterikassetten och sedan trycka och hålla in strömbrytaren tills effektnivåindikatorn tänds.

För att ändra effektnivån på fläktjackan/fläktvästen trycker du kort på strömbrytaren när strömmen är på. För att stänga av trycker du och håller in strömbrytaren tills effektnivåindikatorn stängs av.

OBS: Ändra värmen på den uppvärmda jackan/västen/filtens genom att trycka på knappen på den när strömmen är på.

3. Eluttag

Anslut kabeln från jackan/västen/filtens eller adapterkabeln.

4. Adapterkabel för fläktjacka/fläktväst (valfritt tillbehör)

Använd adapterkabeln när du använder produkter i grupp A som anges ovan.

5. Adapterkabel för uppvärmd jacka/väst/filt (valfritt tillbehör)

Använd adapterkabeln när du använder produkter i grupp A som anges ovan.

6. Strömladd för jackan/västen/filtens

För produkterna i grupp A som förtecknas ovan ansluter du lämplig adapterkabel för fläktjackan/fläktvästen eller den uppvärmda jackan/västen/filtens.

För produkterna i grupp B som förtecknas ovan ansluter du till batterihållarens eluttag.

OBS: Uttagets form och placering varierar beroende på jackan/västen/filtens.

7. Batterikassett (valfritt tillbehör)

För in batterikassetten hela vägen in i hållaren tills den läses fast med ett litet klick.

FUNKTIONSBESKRIVNING

Montering eller demontering av batterikassetten

⚠FÖRSIKTIGT: Håll stadigt i batterihållaren och batterikassetten när du monterar eller tar bort batterikassetten. I annat fall kan det leda till att de glider ur dina händer och orsakar skada på batterihållaren och batterikassetten och/eller personskada.

⚠FÖRSIKTIGT: Stäng alltid av enheten innan du tar bort batterikassetten.

► Fig.2: 1. Röd indikator 2. Knapp 3. Batterikassett 4. Batterihållare

Sätt in batterikassetten genom att rikta in tungan på batterikassetten mot spåret i hölet och skjut den på plats. Sätt in batterikassetten ordentligt tills den låser fast med ett litet klick. Om du kan se den röda indikatorn på knappens ovansida är den inte låst ordentligt.

Ta bort batterikassetten genom att trycka ner knappen på kassetten framsida samtidigt som du drar ut batterikassetten.

⚠FÖRSIKTIGT: Sätt alltid i batterikassetten helt tills den röda indikatorn inte längre syns. I annat fall kan batterikassetten oöventligt falla ur batterihållaren och skada dig eller någon annan.

⚠FÖRSIKTIGT: Installera inte batterikassetten med våld. Om batterikassetten inte lätt glider på plats är den felaktigt insatt.

Sätta fast batterihållaren

Du kan hänga batterihållaren på midjebältet. För att hindra batterihållaren från att ramla oavsiktligt fäster du en rem med hjälp av remhålet och sätter fast den.

► **Fig.3:** 1. Remhål

Batterihållaren har en fallskyddsfunktion. När du tar bort batterihållaren från bältet drar du upp batterihållaren samtidigt som du trycker på uppläsningssknappen.

► **Fig.4:** 1. Uppläsningssknapp

Anslutning av USB-enheter

⚠ FÖRSIKTIGT: Anslut endast enheter som är kompatibla med USB-strömförsörjningsporten.

Att inte göra det kan orsaka funktionsfel på batterihållaren.

OBSERVERA: Innan en USB-enhet ansluts till batterihållaren (med batteriet) ska alltid data säkerhetskopieras på USB-enheten. Att inte göra det kan göra att dina data går förlorade.

OBSERVERA: Batterihållaren tillför kanske inte ström till vissa USB-enheter.

OBSERVERA: När den inte används eller efter laddning ska USB-kabeln tas bort och locket stängas.

Batterihållaren (med batterikassetten) kan fungera som en extern strömförsörjning för USB-enheter.

Öppna locket och anslut en USB-kabel (ingår inte) till batterihållarens USB-port. Anslut den andra änden av kabeln till enheten. För att börja ladda trycker du och håller in strömbrytaren tills effektnivåindikatorn tänds. För att sluta ladda trycker du och håller in strömbrytaren tills effektnivåindikatorn släcks.

► **Fig.5:** 1. Lock 2. USB-port

OBS: Den verkliga utgångsströmmen varierar beroende på den USB-enhet som ska anslutas.

OBS: Batteriström förbrukas medan strömbrytaren är på. Stäng alltid av strömbrytaren när verktyget inte används.

OBS: När flera USB-enheter laddas efter varandra bör du vänta ungefär 10 sekunder efter att den föregående enheten har laddats klart innan nästa enhet sätts på laddning.

UNDERHÅLL

OBSERVERA: Använd aldrig bensin, förtunningsmedel, alkohol eller liknande. Missfärgning, deformation eller sprickor kan uppstå.

OBSERVERA: Tvätta inte batterihållaren med vatten.

- Torka av smuts, damm, olja, fett etc. på höljet med en ren torr duk eller en duk doppad i såpvatten och ordentligt urvriden.
- Förvara apparaten på en plats där det inte är extremt varmt, kallt eller fuktigt.

För att upprätthålla produktens SÄKERHET och TILLFÖRLITLIGHET bör allt underhålls- och justeringsarbete utföras av ett auktoriserat Makita servicecenter och med reservdelar från Makita.

TEKNISKE DATA

Modell	TD00000111 Batteriholder til LXT-batteri	TD00000110 Batteriholder til CXT-batteri
Merkespenning	DC 14,4 V DC 18 V	DC 10,8 V - 12 V maks.
Batteri	BL1415N / BL1430B / BL1440 / BL1460B BL1815N / BL1820B / BL1830 / BL1830B / BL1840B / BL1850B / BL1860B	BL1016 / BL1021B / BL1041B
USB-strømforsyningsport	DC 5 V, 2,4 A, type A	
Mål (L x B x H)	100 mm x 78 mm x 39 mm	88 mm x 61 mm x 33 mm
Nettovekt	0,14 kg	0,09 kg

- Noen av batteriene som er oppgitt over er kanskje ikke tilgjengelige, avhengig av hvor du bor.

⚠ ADVARSEL: Bruk kun de batteriene som er opplistet ovenfor. Bruk av andre batterier kan føre til personskader og/eller brann.

Symboler

Noen av de følgende symbolene brukes for produktet. Vær sikker på å forstå hva de betyr, før bruken.



Les bruksanvisningen.



Ni-MH
Li-ion

Kun for EU-land
På grunn av forekomst av farlige komponenter i utstyret, kan avfall fra elektrisk og elektronisk utstyr, akkumulatører og batterier ha en negativ innvirkning på miljøet og menneskers helse.

Ikke kast elektriske og elektroniske apparater eller batterier sammen med husholdningsavfall!

I samsvar med det europeiske direktivet om avfall fra elektrisk og elektronisk utstyr og om akkumulatører og batterier samt akkumulatører og batterier som skal kastes, samt deres tilpasning til nasjonal lovgivning, skal brukt elektrisk utstyr samt brukte batterier og akkumulatører samles inn separat og leveres til et eget innsamlingssted for kommunalt avfall, som driver virksomhet i samsvar med miljøvernforordningene.

Dette er angitt av symbolet med den overkryssede avfallsbeholderen som er plassert på utstyret.

SIKKERHETSADVARSEL

⚠ ADVARSEL: Pass på at du leser bruksanvisningen til Makita-produktet for å gjøre deg kjent med dette apparatet før bruk.

⚠ ADVARSEL: Dette apparatet skal kun brukes med produkter spesifisert av Makita. Bruk av apparater med produkter som ikke passer til det kan føre til brann, overoppheting eller lekkasje av elektrolytt.

Elektrisk sikkerhet

1. **Ikke håndter kablen og batteriet med våte hender eller fattede hender.**
2. **Ikke bruk en USB-kabel som er skadet.**
3. **Ikke utsett strømledningen for tøff behandling. Ledningen må ikke brukes til å bære, trekke eller koble fra. Hold kablen unna varme, olje og skarpe kanter.**
4. **Ikke etterlat noen ledninger tilkoblet mens jakken brukes på batteristrøm.** Små barn kan stille den strømførende kontakten i munnen, og bli skadet.
5. **Ikke sett inn spikre, vaiere eller andre gjenstander i USB-strømforsyningsporten.** Hvis du gjør dette, kan det oppstå kortslutning, som kan forårsake røyk eller brann.
6. **Ikke koble strømkilden til USB-porten. USB-porten er bare ment for opplading av enheter med lav spenning. Sett alltid dekslet på USB-porten når du ikke lader en lavspenningenshet.** Ellers er det fare for brann.
7. **Batteriet må kun lades opp igjen med en lader spesifisert av produsenten.** En lader som passer til én batteritype, kan være brannfarlig når den brukes med en annen batteritype.
8. **Apparater skal kun brukes med spesifikt angitte batterier.** Hvis de brukes med et annet batteri, kan dette utgjøre en fare for personskader og brann.
9. **Når batteriet ikke er i bruk, må du holde verktøyet unna metallgjenstander som f.eks. binders, mynter, nøkler, spiker, skruer og andre små metallgjenstander som kan skape forbindelse mellom de to polene.** Hvis batteripolene kortsluttes, kan du få brannskader, eller det kan begynne å brenne.

10. Hvis batteriet utsettes for hardhendt bruk, kan det lekkе væske fra batteriet. Unngå kontakt med væsken. Hvis du kommer i kontakt med batterivæsken, må du skylle med vann. Hvis du får batterivæske i øynene, må du i tillegg oppsøke lege. Væske som kommer ut av batteriet, kan forårsake iritasjon eller forbrenninger.
11. Ikke bruk et batteri eller apparatet med det aktuelle batteriet hvis de er skadet eller endret på. Batterier eller apparater som er skadet eller endret på kan oppføre seg upålitelig og medføre brann, eksplosjon eller fare for personskader.
12. Et batteri må ikke utsettes for ild eller for høy temperatur. Ild eller en temperatur over 130 °C kan forårsake en eksplosjon.
13. Følg alle ladeinstruksjoner, og ikke lad batteriet utenfor temperaturområdet som er angitt i instruksjonene. Feil lading eller ved temperaturer utenfor det angitte området, kan skade batteriet og øke faren for brann.
14. La en kvalifisert reparatør utføre service, og se til at vedkommende kun bruker originale reservedeler. Dette vil opprettholde sikkerheten til produktet.
15. Ikke endre på eller forsøk å reparere apparatet eller batteriet, med unntak av det som er angitt i instruksjonene for bruk og stell.
8. Du må ikke spikre, skjære, klemme, kaste eller miste batteriet, og heller ikke slå en hard gjenstand mot batteriet. En slik oppførsel kan føre til brann, overoppheting eller eksplosjon.
9. Ikke bruk batterier som er skadet.
10. Lithium-ion-batteriene som medfølger er gjenstand for krav om spesialavfall. For kommersiell transport, f.eks av tredjeparter eller speditører, må spesielle krav om pakking og merking følges. For varen blir sendt, må du forhøre deg med en ekspert på farlig materiale. Ta også hensyn til muligheten for mer detaljerte nasjonale bestemmelser. Bruk teip eller maskeringsteip for å skjule åpne kontakter og pakk inn batteriet på en slik måte at den ikke kan bevege seg rundt i emballasjen.
11. Når du kasserer batteriinnsetningen, må du ta den ut av verktøyet og avhende den på et sikkert sted. Følg lokale bestemmelser for avhending av batterier.
12. Bruk batteriene kun med produkter spesifisert av Makita. Montere batteriene i produkter som ikke er konforme kan føre til brann, overheting eller elektrolyttlekkasje.
13. Hvis verktøyet ikke skal brukes over en lengre periode, må batteriet tas ut av verktøyet.
14. Under og etter bruk kan batteriet bli varmt og før til brannskader. Vær forsiktig med håndtering av varme batterier.
15. Ikke berør terminalen på verktøyet rett etter bruk, da den kan bli varm og forårsake brannskader.
16. Ikke la spon, støv eller jord sette seg fast i terminalene, hullene og sporene i batteriet. Det kan føre til dårlig ytelse eller at verktøyet eller batteriet slutter å fungere.
17. Med mindre verktøyet støtter bruk nær en høyspent strømlinje, skal ikke batteriet brukes nær en høyspent strømlinje. Det kan føre til en funksjonsfeil eller at verktøyet eller batteriet slutter å fungere.
18. Oppbevar batteriet utilgjengelig for barn.

Viktige sikkerhetsanvisninger for batteriinnsetning

1. Før du begynner å bruke batteriet, må du lese alle anvisninger og forsiktighetsregler på (1) batteriladeren, (2) batteriet og (3) det produktet batteriet skal brukes i.
2. Ikke demonter eller tukle batteriet. Det kan føre til brann, overoppheting eller eksplosjon.
3. Hvis driftstiden er blitt vesentlig kortere, må du omgående slutte å bruke maskinen. Hvis ikke kan resultatet bli overoppheting, mulige forbrenninger eller til og med en eksplosjon.
4. Hvis du får elektrolytt i øynene, må du skylle dem med store mengder rennende vann og oppsøke lege med én gang. Denne typen uhell kan føre til varig blindhet.
5. Ikke kortslett batteriet:
 - (1) De kan være ekstremt varme og du kan brenne deg.
 - (2) Ikke lagre batteriet i samme beholder som andre metallgjenstander, som for eksempel spiker, mynter osv.
 - (3) Ikke la batteriet komme i kontakt med vann eller regn.

En kortslutning av batteriet kan føre til et kraftig strømstøt, overoppvarming, mulige forbrenninger og til og med til at batteriet går i stykker.

6. Ikke oppbevar og bruk verktøyet og batteriet på steder hvor temperaturen kan komme opp eller overskride 50 °C.
7. Ikke sett fyr på batteriet, ikke engang om det er sterkt skadet eller helt utslitt. Batteriet kan eksplodere hvis det begynner å brenne.

TA VARE PÅ DISSE INSTRUKSENE.

⚠FORSIKTIG: Bruk kun originale Makita-batterier. Bruk av batterier som har endret seg, eller som ikke er originale Makita-batterier, kan føre til at batteriet sprekker og forårsaker brann, personskader og andre skader. Det vil også ugyldiggjøre garantien for Makita-verktøyet og -laderen.

Tips for å opprettholde maksimal batterilevetid

1. Lad batteriinnsetningen før den er helt utladet. Stopp alltid driften av verktøyet og lad batteriinnsetningen når du merker at effekten reduseres.
2. Lad aldri en batteriinnsetning som er fulladet. Overopplading forkorter batteriets levetid.
3. Lad batteriet i romtemperatur ved 10 °C - 40 °C. Et varmt batteri må kjøles ned før lading.

- Når batteriet ikke er bruk, skal det tas ut av verktøyet eller laderen.
- Lad batteriet hvis det ikke har vært brukt på en lang stund (over seks måneder).

MERK: Kontaktens form og plassering kan variere avhengig av jakken/vesten/teppet.

7. Batteri (ekstrautstyr)

Sett batteriet inn i holderen, og skyv det helt inn til det klikker på plass.

DELEBESKRIVELSE

Denne holderen kan brukes til følgende viftejakke/-vest og oppvarmet jakke/vest/teppe fra Makita.

► Fig.1

Gruppe	Modell
A	Viftejakke/-vest: DFV210, DFJ206, DFJ207, DFJ210, DFJ211, DFJ212, DFJ213, DFJ214, DFJ216, DFJ304, DFJ305, DFJ310, DFJ311, DFJ405, DFJ407, DFJ410, DFJ411, DFJ416 Oppvarmet jakke/vest/teppe: CV102D, DCV202, CJ105D, CJ106D, DCJ205, DCJ206, CB100D, DCB200
B	Viftejakke/-vest: DFJ212A, DFJ213A, DFJ214A, DFJ216A, DFJ312A, DFJ416A, DFV210A, DFV214A

1. Indikator for effektivnivå

Effektivnivået vises når du bruker en viftejakke/-vest.

MERK: Hvis du bruker viftejakkene/-vestene i gruppe A som er oppgitt over, vil ikke indikatoren for effektivnivå 4 lyse fordi fiftenehetene benytter 3-trinns kontroll.

MERK: Hvis du bruker oppvarmet jakke/-vest/-teppe, vil kun indikatoren for effektivnivå 4 lyse.

2. Strømknapp

Slå på ved å sette i batteriet og trykke på og holde inne strømknappen til indikatoren for effektivnivå lyser. Endre effektivnivå for viftejakke/-vest ved å trykke kort på strømknappen mens strømmen er på.

Slå av ved å trykke på og holde inne strømknappen til indikatoren for effektivnivå slår seg av.

MERK: Endre varmen til oppvarmet jakke/vest/teppe ved å trykke på knappen på oppvarmet jakke/vest/teppe når de er slått på.

3. Strømkontakt

Koble kablen fra jakken/vesten/teppet eller adapterkablen.

4. Adapterkabel for viftejakke/-vest (ekstrautstyr)

Bruk adapterkabel når du bruker produktene i gruppe A som er oppgitt over.

5. Adapterkabel for oppvarmet jakke/vest/teppe (valgfritt tilbehør)

Bruk adapterkabel når du bruker produktene i gruppe A som er oppgitt over.

6. Strømledning for jakke/vest/teppe

Koble til den aktuelle adapterkablen for viftejakke/-vest eller oppvarmet jakke/vest/teppe for produktene i gruppe A som er oppgitt over.

Koble til strømkontakten til batteriholderen for produktene i gruppe B som er oppgitt over.

FUNKSJONSBEKRIVELSE

Sette inn eller ta ut batteriet

⚠FORSIKTIG: Hold batteriholderen og batteripatronen i et fast grep når du monterer eller tar ut batterikassetten. Hvis du ikke holder batteriholderen og batterikassetten godt fast, kan du miste grepet, og dette kan føre til skader på batteriholderen og batterikassetten og/eller personskafer.

⚠FORSIKTIG: Slå alltid av enheten før du tar ut batteriet.

► Fig.2: 1. Rød indikator 2. Knapp 3. Batteriinnsetts 4. Batteriholder

Når du skal sette inn batteriet, må du plassere tungen på batteriet på linje med sporet i huset og skyve batteriet på plass. Sett inn batterikassetten og skyv den helt inn, til den klikker på plass. Hvis du kan se den røde anviseren på oversiden av knappen, er det ikke fullstendig låst.

For å ta ut batteriet må du føre den ut av batteriholderen mens du trykker på knappen foran på kassetten.

⚠FORSIKTIG: Batteriet må alltid settes helt inn, så langt at den røde anviseren ikke lenger er synlig. Ellers kan batteriet falle ut av batteriholderen og skade deg eller andre som oppholder seg i nærheten.

⚠FORSIKTIG: Ikke bruk makt når du setter inn batteriet. Hvis batterikassetten ikke glir lett inn, er det fordi det ikke settes inn på riktig måte.

Påsetting av batteriholderen

Du kan henge batteriholderen på beltet.

For å forhindre at batteriholderen i faller ned ved et uhell, fest en strop som bruker stroppehullet og sikre den.

► Fig.3: 1. Stropphull

Batteriholderen har en funksjon som forhindrer at den faller i bakken. Ved fjerning av batteriholderen fra beltet, trekk batteriholderen opp mens du presser på knappen for opplåsing.

► Fig.4: 1. Åpneknapp

Tilkobling av USB-enheter

⚠ FORSIKTIG: Bare koble til enheter som er kompatible med USB strømforsyningsport. Hvis du ikke gjør dette, kan det oppstå en feilfunksjon i batteriholderen.

OBS: Før du kobler en USB-enhet til batteriholderen (med batteri), må du alltid ta en sikkerhets kopi av dataene på USB-minnet. Dette kan forårsake tap av dataene dine.

OBS: Batteriholderen kan kanskje ikke levere strøm til noen USB-enheter.

OBS: Når utstyret ikke er i bruk, eller etter lading, ta ut USB-kabelen og lukk dekselet.

Batteriholderen (med batterikassett) kan brukes som en ekstern strømforsyning for USB-enheter.

Åpne dekselet, og koble en USB-kabel (følger ikke med) til USB-porten på batteriholderen. Koble deretter den andre enden av kabelen til enheten. Når du vil begynne å lade, trykker du på og holder inn strømknappen til indikatoren for effektnivå lyser. Når du vil slutte å lade, trykker du på og holder inne strømknappen til indikatoren for effektnivå slår seg av.

► **Fig.5:** 1. Deksel 2. USB-port

MERK: Den faktiske utgangsstrømmen varierer avhengig av USB-enheten som skal kobles til.

MERK: Batteristrøm blir forbrukt når strømknappen er slått på. Bryteren må alltid slås av når den ikke er i bruk.

MERK: Når du lader flere USB-enheter etter hverandre, vent i rundt 10 sekunder etter at opplading av den forrige enheten er fullført før du begynner å lade opp neste enhet.

VEDLIKEHOLD

OBS: Aldri bruk motorbensin, bensin, tynner alkohol eller lignende. Det kan føre til misfarging, deformering eller sprekkdannelse.

OBS: Ikke vask batteriholderen med vann.

- Tørk bort smuss, støv, olje, fett, osv. fra huset med en ren, tørr klut eller en klut som er dyppet i såpevann og vridd godt opp.
- Oppbevar apparatet på et sted der det ikke vil bli for varmt, for kaldt eller fuktig.

For å opprettholde produktets SIKKERHET og PÅLITELIGHET, må reparasjoner, vedlikehold og justeringer utføres av autoriserte Makita servicesentre eller fabrikk servicesentre, og det må alltid brukes reservedeler fra Makita.

TEKNISET TIEDOT

Malli	TD00000111 LXT-akkupaketin akkupidike	TD00000110 CXT-akkupaketin akkupidike
Nimellisjännite	DC 14,4 V DC 18 V	DC 10,8 V – 12 V maks.
Akkupaketti	BL1415N / BL1430B / BL1440 / BL1460B BL1815N / BL1820B / BL1830 / BL1830B / BL1840B / BL1850B / BL1860B	BL1016 / BL1021B / BL1041B
USB-virransyöttöliitäntä	DC 5 V, 2,4 A, tyyppi A	
Mitat (P x L x K)	100 mm x 78 mm x 39 mm	88 mm x 61 mm x 33 mm
Nettopaino	0,14 kg	0,09 kg

- Osa edellä luetelluista akkupaketeista ei ehkä ole saatavana asuinalueellasi.

VAROITUS: Käytä vain edellä eriteltyjä akkupaketteja. Muiden akkupakettien käyttäminen voi aiheuttaa loukkaantumisen ja/tai tulipalon.

Symbolit

Tuotteessa on käytetty seuraavia symboleja. Varmista, että tiedät niiden merkityksen ennen tuotteen käyttöä.



Lue käyttöohje.



Ni-MH
Li-ion

Koskee vain EU-maita
Käytetyillä sähkö- ja elektroniikkalaitteilla, paristoilla ja akuilla voi olla negatiivisia ympäristö- ja terveysvaikutuksia niissä käytettyjen haitallisten osien takia. Älä hävitä sähkö- ja elektroniikkalaitteita tai akkuja kotitalousjätteen mukana! Vanhoja sähkö- ja elektroniikkalaitteita, paristoja ja akkuja koskevan EU-direktiivin ja sen perusteella laadittujen kansallisten lakien mukaan käytetyt sähkö- ja elektroniikkalaitteet, paristot ja akut on kierrätettävä toimittamalla ne erilliseen, ympäristönsuojelusäädösten mukaisesti toimivaan kierrätyspisteeseen. Tämä on ilmaistu laitteessa olevalla yliviedyn roska-astian symbolilla.

3. Älä väärinkäytä virtajohtoa. Älä kannata tai vedä virtajohdosta tai irrota sitä virransyötöstä johdosta vetämällä. Suojaa johto kuumuudelta, öljyltä ja teräviltä kulmilta.
4. Älä jätä mitään virtajohtoja irtikytkettyyn tilaan akkuvirran syötön aikana. Muussa tapauksessa pienet lapset voivat laittaa jännitteellisen johdon suuhunsa, jonka seurauksena on tapaturmia.
5. Älä sijoita USB-virransyöttöliitäntään naujoja, johtoja tai muita esineitä. Se voi aiheuttaa oikosulun, mikä voi johtaa savuamiseen tai tulipaloon.
6. Älä liitä virtalähdettä USB-liitäntään. USB-liitäntä on tarkoitettu vain pienjännitelaitteiden lataukseen. Aseta suojaa aina USB-liitäntään päälle, kun pienjännitelaitteita ei ole latauksessa. Muussa tapauksessa voi seurauksena olla tulipalovaara.
7. Lataa akku vain valmistajan määrittämällä laturilla. Tietyille akulle sopiva laturi voi aiheuttaa tulipalovaaran, jos sitä käytetään muuntyyppisen toisen akun kanssa.
8. Käytä laitteita vain määritysten mukaisten akkupakettien kanssa. Muun tyyppisten akkupakettien käyttäminen voi aiheuttaa tapaturma- tai tulipalovaaran.
9. Kun akku ei ole käytössä, säilytä se erillään metalliesineistä, kuten paperiliittimistä, koloista, avaimista, nauloista, ruuveista ja muista pienistä metalliesineistä, jotka voivat yhdistää akun navat. Akun napojen oikosulkeminen voi aiheuttaa palovamman tai tulipalon.
10. Akusta voi vuotaa nestettä, jos sitä käsitellään väärin. Vältä kosketusta. Jos nestettä pääsee iholle vahingossa, huuhtelee iho vedellä. Jos nestettä pääsee silmiin, hakeudu lääkärin hoitoon. Ulos purkautunut akkuneste voi ärsyttää ihoa tai aiheuttaa palovammoja.
11. Älä käytä akkua tai akun kanssa käytettäväksi tarkoitettua laitetta, jos se on vaurioitunut tai sitä on muokattu. Viallinen tai muokattu akku tai laite voi toimia odottamattomasti, mikä voi aiheuttaa tulipalo-, räjähdys- tai tapaturmavaaran.

TURVAVAROITUKSET

VAROITUS: Lue tämän laitteen kanssa käytettävän Makita-tuotteen käyttöohjeet ennen käyttöä.

VAROITUS: Käytä tätä laitetta vain Makitan ilmoittamien tuotteiden kanssa. Laitteen käyttäminen yhteensopimattomien tuotteiden kanssa voi aiheuttaa tulipalon, liiallisen ylikuumenemisen, räjähdyksen tai akkunestevuotoja.

Sähköturvallisuus

1. Älä käsittele virtajohtoa ja akkuja märillä tai rasvaisilla käsillä.
2. Älä käytä vaurioitunutta USB-kaapelia.

12. Älä altista akkupakettia tulelle tai äärimmäisille lämpötiloille. Altistus tulelle tai yli 130 °C:n lämpötiloille voi aiheuttaa räjähdysksen.
13. Noudata kaikkia latausohjeita, äläkä lataa akkupakettia ohjeissa määritettyjen lämpötilarajojen ulkopuolella. Väärin tai ohjeissa määritettyjen lämpötilarajojen ulkopuolella suoritettu lataus voi aiheuttaa akkuvaurion ja kasvattaa tulipalovaaraa.
14. Huollata tuote pätevällä korjaajalla vain alkuperäisiä vastaavia varaosia käyttämällä. Näin varmistetaan, että tuotteen turvallisuus säilyy.
15. Älä yritä muokata tai korjata laitetta tai akkupakettia muutoin kuin käyttö- ja ylläpito-ohjeissa on ohjeistettu.
10. Sisältyviä litium-ioni-akkuja koskevat vaarallisten aineiden lainsäädännön vaatimukset. Esimerkiksi kolmansien osapuolten huoltaliikkeiden tulee kaupallisissa kuljetuksissa noudattaa pakkaamista ja merkintöjä koskevia erityisvaatimuksia. Lähettettävän tuotteen valmistelu edellyttää vaarallisten aineiden asiantuntijan neuvontaa. Huomioi myös mahdollisesti yksityiskohtaisemmat kansalliset määräykset. Akun avoimet liittimet tulee suojata teipillä tai suojuksella ja pakkaaminen tulee tehdä niin, ettei akku voi liikkua pakkauksessa.

Akkupakettia koskevia tärkeitä turvaohjeita

1. Ennen akun käyttöönottoa tutustu kaikkiin laturissa (1), akussa (2) ja akkukäyttöisessä tuotteessa (3) oleviin varoitusteksteihin.
2. Älä pura tai peukalo imuria akkupakettia. Se voi johtaa tulipaloon, ylikuumentumiseen tai räjähdykseen.
3. Jos akun toiminta-aika lyhenee merkittävästi, lopeta akun käyttö. Seurauksena voi olla ylikuumentuminen, palovammoja tai jopa räjähdys.
4. Jos akkuneustettua pääsee silmiin, huuhtele puhtaalla vedellä ja hakeudu välittömästi lääkärin hoitoon. Akkuneuste voi aiheuttaa näön menetyksen.
5. Älä oikosulje akkua.
 - (1) Älä koske akun napoihin millään sähköä johtavalla materiaalilla.
 - (2) Vältä akun oikosulkemista äläkä säilytä akkua yhdessä muiden metalliesineiden, kuten naulojen, kolikoiden ja niin edelleen kanssa.
 - (3) Älä aseta akkua alttiiksi vedelle tai sateelle.

Oikosulku voi aiheuttaa virtapiikin, ylikuumentumista, palovammoja tai laitteen rikkoutumisen.
6. Älä säilytä ja käytä työkalua ja akkupakettia paikassa, jossa lämpötila voi nousta 50 °C:een (122 °F) tai korkeammaksi.
7. Älä hävitä akkua polttamalla, vaikka se olisi pahoin vaurioitunut tai täysin loppuun kulunut. Avotuli voi aiheuttaa akun räjähtämisen.
8. Älä naulaa, leikkaa, purista, heitä tai pudota akkupakettia tai iske sitä kovia esineitä vasten. Tällaiset toimet voivat johtaa tulipaloon, ylikuumentumiseen tai räjähdykseen.
9. Älä käytä viallista akkua.
11. Kun akkupaketti on hävitettävä, poista se laitteesta ja hävitä se turvallisesti. Hävitä akku paikallisten määräysten mukaisesti.
12. Käytä akkua vain Makitan ilmoittamien tuotteiden kanssa. Akkujen asentaminen yhteensopimattomiin tuotteisiin voi aiheuttaa tulipalon, liiallisen ylikuumentumisen, räjähdysksen tai akkuneustevuotoja.
13. Jos laitetta ei käytetä pitkään aikaan, akku on poistettava laitteesta.
14. Akkupaketin lämpötila voi käytön aikana ja sen jälkeen nousta niin kuumaksi, että se voi aiheuttaa palovammoja tai lieviä palovammoja. Käsittele kuumia akkupaketteja huolellisesti.
15. Älä kosketa työkalun liittintä välittömästi käytön jälkeen, sillä se voi olla riittävän kuuma aiheuttamaan palovammoja.
16. Älä päästä lastuja, pölyä tai maata akkupaketin liittimiin, aukkoihin ja uriin. Se voi heikentää työkalun tai akkupaketin suorituskykyä tai johtaa niiden rikkoutumiseen.
17. Ellei työkalu tue käyttöä korkeajännitelinjojen lähellä, älä käytä akkupakettia korkeajännitelinjojen lähellä. Se voi johtaa työkalun tai akkupaketin toimintahäiriöön tai rikkoutumiseen.
18. Pidä akku poissa lasten ulottuvilta.

SÄILYTÄ NÄMÄ OHJEET.

⚠HUOMIO: Käytä vain alkuperäisiä Makita-akkuja. Muiden kuin aitojen Makita-akkujen, tai mahdollisesti muutettujen akkujen käyttö voi johtaa akun murtumiseen ja aiheuttaa tulipaloja, henkilö- ja omaisuusvahinkoja. Se mitätöi myös Makita-työkalun ja -laturin Makita-takuun.

Vihjeitä akun käyttöön pidentämiseksi

1. Lataa akku ennen kuin se purkautuu täysin. Lopeta aina työkalun käyttö ja lataa akku, jos huomaat työkalun tehon vähenevän.
2. Älä koskaan lataa uudestaan täysin ladattua akkua. Yililataaminen lyhentää akun käyttöikää.
3. Lataa akku huoneen lämpötilassa välillä 10 °C - 40 °C. Anna kuuman akun jäähtyä ennen lataamista.
4. Irrota akkupaketti työkalusta tai laturista, kun sitä ei käytetä.
5. Lataa akkupaketti, jos et käytä sitä pitkään aikaan (yli kuusi kuukautta).

OSIEN KUVAUS

Tätä pidikettä voi käyttää seuraavien Makitan tuuletintakkien/-liivien ja lämpötakkien/-liivien/-peitteiden kanssa.

► Kuva1

Ryhmä	Malli
A	Tuuletintakki/-liivi: DFV210, DFJ206, DFJ207, DFJ210, DFJ211, DFJ212, DFJ213, DFJ214, DFJ216, DFJ304, DFJ305, DFJ310, DFJ311, DFJ405, DFJ407, DFJ410, DFJ411, DFJ416 Lämpötakki/-liivi/-peite: CV102D, DCV202, CJ105D, CJ106D, DCJ205, DCJ206, CB100D, DCB200
B	Tuuletintakki/-liivi: DFJ212A, DFJ213A, DFJ214A, DFJ216A, DFJ312A, DFJ416A, DFV210A, DFV214A

1. Tehotason merkkivalot

Tuuletintakkia/-liiviä käytettäessä nämä ilmaisevat tehotason.

HUOMAA: Edellä määritetyn ryhmän A tuuletintakkeja/-liivejä käytettäessä tehotason 4 merkkivalo ei syty, koska näissä tuotteissa tuuletin tehotason säätö on kolmipykäläinen.

HUOMAA: Lämpötakkia/-liiviä/-peitettä käytettäessä vain tehotason 4 merkkivalot palavat.

2. Virtapainike

Kytke virta päälle asettamalla akkupaketti paikalleen ja pitämällä sitten virtapainiketta painettuna, kunnes tehotason merkkivalot syttyvät.

Kun haluat vaihtaa tuuletintakin/-liivin tehotasoa virran ollessa kytkettynä, paina virtapainiketta lyhyesti. Kun haluat kytkeä virran pois päältä, pidä virtapainiketta painettuna, kunnes tehotason merkkivalot sammuvat.

HUOMAA: Kun haluat vaihtaa lämpötakin/-liivin/-peitteen tehotasoa virran ollessa kytkettynä, paina lämpötakin/-liivin/-peitteen painiketta.

3. Virtapistoke

Kytke takin/liivin/peitteen kaapeli tai sovitinkaapeli tähän.

4. Tuuletintakin/-liivin sovitinkaapeli (lisävaruste)

Käytä sovitinkaapelia edellä määritetyn ryhmän A tuotteiden kanssa.

5. Lämpötakin/-liivin/-peitteen sovitinkaapeli (lisävaruste)

Käytä sovitinkaapelia edellä määritetyn ryhmän A tuotteiden kanssa.

6. Takin/liivin/peitteen virtajohto

Kun käytät edellä määritetyn ryhmän A tuotteita, kytke tämä tuuletintakin/-liivin tai lämpötakin/-liivin/-peitteen asianmukaiseen sovitinkaapeliin.

Kun käytät edellä määritetyn ryhmän B tuotteita, kytke tämä akkupidikkeen virtapistokkeeseen.

HUOMAA: Pistokkeen koko ja sijainti vaihtelevat takin/liivin/peitteen mukaan.

7. Akkupaketti (lisävaruste)

Paina akkupaketti pidikkeen pohjaan asti niin, että kuulet sen napsahdavan paikalleen.

TOIMINTOJEN KUVAUS

Akun asentaminen ja irrottaminen

⚠HUOMIO: Pidä akkupidikkeestä ja akusta tiukasti kiinni akun asentamisen tai irrottamisen aikana. Jos akku tai akkupidike putoaa käsistäsi, ne voivat vaurioitua ja/tai aiheuttaa tatarurmia.

⚠HUOMIO: Sammuta laite aina ennen akkupaketin irrottamista.

► **Kuva2:** 1. Punainen merkkivalo 2. Painike 3. Akkupaketti 4. Akkupidike

Akku liitetään paikalleen sovitamalla akun kieleke rungon uraan ja työntämällä se sitten paikalleen. Työnnä akku pohjaan asti niin, että kuulet sen napsahdavan paikalleen. Jos painikkeen yläpuolella näkyy punainen ilmaisin, akku ei ole lukkiutunut täysin paikalleen.

Irrota akku painamalla akun etupuolella olevaa painiketta ja vetämällä akku ulos akkupidikkeestä.

⚠HUOMIO: Työnnä akku aina pohjaan asti, niin että punainen ilmaisin ei enää näy. Muussa tapauksessa akku voi pudota akkupidikkeestä ja aiheuttaa käyttäjään tai sivullisiin kohdistuvia henkilövahinkoja.

⚠HUOMIO: Älä käytä voimaa akun asennuksessa. Jos akku ei asetu paikalleen helposti, se on väärässä asennossa.

Akkupidikkeen kiinnitys

Voit ripustaa akkupidikkeen vyöhösi.

Kiinnitä hihna hihnareikään ja kiinnitä akkupidike siihen sen tahattoman putoamisen välttämiseksi.

► **Kuva3:** 1. Hihnareikä

Akkupidikkeessä on liukuestetoiminto. Kun akkupidike irrotetaan vyöstä, vedä akkupidikettä ylös painamalla samanaikaisesti vapautuspainiketta.

► **Kuva4:** 1. Vapautuspainike

USB-laitteiden liitäntä

⚠HUOMIO: Liitä ainoastaan USB-virransyöttöliitännän kanssa yhteensopivia laitteita. Muussa tapauksessa voi seurauksena olla akkupidikkeen käyttöhäiriöitä.

HUOMAUTUS: Ennen USB-laitteen liittämistä akkupidikkeeseen (akulla), varmuuskopioi aina USB-laitteessa olevat tiedot. Muussa tapauksessa voi seurauksena olla tietojesi häviäminen.

HUOMAUTUS: Akkupidike ei ehkä syötä virtaa kaikille USB-laitteille.

HUOMAUTUS: Irrota USB-johto ja peitä liitäntä suojalla, kun liitäntä ei ole käytössä tai lataus on päättynyt.

Akkupidikettä (ja akkupakettia) voi käyttää USB-laitteiden ulkoisena virtalähteenä.

Avaa suoja ja liitä USB-kaapeli (ei toimiteta mukana) akkupidikkeen USB-liitäntään. Liitä kaapelin toinen pää laitteeseen. Aloita lataaminen pitämällä virtapainiketta painettuna, kunnes tehotason merkkivalot syttyvät. Lopeta lataaminen pitämällä virtapainiketta painettuna, kunnes tehotason merkkivalot sammuvat.

► **Kuva5:** 1. Suoja 2. USB-liitäntä

HUOMAA: Todellinen antovirta vaihtelee kytketyn USB-laitteen mukaan.

HUOMAA: Akkuvirtaa kulutetaan, kun virtapainike on päällä. Kytke tuote aina pois päältä käytön loputtua.

HUOMAA: Jos lataat useita USB-laitteita peräkkäin, odota noin 10 sekuntia kunkin latauksen päätyttyä ennen kuin alat ladata seuraavaa laitetta.

KUNNOSSAPITO

HUOMAUTUS: Älä koskaan käytä bensiiniä, ohenteita, alkoholia tai tms. aineita. Muutoin seurauksena voi olla värjäytymiä, muodon vääristymiä tai halkeamia.

HUOMAUTUS: Älä pese akkupidikettä vedellä.

- Puhdista kotelo pyyhkimällä lika, pöly, öljy, rasva jne. pois puhtaalla ja kuivalla tai saippuaveteen kostetulla ja kuivaksi väännetyllä liinalla.
- Säilytä laitetta paikassa, jossa se ei altistu äärimmäiselle kuumuudelle, kylmyydelle tai kosteudelle.

Tuotteen TURVALLISUUDEN ja LUOTETTAVUUDEN takaamiseksi korjaukset, muut huoltotyöt ja säädöt on teetettävä Makitan valtuutetussa huoltopisteessä Makitan varaosia käyttäen.

SPECIFIKĀCIJAS

Modelis	TD00000111 Akumulatoru turētājs LXT akumulatora kasetnei	TD00000110 Akumulatoru turētājs CXT akumulatora kasetnei
Nominālais spriegums	Līdzstrāva 14,4 V Līdzstrāva 18 V	Maks. līdzstrāva 10,8 V–12 V
Akumulatora kasetne	BL1415N / BL1430B / BL1440 / BL1460B BL1815N / BL1820B / BL1830 / BL1830B / BL1840B / BL1850B / BL1860B	BL1016 / BL1021B / BL1041B
USB strāvas apgādes pieslēgvietā	Līdzstrāva 5 V, 2,4 A, A tips	
Izmēri (G × P × A)	100 mm x 78 mm x 39 mm	88 mm x 61 mm x 33 mm
Neto svars	0,14 kg	0,09 kg

- Dažas no iepriekš norādītajām akumulatora kasetnēm var nebūt pieejamas atkarībā no jūsu mītnes reģiona.

BRĪDINĀJUMS: Izmantojiet vienīgi iepriekš norādītās akumulatora kasetnes. Cita tipa akumulatora kasetņu izmantošana var radīt traumu un/vai aizdegšanās risku.

Simboli

Izstrādājumam tiek izmantoti dažādi no tālāk norādītajiem simboliem. Pirms izmantošanas pārlicinieties, vai pareizi izprotat to nozīmi.



Izlasiet lietošanas rokasgrāmatu.



Tikai ES valstīs

Tā kā šajā aprīkojumā ir bīstamas sastāvdaļas, elektrisko un elektronisko iekārtu, akumulatoru un bateriju atkritumi var negatīvi ietekmēt apkārtējo vidi un cilvēka veselību.

Elektroierīces, elektroniskās ierīces un akumulatorus nedrīkst izmest kopā ar mājāsaimniecības atkritumiem!

Saskaņā ar Eiropas direktīvu par elektrisko un elektronisko iekārtu atkritumiem, akumulatoriem un baterijām, kā arī akumulatoru un bateriju atkritumiem un šīs direktīvas pielāgošanu valsts tiesību aktiem elektrisko un elektronisko iekārtu, bateriju un akumulatoru atkritumi ir jāglabā atsevišķi un jānogādā uz sadzīves atkritumu dalītās savākšanas vietu, ievērojot attiecīgos vides aizsardzības noteikumus.

Par to liecina uz iekārtas redzams simbols ar pārsvītrotu atkritumu konteineru uz riteņiem.

Elektriskā drošība

1. **Neņemiet vadu un akumulatoru ar mitrām vai taukainām rokām.**
2. **Nelietojiet bojātu USB kabeli.**
3. **Lietojiet vadu pareizi. Nekad neizmantojiet vadu nešanai, neraujiet aiz tā, neraujiet vadu, lai to atvienotu. Sargājiet vadu no karstuma, eļļām un asām malām.**
4. **Ja tiek izmantota akumulatora jauda, nodrošiniet, lai nebūtu kādu nepievienotu vadu.** Mazi bērni varētu ielikt mutē strāvai pieslēgtu spraudni un gūt savainojumus.
5. **Neievietojiet USB strāvas apgādes pieslēgvietā naglas, stieples vai citus priekšmetus.** Tādējādi var veidoties īsslēgums, kas var izraisīt dūmus vai aizdegšanos.
6. **Nepievienojiet USB pieslēgvietai strāvas avotu. USB pieslēgvietā ir paredzēta tikai zemsprieguma ierīču uzlādei. Ja USB pieslēgvietā netiek uzlādētas zemsprieguma ierīces, vienmēr uzlieciet tai vāciņu.** Pretējā gadījumā ir aizdegšanās risks.
7. **Uzlādei izmantojiet tikai ražotāja norādīto lādētāju. Vienam akumulatoru tipam paredzēto lādētāja izmantošana cita tipa akumulatoru uzlādei var radīt aizdegšanās draudus.**
8. **Izmantojiet ierīces tikai ar paredzētajiem akumulatoriem.** Cita tipa akumulatoru izmantošana var radīt traumu un aizdegšanos bīstamību.
9. **Kamēr akumulators netiek izmantots, neturiet to blakus metāla priekšmetiem, piemēram, saspurdam, monētām, atslēgām, naglām, skrūvēm un citiem nelieliem metāla priekšmetiem, kas var savienot izvadus.** Akumulatora spaiļu īssavienojums var izraisīt apdegumus vai aizdegšanos.

DROŠĪBAS BRĪDINĀJUMI

BRĪDINĀJUMS: Pirms izmantošanas noteikti izlasiet Makita izstrādājuma lietošanas rokasgrāmatu, kurš tiks izmantots ar šo ierīci.

BRĪDINĀJUMS: Izmantojiet šo ierīci tikai ar Makita norādītajiem izstrādājumiem. Izmantojot šo ierīci kopā ar nesaderīgiem izstrādājumiem, var rasties aizdegšanās, pārmērīgs karstums, eksplozija vai elektrolīta noplūde.

10. Nepareizas lietošanas gadījumā no akumulatora var iztecēt šķidrums, nepieskarieties tam. Ja nejauši pieskārties šķidrumam, noskalojiet skarto vietu ar ūdeni. Ja šķidrums nokļūst acīs, papildus iepriekš minētajam, vērsieties pie ārsta. No akumulatora iztecejušais šķidrums var izraisīt kairinājumu vai apdegumus.
11. Neizmantojiet akumulatoru vai ierīci, kas paredzēta izmantošanai ar akumulatoru, ja kāda no ierīcēm ir bojāta vai modificēta. Bojāti vai pārveidoti akumulatori vai ierīces var darboties nepareizi, izraisot aizdegšanos, sprādzienu vai traumu.
12. Nepakļaujiet akumulatoru uguns un pārmērīgi augstas temperatūras iedarbībai. Pakļaujot izstrādājumus uguns vai par 130 °C augstākas temperatūras iedarbībai, var notikt sprādziens.
13. Izpildiet visus uzlādes norādījumus un neuzlādējiet akumulatoru ārpus norādījumos noteiktā temperatūras diapazona. Nepareiza uzlāde vai uzlāde temperatūrā, kas ir ārpus noteiktā diapazona, var sabojāt akumulatoru un palielināt aizdegšanās draudus.
14. Ierīces apkopi uzticiet kvalificētam remonta speciālistam, kurš izmanto tikai identiskas rezerves daļas. Tādējādi tiks uzturēta ierīces drošība.
15. Nepārveidojiet vai nemēģiniet labot ierīci vai akumulatoru veidos, kas nav norādīti ierīces lietošanas un apkopes norādījumos.
8. Akumulatora kasetni nedrīkst naglot, griezt, saspīest, mest vai nomest, kā arī pa to nedrīkst sist ar cietu priekšmetu. Šādas darbības var izraisīt aizdegšanos, pārmērīgu karstumu vai sprādzienu.
9. Neizmantojiet bojātu akumulatoru.
10. Uz izmantotajiem litiņa jonu akumulatoriem attiecas likumdošanas prasības par bīstamiem izstrādājumiem. Komerציāla transportēšanā, ko veic, piemēram, trešās puses, transporta uzņēmumi, jāievēro uz iesaiņojuma un marķējuma norādītās īpašās prasības. Lai izstrādājumu sagatavotu nosūtīšanai, jāsažinās ar bīstamo materiālu speciālistu. Ievērojiet arī citus attiecināmos valsts normatīvus. Vaļējus kontaktus nosedziet ar līmlenti vai citādi pārklājiet, bet akumulatoru iesaiņojiet tā, lai sānī tas nevarētu izkustēties.
11. Lai utilizētu akumulatora kasetni, izņemiet to no darbarīka un likvidējiet drošā vietā. Ievērojiet vietējos noteikumus par akumulatora likvidēšanu.
12. Izmantojiet šos akumulatorus tikai ar izstrādājumiem, kurus norādījis Makita. Ievietojot šos akumulatorus nesaderīgos izstrādājumos, var rasties ugunsgrēks, pārmērīgs karstums, tie var uzsprāgt vai no tiem var iztecēt elektrolīts.
13. Ja darbarīks netiks lietots ilgu laiku, no tā jāizņem akumulators.
14. Lietošanas laikā vai pēc tās akumulatora kasetne var uzkrāt siltumu, kas var izraisīt apdegumus vai zemas temperatūras apdegumus. Ar karstu akumulatora kasetni apeiļieties rūpīgi.
15. Nepieskarieties darbarīka izvadam uzreiz pēc lietošanas, jo tas var būt sakarsis un izraisīt apdegumus.
16. Neļaujiet akumulatora kasetnes izvadā, atverēs un rievās uzkrāties skaidām, putekļiem vai augsnei. Tādējādi darbarīks vai akumulatora kasetne var sākt darboties nekvalitatīvi vai tikt sabojāti.
17. Neizmantojiet akumulatora kasetni augstsprieguma līniju tuvumā, izņemot gadījumus, kad darbarīks ir piemērots lietošanai augstsprieguma līniju tuvumā. Citādi darbarīks vai akumulatora kasetne var sākt darboties nepareizi vai tikt sabojāti.
18. Glabājiet akumulatoru bērniem nepieejamā vietā.

Svarīgi drošības norādījumi par akumulatora kasetni

1. Pirms akumulatora lietošanas izlasiet visus norādījumus un brīdinājumus, kuri attiecas uz (1) akumulatora lādētāju, (2) akumulatoru un (3) ierīci, kurā tiek izmantots akumulators.
2. Akumulatora kasetni nedrīkst ne pārveidot, ne izjaukt. Citādi var tikt izraisīta aizdegšanās, pārmērīgs karstums vai sprādziens.
3. Ja akumulatora darbības laiks kļūva ievērojami īsāks, nekavējoties pārtrauciet to izmantot. Citādi, tas var izraisīt pārkarsējumu, uzliesmojumu vai pat sprādzienu.
4. Ja elektrolīts nonāk acīs, izskalojiet tās ar tīru ūdeni un nekavējoties griezieties pie ārsta. Tas var izraisīt redzes zaudēšanu.
5. Neradiet īssavienojumu akumulatora kasetnē:
 - (1) Nepieskarieties spailēm ar elektrību vadošiem materiāliem.
 - (2) Neuzglabājiet akumulatoru kasetni kopā ar citiem metāla priekšmetiem, tādiem kā naglas, monētas u. c.
 - (3) Nepakļaujiet akumulatora kasetni ūdens vai lietus iedarbībai.

Akumulatora īssavienojums var radīt spēcīgu strāvas plūsmu, pārkaršanu, uzliesmojumu un pat sabojāt akumulatoru.

6. Neglabājiet un neizmantojiet darbarīku un akumulatora kasetni vietās, kur temperatūra var sasniegt vai pārsniegt 50 °C (122 °F).
7. Nededziniet akumulatora kasetni, pat ja tā ir stipri bojāta vai pilnībā nolietota. Akumulatora kasetne ugunī var eksplodēt.

SAGLABĀJIET ŠOS NORĀDĪJUMUS.

▲UZMANĪBU: Lietojiet tikai oriģinālos Makita akumulatorus. Ja lietojat neoriģinālus Makita akumulatorus vai pārveidotus akumulatorus, tie var uzsprāgt un izraisīt aizdegšanos, traumas un materiālos zaudējumus. Tiks anulēta arī Makita darbarīka un lādētāja garantija.

Ieteikumi akumulatora kalpošanas laika pagarināšanai

1. Uzlādējiet akumulatora kasetni, pirms tā ir pilnībā izlādējusies. Vienmēr, kad ievērojat, ka darbarīka darba jauda zudusi, apturiet darbarīku un uzlādējiet akumulatora kasetni.
2. Nekad neuzlādējiet pilnībā uzlādētu akumulatora kasetni. Pārmērīga uzlāde saīsina akumulatora kalpošanas laiku.
3. Uzlādējiet akumulatora kasetni istabas temperatūrā 10 °C - 40 °C. Karstai akumulatora kasetnei pirms uzlādes ļaujiet atdzist.
4. Kad akumulatora kasetne netiek izmantota, izņemiet to no darbarīka vai lādētāja.
5. Uzlādējiet litija jonu akumulatora kasetni, ja to ilgstoši nelietosit (vairāk nekā sešus mēnešus).

DETAĻU APRAKSTS

Turētāju var izmantot tālāk norādītajai Makita jakai ar ventilatoru/vestei un apsildāmajai jakai/vestei/segai.

► Att.1

Grupa	Modelis
A	Jaka ar ventilatoru/veste: DFV210, DFJ206, DFJ207, DFJ210, DFJ211, DFJ212, DFJ213, DFJ214, DFJ216, DFJ304, DFJ305, DFJ310, DFJ311, DFJ405, DFJ407, DFJ410, DFJ411, DFJ416 Apsildāmā jaka/veste/segā: CV102D, DCV202, CJ105D, CJ106D, DCJ205, DCJ206, CB100D, DCB200
B	Jaka ar ventilatoru/veste: DFJ212A, DFJ213A, DFJ214A, DFJ216A, DFJ312A, DFJ416A, DFV210A, DFV214A

1. Jaudas līmeņa indikators

Izmantojot jaku ar ventilatoru/vesti, tiek attēlots jaudas līmenis.

PIEZĪME: Ja izmantojat iepriekš norādītās A grupas jakas ar ventilatoru/vestes, jaudas līmeņa indikators 4 neiedegas, jo to ventilatora blokam ir 3 līmeņu vadība.

PIEZĪME: Ja izmantojat apsildāmo jaku/vesti/segai, iedegas tikai jaudas līmeņa indikators 4.

2. Ieslēgšanas/izslēgšanas poga

Lai ieslēgtu, ievietojiet akumulatora kasetni un tad turiet nospiestu ieslēgšanas/izslēgšanas pogu, līdz iedegas jaudas līmeņa indikators.

Lai mainītu jakas ar ventilatoru/vestes jaudas līmeni, ieslēgtai ierīcei Tsi nospiediet ieslēgšanas/izslēgšanas pogu.

Lai izslēgtu, turiet nospiestu ieslēgšanas/izslēgšanas pogu, līdz jaudas līmeņa indikators izslēdzas.

PIEZĪME: Lai mainītu apsildāmās jakas/vestes/segas siltuma līmeni, nospiediet ieslēgtas apsildāmās jakas/vestes/segas pogu.

3. Strāvas kontaktligzda

Pievienojiet jakas/vestes/segas kabeli vai adaptera kabeli.

4. Jakas ar ventilatoru/vestes adaptera kabelis (papildpiederums)

Izmantojiet adaptera kabeli, ja izmantojat iepriekš norādītos A grupas izstrādājumus.

5. Apsildāmās jakas/vestes/segas adaptera kabelis (papildpiederums)

Izmantojiet adaptera kabeli, ja izmantojat iepriekš norādītos A grupas izstrādājumus.

6. Jakas/vestes/segas strāvas vads

Iepriekš norādītajiem A grupas izstrādājumiem pievienojiet atbilstošu adaptera kabeli: jakai ar ventilatoru/vestei vai apsildāmajai jakai/vestei/segai.

Iepriekš norādītajiem B grupas izstrādājumiem iespraudiet akumulatoru turētāja strāvas kontaktligzda.

PIEZĪME: Kontaktligzdas forma un atrašanās vieta dažādām jakām/vestēm/segām var atšķirties.

7. Akumulatora kasetne (papildpiederums)

Ievietojiet akumulatora kasetni turētājā līdz galam, līdz tā fiksējas vietā ar klikšķi.

FUNKCIJU APRAKSTS

Akumulatora kasetnes uzstādīšana un izņemšana

UZMANĪBU: Uzstādot vai izņemot akumulatora kasetni, akumulatora turētāju un akumulatora kasetni turiet cieši. Ja akumulatora turētāju un akumulatora kasetni netur cieši, tie var izslīdēt no rokām, radīt bojājumus akumulatora turētājam un akumulatora kasetnei un/vai izraisīt savainojumus.

UZMANĪBU: Vienmēr pirms akumulatora kasetnes izņemšanas izslēdziet ierīci.

► **Att.2:** 1. Sarkanās krāsas indikators 2. Poga 3. Akumulatora kasetne 4. Akumulatoru turētājs

Lai uzstādītu akumulatora kasetni, salāgojiet mēlīti uz akumulatora kasetnes ar atveri ietvarā un iebīdīet to vietā. Ievietojiet akumulatora kasetni līdz galam, līdz tā fiksējas vietā ar klikšķi. Ja pogas augšējā daļā redzams sarkanās krāsas indikators, tas nozīmē, ka tā nav pilnīgi fiksēta.

Lai izņemtu akumulatora kasetni, izvelciet to no akumulatora turētāja, vienlaicīgi spiežot kasetnes priekšpusē esošo pogu.

⚠UZMANĪBU: Vienmēr pilnībā ievietojiet akumulatora kasetni, lai sarkanās krāsas indikators nebūtu redzams. Pretējā gadījumā akumulatora kasetne var nejauši izkrist no akumulatora turētāja un radīt jums vai apkārtējiem ievainojumus.

⚠UZMANĪBU: Neievietojiet akumulatora kasetni ar spēku. Ja akumulatora kasetne neiebidās viegli, tā nav pareizi ielikta.

Akumulatora turētāja pievienošana

Varat piekarināt akumulatora turētāju pie jostas. Lai akumulatora turētājs nevarētu nejauši nokrist, caur saites atveri pievienojiet saiti un nostipriniet to.

► **Att.3:** 1. Saites atvere

Akumulatora turētājam ir pretnokrišanas funkcija. Noņemot akumulatora turētāju no jostas, velciet akumulatora turētāju uz augšu, vienlaicīgi spiežot atbloķēšanas pogu.

► **Att.4:** 1. Atbloķēšanas poga

USB ierīču pievienošana

⚠UZMANĪBU: Pievienojiet tikai tādas ierīces, kas ir saderīgas ar USB strāvas apgādes pieslēgvietu. Pretējā gadījumā iespējama akumulatoru turētāja atteice.

IEVĒRĪBAI: Pirms USB ierīces pievienošanas akumulatoru turētājam (ar akumulatoru), vienmēr veiciet USB ierīcē esošo datu dublējumu. Pretējā gadījumā iespējams zaudēt datus.

IEVĒRĪBAI: Iespējams, ka šis akumulatoru turētājs nespēs nodrošināt strāvas apgādi atsevišķām USB ierīcēm.

IEVĒRĪBAI: Pēc uzlādes vai tad, ja USB kabelis netiek izmantots, noņemiet USB kabeli un aizveriet vāciņu.

Akumulatoru turētāju (ar akumulatora kasetni) var izmantot kā ārēju strāvas apgādes avotu USB ierīcēm.

Atveriet vāciņu un pievienojiet USB kabeli (nav ietverts piegādes komplektācijā) akumulatoru turētāja USB pieslēgvietā. Tad pievienojiet otru kabeļa galu ierīcei. Lai sāktu uzlādi, turiet nospiestu ieslēgšanas/izslēgšanas pogu, līdz iedegas jaudas līmeņa indikators. Lai pārtrauktu uzlādi, turiet nospiestu ieslēgšanas/izslēgšanas pogu, līdz jaudas līmeņa indikators nodzies.

► **Att.5:** 1. Vāciņš 2. USB pieslēgvietā

PIEZĪME: Faktiskā izejas strāva atšķiras atkarībā no pievienojamās USB ierīces.

PIEZĪME: Kad ieslēgšanas/izslēgšanas poga ir ieslēgta, tiek patērēta akumulatora jauda. Ja šī iespēja netiek izmantota, vienmēr izslēdziet slēdzi.

PIEZĪME: Uzlādējot vairākas USB ierīces secīgi, uzgaidiet aptuveni 10 sekundes pēc iepriekšējās ierīces uzlādes beigām, pirms sākat nākamās ierīces uzlādi.

APKOPE

IEVĒRĪBAI: Nekad neizmantojiet degvielu, benzīnu, šķīdinātāju, spirtu vai līdzīgus šķidrumus. Tas var izraisīt izbalēšanu, deformāciju vai plaisas.

IEVĒRĪBAI: Nemazgājiet akumulatoru turētāju ar ūdeni.

- Noslaukiet netīrumus, putekļus, eļļu, taukus u. c. ar tīru, sausu drānu vai drānu, kas samērcēta ziepjūdenī un pēc tam izgriezta.
- Glabājiet ierīci vietā, kur nav pārmērīga karstuma, aukstuma vai mitruma.

Lai saglabātu izstrādājuma DROŠU un UZTICAMU darbību, remontdarbus, apkopi un regulēšanu uzticiet veikt tikai Makita pilnvarotam vai rūpnīcas apkopes centram, un vienmēr izmantojiet tikai Makita rezerves daļas.

SPECIFIKACIJOS

Modelis	TD0000111 Akumulatoriaus laikiklis LXT akumulatoriaus kasetei	TD0000110 Akumulatoriaus laikiklis CXT akumulatoriaus kasetei
Vardinė įtampa	Nuol. sr. 14,4 V Nuol. sr. 18 V	Nuol. sr. 10,8–12 V maks.
Akumulatoriaus kasetė	BL1415N / BL1430B / BL1440 / BL1460B BL1815N / BL1820B / BL1830 / BL1830B / BL1840B / BL1850B / BL1860B	BL1016 / BL1021B / BL1041B
USB maitinimo prievadas	Nuol. sr. 5 V, 2,4 A, A tipas	
Matmenys (l x P x A)	100 mm x 78 mm x 39 mm	88 mm x 61 mm x 33 mm
Grynasis svoris	0,14 kg	0,09 kg

- Atsižvelgiant į gyvenamosios vietos regioną, kai kurios pirmiau nurodytos akumulatoriaus kasetės gali būti neprieinamos.

ĮSPĖJIMAS: Naudokite tik akumulatoriaus kasetes, kurios nurodytos anksčiau. Naudojant bet kurias kitas akumulatoriaus kasetes, gali kilti sužeidimo ir gaisro pavojus.

Simboliai

Gaminiai naudojami kai kurie iš šių simbolių. Prieš naudodami įsitikinkite, kad suprantate jų reikšmę.



Perskaitykite instrukcijų vadovą.



Taikoma tik ES šalims
Kadangi įrangoje yra pavojingų komponentų, panaudota elektrinė ir elektroninė įranga, akumulatoriai ir baterijos gali turėti neigiamo poveikio aplinkai ir žmonių sveikatai.
Nešalinkite elektros ir elektroninių prietaisų ar baterijų kartu su buitiniams atliekomis! Pagal Europos direktyvą dėl elektros ir elektroninės įrangos atliekų bei akumuliatorių ir baterijų bei jos pritaikymą nacionaliniams įstatymams, panaudota elektros ir elektroninė įranga, baterijos ir akumulatoriai turi būti surenkami atskirai ir pristatomi į atskirą buitinių atliekų surinkimo punktą, kuris veikia pagal aplinkos apsaugos taisyklės. Tai rodo perbrauktas konteinerio ant ratukų simbolis, pateiktas ant įrangos.

Elektros sauga

1. **Nelaikykite laido ir akumulatoriaus šlapiomis ar riebaluotomis rankomis.**
2. **Nenaudokite sugadinto USB kabelio.**
3. **Nepiktnaudžiaukite elektros laidu. Neneškite, netraukite arba neištraukite kištuko už laido. Žiūrėkite, kad laidas būtų kuo toliau nuo šilumos šaltinių, alyvos; nedėkite jo ant aštrių kraštų.**
4. **Nepalikite atjungto jokio laido, kol naudojama akumulatoriaus galia. Maži vaikai gali įsikišti kištuką su srove į burną ir susižeisti.**
5. **Nekiškite vinių, vielų ar kitų daiktų į USB maitinimo prievadą. Taip darant, gali kilti trumpasis jungimas, kuris gali sukelti dūmus ar gaisrą.**
6. **Nejunkite elektros tinklo prie USB prievado. USB prievadas skirtas tik žemesnės įtampos prietaisams įkrauti. Kai joks žemesnės įtampos prietaisas nėra įkraunamas, visada uždenkite USB prievadą dangteliu. Kitaip kyla gaisro pavojus.**
7. **Įkraukite naudodami tik gamintojo nurodytą įkroviklį. Įkroviklis, kuris tinka vienam akumuliatorių tipui įkrauti, gali kelti gaisro pavojų, jei bus naudojamas su kitų tipų akumulatoriais.**
8. **Prietaisus naudokite tik su specialiai jiems skirtais akumulatoriais. Naudojant bet kurį kitą akumuliatorių, gali kilti sužeidimo ir gaisro pavojus.**
9. **Kai akumulatorius nėra naudojamas, laikykite jį toliau nuo kitų metalinių daiktų, pavyzdžiui, popieriaus sąvaržėlių, monetų, raktų, vinių, varžtų ir kitų mažų metalinių daiktų, dėl kurių gali kilti trumpasis jungimas tarp kontaktų. Akumuliatorių kontaktų trumpasis jungimas gali būti nudegimų arba gaisro priežastimi.**

SAUGOS ĮSPĖJIMAI

ĮSPĖJIMAS: Prieš naudodami, būtina perskaitykite savo „Makita“ gaminio, kurį naudosite su šiuo prietaisu, naudojimo instrukciją.

ĮSPĖJIMAS: Šį prietaisą naudokite tik su „Makita“ nurodytais gaminiais. Prietaisą naudojant su netinkamais gaminiais, gali kilti gaisras, gaminys gali pernelyg kaisti, kilti sproginimas arba pratekėti elektrolitas.

10. Netinkamai naudojant iš akumulatoriaus gali ištekėti skysčio. Venkite sąlyčio su juo. Jei sąlytis atsitiktinai įvyko, gausiai nuplaukite vandeniu. Jei skysčio pateko į akis, kreipkitės į gydytoją. Iš akumulatoriaus išbėgęs skystis gali sudirginti arba nudeginti odą.
11. Nenaudokite akumulatoriaus arba prietaiso, kuris bus naudojamas su akumulatoriumi, jeigu jie yra sugadinti arba modifikuoti. Sugadintas arba modifikuotas akumulatorius ar prietaisas gali veikti neįprastai, todėl gali kilti gaisras, sproginimas arba sužalojimo rizika.
12. Akumuliatorių saugokite nuo ugnies ar pernelyg aukštos temperatūros. Dėl ugnies ar 130 °C viršijančios temperatūros gali kilti sproginimas.
13. Laikykitės visų įkrovimo nurodymų ir nekraukite akumulatoriaus, kai temperatūra neatitinka nurodymuose pateikto temperatūros intervalo. Netinkamai įkraunant arba įkraunant esant kitam nei nustatytas temperatūros intervalas, gali būti sugadintas akumulatorius ar padidėti gaisro rizika.
14. Tegu techninę priežiūrą atlieka kvalifikuotas remonto meistras, naudodamas tik identiškias atsargines dalis. Tai užtikrina, kad gaminyje liks saugus naudoti.
15. Nemodifikuokite ar nebandykite remontuoti prietaiso arba akumulatoriaus, jei tai nėra nurodyta naudojimo ir priežiūros instrukcijose.
8. Akumulatoriaus kasetės nekalkite, nepjauskykite ir nemėtykite ir taip pat į ją netrąnkykite kietu daiktu. Taip elgiantis, ji gali užsidegti, per daug įkaisti arba sprogti.
9. Nenaudokite pažeisto akumulatoriaus.
10. Įdėtos ličio jonų akumulatoriams taikomi Pavojingų prekių teisės akto reikalavimai. Komercinis transportas, pvz., trečiųjų šalių, prekių vežimo atstovų, turi laikytis specialaus reikalavimo ant pakuočių ir ženklavimo. Norėdami paruošti siųstiną prekę, pasitarkite su pavojingų medžiagų specialistu. Be to, laikykitės galimai išsamesnių nacionalinių reglamentų. Užklijuokite juosta arba padenkite atvirus kontaktus ir supakuokite akumuliatorių taip, kad ji pakuočiai nejudėtų.
11. Kai išmetate akumulatoriaus kasetę, išimkite ją iš įrankio ir išmeskite saugioje vietoje. Vadovaukitės vietos reglamentais dėl akumuliatorių išmetimo.
12. Baterijas naudokite tik su „Makita“ nurodytais gaminiais. Baterijas įdėjus į netinkamus gaminius gali kilti gaisras, gaminys pernelyg įkaisti, kilti sproginimas arba pratekėti elektrolitas.
13. Jei įrankis bus ilgą laiką nenaudojamas, akumuliatorių būtina išimti iš įrankio.
14. Darbo metu ir po akumulatoriaus kasetę gali būti įkaitusi ir dėl to nudeginti. Imdami akumuliatoriaus kasetes, būkite atsargūs.
15. Tuojau pat po naudojimo nelieskite įrankio gnybtų, nes jie gali būti įkaitę tiek, kad nudegins.
16. Neleiskite, kad į akumulatoriaus kasetės gnybtus, angas ir griovelius patektų drožlių, dulkių ar žemių. Dėl to įrankis ar akumuliatoriaus kasetė gali imti prastai veikti ar sugesti.
17. Jeigu įrankis nėra pritaikytas naudoti šalia aukštos įtampos elektros linijų, akumuliatoriaus kasetės nenaudokite šalia aukštos įtampos elektros linijų. Dėl to gali sutrikti įrankio ar akumuliatoriaus kasetės veikimas arba jie gali sugesti.
18. Laikykite akumuliatorių vaikams nepasiekiamoje vietoje.

Svarbios saugos instrukcijos, taikomos akumuliatoriaus kasetei

1. Prieš naudodami akumuliatoriaus kasetę, perskaitykite visas instrukcijas ir perspėjimus ant (1) akumuliatorių įkroviklio, (2) akumuliatorių ir (3) akumuliatorių naudojančio gaminio.
2. Neardykite ir negadinkite akumuliatoriaus kasetės. Dėl to ji gali užsidegti, per daug įkaisti arba sprogti.
3. Jei įrankio darbo laikas žymiai sutrumpėjo, nedelsdami nutraukite darbą su įrankiu. Tai gali kelti perkaitimo, nudegimų ar net sproginimo pavojų.
4. Jei elektrolitas pateko į akis, plaukite jas tyru vandeniu ir nedelsdami kreipkitės į gydytoją. Gali kilti regėjimo praradimo pavojus.
5. Neužtrumpinkite akumuliatoriaus kasetės:
 - (1) Nelieskite kontaktų degiomis medžiagomis.
 - (2) Venkite laikyti akumuliatoriaus kasetę kartu su kitais metaliniais daiktais, pavyzdžiui, vinimis, monetomis ir pan.
 - (3) Saugokite akumuliatoriaus kasetę nuo vandens ir lietaus.

Trumpasis jungimas akumuliatoriuje gali sukelti stiprią srovę, perkaitimą, galimus nudegimus ar net akumuliatoriaus gedimą.

6. Nelaiykite ir nenaudokite įrankio ir akumuliatoriaus kasetės vietose, kur temperatūra gali pasiekti ar viršyti 50 °C (122 °F).
7. Nedeginkite akumuliatoriaus kasetės, net jei yra stipriai pažeista ar visiškai susidėvėjusi. Ugnyje akumuliatoriaus kasetė gali sprogti.

SAUGOKITE ŠIAS INSTRUKCIJAS.

▲PERSPĖJIMAS: Naudokite tik originalų „Makita“ akumuliatorių. Neoriginalaus „Makita“ arba pakeisto akumuliatoriaus naudojimas gali nulemti gaisrą, asmens sužalojimą ir pažeidimą. Tai taip pat panaikina „Makita“ suteikiamą „Makita“ įrankio ir įkroviklio garantiją.

Patarimai, ką daryti, kad akumuliatorių veiktų kuo ilgiau

1. Pakraukite akumuliatoriaus kasetę prieš jai visiškai išsikraunant. Visuomet nustokite naudoti įrankį ir pakraukite akumuliatoriaus kasetę, kai pastebite, kad įrankio galia sumažėjo.

- Niekada nekraukite iki galo įkrautos akumuliatoriaus kasetės. Perkraunant trumpėja akumuliatoriaus eksploatacijos laikas.
- Akumuliatoriaus kasetę kraukite esant kambario temperatūrai 10 - 40 °C. Prieš pradėdami krauti, leiskite įkaitusiai akumuliatoriaus kasetei atvėsti.
- Kai akumuliatoriaus kasetės nenaudojate, ją išimkite iš įrankio ar įkroviklio.
- Įkraukite akumuliatoriaus kasetę, jei jos nenaudojate ilgą laiką (ilgiau nei šešis mėnesius).

DALIŲ APRAŠYMAS

Šį laikiklį galima naudoti šiai „Makita“ vėdinamai striukei / liemenei ir šildomai striukei / liemenei / antklodei.

► **Pav.1**

Grupė	Modelis
A	Vėdinama striukė / liemenė: DFV210, DFJ206, DFJ207, DFJ210, DFJ211, DFJ212, DFJ213, DFJ214, DFJ216, DFJ304, DFJ305, DFJ310, DFJ311, DFJ405, DFJ407, DFJ410, DFJ411, DFJ416 Šildoma striukė / liemenė / antklodė: CV102D, DCV202, CJ105D, CJ106D, DCJ205, DCJ206, CB100D, DCB200
B	Vėdinama striukė / liemenė: DFJ212A, DFJ213A, DFJ214A, DFJ216A, DFJ312A, DFJ416A, DFV210A, DFV214A

1. Galios lygio indikatorius

Kai naudojate vėdinamą striukę / liemenę, rodomas galios lygis.

PASTABA: Jeigu naudojate pirmiau išvardytas A grupės vėdinamas striukes / liemenes, 4-o galios lygio indikatorius neįsijiebs, nes jų ventiliatoriuose naudojamas 3 žingsnių valdymas.

PASTABA: Jeigu naudojate šildomą striukę / liemenę / antklodę, įsijiebs tik 4-o galios lygio indikatorius.

2. Maitinimo mygtukas

Norėdami įjungti, įdėkite akumuliatoriaus kasetę, tada paspauskite ir palaikykite maitinimo mygtuką, kol įsijiebs maitinimo lygio indikatorius.

Norėdami pakeisti vėdinamos striukės / liemenės galios lygį, trumpai paspauskite maitinimo mygtuką, kai įsijungia maitinimas.

Norėdami išjungti, paspauskite ir palaikykite maitinimo mygtuką, kol galios lygio indikatorius išsijungs.

PASTABA: Norėdami pakeisti šildomos striukės / liemenės / antklodės šildymo lygį, paspauskite ant šildomos striukės / liemenės / antklodės esantį mygtuką, kai įjungiate maitinimą.

3. Maitinimo lizdas

Prijunkite laidą nuo striukės / liemenės / antklodės arba adapterio kabelio.

4. Adapterio kabelis, skirtas vėdinamai striukei / liemenei (pasirenkamas priedas)

Naudokite adapterio kabelį, kai naudojate pirmiau išvardytos A grupės gaminius.

5. Adapterio kabelis, skirtas šildomai striukei / liemenei / antklodei (pasirenkamas priedas)

Naudokite adapterio kabelį, kai naudojate pirmiau išvardytos A grupės gaminius.

6. Maitinimo laidas, skirtas striukei / liemenei / antklodei

Pirmiau išvardytiems A grupės gaminiams prijunkite tinkamą adapterio kabelį vėdinamai striukei / liemenei arba šildomai striukei / liemenei / antklodei.

Pirmiau išvardytiems B grupės gaminiams prijunkite prie akumuliatoriaus laikiklio maitinimo lizdo.

PASTABA: Lizdo forma ir vieta skiriasi priklausomai nuo jūsų striukės / liemenės / antklodės.

7. Akumuliatoriaus kasetė (pasirenkamas priedas)

Akumuliatoriaus kasetę įkiškite iki galo į laikiklį, kol ji spragtelės užsifiksuos.

VEIKIMO APRAŠYMAS

Akumuliatoriaus kasetės įdėjimas ir išėmimas

▲ PERSPĖJIMAS: Įdėdami arba išimdami akumuliatoriaus kasetę, tvirtai laikykite akumuliatoriaus laikiklį ir kasetę laikysite netvirtai, jie gali išslėsti jums iš rankų, todėl akumuliatoriaus laikiklis ir kasetė gali būti sugadinti, o jūs galite susižeisti.

▲ PERSPĖJIMAS: Prieš išimdami akumuliatoriaus kasetę, visada išjunkite prietaisą.

► **Pav.2:** 1. Raudonas indikatorius 2. Mygtukas 3. Akumuliatoriaus kasetė 4. Akumuliatoriaus laikiklis

Jei norite įdėti akumuliatoriaus kasetę, sulygiuokite liežuvėlį ant akumuliatoriaus kasetės su grioveliu korpuse ir įstumkite į jai skirtą vietą. Akumuliatoriaus kasetę įkiškite iki galo, kol ji spragtelės užsifiksuos. Jeigu matote raudoną indikatorių viršutinėje mygtuko pusėje, ji nėra visiškai užfiksuota.

Jei norite išimti akumuliatoriaus kasetę, ištraukite ją iš akumuliatoriaus laikiklio, spausdami mygtuką, esantį kasetės priekyje.

▲ PERSPĖJIMAS: Akumuliatoriaus kasetę visada įkiškite iki galo, kol nebematysite raudono indikatoriaus. Priešingu atveju akumuliatoriaus kasetė gali atsitiktinai iškristi iš akumuliatoriaus laikiklio ir sužeisti jus arba aplinkinius.

▲ PERSPĖJIMAS: Nekiškite akumuliatoriaus kasetės jėga. Jeigu akumuliatoriaus kasetė sunkiai lenda, ją kišate netinkamai.

Akumulatoriaus laikiklio tvirtinimas

Galite prikabinti akumulatoriaus laikiklį prie savo juosmens diržo.

Kad akumulatoriaus laikiklis netyčia nenukristų, tvirtai priiškite dirželį per dirželio skylutę.

► **Pav.3:** 1. Dirželio skylutė

Akumulatoriaus laikiklis turi apsaugos nuo nukritimo funkciją. Kai norite nuimti akumulatoriaus laikiklį nuo diržo, traukite akumulatoriaus laikiklį aukštyn, spausdami atfiksavimo mygtuką.

► **Pav.4:** 1. Atfiksavimo mygtukas

USB prietaisų prijungimas

▲ PERSPĖJIMAS: Prijunkite tik tuos prietaisus, kurie yra suderinami su USB maitinimo prievadu. Kitaip akumulatoriaus laikiklis gali sugesti.

PASTABA: Prieš prijungdami USB prietaisą prie akumulatoriaus laikiklio (su akumulatoriumi), visada padarykite atsarginę USB prietaise esančių duomenų kopiją. Kitaip galite prarasti duomenis.

PASTABA: Akumulatoriaus laikiklis gali netiekti elektros kai kuriems USB prietaisams.

PASTABA: Kai nenaudojate arba įkrovę, ištraukite USB laidą ir uždarykite dangtelį.

Akumulatoriaus laikiklis (su akumulatoriaus kasete) gali veikti kaip išorinis maitinimo šaltinis USB prietaisams.

Atidarykite dangtelį ir prijunkite USB laidą (nepriedamas) prie akumulatoriaus laikiklio USB prievado. Prijunkite kitą laido galą prie prietaiso. Norėdami pradėti krauti, paspaudę palaikykite maitinimo mygtuką, kol įsižiebs galios lygio indikatorius. Norėdami baigti įkrovimą, paspaudę palaikykite maitinimo mygtuką, kol galios lygio indikatorius išsijungs.

► **Pav.5:** 1. Dangtelis 2. USB anga

PASTABA: Faktinė išėjimo srovė skiriasi priklausomai nuo prijungto USB įrenginio.

PASTABA: Kai maitinimo mygtukas įjungtas, naudojama akumulatoriaus galia. Visada išjunkite jungiklį, kai nenaudojate.

PASTABA: Kai iš eilės kraunate kelis USB įrenginius, įkrovę vieną įrenginį palaukite maždaug 10 sekundžių, tada galite krauti kitą.

TECHNINĖ PRIEŽIŪRA

PASTABA: Niekada nenaudokite gazolino, benzino, tirpiklio, spirito arba panašių medžiagų. Gali atsirasti išblukimų, deformacijų arba įtrūkimų.

PASTABA: Neplaukite akumulatoriaus laikiklio vandeniu.

- Nušluostykite nuo korpuso nešvarumus, dulkes, alyvą, tepalą ir pan. švaria, sausa šluoste arba muiluotu vandeniu suvilgyta ir gerai išgręžta šluoste.
- Laikykite prietaisą vietoje, kur nebūtų labai karšta, šalta ar drėgna.

Kad gaminys būtų SAUGUS ir PATIKIMAS, jį taisyti, apžiūrėti ar vykdyti bet kokią kitą priežiūrą ar derinimą turi įgaliotasis kompanijos „Makita“ techninės priežiūros centras; reikia naudoti tik kompanijos „Makita“ pagamintą atsarginę dalis.

TEHNILISED ANDMED

Mudel	TD0000111 Akuhoidik LXT-akukasitle	TD0000110 Akuhoidik CXT-akukasitle
Nimipinge	Alalisvool 14,4 V Alalisvool 18 V	Alalisvool 10,8 V – 12 V max
Akukasit	BL1415N / BL1430B / BL1440 / BL1460B BL1815N / BL1820B / BL1830 / BL1830B / BL1840B / BL1850B / BL1860B	BL1016 / BL1021B / BL1041B
USB-toiteport	Alalisvool 5 V, 2,4 A, tüüp A	
Mõõtmed (P × L × K)	100 mm × 78 mm × 39 mm	88 mm × 61 mm × 33 mm
Netokaal	0,14 kg	0,09 kg

- Mõned eespool loetletud akukasitid ei pruugi olla teie riigis saadaval.

⚠ HOIATUS: Kasutage ainult ülalpool loetletud akukasitete. Muude akukasitete kasutamine võib tekitada vigastusi ja/või tulekahju.

Sümbolid

Toote jaoks kasutatakse mõnda järgmistest sümbolitest. Veenduge, et oleksite enne seadme kasutamist nende tähendusest aru saanud.



Lugege juhendit.



Ni-MH
Li-ion

Ainult EL-i riikide puhul
Seadmes sisalduvate ohtlike osade tõttu võivad elektri- ja elektroonikaseadmete jäätmel, akud ja patareid avaldada negatiivset mõju keskkonnale ja inimeste tervisele.
Elektri- ja elektroonikaseadmeid ega akusid ei tohi kõrvaldada koos olmejäätmetega!
Euroopa elektri- ja elektroonikaseadmete jäätmel, akude ja patareide jäätmel koguda eraldi ning viia eraldiseisvasse olmejäätmete kogumispunkti, mis tegutseb kooskõlas keskkonnakaitse eeskirjadega. Sellele osutab seadmele paigaldatud läbikriipsutatud ratastega prügikasti sümbol.

OHUTUSHOIATUSED

⚠ HOIATUS: Enne kasutamist lugege selle Makita toote kasutusjuhendit, mida katvate selle seadmega kasutada.

⚠ HOIATUS: Kasutage seadet ainult Makita heakskiidetud toodetega. Seadme kasutamine selleks mitte ette nähtud toodetega võib põhjustada süttimist, ülekuumenemist, plahvatamist või elektrolüüdi lekkimist.

Elektriohutus

- Ärge käsitage juhet ega akut märgade ega rasvaste kätega.
- Ärge kasutage kahjustatud USB-juhet.
- Ärge väärkasutage juhet. Ärge kasutage juhet kandmiseks, tõmbamiseks ega pistikupesast väljatõmbamiseks. Hoidke juhe eemal kuumusest, õlist ja teravatest servadest.
- Ärge jätke ühtegi juhet lahatatuks, kui akutoide on sisse lülitatud. Väikesed lapsed võivad pingestatud pistiku endale suhu panna ja vigastada saada.
- Ärge sisestage USB-toiteporti naelu, traate ega muid esemeid. See võib tekitada lühise, mis võib põhjustada suitsu või põlengu.
- Ärge ühendage toiteallikat USB-porti. USB-port on ette nähtud ainult madalama pingega seadmete laadimiseks. Katke USB-port alati kattega, kui te ei laadi parasjagu madalama pingega seadet, sest muidu esineb süttimise oht.
- Kasutage laadimiseks ainult tootja heaks kiidetud laadijat. Üht tüüpi akuga kasutamiseks sobiv laadija võib mõnda teist tüüpi akuga kasutamisel tuua kaasa süttimisohtu.
- Kasutage seadmeid üksnes spetsiaalselt neile toodetud akudega. Muude akude kasutamine võib tekitada tervisekahjustusi või tulekahju.
- Kui akut ei kasutata, ärge hoidke seda koos muude metallsemetega, nagu kirjaklambrid, mündid, võtmed, naelad, kruvid jm väikesed metallsemed, mis võivad tekitada ühenduse klemmide vahel. Akuklemmide lühis võib põhjustada põletusi ja tulekahjuohtu.
- Väärkasutamise tagajärjel võib akust valguda välja vedelikku; ärge seda puudutage. Kui olete selle vedelikuga siiski kogemata kokku puutunud, uhtke kohta veega. Kui vedelik on sattunud silma, minge arsti juurde. Akust väljavalgunud vedelik võib põhjustada ärritust ja põletusi.

11. **Ärge kasutage akut ega akuga kasutatavat seadet, kui need on kahjustatud või muudetud.** Kahjustatud või muudetud aku või seade võib käituda etteaimamatult, põhjustades süttimise-, plahvatus- või vigastusohu.
12. **Kaitske akupaketti tule ja kõrge temperatuuri eest.** Tule või kõrgema kui 130 °C temperatuuriga kokkupuutumine võib tuua kaasa plahvatuse.
13. **Pidage kinni kõigist laadimisjuhustest ja ärge laadige akupaketti väljaspool juhendis märgitud temperatuurivahemikku.** Valesi või väljaspool märgitud temperatuurivahemikku laadimine võib kahjustada akupaketti ja suurendada süttimisohtu.
14. **Laske hooldada kvalifitseeritud remondimehel, kes kasutab vaid identseid asenduososi.** Tänu sellele on tagatud toote ohutus.
15. **Ärge muutke ega proovige parandada seadet või akukomplekti muul viisil, kui kasutus- ja hooldusjuhendis osutatud.**
10. **Sisalduvatele liitium-ioonakudele võivad kohalduda ohtlike kaupade õigusaktide nõuded.** Kaubanduslikul transportimisel, näiteks kolmandate poolte või transpordiettevõtete poolt, tuleb järgida pakendil ja sihtidel toodud erinõudeid. Transportimiseks ettevalmistamisel on vajalik pidada nõu ohtliku materjali ekspordiga. Samuti tuleb järgida võimalike riiklike regulatsioonide üksikasjalikumaid nõudeid. Katke teibiga või varjake avatud kontaktid ja pakendage aku selliselt, et see ei saaks pakendis liukuda.

Akukassetiga seotud olulised ohutusjuhised

1. Enne akukasseti kasutamist lugege (1) akulaadija, (2) akul ja (3) seadmel olevad juhtnõuad ja hoiatused läbi.
2. Ärge võtke akukasseti lahti ega muutke seda. See võib põhjustada tulekahju, liigset kuumust või plahvatuse.
3. Kui tööaeg järsult lüheneb, siis lõpetage kohe kasutamine. Edasise kasutamise tulemuseks võib olla ülekuumenemisoht, võimalikud põletused või isegi plahvatus.
4. Kui elektrolüüti satub silma, siis loputage silma puhta veega ja pöörduge koheselt arsti poole. Selline õnnetus võib põhjustada pimedaksjäämist.
5. Ärge tekitage akukassetis lühist:
 - (1) Ärge puutuge klemme elektrijuhtidega.
 - (2) Ärge hoidke akukasseti tööriistakastis koos metallsemetega, nagu naelad, mündid jne.
 - (3) Ärge tehke akukasseti märjaks ega jätke seda vihma kätte.
6. Ärge hoidke ega kasutage tööriista ja akukasseti kohtades, kus temperatuur võib tõusta üle 50 °C (122 °F).
7. Ärge põletage akukasseti isegi siis, kui see on saanud tõsiselt vigastada või on täiesti kulu- nud. Akukasseti võib tules plahvatada.
8. Ärge naelutage, löigake, muljuge, visake akukasseti ega laske sel kukkuda, samuti ärge lööge selle pihta kõva esemega. Selline tegevus võib põhjustada tulekahju, liigset kuumust või plahvatuse.
9. Ärge kasutage kahjustatud akut.
11. **Kasutuskõlbmatuks muutunud akukasseti kõrvaldamiseks eemaldage see tööriistast ja viige selleks ette nähtud kohta.** Järgige kasutuskõlbmatuks muutunud aku kõrvaldamisel kohalikke eeskirju.
12. **Kasutage akusid ainult Makita heaks kiidetud toodetega.** Akude paigaldamine selleks mitte ettenähtud toodetele võib põhjustada süttimist, ülemäärast kuumust, plahvatamist või elektrolüüdi lekkimist.
13. **Kui tööriista ei kasutata pika ajaperioodi jooksul, tuleb aku tööriistast eemaldada.**
14. **Kasutamise ajal ja pärast kasutamist võib akukassetit kuumeneda, mis võib põhjustada põletusi või madala temperatuuri põletusi.** Olge kuuma akukasseti kandmisel ettevaatlik.
15. **Ärge puudutage tööriista klemmi kohe pärast kasutamist, sest see võib olla kuum ja põhjustada põletusi.**
16. **Hoidke akukasseti klemmid, avad ja sooned tükikestest, tolmust ja mullast puhtad.** Muidu võib tööriist või akukassetit halvasti töötada või puruneda.
17. **Kui tööriist ei kannata kasutamist kõrgepingeliinide lähedal, ärge kasutage akukasseti kõrgepingeliinide lähedal.** Muidu võib tööriist või akukassetit puruneda või sellel tõrge tekkida.
18. **Hoidke akut lastele kättesaamatult.**

HOIDKE JUHEND ALLES.

⚠ETTEVAATUST: Kasutage ainult Makita originaalakusid. Mitte Makita originaalakude või muudetud akude kasutamine võib põhjustada akude süttimise, kehavigastuse ja kahjustuse. Samuti muudab see kethtetuks Makita tööriista ja laadija Makita garantii.

Vihjeid aku maksimaalse kasutusaja tagamise kohta

1. Laadige akukasseti enne selle täielikku tühjenemist. Kui märkate, et tööriist töötab väiksema võimsusega, peatage töö ja laadige akukasseti.
2. Ärge laadige täielikult laetud akukasseti. Ülelaadimine lühendab akude kasutusiga.
3. Laadige akukasseti toatemperatuuril 10 °C - 40 °C. Enne laadimist laske kuumenenud akukassetil maha jahtuda.
4. Kui te ei kasuta parajasti akukasseti, eemaldage see tööriistast või laadurist.

5. **Kui te ei kasuta akukasseti kauem kui kuus kuud, laadige see.**

MÄRKUS: Pistikupesa kuju ja asukoht on erinevad olenevalt teie jakist/vestist/tekist.

OSADE KIRJELDUS

Seda hoidikut võib kasutada järgmise Makita ventiliteeritava jope/vesti ning soojendusega jope/vesti/teki jaoks.

► Joon.1

Grupp	Mudel
A	Ventiliteeritav jope/vest: DFV210, DFJ206, DFJ207, DFJ210, DFJ211, DFJ212, DFJ213, DFJ214, DFJ216, DFJ304, DFJ305, DFJ310, DFJ311, DFJ405, DFJ407, DFJ410, DFJ411, DFJ416 Soojendusega jope/vest/tekk: CV102D, DCV202, CJ105D, CJ106D, DCJ205, DCJ206, CB100D, DCB200
B	Ventiliteeritav jope/vest: DFJ212A, DFJ213A, DFJ214A, DFJ216A, DFJ312A, DFJ416A, DFV210A, DFV214A

1. Võimsustaseme indikaator

Ventiliteeritava jaki/vesti kasutamisel kuvatakse võimsustase.

MÄRKUS: Kui kasutate eespool nimetatud A-grupi ventiliteeritavaid jopesid/veste, ei sütti võimsustaseme indikaator 4, sest nende ventilatoritel on 3-sammuline juhtimine.

MÄRKUS: Kui kasutate soojendusega jopet/vesti/tekk, süttib ainult võimsustaseme indikaator 4.

2. Toitenupp

Sisselülitamiseks sisestage akukassett ning seejärel vajutage ja hoidke all toitenuppu, kuni võimsustaseme indikaator süttib.

Ventiliteeritava jope/vesti võimsustaseme muutmiseks vajutage korraks toitenuppu, kui toide on sisse lülitatud. Väljalülitamiseks vajutage ja hoidke all toitenuppu, kuni võimsustaseme indikaator välja lülitub.

MÄRKUS: Soojendusega jope/vesti/teki soojuste muutmiseks vajutage soojendusega jope/vestil/tekil nuppu sellal, kui see on sisse lülitatud.

3. Pistikupesa

Ühendage jope/vesti/teki või adapteri juhe.

4. Ventiliteeritava jope/vesti adapteri juhe (valikuline lisatarvik)

Kasutage adapteri juhet, kui kasutate eespool loetletud A-grupi tooteid.

5. Soojendusega jope/vesti/teki adapteri juhe (valikuline lisatarvik)

Kasutage adapteri juhet, kui kasutate eespool loetletud A-grupi tooteid.

6. Jope/vesti/teki toitejuhe

Eespool loetletud A-grupi toodete puhul ühendage sobiv ventiliteeritava jaki/vesti või soojendusega jaki/vesti/teki adapteri juhe.

Eespool loetletud B-grupi toodete puhul ühendage akuhoidiku pistikupesa.

7. Akukassett (valikuline lisatarvik)

Sisestage akukassett lõpuni hoidikusse, et see lukustuks klõpsatusega oma kohale.

FUNKTSIONAALNE KIRJELDUS

Akukasseti paigaldamine ja eemaldamine

⚠ETTEVAATUST: Akukasseti paigaldamisel või eemaldamisel tuleb akuhoidikut ja akukassetti kindlalt paigal hoida. Kui akuhoidikut ja akukassetti ei hoita kindlalt paigal, võivad need käest libiseda ning kahjustada akuhoidikut ja akukassetti ja/või põhjustada kehavigastusi.

⚠ETTEVAATUST: Lülitage seade alati enne akukasseti eemaldamist välja.

- **Joon.2:** 1. Punane näidik 2. Nupp 3. Akukassett 4. Akuhoidik

Akukasseti paigaldamiseks joondage akukasseti keel korpuse soonega ja libistage kassett oma kohale. Lükake akukassett lõpuni sisse, et see lukustuks klõpsatusega oma kohale. Kui näete nupu ülaosas punast näidikut, pole see täielikult lukustunud.

Akukasseti eemaldamiseks lükake seda akuhoidiku küljest lahti, vajutades samal ajal kasseti esiküljel olevat nuppu.

⚠ETTEVAATUST: Paigaldage akukassett alati täies ulatuses nii, et punane näidik poleks nähtaval, sest muidu võib akukassett akuhoidikust kogemata välja kukkuda ning vigastada teid või läheduses viibivaid isikuid.

⚠ETTEVAATUST: Ärge paigaldage akukasseti jõuga. Kui akukassett ei lähe kergesti sisse, ei sisestata seda õigesti.

Akuhoidiku kinnitamine

Saate riputada akuhoidiku oma vöörihmale. Et vältida akuhoidiku juhuslikku mahakukkumist, kinnitage rihmaaugu abil rihm ja kinnitage see.

- **Joon.3:** 1. Rihmaauk

Akuhoidikul on kukkumisvastane funktsioon. Kui eemaldate akuhoidikut võölt, tõmmake akuhoidikut üles, vajutades samal ajal lukust avamise nuppu.

- **Joon.4:** 1. Lukust avamise nupp

USB-seadmete ühendamine

⚠ ETTEVAATUST: Ühendage ainult seadmeid, mis ühilduvad USB-toitepordiga. Selle juhise järgimata jätmine võib tekitada akuhoidikus talitlushäireid.

TÄHELEPANU: Enne USB-seadme ühendamist akuhoidiku (koos akuga) külge varundage alati USB-seadmel olevad andmed. Selle juhise järgimata jätmise korral võivad andmed kaotsi minna.

TÄHELEPANU: Akuhoidik ei pruugi kõigile USB-seadmetele toidet anda.

TÄHELEPANU: Kui te seda ei kasuta või olete laadimise lõpetanud, eemaldage USB-juhe ja sulgege kate.

Akuhoidikut (koos akukassetiga) saab kasutada USB-seadmete välise toiteallikana.

Avage kate ja ühendage USB-juhe (pole komplektis) akuhoidiku USB-porti. Seejärel ühendage juhtme teine ots seadmega. Laadimise alustamiseks vajutage ja hoidke all toitenuppu, kuni süttib võimsustaseme indikaator. Laadimise peatamiseks vajutage ja hoidke all toitenuppu, kuni võimsustaseme indikaator kustub.

► **Joon.5:** 1. Kate 2. USB-port

MÄRKUS: Tegelik väljundpinge erineb olenevalt ühendatavast USB-seadmest.

MÄRKUS: Kui toitenupp on sisse lülitatud, tarbib see akutoidet. Mittekasutamise ajal lülitage lüliti alati välja.

MÄRKUS: Kui laete järjest mitut USB-seadet, oodake pärast seadme laadimise lõpetamist ligikaudu 10 sekundit, enne kui alustate järgmise seadme laadimist.

HOOLDUS

TÄHELEPANU: Ärge kunagi kasutage bensiini, vedeldit, alkoholi ega muud sarnast. See võib põhjustada luitumist, deformatsiooni või pragunemist.

TÄHELEPANU: Ärge peske akuhoidikut veega.

- Pühkige mustus, tolm, õli, määre jne puhta kuiva lapiga või seebivette kastetud ja välja väänatud lapiga kestalt maha.
- Hoidke seadet kohas, kus pole äärmuslikku kuumust, külma või niiskust.

Toote OHUTUSE ja TÖÖKINDLUSE tagamiseks tuleb vajalikud remonttööd ning muud hooldus- ja reguleerimistööd lasta teha Makita volitatud teeninduskeskustes või tehase teeninduskeskustes. Alati tuleb kasutada Makita varuosi.

DANE TECHNICZNE

Model	TD0000111 Uchwyt akumulatora dla akumulatora LXT	TD0000110 Uchwyt akumulatora dla akumulatora CXT
Napięcie znamionowe	Prąd stały 14,4 V Prąd stały 18 V	Prąd stały 10,8 V–12 V maks.
Akumulator	BL1415N / BL1430B / BL1440 / BL1460B BL1815N / BL1820B / BL1830 / BL1830B / BL1840B / BL1850B / BL1860B	BL1016 / BL1021B / BL1041B
Gniazdo zasilania USB	Prąd stały 5 V, 2,4 A, typ A	
Wymiary (dług. x szer. x wys.)	100 mm x 78 mm x 39 mm	88 mm x 61 mm x 33 mm
Masa netto	0,14 kg	0,09 kg

- Pewne z wymienionych powyżej akumulatorów mogą być niedostępne w regionie zamieszkania użytkownika.

⚠ OSTRZEŻENIE: Należy używać wyłącznie akumulatorów wymienionych powyżej. Używanie innych akumulatorów może stwarzać ryzyko wystąpienia obrażeń ciała lub pożaru.

Symbol

W przypadku tego produktu używane są niektóre z następujących symboli. Przed rozpoczęciem użytkownika należy zapoznać się z ich znaczeniem.



Przeczytać instrukcję obsługi.



Dotyczy tylko państw UE
Z uwagi na obecność w sprzęcie niebezpiecznych składników, zużyty sprzęt elektryczny, elektroniczny, akumulatory oraz baterie mogą powodować negatywny wpływ na środowisko i zdrowie ludzi. Nie wyrzucaj urządzeń elektrycznych, elektronicznych lub akumulatorów wraz z odpadami z gospodarstwa domowego! Zgodnie z Europejską Dyrektywą w sprawie zużytego sprzętu elektrycznego i elektronicznego oraz dotyczącą akumulatorów i baterii oraz zużytych akumulatorów i baterii, a także dostosowaniem ich do prawa krajowego, zużyte urządzenia elektryczne, elektroniczne, baterie i akumulatory, należy składować osobno i przekazywać do punktu selektywnej zbiórki odpadów komunalnych, działającego zgodnie z przepisami dotyczącymi ochrony środowiska. Informuje o tym symbol przekreślonego kołowego kontenera na odpady umieszczony na sprzęcie.

OSTRZEŻENIA DOTYCZĄCE BEZPIECZEŃSTWA

⚠ OSTRZEŻENIE: Przed użyciem należy zapoznać się z instrukcją obsługi produktu firmy Makita, który będzie używany z tym urządzeniem.

⚠ OSTRZEŻENIE: Używać urządzenia tylko z produktami określonymi przez firmę Makita. Używanie urządzenia z niezgodnymi produktami może spowodować pożar, przegrzanie, wybuch lub wyciek elektrolitu.

Bezpieczeństwo elektryczne

1. Nie dotykać przewodu ani akumulatora mokrymi lub tłustymi rękami.
2. Nie używać uszkodzonego przewodu USB.
3. Obchodzić się z przewodem w prawidłowy sposób. Nie używać przewodu do noszenia, ciągnięcia ani odłączania od zasilania. Trzymać przewód z dala od źródeł ciepła, oleju i ostrych krawędzi.
4. Nie zostawiać przewodu odłączonego, kiedy dostarczane jest zasilanie z akumulatora. Małe dzieci mogą włożyć wtyczkę do ust i odnieść obrażenia.
5. Nie wkładać gwoździ, drutów ani innych przedmiotów do gniazda zasilania USB. Może to spowodować zwarcie i doprowadzić do powstania dymu lub pożaru.
6. Nie podłączać źródła zasilania do gniazda USB. Gniazdo USB służy wyłącznie do ładowania urządzeń o niskim napięciu. Zawsze należy zakładać osłonę na gniazdo USB, gdy żadne urządzenie o niskim napięciu nie jest ładowane. W przeciwnym razie istnieje ryzyko wystąpienia pożaru.

7. Akumulator należy ładować wyłącznie przy użyciu określonej przez producenta ładowarki. Ładowarka przeznaczona do jednego typu akumulatora może stwarzać zagrożenie pożarem, gdy będzie używana do ładowania innego akumulatora.
8. Do zasilania urządzenia należy używać tylko specjalnie do tego celu przeznaczonych akumulatorów. Używanie innych akumulatorów może stwarzać ryzyko wystąpienia obrażeń ciała lub pożaru.
9. Gdy akumulator nie jest używany, należy zabezpieczyć go przed kontaktem z metalowymi przedmiotami, typu spinacze, monety, klucze, gwoździe, wkrety lub innymi metalowymi drobiazgami, które mogą powodować zwarcie styków akumulatora. Zwarcie styków akumulatora grozi poparzeniami lub pożarem.
10. W niewłaściwych warunkach eksploatacji może dojść do wycieku elektrolitu z akumulatora. Nie należy go dotykać. W razie przypadkowego kontaktu należy przemyć skażoną skórę wodą. W przypadku dostania się elektrolitu do oczu należy dodatkowo skorzystać z porady lekarza. Elektrolit z akumulatora może powodować podrażnienia lub poparzenia.
11. Nie używać akumulatora ani urządzenia podłączanego do akumulatora, jeśli uległy one uszkodzeniu lub zostały zmodyfikowane. Uszkodzone lub przerobione akumulatory lub urządzenia mogą działać w nieprzewidywalny sposób i spowodować pożar, wybuch lub obrażenia ciała.
12. Nie wystawiać akumulatora na działanie ognia ani nadmiernej temperatury. Narażenie na ogień lub temperaturę wyższą niż 130°C może spowodować wybuch.
13. Przestrzegać wszystkich instrukcji ładowania i nie ładować akumulatora w temperaturze wykraczającej poza zakres określony w instrukcji. Nieprawidłowe ładowanie lub ładowanie w temperaturze wykraczającej poza określony zakres może spowodować uszkodzenie akumulatora oraz wzrost zagrożenia pożarem.
14. Serwisowanie powinno być wykonywane przez wykwalifikowany personel, z użyciem wyłącznie identycznych części zamiennych. Zapewni to zachowanie bezpieczeństwa pracy z produktem.
15. Nie należy modyfikować ani podejmować prób naprawienia urządzenia lub akumulatora w jakikolwiek inny sposób, niż wskazano w instrukcji użytkowania i utrzymywania w dobrym stanie.
3. Jeśli czas działania uległ znacznemu skróceniu, należy natychmiast przerwać pracę. Może bowiem dojść do przegrzania, ewentualnych poparzeń, a nawet eksplozji.
4. W przypadku przedostania się elektrolitu do oczu, przemyć je czystą wodą i niezwłocznie uzyskać pomoc lekarską. Może on bowiem spowodować utratę wzroku.
5. Nie doprowadzać do zwarcia akumulatora:
 - (1) Nie dotykać styków materiałami przewodzącymi prąd.
 - (2) Unikać przechowywania akumulatora w pojemniku z metalowymi przedmiotami, takimi jak gwoździe, monety itp.
 - (3) Chronić akumulator przed deszczem lub wodą.

Zwarcie prowadzi do przepływu prądu elektrycznego o dużym natężeniu i przegrzania akumulatora, co w konsekwencji może grozić poparzeniami a nawet awarią urządzenia.
6. Narzędzia i akumulatora nie wolno przechowywać ani używać w miejscach, w których temperatura osiąga bądź przekracza 50°C (122°F).
7. Akumulatorów nie wolno palić, również tych poważnie uszkodzonych lub całkowicie zużytych. Akumulator może eksplodować w ogniu.
8. Nie należy przecinać ani zgniatać akumulatora, wbijać w niego gwoździ, rzucać nim, upuszczać, ani uderzać akumulatorem o twarde obiekty. Takie działanie może spowodować pożar, przegrzanie lub wybuch.
9. Nie wolno używać uszkodzonego akumulatora.
10. Stanowiące wyposażenie akumulatory litowo-jonowe podlegają przepisom dotyczącym produktów niebezpiecznych. Na potrzeby transportu komercyjnego, np. świadczonego przez firmy trzecie czy spedycyjne, należy przestrzegać specjalnych wymagań w zakresie pakowania i oznaczania etykietami. Przygotowanie produktu do wysyłki wymaga skonsultowania się ze specjalistą ds. materiałów niebezpiecznych. Należy także przestrzegać przepisów krajowych, które mogą być bardziej szczegółowe. Zakleić taśmą lub zaślepić otwarte styki akumulatora oraz zabezpieczyć go, aby nie mógł się przesuwać w opakowaniu.
11. Jeśli zajdzie konieczność utylizacji akumulatora, należy wyjąć go z narzędzia i przekazać w bezpieczne miejsce. Postępować zgodnie z przepisami lokalnymi dotyczącymi utylizacji akumulatorów.
12. Używać akumulatorów tylko z produktami określonymi przez firmę Makita. Zastosowanie akumulatorów w niezgodnych produktach może spowodować pożar, przegrzanie, wybuch lub wyciek elektrolitu.

Ważne zasady bezpieczeństwa dotyczące akumulatora

1. Przed użyciem akumulatora zapoznać się ze wszystkimi instrukcjami i znakami ostrzegawczymi na (1) ładowarce, (2) akumulatorze i (3) produkcie, w którym będzie używany akumulator.
2. Nie rozmawiać ani modyfikować akumulatora. Może to spowodować pożar, przegrzanie lub wybuch.
3. Jeśli narzędzie nie będzie używane przez dłuższy czas, należy wyjąć z niego akumulator.
4. Przed użyciem akumulatora i po jego użyciu akumulator może pozostać nagrany, co może spowodować poparzenia lub poparzenia w niskiej temperaturze. Z gorącym akumulatorem należy obchodzić się ostrożnie.

15. Nie należy dotykać styku narzędzia bezpośrednio po jego użyciu, ponieważ może on być na tyle gorący, że spowoduje oparzenia.
16. Nie należy dopuszczać, aby wióry, kurz lub błoto gromadziły się na stykach, w otworach i rowkach akumulatora. Może to spowodować obniżenie wydajności lub uszkodzenie narzędzia lub akumulatora.
17. Jeśli narzędzie nie jest przeznaczone do użytku w pobliżu linii wysokiego napięcia, nie należy korzystać z akumulatora w ich sąsiedztwie. Może to spowodować nieprawidłowości w działaniu lub uszkodzenie narzędzia lub akumulatora.
18. Przechowywać akumulator w miejscu niedostępnym dla dzieci.

ZACHOWAĆ NINIEJSZE INSTRUKCJE.

⚠ PRZESTROGA: Używać wyłącznie oryginalnych akumulatorów firmy Makita. Używanie nieoryginalnych akumulatorów firm innych niż Makita lub akumulatorów, które zostały zmodyfikowane, może spowodować wybuch akumulatora i pożar, obrażenia ciała oraz zniszczenie mienia. Stanowi to również naruszenie warunków gwarancji firmy Makita dotyczących narzędzia i ładowarki.

Wskazówki dotyczące zachowania maksymalnej trwałości akumulatora

1. Akumulator należy naładować zanim zostanie do końca rozładowany. Po zauważeniu spadku mocy narzędzia należy przerwać pracę i naładować akumulator.
2. Nie wolno ładować powtórnie w pełni naładowanego akumulatora. Przeładowanie akumulatora skraca jego trwałość.
3. Akumulator należy ładować w temperaturze pokojowej w przedziale 10–40°C (50–104°F). W przypadku gorącego akumulatora przed przystąpieniem do ładowania należy poczekać, aż ostygnie.
4. Jeśli akumulator nie jest używany, należy go wyjąć z narzędzia lub ładowarki.
5. Akumulatory niklowo-wodorkowe należy naładować po okresie długiego nieużytkowania (dłuższego niż sześć miesięcy).

OPIS CZĘŚCI

Ten uchwyt może być używany z następującymi kurtkami/kamizelkami wentylowanymi oraz ogrzewanymi kurtkami/kamizelkami/kocami firmy Makita.

► Rys.1

Grupa	Model
A	Wentylowana kurtka/kamizelka: DFV210, DFJ206, DFJ207, DFJ210, DFJ211, DFJ212, DFJ213, DFJ214, DFJ216, DFJ304, DFJ305, DFJ310, DFJ311, DFJ405, DFJ407, DFJ410, DFJ411, DFJ416 Ogrzewana kurtka/kamizelka/ogrzewany koc: CV102D, DCV202, CJ105D, CJ106D, DCJ205, DCJ206, CB100D, DCB200
B	Wentylowana kurtka/kamizelka: DFJ212A, DFJ213A, DFJ214A, DFJ216A, DFJ312A, DFJ416A, DFV210A, DFV214A

1. Wskaźnik poziomu zasilania

Podczas użytkowania kurtki/kamizelki wentylowanej wyświetlany jest poziom zasilania.

WSKAZÓWKA: W przypadku użytkowania kurtki/kamizelek wentylowanych wymienionych powyżej w grupie A wskaźnik poziomu zasilania 4 nie włączy się, ponieważ zamontowane w nich wentylatory są wyposażone w sterowanie 3-stopniowe.

WSKAZÓWKA: W przypadku użytkowania ogrzewanej kurtki/kamizelki/koca ogrzewanego włączy się tylko wskaźnik poziomu zasilania 4.

2. Przycisk zasilania

Aby włączyć, należy włożyć akumulator, a następnie nacisnąć i przytrzymać przycisk zasilania do czasu, aż włączy się wskaźnik poziomu zasilania. Aby zmienić poziom zasilania wentylowanej kurtki/kamizelki, należy nacisnąć przycisk zasilania bardzo krótko, kiedy zasilanie jest włączone. Aby wyłączyć, należy nacisnąć i przytrzymać przycisk zasilania do czasu, aż wskaźnik poziomu zasilania wyłączy się.

WSKAZÓWKA: Aby zmienić ciepło ogrzewanej kurtki/kamizelki/ogrzewanego koca, należy nacisnąć przycisk na ogrzewanej kurtce/kamizelce/ogrzewanym kocu po włączeniu zasilania.

3. Gniazdo zasilania

Należy podłączyć przewód kurtki/kamizelki/koca lub przewód zasilacza.

4. Przewód zasilacza wentylowanej kurtki/kamizelki (wyposażenie dodatkowe)

Przewodu zasilacza należy używać w przypadku produktów wymienionych w grupie A powyżej.

5. Przewód zasilacza ogrzewanej kurtki/kamizelki/ogrzewanego koca (wyposażenie dodatkowe)

Przewodu zasilacza należy używać w przypadku produktów wymienionych w grupie A powyżej.

6. Przewód zasilający kurtki/kamizelki/koca

W przypadku produktów wymienionych w grupie A powyżej należy podłączyć przewód zasilacza odpowiadający dla wentylowanej kurtki/kamizelki lub ogrzewanej kurtki/kamizelki/ogrzewanego koca.

W przypadku produktów wymienionych w grupie B powyżej należy podłączyć do gniazda zasilania w uchwycie akumulatora.

WSKAZÓWKA: Kształt i umiejscowienie gniazda różnią się w zależności od kurtki/kamizelki/koca.

7. Akumulator (wyposażenie dodatkowe)

Wsunąć akumulator do uchwytu do oporu, aż wskoczy na swoje miejsce i słyszalne będzie delikatne kliknięcie.

OPIS DZIAŁANIA

Wkładanie i wyjmowanie akumulatora

⚠ PRZESTROGA: Podczas wkładania i wyjmowania akumulatora należy mocno trzymać uchwyt akumulatora i akumulator. Zbyt słabe trzymanie uchwytu akumulatora i akumulatora może spowodować ich wyslizgnięcie się i uszkodzenie, a nawet odniesienie obrażeń ciała.

⚠ PRZESTROGA: Przed wyjęciem akumulatora należy zawsze wyłączyć urządzenie.

► **Rys.2:** 1. Czerwony wskaźnik 2. Przycisk 3. Akumulator 4. Uchwyt akumulatora

Aby włożyć akumulator, wyrównać występ na akumulatorze z rowkiem w obudowie i wsunąć go na swoje miejsce. Wsunąć akumulator do oporu, aż wskoczy na swoje miejsce i słyszalne będzie delikatne kliknięcie. Jeśli jest widoczny czerwony wskaźnik w górnej części przycisku, akumulator nie został całkowicie zatrzaśnięty.

Aby wyjąć akumulator, wysunąć go z uchwytu, naciskając przycisk znajdujący się w przedniej jego części.

⚠ PRZESTROGA: Akumulator należy włożyć do końca, tak aby czerwony wskaźnik nie był widoczny. W przeciwnym razie akumulator może przypadkowo wypaść z uchwytu, powodując obrażenia operatora lub osób postronnych.

⚠ PRZESTROGA: Nie wkładać akumulatora na siłę. Jeśli akumulator nie daje się swobodnie wsunąć, oznacza to, że został włożony nieprawidłowo.

Mocowanie uchwytu akumulatora

Możliwe jest zawieszenie uchwytu akumulatora na pasku spodni.

Aby zapobiec przypadkowemu upuszczeniu akumulatora, umieścić pasek w otworze i zabezpieczyć go.

► **Rys.3:** 1. Otwór paska

Uchwyt akumulatora jest wyposażony w funkcję zapobiegającą upuszczeniu. Ściągając uchwyt akumulatora z paska, należy pociągnąć za uchwyt, naciskając przycisk odblokowania.

► **Rys.4:** 1. Przycisk odblokowywania

Podłączanie urządzeń USB

⚠ PRZESTROGA: Należy podłączać wyłącznie urządzenia, które są zgodne z gniazdem zasilania USB. W przeciwnym razie może wystąpić usterka uchwytu akumulatora.

UWAGA: Przed podłączeniem urządzenia USB do uchwytu akumulatora (z akumulatorem) zawsze należy wykonać kopię zapasową danych na urządzeniu USB. W przeciwnym razie może dojść do utraty danych.

UWAGA: Uchwyt akumulatora może nie zasilать niektórych urządzeń USB.

UWAGA: Wyjąć przewód USB i zamknąć pokrywę, gdy przewód nie jest używany lub ładowanie zostało zakończone.

Uchwyt akumulatora (z akumulatorem) może działać jako zewnętrzne źródło zasilania urządzeń USB.

Otworzyć pokrywę i podłączyć przewód USB (nie jest dołączony) do portu USB w uchwycie akumulatora. Podłączyć drugi koniec przewodu do urządzenia. Aby rozpocząć ładowanie, należy nacisnąć przycisk zasilania i przytrzymać go do czasu, aż włączy się wskaźnik poziomu zasilania. Aby zakończyć ładowanie, należy nacisnąć przycisk zasilania i przytrzymać go do czasu, aż wskaźnik poziomu zasilania wyłączy się.

► **Rys.5:** 1. Pokrywa 2. Port USB

WSKAZÓWKA: Rzeczywisty prąd wyjściowy różni się w zależności od urządzenia USB, które jest podłączane.

WSKAZÓWKA: Moc akumulatora jest zużywana zawsze, gdy przycisk zasilania jest włączony. Zawsze należy wyłączać przełącznik, kiedy akumulator nie jest używany.

WSKAZÓWKA: W przypadku ładowania kolejno kilku urządzeń USB, należy po zakończeniu ładowania każdego urządzenia, a przed rozpoczęciem ładowania następnego, odczekać około 10 sekund.

KONSERWACJA

UWAGA: Nie stosować benzyny, benzyny ekstrakcyjnej, rozpuszczalników, alkoholu ani podobnych środków. Mogą one powodować odbarwienia, odkształcenia lub pęknięcia.

UWAGA: Uchwytu akumulatora nie wolno myć wodą.

- Należy wytrzeć zanieczyszczenia, kurz, olej, smar itp. z obudowy za pomocą czystej, suchej ściereczki lub ściereczki namoczonej w wodzie z mydłem i mocno wyżętej.
- Urządzenie należy przechowywać w miejscu, w którym nie będzie narażone na bardzo wysokie lub bardzo niskie temperatury ani nadmierną wilgotność.

W celu zachowania odpowiedniego poziomu BEZPIECZEŃSTWA i NIEZAWODNOŚCI produktu wszelkie naprawy i różnego rodzaju prace konserwacyjne lub regulacje powinny być przeprowadzane przez autoryzowany lub fabryczny punkt serwisowy narzędzi Makita, zawsze z użyciem oryginalnych części zamiennych Makita.

RÉSZLETES LEÍRÁS

Típus	TD00000111 Akumulátortartó az LXT akkumulátor részére	TD00000110 Akumulátortartó a CXT akkumulátor részére
Névleges feszültség	14,4 V, egyenáram 18 V, egyenáram	10,8 V - max. 12 V, egyenáram
Akkumulátor	BL1415N / BL1430B / BL1440 / BL1460B BL1815N / BL1820B / BL1830 / BL1830B / BL1840B / BL1850B / BL1860B	BL1016 / BL1021B / BL1041B
USB tápellátó port	5 V, 2,4 A, egyenáram, A típus	
Méretek (H x Sz x M)	100 mm x 78 mm x 39 mm	88 mm x 61 mm x 33 mm
Nettó tömeg	0,14 kg	0,09 kg

- Lakóhelyétől függően előfordulhat, hogy a fent felsorolt akkumulátorok nem érhetőek el.

▲ FIGYELMEZTETÉS: Csak a fentiekben felsorolt akkumulátorokat használja. Bármilyen más akkumulátor használata sérüléseket és/vagy tüzet okozhat.

Szimbólumok

A következő jelek egy részét használják a termékhez. Használat előtt bizonyosodjon meg arról, hogy helyesen értelmezi a jelentésüket.



Olvassa el a használati utasítást.



Csak EU-tagállamok számára
Mivel a berendezésben veszélyes alkatrészek vannak, az elektromos és elektronikus berendezések, akkumulátorok és elemek hulladékai negatív hatással lehetnek a környezetre és az emberi egészségre. Az elektromos és elektronikus készülékeket vagy akkumulátorokat ne dobja a háztartási szemétkébe!

Az elektromos és elektronikus berendezések hulladékairól és az akkumulátorokról és elemekről, valamint az akkumulátorok és elemek hulladékáról szóló európai irányelvek, valamint a nemzeti jogszabályokhoz történő adaptálásának megfelelően a használt elektromos berendezéseket, elemeket és akkumulátorokat külön kell tárolni, és a települési hulladék elkülönített gyűjtőhelyére kell szállítani a környezetvédelmi előírásoknak megfelelően. Ezt jelzi a berendezésen elhelyezett áthúzott kerek kuka szimbólum.

BIZTONSÁGI FIGYELMEZTETÉS

▲ FIGYELMEZTETÉS: Használat előtt gondoskodjon róla, hogy elolvassa a készülékkel használni kívánt Makita termék használati kézikönyvét.

▲ FIGYELMEZTETÉS: A készüléket kizárólag a Makita által megjelölt termékekhez használja. Ha a készüléket azzal nem kompatibilis termékekkel használja, az tűzhöz, túlmelegedéshez, robbanás-hoz vagy elektrolitszivárgáshoz vezethet.

Elektromos biztonság

- Ne fogja meg a kábelt vagy az akkumulátort nedves vagy zsíros kézzel.**
- Ne használjon sérült USB-kábelt.**
- Ne rongálja meg a kábelt. Ne használja a kábelt hordozáshoz, vontatáshoz vagy a csatlakozóból való kihúzáshoz. Tartsa távol a kábelt a hőtől, az olajtól és az éles felületektől.**
- Ha az akkumulátorból áram folyik a kábelbe, ne hagyja azt szétcsatlakoztatva. A kisgyerekek a szájukba vehetik az áram alatt lévő dugót, ami személyi sérüléseket okozhat.**
- Ne dugjon szögeket, drótokat vagy egyéb tárgyakat az USB tápellátó portba. Ha így tesz, azzal rövidzárlatot okozhat, ami füstöt vagy tüzet eredményezhet.**
- Ne csatlakoztassa az áramforrást az USB-porthoz. Az USB-port csak alacsonyabb feszültségű készülékek töltésére alkalmas. Ha éppen nem egy alacsonyabb feszültségű készüléket tölt, tegye fel a fedelet az USB-portra. Ha nem így tesz, az tűzveszélyes lehet.**
- Az akkumulátort csak a gyártó által meghatározott töltővel töltsse. Egy adott típusú akkumulátorhoz használható töltő más akkumulátorral való használata tüzet okozhat.**

8. **A készülékeket kizárólag a meghatározott akkumulátorokkal használja.** Egyéb akkumulátorok használata sérülést vagy tüzet okozhat.
9. **Amikor az akkumulátort nem használja, tartsa távol a többi fémtárgytól, például iratkapcsoktól, érméktől, kulcsoktól, szögektől, csavaroktól vagy egyéb olyan apró fémtárgyaktól, amelyek összekötését hozhatnak létre a pólusok között.** Az akkumulátor pólusainak rövidre zárása égési sérüléseket vagy tüzet okozhat.
10. **Helytelen működtetés esetén az akkumulátorból folyadék kerülhet ki; kerülje az ezzel való érintkezést. Ha véletlenül mégis érintkezésbe kerülne a folyadékkal, mossa le azt vízzel. Ha a folyadék szemébe jut, azonnal forduljon orvoshoz segítségért.** Az akkumulátorból származó folyadék irritációt és égéseket okozhat.
11. **Nem használja az akkumulátort, illetve az akkumulátorral használandó készüléket, ha sérült vagy módosították.** A sérült vagy módosított akkumulátor vagy készülék váratlan módon viselkedhet, melynek következtében tüzet, robbanást vagy sérülést okozhat.
12. **Ne tegye ki az akkumulátort nyílt lángnak vagy túlzott hőhatásnak.** A tűz hatása és a 130 °C feletti hőmérséklet robbanást okozhat.
13. **A töltésre vonatkozó minden utasítást tartson be, ne töltse az akkumulátort az utasításokban megadott hőmérséklettartományon kívül.** A nem megfelelő módú és nem megfelelő hőmérsékleten történő töltés az akkumulátor károsodásával járhat, valamint tüzet okozhat.
14. **A szervizelést bizza eredeti pótalkatrészeket használó képzett javítószemélyzetre.** Ezzel biztosítja, hogy a készülék biztonsága fennmaradjon.
15. **Ne módosítsa vagy próbálja megjavítani a készüléket vagy az akkumulátort, kivéve a használati és karbantartási utasításban feltüntetett eseteket.**

Fontos biztonsági utasítások az akkumulátorra vonatkozóan

1. **Az akkumulátor használata előtt tanulmányozza át az akkumulátortöltőt (1) és az akkumulátoron (2) és az akkumulátorral működtetett terméken (3) olvasható összes utasítást és figyelemztető jelzést.**
 2. **Ne szerelje szét, és ne módosítsa az akkumulátort.** Tüzet, túlzott hőt vagy robbanást okozhat.
 3. **Ha a működési idő nagyon lerövidült, azonnal hagyja abba a használatot. Ez a túlmelegedés, esetleges égések és akár robbanás veszélyével is járhat.**
 4. **Ha elektrolit kerül a szemébe, mossa ki azt tiszta vízzel és azonnal kérjen orvosi segítséget. Ez a látásának elvesztését okozhatja.**
 5. **Ne zárja rövidre az akkumulátort:**
 - (1) **Ne érjen az érintkezőkhöz elektromosan vezető anyagokkal.**
 - (2) **Ne tárolja az akkumulátort más fémtárgyakkal, mint pl. szegekkel, érmékkel, stb. egy helyen.**
 - (3) **Ne tegye ki az akkumulátort víznek vagy esőnek.**
- Az akkumulátor rövidzárlata nagy áramerősséget, túlmelegedést, égéseket, sőt akár meghibásodást is okozhat.**
6. **Ne tárolja és használja a szerszámot vagy az akkumulátort olyan helyen, ahol a hőmérséklet elérheti vagy meghaladhatja az 50 °C-t (122 °F).**
 7. **Ne égesse el az akkumulátort még akkor sem, ha az komolyan megsérült vagy teljesen elhasználódott. Az akkumulátor a tűzben felrobbanhat.**
 8. **Ne szúrja meg, ne vágja meg, ne törje össze, ne dobja el és ne ejtse le az akkumulátort, illetve ne üsse hozzá kemény tárgyhoz. Az ilyen magartás tüzet, túlzott hőt vagy robbanást okozhat.**
 9. **Ne használjon sérült akkumulátort.**
 10. **A készülékben található lítium-ion akkumulátorokra a veszélyes árukkal kapcsolatos előírások vonatkoznak.**

A termék pl. harmadik felek, fuvarozó cégek stb. által történő szállítása esetén minden esetben tartsa szem előtt a csomagoláson és a címkén található speciális követelményeket.

A termék szállításra történő felkészítése esetén vegye fel a kapcsolatot egy veszélyes anyagokkal foglalkozó szakemberrel. Kérjük, hogy az esetlegesen szigorúbb nemzeti előírásokat is vegye figyelembe.

Ragassza le a kiálló érintkezőket, illetve oly módon csomagolja be az akkumulátort, hogy az ne tudjon elmozdulni a csomagolásban.
 11. **Az akkumulátor ártalmatlanításakor vegye ki azt a szerszámból, és ártalmatlanítsa egy biztonságos helyen. Az akkumulátor ártalmatlanításakor tartsa be a helyi előírásokat.**
 12. **Az akkumulátorokat csak a Makita által megjelölt termékekhez használja.** Ha az akkumulátorokat azokkal nem kompatibilis termékekbe helyezi, az tűzhez, túlmelegedéshez, robbanáshoz vagy elektrolitszivárgáshoz vezethet.
 13. **Ha a szerszám hosszabb ideig nincs használatban, az akkumulátort ki kell venni a szerszámból.**
 14. **Használat közben és után az akkumulátor felforrósodhat, ami égési sérülést vagy alacsony hőmérsékletű égési sérülést okozhat. Figyeljen oda a forró akkumulátor kezelésére.**
 15. **Ne érintse meg közvetlenül a szerszám érintkezőjét, mert elég forró lehet ahhoz, hogy égési sérüléseket okozzon.**
 16. **Ne engedje, hogy forgács, por vagy sár tapadjon az akkumulátor érintkezőire, lyukaiba és hornyáiba. Az a szerszám vagy az akkumulátor gyenge teljesítményét vagy meghibásodását okozhatja.**
 17. **Hacsak a szerszám nem támogatja a nagyfeszültségű elektromos vezetékek közelében történő használatot, ne használja az akkumulátort nagyfeszültségű elektromos vezetékek közelében. Az a szerszám vagy az akkumulátor hibás működését vagy meghibásodását okozhatja.**
 18. **Tartsa távol a gyerekektől az akkumulátort.**

ŐRIZZE MEG EZEKET AZ UTASÍTÁSOKAT.

⚠ VIGYÁZAT: Csak eredeti Makita akkumulátorokat használjon. A nem eredeti Makita akkumulátorok vagy módosított akkumulátorok használata esetén az akkumulátor felrobbanhat, ami tüzet, személyi sérülést és anyagi kárt okozhat. A Makita szerszámmra és töltőre vonatkozó Makita garanciát is érvénytelenítheti.

Tippek az akkumulátor maximális élettartamának eléréséhez

1. Töltse fel az akkumulátort, mielőtt teljesen lemerülne. Állítsa le a gépet, és töltse fel az akkumulátort, ha a gép erejének csökkenését észleli.
2. Soha ne töltse újra a teljesen feltöltött akkumulátort. A túltöltés csökkenti az akkumulátor élettartamát.
3. Töltse az akkumulátort szobahőmérsékleten, 10 °C - 40 °C (50 °F - 104 °F) között. Töltés előtt hagyja lehűlni a fölforrósodott akkumulátort.
4. Ha nem használja az akkumulátort, vegye ki a szerszámból vagy a töltőből.
5. Töltse fel az akkumulátort, ha hosszabb ideje (több mint hat hónapja) nem használta azt.

ALKATRÉSZEK LEÍRÁSA

A tartót a következő Makita ventilátoros dzseki/mellényel és fűtött dzseki/mellényel/takaróval lehet használni.

► **Ábra1**

Csoport	Típus
A	Ventilátoros dzseki / mellény: DFV210, DFJ206, DFJ207, DFJ210, DFJ211, DFJ212, DFJ213, DFJ214, DFJ216, DFJ304, DFJ305, DFJ310, DFJ311, DFJ405, DFJ407, DFJ410, DFJ411, DFJ416 Fűtött dzseki / mellény / takaró: CV102D, DCV202, CJ105D, CJ106D, DCJ205, DCJ206, CB100D, DCB200
B	Ventilátoros dzseki / mellény: DFJ212A, DFJ213A, DFJ214A, DFJ216A, DFJ312A, DFJ416A, DFV210A, DFV214A

1. Teljesítményszint jelző

Ha ventilátoros dzsekit/mellényt használ, a teljesítményszintet jelzi ki.

MEGJEGYZÉS: Ha a fenti „A” csoportban felsorolt ventilátoros dzsekit/mellényt használ, a 4-es teljesítményszint jelző nem gyullad ki, mert a ventilátoregység 3 szintes vezérlőt használ.

MEGJEGYZÉS: Ha fűtött dzsekit/mellényt/takarót használ, csak a 4-es teljesítményszint jelző gyullad ki.

2. Bekapcsoló gomb

Bekapcsoláshoz helyezze be az akkumulátort, majd tartsa hosszan lenyomva a bekapcsoló gombot, amíg a teljesítményszint jelző ki nem gyullad.

A ventilátoros dzseki/mellény teljesítményszintjének változtatásához nyomja meg röviden a bekapcsoló gombot, amikor a tápellátás be van kapcsolva.

A kikapcsoláshoz tartsa hosszan lenyomva a bekapcsoló gombot, amíg a teljesítményszint kijelző ki nem alszik.

MEGJEGYZÉS: A fűtött dzseki/mellény/takaró hőmérsékletének változtatásához nyomja meg a fűtött dzseki/mellény/takaró gombját, amikor be van kapcsolva.

3. Aljzat

Csatlakoztassa a dzseki/mellény/takaró kábelét vagy az adapterkábelét.

4. Adapterkábel a ventilátoros dzsekihez/mellényhez (opcionális kiegészítő)

Használja az adapterkábelét, ha a fenti „A” csoportban felsorolt termékeket használ.

5. Adapterkábel a fűtött dzsekihez/mellényhez/takaróhoz (opcionális kiegészítő)

Használja az adapterkábelét, ha a fenti „A” csoportban felsorolt termékeket használ.

6. Tápkábel a dzsekihez/mellényhez/takaróhoz

Az „A” csoportban fentebb felsorolt termékekhez csatlakoztassa a megfelelő adapterkábelét a ventilátoros dzsekihez/mellényhez vagy a fűtött dzsekihez/mellényhez/takaróhoz.

A „B” csoportban fentebb felsorolt termékekhez csatlakoztassa az akkumulátortartó aljzatát.

MEGJEGYZÉS: Az aljzat formája és elhelyezkedése a dzseki/mellény/takaró típusától függően változik.

7. Akkumulátorbetét (opcionális tartozék)

Illessze az akkumulátorbetétet a tartóhoz, amíg be nem kattan a helyére egy halk kattanás kíséretében.

A MŰKÖDÉS LEÍRÁSA

Az akkumulátor behelyezése és eltávolítása

⚠ VIGYÁZAT: Az akkumulátor behelyezése vagy eltávolítása során tartsa erősen az akkumulátortartót és az akkumulátort. Ha nem tartja megfelelően az akkumulátortartót és az akkumulátort, azok kicsúszhatnak a kezéből, ami az akkumulátortartó és az akkumulátor károsodásához és/vagy személyi sérüléshez vezethet.

⚠ VIGYÁZAT: Az akkumulátor eltávolítása előtt mindig kapcsolja ki a készüléket.

► **Ábra2:** 1. Piros jel 2. Gomb 3. Akkumulátor 4. Akkumulátortartó

Az akkumulátor beszereléséhez illesse az akkumulátor nyelvért a burkolaton található vátatba, és csúsztassa a helyére. Az akkumulátort egészen addig tolja beljebb, amíg az egy kis kattánással a helyére nem rögzül. Ha látható a piros jel a gomb felső oldalán, akkor nem kattant be teljesen.

Az akkumulátor eltávolításához nyomja be az akkumulátoregység elején található gombot, majd csúsztassa ki az akkumulátortartóból.

⚠ VIGYÁZAT: Mindig tolja be teljesen az akkumulátort, amíg a piros jel el nem tűnik. Ha nem így tesz, az akkumulátor kieshet az akkumulátortartóból, és Önnek vagy egy környezetében tartózkodó személynek sérülést okozhat.

⚠ VIGYÁZAT: Beszereléskor ne erőltesse az akkumulátort. Ha az akkumulátor nem csúszik be könnyedén a helyére, akkor nem megfelelően lett behelyezve.

Az akkumulátortartó csatlakoztatása

Az akkumulátortartót a derékóvőre akaszthatja.

Az akkumulátortartó véletlen leejtésének elkerülése érdekében csatlakoztasson egy szíjat a szíj rögzítésére szolgáló lyukhoz.

► **Ábra3:** 1. Szíj rögzítésére szolgáló lyuk

Az akkumulátortartó leejtést megakadályozó funkcióval rendelkezik. Amikor leveszi az akkumulátortartót az övéről, húzza felfelé az akkumulátortartót, és közben tartsa nyomva a kioldógombot.

► **Ábra4:** 1. Kioldógomb

USB-eszközök csatlakoztatása

⚠ VIGYÁZAT: Csak olyan készülékeket csatlakoztasson, amelyek kompatibilisek az USB tápellátó porttal. Ha nem így tesz, azzal az akkumulátortartó meghibásodását okozhatja.

MEGJEGYZÉS: Mindig készítsen biztonsági másolatot az USB-eszközön található adatokról, mielőtt az akkumulátortartóhoz (akkumulátorral együtt) csatlakoztatja azt. Ha nem így tesz, azzal adatvesztést okozhat.

MEGJEGYZÉS: Előfordulhat, hogy az akkumulátortartó egyes USB-eszközöket nem tud árammal ellátni.

MEGJEGYZÉS: Amikor nem használja az USB-kábelt, vagy befejezte a használatát, távolítsa el azt, majd csukja be a fedelet.

Az akkumulátortartó (akkumulátorral együtt) külső tápegységként működhet az USB-eszközök számára.

Nyissa fel a fedelet, majd csatlakoztasson egy USB-kábelt (külön kapható) az akkumulátortartó USB-portjához. Ezután csatlakoztassa a kábel másik végét csatlakoztassa a készülékhez. A töltés elindításához tartsa hosszan lenyomva a bekapcsoló gombot, amíg a teljesítményszint jelző ki nem gyullad. A töltés leállításához tartsa hosszan lenyomva a bekapcsoló gombot, amíg a teljesítményszint jelző ki nem alszik.

► **Ábra5:** 1. Fedél 2. USB-port

MEGJEGYZÉS: A tényleges kimeneti áram a csatlakoztatni kívánt USB-eszköztől függően változik.

MEGJEGYZÉS: Amikor a bekapcsoló gomb bekapcsolt állásban van, az akkumulátor merül. Mindig állítsa kikapcsolt állásba a kapcsolót, amikor nem használja.

MEGJEGYZÉS: Ha több USB készüléket tölt fel egymást követően, az előző készülék töltésének befejezése után várjon körülbelül 10 másodperct, mielőtt elkezdi tölteni a következő készüléket.

KARBANTARTÁS

MEGJEGYZÉS: Soha ne használjon gázolajt, benzint, hígítót, alkoholt vagy hasonló anyagokat. Ezek elszíneződést, alakvesztést vagy repedést okozhatnak.

MEGJEGYZÉS: Ne mossa az akkumulátortartót vízzel.

- Törölje le a házra került piszkot, port, olajat, zsírt, stb. egy tiszta, száraz kendővel vagy szappanos vízbe mártott és erősen kicsavart kendővel.
- Olyan helyen tartsa a készüléket, ahol nem lesz rendkívül forró, hideg vagy páras.

A termék BIZTONSÁGÁNAK és MEGBÍZHATÓSÁGÁNAK fenntartása érdekében a javításokat és más karbantartásokat vagy beállításokat a Makita hivatalos vagy gyári szervizközpontjában kell elvégezni, mindig csak Makita cserealkatrészeket használva.

TECHNICKÉ ŠPECIFIKÁCIE

Model	TD00000111 Držiak na akumulátor pre akumulátor LXT	TD00000110 Držiak na akumulátor pre akumulátor CXT
Menovité napätie	Jednosmerný prúd 14,4 V Jednosmerný prúd 18 V	Jednosmerný prúd max. 10,8 V – 12 V
Akumulátor	BL1415N / BL1430B / BL1440 / BL1460B BL1815N / BL1820B / BL1830 / BL1830B / BL1840B / BL1850B / BL1860B	BL1016 / BL1021B / BL1041B
Napájací port USB	Jednosmerný prúd 5 V, 2,4 A, typ A	
Rozmery (D x Š x V)	100 mm x 78 mm x 39 mm	88 mm x 61 mm x 33 mm
Čistá hmotnosť	0,14 kg	0,09 kg

- Niektoré vyššie uvedené akumulátory môžu byť nedostupné v závislosti od miesta vášho bydliska.

VAROVANIE: Používajte iba akumulátory zo zoznamu uvedeného vyššie. Používanie akýchkoľvek iných akumulátorov môže spôsobiť zranenie a/alebo požiar.

Symbols

Na výrobku sa používajú niektoré z nasledujúcich symbolov. Je dôležité, aby ste poznali ich význam, skôr než začnete pracovať.



Prečítajte si návod na obsluhu.



Len pre štáty EÚ
Z dôvodu prítomnosti nebezpečných komponentov v zariadení môžu mať odpad z elektrických a elektronických zariadení, použité akumulátory a batérie negatívny vplyv na životné prostredie a ľudské zdravie.

Elektrické a elektronické zariadenia alebo akumulátory nelikvidujte spolu s komunálnym odpadom!

V súlade s európskou smernicou o odpade z elektrických a elektronických zariadení, o akumulátoroch a batériách a odpade z akumulátorov a batérií, ako aj v súlade s prispôbenými vnútroštátnymi právnymi predpismi by sa odpad z elektrických a elektronických zariadení a použité akumulátory a batérie mali uskladiť osobitne a odovzdávať na samostatnom zbernom mieste pre komunálny odpad, ktoré sa prevádzkuje v súlade s predpismi na ochranu životného prostredia. Označuje to symbol preškrtnutej smetnej nádoby na zariadení.

BEZPEČNOSTNÉ VAROVANIA

VAROVANIE: Pred používaním si prečítajte návod na používanie svojho produktu Makita, ktorý budete používať s týmto zariadením.

VAROVANIE: Zariadenie používajte iba s produktmi uvedenými spoločnosťou Makita. Používanie zariadenia s nevyhovujúcimi výrobkami môže spôsobiť požiar, nadmerné teplo, výbuch alebo únik elektrolytov.

Elektrická bezpečnosť

1. S káblom ani akumulátorom nemanipulujte mokrymi ani masťnými rukami.
2. Nepoužívajte poškodený kábel USB.
3. Nenamáhajte napájací kábel. Nepoužívajte napájací kábel na prenášanie, ťahanie ani odpájanie. Zabrňte, aby napájací kábel prišiel do styku s teplom, olejom a ostrými hranami.
4. Počas napájania z akumulátora nenechávajte žiadny kábel odpojený. Hrozí, že si malé deti strčia zástrčku pod napätím do úst a zrania sa.
5. Do napájacieho portu USB nekladajte klince, vodiče ani iné predmety. Mohlo by to spôsobiť skrat a v dôsledku neho zadymenie či požiar.
6. K portu USB nepripájajte napájací zdroj. Port USB slúži len na nabíjanie zariadení využívajúcich nižšie napätie. Pokiaľ nenabíjate zariadenie využívajúce nižšie napätie, port USB vždy zaistite krytom. V opačnom prípade hrozí riziko vzniku požiaru.
7. Nabíjajte iba nabíjačkou určenou výrobcom. Nabíjačka vhodná pre jeden typ akumulátora môže pri inom type akumulátora zapríčiniť vznik požiaru.

8. **Zariadenia používajte iba s určeným typom akumulátora.** Pri použití akýchkoľvek iných akumulátorových jednotiek vzniká riziko poranenia alebo požiaru.
 9. **Keď sa akumulátor práve nepoužíva, skladujte ho mimo iných kovových predmetov ako sponky, mince, kľúče, klince, skrutky alebo iné malé kovové predmety, ktoré by mohli kontakty akumulátora skratovať.** Skratovanie kontaktov akumulátora môže spôsobiť popálenie alebo požiar.
 10. **Pri nevhodných podmienkach môže z akumulátora vytekať tekutina. Nedotýkajte sa jej. Pri náhodnom kontakte ju opláchnite vodou. Ak kvapalina zasiahne oči, vyhľadajte lekársku pomoc.** Kvapalina, ktorá vytekla z akumulátora, môže spôsobiť podráždenie alebo popálenie.
 11. **Ak je akumulátor alebo zariadenie určené na použitie s akumulátorom poškodené alebo upravené, nepoužívajte ich.** Fungovanie poškodeného alebo upraveného akumulátora alebo zariadenia ťažko predvídať a môžu zapríčiniť požiar, výbuch alebo zranenie.
 12. **Akumulátor nevystavujte ohňu ani nadmernej teplote.** Vystavenie ohňu alebo teplote nad 130 °C môže spôsobiť výbuch.
 13. **Dodržiavajte všetky pokyny pre nabíjanie a akumulátor nenabíjajte v prípade prekročenia teplotného rozsahu uvedeného v návode.** Nesprávne nabíjanie alebo nabíjanie pri teplotách mimo uvedeného rozsahu môže spôsobiť poškodenie akumulátora a zvýšiť riziko požiaru.
 14. **Servis nechajte vykonať kvalifikovaným pracovníkom s použitím výhradne identických náhradných dielov.** Tým zaisťujete zachovanie bezpečnosti produktu.
 15. **Zariadenie ani akumulátor neupravujte ani sa nepokúšajte opravovať, okrem postupovania podľa pokynov na používanie a starostlivosť.**
- (3) **Akumulátor nevystavujte vode ani dažďu. Skrat akumulátora môže spôsobiť veľký tok prúdu, prehriate, možné popálenie či dokonca poruchu.**
 6. **Nástroj ani akumulátor neskladujte a nepoužívajte na miestach s teplotou presahujúcou 50 °C (122 °F).**
 7. **Akumulátor nespľachujte, ani keď je vážne poškodený alebo úplne opotrebovaný. Akumulátor môže v ohni explodovať.**
 8. **Akumulátor neprepichujte, neprezerávajte, nedrhte, neháďte ani ho nenarúšajte údermi o tvrdé predmety.** Môže to viesť k požiaru, nadmernému teplu alebo výbuchu.
 9. **Nepoužívajte poškodený akumulátor.**
 10. **Lítium-iónové akumulátory, ktoré sú súčasťou náradia, podliehajú požiadavkám legislatívy o nebezpečnom tovare.** V prípade obchodnej prepravy, napr. dodanie tretími stranami či špeditériami, sa musia dodržiavať špeciálne požiadavky na zabalenie a označenie. Pred prípravou položky na odoslanie sa vyžaduje konzultácia s odborníkom na nebezpečný materiál. Taktiež treba dodržiavať potenciálne podrobnejšie predpisy príslušnej krajiny. Prelepte alebo zakryte otvorené kontakty a zabaľte akumulátor tak, aby sa v balíku nemohol voľne pohybovať.
 11. **Akumulátor pri likvidácii odstráňte z nástroja a zlikvidujte ho na bezpečnom mieste. Akumulátor zlikvidujte v súlade s miestnymi nariadeniami.**
 12. **Akumulátory používajte iba s výrobkami uvedenými spoločnosťou Makita.** Inštalácia akumulátorov do nevyhovujúcich výrobkov môže spôsobiť požiar, nadmerné teplo, výbuch alebo únik elektrolytov.
 13. **Ak sa nástroj dlhší čas nepoužíva, odstráňte z neho akumulátor.**
 14. **Akumulátor sa môže počas používania a po použití zohriať, čo môže spôsobiť popálenie alebo popálenie aj pri relatívne nízkej teplote. Pri manipulácii s horúcimi akumulátormi dávajte pozor.**
 15. **Nedotýkajte sa svorky nástroja ihneď po použití, keďže sa mohla zohriať dostatočne na to, aby spôsobila popálenie.**
 16. **Zabráňte zachytávaniu triesok, prachu alebo zeminy na svorkách, otvoroch a drážkach akumulátora.** Môže to viesť k slabému výkonu alebo poškodeniu nástroja alebo akumulátora.
 17. **Pokiaľ nástroj nepodporuje používanie v blízkosti vysokonapäťových elektrických vedení, nepoužívajte akumulátor blízko vysokonapäťových elektrických vedení.** Môže to viesť k nesprávnemu fungovaniu alebo poškodeniu nástroja alebo akumulátora.
 18. **Akumulátor držte mimo dosahu detí.**

Dôležité bezpečnostné a prevádzkové pokyny pre akumulátor

1. **Pred použitím akumulátora si prečítajte všetky pokyny a výstavné označenia na (1) nabíjačke akumulátorov, (2) akumulátore a (3) produkte používajúcom akumulátor.**
2. **Akumulátor nerozoberajte ani neupravujte.** Môže to viesť k požiaru, nadmernému teplu alebo výbuchu.
3. **Ak sa doba prevádzky príliš skráti, ihneď prerušte prácu.** Môže nastať riziko prehriatia, možných popálením či dokonca explózie.
4. **V prípade zasiahnutia očí elektrolytom ich vypláchnite čistou vodou a okamžite vyhľadajte lekársku pomoc.** Môže dôjsť k strate zraku.
5. **Akumulátor neskratujte:**
 - (1) **Nedotýkajte sa konektorov žiadnym vodivým materiálom.**
 - (2) **Neskladujte akumulátor v obale s inými kovovými predmetmi, napríklad klincami, mincami a pod.**

TIETO POKYNY USCHOVAJTE.

▲POZOR: Používajte len originálne akumulátory od spoločnosti Makita. Používanie batérií, ktoré nie sú od spoločnosti Makita, alebo upravených batérií môže spôsobiť výbuch batérie a následný požiar, zranenie osôb alebo poškodeniu majetku. Následkom bude aj zrušenie záruky od spoločnosti Makita na nástroj a nabíjačku od spoločnosti Makita.

Rady na udržanie maximálnej životnosti akumulátora

1. Akumulátor nabíjajte ešte predtým, ako sa úplne vybije. Vždy prerušte prácu s nástrojom a nabíjajte akumulátor, keď spozorujete nižší výkon nástroja.
2. Nikdy nenabíjajte plne nabitý akumulátor. Prebíjanie skracuje životnosť akumulátora.
3. Akumulátor nabíjajte pri izbovej teplote 10 °C – 40 °C (50 °F – 104 °F). Pred nabíjaním nechajte horúci akumulátor vychladnúť.
4. Keď akumulátor nepoužívate, vyberte ho z nástroja alebo nabíjačky.
5. Litium-iónový akumulátor nabíjajte, ak ste ho nepoužívali dlhšie ako šesť mesiacov.

POPIS SÚČASTÍ

Tento držiak možno používať s nasledujúcimi bundami/vestami s ventilátorom a vyhrievanými bundami/vestami/dekami.

► Obr.1

Skupina	Model
A	Bunda/vesta s ventilátorom: DFV210, DFJ206, DFJ207, DFJ210, DFJ211, DFJ212, DFJ213, DFJ214, DFJ216, DFJ304, DFJ305, DFJ310, DFJ311, DFJ405, DFJ407, DFJ410, DFJ411, DFJ416 Vyhrievaná bunda/vesta/deka: CV102D, DCV202, CJ105D, CJ106D, DCJ205, DCJ206, CB100D, DCB200
B	Bunda/vesta s ventilátorom: DFJ212A, DFJ213A, DFJ214A, DFJ216A, DFJ312A, DFJ416A, DFV210A, DFV214A

1. Indikátor úrovne výkonu

Počas používania bundy/vesty s ventilátorom sa zobrazuje úroveň výkonu.

POZNÁMKA: Ak používate bundy/vesty s ventilátorom z vyššie uvedenej skupiny A, indikátor úrovne výkonu 4 nebude svietiť, pretože ich jednotky ventilátora používajú 3-krokové ovládanie.

POZNÁMKA: Ak používate vyhrievanú bundu/vestu/deku, bude svietiť iba indikátor úrovne výkonu 4.

2. Hlavný vypínač

Na zapnutie vložte akumulátor a stlačte a podržte hlavný vypínač, kým sa nerozsvieti indikátor úrovne výkonu.

Ak chcete zmeniť úroveň výkonu bundy/vesty s ventilátorom, krátko stlačte hlavný vypínač, keď je zapnuté napájanie.

Na vypnutie stlačte a podržte hlavný vypínač, kým nezhasne indikátor úrovne výkonu.

POZNÁMKA: Ak chcete zmeniť hrejivosť vyhrievanej bundy/vesty/deky, stlačte tlačidlo na vyhrievanej bunde/veste/deke, keď je napájaná.

3. Elektrická zásuvka

Pripojte kábel z bundy/vesty/deky alebo adaptérový kábel.

4. Adaptérový kábel pre bundu/vestu s ventilátorom (voliteľné príslušenstvo)

Adaptérový kábel použite, ak používate produkty z vyššie uvedenej skupiny A.

5. Adaptérový kábel pre vyhrievanú bundu/vestu/deku (voliteľné príslušenstvo)

Adaptérový kábel použite, ak používate produkty z vyššie uvedenej skupiny A.

6. Napájací kábel bundy/vesty/deky

V prípade produktov z vyššie uvedenej skupiny A pre bundu/vestu s ventilátorom alebo vyhrievanú bundu/vestu/deku pripojte vhodný adaptérový kábel.

V prípade produktov z vyššie uvedenej skupiny B vykonajte pripojenie do elektrickej zásuvky držiaka na akumulátor.

POZNÁMKA: Tvar a umiestnenie zásuvky sa líši v závislosti od bundy/vesty/deky.

7. Akumulátor (voliteľné príslušenstvo)

Akumulátor zatlačte úplne do držiaka, aby s miernym cvaknutím zapadol na miesto.

OPIS FUNKCIÍ

Inštalácia alebo demontáž akumulátora

▲POZOR: Pri inštalovaní a demontovaní akumulátora pevne uchopíte držiak na akumulátor a akumulátor. Ak držiak na akumulátor a akumulátor pevne neuchopíte, môžu sa vám vyšmyknúť z rúk a poškodiť sa, prípadne spôsobiť zranenie.

▲POZOR: Pred vybratím akumulátora zariadenie vždy vypnite.

- Obr.2: 1. Červený indikátor 2. Tlačidlo 3. Akumulátor 4. Držiak na akumulátor

Akumulátor vložte tak, že jazýček akumulátora zarovnáte s drážkou v kryte a zasuniete ho na miesto. Akumulátor zatlačte úplne, aby s miernym cvaknutím zapadol na miesto. Ak vidíte červený indikátor na hornej strane tlačidla, nie je správne zaistený.

Ak chcete vybrať akumulátor, vysuňte ho z držiaka na akumulátory, pričom stláčajte tlačidlo na prednej strane akumulátora.

⚠ POZOR: Akumulátor vždy nainštalujte úplne, až kým nie je vidieť červený indikátor. V opačnom prípade môže akumulátor náhodne vypadnúť z držiaka na akumulátory a ublížiť vám alebo osobám v okolí.

⚠ POZOR: Pri inštalovaní akumulátora nepoužívajte silu. Ak sa akumulátor nedá zasunúť ľahko, nevkladáte ho správne.

Upevňovanie držiaka na akumulátory

Držiak na akumulátor si možno zavesiť na opasok. Držiak na akumulátor zaisťte pomocou popruhu pripojeného cez príslušný otvor, aby ste zabránili jeho náhodnému vypadnutiu.

► **Obr.3:** 1. Otvor na popruh

Držiak na akumulátor je vybavený funkciou na ochranu proti pádu. Pri snímaní držiaka na akumulátor z opasku ťahajte držiak na akumulátor smerom nahor a súčasne stláčajte tlačidlo odblokovania.

► **Obr.4:** 1. Tlačidlo odblokovania

Pripojenie zariadení USB

⚠ POZOR: Pripojte len zariadenia kompatibilné s napájacím portom USB. Ignorovanie tohto pokynu môže zapríčiniť poruchu držiaka na akumulátory.

UPOZORNENIE: Pred pripojením zariadenia USB k držiaku na akumulátory (s akumulátorom) vždy zálohujte údaje na zariadení USB. V opačnom prípade hrozí strata údajov.

UPOZORNENIE: Držiak na akumulátor nemožno použiť na napájanie niektorých zariadení USB.

UPOZORNENIE: Ak kábel USB nepoužívate alebo po nabíjaní, kábel odpojte a zatvorte kryt.

Držiak na akumulátor (s akumulátorom) môže slúžiť ako externý zdroj napájania zariadení USB.

Otvorte kryt a pripojte kábel USB (nie je súčasťou dodávky) do portu USB na držiaku na akumulátor. Potom pripojte druhý koniec kábla do zariadenia.

Ak chcete spustiť nabíjanie, stlačte a podržte hlavný vypínač, kým sa nerozsvieti indikátor úrovne výkonu.

Ak chcete zastaviť nabíjanie, stlačte a podržte hlavný vypínač, kým nezhasne indikátor úrovne výkonu.

► **Obr.5:** 1. Kryt 2. Port USB

POZNÁMKA: Skutočný výstupný prúd sa líši v závislosti od zariadenia USB určeného na pripojenie.

POZNÁMKA: Keď je hlavný vypínač zapnutý, spotrebúva sa energia akumulátora. Ak zariadenie nepoužívate, vypínač vždy vypnite.

POZNÁMKA: Keď nabíjate niekoľko zariadení USB za sebou, po ukončení nabíjania jedného zariadenia počkajte približne 10 sekúnd a až potom začnite nabíjať ďalšie zariadenie.

ÚDRŽBA

UPOZORNENIE: Nepoužívajte benzín, riedidlo, alkohol ani podobné látky. Môžu spôsobiť zmenu farby, deformáciu alebo praskliny.

UPOZORNENIE: Držiak na akumulátor neumývajte vodou.

- Pomocou čistej a suchej handričky alebo handričky namočenej v mydlovej vode a potom poriadne vyžmýkanej z krytu odstráňte nečistoty, prach, olej, mazivo atď.
- Zariadenie umiestnite na miesto, kde nie je príliš horúco, chladno ani vlhko.

Ak chcete udržať BEZPEČNOSŤ a BEZPORUCHOVOSŤ výrobku, prenechajte opravu, údržbu a nastavenie na autorizované alebo továrenské servisné centrá Makita, ktoré používajú len náhradné diely značky Makita.

SPECIFIKACE

Model	TD00000111 Držák akumulátorů pro LXT akumulátor	TD00000110 Držák akumulátorů pro CXT akumulátor
Jmenovité napětí	14,4 V DC 18 V DC	10,8 V–12 V max. DC
Akumulátor	BL1415N / BL1430B / BL1440 / BL1460B BL1815N / BL1820B / BL1830 / BL1830B / BL1840B / BL1850B / BL1860B	BL1016 / BL1021B / BL1041B
Napájecí port USB	5 V DC, 2,4 A, typ A	
Rozměry (D × Š × V)	100 mm x 78 mm x 39 mm	88 mm x 61 mm x 33 mm
Čistá hmotnost	0,14 kg	0,09 kg

- V závislosti na regionu vašeho bydliště nemusí být některé akumulátory k dispozici.

VAROVÁNÍ: Používejte pouze výše uvedené akumulátory. Použití jiných akumulátorů může způsobit zranění a/nebo požár.

Symbyoly

U produktu jsou použity některé z následujících symbolů. Je důležité, abyste dříve, než s ním začnete pracovat, pochopili jejich význam.



Přečtěte si návod k obsluze.



Pouze pro země EU
Z důvodu přítomnosti nebezpečných součástí v zařízení mohou odpadní elektrické a elektronické zařízení, akumulátory a baterie negativně ovlivnit životní prostředí a lidské zdraví.
Elektrické a elektronické spotřebiče ani akumulátory nevyhazujte do domovního odpadu!
V souladu s evropskou směrnicí o odpadních elektrických a elektronických zařízeních, akumulátorech a bateriích a odpadních akumulátorech a bateriích, stejně jako jejím přizpůsobením ve vnitrostátním právu, by odpadní elektrická zařízení, baterie a akumulátory měly být uchovávány odděleně a měly by být odevzdány na vyhrazeném sběrném místě komunálního odpadu, které je provozováno v souladu s předpisy na ochranu životního prostředí. Toto je označeno symbolem přeškrtnuté popelnice na kolečkách, který je umístěn na zařízení.

BEZPEČNOSTNÍ VÝSTRAHY

VAROVÁNÍ: Před použitím si nezapomeňte přečíst návod k obsluze výrobku Makita, který budete používat s tímto zařízením.

VAROVÁNÍ: Toto zařízení používejte pouze s výrobky specifikovanými společností Makita. Použití zařízení s nevyhovujícími výrobky může způsobit požár, nadměrné zahřívání, explozi nebo únik elektrolytu.

Elektrická bezpečnost

1. **Nemanipulujte s kabelem ani akumulátorem mokřýma nebo mastnýma rukama.**
2. **Nepoužívejte poškozený USB kabel.**
3. **Nenamáhejte napájecí kabel. Nepoužívejte kabel k přenášení, tahání či vytahování ze zásuvky. Napájecí kabel nevystavuje teplotu, olejům a ostrým hranám.**
4. **Když akumulátor dodává energii, nenechávejte kabel odpojený.** Malé děti by si mohly strčit zástrčku pod napětím do pusy a způsobit si zranění.
5. **Nevkládejte hřebíky, dráty ani jiné předměty do napájecího portu USB.** V opačném případě může dojít ke zkratu, který může způsobit kouř nebo požár.
6. **Nepřipojujte zdroj napájení do portu USB. Port USB je určen pouze k nabíjení nízkonapěťových zařízení. Pokud neprobíhá nabíjení nízkonapěťového zařízení, vždy umístěte kryt na port USB.** V opačném případě hrozí nebezpečí požáru.
7. **Nabíjení provádějte pouze pomocí nabíječky určené výrobcem. Nabíječka vhodná pro jeden typ akumulátoru může při použití s jiným akumulátorem vést ke vzniku nebezpečí požáru.**

8. Zařízení používejte pouze s výslovně určenými akumulátory. Použití jiných akumulátorů může vyvolat nebezpečí zranění a požáru.
 9. Pokud akumulátor nepoužíváte, udržujte jej mimo dosah jiných kovových předmětů, jako jsou kancelářské sponky, mince, klíče, hřebíky, šrouby nebo jiné malé kovové předměty, které mohou propojit svorky akumulátoru. Zkratování svorek akumulátoru může způsobit popáleniny nebo požár.
 10. Při hrubém zacházení může z akumulátoru uniknout elektrolyt. Vyvarujte se styku s ním. Pokud dojde k náhodnému kontaktu, omyjte zasažené místo vodou. Pokud elektrolyt zasáhne oči, vyhledejte lékařskou pomoc. Elektrolyt uniklý z akumulátoru může způsobit podráždění nebo popálení pokožky.
 11. Nepoužívejte akumulátor ani zařízení, které má být s akumulátorem použito, jestliže jsou poškozené nebo nějak upravené. U poškozeného nebo upraveného akumulátoru či zařízení může dojít k neočekávanému chování, které může mít za následek požár, výbuch nebo riziko poranění.
 12. Akumulátor nevystavujte ohni nebo vysokým teplotám. Při vystavení žáru ohně nebo teplotám nad 130 °C může dojít k výbuchu.
 13. Postupujte dle pokynů pro nabíjení a akumulátor nenabíjejte mimo teplotní rozsah specifikovaný v pokynech. Nesprávné nabíjení při teplotách mimo stanovený rozsah může poškodit akumulátor a zvýšit riziko požáru.
 14. Výrobek nechte opravovat kvalifikovaným pracovníkem s použitím výhradně identických náhradních dílů. Tím zajistíte zachování bezpečnosti výrobku.
 15. Nesazte se zařízení či akumulátor nijak upravovat nebo opravovat s výjimkou postupů, které jsou uvedeny v návodu k použití a údržbě.
- (3) Nevystavuje akumulátor vodě a dešti. Zkrat akumulátoru může způsobit velký průtok proudu, přehřátí, možné popálení a dokonce i poruchu.
 6. Neskladujte a nepoužívejte nářadí a akumulátor na místech, kde může teplota překročit 50 °C (122 °F).
 7. Nespalujte akumulátor, ani když je vážně poškozen nebo úplně opotřeben. Akumulátor může v ohni vybuchnout.
 8. Akumulátor nesmí být proražen hřebíkem, řezán, drcen, házen či upuštěn na zem, ani nesmí dojít k nárazu tvrdého předmětu do něj. Taková situace může způsobit požár, nadměrné zahřátí či výbuch.
 9. Nepoužívejte poškozené akumulátory.
 10. Obsažené lithium-iontové akumulátory podléhají právním požadavkům na nebezpečné zboží.
V případě komerční přepravy například externími dopravci je třeba dodržet zvláštní požadavky na balení a značení.
Pro přípravu zboží k přepravě je nutná konzultace s odborníkem na nebezpečný materiál. Dodržujte také případné podrobnější národní předpisy. Odkryté kontakty přelepte izolační páskou či jinak zakryjte a akumulátory zabalte tak, aby se v balení nemohly pohybovat.
 11. Při likvidaci akumulátoru jej vyjměte z nářadí a zlikvidujte jej na bezpečném místě. Při likvidaci akumulátoru postupujte podle místních předpisů.
 12. Akumulátor používejte pouze s výrobky specifikovanými společností Makita. Instalace akumulátoru do nevyhovujících výrobků může způsobit požár, nadměrné zahřívání, explozi nebo únik elektrolytu.
 13. Pokud nářadí delší dobu nepoužíváte, je nutné z něj akumulátor vyjmout.
 14. Během a po použití se může akumulátor zahřát, což může způsobit popáleniny nebo podráždění. Při manipulaci s horkými akumulátory dávejte pozor.
 15. Nedotýkejte se koncovky na nářadí ihned po použití, protože ta může být horká a způsobit popáleniny.
 16. Do koncovek, otvorů a zdiřek na akumulátoru se nesmí dostat piliny, prach nebo jiné nečistoty. Mohlo by tím dojít ke zhoršení výkonu nebo poruše nářadí či akumulátoru.
 17. Jestliže nářadí není zkonstruováno tak, že lze používat v blízkosti vysokého elektrického napětí, nepoužívejte akumulátor poblíž vedení s vysokým elektrickým napětím. Mohlo by tím dojít k poruše či selhání nářadí či akumulátoru.
 18. Akumulátor uchovávejte mimo dosah dětí.

Důležitá bezpečnostní upozornění pro akumulátor

1. Před použitím akumulátoru si přečtěte všechny pokyny a varovné symboly na (1) nabíječce, (2) akumulátoru a (3) výrobku využívajícím akumulátor.
2. Nerozebírejte akumulátor ani do něj nijak nezasahujte. Může dojít k požáru, nadměrnému zahřátí nebo výbuchu.
3. Pokud se příliš zkrátí provozní doba akumulátoru, přerušete okamžitě práci. V opačném případě existuje riziko přehřívání, popálení nebo dokonce výbuchu.
4. Budou-li vaše oči zasaženy elektrolytem, vypláchněte je čistou vodou a okamžitě vyhledejte lékařskou pomoc. Může dojít ke ztrátě zraku.
5. Akumulátor nezkratujte:
 - (1) Nedotýkejte se svorek žádným vodivým materiálem.
 - (2) Neskladujte akumulátor v nádobě s jinými kovovými předměty, jako jsou hřebíky, mince, apod.

TYTO POKYNY USCHOVEJTE.

▲ UPOZORNĚNÍ: Používejte pouze originální akumulátory Makita. Používání neoriginálních nebo upravených akumulátorů může způsobit explozi akumulátoru a následný požár, zranění a jiné poškození. Zaniká tím také záruka společnosti Makita na nářadí a nabíječku Makita.

Tipy k zajištění maximální životnosti akumulátoru

1. Akumulátor nabíjete dříve, než dojde k jeho úplnému vybití. Pokud si povšimnete sníženého výkonu nářadí, vždy jej zastavte a dobijte akumulátor.
2. Nikdy nenabíjete úplně nabitý akumulátor. Přebíjení zkracuje životnost akumulátoru.
3. Akumulátor dobíjete při pokojové teplotě od 10 °C do 40 °C (50 °F až 104 °F). Před nabíjením nechejte horký akumulátor zchladnout.
4. Když není akumulátor používán, vyjměte ho z nářadí či nabíječky.
5. Pokud se akumulátor delší dobu nepoužívá (déle než šest měsíců), je nutno jej dobít.

POPIS DÍLŮ

Tento držák lze používat pro následující bundu/vestu s ventilátorem a vyhřívanou bundu/vestu/příkrývku od společnosti Makita.

► Obr.1

Skupina	Model
A	Bunda /vesta s ventilátorem: DFV210, DFJ206, DFJ207, DFJ210, DFJ211, DFJ212, DFJ213, DFJ214, DFJ216, DFJ304, DFJ305, DFJ310, DFJ311, DFJ405, DFJ407, DFJ410, DFJ411, DFJ416 Vyhřívaná bunda / vesta / příkrývka: CV102D, DCV202, CJ105D, CJ106D, DCJ205, DCJ206, CB100D, DCB200
B	Bunda /vesta s ventilátorem: DFJ212A, DFJ213A, DFJ214A, DFJ216A, DFJ312A, DFJ416A, DFV210A, DFV214A

1. Indikátor úrovně výkonu

Při používání bundy či vesty s ventilátorem se zobrazuje úroveň jejich výkonu.

POZNÁMKA: Jestliže používáte bundy či vesty s ventilátorem ze skupiny A uvedené výše, indikátor úrovně výkonu 4 se nerozsvítí, protože jejich jednotky ventilátorů mají jen 3 úrovně.

POZNÁMKA: Jestliže používáte vyhřívanou bundu/vestu/příkrývku, rozsvítí se jen indikátor úrovně výkonu 4.

2. Tlačítko napájení

Zapnutí provedete vložením akumulátoru a poté stisknutím a podržením tlačítka napájení, dokud se nerozsvítí indikátor úrovně výkonu.

Změnu úrovně výkonu bundy/vesty s ventilátorem provedete krátkým stisknutím tlačítka napájení, když je napájení již zapnuté.

Vypnutí provedete stisknutím a podržením tlačítka napájení, dokud indikátor úrovně výkonu nezhasne.

POZNÁMKA: Chcete-li změnit množství tepla, které vydává vyhřívaná bunda/vesta/příkrývka, stiskněte tlačítko na vyhřívané bundě/vestě/příkrývce, když je tato zapnutá.

3. Elektrická zásuvka

Připojte kabel z bundy/vesty/příkrývky nebo kabel adaptéru.

4. Kabel adaptéru pro bundu/vestu s ventilátorem (volitelné příslušenství)

Kabel adaptéru používejte jen tehdy, když používáte produkty ze skupiny A výše.

5. Kabel adaptéru pro vyhřívanou bundu/vestu/příkrývku (volitelné příslušenství)

Kabel adaptéru používejte jen tehdy, když používáte produkty ze skupiny A výše.

6. Napájecí kabel pro bundu/vestu/příkrývku

V případě produktů ze skupiny A výše připojte vhodný kabel adaptéru k bundě/vestě s ventilátorem nebo vyhřívané bundě/vestě/příkrývce.

V případě produktů ze skupiny B výše připojte k elektrické zásuvce na držáku akumulátorů.

POZNÁMKA: Tvar a umístění zásuvky se liší v závislosti na vaší konkrétní bundě/vestě/příkrývce.

7. Akumulátor (volitelné příslušenství)

Akumulátor zasunujte do držáku nadoraz, až zacvakne na místo.

POPIS FUNKCÍ

Nasazení a sejmutí akumulátoru

▲UPOZORNĚNÍ: Při nasazování či snímání akumulátoru pevně držte držák akumulátoru i akumulátor. V opačném případě vám může držák akumulátoru nebo akumulátor vyklouznout z rukou a mohlo by dojít k jejich poškození či ke zranění.

▲UPOZORNĚNÍ: Před sejmutím akumulátoru zařízení vždy vypněte.

► Obr.2: 1. Červený indikátor 2. Tlačítko 3. Akumulátor 4. Držák akumulátorů

Při nasazování akumulátoru vyrovnejte jazýček na bloku akumulátoru s drážkou v krytu a zasuňte akumulátor na místo. Akumulátor zasunujte nadoraz, až zacvakne na místo. Není-li tlačítko zcela zajištěno, uvidíte na jeho horní straně červený indikátor.

Pokud chcete akumulátor z držáku vyjmout, vysuňte jej se současným stisknutím tlačítka na přední straně akumulátoru.

▲UPOZORNĚNÍ: Akumulátor zasunujte vždy zcela tak, aby nebyl červený indikátor vidět. Jinak by mohl akumulátor z držáku vypadnout a způsobit zranění obsluze či přihlížejícím osobám.

▲UPOZORNĚNÍ: Akumulátor nenasazujte násilím. Nelze-li akumulátor zasunout snadno, nevkládáte jej správně.

Přípevnění držáku akumulátoru

Držák akumulátoru můžete zavěsit za opasek. Aby se zabránilo nahodilému upuštění držáku akumulátoru, připevněte pásek pomocí otvoru v pásku a zajistěte jej.

► **Obr.3:** 1. Otvor v pásku

Držák akumulátoru má funkci proti upuštění. Při vydávání držáku akumulátoru z opasku vytáhněte držák akumulátoru nahoru a stiskněte odjišťovací tlačítko.

► **Obr.4:** 1. Odjišťovací tlačítko

Připojení zařízení USB

⚠ UPOZORNĚNÍ: Připojte pouze zařízení, která jsou kompatibilní s napájecím portem USB. V opačném případě hrozí poškození držáku akumulátoru.

POZOR: Před připojením zařízení USB k držáku akumulátoru (s akumulátorem) si vždy zálohujte data na zařízení USB. V opačném případě hrozí ztráta dat.

POZOR: Držák akumulátoru nemusí být vhodný pro některá zařízení USB.

POZOR: Jestliže kabel USB nepoužíváte nebo po nabíjení kabel odpojte a zavřete kryt.

Držák akumulátoru (s akumulátorem) může pracovat jako externí napájecí zdroj pro zařízení USB.

Otevřete kryt a připojte kabel USB (není součástí dodávky) k portu USB na držáku akumulátoru. Poté připevněte druhý konec kabelu k zařízení. Pro spuštění nabíjení stiskněte tlačítko napájení a podržte jej, dokud se nerozsvítí indikátor úrovně výkonu. Pro ukončení nabíjení stiskněte tlačítko napájení a podržte jej, dokud indikátor úrovně výkonu nezhasne.

► **Obr.5:** 1. Kryt 2. Port USB

POZNÁMKA: Skutečný výstupní proud závisí na připojovaném USB zařízení.

POZNÁMKA: Energie akumulátoru se spotřebovává, když je zapnuté tlačítko napájení. Pokud zařízení nepoužíváte, vždy vypněte spínač.

POZNÁMKA: Při dobíjení více USB zařízení postupně počkejte přibližně 10 sekund po dokončení dobíjení předchozího zařízení a poté začněte nabíjet další zařízení.

ÚDRŽBA

POZOR: Nikdy nepoužívejte benzín, benzen, ředidlo, alkohol či podobné prostředky. Mohlo by tak dojít ke změnám barvy, deformacím či vzniku prasklin.

POZOR: Nemyjte držák akumulátorů ve vodě.

- Otřete prach, nečistoty, olej, mastnotu atd. na krytu pomocí čistého a suchého hadříku nebo hadříku namočeného do mýdlové vody a pořádně vyždímaného.
- Zařízení uchovávejte na místě, kde není příliš vysoká teplota, nízká teplota nebo vysoká vlhkost.

K zachování BEZPEČNOSTI a SPOLEHLIVOSTI výrobku musí být opravy a veškerá další údržba či seřizování prováděny autorizovanými nebo továrními servisními středisky společnosti Makita s využitím náhradních dílů Makita.

TEHNIČNI PODATKI

Model	TD0000111 Nosilec baterije za akumulatorsko baterijo LXT	TD0000110 Nosilec baterije za akumulatorsko baterijo CXT
Nazivna napetost	D.C. 14,4 V D.C. 18 V	D.C. največ 10,8 V – 12 V
Akumulatorska baterija	BL1415N / BL1430B / BL1440 / BL1460B BL1815N / BL1820B / BL1830 / BL1830B / BL1840B / BL1850B / BL1860B	BL1016 / BL1021B / BL1041B
Napajalni vhod USB	D.C. 5 V, 2,4 A, tip A	
Mere (D × Š × V)	100 mm × 78 mm × 39 mm	88 mm × 61 mm × 33 mm
Neto teža	0,14 kg	0,09 kg

- Nekatere zgoraj navedene akumulatorske baterije morda v vaši državi prebivališča niso na voljo.

⚠ OPOZORILO: Uporabljajte le zgoraj navedene akumulatorske baterije. Uporaba drugih akumulatorskih baterij lahko povzroči telesne poškodbe in/ali požar.

Simboli

Za izdelek se lahko uporabljajo nekateri naslednji simboli. Pred uporabo izdelka se obvezno seznanite z njihovim pomenom.



Preberite navodila za uporabo.



Ni-MH
Li-ion

Samo za države EU
Zaradi prisotnosti nevarnih komponent v opremi imajo lahko uporabljena električna in elektronska oprema, akumulatorji in baterije negativen vpliv na okolje in zdravje ljudi.

Električnih in elektronskih naprav ali baterij ne odlagajte med gospodinjinske odpadke! Skladno z evropsko Direktivo o odpadni električni in elektronski opremi, o akumulatorjih in baterijah ter odpadnih akumulatorjih in baterijah ter njeno uporabo v državnih zakonih morate rabljeno električno in elektronsko opremo, baterije in akumulatorje zbirati ločeno ter dostaviti na posebno zbiralno mesto za komunalne odpadke, ki deluje skladno s predpisi za zaščito okolja. To nakazuje simbol prečrtanega smetnjaka s kolesi, ki je natisnjen na opremi.

VARNOSTNA OPOZORILO

⚠ OPOZORILO: Pred uporabo preberite navodila za uporabo izdelka Makita, ki ga boste uporabljali s to napravo.

⚠ OPOZORILO: Napravo uporabljajte samo z izdelki, ki jih določi podjetje Makita. Če napravo uporabljate z neskladnimi izdelki, lahko pride do požara, pregrevanja, eksplozije ali puščanja elektrolita.

Električna varnost

1. **Kabla in baterije se ne dotikajte z mokrimi ali mastnimi rokami.**
2. **Ne uporabljajte poškodovanega kabla USB.**
3. **Kabla nikoli ne uporabljajte za namene, za katere ni predviden. Kabla ne uporabljajte za nošenje, vlečenje ali izklapljanje. Kabla ne približujte vročini, olju in ostrim robovom.**
4. **Ko baterija dovaja energijo, pazite, da so vsi kabli priključeni. Majhen otrok lahko vtič pod napetostjo da v usta in se poškoduje.**
5. **V vrata USB za napajanje ne vstavljajte žebeljev, žic ali drugih predmetov. Sicer lahko kratki stik povzroči dimljenje ali požar.**
6. **Vira napajanja ne priključite na vhod USB. Vrata USB so namenjena le za polnjenje nizkonapetostnih naprav. Kadar ne polnite nizkonapetostne naprave, naj bodo vrata USB vedno pokrita s pokrovom. Sicer obstaja nevarnost požara.**
7. **Suknjič polnite samo s polnilnikom, ki ga je določil proizvajalec. Polnilnik, ki je primeren za eno vrsto akumulatorskih baterij, lahko povzroči nevarnost požara, če ga uporabljate z drugimi akumulatorskimi baterijami.**
8. **Napravo uporabljajte samo s posebej določenimi akumulatorskimi baterijami. Uporaba drugih akumulatorskih baterij lahko povzroči nevarnost telesnih poškodb in požara.**
9. **Ko akumulatorske baterije ne uporabljate, je ne hranite ob kovinskih predmetih, kot so sponke za papir, kovanci, ključi, žblji, vijaki ali drugi manjši kovinski predmeti, ki lahko povzročijo stik med priključkoma. Kratak stik akumulatorskih priključkov lahko povzroči opekline ali požar.**

10. V neprimernih pogojih lahko iz akumulatorja uhaja tekočina; izogibajte se stiku. Če pride do nenamerne stika, sperite z vodo. Če pride tekočina v stik z očmi, takoj poiščite zdravniško pomoč. Tekočina iz akumulatorja lahko povzroči draženje ali opekline.
11. Baterije ali naprave, ki se uporablja z baterijo, ne uporabljajte, če je poškodovana ali spremenjena. Delovanje poškodovane ali spremenjene baterije oziroma naprave je nepredvidljivo in lahko povzroči požar, eksplozijo ali telesne poškodbe.
12. Akumulatorske baterije ne izpostavljajte ognju ali previsoki temperaturi. Izpostavljenost ognju ali temperaturam nad 130 °C lahko povzroči eksplozijo.
13. Upoštevajte vsa navodila glede polnjenja in akumulatorske baterije ne polnite zunaj določenega temperaturnega obsega. Nepravilno polnjenje ali polnjenje pri temperaturah, ki so zunaj določenega obsega, lahko poškoduje akumulator in poveča nevarnost požara.
14. Servisiranje lahko izvede samo usposobljen serviser, ki uporablja ustrezne nadomestne dele. Tako bo zagotovljena varnost izdelka.
15. Ne spreminjajte ali popravljajte naprave ali akumulatorske baterije drugače, kot je navedeno v navodilih za uporabo in vzdrževanje.
8. Ne pribijajte, režite, drobite, mečite, spuščajte akumulatorske baterije oziroma ne udarjajte z akumulatorsko baterijo po trdem predmetu. Takšno ravnanje lahko povzroči požar, prekomerno vročino ali eksplozijo.
9. Ne uporabljajte poškodovanih akumulatorjev.
10. Priložene litij-ionske baterije ustrezajo zahtevam zakonodaje v zvezi z nevarnim blagom. Za komercialne prevoze, npr. tiste, ki jih opravljajo tretje stranke in carinski posredniki, je treba upoštevati posebne zahteve v zvezi z embalažo in označevanjem. Med postopkom priprave na odpremo izdelka se je treba posvetovati s strokovnjakom za nevarne snovi. Pri tem upoštevajte tudi podrobnejše nacionalne predpise. Odprte stike oblepite z lepilnim trakom ali jih drugače zaščitite, baterijo pa zapakirajte tako, da se v embalaži ne more premikati.
11. Ko odstranjujete akumulatorsko baterijo, jo vzemite iz orodja in varno zavržite. Upoštevajte lokalne uredbe glede odlaganja baterije.
12. Baterije uporabljajte le z izdelki, ki jih določi Makita. Če namestite baterije v neskladne izdelke, lahko pride do požara, pregrevanja, eksplozije ali puščanja elektrolita.
13. Če orodja dlje časa ne uporabljate, morate iz njega odstraniti baterijo.
14. Med uporabo in po uporabi lahko akumulatorska baterija postane vroča in povzroči opekline. Z vročimi akumulatorskimi baterijami ravnajte pazljivo.
15. Ne dotikajte se priključka orodja takoj po uporabi, ker se lahko dovolj segreje, da povzroči opekline.
16. Ne dovolite, da bi se v priključke, odprtine in utore akumulatorske baterije zleplili ostrih, prah ali zemlja. Umazanija lahko povzroči slabše delovanje ali okvaro orodja oziroma akumulatorske baterije.
17. Razen če orodje podpira uporabo v bližini visokonapetostnih električnih vodov, akumulatorske baterije ne uporabljajte v bližini visokonapetostnih električnih vodov. Takšna uporaba lahko povzroči motnje v delovanju ali okvaro orodja oziroma akumulatorske baterije.
18. Baterijo hranite izven dosega otrok.

Pomembna varnostna navodila za akumulatorsko baterijo

1. Pred uporabo baterijskega vložka preberite vsa navodila in opozorilne oznake na (1) polnilniku akumulatorja, (2) akumulatorju in (3) izdelku, ki uporablja akumulator.
2. Ne razstavljajte ali spreminjajte akumulatorske baterije. S tem lahko povzročite požar, prekomerno vročino ali eksplozijo.
3. Če se je čas delovanja občutno skrajšal, takoj prenehajte uporabljati orodje. V nasprotnem primeru lahko pride do pregretja, morebitnih opeklin in celo eksplozije.
4. Če pride elektrolit v stik z očmi, jih sperite s čisto vodo in takoj poiščite zdravniško pomoč. Posledica je lahko izguba vida.
5. Ne povzročite kratkega stika baterijskega vložka:
 - (1) Ne dotikajte se priključkov s kakršnim koli prevodnim materialom.
 - (2) Izogibajte se shranjevanju baterijskega vložka v vsebniku z drugimi kovinskimi predmeti kot so žebelji, kovanci itn.
 - (3) Ne izpostavljajte baterijskega vložka vodi ali dežju.
 Kratek stik akumulatorja lahko povzroči velik električni tok, pregrevanje, morebitne opekline in celo okvaro.
6. Ne shranjujte in uporabljajte orodja in akumulatorske baterije na mestih, kjer lahko temperatura doseže ali preseže 50 °C (122 °F).
7. Ne sežigajte baterijskega vložka, tudi če je hudo poškodovan ali v celoti izpraznjen. Baterijski vložek lahko v ognju eksplodira.

SHRANITE TA NAVODILA.

⚠ POZOR: Uporabljajte le originalne baterije Makita. Če uporabljate neoriginalne baterije Makita ali baterije, ki so bile spremenjene, lahko pride do eksplozije baterije in posledično do požara, telesnih poškodb ali materialne škode. S takšno uporabo boste tudi razveljavili garancijo Makita za orodje in polnilnik Makita.

Nasveti za ohranjanje največje zmogljivosti akumulatorja

1. Napolnite baterijski vložek, preden se v celoti izprazni. Ko opazite, da ima orodje manjšo moč, vedno ustavite delovanje orodja in napolnite baterijski vložek.
2. Nikoli znova ne polnite popolnoma napolnjenega baterijskega vložka. Prenapolnjenje skrajša življenjsko dobo akumulatorja.
3. Baterijski vložek s sobno temperaturo polnite pri temperaturi okolja od 10 °C do 40 °C. Počakajte, da se vroč baterijski vložek pred polnjenjem ohladi.
4. Ko akumulatorske baterije ne uporabljate, jo odstranite iz orodja ali polnilnika.
5. Če baterijskega vložka ne uporabljate dalj časa (več kot 6 mesecev), ga napolnite.

OPIS DELOV

Ta nosilec se lahko uporablja za naslednji suknjič/brezrokavnik za hlajenje in ogrevan suknjič/brezrokavnik ali grelno odejo.

► SI.1

Skupina	Model
A	Suknjič/brezrokavnik za hlajenje: DFV210, DFJ206, DFJ207, DFJ210, DFJ211, DFJ212, DFJ213, DFJ214, DFJ216, DFJ304, DFJ305, DFJ310, DFJ311, DFJ405, DFJ407, DFJ410, DFJ411, DFJ416 Ogrevan suknjič/brezrokavnik/grelno odeja: CV102D, DCV202, CJ105D, CJ106D, DCJ205, DCJ206, CB100D, DCB200
B	Suknjič/brezrokavnik za hlajenje: DFJ212A, DFJ213A, DFJ214A, DFJ216A, DFJ312A, DFJ416A, DFV210A, DFV214A

1. Indikator stopnje moči

Pri uporabi suknjiča/brezrokavnika za hlajenje je prikazana stopnja moči.

OPOMBA: Če uporabljate suknjič/brezrokavnik za hlajenje iz zgoraj navedene skupine A, indikator stopnje moči 4 ne bo svetil, ker njihove ventilatorske enote uporabljajo 3-stopenjski nadzor.

OPOMBA: Če uporabljate ogrevan suknjič/brezrokavnik/grelno odejo, zasveti samo indikator stopnje moči 4.

2. Gumb za vklop/izklop

Za vklop vstavite akumulatorsko baterijo in nato pritisnite ter pridržite gumb za vklop/izklop, dokler indikator stopnje moči ne zasveti.

Za spreminjanje stopnje moči suknjiča/brezrokavnika za hlajenje kratko pritisnite gumb za vklop/izklop, ko je ta vklopljen.

Za izklop pritisnite in pridržite gumb za vklop/izklop, dokler indikator stopnje moči ne ugasne.

OPOMBA: Za spreminjanje toplote ogrevanega suknjiča/brezrokavnika/grelne odeje pritisnite gumb na ogrevanem suknjiču/brezrokavniku/grelni odeji, ko se napaja.

3. Električna vtičnica

Priključite kabel suknjiča/brezrokavnika/odeje ali adapterski kabel.

4. Adapterski kabel za suknjič/brezrokavnik za hlajenje (dodatna oprema)

Adapterski kabel uporabite pri uporabi izdelkov iz zgoraj navedene skupine A.

5. Adapterski kabel za ogrevan suknjič/brezrokavnik/grelno odejo (dodatna oprema)

Adapterski kabel uporabite pri uporabi izdelkov iz zgoraj navedene skupine A.

6. Napajalni kabel suknjiča/brezrokavnika/odeje

Pri izdelkih iz zgoraj navedene skupine A priključite ustrezni adapterski kabel za suknjič/brezrokavnik za hlajenje oziroma za ogrevan suknjič/brezrokavnik/grelno odejo.

Pri izdelkih iz zgoraj navedene skupine B priključite na električno vtičnico nosilca baterije.

OPOMBA: Oblika in mesto vtičnice sta različna glede na suknjič/brezrokavnik/odejo.

7. Akumulatorska baterija (dodatna oprema)

Akumulatorsko baterijo vstavite v nosilec do konca, dokler se slišno ne zaskoči.

OPIS DELOVANJA

Nameščanje ali odstranjevanje akumulatorske baterije

⚠️ POZOR: Kadar nameščate ali odstranjujete akumulatorsko baterijo, trdno držite nosilec baterije in akumulatorsko baterijo. Če nosilca baterije in akumulatorske baterije ne držite trdno, se lahko zgodi, da vam zdrsneta iz rok, posledica pa je lahko poškodba nosilca baterije in akumulatorske baterije in/ali telesna poškodba.

⚠️ POZOR: Pred odstranjevanjem akumulatorske baterije vedno izklopite napravo.

► **SI.2:** 1. Rdeči indikator 2. Gumb 3. Baterijski vložek 4. Nosilec baterije

Akumulatorsko baterijo vstavite tako, da poravnate jeziček na bateriji z utovor na ohišju in jo potisnete v ležišče. Akumulatorsko baterijo vstavite do konca, da se razločno zaskoči. Če je na zgornji strani gumba viden rdeč indikator, pomeni, da baterija ni ustrezno zaskočena.

Če želite odstraniti akumulatorsko baterijo, pritisnite gumb na sprednjem delu akumulatorske baterije in jo potisnite iz nosilca baterije.

⚠️ POZOR: Vedno namestite akumulatorsko baterijo tako, da rdeči indikator ni več viden. Sicer lahko akumulatorska baterija nepričakovano izpade iz nosilca baterije in poškoduje vas ali osebe v neposredni bližini.

⚠️ POZOR: Ne nameščajte akumulatorske baterije s silo. Če se akumulatorska baterija ne zaskoči zlahka, ni pravilno vstavljena.

Pritrjevanje nosilca baterije

Nosilec baterije si lahko obesite na pas.

Če se želite izogniti nenamernemu padcu nosilca baterije, pritrdite trak v odprtino za trak.

► **SI.3:** 1. Odprtina za trak

Nosilec baterijo ima varovalo, ki preprečuje padec na tla. Pri odstranjevanju nosilca baterije s pasu pritisnite gumb za sprostitve in nosilec baterije povlecite navzgor.

► **SI.4:** 1. Gumb za odklep

Priključitev naprav USB

⚠️ POZOR: Na napajalni vhod USB priključite samo naprave, ki so z njim združljive. V nasprotnem primeru lahko povzročite okvaro nosilca baterije.

OBVESTILO: Preden povežete napravo USB z nosilcem baterije (z baterijo), vedno ustvarite varnostno kopijo podatkov v napravi USB. V nasprotnem primeru se lahko vaši podatki izgubijo.

OBVESTILO: Nosilec baterije nekaterih naprav USB morda ne bo polnil.

OBVESTILO: Če izdelka ne uporabljate ali pa je napajanje končano, odstranite kabel USB in zaprite pokrov.

Nosilec baterije (z akumulatorsko baterijo) lahko deluje kot zunanji vir napajanja za naprave USB.

Odprite pokrov in priključite kabel USB (ni priložen) v vrata USB nosilca baterije. Nato priključite drugi konec kabla na napravo. Za začetek polnjenja pritisnite in pridržite gumb za vklop/izklop, dokler indikator stopnje moči ne zasveti. Za zaustavitev polnjenja pritisnite in pridržite gumb za vklop/izklop, dokler indikator stopnje moči ne ugasne.

► **SI.5:** 1. Pokrov 2. Vrata USB

OPOMBA: Dejanski izhodni tok se razlikuje glede na napravo USB, ki se priključi.

OPOMBA: Napajanje iz baterije je vklopljeno, dokler je vklopljen gumb za vklop/izklop. Vedno izklopite stikalo, ko ne uporabljate nosilca.

OPOMBA: Ko polnite več naprav USB eno za drugo, po polnjenju ene naprave počakajte približno 10 sekund in šele nato priklopite naslednjo napravo.

VZDRŽEVANJE

OBVESTILO: Nikoli ne uporabljajte bencina, razredčila, alkohola ali podobnega sredstva. Orodje se lahko razbarva ali deformira oziroma lahko nastanejo razpoke.

OBVESTILO: Nosilca baterije ne čistite z vodo.

- Umazanijo, prah, olje, maščobo ipd. obrišite s čisto, suho krpo ali s krpo, ki jo namočite v milnico in močno ožamate.
- Napravo shranjujte na mestu, kjer ne bo zelo vroče, mrzlo ali vlažno.

VARNO in ZANESLJIVO delovanje tega izdelka bo zagotovljeno le, če boste popravila, vzdrževanje in nastavitve prepustili pooblaščenemu servisu za orodja Makita ali tovarniškemu osebju, ki vgrajuje izključno originalne nadomestne dele.

SPECIFIKIMET

Modeli	TD0000111 Mbajtësi i baterisë për kutinë e baterisë LXT	TD0000110 Mbajtësi i baterisë për kutinë e baterisë CXT
Tensioni nominal	D.C. 14,4 V D.C. 18 V	D.C. 10,8 V - 12 V maks.
Kutia e baterisë	BL1415N / BL1430B / BL1440 / BL1460B BL1815N / BL1820B / BL1830 / BL1830B / BL1840B / BL1850B / BL1860B	BL1016 / BL1021B / BL1041B
Porta USB e furnizimit me energji	D.C. 5 V, 2,4 A, Lloji A	
Përmasat (GJ x T x L)	100 mm x 78 mm x 39 mm	88 mm x 61 mm x 33 mm
Pesha neto	0,14 kg	0,09 kg

- Disa prej kutive të baterive të renditura më lart mund të mos jenë të disponueshme në varësi të zonës ku ju banoni.

⚠ PARALAJMËRIM: Përdorni vetëm kutitë e baterisë të listuara më lart. Përdorimi i kutive të tjera të baterisë mund të shkaktojë lëndim dhe/ose zjarr.

Simbolet

Disa prej simboleve të mëposhtme përdoren për produktin. Sigurohuni që merrni vesh kuptimin e tyre përpara përdorimit.



Lexoni manualin e përdorimit.



Ni-MH
Li-ion

Vetëm për shtetet e BE-së
Për shkak të pranisë së komponentëve të rezikshëm në pajisje, mbetjet e pajisjeve elektronike dhe elektrike, akumulatorët dhe bateritë, mund të kenë ndikim negativ në mjedis dhe në shëndetin e njerëzve.

Mos i hidhni pajisjet elektrike dhe elektronikë ose bateritë me mbetjet shtëpiake!
Në përputhje me Direktivën Evropiane për mbetjet e pajisjeve elektrike dhe elektronikë, akumulatorët dhe bateritë, dhe mbetjet e akumulatorëve dhe baterive, si dhe përfshirjen e saj në ligjin kombëtar, mbetjet e pajisjeve elektrike dhe elektronikë, akumulatorëve dhe baterive, duhet të mbahen veçmas dhe të dorëzohen në një pikë grumbullimi të veçantë për mbetjet komunale, duke vepruar në përputhje me rregulloret e mbrojtjes së mjedisit.

Kjo tregohet nga simboli i koshit të plehrave me kryq, të vendosur mbi pajisje.

PARALAJMËRIME
SIGURIE

⚠ PARALAJMËRIM: Përpara përdorimit, sigurohuni që të lexoni manualin e përdorimit të produktit tuaj Makita që do të përdoret me këtë pajisje.

⚠ PARALAJMËRIM: Përdorni këtë pajisje vetëm me produktet e specifikuar nga Makita. Përdorimi i pajisjes me produkte të papajtueshme mund të rezultojë në zjarr, nxehtësi të lartë, shpërthim ose rrjedhje të elektroliteve.

Siguria elektrike

- Mos e prekni kordonin dhe baterinë me duar të lagura ose me yndyrë.**
- Mos përdorni kablo USB të dëmtuara.**
- Mos e keqpërdorni kordonin. Mos e përdorni kordonin për ta transportuar, për ta tërhequr ose për ta hequr nga priza. Mbajeni kordonin larg nxehtësisë, vajit dhe anëve të mprehta.**
- Mos lini kordonë të shkëputur kur furnizohet energji nga bateria. Fëmijët e vegjël mund ta fusin në gojë spinën me energji dhe mund të shkaktohen lëndime.**
- Mos fusni gozhdë, tela ose artikuj të tjerë në portën USB të furnizimit me energji.** Duke vepruar kështu mund të shkaktohet qark i shkurtër, i cili mund të shkaktojë tym ose zjarr.
- Mos e lidhni burimin e energjisë me portën USB. Porta USB përdoret vetëm për karikimin e pajisjeve me tension të ulët. Gjithmonë vendoseni kapakun mbi portën USB kur nuk po karikoni një pajisje me tension të ulët.** Ndryshe, ekziston rreziku i zjarrit.

7. **Karikojeni vetëm me karikuesin e specifikuar nga prodhuesi. Karikuesi që është i përshtatshëm për një lloj pakete baterie mund të shkaktojë rrezik zjarrri kur përdoret me një paketë tjetër baterie.**
 8. **Përdorini pajisjet vetëm me paketat e baterisë të prodhuara posaçërisht për këtë qëllim.**
Përdorimi i paketave të tjera të baterisë mund të paraqesë rrezik lëndimi dhe zjarrri.
 9. **Kur paketa e baterisë nuk përdoret, mbajeni larg nga objektet e tjera metalike, si kapëset e letrave, monedhat, çelësat, gozhdët, vidat ose objektet e tjera metalike të vogla që mund të bëjnë lidhje nga njëri terminal tek tjetri.**
Krijimi i lidhjes së shkurtër ndërmjet terminaleve të baterisë mund të shkaktojë djegie ose zjarr.
 10. **Në kushte sforcimi mund të dalë lëng nga bateria; shmangni kontaktin. Nëse aksidentalisht ndodh kontakt, shpëlani me ujë. Nëse lëngu bie në kontakt me sytë, kërkoni edhe ndihmën e mjekut.** Lëngu i dalë nga bateria mund të shkaktojë acarim ose djegie.
 11. **Mos përdorni një bateri ose pajisjen që do të përdoret me baterinë nëse janë të dëmtuara ose të modifikuara.** Bateria ose pajisja e dëmtuar ose e modifikuar mund të shfaqë sjellje të paparashikueshme që rezultojnë në zjarr, shpërthime apo rrezik plagosjeje.
 12. **Mos e ekspozoni kutinë e baterisë në zjarr ose ndaj temperaturave ekstreme.** Ekspozimi ndaj zjarrit ose temperaturave mbi 130 °C mund të shkaktojë shpërthim.
 13. **Ndiqni të gjitha udhëzimet e karikimit dhe mos e karikoni kutinë e baterisë jashtë kufijve të temperaturës të specifikuar të udhëzimit.**
Karikimi i pasaktë ose në temperatura jashtë kufijve të specifikuar mund të dëmtojë baterinë dhe të rrisë rrezikun e zjarrit.
 14. **Shërbimi duhet të bëhet nga një person i kualifikuar për riparime, duke përdorur vetëm pjesë identike zëvendësimi.** Kjo do ta mbajë të sigurt produktin.
 15. **Mos e modifikoni apo mos u përipiqi të riparoni pajisjen ose paketën e baterisë përveçsi siç tregohet në udhëzimet e përdorimit dhe të kujdesit.**
5. **Mos bëni lidhje të shkurtër me kutinë e baterisë:**
 - (1) **Mos i prekni terminalët me materiale përcjellëse.**
 - (2) **Shmangni ruajtjen e kutisë së baterisë në një kuti me objekte të tjera metalike, si gozhdë, monedha etj.**
 - (3) **Mos e ekspozoni kutinë e baterisë në ujë ose shi.**

Qarku i shkurtër i baterisë mund të shkaktojë qarkullim të madh të rrymës elektrike, mbixehje, djegie të mundshme dhe madje prishje.
 6. **Mos e ruani dhe mos e përdorni pajisjen dhe kutinë e baterisë në vende ku temperatura mund të arrijë ose tejkalojë 50 °C (122 °F).**
 7. **Mos e digjni kutinë e baterisë, edhe nëse është shumë e dëmtuar ose është konsumuar plotësisht.** Kutia e baterisë mund të shpërthejë në zjarr.
 8. **Mos e shponi, pritni, shtypni, hidhni apo rrezoni kutinë e baterisë apo ta goditni kutinë e baterisë me një objekt të fortë.** Një sjellje e tillë mund të shkaktojë zjarr, nxehtësi të lartë ose shpërthim.
 9. **Mos përdorni bateri të dëmtuar.**
 10. **Bateritë e përfshira të litiumit, u nënshtrohen kërkesave të legjislacionit për mallrat e rrezikshme.**
Për transport tregtar p.sh. nga palë të treta, agjentët të ndërmjetëm, duhet të ndiqen kërkesa specifike mbi paketimin dhe etiketimin.
Për përgatitjen e artikullit për transport, është i nevojshëm konsultimi i një eksperti për materiale të rrezikshme. Ju lutemi, ndiqni gjithashtu rregulloret me gjasë më të detajuara vendore. Mbuloni me ngjitëse ose maskoni kontaktet e zhveshura dhe paketojeni baterinë në mënyrë të tillë që të mos lëvizë në paketim.
 11. **Kur hidhni kutinë e baterisë, hiqeni nga vegla dhe hidhni në një vend të sigurt. Zbatoni rregulloret lokale rreth hedhjes së baterisë.**
 12. **Përdorini bateritë vetëm me produktet e specifikuar nga Makita.** Instalimi i baterive në produkte të papajtueshme mund të rezultojë në zjarr, nxehtësi të lartë, shpërthim ose rrjedhje të elektroliteve.
 13. **Nëse vegla nuk përdoret për një periudhë të gjatë kohe, bateria duhet të hiqet nga vegla.**
 14. **Gjatë dhe pas përdorimit, kutia e baterisë mund të nxehet, gjë që mund të shkaktojë djegie ose djegie në temperaturë të ulët.** Tregoni kujdes gjatë manovrimit të kutive të nxehta të baterive.
 15. **Mos prekni terminalin e veglës menjëherë pas përdorimit pasi mund të nxehet aq shumë sa të shkaktojë djegie.**
 16. **Mos lejoni që grumbullimin e ashklave, pluhurave ose papastërtive në terminalët, vrimat ose kanalet e kutisë së baterisë.** Kjo mund të shkaktojë rendiment të ulët ose dëmtim të veglës ose të kutisë së baterisë.

Udhëzime të rëndësishme rreth sigurisë për kutinë e baterisë

1. **Përpara se ta përdorni kutinë e baterisë, lexoni të gjitha udhëzimet dhe shënimet e masave parandaluese të (1) ngarkuesi i baterisë, (2) bateria dhe (3) produkti që përdor baterinë.**
2. **Mos e çmontoni ose dëmtoni kutinë e baterisë.** Kjo mund të shkaktojë zjarr, nxehtësi të lartë ose shpërthim.
3. **Nëse koha e përdorimit është shkurtuar jashtë mase, ndalojeni punën menjëherë.** Kjo mund të rezultojë në rrezik mbixehjeje, djegie të mundshme, madje edhe shpërthim.
4. **Nëse ju futen elektrolitet në sy, shpëlajini sytë me ujë të pastër dhe kërkoni ndihmë mjekësore menjëherë.** Kjo gjë mund të rezultojë në humbje të shikimit.

17. Përveç kur vegla e mbështet përdorimin pranë linjave elektrike me voltazh të lartë, mos e përdorni kutinë e baterisë pranë linjave elektrike me voltazh të lartë. Kjo mund të shkaktojë një defekt ose dëmtim të veglës ose të kutisë së baterisë.
18. Mbjani baterinë larg fëmijëve.

RUAJINI KËTO UDHËZIME.

⚠️ KUAJDES: Përdorni vetëm bateri origjinale Makita. Përdorimi i baterive jo-origjinale Makita ose baterive që mund të jenë modifikuar, mund të rezultojë në marrjen flakë të baterisë, lëndime personale apo dëmtime. Kjo do të anulohet gjithashtu edhe garancinë e Makita-s për veglën e Makita-s dhe ngarkuesin.

Këshilla për të ruajtur jetëgjatësinë maksimale të baterisë

1. Ngarkojeni baterinë përpara se të shkarkohet plotësisht. Gjithmonë ndaloni punën me pajisjen dhe ngarkoni baterinë kur vëreni ulje të fuqisë së pajisjes.
2. Asnjëherë mos e ringarkoni baterinë e ngarkuar plotësisht. Mbingarkimi shkurton jetëgjatësinë e shërbimit të baterisë.
3. Ngarkojeni baterinë në temperaturën e dhomës në 10 °C - 40 °C. Lëreni kutinë e nxehtë të baterisë të ftohet përpara se ta ngarkoni atë.
4. Kur nuk e përdorni kutinë e baterisë, hiqeni atë nga vegla ose karikuesi.
5. Ngarkojeni baterinë nëse nuk e përdorni për një kohë të gjatë (mbi gjashtë muaj).

PËRSHKRIMI I PJESËVE

Ky mbajtës mund të përdoret për të ndjekur xhakatën/jelekun me ventilator dhe xhakatën/jelekun/batanijen me ngrohje Makita.

► Fig.1

Grupi	Modeli
A	Xhaketa / jeleku me ventilator: DFV210, DFJ206, DFJ207, DFJ210, DFJ211, DFJ212, DFJ213, DFJ214, DFJ216, DFJ304, DFJ305, DFJ310, DFJ311, DFJ405, DFJ407, DFJ410, DFJ411, DFJ416 Xhaketa / jeleku / batanija me ngrohje: CV102D, DCV202, CJ105D, CJ106D, DCJ205, DCJ206, CB100D, DCB200
B	Xhaketa / jeleku me ventilator: DFJ212A, DFJ213A, DFJ214A, DFJ216A, DFJ312A, DFJ416A, DFV210A, DFV214A

1. Treguesi i nivelit të fuqisë

Kur përdorni një xhakatë/jelek me ventilator, shfaqet niveli i fuqisë.

SHËNIM: Nëse përdorni xhakatë/jelek me ventilator në grupin A të listuar më lart, treguesi i nivelit të fuqisë 4 nuk do të ndizet sepse njësitë e tyre të ventilatorit përdorin kontrollin me 3 hapa.

SHËNIM: Nëse përdorni xhakatën/jelekun/batanijen me ngrohje, do të ndizet vetëm treguesi i nivelit të fuqisë 4.

2. Butoni i energjisë

Për ta ndezur, futni kutinë e baterisë dhe më pas shtypni dhe mbani shtypur butonin e energjisë derisa të ndizen dritat treguese të energjisë.

Për të ndryshuar nivelin e fuqisë së xhakatës/jelekut me ventilator, shtypni shkurtimisht butonin e energjisë kur energjia të ndizet.

Për ta fikur, shtypni dhe mbani shtypur butonin e energjisë derisa treguesi i nivelit të fuqisë të fiket.

SHËNIM: Për të ndryshuar ngrohtësinë e xhakatës/jelekut/batanijes me ngrohje, shtypni butonin e xhakatës/jelekut/batanijes me ngrohje kur të ndizet.

3. Priza e energjisë

Lidhni kabllo nga xhaketa/jeleku/batanija ose kabloja e përshtatësit.

4. Kabloja e përshtatësit për xhakatën/jelekun me ventilator (aksesor opsional)

Përdorni kabllo dhe përshtatësit kur përdorni produktet në grupin A të listuar më lart.

5. Kabloja e përshtatësit për xhakatën/jelekun/batanijen me ngrohje (aksesor opsional)

Përdorni kabllo dhe përshtatësit kur përdorni produktet në grupin A të listuar më lart.

6. Kordoni i energjisë së xhakatës/jelekut/batanijes

Për produktet në grupin A të listuar më lart, lidhni kabllo dhe përshtatshme të përshtatësit për xhakatën/jelekun me ventilator ose xhakatën/jelekun/batanijen me ngrohje.

Për produktet në grupin B të listuar më lart, lidhni me prizën e energjisë të mbajtësit të baterisë.

SHËNIM: Forma dhe vendndodhja e prizës varion sipas xhakatës/jelekut/batanijes suaj.

7. Kutia e baterisë (aksesor opsional)

Futeni në mbajtës deri në fund kutinë e baterisë, derisa të bllokohet në vend me një kërcitje të vogël.

PËRSHKRIMI I PUNËS

Instalimi ose heqja e kutisë së baterisë

▲KUJDES: Mbajeni fort mbajtësin e baterisë dhe kutinë e baterisë kur montoni ose hiqni kutinë e baterisë. Mosmbajtja fort e mbajtësit të baterisë dhe e kutisë së baterisë mund të bëjë që t'ju rrëshqasin nga duart dhe të shkaktojë dëmtim të mbajtësit të baterisë dhe të kutisë së baterisë dhe/ose lëndim personal.

▲KUJDES: Fikeni gjithmonë pajisjen përpara se të hiqni kutinë e baterisë.

- **Fig.2:** 1. Treguesi i kuq 2. Butoni 3. Kutia e baterisë 4. Mbajtësi i baterisë

Për të vendosur kutinë e baterisë, bashkërenditni gjuhëzën e kutisë së baterisë me kanalën e folesë dhe rrëshqiteni për ta futur. Futeni deri në fund kutinë e baterisë, derisa të bllokohet në vend me një kërcitje të vogël. Nëse shikoni treguesin e kuq në anën e sipërme të butonit, ajo nuk është e bllokuar plotësisht.

Për të hequr kutinë e baterisë, rrëshqiteni atë nga mbajtësi i baterisë ndërsa shtypni butonin në pjesën e përparme të kutisë së baterisë.

▲KUJDES: Vendoseni gjithnjë plotësisht kutinë e baterisë derisa treguesi i kuq të mos duket. Në të kundërt, kutia e baterisë mund të bjerë aksidentalisht nga mbajtësi i baterisë duke ju lënduar juve ose personat përreth jush.

▲KUJDES: Mos e vendosni me forcë kutinë e baterisë. Nëse kutia e baterisë nuk hyn lehtë, nuk po e futni siç duhet.

Vendosja e mbajtësit të baterisë

Mund ta varni mbajtësin e baterisë në rripin e mesit. Për të parandaluar që mbajtësi i baterisë të bjerë pa dashje, lidhni një rrip duke përdorur vrimën e rripit dhe sigurojeni atë.

- **Fig.3:** 1. Vrima e rripit

Mbajtësi i baterisë ka një funksion kundër rënies. Kur hiqni mbajtësin e baterisë nga rripin, tërhiqeni lart mbajtësin e baterisë ndërsa shtypni butonin e zhblokimit.

- **Fig.4:** 1. Butoni i zhblokimit

Lidhja e pajisjeve USB

▲KUJDES: Lidhni vetëm pajisje që janë të pajtueshme me portën USB të furnizimit me energji. Duke mos vepruar kështu mund të shkaktohet keqfunksionim i mbajtësit të baterisë.

VINI RE: Përpara lidhjes së një pajisjeje USB me mbajtësin e baterisë (me baterinë), gjithmonë rezervojini të dhënat në pajisjen USB. Duke mos vepruar kështu mund të shkaktohet humbje e të dhënave tuaja.

VINI RE: Mbajtësi i baterisë mund të furnizojë energji në disa pajisje me USB.

VINI RE: Kur nuk e përdorni ose pas karikimit, hiqni kabllo USB dhe mbyllni kapakun.

Mbajtësi i baterisë (me kutinë e baterisë) mund të veprojë si furnizim i jashtëm me energji për pajisjet me USB.

Hapni kapakun dhe lidhni një kablo USB (nuk përfshihet) me portën e USB-së të mbajtësit të baterisë. Më pas lidhni fundin tjetër të kabllos me pajisjen. Për të nisur karikimin, shtypni dhe mban shtypur butonin e energjisë derisa të ndizet treguesi i nivelit të fuqisë. Për të nisur karikimin, shtypni dhe mban shtypur butonin e energjisë derisa të fiket treguesi i nivelit të fuqisë.

- **Fig.5:** 1. Kapaku 2. Porta USB

SHËNIM: Rryma aktuale e daljes varion sipas pajisjes USB që do të lidhet.

SHËNIM: Energjia e baterisë konsumohet ndërsa butoni i energjisë është i ndezur. Gjithmonë fikeni çelësin kur nuk është në përdorim.

SHËNIM: Kur karikoni disa pajisje USB me radhë, prisni rreth 10 sekonda pas përfundimit të karikimit të pajisjes së mëparshme, përpara se të filloni të karikoni pajisjen tjetër.

MIRËMBAJTJA

VINI RE: Mos përdorni kurrë benzinë, benzinë pastrimi, hollues, alkool dhe të ngjashme. Mund të shkaktoni çngjyrosje, deformime ose krisje.

VINI RE: Mos e lani mbajtësin e baterisë me ujë.

- Fshini papastërtitë, pluhurin, vajin, yndyrën etj. në fole me një leckë të thatë të pastër ose një leckë të lagur me ujë me sapun dhe të shtrydhur mirë.
- Mbajeni pajisjen në një vend ku nuk është shumë nxehtë, ftohtë ose lagështirë.

Për të ruajtur SIGURINË dhe QËNDRUESHMËRINË, riparimet dhe çdo mirëmbajtje apo rregullim tjetër duhen kryer nga qendrat e autorizuar të shërbimit ose të shërbimit të fabrikës të Makita-s, duke përdorur gjithnjë pjesë këmbimi të Makita-s.

СПЕЦИФИКАЦИИ

Модел	TD00000111 Стойка за акумулаторни батерии за акумулаторна батерия LXT	TD00000110 Стойка за акумулаторни батерии за акумулаторна батерия CXT
Номинално напрежение	Постоянно напрежение 14,4 V Постоянно напрежение 18 V	Постоянно напрежение 10,8 V – 12 V макс.
Акумулаторна батерия	BL1415N / BL1430B / BL1440 / BL1460B BL1815N / BL1820B / BL1830 / BL1830B / BL1840B / BL1850B / BL1860B	BL1016 / BL1021B / BL1041B
USB порт за захранване	Постоянно напрежение 5 V, 2,4 A, тип A	
Размери (Д x Ш x В)	100 мм x 78 мм x 39 мм	88 мм x 61 мм x 33 мм
Нетно тегло	0,14 кг	0,09 кг

- Някои от акумулаторните батерии, посочени по-горе, може да не са налични в зависимост от региона на местоживеене.

⚠ ПРЕДУПРЕЖДЕНИЕ: Използвайте само посочените по-горе акумулаторни батерии. Използването на други акумулаторни батерии може да причини нараняване и/или пожар.

Символи

Някои от следните символи са използвани за продукта. Задължително се запознайте с техните значения, преди да пристъпите към работа.



Прочетете ръководството за експлоатация.



Ni-MH
Li-Ion

Само за страни от ЕС
Поради наличието на опасни компоненти в оборудването отпадъците от електрическо и електронно оборудване, акумулатори и батерии може да имат отрицателно въздействие върху околната среда и човешкото здраве. Не изхвърляйте електрически и електронни уреди или батерии с битовите отпадъци!
Съгласно Европейската директива за отпадъците от електрическо и електронно оборудване и акумулатори и батерии и нейното адаптиране към националното законодателство, отпадъците от електрическо и електронно оборудване, батерии и акумулатори трябва да се събират отделно и да се доставят до отделен събирателен пункт за отпадъци, функциониращ съгласно наредбите за опазване на околната среда.
Това е указано чрез символ на зачертана с кръст кофа на колелца, поставен върху оборудването.

ПРЕДУПРЕЖДЕНИЯ ЗА БЕЗОПАСНОСТ

⚠ ПРЕДУПРЕЖДЕНИЕ: Преди употреба прочетете ръководството за експлоатация на вашия продукт на Makita, който ще бъде използван с този уред.

⚠ ПРЕДУПРЕЖДЕНИЕ: Използвайте този уред само с продуктите, определени от Makita. Използването на уреда с неодобрен продукт може да предизвика пожар, прегряване, взрив или изтичане на електролит.

Електрическа безопасност

1. Не пипайте кабела и акумулатора с мокри или намаслени ръце.
2. Не използвайте повреден USB кабел.
3. Не използвайте по неправилен начин захранващия кабел. Не използвайте кабела за пренасяне, дърпане или изключване. Пазете кабела от топлина, масло и остри ръбове.
4. Не оставяйте изваден никакъв кабел, докато се подава захранване от акумулаторната батерия. Малки деца могат да поставят щекера в устата си и да получат нараняване.
5. Не вкарвайте пирони, проводници или други предмети в USB порта за захранване. Това може да предизвика късо съединение, което да доведе до отделяне на дим или до пожар.

6. Не свързвайте захранващия източник към USB порта. USB портът е предназначен само за зареждане на устройства с по-ниско напрежение. Винаги поставяйте капачката на USB порта, когато не зареждате устройствата за по-ниско напрежение. В противен случай съществува опасност от пожар.
7. Презареждайте само със зарядното устройство, което е посочено от производителя. Зарядно устройство, което е подходящо за едни акумулаторни батерии, може да създаде риск от пожар, ако се използва с други акумулаторни батерии.
8. Използвайте уреда само с акумулаторни батерии, предназначени конкретно за него. Използването на други акумулаторни батерии може да създаде риск от нараняване и пожар.
9. Когато акумулаторните батерии не се използват, ги дръжте далече от други метални предмети като кламери, монети, ключове, пирони, винтове или други дребни такива, които могат да дадат накъсо изводите им. Закъсяването на изводите на акумулаторна батерия може да предизвика изгаряния или пожар.
10. При грубо манипулиране е възможно изхвърляне на течност от батериите; избягвайте контакт с тях. При случайно докосване изплакнете с вода. Ако течност попадне в очите, потърсете допълнително и медицинска помощ. Изхвърлената от батериите течност може да предизвика възпаления или изгаряния.
11. Не използвайте батерия или уреда, който би се използвал с батерията, ако са повредени или модифицирани. Повредените или модифицирани батерия или уред може да проявяват непредвидимо поведение, което да доведе до пожар, експлозия или опасност от нараняване.
12. Не излагайте батерията на огън или прекомерна температура. Излагането на огън или температура над 130 °C може да доведе до експлозия.
13. Спазвайте всички инструкции за зареждане и не зареждайте батерията извън температурния диапазон, посочен в инструкциите. Неправилното зареждане или зареждането при температура извън посочения диапазон може да повреди батерията и да повиши опасността от пожар.
14. Сервизното обслужване трябва да се извършва от квалифициран техник, който ползва само оригинални резервни части. Така ще осигурите поддържането на безопасността на продукта.
15. Не променяйте и не опитвайте да поправяте уреда или батерията, освен според указанията в инструкциите за ползване и грижи.

Важни инструкции за безопасност за акумулаторната батерия

1. Преди да използвате акумулаторната батерия, прочетете всички инструкции и предупредителни маркировки на (1) зарядното устройство за батериите, (2) за батериите и (3) за използващия батериите продукт.
2. Не разглобявайте и не променяйте акумулаторната батерия. Това може да предизвика пожар, прегряване или взрив.
3. Ако мощността на машината намалее много, веднага спрете да работите. Това може да доведе до риск от прегряване, до възможни изгаряния и даже до експлозии.
4. Ако в очите ви попадне електролит, изплакнете ги с чиста вода и веднага потърсете лекарска помощ. Това може да доведе до загуба на зрението ви.
5. Не давайте на късо акумулаторните батерии:
 - (1) Не докосвайте клемите с проводими материали.
 - (2) Избягвайте съхраняването на акумулаторните батерии в контейнер с други метални предмети като пирони, монети и други подобни.
 - (3) Не излагайте акумулаторните батерии на вода или дъжд.
 Закъсяването на акумулаторна батерия може да доведе до протичане на много силен ток, до прегряване, до възможни изгаряния и даже до разпадане на батерията.
6. Не съхранявайте и не използвайте инструмент и акумулаторните батерии на места, където температурата може да достигне или надмине 50 °C (122 °F).
7. Не изгаряйте акумулаторните батерии даже и ако те са сериозно повредени или напълно износени. Акумулаторната батерия може да експлодира в огън.
8. Не забивайте пирони, не режете, не смачквайте, не хвърляйте, не изпускайте и не удряйте в твърд предмет акумулаторната батерия. Това поведение може да предизвика пожар, прегряване или взрив.
9. Не използвайте повредени акумулаторни батерии.
10. Съдържащите се литиево-йонни акумулаторни батерии са обект на изискванията на законодателството за опасни стоки. При търговски превози, напр. от трети страни, спедитори, трябва да се спазват специални изисквания за опаковане и етикетироване. За подготовка на артикула, който трябва да бъде изпратен, е необходима консултация с експерт по опасните материали. Моля, спазвайте и евентуално по-подробните национални разпоредби.

Залепете с лента или покрийте откритите контакти и опаковайте акумулаторната батерия по такъв начин, че да не може да се премества в опаковката.

- При изхвърляне на акумулаторната батерия я извадете от инструмента и я изхвърлете на подходящо място. Спазвайте местните разпоредби за изхвърляне на акумулаторни батерии.
- Използвайте батериите само с продуктите, определени от Makita. Поставянето на батериите към неodobрени продукти може да предизвика пожар, прегряване, взрив или изтичане на електролит.
- Ако инструментът няма да се използва продължително време, батерията трябва да се извади от него.
- По време на и след употреба акумулаторната батерия може да поеме топлина, която може да причини изгаряния или нискотемпературни изгаряния. Внимавайте, когато боравите с горещите акумулаторни батерии.
- Не докосвайте клемата на инструмента веднага след употреба, тъй като е възможно да е достатъчно нагрята, за да предизвика изгаряния.
- Не позволявайте стружки, прах или почва да полепват по клемите, отворите и каналите на акумулаторната батерия. Това може да доведе до лоши работни характеристики или повреда на инструмента или акумулаторната батерия.
- Освен ако инструментът поддържа използването в близост до високоволтови електропроводи, не използвайте акумулаторната батерия близо до високоволтови електропроводи. Това може да доведе до неизправност или повреда на инструмента или акумулаторната батерия.
- Пазете батерията от деца.

ЗАПАЗЕТЕ НАСТОЯЩИТЕ ИНСТРУКЦИИ.

⚠ ВНИМАНИЕ: Използвайте само оригинални акумулаторни батерии на Makita. При използване на различни от акумулаторните батерии на Makita или стари акумулаторни батерии може да се получи пръскане на акумулаторната батерия, което да доведе до пожар, нараняване или повреда. Това също ще анулира гаранцията на Makita за инструмента и зарядното устройство Makita.

Съвети за поддържане на максимално дълъг живот на акумулаторните батерии

- Зареждайте акумулаторните батерии, преди те да са се разредили напълно. Когато забележите, че мощността на инструмента намалява, винаги спирайте работата с инструмента и заредете акумулаторната батерия.
- Никога не презареждайте напълно заредена акумулаторна батерия. Презарядът скъсява експлоатационния живот на батерията.

- Зареждайте акумулаторната батерия при стайна температура от 10 °C – 40 °C (50 °F – 104 °F). Оставете заредените акумулаторни батерии да се охладят, преди да ги зареждате.
- Когато не използвате акумулаторната батерия, извадете я от инструмента или зарядното устройство.
- Заредете акумулаторната батерия, ако не сте го използвали дълъг период от време (повече от шест месеца).

ОПИСАНИЕ НА ЧАСТИТЕ

Тази стойка може да се използва за следните якета/жилетки с вентилатор и за якета/жилетки/одеяла с подгриване.

► Фиг.1

Група	Модел
A	<p>Яке / жилетка с вентилатор: DFV210, DFJ206, DFJ207, DFJ210, DFJ211, DFJ212, DFJ213, DFJ214, DFJ216, DFJ304, DFJ305, DFJ310, DFJ311, DFJ405, DFJ407, DFJ410, DFJ411, DFJ416</p> <p>Яке / жилетка / одеяло с подгриване: CV102D, DCV202, CJ105D, CJ106D, DCJ205, DCJ206, CB100D, DCB200</p>
B	<p>Яке / жилетка с вентилатор: DFJ212A, DFJ213A, DFJ214A, DFJ216A, DFJ312A, DFJ416A, DFV210A, DFV214A</p>

1. Индикатор за степен на мощност

Показва се степента на мощност, когато се използват яке/жилетка с вентилатор.

ЗАБЕЛЕЖКА: Ако използвате яке/жилетка с вентилатор от група А, изброени по-горе, индикаторът за степен на мощност 4 няма да свети, тъй като техните вентилаторни модули работят с 3-степенно управление.

ЗАБЕЛЕЖКА: Ако използвате яке/жилетка/одеяло с подгриване, ще свети само индикатора за степен на мощност 4.

2. Бутон за захранването

За включване поставете акумулаторната батерия и след това натиснете и задръжте бутона за захранването, докато индикаторът за степен на мощност светне.

За промяна на степента на мощност на якето/жилетката с вентилатор при включено захранване натиснете бутона на захранването за кратко. За изключване натиснете и задръжте бутона за захранването, докато индикаторът за степен на мощност угасне.

ЗАБЕЛЕЖКА: За промяна на степента на отопление на яке/жилетка/одеяло с подгриване натиснете бутона на якето/жилетката/одеялото с подгриване, когато захранването им е включено.

3. Гнездо за захранване

Свържете кабела от якето/жилетката/одеялото или кабела на адаптера.

4. Кабел на адаптер за яке/жилетка с вентилатор (допълнителна принадлежност)

Използвайте кабела на адаптера с продуктите от група А, изброени по-горе.

5. Кабел на адаптер за яке/жилетка/одеяло с подгриване (допълнителна принадлежност)

Използвайте кабела на адаптера с продуктите от група А, изброени по-горе.

6. Захранващ кабел на яке/жилетка/одеяло

За продуктите от група А, изброени по-горе, свържете подходящия кабел на адаптера за якето/жилетката с вентилатор или якето/жилетката/одеялото с подгриване.

За продуктите от група В, изброени по-горе, свържете към гнездото за захранване на стойката за акумулаторни батерии.

ЗАБЕЛЕЖКА: Формата и местоположението на гнездото са различни в зависимост от якето/жилетката/одеялото.

7. Акумулаторна батерия (допълнителен аксесоар)

Вкарайте акумулаторната батерия в стойката докрай, докато се заключи на място, при което се чува леко щракване.

ОПИСАНИЕ НА ФУНКЦИИТЕ

Поставяне или изваждане на акумулаторната батерия

ВНИМАНИЕ: Дръжте здраво стойката за акумулаторни батерии и акумулаторната батерия при поставяне или изваждане на акумулаторната батерия. Ако не държите здраво стойката за акумулаторни батерии и акумулаторната батерия, те могат да се изплъзнат от ръцете Ви, да се повредят и/или да се получи нараняване.

ВНИМАНИЕ: Винаги изключвайте устройството преди изваждане на акумулаторната батерия.

- **Фиг.2:** 1. Червен индикатор 2. Бутон
3. Акумулаторна батерия 4. Стойка за акумулаторни батерии

За да поставите акумулаторната батерия, изравнете езицето на акумулаторната батерия с жлеба в корпуса и го плъзнете на мястото му. Вкарайте акумулаторната батерия докрай, докато се заключи на място, при което се чува леко щракване. В случай че виждате червения индикатор в горната част на бутона, това означава, че тя не е фиксирана напълно на мястото си.

За да извадите акумулаторната батерия, плъзнете я навън от стойката за акумулаторни батерии, докато натискате бутона в предната ѝ част.

ВНИМАНИЕ: Винаги вмъквайте акумулаторната батерия докрай така, че червеният индикатор да се скрие. В противен случай акумулаторната батерия може да изпадне случайно от стойката за акумулаторни батерии, да Ви нарани или да нарани някого около Вас.

ВНИМАНИЕ: При поставянето на акумулаторната батерия не я насилвайте. Ако акумулаторната батерия не се плъзга лесно, то тя не е вкарана правилно.

Закрепване на стойката за акумулаторни батерии

Можете да окачите стойката за акумулаторни батерии на колана си.

За да предотвратите внезапното падане на стойката за акумулаторни батерии, закрепете колана в отвора за колан и го обезопасете.

- **Фиг.3:** 1. Отвор за колан

Стойката за акумулаторни батерии има функция срещу падане. Когато махате стойката за акумулаторни батерии от колана си, издърпайте стойката, като натискате деблокиращия бутон.

- **Фиг.4:** 1. Деблокиращ бутон

Свързване на USB устройства

ВНИМАНИЕ: Свързвайте само устройства, които са съвместими с USB порт за захранване. Ако не направите това, стойката за акумулаторни батерии може да се повреди.

БЕЛЕЖКА: Преди да свържете USB устройство към стойката за акумулаторни батерии (с батерията), винаги запазвайте резервно копие на данните в USB устройството. Ако не направите това, можете да загубите данните си.

БЕЛЕЖКА: Стойката за акумулаторни батерии може да не подава захранване към някои USB устройства.

БЕЛЕЖКА: Когато не го използвате или след зареждане, изваждате USB кабела и затворете капачето.

Стойката за акумулаторни батерии (с акумулаторната батерия) може да работи като външно захранващо устройство за USB устройства.

Отворете капачката и свържете USB кабел (не е включен) към USB порта на стойката за акумулаторни батерии. След това свържете другия край на кабела към устройството. За започване на зареждането натиснете и задръжте бутона за захранване, докато индикаторът за степен на мощност светне. За спиране на зареждането натиснете и задръжте бутона за захранване, докато индикаторът за степен на мощност угасне.

- **Фиг.5:** 1. Капак 2. USB порт

ЗАБЕЛЕЖКА: Действителният изходен ток е различен в зависимост от USB устройството, което се свързва.

ЗАБЕЛЕЖКА: Заряд на батерията се консумира, докато е включен бутонът за захранването. Винаги изключвайте превключвателя, когато не се използва.

ЗАБЕЛЕЖКА: Когато зареждате няколко USB устройства последователно, изчакайте около 10 секунди, след като зареждането на едното устройство приключи, преди да започнете да зареждате следващото.

ПОДДРЪЖКА

БЕЛЕЖКА: Не използвайте бензин, бензол, разреждател, спирт и др. подобни. Това може да причини обезцветяване, деформация или пукнатини.

БЕЛЕЖКА: Не мийте стойката за акумулаторни батерии с вода.

- Избърсвайте замърсявания, прах, масла, греси и т.н. по корпуса с чиста суха кърпа или с кърпа, напоена във вода с миещ препарат и добре изцедена.
- Дръжте устройството на място, където не е подложено на екстремна горещина, студ или влага.

За да се поддържа БЕЗОПАСНОСТТА и НАДЕЖДНОСТТА на продукта, ремонтите, поддръжката или регулирането трябва да се извършват от упълномощен сервиз или фабрични сервизни центрове на Makita, като винаги трябва да използвате резервни части от Makita.

SPECIFIKACIJE

Model	TD0000111 Držač baterije za baterijski uložak LXT	TD0000110 Držač baterije za baterijski uložak CXT
Nazivni napon	DC 14,4 V DC 18 V	DC 10,8 V – 12 V maks.
Baterijski uložak	BL1415N / BL1430B / BL1440 / BL1460B BL1815N / BL1820B / BL1830 / BL1830B / BL1840B / BL1850B / BL1860B	BL1016 / BL1021B / BL1041B
Priključak USB napajanja	DC 5 V, 2,4 A, vrsta A	
Dimenzije (D x Š x V)	100 mm x 78 mm x 39 mm	88 mm x 61 mm x 33 mm
Neto težina	0,14 kg	0,09 kg

- Neki od gore navedenih baterijskih uložaka možda neće biti dostupni ovisno o regiji u kojoj se nalazite.

⚠ UPOZORENJE: Upotrebjavajte samo navedene baterijske uloške. Upotreba bilo koje druge vrste baterijskih uložaka može prouzročiti ozljede i/ili požar.

Simboli

Neki od sljedećih simbola upotrebljavaju se za proizvod. Prije korištenja morate razumjeti njihovo značenje.



Pročitajte priručnik s uputama.



Ni-MH
Li-ion

Samo za države EU
Zbog prisutnosti opasnih komponenti u opremi, otpadna električna i elektronička oprema, akumulatori i baterije i mogu imati negativan učinak na okoliš i ljudsko zdravlje.
Nemojte odlagati električne i elektroničke uređaje ili baterije s ostalim kućanskim otpadom!
U skladu s Europskom direktivom o otpadnoj električnoj i elektroničkoj opremi, o akumulatorima i baterijama te o otpadnim akumulatorima i baterijama, i njenoj prilagodbi nacionalnim zakonima, otpadna električna oprema, baterije i akumulatori trebali bi se pohranjivati zasebno i isporučivati u odvojena sabirna mjesta za komunalni otpad, koja postupaju u skladu s uredbama o zaštiti okoliša.
To je naznačeno simbolom prekržižene kante za otpad na kotačima koja je postavljena na opremi.

SIGURNOSNA UPOZORENJA

⚠ UPOZORENJE: Prije upotrebe obavezno pročitajte priručnik s uputama za proizvod tvrtke Makita koji ćete upotrebljavati s uređajem.

⚠ UPOZORENJE: Upotrebjavajte uređaj isključivo s proizvodima koje je odobrila tvrtka Makita. Upotreba uređaja zajedno s neodgovarajućim proizvodima može dovesti do požara, prekomjerne topline, eksplozije ili curenja elektrolita.

Sigurnost električnih komponenti

1. Nemojte držati kabel i bateriju mokrim ili masnim rukama.
2. Nemojte upotrebljavati oštećen USB kabel.
3. Pažljivo postupajte s kabelom. Kabel nikada nemojte upotrebljavati za nošenje, povlačenje ili isključivanje iz struje. Kabel držite dalje od topline, ulja i oštih rubova.
4. Dok traje napajanje baterijom, nijedan kabel ne smije biti isključen. Mala djeca mogu staviti isključeni kabel u usta i tako se ozlijediti.
5. Nemojte umetati nokte, žice ili druge predmete u priključak USB napajanja. U protivnom može doći do kratkog spoja, što može prouzročiti dim ili požar.
6. Nemojte spajati izvor napajanja s USB ulazom. USB ulaz namijenjen je samo za punjenje uređaja s nižim naponom. Uvijek postavite poklopac iznad USB ulaza ako ne punite uređaj s nižim naponom. U protivnom postoji opasnost od požara.
7. Baterije punite isključivo punjačem koji preporučuje proizvođač. Punjač koji je prikladan za jednu vrstu baterija može uzrokovati opasnost od požara ako se koristi za drugu vrstu baterija.

8. **Uređaje upotrebljavajte isključivo s namjenom i propisanom vrstom baterija.** Upotreba bilo koje druge vrste baterija može prouzročiti ozljede i požar.
9. **Kad ih ne koristite, baterije držite podalje od drugih metalnih predmeta poput spajalica, kovanica, ključeva, čavala, vijaka i drugih sitnih metalnih predmeta koji mogu uzrokovati spoj između polova.** Spajanje polova baterije može uzrokovati opeklina ili požar.
10. **Pod djelovanjem sile tekućina može iscuriti iz baterije; izbjegavajte kontakt. Ako slučajno dođe do kontakta, isperite vodom. Ako tekućina dođe u dodir s očima, zatražite dodatnu liječničku pomoć.** Tekućina izbačena iz baterije može uzrokovati nadraženost ili opeklina.
11. **Bateriju ili uređaj koji će se upotrebljavati s baterijom nemojte upotrebljavati ako su oštećeni ili preinačeni.** Oštećene ili preinačene baterije ili uređaji mogu se neočekivano ponašati te prouzročiti požar, eksploziju ili ozljedu.
12. **Bateriju nemojte izlagati plamenu ili previsokoj temperaturi.** Izlaganje plamenu ili temperaturi višoj od 130 °C može prouzročiti eksploziju.
13. **Pridržavajte se svih uputa za punjenje i bateriju nemojte puniti izvan temperaturnog raspona navedenog u uputama.** Neispravno punjenje pri temperaturama izvan navedenog raspona mogu oštetiti bateriju i povećati opasnost od požara.
14. **Radio mora servisirati kvalificirana osoba, koristeći samo identične rezervne dijelove.** Na taj se način održava sigurnost proizvoda.
15. **Nemojte mijenjati niti pokušavati popraviti uređaj ili baterijski uložak osim kako je navedeno u uputama za uporabu i održavanje.**
7. **Ne spaljujte bateriju čak ni ako je ozbiljno oštećena ili potpuno istrošena. Baterija može eksplodirati u vatri.**
8. **Nemojte zabijati čavle u baterijski uložak, rezati ga, gnječiti, bacati ili udarati tvrdim predmetom.** Ti postupci mogu dovesti do požara, pretjeranog zagrijavanja ili eksplozije.
9. **Ne koristite oštećene baterije.**
10. **Sadržane litij-ionske baterije podliježu odredbama zakonskih propisa o opasnim tvarima.** Kada se radi o komercijalnom transportu koji obavljaju npr. dobavljači ili špediteri, moraju se poštovati posebni zahtjevi na pakiranju i oznakama. Prilikom pripreme isporuke takve stavke potražite savjet stručnjaka za opasne tvari. Pogledajte i moguće detaljnije nacionalne propise. Prekržite trakom ili zaštitite otvorene kontakte i bateriju zapakirajte tako da se ne može pomicati u pakiranju.
11. **Kada odlažete baterijski uložak u otpad, uklonite ga iz alata i zbrinite na sigurnom mjestu. Pridržavajte se lokalnih zakonskih propisa za zbrinjavanje baterija.**
12. **Upotrebljavajte baterije samo s proizvodima koje je odobrila tvrtka Makita.** Umetanje baterija u neprikladne proizvode može dovesti do požara, prekomjerne topline, eksplozije ili curenja elektrolita.
13. **Ako se alat ne upotrebljava dulje vrijeme, bateriju morate ukloniti iz alata.**
14. **Tijekom i nakon upotrebe baterijski uložak može se zagrijati i prouzročiti opeklina višeg ili nižeg stupnja. Pažljivo rukujte vrućim baterijskim ulošcima.**
15. **Nemojte dirati priključak alata neposredno nakon upotrebe jer se može zagrijati toliko da prouzroči opeklina.**
16. **Ne dopustite da krhotine, prašina ili zemlja zapnu u priključcima, otvorima i urezima baterijskog uloška.** To može dovesti do neispravnog rada ili kvara alata ili baterijskog uloška.
17. **Ako alat ne podržava upotrebu u blizini visokonaponskih električnih vodova, nemojte upotrebljavati baterijski uložak u blizini visokonaponskih električnih vodova.** To može dovesti do neispravnog rada ili kvara alata ili baterijskog uloška.
18. **Bateriju čuvajte podalje od djece.**

Važne sigurnosne upute za bateriju

1. **Prije uporabe baterije pročitajte sve upute i oznake upozorenja na (1) punjaču za baterije, (2) bateriji i (3) proizvodu koji koristi bateriju.**
2. **Nemojte rastavljati ili izmjenjivati baterijski uložak.** To može dovesti do požara, pretjeranog zagrijavanja ili eksplozije.
3. **Ako se vrijeme rada znatno skratilo, odmah prestanite raditi. Može doći do pregrijavanja, mogućih opeklina pa čak i eksplozije.**
4. **Ako vam elektrolit dospje u oči, isperite ih čistom vodom i odmah se obratite liječniku. Tako možete izgubiti vid.**
5. **Nemojte kratko spojati bateriju:**
 - (1) **Ne dovodite terminale u kontakt s provodljivim materijalima.**
 - (2) **Ne čuvajte bateriju u spremniku s drugim metalnim predmetima poput čavala, kovanica itd.**
 - (3) **Ne izlažite bateriju vodi ili kiši.** Kratki spoj baterije može uzrokovati velik protok struje, pregrijavanje, moguće opeklina pa čak i kvar.
6. **Ne držite i ne upotrebljavajte alat i baterijski uložak na mjestima gdje temperatura može premašiti 50 °C (122 °F).**

ČUVAJTE OVE UPUTE.

⚠OPREZ: Uvijek upotrebljavajte originalne baterije Makita. Upotreba baterija koje nisu originalne baterije Makita ili su izmijenjene može dovesti do rasprskavanja baterije i uzrokovati požar, tjelesnu ozljedu ili štetu. To će također poništiti jamstvo tvrtke Makita za alat i punjač Makita.

Savjeti za održavanje najduljeg vijeka trajanja baterije

1. **Napunite bateriju prije nego što se potpuno isprazni. Uvijek zaustavite alat i napunite bateriju kad primijetite da alat slabije radi.**
2. **Nikad ne punite već do kraja napunjenu bateriju. Pretjerano punjenje skraćuje radni vijek baterije.**
3. **Bateriju punite na sobnoj temperaturi između 10 °C i 40 °C. Vruću bateriju prije punjenja ostavite da se ohladi.**
4. **Kada ne upotrebljavate baterijski uložak, uklonite ga iz alata ili punjača.**
5. **Napunite bateriju ako je ne mislite koristiti duže vrijeme (duže od 6 mjeseci).**

OPIS DIJELOVA

Ovaj držač može se upotrebljavati za sljedeću ventiliranu jaknu/prsluk i grijanu jaknu/prsluk/deku tvrtke Makita.

► SI.1

Skupina	Model
A	Ventilirana jakna / prsluk: DFV210, DFJ206, DFJ207, DFJ210, DFJ211, DFJ212, DFJ213, DFJ214, DFJ216, DFJ304, DFJ305, DFJ310, DFJ311, DFJ405, DFJ407, DFJ410, DFJ411, DFJ416 Grijana jakna / prsluk / deka: CV102D, DCV202, CJ105D, CJ106D, DCJ205, DCJ206, CB100D, DCB200
B	Ventilirana jakna / prsluk: DFJ212A, DFJ213A, DFJ214A, DFJ216A, DFJ312A, DFJ416A, DFV210A, DFV214A

1. Indikator razine snage

Pri upotrebi ventilirane jakne/prsluka prikazuje se razina snage.

NAPOMENA: Ako upotrebljavate ventilirane jakne/prsluke prethodno navedene skupine A, indikator razine snage 4 neće svijetliti jer jedinice ventilatora imaju 3-stupanjski regulator.

NAPOMENA: Ako upotrebljavate grijanu jaknu/prsluk/deku, zasvijetlit će samo indikator razine snage 4.

2. Gumb za uključivanje

Za uključivanje umetnite baterijski uložak te pritisnite i držite gumb za uključivanje dok ne zasvijetli indikator razine snage.

Razinu snage ventilirane jakne/prsluka promijenite tako da nakratko pritisnete gumb za uključivanje kad se uključi napajanje.

Isključite tako da pritisnete i držite gumb za uključivanje dok se indikator razine snage ne isključi.

NAPOMENA: Stupanj topline grijane jakne/prsluka/deke promijenite tako da pritisnete gumb na grijanoj jakni/prsluku/deki dok je uključena u napajanje.

3. Strujna utičnica

Priključite kabel jakne/prsluka/deke ili kabel adaptera.

4. Kabel adaptera za ventiliranu jaknu/prsluk (dodatni pribor)

Kabel adaptera upotrijebite prilikom upotrebe proizvoda iz prethodno navedene skupine A.

5. Kabel adaptera za grijanu jaknu/prsluk/deku (dodatni pribor)

Kabel adaptera upotrijebite prilikom upotrebe proizvoda iz prethodno navedene skupine A.

6. Kabel za napajanje jakne/prsluka/deke

Za proizvode iz navedene skupine A priključite odgovarajući kabel adaptera za ventiliranu jaknu/prsluk ili grijanu jaknu/prsluk/deku.

Za proizvode iz navedene skupine B priključite na utičnicu držača baterije.

NAPOMENA: Oblik i položaj utičnice može se razlikovati ovisno o jakni/prsluku/deki.

7. Baterijski uložak (dodatni pribor)

Umetnite baterijski uložak u držač sasvim do kraja dok ne sjedne na mjesto uz maleni škljocaj.

FUNKCIONALNI OPIS

Umetanje ili uklanjanje baterijskog uložka

⚠OPREZ: Čvrsto držite držač baterije i baterijski uložak pri umetanju ili uklanjanju baterijskog uložka. Ako držač baterije i baterijski uložak ne držite čvrsto, mogli bi vam iskliznuti iz ruku te oštetiti držač baterije i baterijski uložak ili prouzročiti ozljede.

⚠OPREZ: Uređaj uvijek isključite prije uklanjanja baterijskog uložka.

► SI.2: 1. Crveni indikator 2. Gumb 3. Baterija 4. Držač baterije

Za umetanje baterijskog uložka poravnajte jezičac na baterijskom ulošku s torom na kućištu i gurnite ga na mjesto. Umetnite baterijski uložak skroz do kraja dok ne sjedne na mjesto uz maleni klik. Ako možete vidjeti crveni indikator na gornjoj strani gumba, baterija nije do kraja sjela na svoje mjesto.

Za uklanjanje baterijskog uložka gurnite van iz držača pritiskom na gumb s prednje strane uložka.

⚠OPREZ: Baterijski uložak uvijek umetnite do kraja, tako da se ne može vidjeti crveni indikator. U protivnom baterijski uložak može slučajno ispasti iz držača, što može dovesti do ozljeđivanja vas ili osobe koja se nalazi u blizini.

⚠OPREZ: Nemojte prisilno umetati baterijski uložak. Ako baterijski uložak ne klizne lagano, znači da nije pravilno umetnut.

Pričvršćivanje držača baterije

Držač baterije možete objesiti za remen oko struka. Kako biste spriječili nehotično ispadanje držača baterije, pričvrstite pojas pomoću rupice na pojasu i učvrstite ga.

► **SI.3:** 1. Rupica na pojasu

Držač baterije ima funkciju protiv ispadanja. Prilikom uklanjanja držača baterije s remena, povucite držač baterije prema gore dok držite pritisnutim gumb za otključavanje.

► **SI.4:** 1. Gumb za otključavanje

Priključivanje USB uređaja

⚠OPREZ: Priključujte samo uređaje koji su kompatibilni s ulazom za USB napajanje. U protivnom može doći do kvara držača baterija.

NAPOMENA: Prije priključivanja USB uređaja na držač baterija (s baterijom) uvijek napravite sigurnosne kopije podataka s USB uređaja. U protivnom može doći do gubitka podataka.

NAPOMENA: Držač baterije možda neće napajati neke USB uređaje.

NAPOMENA: Kada ga ne upotrebljavate ili nakon punjenja, uklonite USB kabel i zatvorite poklopac.

Držač baterije (s baterijskim uloškom) može raditi kao vanjsko napajanje za USB uređaje.

Otvorite poklopac i priključite USB kabel (nije priložen) na priključak USB držača baterije. Zatim na uređaj priključite drugi kraj kabela. Punjenje započnite tako da pritisnete i držite gumb za uključivanje dok ne zasvijetli indikator razine snage. Punjenje završite tako da pritisnete i držite gumb za uključivanje dok se indikator razine snage ne isključi.

► **SI.5:** 1. Poklopac 2. Priključak USB

NAPOMENA: Stvarna izlazna struja razlikuje se ovisno o USB uređaju koji se priključuje.

NAPOMENA: Napajanje baterijom aktivno je dok je gumb za uključivanje uključen. Uvijek isključite prekidač napajanja kada se proizvod ne upotrebljava.

NAPOMENA: Kada puniti više USB uređaja u nizu, pričekajte otprilike 10 sekundi nakon završetka punjenja prethodnog uređaja prije nego što počnete puniti sljedeći uređaj.

ODRŽAVANJE

NAPOMENA: Nikada nemojte koristiti benzin, mješavinu benzina, razrjeđivač, alkohol ili slično. Može doći do gubitka boje, pojave deformacija ili pukotina.

NAPOMENA: Držač baterije nemojte prati vodom.

- Obrisite prljavštinu, prašinu, ulje, masnoće i sl. s kućišta čistom suhom krpom ili krpom umočenom u sapunicu i dobro iscijedjenom.
- Uređaj držite na mjestu zaštićenom od velikih vrućina, hladnoće ili vlage.

Da biste zadržali SIGURNOST I POUZDANOST proizvoda, održavanje ili namještanja trebali biste prepustiti ovlaštenim servisnim ili tvorničkim centrima tvrtke Makita; uvijek rabite originalne rezervne dijelove.

СПЕЦИФИКАЦИИ

Модел	TD0000111 Држач за батерии за касетата за батерија LXT	TD0000110 Држач за батерии за касетата за батерија SXT
Номинален напон	D.C. 14,4 V D.C. 18 V	D.C. 10,8 V - 12 V макс.
Касета за батерија	BL1415N / BL1430B / BL1440 / BL1460B BL1815N / BL1820B / BL1830 / BL1830B / BL1840B / BL1850B / BL1860B	BL1016 / BL1021B / BL1041B
USB-порта за напојување	D.C. 5 V, 2,4 A, тип A	
Димензии (Д x Ш x В)	100 мм x 78 мм x 39 мм	88 мм x 61 мм x 33 мм
Нето тежина	0,14 кг	0,09 кг

- Некои од касетите за батерии наведени погоре може да не се достапни зависно од регионот во кој живеете.

▲ ПРЕДУПРЕДУВАЊЕ: Користете ги само касетите за батерии наведени погоре. Користењето какви било поинакви касети за батерии може да создаде ризик од повреда и/или пожар.

Симболи

За производот, се користат некои од следниве симболи. Осигурете се дека сте го разбрале нивното значење пред употребата.



Прочитајте го упатството за користење.



Ni-MH
Li-ion

Само за земјите на ЕУ
Поради присуство на опасни компоненти во опремата, отпадната електрична и електронска опрема, акумулаторите и батериите може да влијаат негативно врз животната средина и човековото здравје.
Не фрлајте ги електричните и електронските апарати или батериите во домашниот отпад!
Во согласност со Европската директива за фрлање електрична и електронска опрема, акумулатори, батерии и отпадни акумулатори и батерии, како и нивната адаптација во државниот закон, отпадната електрична опрема, батериите и акумулаторите треба да се чуваат одделно и да се достават на посебно место за собирање општински отпад, во согласност со прописите за заштита на животната средина.
Ова е означено со симболот на прекрцатана корпа за отпадоци ставен на опремата.

БЕЗБЕДНОСНИ ПРЕДУПРЕДУВАЊА

▲ ПРЕДУПРЕДУВАЊЕ: Пред употреба, прочитајте го упатството за употреба на производот од Makita што ќе се користи со овој уред.

▲ ПРЕДУПРЕДУВАЊЕ: Користете го овој уред само со производите назначени од Makita. Користењето на уредот со неусогласени производи може да резултира со пожар, прекумерна топлина, експлозија или истекување на електролитот.

Електрична безбедност

- Не ракувајте со кабелот или батеријата со влажни или мрсни раце.
- Не користете оштетен USB-кабел.
- Не злоупотребувајте го кабелот. Не користете го кабелот за носење, влечење или за исклучување. Кабелот треба да биде подалеку од топлина, масло и остри рабови.
- Не оставајте никаков кабел исклучен додека се напојува батеријата. Малите деца може да ставаат активен приклучок во устата и да предизвикаат повреда.
- Не ставајте шајки, жици или други предмети во USB-портата за напојување. Тоа може да предизвика краток спој, што може да доведе до чад или пожар.
- Не поврзувајте извор на напојување со USB-портата. USB-портата е наменета само за полнење уреди со понизок напон. Секогаш ставајте го капакот преку USB-портата кога не полните уред со низок напон. Инаку, постои опасност од пожар.

7. **Полнете само со полначот одреден од страна на производителот. Полнач што е соодветен за еден тип батерија може да создаде ризик од пожар кога се користи со друга батерија.**
8. **Користете ги уредите само со конкретно наменетите батерии. Користењето други батерии може да создаде ризик од повреда и пожар.**
9. **Кога батеријата не се користи, држете ја настрана од други метални предмети, како што се спојвалки, монети, клучеви, шрафови или други мали метални предмети што можат да послужат како врска од еден на друг приклучок. Краткиот спој на батериските приклучоци може да доведе до изгореници или пожар.**
10. **При случаи на злоупотреба, од батеријата може да истече течност. Избегнувајте контакт со неа. Ако дојде до ненамерен контакт, измијте со вода. Ако течноста дојде во допир со очите, побарајте дополнителна медицинска помош. Течноста што истекла од батеријата може да предизвика иритација или изгореници.**
11. **Не користете ги батеријата ниту уредот што треба да се користи со батеријата ако се оштетени или менувани. Оштетените или менуваните батерија или уред може да прикажуваат непредвидливо однесување што резултира со оган, експлозија или опасност од повреда.**
12. **Не изложувајте ги батериите на оган или прекумерна температура. Изложувањето на оган или температура над 130°C може да предизвика експлозија.**
13. **Следете ги сите упатства за полнење и не полнете ги батериите надвор од температурниот опсег наведен во упатството. Неправилното полнење или полнењето на температури надвор од наведениот опсег може да ја оштети батеријата и да ја зголеми опасноста од оган.**
14. **Сервисирајте кај квалификувано лице за поправки кое користи само идентични резервни делови. Ова ќе осигури дека се одржува безбедноста на производот.**
15. **Не изменувајте ги, ниту обидувајте се да ги поправате уредот или батеријата, освен како што е наведено во упатството за користење и одржување.**
3. **Ако оперативното времето станало прекумерно кратко, престанете веднаш со работа. Тоа може да резултира со ризик од прегревање, можни изгореници, па дури и експлозија.**
4. **Ако електролит навлезе во вашите очи, измијте ги со чиста вода и побарајте медицинска нега веднаш. Тоа може да резултира со губење на вашиот вид.**
5. **Не предизвикувајте спој на касетата за батеријата.**
 - (1) **Не допирајте ги контактите со никаков проводлив материјал.**
 - (2) **Избегнувајте да ја чувате касетата за батерија во сад со други метални предмети како што се шајки, монети и сл.**
 - (3) **На изложувајте ја касетата за батеријата на вода или дожд. Краткиот спој на батеријата може да предизвика голем проток на електрична енергија, прегревање, можни изгореници, па дури и пад на напојувањето.**
6. **Не складирајте и не користете ги алатот и касетата за батеријата на места каде што температурата може да достигне или надминува 50 °C (122 °F).**
7. **Не палете ја касетата за батеријата дури и кога е многу оштетена или целосно потрошена. Касетата за батеријата може да експлодира ако се стави во оган.**
8. **Не заковувајте ја, сечете ја, фрлајте ја, испуштајте ја касетата за батерија, ниту удирајте ја од тврд предмет касетата за батеријата. Таквото однесување може да резултира со оган, прекумерна топлина или експлозија.**
9. **Не користете оштетена батерија.**
10. **Содржаните батерии со литиумови јони се подложни на условите во Правилата за опасни предмети.**

За комерцијален транспорт на пр. од трети лица и посредници, мора да се следат посебните услови на пакувањата или ознаките. При подготовка на предметот кој треба да се испрати, консултирајте се со експерт за опасни материјали. Исто така, следете ги потенцијално подеталните национални правила. Залепете ги со леплива лента или маскирајте ги отворените контакти, а батеријата спакувајте ја, така што нема да се движи слободно во пакувањето.
11. **Кога ја фрлате во отпад касетата за батеријата, извадете ја од алатот и фрлете ја на безбедно место. Почитувајте ги локалните законски прописи што се однесуваат на фрлање во отпад на батеријата.**
12. **Користете ги батериите само со производителите назначени од Makita. Монтирањето батерии на неусогласените производи може да резултира со пожар, прекумерна топлина, експлозија или истекување на електролитот.**

Важни безбедносни упатства за касетата за батеријата

1. **Пред користење на касетата за батеријата, прочитајте ги сите упатства и ознаки за претпазливост на (1) полначот за батеријата, (2) батеријата и (3) производот што ја користи батеријата.**
2. **Не расклопувајте ја, ниту експериментирајте со касетата за батеријата. Тоа може да резултира со оган, прекумерна топлина или експлозија.**

13. Доколку алатот не се користи подолг временски период, батеријата мора да се извади од алатот.
14. Пред и по употребата, касетата за батеријата може да прими топлина што може да предизвика изгореници или изгореници од ниска температура. Внимавајте како ракувате со жешките касети за батерији.
15. Не допирајте го терминалот на алатот непосредно по употребата бидејќи може да се загрее доволно за да предизвика изгореници.
16. Не дозволувајте деланки, прав или земја да се заглават во терминалите, отворите и жлебовите на касетата за батерија. Тоа може да резултира со слаба изведба или пад на напојувањето на алатот или касетата за батерија.
17. Освен ако алатката не поддржува употреба на електричните далноводи со висок напон во близина, не користете ја касетата за батерија во близина на електричните далноводи со висок напон. Тоа може да резултира со дефект или пад на напојувањето на алатот или касетата за батерија.
18. Држете ја батеријата подалеку од деца.

ЧУВАЈТЕ ГО УПАТСТВОТО.

⚠ВАЖНО: Користете само оригинални батерији на Makita. Користењето неоригинални батерији на Makita или батерији што се изменети може да резултира со распакување на батеријата, предизвикувајќи пожар, телесна повреда и оштетување. Тоа исто така ќе ја поништи гаранцијата на Makita за алатот и полначот на Makita.

Совети за одржување максимален работен век на батеријата

1. Заменете ја касетата за батеријата пред целосно да се испразни. Секогаш запирајте ја работата со алатот и заменете ја касетата за батеријата кога ќе забележите дека алатот дава помала моќност.
2. Никогаш немојте да полните целосно полна касета за батерија. Прекумерното полнење го скратува работниот век на батеријата.
3. Полнете ја касетата за батеријата на собна температура од 10°C - 40°C. Дозволете загреаната касета за батерија да се олади пред да ја ставите на полнење.
4. Кога не ја користите касетата за батерија, извадете ја алатот или полначот.
5. Полнете ја касетата за батеријата доколку не ја користите подолго време (повеќе од шест месеци).

ОПИС НА ДЕЛОВИТЕ

Овој држач може да се користи за следниве јакна/елек со вентилатор и загреана јакна/елек/кебе од Makita.

► Сл.1

Група	Модел
A	Јакна/елек со вентилатор: DFV210, DFJ206, DFJ207, DFJ210, DFJ211, DFJ212, DFJ213, DFJ214, DFJ216, DFJ304, DFJ305, DFJ310, DFJ311, DFJ405, DFJ407, DFJ410, DFJ411, DFJ416 Загреана јакна/елек/кебе: CV102D, DCV202, CJ105D, CJ106D, DCJ205, DCJ206, CB100D, DCB200
B	Јакна/елек со вентилатор: DFJ212A, DFJ213A, DFJ214A, DFJ216A, DFJ312A, DFJ416A, DFV210A, DFV214A

1. Индикатор за нивото на напојувањето

Кога користите јакна/елек со вентилатор, се прикажува нивото на напојувањето.

НАПОМЕНА: Доколку користите јакни/елеци со вентилатор во групата A наведена погоре, индикаторот за нивото на напојувањето 4 нема да светне бидејќи нивните вентилатори употребуваат контрола во 3 чекори.

НАПОМЕНА: Доколку користите загреана јакна/елек/кебе, ќе светне само индикаторот за нивото на напојувањето 4.

2. Копче за напојување

За вклучување, вметнете ја касетата за батеријата и потоа притиснете го и задржете го копчето за напојување додека не светне индикаторот за нивото на напојувањето.

За промена нивото на напојувањето на јакната/елекот со вентилатор, кратко притиснете го копчето за напојување кога напојувањето е вклучено. За исклучување, притиснете го и задржете го копчето за напојување додека индикаторот за нивото на напојувањето не се исклучи.

НАПОМЕНА: За промена на топлината на загреаната јакна/елек/кебе, притиснете го копчето на загреаната јакна/елек/кебе кога се напојува.

3. Штекер за напојување

Поврзете го кабелот од загреаната јакна/елек/кебе или кабелот на адаптерот.

4. Кабел на адаптерот за јакна/елек со вентилатор (изборен додаток)

Користете кабел на адаптерот кога ги користите производитите во групата A наведена погоре.

5. Кабел на адаптерот за загреана јакна/елек/кебе (изборен додаток)

Користете кабел на адаптерот кога ги користите производитите во групата A наведена погоре.

6. Кабел за напојување на јакната/елекот/кебето

За производите во групата А наведени погоре, поврзете го соодветниот кабел на адаптерот за јакната/елекот со вентилатор или загреаната јакна/елек/кебе.

За производите во групата В наведени погоре, поврзете го штекерот за напојување на држачот за батерији.

НАПОМЕНА: Обликот и локацијата на штекерот се разликуваат, зависно од јакната/елекот/кебето.

7. Касета за батерија (изборен додаток)

Вметнете ја касетата за батеријата до крај додека не се блокира во место при што ќе се слушне мало кликување.

ОПИС НА ФУНКЦИИТЕ

Монтирање или отстранување на касетата за батерија

▲ВНИМАНИЕ: Држете ги држачот за батерији и касетата за батерија цврсто кога ја монтирате или отстранувате касетата за батерија. Ако не ги држите цврсто држачот за батерији и касетата за батерија, тие може да се лизнат од вашите раце и да дојде до нивно оштетување, како и до телесна повреда.

▲ВНИМАНИЕ: Секогаш исклучувајте го уредот пред да ја отстраните касетата за батеријата.

► **Сл.2:** 1. Црвен индикатор 2. Копче 3. Касета за батерија 4. Држач за батерији

За монтирање на касетата за батерија, порамнете го јазичето на касетата со жлебот во куќиштето и лизнете го во место. Секогаш вметнувајте ја касетата за батерија до крај додека не се блокира во место при што ќе се слушне мало кликување. Ако можете да го видите црвениот индикатор на горната страна од копчето, тоа значи дека не е целосно блокирана во место.

За да ја извадите касетата за батерија, повлечете ја од држачот за батерији додека го притискате копчето на предната страна на касетата.

▲ВНИМАНИЕ: Секогаш монтирајте ја касетата за батерија целосно додека црвениот индикатор не се изгасне. Во спротивно, касетата за батерија може случајно да испадне од држачот за батерији, со тоа предизвикувајќи повреда вам или некому околу вас.

▲ВНИМАНИЕ: Немојте да ја монтирате касетата за батерија на сила. Ако касетата за батерија не може да се лизне лесно, тоа значи дека не е поставена правилно.

Закачување на држачот за батерији

Држачот за батерији може да го закачите на каишот. За да се спречи случајното паѓање на држачот за батерији, закачете лента користејќи го отворот за ленти и обезбедете го.

► **Сл.3:** 1. Отвор за ленти

Држачот за батерији има функција што спречува паѓање. Кога го отстранувате држачот за батерији од каишот, повлечете го нагоре додека го притискате копчето за одблокирање.

► **Сл.4:** 1. Копче за одблокирање

Поврзување USB-уреди

▲ВНИМАНИЕ: Поврзувајте само уреди што се компатибилни со USB-портата за напојување. Во спротивно, може да дојде до дефект на држачот за батерији.

ЗАБЕЛЕШКА: Пред поврзување на USB-уредот со држачот за батерији (со батеријата), секогаш правете резервна копија на податоците на USB-уредот. Во спротивно, може да дојде до губење на податоците.

ЗАБЕЛЕШКА: Држачот за батерији може да не испорачува енергија на некои USB-уреди.

ЗАБЕЛЕШКА: Кога не се користи или по полнење, отстранете го USB-кабелот и затворете го капакот.

Држачот за батерији (со касетата за батерија) може да работи како надворешно напојување за USB-уредите.

Отворете го капакот и поврзете го USB-кабелот (не е вклучен) со USB-портата на држачот за батерији. Поврзете го другиот крај на кабелот со уредот. За да започнете со полнење, притиснете го и задржете го копчето за напојување додека не се вклучи индикаторот за нивото на напојувањето. За да запрете со напојувањето, притиснете го и задржете го копчето за напојување додека не се исклучи индикаторот за нивото на напојувањето.

► **Сл.5:** 1. Капак 2. USB-порта

НАПОМЕНА: Вистинската излезна струја се разликува, зависно од USB-уредот што треба да се поврзе.

НАПОМЕНА: Енергијата на батеријата се троши додека копчето за напојување е вклучено. Секогаш исклучувајте го прекинувачот кога не се користи.

НАПОМЕНА: Кога се полнат повеќе USB-уреди во низа, почекајте околу 10 секунди откако полнењето на претходниот уред завршило пред да започнете со полнење на следниот уред.

ОДРЖУВАЊЕ

ЗАБЕЛЕШКА: За чистење, не користете нафта, бензин, разредувач, алкохол или слично. Тие средства ја вадат бојата и може да предизвикаат деформации или пукнатини.

ЗАБЕЛЕШКА: Не мијте го држачот за батерии со вода.

- Избришете ги нечистотијата, правот, маслото, маснотијата итн. на кукиштето со сува крпа или потопена во сапуница и добро исцедена.
- Чувајте го уредот на место на кое нема да биде екстремно жешко, студено ниту влажно.

За да се одржи БЕЗБЕДНОСТА и СИГУРНОСТА на производот, поправките, одржувањата или дотерувањата треба да се вршат во овластени сервисни или фабрички центри на Makita, секогаш со резервни делови од Makita.

ТЕХНИЧКИ ПОДАЦИ

Модел	TD0000111 Држач батерије за LXT уложак батерије	TD0000110 Држач батерије за СХТ уложак батерије
Номинални напон	DC 14,4 V DC 18 V	DC 10,8 V – 12 V макс.
Уложак батерије	BL1415N / BL1430B / BL1440 / BL1460B BL1815N / BL1820B / BL1830 / BL1830B / BL1840B / BL1850B / BL1860B	BL1016 / BL1021B / BL1041B
USB прикључак за напајање	DC 5 V, 2,4 A, тип А	
Димензије (Д x Ш x В)	100 мм x 78 мм x 39 мм	88 мм x 61 мм x 33 мм
Нето тежина	0,14 кг	0,09 кг

- Неки горенаведени улошци батерија можда неће бити доступни у зависности од места становања.

▲УПОЗОРЕЊЕ: Користите само горенаведене улошке батерије. Коришћење других уложака батерије може довести до повреде и/или пожара.

Симболи

Неки од следећих симбола се налазе на етикети производа. Пре употребе се обавезно упознајте са њиховим значењем.



Прочитајте упутство за употребу.



Само за земље ЕУ

Због присуства штетних компонента у опреми, отпад од електричне и електронске опреме, акумулатора и батерија, може да има негативан утицај на животну средину и здравље људи. Не одлажите електричне и електронске уређаје или батерије са кућним отпадом! У складу са европском директивом о отпаду од електричне и електронске опреме и о акумулаторима и батеријама и отпаду од акумулатора и батерија, као и њеном прилагођавању националном закону, отпад од електричне и електронске опреме, батерија и акумулатора мора да се прикупи одвојено и достави одвојеном сабиралишту за комунални отпад који ради у складу са прописима о заштити животне средине. То означава симбол прецртане канте за смеће на опреми.

БЕЗБЕДНОСНА УПОЗОРЕЊА

▲УПОЗОРЕЊЕ: Пре употребе обавезно прочитајте упутство за употребу за Makita производ који ћете користити са овим апаратом.

▲УПОЗОРЕЊЕ: Овај апарат користите само са производима које је навела компанија Makita. Коришћење апарата са производима који нису усаглашени може да доведе до пожара, прекомерне топлоте, експлозије или цурења електролита.

Заштита од струје

1. Не рукујте каблом и батеријом мокрим или масним рукама.
2. Немојте користити оштећени USB кабл.
3. Немојте да злоупотребљавате кабл. Немојте никада да користите кабл за ношење, повлачење и искључивање. Држите кабл подале од извора топлоте, масноћа и оштрих ивица.
4. Не искључујте каблове док се батерија напаја електричном енергијом. Мала деца могу да ставе утикач под напонам у уста и да се повреде.
5. Не гурајте ексере, жице ни друге предмете у USB прикључак за напајање. У супротном, може да дође до кратког споја, који може да изазове дим или пожар.
6. Не прикључујте изворе напајања у USB прикључак. USB је намењен искључиво за пуњење нисконапонских уређаја. Обавезно ставите поклопац на USB прикључак када се не користи за пуњење нисконапонског уређаја. У супротном, може да настане ризик од пожара.

7. Пуните батерију искључиво помоћу пуњача који је навео произвођач. Ако се пуњач који је намењен за одређену врсту батерије користи са другом батеријом, може да дође до опасности од пожара.
 8. Апарате користите искључиво са одговарајућим батеријама. Коришћење других врста батерија може да изазове ризик од повреде и пожара.
 9. Када се батерија не користи, држите је даље од других металних предмета, попут спајалица, новчића, кључева, ексера, завртања и других малих металних предмета који могу да пресоје два прикључка. Кратак спој између прикључака батерије може да доведе до опекотина или пожара.
 10. У случају злоупотребе батерије из ње може исцурити течност. У том случају, пазите да не дођете у додир с њом. Ако случајно дођете у додир с батеријом, исперите место додира водом. Ако течност доспе у очи, потражите и помоћ лекара. Течност која исцури из батерије може да изазове иритацију или опекотине.
 11. Немојте да користите батерију или апарат који се користи са батеријом ако су оштећени или модификовани. Оштећена или модификована батерија или апарат могу довести до непредвидивих ситуација као што су пожар, експлозија или ризик од задобијања повреда.
 12. Немојте да излажете батерију ватри или високој температури. Излагање ватри или температури изнад 130 °C може довести до експлозије.
 13. Придржавајте се свих упутстава за пуњење и немојте да пуните батерију изнад опсега температуре који је наведен у упутствима. Неисправно пуњење или пуњење на температурама изнад наведеног опсега може оштетити батерију и повећати ризик од пожара.
 14. Сервисирање треба да обави квалификована особа која ће користити само идентичне резервне делове. То ће омогућити безбедно коришћење производа.
 15. Немојте да модификујете или покушавате да поправите апарат или батерију осим на начин назначен у упутству за употребу и одржавање.
4. Ако електролит доспе у очи, исперите их чистом водом и одмах затражите помоћ лекара. То може да доведе до губитка вида.
 5. Немојте да изазивате кратак спој улошка батерије:
 - (1) Немојте додиривати прикључке било којим проводним материјалом.
 - (2) Избегавајте складиштење улошка батерије у кутији са другим металним предметима као што ексери, новчићи итд.
 - (3) Немојте да излажете уложак батерије води или киши.
 Кратак спој батерије може да доведе до великог протока струје, прегревања, могућих опекотина, па чак и прегоревања.
 6. Немојте да складиштите и користите алат и уложак батерије на местима где температура може да достигне или премаше 50 °C (122 °F).
 7. Немојте да палите уложак батерије чак ни када је озбиљно оштећен или потпуно похабан. Уложак батерије може да експлодира у ватри.
 8. Немојте да закивате, сечете, ломите, бацате или испуштате уложак батерије, или да њиме ударате по чврстој површини. На тај начин можете да изазовете пожар, прекомерно загревање или експлозију.
 9. Немојте да користите оштећену батерију.
 10. Садржане литијум-јонске батерије подлежу Закону о превозу опасних материја. Приликом комерцијалног превоза, нпр. од стране трећих лица и превозника, мора се обратити посебна пажња на специјалне захтеве паковања и обележавања. Приликом припреме материјала за превоз, потребно је саветовати се са стручњаком за опасне материје. Такође обратите пажњу на евентуалне даље националне прописе. Омотајте траком или прекријте отворене контакте и запакујте батерију тако да се не може померати унутар паковања.
 11. Када одлажете уложак батерије на отпад, извадите га из алата и одложите на безбедно место. Придржавајте се локалних прописа у вези са одлагањем батерије.
 12. Батерије користите само са производима које је навела компанија Makita. Постављање батерије на производе који нису усаглашени може да доведе до пожара, прекомерне топлоте, експлозије или цурења електролита.
 13. Ако се алат не користи током дужег периода, батерија мора да се извади из алата.
 14. Током и након коришћења, уложак батерије може да акумулира толико топлоте да то може довести до опекотина, уобичајених и нискотемпературних. Пажљиво рукујте врућим улошцима батерије.
 15. Не додирујте контакте алата одмах након коришћења јер су можда толико врући да могу да изазову опекотине.

Важна безбедносна упутства која се односе на уложак батерије

1. Пре употребе улошка батерије, прочитајте сва упутства и безбедносне ознаке на (1) пуњачу батерије, (2) батерији и (3) производу који користи батерију.
2. Не растављајте и не модификујте уложак батерије. Тиме можете да изазовете пожар, прекомерно загревање или експлозију.
3. Ако се време рада знатно скратило, одмах престаните са коришћењем. То може да доведе до ризика од прегревања, могућих опекотина, па чак и експлозије.

16. **Водите рачуна да се струготина, прашина или земља не заглаве у контактима, рупицама и жлебовима улошка батерије.** У супротном може доћи до лошег учинка или прегоревања алата или улошка батерије.
17. **Осим ако алат то не подржава, немојте да користите уложак батерије близу високонапонских разводних линија електричне струје.** У супротном може доћи до квара или прегоревања алата или улошка батерије.
18. **Држите батерију ван домаћаја деце.**

САЧУВАЈТЕ ОВО УПУТСТВО.

▲ ПАЖЊА: Користите само оригиналне Makita батерије. Коришћење Makita батерија које нису оригиналне или батерија које су измењене може да доведе до пуцања батерије, које може да изазове пожар, телесне повреде или штету. То ће такође поништити гаранцију компаније Makita за Makita алат и пуњач.

Савети за максимално трајање батерије

1. **Напуните уложак батерије пре него што се потпуно испразни.** Сваки пут прекините рад са алатом и напуните уложак батерије када приметите да је снага алата слабија.
2. **Никада немојте да поново пуните потпуно напуњени уложак батерије.** Препуњавање скраћује радни век батерије.
3. **Пуните уложак батерије на собној температури између 10°C и 40°C (између 50°F и 104°F).** Сачекајте да се врући уложак батерије охлади пре пуњења.
4. **Када не користите уложак батерије, извадите га из алата или пуњача.**
5. **Напуните уложак батерије ако га нећете користити дуже време (више од шест месеци).**

ОПИС ДЕЛОВА

Овај држач може да се користи за следећу Makita јакну/прслук са вентилаторима и јакну/прслук/ћебе са грејачима.

► Слика 1

Група	Модел
А	Јакна / прслук са вентилаторима: DFV210, DFJ206, DFJ207, DFJ210, DFJ211, DFJ212, DFJ213, DFJ214, DFJ216, DFJ304, DFJ305, DFJ310, DFJ311, DFJ405, DFJ407, DFJ410, DFJ411, DFJ416 Јакна / прслук / ћебе са грејачима: CV102D, DCV202, CJ105D, CJ106D, DCJ205, DCJ206, CB100D, DCB200
Б	Јакна / прслук са вентилаторима: DFJ212A, DFJ213A, DFJ214A, DFJ216A, DFJ312A, DFJ416A, DFV210A, DFV214A

1. Индикатор нивоа снаге

Када користите јакну/прслук са вентилаторима, приказује се ниво снаге.

НАПОМЕНА: Ако користите јакне/прслуке са вентилаторима из горенаведене групе А, индикатор нивоа снаге 4 се неће укључити јер су њихови вентилатори опремљени са функцијом контроле у 3 корака.

НАПОМЕНА: Ако користите јакну/прслук/ћебе са грејачима, упалиће се само индикатор нова снаге 4.

2. Дугме за напајање

За укључивање, поставите уложак батерије, а затим притисните и држите дугме за напајање док се индикатор нивоа снаге не укључи.

Да бисте променили ниво снаге јакне/прслука са вентилаторима, кратко притисните дугме за напајање након укључивања напајања.

За искључивање, притисните и држите дугме за напајање док се индикатор нивоа снаге не искључи.

НАПОМЕНА: Да бисте променили топлоту јакне/прслука/ћебе са грејачима, притисните дугме на јакни/прслуку/ћебету са грејачима када се напаја струјом.

3. Утичница

Прикључите кабл са јакне/прслука/ћебе или кабл адаптера.

4. Кабл адаптера за јакну/прслук са вентилаторима (опциони прибор)

Користите кабл адаптера када користите горенаведене производе из групе А.

5. Кабл адаптера за јакну/прслук/ћебе са грејачима (опциони прибор)

Користите кабл адаптера када користите горенаведене производе из групе А.

6. Електрични кабл јакне/прслука/ћебе

За горенаведене производе из групе А, прикључите одговарајући кабл адаптера за јакну/прслук са вентилаторима или јакну/прслук/ћебе са грејачима.

За горенаведене производе из групе Б, прикључите на утичницу држача батерије.

НАПОМЕНА: Облик и место утичнице зависи од јакне/прслука/ћебе.

7. Уложак батерије (опциони прибор)

Поставите уложак батерије у држач целом дужином тако да се закључа у лежишту и шклоцне.

ОПИС НАЧИНА ФУНКЦИОНИСАЊА

Постављање и скидање улошка батерије

▲ ПАЗЊА: Држите чврсто држач батерије и уложак батерије када постављате или скидате уложак батерије. Ако држач батерије и уложак батерије не будете држали чврсто, могу вам исклизнути из руку, оштетити се при паду и/или вас повредити.

▲ ПАЗЊА: Увек искључите уређај пре уклањања улошка батерије.

► **Слика2:** 1. Црвени индикатор 2. Дугме 3. Уложак батерије 4. Држач батерије

Да бисте поставили уложак батерије, поравнајте језичак на њему са жлебом на кућишту и гурните га на место. Поставите уложак батерије целом дужином тако да се закључа у лежишту и шкљоцне. Ако видите црвени индикатор на горњој страни дугмета, то значи да уложак батерије није потпуно закључан.

Да бисте извадили уложак батерије, клизањем га извучите из држача батерије док држите притиснутим дугме на предњој страни улошка.

▲ ПАЗЊА: Увек до краја гурните уложак батерије тако да се црвени индикатор не види. У супротном, уложак батерије може случајно да испадне из држача батерије, изазивајући повреду вас или особе у вашој близини.

▲ ПАЗЊА: Немојте на силу да гурате уложак батерије. Ако уложак батерије не можете лако да гурнете, то значи да га не постављате правилно.

Постављање држача батерије

Држач батерије можете да окачите себи око каиша. Да држач батерије не би случајно пао, провучите каиш кроз његову рупу за каиш и причврстите га.

► **Слика3:** 1. Рупа за каиш

Једна од функција држача батерије је да спречи пад. Ако желите да скинете држач батерије са каиша, повуците држач батерије навнеше док држите притиснутим дугме за откључавање.

► **Слика4:** 1. Дугме за откључавање

Повезивање USB уређаја

▲ ПАЗЊА: Повезујте искључиво уређаје компатибилне са USB прикључком за напајање. У супротном, може да дође до квара држача батерије.

ОБАВЕШТЕЊЕ: Пре повезивања USB уређаја са држачем батерије (са батеријом у себи) обавезно направите резервну копију података са USB уређаја. У супротном, може да дође до губитка података.

ОБАВЕШТЕЊЕ: Држач батерије није у стању да напаја поједине USB уређаје.

ОБАВЕШТЕЊЕ: Уклоните USB кабл и затворите поклопац када га не користите и после пуњења.

Држач батерије (са улошком батерије) може да служи као спољни извор напајања USB уређаја.

Отворите поклопац и прикључите USB кабл (купује се засебно) у USB прикључак на држачу батерије. Затим прикључите други крај кабла у уређај. Да бисте покренули пуњење, притисните и држите дугме за напајање док се не укључи индикатор нивоа снаге. Да бисте зауставили пуњење, притисните и држите дугме за напајање док се не искључи индикатор нивоа снаге.

► **Слика5:** 1. Поклопац 2. USB прикључак

НАПОМЕНА: Стварна излазна струја зависи од USB уређаја који се прикључује.

НАПОМЕНА: Батерија се троши док је дугме за напајање укључено. Увек искључите прекидач када се не користи.

НАПОМЕНА: Када пуните више USB уређаја један за другим, сачекајте око 10 секунди након пуњења претходног уређаја пре него што почнете да пуните наредни уређај.

ОДРЖАВАЊЕ

ОБАВЕШТЕЊЕ: Никад немојте да користите нафту, бензин, разређивач, алкохол и слична средства. Може доћи до губитка боје, деформације или оштећења.

ОБАВЕШТЕЊЕ: Немојте прати држач батерије водом.

- Обришите прљавштину, прашину, уље, мазиво и сл. на кућишту сувом и чистом крпом или крпом коју сте натопили сапуницом и добро исцедили.
- Чувајте апарат на месту које није изузетно топло, хладно или влажно.

БЕЗБЕДАН и ПОУЗДАН рад алата гарантујемо само ако поправке, свако друго одржавање или подешавање, препустите овлашћеном сервису компаније Makita или фабричком сервису, уз употребу оригиналних резервних делова компаније Makita.

SPECIFICAȚII

Model	TD0000111 Suportul acumulatorului pentru cartușul acumulatorului LXT	TD0000110 Suportul acumulatorului pentru cartușul acumulatorului CXT
Tensiune nominală	14,4 V cc. 18 V cc.	10,8 V - 12 V c.c. max.
Cartușul acumulatorului	BL1415N / BL1430B / BL1440 / BL1460B BL1815N / BL1820B / BL1830 / BL1830B / BL1840B / BL1850B / BL1860B	BL1016 / BL1021B / BL1041B
Port sursă de alimentare USB	5 V cc., 2,4 A, Tip A	
Dimensiuni (L x l x Î)	100 mm x 78 mm x 39 mm	88 mm x 61 mm x 33 mm
Greutate netă	0,14 kg	0,09 kg

- Este posibil ca unele cartușe ale acumulatorilor menționate mai sus să nu fie disponibile în funcție de regiunea dvs. de reședință.

⚠️ AVERTIZARE: Utilizați numai cartușele de acumulator enumerate mai sus. Utilizarea oricărui altor cartușe de acumulator poate duce la rănire și/sau incendiu.

Simboluri

Sunt folosite unele dintre următoarele simboluri pentru produs. Asigurați-vă că înțelegeți sensul acestora înainte de utilizare.



Citiți manualul de utilizare.



Ni-MH
Li-Ion

Doar pentru țările din cadrul UE
Din cauza prezenței componentelor periculoase în echipament, deșeurile de echipamente electrice și electronice, acumulatorii și bateriile pot avea un efect negativ asupra mediului și sănătății umane.
Nu eliminați aparatele electrice și electronice sau bateriile împreună cu gunoierul menajer!

În conformitate cu Directiva europeană privind deșeurile de echipamente electrice și electronice, acumulatorii, bateriile și deșeurile de acumulatori și baterii, precum și cu adaptarea sa în legislația națională, deșeurile de echipamente electrice, de baterii și de acumulatori trebuie depozitate separat și eliminate la un centru de colectare separat pentru deșeurile municipale, care respectă reglementările privind protecția mediului.
Acest lucru este indicat prin simbolul care reprezintă o pubeză cu roți baratăă cu o cruce, aplicat pe echipament.

AVERTIZĂRI DE SIGURANȚĂ

⚠️ AVERTIZARE: Înainte de utilizare, citiți manualul de instrucțiuni al produsului Makita pe care îl veți utiliza cu acest aparat.

⚠️ AVERTIZARE: Utilizați acest aparat numai cu produsele specificate de Makita. Utilizarea aparatului cu produse neconforme poate cauza incendii, căldură excesivă, explozii sau scurgeri de electrolit.

Siguranța electrică

1. Nu manipulați cablul și acumulatorul cu mâini ude sau murdare de substanțe uleioase.
2. Nu utilizați un cablu USB deteriorat.
3. Nu forțați cablul de alimentare. Nu utilizați cablul pentru transportare, tragere sau deconectare. Feriți cablul de căldură, uleiuri sau muchii ascuțite.
4. Nu lăsați niciun cablu deconectat în timp ce se furnizează electricitate de la acumulator. Copiii mici pot introduce fișa aflată sub tensiune în gură, ceea ce îi poate răni.
5. Nu introduceți cuie, cabluri sau alte obiecte în portul de alimentare USB. Acest lucru poate provoca scurtcircuite, ce pot cauza fum sau incendii.
6. Nu conectați sursa de alimentare la portul USB. Portul USB este prevăzut numai pentru încărcarea dispozitivelor de joasă tensiune. Întotdeauna puneți capacul peste portul USB atunci când nu încărcați un dispozitiv de joasă tensiune. În caz contrar, există risc de incendiu.

7. Efectuați reîncărcarea numai cu încărcătorul specificat de producător. Un încărcător adecvat pentru un anumit tip de acumulator poate prezenta risc de incendiu dacă este utilizat cu alt tip de acumulator.
 8. Folosiți aparatele numai cu grupurile de baterii special destinate acestora. Utilizarea altor grupuri de baterii poate prezenta risc de rănire și de incendiu.
 9. Când nu folosiți cartușul de acumulatori, țineți-l la distanță de obiecte metalice precum agrafe de birou, monede, chei, cuie, șuruburi sau alte obiecte metalice mici, ce pot constitui o legătură între cele două borne. Scurtcircuitarea bornelor acumulatorului poate provoca arsuri sau incendii.
 10. În condiții extreme, lichidul poate fi eliminat din acumulator; evitați contactul cu acesta. Dacă intrați în contact accidental, clătiți bine cu apă zona afectată. Dacă lichidul intră în contact cu ochii, consultați și un medic. Lichidul eliminat din acumulator poate provoca iritații sau arsuri.
 11. Nu utilizați acumulatorul sau aparatul care trebuie utilizat cu acumulatorul dacă este deteriorat sau a fost modificat. Acumulatorii sau aparatele deteriorate sau modificate pot prezenta un comportament imprevizibil, ce poate cauza incendii, explozii sau risc de rănire.
 12. Nu expuneți un grup de baterii la foc sau la temperaturi excesive. Expunerea la foc sau la temperaturi mai mari de 130 °C poate cauza explozii.
 13. Urmați toate instrucțiunile de încărcare și nu încărcați grupul de baterii la temperaturi care nu se încadrează în intervalul specificat în instrucțiuni. Încărcarea incorectă sau la temperaturi care nu se încadrează în intervalul specificat poate cauza deteriorarea acumulatorului și creșterea riscului de incendiu.
 14. Reparațiile trebuie efectuate de o persoană calificată, folosind doar piese de schimb identice. Aceasta va asigura menținerea siguranței produsului.
 15. Nu modificați și nu încercați să reparați aparatul sau grupul de baterii decât în conformitate cu instrucțiunile de utilizare și întreținere.
4. Dacă electrolitul pătrunde în ochi, clătiți bine ochii cu apă curată și consultați imediat un medic. Există risc de orbire.
 5. Nu scurtcircuitați cartușul acumulatorului:
 - (1) Nu atingeți bornele cu niciun material conductor.
 - (2) Evitați depozitarea cartușului acumulatorului la un loc cu alte obiecte metalice cum ar fi cuie, monede etc.
 - (3) Nu expuneți cartușul acumulatorului la apă sau ploaie.
 Un scurtcircuit al acumulatorului poate provoca un flux puternic de curent electric, supraîncălzire, posibile arsuri și chiar defectarea mașinii.
 6. Nu depozitați și nu utilizați mașina și cartușul acumulatorului în locuri în care temperatura poate atinge sau depăși 50 °C (122 °F).
 7. Nu incinerati cartușul acumulatorului chiar dacă acesta este grav deteriorat sau complet uzat. Cartușul acumulatorului poate exploda în foc.
 8. Nu introduceți cuie în cartușul acumulatorului, nu îl tăiați, striviți, aruncați sau scăpați și nu îl loviți cu un obiect dur. Astfel de acțiuni pot provoca incendii, căldură excesivă sau explozii.
 9. Nu utilizați un acumulator deteriorat.
 10. Acumulatorii Li-Ion încorporați se supun cerințelor Legislației privind substanțele periculoase. Pentru transporturi comerciale, efectuate de exemplu de către părți terțe, expeditori, trebuie respectate cerințele speciale de ambalare și etichetare. Pentru pregătirea articolului care urmează să fie expedit, este necesară consultarea unui expert în materiale periculoase. Vă rugăm să respectați, de asemenea, reglementările naționale, care pot fi mai detaliate. Izolați sau acoperiți contactele deschise și împachetați acumulatorul în așa fel încât să nu se poată mișca în ambalaj.
 11. Atunci când eliminați la deșeurile cartușul acumulatorului, scoateți-l din mașină și eliminați-l într-un loc sigur. Respectați normele naționale privind eliminarea la deșeurile a acumulatorului.
 12. Utilizați acumuloarele numai cu produsele specificate de Makita. Instalarea acumuloarelor în produse neconforme poate cauza incendii, căldură excesivă, explozii sau scurgeri de electrolit.
 13. Dacă mașina nu este utilizată o perioadă lungă de timp, acumulatorul trebuie scos din acesta.
 14. În timpul utilizării și după aceea, cartușul acumulatorului se poate încălzi, ceea ce poate cauza arsuri sau arsuri la temperaturi scăzute. Fiți atenți la manipularea cartușelor de acumulator atunci când sunt fierbinți.
 15. Nu atingeți borna mașinii imediat după utilizare, întrucât se poate încălzi foarte tare și poate provoca arsuri.

Instrucțiuni importante privind siguranța pentru cartușul acumulatorului

1. Înainte de a folosi cartușul acumulatorului, citiți toate instrucțiunile și atenționările de pe (1) încărcătorul acumulatorului, (2) acumulator și (3) produsul care folosește acumulatorul.
2. Nu dezasamblați și nu interveniți asupra cartușului acumulatorului. Acest lucru poate cauza incendii, căldură excesivă sau explozii.
3. Dacă timpul de funcționare s-a redus excesiv, întrerupeți imediat funcționarea. Aceasta poate prezenta risc de supraîncălzire, posibile arsuri și chiar explozie.

16. **Nu lăsați să pătrundă așchii, praf sau pământ în borne, în orificii și în canelurile cartușului acumulatorului.** Acest lucru poate duce la o performanță slabă sau poate cauza defectarea mașinii sau a cartușului acumulatorului.
17. **Nu utilizați cartușul acumulatorului în apropierea liniilor electrice de înaltă tensiune, cu excepția cazului în care mașina suportă utilizarea în apropierea liniilor electrice de înaltă tensiune.** Acest lucru poate duce la funcționarea necorespunzătoare sau la defectarea mașinii sau a cartușului acumulatorului.
18. **Țineți acumulatorul la distanță de copii.**

PĂSTRAȚI ACESTE INSTRUCȚIUNI.

⚠ATENȚIE: Folosiți numai acumulatori Makita originali. Acumulatorii Makita care nu sunt originali și acumulatorii care au suferit modificări se pot aprinde, provocând incendii, leziuni corporale și daune. De asemenea, anulează garanția oferită de Makita pentru unealta și încărcătorul Makita.

Sfaturi pentru obținerea unei durate maxime de exploatare a acumulatorului

1. **Încărcați cartușul acumulatorului înainte de a se descărca complet.** Întrerupeți întotdeauna funcționarea mașinii și încărcați cartușul acumulatorului când observați o scădere a puterii mașinii.
2. **Nu reîncărcați niciodată un acumulator complet încărcat.** Supraîncărcarea va scurta durata de exploatare a acumulatorului.
3. **Încărcați cartușul acumulatorului la temperatura camerei, între 10 °C - 40 °C (50 °F - 104 °F).** Lăsați un acumulator fierbinte să se răcească înainte de a-l încărca.
4. **Atunci când nu utilizați cartușul acumulatorului, scoateți-l din mașină sau din încărcător.**
5. **Încărcați cartușul acumulatorului în cazul în care nu a fost utilizat pe o perioadă mai lungă (mai mult de șase luni).**

DESCRIERE COMPONENTE

Acest suport poate fi utilizat pentru următoarele geaci/ veste cu ventilator și geaci/veste/pături Makita încălzite.

► Fig.1

Grupă	Model
A	Geacă/vestă cu ventilator: DFV210, DFJ206, DFJ207, DFJ210, DFJ211, DFJ212, DFJ213, DFJ214, DFJ216, DFJ304, DFJ305, DFJ310, DFJ311, DFJ405, DFJ407, DFJ410, DFJ411, DFJ416 Geacă/vestă/pătură încălzită: CV102D, DCV202, CJ105D, CJ106D, DCJ205, DCJ206, CB100D, DCB200
B	Geacă/vestă cu ventilator: DFJ212A, DFJ213A, DFJ214A, DFJ216A, DFJ312A, DFJ416A, DFV210A, DFV214A

1. Indicator nivel de putere

Atunci când utilizați o geacă/vestă cu ventilator, nivelul de putere este afișat.

NOTĂ: Dacă utilizați gecile/vestele cu ventilator din grupa A menționată mai sus, indicatorul nivelului de putere 4 nu va lumina deoarece unitățile lor cu ventilator utilizează controlul în 3 pași.

NOTĂ: Dacă utilizați geaca/vesta/pătura încălzită, doar indicatorul nivelului de putere 4 va lumina.

2. Buton de pornire

Pentru pornire, introduceți cartușul acumulatorului și apoi apăsați și țineți apăsat butonul de pornire până când se aprinde indicatorul nivelului de putere.

Pentru a schimba nivelul de putere a gecii/vestei cu ventilator, apăsați scurt butonul de pornire la pornirea alimentării.

Pentru oprire, apăsați și țineți apăsat butonul de pornire până se oprește indicatorul nivelului de putere.

NOTĂ: Pentru a schimba căldura gecii/vestei/păturii încălzite, apăsați butonul de pe geaca/vesta/pătura încălzită la pornirea acesteia.

3. Priză

Conectați cablul de la geacă/vestă/pătură sau cablul adaptor.

4. Cablu adaptor pentru geacă/vestă cu ventilator (accesoriu opțional)

Utilizați cablul adaptor atunci când folosiți produsele din grupa A de mai sus.

5. Cablu adaptor pentru geacă/vestă/pătură încălzită (accesoriu opțional)

Utilizați cablul adaptor atunci când folosiți produsele din grupa A de mai sus.

6. Cablu de alimentare pentru geacă/vestă/pătură

Pentru produsele din grupa A de mai sus, conectați cablul adaptor potrivit pentru geaca/vesta cu ventilator sau geaca/vesta/pătura încălzită.

Pentru produsele din grupa B de mai sus, conectați priza la suportul acumulatorului.

NOTĂ: Forma și amplasarea prizei diferă în funcție de geaca/vesta/pătura dumneavoastră.

7. Cartușul acumulatorului (accesoriu opțional)

Introduceți cartușul acumulatorului în suport până când se înclichetează în locaș.

DESCRIEREA FUNCȚIILOR

Montarea sau demontarea cartușului acumulatorului

ATENȚIE: Țineți ferm suportul acumulatorului și cartușul acumulatorului la montarea sau demontarea cartușului acumulatorului. În cazul în care nu țineți ferm suportul acumulatorului și cartușul acumulatorului, acestea vă pot aluneca din mâini, rezultând defectarea suportului acumulatorului și a cartușului acumulatorului și/sau în accidenteări personale.

ATENȚIE: Oprii întotdeauna dispozitivul înainte de demontarea cartușului acumulatorului.

► **Fig.2:** 1. Indicator roșu 2. Buton 3. Cartușul acumulatorului 4. Suportul acumulatorului

Pentru a instala cartușul acumulatorului, aliniați limba de pe cartușul acumulatorului cu canelura din carcasă și introduceți-l în locaș. Introduceți cartușul acumulatorului până când se înclichetează în locaș. Dacă puteți vedea indicatorul roșu din partea superioară a butonului, acesta nu este blocat complet.

Pentru a scoate cartușul acumulatorului, glisați-l din suportul acumulatorului în timp ce apăsați butonul de pe partea frontală a cartușului.

ATENȚIE: Întotdeauna montați cartușul acumulatorului complet, până când indicatorul roșu nu mai este vizibil. În caz contrar, cartușul acumulatorului poate cădea accidental din suportul acumulatorului, provocând rănirea dumneavoastră sau a persoanelor din jur.

ATENȚIE: Nu forțați cartușul acumulatorului la montare. În cazul în care cartușul acumulatorului nu glisează ușor, înseamnă că a fost introdus incorect.

Atașarea suportului acumulatorului

Puteți suspenda suportul acumulatorului de centura pentru talie.

Pentru a preveni căderea accidentală a suportului acumulatorului, atașați o centură folosind orificiul pentru centură și fixați-l bine.

► **Fig.3:** 1. Orificiu pentru centură

Suportul acumulatorului are o funcție anti-cădere. Atunci când scoateți suportul acumulatorului din centură, trageți suportul acumulatorului în sus, în timp ce apăsați pe butonul de deblocare.

► **Fig.4:** 1. Buton de deblocare

Conectarea dispozitivelor USB

ATENȚIE: Conectați numai dispozitive care sunt compatibile cu portul de alimentare USB. În caz contrar, suportul acumulatorului se poate defecta.

NOTĂ: Înainte de conectarea unui dispozitiv USB la suportul acumulatorului (cu acumulator), întotdeauna efectuați copii de rezervă ale datelor pe dispozitivul USB. În caz contrar, vă puteți pierde datele.

NOTĂ: Este posibil ca suportul acumulatorului să nu alimenteze unele dispozitive USB.

NOTĂ: Dacă nu îl utilizați sau după încărcare, scoateți cablul USB și închideți capacul.

Suportul acumulatorului (cu cartușul acumulatorului) poate funcționa ca o sursă de alimentare externă pentru dispozitivele USB.

Deschideți capacul și conectați un cablu USB (neinclus) la portul USB sau la suportul acumulatorului. Apoi conectați celălalt capăt al cablului la dispozitiv. Pentru ca încărcarea să înceapă, țineți apăsat pe butonul de pornire până când se aprinde indicatorul nivelului de putere. Pentru oprirea încărcării, țineți apăsat pe butonul de pornire până când se stinge indicatorul nivelului de putere.

► **Fig.5:** 1. Capac 2. Port USB

NOTĂ: Curentul de ieșire efectiv variază în funcție de dispozitivul USB care va fi conectat.

NOTĂ: Acumulatorul se consumă în timp ce butonul de pornire este pornit. Oprii întotdeauna comutatorul atunci când nu utilizați dispozitivul.

NOTĂ: Atunci când încărcați mai multe dispozitive USB unul după altul, așteptați circa 10 secunde după încărcarea unui dispozitiv înainte de a începe să încărcați următorul dispozitiv.

ÎNTREȚINERE

NOTĂ: Nu utilizați niciodată gazolină, benzină, diluant, alcool sau alte substanțe asemănătoare. În caz contrar, pot rezulta decolorări, deformări sau fisuri.

NOTĂ: Nu spălați suportul acumulatorului cu apă.

- Ștergeți praful, murdăria, uleiul, grăsimea etc. de pe carcasă cu o cârpă uscată și curată sau cu o cârpă înmuiată în apă cu săpun și stoarsă bine.
- Depozitați aparatul într-un loc în care nu va fi foarte cald, foarte rece sau cu umiditate ridicată.

Pentru a menține SIGURANȚA și FIABILITATEA produsului, reparațiile și orice alte lucrări de întreținere sau reglare trebuie executate de centre de service Makita autorizate sau proprii, folosind întotdeauna piese de schimb Makita.

ТЕХНІЧНІ ХАРАКТЕРИСТИКИ

Модель	TD00000111 Тримач акумулятора для касети з акумулятором LXT	TD00000110 Тримач акумулятора для касети з акумулятором CXT
Номінальна напруга	14,4 В пост. струму 18 В пост. струму	10,8 В–12 В пост. струму макс.
Касета з акумулятором	BL1415N / BL1430B / BL1440 / BL1460B BL1815N / BL1820B / BL1830 / BL1830B / BL1840B / BL1850B / BL1860B	BL1016 / BL1021B / BL1041B
Порт подачі живлення USB	5 В пост. струму, 2,4 А, тип А	
Розміри (Д × Ш × В)	100 мм × 78 мм × 39 мм	88 мм × 61 мм × 33 мм
Маса нетто	0,14 кг	0,09 кг

- Деякі касети з акумулятором, які вказано вище, можуть бути недоступними залежно від вашого регіону або місця перебування.

⚠ ПОПЕРЕДЖЕННЯ: Використовуйте лише касети з акумулятором, перелічені вище. Використання будь-яких інших касет з акумулятором може призвести до травмування й/або пожежі.

Символи

Для виробу можуть використовуватися наступні символи. Перед користуванням переконайтеся в тому, що ви розумієте їхнє значення.



Читайте посібник з експлуатації.



Ni-MH
Li-ion

Тільки для країн ЄС
Через наявність в обладнанні небезпечних компонентів відходи електричного та електронного обладнання, акумулятори та батареї можуть негативно впливати на навколишнє середовище та здоров'я людини.
Не викидайте електричні та електронні прилади або батареї разом з побутовими відходами!
Відповідно до директиви ЄС стосовно відходів електричного та електронного обладнання, акумуляторів, батарей та відходів акумуляторів і батарей, а також відповідно до її адаптації до національного законодавства, відходи електричного обладнання, батарей та акумуляторів слід зберігати окремо й доставляти на пункт роздільного збору комунальних відходів, який працює з дотриманням правил охорони навколишнього середовища.
Цьє позначено символом у вигляді перекресленого сміттєвого контейнера з колесами, нанесеним на обладнання.

ПОПЕРЕДЖЕННЯ ПРО ДОТРИМАННЯ ТЕХНІКИ БЕЗПЕКИ

⚠ ПОПЕРЕДЖЕННЯ: Перед початком експлуатації обов'язково прочитайте посібник з експлуатації пристрою Makita, з яким використовуватиметься цей прилад.

⚠ ПОПЕРЕДЖЕННЯ: Використовуйте прилади лише з виробами, указаними компанією Makita. Використання приладу з виробами, які не відповідають вимогам, може призвести до пожежі, надмірного нагрівання, вибуху чи витoku електроліту.

Електробезпека

- Не тримайтеся за шнур живлення та акумулятор мокрими чи масними руками.
- Не використовуйте пошкоджений USB-кабель.
- Використовуйте шнур живлення відповідно до призначення. Заборонено використовувати шнур для перенесення чи переміщення приладу або витягування вилки з розетки. Тримайте шнур подалі від джерел нагрівання, масил та гострих країв.
- Не залишайте будь-який шнур живлення від'єднаним, поки акумулятор заряджається. Малі діти можуть взяти штепсель, що знаходиться під напругою, до рота, що призведе до травмування.
- Не вставляйте нігті, дроти чи інші предмети в порт подачі живлення USB. Цьє може призвести до короткого замикання, що призведе до появи диму чи вогню.

Важливі інструкції з безпеки для касети з акумулятором

6. Не підключайте джерело живлення до USB-порту. USB-порт призначений тільки для заряджання низьковольтних пристроїв. Завжди закривайте USB-порт кришкою, коли він не використовується для заряджання низьковольтних пристроїв. Інакше існує ризик виникнення пожежі.
7. Перезаряджайте акумулятор лише за допомогою зарядного пристрою, вказаного виробником. Зарядний пристрій, який підходить для одного типу акумуляторів, може призвести до пожежі при використанні з акумулятором іншого типу.
8. Використовуйте пристрої лише зі спеціально призначеним типом акумуляторів. Використання акумуляторів інших типів може призвести до травм і пожежі.
9. Коли акумулятор не використовується, тримайте його подалі від таких металевих предметів, як скріпки, монети, ключі, цвяхи, шурупи тощо, які можуть закортити клеми акумулятора. Замикання клем акумулятора може призвести до отримання опіків або до пожежі.
10. За неналежних умов зберігання з акумулятора може витекти рідина, контакту з якою слід уникати. У разі випадкового потраплення рідини на тіло відповідну частину тіла слід промити водою. Якщо рідина потрапила в очі, їх слід промити водою, після чого необхідно звернутися до лікаря. Рідина, що витікає з акумулятора, може спричинити подразнення або опіки.
11. Не використовуйте акумулятор чи прилад, з яким він використовувався, якщо вони пошкоджені або їх конструкцію змінено. Експлуатація акумуляторів чи приладів, які було модифіковано чи пошкоджено, може бути небезпечною й спричинити пожежу, вибух або травму.
12. Не піддавайте акумулятор впливу вогню чи надмірної температури. Вплив вогню або температури вище 130 °C може спричинити вибух.
13. Дотримуйтеся усіх указівок із заряджання й не заряджайте акумулятор за температури поза межами зазначеного в інструкції діапазону. Неправильне заряджання або заряджання за межами вказаного температурного діапазону може призвести до пошкодження акумулятора й підвищити небезпеку займання.
14. Сервісне обслуговування пристрою має виконуватися кваліфікованим фахівцем із ремонту й тільки з використанням ідентичних запасних частин. Це забезпечить підтримання пристрою в належному стані.
15. Не робіть спроб самостійно відремонтувати прилад чи акумулятор або внести зміни в їхню конструкцію; дотримуйтеся інструкцій з експлуатації.

1. Перед тим як користуватися касетою з акумулятором, слід прочитати всі інструкції та застережні знаки щодо (1) зарядного пристрою акумулятора, (2) акумулятора та (3) виробів, що працюють від акумулятора.
2. Не розбирайте касету з акумулятором і не змінюйте її конструкцію. Це може призвести до пожежі, перегріву або вибуху.
3. Якщо період роботи дуже покоротшав, слід негайно припинити користування. Це може призвести до виникнення ризику перегріву, опіку та навіть вибуху.
4. У разі потраплення електроліту в очі слід промити їх чистою водою та негайно звернутися до лікаря. Це може призвести до втрати зору.
5. Не закоротіть касету з акумулятором.
 - (1) Не слід торкатися клем будь-яким струмопровідним матеріалом.
 - (2) Не слід зберігати касету з акумулятором у ємності з іншими металевими предметами, такими як цвяхи, монети тощо.
 - (3) Не залишайте касету з акумулятором під дощем, запобігайте контакту з водою.Коротке замикання може призвести до появи значного струму, перегріву, можливих опіків та навіть виходу з ладу.
6. Не слід зберігати й використовувати інструмент і касету з акумулятором у місця, де температура може сягнути чи перевищити 50 °C (122 °F).
7. Не слід спалювати касету з акумулятором, навіть якщо вона була неодноразово пошкоджена або повністю спрацьована. Касета з акумулятором може вибухнути у вогні.
8. Заборонено забивати цвяхи в касету з акумулятором, різати, ламати, кидати, впускати касету з акумулятором або вдаряти її твердим предметом. Це може призвести до пожежі, перегріву або вибуху.
9. Не слід використовувати пошкоджений акумулятор.
10. Літій-іонні акумулятори, що містяться в інструменті, мають відповідати вимогам законів про небезпечні товари. Під час транспортування за допомогою комерційних перевезень, наприклад із залученням третьої сторони та експедиторів, необхідно дотримуватися особливих вимог, вказаних на пакуванні й у маркуванні. Під час підготування позиції до відправлення необхідно проконсультуватися зі спеціалістом з небезпечних матеріалів. Крім того, слід виконувати більш докладні національні настанови, якщо такі є. Заклейте відкриті контакти стрічкою або заховайте їх і запакуйте акумулятор таким чином, щоб він не міг рухатися в пакуванні.

- Для утилізації касети з акумулятором витягніть її з інструмента та утилізуйте безпечним способом. Дотримуйтеся норм місцевого законодавства щодо утилізації акумуляторів.
- Використовуйте акумулятори лише з виробами, указаними компанією Makita. Установлення акумуляторів у невідповідні вироби може призвести до пожежі, надмірного нагрівання, вибуху чи витоку електроліту.
- Якщо інструментом не користуватимуться протягом тривалого періоду часу, вийміть акумулятор з інструмента.
- Під час і після використання касета з акумулятором може нагріватися, що може стати причиною опіків або низькотемпературних опіків. Будьте обережні під час поводження з гарячою касетою з акумулятором.
- Не торкайтеся контактів інструмента відразу після використання, оскільки він може бути досить гарячим, щоб викликати опіки.
- Не допускайте, щоб уламки, пил або земля прилипали до контактів, отворів і пазів на касеті з акумулятором. Це може привести до зниження експлуатаційних параметрів, поломки інструмента або касети з акумулятором.
- Якщо інструмент не розраховано на використання поблизу високовольтних ліній електропередач, не використовуйте касету з акумулятором поблизу високовольтних ліній електропередач. Це може призвести до несправності, поломки інструмента або касети з акумулятором.
- Тримайте акумулятор у недоступному для дітей місці.
- Коли касета з акумулятором не використовується, виймайте її з інструмента або зарядного пристрою.
- Якщо касета з акумулятором не використовувалася тривалий час (понад шість місяців), її слід зарядити.

ОПИС ДЕТАЛЕЙ

Цей тримач можна використовувати разом із наведеними далі вентиляційними куртками / жилетами й куртками / жилетами / ковдрами з підігрівом від Makita.

► Рис.1

Група	Модель
A	Вентиляційні куртки / жилети: DFV210, DFJ206, DFJ207, DFJ210, DFJ211, DFJ212, DFJ213, DFJ214, DFJ216, DFJ304, DFJ305, DFJ310, DFJ311, DFJ405, DFJ407, DFJ410, DFJ411, DFJ416 Куртки / жилети / ковдри з підігрівом: CV102D, DCV202, CJ105D, CJ106D, DCJ205, DCJ206, CB100D, DCB200
B	Вентиляційні куртки / жилети: DFJ212A, DFJ213A, DFJ214A, DFJ216A, DFJ312A, DFJ416A, DFV210A, DFV214A

1. Індикатор рівня потужності

Під час використання вентиляційних курток / жилетів відображається індикатор рівня потужності.

ПРИМІТКА: У разі використання вентиляційних курток / жилетів із групи А, наведених вище, індикатор рівня потужності 4 не засвічується, оскільки вентиляційний пристрій у них має систему 3-крокового контролю.

ПРИМІТКА: У разі використання курток / жилетів / ковдр із підігрівом засвічується тільки індикатор рівня потужності 4.

2. Кнопка живлення

Щоб увімкнути, вставте касету з акумулятором, а потім натисніть і втримуйте кнопку живлення, доки не засвітиться індикатор рівня потужності. Щоб змінити рівень потужності вентиляційних курток / жилетів, коротко натисніть кнопку живлення за ввімкненого живлення. Щоб вимкнути, натисніть і втримуйте кнопку живлення, доки індикатор потужності не вимкнеться.

ПРИМІТКА: Щоб змінити рівень підігріву куртки / жилета / ковдри з підігрівом, натисніть кнопку на виробі, коли він увімкнений.

3. Роз'єм живлення

Під'єднайте кабель куртки / жилета / ковдри з підігрівом або кабель адаптера.

4. Кабель адаптера для вентиляційних куртки / жилета (додаткове приладдя)

У разі використання виробів із групи А, наведених вище, використовуйте кабель адаптера.

ЗБЕРІГАЙТЕ ЦІ ВКАЗІВКИ.

⚠ОБЕРЕЖНО: Використовуйте тільки акумулятори Makita. Використання акумуляторів, інших ніж оригінальні акумулятори Makita, або акумуляторів, конструкцію яких було змінено, може призвести до вибуху акумулятора і спричинити пожежу, травму або пошкодження. У зв'язку з цим також буде анульовано гарантію Makita на інструмент Makita і на зарядний пристрій.

Поради з забезпечення максимального строку експлуатації акумулятора

- Касету з акумулятором слід заряджати до того, як він розрядиться повністю. Завжди слід зупиняти роботу інструмента та зарядити акумулятор, якщо ви помітили зменшення потужності інструмента.
- Ніколи не слід заряджати повторно повністю заряджену касету з акумулятором. Перезарядження скорочує строк експлуатації акумулятора.
- Заряджайте касету з акумулятором при кімнатній температурі 10°C - 40°C (50°F - 104°F). Перед тим як заряджати касету з акумулятором, слід зачекати, доки вона охолоне.

5. Кабель адаптера для куртки / жилета / ковдри з підігрівом (додаткове приладдя)

У разі використання виробів із групи А, наведених вище, використовуйте кабель адаптера.

6. Кабель живлення куртки / жилета / ковдри

Для наведених вище виробів із групи А: під'єднайте відповідний кабель адаптера до вентиляційних куртки / жилета чи куртки / жилета / ковдри з підігрівом.

Для наведених вище виробів із групи В: під'єднайте до роз'єму живлення в тримачі акумулятора.

ПРИМІТКА: Форма й розташування роз'єму можуть відрізнятися залежно від моделі куртки / жилета / ковдри.

7. Касета з акумулятором (додаткове приладдя)

Вставляйте касету з акумулятором у тримач, доки вона не зафіксується з легким клацанням.

ОПИС РОБОТИ

Установлення або знімання касети з акумулятором

⚠ОБЕРЕЖНО: Під час установлення або знімання касети з акумулятором слід міцно тримати тримач акумулятора та касету з акумулятором. Якщо ви утримуватимете тримач акумулятора та касету з акумулятором недостатньо міцно, вони можуть вислизнути з рук, що призведе до пошкодження тримача акумулятора та касети з акумулятором та/або спричинить травми.

⚠ОБЕРЕЖНО: Завжди вимикайте пристрій перед зніманням касети з акумулятором.

► **Рис.2:** 1. Червоний індикатор 2. Кнопка 3. Касета з акумулятором 4. Тримач акумулятора

Щоб установити касету з акумулятором, слід сумістити виступ на касеті з акумулятором із пазом у корпусі та вставити касету на місце. Вставляйте касету з акумулятором до клацання. Якщо на верхній частині кнопки помітний червоний індикатор, це означає, що касета з акумулятором зафіксована не до кінця.

Щоб зняти касету з акумулятором, слід витягнути її з тримача акумулятора, натиснувши на кнопку в передній частині касети.

⚠ОБЕРЕЖНО: Завжди вставляйте касету з акумулятором повністю, поки не зникне червоний індикатор. Інакше касета може випадково випасти з тримача акумулятора та травмувати вас або людей, що знаходяться поруч.

⚠ОБЕРЕЖНО: Не встановлюйте касету з акумулятором із зусиллям. Якщо касета з акумулятором не вставляється легко, це означає, що її вставляють неправильно.

Прикріплення тримача акумулятора

Тримач акумулятора можна повісити на пояс.

Щоб тримач акумулятора раптом не впав, надійно зафіксуйте його за допомогою ременя та отвору для ременя.

► **Рис.3:** 1. Отвір для ременя

Тримач акумулятора має функцію запобігання падінню. Коли знімаєте тримач акумулятора з пояса, потягніть тримач акумулятора, одночасно натискаючи кнопку розблокування.

► **Рис.4:** 1. Кнопка розблокування

Під'єднання USB-пристроїв

⚠ОБЕРЕЖНО: Під'єднуйте лише пристрої, сумісні з портом живлення USB. Інакше це може призвести до несправності тримача акумулятора.

УВАГА: Перш ніж під'єднати USB-пристрій до тримача акумулятора (з акумулятором), завжди архівуйте дані на USB-пристрої. Інакше це може призвести до втрати даних.

УВАГА: Тримач акумулятора може не подавати напругу на деякі USB-пристрої.

УВАГА: Після завершення заряджання або якщо USB-кабель не використовується, від'єднайте його й закрийте кришку.

Тримач акумулятора (з касетою з акумулятором) може бути зовнішнім джерелом живлення для USB-пристроїв.

Відкрийте кришку й під'єднайте USB-кабель (не входить у комплект постачання) до порту USB на тримачі акумулятора. Потім під'єднайте інший кінець кабелю до пристрою. Для початку заряджання натисніть і втримуйте кнопку живлення, доки індикатор рівня потужності не засвітиться. Для зупинення заряджання натисніть і втримуйте кнопку живлення, доки індикатор рівня потужності не згасне.

► **Рис.5:** 1. Кришка 2. Порт USB

ПРИМІТКА: Фактичний вихідний струм відрізняється залежно від USB-пристрою, який потрібно під'єднати.

ПРИМІТКА: Заряд акумулятора витрачається, коли кнопка живлення ввімкнена. Завжди вимикайте перемикач, коли не використовуєте пристрій.

ПРИМІТКА: У разі заряджання декількох пристроїв USB по черзі почекайте близько 10 секунд перед початком заряджання наступного пристрою.

ТЕХНІЧНЕ ОБСЛУГОВУВАННЯ

УВАГА: Ніколи не використовуйте газолін, бензин, розріджувач, спирт і подібні речовини. Це може призвести до зміни кольору, деформації або появи тріщин.

УВАГА: Не мийте тримач акумулятора водою.

- Для усунення пилу, бруду, мастила, оливи тощо з корпусу використовуйте суху чисту тканину або змочену мильною водою й віджату ганчірку.
- Зберігайте прилад у місці, де він не піддаватиметься впливу надто високих чи низьких температур або вологи.

Для забезпечення БЕЗПЕКИ та НАДІЙНОСТІ продукції, її ремонт, а також роботи з обслуговування або регулювання повинні виконуватись уповноваженими або заводськими сервісними центрами Makita із використанням запчастин виробництва компанії Makita.

ТЕХНИЧЕСКИЕ ХАРАКТЕРИСТИКИ

Модель	TD00000111 Держатель аккумулятора для блока аккумулятора LXT	TD00000110 Держатель аккумулятора для блока аккумулятора CXT
Номинальное напряжение	14,4 В пост. тока 18 В пост. тока	10,8 В–12 В пост. тока макс.
Блок аккумулятора	BL1415N / BL1430B / BL1440 / BL1460B BL1815N / BL1820B / BL1830 / BL1830B / BL1840B / BL1850B / BL1860B	BL1016 / BL1021B / BL1041B
Порт подачи питания USB	5 В пост. тока, 2,4 А, тип А	
Размеры (Д x Ш x В)	100 мм x 78 мм x 39 мм	88 мм x 61 мм x 33 мм
Масса нетто	0,14 кг	0,09 кг

- В зависимости от региона вашего проживания некоторые блоки аккумуляторов, перечисленные выше, могут быть недоступны.

⚠ОСТОРОЖНО: Используйте только перечисленные выше блоки аккумуляторов. Использование других блоков аккумуляторов может привести к травме и/или пожару.

Символы

Для изделия могут использоваться следующие символы. Перед использованием убедитесь в том, что вы понимаете их значение.



Прочитайте руководство по эксплуатации.



Ni-MH
Li-Ion

Только для стран ЕС
В связи с наличием в оборудовании опасных компонентов отходы электрического и электронного оборудования, аккумуляторы и батареи могут оказывать негативное влияние на окружающую среду и здоровье человека. Не выбрасывайте электрические и электронные устройства или батареи вместе с бытовыми отходами!
В соответствии с директивой ЕС по отходам электрического и электронного оборудования, по аккумуляторам, батареям и отходам аккумуляторов и батарей, а также в соответствии с ее адаптацией к национальному законодательству, отходы электрического оборудования, батареи и аккумуляторы следует хранить отдельно и доставлять на пункт раздельного сбора коммунальных отходов, работающий с соблюдением правил охраны окружающей среды. Это обозначено символом в виде перечеркнутого мусорного контейнера на колесах, нанесенным на оборудование.

МЕРЫ БЕЗОПАСНОСТИ

⚠ОСТОРОЖНО: Перед началом эксплуатации обязательно прочитайте инструкцию по эксплуатации изделия Makita, с которым будет использоваться этот прибор.

⚠ОСТОРОЖНО: Используйте этот прибор только с продукцией, указанной компанией Makita. Использование прибора с продукцией, не соответствующей требованиям, может привести к пожару, перегреву, взрыву или утечке электролита.

Электробезопасность

1. Не прикасайтесь к шнуру и аккумулятору мокрыми или замасленными руками.
2. Не используйте поврежденный USB-кабель.
3. Аккуратно обращайтесь со шнуром. Запрещается использовать шнур для переноски, перемещения устройства или вытягивания вилки из розетки. Располагайте шнур на расстоянии от источников тепла, масла и острых краев.
4. При подаче питания аккумулятора убедитесь, что все шнуры подключены. Маленькие дети могут поместить подключенную вилку в рот, что вызовет травмы.
5. Не вставляйте ногти, провода и другие предметы в порт подачи питания USB. При этом может возникнуть короткое замыкание, которое приведет к появлению дыма или возгоранию.

6. Не подключайте источник питания к порту USB. Порт USB предназначен для зарядки устройств с более низким уровнем напряжения. Порт USB необходимо закрывать крышкой, если не выполняется зарядка устройств с более низким уровнем напряжения. Несоблюдение данного требования может привести к пожару.
7. Заряжайте аккумулятор только зарядным устройством, указанным изготовителем. Зарядное устройство, подходящее для одного типа аккумуляторных блоков, может привести к пожару при его использовании с другим аккумуляторным блоком.
8. Используйте устройство только с указанными аккумуляторными блоками. Использование других аккумуляторных блоков может привести к травме или пожару.
9. Когда аккумуляторный блок не используется, храните его отдельно от металлических предметов, таких как скрепки, монеты, ключи, гвозди, шурупы или другие небольшие металлические предметы, которые могут привести к закорачиванию контактов аккумуляторного блока между собой. Короткое замыкание между контактами аккумуляторного блока может привести к ожогам или пожару.
10. При неправильном обращении из аккумуляторного блока может потечь жидкость. Избегайте контакта с ней. В случае контакта с кожей промойте место контакта обильным количеством воды. В случае попадания в глаза обратитесь к врачу. Жидкость из аккумулятора может вызвать раздражение или ожоги.
11. Не используйте аккумуляторы или приборы, подлежащие использованию вместе с аккумулятором, если они повреждены или модифицированы. Поврежденные или модифицированные аккумуляторы или приборы могут работать некорректно, что может привести к пожару, взрыву или травмированию.
12. Не подвергайте аккумуляторный блок воздействию огня или высокой температуры. Воздействие огня или температуры выше 130 °C может привести к взрыву.
13. Следуйте всем инструкциям по зарядке и не заряжайте аккумуляторный блок при температурных условиях, выходящих за пределы диапазона, указанного в инструкции. Зарядка ненадлежащим образом или при температурных условиях, выходящих за пределы указанного диапазона, может привести к повреждению аккумулятора и повысить риск пожара.
14. Сервисное обслуживание устройства должно выполняться квалифицированным специалистом по ремонту и только с использованием идентичных запасных частей. Это позволит обеспечить безопасность устройства.
15. Не пытайтесь самостоятельно ремонтировать прибор или аккумуляторный блок или вносить изменения в их конструкцию; строго соблюдайте инструкции по их эксплуатации.

Важные правила техники безопасности для работы с аккумуляторным блоком

1. Перед использованием аккумуляторного блока прочитайте все инструкции и предупреждающие надписи на (1) зарядном устройстве, (2) аккумуляторном блоке и (3) инструменте, работающем от аккумуляторного блока.
2. Не разбирайте блок аккумулятора и не меняйте его конструкцию. Это может привести к пожару, перегреву или взрыву.
3. Если время работы аккумуляторного блока значительно сократилось, немедленно прекратите работу. В противном случае, может возникнуть перегрев блока, что приведет к ожогам и даже к взрыву.
4. В случае попадания электролита в глаза промойте их обильным количеством чистой воды и немедленно обратитесь к врачу. Это может привести к потере зрения.
5. Не замыкайте контакты аккумуляторного блока между собой:
 - (1) Не прикасайтесь к контактам какими-либо токопроводящими предметами.
 - (2) Не храните аккумуляторный блок в контейнере вместе с другими металлическими предметами, такими как гвозди, монеты и т. п.
 - (3) Не допускайте попадания на аккумуляторный блок воды или дождя.
 Замыкание контактов аккумуляторного блока между собой может привести к возникновению большого тока, перегреву, возможному ожогу и даже поломке блока.
6. Не храните и не используйте инструмент и аккумуляторный блок в местах, где температура может достигать или превышать 50 °C (122 °F).
7. Не бросайте аккумуляторный блок в огонь, даже если он сильно поврежден или полностью вышел из строя. Аккумуляторный блок может взорваться под действием огня.
8. Запрещено вбивать гвозди в блок аккумулятора, резать, ломать, бросать, ронять блок аккумулятора или ударять его твердым предметом. Это может привести к пожару, перегреву или взрыву.
9. Не используйте поврежденный аккумуляторный блок.

10. **Входящие в комплект литий-ионные аккумуляторы должны эксплуатироваться в соответствии с требованиями законодательства об опасных товарах.**

При коммерческой транспортировке, например, третьей стороной или экспедитором, необходимо нанести на упаковку специальные предупреждения и маркировку.

В процессе подготовки устройства к отправке обязательно проконсультируйтесь со специалистом по опасным материалам. Также соблюдайте местные требования и нормы. Они могут быть строже.

Закройте или закрепите разомкнутые контакты и упакуйте аккумулятор так, чтобы он не перемещался по упаковке.

11. **Для утилизации блока аккумулятора извлеките его из инструмента и утилизируйте безопасным способом. Выполняйте требования местного законодательства по утилизации аккумуляторного блока.**
12. **Используйте аккумуляторы только с продукцией, указанной Makita.** Установка аккумуляторов на продукцию, не соответствующую требованиям, может привести к пожару, перегреву, взрыву или утечке электролита.
13. **Если инструментом не будут пользоваться в течение длительного периода времени, извлеките аккумулятор из инструмента.**
14. **Во время и после использования блок аккумулятора может нагреваться, что может стать причиной ожогов или низкотемпературных ожогов. Будьте осторожны при обращении с горячим блоком аккумулятора.**
15. **Не прикасайтесь к контактам инструмента сразу после использования, поскольку они могут быть достаточно горячими, чтобы вызвать ожоги.**
16. **Не допускайте, чтобы обломки, пыль или земля прилипали к контактам, отверстиям и пазам на блоке аккумулятора.** Это может привести к снижению эксплуатационных параметров, поломке инструмента или блока аккумулятора.
17. **Если инструмент не рассчитан на использование вблизи высоковольтных линий электропередач, не используйте блок аккумулятора вблизи высоковольтных линий электропередач.** Это может привести к неисправности, поломке инструмента или блока аккумулятора.
18. **Храните аккумулятор в недоступном для детей месте.**

СОХРАНИТЕ ДАННЫЕ ИНСТРУКЦИИ.

▲ВНИМАНИЕ: Используйте только фирменные аккумуляторные батареи Makita.

Использование аккумуляторных батарей, не произведенных Makita, или батарей, которые были подвергнуты модификациям, может привести к взрыву аккумулятора, пожару, травмам и повреждению имущества. Это также автоматически аннулирует гарантию Makita на инструмент и зарядное устройство Makita.

Советы по обеспечению максимального срока службы аккумулятора

1. Заряжайте блок аккумуляторов перед его полной разрядкой. Обязательно прекратите работу с инструментом и зарядите блок аккумуляторов, если вы заметили снижение мощности инструмента.
2. Никогда не подзаряжайте полностью заряженный блок аккумуляторов. Перезарядка сокращает срок службы аккумулятора.
3. Заряжайте блок аккумуляторов при комнатной температуре в 10 - 40 °C (50 - 104 °F). Перед зарядкой горячего блока аккумуляторов дайте ему остыть.
4. Если блок аккумулятора не используется, извлеките его из инструмента или зарядного устройства.
5. Зарядите ионно-литиевый аккумуляторный блок, если вы не будете пользоваться инструментом длительное время (более шести месяцев).

ОПИСАНИЕ ДЕТАЛЕЙ

Этот держатель может быть использован вместе с указанными далее курткой / жилетом с электровентилятором или курткой / жилетом / одеялом с подогревом от компании Makita.

► Рис.1

Группа	Модель
A	Куртки / жилеты с электровентилятором: DFV210, DFJ206, DFJ207, DFJ210, DFJ211, DFJ212, DFJ213, DFJ214, DFJ216, DFJ304, DFJ305, DFJ310, DFJ311, DFJ405, DFJ407, DFJ410, DFJ411, DFJ416 Куртки / жилеты / одеяла с подогревом: CV102D, DCV202, CJ105D, CJ106D, DCJ205, DCJ206, CB100D, DCB200
B	Куртки / жилеты с электровентилятором: DFJ212A, DFJ213A, DFJ214A, DFJ216A, DFJ312A, DFJ416A, DFV210A, DFV214A

1. Индикатор уровня мощности

При использовании куртки / жилета с электровентилятором отображается индикатор уровня мощности.

ПРИМЕЧАНИЕ: При использовании указанных выше куртки / жилета с электровентилятором из группы А индикатор уровня мощности 4 не светится, поскольку блок вентилятора в них имеет систему 3-уровневого контроля.

ПРИМЕЧАНИЕ: При использовании куртки / жилета / одеяла с подогревом светится только индикатор уровня мощности 4.

2. Кнопка питания

Для включения вставьте блок аккумулятора, затем нажмите и удерживайте кнопку питания, пока не засветится индикатор уровня мощности.

Для изменения уровня мощности куртки / жилета с электровентилятором коротко нажмите кнопку питания при включенном питании.

Для выключения нажмите и удерживайте кнопку питания, пока не погаснет индикатор уровня мощности.

ПРИМЕЧАНИЕ: Для изменения мощности подогрева куртки / жилета / одеяла с подогревом нажмите кнопку на соответствующем изделии при включенном питании.

3. Силовая розетка

Подключите кабель куртки / жилета / одеяла с подогревом или кабель адаптера.

4. Кабель адаптера для курток / жилетов с электровентилятором (дополнительная принадлежность)

Используйте кабель адаптера при использовании указанной выше продукции из группы А.

5. Кабель адаптера для курток / жилетов / одеял с подогревом (дополнительная принадлежность)

Используйте кабель адаптера при использовании указанной выше продукции из группы А.

6. Кабель питания для куртки / жилета / одеяла

Для указанной выше продукции из группы А: подключайте к курткам / жилетам с электровентилятором или курткам / жилетам / одеялам с подогревом подходящие кабели адаптера.

Для указанной выше продукции из группы В: подключайте к силовой розетке держателя аккумулятора.

ПРИМЕЧАНИЕ: Форма и расположение розетки может отличаться в зависимости от модели куртки / жилета / одеяла.

7. Блок аккумулятора (дополнительное приспособление)

Вставьте блок аккумулятора в держатель до упора так, чтобы он зафиксировался на месте со щелчком.

ОПИСАНИЕ РАБОТЫ

Установка и извлечение блока аккумулятора

ВНИМАНИЕ: При установке и извлечении блока аккумулятора крепко удерживайте держатель аккумулятора и блок аккумулятора.

Если не соблюдать это требование, они могут выскользнуть из рук, что приведет к повреждению держателя и блока аккумулятора и/или травмированию оператора.

ВНИМАНИЕ: Обязательно выключайте устройство перед извлечением блока аккумулятора.

► **Рис.2:** 1. Красный индикатор 2. Кнопка 3. Блок аккумулятора 4. Держатель аккумулятора

Для установки блока аккумулятора совместите выступ блока аккумулятора с пазом в корпусе и задвиньте его на место. Вставьте блок аккумулятора до упора так, чтобы он зафиксировался на месте с небольшим щелчком. Если вы можете видеть красный индикатор на верхней части клавиши, блок аккумулятора не полностью установлен на месте.

Для снятия блока аккумулятора нажмите кнопку на лицевой стороне и извлеките блок из держателя аккумулятора.

ВНИМАНИЕ: Обязательно устанавливайте блок аккумулятора до конца, чтобы красный индикатор не был виден. В противном случае блок аккумулятора может выпасть из держателя и нанести травму вам или другим людям.

ВНИМАНИЕ: Не прилагайте чрезмерных усилий при установке блока аккумулятора. Если блок аккумулятора не движется свободно, значит, он вставлен неправильно.

Крепление держателя аккумулятора

Можно повесить держатель аккумулятора на поясной ремень.

Чтобы предотвратить падение держателя, прикрепите ремень через отверстие и зафиксируйте его.

► **Рис.3:** 1. Отверстие ремня

Держатель аккумулятора оснащен функцией защиты от падения. При снятии держателя аккумулятора с ремня потяните держатель вверх, нажимая кнопку разблокировки.

► **Рис.4:** 1. Кнопка разблокировки

Подключение устройств USB

ВНИМАНИЕ: Подключайте только устройства, совместимые с портом подачи питания USB. При несоблюдении этого требования может возникнуть неисправность держателя аккумулятора.

ПРИМЕЧАНИЕ: Перед подключением устройства USB к держателю аккумулятора (с аккумулятором) всегда создавайте резервную копию данных на устройстве USB. При несоблюдении этого требования данные могут быть потеряны.

ПРИМЕЧАНИЕ: Держатель аккумулятора не подает питание на некоторые типы устройств USB.

ПРИМЕЧАНИЕ: После завершения зарядки или если USB-кабель не используется, отсоедините его и закройте крышку.

Держатель аккумулятора (с блоком аккумулятора) может выполнять функции внешнего источника питания для устройств USB.

Откройте крышку и подключите USB-кабель (не включен в комплект) к USB-порту держателя аккумулятора. Другой конец кабеля подключите к устройству. Для начала зарядки нажмите и удерживайте кнопку питания, пока не засветится индикатор уровня мощности. Для остановки зарядки нажмите и удерживайте кнопку питания, пока индикатор уровня мощности не погаснет.

► **Рис.5:** 1. Крышка 2. USB-порт

ПРИМЕЧАНИЕ: Фактическая выходная сила тока может отличаться в зависимости от типа подключенного устройства USB.

ПРИМЕЧАНИЕ: Мощность аккумулятора расходуется, когда нажата кнопка питания. Когда устройство не используется, переводите переключатель питания в выключенное положение.

ПРИМЕЧАНИЕ: При зарядании нескольких устройств USB по очереди подождите около 10 секунд перед началом зарядки следующего устройства.

ОБСЛУЖИВАНИЕ

ПРИМЕЧАНИЕ: Запрещается использовать бензин, растворители, спирт и другие подобные жидкости. Это может привести к обесцвечиванию, деформации и трещинам.

ПРИМЕЧАНИЕ: Не промывайте держатель аккумулятора водой.

- Для удаления с корпуса пыли, грязи, масла, смазки и т. д. используйте чистую сухую ткань или тряпку, смоченную в мыльной воде, а затем выжатыю.
- Храните прибор в месте, защищенном от слишком высоких или низких температура и влаги.

Для обеспечения БЕЗОПАСНОСТИ и НАДЕЖНОСТИ оборудования ремонт, любое другое техобслуживание или регулировку необходимо производить в уполномоченных сервис-центрах Makita или сервис-центрах предприятия с использованием только сменных частей производства Makita.

ТЕХНИКАЛЫҚ СИПАТТАМАЛАРЫ

Үлгісі	TD00000111 LXT аккумулятор картриджінің аккумулятор ұстағышы	TD00000110 СХТ аккумулятор картриджінің аккумулятор ұстағышы
Номиналды кернеу	14,4 В ТТ 18 В ТТ	10,8 В ТТ - 12 В ТТ макс.
Аккумулятор картриджі	BL1415N / BL1430B / BL1440 / BL1460B BL1815N / BL1820B / BL1830 / BL1830B / BL1840B / BL1850B / BL1860B	BL1016 / BL1021B / BL1041B
USB құрылғысын енгізетін порт	5 В ТТ, 2,4 А, А түрі	
Өлшемдері (Ұ x Е x Б)	100 мм x 78 мм x 39 мм	88 мм x 61 мм x 33 мм
Таза салмағы	0,14 кг	0,09 кг

- Жоғарыда берілген аккумулятор картриждерінің кейбірі сіздің тұрып жатқан жеріңізге байланысты қолжетімсіз болуы мүмкін.

⚠ ЕСКЕРТУ: Тек жоғарыда аталған аккумулятор картриждерін ғана пайдаланыңыз. Аккумулятор картриждерінің басқа түрлерін пайдалансаңыз, жарақат алуыңыз және/немесе өрт шығуы мүмкін.

Белгілер

Өнім үшін келесі белгілердің кейбіреуі пайдаланылады. Пайдалану алдында олардың мағынасын түсініп алыңыз.



Пайдалану жөніндегі нұсқаулықты оқып шығыңыз.



Ni-MH
Li-Ion

Тек ЕО елдеріне арналған Жабдықта қауіпті құрамдастардың болуына байланысты, электрлік және электрондық жабдықтардың, аккумуляторлар мен батареялардың қалдықтары қоршаған ортаға және адам денсаулығына кері әсерін тигізуі мүмкін. Электрлік және электрондық құрылғыларды немесе батареяларды тұрмыстық қалдықтармен бірге тастауға болмайды!
Электрлік және электрондық жабдықтардың қалдықтары және аккумуляторлар мен батареялар және аккумуляторлар мен батареялардың қалдықтары, сондай-ақ олардың ұлттық заңнамаға бейімделуі туралы Еуропалық директиваға сәйкес, электрлік жабдықтардың, батареялардың және аккумуляторлардың қалдықтары бөлек жиналуы және қоршаған ортаны қорғау ережелеріне сәйкес жұмыс істейтін тұрмыстық қалдықтарды жинау пунктіне жеткізілуі керек.
Бұл жабдыққа орналастырылған айқас сызықпен сызылған дөңгелекті қоқыс жәшігінің белгісі арқылы көрсетіледі.

ҚАУІПСІЗДІК БОЙЫНША ЕСКЕРТУЛЕР

⚠ ЕСКЕРТУ: Қолданар алдында осы жабдықта бірге қолданылатын Makita өнімінің нұсқаулығын оқып шығыңыз.

⚠ ЕСКЕРТУ: Жабдықты тек Makita компаниясы көрсеткен өнімдермен бірге пайдаланыңыз. Жабдықты үйлеспейтін өнімдермен пайдалану өртке, қызып кетуге, жарылуға немесе электролиттің ағуына себеп болуы мүмкін.

Электрлік қауіпсіздік

1. Сымды және аккумуляторды дымқыл немесе лас қолыңызбен ұстамаңыз.
2. Зақымдалған USB кабелін пайдаланбаңыз.
3. Қуат сымын дұрыс пайдаланыңыз. Тасымалдау, тарту немесе қуат көзінен ажырату үшін қуат сымын пайдалануға болмайды. Қуат сымын ыстық, май және өткір жиектерге жақындатпаңыз.
4. Аккумулятор қуаты беріліп жатқан кезде, ешбір сымды ажыратулы күйде қалдыруға болмайды. Кішкентай балалар ашаны ауыздарына салып, жарақат алуы мүмкін.
5. USB қуат көзі портына шеге, сым немесе басқа да заттарды салуға болмайды. Әйтпесе қысқа тұйықталу пайда болып, түтін немесе өрт туғызуы мүмкін.
6. Қуат көзін USB портына қосуға болмайды. USB порты тек төмен кернеулі құрылғыларды зарядтауға арналған. Төмен кернеулі құрылғыны зарядтамайтын кезде, USB портын әрдайым қақпақпен жабыңыз. Әйтпесе өрт шығу қаупі бар.

Аккумулятор картриджіне арналған маңызды қауіпсіздік нұсқаулары

7. Тек өндіруші көрсеткен зарядтау құрылғысымен зарядтаңыз. Бір аккумулятор блогына сәйкес келетін зарядтау құрылғысын басқа аккумулятор блогымен пайдалану өрт қаупін тудыруы мүмкін.
 8. Жабдықтарды тек көрсетілген аккумулятор блоктарымен ғана пайдаланыңыз. Кез келген басқа аккумулятор блоктарын пайдалану жарақат алу мен өрт шығу қаупін тудыруы мүмкін.
 9. Аккумулятор блогын пайдаланбаған кезде, оны қағаз қыстырғыштар, тиындар, кілттер, шегелер, бұрандалар сияқты металл заттар мен бір клеммадан екіншісіне қосылыс жасау мүмкін басқа шағын металл заттардан аулақ ұстаңыз. Аккумулятор клеммаларының қысқа тұйықталуы күйік шалуға немесе өртке әкеп соғуы мүмкін.
 10. Дұрыс пайдаланбаған кезде аккумулятордан сұйықтық ағуы мүмкін; тиіп кетпеуге тырысыңыз. Егер абайсызда тиіп кетсеңіз, сумен шайыңыз. Егер сұйықтық көзге тиген болса, медициналық көмекке жүгініңіз. Аккумулятордан шыққан сұйықтық тітіркену немесе күйкке себеп болуы мүмкін.
 11. Аккумулятор немесе аккумулятормен бірге пайдаланылатын жабдық зақымдалған немесе өзгертілген болса, оны пайдаланбаңыз. Зақымдалған немесе өзгертілген аккумулятор немесе жабдық өрт, жарылыс немесе жарақат алу қаупіне әкелетін күтпеген жағдайлар тудыруы мүмкін.
 12. Аккумулятор блогын немесе құралды оттың не шамадан тыс жоғары температура шығаратын заттың жанына қоймаңыз. Отқа түссе немесе температура 130 °C-тан жоғары болса, жарылуы мүмкін.
 13. Зарядтауға қатысты нұсқаулардың барлығын орындаңыз және аккумулятор блогын нұсқауларда көрсетілген температура ауқымынан тыс зарядтамаңыз. Дұрыс зарядталмаса немесе көрсетілген ауқымнан тыс температурада зарядталса, аккумулятор зақымдалуы және өрт шығу қаупі артуы мүмкін.
 14. Жөндеу жұмыстарын білікті маман тек тиісті қосалқы бөлшектерді пайдалана отырып орындауы тиіс. Бұл өнімнің қауіпсіздігін қамтамасыз етеді.
 15. Құрылғыны немесе аккумулятор жинағын пайдалану және күтім көрсету нұсқауларында сипатталғаннан басқа жолмен өзгертуге немесе жөндеуге әрекет етпеңіз.
1. Аккумулятор картриджді пайдаланбас бұрын, (1) аккумулятордың зарядтау құрылғысындағы, (2) аккумулятордағы және (3) аккумуляторды пайдаланатын өнімдегі барлық нұсқаулар мен ескерту білгілерін оқып шығыңыз.
 2. Аккумулятор картриджді бөлшектемеңіз немесе өз бетіңізше ашып жөндемеңіз. Ол өрт, шамадан тыс қызу немесе жарылу жағдайларына алып келуі мүмкін.
 3. Егер аккумулятор картридждің пайдалану уақыты бірталай қысқарған болса, пайдалануды дереу тоқтатыңыз. Бұл қызып кету, ықтимал күйіктер немесе тіпті жарылыс қаупін тудыруы мүмкін.
 4. Егер электролит көзіңізге тиген болса, көзіңізді таза сумен шайыңыз және дереу медициналық көмекке жүгініңіз. Бұл көру қабілетінен айырылуға әкеп соқтыруы мүмкін.
 5. Аккумулятор картридждің жалғасуларын бір бірімен матастырмаңыз:
 - (1) Клеммаларды кез келген ток өткізгіш материалдарға тигізбеңіз.
 - (2) Аккумулятор картридждің ішінде шегелер, тиындар, т.б. басқа металл заттары бар контейнерде сақтамаңыз.
 - (3) Аккумулятор блогын суға салмаңыз немесе жаңбыр астында қалдырмаңыз.Аккумулятор түйіспелерінің тұйықталуы үлкен ток ағынының пайда болуына, қызып кетуге, ықтимал күйіктерге және тіпті бұзылуға себеп болуы мүмкін.
 6. Құралды және аккумулятор блогын температурасы 50 °C-ден (122 °F) шамасынан асатын жерлерде сақтамаңыз және пайдаланбаңыз.
 7. Аккумулятор блогы қатты зақымдалған немесе толығымен тозған болса да, оны отқа жақпаңыз. Аккумулятор блогы отта жарылып кетуі мүмкін.
 8. Аккумулятор картридждің шегелеуге, кесуге, басуға, лақтыруға, құлатуға немесе оны қатты затпен соғуға болмайды. Бұл әрекеттер өрт, шамадан тыс қызу немесе жарылу жағдайларына алып келуі мүмкін.
 9. Зақымдалған аккумуляторды пайдаланбаңыз.

10. **Жинаққа кіретін литий-ионды аккумуляторлар денсаулыққа және қоршаған ортаға зиянды заттар заңнамасы талаптарына сәйкес қарастырылады.** Коммерциялық тасымалдау үшін, мысалы, үшінші тараптар, экспедиторлар үшін қаптамада және таңбалауда арнайы талаптар сақталуы тиіс. Жіберілетін өнімді дайындау үшін қауіпті заттар бойынша сарапшы маманмен кеңесу керек. Сонымен қатар ұлттық ережелерді де толық қарап шығыңыз. Ашық түйіспелерді жауып, аккумуляторды қаптамаға қозғалмайтындай етіп орналастырыңыз.
11. **Аккумулятор картриджін кедеге жаратқан кезде оны құралдан шығарып алып, қауіпсіз жерде кедеге жаратыңыз.** Аккумуляторды кедеге жаратуға қатысты жергілікті ережелерді орындаңыз.
12. **Аккумуляторларды тек Makita компаниясы көрсеткен өнімдермен бірге пайдаланыңыз.** Аккумуляторларды үйлесімді емес өнімдерге орнату өртке, қызып кетуге, жарылысқа немесе электролит ағуына әкеп соқтыруы мүмкін.
13. **Егер құрал ұзақ уақыт бойы пайдаланылмайтын болса, құралдағы аккумуляторды алып тастау керек.**
14. **Аккумулятор картриджін пайдалану кезінде және пайдаланғаннан кейін, ол қызып, күйікке немесе төмен температуралы күйікке әкелуі мүмкін. Ыстық аккумулятор картридждерімен жұмыс істегенде сақ болыңыз.**
15. **Құралдың клеммасын пайдаланғаннан кейін, оны бірден ұстамаңыз, ол күюге себеп болатындай ыстық болуы мүмкін.**
16. **Аккумулятор картриджінің клеммаларына, саңылауларына және ойықтарына жоңқа, шаң немесе кірдің тұрып қалуын болдырмаңыз.** Бұл құралдың немесе аккумулятор картриджінің сынуына немесе өнімділігінің нашарлауына алып келуі мүмкін.
17. **Егер құрал жоғары вольтты электрлік қуат желілері жанында пайдалануға жарамды болмаса, аккумуляторлық картриджді жоғары вольтты электрлік қуат желілері жанында пайдаланбаңыз.** Бұл құралдың немесе аккумулятор картриджінің істен шығуына немесе сынуына алып келуі мүмкін.
18. **Аккумуляторды балалардан аулақ ұстаңыз.**

ОСЫ НҰСҚАУЛАРДЫ САҚТАҢЫЗ.

▲САҚ БОЛЫҢЫЗ: Тек түпнұсқа Makita аккумуляторларын пайдаланыңыз. Түпнұсқа емес Makita аккумуляторларын немесе өзгертілген аккумуляторларды пайдалану нәтижесінде өрт, жарақат алу немесе зақымдалуға себеп болатын аккумулятор жарылуына әкелуі мүмкін. Ол сондай-ақ Makita құралы мен зарядтау құрылғысы үшін Makita кепілдігінің күшін жояды.

Аккумулятордың максималды қызмет ету мерзімін сақтау бойынша кеңестер

1. **Аккумулятор картриджін қуаты толығымен таусылмас бұрын зарядтаңыз.** Электр құралының қуаты аз екендігін байқаған кезде, құрал жұмысын тоқтатып, аккумулятор картриджін зарядтаңыз.
2. **Толығымен зарядталған аккумулятор картриджін ешқашан қайта зарядтамаңыз.** Артық зарядтау аккумулятордың қызмет ету мерзімін қысқартады.
3. **Аккумулятор картриджін 10 °C – 40 °C (50 °F – 104 °F) бөлме температурасында зарядтаңыз.** Зарядтамас бұрын аккумулятор картриджін суытыңыз.
4. **Аккумулятор картриджін пайдаланбаған уақытта оны құралдан немесе зарядтау құрылғысынан алып тастаңыз.**
5. **Егер аккумулятор картриджін ұзақ уақыт бойы (алты айдан артық) пайдаланбаған болсаңыз, оны зарядтаңыз.**

БӨЛШЕКТЕР СИПАТТАМАСЫ

Бұл ұстағышты Makita компаниясының төменде көрсетілген желдеткіші бар күртелерімен/кеудешелерімен және қыздырылатын күртелерімен/кеудешелерімен/жамылғысымен пайдалануға болады.

► Сурет1

Топ	Үлгісі
A	Желдеткіші бар күрте/кеудеше: DFV210, DFJ206, DFJ207, DFJ210, DFJ211, DFJ212, DFJ213, DFJ214, DFJ216, DFJ304, DFJ305, DFJ310, DFJ311, DFJ405, DFJ407, DFJ410, DFJ411, DFJ416 Қыздырылатын күрте/кеудеше/жамылғы: CV102D, DCV202, CJ105D, CJ106D, DCJ205, DCJ206, CB100D, DCB200
B	Желдеткіші бар күрте/кеудеше: DFJ212A, DFJ213A, DFJ214A, DFJ216A, DFJ312A, DFJ416A, DFV210A, DFV214A

1. Қуат деңгейінің индикаторы

Желдеткіші бар күрте/кеудешені пайдаланған кезде, қуат деңгейі көрсетіледі.

ЕСКЕРТПЕ: Жоғарыда көрсетілген А тобының күртелерін/кеудешелерін пайдаланатын болсаңыз, олардың желдеткіш блогында 3 қадмдық басқару жүйесі қолданылатындықтан, қуат деңгейінің 4-индикаторы жанбайды.

ЕСКЕРТПЕ: Қыздырылатын күрте/кеудешелі жамылғыны пайдаланатын болсаңыз, қуат деңгейінің 4-индикаторы ғана жанады.

2. Қуат түймесі

Іске қосу үшін аккумулятор картриджін салып, қуат деңгейінің индикаторы жанғанша қуат түймесін басып тұрыңыз.

Желдеткіші бар күрте/кеудешенің қуат деңгейін ауыстыру үшін қуат қосылған кезде қуат түймесін жылдам басыңыз.

Оны өшіру үшін, қуат деңгейінің индикаторы өшкенше қуат түймесін басып тұрыңыз.

ЕСКЕРТПЕ: Қыздырылатын күрте/кеудеше/жамылғының жылуын өзгерту үшін, іске қосылған кезде қыздырылатын күрте/кеудеше/жамылғының түймесін басыңыз.

3. Электрлік розетка

Күрте/кеудеше/жамылғының кабелін немесе адаптер кабелін жалғаңыз.

4. Желдеткіші бар күрте/кеудешеге арналған адаптер кабелі (қосымша керек-жарақ)

Жоғарыда көрсетілген А тобының өнімдерін пайдаланған кезде адаптер кабелін қолданыңыз.

5. Қыздырылатын күрте/кеудеше/жамылғыға арналған адаптер кабелі (қосымша керек-жарақ)

Жоғарыда көрсетілген А тобының өнімдерін пайдаланған кезде адаптер кабелін қолданыңыз.

6. Күрте/кеудеше/жамылғының қуат сымы

Жоғарыда көрсетілген А тобының өнімдері үшін, желдеткіші бар күрте/кеудешеге немесе қыздырылатын күрте/кеудеше/жамылғыға арналған үйлесімді адаптер кабелін жалғаңыз.

Жоғарыда көрсетілген В тобының өнімдері үшін, аккумулятор ұстағышының электрлік розеткасына жалғаңыз.

ЕСКЕРТПЕ: Розетканың пішіні мен орналасқан жері күрте/кеудеше/жамылғыға байланысты әртүрлі болуы мүмкін.

7. Аккумулятор картриджі (қосымша керек-жарақ)

Сырт еткен дыбыс естіліп, өз орнында құлыпталғанша, аккумулятор картриджін ұстағышқа итеріп салыңыз.

ФУНКЦИОНАЛДЫҚ СИПАТТАМАСЫ

Аккумулятор картриджін орнату немесе алу

▲ САҚ БОЛЫҢЫЗ: Аккумулятор картриджін орнатқан немесе алған кезде, аккумулятор ұстағышын және аккумулятор картриджін мықтап ұстамаңыз, олардың қолыңыздан сырғып түсіп, нәтижесінде аккумулятор ұстағышының және аккумулятор картриджінің зақымдалуына және/немесе жарақат алуға әкеп соқтыруы мүмкін.

▲ САҚ БОЛЫҢЫЗ: Аккумулятор картриджін алып тастамас бұрын, құрылғыны әрдайым өшіріп отырыңыз.

- **Сурет2:** 1. Қызыл индикатор 2. Түйме
3. Аккумулятор картриджі
4. Аккумулятор ұстағышы

Аккумулятор картриджін орнату үшін, аккумулятор картриджіндегі тілшені корпустың ойықпен туралап, оны орнына сырғытып салыңыз. Сырт еткен дыбыс естіліп, өз орнында құлыпталғанша, аккумулятор картриджін орнына итеріп салыңыз. Егер түйменің жоғарғы жағында қызыл индикатор көрініп тұрса, демек ол толығымен құлыпталмаған.

Аккумулятор картриджін алу үшін картриджін алдыңғы жағындағы түймені басып, оны аккумулятор ұстағышынан сырғытып шығарып алыңыз.

▲ САҚ БОЛЫҢЫЗ: Аккумулятор картриджін әрдайым қызыл индикатор көрінбейтіндей етіп, толығымен орнатыңыз.

Әйтпесе аккумулятор картриджі аккумулятор ұстағышынан абайсызда түсіп қалып, сізді немесе айналаңыздағы адамдарды жарақаттауы мүмкін.

▲ САҚ БОЛЫҢЫЗ: Аккумулятор картриджін күштеп орнатпаңыз. Егер аккумулятор картриджі жеңіл сырғымаса, демек ол дұрыс салынбаған.

Аккумулятор ұстағышын бекіту

Аккумулятор ұстағышын бел буатын белдікке іліп қоюға болады.

Аккумулятор ұстағышының кездейсоқ түсіп кетуіне жол бермеу үшін, бауды бауға арналған саңылаудан өткізіп, бекітіңіз.

- **Сурет3:** 1. Бау тесігі

Аккумулятор ұстағышының түсіп қалуға жол бермейтін функциясы бар. Аккумулятор ұстағышын белдіктен алу кезінде оны босату түймесін басып тұрып, тартыңыз.

- **Сурет4:** 1. Босату түймесі

USB құрылғыларын қосу

▲ САҚ БОЛЫҢЫЗ: USB құрылғысын енгізетін портпен үйлесімді құрылғыларды ғана қосыңыз. Әйтпесе бұл аккумулятор ұстағышының ақаулығына себеп болуы мүмкін.

HAZAP CАЛЫҢЫЗ: USB құрылғысын аккумулятор ұстағышына (аккумулятормен) қосудан бұрын, әрдайым USB құрылғысында деректердің резервтік көшірмесін жасаңыз. Әйтпесе бұл деректеріңіздің жоғалуына себеп болуы мүмкін.

HAZAP CАЛЫҢЫЗ: Аккумулятор ұстағышы кейбір USB құрылғыларын зарядтамауы мүмкін.

HAZAP CАЛЫҢЫЗ: Пайдаланбайтын кезде немесе зарядтаудан кейін, USB кабелін алып тастаңыз және қақпақты жабыңыз.

Аккумулятор ұстағышы (аккумулятор картриджімен) USB құрылғылары үшін сыртқы қуат көзі ретінде жұмыс істеуі мүмкін.

Қақпақты ашып, USB кабелін (бірге берілмеген) аккумулятор ұстағышындағы USB портына жалғаңыз. Содан кейін кабельдің екінші ұшын құрылғыға жалғаңыз. Зарядтауды бастау үшін, қуат индикаторы жанғанша қуат түймесін басып тұрыңыз. Зарядтауды тоқтату үшін, қуат индикаторы сөнгенше қуат түймесін басып тұрыңыз.

► **Сурет5: 1.** Қақпақ **2.** USB порты

ЕСКЕРТПЕ: Іс жүзіндегі шығыс кернеу қосылатын USB құрылғысына байланысты әртүрлі болады.

ЕСКЕРТПЕ: Қуат түймесі қосулы кезде аккумулятор қуаты жұмсалады. Құрылғыны пайдаланбаған кезде ауыстырып-қосқышты әрдайым өшіріп жүріңіз.

ЕСКЕРТПЕ: Бірнеше USB құрылғысын зарядтау кезінде келесі құрылғыны зарядтауды бастаудан бұрын, алдыңғы құрылғының зарядталуы аяқталғаннан кейін шамамен 10 секунд күтіңіз.

ТЕХНИКАЛЫҚ ҚЫЗМЕТ КӨРСЕТУ

HAZAP CАЛЫҢЫЗ: Жанармайды, бензинді, сұйылтқышты, спиртті немесе соған ұқсас заттарды ешқашан пайдаланбаңыз. Нәтижесінде түссіздену, бүліну немесе жарықтар пайда болуы мүмкін.

HAZAP CАЛЫҢЫЗ: Аккумулятор ұстағышын сумен жууға болмайды.

- Корпусағы кірді, шаңды, майды, басқа да қалдықтарды сабынды суға батырылған және жақсылап сығылған таза және құрғақ шүберекпен сүртіп алыңыз.
- Жабдықты шамадан тыс жылу, суық немесе ылғалдың әсері тимейтін жерде ұстаңыз.

Өнімнің ҚАУІПСІЗДІГІ мен СЕНІМДІЛІГІН қамтамасыз ету үшін, жөндеу жұмыстары, кез келген басқа техникалық қызмет көрсету немесе реттеу әрдайым Makita қосалқы бөлшектерін пайдалану арқылы Makita компаниясының өкілетті немесе зауыттық қызмет көрсету орталықтары тарапынан орындалуы керек.

规格

型号	TD00000111 LXT电池组专用电池座	TD00000110 CXT电池组专用电池座
额定电压	D.C. 14.4 V D.C. 18 V	D.C. 10.8 V - 12 V最大
电池组	BL1415N / BL1430B / BL1440 / BL1460B BL1815N / BL1820B / BL1830 / BL1830B / BL1840B / BL1850B / BL1860B	BL1016 / BL1021B / BL1041B
USB供电端口	D.C. 5 V, 2.4 A, A型	
尺寸 (长 × 宽 × 高)	100 mm × 78 mm × 39 mm	88 mm × 61 mm × 33 mm
净重	0.14 kg	0.09 kg

- 部分以上所列电池组是否适用视用户所在地区而异。

警告： 请仅使用以上所列电池组。使用其他类型的电池组可能会导致人身伤害和 / 或失火。

符号

本产品使用以下符号。在使用前请务必理解其含义。



阅读使用说明书。



仅限于欧盟国家
由于本设备中包含有害成分，因此废弃的电气和电子设备、蓄电池和普通电池可能会对环境和人体健康产生负面影响。请勿将电气和电子工具或电池与家庭普通废弃物放在一起处置！
根据欧洲关于废弃电气电子设备、蓄电池和普通电池的指令及其国家层面的修订法案，废弃的电气设备、普通电池和蓄电池应当单独存放并递送至城市垃圾收集点，根据环保法规进行处置。
此规定由标有叉形标志的带轮垃圾桶符号表示。

安全警告

警告： 使用前，请务必阅读采用本工具的Makita（牧田）产品使用说明书。

警告： 本工具只能与Makita（牧田）指定的产品搭配使用。若与不兼容的产品搭配使用可能会导致火灾、过热、爆炸或电解液泄漏。

电气安全

- 如果手上潮湿或者有油脂，请勿操作导线与电池。
- 请勿使用损坏的USB电缆。
- 请勿滥用导线。请勿用导线携带、拖拽或插拔工具。避免使导线受热、沾染油脂和碰到尖锐的边缘。
- 使用电池供电时，请勿将任何导线断开。婴童可能将带电插头放入口中，并导致受伤。
- 不得将钉子、导线或其他物件插入USB供电端口。否则可能引起短路，可能导致冒烟或起火。
- 请勿将电源与USB端口连结。USB端口仅可用于对低压设备进行充电。如果不对低压设备进行充电，则需对USB端口加盖。否则，可能有起火的风险。


7. 请仅使用制造商指定的充电器进行充电。将适用于某一种类型电池组的充电器用于其他类型的电池组时，可能会导致起火。
8. 此工具只能与指定的专用电池组搭配使用。使用其他类型的电池组可能会导致人身伤害或起火。
9. 不使用电池组时请将其远离纸夹、硬币、钥匙、钉子、螺丝或其他小型金属物体放置。这些物体可能会使电池端子短路。这些物体可能会使电池端子短路，引起燃烧或起火。
10. 使用过度时，电池中可能溢出液体。请避免接触。如果意外接触到电池漏液，请用水冲洗。如果液体接触到眼睛，请就医。电池漏液可能会导致过敏发炎或灼伤。
11. 若电池或其搭配使用的工具已损坏或经过改装，请勿继续使用。已损坏或改装过的电池或工具可能产生无法预测的结果，由此可能导致起火、爆炸或人员伤害。
12. 避免电池组暴露于火焰或高温下。暴露于火或高于130°C的高温中可能导致爆炸。
13. 遵循所有充电说明，请勿在说明书中指定的温度范围之外对电池组充电。不正确充电或在指定的温度范围外充电可能会损坏电池并增加着火的风险。
14. 由具备必要资质的专业维修人员进行维修并只使用与原部件相同的更换部件。这样可确保产品的安全性。
15. 除非在使用和维护说明中另有指示，否则请勿改装或尝试维修工具或电池组。

电池组的重要安全注意事项

1. 在使用电池组之前，请仔细阅读所有的说明以及(1) 电池充电器，(2) 电池，以及(3) 使用电池的产品上的警告标记。
2. 切勿拆卸或改装电池组。否则可能引起火灾、过热或爆炸。
3. 如果机器运行时间变得过短，请立即停止使用。否则可能会导致过热、起火甚至爆炸。
4. 如果电解液进入您的眼睛，用清水将其冲洗干净并立即就医。否则可能会导致视力受损。
5. 请勿使电池组短路：
 - (1) 请勿使任何导电材料碰触到端子。
 - (2) 避免将电池组与其他金属物品如钉子、硬币等放置在同一容器内。
 - (3) 请勿将电池组置于水中或使其淋雨。

6. 电池短路将产生大的电流，导致过热，并可能导致起火甚至击穿。
6. 请勿在温度可能达到或超过50°C (122°F) 的场所存放以及使用工具和电池组。
7. 即使电池组已经严重损坏或完全磨损，也请勿焚烧电池组。电池组会在火中爆炸。
8. 请勿对电池组射钉，或者切割、挤压、抛掷、掉落电池组，又或者用硬物撞击电池组。否则可能引起火灾、过热或爆炸。
9. 请勿使用损坏的电池。
10. 本工具附带的锂离子电池需符合危险品法规要求。
第三方或转运代理等进行商业运输时，应遵循包装和标识方面的特殊要求。有关运输项目的准备作业，咨询危险品方面的专业人士。同时，请遵守可能更为详尽的国家法规。
请使用胶带保护且勿遮掩表面的联络信息，并牢固封装电池，使电池在包装内不可动。
11. 丢弃电池组时，需将其从工具上卸下并在安全地带进行处理。关于如何处理废弃的电池，请遵循当地法规。
12. 仅将电池用于Makita（牧田）指定的产品。将电池安装至不兼容的产品会导致起火、过热、爆炸或电解液泄漏。
13. 如长时间未使用工具，必须将电池从工具内取出。
14. 使用工具期间以及使用工具之后，电池组温度可能较高易引起灼伤或低温烫伤。处理高温电池组时请小心操作。
15. 在使用工具后请勿立即触碰工具的端子，否则可能引起灼伤。
16. 避免锯屑、灰尘或泥土卡入电池组的端子、孔口和凹槽内。否则可能导致工具或电池组性能下降或故障。
17. 除非工具支持在高压电源线路附近使用，否则请勿在高压电源线路附近使用电池组。否则可能导致工具或电池组故障或失常。
18. 确保电池远离儿童。

请保留此说明书。

 **小心：** 请仅使用Makita（牧田）原装电池。使用非Makita（牧田）原装电池或经过改装的电池可能会导致电池爆炸，从而造成火灾、人身伤害或物品受损。同时也会导致牧田工具和充电器的牧田保修服务失效。

保持电池最大使用寿命的提示

1. 在电池组电量完全耗尽前及时充电。发现工具电量低时，请停止工具操作，并给电池组充电。
2. 请勿对已充满电的电池组重新充电。过度充电将缩短电池的使用寿命。
3. 请在10 °C - 40 °C (50 °F - 104 °F) 的室温条件下给电池组充电。请在灼热的电池组冷却后再充电。
4. 不使用电池组时，请将其从工具或充电器上拆除。
5. 如果电池组长时间（超过六个月）未使用，请给其充电。

部件说明

此电池座可用于以下Makita（牧田）风扇夹克/背心和发热保暖夹克/背心/电热毯。

► 图片1

组类	型号
A	风扇夹克/背心： DFV210, DFJ206, DFJ207, DFJ210, DFJ211, DFJ212, DFJ213, DFJ214, DFJ216, DFJ304, DFJ305, DFJ310, DFJ311, DFJ405, DFJ407, DFJ410, DFJ411, DFJ416 发热保暖夹克/背心/电热毯： CV102D, DCV202, CJ105D, CJ106D, DCJ205, DCJ206, CB100D, DCB200
B	风扇夹克/背心： DFJ212A, DFJ213A, DFJ214A, DFJ216A, DFJ312A, DFJ416A, DFV210A, DFV214A

1. 功率级别指示灯

当使用风扇夹克/背心时，会显示功率级别。

注：当使用以上列表中的A组风扇夹克/背心时，由于其风扇组件采用3级控制方式，因此功率级别指示灯4不会点亮。

注：当使用发热保暖夹克/背心/电热毯时，只有功率级别指示灯4会点亮。

2. 电源按钮

若要开机，请插入电池组，然后按住电源按钮直至功率级别指示灯点亮。

若要更改风扇夹克/背心的功率级别，请在电源开启时快速按下电源按钮。

若要关机，请按住电源按钮直至功率级别指示灯熄灭为止。

注：若要更改发热保暖夹克/背心/电热毯的发热量，请在发热保暖夹克/背心/电热毯通电时按下其按钮。

3. 电源插座

连接夹克/背心/电热毯电缆或适配器电缆。

4. 风扇夹克/背心的适配器电缆（选购附件）

当使用以上列表中的A组产品时，请搭配使用适配器电缆。

5. 发热保暖夹克/背心/电热毯的适配器电缆（选购附件）

当使用以上列表中的A组产品时，请搭配使用适配器电缆。

6. 夹克/背心/电热毯电源线

当使用以上列表中的A组产品时，请为风扇夹克/背心或发热保暖夹克/背心/电热毯连接合适的适配器电缆。

当使用以上列表中的B组产品时，请连接电池座的电源插座。

注：电源插座的形状和位置因夹克/背心/电热毯不同而存在差异。

7. 电池组（选购附件）

将电池组完全插入电池座，直至其被锁定并发出轻微卡嗒声为止。

功能描述

安装或拆卸电池组

⚠小心：安装或拆卸电池组时请握紧电池座和电池组。否则它们可能从您的手中滑落，导致电池座和电池组受损，甚至造成人身伤害。

⚠小心：拆卸电池组之前，请务必关闭设备。

► 图片2: 1. 红色指示灯 2. 按钮 3. 电池组 4. 电池座

安装电池组时，要将电池组上的舌簧与外罩上的凹槽对齐，然后推滑到位。务必将电池组完全插入到位，直到其被锁定并发出卡嗒声为止。如果插入后仍能看到按钮上侧的红色指示灯，则说明其未完全锁紧。

拆卸电池组时，按下电池组前侧的按钮，同时将电池组从电池座中滑出。

⚠️小心：务必完全装入电池组，直至看不见红色指示灯。否则它可能会意外从电池座中脱落，从而造成自身或他人受伤。

⚠️小心：请勿强行安装电池组。如果电池组难以插入，可能是插入方法不当。

安装电池座

您可以将电池座悬挂在腰带上。为避免电池座意外掉落，使用带孔系一根绑带，然后对其进行固定。

► **图片3：1.** 带孔

电池座具有防掉落功能。将电池座从腰带取下时，请在按下解锁按钮的同时拉动电池座。

► **图片4：1.** 解锁按钮

连结USB设备

⚠️小心：仅连结与USB电源端口兼容的设备。否则，将会导致电池座故障。

注意：将USB设备与电池座（带电池）连接之前，请对USB设备上的数据进行备份。否则，将可能导致数据丢失。

注意：电池座可能不会给某些USB设备供电。

注意：不使用时或充电后，取下USB电缆并盖好盖子。

电池座（含电池组）可用作USB设备的外部电源。

打开盖板，然后将USB电缆（未包含）连接至电池座的USB端口。随后将电缆的另一端连接至设备。若要开始充电，请按住电源按钮直至功率级别指示灯点亮。若要停止充电，请按住电源按钮直至功率级别指示灯熄灭。

► **图片5：1.** 盖板 **2.** USB端口

注：实际输出电流因连接的USB设备不同而变化。

注：开启电源按钮后会消耗电池电量。因此不使用时，务必关闭开关。

注：连续给多个USB设备充电时，在前一设备充电完成后等待约10秒后再开始给下一设备充电。

保养

注意：切勿使用汽油、苯、稀释剂、酒精或类似物品清洁工具。否则可能会导致工具变色、变形或出现裂缝。

注意：请勿用水清洗电池座。

- 请用清洁的干布或浸有肥皂水并且拧干的布料擦除污垢、灰尘和油脂等异物。
- 确保工具所在区域不会出现过热、过冷或湿度过大的情况。

为了保证产品的安全与可靠性，维修、任何其他维修保养或调节需由Makita（牧田）授权的或工厂维修服务中心完成。务必使用Makita（牧田）的替换部件。

規格

型號	TD0000111 LXT 電池組電池座	TD0000110 CXT 電池組電池座
額定電壓	D.C. 14.4 V D.C. 18 V	D.C. 10.8 V - 12 V (最大)
電池組	BL1415N / BL1430B / BL1440 / BL1460B BL1815N / BL1820B / BL1830 / BL1830B / BL1840B / BL1850B / BL1860B	BL1016 / BL1021B / BL1041B
USB 電源埠	D.C. 5V · 2.4 A · A 型	
尺寸 (長 × 寬 × 高)	100 mm x 78 mm x 39 mm	88 mm x 61 mm x 33 mm
淨重	0.14 kg	0.09 kg

- 上述某些電池組可能會因居住地區而無法使用。

⚠警告：務必使用上述的電池組。使用任何其他電池組可能會導致人員受傷和/或火災。

符號

本產品使用下列部分符號。使用前，請務必理解其含義。



請仔細閱讀使用說明書。



僅用於歐盟國家

由於本設備中存有危險組件，廢棄電氣與電子設備、蓄電池與電池可能會對環境與人體健康產生負面影響。

請勿將電氣與電子器具或電池和家庭廢棄物一同處理！

根據針對廢棄電氣與電子設備、蓄電池與電池及廢棄蓄電池與電池制訂的歐洲指令及其對本國法律的修改版，應依照環境保護法規個別存放廢棄電氣設備、電池與蓄電池，並將其送至都市垃圾獨立回收點。這類設備會在設備上以打叉的滑輪垃圾桶作為符號標示。

安全警告

⚠警告：使用前，請務必詳閱欲搭配本器具使用的 Makita (牧田) 產品使用說明書。

⚠警告：本器具僅可用於 Makita (牧田) 規定產品。將本器具用於非相容產品可能會導致起火、過熱、爆炸或電解液滲漏情形。

電氣安全

1. 請勿於雙手潮濕或油膩的情形下，處理電線和電池。
2. 請勿使用損壞的 USB 纜線。
3. 請勿不當使用電線。搬動、拉動器具或拔除插頭時，請勿拉扯電線。使電線遠離熱源、油液及銳利邊緣。
4. 請勿在供應電源的情形下，將電線拔除。幼童可能會將帶電的插頭放入口中並因此受傷。
5. 請勿在 USB 電源埠中插入釘子、電線或其他物品。這麼做可能導致短路，因而造成冒煙或起火。
6. 請勿將電源線連接至 USB 連接埠。USB 連接埠僅供低電壓裝置充電使用。未用於低電壓裝置充電時，請一律以保護蓋罩住 USB 連接埠。否則恐有起火之虞。


- 僅使用製造商指定的充電器進行充電。使用適用於某一類型電池組的充電器給其他電池組充電可能會引起火災。
- 僅限使用專門設計的電池組操作器具。使用任何其他電池組可能會造成人員受傷及火災。
- 不使用電池組時請將其遠離紙夾、硬幣、鑰匙、釘子、螺絲或其他小型金屬物體放置。這些物體可能會使電池端子短路。短接電池端子可能會引起燃燒或起火。
- 使用過度時，電池中可能溢出液體；請避免接觸。如果意外接觸到電池漏液，請用水沖洗。如果液體接觸到眼睛，請就醫。電池漏液可能會導致過敏發炎或灼傷。
- 請勿使用損壞或經改裝的電池，或欲搭配電池使用的器具。損壞或經改裝的電池或器具可能會出現無法預料的運作情形，而引發火災、爆炸或人員受傷風險。
- 請勿將電池組暴露於火源或高溫環境。暴露於火源或 130 °C 以上的高溫可能會發生爆炸。
- 請遵守所有充電說明，並勿於說明中指定之溫度範圍外進行電池組充電。以錯誤的方式或於指定之溫度範圍外進行充電，可能會損壞電池，並增加火災風險。
- 請交由合格維修人員僅使用相同的更換零件進行修理工作。如此可確保所維修產品的安全性。
- 除使用和注意事項說明中的指示外，請勿改裝或嘗試維修器具或電池組。

電池組的重要安全須知

- 使用電池組之前，請閱讀（1）充電器、（2）電池和（3）使用電池的產品上的所有指示說明和注意標識。
- 請勿拆解或改裝電池組。以免引發火災、過熱或爆炸。
- 如果工具運行時間極短，請立即停止使用。否則可能會導致過熱、起火甚至爆炸。
- 如果電解液進入眼睛，請立即用清水沖洗並就醫。這種情況可能會導致失明。
- 請勿短接電池組：
 - 請勿用任何導電材料觸碰電池端子。
 - 避免將電池組與釘子、硬幣等金屬物品存放在同一容器中。
 - 請勿將電池組置於水中或使其淋雨。電池短路會產生較大的電流、導致過熱並可能引起起火甚至擊穿。

- 請勿在溫度可能達到或超過 50°C 的場所存放或使用工具和電池組。
- 請勿焚燒電池組，即使其已嚴重損壞或徹底磨損。電池組會在火中爆炸。
- 請勿釘牢、切割、輾壓、丟擲、摔落電池組，或使電池組撞擊硬物。這類行為可能會引發火災、過熱或爆炸。
- 請勿使用損壞的電池。
- 本工具附帶的鋰離子電池需符合危險品法規要求。
第三方或轉運代理在進行商業運輸時，應遵循包裝和標識方面的特殊要求。有關運輸項目的準備作業，諮詢危險品方面的專業人士。同時，請遵守可能更詳盡的國家法規。
請使用膠帶保護且勿遮掩表面的聯絡資訊，並牢固封裝電池，使電池在包裝內不可動。
- 廢棄電池須移出工具並安全地棄置。關於如何處理廢棄的電池，請遵循當地法規。
- 電池僅可用於 Makita（牧田）規定產品。將電池裝入非相容產品中可能會導致起火、過熱、爆炸或電解液滲漏情形。
- 若工具長期不使用，電池須從工具移出。
- 使用期間和之後，電池組可能會發燙，因而造成燙傷或低溫灼傷。處理發燙的電池組時，請多加小心。
- 使用後請勿立即觸碰工具的端子，因為端子溫度極高，足以造成燙傷。
- 請勿讓碎屑或塵土卡在電池組的端子、孔洞和溝槽。以免造成工具或電池組性能下降或故障。
- 除非工具支援在高電壓電氣線路附近使用，否則請勿在高電壓電氣線路附近使用電池組。以免造成工具或電池組失常或故障。
- 將電池置於孩童無法觸及之處。

妥善保存這些手冊。

 **小心：**請僅使用原裝 Makita（牧田）電池。使用非原裝 Makita（牧田）電池或經過改裝的電池可能會導致電池爆炸，從而造成火災、人身傷害或物品受損。同時也會導致牧田工具和充電器的牧田保修服務失效。

保持電池最大使用壽命的提示

1. 要在電池組完全放電前對其充電。當發現工具動力不足時，一定要停止使用工具並對電池組進行充電。
2. 切勿對已經充滿的電池組再次充電。過度充電會縮短電池的使用壽命。
3. 要在室溫為 10°C – 40°C 的條件下對電池組充電。請在充電前使處於發熱狀態的電池組冷卻。
4. 不使用電池組時，請將其從工具或充電器取下。
5. 如果電池組長時間（超過六個月）未使用，請給其充電。

部件說明

此充電座可用於下列 Makita（牧田）風扇外套／背心及發熱保暖外套／背心／電熱毯。

► 圖片 1

類別	型號
A	風扇外套／背心： DFV210, DFJ206, DFJ211, DFJ212, DFJ210, DFJ211, DFJ212, DFJ213, DFJ214, DFJ216, DFJ304, DFJ305, DFJ310, DFJ311, DFJ405, DFJ407, DFJ410, DFJ411, DFJ416 發熱保暖外套／背心／電熱毯： CV102D, DCV202, CJ105D, CJ106D, DCJ205, DCJ206, CB100D, DCB200
B	風扇外套／背心： DFJ212A, DFJ213A, DFJ214A, DFJ216A, DFJ312A, DFJ416A, DFV210A, DFV214A

1. 功率位準指示器

使用風扇外套／背心時，將會顯示功率位準。

注：若使用上述 A 類的風扇外套／背心，由於其風扇單元採 3 段式控制，因此功率位準指示器 4 不會亮起。

注：若使用發熱保暖外套／背心／電熱毯，僅功率位準指示器 4 會亮起。

2. 電源按鈕

若要開啟電源，請插入電池組並按住電源按鈕，直到功率位準指示器亮起為止。
若要變更風扇外套／背心的功率位準，請在電源開啟時短按電源按鈕。
若要關閉電源，請按住電源按鈕，直到功率位準指示器熄滅為止。

注：若要變更發熱保暖外套／背心／電熱毯的暖度，請在電源開啟時按下發熱保暖外套／背心／電熱毯上的按鈕。

3. 插座

連接外套／背心／電熱毯的電纜或變壓器電纜。

4. 用於外套／背心的變壓器電纜（選購配件）

使用上述 A 類產品時，請使用變壓器電纜。

5. 用於發熱保暖外套／背心／電熱毯的變壓器電纜（選購配件）

使用上述 A 類產品時，請使用變壓器電纜。

6. 用於外套／背心／電熱毯的電線

針對上述 A 類產品，請連接風扇外套／背心或發熱保暖外套／背心／電熱毯的適用變壓器電纜。

針對上述 B 類產品，請連接至電池座的插座。

注：視外套／背心／電熱毯而定，插座的形狀和位置可能不同。

7. 電池組（選購配件）

請將電池組插入電池座底，直到聽見小聲的喀嗒聲鎖入定位為止。

功能描述

安裝或拆卸電池組

⚠️ 小心：安裝或拆卸電池組時，請拿穩電池座和電池組。若未拿穩電池座和電池組，可能導致它們從您手中滑落，造成電池座和電池組損壞及／或人身傷害。

⚠️ 小心：拆卸電池組前，請務必關閉裝置電源。

► 圖片 2: 1. 紅色指示燈 2. 按鈕 3. 電池組 4. 電池座

安裝電池組時，將電池組舌片對準電池倉槽溝，將其滑入正確位置。將電池組插到底，直到發出喀嗒聲並鎖入定位為止。如果您尚能看見按鈕上側的紅色指示燈，則說明還未完全鎖定。

拆卸電池組時，請按壓電池組前側按鈕，同時將其從電池座中抽出。

⚠️ 小心：務必將電池組完全插入，直至看不到紅色指示燈為止。否則電池組可能會不小心從電池座中脫落，造成您自身或周圍人員受傷。

⚠️ 小心：請勿強行安裝電池組。如果電池組滑入不順暢，表示未正確插入。

安裝電池座

您可將電池座掛於腰帶上。

為防電池座意外掉落，請將繫帶穿過繫帶孔並固定好。

▶ **圖片3:** 1. 繫帶孔

電池座具有防落功能。從腰帶上取下電池座時，請在按下開鎖按鈕的同時將電池座拉出。

▶ **圖片4:** 1. 開鎖按鈕

連接 USB 裝置

⚠️ 小心：僅可連接與 USB 電源供應埠相容的裝置。否則會造成電池座故障。

注意：將 USB 裝置連接至電池座（內有電池）前，請務必備份 USB 裝置中的資料。否則資料恐有遺失之虞。

注意：電池座可能無法為某些 USB 裝置供電。

注意：不使用或充電後，請拔除 USB 纜線並關上外蓋。

電池座（含電池組）可當成外部電源供 USB 裝置使用。

打開外蓋並將 USB 纜線（未隨附）連接至電池座的 USB 連接埠。接著，將纜線的另一端連接至裝置。若要開始充電，請按住電源按鈕，直到功率位準指示器亮起為止。若要停止充電，請按住電源按鈕，直到功率位準指示器熄滅為止。

▶ **圖片5:** 1. 保護蓋 2. USB 連接埠

注：實際輸出電流會視連接的 USB 裝置而異。

注：電源按鈕開啟時會持續消耗電池電量。不使用時，務必關閉開關。

注：為多部 USB 裝置連續充電時，在完成上一部裝置充電後請等待約 10 秒再開始為下一部裝置充電。

保養

注意：切勿使用汽油、苯、稀釋劑、酒精或類似物品清潔工具。否則可能會導致工具變色、變形或出現裂縫。

注意：請勿用水清洗電池座。

- 請以乾淨的乾布或泡過肥皂水並擰乾的布拭去外殼上的髒汙、灰塵、油液及油漬等。
- 請將本器具放置在不會過度高溫、低溫或潮濕的地方。

為了保證產品的安全與可靠性，任何維修或其他維修保養工作需由 Makita（牧田）授權的或工廠維修服務中心來進行。務必使用 Makita（牧田）的更換部件。

台灣 RoHS 限用物質含有量標示
請掃描右方 QR Code 或參考下列網址；
<https://makita.com.tw/rohs/>



生產製造商名稱：**Makita Corporation**

進口商名稱：台灣牧田股份有限公司

電話：02-8601-9898

傳真機：02-8601-2266

地址：新北市 24459 林口區文化三路二段 798 號

사양

모델	TD00000111 LXT 배터리 카트리지를 배터리 홀더	TD00000110 CXT 배터리 카트리지를 배터리 홀더
정격 전압	D.C. 14.4V D.C. 18 V	D.C. 10.8V~12V 최대
배터리 카트리지	BL1415N / BL1430B / BL1440 / BL1460B BL1815N / BL1820B / BL1830 / BL1830B / BL1840B / BL1850B / BL1860B	BL1016 / BL1021B / BL1041B
USB 전원 공급 포트	D.C. 5V, 2.4A, A형	
치수(L x W x H)	100mm x 78mm x 39mm	88mm x 61mm x 33mm
중량	0.14kg	0.09kg

- 위에 기재된 일부 배터리 카트리지는 거주 지역에 따라 이용할 수 없는 경우가 있습니다.

⚠경고: 배터리 카트리지는 위에 기재된 것만 사용하셔야 합니다. 다른 배터리를 사용하면 대인 상해 및/또는 화재의 위험이 야기될 수 있습니다.

기호

본 제품에는 다음과 같은 기호가 표기되어 있습니다. 사용하시기 전에 그 의미를 숙지하여 주십시오.



취급 설명서를 참조하여 주십시오.



Ni-MH
Li-ion

EU 국가만 해당 장비에는 위험한 부품이 존재하기 때문에 전기 및 전자 장비, 축전지, 배터리 폐기물은 환경과 인체 건강에 부정적인 영향을 미칠 수 있습니다. 전기 및 전자 가전제품 또는 배터리는 가정용 쓰레기와 함께 폐기하지 마십시오! 전기 및 전자 장비 폐기물, 축전지 및 배터리와 축전지 및 배터리 폐기물에 대한 유럽 지침과 이에 따른 국내법에 따라, 전기 장비, 배터리, 축전지 폐기물은 따로 수거하여 환경 보호 규정에 따라 운영되는 별도의 자치 폐기물 수거 장소로 전달해야 합니다. 장비에 있는 X자 표시된 바퀴 달린 쓰레기통 기호가 이를 나타냅니다.

- 배터리 전원이 공급되는 동안 어떤 코드도 분리된 상태로 두지 마십시오. 전기가 통하는 플러그를 어린이가 입에 넣으면 부상을 당할 수 있습니다.
- USB** 전원 공급 포트에 못, 철사 또는 기타 물체를 넣지 마십시오. 그럴 경우 단락이 발생하여 연기가 화재가 발생할 수 있습니다.
- 전원을 **USB** 포트에 연결하지 마십시오. **USB** 포트는 저전압 장치의 충전에만 사용할 수 있습니다. 저전압 장치를 충전하지 않을 때는 **USB** 포트에 반드시 커버를 씌우십시오. 그렇지 않으면 화재의 원인이 될 수 있습니다.
- 제조자가 지정한 충전기만 사용하여 충전하십시오. 한 가지 형태의 배터리 팩에 적합한 충전기는 다른 배터리 팩과 함께 사용하면 위험을 야기할 수 있습니다.
- 기기에는 지정된 배터리 팩만 사용하십시오. 다른 배터리 팩을 사용하면 대인 상해 및 화재의 위험이 발생할 수 있습니다.
- 배터리 팩을 사용하지 않을 때는 양 전극이 통하도록 하는 종이 클립, 동전, 열쇠, 못, 나사 및 기타 소형 금속 물질을 주변에 두지 마십시오. 배터리 전극을 단락시켜 화상이나 화재가 일어날 수 있습니다.
- 험한 환경에서 사용할 경우 배터리에서 배터리 액이 누출될 수 있으므로 몸에 닿지 않도록 주의하십시오. 실수로 접촉한 경우에는 물로 씻어 주십시오. 액체가 눈에 들어간 경우에는 의사를 찾아가십시오. 배터리에서 흘러나온 액체는 염증이나 화상을 일으킬 수 있습니다.
- 배터리 또는 배터리와 함께 사용하기가 손상되거나 개조된 경우에는 사용하지 마십시오. 손상되거나 개조된 배터리나 기기는 예기치 못한 현상으로 화재, 폭발 또는 부상으로 이어질 수 있습니다.
- 배터리 팩을 볼 또는 너무 높은 온도에 노출하지 마십시오. 불이나 130°C 이상의 높은 온도에 노출시키면 폭발의 원인이 될 수 있습니다.
- 충전에 관한 모든 지시를 따르고, 설명서에 지정된 온도 범위 밖에서 배터리 팩을 충전하지 마십시오. 지정된 온도 범위 밖 또는 부적절한 충전은 배터리에 손상을 주고 화재의 위험을 높일 수 있습니다.
- Makita** 순정부품만을 사용하는 자격을 갖춘 전문가에게 수리를 받으십시오. 그러면 제품을 안전하게 사용하는 데 도움이 됩니다.

안전 경고

⚠경고: 사용 전에 이 기기와 함께 사용할 **Makita** 제품의 사용 설명서를 반드시 숙지하십시오.

⚠경고: 이 기기는 **Makita**가 지정한 제품에만 사용하십시오. 기기를 호환성이 없는 제품에 사용하면 화재, 과열, 폭발 또는 전해질 누출을 유발할 수 있습니다.

전기 안전

- 젖었거나 윤활유가 묻은 손으로 코드 및 배터리를 만지지 마십시오.
- 손상된 **USB** 케이블은 사용하지 마십시오.
- 코드를 함부로 다루지 마십시오. 코드를 운반하거나 당기거나 뽑는 데 사용하지 마십시오. 코드가 열이나 기름, 땀 등 다른 곳에 닿지 않도록 주의하여 주십시오.

15. 사용 및 관리에 관한 취급에서 설명한 경우를 제외하고 기구나 배터리 팩을 개조하거나 수리하지 마십시오.

배터리 카트리지에 대한 중요한 안전 규칙

1. 배터리 카트리지를 사용하기 전에 (1) 배터리 충전기 (2) 배터리 (3) 배터리를 사용하는 제품에 관한 모든 지시사항 및 주의 표시를 숙지하여 주십시오.
2. 배터리 카트리지를 분해하거나 개조하지 마십시오. 화재, 과열, 폭발을 유발할 수 있습니다.
3. 작동 시간이 지나치게 짧아진 경우에는 작동을 즉시 멈춰 주십시오. 과열이나 화상 혹은 폭발할 위험이 있습니다.
4. 전해질이 눈에 들어간 경우에는 깨끗한 물로 씻어낸 다음 즉시 치료를 받으십시오. 시력을 잃을 수 있습니다.
5. 배터리 카트리지를 단락시키지 마십시오:
 - (1) 전도성 물질을 단자에 대지 마십시오.
 - (2) 못, 동전 등과 같은 금속 물질이 들어 있는 용기에 배터리 카트리지를 보관하지 마십시오.
 - (3) 배터리 카트리지를 물이나 비에 노출시키지 마십시오.
 배터리가 단락되어 과전류, 과열, 화상 및 고장이 일어날 수 있습니다.
6. 온도가 50°C 이상 되는 곳에서 공구와 배터리 카트리지를 보관하거나 사용하지 마십시오.
7. 심하게 손상되었거나 완전히 닳은 경우라도 배터리 카트리지를 대우하지 마십시오. 배터리 카트리가 폭발할 수 있습니다.
8. 배터리 카트리지를 못으로 박거나 자르거나 부수거나 던지거나 떨어뜨리지 말고 딱딱한 물건으로 배터리 카트리지를 두드리지 마십시오. 화재, 과열, 폭발을 유발할 수 있습니다.
9. 손상된 배터리를 사용하지 마십시오.
10. 포함된 리튬이온 배터리는 위험을 규정 요건을 따릅니다. 제3자, 포워드 업체와 같은 상업적 운송을 이용할 때는 포장 및 라벨에 대한 특별 요건이 반드시 준수되어야 합니다. 그 품목의 운송 준비에는 위험 물질 전문가에게 상담하십시오. 또한 좀 더 세부적인 것은 각 국가 규정에 따르십시오. 테이프를 붙이거나 개봉 접점을 가린 상태로 포장을 해서 운송용 상자 안에서 배터리가 움직이지 못하도록 하십시오.
11. 배터리 카트리지를 폐기할 때는 공구에서 배터리를 꺼내 안전한 장소에 폐기하십시오. 배터리 처리에 관해서는 지역 규정에 따르십시오.
12. 배터리는 마끼다가 지정한 제품에만 사용하십시오. 배터리를 호환성이 없는 제품에 설치하면 화재, 과열, 폭발 또는 전해질 누출을 유발할 수 있습니다.
13. 공구를 장시간 사용하지 않으면 공구에서 배터리를 제거해야 합니다.
14. 사용 중 및 사용 후에는 배터리 카트리에 열이 가해져 화상이나 저온 화상을 유발할 수 있습니다. 뜨거운 배터리 카트리지를 다룰 때는 취급에 주의하십시오.
15. 사용 직후에는 화상을 입을 정도로 뜨거워질 수 있으므로 공구의 단자를 만지지 마십시오.

16. 배터리 카트리의 단자, 구멍, 홈에 부스러기, 먼지 또는 흙이 들어가지 않도록 주의하여 주십시오. 공구 또는 배터리 카트리의 성능이 저하되거나 고장 날 수 있습니다.
17. 공구가 고전압 전력선 근처에서의 사용을 지원하지 않는다면 배터리 카트리지를 고전압 전력선 근처에서 사용하지 마십시오. 공구 또는 배터리 카트리가 오작동하거나 고장 날 수 있습니다.
18. 어린이의 손이 닿지 않는 곳에 배터리를 보관하십시오.

본 취급 설명서를 잘 보관하여 주십시오.

▲ 주의: 정품 마끼다 배터리만 사용하십시오. 순정품이 아닌 마끼다 배터리 또는 개조된 배터리를 사용하면 배터리 폭발이 발생하여 화재, 개인 부상 및 손상의 원인이 될 수 있습니다. 또한, 마끼다 공구 및 충전기에 대한 마끼다 보증이 무효가 됩니다.

배터리 수명을 최대한 유지하는 방법

1. 완전히 방전되기 전에 배터리 카트리지를 충전합니다. 공구의 힘이 약해진 것을 감지했을 때 공구의 작동을 멈추고 배터리 카트리지를 충전합니다.
2. 완전히 충전된 배터리 카트리지를 재충전하지 마십시오. 과충전은 배터리의 수명을 단축시킵니다.
3. 실내 온도 10°C~40°C에서 배터리 카트리지를 충전합니다. 충전하기 전에 뜨거운 배터리 카트리지를 식힙니다.
4. 배터리 카트리지를 사용하지 않을 때는 공구 또는 충전기에서 배터리를 제거하십시오.
5. 6개월 이상 장기간 배터리 카트리지를 사용하지 않을 때는 충전한 다음 보관해 주십시오.

각부 명칭

이 출되는 다음 Makita 팬 재킷/조끼 및 보온 재킷/조끼/담요에 사용할 수 있습니다.

▶ 그림 1

그룹	모델
A	팬 재킷/조끼: DFV210, DFJ206, DFJ207, DFJ210, DFJ211, DFJ212, DFJ213, DFJ214, DFJ216, DFJ304, DFJ305, DFJ310, DFJ311, DFJ405, DFJ407, DFJ410, DFJ411, DFJ416 보온 재킷/조끼/담요: CV102D, DCV202, CJ105D, CJ106D, DCJ205, DCJ206, CB100D, DCB200
B	팬 재킷/조끼: DFJ212A, DFJ213A, DFJ214A, DFJ216A, DFJ312A, DFJ416A, DFV210A, DFV214A

1. 파워 레벨 표시기

팬 재킷/조끼를 사용할 때 파워 레벨이 표시됩니다.

참고: 위에 나열된 그룹 A의 팬 재킷/조끼를 사용하는 경우 팬 장치는 3단계 제어를 사용하므로 파워 레벨 표시기 4가 켜지지 않습니다.

참고: 보온 재킷/조끼/담요를 사용하는 경우 파워 레벨 표시기 4만 켜집니다.

2. 전원 버튼

전원을 켜려면 배터리 카트리지를 넣은 다음 파워 레벨 표시기가 켜질 때까지 전원 버튼을 길게 누릅니다. 팬 재킷/조끼의 파워 레벨을 변경하려면 전원이 켜진 상태에서 전원 버튼을 짧게 누릅니다. 전원을 끄려면 파워 레벨 표시기가 꺼질 때까지 전원 버튼을 길게 누릅니다.

참고: 보온 재킷/조끼/담요의 온도를 변경하려면 전원이 켜진 상태에서 보온 재킷/조끼/담요의 버튼을 눌러 주십시오.

3. 전원 소켓

재킷/조끼/담요 또는 어댑터 케이블에서 케이블을 연결합니다.

4. 팬 재킷/조끼용 어댑터 케이블(별매품)

위에 나열된 그룹 A의 제품을 사용할 때는 어댑터 케이블을 사용합니다.

5. 보온 재킷/조끼/담요용 어댑터 케이블(별매품)

위에 나열된 그룹 A의 제품을 사용할 때는 어댑터 케이블을 사용합니다.

6. 재킷/조끼/담요의 전원 코드

위에 나열된 그룹 A의 제품은 팬 재킷/조끼 또는 보온 재킷/조끼/담요에 적합한 어댑터 케이블을 연결합니다.

위에 나열된 그룹 B의 제품은 배터리 홀더의 전원 소켓에 연결합니다.

참고: 소켓의 모양과 위치는 재킷/조끼/담요에 따라 다릅니다.

7. 배터리 카트리지(별매품)

배터리 카트리지를 작게 딸깍 소리가 나면서 제자리에 들어가 잠길 때까지 홀더에 쪽 밀어 넣습니다.

기능 설명

배터리 장착 및 제거

주의: 배터리를 장착하거나 제거할 때 배터리 홀더와 배터리를 단단히 잡아 주십시오. 배터리 홀더와 배터리를 단단히 잡지 않으면 손에서 미끄러져 배터리 홀더와 배터리에 손상이 생기고 대인 상해 또한 일어날 수 있습니다.

주의: 배터리 카트리지를 제거하기 전에 항상 장치를 끕니다.

- ▶ **그림 2:** 1. 적색 표시기 2. 버튼 3. 배터리 카트리지 4. 배터리 홀더

배터리를 장착하려면 구멍 끝에 배터리의 끝부분을 맞추고 그대로 밀어 넣습니다. 배터리가 딸깍 소리가 나서 제자리에 들어가 잠길 때까지 쪽 밀어 넣습니다. 버튼의 위쪽에 적색 표시기가 보이면 완전히 잠긴 것이 아닙니다.

배터리를 분리하려면 배터리 전면에 있는 버튼을 누르면 서 배터리 홀더에서 슬라이드합니다.

주의: 적색 표시기가 보이지 않을 때까지 배터리를 완전히 장착합니다. 그렇지 않으면 배터리가 배터리 홀더에서 분리되어 작업자나 주변 사람에게 상해를 입힐 수 있습니다.

주의: 배터리를 힘으로 장착하지 마십시오. 배터리가 쉽게 들어가지 않으면 정확하게 삽입한 것이 아닙니다.

배터리 홀더 부착

배터리 홀더를 허리 벨트에 달 수 있습니다. 배터리 홀더가 잘못하여 떨어지는 것을 방지하기 위해서 끈 구멍을 사용하여 끈을 부착하고 고정합니다.

- ▶ **그림 3:** 1. 끈 구멍

배터리 홀더는 추락 방지 기능이 있습니다. 벨트에서 배터리 홀더를 제거할 때는 잠금 해제 버튼을 누르면서 배터리 홀더를 위로 당깁니다.

- ▶ **그림 4:** 1. 잠금 해제 버튼

USB 장치 연결

주의: USB 전원 공급 포트와 호환하는 장치만 연결하십시오. 그렇지 않으면 배터리 홀더 고장의 원인이 될 수 있습니다.

유의사항: USB 장치를 배터리 홀더(배터리 포함)에 연결하기 전에 USB 장치의 데이터를 항상 백업해 둡니다. 그렇지 않으면 데이터 손실의 원인이 될 수 있습니다.

유의사항: 배터리 홀더는 일부 USB 장치에 전원을 공급하지 못할 수 있습니다.

유의사항: 사용하지 않을 때나 충전 후에는 USB 케이블을 분리하고 커버를 닫으십시오.

배터리 홀더(배터리 카트리지 포함)는 USB 장치에 외부 전원으로서 작동할 수 있습니다.

커버를 열고 USB 케이블(별매품)을 배터리 홀더의 USB 포트에 연결합니다. 그리고 케이블의 나머지 한쪽 끝을 장치에 연결합니다. 충전을 시작하려면 파워 레벨 표시기가 켜질 때까지 전원 버튼을 길게 눌러 주십시오. 충전을 중지하려면 파워 레벨 표시기가 꺼질 때까지 전원 버튼을 길게 눌러 주십시오.

- ▶ **그림 5:** 1. 커버 2. USB 포트

참고: 실제 출력 전류는 연결할 USB 장치에 따라 다릅니다.

참고: 전원 버튼이 켜져 있는 동안 배터리 전력이 소모됩니다. 사용하지 않을 때는 항상 스위치를 끕니다.

참고: 여러 개의 USB 장치를 잇달아 충전할 때는 이전 장치의 충전이 완료된 후 약 10초간 기다린 후 다음 장치의 충전을 시작해 주십시오.

유지 보수

유의사항: 휘발유, 벤진, 시너, 알코올 같은 것들은 사용하지 마십시오. 변색 또는 변형되거나 금이 갈 수 있습니다.

유의사항: 배터리 홀더는 물로 씻지 마십시오.

- 깨끗하고 마른 천이나 비눗물에 담근 후 물기를 짰던 천으로 하우징의 이물, 먼지, 기름, 윤활제 등을 닦아내십시오.
- 극도로 뜨겁거나 차갑거나 습한 곳에 기기를 보관하지 마십시오.

제품의 안정과 신뢰성을 유지하기 위해, 수리 및 기타 유지 보수 또는 조정 시에는 항상 마끼다 순정 부품을 사용하는 마끼다 공인 서비스 센터나 공장 서비스 센터를 이용하여 주십시오.

SPESIFIKASI

Model	TD0000111 Dudukan baterai untuk kartrid baterai LXT	TD0000110 Dudukan baterai untuk kartrid baterai CXT
Tegangan terukur	D.C. 14,4 V D.C. 18 V	D.C. 10,8 V - 12 V maks
Kartrid baterai	BL1415N / BL1430B / BL1440 / BL1460B BL1815N / BL1820B / BL1830 / BL1830B / BL1840B / BL1850B / BL1860B	BL1016 / BL1021B / BL1041B
Port suplai daya USB	D.C. 5 V, 2,4 A, Tipe A	
Dimensi (P x L x T)	100 mm x 78 mm x 39 mm	88 mm x 61 mm x 33 mm
Berat bersih	0,14 kg	0,09 kg

- Beberapa kartrid baterai yang tercantum di atas mungkin tidak tersedia, tergantung wilayah tempat tinggal Anda.

⚠ PERINGATAN: Hanya gunakan kartrid baterai yang tercantum di atas. Penggunaan kartrid baterai lain dapat menimbulkan risiko cedera dan/atau kebakaran.

Simbol

Beberapa simbol berikut ini digunakan untuk produk. Pastikan untuk memahami arti masing-masing simbol sebelum menggunakan alat.



Baca petunjuk penggunaan.



Ni-MH
Li-ion

Hanya untuk negara-negara UE
Akibat adanya komponen berbahaya dalam peralatan, limbah peralatan listrik dan elektronik, aki dan baterai dapat memiliki dampak negatif pada lingkungan dan kesehatan manusia.
Jangan buang peralatan listrik dan elektronik atau baterai bersama limbah rumah tangga!
Sesuai dengan Petunjuk Eropa tentang limbah peralatan listrik dan elektronik dan tentang aki dan baterai serta limbahnya terhadap undang-undang nasional, limbah peralatan listrik, baterai dan aki harus disimpan secara terpisah dan dikirim ke tempat pengumpulan terpisah yang sah, serta penyesuaiannya dengan peraturan tentang perlindungan lingkungan.
Hal ini ditunjukkan dengan simbol tempat sampah bersilang yang ditempatkan pada peralatan.

PERINGATAN KESELAMATAN

⚠ PERINGATAN: Sebelum digunakan, pastikan untuk membaca petunjuk penggunaan produk Makita yang akan Anda gunakan dengan peralatan ini.

⚠ PERINGATAN: Gunakan peralatan ini hanya dengan produk yang ditentukan oleh Makita. Menggunakan peralatan dengan produk yang tidak sesuai dapat menyebabkan kebakaran, kelebihan panas, ledakan, atau kebocoran elektrolit.

Keamanan kelistrikan

1. Jangan menyentuh kabel dan baterai dengan tangan basah atau berminyak.
2. Jangan menggunakan kabel USB yang rusak.
3. Jangan menggunakan kabel dengan tidak semestinya. Jangan menggunakan kabel untuk membawa, menarik atau mencabut stopkontak. Jauhkan kabel dari panas, minyak, dan tepian tajam.
4. Jangan biarkan ada kabel yang tidak terhubung ketika sedang dialiri daya baterai. Anak kecil dapat memasukkan stopkontak yang dialiri listrik ke dalam mulut sehingga menyebabkan cedera.
5. Jangan memasukkan paku, kabel atau benda lain ke dalam port suplai daya USB. Tindakan ini dapat mengakibatkan arus pendek yang dapat berujung kepada timbulnya asap atau kebakaran.

6. Jangan menghubungkan sumber daya ke port USB. Port USB hanya dimaksudkan untuk mengisi daya perangkat bertegangan rendah. Selalu tutupi port USB saat tidak digunakan untuk mengisi daya perangkat bertegangan rendah. Jika hal ini diabaikan akan menyebabkan risiko kebakaran.
7. Isi ulang baterai hanya dengan pengisi daya yang ditentukan oleh pabrikan. Pengisi daya yang cocok untuk satu jenis paket baterai dapat menimbulkan risiko kebakaran jika digunakan untuk paket baterai yang berbeda.
8. Gunakan peralatan hanya dengan paket baterai yang telah ditentukan secara khusus. Penggunaan paket baterai lain dapat menimbulkan risiko cedera dan kebakaran.
9. Ketika paket baterai tidak digunakan, jauhkan dari benda logam lain, seperti penjepit kertas, uang logam, kunci, paku, sekrup atau benda logam kecil lainnya, yang dapat menghubungkan satu terminal ke terminal lain. Hubungan singkat terminal baterai dapat menyebabkan luka bakar atau kebakaran.
10. Pemakaian yang salah, dapat menyebabkan keluarnya cairan dari baterai; hindari kontak. Jika terjadi kontak secara tidak sengaja, bilas dengan air. Jika cairan mengenai mata, cari bantuan medis. Cairan yang keluar dari baterai bisa menyebabkan iritasi atau luka bakar.
11. Jangan menggunakan baterai atau peralatan yang akan digunakan dengan baterai jika baterai atau peralatan rusak atau diubah. Baterai atau peralatan yang rusak atau telah diubah dapat menyebabkan hal-hal yang tidak dapat diprediksi yang dapat menyebabkan kebakaran, ledakan atau risiko cedera.
12. Jangan memaparkan paket baterai di dekat api atau suhu yang sangat tinggi. Paparan api atau suhu di atas 130 °C dapat menyebabkan ledakan.
13. Ikuti semua petunjuk pengisian daya dan jangan mengisi daya paket baterai di luar rentang suhu yang ditentukan dalam panduan. Mengisi daya secara tidak tepat atau pada suhu di luar rentang yang ditentukan dapat merusak baterai dan meningkatkan risiko kebakaran.
14. Perbaikan hanya boleh dilakukan oleh teknisi yang berkualifikasi dan hanya menggunakan suku cadang pengganti yang serupa. Hal ini akan menjamin terjaminnya keamanan produk.
15. Jangan memodifikasi atau mencoba memperbaiki peralatan atau paket baterai selain seperti yang ditunjukkan dalam petunjuk penggunaan dan perawatan.
3. Jika waktu beroperasinya menjadi sangat singkat, segera hentikan penggunaan. Hal tersebut dapat menimbulkan risiko panas berlebih, kemungkinan mengalami luka bakar atau bahkan terjadi ledakan.
4. Jika elektrolit mengenai mata Anda, basuh dengan air bersih dan segera cari pertolongan medis. Hal tersebut dapat mengakibatkan hilangnya kemampuan penglihatan Anda.
5. Jangan menghubungkan terminal kartrid baterai:
 - (1) Jangan menyentuh terminal dengan bahan penghantar listrik apa pun.
 - (2) Hindari menyimpan kartrid baterai pada wadah yang berisi benda logam lain seperti paku, uang logam, dsb.
 - (3) Jangan membiarkan baterai terkena air atau kehujanan.

Hubungan singkat baterai dapat menyebabkan aliran arus listrik yang besar, panas berlebih, kemungkinan mengalami luka bakar dan bahkan kerusakan pada baterai.
6. Jangan menyimpan dan menggunakan mesin dan kartrid baterai pada lokasi dengan suhu yang bisa mencapai atau melebihi 50 °C (122 °F).
7. Jangan membuang kartrid baterai di tempat pembakaran sampah walaupun benar-benar rusak atau tidak bisa digunakan sama sekali. Kartrid baterai bisa meledak jika terbakar.
8. Jangan memaku, memotong, menghancurkan, melempar, menjatuhkan kartrid baterai, atau memukul benda keras ke kartrid baterai. Tindakan tersebut dapat menimbulkan api, panas berlebih, atau ledakan.
9. Jangan menggunakan baterai yang rusak.
10. Baterai litium-ion yang disertakan sesuai dengan persyaratan Perundangan Makanan Berbahaya.

Harus ada pengawasan untuk pengangkutan komersial misalnya oleh pihak ketiga, ekspeditor, persyaratan khusus terhadap pengemasan dan pelabelan.

Diperlukan adanya konsultasi dengan ahli mengenai material berbahaya untuk persiapan barang yang akan dikirimkan. Perhatikan pula peraturan nasional yang lebih terperinci yang mungkin ada.

Beri perekat atau tutupi bagian yang terbuka dan kemasan baterai dengan cara yang tidak akan menimbulkan pergeseran dalam pengemasan.
11. Ketika membuang kartrid baterai, lepaskan dari mesin dan buang ke tempat yang aman. Patuhi peraturan setempat yang berkaitan dengan pembuangan baterai.
12. Gunakan baterai hanya dengan produk yang ditentukan oleh Makita. Memasang baterai pada produk yang tidak sesuai dapat menyebabkan kebakaran, kelebihan panas, ledakan, atau kebocoran elektrolit.
13. Jika mesin tidak digunakan dalam jangka waktu yang lama, baterai harus dilepas dari mesin.

Petunjuk keselamatan penting untuk kartrid baterai

1. Sebelum menggunakan kartrid baterai, bacalah semua petunjuk dan penandaan pada (1) pengisi daya baterai, (2) baterai, dan (3) produk yang menggunakan baterai.
2. Jangan membongkar atau memodifikasi kartrid baterai. Tindakan tersebut dapat menimbulkan api, panas berlebih, atau ledakan.

14. Selama dan setelah digunakan, kartrid baterai mungkin menyimpan panas yang dapat menyebabkan luka bakar atau luka bakar suhu rendah. Perhatikan cara memegang kartrid baterai yang masih panas.
15. Jangan langsung menyentuh terminal mesin setelah digunakan karena suhunya mungkin cukup panas untuk menyebabkan luka bakar.
16. Jangan biarkan serpihan, debu, atau tanah menempel di terminal, lubang, dan alur kartrid baterai. Hal tersebut dapat mengakibatkan kinerja buruk atau kerusakan mesin maupun kartrid baterai.
17. Kecuali jika mesin mendukung penggunaan di dekat saluran listrik bertegangan tinggi, jangan gunakan kartrid baterai di dekat saluran listrik bertegangan tinggi. Hal tersebut dapat mengakibatkan kegagalan fungsi atau kerusakan mesin maupun kartrid baterai.
18. Jauhkan baterai dari jangkauan anak-anak.

SIMPAN PETUNJUK INI.

⚠PERHATIAN: Gunakan baterai asli Makita. Penggunaan baterai Makita yang tidak asli, atau baterai yang sudah diubah, akan mengakibatkan baterai mudah terbakar, cedera dan kerusakan. Akan menghilangkan garansi Makita pada pengisi daya dan alat Makita.

Tip untuk menjaga agar umur pemakaian baterai maksimum

1. Isi ulang kartrid baterai sebelum habis sama sekali. Selalu hentikan penggunaan mesin dan ganti kartrid baterai jika Anda melihat bahwa mesin kurang tenaga.
2. Jangan pernah mengisi ulang kartrid baterai yang sudah diisi penuh. Pengisian ulang yang berlebih memperpendek umur pemakaian baterai.
3. Isi ulang kartrid baterai pada suhu ruangan 10 °C - 40 °C. Biarkan kartrid baterai yang panas menjadi dingin terlebih dahulu sebelum diisi ulang.
4. Saat kartrid baterai tidak digunakan, lepaskan dari mesin atau pengisi daya.
5. Isi ulang daya kartrid baterai jika Anda tidak menggunakannya untuk jangka waktu yang lama (lebih dari enam bulan).

DESKRIPSI BAGIAN-BAGIAN MESIN

Dudukan dapat digunakan untuk jaket/rompi kipas dan jaket/rompi/selimit berpemanas milik Makita berikut ini.
▶ Gbr.1

Kelompok	Model
A	Jaket/rompi kipas: DFV210, DFJ206, DFJ207, DFJ210, DFJ211, DFJ212, DFJ213, DFJ214, DFJ216, DFJ304, DFJ305, DFJ310, DFJ311, DFJ405, DFJ407, DFJ410, DFJ411, DFJ416 Jaket/rompi/selimit berpemanas: CV102D, DCV202, CJ105D, CJ106D, DCJ205, DCJ206, CB100D, DCB200
B	Jaket/rompi kipas: DFJ212A, DFJ213A, DFJ214A, DFJ216A, DFJ312A, DFJ416A, DFV210A, DFV214A

1. Indikator level daya

Saat menggunakan jaket/rompi kipas, level daya ditampilkan.

CATATAN: Jika Anda menggunakan jaket/rompi kipas dalam kelompok A yang dicantumkan di atas, indikator level daya 4 tidak akan menyala karena unit kipasnya menerapkan kontrol 3-langkah.

CATATAN: Jika Anda menggunakan jaket/rompi/selimit berpemanas, hanya indikator level daya 4 yang akan menyala.

2. Tombol daya

Untuk menyalakan, masukkan kartrid baterai dan kemudian tekan dan tahan tombol daya hingga indikator level daya menyala.

Untuk mengubah level daya jaket/rompi kipas, tekan tombol daya sebentar saat daya dinyalakan.

Untuk mematikan, tekan dan tahan tombol daya hingga indikator level daya mati.

CATATAN: Untuk mengubah kehangatan jaket/rompi/selimit berpemanas, tekan tombol pada jaket/rompi/selimit berpemanas saat dinyalakan.

3. Soket daya

Hubungkan kabel dari jaket/rompi/selimit atau kabel adaptor.

4. Kabel adaptor untuk jaket/rompi kipas (aksesori pilihan)

Gunakan kabel adaptor saat menggunakan produk dalam kelompok A yang dicantumkan di atas.

5. Kabel adaptor untuk jaket/rompi/selimit berpemanas (aksesori pilihan)

Gunakan kabel adaptor saat menggunakan produk dalam kelompok A yang dicantumkan di atas.

6. Kabel daya jaket/rompi/selimit

Untuk produk dalam kelompok A yang dicantumkan di atas, hubungkan kabel adaptor yang sesuai untuk jaket/rompi kipas atau jaket/rompi/selimit berpemanas.

Untuk produk dalam kelompok B yang dicantumkan di atas, hubungkan ke soket daya dudukan baterai.

CATATAN: Bentuk dan lokasi soket bervariasi bergantung pada jaket/rompi/selimit Anda.

7. Kartrid baterai (aksesori pilihan)

Masukkan kartrid baterai ke dudukan seluruhnya hingga terkunci pada tempatnya dan terdengar bunyi klik kecil.

DESKRIPSI FUNGSI

Memasang atau melepas kartrid baterai

⚠PERHATIAN: Pegang dudukan baterai dan kartrid baterai kuat-kuat saat memasang atau melepas kartrid baterai. Kelalaian dalam memegang dudukan baterai dan kartrid baterai dengan erat bisa menyebabkan keduanya tergelincir dari tangan Anda dan mengakibatkan kerusakan pada dudukan baterai dan kartrid baterai dan cedera diri.

⚠PERHATIAN: Selalu matikan perangkat sebelum melepas kartrid baterai.

- **Gbr.2:** 1. Indikator berwarna merah 2. Tombol 3. Kartrid baterai 4. Dudukan baterai

Untuk memasang kartrid baterai, sejajarkan lidah kartrid baterai dengan alur pada rumah dan masukkan ke dalam tempatnya. Masukkan kartrid baterai seluruhnya sampai terkunci pada tempatnya dan terdengar bunyi klik kecil. Jika Anda bisa melihat indikator berwarna merah pada sisi atas tombol, berarti tidak terkunci sepenuhnya.

Untuk melepas kartrid baterai, geser dari dudukan baterai sambil menekan tombol pada bagian depan kartrid.

⚠PERHATIAN: Selalu pasang kartrid baterai sepenuhnya sampai indikator berwarna merah tidak terlihat. Karena bila tidak, kartrid baterai bisa terlepas dari dudukan baterai secara tidak sengaja, menyebabkan luka pada Anda atau orang di sekitar Anda.

⚠PERHATIAN: Jangan memasang kartrid baterai secara paksa. Jika kartrid baterai tidak bergeser dengan mudah, berarti tidak dimasukkan dengan benar.

Memasang dudukan baterai

Anda dapat menggantungkan dudukan baterai pada ikat pinggang Anda.

Untuk mencegah dudukan baterai agar tidak terjatuh secara tidak sengaja, pasang strap menggunakan lubang strap dan kencangkan.

- **Gbr.3:** 1. Lubang strap

Dudukan baterai memiliki fungsi anti terjatuh. Saat melepas dudukan baterai dari ikat pinggang, tarik dudukan baterai sambil menekan tombol buka kunci.

- **Gbr.4:** 1. Tombol buka kunci

Menghubungkan perangkat USB

⚠PERHATIAN: Hanya hubungkan perangkat yang kompatibel dengan port suplai daya USB. Jika tidak dilakukan dapat menyebabkan kerusakan fungsi pada dudukan baterai.

PEMBERITAHUAN: Sebelum menghubungkan perangkat USB ke dudukan baterai (dengan baterai), selalu cadangkan data pada perangkat USB. Jika tidak dilakukan dapat menyebabkan kehilangan data Anda.

PEMBERITAHUAN: Dudukan baterai dapat mungkin tidak memberikan suplai daya untuk beberapa perangkat USB.

PEMBERITAHUAN: Saat tidak digunakan setelah pengisian daya, lepaskan kabel USB dan tutup penutupnya.

Dudukan baterai (dengan kartrid baterai) dapat berfungsi sebagai suplai daya eksternal untuk perangkat USB.

Buka penutup dan hubungkan kabel USB (tidak termasuk) ke port USB pada dudukan baterai. Kemudian hubungkan ujung lain kabel ke perangkat. Untuk memulai pengisian daya, tekan dan tahan tombol daya hingga indikator level daya menyala. Untuk menghentikan pengisian daya, tekan dan tahan tombol daya hingga indikator level daya mati.

- **Gbr.5:** 1. Tutup 2. Port USB

CATATAN: Arus keluaran sebenarnya bervariasi bergantung pada perangkat USB yang akan dihubungkan.

CATATAN: Daya baterai terkonsumsi saat tombol daya dinyalakan. Selalu matikan sakelar saat tidak digunakan.

CATATAN: Saat mengisi daya beberapa perangkat USB secara berurutan, tunggu sekitar 10 detik setelah pengisian daya perangkat sebelumnya selesai sebelum memulai mengisi daya perangkat berikutnya.

PERAWATAN

PEMBERITAHUAN: Jangan sekali-kali menggunakan benzena, tiner, alkohol, atau bahan sejenisnya. Penggunaan bahan tersebut dapat menyebabkan perubahan warna, perubahan bentuk, atau timbulnya retakan.

PEMBERITAHUAN: Jangan cuci dudukan baterai dengan air.

- Seka kotoran, debu, minyak, gemuk, dll. pada selubung dengan kain kering bersih atau yang dicelupkan ke dalam air sabun dan peras dengan kencang.
- Simpan peralatan di tempat yang tidak terlalu panas, dingin atau lembap.

Untuk menjaga KEAMANAN dan KEANDALAN mesin, perbaikan, perawatan atau penyetulan lainnya harus dilakukan oleh Pusat Layanan Resmi atau Pabrik Makita; selalu gunakan suku cadang pengganti buatan Makita.

THÔNG SỐ KỸ THUẬT

Kiểu	TD00000111 Giá đỡ pin dành cho hộp pin LXT	TD00000110 Giá đỡ pin dành cho hộp pin CXT
Điện áp định mức	D.C. 14,4 V D.C. 18 V	D.C. 10,8 V - tối đa 12 V
Hộp pin	BL1415N / BL1430B / BL1440 / BL1460B BL1815N / BL1820B / BL1830 / BL1830B / BL1840B / BL1850B / BL1860B	BL1016 / BL1021B / BL1041B
Cổng cấp điện USB	D.C. 5 V, 2,4 A, Loại A	
Kích thước (D x R x C)	100 mm x 78 mm x 39 mm	88 mm x 61 mm x 33 mm
Khối lượng tịnh	0,14 kg	0,09 kg

- Một số hộp pin được nêu trong danh sách ở trên có thể không khả dụng tùy thuộc vào khu vực cư trú của bạn.

⚠ CẢNH BÁO: Chỉ sử dụng hộp pin được nêu trong danh sách ở trên. Việc sử dụng bất cứ hộp pin nào khác có thể gây ra thương tích và/hoặc hỏa hoạn.

Ký hiệu

Một vài biểu tượng sau đây được sử dụng cho sản phẩm. Đảm bảo đã hiểu rõ ý nghĩa của các ký hiệu này trước khi sử dụng.



Đọc tài liệu hướng dẫn.



Chỉ dành cho các quốc gia EU
Do có các thành phần nguy hiểm bên trong thiết bị điện và điện tử, ắc quy và pin thải bỏ nên có thể có tác động không tốt đến môi trường và sức khỏe con người.
Không vứt bỏ các thiết bị điện và điện tử hoặc pin với rác thải sinh hoạt!
Theo Chỉ thị của Châu Âu về thiết bị điện và điện tử thải bỏ và về pin và ắc quy và pin và ắc quy thải bỏ, cũng như sự thích ứng của chúng với luật pháp quốc gia, các thiết bị điện, pin và ắc quy thải phải được cất giữ riêng biệt và chuyển đến một điểm thu gom rác thải đô thị riêng, hoạt động theo các quy định về bảo vệ môi trường. Điều này được biểu thị bằng biểu tượng thùng rác có bánh xe gạch chéo được đặt trên thiết bị.

CẢNH BÁO AN TOÀN

⚠ CẢNH BÁO: Trước khi sử dụng, đảm bảo đã đọc tài liệu hướng dẫn về sản phẩm Makita có thể được sử dụng với thiết bị này.

⚠ CẢNH BÁO: Chỉ sử dụng thiết bị này cho các sản phẩm Makita chỉ định. Sử dụng thiết bị này với sản phẩm không thích hợp có thể gây ra hỏa hoạn, quá nhiệt, nổ, hoặc rò rỉ chất điện phân.

An toàn về điện

- Không được thao tác với dây điện và pin bằng tay ướt hay dính dầu mỡ.
- Không sử dụng cáp USB đã hư hỏng.
- Không sử dụng dây điện sai mục đích. Không được sử dụng dây điện để xách, kéo hoặc rút phích cắm. Giữ dây điện cách xa nguồn nhiệt, dầu mỡ và các cạnh mép sắc nhọn.
- Không để bất kỳ dây điện nào bị ngắt kết nối trong khi đang cấp điện năng pin. Trẻ nhỏ có thể đưa phích cắm có điện vào miệng và gây chấn thương.
- Không được cho móng tay, dây hoặc các vật thể khác vào cổng cấp điện USB. Làm như vậy có thể gây chập điện, có thể phát sinh ra khói hoặc cháy.
- Không được cắm nguồn điện vào cổng USB. Cổng USB chỉ dành để sạc các thiết bị điện áp thấp hơn. Luôn luôn đóng nắp cổng USB khi không sạc thiết bị điện áp thấp hơn. Nếu không sẽ có nguy cơ gây cháy.
- Chỉ sạc pin lại với bộ sạc do nhà sản xuất quy định. Bộ sạc phù hợp với một loại bộ pin này có thể gây ra nguy cơ hỏa hoạn khi được dùng cho một bộ pin khác.
- Chỉ sử dụng thiết bị với các bộ pin được thiết kế chuyên biệt. Việc sử dụng bất cứ bộ pin nào khác có thể gây ra nguy cơ thương tích và hỏa hoạn.
- Khi không sử dụng bộ pin, hãy giữ tránh xa các đồ vật khác bằng kim loại, chẳng hạn như kẹp giấy, tiền xu, chìa khóa, đinh, ốc vít hoặc các vật nhỏ bằng kim loại mà có thể làm nối tất các đầu cực pin. Các đầu cực pin bị đoản mạch có thể gây cháy hoặc hỏa hoạn.
- Trong điều kiện sử dụng quá mức, pin có thể bị chảy nước; hãy tránh tiếp xúc. Nếu vô tình tiếp xúc với pin bị chảy nước, hãy rửa sạch bằng nước. Nếu dung dịch từ pin tiếp xúc với mắt, cần đi khám bác sĩ thêm. Dung dịch chảy ra từ pin có thể gây rát da hoặc bỏng.

11. **Không sử dụng pin hoặc thiết bị cần sử dụng với pin nếu chúng bị hư hỏng hoặc bị sửa đổi.** Pin hoặc thiết bị bị hư hỏng hoặc bị sửa đổi có thể hành động theo cách không thể đoán trước dẫn đến cháy, nổ hoặc nguy cơ chấn thương.
12. **Không để bộ pin tiếp xúc với lửa hoặc nhiệt độ quá cao.** Tiếp xúc với lửa hoặc nhiệt độ trên 130 °C có thể gây ra cháy nổ.
13. **Làm theo tất cả hướng dẫn sạc pin và không được sạc bộ pin vượt giới hạn nhiệt độ quy định trong hướng dẫn.** Sạc pin không đúng hoặc ở nhiệt độ vượt giới hạn nhiệt độ có thể gây hư hỏng cho pin và làm tăng nguy cơ cháy.
14. **Hãy để nhân viên sửa chữa đủ trình độ thực hiện việc bảo trì và chỉ sử dụng các bộ phận thay thế đồng nhất.** Việc này sẽ đảm bảo duy trì được độ an toàn của sản phẩm.
15. **Không sửa đổi hoặc cố sửa chữa thiết bị hay bộ pin ngoại trừ trường hợp được thể hiện trong hướng dẫn sử dụng và bảo quản.**
10. **Pin nén lithium-ion là đối tượng có yêu cầu bắt buộc theo Luật Hàng hoá Nguy hiểm.** Đối với vận tải thương mại, ví dụ như vận tải do bên thứ ba, đại lý giao nhận, thì yêu cầu đặc biệt về đóng gói và nhãn ghi phải được giám sát. Để chuẩn bị cho mặt hàng cần vận chuyển, cần phải tham khảo ý kiến chuyên gia về vật liệu nguy hiểm. Nếu được, vui lòng tuân thủ các quy định quốc gia chi tiết hơn. Buộc phải niêm phong các tiếp điểm mở và đóng gói pin theo cách đó để nó không thể di chuyển trong bao bì.

11. **Khi vứt bỏ hộp pin, hãy tháo chúng khỏi dụng cụ và thải bỏ ở nơi an toàn. Phải tuân thủ theo các quy định của địa phương liên quan đến việc thải bỏ pin.**
12. **Chỉ sử dụng pin cho các sản phẩm Makita chỉ định.** Lắp pin vào sản phẩm không thích hợp có thể gây ra hỏa hoạn, quá nhiệt, nổ, hoặc rò chất điện phân.
13. **Nếu dụng cụ không được sử dụng trong một thời gian dài, cần phải tháo pin ra khỏi dụng cụ.**
14. **Trong và sau khi sử dụng, hộp pin có thể bị nóng, có thể gây bỏng hoặc bỏng ở nhiệt độ thấp. Chú ý xử lý hộp pin nóng.**
15. **Không chạm vào điện cực của dụng cụ ngay sau khi sử dụng vì điện cực đủ nóng để gây bỏng.**
16. **Không để vụn bào, bụi hoặc đất bám vào các điện cực, lỗ và rãnh của hộp pin.** Việc này có thể dẫn đến hiệu suất kém hoặc hỏng hóc dụng cụ hay hộp pin.
17. **Trừ khi dụng cụ hỗ trợ sử dụng gần đường dây điện cao thế, không sử dụng hộp pin gần đường dây điện cao thế.** Việc này có thể dẫn đến trực trặc hoặc hỏng hóc dụng cụ hay hộp pin.
18. **Giữ pin tránh xa trẻ em.**

Hướng dẫn quan trọng về an toàn dành cho hộp pin

1. Trước khi sử dụng hộp pin, hãy đọc kỹ tất cả các hướng dẫn và dấu hiệu cảnh báo trên (1) bộ sạc pin, (2) pin và (3) sản phẩm sử dụng pin.
2. **Không tháo rời hoặc làm thay đổi hộp pin.** Việc này có thể dẫn đến hỏa hoạn, quá nhiệt hoặc nổ.
3. **Nếu thời gian vận hành ngắn hơn quá mức, hãy ngừng vận hành ngay lập tức.** Điều này có thể dẫn đến rủi ro quá nhiệt, có thể gây bỏng và thậm chí là nổ.
4. **Nếu chất điện phân rơi vào mắt, hãy rửa sạch bằng nước sạch và đến cơ sở y tế ngay lập tức.** Chất này có thể khiến bạn giảm thị lực.
5. **Không để hộp pin ở tình trạng đoản mạch:**
 - (1) Không chạm vào cực pin bằng vật liệu dẫn điện.
 - (2) Tránh cất giữ hộp pin trong hộp có các vật kim loại khác như đinh, tiền xu, v.v...
 - (3) Không được để hộp pin tiếp xúc với nước hoặc mưa.**Đoản mạch pin có thể gây ra dòng điện lớn, quá nhiệt, có thể gây bỏng và thậm chí là hỏng hóc.**
6. **Không cất giữ cũng như sử dụng dụng cụ và hộp pin ở nơi nhiệt độ có thể lên tới hoặc vượt quá 50 °C (122 °F).**
7. **Không đốt hộp pin ngay cả khi hộp pin đã bị hư hại nặng hoặc hư hỏng hoàn toàn.** Hộp pin có thể nổ khi tiếp xúc với lửa.
8. **Không đóng đinh, cắt, nghiền nát, ném, làm rơi hộp pin hoặc va vật cứng vào hộp pin.** Làm như thế có thể dẫn đến hỏa hoạn, quá nhiệt hoặc nổ.
9. **Không sử dụng pin đã hỏng.**

LƯU GIỮ CÁC HƯỚNG DẪN NÀY.

⚠ THẬN TRỌNG: Chỉ sử dụng pin Makita chính hãng. Việc sử dụng pin không chính hãng Makita, hoặc pin đã được sửa đổi, có thể dẫn đến nổ pin gây ra cháy, thương tích và thiệt hại cá nhân. Nó cũng sẽ làm mất hiệu lực bảo hành của Makita dành cho dụng cụ của Makita và bộ sạc.

Mẹo duy trì tuổi thọ tối đa cho pin

1. **Sạc hộp pin trước khi pin bị xả điện hoàn toàn.** Luôn dừng việc vận hành dụng cụ và sạc pin khi bạn nhận thấy công suất dụng cụ bị giảm.
2. **Không được phép sạc lại một hộp pin đã được sạc đầy.** Sạc quá mức sẽ làm giảm tuổi thọ của pin.
3. **Sạc pin ở nhiệt độ phòng 10°C - 40°C.** Để cho hộp pin nóng nguội lại dần trước khi sạc pin.
4. **Khi không sử dụng hộp pin, hãy tháo hộp pin ra khỏi dụng cụ hoặc bộ sạc.**
5. **Sạc pin sáu tháng một lần nếu bạn không sử dụng dụng cụ trong một thời gian dài (hơn sáu tháng).**

MÔ TẢ CÁC BỘ PHẬN

Có thể sử dụng giá đỡ này cho áo khóa/áo gi lê gắn quạt và áo khóa/áo gi lê/chân làm ấm của Makita sau đây.

► Hình1

Nhóm	Kiểu
A	Áo khóa/áo gi lê gắn quạt: DFV210, DFJ206, DFJ207, DFJ210, DFJ211, DFJ212, DFJ213, DFJ214, DFJ216, DFJ304, DFJ305, DFJ310, DFJ311, DFJ405, DFJ407, DFJ410, DFJ411, DFJ416 Áo khóa/áo gi lê/chân làm ấm: CV102D, DCV202, CJ105D, CJ106D, DCJ205, DCJ206, CB100D, DCB200
B	Áo khóa/áo gi lê gắn quạt: DFJ212A, DFJ213A, DFJ214A, DFJ216A, DFJ312A, DFJ416A, DFV210A, DFV214A

1. Đèn chỉ báo mức công suất

Khi sử dụng áo khóa/áo gi lê gắn quạt, mức công suất sẽ được hiển thị.

LƯU Ý: Nếu bạn sử dụng áo khóa/áo gi lê gắn quạt trong nhóm A được liệt kê ở trên, đèn chỉ báo mức công suất 4 sẽ không sáng lên vì các bộ phận quạt của áo sử dụng điều khiển 3 bước.

LƯU Ý: Nếu bạn sử dụng áo khóa/áo gi lê/chân làm ấm, chỉ có đèn chỉ báo mức công suất 4 sẽ sáng lên.

2. Nút nguồn

Để bật, lắp hộp pin vào rồi nhấn và giữ nút nguồn cho đến khi đèn chỉ báo mức công suất sáng lên.

Để thay đổi mức công suất của áo khóa/áo gi lê gắn quạt, nhấn nhanh nút nguồn khi bật nguồn.

Để tắt, hãy nhấn và giữ nút nguồn cho đến khi đèn chỉ báo mức công suất tắt.

LƯU Ý: Để thay đổi độ ấm của áo khóa/áo gi lê/chân làm ấm, nhấn nút trên áo khóa/áo gi lê/chân làm ấm khi được cấp nguồn.

3. Ổ cắm điện

Kết nối cáp từ áo khóa/áo gi lê/chân hoặc cáp chuyển đổi.

4. Cáp chuyển đổi cho áo khóa/áo gi lê gắn quạt (phụ kiện tùy chọn)

Sử dụng cáp chuyển đổi khi sử dụng các sản phẩm thuộc nhóm A được liệt kê ở trên.

5. Cáp chuyển đổi cho áo khóa/áo gi lê/chân làm ấm (phụ kiện tùy chọn)

Sử dụng cáp chuyển đổi khi sử dụng các sản phẩm thuộc nhóm A được liệt kê ở trên.

6. Dây nguồn của áo khóa/áo gi lê/chân

Đối với các sản phẩm thuộc nhóm A được liệt kê ở trên, hãy kết nối cáp chuyển đổi phù hợp với áo khóa/áo gi lê gắn quạt hoặc áo khóa/áo gi lê/chân làm ấm.

Đối với các sản phẩm thuộc nhóm B được liệt kê ở trên, hãy kết nối với ổ cắm điện của giá đỡ pin.

LƯU Ý: Hình dạng và vị trí của ổ cắm sẽ khác nhau tùy thuộc vào áo khóa/áo gi lê/chân của bạn.

7. Hộp pin (phụ kiện tùy chọn)

Lắp hộp pin vào giá đỡ hết mức cho đến khi nó khóa đúng vào vị trí với một tiếng tách nhỏ.

MÔ TẢ CHỨC NĂNG

Lắp hoặc tháo hộp pin

▲THẬN TRỌNG: Giữ giá đỡ pin và hộp pin thật chắc khi lắp hoặc tháo hộp pin. Không giữ giá đỡ pin và hộp pin thật chắc có thể khiến chúng trượt khỏi tay và làm hư hỏng giá đỡ pin và hộp pin và/hoặc gây thương tích cá nhân.

▲THẬN TRỌNG: Luôn tắt thiết bị trước tháo hộp pin.

► **Hình2:** 1. Đèn chỉ báo màu đỏ 2. Nút 3. Hộp pin 4. Giá đỡ pin

Để lắp hộp pin, đặt thẳng hàng phần chốt nhô ra của hộp pin vào phần rãnh nằm trên vỏ và trượt hộp pin vào vị trí. Lắp hộp pin vào hết mức cho đến khi nó khóa đúng vào vị trí với một tiếng tách nhỏ. Nếu bạn vẫn còn nhìn thấy đèn chỉ báo màu đỏ ở mặt trên của nút, điều đó có nghĩa là chốt vẫn chưa được khóa hoàn toàn.

Để tháo hộp pin, vừa trượt pin ra khỏi giá đỡ pin vừa nhấn nút ở phía trước hộp pin.

▲THẬN TRỌNG: Luôn lắp hộp pin khớp hoàn toàn vào vị trí cho đến khi không thể nhìn thấy đèn chỉ báo màu đỏ. Nếu không hộp pin có thể vò tình rơi ra khỏi giá đỡ pin, gây ra thương tích cho bạn hoặc người xung quanh bạn.

▲THẬN TRỌNG: Không được dùng sức để lắp hộp pin. Nếu hộp pin không nhẹ nhàng trượt vào vị trí, có nghĩa là pin vẫn chưa được lắp đúng.

Gắn giá đỡ pin

Bạn có thể treo giá đỡ pin trên dây thắt lưng của bạn. Để ngăn giá đỡ pin vô ý bị rơi, hãy gắn dây đeo bằng lỗ xô dây đeo và thắt chặt nó.

► **Hình3:** 1. Lỗ xô dây đeo

Giá đỡ pin có chức năng chống rơi. Khi tháo giá đỡ pin khỏi thắt lưng, hãy vừa kéo giá đỡ pin lên vừa nhấn nút mở khóa.

► **Hình4:** 1. Nút mở khóa

Kết nối thiết bị USB

⚠ THẬN TRỌNG: Chỉ kết nối những thiết bị tương thích với cổng cấp điện USB. Không làm như vậy có thể làm hỏng giá đỡ pin.

CHÚ Ý: Trước khi kết nối thiết bị USB với giá đỡ pin (có pin), luôn luôn sao lưu dữ liệu trên thiết bị USB. Không làm như vậy có thể gây mất dữ liệu của bạn.

CHÚ Ý: Giá đỡ pin có thể không cấp điện năng cho một số thiết bị USB.

CHÚ Ý: Khi không sử dụng hoặc sau khi sạc, hãy tháo cáp USB và đóng nắp.

Giá đỡ pin (có hộp pin) có thể đóng vai trò làm nguồn cung cấp điện năng ngoài cho các thiết bị USB.

Mở nắp và cắm cáp USB (không đi kèm) vào cổng USB của giá đỡ pin. Sau đó nối đầu còn lại của dây cáp với thiết bị. Để bắt đầu sạc, nhấn và giữ nút nguồn cho đến khi đèn chỉ báo mức công suất sáng lên. Để ngừng sạc, nhấn và giữ nút nguồn cho đến khi đèn chỉ báo mức công suất tắt.

► **Hình5:** 1. Nắp che 2. Cổng USB

LƯU Ý: Dòng điện đầu ra thực tế sẽ khác nhau tùy thuộc vào thiết bị USB cần kết nối.

LƯU Ý: Năng lượng pin bị tiêu thụ trong khi nút nguồn bật. Hãy luôn tắt công tắc khi không sử dụng.

LƯU Ý: Khi sạc nhiều thiết bị USB liên tiếp, chờ khoảng 10 giây sau khi thiết bị trước hoàn tất sạc trước khi bắt đầu sạc thiết bị tiếp theo.

BẢO TRÌ

CHÚ Ý: Không bao giờ dùng xăng, ét xăng, dung môi, cồn hoặc hóa chất tương tự. Có thể xảy ra hiện tượng mất màu, biến dạng hoặc nứt vỡ.

CHÚ Ý: Không rửa giá đỡ pin với nước.

- Lau sạch vết bẩn, bụi, dầu, mỡ, v.v... trên vỏ bằng vải khô sạch hoặc vải nhúng vào nước xà phòng và vắt khô.
- Giữ thiết bị ở nơi không quá nóng, quá lạnh hoặc quá ẩm ướt.

Để đảm bảo ĐỘ AN TOÀN và ĐỘ TIN CẬY của sản phẩm, việc sửa chữa hoặc bất cứ thao tác bảo trì, điều chỉnh nào đều phải được thực hiện bởi các Trung tâm Dịch vụ Nhà máy hoặc Trung tâm được Makita Ủy quyền và luôn sử dụng các phụ tùng thiết bị thay thế của Makita.

ข้อมูลจำเพาะ

รุ่น	TD00000111 ช่องใส่แบตเตอรี่สำหรับตลับแบตเตอรี่ LXT	TD00000110 ช่องใส่แบตเตอรี่สำหรับตลับแบตเตอรี่ CXT
แรงดันไฟฟ้าที่กำหนด	D.C. 14.4 V D.C. 18 V	D.C. 10.8 V - 12 V สูงสุด
ตลับแบตเตอรี่	BL1415N / BL1430B / BL1440 / BL1460B BL1815N / BL1820B / BL1830 / BL1830B / BL1840B / BL1850B / BL1860B	BL1016 / BL1021B / BL1041B
พอร์ตจ่ายไฟ USB	D.C. 5 V, 2.4 A, ประเภท A	
ขนาด (ยาว x กว้าง x สูง)	100 mm x 78 mm x 39 mm	88 mm x 61 mm x 33 mm
น้ำหนักสุทธิ	0.14 kg	0.09 kg

- ตลับแบตเตอรี่บางรายการที่แสดงอยู่ด้านบนอาจไม่มีวางจำหน่ายขึ้นอยู่กับภูมิภาคที่คุณอาศัยอยู่

คำเตือน: ใช้ตลับแบตเตอรี่ที่ระบุไว้ข้างบนเท่านั้น การใช้ตลับแบตเตอรี่ประเภทอื่นอาจก่อให้เกิดความเสี่ยงที่จะได้รับบาดเจ็บและ/หรือเกิดไฟไหม้

สัญลักษณ์

สัญลักษณ์บางสัญลักษณ์ต่อไปนี้ใช้สำหรับผลิตภัณฑ์นี้ โปรดศึกษาความหมายของสัญลักษณ์ให้เข้าใจก่อนการใช้งาน



อ่านคู่มือการใช้งาน



สำหรับประเทศในสหภาพยุโรปเท่านั้น เนื่องจากในอุปกรณ์มีส่วนประกอบอันตราย ขยะจำพวกอุปกรณ์ไฟฟ้า และอิเล็กทรอนิกส์ แบตเตอรี่ และหม้อแบตเตอรี่จึงอาจส่งผลกระทบต่อสิ่งแวดล้อมและสุขภาพของมนุษย์ในเชิงลบ อย่างไรก็ตามใช้ไฟฟ้าและอิเล็กทรอนิกส์หรือแบตเตอรี่ร่วมกับวัสดุเหลือทิ้งในครัวเรือน!

เพื่อให้เป็นไปตามกฎระเบียบของยุโรปว่าด้วยขยะจำพวกอุปกรณ์ไฟฟ้าและอิเล็กทรอนิกส์ และหม้อสะสมไฟฟ้าและแบตเตอรี่ และขยะจำพวกหม้อสะสมไฟฟ้าและแบตเตอรี่ รวมถึงการบังคับใช้ตามกฎหมายภายในประเทศ ควรมีการจัดเก็บขยะจำพวกอุปกรณ์ไฟฟ้า แบตเตอรี่ และหม้อสะสมไฟฟ้าแยกต่างหากและส่งไปยังจุดรับขยะต่างหากในเขตเทศบาลซึ่งมีการดำเนินการตามระเบียบว่าด้วยการดูแลสิ่งแวดล้อม

โดยระบุด้วยสัญลักษณ์เส้นคาดขวางรูปถังขยะแบบมีล้อไว้บนอุปกรณ์

คำเตือนด้านความปลอดภัย

คำเตือน: ก่อนใช้งานโปรดอ่านคู่มือการใช้งานผลิตภัณฑ์ Makita ของคุณ เพื่อใช้กับอุปกรณ์นี้

คำเตือน: ใช้อุปกรณ์นี้กับผลิตภัณฑ์ที่ระบุโดย Makita เท่านั้น การใช้อุปกรณ์นี้กับผลิตภัณฑ์ที่ไม่รองรับอาจส่งผลให้เกิดไฟไหม้ ความร้อนสูงเกินไป การระเบิด หรือการรั่วไหลของอิเล็กโทรไลต์ได้

ความปลอดภัยด้านไฟฟ้า

1. อย่าจับสายไฟและแบตเตอรี่ด้วยมือที่เปียกหรือเอือน้ำมัน
2. อย่าใช้สาย USB ที่เสียหาย
3. อย่าใช้สายไฟอย่างไม่เหมาะสม อย่าใช้สายไฟที่ยืดกืด หรือถอดปลั๊ก เก็บสายไฟให้ห่างจากความร้อน น้ำมัน และขอบวัตถุที่แหลมคม
4. อย่าวางสายไฟที่ไม่ได้เชื่อมต่อทั้งไว้ในขณะที่ยังมีกระแสไฟจากแบตเตอรี่ เนื่องจากเด็กเล็กอาจนำปลั๊กที่มีกระแสไฟฟ้าไหลผ่านเข้าปากและทำให้ได้รับบาดเจ็บได้
5. อย่าสอดตะปู ลวด หรือสิ่งของอื่นๆ เข้าไปในพอร์ต USB จ่ายไฟ เนื่องจากอาจทำให้เกิดไฟฟ้าลัดวงจรซึ่งทำให้เกิดควันหรือไฟไหม้ได้
6. อย่าเชื่อมต่อแหล่งจ่ายไฟเข้ากับพอร์ต USB พอร์ต USB ออกแบบมาเพื่อใช้สำหรับชาร์จอุปกรณ์ที่มีแรงดันไฟฟ้าต่ำเท่านั้น ปิดพอร์ต USB ด้วยฝาปิดเสมอเมื่อไม่ได้ชาร์จอุปกรณ์แรงดันไฟฟ้าต่ำ มิฉะนั้น อาจเสี่ยงที่จะเกิดไฟไหม้ได้
7. ชาร์จไฟใหม่ด้วยเครื่องชาร์จที่ระบุโดยผู้ผลิตเท่านั้น เครื่องชาร์จที่เหมาะสมสำหรับชุดแบตเตอรี่ประเภทหนึ่ง อาจเสี่ยงที่จะเกิดไฟไหม้หากนำไปใช้กับชุดแบตเตอรี่อีกประเภทหนึ่ง
8. ใช้อุปกรณ์กับชุดแบตเตอรี่ที่กำหนดไว้โดยเฉพาะเท่านั้น การใช้ชุดแบตเตอรี่ประเภทอื่นอาจทำให้เสี่ยงที่จะได้รับบาดเจ็บและเกิดไฟไหม้
9. เมื่อไม่ใช้งานชุดแบตเตอรี่ ให้เก็บห่างจากวัตถุที่เป็นโลหะอื่นๆ เช่น คลิปหนีบกระดาษ เหรียญ กุญแจ กรรไกรตัดเล็บ สกรู หรือวัตถุที่เป็นโลหะขนาดเล็กอื่นๆ ที่สามารถเชื่อมต่อชั่วคราวหนึ่งกับอีกชั่วคราวหนึ่งได้ การลัดวงจรขั้วแบตเตอรี่อาจทำให้อ่อนจัดหรือเกิดไฟไหม้

10. ในกรณีที่ใช้งานไม่ถูกต้อง อาจมีของเหลวไหลออกจากแบตเตอรี่ ให้หลีกเลี่ยงการสัมผัส หากสัมผัสโดนของเหลวโดยไม่ตั้งใจ ให้ล้างออกด้วยน้ำ หากของเหลวกระเด็นเข้าตา ให้รีบไปพบแพทย์ ของเหลวที่ไหลออกจากแบตเตอรี่อาจทำให้ผิวหนังระคายเคืองหรือไหม้
11. อย่าใช้แบตเตอรี่หรืออุปกรณ์ที่ใช้กับแบตเตอรี่นี้ หากแบตเตอรี่หรืออุปกรณ์ดังกล่าวเสียหายหรือถูกดัดแปลง แบตเตอรี่หรืออุปกรณ์ที่เสียหายหรือมีการดัดแปลงอาจทำให้เกิดสิ่งที่ไม่ดีได้ เช่น ไฟไหม้ ระเบิด หรือเสี่ยงต่อการบาดเจ็บ
12. ห้ามให้ชุดแบตเตอรี่อยู่ใกล้กับไฟ หรือบริเวณที่มีอุณหภูมิสูงเกินไป หากชุดแบตเตอรี่โดนไฟหรืออุณหภูมิสูงเกิน 130 °C อาจทำให้เกิดการระเบิดได้
13. กรุณาปฏิบัติตามคำแนะนำสำหรับชาร์จไฟ และห้ามชาร์จชุดแบตเตอรี่ในบริเวณที่มีอุณหภูมิสูงเกินไปจากที่ระบุในคำแนะนำ การชาร์จไฟที่ไม่เหมาะสม หรืออุณหภูมิสูงเกินไปจากช่วงอุณหภูมิที่ระบุในคำแนะนำอาจทำให้แบตเตอรี่เสียหายและเป็นการเพิ่มความเสี่ยงในการเกิดไฟไหม้
14. ให้บริการซ่อมโดยผู้ซ่อมที่ผ่านการรับรอง โดยใช้ชิ้นส่วนทดแทนที่เหมือนกันเท่านั้น เพราะจะทำให้การใช้ผลิตภัณฑ์มีความปลอดภัย
15. ห้ามดัดแปลงหรือพยายามซ่อมเครื่องมือหรือชุดแบตเตอรี่ด้วยตนเอง ยกเว้นทำตามคำแนะนำในการใช้งานและการดูแลรักษาที่ระบุไว้ในคู่มือการใช้และการดูแลรักษา

คำแนะนำเพื่อความปลอดภัยที่สำคัญสำหรับดัลลิบแบตเตอรี่

1. ก่อนใช้งานดัลลิบแบตเตอรี่ ให้อ่านคำแนะนำและเครื่องหมายเตือนทั้งหมดบน (1) เครื่องชาร์จแบตเตอรี่ (2) แบตเตอรี่ และ (3) ตัวผลิตภัณฑ์ที่ใช้แบตเตอรี่
2. อย่าถอดแยกชิ้นส่วนหรือทำการดัดแปลงดัลลิบแบตเตอรี่ เนื่องจากอาจทำให้เกิดไฟไหม้ ความร้อนที่สูงเกินไป หรือระเบิดได้
3. หากระยะเวลาที่เครื่องทำงานสั้นเกินไป ให้หยุดใช้งานทันที เนื่องจากอาจมีความเสี่ยงที่จะร้อนจัด ไหม้หรือระเบิดได้
4. หากสารละลายอิเล็กโทรไลต์กระเด็นเข้าตา ให้ล้างออกด้วยน้ำเปล่าและรีบไปพบแพทย์ทันที เนื่องจากอาจทำให้ตาบอด

5. ห้ามลัดวงจรปลั๊กแบตเตอรี่:
 - (1) ห้ามแตะขั้วกับวัตถุที่เป็นสื่อไฟฟ้าใดๆ
 - (2) หลีกเลี่ยงการเก็บปลั๊กแบตเตอรี่ไว้ในภาชนะร่วมกับวัตถุที่เป็นโลหะ เช่น กรรไกรตัดเล็บ เหยี่ยูซลช
 - (3) อย่าให้ปลั๊กแบตเตอรี่ถูกน้ำหรือฝน แบตเตอรี่ลัดวงจรอาจทำให้เกิดการไหลของกระแสไฟฟ้า ร้อนจัดไหม้หรือเสียหายได้
6. ห้ามเก็บและใช้เครื่องมือและปลั๊กแบตเตอรี่ไว้ในสถานที่ที่มีอุณหภูมิสูงถึงหรือเกิน 50 °C (122 °F)
7. ห้ามเผาปลั๊กแบตเตอรี่ทิ้ง แม้ว่าแบตเตอรี่จะเสียหายจนใช้การไม่ได้หรือเสื่อมสภาพแล้ว ปลั๊กแบตเตอรี่อาจจะระเบิดในกองไฟ
8. อย่าดอกลูก ตัด บด ขั้วง หรือทำปลั๊กแบตเตอรี่หล่นพื้น หรือกระทบกับวัตถุของแข็ง การกระทำดังกล่าวอาจส่งผลให้เกิดไฟไหม้ ความร้อนที่สูงเกินไป หรือระเบิดได้
9. ห้ามใช้แบตเตอรี่ที่เสียหาย
10. แบตเตอรี่ลิเทียมไอออนที่มีมาให้ให้เป็นไปตามข้อกำหนดของ Dangerous Goods Legislation สำหรับการขนส่งเพื่อการพาณิชย์ เช่น โดยบุคคลที่สาม ตัวแทนขนส่งสินค้า จะต้องตรวจสอบข้อกำหนดพิเศษในด้านการบรรจุหีบห่อหรือการติดป้ายสินค้าในการเตรียมสินค้าที่จะขนส่ง ให้ปรึกษาผู้เชี่ยวชาญด้านวัตถุอันตราย โปรดตรวจสอบข้อกำหนดในประเทศที่อาจมีรายละเอียดอื่นๆ เพิ่มเติม ให้ติดเทปหรือปิดหน้าสัมผัสและห่อแบตเตอรี่ในลักษณะที่แบตเตอรี่จะไม่เคลื่อนที่ไปมาในหีบห่อ
11. เมื่อกำจัดปลั๊กแบตเตอรี่ ให้ถอดปลั๊กแบตเตอรี่ออกจากเครื่องมือและกำจัดในสถานที่ที่ปลอดภัย ปฏิบัติตามข้อบังคับในท้องถิ่นที่เกี่ยวข้องกับการกำจัดแบตเตอรี่
12. ใช้แบตเตอรี่กับผลิตภัณฑ์ที่ระบุโดย Makita เท่านั้น การติดตั้งแบตเตอรี่ในผลิตภัณฑ์ที่ไม่ใช่ตามที่ระบุอาจทำให้เกิดไฟไหม้ ความร้อนสูง ระเบิด หรืออิเล็กทรอนิกส์ไหม้ได้
13. หากไม่ใช่ใช้เครื่องมือเป็นระยะเวลานาน จะต้องถอดแบตเตอรี่ออกจากเครื่องมือ
14. ในระหว่างและหลังการใช้งาน ปลั๊กแบตเตอรี่อาจร้อนซึ่งอาจลวกผิวหรือทำให้ผิวไหม้ที่อุณหภูมิต่ำได้ โปรดระมัดระวังในการจัดการกับแบตเตอรี่ที่ร้อน
15. อย่าสัมผัสขั้วของเครื่องมือทันทีหลังจากการใช้งาน เนื่องจากอาจมีความร้อนพอที่จะทำให้ผิวไหม้ได้
16. อย่าปล่อยให้เศษวัสดุ ฝุ่นผง หรือดินเข้าไปติดอยู่ในขั้ว รู และร่องของปลั๊กแบตเตอรี่ เนื่องจากอาจทำให้เครื่องมือหรือปลั๊กแบตเตอรี่มีประสิทธิภาพลดลงหรือเสียหายได้
17. หากเครื่องมือไม่รองรับสายไฟแรงดันสูง อย่าใช้ปลั๊กแบตเตอรี่กับสายไฟแรงดันสูง เนื่องจากเครื่องมือหรือปลั๊กแบตเตอรี่อาจทำงานผิดปกติหรือเสียหายได้
18. เก็บแบตเตอรี่ให้ห่างจากเด็ก

ปฏิบัติตามคำแนะนำเหล่านี้

⚠️ ข้อควรระวัง: ใช้แบตเตอรี่ของแท้จาก Makita เท่านั้น การใช้แบตเตอรี่ Makita ที่ไม่แท้ หรือแบตเตอรี่ที่ถูกเปลี่ยน อาจทำให้แบตเตอรี่ระเบิด ก่อให้เกิดเพลิงลุกไหม้ การบาดเจ็บ และความปลอดภัยได้ และจะทำให้การรับประกันของ Makita สำหรับเครื่องมือและแท่นชาร์จของ Makita เป็นโมฆะด้วย

เคล็ดลับในการรักษาอายุการใช้งานของแบตเตอรี่ให้ยาวนานที่สุด

1. ชาร์จปลั๊กแบตเตอรี่ก่อนที่ไฟจะหมด หยุดการใช้งานแล้วชาร์จประจุไฟฟ้าใหม่ทุกครั้งเมื่อคุณรู้สึกว่าอุปกรณ์มีกำลังลดลง
2. อย่าชาร์จปลั๊กแบตเตอรี่ที่มีไฟเต็มแล้ว การชาร์จประจุไฟฟ้ามากเกินไปอาจจะทำให้อายุการใช้งานของปลั๊กแบตเตอรี่สั้นลง
3. ชาร์จประจุไฟฟ้าปลั๊กแบตเตอรี่ในห้องที่มีอุณหภูมิระหว่าง 10 °C - 40 °C ปล่อยให้ปลั๊กแบตเตอรี่เย็นลงก่อนที่จะชาร์จไฟ
4. เมื่อไม่ใช่ปลั๊กแบตเตอรี่ ให้ถอดออกจากเครื่องมือหรือเครื่องชาร์จ
5. ชาร์จไฟปลั๊กแบตเตอรี่หากคุณไม่ต้องการใช้เป็นเวลานาน (เกินกว่าหกเดือน)

คำอธิบายชิ้นส่วนต่างๆ

ช่องใส่แบตเตอรี่สามารถใช้ได้สำหรับแจ็คเก็ต/เสื้อกั๊กติดพัดลม และแจ็คเก็ต/เสื้อกั๊ก/ผ้าห่มให้ความร้อนของ Makita ดังต่อไปนี้

▶ หมายเลข 1

กลุ่ม	รุ่น
A	แจ็คเก็ต/เสื้อกั๊กติดพัดลม: DFV210, DFJ206, DFJ207, DFJ210, DFJ211, DFJ212, DFJ213, DFJ214, DFJ216, DFJ304, DFJ305, DFJ310, DFJ311, DFJ405, DFJ407, DFJ410, DFJ411, DFJ416 แจ็คเก็ต/เสื้อกั๊ก/ผ้าห่มให้ความร้อน: CV102D, DCV202, CJ105D, CJ106D, DCJ205, DCJ206, CB100D, DCB200
B	แจ็คเก็ต/เสื้อกั๊กติดพัดลม: DFJ212A, DFJ213A, DFJ214A, DFJ216A, DFJ312A, DFJ416A, DFV210A, DFV214A

1. โฟ่งชี้ระดับพลังงาน

เมื่อใช้แจ็คเก็ต/เสื้อกั๊กติดพัดลม ระดับพลังงานจะแสดงขึ้น

หมายเหตุ: หากคุณใช้แจ็คเก็ต/เสื้อกั๊กติดพัดลมในกลุ่ม A ตามรายการด้านบน โฟ่งชี้ระดับพลังงาน 4 จะไม่สว่างขึ้นเนื่องจากพัดลมใช้การควบคุมแบบ 3 ขั้นตอน

หมายเหตุ: หากคุณใช้แจ็คเก็ต/เสื้อกั๊ก/ผ้าห่มให้ความร้อนเฉพาะโฟ่งชี้ระดับพลังงาน 4 จะสว่างขึ้น

2. ปุ่มไฟหลัก

การเปิดเครื่อง ให้ใส่ดัลบ์แบตเตอรี่ จากนั้นกดปุ่มไฟหลักค้างไว้จนกระทั่งโฟ่งชี้ระดับพลังงานสว่างขึ้น การเปลี่ยนระดับพลังงานของแจ็คเก็ต/เสื้อกั๊กติดพัดลม ให้กดปุ่มไฟหลักสั้นๆ เมื่อเปิดเครื่องแล้ว การปิดเครื่อง ให้กดปุ่มไฟหลักค้างไว้จนกระทั่งโฟ่งชี้ระดับพลังงานดับ

หมายเหตุ: การเปลี่ยนความร้อนของแจ็คเก็ต/เสื้อกั๊ก/ผ้าห่มให้ความร้อน ให้กดปุ่มบนแจ็คเก็ต/เสื้อกั๊ก/ผ้าห่มให้ความร้อนเมื่อเปิดเครื่องแล้ว

3. เต้ารับไฟฟ้า

เชื่อมต่อสายจากแจ็คเก็ต/เสื้อกั๊ก/ผ้าห่มหรือสายอะแดปเตอร์

4. สายอะแดปเตอร์สำหรับแจ็คเก็ต/เสื้อกั๊กติดพัดลม (อุปกรณ์เสริม)

ใช้สายอะแดปเตอร์เมื่อใช้ผลิตภัณฑ์ในกลุ่ม A ตามรายการด้านบน

5. สายอะแดปเตอร์สำหรับแจ็คเก็ต/เสื้อกั๊ก/ผ้าห่มให้ความร้อน (อุปกรณ์เสริม)

ใช้สายอะแดปเตอร์เมื่อใช้ผลิตภัณฑ์ในกลุ่ม A ตามรายการด้านบน

6. สายไฟของแจ็คเก็ต/เสื้อกั๊ก/ผ้าห่ม

สำหรับผลิตภัณฑ์ในกลุ่ม A ตามรายการด้านบน ให้เชื่อมต่อสายอะแดปเตอร์ที่เหมาะสมสำหรับแจ็คเก็ต/เสื้อกั๊กติดพัดลม หรือแจ็คเก็ต/เสื้อกั๊ก/ผ้าห่มให้ความร้อน

สำหรับผลิตภัณฑ์ในกลุ่ม B ตามรายการด้านบน ให้เชื่อมต่อกับเต้ารับไฟฟ้าของช่องใส่แบตเตอรี่

หมายเหตุ: รูปร่างและตำแหน่งของเต้ารับจะแตกต่างกันไปขึ้นอยู่กับแจ็คเก็ต/เสื้อกั๊ก/ผ้าห่มของคุณ

7. ดัลบ์แบตเตอรี่ (อุปกรณ์เสริม)

ใส่ดัลบ์แบตเตอรี่เข้าไปในช่องใส่แบตเตอรี่จนสุดจนกระทั่งลิ้อคเข้าที่ซึ่งจะได้ยินเสียงคลิกเบาๆ

คำอธิบายการทำงาน

การใส่หรือการถอดดัลบ์แบตเตอรี่

▲ ข้อควรระวัง: ถึงช่องใส่แบตเตอรี่และดัลบ์แบตเตอรี่ให้แน่นในระหว่างการใส่หรือการถอดดัลบ์แบตเตอรี่ หากไม่ถึงช่องใส่แบตเตอรี่และดัลบ์แบตเตอรี่ให้แน่น อาจทำให้ช่องใส่แบตเตอรี่และดัลบ์แบตเตอรี่ลื่นหลุดมือ และทำให้ช่องใส่แบตเตอรี่และดัลบ์แบตเตอรี่เสียหายและ/หรือทำให้ได้รับบาดเจ็บได้

▲ ข้อควรระวัง: ปิดสวิตช์เครื่องก่อนถอดดัลบ์แบตเตอรี่ทุกครั้ง

▶ **หมายเลข 2:** 1. ไฟแสดงสถานะสีแดง 2. ปุ่ม 3. ดัลบ์แบตเตอรี่ 4. ช่องใส่แบตเตอรี่

เมื่อต้องการใส่ดัลบ์แบตเตอรี่ ให้จัดแนวสันบนดัลบ์แบตเตอรี่ให้ตรงกับร่องบนตัวช่องใส่แบตเตอรี่ แล้วเลื่อนดัลบ์แบตเตอรี่เข้าที่ ใส่ดัลบ์แบตเตอรี่เข้าจนสุดจนกระทั่งลิ้อคเข้าที่ซึ่งจะได้ยินเสียงคลิกเบาๆ หากยังเห็นส่วนสีแดงที่ด้านบนของปุ่ม แสดงว่าดัลบ์แบตเตอรี่ยังไม่ลิ้อคเข้าที่

เมื่อต้องการถอดดัลบ์แบตเตอรี่ ให้เลื่อนออกจากช่องใส่แบตเตอรี่พร้อมกับกดปุ่มที่ด้านหน้าของดัลบ์เอาไว้

⚠️ ข้อควรระวัง: ใส่ตลับแบตเตอรี่เข้าจนสุดจนไม่เห็น ส่วนสีแดงอีกเสมอ มิฉะนั้นตลับแบตเตอรี่อาจหลุดออกจากช่องใส่แบตเตอรี่ ทำให้คุณหรือคนรอบข้างได้รับบาดเจ็บได้

⚠️ ข้อควรระวัง: อย่าฝืนใส่ตลับแบตเตอรี่ หากตลับแบตเตอรี่ไม่เลื่อนเข้าไปโดยง่าย แสดงว่าใส่ไม่ถูกต้อง

การติดตั้งช่องใส่แบตเตอรี่

คุณสามารถห้อยช่องใส่แบตเตอรี่ไว้ที่เข็มขัดที่รัดเอวคุณได้ เพื่อป้องกันช่องใส่แบตเตอรี่หล่นโดยไม่ตั้งใจ ให้ติดตั้งสายรัดเข้ากับรูสายรัดและยึดให้แน่น

▶ **หมายเลข 3:** 1. รูสายรัด

ช่องใส่แบตเตอรี่มีฟังก์ชันกันหล่น เมื่อนำช่องใส่แบตเตอรี่ออกจากเข็มขัด ให้ดึงช่องใส่แบตเตอรี่ขึ้นพร้อมกับกดปุ่มปลดล๊อค

▶ **หมายเลข 4:** 1. ปุ่มปลดล๊อค

เชื่อมต่ออุปกรณ์ USB

⚠️ ข้อควรระวัง: เชื่อมต่ออุปกรณ์ที่ใช้ได้กับพอร์ต USB จ่ายไฟเท่านั้น มิฉะนั้นอาจทำให้ช่องใส่แบตเตอรี่ทำงานผิดปกติได้

ข้อสังเกต: ก่อนการเชื่อมต่ออุปกรณ์ USB เข้ากับช่องใส่แบตเตอรี่ (ที่มีแบตเตอรี่) ให้ทำการสำรองข้อมูลในอุปกรณ์ USB ไว้ด้วยเสมอ มิฉะนั้นข้อมูลอาจสูญหายได้

ข้อสังเกต: ช่องใส่แบตเตอรี่อาจไม่จ่ายไฟให้กับอุปกรณ์ USB บางประเภท

ข้อสังเกต: เมื่อไม่ได้ใช้งานหรือหลังจากชาร์จแล้ว ให้ถอดสาย USB และปิดฝา

ช่องใส่แบตเตอรี่ (พร้อมตลับแบตเตอรี่) สามารถใช้เป็นแหล่งจ่ายไฟภายนอกสำหรับอุปกรณ์ USB ได้

เปิดฝาด้านบนและเชื่อมต่อสาย USB (ไม่ได้มีมาให้) เข้ากับพอร์ต USB ของช่องใส่แบตเตอรี่ เชื่อมต่อปลายสายเคเบิลอีกด้านหนึ่งกับอุปกรณ์ การเริ่มต้นชาร์จ ให้กดปุ่มไฟหลักค้างไว้จนกระทั่งไฟบ่งชี้ระดับพลังงานสว่างขึ้น การหยุดชาร์จ ให้กดปุ่มไฟหลักค้างไว้จนกระทั่งไฟบ่งชี้ระดับพลังงานดับลง

▶ **หมายเลข 5:** 1. ฝาด้านบน 2. พอร์ต USB

หมายเหตุ: กระแสไฟฟ้าเอาต์พุตจริงอาจแตกต่างกันไปขึ้นอยู่กับอุปกรณ์ USB ที่เชื่อมต่ออยู่

หมายเหตุ: ไฟฟ้าจากแบตเตอรี่จะถูกใช้ถ้าปุ่มไฟหลักเปิดอยู่ ปิดสวิตช์เสมอเมื่อไม่ได้ใช้งาน

หมายเหตุ: เมื่อทำการชาร์จอุปกรณ์ USB ต่อเนื่องกันหลายเครื่อง ให้รอประมาณ 10 วินาทีหลังจากชาร์จอุปกรณ์ก่อนหน้าเสร็จ ก่อนจะเริ่มชาร์จอุปกรณ์ถัดไป

การบำรุงรักษา

ข้อสังเกต: ห้ามใช้แก๊สโซลีน เบนซิน ทินเนอร์ แอลกอฮอล์ หรือสิ่งอื่นที่คล้ายกันนี้ เนื่องจากอาจทำให้สีซีดจาง เสียรูป หรือแตกร้าวได้

ข้อสังเกต: อย่าล้างช่องใส่แบตเตอรี่ในน้ำ

- เช็ดสิ่งสกปรก ฝุ่น น้ำมัน จาระบี ไขมัน บนตัวเครื่องด้วยผ้าแห้งที่สะอาด หรือผ้าชุบน้ำสบู่แล้วบิดให้แห้งจนหมาด
- เก็บอุปกรณ์ให้อยู่ในที่ที่จะไม่ร้อนเกินไป เย็นเกินไป หรือมีความชื้น

เพื่อความปลอดภัยและนำเชื้อถือของผลิตภัณฑ์ ควรให้ศูนย์บริการหรือโรงงานที่ผ่านการรับรองจาก Makita เป็นผู้ดำเนินการซ่อมแซม บำรุงรักษาและทำการปรับตั้งอื่นๆ นอกจากนี้ให้ใช้อะไหล่ของแท้จาก Makita เสมอ

SPEKIFIKASI

Model	TD0000111 Pemegang bateri untuk kartrij bateri LXT	TD0000110 Pemegang bateri untuk kartrij bateri CXT
Voltan terkadar	D.C. 14.4 V D.C. 18 V	D.C. 10.8 V - 12 V maks
Kartrij bateri	BL1415N / BL1430B / BL1440 / BL1460B BL1815N / BL1820B / BL1830 / BL1830B / BL1840B / BL1850B / BL1860B	BL1016 / BL1021B / BL1041B
Port bekalan kuasa USB	D.C. 5 V, 2.4 A, Jenis A	
Dimensi (P x L x T)	100 mm x 78 mm x 39 mm	88 mm x 61 mm x 33 mm
Berat bersih	0.14 kg	0.09 kg

- Sesetengah kartrij bateri yang disenaraikan di atas mungkin tidak tersedia bergantung pada kawasan kediaman anda.

⚠️ AMARAN: Gunakan hanya kartrij bateri disenaraikan di atas. Penggunaan mana-mana kartrij bateri yang lain mungkin menyebabkan kecederaan dan/atau kebakaran.

Simbol

Beberapa simbol berikut digunakan untuk produk ini. Pastikan anda memahami maksudnya sebelum menggunakannya.



Baca manual arahan.



Ni-MH
Li-ion

Hanya untuk negara-negara EU
Disebabkan kehadiran komponen berbahaya dalam peralatan, sisa peralatan elektrik dan elektronik, akumulator dan bateri boleh memberi kesan negatif terhadap persekitaran dan kesihatan manusia.

Jangan buang alat elektrik dan elektronik atau bateri bersama dengan bahan buangan isi rumah!
Mengikut Arahan Eropah mengenai sisa peralatan elektrik dan elektronik dan mengenai akumulator dan bateri dan sisa akumulator dan bateri serta penyesuaian dengan undang-undang negara, sisa peralatan elektrik, bateri dan akumulator hendaklah disimpan secara berasingan dan dihantar ke tempat pengumpulan berasingan untuk sisa perbandaran, beroperasi mengikut peraturan perlindungan persekitaran.
Ini ditunjukkan oleh simbol tong sampah beroda yang bersilang pada peralatan.

AMARAN KESELAMATAN

⚠️ AMARAN: Sebelum digunakan, pastikan anda membaca manual arahan produk Makita anda yang akan digunakan bersama perkakas ini.

⚠️ AMARAN: Gunakan perkakas ini dengan produk yang ditentukan oleh Makita sahaja. Menggunakan perkakas dengan produk yang tidak patuh mungkin menyebabkan kebakaran, pemanasan lampau, letupan atau kebocoran elektrolit.

Keselamatan elektrik

1. **Jangan kendalikan kord dan bateri dengan tangan basah atau berminyak.**
2. **Jangan gunakan kabel USB yang rosak.**
3. **Jangan salah gunakan kord. Jangan gunakan kord untuk membawa, menarik atau mencabut palam. Jauhkan kord daripada haba, minyak dan bucu tajam.**
4. **Jangan biarkan mana-mana kord dinyahsambung semasa kuasa bateri dibekalkan.** Kanak-kanak kecil mungkin memasukkan palam hidup ke dalam mulut mereka dan menyebabkan kecederaan.
5. **Jangan masukkan paku, wayar atau barang lain ke dalam port bekalan kuasa USB.** Berbuat demikian boleh menyebabkan litar pintas, yang boleh menyebabkan asap atau kebakaran.
6. **Jangan sambungkan sumber kuasa ke port USB. Port USB hanya bertujuan untuk mengemas peranti voltan yang lebih rendah. Sentiasa letakkan penutup di atas port USB apabila tidak mengemas peranti voltan yang lebih rendah.** Jika tidak, terdapat risiko kebakaran.

7. **Cas semula dengan pengecas yang ditentukan oleh pengeluar sahaja. Pengecas yang sesuai untuk satu jenis pek bateri mungkin menimbulkan risiko kebakaran apabila digunakan dengan pek bateri lain.**
8. **Gunakan perkakas dengan pek bateri yang ditentukan secara khusus sahaja.** Penggunaan mana-mana pek bateri lain mungkin menimbulkan risiko kecederaan dan kebakaran.
9. **Apabila pek bateri tidak digunakan, jauhkannya daripada objek logam lain, seperti klip kertas, duit syiling, paku, skru atau objek logam kecil lain, yang boleh membuat sambungan dari satu terminal ke terminal yang lain.** Memintas terminal bateri bersama-sama mungkin menyebabkan lecuran atau kebakaran.
10. **Di bawah keadaan kasar, cecair mungkin dikeluarkan daripada bateri; elakkan sentuhan. Jika tersentuh secara tidak sengaja, siram dengan air. Jika cecair terkena mata, dapatkan bantuan perubatan di samping siraman air.** Cecair yang dikeluarkan dari bateri mungkin menyebabkan kegatalan atau luka kebakaran.
11. **Jangan gunakan bateri atau perkakas yang akan digunakan dengan bateri jika bateri atau perkakas tersebut rosak atau diubah suai.** Bateri atau perkakas yang rosak atau diubah suai mungkin menunjukkan tingkah laku yang tidak dijangka menyebabkan kebakaran, letupan atau risiko kecederaan.
12. **Jangan dedahkan pek bateri kepada api atau suhu yang berlebihan.** Pendedahan kepada api atau suhu melebihi 130 °C mungkin menyebabkan letupan.
13. **Ikut semua arahan pengecasan dan jangan cas pek bateri di luar julat suhu yang ditentukan dalam arahan.** Mengcas dengan cara yang salah atau pada suhu di luar julat yang ditentukan mungkin merosakkan bateri dan meningkatkan risiko kebakaran.
14. **Pastikan servis dijalankan oleh orang yang berkelayakan menggunakan alat ganti yang sama.** Ini akan memastikan keselamatan produk dapat dikekalkan.
15. **Jangan ubah suai atau cuba membaiki perkakas atau pek bateri kecuali seperti yang dinyatakan dalam arahan untuk penggunaan dan penjagaan.**
4. **Jika elektrolit masuk ke dalam mata anda, bilas mata dengan air jernih dan dapatkan rawatan perubatan serta merta. Ia mungkin menyebabkan kehilangan penglihatan.**
5. **Jangan pintaskan kartrij bateri:**
 - (1) **Jangan sentuh terminal dengan bahan berkonduksi.**
 - (2) **Elakkan menyimpan kartrij bateri dalam bekas bersama-sama objek besi lain seperti paku, duit syiling, dll.**
 - (3) **Jangan dedahkan kartrij bateri kepada air atau hujan.**

Pintasan bateri boleh menyebabkan aliran kuasa yang besar, pemanasan lampau, melecur dan juga kerosakan.
6. **Jangan simpan dan gunakan alat dan kartrij bateri di lokasi yang suhunya mungkin mencapai atau melebihi 50 °C (122 °F).**
7. **Jangan bakar kartrij bateri walaupun jika ia rosak teruk atau haus sepenuhnya. Kartrij bateri boleh meletup dalam kebakaran.**
8. **Jangan paku, potong, pecahkan, buang, jatuhkan kartrij bateri, atau tekan objek keras pada kartrij bateri.** Perbuatan sedemikian boleh mengakibatkan kebakaran, haba berlebihan, atau letupan.
9. **Jangan gunakan bateri yang rosak.**
10. **Bateri litium ion yang terkandung adalah tertakluk kepada keperluan Perundangan Barangan Berbahaya.** Bagi pengangkutan komersil cth. oleh pihak ketiga, ejen penghantar, keperluan khas pada pembungkusan dan pelabelan mestilah diperhatikan. Bagi persediaan item yang dihantar, berunding dengan pakar bahan berbahaya adalah diperlukan. Sila juga perhatikan sebolehnya peraturan kebangsaan yang lebih terperinci. Letakkan atau balut bahagian terbuka dan pek bateri supaya ia tidak bergerak dalam pembungkusan.
11. **Apabila melupuskan kartrij bateri, keluarkan ia daripada alat dan lupuskan ia di tempat selamat. Ikut peraturan tempatan anda mengenai pelupusan bateri.**
12. **Gunakan bateri hanya dengan produk yang ditentukan oleh Makita.** Memasang bateri kepada produk yang tidak patuh mungkin menyebabkan kebakaran, pemanasan lampau, atau kebotoran elektrolit.
13. **Jika alat tidak digunakan untuk tempoh masa yang lama, bateri mesti dikeluarkan daripada alat.**
14. **Semasa dan selepas penggunaan, kartrij bateri mungkin ada haba yang boleh menyebabkan terbakar atau suhu rendah terbakar. Beri perhatian kepada pengendalian kartrij bateri yang panas.**
15. **Jangan sentuh terminal alat itu selepas digunakan kerana ia mungkin panas menyebabkan terbakar.**

Arahan keselamatan penting untuk kartrij bateri

1. **Sebelum menggunakan kartrij bateri, baca semua arahan dan tanda amaran pada (1) pengecas bateri, (2) bateri, dan (3) produk menggunakan bateri.**
2. **Jangan buka atau cabut kartrij bateri.** Ia boleh mengakibatkan kebakaran, haba berlebihan, atau letupan.
3. **Jika masa operasi menjadi sangat pendek, berhenti operasi serta merta.** Ia mungkin menyebabkan risiko pemanasan lampau, melecur bahkan letupan.
4. **Jika elektrolit masuk ke dalam mata anda, bilas mata dengan air jernih dan dapatkan rawatan perubatan serta merta. Ia mungkin menyebabkan kehilangan penglihatan.**
5. **Jangan pintaskan kartrij bateri:**
 - (1) **Jangan sentuh terminal dengan bahan berkonduksi.**
 - (2) **Elakkan menyimpan kartrij bateri dalam bekas bersama-sama objek besi lain seperti paku, duit syiling, dll.**
 - (3) **Jangan dedahkan kartrij bateri kepada air atau hujan.**

Pintasan bateri boleh menyebabkan aliran kuasa yang besar, pemanasan lampau, melecur dan juga kerosakan.
6. **Jangan simpan dan gunakan alat dan kartrij bateri di lokasi yang suhunya mungkin mencapai atau melebihi 50 °C (122 °F).**
7. **Jangan bakar kartrij bateri walaupun jika ia rosak teruk atau haus sepenuhnya. Kartrij bateri boleh meletup dalam kebakaran.**
8. **Jangan paku, potong, pecahkan, buang, jatuhkan kartrij bateri, atau tekan objek keras pada kartrij bateri.** Perbuatan sedemikian boleh mengakibatkan kebakaran, haba berlebihan, atau letupan.
9. **Jangan gunakan bateri yang rosak.**
10. **Bateri litium ion yang terkandung adalah tertakluk kepada keperluan Perundangan Barangan Berbahaya.** Bagi pengangkutan komersil cth. oleh pihak ketiga, ejen penghantar, keperluan khas pada pembungkusan dan pelabelan mestilah diperhatikan. Bagi persediaan item yang dihantar, berunding dengan pakar bahan berbahaya adalah diperlukan. Sila juga perhatikan sebolehnya peraturan kebangsaan yang lebih terperinci. Letakkan atau balut bahagian terbuka dan pek bateri supaya ia tidak bergerak dalam pembungkusan.
11. **Apabila melupuskan kartrij bateri, keluarkan ia daripada alat dan lupuskan ia di tempat selamat. Ikut peraturan tempatan anda mengenai pelupusan bateri.**
12. **Gunakan bateri hanya dengan produk yang ditentukan oleh Makita.** Memasang bateri kepada produk yang tidak patuh mungkin menyebabkan kebakaran, pemanasan lampau, atau kebotoran elektrolit.
13. **Jika alat tidak digunakan untuk tempoh masa yang lama, bateri mesti dikeluarkan daripada alat.**
14. **Semasa dan selepas penggunaan, kartrij bateri mungkin ada haba yang boleh menyebabkan terbakar atau suhu rendah terbakar. Beri perhatian kepada pengendalian kartrij bateri yang panas.**
15. **Jangan sentuh terminal alat itu selepas digunakan kerana ia mungkin panas menyebabkan terbakar.**

16. **Jangan biarkan cip, habuk, atau tanah terperangkap ke dalam terminal, lubang, dan alur kartrij bateri.** Ia mungkin menyebabkan prestasi atau pecahan yang buruk dari alat atau kartrij bateri.
17. **Melainkan alat ini menyokong penggunaan yang hampir dari talian kuasa elektrik voltan tinggi, jangan gunakan kartrij bateri berhampiran talian kuasa elektrik voltan tinggi.** Ia mungkin menyebabkan kerosakan atau pecah pada alat atau kartrij bateri.
18. **Jauhkan bateri daripada kanak-kanak.**

SIMPAN ARAHAN INI.

⚠️ PERHATIAN: Hanya gunakan bateri asli Makita. Penggunaan bateri tidak asli Makita, atau bateri yang telah diubah suai, mungkin menyebabkan bateri meletup menyebabkan kebakaran, kecederaan diri dan kerosakan. Ia juga membatalkan jaminan Makita untuk alat Makita dan pengecas.

Tip untuk mengekalkan hayat bateri maksimum

1. **Cas kartrij bateri sebelum ternyahcas sepenuhnya. Sentiasa hentikan operasi alat dan cas kartrij bateri apabila anda menyedari kurang kuasa alat.**
2. **Jangan cas semula kartrij bateri yang dicas sepenuhnya. Terlebih cas memendekkan hayat servis bateri.**
3. **Cas kartrij bateri dengan suhu bilik pada 10 °C - 40 °C (50 °F - 104 °F). Biarkan kartrij bateri yang panas menyejuk sebelum mengecasnya.**
4. **Apabila tidak menggunakan kartrij bateri, tanggalkannya dari alat atau pengecas.**
5. **Cas kartrij bateri jika anda tidak gunakannya untuk tempoh yang lama (lebih daripada enam bulan).**

KETERANGAN BAHAGIAN

Pemegang ini boleh digunakan untuk jaket/ves berkipas dan jaket/ves/selimut pemanas Makita yang berikut.

► Rajah1

Kumpulan	Model
A	Jaket /ves berkipas: DFV210, DFJ206, DFJ207, DFJ210, DFJ211, DFJ212, DFJ213, DFJ214, DFJ216, DFJ304, DFJ305, DFJ310, DFJ311, DFJ405, DFJ407, DFJ410, DFJ411, DFJ416 Jaket / ves / selimut pemanas: CV102D, DCV202, CJ105D, CJ106D, DCJ205, DCJ206, CB100D, DCB200
B	Jaket /ves berkipas: DFJ212A, DFJ213A, DFJ214A, DFJ216A, DFJ312A, DFJ416A, DFV210A, DFV214A

1. Penunjuk tahap kuasa

Apabila menggunakan jaket/ves berkipas, tahap kuasa dipaparkan.

NOTA: Jika anda menggunakan jaket/ves berkipas dalam kumpulan A yang disenaraikan di atas, penunjuk tahap kuasa 4 tidak akan menyala kerana unit kipas menggunakan kawalan 3 langkah.

NOTA: Jika anda menggunakan jaket/ves/selimut pemanas, hanya penunjuk tahap kuasa 4 yang akan menyala.

2. Butang kuasa

Untuk menghidupkan, masukkan kartrij bateri dan kemudian tekan dan tahan butang kuasa sehingga penunjuk tahap kuasa menyala. Untuk menukar tahap kuasa jaket/ves berkipas, tekan butang kuasa sekejap apabila kuasa dihidupkan. Untuk mematikan, tekan dan tahan butang kuasa sehingga penunjuk tahap kuasa padam.

NOTA: Untuk menukar kehangatan jaket/ves/selimut pemanas, tekan butang pada jaket/ves/selimut pemanas apabila ia dikuasakan.

3. Soket kuasa

Sambungkan kabel daripada jaket/ves/selimut atau kabel penyesuai.

4. Kabel penyesuai untuk jaket/ves berkipas (aksesori pilihan)

Gunakan kabel penyesuai apabila menggunakan produk dalam kumpulan A yang disenaraikan di atas.

5. Kabel penyesuai untuk jaket/ves/selimut pemanas (aksesori pilihan)

Gunakan kabel penyesuai apabila menggunakan produk dalam kumpulan A yang disenaraikan di atas.

6. Kord kuasa jaket/ves/selimut

Untuk produk dalam kumpulan A yang disenaraikan di atas, sambungkan kabel penyesuai yang sesuai untuk jaket/ves berkipas atau jaket/ves/selimut pemanas.

Untuk produk dalam kumpulan B yang disenaraikan di atas, sambungkan ke soket kuasa pemegang bateri.

NOTA: Bentuk dan lokasi soket berbeza bergantung pada jaket/ves/selimut anda.

7. Kartrij bateri (aksesori pilihan)

Masukkan kartrij bateri sepenuhnya ke pemegang sehingga ia terkunci di tempatnya dengan klik kecil.

KETERANGAN FUNGSI

Memasang atau mengeluarkan kartrij bateri

⚠️PERHATIAN: Pegang pemegang bateri dan kartrij bateri dengan kuat semasa memasang atau mengeluarkan kartrij bateri. Kegagalan untuk memegang pemegang bateri dan kartrij bateri dengan kuat boleh menyebabkan ia terlepas daripada tangan anda dan mengakibatkan kerosakan kepada pemegang bateri dan kartrij bateri dan/atau kecederaan diri.

⚠️PERHATIAN: Sentiasa matikan peranti sebelum mengeluarkan kartrij bateri.

► **Rajah2:** 1. Penunjuk merah 2. Butang 3. Kartrij bateri 4. Pemegang bateri

Untuk memasang kartrij bateri, selaraskan lidah pada kartrij bateri dengan alur pada perumah dan gelincirkan ia ke tempatnya. Masukkan kartrij bateri sepenuhnya sehingga ia terkunci di tempatnya dengan klik kecil. Jika anda boleh melihat penunjuk merah di sisi atas butang, ia tidak dikunci sepenuhnya.

Untuk mengeluarkan kartrij bateri, luncurkan ia daripada pemegang bateri apabila menekan butang di hadapan kartrij.

⚠️PERHATIAN: Sentiasa pasang kartrij bateri sepenuhnya sehingga penunjuk merah tidak boleh dilihat. Jika tidak, kartrij bateri mungkin terjatuh secara tidak sengaja daripada pemegang bateri, menyebabkan kecederaan kepada anda atau seseorang di sekeliling anda.

⚠️PERHATIAN: Jangan paksa pasang kartrij bateri. Jika kartrij bateri tidak meluncur masuk dengan mudah, ia tidak dimasukkan dengan betul.

Memasang pemegang bateri

Anda boleh menggantung pemegang bateri di pinggang anda.

Untuk mengelakkan pemegang bateri daripada jatuh secara tidak sengaja, pasang tali menggunakan lubang tali dan ketatkannya.

► **Rajah3:** 1. Lubang tali

Pemegang bateri mempunyai fungsi anti-jatuh. Apabila menanggalkan pemegang bateri dari tali pinggang, tarik pemegang bateri sambil menekan butang buka kunci.

► **Rajah4:** 1. Butang buka kunci

Menyambungkan peranti USB

⚠️PERHATIAN: Sambungkan peranti yang serasi dengan port bekalan kuasa USB sahaja. Tidak berbuat demikian boleh menyebabkan kerosakan pada pemegang bateri.

NOTIS: Sebelum menyambungkan peranti USB kepada pemegang bateri (dengan bateri), sentiasa sandarkan data pada peranti USB. Tidak berbuat demikian boleh menyebabkan kehilangan data anda.

NOTIS: Pemegang bateri mungkin tidak membekalkan kuasa kepada beberapa peranti USB.

NOTIS: Apabila tidak digunakan atau selepas mengecas, keluarkan kabel USB dan tutup penutup.

Pemegang bateri (dengan kartrij bateri) boleh berfungsi sebagai bekalan kuasa luaran untuk peranti USB.

Buka penutup dan sambungkan kabel USB (tidak disertakan) ke port USB pemegang bateri. Kemudian, sambungkan hujung kabel yang lain ke peranti. Untuk mula mengecas, tekan dan tahan butang kuasa hingga penunjuk tahap kuasa menyala. Untuk berhenti mengecas, tekan dan tahan butang kuasa hingga penunjuk tahap kuasa padam.

► **Rajah5:** 1. Penutup 2. Port USB

NOTA: Arus output sebenar berbeza bergantung pada peranti USB yang akan disambungkan.

NOTA: Kuasa bateri digunakan semasa butang kuasa dihidupkan. Sentiasa matikan suis apabila tidak digunakan.

NOTA: Apabila mengecas berbilang peranti USB secara berturut-turut, tunggu selama kira-kira 10 saat selepas pengecasan peranti terdahulu selesai sebelum mula mengecas peranti yang seterusnya.

PENYELENGGARAAN

NOTIS: Jangan gunakan gasolin, benzin, pencair, alkohol atau bahan yang serupa. Ia boleh menyebabkan perubahan warna, bentuk atau keretakan.

NOTIS: Jangan basuh pemegang bateri dengan air.

- Sapu kotoran, habuk, minyak, gris dan lain-lain pada perumah dengan kain kering yang bersih atau kain yang dicelup dalam air sabun dan diperah dengan kuat.
- Simpan perkakas di tempat yang tidak akan terlalu panas, sejuk atau lembap.

Untuk mengekalkan KESELAMATAN dan KEBOLEHPERCAYAAN produk, pembaikan, apa-apa penyelenggaraan atau penyesuaian lain perlu dilakukan oleh Kilang atau Pusat Servis Makita yang Diiktiraf, sentiasa gunakan alat ganti Makita.

وصل کردن وسایل USB

4. کابل تبدیل برای کاپشن/جلیقه فن دار (وسيله جاتی اختیاری)

در صورت استفاده از محصولات گروه A فوق باید از کابل تبدیل استفاده کنید.

5. کابل تبدیل برای کاپشن/جلیقه/پتوی گرم شونده (وسيله جاتی اختیاری)

در صورت استفاده از محصولات گروه A فوق باید از کابل تبدیل استفاده کنید.

6. سیم برق برای کاپشن/جلیقه/پتو

برای محصولات گروه A فوق، کابل تبدیل مناسب را برای کاپشن/جلیقه فن دار یا کاپشن/جلیقه/پتوی گرم شونده وصل کنید.

برای محصولات گروه B فوق، پریز برق نگهدارنده باتری را وصل کنید.

توجه: شکل و محل پریز بسته به کاپشن/جلیقه/پتوی شما متفاوت خواهد شد.

7. کارت ریج باتری (وسيله جاتی اختیاری)

کارت ریج باتری را تا انتها وارد نگهدارنده کنید تا با یک صدای کلیک خفیف در جای خود قفل و مستقر شود.

تشریح عملکرد دستگاه

نصب یا برداشتن کارت ریج باتری

احتیاط: هنگام نصب یا برداشتن کارت ریج باتری، نگهدارنده باتری و کارت ریج باتری را محکم نگه دارید. محکم نگرهفتن نگهدارنده باتری و کارت ریج باتری باعث می شود از دست شما بیافتند و در نتیجه با صدمه دیدن نگهدارنده باتری و کارت ریج باتری و/یا جراحت شخصی روبرو خواهید شد.

احتیاط: همیشه پیش از برداشتن کارت ریج باتری باید دستگاه را خاموش کنید.

◀ **شکل: 1.** نشانگر قرمز 2، دکمه 3، کارت ریج باتری 4، نگهدارنده باتری

برای نصب کارت ریج باتری، زبانه روی کارت ریج باتری را با شیار جایگاه تراز کرده و آنرا در جای خود بگذارید. کارت ریج باتری را تا انتها وارد کنید تا با یک صدای کلیک خفیف در جای خود قفل و مستقر شود. اگر می توانید نشانگر قرمز بالای دکمه را ببینید بدین معنی است که بطور کامل قفل نشده است.

برای برداشتن کارت ریج باتری، در حالی که دکمه جلوی کارت ریج را فشار می دهید آنرا از نگهدارنده باتری بیرون بکشید.

احتیاط: همیشه کارت ریج باتری را بطور کامل قرار دهید تا نشانگر قرمز دیگر دیده نشود. چون در غیر اینصورت امکان دارد کارت ریج باتری تصادفاً از نگهدارنده باتری بیرون افتاده و شما یا اطرافیان شما را مجروح کند.

احتیاط: کارت ریج باتری را با توسل به زور قرار ندهید. اگر کارت ریج باتری براحتی در جای خود قرار نمی گیرد، روش قرار دادن صحیح نیست.

وصل کردن نگهدارنده باتری

می توانید نگهدارنده باتری را به کمر بند خود آویزان کنید. برای جلوگیری از افتادن تصادفی نگهدارنده باتری، با استفاده از سوراخ بند یک بند وصل کرده و آنرا محکم کنید.

◀ **شکل: 3.** 1. سوراخ بند

نگهدارنده باتری دارای قابلیت ضد افتادن است. هنگامی که نگهدارنده باتری را از کمر بند جدا می کنید، در حالی که دکمه باز کردن قفل را فشار می دهید نگهدارنده باتری را بالا بکشید.

◀ **شکل: 4.** 1. دکمه باز کردن قفل

احتیاط: فقط وسایلی را وصل کنید که با درگاه تغذیه توان USB سازگاری داشته باشند. عدم رعایت این نکته باعث بروز اشکالات کاری در نگهدارنده باتری خواهد شد.

تذکر: پیش از متصل کردن وسیله USB به نگهدارنده باتری (با باتری)، همیشه از داده های وسیله USB پشتیبان گیری کنید. عدم رعایت این نکته می تواند باعث از بین رفتن اطلاعات شما بشود.

تذکر: نگهدارنده باتری ممکن است قادر به تغذیه توان برای برخی وسایل USB نباشد.

تذکر: هنگامی که تحت استفاده نیست یا بعد از شارژ، کابل USB را برداشته و قاب را ببندید.

نگهدارنده باتری (با کارت ریج باتری) می تواند بعنوان یک منبع تغذیه بیرونی برای وسایل USB استفاده شود.

قاب را باز کرده و یک کابل USB (ارائه نشده است) به درگاه USB نگهدارنده باتری وصل کنید. سپس سر دیگر کابل را به دستگاه وصل کنید. برای شروع شارژ، دکمه روشن خاموش را فشار داده و نگه دارید تا اینکه نشانگر میزان توان روشن شود. برای متوقف کردن شارژ، دکمه روشن خاموش را فشار داده و نگه دارید تا نشانگر میزان توان خاموش شود.

◀ **شکل: 1.** قاب 2. درگاه USB

توجه: جریان خروجی واقعی به وسیله USB که متصل می شود بستگی دارد.

توجه: اگر دکمه روشن خاموش در وضعیت روشن باشد، توان باتری مصرف خواهد شد. هنگامی که استفاده نمی کنید باید همیشه دکمه را خاموش کنید.

توجه: هنگامی که می خواهید چند وسیله USB را پشت سر هم شارژ کنید، حدود 10 ثانیه بعد از اتمام شارژ وسیله قبلی صبر کرده و بعد شارژ وسیله بعدی را شروع کنید.

نگهداری

تذکر: هرگز از بنزین، بزن، تینر، الکل و مواد مشابه استفاده نکنید. امکان تغییر رنگ، تغییر شکل و یا ترک خوردگی وجود خواهد داشت.

تذکر: نگهدارنده باتری را با آب نشویید.

— خاک، گرد و غبار، روغن، گریس و غیره روی بدنه را با یک دستمال خشک تمیز یا یک دستمال آغشته به آب صابون و چلاند شده با ملایمت تمیز کنید.

— وسیله را در جایی نگهداری کنید که خیلی گرم، سرد یا مرطوب نباشد. به منظور حفظ ایمنی و اطمینان پذیری دستگاه، تعمیرات، کارهای نگهداری و یا تنظیمات باید توسط مراکز خدمات مجاز ماکیتا یا مراکز خدمات کارخانه و فقط با استفاده از قطعات یدکی اصل ماکیتا انجام شوند.

15. سعی نکنید دستگاه یا بسته باتری را دستکاری یا تعمیر کنید مگر در مواردی که در دستورالعمل های استفاده و نگهداری ذکر شده است.

راهنمایی های مهم ایمنی برای کارتریج باتری

- پیش از اینکه از کارتریج باتری استفاده کنید، کلیه دستورالعملها و علائم هشداردهنده درج شده روی (1) شارژر باتری، (2) باتری و (3) محصول استفاده کننده از باتری را مطالعه نمایید.
- کارتریج باتری را باز نکرده یا دستکاری نکنید. این کار می تواند موجب آتش سوزی، گرمای بیش از حد یا انفجار شود.
- اگر زمان کارکرد بیش از اندازه کوتاه شده است، فوراً کار را متوقف کنید. در این حالت خطر داغ شدن بیش از حد، سوختگی احتمالی و حتی انفجار وجود دارد.
- اگر الکتروولت وارد چشم شما شد، با آب تمیز آنرا از چشم خود خارج کرده و فوراً به پزشک مراجعه نمایید. خطر از دست دادن بینایی وجود دارد.
- کارتریج باتری را اتصال کوتاه نکنید:
 - پایانه ها را با مواد هادی لمس نکنید.
 - کارتریج باتری را نباید در کنار اشیای فلزی دیگر مانند میخ، سکه و غیره در یک جعبه یا قوطی کنار هم نگهداری کنید.
 - کارتریج باتری را در معرض آب یا باران قرار ندهید.
- اتصال کوتاه باتری می تواند باعث برقراری جریان قوی، گرم شدن بیش از حد، سوختگی احتمالی و حتی خرابی شود.
- ابزار و کارتریج باتری را نباید در مکانی که دمای آن به 50 درجه سانتیگراد (122 درجه فارنهایت) می رسد یا از آن بالاتر می رود نگهداری و استفاده کنید.
- کارتریج باتری را تحت هیچ شرایطی حتی اگر به شدت آسیب دیده یا بطور کامل از رده خارج شده باشد، نوسوزانید. کارتریج باتری در آتش منفجر خواهد شد.
- به کارتریج باتری میخ نزدیک، آنرا نبرید، له نکنید، پرتاب نکرده و آنرا بیندازید، یا با یک جسم سخت به کارتریج باتری ضربه وارد نکنید. این کارها می تواند موجب آتش سوزی، گرمای بیش از حد یا انفجار شود.
- از یک باتری آسیب دیده استفاده نکنید.
- باتری های یون-لیتیوم موجود مشمول الزامات قوانین کالاهای خطرناک می باشند.
 - الزامات ویژه بسته بندی و برچسب زدن باید در حمل های تجاری، بعنوان مثال توسط طرف های ثالث و شرکت های حمل رعایت گردند. برای آماده ساختن وسیله جهت حمل باید حتماً با یک متخصص مواد خطرناک مشورت کرد. در صورت وجود قوانین مشروح تر کشوری باید آنها را نیز رعایت کنید.
 - روی کنتاکت ها نوار چسبیده یا آنها را بپوشانید و باتری را طوری بسته بندی کنید که نواند در بسته بندی به اطراف جابجا شود.
- هنگام دور انداختن کارتریج باتری، آنرا از ابزار خارج کرده و در مکانی امن دور بیندازید. قوانین و مقررات محلی خود در ارتباط با دور انداختن باتری را رعایت کنید.
- باتری ها را فقط با دستگاه های مشخص شده توسط ماکیتا استفاده کنید. قرار دادن باتری ها در دستگاه های فاقد سازگاری می تواند منجر به آتش سوزی، گرم شدن بیش از حد، انفجار، یا نشتی الکتروولت شود.
- اگر از ابزار برای مدت طولانی استفاده نمی شود، باید باتری را از ابزار خارج سازیید.
- کارتریج باتری ممکن است در طول استفاده و بعد از آن گرم باشد و باعث سوختگی یا سوختگی های دما پایین شود. موقع دست زدن به کارتریج های باتری داغ توجه داشته باشید.
- دست بعد از استفاده نباید به پایانه ابزار دست بزنید چون می تواند آندرد داغ باشد که باعث سوختگی شود.
- اجازه ندهید تراشه ها، گرد و غبار یا خاک در پایانه ها، سوراخ ها و شیارهای کارتریج باتری جمع شوند. این امر می تواند باعث افت عملکرد یا خرابی ابزار یا کارتریج باتری شود.
- از کارتریج باتری در نزدیکی خطوط برق فشار قوی استفاده نکنید مگر اینکه ابزار قابلیت استفاده در مجاورت خطوط برق فشار قوی را داشته باشد. این امر می تواند باعث بروز اشکالات کاری یا خرابی ابزار یا کارتریج باتری شود.

18. باتری را از دسترس کودکان خارج سازیید.
این راهنمایی ها را نگهداری کنید.

⚠ احتیاط: فقط از باتری های اصل ماکیتا استفاده کنید. استفاده کردن از باتری های غیر اصل ماکیتا، یا باتری هایی که دستکاری شده اند می توانند باعث ترکبین باتری و ایجاد آتش سوزی، جراحت شخصی و یا خسارت شوند. همچنین گارانتی ماکیتا را برای ابزار و شارژر ماکیتا باطل خواهد کرد.

نکاتی برای به حداکثر رساندن عمر باتری

- کارتریج باتری را پیش از اینکه کاملاً تخلیه شود شارژ کنید. اگر متوجه افت توان ابزار شدید، همیشه باید کار با ابزار را متوقف کرده و کارتریج باتری را شارژ کنید.
- هرگز یک کارتریج باتری را که شارژ کامل دارد دوباره شارژ نکنید. شارژ بیش از حد عمر مفید باتری را کاهش می دهد.
- کارتریج باتری را در دمای اتاق بین 10 تا 40 درجه سانتیگراد (50 تا 104 درجه فارنهایت) شارژ کنید. اگر کارتریج باتری داغ است ابتدا بگذارید خنک شود بعد آنرا شارژ کنید.
- هنگامی که از کارتریج باتری استفاده نمی کنید، آنرا از ابزار یا شارژر خارج کنید.
- اگر از کارتریج باتری برای مدت طولانی استفاده نمی کنید (بیشتر از شش ماه) آنرا شارژ کنید.

معرفی اجزا و قطعات

این نگهدارنده را می توان برای کاپشن/جلیقه فن دار و کاپشن/جلیقه/پتوی گرم شونده ماکیتا زیر استفاده کرد.

شکل 1

میل	گروه
کاپشن/جلیقه فن دار: _DFJ211, _DFJ210, _DFJ207, _DFJ206, _DFV210, _DFJ304, _DFJ216, _DFJ214, _DFJ213, _DFJ212, _DFJ407, _DFJ405, _DFJ311, _DFJ310, _DFJ305, _DFJ416, _DFJ411, _DFJ410	A
کاپشن/جلیقه/پتوی گرم شونده: _DCJ205, _CJ106D, _CJ105D, _DCV202, _CV102D, _DCB200, _CB100D, _DCJ202	B
کاپشن/جلیقه فن دار: _DFJ216A, _DFJ214A, _DFJ213A, _DFJ212A, _DFV214A, _DFV210A, _DFJ416A, _DFJ312A	

1. نشانگر میزان توان

در هنگام استفاده از کاپشن/جلیقه فن دار، میزان توان نمایش داده می شود.

توجه: اگر از کاپشن/جلیقه های فن دار گروه A ذکر شده فوق استفاده می کنید، نشانگر میزان توان 4 روشن نخواهد شد زیرا واحدهای فن آنها از کنترل 3 پله ای بهره می برد.

توجه: اگر از کاپشن/جلیقه/پتوی گرم شونده استفاده کنید، فقط نشانگر میزان توان 4 روشن خواهد شد.

2. دکمه روشن خاموش

برای روشن کردن، کارتریج باتری را قرار داده و سپس دکمه روشن خاموش را فشار دهید و نگه دارید تا اینکه نشانگر میزان توان روشن شود.

برای تغییر دادن میزان توان کاپشن/جلیقه فن دار، دکمه روشن خاموش را موقعی که توان روشن است، کوتاه فشار دهید.

برای خاموش کردن، دکمه روشن خاموش را فشار داده و نگه دارید تا اینکه نشانگر میزان توان خاموش شود.

توجه: برای تغییر دادن گرمای کاپشن/جلیقه/پتوی گرم شونده، دکمه روی کاپشن/جلیقه/پتوی گرم شونده را بعد از اینکه روشن شد فشار دهید.

3. پرز برق

کابل کاپشن/جلیقه/پتوی گرم شونده یا کابل تبدیل را وصل کنید.

مشخصات فنی

مدل	TD0000111 نگهدارنده باتری برای شارژر CXT	TD0000111 نگهدارنده باتری برای شارژر LXT
ولتاژ اسمی	D.C. 10.8 V - 12 V حداکثر	D.C. 14.4 V D.C. 18 V
شارژر باتری	BL1041B / BL1021B / BL1016	BL1460B / BL1440 / BL1430B / BL1415N / BL1830B / BL1830 / BL1820B / BL1815N BL1860B / BL1850B / BL1840B
درگاه تغذیه توان	A 2.4 A · D.C. 5 V نوع A	
ابعاد (ارتفاع × عرض × طول)	88 mm x 61 mm x 33 mm	100 mm x 78 mm x 39 mm
وزن خالص	0.09 kg	0.14 kg

• بعضی از شارژرهای باتری ذکر شده در بالا ممکن است بسته به منطقه محل سکونت شما در دسترس نباشند.

⚠ هشدار: فقط از شارژرهای باتری ذکر شده در بالا استفاده کنید. استفاده از شارژرهای دیگر می تواند خطر جراثیم و یا آتش سوزی را به دنبال داشته باشد.

علائم و نشانه ها

برخی از علائم و نشانه های زیر ممکن است برای محصول بکار رفته باشد. پیش از استفاده باید حتماً از معنی آنها آگاه باشید.

دفترچه راهنما را مطالعه کنید.



فقط برای کشورهای عضو اتحادیه اروپا (EU) به دلیل وجود اجزای خطرناک در این دستگاه، لوازم مستعمل الکتریکی و الکترونیکی، انباره ها و باتری ها می توانند بر محیط زیست و سلامتی انسانها اثر منفی داشته باشند.
لوازم الکتریکی و الکترونیکی یا باتری ها را همراه با ضایعات و زباله های خانگی دور نیندازید!
در تعلق با مصوبه اروپایی درباره لوازم مستعمل الکتریکی و الکترونیکی و انباره ها و باتری ها و انباره ها و باتری های مستعمل، و اجرای آنها با توجه به مقررات و قوانین کشوری، لوازم مستعمل الکتریکی و انباره ها و باتری ها و انباره ها و باتری های مستعمل باید جداگانه نگهداری شده و به یک محل جمع آوری مجزا برای ضایعات شهری که مطابق با قوانین و مقررات محافظت از محیط زیست کار می کند، تحویل شوند.
این موضوع با علامت سطل زباله چرخدار ضربدر خورده روی دستگاه مشخص گردیده است.



4. موقعی که توان باتری تغذیه می شود هیچ سیمی را جدا نکنید. بچه های کوچک ممکن است دوشاخه برق دار را به دهان برده و مجروح شوند.
5. میخ، سیم یا چیزهای دیگر درگاه تغذیه توان USB وارد نکنید. این کار می تواند باعث اتصال کوتاه شود و موجب تولید دود یا آتش گردد.
6. منبع تغذیه توان را به درگاه USB وصل نکنید. درگاه USB فقط برای شارژ کردن تجهیزات ولتاژ پایین است. اگر یک وسیله ولتاژ پایین را شارژ نمی کنید باید همیشه قاب درگاه USB را قرار دهید. در غیر اینصورت خطر آتش سوزی وجود دارد.
7. عمل شارژ را فقط با شارژری که سازنده تعیین کرده است انجام دهید. شارژری که برای یک نوع بسته باتری مناسب باشد می تواند در صورت استفاده با یک بسته باتری دیگر خطر آتش سوزی ایجاد نماید.
8. وسیله ها را فقط با بسته های باتری تعیین شده اختصاصی آنها استفاده کنید. استفاده کردن از بسته های باتری دیگر می تواند به بروز خطر جراثیم یا آتش سوزی منجر شود.
9. هنگامی که بسته باتری تحت استفاده نیست، آن را سایر اشیای فلزی مانند گیره کاغذ، سکه، کلید، میخ، پیچ یا سایر اشیای فلزی کوچک که می توانند باعث اتصال دو پایانه بهم شوند دور نگه دارید. اتصال کوتاه پایانه های باتری می تواند باعث سوختگی یا آتش سوزی شود.

10. در شرایط نامناسب، امکان دارد مایعی از باتری به بیرون تراوش کند؛ از تماس با آن احتراز کنید. اگر تصادفاً تماس حاصل شد، با آب بشویید. اگر این مایع با چشمان شما تماس پیدا کرد به پزشک نیز مراجعه کنید. مایعی که از باتری تراوش می کند می تواند باعث تحریک و یا سوختگی شود.

11. اگر باتری یا وسیله ای که می خواهید با باتری از آن استفاده کنید آسیب دیده یا اصلاح شده اند نباید از آن استفاده کنید. باتری یا وسیله آسیب دیده یا اصلاح یافته ممکن است عملکرد غیرقابل پیش بینی داشته باشند که منجر به آتش سوزی، انفجار یا بروز خطر جراثیم خواهد شد.
12. بسته باتری را در معرض آتش یا دمای خیلی زیاد قرار ندهید. قرار دادن در معرض آتش یا دمای بالای 130 درجه سانتیگراد می تواند موجب انفجار شود.

13. تمام دستورالعمل های شارژ کردن را رعایت کرده و بسته باتری را در خارج از محدوده دمای مشخص شده در دستورالعمل ها شارژ نکنید. شارژ کردن به روش نادرست یا در دمای خارج از محدوده مشخص شده می تواند به باتری آسیب رسانده و خطر آتش سوزی را بالا ببرد.

14. کار سرویس را به تعمیرکاران واجد شرایط بسپارید و فقط از قطعات یدکی اصل استفاده کنید. توجه به این نکته تضمین کننده ایمنی دستگاه شماست.

هشدارهای ایمنی

⚠ هشدار: لطفاً پیش از استفاده، دفترچه راهنمای محصول ماکیتا خود را که می خواهید با این وسیله بکار ببرید مطالعه کنید.

⚠ هشدار: این وسیله را فقط با دستگاه های مشخص شده توسط ماکیتا استفاده کنید. استفاده از این وسیله با دستگاه های فاقد سازگاری می تواند منجر به آتش سوزی، گرم شدن بیش از حد، انفجار، یا نشتی الکترولیت شود.

ایمنی الکتریکی

1. سیم و باتری را با دستان خیس یا چرب لمس نکنید.
2. از یک کابل USB آسیب دیده استفاده نکنید.
3. از سیم استفاده غیر معقول نکنید. از سیم برای حمل، کشیدن یا جدا کردن از منبع تغذیه آن استفاده نکنید. سیم را از گرما، روغن و لایه های تیز دور نگه دارید.

7. صندوق البطارية (ملحق اختياري)

أدخل صندوق البطارية في الحامل إلى أقصى نقطة يصل إليها حتى يتم تثبيته في مكانه مع صدور صوت طقطقة بسيط.

ملاحظة: يتباين تيار الخرج الفعلي تبعاً لجهاز USB المطلوب توصيله.
ملاحظة: يتم استهلاك طاقة البطارية عندما يكون زر الطاقة قيد التشغيل. احرص دائماً على إيقاف تشغيل المفتاح في حالة عدم استخدام الأداة.
ملاحظة: عند شحن أجهزة USB متعددة بشكل متتابع، انتظر حوالي 10 ثوانٍ بعد اكتمال شحن الجهاز السابق وقيل بدء شحن الجهاز التالي.

الوصف الوظيفي

تركيب صندوق البطارية أو إزالته

⚠ تنبيه: أمسك حامل البطاريات صندوق البطارية بإحكام عند تركيب صندوق البطارية أو إزالته. قد يؤدي عدم الإمساك بحامل البطاريات وصندوق البطارية بإحكام إلى انزلاقهما من يدك مما يؤدي إلى تلفهما و/أو وقوع إصابة جسدية.

⚠ تنبيه: أوقف دائماً تشغيل الجهاز قبل إزالة صندوق البطارية.

الشكل 2: 1. المؤشر الأحمر، 2. الزر، 3. صندوق البطارية، 4. حامل البطاريات

لتركيب صندوق البطارية، قم بحاذة اللسان الموجود في صندوق البطارية مع التجويف الموجود في المبيت ثم حركه لينزلق في مكانه. أدخل صندوق البطارية قدر الإمكان حتى يصدّر صوت طقطقة بسيط يدل على ثباته في مكانه. إذا كنت تستطيع رؤية المؤشر الأحمر الموجود على الجانب العلوي من الزر، فإن ذلك يعني عدم تثبيته بشكل تام.

لإزالة صندوق البطارية، حركه لإخراجه من حامل البطاريات أثناء الضغط على الزر الموجود في مقدمة الصندوق.

⚠ تنبيه: قم دائماً بتركيب صندوق البطارية بالكامل حتى تتعزّز رؤية المؤشر الأحمر. وإلا، فقد يسقط صندوق البطارية فجأة خارج حامل البطاريات مما يتسبب في إصابتك أو إصابة شخص بجوارك.

⚠ تنبيه: لا تقم بتركيب صندوق البطارية عنوة. إذا لم ينزلق صندوق البطارية بسهولة، فذلك يعني إدخاله بشكل خاطئ.

تركيب حامل البطاريات

يمكنك تعليق حامل البطاريات على حزام الخصر، وللحيلولة دون سقوط هذا الحامل فجأة، اربطه بشريط يمر عبر فتحة الشريط لتثبيته.

الشكل 3: 1. فتحة الشريط

يتمتع حامل البطاريات بوظيفة مقاومة للسقوط. وعند زرع حامل البطاريات من الحزام، اسحبها لأعلى أثناء الضغط على زر إلغاء التأمين.

الشكل 4: 1. زر إلغاء التأمين

توصيل أجهزة USB

⚠ تنبيه: لا تقم بتوصيل سوى الأجهزة المتوافقة مع منفذ إمداد USB بالطاقة؛ فعدم فعل ذلك قد يتسبب في حدوث خلل وظيفي بحامل البطاريات.

إشعار: قبل توصيل جهاز USB بحامل البطاريات (ببطارية)، انسخ دائماً البيانات الموجودة على جهاز USB احتياطياً؛ فعدم فعل ذلك قد يتسبب في فقدها.

إشعار: قد لا يمد حامل البطاريات بعض أجهزة USB بالطاقة.

إشعار: عند عدم الاستخدام أو بعد الشحن، أزل كبل USB وأغلق الغطاء.

قد يعمل حامل البطاريات (مع صندوق البطارية) كمصدر طاقة خارجية لأجهزة USB.

افتح الغطاء، وقم بتوصيل كبل USB (غير مُضمّن) بمنفذ USB في حامل البطاريات. ثم قم بتوصيل الطرف الآخر من الكبل بالجهاز. لبدء الشحن، اضغط مع الاستمرار على زر الطاقة إلى أن يضيء مؤشر مستوى الطاقة. لإيقاف الشحن، اضغط مع الاستمرار على زر الطاقة إلى أن ينطفئ مؤشر مستوى الطاقة.

الشكل 5: 1. الغطاء، 2. منفذ USB

الصيانة

إشعار: تجنب استخدام الجازولين أو البنزين أو التتر أو الكحول أو ما شابه؛ فقد ينتج عن ذلك تغير لون الجهاز أو تشوه شكله أو تشققه.

إشعار: لا تتصل حامل البطاريات في المياه.

— امسح الأوساخ والغبار والزيت والشحم وغير ذلك من المبيت باستخدام قطعة قماش جافة نظيفة أو قطعة قماش مغموسة في ماء بصابون ومعصورة جيداً.

— احفظ الجهاز في مكان لن يتعرض فيه لسخونة أو برودة أو رطوبة بالغة.

للحفاظ على سلامة المنتج وموثوقيته، يجب إجراء أية عمليات إصلاح أو إجراءات صيانة أو ضبط أخرى لدى مراكز خدمة المصنع أو Makita المعتمدة، ونوصي دوماً باستعمال قطع غيار من إنتاج Makita.

3. اشحن صندوق البطارية في درجة حرارة الغرفة التي تتراوح من 10 درجات - 40 درجة مئوية . اترك صندوق البطارية الساخن يبرد قبل شحنها.
4. عند عدم استخدام صندوق البطارية، قم بإزالته من الآداة أو الشاحن.
5. اشحن صندوق البطارية إذا لم تكن ستستخدمه لفترة طويلة (أكثر من ستة أشهر).

وصف الأجزاء

يمكن استخدام هذا الحامل ستر/صدرتة/كثيف من Makita وستر/صدرتة/بطانية مدفاة.
الشكل 1

المجموعة	الطرز
A	ستر/صدرتة/كثيف: _DFJ211, _DFJ210, _DFJ207, _DFJ206, _DFV210, _DFJ304, _DFJ216, _DFJ214, _DFJ213, _DFJ212, _DFJ407, _DFJ405, _DFJ311, _DFJ310, _DFJ305, _DFJ416, _DFJ411, _DFJ410 ستر/صدرتة/بطانية مدفاة: _DCJ205, _CJ106D, _CJ105D, _DCV202, _CV102D, _DCB200, _CB100D, _DCJ206
B	ستر/صدرتة/كثيف: _DFJ216A, _DFJ214A, _DFJ213A, _DFJ212A, _DFV214A, _DFV210A, _DFJ416A, _DFJ312A

1. مؤشر مستوى الطاقة

عند استخدام ستر/صدرتة/كثيف، يتم عرض مستوى الطاقة.

ملاحظة: إذا استخدمت سترات / صدرات التكثيف الواردة في المجموعة A المدرجة أعلاه، فلن يضيء مؤشر مستوى الطاقة 4 لأن وحدات التكثيف تقوم بالتحكم على 3 خطوات.
ملاحظة: إذا استخدمت الستر/صدرتة/البطانية المدفاة، فلن يضيء سوى مؤشر مستوى الطاقة 4.

2. زر الطاقة

للتشغيل، أدخل صندوق البطارية، ثم اضغط مع الاستمرار على زر الطاقة حتى يضيء مؤشر مستوى الطاقة.
لتغيير مستوى طاقة ستر/صدرتة/كثيف، اضغط على زر الطاقة لفترة وجيزة عند تشغيل الطاقة.
لإيقاف التشغيل، اضغط مع الاستمرار على زر الطاقة إلى أن يتوقف مؤشر مستوى الطاقة عن التشغيل.

ملاحظة: لتغيير دفة الستر/صدرتة/البطانية المدفاة، اضغط على الزر الموجود في الستر/صدرتة/البطانية المدفاة عند إمدادها بالطاقة.

3. مقبس الطاقة

قم بتوصيل الكبل من الستر/صدرتة/البطانية أو كبل المهابئ.

4. كبل مهابئ ستر/صدرتة/كثيف (ملحق اختياري)

استخدم كبل المهابئ عند استخدام المنتجات الواردة في المجموعة A المدرجة أعلاه.

5. كبل المهابئ للستر/صدرتة/البطانية المدفاة (ملحق اختياري)

استخدم كبل المهابئ عند استخدام المنتجات الواردة في المجموعة A المدرجة أعلاه.

6. سلك طاقة الستر/صدرتة/البطانية

بالنسبة إلى المنتجات الواردة في المجموعة A المذكورة أعلاه، قم بتوصيل كبل المهابئ المناسب لستر/صدرتة/كثيف أو الستر/صدرتة/البطانية المدفاة.

بالنسبة إلى المنتجات الواردة في المجموعة B المذكورة أعلاه، قم بالتوصيل بمقبس طاقة حامل البطاريات.

ملاحظة: يتبين شكل المقبس وموقعه تبعاً للستر/صدرتة/البطانية.

3. إذا أصبحت فترة التشغيل أقصر بنسبة كبيرة للغاية، فأوقف التشغيل فوراً. قد يؤدي ذلك إلى خطر زيادة السخونة والحروق المحتملة بل وإلى وقوع انفجار.
4. إذا لاسم الإلكترونيات عينيك، فاشطفهما بالماء النظيف واطلب المساعدة الطبية فوراً. فقد يؤدي ذلك إلى أن تفقد بصرك.
5. لا تقم بإحداث دائرة قصر في صندوق البطارية:
(1) لا تلمس أطراف التوصيل بأي مواد موصلة للتيار.
(2) تجنب تخزين صندوق البطارية في حاوية بها أجسام معدنية أخرى مثل المسامير والعملات وما إلى ذلك.
(3) لا تعرض صندوق البطارية للماء أو المطر.
قد يتسبب إحداث دائرة قصر في البطارية في تدفق كمية كبيرة من التيار وزيادة السخونة وحروق محتملة، بل والتعطيل أيضاً.
6. لا تخزن الآداة وصندوق البطارية ولا تستخدمهما في الأماكن التي قد تبلغ درجة الحرارة فيها 50 °C (122 °F) أو تزيد عنها.
7. لا تحرق صندوق البطارية حتى في حالة تعرضه لتلف شديد أو تأكله تماماً. فقد يتفقد صندوق البطارية ويتسبب في حدوث حريق.
8. لا تقم بتعبئ صندوق البطارية أو قطعه أو كسره أو قذفه أو إسقاطه أو الطرق بجسم صلب على صندوق البطارية. فقد يؤدي القيام بذلك إلى نشوب حريق أو تولد حرارة زائدة أو حدوث انفجار.
9. لا تستخدم بطارية تالفة.
10. تخضع بطاريات أيون الليثيوم المرفقة لمتطلبات التشريع الخاصة بالصناعات الخطرة.

فيما يتعلق بعمليات النقل التجارية، كالتي تجريها الجهات الخارجية أو وكلاء الشحن، يجب الالتزام بمتطلبات خاصة بالتغليف والتصنيف. تجنب استشارة خبير بالمواد الخطرة حال التحضير لشحن أي منها. يرجى كذلك مراعاة اللوائح المحلية التي قد تكون أكثر تفصيلاً. قم بتثبيت الوصلات المفتوحة وتغطيتها وتغليف البطارية بطريقة لا تسمح لها بالحركة داخل العبوة.

11. عند التخلص من صندوق البطارية، قم بإزالته من الآداة وتخلص منه في مكان آمن. اتبع القوانين المحلية المتعلقة بالتخلص من البطارية.
12. لا تستخدم سوى البطاريات المرفقة مع المنتجات التي تحدها Makita. فتركيب البطاريات بمنتجات غير متوافقة ربما يؤدي إلى نشوب حريق أو توليد حرارة زائدة أو حدوث انفجار أو تسريب الإلكترونيات.
13. في حالة عدم استخدام هذه الآداة لفترة زمنية طويلة، ينبغي إزالة البطارية منها.
14. أثناء الاستخدام وبعده، قد يتعرض صندوق البطارية للحرارة، الأمر الذي قد يؤدي إلى الإصابة بحروق أو حروق منخفضة الحرارة. توخ الحذر عند التعامل مع صندوق البطارية.
15. لا تلمس طرف الآداة عقب استخدامها؛ فربما تكون ساخنة بدرجة تؤدي إلى الإصابة بحروق.
16. لا تسمح بوصول للشظايا أو الغبار أو الأتربة الملتصقة بالأطراف والثقوب والتجاويف إلى صندوق البطارية. فقد يؤدي ذلك إلى ضعف الأداء أو تعطل الآداة أو صندوق البطارية.
17. إذا كانت الآداة لا تدعم الاستخدام بالقرب من خطوط الكهرباء ذات الفولطية العالية، فلا تستخدم صندوق البطارية بالقرب منها. فقد يؤدي ذلك إلى حدوث عطل أو تلف بالآداة أو صندوق البطارية.
18. احتفظ بالبطارية بعيداً عن متناول الأطفال.

احتفظ بهذه الإرشادات.

تنبيه: لا تستخدم سوى بطاريات Makita الأصلية؛ حيث أن استخدام بطاريات غير أصلية أو بطاريات معذلة قد ينتج عنه انفجار يتسبب في اندلاع حرائق وإصابات شخصية وتلف. وسيحول ذلك دون استفادتك من ضمان Makita الخاص بالأدوات والشواحن.

نصائح للحصول على أطول فترة تشغيل ممكنة للبطارية

1. اشحن صندوق البطارية قبل نفاذ شحنها تماماً. وأوقف دائماً تشغيل الآداة واشحن صندوق البطارية عند ملاحظة انخفاض طاقة الآداة.
2. تجنب إعادة شحن بطارية مشحونة تماماً. فقد يؤدي الشحن الزائد إلى تقصير فترة تشغيل البطارية.

المواصفات

الطرز	TD00000111 حامل بطاريات لصندوق بطارية LXT	TD00000110 حامل بطاريات لصندوق بطارية CXT
الجهد الكهربائي المقدر	D.C. 14.4 V D.C. 18 V	D.C. 10.8 V - 12 V يحد أقصى
صندوق البطارية	BL1460B / BL1440 / BL1430B / BL1415N / BL1830B / BL1830 / BL1820B / BL1815N BL1860B / BL1850B / BL1840B	BL1041B / BL1021B / BL1016
منفذ مصدر طاقة USB	A النوع ، 2.4 A ، D.C. 5 V	
الأبعاد (الطول × العرض × الارتفاع)	39 mm x 78 mm x 100 mm	33 mm x 61 mm x 88 mm
الوزن الصافي	0.14 kg	0.09 kg

• بعض صناديق البطاريات المذكورة أعلاه ربما لا تكون متوفرة بناءً على المنطقة التي تقيم بها.

تحذير: لا تستخدم الإصدايق البطارية المذكورة أعلاه. فقد يؤدي استخدام أي صناديق بطارية أخرى إلى وقوع إصابة و/أو نشوب حريق.

الرموز

فيما يلي بعض الرموز المستخدمة مع المنتج. احرص على فهم معناها قبل الاستخدام.

اقرأ دليل الإرشادات.



- لا تقم بتوصيل مصدر الطاقة بمنفذ USB؛ فمِنفذ USB مُصمَّم فقط لتشحن الأجهزة منخفضة الجهد. واحرص دائماً على تغطية منفذ USB عند عدم شحن جهاز منخفض الجهد؛ فعدم الالتزام بذلك قد يؤدي إلى خطر اندلاع حريق.
- لا تقم بإعادة الشحن إلا باستخدام الشاحن الذي حددته شركة التصنيع؛ فقد يؤدي استخدام شاحن مناسب لنوع معين من البطاريات مع بطارية أخرى إلى خطر نشوب الحريق.
- لا تستخدم الأجهزة إلا مع حزم البطاريات المصنعة لها خصيصاً؛ فقد يؤدي استخدام حزم بطاريات أخرى إلى خطر وقوع إصابة أو نشوب حريق.
- عند عدم استخدام حزمة البطارية، احتفظ بها بعيداً عن باقي الأجسام المعدنية مثل مشابك الورق أو العملات أو المفاتيح أو المسامير أو البراغي أو أي أجسام معدنية صغيرة أخرى قد تنشئ وصلة من طرف إلى آخر. قد يؤدي حدوث قصر في أطراف توصيل البطارية إلى الإصابة بالحروق أو نشوب حريق.
- قد يتدفق السائل من البطارية في حالة الاستعمال التصفي، وعندئذٍ تجنب ملامسته. إذا لامست هذا السائل دون قصد، فاشطف المنطقة المتأثرة بالماء. واطلب المساعدة الطبية أيضاً إذا لامس هذا السائل العينين. فقد يتسبب السائل المتسرب من البطارية في حدوث تهيج أو حروق.

- لا تستخدم البطارية أو الجهاز المطلوب استخدامه مع البطارية إذا كانا تالفين أو مغلين؛ فقد تُظهر البطارية أو الجهاز التالف أو المعدل سلوكاً غير متوقع ينتج عنه حريق أو انفجار أو التعرض لإصابة.
- لا تعرض حزمة البطارية لحريق أو حرارة مفرطة، حيث إن تعريض أي منهما لحريق أو درجة حرارة تزيد عن 130 درجة مئوية قد يتسبب في حدوث انفجار.
- اتبع جميع إرشادات الشحن ولا تشحن حزمة البطارية خارج نطاق درجة الحرارة المحدد في الإرشادات؛ فالشحن بطريقة غير مناسبة أو في درجات حرارة خارج النطاق المحدد قد يتسبب في تلف البطارية وزيادة خطر اندلاع حريق.
- ينبغي إجراء عملية الصيانة بمعرفة فني إصلاح مؤهل على ألا يكون ذلك إلا باستخدام قطع غيار أصلية مطابقة؛ فهذا يضمن الحفاظ على سلامة المنتج.
- لا تقم بتعديل/محاولة إصلاح الجهاز أو حزمة البطارية إلا وفقاً للإرشادات المبينة للاستخدام والتعليق.

إرشادات سلامة هامة خاصة بصندوق البطارية

- قبل استعمال صندوق البطارية، اقرأ جميع الإرشادات والرموز التحذيرية الموجودة على (1) شاحن البطارية و(2) البطارية و(3) المنتج الذي يعمل باستخدام البطارية.
- لا تفتح صندوق البطارية أو تعبت به. فقد يؤدي ذلك إلى نشوب حريق أو تولد حرارة زائدة أو حدوث انفجار.

تحذيرات السلامة

تحذير: قبل الاستخدام، احرص على قراءة دليل الإرشادات الخاص بمنتج Makita الذي سيتم استخدامه مع هذا الجهاز.

تحذير: لا تستخدم هذا الجهاز إلا مع المنتجات التي تحددها Makita؛ فقد يؤدي استخدام الجهاز مع منتجات غير متوافقة إلى نشوب حريق أو توليد حرارة زائدة أو انفجار أو تسرب إلكتروني.

السلامة من الكهرباء

- لا تُمسك السلك والبطارية بيدين مبلتين أو مبلتين بالشحم.
- لا تستخدم كبل USB تالفاً.
- لا تلمس استخدام السلك، لا تستخدم السلك للحمل أو السحب أو الفصل. أبعد سلك التيار عن الحرارة والزيت والحواف الحادة.
- لا تترك أي سلك مفصولاً أثناء الإمداد بطاقة البطارية؛ فقد يضع الأطفال الصغار قابلاً متصل بالتيار بأفواههم مما يتسبب في إصابتهم.
- لا تُدخّل مسامير أو أسلاكاً أو عناصر أخرى في منفذ مصدر طاقة USB؛ فقد يؤدي القيام بذلك إلى حدوث قصر في الدائرة مما يتسبب في تصاعد دخان أو نشوب حريق.

Makita Europe N.V. Jan-Baptist Vinkstraat 2,
3070 Kortenberg, Belgium

Makita Corporation 3-11-8, Sumiyoshi-cho,
Anjo, Aichi 446-8502 Japan

www.makita.com

DFJ312-Holder-
40L-2011
EN, PTBR, FR, DE,
IT, NL, ES, PT, DA,
EL, TR, SV, NO,
FI, LV, LT, ET, PL,
HU, SK, CS, SL,
SQ, BG, HR, MK,
SR, RO, UK, RU,
KK, ZHCN, ZHTW,
KO, ID, VI, TH, MS,
FA, AR
20210115