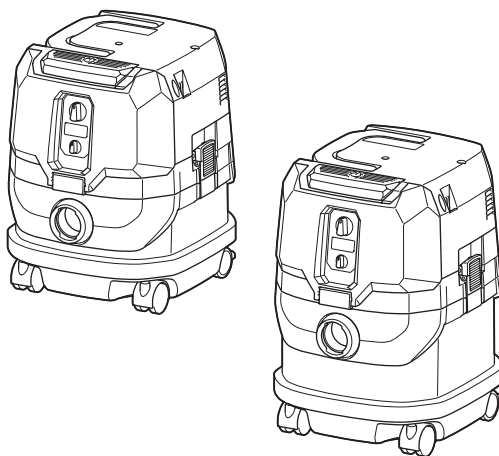




<b>EN</b>	<b>Cordless Vacuum Cleaner</b>	<b>INSTRUCTION MANUAL</b>	<b>8</b>
<b>FR</b>	<b>Aspirateur Sans Fil</b>	<b>MANUEL D'INSTRUCTIONS</b>	<b>18</b>
<b>DE</b>	<b>Akku-Staubsauger</b>	<b>BETRIEBSANLEITUNG</b>	<b>30</b>
<b>IT</b>	<b>Aspirapolvere a batteria</b>	<b>ISTRUZIONI PER L'USO</b>	<b>42</b>
<b>NL</b>	<b>Accustofzuiger</b>	<b>GEBRUIKSAANWIJZING</b>	<b>54</b>
<b>ES</b>	<b>Aspiradora Inalámbrica</b>	<b>MANUAL DE INSTRUCCIONES</b>	<b>66</b>
<b>PT</b>	<b>Aspirador de Pó a Bateria</b>	<b>MANUAL DE INSTRUÇÕES</b>	<b>78</b>
<b>EL</b>	<b>Φορητή σκούπα αναρρόφησης</b>	<b>ΕΓΧΕΙΡΙΔΙΟ ΟΔΗΓΙΩΝ</b>	<b>89</b>
<b>TR</b>	<b>Akülü Süpürge</b>	<b>KULLANMA KILAVUZU</b>	<b>101</b>

**VC001GL**  
**VC003GL**



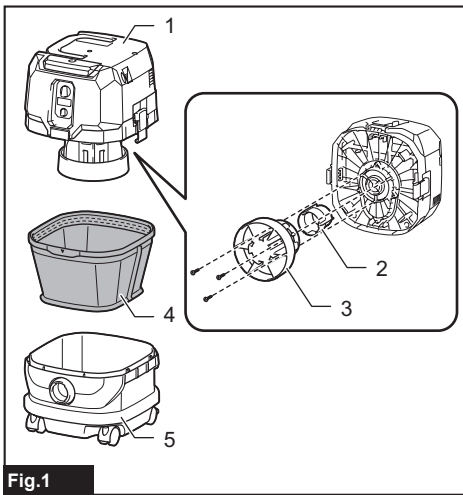


Fig.1

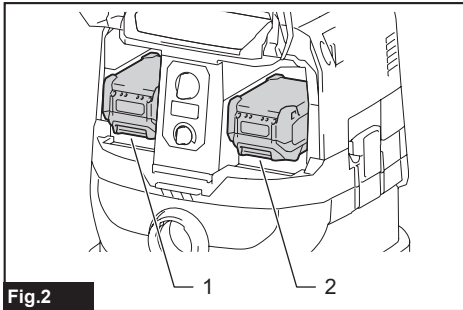


Fig.2

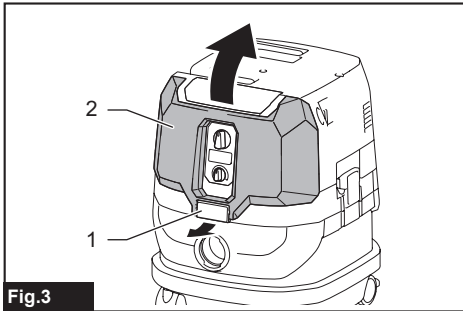


Fig.3

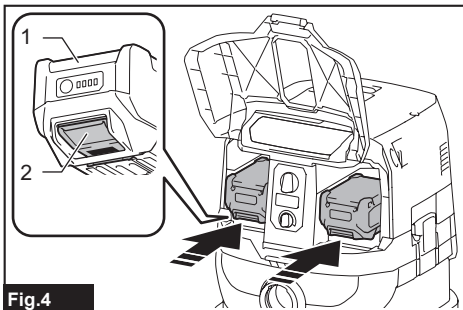


Fig.4

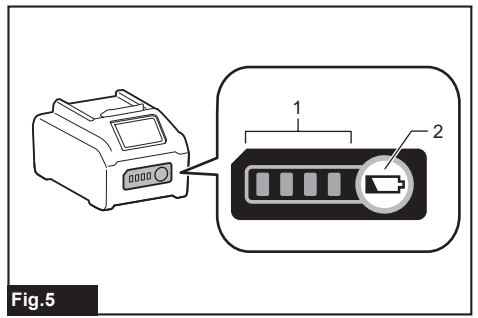


Fig.5

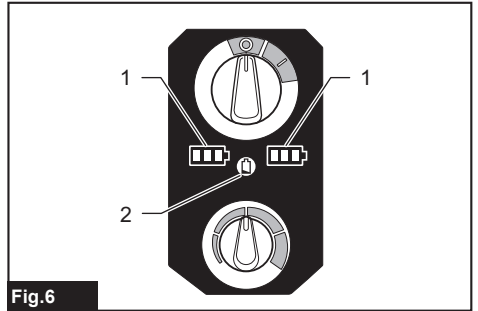


Fig.6

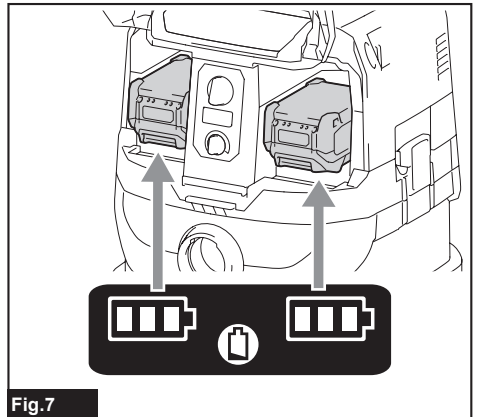


Fig.7

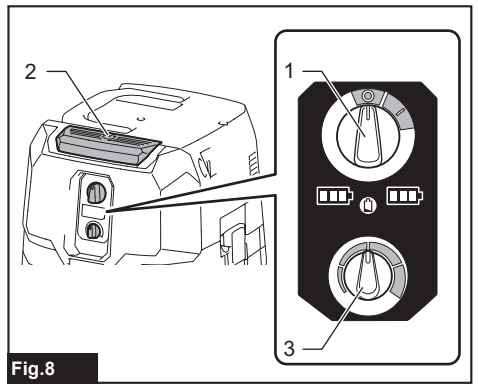
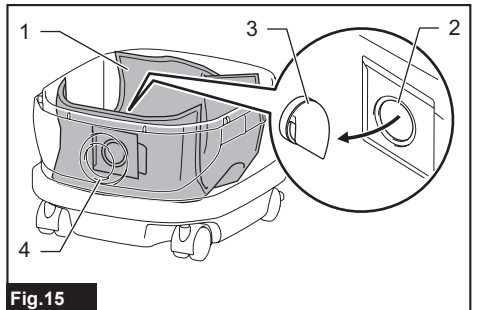
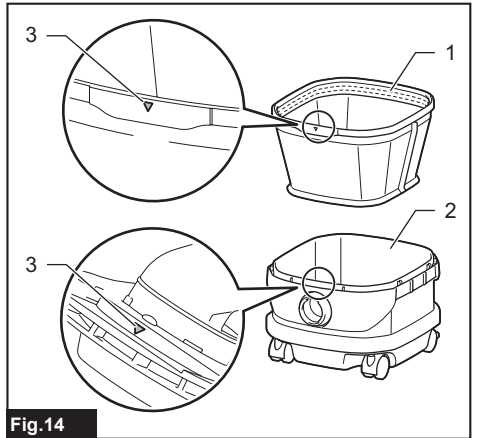
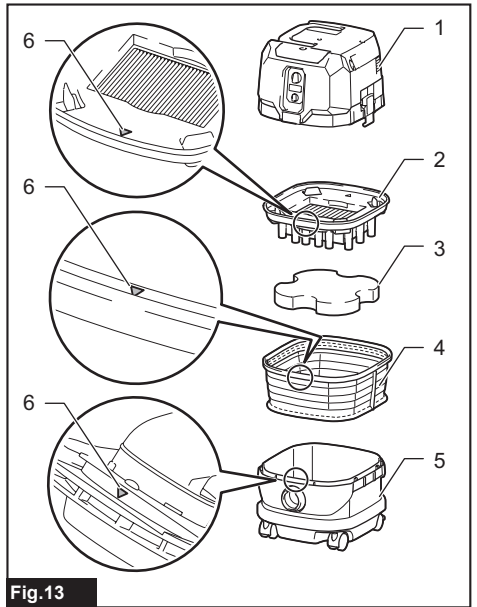
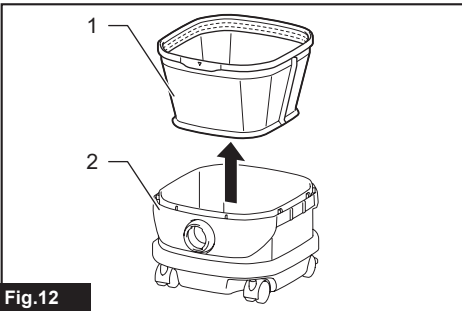
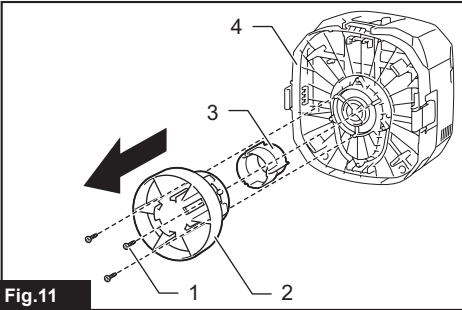
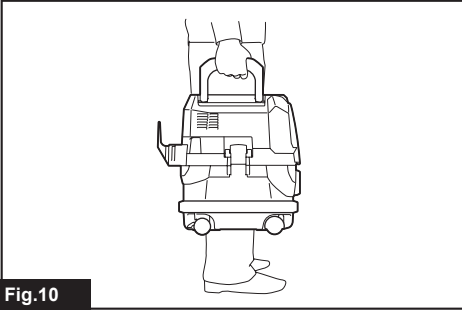
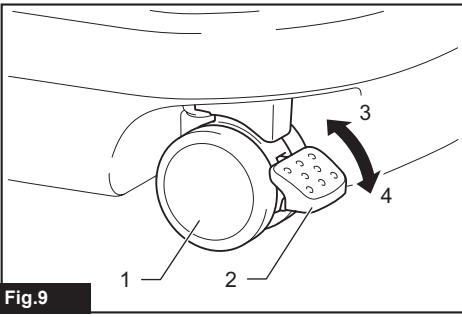


Fig.8



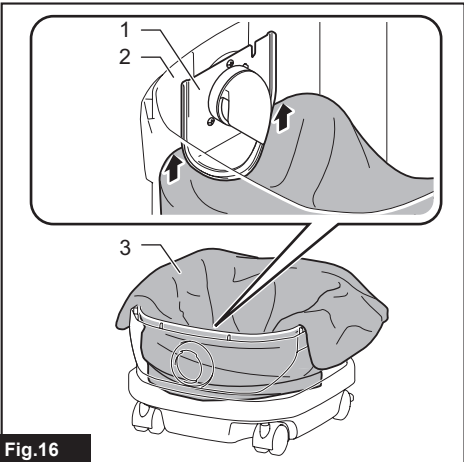


Fig.16

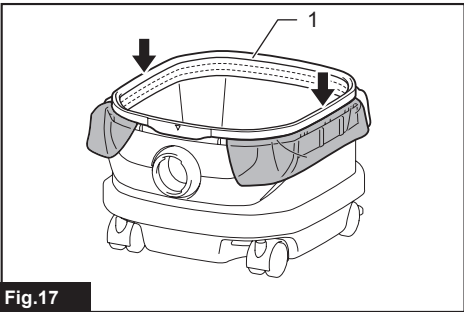


Fig.17

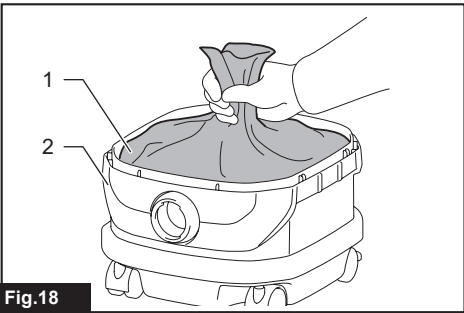


Fig.18

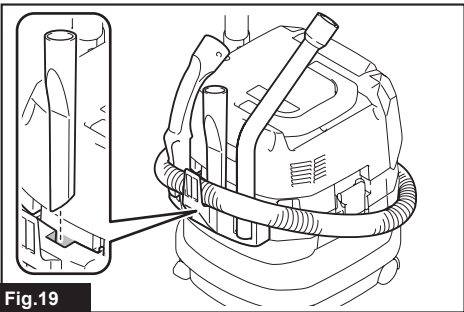


Fig.19

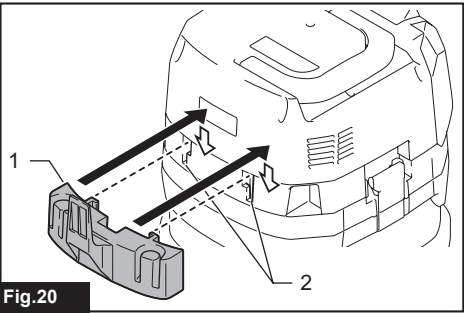


Fig.20

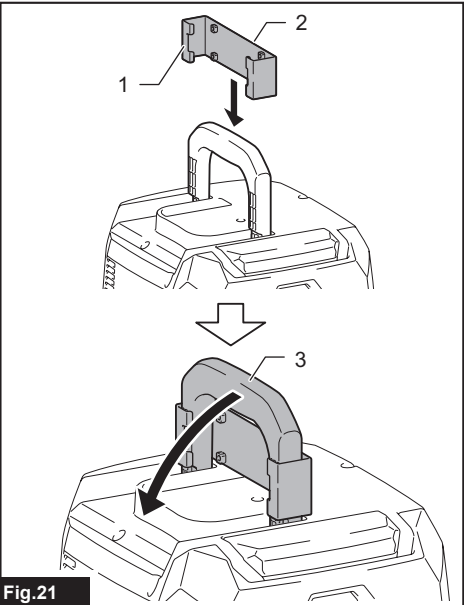


Fig.21

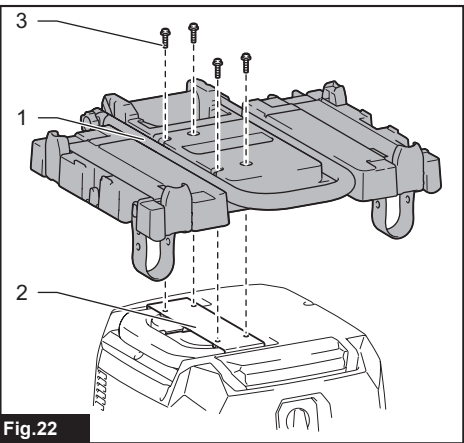


Fig.22

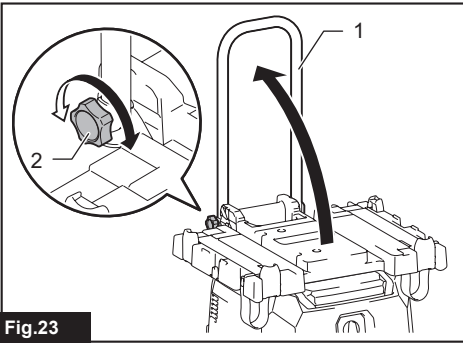


Fig.23

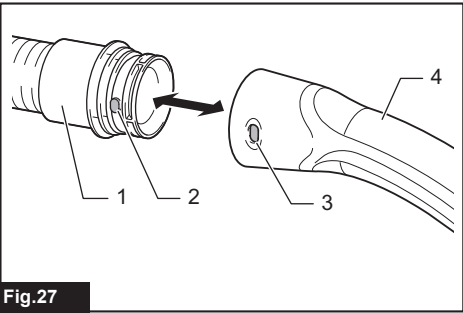


Fig.27

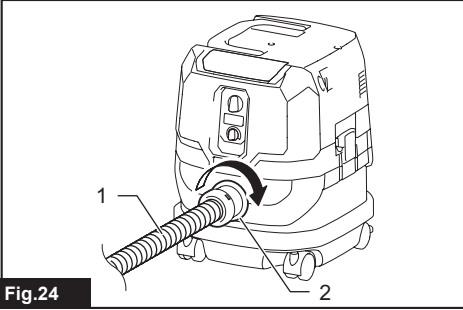


Fig.24

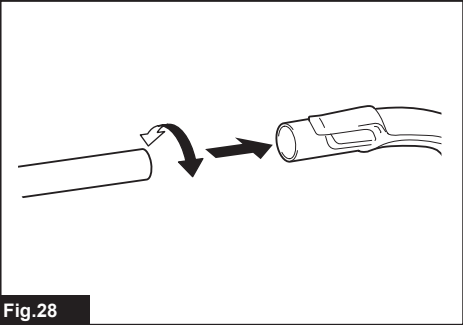


Fig.28

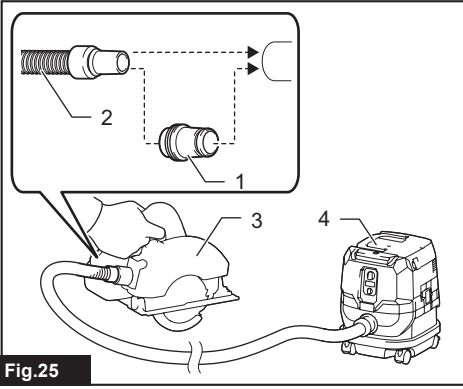


Fig.25

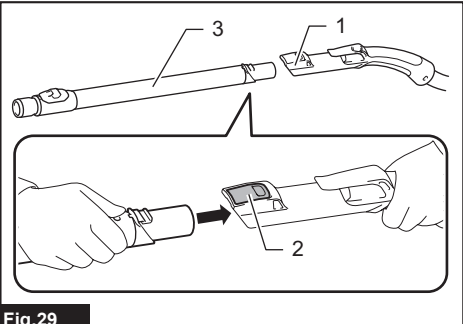


Fig.29

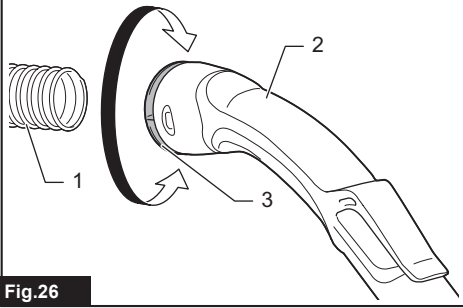


Fig.26

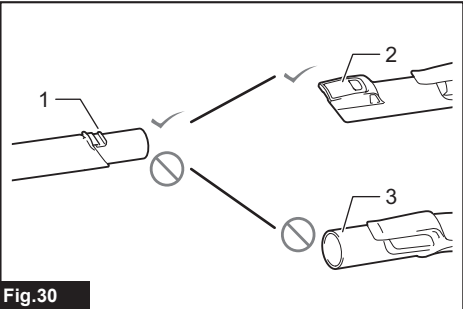


Fig.30

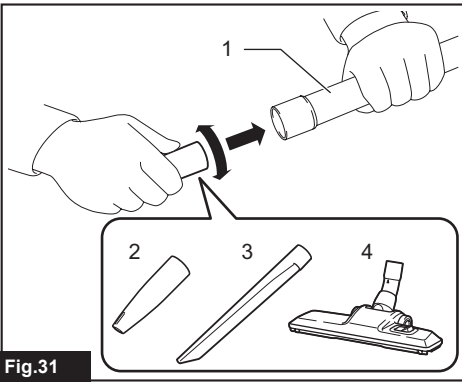


Fig. 31

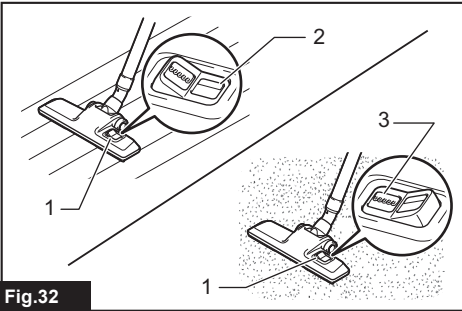


Fig. 32

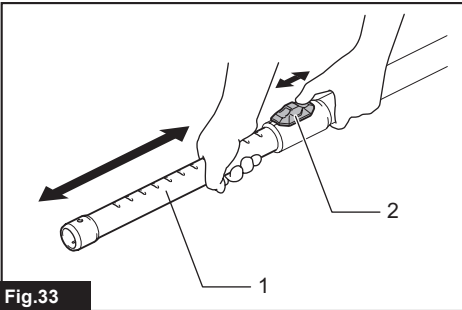


Fig. 33

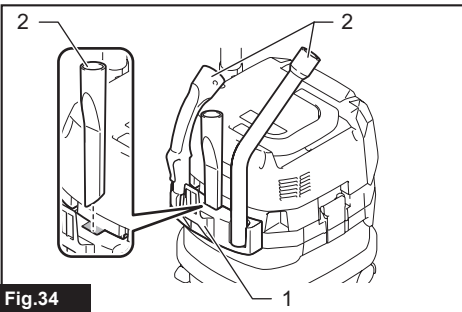


Fig. 34

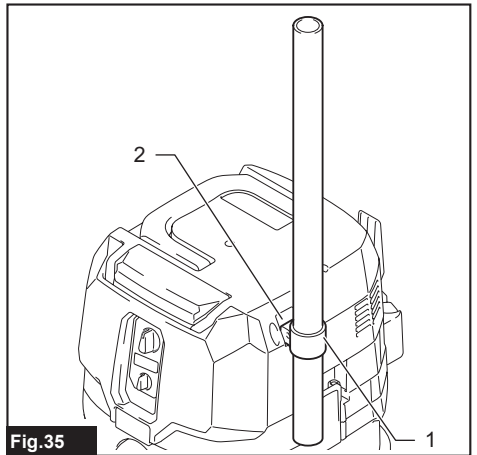


Fig. 35

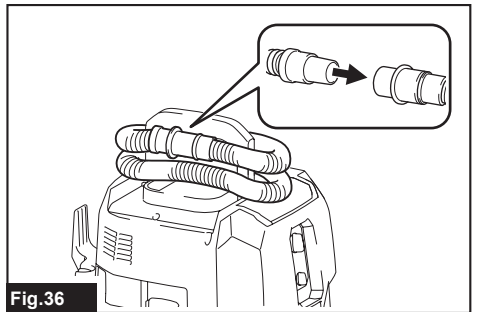


Fig. 36

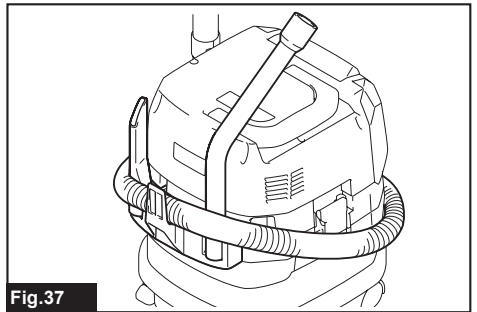


Fig. 37

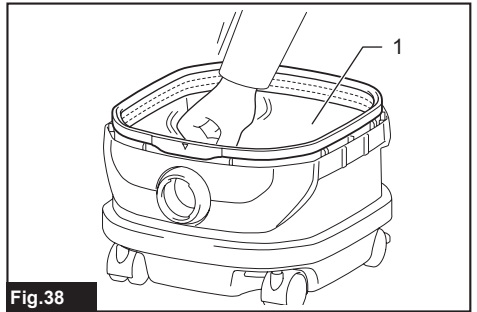


Fig. 38

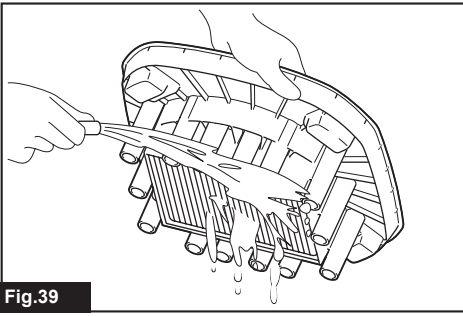


Fig.39

## WARNING

- This machine is not intended for use by persons including children with reduced physical, sensory or mental capabilities, or lack of experience and knowledge.
- Children should be supervised to ensure that they do not play with the cleaner.
- See the chapter "SPECIFICATIONS" for the type reference of the battery.
- See the section "Installing or removing battery cartridge" for how to remove or install the battery.
- When disposing the battery cartridge, remove it from the tool and dispose of it in a safe place. Follow your local regulations relating to disposal of battery.
- If the tool is not used for a long period of time, the battery must be removed from the tool.
- Do not short the battery cartridge.
- See the chapter "MAINTENANCE" for the appropriate details of precautions during user maintenance.

## SPECIFICATIONS

Model:		VC001GL	VC003GL
Standard filter type		Cloth filter (for dry and wet dust)	
Maximum air volume at the end of hose (with BL4040, ø32 mm x 1.7 m hose)		2.7 m <sup>3</sup> /min	
Maximum air volume at turbine (with BL4040)		4.2 m <sup>3</sup> /min	
Vacuum (with BL4040)		23 kPa	
Recoverable capacity	Dust	8 L	15 L
	Water	6 L	12 L
Dimensions (L x W x H)		366 mm x 334 mm x 425 mm	366 mm x 334 mm x 475 mm
Rated voltage		D.C. 36 V - 40 V max	
Net weight		8.1 - 11.2 kg	8.4 - 11.5 kg
Protection degree		IPX4	

- Due to our continuing program of research and development, the specifications herein are subject to change without notice.
- Specifications and battery cartridge may differ from country to country.
- The weight does not include accessories but battery cartridge(s). The lightest and heaviest combination weight of the appliance and battery cartridge(s) are shown in the table.
- For wet dust, the float and the water filter or cloth filter are required.

## Applicable battery cartridge and charger

Battery cartridge	BL4020 / BL4025 / BL4040* / BL4040F* / BL4050F* / BL4080F* * : Recommended battery
Charger	DC40RA / DC40RB / DC40RC / DC40WA

- Some of the battery cartridges and chargers listed above may not be available depending on your region of residence.

**⚠ WARNING: Only use the battery cartridges and chargers listed above.** Use of any other battery cartridges and chargers may cause injury and/or fire.

## Symbols

The followings show the symbols which may be used for the equipment. Be sure that you understand their meaning before use.



Read instruction manual.



Take particular care and attention.



Warning! The cleaner may contain hazardous dust.





Never stand on the cleaner.



Dust class L (light). The cleaners are capable of picking up dust class L. Follow your country's regulations relating to dusts and to occupational health and safety.



Only for EU countries  
Due to the presence of hazardous components in the equipment, waste electrical and electronic equipment, accumulators and batteries may have a negative impact on the environment and human health. Do not dispose of electrical and electronic appliances or batteries with household waste!  
In accordance with the European Directive on waste electrical and electronic equipment and on accumulators and batteries and waste accumulators and batteries, as well as their adaptation to national law, waste electrical equipment, batteries and accumulators should be stored separately and delivered to a separate collection point for municipal waste, operating in accordance with the regulations on environmental protection.  
This is indicated by the symbol of the crossed-out wheeled bin placed on the equipment.

## Intended use

The appliance is intended for collecting both wet and dry dust. The appliance is suitable for commercial use, for example in hotels, schools, hospitals, factories, shops, offices and rental businesses.

## Noise

The typical A-weighted noise level determined according to EN60335-2-69:

### Model VC001GL

Sound pressure level ( $L_{pA}$ ): 70 dB(A) or less  
Uncertainty (K): 2.5 dB (A)

### Model VC003GL

Sound pressure level ( $L_{pA}$ ): 70 dB(A) or less  
Uncertainty (K): 2.5 dB(A)

The noise level under working may exceed 80 dB (A).

**NOTE:** The declared noise emission value(s) has been measured in accordance with a standard test method and may be used for comparing one tool with another.

**NOTE:** The declared noise emission value(s) may also be used in a preliminary assessment of exposure.

**⚠ WARNING:** Wear ear protection.

**⚠ WARNING:** The noise emission during actual use of the power tool can differ from the declared value(s) depending on the ways in which the tool is used especially what kind of workpiece is processed.

**⚠ WARNING:** Be sure to identify safety measures to protect the operator that are based on an estimation of exposure in the actual conditions of use (taking account of all parts of the operating cycle such as the times when the tool is switched off and when it is running idle in addition to the trigger time).

## Vibration

The vibration total value (tri-axial vector sum) determined according to EN60335-2-69:

### Model VC001GL

Vibration emission ( $a_{h,M}$ ): 2.5  $m/s^2$  or less  
Uncertainty (K): 1.5  $m/s^2$

### Model VC003GL

Vibration emission ( $a_{h,M}$ ): 2.5  $m/s^2$  or less  
Uncertainty (K): 1.5  $m/s^2$

**NOTE:** The declared vibration total value(s) has been measured in accordance with a standard test method and may be used for comparing one tool with another.

**NOTE:** The declared vibration total value(s) may also be used in a preliminary assessment of exposure.

**⚠ WARNING:** The vibration emission during actual use of the power tool can differ from the declared value(s) depending on the ways in which the tool is used especially what kind of workpiece is processed.

**⚠ WARNING:** Be sure to identify safety measures to protect the operator that are based on an estimation of exposure in the actual conditions of use (taking account of all parts of the operating cycle such as the times when the tool is switched off and when it is running idle in addition to the trigger time).

## Declarations of Conformity

### For European countries only

The Declarations of conformity are included in Annex A to this instruction manual.

## SAFETY WARNINGS

### Cordless vacuum cleaner safety warnings

**⚠ WARNING:** IMPORTANT! READ CAREFULLY all safety warnings and all instructions BEFORE USE. Failure to follow the warnings and instructions may result in electric shock, fire and/or serious injury.

1. Before use, make sure that this cleaner must be used by people who have been adequately instructed on the use of this cleaner.
2. Before use, operators shall be provided with information, instruction and training for the use of the machine and the substances for which it is to be used, including the safe method of removal and disposal of the material collected.
3. If foam/liquid comes out, switch off immediately.
4. Clean the water level limiting device regularly and examine it for signs of damage.
5. Always make sure that filters are correctly installed before use. Do not use the cleaner without filters in place. Replace a damaged filter immediately. It is recommended to have some spares as filters are consumable items.
6. AVOID UNINTENTIONAL STARTING. Be sure switch is OFF when installing battery(ies).
7. Do not attempt to pick up flammable materials, fireworks, lighted cigarettes, hot ashes, hot metal chips, and sharp materials such as razors, needles, broken glass or the like.
8. NEVER USE THE CLEANER IN THE VICINITY OF GASOLINE, GAS, PAINT, ADHESIVES OR OTHER HIGHLY EXPLOSIVE SUBSTANCES. The switch emits sparks when turned ON and OFF. And so does the motor commutator during operation. A dangerous explosion may result.
9. Never vacuum up toxic, carcinogenic, combustible or other hazardous materials such as asbestos, arsenic, barium, beryllium, lead, pesticides, or other health endangering materials.
10. Always place the cleaner on a horizontal flat surface to prevent it from falling or moving unintentionally.
11. Never use the cleaner outdoors in the rain.
12. For Finland, this machine is not to be used outdoors at low temperature.
13. Do not use close to heat sources (stoves, etc.).
14. If the exhaust air is returned to the room, it is necessary to provide for an adequate air change rate in the room. Reference to National regulations is necessary.
15. Do not block suction inlet/outlet/cooling vents. These vents permit cooling of the motor. Blockage should be carefully avoided otherwise the motor will burn out due to a lack of ventilation.
16. Keep proper footing and balance at all times.
17. Do not fold, tug or step on the hose.
18. Stop the cleaner immediately if you notice poor performance or anything abnormal during operation.
19. REMOVE THE BATTERY(IES). When not in use, before servicing, and when changing accessories.
20. Clean and service the cleaner immediately after each use to keep it in tiptop operating condition.
21. MAINTAIN THE CLEANER WITH CARE. Keep the cleaner clean for better and safer performance. Follow instructions for changing accessories. Keep handles dry, clean, and free from oil and grease.
22. CHECK DAMAGED PARTS. Before further use of the cleaner, a guard or other part that is damaged should be carefully checked to determine that it will operate properly and perform its intended function. Check for alignment of moving parts, binding of moving parts, breakage of parts, mounting, and any other conditions that may affect its operation. A guard or other part that is damaged should be properly repaired or replaced by an authorized service center unless otherwise indicated elsewhere in this instruction manual. Have defective switches replaced by authorized service center. Don't use the cleaner if switch does not turn it on and off.
23. For user servicing, the machine shall be dismantled, cleaned and serviced, as far as is reasonably practicable, without causing risk to the maintenance staff and others.
24. The machine should be technically inspected by the manufacturer, or an instructed person, at least annually, consisting of, for example, inspection of filters for damage, air tightness of the machine and proper function of the control mechanism.
25. When carrying out service or repair operations, all contaminated items which cannot be satisfactorily cleaned are to be disposed of; such items shall be disposed of in impervious bags in accordance with any current regulation for the disposal of such waste.
26. REPLACEMENT PARTS. When servicing, use only identical replacement parts.
27. When not in use, always store the cleaner indoors.
28. Wet filters and the interior part of the liquid container shall be dried before storage.
29. Be kind to your cleaner. Rough handling can cause breakage of even the most sturdily built cleaner.
30. Do not attempt to clean the exterior or interior with benzine, thinner or cleaning chemicals. Cracks and discoloration may be caused.
31. Do not use cleaner in an enclosed space where flammable, explosive or toxic vapors are given off by oil-based paint, paint-thinner, gasoline, some mothproofing substances, etc., or in areas where flammable dust is present.
32. Do not operate the cleaner or any tool while under the influence of drugs or alcohol.
33. As a basic rule of safety, use safety goggles or safety glasses with side shields.
34. Use a dust mask in dusty work conditions.
35. This machine is not intended for use by persons including children with reduced physical, sensory or mental capabilities, or lack of experience and knowledge.
36. Children should be supervised to ensure that they do not play with the cleaner.
37. Never handle battery(ies) and cleaner with wet

hands.

38. Use extreme caution when cleaning on stairs.
39. Do not use the cleaner as a stool or work bench. The machine may fall down and may result in personal injury.

#### Battery tool use and care

1. **Recharge only with the charger specified by the manufacturer.** A charger that is suitable for one type of battery pack may create a risk of fire when used with another battery pack.
2. **Use power tools only with specifically designated battery packs.** Use of any other battery packs may create a risk of injury and fire.
3. **When battery pack is not in use, keep it away from other metal objects, like paper clips, coins, keys, nails, screws or other small metal objects, that can make a connection from one terminal to another.** Shorting the battery terminals together may cause burns or a fire.
4. **Under abusive conditions, liquid may be ejected from the battery; avoid contact. If contact accidentally occurs, flush with water. If liquid contacts eyes, additionally seek medical help.** Liquid ejected from the battery may cause irritation or burns.
5. **Do not use a battery pack or tool that is damaged or modified.** Damaged or modified batteries may exhibit unpredictable behaviour resulting in fire, explosion or risk of injury.
6. **Do not expose a battery pack or tool to fire or excessive temperature.** Exposure to fire or temperature above 130 °C may cause explosion.
7. **Follow all charging instructions and do not charge the battery pack or tool outside the temperature range specified in the instructions.** Charging improperly or at temperatures outside the specified range may damage the battery and increase the risk of fire.

## SAVE THESE INSTRUCTIONS.

**⚠ WARNING: DO NOT** let comfort or familiarity with product (gained from repeated use) replace strict adherence to safety rules for the subject product. **MISUSE** or failure to follow the safety rules stated in this instruction manual may cause serious personal injury.

### Important safety instructions for battery cartridge

1. Before using battery cartridge, read all instructions and cautionary markings on (1) battery charger, (2) battery, and (3) product using battery.
2. Do not disassemble or tamper with the battery cartridge. It may result in a fire, excessive heat, or explosion.
3. If operating time has become excessively shorter, stop operating immediately. It may result in a risk of overheating, possible burns and even an explosion.
4. If electrolyte gets into your eyes, rinse them out with clear water and seek medical attention

right away. It may result in loss of your eyesight.

5. **Do not short the battery cartridge:**
  - (1) Do not touch the terminals with any conductive material.
  - (2) Avoid storing battery cartridge in a container with other metal objects such as nails, coins, etc.
  - (3) Do not expose battery cartridge to water or rain.

A battery short can cause a large current flow, overheating, possible burns and even a breakdown.
6. Do not store and use the tool and battery cartridge in locations where the temperature may reach or exceed 50 °C (122 °F).
7. Do not incinerate the battery cartridge even if it is severely damaged or is completely worn out. The battery cartridge can explode in a fire.
8. Do not nail, cut, crush, throw, drop the battery cartridge, or hit against a hard object to the battery cartridge. Such conduct may result in a fire, excessive heat, or explosion.
9. Do not use a damaged battery.
10. The contained lithium-ion batteries are subject to the Dangerous Goods Legislation requirements.

For commercial transports e.g. by third parties, forwarding agents, special requirement on packaging and labeling must be observed.  
For preparation of the item being shipped, consulting an expert for hazardous material is required. Please also observe possibly more detailed national regulations.  
Tape or mask off open contacts and pack up the battery in such a manner that it cannot move around in the packaging.
11. When disposing the battery cartridge, remove it from the tool and dispose of it in a safe place. Follow your local regulations relating to disposal of battery.
12. Use the batteries only with the products specified by Makita. Installing the batteries to non-compliant products may result in a fire, excessive heat, explosion, or leak of electrolyte.
13. If the tool is not used for a long period of time, the battery must be removed from the tool.
14. During and after use, the battery cartridge may take on heat which can cause burns or low temperature burns. Pay attention to the handling of hot battery cartridges.
15. Do not touch the terminal of the tool immediately after use as it may get hot enough to cause burns.
16. Do not allow chips, dust, or soil stuck into the terminals, holes, and grooves of the battery cartridge. It may cause heating, catching fire, burst and malfunction of the tool or battery cartridge, resulting in burns or personal injury.
17. Unless the tool supports the use near high-voltage electrical power lines, do not use the battery cartridge near high-voltage electrical power lines. It may result in a malfunction or breakdown of the tool or battery cartridge.

18. Keep the battery away from children.

## SAVE THESE INSTRUCTIONS.

**⚠ CAUTION:** Only use genuine Makita batteries. Use of non-genuine Makita batteries, or batteries that have been altered, may result in the battery bursting causing fires, personal injury and damage. It will also void the Makita warranty for the Makita tool and charger.

## Tips for maintaining maximum battery life

1. Charge the battery cartridge before completely discharged. Always stop tool operation and charge the battery cartridge when you notice less tool power.
2. Never recharge a fully charged battery cartridge. Overcharging shortens the battery service life.
3. Charge the battery cartridge with room temperature at 10 °C - 40 °C (50 °F - 104 °F). Let a hot battery cartridge cool down before charging it.
4. When not using the battery cartridge, remove it from the tool or the charger.
5. Charge the battery cartridge if you do not use it for a long period (more than six months).

## PARTS DESCRIPTION

- Fig.1: 1. Head unit 2. Float 3. Float cage 4. Cloth filter 5. Tank

## FUNCTIONAL DESCRIPTION

**⚠ CAUTION:** Always be sure that the appliance is switched off and the battery cartridges are removed before adjusting or checking function on the appliance.

## Installing or removing battery cartridge

**⚠ CAUTION:** Always switch off the appliance before installing or removing battery cartridges.

**⚠ CAUTION:** Hold the cleaner and battery cartridges firmly when installing or removing battery cartridges. Failure to do so may cause them to slip off your hands, resulting in damage to the cleaner and battery cartridges or personal injury.

**⚠ CAUTION:** Be careful not to pinch your fingers when opening or closing the battery cover. Failure to do so may cause personal injury.

The cleaner has double battery slots. With two identical batteries in parallel, you can extend your running time

in one or more uses without having to stop to recharge batteries. The cleaner also works with a single battery, so you can choose with either double batteries or single battery according to your needs.

- Fig.2: 1. Left battery slot 2. Right battery slot

### With double batteries

Continuous drive with two batteries allows longer run-time and more efficient cleaning. When the first battery is becoming empty, the cleaner automatically switches a power source, so it continues working with the second battery.

**NOTE:** The left battery slot (when facing the front of the cleaner) has priority over the right battery slot. The right battery slot will only be identified as a power source, either when no battery is installed in the left battery slot or the battery in the left battery slot becomes empty.

**NOTE:** You can remove the battery from the left battery slot and recharge it after the cleaner has switched its power source from the left battery slot to the right without ceasing operation. To give priority back to the left battery slot after installing a recharged battery, restart the cleaner.

### With a single battery

Only one battery is required as a power source in either the left or right battery slot. The cleaner automatically determines which battery slot is available according to operating conditions.

### Installation and uninstallation

To install battery cartridges, release the lock first, and open the battery cover. Then insert the battery cartridges.

- Fig.3: 1. Lock 2. Battery cover

Align the tongues on the battery cartridges with the grooves in the battery housing and slip them into place. Insert them all the way until they lock in place with a little click.

Then lock the battery cover.

- Fig.4: 1. Battery cartridge 2. Button

To remove the battery cartridges, slide them out of the battery housing while pressing and holding the buttons in front of the cartridges.

**⚠ CAUTION:** Always install the battery cartridge fully. If not, it may accidentally fall out of the appliance, causing injury to you or someone around you.

**⚠ CAUTION:** Do not install the battery cartridge forcibly. If the cartridge does not slide in easily, it is not being inserted correctly.

**NOTE:** When the cleaner switches the power source from the first battery to the second, it may require a temporary halt in operations, causing a slight loss of suction. Please note that it is not malfunction so the cleaner recovers and resumes operations immediately after the pause.

## Indicating the remaining battery capacity

Press the check button on the battery cartridge to indicate the remaining battery capacity. The indicator lamps

light up for a few seconds.

► Fig.5: 1. Indicator lamps 2. Check button

Indicator lamps			Remaining capacity
Lighted	Off	Blinking	
			75% to 100%
			50% to 75%
			25% to 50%
			0% to 25%
			Charge the battery.
			The battery may have malfunctioned.

**NOTE:** Depending on the conditions of use and the ambient temperature, the indication may differ slightly from the actual capacity.

**NOTE:** The first (far left) indicator lamp will blink when the battery protection system works.

## Battery indicators on control panel

The remaining battery capacity can be read on the control panel at any time. Press the check button, and the left and right indicators will show the battery charge levels correspondingly.

► Fig.6: 1. Battery indicators 2. Check button

► Fig.7

Battery indicator status			Remaining battery capacity
On	Off	Blinking	
			50% to 100%
			20% to 50%
			0% to 20%
			Charge the battery
			Battery not inserted

**NOTE:** The battery indicators will also be activated when the cleaner starts functioning or switches its power source from one to another.

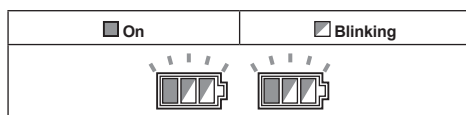
## Appliance / battery protection system

The appliance is equipped with an appliance/battery protection system. This system automatically cuts off power to the motor to extend appliance and battery life. The appliance will automatically stop during operation if the appliance or battery is placed under one of the following conditions:

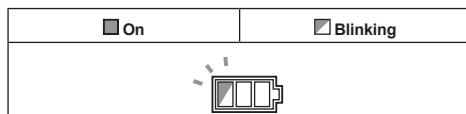
### Overload protection

When the appliance/battery is operated in a manner that causes it to draw an abnormally high current, the appliance automatically stops. In this situation, turn the appliance off and stop the application that caused the appliance to become overloaded. Then turn the appliance on to restart.

### Overheat protection



When the appliance is overheated, the appliance stops automatically, and both left and right battery indicators blink. In this situation, let the appliance cool down before turning the appliance on again.



When the battery is overheated, the appliance stops automatically, and one of the indicators for overheated battery blinks. In this situation, let the battery cool down before turning the appliance on again.

### Overdischarge protection

When the battery capacity becomes low, the appliance stops automatically. If the appliance does not run along with the switch operation, remove the batteries from the appliance and recharge them.

### Protections against other causes

Protection system is also designed for other causes that could damage the appliance and allows the appliance to stop automatically. Take all the following steps to clear the causes, when the appliance has been brought to a temporary halt or stop in operation.

1. Turn the appliance off, and then turn it on again to restart.
2. Charge the battery(ies) or replace it/them with recharged battery(ies).
3. Let the appliance and battery(ies) cool down.

If no improvement can be found by restoring protection system, then contact your local Makita Service Center.

## Switch action

### Turning cleaner on

1. Turn the stand-by switch in the "I" (ON) position to

- have the cleaner ready in stand-by mode.
2. Press the power button.  
To switch back to stand-by mode, press the power button again.

### Turning cleaner off

Perform one of the following steps.

- Press the power button to set the cleaner back in stand-by mode, and then turn the stand-by switch in the "O" (OFF) position.
- Turn the stand-by switch in the "O" (OFF) position.

### Adjusting suction power

The suction power can be adjusted according to your work needs.

- Turn the suction force adjusting knob to the left to reduce the suction power.
- Turn the suction force adjusting knob to the right to increase the suction power.

► **Fig.8:** 1. Stand-by switch 2. Power button 3. Suction force adjusting knob

## Auto-suction stop during wet suction operation

**⚠ WARNING:** Do not use for a long time while the float is at work. Using the cleaner with its float at work for a long time can cause overheat, resulting in the cleaner deformation.

**⚠ WARNING:** Do not pick up foam or soapy liquid. It can cause foam to come out of air exit before the float works. Continuous use under such conditions may cause an electric shock and breakage of the cleaner.

The auto-suction stop feature works only while the cleaner is used with the float and float cage. The cleaner has a float mechanism that prevents water from entering into the motor when picking up more than a certain amount of water. When the tank is full and the cleaner no longer picks up water, switch off the cleaner and empty the tank.

## Locking and unlocking casters

Rear casters can be locked with stoppers to help the cleaner stand still. Lower the stopper lever by hand to lock the caster, and raise it up to release.

► **Fig.9:** 1. Caster 2. Stopper lever 3. Unlocked position 4. Locked position

**NOTE:** When moving the cleaner, make sure that the caster is unlocked. Moving the cleaner with the caster in a locked position may cause damage to the caster.

## Carriage handle

**⚠ CAUTION:** Lift and carry the appliance with due care. Failing to do so may result in personal injury or damage to the appliance.

When carrying the cleaner, carry it by holding the handle on the head unit. The handle is retractable on the head unit when not in use.

► **Fig.10**

## ASSEMBLY

**⚠ CAUTION:** Always be sure that the appliance is switched off and the battery cartridges are removed before carrying out any work on the appliance.

**⚠ CAUTION:** Always wear dust mask during assembly or maintenance.

## Installing powder filter (HEPA) and prefilter (for dry dust)

### Optional accessory

**⚠ CAUTION:** Never pick up water or other liquids or wet dusts when using the powder filter. Picking up such things may cause the powder filter breakage.

To use powder filter:

1. Loosen the screws securing the float cage, and then remove the screws, float cage and float from the head unit.

► **Fig.11:** 1. Screw 2. Float cage 3. Float 4. Head unit

2. Remove the cloth filter out of the tank.

► **Fig.12:** 1. Cloth filter 2. Tank

3. Place the prefilter into the tank aligning the mounting position markings on the prefilter and tank.

4. Set the damper into the prefilter, and then place the powder filter over the damper aligning the mounting position markings on the powder filter and prefilter.

5. Mount the head unit over the tank and secure them with the locking latches.

► **Fig.13:** 1. Head unit 2. Powder filter (HEPA) 3. Damper 4. Prefilter 5. Tank 6. Mounting position marking

**NOTICE:** Before using the powder filter, make sure that prefilter and damper are used together. It is not allowed to install powder filter alone.

## Installing water filter

### Optional accessory

**NOTICE:** Never pick up water or wet dust without the float and the cloth filter or the water filter.

**NOTICE:** For picking up wet dust, make sure that the float cage and the float are installed on the cleaner.

**NOTICE:** When installing the water filter on the tank, set it tight at the opening of the tank so that the hook of the water filter engages the tank opening firmly and there is no space between the water filter and the tank.

To pick up water or wet dust only, the water filter is more suitable than the cloth filter.

When installing the water filter, align its mounting position marking with the one on the tank.

► **Fig.14:** 1. Water filter 2. Tank 3. Mounting position

**NOTE:** It is recommended using water filter when picking up large amount of water repeatedly. Otherwise vacuum ability may be reduced in case of cloth filter.

## Installing paper pack

### Optional accessory

**⚠ WARNING:** Before using a paper pack, make sure that the cloth filter or prefilter is used together. Failure to use the cloth filter / prefilter together may cause unusual noise and heat, resulting in a fire.

**NOTICE:** Never pick up water or other liquids or wet dusts when using a paper pack. Picking up such things may cause the paper pack breakage.

**NOTICE:** When using the cloth filter, make sure that the float and the float cage are attached on the head unit.

**NOTICE:** When using the prefilter, make sure that the powder filter and the damper are used together.

1. Unfold a paper pack.
  2. Align the paper pack opening with the dust intake of the tank.
  3. Install the paper pack into the tank with its cardboard opening hooked on the paper pack holder.
- **Fig.15:** 1. Paper pack 2. Cardboard opening 3. Paper pack holder 4. Dust intake

## Installing polyethylene bag

With a polyethylene bag installed in the tank, you can easily empty the tank without letting your hands dirty.

Lay a polyethylene bag over the tank, and slip one side of the top edge of the bag at its open end in between the holder plate and the front wall of the tank.

- **Fig.16:** 1. Holder plate 2. Front wall of tank 3. Polyethylene bag

Spread the other top edges of the bag outwards over the top rims of the tank. Place the cloth filter or prefilter over the polyethylene bag to fasten the opening of the bag securely.

- **Fig.17:** 1. Cloth filter / prefilter

**NOTE:** A polyethylene bag available on the market can be used. 0.04 mm or thicker one is recommended.

**NOTE:** Too much dust will tear the bag easily, so do not collect the dust more than the half of the bag capacity.

## Emptying tank with polyethylene bag

**⚠ WARNING:** Always make sure that the cleaner is switched off and the battery cartridges are removed before emptying the tank. Failure to do so may cause an electric shock and serious personal injury.

**NOTICE:** Do not apply a great impact on the float cage and tank. Applying a great impact may cause deformation and damage to the parts.

**NOTICE:** Empty the tank at least once a day although this depends on picked-up dust volume in the tank. Or, the suction force will weaken and the motor may be broken.

**NOTICE:** Do not grab the hooks or latches when emptying the tank. Grabbing the hooks or latches may cause them to break.

Release the locking latches and lift the head unit up off the tank.

Shake off dust from the cloth filter or prefilter before lifting the filter away from the tank.

Then remove the polyethylene bag out of the tank, closing the opening of the bag by hand.

- **Fig.18:** 1. Polyethylene bag 2. Tank

**NOTE:** Take the polyethylene bag out of the tank carefully to avoid it from being scratched and torn by the edges inside the tank.

**NOTE:** Empty the polyethylene bag before it becomes full. Too much dust in the tank may cause the polyethylene bag to be torn.

## Installing multi hook

Use the multi hook to hold a hose, accessories and attachments not in use in place, and you can quickly take them out according to your preferences.

- **Fig.19**

Place the multi hook over the mounting base at the rear of the cleaner, setting the rails on the multi hook along the grooves on the mounting base.

- **Fig.20:** 1. Multi hook 2. Mounting base

## Installing MAKPAC adapter

### Optional accessory

Connectable and stackable MAKPAC storage cases can be installed on top of the cleaner with an optional adapter. The cases are available in many sizes and styles to suit your preferences.

Place the mounting base hook over the handle of the cleaner with its mounting surface facing upwards when the handle is folded into the closed position.

- **Fig.21:** 1. Mounting base hook 2. Mounting surface 3. Handle

Mount the MAKPAC adapter onto the mounting base hook, and secure them together with four screws provided.

- **Fig.22:** 1. MAKPAC adapter 2. Mounting base hook

### 3. Screw

Lift the push bar up and tighten the knob to prepare installing the MAKPAC cases onto the cleaner.

► **Fig.23:** 1. Push bar 2. Knob

**NOTE:** For details on installing the MAKPAC cases, refer to the instructions provided with the MAKPAC adapter and cases.

## Installing hose

**NOTICE:** Never force the hose for bending or stamp it. Never move the cleaner by pulling the hose. Forcing, stamping and pulling the hose may cause a breakage or deformation of the hose.

**NOTICE:** When picking up large wastes such as planer carvings, concrete dusts or similar other than small wastes, use the 38 mm inner diameter hose (optional accessory). Using the 28 mm inner diameter hose (optional accessory) may cause a hose stuffing and damage.

### Connection to cleaner

Insert the hose end to the dust intake (hose inlet) of the cleaner, then turn it clockwise until it locks in place.

► **Fig.24:** 1. Hose 2. Dust intake (hose inlet)

### Connections with your work tools (Country specific)

By connecting the vacuum cleaner to any available work tools compatible with the cleaner, it works as a dust extractor for your power tools.

To connect a tool to the cleaner, the dedicated hose and/or additional parts are required. Depending on your cleaner model, you need to replace the hose and/or prepare additional parts.

Select one of the front cuffs or joints (optional accessories) as most suitable for your tool model. Place the cuffs or joint, as necessary, between the front end of the cleaner hose and a dust extraction port of your tool.

► **Fig.25:** 1. Front cuffs or joint 2. Cleaner hose  
3. Power tool 4. Vacuum cleaner

## Installing or removing cleaner attachments

**CAUTION:** After installing an attachment, check if it is securely installed. If the attachment is installed imperfectly, it may come off and cause personal injury.

## Attaching bent pipe assembly

### Optional accessory

**NOTE:** You don't need to perform this procedure if your model comes with the bent pipe assembly attached to the hose.

The bent pipe assembly is used for connecting the extension wand or nozzle for vacuum cleaning to this product.

If you want to use this product as the vacuum cleaner, attach the bent pipe assembly to the hose.

### For the screw-in type bent pipe assembly

To attach, unscrew the front cuff from the hose and fasten the sleeve of bent pipe assembly onto the hose. To remove, loosen the sleeve of bent pipe assembly from the hose.

► **Fig.26:** 1. Hose 2. Bent pipe assembly 3. Sleeve

### For the snap-on type bent pipe assembly

To attach, insert the hose end into the bent pipe assembly. Make sure that the tabs on the hose end snap into the holes on the bent pipe assembly.

To remove, pull the bent pipe assembly while pressing both of the tabs on the hose end.

► **Fig.27:** 1. Hose end 2. Tab 3. Hole 4. Bent pipe assembly

## Attachments without lock function

### Optional accessory

Insert an attachment into the suction inlet of the cleaner by pushing and hand screwing it in place.

Hand twist and pull the attachment apart from the suction inlet after use.

► **Fig.28**

## Attachments with lock function

### Optional accessory

**NOTICE:** When installing the attachment with lock function, be sure to align the release button with the hook on the attachment. If they are not aligned, the attachment will not be locked and may come off from the cleaner.

Insert an attachment into the suction inlet of the cleaner by pushing them together with a click.

To remove the attachment, pull it off while pushing the release button.

► **Fig.29:** 1. Suction inlet with lock function 2. Release button 3. Attachment with lock function

**NOTE:** An attachment with lock function can only be installed in the suction inlet with lock function.

► **Fig.30:** 1. Attachment with lock function 2. Suction inlet with lock function 3. Suction inlet without lock function

## Assembling nozzle and wand

### Optional accessory

**NOTE:** The type of the nozzle and wand included in the product varies depending on countries. In some countries, the nozzle and wand are not included.

Twist and insert the nozzle to the extension wand.

► **Fig.31:** 1. Extension wand 2. Flexible rubber nozzle 3. Corner nozzle 4. T-shape nozzle

**NOTE:** By twisting the nozzle while inserting, the nozzle can be attached to the extension wand securely.

**NOTE:** For the model with  $\varnothing 38$  mm hose and front cuff 38, attach the supplied nozzle to the aluminum bending pipe / aluminum straight pipe.

When using floor/carpet switching t-nozzle, you can change the mode depending on the place.



- Floor mode: suitable for a smooth place such as a hard floor
- Carpet mode: suitable for a shaggy place such as a carpet or a rug

► **Fig.32:** 1. Mode switching button 2. Floor mode  
3. Carpet mode

## Adjusting lengths of slide-type extension wand

### Optional accessory

A slide-type extension wand can be combined for shorter and longer lengths. It allows to clean hard-to-reach areas and comfortable positioning options.

Pull in and out the slide pipe to change wand lengths while pressing and holding the slide button.

Release the slide button to lock the slide pipe in your desired position.

► **Fig.33:** 1. Slide pipe 2. Slide button

## MAINTENANCE

**⚠ CAUTION:** Always be sure that the appliance is switched off and the battery cartridges are removed before attempting to perform inspection or maintenance.

**NOTICE:** Never use gasoline, benzine, thinner, alcohol or the like. Discoloration, deformation or cracks may result.

To maintain product SAFETY and RELIABILITY, repairs, any other maintenance or adjustment should be performed by Makita Authorized or Factory Service Centers, always using Makita replacement parts.

## Storage of accessories

Accessories and attachments not in use, such as nozzles and brushes, can be hooked and stored in the multi hook at the rear of the cleaner.

► **Fig.34:** 1. Multi hook 2. Accessories and attachments not in use

Pipes (with an optional stopper installed) can be placed into the pipe holder when not using the cleaner for a short time.

► **Fig.35:** 1. Stopper (optional accessory) 2. Pipe holder

A hose can be wrapped and stored around the housing or handle of the cleaner in large loops. Connect its both ends together to make loops and hook the loops onto the handle raised up. Alternatively, keep its root end installed in the hose inlet and hang the loops on the multi hook with the loose end tied up.

► **Fig.36**

► **Fig.37**

## Cleaning of cloth filter

Clean out the cloth filter at regular intervals since clogged cloth filter may result in poor suction

performance.

Wipe and shake dust off the cloth filter by hand on occasions.

► **Fig.38:** 1. Cloth filter

## Cleaning of powder filter (HEPA) and prefilter

### Optional accessory

Clean out the powder filter, prefilter and damper at regular intervals since clogged filters and damper may result in poor suction performance.

Routinely wipe and shake dust off filters and damper by hand.

Occasionally wash the powder filter in water, rinse and dry thoroughly in the shade before use. Never wash filters in a washing machine.

► **Fig.39**

**NOTE:** Do not rub or scratch the powder filter, the prefilter and the damper with hard objects such as a brush and a paddle.

**NOTE:** The filters wear out in course of time. It is recommended to have some spares for them.

## OPTIONAL ACCESSORIES

**⚠ CAUTION:** These accessories or attachments are recommended for use with your Makita tool specified in this manual. The use of any other accessories or attachments might present a risk of injury to persons. Only use accessory or attachment for its stated purpose.

Some accessories may not be installed according to the combination of parts.

If you need any assistance for more details regarding these accessories, ask your local Makita Service Center.

- Hose
- Front cuffs (22, 24, 38)
- Straight pipe
- Extension wand
- Corner nozzle
- Round brush
- Powder filter, HEPA (for dry dust)
- Damper
- Prefilter
- Water filter
- Cloth filter
- T-shape nozzle
- Bent pipe
- Polyethylene bag
- Paper pack
- MAKPAC adapter
- Makita genuine battery and charger

**NOTE:** Some items in the list may be included in the tool package as standard accessories. They may differ from country to country.

## AVERTISSEMENT

- Cette machine n'est pas destinée à être utilisée par des personnes (y compris les enfants) aux facultés physiques, sensorielles ou mentales diminuées ou sans expérience ni expertise.
- Les enfants doivent être sous la surveillance d'un adulte afin de s'assurer qu'ils ne jouent pas avec l'aspirateur.
- Voir le chapitre « SPÉCIFICATIONS » pour la désignation de la batterie.
- Voir la section « Insertion ou retrait de la batterie » pour la méthode de retrait ou d'insertion de la batterie.
- Une fois la batterie arrivée en fin de vie, retirez-la de l'outil et déposez-la en lieu sûr. Respectez la réglementation locale en matière de mise au rebut des batteries.
- Lorsque vous n'utilisez pas l'outil pendant une période prolongée, la batterie doit être retirée de l'outil.
- Ne court-circuitez pas la batterie.
- Voir le chapitre « ENTRETIEN » pour des précautions détaillées pendant l'entretien à la charge de l'utilisateur.

## SPÉCIFICATIONS

Modèle :		VC001GL	VC003GL
Type de filtre standard		Filtre en tissu (pour les poussières sèches et humides)	
Volume d'air maximum à l'extrémité du tuyau (avec BL4040, un tuyau de ø32 mm x 1,7 m)		2,7 m <sup>3</sup> /min	
Volume d'air maximum sur la turbine (avec BL4040)		4,2 m <sup>3</sup> /min	
Vide (avec BL4040)		23 kPa	
Capacité de récupération	Poussière	8 L	15 L
	Eau	6 L	12 L
Dimensions (L x P x H)		366 mm x 334 mm x 425 mm	366 mm x 334 mm x 475 mm
Tension nominale		C.C. 36 V - 40 V max.	
Poids net		8,1 - 11,2 kg	8,4 - 11,5 kg
Degré de protection		IPX4	

- Étant donné l'évolution constante de notre programme de recherche et de développement, les spécifications contenues dans ce manuel sont sujettes à modification sans préavis.
- Les spécifications et la batterie peuvent être différentes suivant les pays.
- Le poids ne comprend pas les accessoires, mais la ou les batteries. Le poids combiné le plus léger et le plus lourd de l'appareil et de la ou des batteries est indiqué dans le tableau.
- Pour la poussière humide, le flotteur et le filtre à eau ou le filtre en tissu sont nécessaires.

## Batterie et chargeur applicables

Batterie	BL4020 / BL4025 / BL4040* / BL4040F* / BL4050F* / BL4080F* * : Batterie recommandée
Chargeur	DC40RA / DC40RB / DC40RC / DC40WA

- Certains chargeurs et batteries répertoriés ci-dessus peuvent ne pas être disponibles selon la région où vous résidez.

**⚠ AVERTISSEMENT : N'utilisez que les batteries et les chargeurs répertoriés ci-dessus.** L'utilisation d'autres batteries et chargeurs peut provoquer des blessures et/ou un incendie.

## Symboles

Vous trouverez ci-dessous les symboles susceptibles d'être utilisés pour l'appareil. Veuillez à comprendre leur signification avant toute utilisation.



Lire le mode d'emploi.



Veillez être prudent et rester attentif.



Avertissement ! Il se peut que l'aspirateur contienne des poussières dangereuses.



Ne vous tenez jamais sur l'aspirateur.



Catégorie de poussière L (légère). Un aspirateur est capable de ramasser les poussières de catégorie L. Suivez les réglementations de votre pays concernant les poussières et la santé et la sécurité au travail.



Pour les pays de l'Union européenne uniquement  
En raison de la présence de composants dangereux dans l'équipement, les déchets d'équipements électriques et électroniques, les accumulateurs et les batteries peuvent avoir un impact négatif sur l'environnement et la santé humaine.  
Ne jetez pas les appareils électriques et électroniques ou les batteries avec les ordures ménagères !  
Conformément à la directive européenne relative aux déchets d'équipements électriques et électroniques et aux déchets d'accumulateurs et de batteries, ainsi qu'à son adaptation à la législation nationale, les déchets d'équipements électriques, les batteries et les accumulateurs doivent être collectés séparément et déposés dans un point de collecte distinct pour déchets urbains, conformément aux réglementations en matière de protection de l'environnement.  
Cela est indiqué par le symbole de la poubelle à roulettes barrée sur l'équipement.

## Utilisations

L'appareil est conçu pour la collecte des poussières sèches et humides. L'appareil est prévu pour un usage commercial, par exemple, dans les hôtels, écoles, hôpitaux, usines, magasins, bureaux et agences de location.

## Bruit

Niveau de bruit pondéré A typique, déterminé selon EN60335-2-69 :

### Modèle VC001GL

Niveau de pression sonore ( $L_{pA}$ ) : 70 dB (A) ou moins  
Incertitude (K) : 2,5 dB (A)

### Modèle VC003GL

Niveau de pression sonore ( $L_{pA}$ ) : 70 dB (A) ou moins  
Incertitude (K) : 2,5 dB (A)

Le niveau de bruit en fonctionnement peut dépasser 80 dB (A).

**NOTE** : La ou les valeurs d'émission de bruit déclarées ont été mesurées conformément à la méthode de test standard et peuvent être utilisées pour comparer les outils entre eux.

**NOTE** : La ou les valeurs d'émission de bruit déclarées peuvent aussi être utilisées pour l'évaluation préliminaire de l'exposition.

**⚠ AVERTISSEMENT** : Portez un serre-tête antibruit.

**⚠ AVERTISSEMENT** : L'émission de bruit lors de l'usage réel de l'outil électrique peut être différente de la ou des valeurs déclarées, suivant la façon dont l'outil est utilisé, particulièrement selon le type de pièce usinée.

**⚠ AVERTISSEMENT** : Les mesures de sécurité à prendre pour protéger l'utilisateur doivent être basées sur une estimation de l'exposition dans des conditions réelles d'utilisation (en tenant compte de toutes les composantes du cycle d'utilisation, comme par exemple le moment de sa mise hors tension, lorsqu'il tourne à vide et le moment de son déclenchement).

## Vibrations

Valeur totale de vibrations (somme de vecteur triaxial) déterminée selon EN60335-2-69 :

### Modèle VC001GL

Émission de vibrations ( $a_{h,M}$ ) : 2,5 m/s<sup>2</sup> ou moins  
Incertitude (K) : 1,5 m/s<sup>2</sup>

### Modèle VC003GL

Émission de vibrations ( $a_{h,M}$ ) : 2,5 m/s<sup>2</sup> ou moins  
Incertitude (K) : 1,5 m/s<sup>2</sup>

**NOTE** : La ou les valeurs de vibration totales déclarées ont été mesurées conformément à la méthode de test standard et peuvent être utilisées pour comparer les outils entre eux.

**NOTE** : La ou les valeurs de vibration totales déclarées peuvent aussi être utilisées pour l'évaluation préliminaire de l'exposition.

**⚠ AVERTISSEMENT** : L'émission de vibrations lors de l'usage réel de l'outil électrique peut être différente de la ou des valeurs déclarées, suivant la façon dont l'outil est utilisé, particulièrement selon le type de pièce usinée.

**⚠ AVERTISSEMENT** : Les mesures de sécurité à prendre pour protéger l'utilisateur doivent être basées sur une estimation de l'exposition dans des conditions réelles d'utilisation (en tenant compte de toutes les composantes du cycle d'utilisation, comme par exemple le moment de sa mise hors tension, lorsqu'il tourne à vide et le moment de son déclenchement).

## Déclarations de conformité

### Pour les pays européens uniquement

Les déclarations de conformité sont fournies en Annexe A à ce mode d'emploi.

# CONSIGNES DE SÉCURITÉ

## Consignes de sécurité pour aspirateur sans fil

**⚠ AVERTISSEMENT : IMPORTANT ! LIRE ATTENTIVEMENT toutes les consignes de sécurité et toutes les instructions AVANT UTILISATION.** Le non-respect des avertissements et des instructions peut entraîner une électrocution, un incendie et/ou de graves blessures.

1. Avant l'utilisation, veillez à ce que l'aspirateur soit utilisé par des personnes ayant reçu des instructions adéquates quant à son utilisation.
2. Avant toute utilisation, les opérateurs doivent recevoir les informations, les instructions et la formation nécessaires à l'utilisation de la machine et sur les substances pour lesquelles elle est utilisée, notamment la méthode sûre pour retirer et jeter les matières collectées.
3. Si de la mousse ou un liquide sort, éteignez-le immédiatement.
4. Nettoyez régulièrement le dispositif limitant le niveau d'eau et vérifiez qu'il ne présente pas de signes de dommage.
5. Assurez-vous toujours que les filtres sont correctement installés avant toute utilisation. N'utilisez pas l'aspirateur sans filtres en place. Remplacez immédiatement le filtre s'il est endommagé. Il est recommandé de disposer de pièces de rechange, car les filtres sont des pièces consommables.
6. ÉVITEZ LES DÉMARRAGES INTÉPESTIFS. Veillez à mettre l'outil hors tension lors de la mise en place de la ou des batteries.
7. N'essayez pas d'aspirer des matériaux inflammables, du matériel pyrotechnique, des cigarettes allumées, des cendres chaudes, des copeaux de métal chauds et des matériaux tranchants comme un rasoir, des aiguilles, des morceaux de verre, etc.
8. N'UTILISEZ JAMAIS L'ASPIRATEUR À PROXIMITÉ D'ESSENCE, GAZ, PEINTURE, ADHÉSIFS OU AUTRES SUBSTANCES TRÈS EXPLOSIVES. L'interrupteur émet des étincelles à la mise sous et hors tension. Tout comme le commutateur du moteur pendant le fonctionnement. Une dangereuse explosion peut survenir.
9. N'aspirez jamais des matériaux toxiques, cancérogènes, combustibles ou d'autres produits dangereux comme l'amiante, l'arsenic, le baryum, le béryllium, le plomb, les pesticides ou d'autres matières présentant un danger pour la santé.
10. Placez toujours l'aspirateur sur une surface plane et horizontale afin d'empêcher sa chute ou son déplacement accidentel.
11. N'utilisez jamais l'aspirateur à l'extérieur sous la pluie.
12. Pour la Finlande, cette machine ne doit pas être utilisée à l'extérieur à basse température.
13. N'utilisez pas l'aspirateur près de sources de chaleur (cuisinières, etc.).
14. Si l'air évacué est ramené dans la pièce, il est nécessaire de prévoir un taux de renouvellement d'air adéquat dans la pièce. Il est nécessaire de consulter les réglementations nationales.
15. Ne bloquez pas les fentes de l'entrée d'aspiration, de la sortie ou d'aération. Ces fentes permettent le refroidissement du moteur. Il faut éviter soigneusement de les bloquer sous peine de griller le moteur en raison d'un manque d'aération.
16. Maintenez constamment une bonne assise et un bon équilibre.
17. Ne pliez pas le tuyau, ni ne tirez ou marchez dessus.
18. Arrêtez immédiatement l'aspirateur si vous remarquez des performances médiocres ou toute autre anomalie pendant le fonctionnement.
19. **RETIREZ LA OU LES BATTERIES.** Lorsque vous n'utilisez pas l'aspirateur, avant de le réparer et lors du remplacement des accessoires.
20. Procédez au nettoyage et à l'entretien de l'aspirateur immédiatement après chaque utilisation pour le maintenir dans des conditions de fonctionnement optimales.
21. **ENTRENEZ-VOUS SOIGNEUSEMENT L'ASPIRATEUR.** L'aspirateur doit toujours être propre pour améliorer la sécurité et les performances. Suivez les instructions pour remplacer les accessoires. Les poignées doivent toujours être sèches, propres et exemptes d'huile ou de graisse.
22. **VÉRIFIEZ LES PIÈCES ENDOMMAGÉES.** Avant toute nouvelle utilisation de l'aspirateur, vérifiez soigneusement un carter de protection ou toute autre pièce endommagée pour déterminer qu'ils fonctionnent bien et remplissent leurs fonctions respectives. Vérifiez l'alignement des pièces mobiles, le blocage des pièces mobiles, les pièces cassées, l'installation et tout autre état susceptible d'affecter le fonctionnement. Un carter de protection ou toute autre pièce endommagée doivent être réparés ou remplacés correctement par un centre de service après-vente agréé sauf indication contraire de ce mode d'emploi. Confiez le remplacement des interrupteurs défectueux à un centre de service après-vente agréé. N'utilisez pas l'aspirateur s'il ne peut pas être mis sous et hors tension au moyen de l'interrupteur.
23. Pour le dépannage utilisateur, la machine doit être démontée, nettoyée et dépannée, autant que raisonnablement possible, sans mettre en danger le personnel de maintenance et d'autres personnes.
24. La machine doit être inspectée sur le plan technique par le fabricant ou une personne formée, au moins une fois par an, et cette

inspection doit comprendre, entre autres, la vérification des dommages des filtres, de l'étanchéité à l'air de la machine et du bon fonctionnement du mécanisme de contrôle.

25. Lors des tâches d'entretien ou de réparation, tous les éléments contaminés ne pouvant être nettoyés de manière satisfaisante doivent être mis au rebut. Ces éléments doivent être jetés dans des sacs étanches conformément aux réglementations actuelles en matière de mise au rebut de ce type de déchets.
26. **PIÈCES DE RECHANGE.** En cas de réparation, utilisez uniquement des pièces de rechange identiques.
27. **RANGÉZ L'ASPIRATEUR APRÈS UTILISATION.** Lorsque vous n'utilisez pas l'aspirateur, rangez-le à l'intérieur.
28. Les filtres humides et la partie intérieure du récipient de liquide doivent être séchés avant rangement.
29. Épargnez votre aspirateur. Une manipulation brutale peut entraîner la rupture de l'aspirateur le plus robuste.
30. Ne nettoyez pas l'extérieur ou l'intérieur avec du benzène, du diluant ou d'autres produits chimiques de nettoyage. Vous risqueriez de le fissurer ou de le décolorer.
31. N'utilisez pas l'aspirateur dans un endroit fermé où des vapeurs inflammables, explosives ou toxiques sont dégagées par de la peinture à base d'huile, du diluant pour peinture, de l'essence, certains produits antimites, etc., ou dans des endroits exposés à des poussières inflammables.
32. N'utilisez pas cet outil ou tout autre sous l'emprise de drogues, de médicaments ou d'alcool.
33. Par mesure de sécurité, utilisez des lunettes à coques ou des lunettes de sécurité avec écrans latéraux.
34. Utilisez un masque anti-poussière dans des conditions de travail poussiéreuses.
35. Cette machine n'est pas destinée à être utilisée par des personnes (y compris les enfants) aux facultés physiques, sensorielles ou mentales diminuées ou sans expérience ni expertise.
36. Les enfants doivent être sous la surveillance d'un adulte afin de s'assurer qu'ils ne jouent pas avec l'aspirateur.
37. Ne manipulez jamais la ou les batteries et l'aspirateur avec les mains mouillées.
38. Redoublez de précaution lorsque vous nettoyez des escaliers.
39. N'utilisez pas l'aspirateur comme marchepied ou établi. La machine pourrait tomber et provoquer des blessures corporelles.

#### Utilisation et entretien des outils fonctionnant sur batterie

1. Rechargez la batterie uniquement avec le chargeur spécifié par le fabricant. Un chargeur qui est adapté à un type spécifique de batterie peut présenter un risque d'incendie s'il est utilisé avec un autre type de batterie.
2. Utilisez un outil électrique uniquement avec la batterie spécifiquement indiquée. L'utilisation

de toute autre batterie peut présenter un risque de blessure et d'incendie.

3. Lorsque vous n'utilisez pas la batterie, tenez-la à l'écart des objets métalliques, comme des trombones, pièces de monnaie, clés, clous, vis ou autres petits objets métalliques, susceptibles de créer une connexion entre deux bornes. Court-circuiter les bornes d'une batterie entre elles peut provoquer des brûlures ou un incendie.
4. Dans des conditions d'utilisation inadéquates, il peut y avoir une fuite de l'électrolyte de la batterie. Le cas échéant, évitez tout contact avec ce liquide. En cas de contact accidentel, rincez à l'eau. Si le liquide pénètre dans les yeux, consultez par ailleurs un médecin. Le liquide s'échappant de la batterie peut provoquer une irritation ou des brûlures.
5. N'utilisez pas une batterie ou un outil s'ils sont endommagés ou modifiés. Une batterie endommagée ou modifiée peut avoir un comportement imprévisible susceptible d'entraîner un incendie, une explosion ou des blessures.
6. N'exposez pas la batterie ou l'outil au feu ou à une température excessive. L'exposition au feu ou à une température supérieure à 130 °C peut provoquer une explosion.
7. Respectez toutes les instructions de charge et ne chargez pas la batterie ou l'outil en dehors de la plage de température indiquée dans les instructions. Une charge incorrecte ou à une température en dehors de la plage indiquée peut endommager la batterie et augmenter le risque d'incendie.

## CONSERVEZ CES INSTRUCTIONS.

**AVERTISSEMENT** : NE vous laissez PAS tromper (au fil d'une utilisation répétée) par un sentiment d'aisance et de familiarité avec le produit, en négligeant le respect rigoureux des consignes de sécurité qui accompagnent le produit en question. La MAUVAISE UTILISATION de l'outil ou l'ignorance des consignes de sécurité indiquées dans ce mode d'emploi peut entraîner de graves blessures.

## Consignes de sécurité importantes pour la batterie

1. Avant d'utiliser la batterie, lisez toutes les instructions et précautions relatives (1) au chargeur de batterie, (2) à la batterie, et (3) au produit utilisant la batterie.
2. Ne désassemblez pas et ne modifiez pas la batterie. Cela pourrait entraîner un incendie, une chaleur excessive ou une explosion.
3. Cessez immédiatement l'utilisation si le temps de fonctionnement devient excessivement court. Il y a un risque de surchauffe, de brûlures, voire d'explosion.
4. Si l'électrolyte pénètre dans vos yeux, rincez-les à l'eau claire et consultez immédiatement un médecin. Il y a un risque de perte de la

vue.

5. **Ne court-circuitez pas la batterie :**
  - (1) **Ne touchez les bornes avec aucun matériau conducteur.**
  - (2) **Évitez de ranger la batterie dans un conteneur avec d'autres objets métalliques, par exemple des clous, des pièces de monnaie, etc.**
  - (3) **N'exposez pas la batterie à l'eau ou à la pluie.**

Un court-circuit de la batterie peut provoquer une intensité de courant élevée, une surchauffe, parfois des brûlures et même une panne.

6. **Ne rangez ni n'utilisez l'outil et la batterie dans un endroit où la température risque d'atteindre ou de dépasser 50 °C.**
7. **Ne jetez pas la batterie au feu même si elle est sérieusement endommagée ou complètement épuisée. La batterie peut exploser au contact du feu.**
8. **Abstenez-vous de clouer, couper, écraser, jeter, laisser tomber la batterie, ou de la heurter contre un objet dur.** Cela pourrait entraîner un incendie, une chaleur excessive ou une explosion.
9. **N'utilisez pas la batterie si elle est endommagée.**
10. **Les batteries au lithium-ion contenues sont soumises aux exigences de la législation sur les marchandises dangereuses.**

Lors du transport commercial par des tierces parties ou des transitaires par exemple, des exigences spécifiques en matière d'étiquetage et d'emballage doivent être respectées. Pour la préparation de l'article expédié, il est nécessaire de consulter un expert en matériau dangereux. Veuillez également respecter les réglementations nationales susceptibles d'être plus détaillées.

Recouvrez les contacts exposés avec du ruban adhésif ou du ruban de masquage et emballez la batterie de telle sorte qu'elle ne puisse pas bouger dans l'emballage.
11. **Lors de la mise au rebut de la batterie, retirez-la de l'outil et jetez-la en lieu sûr. Suivez les réglementations locales en matière de mise au rebut des batteries.**
12. **Utilisez les batteries uniquement avec les produits spécifiés par Makita.** L'insertion de batteries dans des produits non conformes peut provoquer un incendie, une chaleur excessive, une explosion ou une fuite de l'électrolyte.
13. **Lorsque vous n'utilisez pas l'outil pendant une période prolongée, la batterie doit être retirée de l'outil.**
14. **Pendant et après l'utilisation, la batterie peut chauffer, ce qui peut entraîner des brûlures, y compris en cas de température relativement basse. Manipulez les batteries chaudes avec précaution.**
15. **Ne touchez pas la borne de l'outil immédiatement après utilisation car elle peut être assez chaude pour provoquer des brûlures.**
16. **Évitez que des copeaux, de la poussière ou**

**du sol adhérent aux bornes, aux trous et aux rainures de la batterie.** Cela peut provoquer un échauffement, un incendie, une explosion ou un dysfonctionnement de l'outil ou de la batterie, ce qui peut entraîner des brûlures ou des blessures.

17. **À moins que l'outil prenne en charge un tel usage, n'utilisez pas la batterie à proximité de lignes électriques haute tension.** Cela pourrait entraîner un dysfonctionnement ou casser l'outil ou la batterie.
18. **Conservez la batterie hors de portée des enfants.**

## CONSERVEZ CES INSTRUCTIONS.

**⚠ ATTENTION :** N'utilisez que des batteries Makita d'origine. L'utilisation de batteries de marque autre que Makita ou de batteries modifiées peut provoquer l'explosion des batteries, ce qui présente un risque d'incendie, de dommages matériels et corporels. Cela annulera également la garantie Makita pour l'outil et le chargeur Makita.

## Conseils pour assurer la durée de vie optimale de la batterie

1. **Chargez la batterie avant qu'elle ne soit complètement déchargée. Arrêtez toujours l'outil et rechargez la batterie quand vous remarquez que la puissance de l'outil diminue.**
2. **Ne rechargez jamais une batterie complètement chargée. La surcharge réduit la durée de service de la batterie.**
3. **Chargez la batterie à une température ambiante comprise entre 10 °C et 40 °C. Avant de charger une batterie chaude, laissez-la refroidir.**
4. **Lorsque vous n'utilisez pas la batterie, retirez-la de l'outil ou du chargeur.**
5. **Rechargez la batterie si elle est restée inutilisée pendant une période prolongée (plus de six mois).**

## DESCRIPTION DES PIÈCES

► Fig. 1: 1. Unité de la tête 2. Flotteur 3. Chambre du flotteur 4. Filtre en tissu 5. Réservoir

## DESCRIPTION DU FONCTIONNEMENT

**⚠ ATTENTION :** Assurez-vous toujours que l'appareil est hors tension et que ses batteries sont retirées avant de l'ajuster ou de vérifier son fonctionnement.

## Insertion ou retrait de la batterie

**⚠ ATTENTION :** Éteignez toujours l'appareil avant de mettre en place ou de retirer les batteries.

**⚠ ATTENTION :** Tenez fermement l'aspirateur et les batteries lors de la mise en place ou du retrait des batteries. Autrement, ils peuvent vous glisser des mains et endommager l'aspirateur et les batteries ou vous blesser.

**⚠ ATTENTION :** Veillez à ne pas vous pincer les doigts lors de l'ouverture ou de la fermeture du couvercle de batterie. Vous risqueriez autrement de vous blesser.

L'aspirateur a deux emplacements pour batterie. Avec deux batteries identiques en parallèle, vous pouvez prolonger votre autonomie d'une ou plusieurs utilisations sans devoir vous arrêter pour recharger les batteries. L'aspirateur fonctionne également avec une seule batterie, ce qui vous permet de choisir entre deux batteries ou une seule batterie selon vos besoins.

► **Fig.2:** 1. Emplacement pour batterie gauche  
2. Emplacement pour batterie droite

### Avec doubles batteries

L'entraînement continu avec deux batteries permet une autonomie plus longue et un nettoyage plus efficace. Lorsque la première batterie est déchargée, l'aspirateur change automatiquement de source d'alimentation, pour continuer à fonctionner avec la deuxième batterie.

**NOTE :** L'emplacement pour batterie gauche (lorsque vous êtes face à l'avant de l'aspirateur) a priorité sur l'emplacement pour batterie droite. L'emplacement pour batterie droit sert uniquement de source d'alimentation, en l'absence de batterie dans l'emplacement pour batterie gauche ou lorsque la batterie sur l'emplacement pour batterie gauche est déchargée.

**NOTE :** Vous pouvez retirer la batterie de l'emplacement pour batterie gauche et la recharger une fois que l'aspirateur a changé de source d'alimentation de l'emplacement pour batterie gauche à l'emplacement pour batterie droite sans cesser de fonctionner. Pour redonner la priorité à l'emplacement pour batterie gauche après avoir installé une batterie rechargée, redémarrez l'aspirateur.

### Avec une seule batterie

Une seule batterie est requise comme source d'alimentation sur l'emplacement pour batterie gauche ou droit. L'aspirateur détermine automatiquement quel emplacement pour batterie est disponible selon les conditions de fonctionnement.

### Installation et désinstallation

Pour mettre les batteries en place, libérez d'abord le verrou, puis ouvrez le couvercle de batterie. Insérez ensuite les batteries.

► **Fig.3:** 1. Verrou 2. Couvercle de batterie

Alignez les languettes sur les batteries avec les rainures sur le compartiment de batterie et insérez-les en place. Insérez-les à fond jusqu'à ce qu'un léger dé clic se fasse entendre.

Verrouillez ensuite le couvercle de batterie.

► **Fig.4:** 1. Batterie 2. Bouton

Pour retirer les batteries, faites-les glisser hors du compartiment de batterie tout en maintenant enfoncés les boutons devant les batteries.

**⚠ ATTENTION :** Insérez toujours complètement la batterie. Sinon, elle pourrait tomber accidentellement de l'appareil au risque de vous blesser ou de blesser quelqu'un se trouvant à proximité.

**⚠ ATTENTION :** N'insérez pas la batterie de force. Si elle ne glisse pas facilement, c'est que vous ne l'insérez pas correctement.

**NOTE :** Lorsque l'aspirateur change de source d'alimentation de la première batterie à la seconde, il peut s'avérer nécessaire d'interrompre provisoirement le fonctionnement, ce qui entraîne une légère perte d'aspiration. Veuillez noter qu'il ne s'agit pas d'un dysfonctionnement et que l'aspirateur se rétablit et recommence à fonctionner immédiatement après la pause.

## Indication de la charge restante de la batterie

Appuyez sur le bouton de vérification sur la batterie pour indiquer la charge restante de la batterie. Les témoins s'allument pendant quelques secondes.

► **Fig.5:** 1. Témoins 2. Bouton de vérification

Témoins			Charge restante
Allumé	Éteint	Clignotant	
■	□	◐	75 % à 100 %
■	■	■	50 % à 75 %
■	■	□	25 % à 50 %
■	□	□	0 % à 25 %
◐	□	□	Chargez la batterie.
■	■	□	Anomalie possible de la batterie.
□	□	■	

**NOTE :** Selon les conditions d'utilisation et la température ambiante, l'indication peut être légèrement différente de la capacité réelle.

**NOTE :** Le premier témoin (complètement à gauche) clignotera pendant le fonctionnement du système de protection de la batterie.

## Témoins de batterie sur le panneau de commande

La capacité restante de la batterie peut être lue à tout moment sur le panneau de commande. Appuyez sur le bouton de vérification. Les indicateurs gauche et

droit indiquent les niveaux de charge de batterie en conséquence.

► **Fig.6:** 1. Témoins de batterie 2. Bouton de vérification

► **Fig.7**

Statut du témoin de la batterie			Charge restante de la batterie
Allumé	Éteint	Clignotant	
			50 % à 100 %
			20 % à 50 %
			0 % à 20 %
			Chargez la batterie
			Batterie non insérée

**NOTE :** Les témoins de batterie sont également activés lorsque l'aspirateur commence à fonctionner ou change de source d'alimentation en passant de l'une à l'autre.

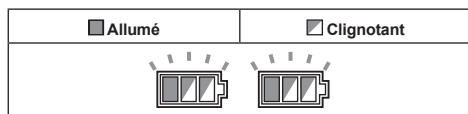
## Système de protection de l'appareil/la batterie

L'appareil est équipé d'un système de protection de l'appareil/la batterie. Ce système met automatiquement hors tension le moteur pour accroître l'autonomie de l'appareil et de la batterie. Si l'appareil ou la batterie se trouve dans l'une des situations suivantes, l'appareil cesse automatiquement de fonctionner :

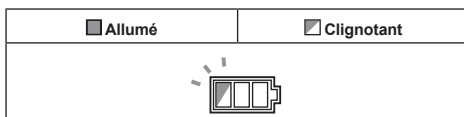
### Protection contre la surcharge

Lorsque l'appareil/la batterie est utilisé(e) d'une manière provoquant un appel de courant anormalement élevé, il s'arrête automatiquement. Dans ce cas, éteignez l'appareil et arrêtez la tâche ayant provoqué la surcharge de l'appareil. Puis rallumez l'appareil pour reprendre la tâche.

### Protection contre la surchauffe



En cas de surchauffe de l'appareil, celui-ci s'arrête automatiquement et les deux témoins de batterie gauche et droit clignotent. Dans ce cas, laissez l'appareil refroidir avant de rallumer l'appareil.



En cas de surchauffe de la batterie, l'appareil s'arrête automatiquement et l'un des témoins de surchauffe de la batterie clignote. Dans ce cas, laissez la batterie refroidir avant de rallumer l'appareil.

## Protection contre la décharge totale de la batterie

Lorsque la capacité de la batterie devient faible, l'appareil s'arrête automatiquement. Si l'appareil ne fonctionne pas en utilisant l'interrupteur, retirez les batteries de l'appareil et rechargez-les.

## Protections contre d'autres causes

Le système de protection est également conçu pour d'autres causes qui pourraient endommager l'appareil et lui permet de s'arrêter automatiquement. Suivez toutes les étapes ci-dessous pour éliminer les causes, lorsque l'appareil a été arrêté provisoirement ou a cessé de fonctionner.

1. Éteignez l'appareil, puis rallumez-le pour le redémarrer.
2. Chargez la ou les batteries ou remplacez-les par des batteries rechargées.
3. Laissez l'appareil et la ou les batteries refroidir.

En l'absence d'amélioration après avoir rétabli le système de protection, contactez votre centre de service Makita local.

## Fonctionnement de la gâchette

### Mise sous tension de l'aspirateur

1. Tournez le bouton de veille sur la position « I » (marche) pour que l'aspirateur soit prêt en mode de veille.
2. Appuyez sur le bouton d'alimentation. Pour que l'aspirateur revienne en mode de veille, appuyez à nouveau sur le bouton d'alimentation.

### Mise hors tension de l'aspirateur

Effectuez l'une des étapes suivantes.

- Appuyez sur le bouton d'alimentation pour remettre l'aspirateur en mode de veille, puis tournez le bouton de veille sur la position « O » (arrêt).
- Tournez le bouton de veille sur la position « O » (arrêt).

### Réglage de la puissance d'aspiration

La puissance d'aspiration peut être réglée en fonction de vos besoins.

- Tournez le bouton de réglage de la puissance d'aspiration vers la gauche pour réduire la puissance d'aspiration.
- Tournez le bouton de réglage de la puissance d'aspiration vers la droite pour augmenter la puissance d'aspiration.

► **Fig.8:** 1. Bouton de veille 2. Bouton d'alimentation 3. Bouton de réglage de la puissance d'aspiration



## Arrêt automatique de l'aspiration pendant l'aspiration humide

**⚠ AVERTISSEMENT** : N'utilisez pas l'aspirateur pendant une période prolongée si le flotteur fonctionne. Si vous utilisez l'aspirateur avec son flotteur fonctionnant pendant une période prolongée, une surchauffe peut se produire et déformer l'aspirateur.

**⚠ AVERTISSEMENT** : Ne ramassez pas la mousse ou les liquides savonneux. La mousse peut s'échapper de la sortie d'air avant que le flotteur fonctionne. L'utilisation continue dans ces conditions pourrait provoquer une électrocution et casser l'aspirateur.

La fonction d'arrêt automatique de l'aspiration est opérationnelle uniquement lorsque l'aspirateur est utilisé avec le flotteur et la chambre du flotteur. L'aspirateur est pourvu d'un système de flotteur qui empêche la pénétration de l'eau dans le moteur lors du ramassage d'une plus grande quantité d'eau. Lorsque le réservoir est plein et que l'aspirateur ne ramasse plus d'eau, mettez-le hors tension et videz le réservoir.

## Blocage et déblocage des roulettes

Les roulettes arrière peuvent être bloquées avec des freins pour aider l'aspirateur à rester immobile. Abaissez manuellement le frein de blocage pour bloquer la roulette, puis soulevez-le pour la libérer.

► **Fig.9:** 1. Roulette 2. Frein de blocage 3. Position LIBRE 4. Position BLOQUÉE

**NOTE** : Lorsque vous déplacez l'aspirateur, assurez-vous que la roulette est déblocuée. Si vous déplacez l'aspirateur avec la roulette dans une position bloquée, vous risquez d'endommager la roulette.

## Poignée de transport

**⚠ ATTENTION** : Soulevez et transportez l'appareil avec précaution. Le non-respect de cette consigne peut entraîner des blessures corporelles ou des dommages à l'appareil.

Transportez l'aspirateur en le tenant par la poignée située sur l'unité de la tête. La poignée est rétractable sur l'unité de la tête lorsqu'elle n'est pas utilisée.

► **Fig.10**

## ASSEMBLAGE

**⚠ ATTENTION** : Vérifiez toujours que l'appareil est hors tension et que les batteries sont retirées avant toute intervention dessus.

**⚠ ATTENTION** : Portez toujours un masque anti-poussière pendant l'assemblage ou l'entretien.

## Mise en place du filtre à poudre (HEPA) et du préfiltre (pour les poussières sèches)

### Accessoire en option

**⚠ ATTENTION** : Ne ramassez jamais d'eau, d'autres liquides ou de poussières humides lorsque vous utilisez le filtre à poudre. Le filtre à poudre pourrait autrement se rompre.

Utilisation du filtre à poudre :

1. Desserrez les vis fixant la chambre du flotteur, puis retirez les vis, la chambre du flotteur et le flotteur de l'unité de la tête.

► **Fig.11:** 1. Vis 2. Chambre du flotteur 3. Flotteur 4. Unité de la tête

2. Retirez le filtre en tissu du réservoir.

► **Fig.12:** 1. Filtre en tissu 2. Réservoir

3. Placez le préfiltre dans le réservoir en alignant les repères d'emplacement de montage sur le préfiltre et le réservoir.

4. Montez l'amortisseur dans le préfiltre, puis placez le filtre à poudre sur l'amortisseur en alignant les repères d'emplacement de montage sur le filtre à poudre et le préfiltre.

5. Montez l'unité de la tête sur le réservoir et fixez-les avec les loquets de verrouillage.

► **Fig.13:** 1. Unité de la tête 2. Filtre à poudre (HEPA) 3. Amortisseur 4. Préfiltre 5. Réservoir 6. Repère d'emplacement de montage

**REMARQUE** : Avant d'utiliser le filtre à poudre, assurez-vous que le préfiltre et l'amortisseur sont toujours utilisés ensemble. Il est interdit d'installer uniquement le filtre à poudre.

## Installation d'un filtre à eau

### Accessoire en option

**REMARQUE** : Ne ramassez jamais d'eau ou de poussières humides sans le flotteur et le filtre en tissu ou le filtre à eau.

**REMARQUE** : Avant de ramasser des poussières humides, assurez-vous que la chambre du flotteur et le flotteur sont bien installés sur l'aspirateur.

**REMARQUE** : Lorsque vous installez le filtre à eau sur le réservoir, placez-le bien contre l'ouverture du réservoir de sorte que le crochet du filtre à eau s'enclenche fermement dans l'ouverture du réservoir et qu'il n'y ait pas d'espace entre le filtre à eau et le réservoir.

Pour ramasser uniquement l'eau ou les poussières humides, mieux vaut utiliser le filtre à eau que le filtre en tissu.

Lors de l'installation du filtre à eau, alignez son repère d'emplacement de montage sur le repère sur le réservoir.

► **Fig.14:** 1. Filtre à eau 2. Réservoir 3. Repère

**NOTE :** Il est recommandé d'utiliser le filtre à eau lorsque vous devez ramasser de manière répétée une grande quantité d'eau. Autrement, la capacité d'aspiration risque d'être réduite avec le filtre en tissu.

## Installation d'un sac papier

### Accessoire en option

**AVERTISSEMENT :** Avant d'utiliser un sac papier, assurez-vous que le filtre en tissu ou le préfiltre est utilisé avec. Si vous n'utilisez pas également le filtre en tissu/préfiltre, un dégagement de chaleur et un bruit anormaux peuvent se produire et provoquer un incendie.

**REMARQUE :** Ne ramassez jamais d'eau, d'autres liquides ou des poussières humides lorsque vous utilisez un sac papier. En ramassant ces matières, vous risqueriez de rompre le sac papier.

**REMARQUE :** Lorsque vous utilisez le filtre en tissu, assurez-vous que le flotteur et la chambre du flotteur sont fixés sur l'unité de la tête.

**REMARQUE :** Lorsque vous utilisez le préfiltre, assurez-vous que le filtre à poudre et l'amortisseur sont utilisés ensemble.

1. Dépliez un sac papier.
2. Alignez l'ouverture du sac papier sur l'entrée de la poussière du réservoir.
3. Installez le sac papier dans le réservoir avec son ouverture en carton accrochée sur le support du sac papier.

► **Fig.15:** 1. Sac papier 2. Ouverture en carton  
3. Support du sac papier 4. Entrée de la poussière

## Installation d'un sac en polyéthylène

Avec un sac en polyéthylène installé dans le réservoir, vous pouvez facilement vider le réservoir sans vous salir les mains.

Placez un sac en polyéthylène sur le réservoir et glissez un côté du bord supérieur du sac à son extrémité ouverte entre la plaque du support et la paroi avant du réservoir.

► **Fig.16:** 1. Plaque du support 2. Paroi avant du réservoir 3. Sac en polyéthylène

Déployez les autres bords supérieurs du sac vers l'extérieur sur les bords supérieurs du réservoir. Placez le filtre en tissu ou le préfiltre sur le sac en polyéthylène pour bien fixer l'ouverture du sac.

► **Fig.17:** 1. Filtre en tissu/préfiltre

**NOTE :** Un sac en polyéthylène en vente sur le marché peut être utilisé. Son épaisseur doit être d'au moins 0,04 mm.

**NOTE :** Étant donné qu'un excès de poussière déchirera facilement le sac, ne ramassez pas la poussière à plus de la moitié de la capacité du sac.

## Comment vider le réservoir avec le sac en polyéthylène

**AVERTISSEMENT :** Assurez-vous toujours que l'aspirateur est hors tension et que les batteries sont retirées avant de vider le réservoir. Vous pourriez autrement vous électrocuter et gravement vous blesser.

**REMARQUE :** N'exercez pas une force importante sur la chambre du flotteur et le réservoir. Vous pourriez déformer et endommager les pièces.

**REMARQUE :** Videz le réservoir au moins une fois par jour (toutefois cela dépend du volume de poussière ramassée dans le réservoir). Sinon, la puissance d'aspiration diminuera et le moteur risque de casser.

**REMARQUE :** Ne tenez pas les crochets ou les loquets lorsque vous videz le réservoir. Si vous saisissez les crochets ou les loquets, vous risquez de les casser.

Libérez les loquets de verrouillage et soulevez l'unité de la tête hors du réservoir.

Secouez le filtre en tissu ou le préfiltre pour éliminer la poussière avant de soulever le filtre hors du réservoir. Retirez ensuite le sac en polyéthylène du réservoir, en fermant manuellement l'ouverture du sac.

► **Fig.18:** 1. Sac en polyéthylène 2. Réservoir

**NOTE :** Sortez le sac en polyéthylène du réservoir avec précaution pour éviter qu'il ne soit rayé et déchiré par les bords à l'intérieur du réservoir.

**NOTE :** Videz le sac en polyéthylène avant qu'il ne soit plein. Trop de poussière dans le réservoir peut déchirer le sac en polyéthylène.

## Installation du crochet multiple

Utilisez le crochet multiple pour maintenir en place un tuyau, des accessoires et des fixations qui ne sont pas utilisés. Vous pouvez les retirer rapidement selon vos préférences.

► **Fig.19**

Placez le crochet multiple sur le socle de montage à l'arrière de l'aspirateur en plaçant les rails sur le crochet multiple le long des rainures du socle de montage.

► **Fig.20:** 1. Crochet multiple 2. Socle de montage

## Installation de l'adaptateur MAKPAC

### Accessoire en option

Les boîtiers de rangement MAKPAC connectables et empilables peuvent être installés sur le dessus de l'aspirateur avec un adaptateur en option. Les boîtiers sont disponibles en plusieurs tailles et styles pour s'adapter à vos préférences.

Placez le crochet du socle de montage sur la poignée de l'aspirateur avec sa surface de montage orientée vers le haut lorsque la poignée est repliée en position fermée.

► **Fig.21:** 1. Crochet du socle de montage 2. Surface de montage 3. Poignée

Montez l'adaptateur MAKPAC sur le crochet du socle de montage et fixez-les ensemble avec les quatre vis fournies.

► **Fig.22:** 1. Adaptateur MAKPAC 2. Crochet du socle de montage 3. Vis

Soulevez la barre de poussée et serrez la molette pour préparer l'installation des boîtiers MAKPAC sur l'aspirateur.

► **Fig.23:** 1. Barre de poussée 2. Molette

**NOTE :** Pour en savoir plus sur l'installation des boîtiers MAKPAC, reportez-vous aux instructions accompagnant l'adaptateur MAKPAC et les boîtiers.

## Installation du tuyau

**REMARQUE :** Ne pliez jamais de force le tuyau, ni ne le piétinez. Ne déplacez jamais l'aspirateur en tirant sur le tuyau. Si vous forcez sur le tuyau, le piétinez ou tirez dessus, vous risquez de le rompre ou de le déformer.

**REMARQUE :** Lorsque vous ramassez des déchets de grande taille comme des débris de rabot, des poussières de béton ou autres déchets similaires de grande taille, utilisez un tuyau ayant un diamètre interne de 38 mm (accessoire en option). Si vous utilisez le tuyau ayant un diamètre interne de 28 mm (accessoire en option), vous risquez de boucher et endommager le tuyau.

### Raccordement à l'aspirateur

Insérez l'extrémité du tuyau dans l'entrée de la poussière (entrée du tuyau) de l'aspirateur, puis tournez-la dans le sens des aiguilles d'une montre jusqu'à ce qu'elle se verrouille en place.

► **Fig.24:** 1. Tuyau 2. Entrée de la poussière (entrée du tuyau)

### Raccordements avec vos outils de travail (Propre au pays)

En connectant l'aspirateur à tous les outils de travail disponibles compatibles avec l'aspirateur, il fonctionne comme un extracteur de poussière pour vos outils électriques.

Pour raccorder un outil à l'aspirateur, le tuyau dédié et/ou des pièces supplémentaires sont nécessaires. Selon le modèle de votre aspirateur, il vous faudra remplacer le tuyau et/ou préparer des pièces supplémentaires.

Sélectionnez l'un des manchons avant ou des joints (accessoires en option) le mieux adapté à votre modèle d'outil. Placez les manchons ou le joint, au besoin, entre l'extrémité avant du tuyau de l'aspirateur et un orifice d'extraction de la poussière de votre outil.

► **Fig.25:** 1. Manchons avant ou joint 2. Tuyau de l'aspirateur 3. Outil électrique 4. Aspirateur

## Pose ou dépose des accessoires de l'aspirateur

**ATTENTION :** Après avoir installé un accessoire, assurez-vous qu'il est solidement installé. Si l'accessoire est mal installé, il risque de se déloger et de provoquer des blessures.

## Fixation de l'ensemble du tube cintré

### Accessoire en option

**NOTE :** Il n'est pas nécessaire d'effectuer cette procédure si votre modèle est livré avec l'ensemble du tube cintré fixé sur le tuyau.

L'ensemble du tube cintré sert à raccorder le tube prolongateur ou le suceur pour aspiration à ce produit. Si vous souhaitez utiliser ce produit comme aspirateur, fixez l'ensemble du tube cintré au tuyau.

### Pour l'ensemble du tube cintré de type vissable

Pour le fixer, dévissez le manchon avant du tuyau et serrez le manchon de l'ensemble du tube cintré sur le tuyau.

Pour le retirer, desserrez le manchon de l'ensemble du tube cintré sur le tuyau.

► **Fig.26:** 1. Tuyau 2. Ensemble du tube cintré 3. Manchon

### Pour l'ensemble du tube cintré de type enclipsable

Pour le fixer, insérez l'extrémité du tuyau dans l'ensemble du tube cintré. Assurez-vous que les languettes sur l'extrémité du tuyau s'enclipsent dans les orifices sur l'ensemble du tube cintré.

Pour le retirer, tirez sur l'ensemble du tube cintré tout en appuyant sur les deux languettes sur l'extrémité du tuyau.

► **Fig.27:** 1. Extrémité du tuyau 2. Languette 3. Orifice 4. Ensemble du tube cintré

## Lorsque vous utilisez un accessoire sans fonction de blocage

### Accessoire en option

Insérez un accessoire dans l'entrée d'aspiration de l'aspirateur en le poussant et en le vissant en place à la main.

Faites tourner l'accessoire à la main et retirez-le de l'entrée d'aspiration après utilisation.

► **Fig.28**

## Accessoires avec fonction de blocage

### Accessoire en option

**REMARQUE :** Lorsque vous installez un accessoire avec fonction de blocage, veillez à aligner le bouton de délogement avec le crochet sur l'accessoire. S'ils ne sont pas alignés, l'accessoire ne se verrouillera pas et pourra se détacher de l'aspirateur.

Insérez un accessoire dans l'entrée d'aspiration de l'aspirateur en les poussant ensemble jusqu'au déclic. Pour retirer l'accessoire, tirez-le tout en appuyant sur le bouton de délogement.

► **Fig.29:** 1. Entrée d'aspiration avec fonction de blocage 2. Bouton de délogement 3. Accessoire avec fonction de blocage

**NOTE :** Un accessoire avec fonction de blocage ne peut être installé que dans l'entrée d'aspiration avec fonction de blocage.

► **Fig.30:** 1. Accessoire avec fonction de blocage 2. Entrée d'aspiration avec fonction de

## Assemblage du raccord et du tube

### Accessoire en option

**NOTE** : Le type de raccord et de tube fournis avec le produit dépend du pays. Dans certains pays, le raccord et le tube ne sont pas fournis.

Insérez en tournant le suceur sur le tube prolongateur.

► **Fig.31:** 1. Tube prolongateur 2. Suceur en caoutchouc flexible 3. Suceur plat 4. Raccord en forme de T

**NOTE** : Tourner le suceur en l'insérant permet de le fixer solidement au tube prolongateur.

**NOTE** : Pour le modèle avec le tuyau de  $\varnothing 38$  mm et le manchon avant 38, fixez le raccord fourni au tube courbé en aluminium/tube droit en aluminium.

Lorsque vous utilisez le suceur en T avec basculement sol/tapis, vous pouvez changer de mode selon l'endroit.

- Mode sol : convient pour un endroit lisse, comme un sol dur
- Mode tapis : convient pour un endroit à longs poils comme de la moquette ou un tapis

► **Fig.32:** 1. Bouton de changement de mode 2. Mode sol 3. Mode tapis

## Réglage des longueurs du tube prolongateur de type coulissant

### Accessoire en option

Un tube prolongateur de type coulissant peut être combiné pour des longueurs plus courtes et plus longues. Il permet de nettoyer les zones difficiles d'accès et offre des options de positionnement confortables.

Tirez d'avant en arrière le tube coulissant pour changer la longueur de la baguette tout en maintenant enfoncé le bouton coulissant.

Relâchez le bouton coulissant pour verrouiller le tube coulissant dans la position souhaitée.

► **Fig.33:** 1. Tube coulissant 2. Bouton coulissant

## ENTRETIEN

**⚠ ATTENTION** : Assurez-vous toujours que l'appareil est hors tension et que les batteries sont retirées avant d'y effectuer tout travail d'inspection ou d'entretien.

**REMARQUE** : N'utilisez jamais d'essence, benzine, diluant, alcool ou autre produit similaire. Cela risquerait de provoquer la décoloration, la déformation ou la fissuration de l'outil.

Pour assurer la SÉCURITÉ et la FIABILITÉ du produit, toute réparation, tout travail d'entretien ou de réglage doivent être effectués par un centre d'entretien Makita agréé, avec des pièces de rechange Makita.

## Rangement des accessoires

Les accessoires et fixations non utilisés, tels que les suceurs et les brosses, peuvent être accrochés et rangés dans le crochet multiple à l'arrière de l'aspirateur.

► **Fig.34:** 1. Crochet multiple 2. Accessoires et fixations non utilisés

Les tubes (avec un frein en option installé) peuvent être placés dans le porte-tube lorsque vous n'utilisez pas l'aspirateur pendant un court instant.

► **Fig.35:** 1. Frein (accessoire en option) 2. Porte-tube

Un tuyau peut être enroulé et rangé autour du logement ou de la poignée de l'aspirateur en grandes boucles.

Attachez ses deux extrémités ensemble pour former des boucles et accrochez les boucles sur la poignée relevée. Vous pouvez également maintenir son extrémité souche installée dans l'entrée du tuyau et accrocher les boucles sur le crochet multiple avec l'extrémité libre attachée.

► **Fig.36**

► **Fig.37**

## Nettoyage du filtre en tissu

Nettoyez le filtre en tissu à intervalles réguliers, car un filtre en tissu obstrué peut entraîner une aspiration médiocre.

Éliminez la poussière en essuyant et secouant à la main à l'occasion le filtre en tissu.

► **Fig.38:** 1. Filtre en tissu

## Nettoyage du filtre à poudre (HEPA) et du préfiltre

### Accessoire en option

Nettoyez régulièrement le filtre à poudre, le préfiltre et l'amortisseur, car des filtres et un amortisseur obstrués peuvent entraîner une aspiration médiocre.

Éliminez régulièrement la poussière en essuyant et secouant à la main les filtres et l'amortisseur.

Lavez à l'occasion le filtre à poudre dans l'eau, rincez-le et séchez-le bien à l'ombre avant de le réutiliser. Ne lavez jamais les filtres dans un lave-linge.

► **Fig.39**

**NOTE** : Ne frottez pas ni ne grattez le filtre à poudre, le préfiltre ou l'amortisseur avec des objets durs comme une brosse ou une spatule.

**NOTE** : Les filtres s'usent avec le temps. Il est recommandé d'avoir des filtres de rechange.

# ACCESSOIRES EN OPTION

**⚠ ATTENTION** : Ces accessoires ou pièces complémentaires sont recommandés pour l'utilisation avec l'outil Makita spécifié dans ce mode d'emploi. L'utilisation de tout autre accessoire ou pièce complémentaire peut comporter un risque de blessure. N'utilisez les accessoires ou pièces complémentaires qu'aux fins auxquelles ils ont été conçus.

Certains accessoires peuvent ne pas être installés selon la combinaison des pièces.

Pour obtenir plus de détails sur ces accessoires, contactez votre centre d'entretien local Makita.

- Tuyau
- Manchons avant (22, 24, 38)
- Tuyau droit
- Tube prolongateur
- Suceur plat
- Brosse ronde
- Filtre à poudre, HEPA (pour les poussières sèches)
- Amortisseur
- Préfiltre
- Filtre à eau
- Filtre en tissu
- Raccord en forme de T
- Tube cintré
- Sac en polyéthylène
- Sac papier
- Adaptateur MAKPAC
- Batterie et chargeur Makita d'origine

**NOTE** : Il se peut que certains éléments de la liste soient compris dans l'emballage de l'outil en tant qu'accessoires standard. Ils peuvent varier d'un pays à l'autre.

## WARNUNG

- Diese Maschine sollte nicht von Personen (einschließlich Kindern) mit reduzierten körperlichen, sensorischen oder geistigen Fähigkeiten oder mangelnder Erfahrung und Kenntnis benutzt werden.
- Kinder sollten beaufsichtigt werden, um sicherzugehen, dass sie nicht mit dem Sauggerät spielen.
- Angaben zur Typenbezeichnung des Akkus finden Sie im Kapitel „TECHNISCHE DATEN“.
- Angaben zum Demontage- oder Installationsverfahren des Akkus finden Sie im Abschnitt „Installieren oder Demontieren des Akkus“.
- Entfernen Sie den Akku zum Entsorgen vom Werkzeug, und entsorgen Sie ihn an einem sicheren Ort. Befolgen Sie die örtlichen Vorschriften bezüglich der Entsorgung von Akkus.
- Soll das Werkzeug längere Zeit nicht benutzt werden, muss der Akku vom Werkzeug entfernt werden.
- Der Akku darf nicht kurzgeschlossen werden.
- Entsprechende Details der Vorsichtsmaßnahmen während der Benutzerwartung finden Sie im Kapitel „WARTUNG“.

## TECHNISCHE DATEN

Modell:		VC001GL	VC003GL
Standard-Filtertyp		Tuchfilter (für Trocken- und Nassstaub)	
Maximales Luftvolumen am Ende des Schlauchs (mit Schlauch BL4040, ø32 mm x 1,7 m)		2,7 m <sup>3</sup> /min	
Maximales Luftvolumen an der Turbine (mit BL4040)		4,2 m <sup>3</sup> /min	
Unterdruck (mit BL4040)		23 kPa	
Rückgewinnbare Kapazität	Staub	8 L	15 L
	Wasser	6 L	12 L
Abmessungen (L x B x H)		366 mm x 334 mm x 425 mm	366 mm x 334 mm x 475 mm
Nennspannung		Gleichstrom 36 V - 40 V max.	
Nettogewicht		8,1 - 11,2 kg	8,4 - 11,5 kg
Schutzgrad		IPX4	

- Wir behalten uns vor, Änderungen der technischen Daten im Zuge der Entwicklung und des technischen Fortschritts ohne vorherige Ankündigung vorzunehmen.
- Die technischen Daten und der Akku können von Land zu Land unterschiedlich sein.
- Das Gewicht schließt keine Zubehörteile, aber Akkus ein. Das niedrigste und höchste Kombinationsgewicht des Gerätes und der Akkus sind in der Tabelle angegeben.
- Für Nassstaub sind der Schwimmer und der Wasserfilter oder der Tuchfilter erforderlich.

## Zutreffende Akkus und Ladegeräte

Akku	BL4020 / BL4025 / BL4040* / BL4040F* / BL4050F* / BL4080F* * : Empfohlener Akku
Ladegerät	DC40RA / DC40RB / DC40RC / DC40WA

- Einige der oben aufgelisteten Akkus und Ladegeräte sind je nach Ihrem Wohngebiet eventuell nicht erhältlich.

**⚠️ WARNUNG:** Verwenden Sie nur die oben aufgeführten Akkus und Ladegeräte. Bei Verwendung irgendwelcher anderer Akkus und Ladegeräte besteht Verletzungs- und/oder Brandgefahr.

## Symbole

Nachfolgend werden Symbole beschrieben, die für das Gerät verwendet werden können. Machen Sie sich unbedingt vor der Benutzung mit ihrer Bedeutung vertraut.



Betriebsanleitung lesen.



Besondere Umsicht und Aufmerksamkeit erforderlich.



Warnung! Der Staubsauger kann gefährlichen Staub enthalten.



Stellen Sie sich niemals auf den Staubsauger.



Staubklasse L (leicht). Die Staubsauger sind in der Lage, Staub der Staubklasse L aufzusaugen. Befolgen Sie die Vorschriften Ihres Landes in Bezug auf Stäube sowie Sicherheit und Gesundheitsschutz am Arbeitsplatz.



Nur für EU-Länder  
Aufgrund des Vorhandenseins gefährlicher Komponenten in der Ausrüstung können Elektro- und Elektronik-Altgeräte, Akkumulatoren und Batterien sich negativ auf die Umwelt und die menschliche Gesundheit auswirken.  
Entsorgen Sie Elektro- und Elektronikgeräte oder Batterien nicht mit dem Hausmüll!  
In Übereinstimmung mit der Europäischen Richtlinie über Elektro- und Elektronik-Altgeräte, Akkumulatoren und Batterien, verbrauchte Akkumulatoren und Batterien sowie ihrer Anpassung an nationales Recht sollten Elektro-Altgeräte, Batterien und Akkumulatoren gemäß den Umweltschutzbestimmungen getrennt gelagert und zu einer getrennten Sammelstelle für Siedlungsabfälle geliefert werden.  
Dies wird durch das am Gerät angebrachte Symbol der durchgestrichenen Abfalltonne auf Rädern angezeigt.

## Vorgesehene Verwendung

Das Gerät ist für das Absaugen von Nass- und Trockenstaub vorgesehen. Das Gerät eignet sich für kommerziellen Einsatz, z. B. in Hotels, Schulen, Krankenhäusern, Fabriken, Läden, Büros und Mietunternehmen.

## Geräusch

Typischer A-bewerteter Geräuschpegel ermittelt gemäß EN60335-2-69:

### Modell VC001GL

Schalldruckpegel ( $L_{pA}$ ): 70 dB (A) oder weniger  
Messunsicherheit (K): 2,5 dB (A)

### Modell VC003GL

Schalldruckpegel ( $L_{pA}$ ): 70 dB (A) oder weniger  
Messunsicherheit (K): 2,5 dB (A)

Der Geräuschpegel kann während des Betriebs 80 dB (A) überschreiten.

**HINWEIS:** Der (Die) angegebene(n) Schallemissionswert(e) wurde(n) im Einklang mit der Standardprüfmethode gemessen und kann (können) für den Vergleich zwischen Werkzeugen herangezogen werden.

**HINWEIS:** Der (Die) angegebene(n) Schallemissionswert(e) kann (können) auch für eine Vorbewertung des Gefährdungsgrads verwendet werden.

**⚠️ WARNUNG:** Einen Gehörschutz tragen.

**⚠️ WARNUNG:** Die Schallemission während der tatsächlichen Benutzung des Elektrowerkzeugs kann je nach der Benutzungsweise des Werkzeugs, und speziell je nach der Art des bearbeiteten Werkstücks, von dem (den) angegebenen Wert(en) abweichen.

**⚠️ WARNUNG:** Identifizieren Sie Sicherheitsmaßnahmen zum Schutz des Benutzers anhand einer Schätzung des Gefährdungsgrads unter den tatsächlichen Benutzungsbedingungen (unter Berücksichtigung aller Phasen des Arbeitszyklus, wie z. B. Ausschalt- und Leerlaufzeiten des Werkzeugs zusätzlich zur Betriebszeit).

## Schwingungen

Schwingungsgesamtwert (Drei-Achsen-Vektorsumme) ermittelt gemäß EN60335-2-69:

### Modell VC001GL

Schwingungsemission ( $a_{h,M}$ ): 2,5  $m/s^2$  oder weniger  
Messunsicherheit (K): 1,5  $m/s^2$

### Modell VC003GL

Schwingungsemission ( $a_{h,M}$ ): 2,5  $m/s^2$  oder weniger  
Messunsicherheit (K): 1,5  $m/s^2$

**HINWEIS:** Der (Die) angegebene(n) Vibrationsgesamtwert(e) wurde(n) im Einklang mit der Standardprüfmethode gemessen und kann (können) für den Vergleich zwischen Werkzeugen herangezogen werden.

**HINWEIS:** Der (Die) angegebene(n) Vibrationsgesamtwert(e) kann (können) auch für eine Vorbewertung des Gefährdungsgrads verwendet werden.

**⚠️ WARNUNG:** Die Vibrationsemission während der tatsächlichen Benutzung des Elektrowerkzeugs kann je nach der Benutzungsweise des Werkzeugs, und speziell je nach der Art des bearbeiteten Werkstücks, von dem (den) angegebenen Emissionswert(en) abweichen.

**⚠️ WARNUNG:** Identifizieren Sie Sicherheitsmaßnahmen zum Schutz des Benutzers anhand einer Schätzung des Gefährdungsgrads unter den tatsächlichen Benutzungsbedingungen (unter Berücksichtigung aller Phasen des Arbeitszyklus, wie z. B. Ausschalt- und Leerlaufzeiten des Werkzeugs zusätzlich zur Betriebszeit).

## Konformitätserklärungen

### Nur für europäische Länder

Die Konformitätserklärungen sind in Anhang A dieser Betriebsanleitung enthalten.

# SICHERHEITSWARNUNGEN

## Sicherheitswarnungen für Akku-Sauggerät

**⚠️ WARNUNG: WICHTIG!** Alle Sicherheitswarnungen und Anweisungen **VOR GEBRAUCH AUFMERKSAM LESEN**. Eine Missachtung der Warnungen und Anweisungen kann zu einem elektrischen Schlag, Brand und/oder schweren Verletzungen führen.

1. Stellen Sie vor dem Gebrauch sicher, dass dieses Sauggerät nur von Personen benutzt wird, die im Gebrauch dieses Sauggerätes hinreichend unterrichtet worden sind.
2. Vor dem Gebrauch sollten Bediener Informationen, Anweisungen und Schulung im Gebrauch der Maschine und der Substanzen, für die sie zu benutzen ist, einschließlich der sicheren Methode zur Entnahme und Entsorgung des aufgesammelten Materials, erhalten.
3. Falls Schaum/Flüssigkeit herauskommt, schalten Sie das Gerät sofort aus.
4. Reinigen Sie die Wasserstand-Begrenzungsvorrichtung regelmäßig , und untersuchen Sie sie auf Anzeichen von Beschädigung.
5. Stellen Sie vor dem Gebrauch immer sicher, dass die Filter korrekt installiert sind. Benutzen Sie das Sauggerät nicht ohne eingesetzte Filter. Ersetzen Sie einen beschädigten Filter unverzüglich. Es wird empfohlen, einige Ersatzteile bereitzuhalten, da Filter Verbrauchsmaterial sind.
6. **UNBEABSICHTIGTES EINSCHALTEN VERMEIDEN**. Vergewissern Sie sich, dass der Schalter ausgeschaltet ist, wenn Sie einen oder mehrere Akku(s) einsetzen.
7. Versuchen Sie nicht, brennbare Materialien, Feuerwerk, brennende Zigaretten, heiße Asche, heiße Metallspäne und scharfe Gegenstände, wie etwa Rasierklingen, Nadeln, Glasscherben oder dergleichen aufzusaugen.
8. **BENUTZEN SIE DAS SAUGGERÄT NIEMALS IN DER NÄHE VON BENZIN, GAS, LACK, KLEBSTOFFEN ODER ANDEREN HOCH EXPLOSIVEN SUBSTANZEN**. Der Schalter erzeugt Funken beim Ein- und Ausschalten. Erbenso der Motorkollektor während des Betriebs. Es kann zu einer gefährlichen Explosion kommen.
9. Saugen Sie niemals giftige, krebserregende, brennbare oder andere Gefahrstoffe wie Asbest, Arsen, Barium, Beryllium, Blei, Pestizide oder sonstige gesundheitsgefährdende Materialien auf.
10. Stellen Sie das Sauggerät immer auf eine horizontale und ebene Fläche, um zu verhindern, dass es herunterfällt oder sich unbeabsichtigt bewegt.
11. Benutzen Sie das Sauggerät niemals im Freien bei Regen.
12. Für Finnland: Diese Maschine darf nicht im Freien bei niedrigen Temperaturen benutzt werden.
13. Benutzen Sie das Sauggerät nicht in der Nähe von Wärmequellen (Öfen usw.).
14. Wird die Abluft in den Raum zurückgeleitet, muss für eine angemessene Luftwechselrate im Raum gesorgt werden. Bezugnahme auf nationale Vorschriften ist notwendig.
15. **Blockieren Sie nicht den Saugeinlass/den Gebläsauslass/die Kühlluftöffnungen**. Diese Öffnungen gestatten eine Kühlung des Motors. Blockierung ist sorgfältig zu vermeiden, weil sonst der Motor wegen mangelnder Belüftung überhitzt.
16. Achten Sie stets auf sicheren Stand und gute Balance.
17. Vermeiden Sie Knicken, Ziehen oder Zertreten des Schlauchs.
18. Stellen Sie das Sauggerät sofort ab, wenn Sie während des Betriebs eine Leistungsver schlechterung oder etwas Ungewöhnliches bemerken.
19. **AKKU(S) ENTNEHMEN**. Bei Nichtgebrauch, vor der Wartung und beim Wechseln von Zubehör.
20. Reinigen und warten Sie das Sauggerät sofort nach jedem Gebrauch, um es in tadellosem Betriebszustand zu halten.
21. **SAUGGERÄT SORGFÄLTIG WARTEN**. Halten Sie das Sauggerät für bessere und sicherere Leistung sauber. Befolgen Sie die Anweisungen zum Auswechseln von Zubehör. Halten Sie die Handgriffe trocken, sauber und frei von Öl und Fett.
22. **GERÄT AUF BESCHÄDIGTE TEILE ÜBERPRÜFEN**. Bevor Sie das Sauggerät weiter benutzen, sollten Sie beschädigte Schutzvorrichtungen und Teile sorgfältig auf ihre Betriebsfähigkeit und Funktionstüchtigkeit hin überprüfen. Überprüfen Sie das Gerät auf Ausrichtung und Klemmen beweglicher Teile, Beschädigung von Teilen, Befestigungszustand und sonstige Mängel von Teilen, die seinen Betrieb beeinträchtigen können. Beschädigte Schutzvorrichtungen oder Teile sollten von einem autorisierten Service-Center ordnungsgemäß repariert oder ausgewechselt werden, wenn nicht anders in dieser Bedienungsanleitung angegeben. Lassen Sie defekte Schalter von einem autorisierten Service-Center auswechseln. Benutzen Sie das Sauggerät nicht, wenn es sich nicht mit dem Schalter ein- und ausschalten lässt.
23. Für Benutzerwartung muss die Maschine zerlegt, gereinigt und gewartet werden, soweit dies einigermaßen praktikabel ist, ohne ein Risiko für das Wartungspersonal und andere Personen zu verursachen.
24. Die Maschine ist mindestens einmal jährlich vom Hersteller oder einer unterwiesenen Person einer technischen Untersuchung zu



unterziehen, die z. B. aus der Überprüfung der Filter auf Beschädigung, der Luftdichtigkeit der Maschine und der einwandfreien Funktion des Steuermechanismus besteht.

25. Wenn Wartungs- oder Reparaturarbeiten ausgeführt werden, sind alle verunreinigten Artikel, die nicht zufriedenstellend gereinigt werden können, zu entsorgen; solche Artikel sind in undurchlässigen Beuteln im Einklang mit der geltenden Verordnung für die Entsorgung solcher Abfälle zu entsorgen.
26. ERSATZTEILE. Verwenden Sie bei der Wartung nur identische Ersatzteile.
27. UNBENUTZTES SAUGGERÄT LAGERN. Bei Nichtgebrauch sollte das Sauggerät in einem Innenraum gelagert werden.
28. Nassfilter und das Innere des Flüssigkeitsbehälters müssen vor der Lagerung getrocknet werden.
29. Behandeln Sie Ihr Sauggerät mit Sorgfalt. Grobe Behandlung kann eine Beschädigung des Sauggerätes verursachen, selbst wenn es noch so robust gebaut ist.
30. Versuchen Sie nicht, die Außen- oder Innenseite mit Waschbenzin, Verdünnern oder Reinigungsmitteln zu reinigen. Dadurch können Risse und Verfärbung verursacht werden.
31. Benutzen Sie das Sauggerät nicht in einem geschlossenen Raum, wo brennbare, explosive oder giftige Dämpfe von Lack auf Ölbasis, Lackverdünner, Benzin, bestimmten Mottenschutzmitteln usw. abgegeben werden, oder in Bereichen, wo brennbarer Staub vorhanden ist.
32. Betreiben Sie weder dieses noch andere Werkzeuge unter dem Einfluss von Medikamenten oder Alkohol.
33. Als Grundregel der Sicherheit sollten Sie stets eine Schutzbrille oder eine Sicherheitsbrille mit Seitenschützern verwenden.
34. Verwenden Sie eine Staubmaske bei staubigen Arbeitsbedingungen.
35. Diese Maschine sollte nicht von Personen (einschließlich Kindern) mit reduzierten körperlichen, sensorischen oder geistigen Fähigkeiten und mangelnder Erfahrung und Kenntnis benutzt werden.
36. Kinder sollten beaufsichtigt werden, um sicherzugehen, dass sie nicht mit dem Sauggerät spielen.
37. Fassen Sie Akku(s) und den Staubsauger niemals mit nassen Händen an.
38. Lassen Sie bei der Reinigung auf Treppen äußerste Vorsicht walten.
39. Benutzen Sie das Sauggerät nicht als Hocker oder Werkbank. Andernfalls kann die Maschine herunterfallen und Personenschäden verursachen.

#### Gebrauch und Pflege von Akkuwerkzeugen

1. Laden Sie den Akku nur mit dem vom Hersteller vorgeschriebenen Ladegerät. Ein Ladegerät, das für einen Akkutyp geeignet ist, kann eine Brandgefahr darstellen, wenn es mit

einem anderen Akku verwendet wird.

2. Benutzen Sie Elektrowerkzeuge nur mit den ausdrücklich vorgeschriebenen Akkus. Bei Verwendung irgendwelcher anderer Akkus besteht Verletzungs- und Brandgefahr.
3. Halten Sie den Akku bei Nichtgebrauch von anderen Metallgegenständen, wie z. B. Büroklammern, Münzen, Schlüsseln, Nägeln, Schrauben oder anderen kleinen Metallgegenständen, fern, welche die Kontakte kurzschließen können. Kurzschließen der Akkukontakte kann Verbrennungen oder einen Brand verursachen.
4. Bei Missbrauch kann Flüssigkeit aus dem Akku austreten. Vermeiden Sie Kontakt mit dieser Flüssigkeit. Falls Sie versehentlich mit der Flüssigkeit in Berührung kommen, spülen Sie die betroffenen Stellen mit Wasser ab. Falls die Flüssigkeit in die Augen gelangt, suchen Sie zusätzlich ärztliche Hilfe auf. Die vom Akku austretende Flüssigkeit kann Hautreizungen oder Verätzungen verursachen.
5. Verwenden Sie keinen Akku und auch kein Werkzeug, der (das) beschädigt oder modifiziert ist. Beschädigte oder modifizierte Akkus können unvorhersehbares Verhalten zeigen, das zu einem Brand, einer Explosion oder Verletzungsgefahr führen kann.
6. Setzen Sie einen Akku oder ein Werkzeug nicht Feuer oder übermäßigen Temperaturen aus. Bei Einwirkung von Feuer oder Temperaturen über 130 °C kann es zu einer Explosion kommen.
7. Befolgen Sie alle Ladeanweisungen, und laden Sie den Akku bzw. das Werkzeug nicht außerhalb des in den Anweisungen angegebenen Temperaturbereichs. Wird der Ladevorgang unsachgemäß oder bei Temperaturen außerhalb des angegebenen Bereichs durchgeführt, kann es zu einer Beschädigung des Akkus und erhöhter Brandgefahr kommen.

## DIESE ANWEISUNGEN AUFBEWAHREN.

**⚠️ WARNUNG:** Lassen Sie sich NICHT durch Bequemlichkeit oder Vertrautheit mit dem Produkt (durch wiederholten Gebrauch erworben) von der strikten Einhaltung der Sicherheitsregeln für das vorliegende Produkt abhalten. MISSBRAUCH oder Missachtung der Sicherheitsvorschriften in dieser Anleitung können schwere Verletzungen verursachen.

## Wichtige Sicherheitsanweisungen für Akku

1. Lesen Sie vor der Benutzung des Akkus alle Anweisungen und Warnhinweise, die an (1) Ladegerät, (2) Akku und (3) Akkuwerkzeug angebracht sind.
2. Unterlassen Sie Zerlegen oder Manipulieren des Akkus. Es kann sonst zu einem Brand, übermäßiger Hitzeentwicklung oder einer Explosion kommen.
3. Falls die Betriebszeit beträchtlich kürzer

geworden ist, stellen Sie den Betrieb sofort ein. Anderenfalls besteht die Gefahr von Überhitzung, möglichen Verbrennungen und sogar einer Explosion.

4. Falls Elektrolyt in Ihre Augen gelangt, waschen Sie sie mit sauberem Wasser aus, und begeben Sie sich unverzüglich in ärztliche Behandlung. Anderenfalls können Sie Ihre Sehkraft verlieren.
5. Der Akku darf nicht kurzgeschlossen werden:
  - (1) Die Kontakte dürfen nicht mit leitfähigem Material berührt werden.
  - (2) Lagern Sie den Akku nicht in einem Behälter zusammen mit anderen Metallgegenständen, wie z. B. Nägel, Münzen usw.
  - (3) Setzen Sie den Akku weder Wasser noch Regen aus.Ein Kurzschluss des Akkus verursacht starken Stromfluss, der Überhitzung, mögliche Verbrennungen und einen Defekt zur Folge haben kann.

6. Lagern und benutzen Sie das Werkzeug und den Akku nicht an Orten, an denen die Temperatur 50 °C erreichen oder überschreiten kann.
7. Versuchen Sie niemals, den Akku zu verbrennen, selbst wenn er stark beschädigt oder vollkommen verbraucht ist. Der Akku kann im Feuer explodieren.
8. Unterlassen Sie Nageln, Schneiden, Zerquetschen, Werfen, Fallenlassen des Akkus oder Schlagen des Akkus mit einem harten Gegenstand. Eine solche Handlung kann zu einem Brand, übermäßiger Hitzeentwicklung oder einer Explosion führen.

9. Benutzen Sie keine beschädigten Akkus.
10. Die enthaltenen Lithium-Ionen-Akkus unterliegen den Anforderungen der Gefahrgut-Gesetzgebung.

Für kommerzielle Transporte, z. B. durch Dritte oder Spediteure, müssen besondere Anforderungen zu Verpackung und Etikettierung beachtet werden.

Zur Vorbereitung des zu transportierenden Artikels ist eine Beratung durch einen Experten für Gefahrgut erforderlich. Bitte beachten Sie möglicherweise ausführlichere nationale Vorschriften. Überkleben oder verdecken Sie offene Kontakte, und verpacken Sie den Akku so, dass er sich in der Verpackung nicht umher bewegen kann.

11. Entfernen Sie den Akku zum Entsorgen vom Werkzeug, und entsorgen Sie ihn an einem sicheren Ort. Befolgen Sie die örtlichen Vorschriften bezüglich der Entsorgung von Akkus.
12. Verwenden Sie die Akkus nur mit den von Makita angegebenen Produkten. Das Einsetzen der Akkus in nicht konforme Produkte kann zu einem Brand, übermäßiger Hitzebildung, einer Explosion oder Auslaufen von Elektrolyt führen.
13. Soll das Werkzeug längere Zeit nicht benutzt werden, muss der Akku vom Werkzeug entfernt werden.
14. Bei und nach dem Gebrauch kann der Akku

heiß werden, was Verbrennungen oder Niedertemperaturverbrennungen verursachen kann. Beachten Sie die Handhabung von heißen Akkus.

15. Berühren Sie nicht den Anschlusskontakt des Werkzeugs unmittelbar nach dem Gebrauch, da er heiß genug werden kann, um Verbrennungen zu verursachen.
16. Achten Sie darauf, dass sich keine Späne, Staub oder Schmutz in den Anschlusskontakten, Löchern und Nuten des Akkus absetzen. Es könnte sonst zu Erhitzung, Brandauslösung, Bersten und Funktionsstörungen des Werkzeugs oder des Akkus kommen, was zu Verbrennungen oder Personenschäden führen kann.
17. Wenn das Werkzeug den Einsatz in der Nähe einer Hochspannungs-Stromleitung nicht unterstützt, benutzen Sie den Akku nicht in der Nähe einer Hochspannungs-Stromleitung. Dies kann zu einer Funktionsstörung oder Betriebsstörung des Werkzeugs oder des Akkus führen.
18. Halten Sie die Batterie von Kindern fern.

## DIESE ANWEISUNGEN AUFBEWAHREN.

**▲VORSICHT:** Verwenden Sie nur Original-Makita-Akkus. Die Verwendung von Nicht-Original-Makita-Akkus oder von Akkus, die abgeändert worden sind, kann zum Bersten des Akkus und daraus resultierenden Bränden, Personenschäden und Beschädigung führen. Außerdem wird dadurch die Makita-Garantie für das Makita-Werkzeug und -Ladegerät ungültig.

## Hinweise zur Aufrechterhaltung der maximalen Akku-Nutzungsdauer

1. Laden Sie den Akku, bevor er vollkommen erschöpft ist. Schalten Sie das Werkzeug stets aus, und laden Sie den Akku, wenn Sie ein Nachlassen der Werkzeugleistung feststellen.
2. Unterlassen Sie erneutes Laden eines voll aufgeladenen Akkus. Überladen führt zu einer Verkürzung der Nutzungsdauer des Akkus.
3. Laden Sie den Akku bei Raumtemperatur zwischen 10 – 40 °C. Lassen Sie einen heißen Akku abkühlen, bevor Sie ihn laden.
4. Wenn Sie den Akku nicht benutzen, nehmen Sie ihn vom Werkzeug oder Ladegerät ab.
5. Der Akku muss geladen werden, wenn er lange Zeit (länger als sechs Monate) nicht benutzt wird.

## BEZEICHNUNG DER TEILE

- Abb.1: 1. Kopfeinheit 2. Schwimmer  
3. Schwimmerkäfig 4. Tuchfilter 5. Tank

# FUNKTIONSBE- SCHREIBUNG

**⚠ VORSICHT:** Vergewissern Sie sich vor der Durchführung von Einstellungen oder Funktionsprüfungen des Gerätes stets, dass das Gerät ausgeschaltet ist und die Akkus abgenommen sind.

## Anbringen und Abnehmen des Akkus

**⚠ VORSICHT:** Schalten Sie das Gerät stets aus, bevor Sie die Akkus anbringen oder abnehmen.

**⚠ VORSICHT:** Halten Sie das Sauggerät und die Akkus beim Anbringen oder Abnehmen der Akkus sicher fest. Andernfalls kann es dazu führen, dass sie Ihnen aus der Hand rutschen, was zu Schäden am Sauggerät und an den Akkus oder zu Personenschäden führen kann.

**⚠ VORSICHT:** Achten Sie beim Öffnen oder Schließen der Akkuabdeckung darauf, dass Sie sich nicht die Finger klemmen. Andernfalls kann es zu Personenschäden kommen.

Das Sauggerät verfügt über zwei Akkuschächte. Mit zwei identischen Akkus, die parallel verwendet werden, können Sie die Laufzeit bei einer oder mehreren Verwendungen verlängern, ohne dass Sie zum Aufladen der Akkus anhalten müssen. Das Sauggerät arbeitet auch mit einem einzelnen Akku, so dass Sie je nach Ihren Bedürfnissen entweder mit zwei Akkus oder mit einem einzelnen Akku arbeiten können.

► **Abb.2:** 1. Linker Akkuschacht 2. Rechter Akkuschacht

### Mit zwei Akkus

Kontinuierlicher Antrieb mit zwei Akkus ermöglicht längere Laufzeit und effizientere Reinigung. Wenn der erste Akku leer wird, schaltet das Sauggerät automatisch auf die andere Stromquelle um, so dass es mit dem zweiten Akku weiterarbeitet.

**HINWEIS:** Der linke Akkuschacht (bei Frontansicht des Sauggerätes) hat Vorrang vor dem rechten Akkuschacht. Der rechte Akkuschacht wird nur dann als Stromquelle identifiziert, wenn entweder kein Akku im linken Akkuschacht installiert ist oder der Akku im linken Akkuschacht leer wird.

**HINWEIS:** Sie können den Akku aus dem linken Akkuschacht entnehmen und wieder aufladen, nachdem das Sauggerät seine Stromquelle vom linken auf den rechten Akkuschacht umgeschaltet hat, ohne den Betrieb zu unterbrechen. Um dem linken Akkuschacht nach dem Installieren eines aufgeladenen Akkus wieder Vorrang zu geben, starten Sie das Sauggerät neu.

### Mit einem einzelnen Akku

Es wird nur ein Akku als Stromquelle im linken oder rechten Akkuschacht benötigt. Das Sauggerät bestimmt je nach den Betriebsbedingungen automatisch, welcher Akkuschacht verfügbar ist.

## Installation und Deinstallation

Um die Akkus zu installieren, lösen Sie zuerst die Verriegelung, und öffnen Sie die Akkuabdeckung. Setzen Sie dann die Akkus ein.

► **Abb.3:** 1. Verschluss 2. Akkuabdeckung

Richten Sie die Führungsfedern der Akkus auf die Nuten des Akkugehäuses aus und schieben Sie sie ein. Schieben Sie sie bis zum Anschlag ein, bis sie mit einem leisen Klick einrasten.

Verriegeln Sie dann die Akkuabdeckung.

► **Abb.4:** 1. Akku 2. Knopf

Um die Akkus zu entfernen, schieben Sie sie aus dem Akkugehäuse, während Sie die Knöpfe vor den Akkus gedrückt halten.

**⚠ VORSICHT:** Setzen Sie den Akku immer vollständig ein. Anderenfalls kann er versehentlich aus dem Gerät herausfallen und Sie oder umstehende Personen verletzen.

**⚠ VORSICHT:** Unterlassen Sie Gewaltanwendung beim Anbringen des Akkus. Falls der Akku nicht reibungslos hineingleitet, ist er nicht richtig ausgerichtet.

**HINWEIS:** Wenn das Sauggerät die Stromquelle vom ersten auf den zweiten Akku umschaltet, muss der Betrieb möglicherweise vorübergehend unterbrochen werden, was einen geringfügigen Verlust der Saugleistung verursacht. Bitte beachten Sie, dass es sich nicht um eine Funktionsstörung handelt, so dass sich das Sauggerät erholt und den Betrieb nach der Pause sofort wieder aufnimmt.

## Anzeigen der Akku-Restkapazität

Drücken Sie die Prüftaste am Akku, um die Akku-Restkapazität anzuzeigen. Die Anzeigelampen leuchten wenige Sekunden lang auf.

► **Abb.5:** 1. Anzeigelampen 2. Prüftaste

Anzeigelampen			Restkapazität
Erleuchtet	Aus	Blinkend	
■	□	◐	75% bis 100%
■	■	□	50% bis 75%
■	□	□	25% bis 50%
■	□	□	0% bis 25%
◐	□	□	Den Akku aufladen.
■	■	□	Möglicherweise liegt eine Funktionsstörung im Akku vor.
□	□	■	

**HINWEIS:** Abhängig von den Benutzungsbedingungen und der Umgebungstemperatur kann die Anzeige geringfügig von der tatsächlichen Kapazität abweichen.

**HINWEIS:** Die erste (äußerste linke) Anzeigelampe blinkt, wenn das Akku-Schutzsystem aktiv ist.

## Akku-Anzeigen am Bedienfeld

Die Akku-Restkapazität kann jederzeit auf dem Bedienfeld abgelesen werden. Wenn Sie die Prüftaste drücken, zeigen die linke und rechte Anzeige den Ladezustand des Akkus entsprechend an.

► **Abb.6:** 1. Akku-Anzeigen 2. Prüftaste

► **Abb.7**

Status der Akku-Anzeige			Akku-Restkapazität
Ein	Aus	Blinkend	
			50% bis 100%
			20% bis 50%
			0% bis 20%
			Akku aufladen
			Kein Akku eingesetzt

**HINWEIS:** Die Akku-Anzeigen werden auch aktiviert, wenn das Saugergerät in Betrieb geht oder seine Stromquelle wechselt.

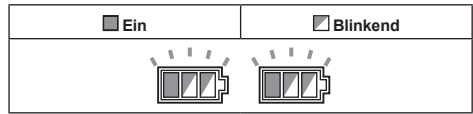
## Geräte-/Akku-Schutzsystem

Das Gerät ist mit einem Geräte-/Akku-Schutzsystem ausgestattet. Dieses System schaltet die Stromversorgung des Motors automatisch ab, um die Lebensdauer von Gerät und Akku zu verlängern. Das Gerät bleibt während des Betriebs automatisch stehen, wenn das Gerät oder der Akku einer der folgenden Bedingungen unterliegt:

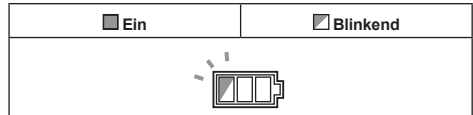
### Überlastschutz

Wird das Gerät/der Akku in einer Weise betrieben, die eine ungewöhnlich hohe Stromaufnahme bewirkt, bleibt das Gerät automatisch stehen. Schalten Sie in dieser Situation das Gerät aus, und brechen Sie die Anwendung ab, die eine Überlastung des Gerätes verursacht hat. Schalten Sie dann das Gerät wieder ein, um es neu zu starten.

## Überhitzungsschutz



Wenn das Gerät überhitzt ist, bleibt es automatisch stehen, und die Anzeigen für den linken und rechten Akku blinken. Lassen Sie das Gerät in dieser Situation abkühlen, bevor Sie es wieder einschalten.



Wenn der Akku überhitzt ist, bleibt das Gerät automatisch stehen, und eine der Anzeigen für einen überhitzten Akku blinkt. Lassen Sie den Akku in dieser Situation abkühlen, bevor Sie das Gerät wieder einschalten.

## Überentladungsschutz

Wenn die Akkukapazität niedrig wird, bleibt das Gerät automatisch stehen. Falls das Gerät nicht mit der Schalterbetätigung läuft, nehmen Sie die Akkus aus dem Gerät und laden Sie sie auf.

## Schutz gegen andere Ursachen

Das Schutzsystem ist auch für andere Ursachen ausgelegt, die eine Beschädigung des Gerätes verursachen könnten, und ermöglicht, dass das Gerät automatisch stehen bleibt. Führen Sie alle folgenden Schritte aus, um die Ursachen zu beseitigen, wenn das Gerät vorübergehend zum Stillstand gekommen ist oder im Betrieb stehen geblieben ist.

1. Schalten Sie das Gerät aus und dann wieder ein, um es neu zu starten.
2. Laden Sie den/die Akku(s) auf oder tauschen Sie ihn/sie gegen einen aufgeladenen Akku/aufgeladene Akkus aus.
3. Lassen Sie das Gerät und den/die Akku(s) abkühlen.

Falls die Wiederherstellung des Schutzsystems keine Besserung bringt, wenden Sie sich an Ihre lokale Makita-Kundendienststelle.

## Schalterfunktion

### Einschalten des Saugerätes

1. Drehen Sie den Bereitschaftsschalter auf die Position "I" (EIN), um das Saugergerät im Bereitschaftsmodus zu halten.
2. Drücken Sie die Ein-Aus-Taste. Um wieder in den Bereitschaftsmodus zu wechseln, drücken Sie erneut die Ein-Aus-Taste.

### Ausschalten des Saugerätes

Führen Sie einen der folgenden Schritte aus.

- Drücken Sie die Ein-Aus-Taste, um das Saugergerät wieder in den Bereitschaftsmodus zu versetzen, und stellen Sie dann den Bereitschaftsschalter auf die Position "O" (AUS).
- Stellen Sie den Bereitschaftsschalter auf die Position "O" (AUS).

## Einstellen der Saugkraft

Die Saugkraft kann an die jeweils anstehende Arbeit angepasst werden.

- Drehen Sie den Saugkraft-Einstellknopf nach links, um die Saugkraft zu verringern.
  - Drehen Sie den Saugkraft-Einstellknopf nach rechts, um die Saugkraft zu erhöhen.
- **Abb.8:** 1. Bereitschaftsschalter 2. Ein-Aus-Taste  
3. Saugkraft-Einstellknopf

## Saugstoppautomatik während des Nasssaugbetriebs

**⚠️ WARNUNG:** Benutzen Sie den Staubsauger nicht für längere Zeit, während der Schwimmer in Betrieb ist. Wird der Staubsauger längere Zeit benutzt, während der Schwimmer in Betrieb ist, kann es zu Überhitzung kommen, die in einer Verformung des Staubsaugers resultieren kann.

**⚠️ WARNUNG:** Saugen Sie keinen Schaum oder seifige Flüssigkeit auf. Es kann bewirken, dass Schaum aus dem Luftauslass austritt, bevor der Schwimmer arbeitet. Fortgesetzter Betrieb unter solchen Bedingungen kann einen elektrischen Schlag und eine Beschädigung des Sauggerätes verursachen.

Die Saugstopp-Automatikfunktion funktioniert nur, während das Sauggerät mit dem Schwimmer und dem Schwimmerkäfig verwendet wird.

Das Sauggerät besitzt einen Schwimmermechanismus, der Eindringen von Wasser in den Motor verhindert, wenn mehr als eine bestimmte Wassermenge aufgesaugt wird. Wenn der Tank voll ist und das Sauggerät kein Wasser mehr aufsaugt, schalten Sie das Sauggerät aus, und entleeren Sie den Tank.

## Verriegeln und Entriegeln der Laufrollen

Die hinteren Laufrollen können mit Stoppfern arretiert werden, um das Sauggerät zum Stillstand zu bringen. Senken Sie den Stopperhebel von Hand ab, um die Laufrolle zu arretieren, und heben Sie ihn an, um sie zu lösen.

- **Abb.9:** 1. Laufrolle 2. Stopperhebel 3. Entriegelte Stellung 4. Verriegelte Stellung

**HINWEIS:** Vergewissern Sie sich vor dem Bewegen des Sauggerätes, dass die Laufrolle entriegelt ist. Bewegen des Sauggerätes mit verriegelter Laufrolle kann eine Beschädigung der Laufrolle verursachen.

## Tragehandgriff

**⚠️ VORSICHT:** Heben und tragen Sie das Gerät mit der gebotenen Sorgfalt. Anderenfalls kann es zu Personenschäden oder Beschädigung des Gerätes kommen.

Halten Sie das Sauggerät beim Tragen am Handgriff an der Kopfeinheit. Der Handgriff ist bei Nichtgebrauch an der Kopfeinheit einklappbar.

- **Abb.10**

## MONTAGE

**⚠️ VORSICHT:** Vergewissern Sie sich vor der Ausführung von Arbeiten am Gerät stets, dass das Gerät ausgeschaltet ist und die Akkus abgenommen sind.

**⚠️ VORSICHT:** Tragen Sie während der Montage oder Wartung immer eine Staubmaske.

## Installieren des Pulverfilters (HEPA) und des Vorfilters (für Trockenstaub)

### Sonderzubehör

**⚠️ VORSICHT:** Saugen Sie niemals Wasser oder andere Flüssigkeiten oder Nasstaub auf, wenn Sie den Pulverfilter verwenden. Durch Aufsaugen solcher Substanzen kann der Pulverfilter beschädigt werden.

Zum Verwenden des Pulverfilters:

1. Lösen Sie die Schrauben, die den Schwimmerkäfig sichern, und entfernen Sie dann die Schrauben, den Schwimmerkäfig und den Schwimmer von der Kopfeinheit.

- **Abb.11:** 1. Schraube 2. Schwimmerkäfig  
3. Schwimmer 4. Kopfeinheit

2. Entfernen Sie den Tuchfilter aus dem Tank.

- **Abb.12:** 1. Tuchfilter 2. Tank

3. Setzen Sie den Vorfilter in den Tank ein, wobei Sie die Montagepositionsmarkierungen an Vorfilter und Tank ausrichten.

4. Setzen Sie den Dämpfer in den Vorfilter ein, und setzen Sie dann den Pulverfilter über den Dämpfer, wobei Sie die Montagepositionsmarkierungen auf dem Pulverfilter und dem Vorfilter ausrichten.

5. Montieren Sie die Kopfeinheit über dem Tank, und sichern Sie sie mit den Verriegelungsklinken.

- **Abb.13:** 1. Kopfeinheit 2. Pulverfilter (HEPA)  
3. Dämpfer 4. Vorfilter 5. Tank  
6. Montagepositionsmarkierung

**ANMERKUNG:** Stellen Sie vor der Benutzung des Pulverfilters sicher, dass Vorfilter und Dämpfer immer zusammen verwendet werden. Es ist nicht erlaubt, den Pulverfilter allein zu installieren.

## Installieren des Wasserfilters

### Sonderzubehör

**ANMERKUNG:** Saugen Sie niemals Wasser oder Nassstaub ohne den Schwimmer und den Tuchfilter oder Wasserfilter auf.

**ANMERKUNG:** Um Nassstaub aufzusaugen, stellen Sie sicher, dass Schwimmerkäfig und Schwimmer am Staubsauger installiert sind.

**ANMERKUNG:** Wenn Sie den Wasserfilter am Tank installieren, bringen Sie ihn fest an der Öffnung des Tanks an, so dass der Haken des Wasserfilters fest in die Tanköffnung eingreift und kein Spiel zwischen Wasserfilter und Tank besteht.

Um nur Wasser oder Nassstaub aufzusaugen, ist der Wasserfilter besser geeignet als der Tuchfilter. Wenn Sie den Wasserfilter installieren, richten Sie seine Montagepositionsmarkierung auf die Markierung am Tank aus.

- **Abb.14:** 1. Wasserfilter 2. Tank  
3. Montagepositionsmarkierung

**HINWEIS:** Es wird empfohlen, den Wasserfilter zu verwenden, wenn wiederholt große Wassermengen aufgesaugt werden. Anderenfalls kann die Saugleistung im Falle eines Tuchfilters reduziert werden.

## Einsetzen des Papierbeutels

### Sonderzubehör

**⚠️ WARNUNG:** Vergewissern Sie sich vor der Benutzung des Papierbeutels, dass der Tuchfilter oder der Vorfilter zusammen verwendet wird.

Wird der Tuchfilter/Vorfilter nicht zusammen mit dem Papierbeutel verwendet, können ungewöhnliche Geräusche und Hitze erzeugt werden, was zu einem Brand führen kann.

**ANMERKUNG:** Saugen Sie niemals Wasser oder andere Flüssigkeiten oder Nassstaub auf, wenn Sie den Papierbeutel verwenden. Durch Aufsaugen solcher Substanzen kann der Papierbeutel beschädigt werden.

**ANMERKUNG:** Vergewissern Sie sich bei Verwendung des Tuchfilters, dass der Schwimmer und der Schwimmerkäfig an der Kopfeinheit angebracht sind.

**ANMERKUNG:** Vergewissern Sie sich bei Verwendung des Vorfilters, dass der Pulverfilter und der Dämpfer zusammen verwendet werden.

1. Entfalten Sie einen Papierbeutel.
2. Richten Sie die Öffnung des Papierbeutels auf den Staubeinlass des Tanks aus.
3. Setzen Sie den Papierbeutel so in den Tank ein, dass seine Kartonöffnung in den Papierbeutelhalter eingehakt ist.

- **Abb.15:** 1. Papierbeutel 2. Kartonöffnung  
3. Papierbeutelhalter 4. Staubeinlass

## Installieren des Polyethylenbeutels

Mit einem im Tank installierten Polyethylenbeutel können Sie den Tank leicht entleeren, ohne sich die Hände schmutzig zu machen.

Legen Sie einen Polyethylenbeutel über den Tank und schieben Sie eine Seite der Oberkante des Beutels an seinem offenen Ende zwischen die Halterplatte und die Vorderwand des Tanks.

- **Abb.16:** 1. Halterplatte 2. Vorderwand des Tanks  
3. Polyethylenbeutel

Spitzen Sie die anderen oberen Kanten des Beutels nach außen über die oberen Ränder des Tanks. Legen Sie den Tuchfilter oder Vorfilter über den Polyethylenbeutel, um die Öffnung des Beutels sicher zu verschließen.

- **Abb.17:** 1. Tuchfilter / Vorfilter

**HINWEIS:** Ein im Fachhandel erhältlicher Polyethylenbeutel kann verwendet werden. Beutel mit einer Dicke von mindestens 0,04 mm werden empfohlen.

**HINWEIS:** Zu viel Staub kann den Beutel leicht zum Zerreißen bringen. Sammeln Sie daher nicht mehr Staub als die Hälfte des Fassungsvermögens des Beutels auf.

## Entleeren des Tanks mit Polyethylenbeutel

**⚠️ WARNUNG:** Vergewissern Sie sich vor dem Entleeren des Tanks immer, dass das Saugergerät ausgeschaltet ist und die Akkus abgenommen sind. Anderenfalls kann es zu einem elektrischen Schlag und schweren Personenschäden kommen.

**ANMERKUNG:** Schützen Sie den Schwimmerkäfig und Tank vor starken Stößen. Starke Stöße können die Teile verformen und beschädigen.

**ANMERKUNG:** Entleeren Sie den Tank mindestens einmal pro Tag, obwohl dies von der im Tank angesammelten Staubmenge abhängt. Anderenfalls verschlechtert sich die Saugkraft, und der Motor kann beschädigt werden.

**ANMERKUNG:** Fassen Sie beim Entleeren des Tanks nicht an die Haken oder Klinken. Das Anfassen der Haken oder Klinken kann deren Bruch verursachen.

Lösen Sie die Verriegelungsklinken, und heben Sie die Kopfeinheit vom Tank ab.

Schütteln Sie den Staub vom Tuchfilter oder Vorfilter ab, bevor Sie den Filter vom Tank abheben. Nehmen Sie dann den Polyethylenbeutel aus dem Tank, wobei Sie die Öffnung des Beutels mit der Hand verschließen.

- **Abb.18:** 1. Polyethylenbeutel 2. Tank

**HINWEIS:** Nehmen Sie den Polyethylenbeutel vorsichtig aus dem Tank, um zu vermeiden, dass er durch die Kanten im Tank zerkratzt und zerrissen wird.

**HINWEIS:** Entleeren Sie den Polyethylenbeutel, bevor er ganz voll wird. Zu viel Staub im Tank kann Zerreißen des Polyethylenbeutels verursachen.

## Installieren des Multi-Hakens

Verwenden Sie den Multi-Haken, um einen Schlauch, Zubehör und Anbauteile, die nicht verwendet werden, an Ort und Stelle zu halten, damit Sie sie gemäß Ihren Präferenzen schnell herausnehmen können.

► **Abb.19**

Setzen Sie den Multi-Haken auf die Montagebasis auf der Rückseite des Sauggerätes, und richten Sie die Schienen am Multi-Haken entlang den Nuten an der Montagebasis aus.

► **Abb.20:** 1. Multi-Haken 2. Montagebasis

## Installieren des MAKPAC-Adapters

### Sonderzubehör

Mit einem optionalen Adapter können anschließbare und stapelbare MAKPAC-Aufbewahrungsbehälter auf dem Sauggerät installiert werden. Die Behälter sind in vielen Größen und Ausführungen erhältlich, um Ihren Wünschen gerecht zu werden.

Setzen Sie den Haken der Montagebasis auf den Handgriff des Sauggerätes, wobei die Montagefläche nach oben zeigt, wenn der Handgriff in die geschlossene Position geklappt ist.

► **Abb.21:** 1. Montagebasishaken 2. Montagefläche 3. Handgriff

Montieren Sie den MAKPAC-Adapter an den Montagebasishaken, und sichern Sie die Teile mit vier mitgelieferten Schrauben.

► **Abb.22:** 1. MAKPAC-Adapter 2. Montagebasishaken 3. Schraube

Heben Sie den Druckbügel an, und ziehen Sie den Knopf fest, um die Installation der MAKPAC-Behälter am Sauggerät vorzubereiten.

► **Abb.23:** 1. Druckbügel 2. Knopf

**HINWEIS:** Einzelheiten zur Installation der MAKPAC-Behälter finden Sie in den Anweisungen, die mit dem MAKPAC-Adapter und den Behältern geliefert werden.

## Installieren des Schlauchs

**ANMERKUNG:** Biegen Sie den Schlauch niemals gewaltsam, und vermeiden Sie, auf ihn zu treten. Bewegen Sie das Sauggerät niemals durch Ziehen am Schlauch. Gewaltanwendung, Stampfen und Ziehen des Schlauchs können eine Beschädigung oder Verformung des Schlauchs verursachen.

**ANMERKUNG:** Wenn Sie größere Abfallstücke, wie z. B. Hobelspäne, Betonstaub oder ähnliche größere Abfallstücke aufsaugen, verwenden Sie den Schlauch mit 38 mm Innendurchmesser (Sonderzubehör). Bei Verwendung des Schlauchs mit 28 mm Innendurchmesser (Sonderzubehör) kann es zu Verstopfung und Beschädigung des Schlauchs kommen.

### Anschluss an das Sauggerät

Führen Sie das Schlauchende in den Staubeinlass (Schlaucheinlass) des Sauggerätes ein, und drehen Sie es dann im Uhrzeigersinn, bis es einrastet.

► **Abb.24:** 1. Schlauch 2. Staubeinlass (Schlaucheinlass)

### Anschluss an Ihre Arbeitsgeräte (länderspezifisch)

Durch Anschließen des Sauggerätes an alle verfügbaren Arbeitsgeräte, die mit dem Sauggerät kompatibel sind, funktioniert es als Staubabsauger für Ihre Elektrowerkzeuge.

Um ein Werkzeug an das Sauggerät anzuschließen, sind der dedizierte Schlauch und/oder zusätzliche Teile erforderlich. Je nach Ihrem Sauggerätemodell müssen Sie eventuell den Schlauch austauschen und/oder zusätzliche Teile vorbereiten.

Wählen Sie eine der Frontmanschetten oder Verbindungsstücke (Sonderzubehör), die für Ihr Werkzeugmodell am besten geeignet sind. Platzieren Sie die Manschetten bzw. das Verbindungsstück je nach Bedarf zwischen dem vorderen Ende des Sauggeräteschlauchs und einer Staubabsaugöffnung Ihres Werkzeugs.

► **Abb.25:** 1. Frontmanschetten oder Verbindungsstück 2. Sauggeräteschlauch 3. Elektrowerkzeug 4. Sauggerät

## Montieren und Demontieren von Sauggeräteaufsätzen

**⚠ VORSICHT:** Prüfen Sie nach der Anbringung eines Aufsatzes, ob er sicher angebracht ist. Falls der Aufsatz unvollständig angebracht ist, kann er sich lösen und Personenschäden verursachen.

## Anbringen der gebogenen Rohreinheit

### Sonderzubehör

**HINWEIS:** Sie brauchen dieses Verfahren nicht anzuwenden, wenn bei Ihrem Modell die gebogene Rohreinheit am Schlauch angebracht ist.

Die gebogene Rohreinheit wird verwendet, um das Verlängerungsrohr oder die Düse für Staubsaugen an dieses Produkt anzuschließen.

Wenn Sie dieses Produkt als Sauggerät benutzen wollen, bringen Sie die gebogene Rohreinheit am Schlauch an.

#### Für die gebogene Rohreinheit in Schraubausführung

Um sie anzubringen, schrauben Sie die Frontmanschette vom Schlauch ab, und befestigen Sie die Manschette der gebogenen Rohreinheit am Schlauch.

Um sie abzunehmen, lösen Sie die Manschette der gebogenen Rohreinheit vom Schlauch.

► **Abb.26:** 1. Schlauch 2. Gebogene Rohreinheit 3. Manschette

#### Für die gebogene Rohreinheit mit Schnappverschluss

Zum Anbringen führen Sie das Schlauchende in die gebogene Rohreinheit ein. Vergewissern Sie sich, dass die Nasen am Schlauchende in die Löcher der gebogenen Rohreinheit einrasten.

Zum Entfernen ziehen Sie die gebogene Rohreinheit, während Sie beide Zungen am Schlauchende drücken.

► **Abb.27:** 1. Schlauchende 2. Nase 3. Loch 4. Gebogene Rohreinheit

## Bei Verwendung des Aufsatzes ohne Verriegelungsfunktion

#### Sonderzubehör

Setzen Sie einen Aufsatz in den Saugeinlass des Sauggeräts ein, indem Sie ihn einschieben und von Hand festschrauben.

Drehen Sie den Aufsatz mit der Hand, und ziehen Sie ihn nach Gebrauch vom Saugeinlass ab.

► **Abb.28**

## Aufsätze mit Verriegelungsfunktion

#### Sonderzubehör

**ANMERKUNG:** Achten Sie beim Anbringen des Aufsatzes mit Verriegelungsfunktion darauf, dass der Entriegelungsknopf auf die Raste am Aufsatz ausgerichtet ist. Falls sie nicht ausgerichtet sind, wird der Aufsatz nicht verriegelt und kann sich vom Staubsauger lösen.

Stecken Sie einen Aufsatz in den Saugeinlass des Sauggerätes, indem Sie diese mit einem Klick zusammenschieben.

Um den Aufsatz zu entfernen, ziehen Sie ihn ab, während Sie den Entriegelungsknopf drücken.

► **Abb.29:** 1. Saugeinlass mit Verriegelungsfunktion 2. Entriegelungsknopf 3. Aufsatz mit Verriegelungsfunktion

**HINWEIS:** Ein Aufsatz mit Verriegelungsfunktion kann nur in den Saugeinlass mit Verriegelungsfunktion installiert werden.

► **Abb.30:** 1. Aufsatz mit Verriegelungsfunktion 2. Saugeinlass mit Verriegelungsfunktion 3. Saugeinlass ohne Verriegelungsfunktion

## Zusammenbauen von Düse und Saugrohr

#### Sonderzubehör

**HINWEIS:** Die Art der Düse und des Saugrohrs, die im Lieferumfang des Produkts enthalten sind, hängt vom jeweiligen Land ab. In einigen Ländern sind Düse und Saugrohr nicht im Lieferumfang enthalten.

Führen Sie die Düse bei gleichzeitigem Drehen in das Verlängerungsrohr ein.

► **Abb.31:** 1. Verlängerungsrohr 2. Flexible Gummidüse 3. Spitzdüse 4. T-Düse

**HINWEIS:** Durch Drehen der Düse beim Einführen kann die Düse sicher am Verlängerungsrohr angebracht werden.

**HINWEIS:** Für das Modell mit ø38-mm-Schlauch und Frontmanschette 38 bringen Sie die mitgelieferte Düse am gebogenen Aluminiumrohr / geraden Aluminiumrohr an.

Bei Verwendung der T-Düse für Fußboden/Teppich-Umschaltung können Sie den Modus der Oberfläche entsprechend umschalten.

— Fußboden-Modus: geeignet für eine glatte Oberfläche, z. B. einen Hartboden

— Teppich-Modus: geeignet für eine Unterlage, z. B. einen Teppich oder Läufer

► **Abb.32:** 1. Modus-Umschalttaste 2. Fußboden-Modus 3. Teppich-Modus

## Einstellen der Länge des Klemmknopf-Verlängerungsrohrs

#### Sonderzubehör

Ein Klemmknopf-Verlängerungsrohr kann für kürzere oder längere Längen kombiniert werden. Es ermöglicht die Reinigung schwer zugänglicher Bereiche und komfortable Positionierungsoptionen.

Ziehen Sie das Schieberohr ein und aus, um die Rohrlänge zu ändern, während Sie den Klemmknopf gedrückt halten.

Lassen Sie den Klemmknopf los, um das Schieberohr in der gewünschten Position zu fixieren.

► **Abb.33:** 1. Schieberohr 2. Klemmknopf

## WARTUNG

**⚠ VORSICHT:** Vergewissern Sie sich vor der Durchführung von Inspektions- oder Wartungsarbeiten stets, dass das Gerät ausgeschaltet ist und die Akkus abgenommen sind.

**ANMERKUNG:** Verwenden Sie auf keinen Fall Benzin, Waschbenzin, Verdünnern, Alkohol oder dergleichen. Solche Mittel können Verfärbung, Verformung oder Rissbildung verursachen.

Um die SICHERHEIT und ZUVERLÄSSIGKEIT dieses Produkts zu gewährleisten, sollten Reparaturen und andere Wartungs- oder Einstellarbeiten nur



von Makita-Vertragswerkstätten oder Makita-Kundendienstzentren unter ausschließlicher Verwendung von Makita-Originalersatzteilen ausgeführt werden.

## Aufbewahrung von Zubehörteilen

Nicht verwendetes Zubehör und Aufsätze, wie z. B. Düsen und Bürsten, können im Multi-Haken an der Rückseite des Sauggerätes befestigt und aufbewahrt werden.

► **Abb.34:** 1. Multi-Haken 2. Nicht verwendetes Zubehör und Aufsätze

Rohre (mit optionalem Stopper) können in den Rohrhalter gelegt werden, wenn das Sauggerät für kurze Zeit nicht verwendet wird.

► **Abb.35:** 1. Stopper (Sonderzubehör) 2. Rohrhalter

Ein Schlauch kann in großen Schlaufen um das Gehäuse oder den Handgriff des Sauggerätes gewickelt und aufbewahrt werden. Verbinden Sie seine beiden Enden zu Schlaufen, und hängen Sie die Schlaufen in den hochgeklappten Handgriff ein. Alternativ können Sie das Wurzelende im Schlaucheinlass installiert lassen und die Schlaufen mit einem angebundenes losen Ende an den Multi-Haken hängen.

► **Abb.36**

► **Abb.37**

## Reinigen des Tuchfilters

Reinigen Sie den Tuchfilter in regelmäßigen Abständen, da ein verstopfter Tuchfilter zu einer schlechten Saugleistung führen kann.

Wischen Sie den Tuchfilter gelegentlich mit der Hand ab und schütteln Sie den Staub ab.

► **Abb.38:** 1. Tuchfilter

## Reinigen des Pulverfilters (HEPA) und Vorfilters

### Sonderzubehör

Reinigen Sie den Pulverfilter, den Vorfilter und den Dämpfer in regelmäßigen Abständen, da verstopfte Filter und Dämpfer zu einer schlechten Saugleistung führen können.

Wischen Sie die Filter und den Dämpfer regelmäßig mit der Hand ab und schütteln Sie den Staub ab.

Waschen Sie den Pulverfilter gelegentlich in Wasser aus, spülen Sie ihn ab, und lassen Sie ihn vor Gebrauch im Schatten trocknen. Waschen Sie die Filter niemals in einer Waschmaschine.

► **Abb.39**

**HINWEIS:** Unterlassen Sie Abreiben oder Abkratzen des Pulverfilters, des Vorfilters oder des Dämpfers mit harten Gegenständen, wie z. B. einer Bürste und einer Kratze.

**HINWEIS:** Die Filter nutzen im Laufe der Zeit ab. Es ist empfehlenswert, Ersatzfilter bereitzuhalten.

## SONDERZUBEHÖR

**⚠ VORSICHT:** Die folgenden Zubehörteile oder Vorrichtungen werden für den Einsatz mit dem in dieser Anleitung beschriebenen Makita-Werkzeug empfohlen. Die Verwendung anderer Zubehörteile oder Vorrichtungen kann eine Verletzungsgefahr darstellen. Verwenden Sie Zubehörteile oder Vorrichtungen nur für ihren vorgesehenen Zweck.

Abhängig von der Kombination der Teile sind einige Zubehörteile möglicherweise nicht installiert. Wenn Sie weitere Einzelheiten bezüglich dieser Zubehörteile benötigen, wenden Sie sich bitte an Ihre Makita-Kundendienststelle.

- Schlauch
- Frontmanschetten (22, 24, 38)
- Gerades Rohr
- Verlängerungsrohr
- Spitzdüse
- Rundbürste
- Pulverfilter, HEPA (für Trockenstaub)
- Dämpfer
- Vorfilter
- Wasserfilter
- Tuchfilter
- T-Düse
- Gebogenes Rohr
- Polyethylenbeutel
- Papierbeutel
- MAKPAC-Adapter
- Original-Makita-Akku und -Ladegerät

**HINWEIS:** Manche Teile in der Liste können als Standardzubehör im Werkzeugsatz enthalten sein. Sie können von Land zu Land unterschiedlich sein.

## AVVERTENZA

- La presente macchina non è destinata all'utilizzo da parte di persone, inclusi i bambini, dalle capacità fisiche, sensoriali o mentali ridotte, o prive di esperienza e preparazione.
- I bambini vanno tenuti sotto controllo per accertarsi che non giochino con l'aspiratore.
- Per il riferimento sul tipo di batteria, vedere il capitolo "DATI TECNICI".
- Per istruzioni su come rimuovere o installare la batteria, vedere la sezione "Installazione o rimozione della cartuccia della batteria".
- Quando si intende smaltire la cartuccia della batteria, rimuoverla dall'utensile e smaltirla in un luogo sicuro. Attenersi alle normative locali relative allo smaltimento della batteria.
- Se l'utensile non viene utilizzato per un periodo di tempo prolungato, la batteria deve essere rimossa dall'utensile.
- Non cortocircuitare la cartuccia della batteria.
- Per i dettagli appropriati relativi alle precauzioni durante la manutenzione da parte dell'utente, vedere il capitolo "MANUTENZIONE".

## DATI TECNICI

Modello:		VC001GL	VC003GL
Tipo di filtro standard		Filtro in tessuto (per polveri asciutte e umide)	
Volume d'aria massimo all'estremità del tubo flessibile (con BL4040 e tubo flessibile da ø32 mm x 1,7 m)		2,7 m³/min	
Volume d'aria massimo alla turbina (con BL4040)		4,2 m³/min	
Pressione di vuoto (con BL4040)		23 kPa	
Capacità di recupero	Polveri	8 L	15 L
	Acqua	6 L	12 L
Dimensioni (L x P x A)		366 mm x 334 mm x 425 mm	366 mm x 334 mm x 475 mm
Tensione nominale		C.C. Da 36 V a 40 V max	
Peso netto		8,1 - 11,2 kg	8,4 - 11,5 kg
Grado di protezione		IPX4	

- A causa del nostro programma continuativo di ricerca e sviluppo, i dati tecnici sono soggetti a modifiche senza preavviso.
- I dati tecnici e la cartuccia della batteria potrebbero differire da nazione a nazione.
- Il peso non comprende gli accessori ma comprende la cartuccia della batteria o le cartucce delle batterie. Nella tabella sono indicati il peso combinato minimo e massimo dell'apparecchio insieme alla cartuccia della batteria o alle cartucce delle batterie.
- Per polveri umide, sono richiesti il galleggiante e il filtro dell'acqua o il filtro in tessuto.

## Cartuccia della batteria e caricabatterie applicabili

Cartuccia della batteria	BL4020 / BL4025 / BL4040* / BL4040F* / BL4050F* / BL4080F* * : Batteria consigliata
Caricabatterie	DC40RA / DC40RB / DC40RC / DC40WA

- Alcune cartucce delle batterie e alcuni caricabatterie elencati sopra potrebbero non essere disponibili a seconda della propria area geografica di residenza.

**⚠ AVVERTIMENTO:** Utilizzare solo le cartucce delle batterie e i caricabatterie elencati sopra. L'utilizzo di altre cartucce delle batterie e di altri caricabatterie potrebbe causare lesioni personali e/o un incendio.

## Simboli

Le figure seguenti mostrano i simboli utilizzati per l'apparecchio. Accertarsi di comprenderne il significato prima dell'uso.



Leggere il manuale d'uso.



Adottare cura e attenzione particolari.



Avvertenza! L'aspiratore potrebbe contenere polveri pericolose.



Non salire mai sull'aspiratore.



Classe di polveri L (leggere). Gli aspiratori sono in grado di raccogliere polveri di classe L. Attenersi alle normative della propria nazione relative alle polveri e alla salute e alla sicurezza sul lavoro.



Solo per le nazioni dell'EU  
A causa della presenza di componenti pericolosi nelle apparecchiature, i rifiuti di apparecchiature elettriche ed elettroniche, accumulatori e batterie potrebbero produrre un impatto negativo sull'ambiente e sulla salute umana.  
Non smaltire elettrodomestici elettrici ed elettronici o batterie insieme ai rifiuti domestici!  
In conformità alla direttiva europea sui rifiuti di apparecchiature elettriche ed elettroniche (RAEE), sugli accumulatori e le batterie, e al suo adattamento alle normative nazionali, i rifiuti di apparecchiature elettriche ed elettroniche, batterie e accumulatori vanno conservati separatamente e conferiti a un punto di raccolta separato per i rifiuti comunali, operando in conformità alle normative per la protezione dell'ambiente.  
Tale requisito viene indicato mediante il simbolo del bidone della spazzatura con ruote barrato apposto sull'apparecchio.

## Utilizzo previsto

Questo elettrodomestico è destinato alla raccolta sia di polveri umide che di polveri secche. L'elettrodomestico è idoneo a usi commerciali, ad esempio in hotel, scuole, ospedali, fabbriche, negozi, uffici e noleggi.

## Rumore

Livello tipico di rumore pesato A determinato in base allo standard EN60335-2-69:

### Modello VC001GL

Livello di pressione sonora ( $L_{pA}$ ): 70 dB (A) o inferiore  
Incertezza (K): 2,5 dB (A)

### Modello VC003GL

Livello di pressione sonora ( $L_{pA}$ ): 70 dB (A) o inferiore  
Incertezza (K): 2,5 dB (A)

Il livello del rumore nelle condizioni di lavoro può superare gli 80 dB (A).

**NOTA:** Il valore o i valori dichiarati delle emissioni di rumori sono stati misurati in conformità a un metodo standard di verifica, e possono essere utilizzati per confrontare un utensile con un altro.

**NOTA:** Il valore o i valori dichiarati delle emissioni di rumori possono venire utilizzati anche per una valutazione preliminare dell'esposizione.

**AVVERTIMENTO:** Indossare protezioni per le orecchie.

**AVVERTIMENTO:** L'emissione di rumori durante l'utilizzo effettivo dell'utensile elettrico può variare rispetto al valore o ai valori dichiarati, a seconda dei modi in cui viene utilizzato l'utensile e specialmente a seconda di che tipo di pezzo venga lavorato.

**AVVERTIMENTO:** Accertarsi di identificare misure di sicurezza per la protezione dell'operatore che siano basate su una stima dell'esposizione nelle condizioni effettive di utilizzo (tenendo conto di tutte le parti del ciclo operativo, ad esempio del numero di spegnimenti dell'utensile e di quando giri a vuoto, oltre al tempo di attivazione).

## Vibrazioni

Valore totale delle vibrazioni (somma vettoriale triassiale) determinato in base allo standard EN60335-2-69:

### Modello VC001GL

Emissione di vibrazioni ( $a_{h,M}$ ): 2,5 m/s<sup>2</sup> o inferiore  
Incertezza (K): 1,5 m/s<sup>2</sup>

### Modello VC003GL

Emissione di vibrazioni ( $a_{h,M}$ ): 2,5 m/s<sup>2</sup> o inferiore  
Incertezza (K): 1,5 m/s<sup>2</sup>

**NOTA:** Il valore o i valori complessivi delle vibrazioni dichiarati sono stati misurati in conformità a un metodo standard di verifica, e possono essere utilizzati per confrontare un utensile con un altro.

**NOTA:** Il valore o i valori complessivi delle vibrazioni dichiarati possono venire utilizzati anche per una valutazione preliminare dell'esposizione.

**AVVERTIMENTO:** L'emissione delle vibrazioni durante l'utilizzo effettivo dell'utensile elettrico può variare rispetto al valore o ai valori dichiarati, a seconda dei modi in cui viene utilizzato l'utensile, specialmente a seconda di che tipo di pezzo venga lavorato.

**AVVERTIMENTO:** Accertarsi di identificare misure di sicurezza per la protezione dell'operatore che siano basate su una stima dell'esposizione nelle condizioni effettive di utilizzo (tenendo conto di tutte le parti del ciclo operativo, ad esempio del numero di spegnimenti dell'utensile e di quando giri a vuoto, oltre al tempo di attivazione).

## Dichiarazioni di conformità

*Solo per i paesi europei*

Le Dichiarazioni di conformità sono incluse nell'Allegato A al presente manuale d'uso.

# AVVERTENZE DI SICUREZZA

## Avvertenze di sicurezza dell'aspirapolvere a batteria

**⚠ AVVERTIMENTO: IMPORTANTE! LEGGERE CON ATTENZIONE tutte le avvertenze di sicurezza e tutte le istruzioni PRIMA DELL'USO.** La mancata osservanza delle avvertenze e delle istruzioni potrebbe risultare in scosse elettriche, incendi e/o gravi lesioni personali.

1. Prima dell'uso, accertarsi che il presente aspiratore venga utilizzato esclusivamente da personale che sia stato istruito in modo adeguato sull'utilizzo del presente aspiratore.
2. Prima dell'uso, è necessario fornire agli operatori informazioni, istruzioni e addestramento sull'utilizzo della macchina e delle sostanze per le quali deve essere utilizzata, incluso il metodo sicuro di rimozione e smaltimento dei materiali raccolti.
3. In caso di fuoriuscita di schiuma/liquido, spegnere immediatamente l'apparecchio.
4. Pulire a intervalli regolari il dispositivo di limitazione del livello dell'acqua e ispezionarlo alla ricerca di segni di danneggiamento.
5. Prima dell'uso, accertarsi sempre che i filtri siano installati correttamente. Non utilizzare l'aspiratore senza i filtri installati. Sostituire immediatamente un filtro danneggiato. Si consiglia di procurarsi dei ricambi, in quanto i filtri sono articoli consumabili.
6. EVITARE L'AVVIO ACCIDENTALE. Accertarsi che l'interruttore sia in posizione OFF (spento) durante l'installazione della/delle batterie/le.
7. Non tentare di raccogliere materiali infiammabili, fuochi d'artificio, sigarette accese, ceneri calde, schegge di metallo roventi e materiali affilati, quali rasoi, aghi, vetri rotti o simili.
8. NON UTILIZZARE MAI L'ASPIRATORE IN PROSSIMITÀ DI BENZINA, GAS, VERNICI, ADESIVI O ALTRE SOSTANZE ALTAMENTE ESPLOSIVE. L'interruttore emette delle scintille quando viene attivato e disattivato. Anche il commutatore del motore emette scintille durante l'uso. Di conseguenza, potrebbe verificarsi un'esplosione pericolosa.
9. Non aspirare mai materiali tossici, cancerogeni, combustibili o altri materiali pericolosi quali amianto, arsenico, bario, berillio, piombo, pesticidi o altri materiali nocivi.
10. Collocare sempre l'aspiratore su una superficie piana orizzontale, per evitarne la caduta o lo spostamento accidentali.
11. Non utilizzare mai l'aspiratore all'aperto sotto la pioggia.
12. Per la Finlandia, questa macchina non va utilizzata all'aperto a basse temperature.
13. Non utilizzare in prossimità di fonti di calore (cucine, e così via).
14. Qualora l'aria di scarico ritorni nella stanza, è necessario provvedere al ricambio dell'aria nella stanza con una frequenza adeguata. Se necessario, fare riferimento alle normative nazionali.
15. Non ostruire le feritoie della presa di aspirazione, dell'apertura di uscita o di raffreddamento. Tali feritoie consentono il raffreddamento del motore. Le ostruzioni vanno evitate con cura; in caso contrario, il motore si brucia a causa della mancanza di ventilazione.
16. Mantenere sempre un corretto appoggio sui piedi e l'equilibrio.
17. Non piegare, tirare o calpestare il tubo flessibile.
18. Arrestare immediatamente l'aspiratore qualora si notino prestazioni scadenti o qualsiasi anomalia durante l'uso.
19. RIMUOVERE LA/LE BATTERIA/E quando non si utilizza l'apparecchio, prima di interventi di assistenza e quando si intende sostituire gli accessori.
20. Pulire e sottoporre a manutenzione l'aspiratore subito dopo ciascun utilizzo per mantenerlo in condizioni operative ottimali.
21. SOTTOPORRE A MANUTENZIONE L'ASPIRATORE CON CURA. Mantenere l'aspiratore pulito per prestazioni migliori e più sicure. Seguire le istruzioni per la sostituzione degli accessori. Mantenere le maniglie pulite, asciutte e prive di olio e grasso.
22. CONTROLLARE L'EVENTUALE PRESENZA DI PARTI DANNEGGIATE. Prima di utilizzare ulteriormente l'aspiratore, controllare con cura protezioni o altre parti che siano danneggiate per accertarsi che funzionino correttamente e che svolgano la funzione a cui sono destinate. Controllare l'allineamento delle parti mobili, la presenza di eventuali inceppamenti delle parti mobili o rottura dei componenti, il montaggio ed eventuali altre condizioni che potrebbero influenzare il funzionamento. Una protezione o un'altra parte che siano danneggiate vanno riparate correttamente o sostituite da un centro di assistenza autorizzato, se non diversamente indicato altrove nel presente manuale di istruzioni. Far sostituire gli interruttori difettosi da un centro di assistenza autorizzato. Non utilizzare l'aspiratore qualora l'interruttore non consenta di accenderlo e spegnerlo.
23. Per la manutenzione eseguita dall'utente, la macchina va smantellata, pulita e sottoposta a manutenzione, entro i limiti ragionevolmente praticabili, senza causare rischi al personale di manutenzione e ad altri.
24. Almeno una volta all'anno, il produttore o una persona appositamente preparata devono sottoporre la macchina a un'ispezione tecnica che comprenda, ad esempio, l'ispezione dei filtri alla ricerca di eventuali danni, l'ermeticità della macchina e il funzionamento corretto del meccanismo di controllo.
25. Quando si intende eseguire operazioni di manutenzione o di riparazione, tutti gli elementi contaminati che non possano venire

puliti in modo soddisfacente devono essere smaltiti; tali elementi vanno smaltiti in sacchetti impenetrabili, in conformità a qualsiasi normativa corrente relativa allo smaltimento di tali rifiuti.

26. **PEZZI DI RICAMBIO.** Quando si effettuano interventi di assistenza, utilizzare esclusivamente pezzi di ricambio identici.
27. **RIPORRE L'ASPIRATORE QUANDO NON VIENE UTILIZZATO.** Quando l'aspiratore non è in uso, dovrebbe venire riposto al chiuso.
28. I filtri per liquidi e la parte interna del contenitore per liquidi vanno asciugati prima di conservarli.
29. **Maneggiare con delicatezza l'aspiratore.** Anche l'aspiratore più robusto può rompersi a causa dell'incuria nel maneggiarlo.
30. **Non tentare di pulire la superficie esterna o interna con benzina, solventi o prodotti chimici di pulizia.** In caso contrario, si potrebbero causare spaccature e scolorimenti.
31. **Non utilizzare l'aspiratore in spazi chiusi in cui siano presenti emissioni di vapori infiammabili, esplosivi o tossici** dovute a vernici a olio, diluenti per vernici, benzina, alcune sostanze per trattamenti antitarmici, e così via, o in aree in cui siano presenti polveri infiammabili.
32. **Non utilizzare questo utensile o altri utensili sotto l'effetto di droghe o alcolici.**
33. **Come regola di base per la sicurezza, utilizzare occhiali oppure occhiali di sicurezza con paraocchi laterali.**
34. **Utilizzare una maschera antipolvere in condizioni di lavoro che presentino polveri.**
35. **La presente macchina non è destinata all'utilizzo da parte di persone, inclusi i bambini, dalle capacità fisiche, sensoriali o mentali ridotte, o prive di esperienza e preparazione.**
36. **I bambini vanno tenuti sotto controllo per accertarsi che non giochino con l'aspiratore.**
37. **Non maneggiare mai la/le batteria/e e l'aspiratore con le mani bagnate.**
38. **Adottare estrema cautela durante la pulizia delle scale.**
39. **Non utilizzare l'aspiratore come sgabello o piano di lavoro. In caso contrario, la macchina potrebbe cadere, causando lesioni personali.**

#### Uso e manutenzione degli strumenti a batterie

1. **Ricaricare solo con il caricabatterie specificato dal produttore.** Un caricabatterie appropriato per un tipo di batteria potrebbe creare un rischio di incendio, se utilizzato con un'altra batteria.
2. **Utilizzare gli utensili elettrici solo con le batterie specificamente designate.** L'uso di qualsiasi altra batteria potrebbe creare un rischio di lesioni personali e incendi.
3. **Quando la batteria non è in uso, tenerla lontana da altri oggetti metallici, quali graffette, monete, chiavi, chiodi, viti o altri piccoli oggetti metallici, che potrebbero fare contatto tra terminali diversi.** Il cortocircuito dei terminali della batteria può causare ustioni o incendi.
4. **In condizioni di uso improprio, la batteria potrebbe emettere un liquido: evitare il**

contatto con tale liquido. Qualora si verifici un contatto accidentale con il liquido, lavare abbondantemente con acqua. Qualora il liquido entri in contatto con gli occhi, richiedere anche assistenza medica. Il liquido espulso dalla batteria può causare irritazioni o ustioni.

5. **Non utilizzare una batteria o un utensile che siano danneggiati o che siano stati modificati.** Batterie danneggiate o modificate potrebbero mostrare un comportamento imprevedibile che può risultare in incendi, esplosioni o nel rischio di lesioni personali.
6. **Non esporre una batteria o un utensile al fuoco o a temperature eccessive.** L'esposizione al fuoco o a temperature superiori ai 130 °C potrebbe causare un'esplosione.
7. **Attenersi a tutte le istruzioni relative alla carica e non caricare la batteria o l'utensile al di fuori della gamma di temperature specificata nelle istruzioni.** Una carica inappropriata o a temperatura al di fuori della gamma specificata potrebbe danneggiare la batteria e incrementare il rischio di incendio.

## CONSERVARE LE PRESENTI ISTRUZIONI.

**AVVERTIMENTO:** NON lasciare che la comodità o la familiarità d'uso con il prodotto (acquisita con l'uso ripetuto) sostituiscano la stretta osservanza delle norme di sicurezza. L'USO IMPROPRIO o la mancata osservanza delle norme di sicurezza riportate nel presente manuale manuale di istruzioni potrebbero causare lesioni personali gravi.

## Istruzioni di sicurezza importanti per la cartuccia della batteria

1. **Prima di utilizzare la cartuccia della batteria, leggere tutte le istruzioni e le avvertenze riportate (1) sul caricabatteria, (2) sulla batteria e (3) sul prodotto che utilizza la batteria.**
2. **Non smantellare né manomettere la cartuccia della batteria.** In caso contrario, si potrebbe causare un incendio, calore eccessivo o un'esplosione.
3. **Qualora il tempo di utilizzo si riduca eccessivamente, interrompere immediatamente l'utilizzo dell'utensile.** In caso contrario, si può incorrere nel rischio di surriscaldamento, possibili ustioni e persino un'esplosione.
4. **Qualora l'elettrolita entri in contatto con gli occhi, sciacquarli con acqua pulita e richiedere immediatamente assistenza medica.** Questa eventualità può risultare nella perdita della vista.
5. **Non cortocircuitare la cartuccia della batteria:**
  - (1) **Non toccare i terminali con alcun materiale conduttivo.**
  - (2) **Evitare di conservare la cartuccia della batteria in un contenitore insieme ad altri oggetti metallici quali chiodi, monete, e così via.**
  - (3) **Non esporre la cartuccia della batteria**

all'acqua o alla pioggia.

Un cortocircuito della batteria può causare un grande flusso di corrente, un surriscaldamento, possibili ustioni e persino un guasto.

6. Non conservare e utilizzare l'utensile e la cartuccia della batteria in ubicazioni in cui la temperatura possa raggiungere o superare i 50 °C.
7. Non incenerire la cartuccia della batteria anche qualora sia gravemente danneggiata o completamente esaurita. La cartuccia della batteria può esplodere se a contatto con il fuoco.
8. Non inchiodare, tagliare, schiacciare, lanciare o far cadere la cartuccia della batteria, né farla urtare con forza contro un oggetto duro. Questi comportamenti potrebbero risultare in un incendio, calore eccessivo o un'esplosione.
9. Non utilizzare una batteria danneggiata.
10. Le batterie a ioni di litio contenute sono soggette ai requisiti del regolamento sul trasporto di merci pericolose (Dangerous Goods Legislation).  
Per trasporti commerciali, ad esempio da parte di terzi o spedizionieri, è necessario osservare dei requisiti speciali sull'imballaggio e sull'etichetta. Per la preparazione dell'articolo da spedire, è richiesta la consulenza di un esperto in materiali pericolosi. Attenersi anche alle normative nazionali, che potrebbero essere più dettagliate. Nastrare o coprire i contatti aperti e imballare la batteria in modo tale che non si possa muovere liberamente all'interno dell'imballaggio.
11. Quando si intende smaltire la cartuccia della batteria, rimuoverla dall'utensile e smaltirla in un luogo sicuro. Attenersi alle normative locali relative allo smaltimento della batteria.
12. Utilizzare le batterie esclusivamente con i prodotti specificati da Makita. L'installazione delle batterie in prodotti non compatibili potrebbe risultare in incendi, calore eccessivo, esplosioni o perdite di liquido elettrolitico.
13. Se l'utensile non viene utilizzato per un periodo di tempo prolungato, la batteria deve essere rimossa dall'utensile.
14. Durante e dopo l'uso, la cartuccia della batteria potrebbe assorbire calore, che può causare ustioni o ustioni a bassa temperatura. Fare attenzione a come si maneggiano le cartucce delle batterie estremamente calde.
15. Non toccare i terminali dell'utensile subito dopo l'uso, in quanto potrebbero diventare estremamente caldi al punto da causare ustioni.
16. Evitare di far incastrare schegge, polveri o terreno nei terminali, nei fori e nelle scanalature della cartuccia della batteria. In caso contrario, l'utensile o la cartuccia della batteria potrebbero riscaldarsi, prendere fuoco, scoppiare o guastarsi, causando ustioni o lesioni personali.
17. A meno che l'utensile supporti l'uso in prossimità di linee elettriche ad alta tensione, non utilizzare la cartuccia della batteria in prossimità di linee elettriche ad alta tensione. In caso contrario, si potrebbe causare un malfunzionamento o la rottura dell'utensile o della cartuccia

della batteria.

18. Tenere la batteria lontana dai bambini.

## CONSERVARE LE PRESENTI ISTRUZIONI.

**ATTENZIONE:** Utilizzare solo batterie originali Makita. L'utilizzo di batterie Makita non originali, o di batterie che siano state alterate, potrebbe risultare nello scoppio della batteria, causando incendi, lesioni personali e danni. Inoltre, ciò potrebbe invalidare la garanzia Makita per l'utensile e il caricabatterie Makita.

## Suggerimenti per preservare la durata massima della batteria

1. Caricare la cartuccia della batteria prima che si scarichi completamente. Smettere sempre di utilizzare l'utensile e caricare la cartuccia della batteria quando si nota che la potenza dell'utensile è diminuita.
2. Non ricaricare mai una cartuccia della batteria completamente carica. La sovraccarica riduce la vita utile della batteria.
3. Caricare la cartuccia della batteria a una temperatura ambiente compresa tra 10 °C e 40 °C. Lasciar raffreddare una cartuccia della batteria prima di caricarla.
4. Quando non si utilizza la cartuccia della batteria, rimuoverla dall'utensile o dal caricabatterie.
5. Caricare la cartuccia della batteria se non la si è utilizzata per un periodo di tempo prolungato (più di sei mesi).

## DESCRIZIONE DELLE PARTI

► Fig.1: 1. Unità di testa 2. Galleggiante 3. Gabbia del galleggiante 4. Filtro in tessuto 5. Serbatoio

## DESCRIZIONE DELLE FUNZIONI

**ATTENZIONE:** Accertarsi sempre che l'elettrodomestico sia spento e che le cartucce delle batterie siano state rimosse, prima di regolare o di controllare il funzionamento dell'elettrodomestico.

## Installazione o rimozione della cartuccia della batteria

**⚠ATTENZIONE:** Spegnerne sempre l'elettrodomestico prima di installare o rimuovere le cartucce delle batterie.

**⚠ATTENZIONE:** Quando si intende installare o rimuovere le cartucce delle batterie, mantenere saldamente l'aspiratore e le cartucce delle batterie. In caso contrario, si potrebbe farle scivolare dalle mani, causando danni all'aspiratore e alle cartucce delle batterie stesse o lesioni personali.

**⚠ATTENZIONE:** Fare attenzione a non far restare incastrate le dita durante l'apertura o la chiusura dello sportellino delle batterie. In caso contrario, si potrebbero causare lesioni personali.

L'aspiratore dispone di due alloggiamenti per batterie. Con due batterie identiche in parallelo, è possibile prolungare il tempo di funzionamento in uno o più utilizzi senza doversi arrestare per ricaricare le batterie. L'aspiratore funziona anche con una singola batteria, pertanto è possibile scegliere tra doppia batteria o singola batteria a seconda delle proprie esigenze.

► **Fig.2:** 1. Alloggiamento sinistro della batteria  
2. Alloggiamento destro della batteria

### Con doppia batteria

Il funzionamento continuo con due batterie consente un tempo di esercizio più lungo e una pulizia più efficiente. Quando la prima batteria si sta scaricando, l'aspiratore commuta automaticamente una fonte di alimentazione, pertanto continua a funzionare con la seconda batteria.

**NOTA:** L'alloggiamento sinistro della batteria (guardando il lato anteriore dell'aspiratore) ha la priorità rispetto all'alloggiamento destro della batteria. L'alloggiamento destro della batteria viene identificato come fonte di alimentazione solo quando non è installata una batteria nell'alloggiamento sinistro della batteria, oppure la batteria nell'alloggiamento sinistro della batteria è completamente scarica.

**NOTA:** È possibile rimuovere la batteria dall'alloggiamento sinistro della batteria e ricaricarla dopo che l'aspiratore ha commutato la sua fonte di alimentazione dall'alloggiamento sinistro della batteria a quello destro senza interrompere il funzionamento. Per ridare la priorità all'alloggiamento sinistro della batteria dopo aver installato una batteria ricaricata, riavviare l'aspiratore.

### Con una singola batteria

È richiesta una sola batteria come fonte di alimentazione, nell'alloggiamento sinistro o destro della batteria. L'aspiratore stabilisce automaticamente quale alloggiamento della batteria sia disponibile, a seconda delle condizioni d'uso.

### Installazione e disinstallazione

Per installare le cartucce delle batterie, sbloccare innanzitutto la chiusura, e aprire lo sportellino delle batterie. Quindi, inserire le cartucce delle batterie.

► **Fig.3:** 1. Chiusura 2. Sportellino delle batterie

Allineare le linguette sulle cartucce delle batterie con le scanalature nell'alloggiamento delle batterie, quindi far

scivolare le batterie in sede. Inserirle completamente fino a quando si innestano in sede con un piccolo scatto.

Quindi, bloccare lo sportellino delle batterie.

► **Fig.4:** 1. Cartuccia della batteria 2. Pulsante

Per rimuovere le cartucce delle batterie, farle scivolare fuori dall'alloggiamento delle batterie mentre si tengono premuti i pulsanti sul lato anteriore delle cartucce.

**⚠ATTENZIONE:** Installare sempre la cartuccia della batteria fino in fondo. In caso contrario, potrebbe cadere accidentalmente dall'apparecchio, causando lesioni personali all'operatore o a chi gli è vicino.

**⚠ATTENZIONE:** Non installare forzatamente la cartuccia della batteria. Qualora la batteria non si inserisca scorrendo agevolmente, vuol dire che non viene inserita correttamente.

**NOTA:** Quando l'aspiratore commuta la fonte di alimentazione dalla prima batteria alla seconda, potrebbe richiedere un arresto temporaneo delle operazioni, causando una leggera perdita nella forza di aspirazione. Tenere presente che questo non denota un malfunzionamento, pertanto l'aspiratore recupera e riprende le operazioni subito dopo la pausa.

## Indicazione della carica residua della batteria

Premere il pulsante di controllo sulla cartuccia della batteria per indicare la carica residua della batteria. Gli indicatori luminosi si illuminano per alcuni secondi.

► **Fig.5:** 1. Indicatori luminosi 2. Pulsante di controllo

Indicatori luminosi			Carica residua
■ Illuminato	□ Spento	▬ Lampeggiante	
■ ■ ■ ■			Dal 75% al 100%
■ ■ ■ □			Dal 50% al 75%
■ ■ □ □			Dal 25% al 50%
■ □ □ □			Dallo 0% al 25%
▬ □ □ □			Caricare la batteria.
■ ■ □ □			La batteria potrebbe essersi guastata.
□ □ ■ ■		↑ ↓	

**NOTA:** A seconda delle condizioni d'uso e della temperatura ambiente, l'indicazione potrebbe variare leggermente rispetto alla carica effettiva.

**NOTA:** Il primo indicatore luminoso (all'estremità sinistra) lampeggia quando il sistema di protezione della batteria è in funzione.

## Indicatori delle batterie sul pannello di controllo

È possibile leggere la carica residua delle batterie sul pannello di controllo in qualsiasi momento. Premere il pulsante di controllo, e gli indicatori a sinistra e a destra indicano i livelli di carica delle batterie corrispondenti.

► **Fig.6:** 1. Indicatori delle batterie 2. Pulsante di controllo

► **Fig.7**

Stato dell'indicatore della batteria			Carica residua della batteria
Acceso	Spento	Lampeggiante	
			Dal 50% al 100%
			Dal 20% al 50%
			Dallo 0% al 20%
			Caricare la batteria
			Batteria non inserita

**NOTA:** Gli indicatori delle batterie vengono attivati anche quando l'aspiratore inizia a funzionare o commuta la sua fonte di alimentazione dall'una all'altra.

## Sistema di protezione dell'elettrodomestico e della batteria

L'elettrodomestico è dotato di un sistema di protezione dell'elettrodomestico stesso e della batteria. Questo sistema interrompe automaticamente l'alimentazione al motore per prolungare la vita utile dell'elettrodomestico e della batteria. L'elettrodomestico si arresta automaticamente durante il funzionamento, qualora l'elettrodomestico stesso o la batteria vengano a trovarsi in una delle condizioni seguenti:

### Protezione dal sovraccarico

Quando l'elettrodomestico o la batteria vengono utilizzati in modo tale da causare un assorbimento di corrente elevato in modo anomalo, l'elettrodomestico si arresta automaticamente. In questa circostanza, spegnere l'elettrodomestico e interrompere l'applicazione che ha causato il sovraccarico dell'elettrodomestico. Quindi, accendere l'elettrodomestico per ricominciare.

## Protezione dal surriscaldamento

Acceso	Lampeggiante

Quando l'elettrodomestico è surriscaldato si arresta automaticamente, ed entrambi gli indicatori delle batterie sinistro e destro lampeggiano. In questa circostanza, lasciar raffreddare l'elettrodomestico prima di riaccenderlo.

Acceso	Lampeggiante

Quando la batteria è surriscaldata, l'elettrodomestico si arresta automaticamente, e uno degli indicatori di batteria surriscaldata lampeggia. In questa situazione, lasciar raffreddare la batteria prima di riaccendere l'elettrodomestico.

## Protezione dalla sovraccarica

Quando la carica della batteria diventa bassa, l'elettrodomestico si arresta automaticamente. Qualora l'elettrodomestico non funzioni con l'operazione di commutazione, rimuovere le batterie dall'elettrodomestico e ricaricarle.

## Protezione da altre cause

Il sistema di protezione è progettato anche per altre cause che potrebbero danneggiare l'elettrodomestico, e consente all'elettrodomestico di arrestarsi automaticamente. Adottare tutte le misure seguenti per rimuovere le cause, quando l'elettrodomestico è stato portato a un'interruzione temporanea o a un arresto del funzionamento.

1. Spegner l'elettrodomestico, quindi riaccenderlo per ricominciare.
2. Caricare la batteria o le batterie, o sostituirla/sostituire con una batteria o delle batterie ricaricate.
3. Lasciar raffreddare l'elettrodomestico e la batteria o le batterie.

Qualora non si riscontri alcun miglioramento ripristinando il sistema di protezione, contattare il proprio centro di assistenza locale Makita.

## Funzionamento dell'interruttore

### Accensione dell'aspiratore

1. Ruotare il commutatore di standby sulla posizione "I" (ACCESO) per far sì che l'aspiratore sia pronto in modalità standby.
2. Premere il pulsante di accensione. Per commutare di nuovo sulla modalità standby, premere di nuovo il pulsante di accensione.

### Spegnimento dell'aspiratore

Effettuare una delle operazioni seguenti.

- Premere il pulsante di accensione per disporre nuovamente l'aspiratore in modalità standby, quindi ruotare il commutatore di standby sulla posizione "O" (SPENTO).



- Ruotare il commutatore di standby sulla posizione "O" (SPENTO).

### Regolazione della potenza di aspirazione

È possibile regolare la forza di aspirazione a seconda delle esigenze del lavoro.

- Per ridurre la potenza di aspirazione, ruotare la manopola di regolazione della forza di aspirazione verso sinistra.
- Per aumentare la potenza di aspirazione, ruotare la manopola di regolazione della forza di aspirazione verso destra.

► **Fig.8:** 1. Commutatore di standby 2. Pulsante di accensione 3. Manopola di regolazione della forza di aspirazione

## Arresto automatico dell'aspirazione durante il funzionamento con aspirazione a umido

**AVVERTIMENTO:** Non utilizzare per un periodo di tempo prolungato quando è in funzione il galleggiante. L'utilizzo dell'aspiratore quando il galleggiante è in funzione per un periodo di tempo prolungato può causare un surriscaldamento e, di conseguenza, la deformazione dell'aspiratore.

**AVVERTIMENTO:** Non aspirare schiuma o liquidi saponosi. Questa operazione può causare la fuoriuscita di schiuma dall'uscita dell'aria, prima che il galleggiante entri in funzione. L'utilizzo continuato in tali condizioni potrebbe causare scosse elettriche e il guasto dell'aspiratore.

La funzione di arresto automatico dell'aspirazione è operativa solo mentre l'aspiratore viene utilizzato con il galleggiante e la gabbia del galleggiante.

L'aspiratore dispone di un meccanismo con galleggiante che impedisce la penetrazione dell'acqua nel motore quando si aspira più di una determinata quantità d'acqua. Quando il serbatoio è pieno e l'aspiratore non raccoglie più l'acqua, spegnere l'aspiratore e svuotare il serbatoio.

## Blocco e sblocco delle rotelle girevoli

È possibile bloccare le rotelle girevoli posteriori con dei freni, come aiuto per tenere fermo l'aspiratore.

Per bloccare la rotella girevole abbassare la leva del freno con la mano, e per sbloccarla sollevare la leva del freno.

► **Fig.9:** 1. Rotella girevole 2. Leva del freno 3. Posizione di MOVIMENTO LIBERO 4. Posizione di BLOCCO

**NOTA:** Quando si intende spostare l'aspiratore, accertarsi che la rotella girevole sia sbloccata. Qualora si sposti l'aspiratore con la rotella girevole in una posizione bloccata, si potrebbe danneggiare la rotella girevole.

## Maniglia da trasporto

**ATTENZIONE:** Sollevare e trasportare l'elettrodomestico con cautela. La mancata osservanza di questa indicazione potrebbe causare lesioni personali o danni all'elettrodomestico.

Quando si intende trasportare l'aspiratore, trasportarlo afferrandolo per la maniglia sull'unità di testa. La maniglia è retrattile sull'unità di testa, quando non è in uso.

► **Fig.10**

## MONTAGGIO

**ATTENZIONE:** Prima di effettuare qualsiasi intervento sull'elettrodomestico, accertarsi sempre che sia spento e che le cartucce delle batterie siano state rimosse.

**ATTENZIONE:** Indossare sempre una mascherina antipolvere durante il montaggio o la manutenzione.

## Installazione del filtro antipolveri (HEPA) e del prefiltro (per polveri asciutte)

### Accessorio opzionale

**ATTENZIONE:** Non raccogliere mai acqua o altri liquidi né polveri bagnate quando si utilizza il filtro antipolveri. La raccolta di oggetti di questo genere potrebbe causare la rottura del filtro antipolveri.

Per utilizzare il filtro antipolveri:

1. Allentare le viti che fissano la gabbia del galleggiante, quindi rimuovere le viti, la gabbia del galleggiante e il galleggiante dall'unità di testa.

► **Fig.11:** 1. Vite 2. Gabbia del galleggiante 3. Galleggiante 4. Unità di testa

2. Estrarre il filtro in tessuto dal serbatoio.

► **Fig.12:** 1. Filtro in tessuto 2. Serbatoio

3. Posizionare il prefiltro nel serbatoio allineando gli indicatori delle posizioni di montaggio sul prefiltro e sul serbatoio.

4. Montare il filtro in spugna sul prefiltro, quindi posizionare il filtro antipolveri sul filtro in spugna, allineando gli indicatori delle posizioni di montaggio sul filtro antipolveri e sul prefiltro.

5. Montare l'unità di testa sul serbatoio e fissarli con le chiusure a scatto di blocco.

► **Fig.13:** 1. Unità di testa 2. Filtro antipolveri (HEPA) 3. Filtro in spugna 4. Prefiltro 5. Serbatoio 6. Indicatore della posizione di montaggio

**AVVISO:** Prima di utilizzare il filtro antipolveri, accertarsi che il prefiltro e il filtro in spugna siano sempre utilizzati assieme. Non è consentito installare il filtro antipolveri da solo.

## Installazione del filtro dell'acqua

### Accessorio opzionale

**AVVISO:** Non raccogliere mai acqua o polveri galleggianti e il filtro in tessuto o il filtro dell'acqua.

**AVVISO:** Per raccogliere polveri bagnate, accertarsi che la gabbia del galleggiante e il galleggiante siano installati sull'aspiratore.

**AVVISO:** Quando si intende installare il filtro dell'acqua sul serbatoio, fissarlo saldamente all'apertura del serbatoio, in modo che il gancio del filtro dell'acqua si innesti saldamente sull'apertura del serbatoio e non resti spazio tra il filtro dell'acqua e il serbatoio.

Per raccogliere solo acqua o polveri bagnate, il filtro dell'acqua è più adatto del filtro in tessuto. Quando si installa il filtro dell'acqua, allineare il suo indicatore della posizione di montaggio con quello sul serbatoio.

► **Fig.14:** 1. Filtro dell'acqua 2. Serbatoio 3. Indicatore della posizione di montaggio

**NOTA:** Si consiglia l'utilizzo del filtro dell'acqua quando si intende raccogliere ripetutamente grandi quantitativi d'acqua. In caso contrario, con il filtro in tessuto, la capacità di aspirazione potrebbe venire ridotta.

## Installazione del pacchetto di carta

### Accessorio opzionale

**AVVERTIMENTO:** Prima di utilizzare un pacchetto di carta, accertarsi che il filtro in tessuto o il prefiltro siano utilizzati assieme. Il mancato utilizzo congiunto del filtro in tessuto o del prefiltro potrebbe causare rumore e calore anomali, e risultare in un incendio.

**AVVISO:** Non raccogliere mai acqua o altri liquidi né polveri bagnate quando si utilizza un pacchetto di carta. La raccolta di oggetti di questo genere potrebbe causare la rottura del pacchetto di carta.

**AVVISO:** Quando si intende utilizzare il filtro in tessuto, accertarsi che il galleggiante e la gabbia del galleggiante siano montati sull'unità di testa.

**AVVISO:** Quando si intende utilizzare il prefiltro, accertarsi che il filtro antipolveri e il filtro in spugna siano utilizzati assieme.

1. Distendere un pacchetto di carta.
2. Allineare l'apertura del pacchetto di carta con l'entrata delle polveri del serbatoio.
3. Installare nel serbatoio il pacchetto di carta con la sua apertura in cartone agganciata al supporto del pacchetto di carta.

- **Fig.15:** 1. Pacchetto di carta 2. Apertura in cartone 3. Supporto del pacchetto di carta 4. Entrata delle polveri

## Installazione del sacchetto in polietilene

Con un sacchetto in polietilene installato nel serbatoio, è possibile svuotare facilmente il serbatoio senza sporcarsi le mani.

Disporre un sacchetto in polietilene sul serbatoio, quindi far scivolare un lato dell'orlo superiore del sacchetto, alla sua estremità aperta, tra la piastra del supporto e la parete anteriore del serbatoio.

► **Fig.16:** 1. Piastra del supporto 2. Parete anteriore del serbatoio 3. Sacchetto in polietilene

Distendere gli altri orli superiori del sacchetto verso l'esterno sopra i bordi superiori del serbatoio. Posizionare il filtro in tessuto o il prefiltro sopra il sacchetto in polietilene, per fissare saldamente l'apertura del sacchetto.

► **Fig.17:** 1. Filtro in tessuto/prefiltro

**NOTA:** È possibile utilizzare un comune sacchetto in polietilene disponibile in commercio. Si consiglia di utilizzarne uno di spessore pari o superiore a 0,04 mm.

**NOTA:** Una quantità eccessiva di polveri causa facilmente lo strappo del sacchetto; pertanto, evitare di superare la metà della capacità del sacchetto nel raccogliere le polveri.

## Svuotamento del serbatoio con il sacchetto in polietilene

**AVVERTIMENTO:** Prima di svuotare il serbatoio, accertarsi sempre che l'aspiratore sia spento e che le cartucce delle batterie siano state rimosse. In caso contrario, si potrebbero causare scosse elettriche e gravi lesioni personali.

**AVVISO:** Evitare forti impatti sulla gabbia del galleggiante e sul serbatoio. Qualora si verifichi un forte impatto, si potrebbe causare la deformazione e il danneggiamento delle parti.

**AVVISO:** Svuotare il serbatoio almeno una volta al giorno, anche se la frequenza dipende dal volume delle polveri raccolte nel serbatoio. In caso contrario, la forza di aspirazione si riduce e il motore potrebbe rompersi.

**AVVISO:** Quando si intende svuotare il serbatoio, non afferrare i ganci o le chiusure a scatto. Qualora si afferrino i ganci o le chiusure a scatto, si potrebbe causarne la rottura.

Sganciare le chiusure a scatto di blocco e sollevare l'unità di testa rimuovendola dal serbatoio. Scuotere via le polveri dal filtro in tessuto o dal prefiltro prima di sollevare il filtro per estrarlo dal serbatoio. Quindi, rimuovere il sacchetto in polietilene dal serbatoio, chiudendo l'apertura del sacchetto con la mano.

► **Fig.18:** 1. Sacchetto in polietilene 2. Serbatoio

**NOTA:** Estrarre il sacchetto in polietilene dal serbatoio con cautela, per evitare che venga graffiato e strappato dai bordi all'interno del serbatoio.

**NOTA:** Svuotare il sacchetto in polietilene prima che sia completamente pieno. Una quantità eccessiva di polveri nel serbatoio potrebbe causare lo strappo del sacchetto in polietilene.

## Installazione del gancio multiplo

Utilizzare il gancio multiplo per mantenere in sede un tubo flessibile, accessori e componenti aggiuntivi non utilizzati, per poterli estrarre rapidamente in base alle proprie preferenze.

► **Fig.19**

Posizionare il gancio multiplo sulla base di montaggio sul lato posteriore dell'aspiratore, disponendo i binari presenti sul gancio multiplo lungo le scanalature presenti sulla base di montaggio.

► **Fig.20:** 1. Gancio multiplo 2. Base di montaggio

## Installazione dell'adattatore MAKPAC

### Accessorio opzionale

Con un adattatore opzionale, è possibile installare sul lato superiore dell'aspiratore contenitori di stoccaggio collegabili e impilabili MAKPAC. I contenitori sono disponibili in svariati formati e stili, per adattarli alle proprie preferenze.

Posizionare il gancio della base di montaggio sulla maniglia dell'aspiratore, con la sua superficie di montaggio rivolta verso l'alto, quando la maniglia è ripiegata nella posizione chiusa.

► **Fig.21:** 1. Gancio della base di montaggio  
2. Superficie di montaggio 3. Maniglia

Montare l'adattatore MAKPAC sul gancio della base di montaggio, quindi fissarli assieme con le quattro viti fornite in dotazione.

► **Fig.22:** 1. Adattatore MAKPAC 2. Gancio della base di montaggio 3. Vite

Sollevarre la maniglia di spinta verso l'alto e serrare la manopola per preparare l'installazione dei contenitori MAKPAC sull'aspiratore.

► **Fig.23:** 1. Maniglia di spinta 2. Manopola

**NOTA:** Per i dettagli sull'installazione dei contenitori MAKPAC, fare riferimento alle istruzioni fornite con l'adattatore e i contenitori MAKPAC.

## Installazione del tubo flessibile

**AVVISO:** Non piegare mai forzatamente il tubo flessibile né calpestarlo. Non spostare mai l'aspiratore tirando il tubo flessibile. Qualora si forzi, si calpesti o si tiri il tubo flessibile, si potrebbe causarne la rottura o la deformazione.

**AVVISO:** Quando si intende raccogliere rifiuti di grandi dimensioni, ad esempio trucioli di piallatura, polveri di calcestruzzo o rifiuti simili che non siano di piccole dimensioni, utilizzare il tubo flessibile con diametro interno di 38 mm (accessorio opzionale). L'uso di un tubo flessibile con diametro interno di 28 mm (accessorio opzionale) potrebbe causare l'ostruzione e il danneggiamento del tubo flessibile.

### Collegamento all'aspiratore

Inserire l'estremità del tubo flessibile nell'entrata delle polveri (apertura di entrata del tubo flessibile) dell'aspiratore, quindi ruotarla in senso orario fino a innestarla in sede.

► **Fig.24:** 1. Tubo flessibile 2. Entrata delle polveri (apertura di entrata del tubo flessibile)

### Collegamenti con gli utensili da lavoro utilizzati (Specifici in base alla nazione)

Collegando l'aspirapolvere a utensili da lavoro disponibili di qualsiasi genere che siano compatibili con l'aspiratore, quest'ultimo funziona come estrattore delle polveri per gli utensili elettrici utilizzati.

Per collegare un utensile all'aspiratore, sono richiesti il tubo flessibile dedicato e/o componenti aggiuntivi. A seconda del modello di aspiratore utilizzato, è necessario sostituire il tubo flessibile e/o preparare componenti aggiuntivi.

Selezionare uno dei risvolti anteriori o dei giunti (accessori opzionali) più idonei per il modello di utensile utilizzato. Collocare il risvolto o il giunto, se necessario, tra l'estremità anteriore del tubo flessibile dell'aspiratore e un'apertura di estrazione delle polveri dell'utensile utilizzato.

► **Fig.25:** 1. Risvolto anteriore o giunto 2. Tubo flessibile dell'aspiratore 3. Utensile elettrico 4. Aspirapolvere

## Installazione o rimozione dei componenti aggiuntivi dell'aspiratore

**ATTENZIONE:** Dopo aver installato un accessorio, verificare se sia installato saldamente. Qualora l'accessorio non sia installato perfettamente, potrebbe staccarsi e causare lesioni personali.

## Montaggio del gruppo con tubo piegato

### Accessorio opzionale

**NOTA:** Non è necessario eseguire questa procedura se il modello utilizzato è dotato del gruppo con tubo piegato montato sul tubo flessibile.

Il gruppo con tubo piegato viene utilizzato per collegare a questo prodotto la prolunga o la bocchetta per aspirare polveri.

Se si desidera utilizzare questo prodotto come aspirapolvere, montare il gruppo con tubo piegato sul tubo flessibile.

#### Per il gruppo con tubo piegato a vite

Per montarlo, svitare il risvolto anteriore dal tubo flessibile e fissare il manicotto del gruppo con tubo piegato sul tubo flessibile.

Per rimuoverlo, allentare il manicotto del gruppo con tubo piegato dal tubo flessibile.

► **Fig.26:** 1. Tubo flessibile 2. Gruppo con tubo piegato 3. Manicotto

#### Per il gruppo con tubo piegato a innesto

Per montarlo, inserire l'estremità del tubo flessibile nel gruppo con tubo piegato. Accertarsi che le linguette all'estremità del tubo flessibile si innestino nei fori presenti sul gruppo con tubo piegato.

Per rimuovere il gruppo con tubo piegato, tirarlo mentre si tengono premute entrambe le linguette all'estremità del tubo flessibile.

► **Fig.27:** 1. Estremità del tubo flessibile 2. Linguetta 3. Foro 4. Gruppo con tubo piegato

## Quando si intende utilizzare un accessorio privo di funzione di blocco

### Accessorio opzionale

Inserire un componente aggiuntivo nella presa di aspirazione dell'aspiratore, premendolo e avvitandolo a mano in sede.

Dopo l'uso, girare e tirare a mano il componente aggiuntivo per staccarlo dalla presa di aspirazione.

► **Fig.28**

## Componenti aggiuntivi dotati di funzione di blocco

### Accessorio opzionale

**AVVISO:** Quando si intende installare un accessorio dotato di funzione di blocco, accertarsi di allineare il pulsante di sblocco con il gancio sull'accessorio. Qualora non siano allineati, l'accessorio non viene bloccato, e potrebbe staccarsi dall'aspiratore.

Inserire un componente aggiuntivo nella presa di aspirazione dell'aspiratore premendoli per unirli tra di loro fino a sentire uno scatto.

Per rimuovere il componente aggiuntivo, tirarlo via mentre si preme il pulsante di sblocco.

► **Fig.29:** 1. Presa di aspirazione dotata di funzione di blocco 2. Pulsante di sblocco 3. Accessorio dotato di funzione di blocco

**NOTA:** Un componente aggiuntivo dotato di funzione di blocco può venire installato solo nella presa di aspirazione dotata di funzione di blocco.

► **Fig.30:** 1. Accessorio dotato di funzione di blocco 2. Presa di aspirazione dotata di funzione di blocco 3. Presa di aspirazione senza funzione di blocco

## Montaggio della bocchetta e della prolunga

### Accessorio opzionale

**NOTA:** Il tipo di bocchetta e di prolunga incluse nel prodotto varia a seconda della nazione. In alcune nazioni, la bocchetta e la prolunga non sono incluse.

Ruotare e inserire la bocchetta sulla prolunga.

► **Fig.31:** 1. Prolunga 2. Bocchetta di gomma flessibile 3. Bocchetta per angoli 4. Bocchetta a T

**NOTA:** Facendo ruotare la bocchetta mentre la si inserisce, è possibile montare saldamente la bocchetta sulla prolunga.

**NOTA:** Per il modello con tubo flessibile da  $\varnothing 38$  mm e risvolto anteriore 38, montare la bocchetta in dotazione sul tubo piegato in alluminio o sul tubo diritto in alluminio.

Quando si utilizza la bocchetta a T commutabile per pavimenti/tappeti, è possibile cambiare la modalità a seconda dell'ubicazione.

- Modalità pavimento: idonea per un'ubicazione liscia, ad esempio un pavimento duro
- Modalità tappeto: idonea per un'ubicazione a pelo lungo, ad esempio un tappeto o un tappetino

► **Fig.32:** 1. Pulsante di commutazione della modalità 2. Modalità pavimento 3. Modalità tappeto

## Regolazione delle lunghezze della prolunga a scorrimento

### Accessorio opzionale

È possibile combinare una prolunga a scorrimento per ottenere lunghezze inferiori e superiori. La prolunga a scorrimento consente di pulire in aree difficili da raggiungere, nonché di ottenere opzioni di posizionamento comode.

Tirare verso l'interno o verso l'esterno il tubo scorrevole per cambiare le lunghezze della prolunga mentre si tiene premuto il pulsante di scorrimento.

Rilasciare il pulsante di scorrimento per bloccare il tubo scorrevole sulla posizione desiderata.

► **Fig.33:** 1. Tubo scorrevole 2. Pulsante di scorrimento

## MANUTENZIONE

**ATTENZIONE:** Prima di tentare di eseguire interventi di ispezione o manutenzione, accertarsi sempre che l'elettrodomestico sia spento e che le cartucce delle batterie siano state rimosse.

**AVVISO:** Non utilizzare mai benzina, benzene, solventi, alcol o altre sostanze simili. In caso contrario, si potrebbero causare scolorimenti, deformazioni o crepe.

Per preservare la SICUREZZA e l'AFFIDABILITÀ del prodotto, le riparazioni e qualsiasi altro intervento di manutenzione e di regolazione devono essere eseguiti

da un centro di assistenza autorizzato Makita, utilizzando sempre ricambi Makita.

## Conservazione degli accessori

È possibile agganciare e riporre nel gancio multiplo sul retro dell'aspiratore gli accessori e i componenti aggiuntivi non utilizzati, quali bocchette e spazzole.

► **Fig.34:** 1. Gancio multiplo 2. Accessori e componenti aggiuntivi non utilizzati

È possibile posizionare i tubi (con un fermo opzionale installato) nell'apposito supporto, quando non si intende utilizzare l'aspiratore per un breve periodo di tempo.

► **Fig.35:** 1. Fermo (accessorio opzionale) 2. Ferमतubo

È possibile avvolgere e riporre un tubo flessibile in grandi anelli intorno all'alloggiamento o alla maniglia dell'aspiratore. Collegare assieme entrambe le estremità del tubo flessibile per creare degli anelli, quindi agganciare gli anelli sulla maniglia sollevata. In alternativa, mantenere l'estremità di base del tubo flessibile installata nell'entrata per il tubo flessibile, e appendere gli anelli sul gancio multiplo con l'estremità libera legata.

► **Fig.36**

► **Fig.37**

## Pulizia del filtro in tessuto

Pulire il filtro in tessuto a intervalli regolari, poiché un filtro in tessuto intasato potrebbe causare prestazioni di aspirazione scadenti.

Pulire e scuotere via con le mani le polveri dal filtro in tessuto occasionalmente.

► **Fig.38:** 1. Filtro in tessuto

## Pulizia del filtro antipolveri (HEPA) e del prefiltra

### Accessorio opzionale

Pulire il filtro antipolveri, il prefiltra e il filtro in spugna a intervalli regolari, poiché i filtri e il filtro in spugna intasati possono causare prestazioni di aspirazione scadenti.

Pulire e scuotere via con le mani le polveri dai filtri e dal filtro in spugna regolarmente.

Ogni tanto, lavare il filtro antipolveri in acqua, risciacquarlo e farlo asciugare completamente all'ombra prima dell'uso. Non lavare mai i filtri in lavatrice.

► **Fig.39**

**NOTA:** Non strofinare né graffiare il filtro antipolveri, il prefiltra o il filtro in spugna con oggetti duri, quali spazzole o spatole.

**NOTA:** I filtri si usurano con il passare del tempo. Si consiglia di avere a disposizione dei ricambi per i filtri.

## ACCESSORI OPZIONALI

**ATTENZIONE:** Questi accessori o componenti aggiuntivi sono consigliati per l'uso con l'utensile Makita specificato nel presente manuale.

L'impiego di altri accessori o componenti aggiuntivi può costituire un rischio di lesioni alle persone. Utilizzare gli accessori o i componenti aggiuntivi solo per il loro scopo prefissato.

Potrebbe non essere possibile installare alcuni accessori, a seconda della combinazione delle parti.

Per ottenere ulteriori dettagli relativamente a questi accessori, rivolgersi a un centro di assistenza Makita.

- Tubo flessibile
- Risvolto anteriore (22, 24, 38)
- Tubo diritto
- Prolunga
- Bocchetta per angoli
- Spazzola rotonda
- Filtro antipolveri, HEPA (per polveri asciutte)
- Filtro in spugna
- Prefiltro
- Filtro dell'acqua
- Filtro in tessuto
- Bocchetta a T
- Tubo piegato
- Sacchetto in polietilene
- Pacchetto di carta
- Adattatore MAKPAC
- Batteria e caricabatterie originali Makita

**NOTA:** Alcuni articoli nell'elenco potrebbero essere inclusi nell'imballaggio dell'utensile come accessori standard. Tali articoli potrebbero variare da nazione a nazione.

## WAARSCHUWING

- Dit apparaat is niet bedoeld voor gebruik door personen, waaronder kinderen, met een verminderd lichamelijk, zintuiglijk of geestelijk vermogen, of gebrek aan kennis en ervaring.
- Kinderen dienen onder toezicht te staan om ervoor te zorgen dat zij niet met de stofzuiger spelen.
- Zie het hoofdstuk "TECHNISCHE GEGEVENS" voor de typeaanduiding van de accu.
- Zie het hoofdstuk "De accu aanbrengen en verwijderen" voor hoe u de accu kunt aanbrengen en verwijderen.
- Wanneer u de accu wilt weggooien, verwijdert u de accu vanaf het gereedschap en gooit u hem op een veilige manier weg. Volg bij het weggooien van de accu de plaatselijke voorschriften.
- Als u het gereedschap gedurende een lange tijd niet denkt te gaan gebruiken, moet de accu vanaf het gereedschap worden verwijderd.
- Voorkom kortsluiting van de accu.
- Zie het hoofdstuk "ONDERHOUD" voor de benodigde informatie over de voorzorgsmaatregelen tijdens onderhoud door de gebruiker.

## TECHNISCHE GEGEVENS

Model:		VC001GL	VC003GL
Standaard type filter		Doekfilter (voor droog en nat stof)	
Maximaal luchtvolume aan het uiteinde van de slang (met BL4040 en slang met $\varnothing 32$ mm en lengte 1,7 m)		2,7 m <sup>3</sup> /min	
Maximaal luchtvolume bij turbine (met BL4040)		4,2 m <sup>3</sup> /min	
Vacuüm (met BL4040)		23 kPa	
Opneembare inhoud	Stof	8 L	15 L
	Water	6 L	12 L
Afmetingen (l x b x h)		366 mm x 334 mm x 425 mm	366 mm x 334 mm x 475 mm
Nominale spanning		D.C. 36 V - 40 V max	
Nettogewicht		8,1 - 11,2 kg	8,4 - 11,5 kg
Beschermingsklasse		IPX4	

- In verband met ononderbroken research en ontwikkeling, behouden wij ons het recht voor de bovenstaande technische gegevens zonder voorafgaande kennisgeving te wijzigen.
- De technische gegevens van de accu kunnen van land tot land verschillen.
- Het gewicht is exclusief bijgeleverde accessoires, maar inclusief de accu(s). Het laagste en hoogste gecombineerde gewicht van het apparaat en de accu(s) wordt vermeld in de tabel.
- Voor nat stof zijn de vlotter en het waterfilter of doekfilter vereist.

## Toepasselijke accu's en laders

Accu	BL4020 / BL4025 / BL4040* / BL4040F* / BL4050F* / BL4080F* * : Aanbevolen accu
Lader	DC40RA / DC40RB / DC40RC / DC40WA

- Sommige van de hierboven vermelde accu's en laders zijn mogelijk niet leverbaar afhankelijk van waar u woont.

**WAARSCHUWING:** Gebruik uitsluitend de accu's en laders die hierboven worden genoemd. Gebruik van enige andere accu of lader kan leiden tot letsel en/of brand.

## Symbolen

Hieronder staan de symbolen die voor het gereedschap kunnen worden gebruikt. Zorg ervoor dat u de betekenis ervan kent voordat u het gereedschap gaat gebruiken.



Lees de gebruiksaanwijzing.



Wees vooral voorzichtig en let goed op.



Waarschuwing: De stofzuiger kan schadelijk stof bevatten.



Ga nooit op de stofzuiger staan.



Stofklasse L (licht). De stofzuigers zijn in staat om stofklasse L op te zuigen. Houd u aan de nationale regelgeving met betrekking tot stof en veiligheid en gezondheid op de werkplek.



Ni-MH  
Li-ion

Alleen voor EU-landen  
Als gevolg van de aanwezigheid van schadelijke componenten in het apparaat, kunnen oude elektrische en elektronische apparaten, accu's en batterijen negatieve gevolgen hebben voor het milieu en de gezondheid van mensen.

Gooi elektrische en elektronische apparaten en accu's niet met het huisvuil weg! In overeenstemming met de Europese richtlijn inzake oude elektrische en elektronische apparaten en inzake accu's en batterijen en oude accu's en batterijen, alsmede de toepassing daarvan binnen de nationale wetgeving, dienen oude elektrische apparaten, accu's en batterijen gescheiden te worden opgeslagen en te worden ingeleverd bij een apart inzamelepunt voor huishoudelijk afval dat de milieubeschermingsvoorschriften in acht neemt.

Dit wordt op het apparaat aangegeven door het symbool van een doorgekruiste afvalcontainer.

## Gebruiksdoeleinden

Het apparaat is bedoeld om zowel droog als nat stof te verzamelen. Het apparaat is geschikt voor commercieel gebruik, bijvoorbeeld in hotels, scholen, ziekenhuizen, fabrieken, winkels, kantoren en verhuurbedrijven.

## Geluidsniveau

De typische, A-gewogen geluidsniveaus zijn gemeten volgens EN60335-2-69:

### Model VC001GL

Geluidsdrukniveau ( $L_{pA}$ ): 70 dB (A) of lager  
Onzekerheid (K): 2,5 dB (A)

### Model VC003GL

Geluidsdrukniveau ( $L_{pA}$ ): 70 dB (A) of lager  
Onzekerheid (K): 2,5 dB (A)

Het geluidsniveau kan tijdens gebruik hoger worden dan 80 dB (A).

**OPMERKING:** De opgegeven geluidsemissiewaarde(n) is/zijn gemeten volgens een standaardtestmethode en kan/kunnen worden gebruikt om dit gereedschap te vergelijken met andere gereedschappen.

**OPMERKING:** De opgegeven geluidsemissiewaarde(n) kan/kunnen ook worden gebruikt voor een beoordeling vooraf van de blootstelling.

**⚠️WAARSCHUWING:** Draag gehoorbescherming.

**⚠️WAARSCHUWING:** De geluidsemissie tijdens het gebruik van het elektrisch gereedschap in de praktijk kan verschillen van de opgegeven waarde(n) afhankelijk van de manier waarop het gereedschap wordt gebruikt, met name van het soort werkstuk waarmee wordt gewerkt.

**⚠️WAARSCHUWING:** Zorg ervoor dat veiligheidsmaatregelen worden getroffen ter bescherming van de gebruiker die zijn gebaseerd op een schatting van de blootstelling onder praktijkomstandigheden (rekening houdend met alle fasen van de bedrijfscyclus, zoals de tijdsduur gedurende welke het gereedschap is uitgeschakeld en stationair draait, naast de ingeschakelde tijdsduur).

## Trilling

De totale trillingswaarde (triaxiale vectorsom) zoals vastgesteld volgens EN60335-2-69:

### Model VC001GL

Trillingsemissie ( $a_{h,M}$ ): 2,5 m/s<sup>2</sup> of lager  
Onzekerheid (K): 1,5 m/s<sup>2</sup>

### Model VC003GL

Trillingsemissie ( $a_{h,M}$ ): 2,5 m/s<sup>2</sup> of lager  
Onzekerheid (K): 1,5 m/s<sup>2</sup>

**OPMERKING:** De totale trillingswaarde(n) is/zijn gemeten volgens een standaardtestmethode en kan/kunnen worden gebruikt om dit gereedschap te vergelijken met andere gereedschappen.

**OPMERKING:** De opgegeven totale trillingswaarde(n) kan/kunnen ook worden gebruikt voor een beoordeling vooraf van de blootstelling.

**⚠️WAARSCHUWING:** De trillingsemissie tijdens het gebruik van het elektrisch gereedschap in de praktijk kan verschillen van de opgegeven waarde(n) afhankelijk van de manier waarop het gereedschap wordt gebruikt, met name van het soort werkstuk waarmee wordt gewerkt.

**⚠️WAARSCHUWING:** Zorg ervoor dat veiligheidsmaatregelen worden getroffen ter bescherming van de gebruiker die zijn gebaseerd op een schatting van de blootstelling onder praktijkomstandigheden (rekening houdend met alle fasen van de bedrijfscyclus, zoals de tijdsduur gedurende welke het gereedschap is uitgeschakeld en stationair draait, naast de ingeschakelde tijdsduur).

## Verklaringen van conformiteit

### Alleen voor Europese landen

De verklaringen van conformiteit zijn bijgevoegd in Bijlage A bij deze gebruiksaanwijzing.

# VEILIGHEIDSWAAR- SCHUWINGEN

## Veiligheidswaarschuwingen voor een accustofzuiger

**⚠ WAARSCHUWING: BELANGRIJK! LEES VÓÓR GEBRUIK** alle veiligheidswaarschuwingen en alle instructies **ZORGVULDIG DOOR**. Het niet volgen van de waarschuwingen en instructies kan leiden tot elektrische schokken, brand en/of ernstig letsel.

1. **Bedenk vóór gebruik dat deze stofzuiger moet worden gebruikt door mensen die goed zijn geïnstrueerd in het gebruik van deze stofzuiger.**
2. **Vóór gebruik moeten gebruikers informatie, instructie en training krijgen over het gebruik van het apparaat en de materialen waarvoor het moet worden gebruikt, inclusief de veilige werkwijze voor het verwijderen en weggooiën van het verzamelde materiaal.**
3. **Als er schuim of vloeistof uit komt, schakelt u hem onmiddellijk uit.**
4. **Maak de waterpeilbegrenzer regelmatig schoon en inspecteer hem op tekenen van beschadiging.**
5. **Verzekert u er vóór gebruik altijd van dat de filters correct zijn aangebracht. Gebruik de stofzuiger niet zonder dat de filters zijn aangebracht. Vervang een beschadigd filter onmiddellijk. Wij adviseren u enkele filters op voorraad te houden aangezien dit verbruiksartikelen zijn.**
6. **VOORKOM ONBEDOELD STARTEN.** Verzekert u ervan dat de schakelaar in de uit-stand staat voordat u de accu('s) aanbrengt.
7. **Probeer niet brandbare materialen, vuurwerk, brandende sigaretten, hete as, hete metaaldeeltjes en scherpe materialen, zoals scheermesjes, naalden, gebroken glas en dergelijke, op te zuigen.**
8. **GEBRUIK DE STOFZUIGER NOOIT IN DE BUURT VAN BENZINE, GAS, VERF, LIJM OF ANDERE UITERST EXPLOSIEVE STOFFEN.** De schakelaar produceert vonken bij het in- en uitschakelen. En dat doet ook de collector in de motor tijdens gebruik. Hierdoor kan een gevaarlijke explosie worden veroorzaakt.
9. **Zuig nooit giftige, kankerverwekkende, ontbrandbare of andere gevaarlijke stoffen op, zoals asbest, arsenicum, barium, beryllium, lood, pesticiden en andere gezondheidsbedreigende materialen.**
10. **Plaats de stofzuiger altijd op een horizontale en vlakke ondergrond om te voorkomen dat hij omvalt of onbedoeld beweegt.**
11. **Gebruik de stofzuiger nooit buitenshuis in de regen.**
12. **In Finland mag dit apparaat niet buitenshuis worden gebruikt bij lage temperaturen.**
13. **Gebruik hem niet dichtbij een warmtebron (fornuis, enz.).**
14. **Als de uitlaatlucht terugstroomt in het vertrek, is het noodzakelijk voor voldoende luchtverversing in het vertrek te zorgen. Raadpleeg hiervoor de nationale regelgeving.**
15. **Blokkeer de aanzuigopening/uitlaat/koelventilatieopeningen niet. Deze ventilatieopeningen zorgen voor de koeling van de motor. Blokkering ervan moet zorgvuldig worden voorkomen omdat anders de motor zal doorbranden als gevolg van gebrek aan ventilatie.**
16. **Zorg altijd voor een stevige stand en goede lichaamsbalans.**
17. **U mag de slang niet knikken, eraan trekken of erop gaan staan.**
18. **Schakel de stofzuiger onmiddellijk uit als u tijdens gebruik slechte prestaties of iets abnormaals opmerkt.**
19. **VERWIJDER DE ACCU('S) wanneer het gereedschap niet in gebruik is, u er onderhoud aan gaat plegen, en u accessoires verwisselt.**
20. **Reinig en onderhoud de stofzuiger onmiddellijk na elk gebruik om hem in optimale conditie te houden.**
21. **ONDERHOUD DE STOFZUIGER GOED.** Houd de stofzuiger schoon om beter en veiliger te kunnen werken. Houdt u aan de instructies voor het verwisselen van de accessoires. Houd de handgrepen droog, schoon en vrij van olie en vetten.
22. **CONTROLEER BESCHADIGDE ONDERDELEN.** Zonder de stofzuiger verder te gebruiken, moet een beschermkap of ander onderdeel dat beschadigd is eerst goed worden onderzocht om te beoordelen of het goed werkt en zijn beoogde functie kan uitvoeren. Controleer of bewegende delen goed uitgelijnd zijn en niet vastgelopen zijn, of onderdelen niet kapot zijn en stevig gemonteerd zijn, en enige andere situatie die van invloed kan zijn op de werking ervan. Een beschermkap of ander onderdeel dat beschadigd is, dient vakkundig te worden gerepareerd of vervangen door een erkend servicecentrum, behalve indien anders aangegeven elders in deze gebruiksaanwijzing. Laat een kapotte schakelaar vervangen door een erkend servicecentrum. Gebruik de stofzuiger niet als hij niet kan worden in- en uitgeschakeld met de schakelaar.
23. **Bij onderhoud door de gebruiker moet het apparaat worden gedemonteerd, gereinigd en onderhouden voor zover dat redelijkerwijs praktisch is zonder dat dit risico's oplevert voor het onderhoudspersoneel en anderen.**
24. **Het apparaat moet minimaal jaarlijks worden onderworpen aan een technische inspectie door de fabrikant of een opgeleid persoon, welke dient te bestaan uit, bijvoorbeeld, een inspectie van de filters op beschadigingen, de luchtdichtheid van het apparaat en de juiste werking van het bedieningsmechanisme.**
25. **Tijdens het uitvoeren van onderhouds- of reparatiewerkzaamheden moeten alle verontreinigde onderdelen die niet naar tevredenheid**



kunnen worden schoongemaakt, worden weggegooid. Dergelijke onderdelen moeten worden weggegooid in ondoordringbare zakken conform alle huidige regelgeving voor het weggooiden van dergelijk afval.

26. **VERVANGINGSONDERDELEN.** Gebruik tijdens reparaties uitsluitend identieke vervangingsonderdelen.
27. **BERG EEN STOFZUIGER DIE NIET WORDT GEBRUIKT VEILIG OP.** Wanneer de stofzuiger niet wordt gebruikt, dient hij binnenshuis te worden opgeborgen.
28. Natte filters en het binnenste deel van het vloestofreservoir moeten worden gedroogd voordat ze worden opgeborgen.
29. Behandel uw stofzuiger voorzichtig. Een ruwe behandeling kan leiden tot een defect van zelfs de meest stevig gebouwde stofzuiger.
30. Probeer niet de buitenkant of binnenkant van de stofzuiger schoon te maken met wasbenzine, thinner of schoonmaakmiddelen. Hierdoor kunnen barsten en verkleuringen ontstaan.
31. Gebruik de stofzuiger niet in een afgesloten ruimte waarin brandbare, explosieve of giftige dampen worden afgegeven door verf op olie-basis, thinner, benzine, bepaalde motenbestrijdingsmiddelen, enz., of op plaatsen waar brandbaar stof aanwezig is.
32. Gebruik dit of enig ander gereedschap niet wanneer u onder invloed bent van drugs of alcohol.
33. Als basisveiligheidsmaatregel gebruikt u een beschermende bril of veiligheidsbril met zijkstukken.
34. Gebruik een stofmasker onder stoffige werkomstandigheden.
35. Dit apparaat is niet bedoeld voor gebruik door personen, waaronder kinderen, met een verminderd lichamelijk, zintuiglijk of geestelijk vermogen, of gebrek aan kennis en ervaring.
36. Kinderen dienen onder toezicht te staan om ervoor te zorgen dat zij niet met de stofzuiger spelen.
37. Hanteer de stofzuiger en accu('s) nooit met natte handen.
38. Wees bijzonder voorzichtig tijdens stofzuigen op een trap.
39. Gebruik de stofzuiger niet als een kruk of werkbank. Anders kan het apparaat vallen, waardoor persoonlijk letsel kan worden veroorzaakt.

**Gebruik en verzorging van gereedschap dat op een accu werkt**

1. **Laad alleen op met de acculader aanbevolen door de fabrikant.** Een acculader die geschikt is voor een bepaald type accu, kan brandgevaar opleveren indien gebruikt met een ander type accu.
2. **Gebruik elektrisch gereedschap uitsluitend met de daarvoor bestemde accu.** Gebruik van andere accu's kan gevaar voor letsel of brandgevaar opleveren.
3. **Als de accu niet wordt gebruikt, houdt u deze**

uit de buurt van metalen voorwerpen, zoals paperclips, muntgeld, sleutels, spijkers, schroeven en andere kleine metalen voorwerpen die een kortsluiting kunnen veroorzaken tussen de accupolen. Kortsluiting tussen de accupolen kan leiden tot brandwonden of brand.

4. **Onder zware gebruiksomstandigheden kan vloeistof uit de accu komen. Voorkom aanraking!** Als u er per ongeluk mee in aanraking komt, spoelt u het er met water af. Als de vloeistof in uw ogen komt, raadpleegt u tevens een arts. Vloeistof uit de accu kan irritatie en brandwonden veroorzaken.
5. **Gebruik geen accu of gereedschap dat beschadigd of gewijzigd is.** Beschadigde of gewijzigde accu's kunnen onvoorspelbaar gedrag vertonen dat kan leiden tot brand, explosie of gevaar van letsel.
6. **Stel een accu of gereedschap niet bloot aan vuur of buitensporige temperaturen.** Blootstelling aan vuur of temperaturen hoger dan 130 °C kunnen een explosie veroorzaken.
7. **Volg alle oplaad instructies en laad de accu of het gereedschap niet op buiten het temperatuurbereik opgegeven in de instructies.** Verkeerd opladen of bij een temperatuur buiten het opgegeven bereik kan de accu beschadigen en de kans op brand vergroten.

## BEWAAR DEZE VOORSCHRIFTEN.

**⚠WAARSCHUWING:** Laat u NIET misleiden door een vals gevoel van comfort en bekendheid met het gereedschap (na veelvuldig gebruik) en neem alle veiligheidsvoorschriften van het betreffende gereedschap altijd strikt in acht. **VERKEERD GEBRUIK** of het niet naleven van de veiligheidsvoorschriften in deze gebruiksaanwijzing kan leiden tot ernstig letsel.

## Belangrijke veiligheidsinstructies voor een accu

1. **Lees alle voorschriften en waarschuwingen op (1) de acculader, (2) de accu, en (3) het product waarvoor de accu wordt gebruikt, alvorens de accu in gebruik te nemen.**
2. **Haal de accu niet uit elkaar en saboteer hem niet.** Dit kan leiden tot brand, buitensporige hitte of een explosie.
3. **Als de gebruikstijd van een opgeladen accu aanzienlijk korter is geworden, moet u het gebruik ervan onmiddellijk stopzetten.** Voortgezet gebruik kan oververhitting, brandwonden en zelfs een ontploffing veroorzaken.
4. **Als elektrolyt in uw ogen is terechtgekomen, spoelt u uw ogen met schoon water en roept u onmiddellijk de hulp van een dokter in.** Elektrolyt in de ogen kan blindheid veroorzaken.
5. **Voorkom kortsluiting van de accu:**
  - (1) **Raak de accuklemmen nooit aan met een geleidend materiaal.**
  - (2) **Bewaar de accu niet in een bak waarin**

andere metalen voorwerpen zoals spijkers, munten e.d. worden bewaard.

- (3) **Stel de accu niet bloot aan water of regen. Kortsluiting van de accu kan oorzaak zijn van een grote stroomafgifte, oververhitting, brandwonden, en zelfs defecten.**
6. **Bewaars en gebruik het gereedschap en de accu niet op plaatsen waar de temperatuur kan oplopen tot 50 °C of hoger.**
7. **Werp de accu nooit in het vuur, ook niet wanneer hij zwaar beschadigd of volledig versleten is. De accu kan ontploffen in het vuur.**
8. **Laat de accu niet vallen, sla er geen spijker in, snijd er niet in, gooi er niet mee en stoot hem niet tegen een hard voorwerp. Dergelijke handelingen kunnen leiden tot brand, buitensporige hitte of een explosie.**
9. **Gebruik nooit een beschadigde accu.**
10. **De bijgeleverde lithium-ionbatterijen zijn onderhevig aan de vereisten in de wetgeving omtrent gevaarlijke stoffen.**

Voor commercieel transport en dergelijke door derden en transporteurs moeten speciale vereisten ten aanzien van verpakking en etikettering worden nageleefd.

Als voorbereiding van het artikel dat wordt getransporteerd is het noodzakelijk een expert op het gebied van gevaarlijke stoffen te raadplegen. Houd u tevens aan mogelijk strengere nationale regelgeving.

Blootliggende contactpunten moeten worden afgedekt met tape en de accu moet zodanig worden verpakt dat deze niet kan bewegen in de verpakking.
11. **Wanneer u de accu wilt weggooien, verwijdert u de accu vanaf het gereedschap en gooit u hem op een veilige manier weg. Volg bij het weggooien van de accu de plaatselijke voorschriften.**
12. **Gebruik de accu's uitsluitend met de gereedschappen die door Makita zijn aanbevolen. Als de accu's worden aangebracht in niet-compatibele gereedschappen, kan dat leiden tot brand, buitensporige warmteontwikkeling, een explosie of lekkage van elektrolyt.**
13. **Als u het gereedschap gedurende een lange tijd niet denkt te gaan gebruiken, moet de accu vanaf het gereedschap worden verwijderd.**
14. **Tijdens en na gebruik, kan de accu heet worden waardoor brandwonden of koude brandwonden kunnen worden veroorzaakt. Wees voorzichtig bij het hanteren van een hete accu.**
15. **Raak de aansluitpunten van het gereedschap niet onmiddellijk na gebruik aan omdat deze heet genoeg kunnen zijn om brandwonden te veroorzaken.**
16. **Zorg ervoor dat geen steenslag, stof of grond vast komt te zitten op/in de aansluitpunten, openingen en groeven van de accu. Hierdoor kan oververhitting, brand, een barst en een storing in het gereedschap of de accu ontstaan waardoor brandwonden of persoonlijk letsel kunnen ontstaan.**
17. **Behalve indien gebruik van het gereedschap is toegestaan in de buurt van**

hoogspanningsleidingen, mag u de accu niet gebruiken in de buurt van een hoogspanningsleiding. Dit kan leiden tot een storing of een defect van het gereedschap of de accu.

18. **Houd de accu uit de buurt van kinderen.**

## BEWAAR DEZE INSTRUCTIES.

**⚠ LET OP:** Gebruik uitsluitend originele Makita accu's. Het gebruik van niet-originele accu's, of accu's die zijn gewijzigd, kan ertoe leiden dat de accu ontploft en brand, persoonlijk letsel en schade veroorzaakt. Ook vervalt daarmee de garantie van Makita op het gereedschap en de lader van Makita.

## Tips voor een maximale levensduur van de accu

1. **Laad de accu op voordat hij volledig ontladen is. Stop het gebruik van het gereedschap en laad de accu op telkens wanneer u vaststelt dat het vermogen van het gereedschap is afgenomen.**
2. **Laad een volledig opgeladen accu nooit opnieuw op. Te lang opladen verkort de levensduur van de accu.**
3. **Laad de accu op bij een omgevingstemperatuur tussen 10 °C en 40 °C. Laat een warme accu afkoelen alvorens hem op te laden.**
4. **Als de accu niet wordt gebruikt, verwijderd u hem vanaf het gereedschap of de lader.**
5. **Laad de accu op als u deze gedurende een lange tijd (meer dan zes maanden) niet gaat gebruiken.**

## BESCHRIJVING VAN DE ONDERDELEN

- Fig.1: 1. Hoofdeenheid 2. Vlotter 3. Vlotterkooi  
4. Doekfilter 5. Tank

## BESCHRIJVING VAN DE FUNCTIES

**⚠ LET OP:** Verzeker u er altijd van dat het apparaat is uitgeschakeld en de accu's zijn verwijderd voordat u de functies op het apparaat afstelt of controleert.

## De accu aanbrengen en verwijderen

**⚠️ LET OP:** Schakel het apparaat altijd uit voordat u de accu's aanbrengt of verwijderd.

**⚠️ LET OP:** Houd de stofzuiger en de accu's stevig vast tijdens het aanbrengen of verwijderen van de accu's. Als u dit niet doet, kunnen deze uit uw handen glippen waardoor de stofzuiger en de accu's kunnen worden beschadigd of persoonlijk letsel kan ontstaan.

**⚠️ LET OP:** Wees voorzichtig bij het sluiten of openen van het accudeksel dat uw vingers niet bekneld raken. Als u dit niet doet, kan persoonlijk letsel ontstaan.

De stofzuiger heeft twee accugleuven. Met twee identieke, parallel geplaatste accu's, kunt u de gebruiksduur van één of meerdere keren stofzuigen verlengen zonder te moeten stoppen om de accu's op te laden. De stofzuiger werkt ook met één accu, dus afhankelijk van uw behoeften kunt u kiezen tussen twee accu's of één accu.

► **Fig.2:** 1. Linker accugleuf 2. Rechter accugleuf

### Met twee accu's

Continue voeding door twee accu's maakt een langere gebruiksduur en efficiënter stofzuigen mogelijk. Wanneer de eerste accu leeg raakt, schakelt de stofzuiger automatisch de voedingsbron om naar de tweede accu zodat de stofzuiger blijft werken.

**OPMERKING:** De linker accugleuf (gezien vanaf de voorkant van de stofzuiger) krijgt voorrang op de rechter accugleuf. De rechter accugleuf wordt alleen als voedingsbron gebruikt als in de linker accugleuf geen accu is aangebracht of als de accu in de linker accugleuf leeg raakt.

**OPMERKING:** U kunt de accu uit de linker accugleuf verwijderen en deze opladen nadat de stofzuiger de voedingsbron heeft omgeschakeld van de linker accugleuf naar de rechter accugleuf zonder te zijn gestopt. Om de voorrang terug te geven aan de linker accugleuf nadat u daarin een opgeladen accu hebt aangebracht, start u de stofzuiger opnieuw op.

### Met één accu

Slechts één accu is vereist als voedingsbron in de linker of rechter accugleuf. De stofzuiger bepaalt automatisch welke accugleuf beschikbaar is aan de hand van de gebruiksomstandigheden.

### Aanbrengen en verwijderen

Om accu's aan te brengen, ontgrendelt u eerst de vergrendeling en opent u het accudeksel. Breng daarna de accu's aan.

► **Fig.3:** 1. Vergrendeling 2. Accudeksel

Lijn de lip op de accu's uit met de groeven in de accu-behuizing en duw de accu's op hun plaats. Steek ze er helemaal in tot ze op hun plaats worden vergrendeld met een klinkgeluid.

Sluit daarna het accudeksel.

► **Fig.4:** 1. Accu 2. Knop

Om de accu's te verwijderen, houdt u de knoppen aan de voorkant van de accu's ingedrukt en schuift u tegelijkertijd de accu's uit de accubehuizing.

**⚠️ LET OP:** Breng de accu altijd helemaal aan. Als u dit niet doet, kan de accu per ongeluk uit het apparaat vallen en u of anderen in uw omgeving verwonden.

**⚠️ LET OP:** Breng de accu niet met kracht aan. Als de accu niet gemakkelijk in het gereedschap kan worden geschoven, wordt deze niet goed aangebracht.

**OPMERKING:** Wanneer de stofzuiger de voedingsbron omschakelt van de eerste accu naar de tweede, kan het nodig zijn de werking tijdelijk te onderbreken, waardoor de zuigkracht kort verloren gaat. Merk op dat dit geen storing is en de stofzuiger na de pauze onmiddellijk weer de normale werking hervat.

## De resterende acculading controleren

Druk op de testknop op de accu om de resterende acculading te zien. De indicatorlampjes branden gedurende enkele seconden.

► **Fig.5:** 1. Indicatorlampjes 2. Testknop

Indicatorlampjes			Resterende acculading
Brandt	Uit	Knippert	
■ ■ ■ ■			75% tot 100%
■ ■ ■ □			50% tot 75%
■ ■ □ □			25% tot 50%
■ □ □ □			0% tot 25%
▣ □ □ □			Laad de accu op.
■ ■ □ □			Er kan een storing zijn opgetreden in de accu.
□ □ ■ ■			

**OPMERKING:** Afhankelijk van de gebruiksomstandigheden en de omgevingstemperatuur, is het mogelijk dat de aangegeven acculading verschilt van de werkelijke acculading.

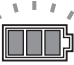
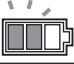
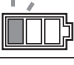
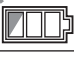

**OPMERKING:** Het eerste (meest linker) indicatorlampje knippert wanneer het accubeveiligingssysteem in werking is getreden.

## Accu-indicators op het bedieningspaneel

De resterende acculading kan op elk moment worden afgelezen op het bedieningspaneel. Druk op de controleknop waarna de linker en rechter accu-indicators de respectievelijke acculaadniveaus aangeven.

► **Fig.6:** 1. Accu-indicators 2. Testknop

► **Fig.7**

Toestand van accu-indicator			Resterende acculading
Aan	Uit	Knippert	
			50% tot 100%
			20% tot 50%
			0% tot 20%
			Laad de accu op.
			Accu niet aangebracht

**OPMERKING:** De accu-indicators worden tevens geactiveerd wanneer de stofzuiger wordt ingeschakeld of wanneer deze de voedingsbron omschakelt van de ene naar de andere accu.



## Apparaat-/accubeveiligingssysteem

Het apparaat is uitgerust met een apparaat-/accubeveiligingssysteem. Dit systeem schakelt automatisch de voeding naar de motor uit om de levensduur van het apparaat en de accu te verlengen. Het apparaat zal tijdens het gebruik automatisch stoppen wanneer het apparaat of de accu zich in één van de volgende omstandigheden bevindt:


### Overbelastingsbeveiliging

Wanneer het apparaat/de accu wordt gebruikt op een manier die een abnormaal hoge stroomsterkte vergt, stopt het apparaat automatisch. Schakel in dat geval het apparaat uit en stop met de toepassing die ertoe leidde dat het apparaat overbelast raakte. Schakel vervolgens het apparaat in om het weer te starten.

### Oververhittingsbeveiliging

<input type="checkbox"/> Aan	<input checked="" type="checkbox"/> Knippert
	

Wanneer het apparaat oververhit is, stopt het apparaat automatisch en knipperen de linker en rechter accu-indicators. Laat in die situatie het apparaat afkoelen voordat u het apparaat weer inschakelt.

<input type="checkbox"/> Aan	<input checked="" type="checkbox"/> Knippert
	

Als de accu oververhit is, stopt het apparaat automatisch en knippert één van de indicators van de oververhitte accu. Laat in dat geval de accu afkoelen voordat u het apparaat weer inschakelt.

## Beveiliging tegen te ver ontladen

Als de acculading laag is, stopt het apparaat automatisch. Als het apparaat niet werkt bij bediening van de schakelaar, verwijdert u de accu's uit het apparaat en laadt u ze op.

## Beveiliging tegen andere oorzaken

Het beveiligingssysteem is ook ontworpen voor andere oorzaken die het apparaat kunnen beschadigen, en zorgt ervoor dat het apparaat onmiddellijk stopt. Voer alle volgende stappen uit om de oorzaken op te heffen, wanneer het apparaat tijdelijk is onderbroken of tijdens het gebruik is gestopt.

1. Schakel het apparaat uit en schakel het daarna weer in om het opnieuw te starten.
2. Laad de accu('s) op of vervang hem/ze door (een) opgeladen accu('s).
3. Laat het apparaat en de accu('s) afkoelen.

Als geen verbetering optreedt nadat het beveiligingssysteem is gereset, neemt u contact op met uw lokale Makita-servicecentrum.

## De trekkerschakelaar gebruiken

### De stofzuiger inschakelen

1. Draai de standbyschakelaar naar de stand "I" (aan) om de stofzuiger gebruiksklaar te zetten in de standby-stand.
2. Druk op de aan-uitknop. Om terug te gaan naar de standby-stand, drukt u nogmaals op de aan-uitknop.

### De stofzuiger uitschakelen

Voer een van de volgende stappen uit.

- Druk op de aan-uitknop om de stofzuiger weer in de standby-stand te zetten, en draai vervolgens de standbyschakelaar naar de stand "O" (uit).
- Draai de standbyschakelaar naar de stand "O" (uit).

### De zuigkracht instellen

De zuigkracht kan worden ingesteld overeenkomstig de behoefte van de werkzaamheden.

- Draai de zuigkracht-instelknop naar links om de zuigkracht te verlagen.
- Draai de zuigkracht-instelknop naar rechts om de zuigkracht te verhogen.

► **Fig.8:** 1. Standby-schakelaar 2. Aan-uitknop 3. Zuigkracht-instelknop

## Automatische zuigonderbreking tijdens nat zuigen

**⚠ WAARSCHUWING:** Gebruik niet langdurig terwijl de vlotter in werking is getreden. Als u de stofzuiger langdurig gebruikt terwijl de vlotter in werking is getreden, kan hij oververhit raken, waardoor de stofzuiger kan vervormen.

**⚠ WAARSCHUWING:** Zuig geen schuim of zepige vloeistoffen op. Hierdoor kan schuim uit de luchtuitstroomopening komen voordat de vlotter in werking treedt. Aanhoudend gebruik onder dergelijke omstandigheden kan leiden tot een elektrische schok en een defect van de stofzuiger.

De functie voor automatische zuigonderbreking werkt alleen terwijl de stofzuiger wordt gebruikt met de vlotter en vlotterkooi.

De stofzuiger is uitgerust met een vlottermechanisme dat voorkomt dat water in de motor komt wanneer meer dan een bepaalde hoeveelheid water wordt opgezogen. Wanneer de tank vol is en de stofzuiger geen water meer opzuigt, schakelt u de stofzuiger uit en maakt u de tank leeg.

## De wieltjes vergrendelen en ontgrendelen

De wieltjes aan de achterkant kunnen worden vergrendeld door middel van een rem om de stofzuiger op zijn plaats te houden.

Zet de remhendel met de hand omlaag om het wieltje te vergrendelen en zet hem omhoog om te ontgrendelen.

► **Fig.9:** 1. Wieltje 2. Remhendel 3. Stand LOS  
4. Stand REM

**OPMERKING:** Voordat u de stofzuiger verplaatst, controleert u of het wieltje niet op de rem staat. Als u de stofzuiger verplaatst terwijl het wieltje op de rem staat, kan het wieltje worden beschadigd.

## Draaghandgreep

**⚠ LET OP:** Wees voorzichtig wanneer u het apparaat optilt en draagt. Als u dat niet doet, kan dit leiden tot persoonlijk letsel of beschadiging van het apparaat.

Wanneer u de stofzuiger draagt, draagt u deze aan de handgreep op de hoofdeenheid. Wanneer de handgreep niet in gebruik is, kan deze worden weggeklapt in de hoofdeenheid.

► **Fig.10**

## MONTAGE

**⚠ LET OP:** Verzeker u er altijd van dat het apparaat is uitgeschakeld en de accu's zijn verwijderd voordat u enige werkzaamheden aan het apparaat uitvoert.

**⚠ LET OP:** Draag altijd een stofmasker tijdens montage en onderhoud.

## Het poederfilter (HEPA) en voorfilter aanbrengen (voor droog stof)

### Optioneel accessoire

**⚠ LET OP:** Zuig nooit water of een andere vloeistof of nat stof op wanneer een poederfilter wordt gebruikt. Als u dergelijke stoffen opzuigt, kan het poederfilter stuk gaan.

Gebruik van het poederfilter:

1. Draai de schroeven los waarmee de vlotterkooi is vastgezet en verwijder daarna de schroeven, vlotterkooi en vlotter uit de hoofdeenheid.

► **Fig.11:** 1. Schroef 2. Vlotterkooi 3. Vlotter  
4. Hoofdeenheid

2. Verwijder het doekfilter uit de tank.

► **Fig.12:** 1. Doekfilter 2. Tank

3. Plaats het voorfilter in de tank door de montagepositiemarkeringen op het voorfilter en de tank met elkaar uit te lijnen.

4. Plaats de demper in het voorfilter en plaats vervolgens het poederfilter over de demper door de montagepositiemarkeringen op het poederfilter en het voorfilter met elkaar uit te lijnen.

5. Plaats de hoofdeenheid op de tank en bevestig deze met behulp van de vergrendelingen.

► **Fig.13:** 1. Hoofdeenheid 2. Poederfilter (HEPA) 3. Demper 4. Voorfilter 5. Tank  
6. Montagepositiemarkeringen

**KENNISGEVING:** Alvorens het poederfilter te gebruiken, verzekert u zich ervan dat het voorfilter en de demper tezamen worden gebruikt. Het is niet toegestaan om het poederfilter alleen te gebruiken.

## Het waterfilter aanbrengen

### Optioneel accessoire

**KENNISGEVING:** Zuig nooit water of nat stof op zonder dat de vlotter en het doekfilter of het waterfilter is aangebracht.

**KENNISGEVING:** Om nat stof op te zuigen, zorgt u ervoor dat de vlotterkooi en de vlotter zijn aangebracht in de stofzuiger.

**KENNISGEVING:** Bij het aanbrengen van het waterfilter in de tank, zorgt u ervoor dat dit strak staat bij de opening van de tank zodat de haak van het waterfilter stevig aangrijpt in de tankopening, en er geen ruimte zit tussen het waterfilter en de tank.

Om alleen water of nat stof op te zuigen, is het waterfilter beter geschikt dan het doekfilter. Lijn bij het aanbrengen van het waterfilter zijn montagepositiemarkering uit met die op de tank.

- **Fig.14:** 1. Waterfilter 2. Tank  
3. Montagepositiemarkeringen

**OPMERKING:** Wij adviseren u het waterfilter te gebruiken wanneer u herhaaldelijk grote hoeveelheden water opzuigt. Anders zal, in geval van een doekfilter, de zuigkracht worden verlaagd.

## De papieren stofzak aanbrengen

### Optioneel accessoire

**WAARSCHUWING:** Alvorens een papieren stofzak te gebruiken, verzekert u zich ervan dat het doekfilter of voorfilter tegelijkertijd wordt gebruikt. Als u het doekfilter/voorfilter niet tegelijkertijd ermee gebruikt, kan een ongebruikelijk geluid en warmte worden veroorzaakt, waardoor brand kan ontstaan.

**KENNISGEVING:** Zuig nooit water of een andere vloeistof of nat stof op wanneer een papieren stofzak wordt gebruikt. Als u dergelijke stoffen opzuigt, kan de papieren stofzak stuk gaan.

**KENNISGEVING:** Bij gebruik van het doekfilter, verzekert u zich ervan dat de vlotter en de vlotterkooi zijn bevestigd aan de hoofdeenheid.

**KENNISGEVING:** Bij gebruik van het voorfilter verzekert u zich ervan dat het poederfilter en de demper tezamen worden gebruikt.

1. Vouw de papieren stofzak uit.
2. Lijn de opening van de papieren stofzak uit met de stofinlaat van de tank.
3. Breng de papieren stofzak aan in de tank met zijn kartonnen opening vastgehaakt aan de papieren-stofzakhouder.  
► **Fig.15:** 1. Papieren stofzak 2. Kartonnen opening 3. Papieren-stofzakhouder 4. Stofinlaat

## De polyethyleenzak aanbrengen

Als een polyethyleenzak is aangebracht in de tank, kunt u de tank eenvoudig legen zonder dat uw handen vies

worden.

Leg een polyethyleenzak over de tank en steek één kant van de geopende bovenrand van de zak tussen de houderplaat en de voorwand van de tank.

- **Fig.16:** 1. Houderplaat 2. Voorwand van de tank  
3. Polyethyleenzak

Spread de rest van de bovenrand van de zak naar buiten over de bovenrand van de tank. Plaats het doekfilter of voorfilter bovenop de polyethyleenzak om de opening van de zak stevig vast te zetten.

- **Fig.17:** 1. Doekfilter/voorfilter

**OPMERKING:** U kunt een polyethyleenzak uit de winkel gebruiken. Wij adviseren een zak met een dikte van 0,04 mm of meer te gebruiken.

**OPMERKING:** Bij een te grote hoeveelheid stof, zal de zak gemakkelijk scheuren, dus vervangt u de zak wanneer deze pas half vol zit.

## De tank met polyethyleenzak legen

**WAARSCHUWING:** Zorg er altijd voor dat de stofzuiger is uitgeschakeld en de accu's zijn verwijderd voordat u de tank leegt. Als u dit niet doet, kunt u een elektrische schok krijgen en kan ernstig persoonlijk letsel ontstaan.

**KENNISGEVING:** Oefen geen sterke schokken uit op de vlotterkooi en de tank. Als u een grote schok uitoefent, kunnen vervormingen van en schade aan de onderdelen ontstaan.

**KENNISGEVING:** Leeg de tank minstens eenmaal per dag, al is dit afhankelijk van de opgezogen hoeveelheid stof in de tank. Anders zal de zuigkracht afnemen en kan de motor defect raken.

**KENNISGEVING:** Pak de haak of vergrendelingen niet vast wanneer u de tank leegt. Als u de haak of vergrendelingen vastpakt, kunnen deze afbreken.

Ontgrendel de vergrendelingen en til de hoofdeenheid van de tank af.

Schud het stof van het doekfilter of voorfilter af voordat u het filter van de tank af tilt.

Verwijder daarna de polyethyleenzak uit de tank, waarbij u de opening van de zak met uw hand dicht houdt.

- **Fig.18:** 1. Polyethyleenzak 2. Tank

**OPMERKING:** Haal de polyethyleenzak voorzichtig uit de tank om te voorkomen dat deze vasthaakt en uitscheurt aan de binnenrand van de tank.

**OPMERKING:** Leeg de polyethyleenzak voordat deze vol is. Te veel stof in de tank kan ertoe leiden dat de polyethyleenzak scheurt.

## De multahaak aanbrengen

Gebruik de multahaak voor het opbergen van de slang, accessoires en hulpstukken die niet in gebruik zijn om deze snel te kunnen pakken wanneer u ze nodig hebt.

- **Fig.19**

Plaats de multahaak op de bevestigingsvoet aan de achterkant van de stofzuiger, waarbij de rails op de multahaak in de groeven op de bevestigingsvoet wordt

geschoven.

► **Fig.20:** 1. Multihaak 2. Bevestigingsvoet

## De MAKPAC-adapter aanbrengen

### Optioneel accessoire

Met behulp van een optionele adapter kunnen MAKPAC-opbergkoffers worden bevestigd en gestapeld bovenop de stofzuiger. De koffers zijn leverbaar in vele maten en stijlen om tegemoet te komen aan uw voorkeuren.

Plaats de haken van de bevestigingsvoet over de handgreep van de stofzuiger met het montageoppervlak ervan omhoog gericht wanneer de handgreep omlaag is geklapt.

► **Fig.21:** 1. Haak van de bevestigingsvoet  
2. Montageoppervlak 3. Handgreep

Monteer de MAKPAC-adapter op de haak van de bevestigingsvoet en bevestig deze aan elkaar met behulp van de vier bijgeleverde schroeven.

► **Fig.22:** 1. MAKPAC-adapter 2. Haak van de bevestigingsvoet 3. Schroef

Zet de duwstang omhoog en draai de knop vast ter voorbereiding van het aanbrengen van de MAKPAC-koffers op de stofzuiger.

► **Fig.23:** 1. Duwstang 2. Knop

**OPMERKING:** Voor meer informatie over het aanbrengen van MAKPAC-koffers raadpleegt u de instructies die bij de MAKPAC-adapters en -koffers werden geleverd.

## De slang aanbrengen

**KENNISGEVING:** U mag de slang niet forceren of erop gaan staan. Trek de stofzuiger nooit mee aan de slang. Door de slang te forceren, erop te staan of eraan te trekken, kan hij kapot gaan of vervormen.

**KENNISGEVING:** Wanneer groot afval wordt opgezogen, zoals houtkrullen, cementkorrels of soortgelijk afval anders dan zeer klein afval, gebruikt u de slang met een binnendiameter van 38 mm (optioneel accessoire). Als u de slang met een binnendiameter van 28 mm (optioneel accessoire) gebruikt, kan de slang verstopt en beschadigd raken.

### Aansluiten op de stofzuiger

Steek het slanguiteinde in de stofinlaat (slangaansluiting) van de stofzuiger en draai hem daarna rechtsom tot hij op zijn plaats vastklikt.

► **Fig.24:** 1. Slang 2. Stofinlaat (slangaansluiting)

### Aansluiten op uw werkgereedschappen (afhankelijk van het land)

Door de stofzuiger aan te sluiten op een van de verkrijgbare werkgereedschappen die compatibel zijn met de stofzuiger, werkt deze als stofafzuiging voor uw elektrisch gereedschap.

Om een gereedschap aan te sluiten op de stofzuiger, zijn een speciale slang en/of extra onderdelen noodzakelijk. Afhankelijk van uw model stofzuiger dient u de slang te vervangen en/of extra onderdelen voor te

bereiden.

Selecteer een van de voorste aansluitstukken of verloopstukken (optionele accessoires) die het meest geschikt is voor uw model gereedschap. Plaats het aansluitstuk of verloopstuk tussen het voorste uiteinde van de stofzuigerslang en de stofafzuigaansluiting op uw gereedschap.

► **Fig.25:** 1. Voorste aansluitstuk of verloopstuk  
2. Stofzuigerslang 3. Elektrisch gereedschap 4. Stofzuiger

## De hulpstukken van de stofzuiger aanbrengen en verwijderen

**⚠ LET OP:** Controleer na het aanbrengen van een hulpstuk of dit stevig is aangebracht. Als het hulpstuk niet correct is aangebracht, kan het eraf vallen en persoonlijk letsel veroorzaken.

## De bochtbuis bevestigen

### Optioneel accessoire

**OPMERKING:** U hoeft deze procedure niet uit te voeren als uw model werd geleverd met een bochtbuis bevestigd aan de slang.

De bochtbuis wordt gebruikt om de telescoopbuis of het mondstuk voor stofzuigen aan te sluiten op dit apparaat. Als u dit apparaat wilt gebruiken als een stofzuiger, bevestigt u de bochtbuis aan de slang.

### Voor de opschroef-bochtbuis

Om te bevestigen, draait u het voorste aansluitstuk los van de slang, en bevestigt u de mof van de bochtbuis aan de slang.

Om te verwijderen, maakt u de mof van de bochtbuis los van de slang.

► **Fig.26:** 1. Slang 2. Bochtbuis 3. Mof

### Voor de opklik-bochtbuis

Om te bevestigen, steekt u het slanguiteinde in de bochtbuis. Verzekert u ervan dat de lippen op het slanguiteinde in de uitsparingen in de bochtbuis vallen. Om te verwijderen, trekt u aan de bochtbuis terwijl u beide lippen op het slanguiteinde indrukt.

► **Fig.27:** 1. Slanguiteinde 2. Lip 3. Uitsparing  
4. Bochtbuis

## Bij gebruik van een hulpstuk zonder vergrendelfunctie

### Optioneel accessoire

Steek een hulpstuk in de aanzuigopening van de stofzuiger door het met de hand erin te duwen en op zijn plaats te draaien.

Na gebruik verdraait u het hulpstuk met de hand en trekt u het uit de aanzuigopening.

► **Fig.28**

## Bij gebruik van een hulpstuk met vergrendelfunctie

### Optioneel accessoire

**KENNISGEVING:** Bij het aanbrengen van het hulpstuk met vergrendelfunctie, moet u de ontgrenselknop uitlijnen met de haak op het hulpstuk. Als deze niet uitgelijnd zijn, zal het hulpstuk niet vergrendeld worden en kan deze van de stofzuiger af vallen.

Steek een hulpstuk in de aanzuigopening van de stofzuiger door deze erin te duwen tot u een klikgeluid hoort.

Om het hulpstuk te verwijderen, drukt u op de ontgrenselknop en trekt u het er tegelijkertijd af.

► **Fig.29:** 1. Aanzuigopening met vergrendelfunctie 2. Ontgrenselknop 3. Hulpstuk met vergrendelfunctie

**OPMERKING:** Het hulpstuk met vergrendelfunctie kan alleen worden aangesloten op een aanzuigopening met vergrendelfunctie.

► **Fig.30:** 1. Hulpstuk met vergrendelfunctie  
2. Aanzuigopening met vergrendelfunctie  
3. Aanzuigopening zonder vergrendelfunctie

## Het mondstuk en de buis bevestigen

### Optioneel accessoire

**OPMERKING:** Het type mondstuk en buis dat bij het apparaat wordt geleverd, verschilt afhankelijk van het land. In sommige landen zijn het mondstuk en de buis niet inbegrepen.

Draai en steek het mondstuk in de telescoopbuis.

► **Fig.31:** 1. Telescoopbuis 2. Flexibel rubber mondstuk 3. Hoekmondstuk 4. Vloermondstuk

**OPMERKING:** Door het mondstuk te draaien terwijl u het erin steekt, kan het mondstuk stevig worden bevestigd op de telescoopbuis.

**OPMERKING:** Voor het model met een slang van  $\varnothing 38$  mm en voorste aansluitstuk 38, bevestigt u het bijgeleverde mondstuk aan de aluminium bochtbuis/aluminium rechte buis.

Bij gebruik van het T-wisselmondstuk vloer/tapijt kunt u de functie veranderen afhankelijk van de plaats van gebruik.

- Vloerfunctie: geschikt voor een gladde ondergrond, zoals een harde vloer
- Tapijtfunctie: geschikt voor een harige ondergrond, zoals een tapijt of karpet

► **Fig.32:** 1. T-wisselknop 2. Vloerfunctie 3. Tapijtfunctie

## De lengte van de telescoopbuis met knop afstellen

### Optioneel accessoire

Een telescoopbuis met knop kan op het apparaat worden aangesloten voor grotere of kleinere lengten. Hiermee is het mogelijk om te stofzuigen op moeilijk bereikbare plaatsen en een comfortabele werkhouding

aan te nemen.

Houd de schuifknop ingedrukt en schuif de schuifbuis in en uit om de buislengte te veranderen.

Laat de schuifknop los om de schuifbuis op de gewenste lengte te vergrendelen.

► **Fig.33:** 1. Schuifbuis 2. Schuifknop

## ONDERHOUD

**⚠ LET OP:** Verzeker u er altijd van dat het apparaat is uitgeschakeld en de accu's zijn verwijderd voordat u inspectie- of onderhoudswerkzaamheden uitvoert.

**KENNISGEVING:** Gebruik nooit benzine, wasbenzine, thinner, alcohol en dergelijke. Hierdoor kunnen verkleuring, vervormingen en barsten worden veroorzaakt.

Om de VEILIGHEID en BETROUWBAARHEID van het gereedschap te handhaven, dienen alle reparaties, onderhoud of afstellingen te worden uitgevoerd bij een erkend Makita-servicecentrum of de Makita-fabriek, en altijd met gebruik van Makita-ervangingsonderdelen.

## Bewaren van accessoires

Accessoires en hulpstukken die niet worden gebruikt, zoals mondstukken en borstels, kunnen worden opgeborgen op de multihaak aan de achterkant van de stofzuiger.

► **Fig.34:** 1. Multihaak 2. Accessoires en hulpstukken die niet worden gebruikt

Buizen (met een optionele stop aangebracht) kunnen in de buishouder worden geplaatst wanneer de stofzuiger gedurende een korte tijd niet wordt gebruikt.

► **Fig.35:** 1. Stop (optioneel accessoire)  
2. Buihouder

De slang kan in grote cirkels rond de behuizing of handgreep van de stofzuiger worden gewikkeld en opgeborgen. Sluit de beide uiteinden ervan op elkaar aan om de cirkels te sluiten, en haak de cirkels aan de rechtopstaande handgreep. U kunt ook het achterste uiteinde aangesloten laten zitten op de slangaansluiting van de stofzuiger en de cirkel aan de multihaak hangen met het losse slanguiteinde ergens aan vastgemaakt.

► **Fig.36**

► **Fig.37**

## Het doekfilter schoonmaken

Maak het doekfilter regelmatig schoon aangezien een verstopt doekfilter leidt tot slechte zuigprestaties.

Daarbij veegt en schudt u het stof met de hand van het doekfilter af.

► **Fig.38:** 1. Doekfilter



## Het poederfilter (HEPA) en voorfilter schoonmaken

### Optioneel accessoire

Maak het poederfilter, het voorfilter en de demper regelmatig schoon aangezien verstopte filters en demper leiden tot slechte zuigprestaties.

Daarbij veegt en schudt u het stof met de hand van de filters en demper af.

Was af en toe het poederfilter in water, spoel het en laat het goed drogen in de schaduw voordat u het weer gebruikt. Was de filters nooit in een wasmachine.

► Fig.39

**OPMERKING:** Schrob of kras het poederfilter, het voorfilter of de demper nooit met harde voorwerpen, zoals een borstel of een schuurspons.

**OPMERKING:** De filters verslijten na verloop van tijd. Wij adviseren u ze in reserve paraat te houden.

## OPTIONELE ACCESSOIRES

**⚠ LET OP:** Deze accessoires of hulpstukken worden aanbevolen voor gebruik met het Makita gereedschap dat in deze gebruiksaanwijzing is beschreven. Bij gebruik van andere accessoires of hulpstukken bestaat het gevaar van persoonlijke letsel. Gebruik de accessoires of hulpstukken uitsluitend voor hun bestemde doel.

Sommige accessoires kunnen niet worden aangebracht als gevolg van de combinatie van de onderdelen.

Wenst u meer bijzonderheden over deze accessoires, neem dan contact op met het plaatselijke Makita-servicecentrum.

- Slang
- Voorste aansluitstukken (22, 24, 38)
- Rechte buis
- Telescoopbuis
- Hoekmondstuk
- Ronde borstel
- Poederfilter, HEPA (voor droog stof)
- Demper
- Voorfilter
- Waterfilter
- Doekfilter
- Vloermondstuk
- Bochtbuis
- Polyethyleenzak
- Papieren stofzak
- MAKPAC-adapter
- Originele Makita accu's en acculaders

**OPMERKING:** Sommige items op de lijst kunnen zijn inbegrepen in de doos van het gereedschap als standaard toebehoren. Deze kunnen van land tot land verschillen.

## ADVERTENCIA

- Esta máquina no ha sido prevista para ser utilizada por personas (incluidos niños) con capacidades físicas, sensoriales o mentales reducidas, o falta de experiencia y conocimiento.
- Los niños pequeños deberán ser supervisados para asegurarse de que no juegan con la aspiradora.
- Consulte el capítulo "ESPECIFICACIONES" para ver la referencia del tipo de batería.
- Consulte la sección "Instalación o extracción del cartucho de batería" para ver cómo retirar o instalar la batería.
- Para desechar el cartucho de batería, retírelo de la herramienta y deséchelo en un lugar seguro. Siga los reglamentos locales referentes al desecho de la batería.
- Si la herramienta no va a ser utilizada durante un periodo de tiempo largo, la batería deberá ser retirada de la herramienta.
- No cortocircuite el cartucho de batería.
- Consulte el capítulo "MANTENIMIENTO" para ver los detalles apropiados de las precauciones durante el mantenimiento hecho por el usuario.

## ESPECIFICACIONES

Modelo:		VC001GL	VC003GL
Tipo de filtro estándar		Filtro de paño (para polvo seco y mojado)	
Volumen máximo de aire en el extremo de la manguera (con BL4040, manguera de ø32 mm x 1,7 m)		2,7 m <sup>3</sup> /min	
Volumen máximo de aire en la turbina (con BL4040)		4,2 m <sup>3</sup> /min	
Aspiración (con BL4040)		23 kPa	
Capacidad recuperable	Polvo	8 L	15 L
	Agua	6 L	12 L
Dimensiones (La x An x Al)		366 mm x 334 mm x 425 mm	366 mm x 334 mm x 475 mm
Tensión nominal		CC 36 V - 40 V máx.	
Peso neto		8,1 - 11,2 kg	8,4 - 11,5 kg
Grado de protección		IPX4	

- Debido a nuestro continuado programa de investigación y desarrollo, las especificaciones aquí dadas están sujetas a cambios sin previo aviso.
- Las especificaciones y el cartucho de batería pueden diferir de país a país.
- El peso no incluye accesorios excepto el cartucho(s) de batería. El peso de las combinaciones menos pesada y más pesada del aparato y cartucho(s) de batería se muestra en la tabla.
- Para polvo mojado, se requieren el flotador y el filtro de agua o filtro de paño.

## Cartucho de batería y cargador aplicables

Cartucho de batería	BL4020 / BL4025 / BL4040* / BL4040F* / BL4050F* / BL4080F* * : Batería recomendada
Cargador	DC40RA / DC40RB / DC40RC / DC40WA

- Algunos de los cartuchos de batería y cargadores indicados arriba puede que no estén disponibles dependiendo de su región de residencia.

**⚠ ADVERTENCIA:** Utilice solamente los cartuchos de batería y cargadores indicados arriba. La utilización de cualquier otro cartucho de batería y cargador puede ocasionar heridas y/o un incendio.

## Símbolos

A continuación se muestran los símbolos que pueden ser utilizados para el equipo. Asegúrese de que entienda su significado antes de utilizar.



Lea el manual de instrucciones.



Preste cuidado y atención especiales.



¡Advertencia! La aspiradora puede contener polvo peligroso.



No se ponga nunca encima de la aspiradora.



Polvo de clase L (ligero). Las aspiradoras son capaces de recoger polvo de clase L. Siga los reglamentos de su país en relación con el polvo y la salud y seguridad laborales.



Ni-MH  
Li-ion

Sólo para países de la Unión Europea Debido a la presencia de componentes peligrosos en el equipo, el equipo eléctrico y electrónico, los acumuladores y las baterías desechados pueden tener un impacto negativo para el medioambiente y la salud humana.

¡No tire los aparatos eléctricos y electrónicos ni las baterías junto con los residuos domésticos!

De conformidad con las Directivas Europeas sobre residuos de aparatos eléctricos y electrónicos y sobre acumuladores y baterías y residuos de acumuladores y baterías, así como la adaptación de las mismas a la ley nacional, el equipo eléctrico, las baterías y los acumuladores desechados deberán ser almacenados por separado y trasladados a un punto distinto de recogida de desechos municipales, que cumpla con los reglamentos sobre protección medioambiental. Esto se indica mediante el símbolo de cubo de basura tachado colocado en el equipo.

## Uso previsto

El aparato ha sido previsto para recoger tanto polvo seco como mojado. El aparato es apropiado para uso comercial, por ejemplo, en hoteles, escuelas, hospitales, fábricas, tiendas, oficinas y negocios de alquiler.

## Ruido

El nivel de ruido A-ponderado típico determinado de acuerdo con la norma EN60335-2-69:

### Modelo VC001GL

Nivel de presión sonora ( $L_{pA}$ ) : 70 dB (A) o menos  
Error (K) : 2,5 dB (A)

### Modelo VC003GL

Nivel de presión sonora ( $L_{pA}$ ) : 70 dB (A) o menos  
Error (K) : 2,5 dB (A)

El nivel de ruido en situación de trabajo puede exceder 80 dB (A).

**NOTA:** El valor (o los valores) de emisión de ruido declarado ha sido medido de acuerdo con un método de prueba estándar y se puede utilizar para comparar una herramienta con otra.

**NOTA:** El valor (o valores) de emisión de ruido declarado también se puede utilizar en una valoración preliminar de exposición.

**⚠ADVERTENCIA:** Póngase protectores para oídos.

**⚠ADVERTENCIA:** La emisión de ruido durante la utilización real de la herramienta eléctrica puede variar del valor (o los valores) de emisión declarado dependiendo de las formas en las que la herramienta sea utilizada, especialmente qué tipo de pieza de trabajo se procesa.

**⚠ADVERTENCIA:** Asegúrese de identificar medidas de seguridad para proteger al operario que estén basadas en una estimación de la exposición en las condiciones reales de utilización (teniendo en cuenta todas las partes del ciclo operativo como las veces cuando la herramienta está apagada y cuando está funcionando en vacío además del tiempo de gatillo).

## Vibración

El valor total de la vibración (suma de vectores triaxiales) determinado de acuerdo con la norma EN60335-2-69:

### Modelo VC001GL

Emisión de vibración ( $a_{h,M}$ ): 2,5 m/s<sup>2</sup> o menos  
Error (K) : 1,5 m/s<sup>2</sup>

### Modelo VC003GL

Emisión de vibración ( $a_{h,M}$ ): 2,5 m/s<sup>2</sup> o menos  
Error (K) : 1,5 m/s<sup>2</sup>

**NOTA:** El valor (o los valores) total de emisión de vibración declarado ha sido medido de acuerdo con un método de prueba estándar y se puede utilizar para comparar una herramienta con otra.

**NOTA:** El valor (o los valores) total de emisión de vibración declarado también se puede utilizar en una valoración preliminar de exposición.

**⚠ADVERTENCIA:** La emisión de vibración durante la utilización real de la herramienta eléctrica puede variar del valor (o los valores) de emisión declarado dependiendo de las formas en las que la herramienta sea utilizada, especialmente qué tipo de pieza de trabajo se procesa.

**⚠ADVERTENCIA:** Asegúrese de identificar medidas de seguridad para proteger al operario que estén basadas en una estimación de la exposición en las condiciones reales de utilización (teniendo en cuenta todas las partes del ciclo operativo como las veces cuando la herramienta está apagada y cuando está funcionando en vacío además del tiempo de gatillo).

## Declaraciones de conformidad

### Para países europeos solamente

Las declaraciones de conformidad están incluidas como Anexo A de este manual de instrucciones.

# ADVERTENCIAS DE SEGURIDAD

## Advertencias de seguridad para la aspiradora a batería

**⚠️ ADVERTENCIA: ¡IMPORTANTE! LEA CON ATENCIÓN** todas las advertencias de seguridad y todas las instrucciones ANTES DE UTILIZAR. No seguir las advertencias e instrucciones puede resultar en una descarga eléctrica, un incendio y/o heridas graves.

1. Antes de utilizar, asegúrese de que esta aspiradora sea utilizada por personas que han sido instruidas adecuadamente sobre cómo usar esta aspiradora.
2. Antes de utilizar, a los operarios se les deberá proveer información, instrucciones y adiestramiento para la utilización de la máquina y las sustancias para las que se va a utilizar, incluyendo el método seguros de remoción y desecho del material recogido.
3. Si emerge espuma/líquido, apague inmediatamente.
4. Limpie el dispositivo de limitación del nivel de agua regularmente y examínelo por si hay señales de daños.
5. Asegúrese siempre de que los filtros están instalados correctamente antes de utilizar. No utilice la aspiradora sin estar instalados los filtros. Reemplace un filtro dañado inmediatamente. Se recomienda tener algunos de repuesto porque los filtros son artículos de consumo.
6. **EVITE UNA PUESTA EN MARCHA INVOLUNTARIA.** Asegúrese de que el interruptor está desactivado cuando instale la batería(s).
7. No intente recoger materiales inflamables, fuegos de artificio, cigarrillos encendidos, cenizas calientes, virutas metálicas calientes ni materiales cortantes como cuchillas de afeitar, agujas, cristales rotos o similares.
8. **NO UTILICE NUNCA LA ASPIRADORA CERCA DE GASOLINA, GAS, PINTURA, ADHESIVOS U OTRAS SUSTANCIAS ALTAMENTE EXPLOSIVAS.** El interruptor emite chispas cuando se activa y desactiva. Y también lo hace el conmutador del motor durante la operación. Puede resultar en una peligrosa explosión.
9. Nunca aspire materiales tóxicos, cancerígenos, combustibles u otros materiales peligrosos como asbestos, arsénico, bario, berilio, plomo, pesticidas, u otros materiales que puedan poner en peligro la salud.
10. Ponga siempre la aspiradora sobre una superficie horizontal plana para evitar que se caiga o se mueva accidentalmente.
11. No utilice nunca la aspiradora en exteriores bajo la lluvia.
12. Para Finlandia, esta máquina no es para ser usada en exteriores con temperatura baja.
13. No utilice cerca de fuentes de calor (estufas, etc.).
14. Si el aire expulsado es devuelto a la habitación, será necesario proveer un régimen adecuado de cambio de aire en la habitación. Consultar las normativas nacionales es necesario.
15. No bloquee las aberturas de la boca de succión/salida/ventilación. Estas aberturas permiten enfriar el motor. Deberá evitarse con cuidado que no se bloqueen, de lo contrario el motor se quemará debido a la falta de ventilación.
16. Mantenga los pies sobre suelo firme y el equilibrio en todo momento.
17. No doble, pise o tire con fuerza de la manguera.
18. Detenga la aspiradora inmediatamente si nota un mal rendimiento o algo anormal durante la operación.
19. **RETIRE LA BATERÍA(S).** Cuando no esté siendo utilizada, antes de realizar mantenimiento, y cuando cambie accesorios.
20. Limpie y haga el mantenimiento a la aspiradora inmediatamente después de cada utilización para mantenerla en las mejores condiciones de operación.
21. **MANTENGA LA ASPIRADORA CON CUIDADO.** Mantenga la aspiradora limpia para obtener un mejor y más seguro rendimiento. Siga las instrucciones cuando cambie accesorios. Mantenga los asideros secos, limpios y libres de aceite y grasa.
22. **COMPRUEBE LAS PARTES DAÑADAS.** Antes de seguir utilizando la aspiradora, un protector o cualquier otra parte que se haya dañado deberá inspeccionarse cuidadosamente para determinar que funcionará debidamente y que realizará la función para la que ha sido previsto. Compruebe la alineación de las partes móviles, la unión de las partes móviles, rotura de partes, montaje, y cualquier otra condición que pueda afectar a su operación. Un protector o cualquier otra parte que se haya dañado deberá repararse o reemplazarse debidamente en un centro de servicio autorizado a menos que se indique otra cosa en algún otro sitio en este manual de instrucciones. Pida a un centro de servicio autorizado que le reemplacen los interruptores defectuosos. No utilice la aspiradora si el interruptor no la enciende y apaga.
23. Para el servicio hecho por el usuario, hay que desmontar, limpiar y hacer el servicio a la máquina, hasta el punto que sea razonablemente factible, sin causar riesgo al personal de mantenimiento ni a otros.
24. La máquina deberá ser inspeccionada técnicamente por el fabricante, o una persona adiestrada, al menos una vez al año, consistiendo en, por ejemplo, inspección de los filtros por si están dañados, hermeticidad de la máquina y funcionamiento apropiado del mecanismo de control.

25. Cuando realice operaciones de servicio de mantenimiento o reparación, todos los elementos contaminados que no se puedan limpiar satisfactoriamente deberán ser desechados; tales elementos deberán ser desechados en bolsas impenetrables de acuerdo con cualquier reglamento actual para el desecho de dichos residuos.
26. **PIEZAS DE REPUESTO.** Cuando haga el mantenimiento, utilice solamente piezas de repuesto idénticas.
27. **GUARDE LA ASPIRADORA SI NO LA ESTÁ UTILIZANDO.** Cuando no esté siendo utilizada, la aspiradora deberá estar guardada en interiores.
28. Los filtros mojados y la parte interior del contenedor de líquido deberán ser secados antes de almacenar.
29. Sea amable con su aspiradora. Un manejo brusco puede ocasionar la rotura de incluso la aspiradora más robusta.
30. No intente limpiar el interior o exterior con bencina, diluyente o productos químicos de limpieza. Podrá ocasionar grietas o decoloración.
31. No utilice la aspiradora en un espacio cerrado donde puedan desprenderse vapores inflamables, explosivos o tóxicos de pintura a base de aceite, disolventes de pintura, gasolina, algunas sustancias contra las polillas, etc., o en áreas donde haya polvo inflamable.
32. No opere esta o cualquier otra herramienta bajo la influencia de drogas o alcohol.
33. Como norma básica de seguridad, utilice gafas de protección o gafas de seguridad con escudos laterales.
34. Utilice una máscara contra el polvo en condiciones de trabajo polvorientas.
35. Esta máquina no ha sido prevista para ser utilizada por personas (incluidos niños) con capacidades físicas, sensoriales o mentales reducidas, o falta de experiencia y conocimiento.
36. Los niños pequeños deberán ser supervisados para asegurarse de que no juegan con la aspiradora.
37. No maneje nunca la batería(s) y la aspiradora con las manos mojadas.
38. Tenga mucho cuidado cuando limpie en escaleras.
39. No utilice la aspiradora como taburete o mesa de trabajo. La máquina podrá caerse y resultar en heridas personales.

#### Utilización y cuidado de la herramienta a batería

1. Cargue la batería solamente con el cargador especificado por el fabricante. Un cargador que es apropiado para un tipo de batería puede crear un riesgo de incendio cuando se utiliza con otra batería.
2. Utilice las herramientas eléctricas solamente con las baterías designadas específicamente para ellas. La utilización de cualquier otra batería puede crear un riesgo de heridas o incendio.
3. Cuando la batería no esté siendo utilizada, guárdela alejada de otros objetos metálicos,

como sujetapapeles, monedas, llaves, clavos, tornillos u otros objetos metálicos pequeños, que puedan hacer conexión entre un terminal y el otro. Si se cortocircuitan entre sí los terminales de la batería podrán producirse quemaduras o un incendio.

4. En condiciones abusivas, es posible que salga expulsado líquido de la batería; evite el contacto con él. Si se produce un contacto accidental, enjuague con agua. Si el líquido entra en los ojos, además de enjuagarlos, solicite asistencia médica. El líquido expulsado de la batería puede ocasionar irritación y quemaduras.
5. No utilice una batería o herramienta que esté dañada o modificada. Las baterías dañadas o modificadas pueden comportarse de forma impredecible resultando en un incendio, explosión o riesgo de heridas.
6. No exponga una batería o herramienta al fuego o a temperatura excesiva. La exposición al fuego o a una temperatura superior a los 130 °C puede ocasionar una explosión.
7. Siga todas las instrucciones de carga y no cargue la batería o la herramienta fuera del rango de temperatura especificado en las instrucciones. Cargar incorrectamente o a temperaturas fuera del rango especificado puede dañar la batería y aumentar el riesgo de incendio.

## GUARDE ESTAS INSTRUCCIONES.

**⚠️ ADVERTENCIA:** NO deje que la comodidad o familiaridad con el producto (a base de utilizarlo repetidamente) sustituya la estricta observancia de las normas de seguridad para el producto en cuestión. El MAL USO o el no seguir las normas de seguridad establecidas en este manual de instrucciones podrá ocasionar heridas personales graves.

## Instrucciones de seguridad importantes para el cartucho de batería

1. Antes de utilizar el cartucho de batería, lea todas las instrucciones e indicaciones de precaución sobre (1) el cargador de baterías, (2) la batería, y (3) el producto con el que se utiliza la batería.
2. No desensamble ni manipule el cartucho de batería. Podrá resultar en un incendio, calor excesivo, o una explosión.
3. Si el tiempo de uso se acorta demasiado, cese la operación inmediatamente. Podría resultar en un riesgo de recalentamiento, posibles quemaduras e incluso una explosión.
4. Si entra electrólito en sus ojos, aclárelos con agua limpia y acuda a un médico inmediatamente. Existe el riesgo de poder perder la vista.
5. No cortocircuite el cartucho de batería:
  - (1) No toque los terminales con ningún material conductor.

(2) Evite guardar el cartucho de batería en un cajón junto con otros objetos metálicos, como clavos, monedas, etc.

(3) No exponga el cartucho de batería al agua ni a la lluvia.

Un cortocircuito en la batería puede producir una gran circulación de corriente, un recalentamiento, posibles quemaduras e incluso una rotura de la misma.

6. No guarde ni utilice la herramienta y el cartucho de batería en lugares donde la temperatura pueda alcanzar o exceder los 50 °C.
7. Nunca incinere el cartucho de batería incluso en el caso de que esté dañado seriamente o ya no sirva en absoluto. El cartucho de batería puede explotar si se tira al fuego.
8. No clave, corte, aplaste, lance, deje caer el cartucho de batería, ni golpee contra un objeto duro el cartucho de batería. Tal conducta podrá resultar en un incendio, calor excesivo, o una explosión.
9. No utilice una batería dañada.
10. Las baterías de litio-ion contenidas están sujetas a los requisitos de la Legislación para Materiales Peligrosos.  
Para transportes comerciales, p.ej., por terceras personas y agentes de transportes, se deberán observar requisitos especiales para el empaquetado y etiquetado.  
Para la preparación del artículo que se va a enviar, se requiere consultar con un experto en materiales peligrosos. Por favor, observe también la posibilidad de reglamentos nacionales más detallados.  
Cubra con cinta aislante o enmascare los contactos expuestos y empaquete la batería de tal manera que no se pueda mover alrededor dentro del embalaje.
11. Para deshechar el cartucho de batería, retírelo de la herramienta y deséchelo en un lugar seguro. Siga los reglamentos locales referentes al desecho de la batería.
12. Utilice las baterías solamente con los productos especificados por Makita. La instalación de las baterías en productos no compatibles puede resultar en un incendio, calor excesivo, explosión, o fuga de electrolito.
13. Si la herramienta no va a ser utilizada durante un periodo de tiempo largo, la batería deberá ser retirada de la herramienta.
14. Durante y después de la utilización, el cartucho de batería podrá acumular calor, lo cual puede ocasionar quemaduras o quemaduras de baja temperatura. Preste atención al manejo de cartuchos de batería calientes.
15. No toque el terminal de la herramienta inmediatamente después de utilizar, dado que puede calentarse lo suficiente como para ocasionar quemaduras.
16. No permita que virutas, polvo, o tierra se adhieran dentro de los terminales, orificios, y ranuras del cartucho de batería. Esto podría ocasionar calentamiento, que coja fuego, reviente y un mal funcionamiento de la herramienta o el cartucho de batería, resultando en quemaduras o

heridas personales.

17. A menos que la herramienta pueda utilizarse cerca de cables eléctricos de alta tensión, no utilice el cartucho de batería cerca de cables eléctricos de alta tensión. Podrá resultar en un mal funcionamiento o rotura de la herramienta o el cartucho de batería.
18. Mantenga la batería alejada de los niños.

## GUARDE ESTAS INSTRUCCIONES.

**⚠PRECAUCIÓN:** Utilice solamente baterías genuinas de Makita. La utilización de baterías no genuinas de Makita, o baterías que han sido alteradas, puede resultar en una explosión de la batería ocasionando incendios, heridas personales y daños. También anulará la garantía de Makita para la herramienta y el cargador de Makita.

## Consejos para alargar al máximo la vida de servicio de la batería

1. Cargue el cartucho de batería antes de que se descargue completamente. Detenga siempre la operación y cargue el cartucho de batería cuando note menos potencia en la herramienta.
2. No cargue nunca un cartucho de batería que esté completamente cargado. La sobrecarga acortará la vida de servicio de la batería.
3. Cargue el cartucho de batería a temperatura ambiente de 10 °C - 40 °C. Si un cartucho de batería está caliente, déjelo enfriar antes de cargarlo.
4. Cuando no esté utilizando el cartucho de batería, retírelo de la herramienta o del cargador.
5. Cargue el cartucho de batería si no lo utiliza durante un periodo de tiempo prolongado (más de seis meses).

## DESCRIPCIÓN DE LAS PARTES

► Fig.1: 1. Unidad del cabezal 2. Flotador 3. Caja del flotador 4. Filtro de paño 5. Depósito

## DESCRIPCIÓN DEL FUNCIONAMIENTO

**⚠PRECAUCIÓN:** Asegúrese siempre de que el aparato está apagado y los cartuchos de batería han sido retirados antes de ajustar o comprobar una función en el aparato.

## Instalación o extracción del cartucho de batería

**⚠ PRECAUCIÓN:** Apague siempre el aparato antes de instalar o retirar cartuchos de batería.

**⚠ PRECAUCIÓN:** Sujete la aspiradora y los cartuchos de batería con firmeza cuando instale o extraiga cartuchos de batería. En caso contrario podrá ocasionar que se deslicen de sus manos, resultando en daños a la aspiradora y a los cartuchos de batería o heridas personales.

**⚠ PRECAUCIÓN:** Tenga cuidado de no pillarse los dedos cuando abra o cierre la tapa de la batería. En caso contrario podrán producirse heridas personales.

La aspiradora tiene doble ranura para batería. Con dos baterías idénticas en paralelo, puede alargar el tiempo de funcionamiento en uno o más usos sin tener que parar para recargar baterías. La aspiradora también funciona con una sola batería, por lo que puede escoger entre usar con batería doble o batería sencilla de acuerdo con sus necesidades.

► **Fig.2:** 1. Ranura para batería izquierda 2. Ranura para batería derecha

### Con batería doble

El accionamiento continuo con dos baterías permite un tiempo de funcionamiento más largo y una limpieza más eficiente. Cuando la primera batería se está quedando vacía, la aspiradora cambia automáticamente la fuente de alimentación, de manera que continúa funcionando con la segunda batería.

**NOTA:** La ranura para batería izquierda (vista desde la parte frontal de la aspiradora) tiene prioridad sobre la ranura para batería derecha. La ranura para batería derecha solo será identificada como fuente de alimentación cuando en la ranura para batería izquierda no haya instalada una batería, o bien cuando la batería de la ranura para batería izquierda se vacíe.

**NOTA:** Puede retirar la batería de la ranura para batería izquierda y recargarla después de que la aspiradora haya cambiado su fuente de alimentación de la ranura para batería izquierda a la derecha sin dejar de funcionar. Para dar de nuevo prioridad a la ranura para batería izquierda después de instalar una batería recargada, vuelva a poner en marcha la aspiradora.

### Con una sola batería

Solo se requiere una batería como fuente de alimentación en la ranura para batería izquierda o bien en la derecha. La aspiradora determina automáticamente qué ranura para batería está disponible de acuerdo con las condiciones de funcionamiento.

### Instalación y desinstalación

Para instalar cartuchos de batería, primero libere el bloqueo, y abra la tapa de la batería. Después inserte los cartuchos de batería.

► **Fig.3:** 1. Bloqueo 2. Tapa de la batería

Alinee las lengüetas de los cartuchos de batería con las acanaladuras del alojamiento de batería y deslícelos al interior hasta encajarlos en su sitio. Insértelos a

fondo hasta que se bloqueen en su sitio con un leve chasquido.

Después bloquee la tapa de la batería.

► **Fig.4:** 1. Cartucho de batería 2. Botón

Para retirar los cartuchos de batería, deslícelos hacia afuera de los alojamientos de batería mientras mantiene presionados los botones de la parte frontal de los cartuchos.

**⚠ PRECAUCIÓN:** Instale siempre el cartucho de batería completamente. En caso contrario, podrá caerse accidentalmente del aparato y ocasionarle heridas a usted o a alguien que esté cerca de usted.

**⚠ PRECAUCIÓN:** No instale el cartucho de batería empleando fuerza. Si el cartucho no se desliza al interior fácilmente, será porque no está siendo insertado correctamente.

**NOTA:** Cuando la aspiradora cambia la fuente de alimentación de la primera batería a la segunda, puede que se requiera una pausa temporal para operaciones, ocasionando una ligera pérdida de succión. Tenga en cuenta que esto no es un mal funcionamiento de modo que la aspiradora se recuperará y reanudará las operaciones inmediatamente después de la pausa.

## Modo de indicar la capacidad de batería restante

Presione el botón de comprobación en el cartucho de batería para indicar la capacidad de batería restante. Las lámparas indicadoras se iluminan durante unos pocos segundos.

► **Fig.5:** 1. Lámparas indicadoras 2. Botón de comprobación

Lámparas indicadoras			Capacidad restante
Iluminada	Apagada	Parpadeando	
			75% a 100%
			50% a 75%
			25% a 50%
			0% a 25%
			Cargue la batería.
			Puede que la batería no esté funcionando bien.

**NOTA:** Dependiendo de las condiciones de utilización y de la temperatura ambiente, la indicación podrá variar ligeramente de la capacidad real.






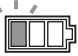


**NOTA:** La primera lámpara indicadora (extremo izquierdo) parpadeará cuando el sistema de protección de la batería esté funcionando.

## Indicadores de batería del panel de control

La capacidad de batería restante se puede leer en el panel de control en cualquier momento. Presione el botón de comprobación, y los indicadores izquierdo y derecho mostrarán los niveles de carga de las baterías correspondientemente.

► **Fig.6:** 1. Indicadores de batería 2. Botón de comprobación

► **Fig.7**

Estado del indicador de batería			Capacidad de batería restante
 Encendido	 Apagado	 Parpadeando	
			50% a 100%
			20% a 50%
			0% a 20%
			Cargue la batería
			No hay batería insertada

**NOTA:** Los indicadores de batería también se activarán cuando la aspiradora comience a funcionar o cambie su fuente de alimentación de una a la otra.





## Sistema de protección del aparato/batería

El aparato está equipado con un sistema de protección del aparato/batería. Este sistema corta automáticamente la alimentación del motor para alargar la vida útil del aparato y la batería. El aparato se detendrá automáticamente durante la operación si el aparato o la batería es puesto en una de las condiciones siguientes:

### Protección contra sobrecarga




Cuando el aparato/batería sea utilizado de manera que tenga que absorber una corriente anormalmente alta, el aparato se parará automáticamente. En esta situación, apague el aparato y detenga la tarea que ocasiona la sobrecarga del aparato. Después encienda el aparato para volver a empezar.

### Protección contra el recalentamiento

 Encendido	 Parpadeando
	

Cuando el aparato se recalienta, se detiene

automáticamente, y ambos indicadores de batería izquierdo y derecho parpadean. En esta situación, deje que el aparato se enfríe antes de encenderlo otra vez.

 Encendido	 Parpadeando
	

Cuando la batería se recalienta, el aparato se detiene automáticamente, y uno de los indicadores, el de la batería recalentada, parpadea. En esta situación, deje que la batería se enfríe antes de encender el aparato otra vez.

## Protección contra descarga excesiva

Cuando la capacidad de batería sea baja, el aparato se detendrá automáticamente. Si el aparato no se pone en marcha junto con la operación del interruptor, retire las baterías del aparato y recárguelas.

## Protección contra otras causas

También hay un sistema de protección diseñado para otras causas que pueden dañar el aparato y permite al aparato detenerse automáticamente. Realice todos los pasos siguientes para despejar las causas, cuando el aparato haya sido llevado a una pausa temporal o a una parada en la operación.

1. Apague el aparato, y después enciéndalo otra vez para volver a empezar.
2. Cargue la(s) batería(s) o reemplácela(s) con una batería(s) recargada(s).
3. Deje que el aparato y la(s) batería(s) se enfríe(n).

Si no se nota una mejora al restablecer el sistema de protección, póngase en contacto con el centro de servicio Makita local.

## Accionamiento del interruptor

### Encendido de la aspiradora

1. Gire el interruptor de espera a la posición "I" (encender) para tener la aspiradora lista en modo de espera.
2. Presione el botón de alimentación. Para volver a cambiar al modo de espera, presione el botón de alimentación otra vez.

### Apagado de la aspiradora

Realice uno de los pasos siguientes.

- Presione el botón de alimentación para volver a poner la aspiradora en modo de espera, y después gire el interruptor de espera a la posición "O" (apagar).
- Gire el interruptor de espera a la posición "O" (apagar).

### Ajuste de la fuerza de succión

La potencia de succión se puede ajustar de acuerdo con las necesidades de su trabajo.

- Gire el pomo de ajuste de la fuerza de succión hacia la izquierda para reducir la fuerza de succión.
- Gire el pomo de ajuste de la fuerza de succión hacia la derecha para aumentar la fuerza de succión.

► **Fig.8:** 1. Interruptor de espera 2. Botón de



## Parada de la succión automática durante la operación de succión en mojado

**⚠ADVERTENCIA:** No utilice durante largo tiempo mientras el flotador está funcionando. La utilización de la aspiradora durante largo tiempo con su flotador funcionando puede ocasionar recalentamiento, resultando en una deformación de la aspiradora.

**⚠ADVERTENCIA:** No recoja espuma ni líquido jabonoso. Puede ocasionar que emerja espuma por la salida de aire antes de que funcione el flotador. Continuar utilizando en estas condiciones podrá ocasionar una descarga eléctrica y la rotura de la aspiradora.

La función de parada de la succión automática se pone en marcha solo mientras la aspiradora es utilizada con el flotador y la caja del flotador. La aspiradora tiene un mecanismo de flotador que impide al agua entrar en el motor cuando se recoge más de una cierta cantidad de agua. Cuando el depósito esté lleno y la aspiradora ya no recoja agua, apague la aspiradora y vacíe el depósito.

## Bloqueo y desbloqueo de las ruedecillas

Las ruedecillas traseras se pueden bloquear con los retenedores para ayudar a la aspiradora a permanecer inmóvil.

Baje la palanca del retenedor manualmente para bloquear la ruedecilla, y súbala para liberarla.

► **Fig.9:** 1. Ruedecilla 2. Palanca del retenedor 3. Posición LIBRE 4. Posición BLOQUEADA

**NOTA:** Cuando vaya a mover la aspiradora, asegúrese de que la ruedecilla está desbloqueada. Mover la aspiradora con la ruedecilla en posición bloqueada puede ocasionar daños a la ruedecilla.

## Empuñadura de transporte

**⚠PRECAUCIÓN:** Levante y transporte el aparato con mucho cuidado. En caso contrario podrá resultar en heridas personales o daños al aparato.

Cuando transporte la aspiradora, transpórtela sujetándola por la empuñadura de la unidad del cabezal. La empuñadura se repliega sobre la unidad del cabezal cuando no se utiliza.

► **Fig.10**

## MONTAJE

**⚠PRECAUCIÓN:** Asegúrese siempre de que el aparato está apagado y los cartuchos de batería han sido retirados antes de realizar cualquier trabajo en el aparato.

**⚠PRECAUCIÓN:** Póngase siempre máscara contra el polvo durante el montaje o el mantenimiento.

## Instalación del filtro de polvo (HEPA) y el prefiltro (para polvo seco)

### Accesorios opcionales

**⚠PRECAUCIÓN:** No recoja nunca agua u otros líquidos o polvo mojado cuando esté utilizando el filtro de polvo. Recoger tales cosas puede ocasionar la rotura del filtro de polvo.

Para utilizar el filtro de polvo:

1. Afloje los tornillos que sujetan la caja del flotador, y después retire los tornillos, la caja del flotador y el flotador de la unidad del cabezal.

► **Fig.11:** 1. Tornillo 2. Caja del flotador 3. Flotador 4. Unidad del cabezal

2. Retire el filtro de paño sacándolo del depósito.

► **Fig.12:** 1. Filtro de paño 2. Depósito

3. Coloque el prefiltro dentro del depósito alineando las marcas de posición de montaje del prefiltro y del depósito.

4. Coloque el amortiguador dentro del prefiltro, y después ponga el filtro de polvo encima del amortiguador alineando las marcas de posición de montaje del filtro de polvo y del prefiltro.

5. Monte la unidad del cabezal encima del depósito y sujételos con los enganches de bloqueo.

► **Fig.13:** 1. Unidad del cabezal 2. Filtro de polvo (HEPA) 3. Amortiguador 4. Prefiltro 5. Depósito 6. Marca de posición de montaje

**AVISO:** Antes de utilizar el filtro de polvo, asegúrese de que el prefiltro y el amortiguador se utilizan siempre juntos. No está permitido instalar solamente el filtro de polvo.

## Instalación del filtro de agua

### Accesorios opcionales

**AVISO:** No recoja nunca agua o polvo mojado sin el flotador y el filtro de paño o el filtro de agua.

**AVISO:** Para recoger polvo mojado, asegúrese de que la caja del flotador y el flotador están instalados en la aspiradora.

**AVISO:** Cuando instale el filtro de agua en el depósito, ajústelo bien apretado en la abertura del depósito de forma que el gancho del filtro de agua enganche firmemente la abertura del depósito y no haya espacio entre el filtro de agua y el depósito.

Para recoger agua o polvo mojado solamente, el filtro de agua es más adecuado que el filtro de paño. Cuando instale el filtro de agua, alinee la marca de posición de montaje con la del depósito.

► **Fig.14:** 1. Filtro de agua 2. Depósito 3. Marca de posición de montaje

**NOTA:** Se recomienda utilizar filtro de agua cuando se recoja gran cantidad de agua repetidamente. De lo contrario la habilidad de aspiración podrá reducirse en caso del filtro de paño.

## Instalación del paquete de papel

### Accesorios opcionales

**ADVERTENCIA:** Antes de utilizar el paquete de papel, asegúrese de que el filtro de paño o el prefiltro se utiliza conjuntamente. Si no utiliza el filtro de paño/prefiltro conjuntamente podrá ocasionar ruido inusual y calentamiento, resultando en un incendio.

**AVISO:** No recoja nunca agua u otros líquidos ni polvo mojado cuando esté utilizando un paquete de papel. Recoger tales cosas puede ocasionar la rotura del paquete de papel.

**AVISO:** Cuando utilice el filtro de paño, asegúrese de que el flotador y la caja del flotador están colocados en la unidad del cabezal.

**AVISO:** Cuando utilice el prefiltro, asegúrese de que el filtro de polvo y el amortiguador se utilizan a la vez.

1. Despliegue un paquete de papel.
2. Alinee la abertura del paquete de papel con el orificio de entrada de polvo del depósito.
3. Instale el paquete de papel dentro del depósito con su abertura de cartón enganchada en el soporte del paquete de papel.

► **Fig.15:** 1. Paquete de papel 2. Abertura de cartón 3. Soporte del paquete de papel 4. Orificio de entrada de polvo

## Instalación de la bolsa de polietileno

Con la bolsa de polietileno instalada en el depósito, puede vaciar fácilmente el depósito sin mancharse las manos.

Coloque una bolsa de polietileno sobre el depósito, y deslice un lado del borde superior de la bolsa en su extremo abierto entre la placa del soporte y la pared delantera del depósito.

► **Fig.16:** 1. Placa del soporte 2. Pared delantera del depósito 3. Bolsa de polietileno

Extienda los otros bordes superiores de la bolsa hacia afuera sobre los bordes superiores del depósito. Ponga el filtro de paño o el prefiltro sobre la bolsa de polietileno para sujetar la abertura de la bolsa firmemente.

► **Fig.17:** 1. Filtro de paño / prefiltro

**NOTA:** Se puede utilizar una bolsa de polietileno disponible en el comercio. Se recomienda una de 0,04 mm o más gruesa.

**NOTA:** Demasiado polvo rasgará la bolsa fácilmente, por lo que no recoja polvo más que hasta la mitad de la capacidad de la bolsa.

## Vaciado del depósito con la bolsa de polietileno

**ADVERTENCIA:** Asegúrese siempre de que la aspiradora está apagada y los cartuchos de batería han sido retirados antes de vaciar el depósito. En caso contrario podrá ocasionar una descarga eléctrica y heridas personales graves.

**AVISO:** No aplique un impacto fuerte a la caja del flotador y el depósito. Si aplica un impacto fuerte podrá ocasionar deformación y daños a las partes.

**AVISO:** Vacíe el depósito al menos una vez al día aunque esto dependerá del volumen de polvo recogido en el depósito. O, la fuerza de succión se debilitará y el motor podrá romperse.

**AVISO:** No agarre los ganchos ni los enganches cuando vacíe el depósito. Si agarra los ganchos o los enganches podrá ocasionar que se rompan.

Libere los enganches de bloqueo y levante la unidad del cabezal para retirarla del depósito.

Sacuda el polvo del filtro de paño o del prefiltro antes de levantar el filtro para retirarlo del depósito. Después retire la bolsa de polietileno del depósito, cerrando la abertura de la bolsa manualmente.

► **Fig.18:** 1. Bolsa de polietileno 2. Depósito

**NOTA:** Extraiga la bolsa de polietileno del depósito con cuidado para evitar que se arañe y se rasgue con los bordes dentro del depósito.

**NOTA:** Vacíe la bolsa de polietileno antes de que se llene. Demasiado polvo en el depósito puede ocasionar que la bolsa de polietileno se rasgue.

## Instalación del gancho múltiple

Utilice el gancho múltiple para sujetar una manguera, accesorios y aditamentos que no se estén usando, y podrá extraerlos rápidamente de acuerdo con sus preferencias.

► **Fig.19**

Coloque el gancho múltiple sobre la base de montaje de la parte trasera de la aspiradora, guiando los rieles del gancho múltiple a lo largo de las ranuras de la base

de montaje.

► **Fig.20:** 1. Gancho múltiple 2. Base de montaje

## Instalación del adaptador MAKPAC

### Accesorios opcionales

En la parte superior de la aspiradora se pueden instalar cajas de almacenamiento MAKPAC conectables y apilables con un adaptador opcional. Las cajas están disponibles en muchos tamaños y estilos para satisfacer sus preferencias.

Coloque el gancho de la base de montaje encima de la empuñadura de la aspiradora con su superficie de montaje orientada hacia arriba cuando la empuñadura está plegada en posición cerrada.

► **Fig.21:** 1. Gancho de la base de montaje  
2. Superficie de montaje 3. Empuñadura

Monte el adaptador MAKPAC encima del gancho de la base de montaje, y sujételos juntos con cuatro tornillos provistos.

► **Fig.22:** 1. Adaptador MAKPAC 2. Gancho de la base de montaje 3. Tornillo

Levante la barra de empuje y apriete el pomo para preparar la instalación de las cajas MAKPAC encima de la aspiradora.

► **Fig.23:** 1. Barra de empuje 2. Pomo

**NOTA:** Para ver detalles sobre la instalación de las cajas MAKPAC, consulte las instrucciones provistas con el adaptador MAKPAC y las cajas.

## Instalación de la manguera

**AVISO:** No fuerce nunca la manguera para doblarla ni la aplaste con el pie. No mueva nunca la aspiradora tirando de la manguera. Forzar la manguera, aplastarla con el pie y tirar de ella podrá ocasionar una rotura o deformación de la manguera.

**AVISO:** Cuando recoja residuos grandes tales como virutas de cepilladora, polvo de cemento o similares distintos de residuos pequeños, utilice la manguera de diámetro interior de 38 mm (accesorio opcional). La utilización de la manguera de diámetro interior de 28 mm (accesorio opcional) puede ocasionar un relleno de la manguera y daños.

### Conexión a la aspiradora

Inserte el extremo de la manguera en el orificio de entrada de polvo (boca para manguera) de la aspiradora, después gírelo hacia la derecha hasta que se bloquee en su sitio.

► **Fig.24:** 1. Manguera 2. Orificio de entrada de polvo (boca para manguera)

### Conexiones con sus herramientas de trabajo (Específico para cada país)

Mediante la conexión de la aspiradora a cualquier herramienta de trabajo disponible compatible con la aspiradora, esta funciona como un extractor de polvo para sus herramientas eléctricas.

Para conectar una herramienta a la aspiradora, se requieren la manguera y/o piezas adicionales exclusivas. Dependiendo del modelo de su aspiradora, necesitará reemplazar la manguera y/o preparar piezas

adicionales.

Seleccione uno de los manguitos delanteros o acopladores (accesorios opcionales) que resulte más apropiado para el modelo de su herramienta. Coloque los manguitos o el acoplador, según sea necesario, entre el extremo delantero de la manguera de la aspiradora y el conector para extracción de polvo de su herramienta.

► **Fig.25:** 1. Manguitos delanteros o acoplador 2. Manguera de la aspiradora  
3. Herramienta eléctrica 4. Aspiradora

## Instalación o desmontaje de accesorios de aspiradora

**PRECAUCIÓN:** Después de instalar un accesorio, compruebe que está instalado firmemente. Si el accesorio está instalado incorrectamente, se puede caer y ocasionar heridas personales.

## Colocación del conjunto de tubo curvado

### Accesorios opcionales

**NOTA:** No necesitará realizar este procedimiento si su modelo viene con el conjunto de tubo curvado colocado en la manguera.

El conjunto de tubo curvado se utiliza para conectar el tubo de extensión o la boquilla a este producto para limpiar aspirando.

Si quiere utilizar este producto como aspiradora, coloque el conjunto de tubo curvado en la manguera.

### Para el conjunto de tubo curvado atornillable

Para colocarlo, desenrosque el manguito delantero de la manguera y fije el casquillo del conjunto de tubo curvado en la manguera.

Para retirarlo, afloje el casquillo del conjunto de tubo curvado de la manguera.

► **Fig.26:** 1. Manguera 2. Conjunto de tubo curvado  
3. Casquillo

### Para el conjunto de tubo curvado de encaje a presión

Para colocarlo, inserte el extremo de la manguera en el conjunto de tubo curvado. Asegúrese de que las pestañas del extremo de la manguera encajan con un chasquido en los agujeros del conjunto de tubo curvado.

Para retirarlo, tire del conjunto de tubo curvado mientras presiona ambas pestañas del extremo de la manguera.

► **Fig.27:** 1. Extremo de la manguera 2. Pestaña  
3. Agujero 4. Conjunto de tubo curvado

## Cuando utilice el accesorio sin función de bloqueo

### Accesorios opcionales

Inserte un accesorio en la boca de succión de la aspiradora empujándolo y enroscándolo en su sitio manualmente.

Retuerza y extraiga el accesorio de la boca de succión manualmente después de la utilización.

► **Fig.28**

## Aditamentos con función de bloqueo

### Accesorios opcionales

**AVISO:** Cuando instale el accesorio con función de bloqueo, asegúrese de alinear el botón de liberación con el gancho del accesorio. Si no están alineados, el accesorio no se bloqueará y se podrá caer de la aspiradora.

Inserte un accesorio en la boca de succión de la aspiradora empujándolos entre sí hasta que suene un chasquido.

Para retirar el accesorio, tire de él mientras presiona el botón de liberación.

► **Fig.29:** 1. Boca de succión con función de bloqueo  
2. Botón de liberación 3. Aditamento con función de bloqueo

**NOTA:** Un aditamento con función de bloqueo solo se puede instalar en la boca de succión con función de bloqueo.

► **Fig.30:** 1. Aditamento con función de bloqueo  
2. Boca de succión con función de bloqueo  
3. Boca de succión sin función de bloqueo

## Montaje de la boquilla y el tubo

### Accesorios opcionales

**NOTA:** El tipo de la boquilla y el tubo incluidos en el producto varía dependiendo de los países. En algunos países, la boquilla y el tubo no están incluidos.

Retuerza e inserte la boquilla en el tubo de extensión.

► **Fig.31:** 1. Tubo de extensión 2. Boquilla de goma flexible 3. Boquilla para esquinas 4. Boquilla en T

**NOTA:** Al retorcer la boquilla mientras la inserta, la boquilla se puede colocar en el tubo de extensión firmemente.

**NOTA:** Para el modelo con manguera de  $\varnothing 38$  mm y manguito delantero de 38, coloque la boquilla suministrada en el tubo curvado de aluminio/tubo recto de aluminio.

Cuando utilice la boquilla en T cambiable para suelo/moqueta, puede cambiar el modo en función del lugar.

- Modo suelo: apropiado para un lugar uniforme tal como un suelo duro
- Modo moqueta: apropiado para un lugar peludo tal como una moqueta o alfombra

► **Fig.32:** 1. Botón de cambio de modo 2. Modo suelo  
3. Modo moqueta

## Ajuste de longitudes del tubo de extensión tipo deslizable

### Accesorios opcionales

Un tubo de extensión tipo deslizable se puede combinar para longitudes más cortas y más largas. Esto permite limpiar áreas de difícil acceso y opciones para una postura cómoda.

Empuje hacia dentro y tire hacia afuera del tubo deslizable para cambiar las longitudes mientras mantiene presionado el botón deslizable.

Suelte el botón deslizable para bloquear el tubo deslizable en la posición que desee.

► **Fig.33:** 1. Tubo deslizable 2. Botón deslizable

## MANTENIMIENTO

**PRECAUCIÓN:** Asegúrese siempre de que el aparato está apagado y los cartuchos de batería han sido retirados antes de intentar hacer una inspección o mantenimiento.

**AVISO:** No utilice nunca gasolina, bencina, disolvente, alcohol o similares. Podría producir descoloración, deformación o grietas.

Para mantener la SEGURIDAD y FIABILIDAD del producto, las reparaciones, y cualquier otra tarea de mantenimiento o ajuste deberán ser realizadas en centros de servicio o de fábrica autorizados por Makita, empleando siempre repuestos Makita.

## Almacenamiento de los accesorios

Los accesorios y aditamentos que no se están usando, como boquillas y cepillos, se pueden enganchar y guardar en el gancho múltiple de la parte trasera de la aspiradora.

► **Fig.34:** 1. Gancho múltiple 2. Accesorios y aditamentos que no se están usando

Los tubos (con un retenedor opcional instalado) se pueden colocar en el portatubos cuando se deja de usar la aspiradora por poco tiempo.

► **Fig.35:** 1. Retenedor (accesorio opcional)  
2. Portatubos

Una manguera se puede enrollar y guardar alrededor de la carcasa o de la empuñadura de la aspiradora en bucles amplios. Conecte sus dos extremos entre sí para hacer bucles y enganche los bucles en la empuñadura levantada. Alternativamente, mantenga su extremo raíz instalado en la boca para manguera y cuelgue los bucles en el gancho múltiple con el extremo suelto atado.

► **Fig.36**

► **Fig.37**

## Limpieza del filtro de paño

Limpie bien el filtro de paño a intervalos regulares porque un filtro de paño obstruido puede resultar en un rendimiento de succión deficiente.

Elimine y sacuda el polvo del filtro de paño manualmente de vez en cuando.

► **Fig.38:** 1. Filtro de paño

## Limpieza del filtro de polvo (HEPA) y el prefiltro

### Accesorios opcionales

Limpie bien el filtro de polvo, el prefiltro y el amortiguador a intervalos regulares porque los filtros y el amortiguador obstruidos pueden resultar en un rendimiento

de succión deficiente.

Elimine y sacuda el polvo de los filtros y del amortiguador manualmente de forma rutinaria.

Lave ocasionalmente el filtro de polvo en agua, aclárelo y séquelo completamente en la sombra antes de utilizarlo. No lave nunca los filtros en una lavadora.

► Fig.39

**NOTA:** No frote o rasque el filtro de polvo, el prefiltro o el amortiguador con objetos duros tales como un cepillo y una paleta.

**NOTA:** Los filtros se gastan con el paso del tiempo. Se recomienda tener algunos repuestos para ellos.

## ACCESORIOS OPCIONALES

**⚠PRECAUCIÓN:** Estos accesorios o aditamentos están recomendados para su uso con la herramienta Makita especificada en este manual.

El uso de cualquier otro accesorio o aditamento puede suponer un riesgo de heridas personales. Utilice el accesorio o aditamento solamente con la finalidad indicada para el mismo.

Algunos accesorios puede que no estén instalados dependiendo de la combinación de las piezas.

Si necesita cualquier ayuda para más detalles en relación con estos accesorios, pregunte al centro de servicio Makita local.

- Manguera
- Manguitos delanteros (22, 24, 38)
- Tubo recto
- Tubo de extensión
- Boquilla para esquinas
- Cepillo redondo
- Filtro de polvo, HEPA (para polvo seco)
- Amortiguador
- Prefiltro
- Filtro de agua
- Filtro de paño
- Boquilla en T
- Tubo curvado
- Bolsa de polietileno
- Paquete de papel
- Adaptador MAKPAC
- Batería y cargador genuinos de Makita

**NOTA:** Algunos elementos de la lista podrán estar incluidos en el paquete de la herramienta como accesorios estándar. Pueden variar de un país a otro.

## AVISO

- Esta máquina não deve ser utilizada por pessoas com capacidades físicas, sensoriais ou mentais reduzidas nem por crianças ou pessoas com falta de experiência ou conhecimentos.
- As crianças devem ser supervisionadas, de modo a assegurar que não brincam com o aspirador.
- Consulte o capítulo “ESPECIFICAÇÕES” para ficar a saber a referência de tipo da bateria.
- Consulte a secção “Instalar ou remover a bateria” para saber como remover ou instalar a bateria.
- Quando eliminar a bateria, remova-a da ferramenta e elimine-a num local seguro. Siga os regulamentos locais relacionados com a eliminação de baterias.
- Se a ferramenta não for utilizada durante um período de tempo prolongado, a bateria deve ser removida da ferramenta.
- Não coloque a bateria em curto-circuito.
- Consulte o capítulo “MANUTENÇÃO” para obter as informações adequadas sobre as precauções a ter durante a manutenção pelo utilizador.

## ESPECIFICAÇÕES

Modelo:		VC001GL	VC003GL
Tipo de filtro padrão		Filtro de pano (para pó seco e húmido)	
Volume máximo de ar na extremidade da mangueira (com BL4040, uma mangueira de ø32 mm x 1,7 m)		2,7 m <sup>3</sup> /min	
Volume máximo de ar na turbina (com BL4040)		4,2 m <sup>3</sup> /min	
Vácuo (com BL4040)		23 kPa	
Capacidade de recuperação	Pó	8 L	15 L
	Água	6 L	12 L
Dimensões (C x L x A)		366 mm x 334 mm x 425 mm	366 mm x 334 mm x 475 mm
Tensão nominal		C.C. 36 V - 40 V máx.	
Peso líquido		8,1 - 11,2 kg	8,4 - 11,5 kg
Grau de proteção		IPX4	

- Devido a um programa contínuo de pesquisa e desenvolvimento, estas especificações estão sujeitas a alteração sem aviso prévio.
- As especificações e a bateria podem variar de país para país.
- O peso não inclui os acessórios mas a(s) bateria(s). Os pesos combinados mais leve e mais pesado do aparelho e da(s) bateria(s) são indicados na tabela.
- Para pó húmido são necessários o flutuador e o filtro de água ou o filtro de pano.

## Bateria e carregador aplicável

Bateria	BL4020 / BL4025 / BL4040* / BL4040F* / BL4050F* / BL4080F* *: Bateria recomendada
Carregador	DC40RA / DC40RB / DC40RC / DC40WA

- Algumas das baterias e carregadores listados acima poderão não estar disponíveis, dependendo da sua região de residência.

**AVISO:** Utilize apenas as baterias e carregadores listados acima. A utilização de quaisquer outras baterias e carregadores pode causar ferimentos e/ou um incêndio.

## Símbolos





A seguir são apresentados os símbolos que podem ser utilizados para o equipamento. Certifique-se de que compreende o seu significado antes da utilização.



Leia o manual de instruções.



Tenha especial cuidado e atenção.

	Aviso! O aspirador poderá conter pó perigoso.
	Nunca se coloque sobre o aspirador.
	Pó de classe L (leve). Os aspiradores são capazes de recolher pó de classe L. Siga os regulamentos do seu país relativos a pós e a higiene e segurança no trabalho.
	Apenas para países da UE Devido à presença de componentes perigosos no equipamento, os resíduos de equipamentos elétricos e eletrónicos, acumuladores e baterias podem ter um impacto negativo no meio ambiente e na saúde humana. Não elimine aparelhos elétricos e eletrónicos ou baterias juntamente com resíduos domésticos! De acordo com a Diretiva europeia relativa aos resíduos de equipamentos elétricos e eletrónicos, acumuladores e baterias, bem como a respetiva adaptação à legislação nacional, os resíduos de equipamentos elétricos e eletrónicos, acumuladores e baterias devem ser armazenados separadamente e entregues num ponto de recolha separado para resíduos municipais, que opere de acordo com os regulamentos de proteção ambiental. Tal é indicado pelo símbolo de contentor de lixo com rodas barrado com uma cruz colocado no equipamento.

## Utilização a que se destina

O aparelho serve para recolher pó húmido e seco. O aparelho é adequado para utilização comercial, por exemplo, em hotéis, escolas, hospitais, fábricas, lojas, escritórios e empresas de aluguer.

## Ruído

A característica do nível de ruído A determinado de acordo com a EN60335-2-69:

### Modelo VC001GL

Nível de pressão acústica ( $L_{pA}$ ): 70 dB (A) ou menos  
Variabilidade (K): 2,5 dB (A)

### Modelo VC003GL

Nível de pressão acústica ( $L_{pA}$ ): 70 dB (A) ou menos  
Variabilidade (K): 2,5 dB (A)

O nível de ruído durante o funcionamento pode exceder 80 dB (A).

**NOTA:** O(s) valor(es) da emissão de ruído indicado(s) foi medido de acordo com um método de teste padrão e pode ser utilizado para comparar duas ferramentas.

**NOTA:** O(s) valor(es) da emissão de ruído indicado(s) pode também ser utilizado na avaliação preliminar da exposição.

**AVISO:** Utilize protetores auriculares.

**AVISO:** A emissão de ruído durante a utilização real da ferramenta elétrica pode diferir do(s) valor(es) indicado(s), dependendo das formas como a ferramenta é utilizada, especialmente o tipo de peça de trabalho que é processada.

**AVISO:** Certifique-se de identificar as medidas de segurança para proteção do operador que sejam baseadas em uma estimativa de exposição em condições reais de utilização (considerando todas as partes do ciclo de operação, tal como quando a ferramenta está desligada e quando está a funcionar em marcha lenta além do tempo de acionamento).

## Vibração

Valor total da vibração (soma vetorial tri-axial) determinado de acordo com a EN60335-2-69:

### Modelo VC001GL

Emissão de vibração ( $a_{hM}$ ): 2,5 m/s<sup>2</sup> ou menos  
Variabilidade (K): 1,5 m/s<sup>2</sup>

### Modelo VC003GL

Emissão de vibração ( $a_{hM}$ ): 2,5 m/s<sup>2</sup> ou menos  
Variabilidade (K): 1,5 m/s<sup>2</sup>

**NOTA:** O(s) valor(es) total(ais) de vibração indicado(s) foi medido de acordo com um método de teste padrão e pode ser utilizado para comparar duas ferramentas.

**NOTA:** O(s) valor(es) total(ais) de vibração indicado(s) pode também ser utilizado na avaliação preliminar da exposição.

**AVISO:** A emissão de vibração durante a utilização real da ferramenta elétrica pode diferir do(s) valor(es) indicado(s), dependendo das formas como a ferramenta é utilizada, especialmente o tipo de peça de trabalho que é processada.

**AVISO:** Certifique-se de identificar as medidas de segurança para proteção do operador que sejam baseadas em uma estimativa de exposição em condições reais de utilização (considerando todas as partes do ciclo de operação, tal como quando a ferramenta está desligada e quando está a funcionar em marcha lenta além do tempo de acionamento).

## Declarações de conformidade

### Apenas para os países europeus

As Declarações de conformidade estão incluídas no Anexo A deste manual de instruções.

# AVISOS DE SEGURANÇA

## Avisos de segurança do aspirador a bateria

**⚠️ AVISO: IMPORTANTE! LEIA COM ATENÇÃO todos os avisos de segurança e todas as instruções ANTES DA UTILIZAÇÃO.** Caso não siga os avisos e instruções, pode apanhar um choque elétrico, provocar um incêndio e/ou ferimentos graves.

1. Antes de utilizar, certifique-se de que este aspirador é utilizado por pessoas que tenham recebido instruções adequadas sobre a utilização deste aspirador.
2. Antes da utilização, devem ser fornecidas informações, instruções e formação aos operadores relativamente ao uso da máquina e às substâncias para as quais deve ser utilizada, incluindo o método seguro de remoção e eliminação do material recolhido.
3. Se sair espuma/líquido, desligue imediatamente.
4. Limpe o dispositivo de limitação do nível de água regularmente e inspecione-o quanto a sinais de danos.
5. Certifique-se sempre de que os filtros estão corretamente instalados antes da utilização. Não utilize o aspirador sem os filtros devidamente instalados. Substitua imediatamente um filtro danificado. Recomenda-se que tenha algumas peças sobressalentes uma vez que os filtros são itens consumíveis.
6. EVITAR O ARRANQUE INVOLUNTÁRIO. Assegure que o interruptor está desligado (OFF) quando instalar a(s) bateria(s).
7. Não tente aspirar materiais inflamáveis, fogo de artifício, cigarros acesos, cinzas quentes, aparas metálicas quentes e materiais aguçados como lâminas, agulhas, vidro partido ou outros do género.
8. NUNCA UTILIZE O ASPIRADOR JUNTO DE GASOLINA, GÁS, TINTA, COLAS OU OUTRAS SUBSTÂNCIAS ALTAMENTE EXPLOSIVAS. O interruptor emite faíscas quando se liga e desliga. O mesmo acontece com o comutador do motor durante o funcionamento. Pode resultar em explosão perigosa.
9. Nunca aspire produtos tóxicos, carcinogénicos, combustíveis ou outros materiais perigosos como amianto, arsénico, bário, berílio, chumbo, pesticidas ou outros materiais que ponham a saúde em perigo.
10. Coloque sempre o aspirador numa superfície plana horizontal para evitar a respetiva queda ou o respetivo movimento accidental.
11. Nunca utilize o aspirador no exterior, à chuva.
12. No caso da Finlândia, esta máquina não deve ser utilizada ao ar livre a baixa temperatura.
13. Não utilize junto de fontes de calor (fornos, etc.).
14. Se o ar de exaustão for retornado à divisão, é necessário providenciar uma taxa de mudança de ar adequada na divisão. É necessário consultar os regulamentos nacionais.
15. Não bloqueie o bocal de sucção/a saída/os ventiladores de arrefecimento. Estes ventiladores permitem arrefecer o motor. Os entupimentos devem ser cuidadosamente evitados, caso contrário, o motor queima por falta de ventilação.
16. Mantenha sempre o equilíbrio e os pés bem assentes no chão.
17. Não dobre, arraste nem pise a mangueira.
18. Desligue imediatamente o aspirador se notar qualquer falta de desempenho ou algo fora do normal durante o funcionamento.
19. REMOVER A(S) BATERIA(S). Quando não estiver a utilizar o aparelho, antes da assistência técnica e quando mudar de acessórios.
20. Limpe e faça a assistência ao aspirador imediatamente após cada utilização para o manter nas condições de funcionamento normal.
21. CONSERVE O ASPIRADOR COM CUIDADO. Mantenha o aspirador limpo para obter um desempenho melhor e mais seguro. Siga as instruções para mudar os acessórios. Mantenha as pegas secas, limpas e sem óleo e gordura.
22. VERIFIQUE AS PEÇAS DANIFICADAS. Antes de continuar a utilizar o aspirador deve verificar cuidadosamente se qualquer resguardo ou outra peça está danificado para determinar se o aspirador funcionará adequadamente e realizará a função pretendida. Verifique o alinhamento das peças móveis, a união das peças móveis, a quebra de peças, a montagem e quaisquer outras condições que possam afetar o seu funcionamento. Um resguardo ou outra peça danificado deve ser adequadamente reparado ou substituído por um centro de assistência autorizado, a menos que indicado o contrário em qualquer outro lugar neste manual. Peça a substituição de interruptores defeituosos junto de um centro de assistência autorizado. Não utilize o aspirador se o interruptor não o ligar ou desligar.
23. No caso de manutenção por parte do utilizador, a máquina deve ser desmontada, limpa e reparada, tanto quanto for razoavelmente possível, sem pôr em risco o pessoal de manutenção e outras pessoas.
24. A máquina deve ser inspecionada tecnicamente pelo fabricante ou por uma pessoa instruída, pelo menos anualmente, incluindo, por exemplo, a inspeção de filtros quanto a danos, estanquidade da máquina e funcionamento adequado do mecanismo de controlo.
25. Quando realizar operações de manutenção ou reparação, todos os itens contaminados que não possam ser limpos satisfatoriamente devem ser eliminados; tais itens devem ser eliminados em sacos impermeáveis, de acordo com quaisquer regulamentos atuais para a eliminação de tais resíduos.
26. PEÇAS DE SUBSTITUIÇÃO. Durante a assistência, utilize apenas peças de substituição idênticas.



27. **GUARDE O ASPIRADOR PARADO.** Quando não estiver a utilizar o aspirador, deve guardá-lo no interior.
28. Os filtros húmidos e a parte interior do recipiente de líquido devem ser secos antes de serem guardados.
29. Tenha cuidado com o aspirador. Um manuseamento severo pode provocar quebras até mesmo ao aspirador mais robusto.
30. Não tente limpar o exterior ou o interior com benzina, diluente ou produtos químicos de limpeza. Pode provocar rachas ou descoloração.
31. Não utilize o aspirador num espaço fechado onde existam vapores inflamáveis, explosivos ou tóxicos devido a tintas à base de óleo, diluente de tinta, gasolina, algumas substâncias repelentes de traças, etc. ou em áreas onde estejam presentes poeiras inflamáveis.
32. Não opere esta ou qualquer ferramenta sob a influência de drogas ou álcool.
33. Utilize óculos de segurança ou de proteção com proteções laterais como medida básica de segurança.
34. Utilize uma máscara contra pó em condições de trabalho poeirentas.
35. Esta máquina não deve ser utilizada por pessoas com capacidades físicas, sensoriais ou mentais reduzidas nem por crianças ou pessoas com falta de experiência ou conhecimentos.
36. As crianças devem ser supervisionadas, de modo a assegurar que não brincam com o aspirador.
37. Nunca manuseie a(s) bateria(s) e o aspirador com as mãos molhadas.
38. Tenha extremo cuidado quando limpar escadas.
39. Não utilize o aspirador como banco ou bancada de trabalho. A máquina pode cair e resultar em ferimentos pessoais.

#### Utilização e cuidados com a ferramenta a bateria

1. **Recarregue apenas com o carregador especificado pelo fabricante.** Um carregador adequado para um tipo de bateria pode criar um risco de incêndio quando utilizado com outra bateria.
2. **Utilize as ferramentas elétricas apenas com as baterias especificamente designadas.** A utilização de uma bateria diferente pode criar um risco de ferimentos e de incêndio.
3. **Quando a bateria não está a ser utilizada, mantenha-a afastada de outros objetos metálicos, como cliques, moedas, chaves, pregos, parafusos ou outros objetos metálicos pequenos que possam fazer a ligação entre os dois terminais.** Colocar os terminais da bateria em curto-circuito um com o outro pode provocar queimaduras ou um incêndio.
4. **Em condições abusivas, o líquido pode ser ejetado da bateria; evite o contacto com o mesmo. Se ocorrer um contacto accidental, lave com água. Se o líquido entrar em contacto com os olhos, procure também assistência médica.** O líquido ejetado da bateria pode provocar irritações ou queimaduras.

5. **Não utilize um conjunto de baterias ou uma ferramenta que se encontrem danificados ou modificados.** As baterias danificadas ou modificadas poderão exibir um comportamento imprevisível, resultando em incêndio, explosão ou risco de lesão.
6. **Não exponha um conjunto de baterias ou uma ferramenta a incêndio ou temperatura excessiva.** A exposição a incêndio ou a uma temperatura superior a 130 °C poderá causar uma explosão.
7. **Siga todas as instruções de carregamento e não carregue o conjunto de baterias ou ferramenta fora da amplitude de temperaturas especificada nas instruções.** O carregamento impróprio ou a temperaturas fora da amplitude especificada poderá danificar a bateria e aumentar o risco de incêndio.

## GUARDE ESTAS INSTRUÇÕES.

**⚠️ AVISO:** NÃO permita que conforto ou familiaridade com o produto (adquirido com o uso repetido) substitua a aderência estrita às regras de segurança da ferramenta. **MÁ INTERPRETAÇÃO** ou não seguimento das regras de segurança estabelecidas neste manual de instruções pode causar danos pessoais sérios.

### Instruções de segurança importantes para a bateria

1. **Antes de utilizar a bateria, leia todas as instruções e etiquetas de precaução no (1) carregador de bateria (2) bateria e (3) produto que utiliza a bateria.**
2. **Não desmonte ou manipule a bateria.** Pode resultar num incêndio, em calor excessivo ou numa explosão.
3. **Se o tempo de funcionamento se tornar excessivamente curto, pare o funcionamento imediatamente.** Pode resultar em sobreaquecimento, possíveis queimaduras e mesmo explosão.
4. **Se entrar eletrólito nos seus olhos, lave-os com água e consulte imediatamente um médico.** Pode resultar em perda de visão.
5. **Não coloque a bateria em curto-circuito:**
  - (1) Não toque nos terminais com qualquer material condutor.
  - (2) Evite guardar a bateria juntamente com outros objetos metálicos tais como pregos, moedas, etc.
  - (3) Não exponha a bateria à água ou chuva. Um curto-circuito pode ocasionar um enorme fluxo de corrente, sobreaquecimento, possíveis queimaduras e mesmo estragar-se.
6. **Não guarde nem utilize a ferramenta e a bateria em locais onde a temperatura pode atingir ou exceder 50 °C.**
7. **Não queime a bateria mesmo que esteja estragada ou completamente gasta.** A bateria pode explodir no fogo.
8. **Não pregue, corte, esmague, atire, deixe cair a bateria, nem bata a bateria contra um objeto**

rijo. Esta conduta pode resultar num incêndio, em calor excessivo ou numa explosão.

9. **Não utilize uma bateria danificada.**
10. **As baterias de íões de lítio contidas na ferramenta são sujeitas aos requisitos da DGL (Dangerous Goods Legislation - Legislação de bens perigosos).**

Para o transporte comercial, por exemplo, por terceiros ou agentes de expedição, têm de ser observados os requisitos referentes à embalagem e etiquetagem.

Para preparação do artigo a ser expedido, é necessário consultar um perito em materiais perigosos. Tenha ainda em conta a possibilidade de existirem regulamentos nacionais mais detalhados.

Coloque fita-cola ou tape os contactos abertos e embale a bateria de tal forma que não possa mover-se dentro da embalagem.
11. **Quando eliminar a bateria, remova-a da ferramenta e elimine-a num local seguro. Siga os regulamentos locais relacionados com a eliminação de baterias.**
12. **Utilize as baterias apenas com os produtos especificados pela Makita.** Instalar as baterias em produtos não-conformes poderá resultar num incêndio, calor excessivo, explosão ou fuga de eletrólito.
13. **Se a ferramenta não for utilizada durante um período de tempo prolongado, a bateria deve ser removida da ferramenta.**
14. **Durante e após a utilização, a bateria pode aquecer, o que pode provocar queimaduras ou queimaduras a baixa temperatura. Preste atenção ao manuseamento de baterias quentes.**
15. **Não toque no terminal da ferramenta imediatamente após a utilização, pois pode ficar suficientemente quente para provocar queimaduras.**
16. **Não permita a adesão de aparas, pó ou sujidade nos terminais, nos orifícios e nas ranhuras da bateria.** Poderá fazer com que a ferramenta ou a bateria aqueça, incendeie, rebente e avarie, resultando em queimaduras ou ferimentos corporais.
17. **A menos que a ferramenta suporte a utilização perto de linhas elétricas de alta tensão, não utilize a bateria perto de linhas elétricas de alta tensão.** Pode resultar no mau funcionamento ou na avaria da ferramenta ou bateria.
18. **Mantenha a bateria afastada das crianças.**

## GUARDE ESTAS INSTRUÇÕES.

**⚠PRECAUÇÃO:** Utilize apenas baterias genuínas da Makita. A utilização de baterias não genuínas da Makita ou de baterias que foram alteradas, pode resultar no rebentamento da bateria provocando incêndios, ferimentos pessoais e danos. Além disso, anulará a garantia da Makita no que se refere à ferramenta e ao carregador Makita.

## Conselhos para manter a máxima vida útil da bateria

1. Carregue a bateria antes que esteja

completamente descarregada. Pare sempre o funcionamento da ferramenta e carregue a bateria quando notar menos poder na ferramenta.

2. Nunca carregue uma bateria completamente carregada. Carregamento excessivo diminui a vida útil da bateria.
3. Carregue a bateria à temperatura ambiente de 10 °C – 40 °C. Deixe que uma bateria quente arrefeça antes de a carregar.
4. Quando não utilizar a bateria, remova-a da ferramenta ou do carregador.
5. Carregue a bateria se não a utilizar durante um longo período de tempo (mais de seis meses).

## DESCRIÇÃO DAS PEÇAS

- Fig.1: 1. Unidade superior 2. Flutuador 3. Gaiola do flutuador 4. Filtro de pano 5. Reservatório

## DESCRIÇÃO FUNCIONAL

**⚠PRECAUÇÃO:** Certifique-se sempre de que o aparelho está desligado e que as baterias foram removidas antes de ajustar ou verificar qualquer função no aparelho.

## Instalação ou remoção da bateria

**⚠PRECAUÇÃO:** Desligue sempre o aparelho antes de instalar ou remover baterias.

**⚠PRECAUÇÃO:** Segure firmemente o aspirador e as baterias quando instalar ou remover baterias. O não cumprimento desta instrução pode fazer com que escorreguem das suas mãos, resultando em danos no aspirador e nas baterias ou ferimentos pessoais.

**⚠PRECAUÇÃO:** Tenha cuidado para não prende os dedos quando abrir ou fechar a tampa da bateria. Se não o fizer poderá causar lesões físicas.

O aspirador tem ranhuras de bateria duplas. Com duas baterias idênticas em paralelo, pode ampliar o tempo de funcionamento em uma ou mais utilizações sem ter de parar para recarregar as baterias. O aspirador também funciona com uma única bateria, por isso, pode optar por baterias duplas ou bateria única de acordo com as suas necessidades.

- Fig.2: 1. Ranhura da bateria esquerda 2. Ranhura da bateria direita

### Com baterias duplas

O funcionamento contínuo com duas baterias permite um maior tempo de funcionamento e uma limpeza mais eficiente. Quando a primeira bateria estiver a ficar descarregada, o aspirador muda automaticamente de fonte de alimentação para que continue a trabalhar com a segunda bateria.

**NOTA:** A ranhura da bateria esquerda (quando está voltada para a parte dianteira do aspirador) tem prioridade sobre a ranhura da bateria direita. A ranhura da bateria direita será apenas identificada como uma fonte de alimentação quando não estiver instalada qualquer bateria na ranhura da bateria esquerda ou a bateria na ranhura da bateria esquerda ficar descarregada.

**NOTA:** Pode remover a bateria da ranhura da bateria esquerda e recarregá-la após o aspirador ter mudado a respetiva fonte de alimentação da ranhura da bateria esquerda para a direita sem interromper a operação. Para voltar a dar prioridade à ranhura da bateria esquerda após a instalação de uma bateria recarregada, reinicie o aspirador.

### Com uma única bateria

É apenas necessária uma bateria como fonte de alimentação na ranhura da bateria esquerda ou direita. O aspirador determina automaticamente que ranhura da bateria está disponível de acordo com as condições operacionais.

### Instalação e desinstalação

Para instalar as baterias, solte primeiramente o bloqueio e abra a tampa das baterias. Em seguida, insira as baterias.

► **Fig.3:** 1. Bloqueio 2. Tampa da bateria

Alinhe as linguetas nas baterias com as ranhuras no compartimento das baterias e deslize-as para a posição correta. Insira-as completamente até bloquearem na posição correta com um pequeno clique. Em seguida, feche a tampa das baterias.

► **Fig.4:** 1. Bateria 2. Botão

Para remover as baterias, deslize-as para fora do compartimento das baterias enquanto pressiona sem soltar os botões em frente das baterias.

**⚠PRECAUÇÃO:** Instale sempre a bateria até ao fim. Caso contrário, pode cair do aparelho acidentalmente e provocar ferimentos em si ou em alguém próximo.



















**⚠PRECAUÇÃO:** Não instale a bateria à força. Se a bateria não deslizar facilmente é porque não foi colocada corretamente.

**NOTA:** Quando o aspirador muda de fonte de alimentação da primeira bateria para a segunda, pode ser necessária uma paragem temporária das operações, provocando uma ligeira perda de sucção. Tenha em conta que não se trata de uma avaria pelo que o aspirador recupera e retoma as operações imediatamente após a pausa.

### Indicação da capacidade restante da bateria

Prima o botão de verificação na bateria para indicar a capacidade restante da bateria. As luzes indicadoras acendem durante alguns segundos.

► **Fig.5:** 1. Luzes indicadoras 2. Botão de verificação

Luzes indicadoras			Capacidade restante
 Aceso	 Apagado	 A piscar	
			75% a 100%
			50% a 75%
			25% a 50%
			0% a 25%
			Carregar a bateria.
			A bateria pode estar avariada.
			

**NOTA:** Dependendo das condições de utilização e da temperatura ambiente, a indicação pode ser ligeiramente diferente da capacidade real.






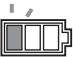


**NOTA:** A primeira luz indicadora (extremo esquerdo) pisca quando o sistema de proteção da bateria funciona.

### Indicadores de bateria no painel de controlo

É possível ler a restante capacidade da bateria no painel de controlo em qualquer momento. Pressione o botão de verificação e os indicadores esquerdo e direito irão apresentar os níveis de carga de bateria de forma correspondente.

► **Fig.6:** 1. Indicadores de bateria 2. Botão de verificação

► **Fig.7**

Estado dos indicadores da bateria			Capacidade restante da bateria
 Aceso	 Apagado	 A piscar	
			50% a 100%
			20% a 50%
			0% a 20%
			Carregar a bateria
			Bateria não inserida

**NOTA:** Os indicadores de bateria serão também ativados quando o aspirador começar a funcionar ou mudar a respetiva fonte de alimentação de uma para a outra.

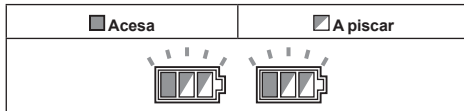
## Sistema de proteção do aparelho/da bateria

O aparelho está equipado com um sistema de proteção do aparelho/da bateria. Este sistema desliga automaticamente a alimentação do motor para prolongar a vida útil do aparelho e da bateria. O aparelho para automaticamente durante o funcionamento se o aparelho ou a bateria se encontrar numa das seguintes condições:

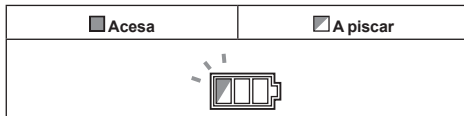
### Proteção contra sobrecarga

Quando o aparelho/a bateria é utilizado/a de uma forma que causa a absorção de uma corrente anormalmente alta, o aparelho para automaticamente. Nesta situação, desligue o aparelho e pare a aplicação que causou a sobrecarga do aparelho. Em seguida, ligue o aparelho para reiniciar.

### Proteção contra sobreaquecimento



Quando o aparelho estiver sobreaquecido, o aparelho para automaticamente e os indicadores de bateria esquerdo e direito piscam. Nesta situação, deixe o aparelho arrefecer antes de o ligar novamente.



Quando a bateria estiver sobreaquecida, o aparelho para automaticamente e um dos indicadores de bateria sobreaquecida pisca. Nesta situação, deixe a bateria arrefecer antes de ligar novamente o aparelho.

### Proteção contra descarga excessiva

Quando a capacidade da bateria ficar fraca, o aparelho para automaticamente. Se o aparelho não funcionar com a operação de comutação, remova as baterias do aparelho e recarregue-as.

### Proteções contra outras causas

O sistema de proteção foi também concebido para outras causas que possam danificar o aparelho e permite ao aparelho parar automaticamente. Tome todas as medidas que se seguem para eliminar as causas quando o aparelho tiver parado ou interrompido temporariamente a operação.

1. Desligue o aparelho e, em seguida, volte a ligá-lo para reiniciar.
2. Carregue a(s) bateria(s) ou substitua-a(s) por bateria(s) recarregada(s).
3. Deixe o aparelho e a(s) bateria(s) arrefecerem.

Se não for possível constatar qualquer melhoria através do restauro do sistema de proteção, contacte o centro de assistência Makita local.

## Ação do interruptor

### Ligar o aspirador

1. Rode o interruptor do modo de espera para a posição "I" (Ligado) para que o aspirador esteja disponível no modo de espera.
2. Pressione o botão de ligar. Para retornar ao modo de espera, pressione novamente o botão de ligar.

### Desligar o aspirador

Efetue um dos seguintes passos.

- Pressione o botão de ligar para voltar a colocar o aspirador no modo de espera e, em seguida, rode o interruptor do modo de espera para a posição "O" (Desligado).
- Rode o interruptor do modo de espera para a posição "O" (Desligado).

### Ajustar a potência de sucção

A potência de sucção pode ser ajustada de acordo com a necessidade do seu trabalho.

- Rode o botão de ajuste da força de sucção para a esquerda para reduzir a potência de sucção.
- Rode o botão de ajuste da força de sucção para a direita para aumentar a potência de sucção.

► **Fig.8:** 1. Interruptor do modo de espera 2. Botão de ligar 3. Botão de ajuste da força de sucção

## Paragem da sucção automática durante a operação de sucção a húmido

**AVISO:** Não utilize durante um período prolongado enquanto o flutuador estiver a funcionar. Utilizar o aspirador com o respetivo flutuador em funcionamento por um período prolongado pode causar sobreaquecimento, resultando na deformação do aspirador.

**AVISO:** Não recolha espuma ou líquido com detergente. Tal pode causar a saída de espuma da saída de ar antes de o flutuador estar em funcionamento. A utilização contínua nestas condições pode causar um choque elétrico e a quebra do aspirador.

A funcionalidade de paragem da sucção automática funciona apenas enquanto o aspirador for utilizado com o flutuador e a gaiola do flutuador.

O aspirador possui um mecanismo de flutuador que evita que a água entre no motor quando recolhe mais do que uma determinada quantidade de água. Quando o reservatório estiver cheio e o aspirador deixar de recolher água, desligue o aspirador e esvazie o reservatório.

## Bloquear e desbloquear os rodízios

Os rodízios traseiros podem ser bloqueados com batentes para favorecer a imobilização do aspirador. Baixe a alavanca do batente manualmente para bloquear o rodízio e levante-a para soltar.

► **Fig.9:** 1. Rodízio 2. Alavanca do batente 3. Posição

**NOTA:** Quando mover o aspirador, certifique-se de que o rodízio está desbloqueado. Mover o aspirador com o rodízio numa posição bloqueada pode causar danos no rodízio.

## Alça de transporte

**⚠️ PRECAUÇÃO:** Levante e transporte o aparelho com o devido cuidado. O não cumprimento desta instrução pode provocar ferimentos pessoais ou danos no aparelho.

Quando transportar o aspirador, transporte-o segurando a pega situada na unidade superior. A pega é retrátil na unidade superior quando não está a ser utilizada.

► Fig.10

## MONTAGEM

**⚠️ PRECAUÇÃO:** Certifique-se sempre de que o aparelho está desligado e que as baterias foram removidas antes de efetuar qualquer trabalho no aparelho.

**⚠️ PRECAUÇÃO:** Use sempre máscara anti-pó durante a montagem ou manutenção.

## Instalar o filtro de pó (HEPA) e o pré-filtro (para pó seco)

### Acessório opcional

**⚠️ PRECAUÇÃO:** Nunca recolha água ou outros líquidos ou pós húmidos quando utilizar o filtro de pó. Recolher essas coisas poderá causar a avaria do filtro de pó.

Para utilizar o filtro de pó:

1. Solte os parafusos que fixam a gaiola do flutuador e, em seguida, remova os parafusos, a gaiola do flutuador e o flutuador da unidade superior.

► Fig.11: 1. Parafuso 2. Gaiola do flutuador 3. Flutuador 4. Unidade superior

2. Remova o filtro de pano para fora do reservatório.  
► Fig.12: 1. Filtro de pano 2. Reservatório

3. Coloque o pré-filtro no reservatório alinhando as marcações da posição de montagem no pré-filtro e no reservatório.

4. Coloque o amortecedor no pré-filtro e, em seguida, coloque o filtro de pó sobre o amortecedor alinhando as marcações da posição de montagem no filtro de pó e no pré-filtro.

5. Monte a unidade superior sobre o reservatório e fixe-os com os trincos de bloqueio.

► Fig.13: 1. Unidade superior 2. Filtro de pó (HEPA) 3. Amortecedor 4. Pré-filtro 5. Reservatório 6. Marcação da posição de montagem

**OBSERVAÇÃO:** Antes de utilizar o filtro de pó, certifique-se de que o pré-filtro e o amortecedor são sempre utilizados em conjunto. Não é permitido instalar unicamente o filtro de pó.

## Instalar o filtro de água

### Acessório opcional

**OBSERVAÇÃO:** Nunca recolha água ou pó húmido sem o flutuador e o filtro de pano ou o filtro de água.

**OBSERVAÇÃO:** Para recolher pó húmido, certifique-se de que a gaiola do flutuador e o flutuador estão instalados no aspirador.

**OBSERVAÇÃO:** Quando instalar o filtro de água no reservatório, coloque-o firme na abertura do reservatório, de modo a que o gancho do filtro de água engate firmemente na abertura do reservatório e não exista espaço entre o filtro de água e o reservatório.

Para recolher apenas água ou pó húmido, o filtro de água é mais adequado do que o filtro de pano.

Quando instalar o filtro de água, alinhe a respetiva marca da posição de montagem com a marca no reservatório.

► Fig.14: 1. Filtro de água 2. Reservatório 3. Marcação da posição de montagem

**NOTA:** Recomenda-se o uso do filtro de água quando recolher grandes quantidades de água repetidamente. Caso contrário, a capacidade de aspiração poderá ser reduzida no caso do filtro de pano.

## Instalar o saco de papel

### Acessório opcional

**⚠️ AVISO:** Antes de utilizar um saco de papel, certifique-se de que o filtro de pano ou o pré-filtro é utilizado em conjunto. Se não utilizar o filtro de pano/pré-filtro em conjunto, pode causar ruído incomum e calor resultando num incêndio.

**OBSERVAÇÃO:** Nunca recolha água ou outros líquidos ou pós húmidos quando utilizar um saco de papel. Recolher essas coisas pode causar o rompimento do saco de papel.

**OBSERVAÇÃO:** Quando utilizar o filtro de pano, certifique-se de que o flutuador e a gaiola do flutuador estão presos na unidade superior.

**OBSERVAÇÃO:** Quando utilizar o pré-filtro, certifique-se de que o filtro de pó e o amortecedor são utilizados em conjunto.

1. Desdobre um saco de papel.  
2. Alinhe a abertura do saco de papel com a entrada de pó do reservatório.

3. Instale o saco de papel no reservatório com a respetiva abertura do papelão enganchada no suporte do saco de papel.

► Fig.15: 1. Saco de papel 2. Abertura do papelão 3. Suporte do saco de papel 4. Entrada de pó

## Instalar o saco de polietileno

Com um saco de polietileno instalado no reservatório, pode facilmente esvaziar o reservatório sem sujar as mãos.

Coloque um saco de polietileno sobre o reservatório e deslize um lado do bordo superior do saco na sua extremidade aberta para o espaço entre a placa do suporte e a parede frontal do reservatório.

► **Fig.16:** 1. Placa do suporte 2. Parede frontal do reservatório 3. Saco de polietileno

Espalhe os outros bordos superiores do saco para fora sobre as bordas superiores do reservatório. Coloque o filtro de pano ou o pré-filtro sobre o saco de polietileno para fixar firmemente a abertura do saco.

► **Fig.17:** 1. Filtro de pano / pré-filtro

**NOTA:** Pode ser utilizado um saco de polietileno disponível no mercado. Recomenda-se uma espessura de 0,04 mm ou superior.

**NOTA:** Demasiado pó causará facilmente o rasgo do saco, por isso, não recolha pó para além de metade da capacidade do saco.

## Esvaziar o reservatório com saco de polietileno

**AVISO:** Certifique-se sempre de que o aspirador está desligado e que as baterias foram removidas antes de esvaziar o reservatório. O não cumprimento desta instrução pode causar choque elétrico e ferimentos pessoais graves.

**OBSERVAÇÃO:** Não exerça um grande impacto na gaiola do flutuador e no reservatório. Aplicar um grande impacto poderá causar a deformação e danos nas peças.

**OBSERVAÇÃO:** Esvazie o reservatório pelo menos uma vez por dia, embora isso dependa do volume de pó recolhido no reservatório. Ou, a força de sucção enfraquecerá e o motor poderá avariar.

**OBSERVAÇÃO:** Não agarre os ganchos ou os trincos quando esvaziar o reservatório. Agarrar os ganchos ou os trincos pode fazer com que se partam.

Solte os trincos de bloqueio e levante a unidade superior para fora do reservatório.

Sacuda o pó do filtro de pano ou pré-filtro antes de elevar o filtro e o afastar do reservatório.

Em seguida, remova o saco de polietileno para fora do reservatório fechando manualmente a abertura do saco.

► **Fig.18:** 1. Saco de polietileno 2. Reservatório

**NOTA:** Retire cuidadosamente o saco de polietileno do reservatório para evitar que fique riscado e seja rasgado pelos bordos no interior do reservatório.

**NOTA:** Esvazie o saco de polietileno antes de este ficar cheio. Demasiado pó no reservatório poderá causar o rasgo do saco de polietileno.

## Instalar o gancho múltiplo

Utilize o gancho múltiplo para segurar uma mangueira, os acessórios e os complementos que não estão a ser utilizados no devido lugar e pode retirá-los rapidamente de acordo com as suas preferências.

► **Fig.19**

Coloque o gancho múltiplo sobre a base de montagem na parte traseira do aspirador, colocando as calhas no gancho múltiplo ao longo das ranhuras na base de montagem.

► **Fig.20:** 1. Gancho múltiplo 2. Base de montagem

## Instalar o adaptador MAKPAC

### Acessório opcional

É possível instalar caixas de armazenamento MAKPAC conectáveis e empilháveis no topo do aspirador com um adaptador opcional. As caixas estão disponíveis em vários tamanhos e estilos para se adequarem às suas preferências.

Coloque o gancho da base de montagem sobre a pega do aspirador com a respetiva superfície de montagem voltada para cima quando a pega estiver dobrada na posição fechada.

► **Fig.21:** 1. Gancho da base de montagem 2. Superfície de montagem 3. Pega

Monte o adaptador MAKPAC no gancho da base de montagem e fixe-os em conjunto com os quatro parafusos fornecidos.

► **Fig.22:** 1. Adaptador MAKPAC 2. Gancho da base de montagem 3. Parafuso

Levante a barra de empurrar e aperte o botão para preparar a instalação das caixas MAKPAC no aspirador.

► **Fig.23:** 1. Barra de empurrar 2. Botão

**NOTA:** Para obter informações sobre a instalação das caixas MAKPAC, consulte as instruções fornecidas com o adaptador e as caixas MAKPAC.

## Instalar a mangueira

**OBSERVAÇÃO:** Nunca force a mangueira para curvá-la ou marcá-la. Nunca mova o aspirador puxando a mangueira. Forçar, marcar e puxar a mangueira pode causar uma quebra ou deformação da mangueira.

**OBSERVAÇÃO:** Quando recolher grandes resíduos como entalhes de plainas, pós concretos ou similares além de pequenos resíduos, utilize a mangueira com diâmetro interior de 38 mm (acessório opcional). Utilizar a mangueira com 28 mm de diâmetro interior (acessório opcional) poderá causar o enchimento e danos da mangueira.

### Ligação ao aspirador

Insira a extremidade da mangueira na entrada de pó (entrada da mangueira) do aspirador e, em seguida, rode-a para a direita até bloquear no devido lugar.

► **Fig.24:** 1. Mangueira 2. Entrada de pó (entrada da mangueira)

### Ligações às suas ferramentas de trabalho

### (Específico do país)

Ao ligar o aspirador a quaisquer ferramentas de trabalho disponíveis e compatíveis com o aspirador, este funciona como um extrator de pó para as suas ferramentas elétricas.

Para ligar uma ferramenta ao aspirador, é necessária a mangueira relevante e/ou peças adicionais. Dependendo do modelo do aspirador, tem de substituir a mangueira e/ou preparar peças adicionais.

Selecione uma das bainhas frontais ou juntas (acessórios opcionais) como as mais adequadas para o seu modelo de ferramenta. Coloque as bainhas ou a junta, conforme necessário, entre a extremidade frontal da mangueira do aspirador e uma porta de extração de pó da sua ferramenta.

- **Fig.25:** 1. Bainhas frontais ou junta 2. Mangueira do aspirador 3. Ferramenta elétrica 4. Aspirador

## Instalar ou remover os acessórios do aspirador

**⚠PRECAUÇÃO:** Após instalar um acessório, verifique se este está firmemente instalado. Se instalar o acessório de forma imperfeita, este pode soltar-se e provocar ferimentos.

## Ligar o conjunto de tubo curvo

### Acessório opcional

**NOTA:** Não necessita de realizar este procedimento se o seu modelo for fornecido com o conjunto de tubo curvo preso à mangueira.

O conjunto de tubo curvo é utilizado para ligar o tubo extensor ou o bocal para aspiração a este produto. Se pretender utilizar este produto como aspirador, prenda o conjunto de tubo curvo na mangueira.

### Para o conjunto de tubo curvo tipo aparafusável

Para prender, desaparafuse a bainha frontal da mangueira e aperte a manga do conjunto de tubo curvo à mangueira.

Para remover, solte a manga do conjunto de tubo curvo da mangueira.

- **Fig.26:** 1. Mangueira 2. Conjunto de tubo curvo 3. Manga

### Para o conjunto de tubo curvo tipo encaixável

Para prender, insira a extremidade da mangueira no conjunto de tubo curvo. Certifique-se de que as abas na extremidade da mangueira encaixam nos orifícios no conjunto de tubo curvo.

Para remover, puxe o conjunto de tubo curvo enquanto pressiona ambas as abas na extremidade da mangueira.

- **Fig.27:** 1. Extremidade da mangueira 2. Aba 3. Orifício 4. Conjunto de tubo curvo

## Quando utilizar o acessório sem a função de bloqueio

### Acessório opcional

Insira um acessório no bocal de sucção do aspirador empurrando-o e apertando-o manualmente no devido

lugar.

Rode manualmente e desmonte o acessório do bocal de sucção após a utilização.

- **Fig.28**

## Acessórios com a função de bloqueio

### Acessório opcional

**OBSERVAÇÃO:** Quando instalar o acessório com a função de bloqueio, certifique-se de que alinha o botão de libertação com o gancho no acessório. Se não estiverem alinhados, o acessório não bloqueia e pode soltar-se do aspirador.

Insira um acessório no bocal de sucção do aspirador empurrando-os em conjunto com um clique. Para remover o acessório, retire-o enquanto pressiona o botão de libertação.

- **Fig.29:** 1. Bocal de sucção com a função de bloqueio 2. Botão de libertação 3. Acessório com a função de bloqueio

**NOTA:** Um acessório com a função de bloqueio só pode ser instalado no bocal de sucção com a função de bloqueio.

- **Fig.30:** 1. Acessório com a função de bloqueio 2. Bocal de sucção com a função de bloqueio 3. Bocal de sucção sem a função de bloqueio

## Montar o bocal e o tubo

### Acessório opcional

**NOTA:** O tipo de bocal e tubo incluídos no produto varia em função do país. Em alguns países, o bocal e o tubo não estão incluídos.

Rode e insira o bocal no tubo extensor.

- **Fig.31:** 1. Tubo extensor 2. Bocal em borracha flexível 3. Bocal para cantos 4. Bocal em forma de T

**NOTA:** O bocal pode ser ligado firmemente ao tubo extensor, rodando-o enquanto é inserido.

**NOTA:** Para o modelo com mangueira de  $\varnothing 38$  mm e bainha frontal 38, prenda o bocal fornecido no tubo curvo de alumínio/tubo reto de alumínio.

Quando utilizar o bocal em T para mudança entre piso/carpete, pode alterar o modo em função do local.

- Modo de piso: adequado para um local uniforme como um piso duro
- Modo de carpete: adequado para um local felpudo como uma carpete ou um tapete

- **Fig.32:** 1. Botão de mudança de modo 2. Modo de piso 3. Modo de carpete

## Ajustar os comprimentos do tubo extensor do tipo correção

### Acessório opcional

É possível combinar um tubo extensor do tipo correção para comprimentos mais curtos e mais longos. Tal permite limpar áreas de difícil acesso e opções de

posicionamento confortáveis.

Insira e retire o tubo deslizante para alterar os comprimentos do tubo enquanto pressiona sem soltar o botão deslizante.

Solte o botão deslizante para bloquear o tubo deslizante na posição pretendida.

► **Fig.33:** 1. Tubo deslizante 2. Botão deslizante

## MANUTENÇÃO

**⚠PRECAUÇÃO:** Certifique-se sempre de que o aparelho está desligado e que as baterias foram removidas antes de tentar efetuar qualquer inspeção ou manutenção.

**OBSERVAÇÃO:** Nunca utilize gasolina, benzina, diluente, álcool ou produtos semelhantes. Pode ocorrer a descoloração, deformação ou rachaduras.

Para manter a SEGURANÇA e a FIABILIDADE do produto, as reparações e qualquer outra manutenção ou ajuste devem ser levados a cabo pelos centros de assistência Makita autorizados ou pelos centros de assistência de fábrica, utilizando sempre peças de substituição Makita.

### Armazenamento de acessórios

Os acessórios e os complementos que não estão a ser utilizados, como os bocais e as escovas, podem ser enganchados e armazenados no gancho múltiplo na parte traseira do aspirador.

► **Fig.34:** 1. Gancho múltiplo 2. Acessórios e complementos que não estão a ser utilizados

Os tubos (com um batente opcional instalado) podem ser colocados no suporte do tubo quando não utilizar o aspirador por um período curto.

► **Fig.35:** 1. Batente (acessório opcional) 2. Suporte do tubo

É possível enrolar e armazenar uma mangueira em torno do corpo ou da pega do aspirador em voltas largas. Ligue as respetivas extremidades entre si para fazer voltas e enganche as voltas na pega levantada. Em alternativa, mantenha a respetiva extremidade original instalada na entrada da mangueira e pendure as voltas no gancho múltiplo com a extremidade solta amarrada.

► **Fig.36**

► **Fig.37**

### Limpar o filtro de pano

Limpe regularmente o filtro de pano uma vez que um filtro de pano obstruído pode dar origem a um fraco desempenho de sucção.

Por vezes, limpe e sacuda manualmente o pó do filtro de pano.

► **Fig.38:** 1. Filtro de pano

### Limpar o filtro de pó (HEPA) e o pré-filtro

#### Acessório opcional

Limpe regularmente o filtro de pó, o pré-filtro e o amortecedor uma vez que os filtros e um amortecedor obstruídos podem dar origem a um fraco desempenho de sucção.

De forma rotineira, limpe e sacuda manualmente o pó dos filtros e do amortecedor.

Lave ocasionalmente o filtro de pó em água, enxágue-o e deixe-o secar bem à sombra antes de usar. Nunca lave os filtros numa máquina de lavar roupa.

► **Fig.39**

**NOTA:** Não esfregue ou arranhe o filtro de pó, o pré-filtro ou o amortecedor com objetos duros, tais como uma escova e uma palheta.

**NOTA:** Os filtros sofrem desgaste com o tempo. Recomenda-se ter algumas peças sobresselentes para estes.

## ACESSÓRIOS OPCIONAIS

**⚠PRECAUÇÃO:** Estes acessórios ou peças são recomendados para utilização com a ferramenta Makita especificada neste manual. A utilização de outros acessórios ou peças pode ser perigosa para as pessoas. Utilize apenas acessórios ou peças para os fins indicados.

Alguns acessórios podem não estar instalados de acordo com a combinação das peças.

Se necessitar de informações adicionais relativas a estes acessórios, solicite-as ao seu centro de assistência Makita.

- Mangueira
- Bainhas frontais (22, 24, 38)
- Tubo reto
- Tubo extensor
- Bocal para cantos
- Escova redonda
- Filtro de pó, HEPA (para pó seco)
- Amortecedor
- Pré-filtro
- Filtro de água
- Filtro de pano
- Bocal em forma de T
- Tubo curvo
- Saco de polietileno
- Saco de papel
- Adaptador MAKPAC
- Bateria e carregador genuínos da Makita

**NOTA:** Alguns itens da lista podem estar incluídos na embalagem da ferramenta como acessórios padrão. Eles podem variar de país para país.



## ΠΡΟΕΙΔΟΠΟΙΗΣΗ

- Το μηχάνημα αυτό δεν προορίζεται για χρήση από άτομα, συμπεριλαμβανομένων των παιδιών, με μειωμένες σωματικές, αισθητήριες ή διανοητικές ικανότητες, ή από άτομα που δεν έχουν πείρα και γνώσεις.
- Τα παιδιά θα πρέπει να επιτηρούνται για να εξασφαλιστεί ότι δεν παίζουν με τη μηχανή.
- Για την αναφορά του τύπου της μπαταρίας, δείτε το κεφάλαιο «ΠΡΟΔΙΑΓΡΑΦΕΣ».
- Για τον τρόπο αφαίρεσης ή τοποθέτησης της μπαταρίας, δείτε την ενότητα «Τοποθέτηση ή αφαίρεση της κασέτας μπαταριών».
- Όταν απορρίπτετε την κασέτα μπαταριών, αφαιρέστε την από το εργαλείο και διαθέστε την σε ένα ασφαλές μέρος. Τηρήστε τους τοπικούς κανονισμούς που σχετίζονται με τη διάθεση της μπαταρίας.
- Αν δεν χρησιμοποιείτε το εργαλείο για μεγάλο χρονικό διάστημα, πρέπει να βγάλετε την μπαταρία από το εργαλείο.
- Μη βραχυκυκλώνετε την κασέτα μπαταριών.
- Για τις κατάλληλες λεπτομέρειες των προφυλάξεων κατά τη διάρκεια της συντήρησης από τον χρήστη, δείτε το κεφάλαιο «ΣΥΝΤΗΡΗΣΗ».

## ΠΡΟΔΙΑΓΡΑΦΕΣ

Μοντέλο:	VC001GL	VC003GL	
Τυπικός τύπος φίλτρου	Υφασμάτινο φίλτρο (για ξηρή και υγρή σκόνη)		
Μέγιστος όγκος αέρα στο τέλος του εύκαμπτου σωλήνα (με το BL4040, εύκαμπτος σωλήνας $\varnothing 32$ mm x 1,7 m)	2,7 m <sup>3</sup> /min		
Μέγιστος όγκος αέρα στον στρόβιλο (με το BL4040)	4,2 m <sup>3</sup> /min		
Υποπίεση (με το BL4040)	23 kPa		
Ανακτήσιμη χωρητικότητα	Σκόνη	8 L	15 L
	Νερό	6 L	12 L
Διαστάσεις (Μ x Π x Υ)	366 mm x 334 mm x 425 mm	366 mm x 334 mm x 475 mm	
Ονομαστική τάση	D.C. 36 V - 40 V max		
Καθαρό βάρος	8,1 - 11,2 kg	8,4 - 11,5 kg	
Βαθμός προστασίας	IPX4		

- Λόγω του συνεχιζόμενου προγράμματος έρευνας και ανάπτυξης, οι προδιαγραφές αυτές υπόκεινται σε αλλαγές χωρίς προειδοποίηση.
- Οι προδιαγραφές και η κασέτα μπαταριών μπορεί να διαφέρουν ανάλογα με τη χώρα.
- Το βάρος δεν περιλαμβάνει εξαρτήματα αλλά την(ις) κασέτα(ες) μπαταριών. Το μικρότερο και μεγαλύτερο βάρος των συνδυασμών της συσκευής και της(ων) κασέτας(ών) μπαταριών απεικονίζονται στον πίνακα.
- Για υγρή σκόνη, απαιτούνται ο πλωτήρας και το φίλτρο νερού ή το υφασμάτινο φίλτρο.

## Ισχύουσα κασέτα μπαταριών και φορτιστής

Κασέτα μπαταρίας	BL4020 / BL4025 / BL4040* / BL4040F* / BL4050F* / BL4080F* *: Συνιστώμενη μπαταρία
Φορτιστής	DC40RA / DC40RB / DC40RC / DC40WA

- Ορισμένες από τις κασέτες και τους φορτιστές μπαταριών που αναγράφονται παραπάνω ίσως να μην είναι διαθέσιμοι, ανάλογα με την τοποθεσία κατοικίας σας.

**⚠ ΠΡΟΕΙΔΟΠΟΙΗΣΗ:** Να χρησιμοποιείτε μόνο τις κασέτες μπαταριών και τους φορτιστές που παρατίθενται ανωτέρω. Η χρήση οποιασδήποτε άλλης κασέτας μπαταριών ή φορτιστή μπορεί να προκαλέσει τραυματισμό ή/και πυρκαγιά.

## Σύμβολα

Παρακάτω παρουσιάζονται τα σύμβολα που μπορούν να χρησιμοποιηθούν για τον εξοπλισμό. Βεβαιωθείτε ότι κατανοείτε τη σημασία τους πριν από τη χρήση.



Διαβάστε το εγχειρίδιο οδηγιών.



Απαιτούνται ιδιαίτερη φροντίδα και προσοχή.



Προειδοποίηση! Η σκούπα μπορεί να περιέχει επικίνδυνη σκόνη.



Να μη στέκεστε ποτέ πάνω στη σκούπα.



Σκόνη τάξης L (ελαφριά). Οι σκούπες αναρρόφησης έχουν τη δυνατότητα να αναρροφούν σκόνη τάξης L. Ακολουθήστε τους κανονισμούς της χώρας σας όσον αφορά τη σκόνη καθώς και την υγεία και ασφάλεια στο χώρο εργασίας.



Μόνο για τις χώρες της ΕΕ  
Λόγω της παρουσίας των επικίνδυνων συστατικών μερών στον εξοπλισμό, ο απόβλητος ηλεκτρικός και ηλεκτρονικός εξοπλισμός, οι συσσωρευτές και οι μπαταρίες μπορεί να έχουν αρνητική επίδραση στο περιβάλλον και την ανθρώπινη υγεία. Μην απορρίπτετε τις ηλεκτρικές και ηλεκτρονικές συσκευές ή μπαταρίες μαζί με τα οικιακά απορρίμματα!  
Σύμφωνα με την Ευρωπαϊκή Οδηγία για τον απόβλητο ηλεκτρικό και ηλεκτρονικό εξοπλισμό και για τους συσσωρευτές και μπαταρίες και τους απόβλητους συσσωρευτές και μπαταρίες, καθώς και την προσαρμογή τους στην εθνική νομοθεσία, ο απόβλητος ηλεκτρικός εξοπλισμός, οι μπαταρίες και οι συσσωρευτές θα πρέπει να αποθηκεύονται ξεχωριστά και να παραδίδονται σε ξεχωριστό σημείο συλλογής για δημοτικά απόβλητα, το οποίο λειτουργεί σύμφωνα με τους κανονισμούς για την προστασία του περιβάλλοντος.  
Αυτό υποδεικνύεται από το σύμβολο του διαγραμμένου τροχοφόρου κάδου που βρίσκεται αναριημένο επάνω στον εξοπλισμό.

## Προοριζόμενη χρήση

Η συσκευή προορίζεται για τη συλλογή υγρής και ξηρής σκόνης. Η συσκευή είναι κατάλληλη για εμπορική χρήση, για παράδειγμα, σε ξενοδοχεία, σχολεία, νοσοκομεία, εργοστάσια, καταστήματα, γραφεία και επιχειρήσεις ενοικίασης.

## Θόρυβος

Το τυπικό Α επίπεδο καταμετρημένου θορύβου καθορίζεται σύμφωνα με το EN60335-2-69:

### Μοντέλο VC001GL

Στάθμη ηχητικής πίεσης ( $L_{pA}$ ): 70 dB (A) ή λιγότερο  
Αβεβαιότητα (K): 2,5 dB (A)

### Μοντέλο VC003GL

Στάθμη ηχητικής πίεσης ( $L_{pA}$ ): 70 dB (A) ή λιγότερο  
Αβεβαιότητα (K): 2,5 dB (A)

Η ένταση θορύβου υπό συνθήκες εργασίας μπορεί να υπερβεί τα 80 dB (A).

**ΠΑΡΑΤΗΡΗΣΗ:** Η δηλωμένη τιμή(ές) εκπομπής θορύβου έχει μετρηθεί σύμφωνα με την πρότυπη μέθοδο δοκιμής και μπορεί να χρησιμοποιηθεί για τη σύγκριση ενός εργαλείου με κάποιο άλλο.

**ΠΑΡΑΤΗΡΗΣΗ:** Η δηλωμένη τιμή(ές) εκπομπής θορύβου μπορεί να χρησιμοποιηθεί και στην προκαταρκτική αξιολόγηση της έκθεσης.

**▲ΠΡΟΕΙΔΟΠΟΙΗΣΗ:** Να φοράτε ωτοασπίδες.

**▲ΠΡΟΕΙΔΟΠΟΙΗΣΗ:** Η εκπομπή θορύβου κατά τη χρήση του ηλεκτρικού εργαλείου σε πραγματικές συνθήκες μπορεί να διαφέρει από τη δηλωμένη τιμή(ές) ανάλογα με τους τρόπους χρήσης του εργαλείου, ιδιαίτερα το είδος του τεμαχίου εργασίας που υπόκειται επεξεργασία.

**▲ΠΡΟΕΙΔΟΠΟΙΗΣΗ:** Φροντίστε να λάβετε τα κατάλληλα μέτρα προστασίας του χειριστή βάσει ενός υπολογισμού της έκθεσης σε πραγματικές συνθήκες χρήσης (λαμβάνοντας υπόψη όλες τις συνιστώσες του κύκλου λειτουργίας όπως τους χρόνους που το εργαλείο είναι εκτός λειτουργίας και όταν βρίσκεται σε αδρανή λειτουργία πέραν του χρόνου ενεργοποίησης).

## Κραδασμός

Η ολική τιμή δόνησης (άθροισμα τρι-αξονικού διανύσματος) καθορίζεται σύμφωνα με το EN60335-2-69:

### Μοντέλο VC001GL

Εκπομπή δόνησης ( $a_{h,m}$ ): 2,5 m/s<sup>2</sup> ή λιγότερο  
Αβεβαιότητα (K): 1,5 m/s<sup>2</sup>

### Μοντέλο VC003GL

Εκπομπή δόνησης ( $a_{h,m}$ ): 2,5 m/s<sup>2</sup> ή λιγότερο  
Αβεβαιότητα (K): 1,5 m/s<sup>2</sup>

**ΠΑΡΑΤΗΡΗΣΗ:** Η δηλωμένη τιμή(ές) συνολικών κραδασμών έχει μετρηθεί σύμφωνα με την πρότυπη μέθοδο δοκιμής και μπορεί να χρησιμοποιηθεί για τη σύγκριση ενός εργαλείου με κάποιο άλλο.

**ΠΑΡΑΤΗΡΗΣΗ:** Η δηλωμένη τιμή(ές) συνολικών κραδασμών μπορεί να χρησιμοποιηθεί και στην προκαταρκτική αξιολόγηση της έκθεσης.

**▲ΠΡΟΕΙΔΟΠΟΙΗΣΗ:** Η εκπομπή κραδασμών κατά τη χρήση του ηλεκτρικού εργαλείου σε πραγματικές συνθήκες μπορεί να διαφέρει από τη δηλωμένη τιμή(ές) εκπομπής ανάλογα με τους τρόπους χρήσης του εργαλείου, ιδιαίτερα το είδος του τεμαχίου εργασίας που υπόκειται επεξεργασία.

**▲ΠΡΟΕΙΔΟΠΟΙΗΣΗ:** Φροντίστε να λάβετε τα κατάλληλα μέτρα προστασίας του χειριστή βάσει ενός υπολογισμού της έκθεσης σε πραγματικές συνθήκες χρήσης (λαμβάνοντας υπόψη όλες τις συνιστώσες του κύκλου λειτουργίας όπως τους χρόνους που το εργαλείο είναι εκτός λειτουργίας και όταν βρίσκεται σε αδρανή λειτουργία πέραν του χρόνου ενεργοποίησης).

## Δήλωση Συμμόρφωσης

*Μόνο για χώρες της Ευρώπης*

Οι Δηλώσεις Συμμόρφωσης περιλαμβάνονται στο

## ΠΡΟΕΙΔΟΠΟΙΗΣΕΙΣ ΑΣΦΑΛΕΙΑΣ

### Προειδοποιήσεις ασφάλειας για τη φορητή μηχανή αναρρόφησης

**⚠ ΠΡΟΕΙΔΟΠΟΙΗΣΗ: ΣΗΜΑΝΤΙΚΟ! ΔΙΑΒΑΣΤΕ ΠΡΟΣΕΚΤΙΚΑ** όλες τις προειδοποιήσεις για την ασφάλεια και όλες τις οδηγίες ΠΡΙΝ ΑΠΟ ΤΗ ΧΡΗΣΗ. Η μη τήρηση των προειδοποιήσεων και οδηγιών μπορεί να καταλήξει σε ηλεκτροπληξία, πυρκαγιά ή/και σοβαρό τραυματισμό.

1. Πριν από τη χρήση, βεβαιωθείτε ότι αυτή η μηχανή θα χρησιμοποιηθεί από άτομα στα οποία έχουν δοθεί επαρκείς οδηγίες για τη χρήση αυτής της μηχανής.
2. Πριν τη χρήση, στους χειριστές θα δοθούν πληροφορίες, οδηγίες και εκπαίδευση για τη χρήση του μηχανήματος και των ουσιών με τις οποίες θα χρησιμοποιηθεί, συμπεριλαμβανομένης της ασφαλούς μεθόδου αφαίρεσης και διάθεσης του υλικού που συλλέχθηκε.
3. Αν βγει αφρός/υγρό, σβήστε αμέσως.
4. Να καθαρίζετε τακτικά τη διάταξη περιορισμού της στάθμης νερού και να την εξετάζετε για ενδείξεις ζημιάς.
5. Να βεβαιώνετε πάντα ότι τα φίλτρα έχουν τοποθετηθεί σωστά πριν από τη χρήση. Μη χρησιμοποιείτε τη σκούπα χωρίς τα φίλτρα να βρίσκονται στη θέση τους. Αντικαταστήστε αμέσως ένα φίλτρο που έχει υποστεί ζημιά. Συνιστάται να έχετε μερικά ανταλλακτικά επειδή τα φίλτρα είναι αναλώσιμα αντικείμενα.
6. **ΝΑ ΑΠΟΦΕΥΓΕΤΕ ΤΗΝ ΑΘΕΛΗΤΗ ΕΝΕΡΓΟΠΟΙΗΣΗ.** Βεβαιωθείτε ότι ο διακόπτης είναι ΚΛΕΙΣΤΟΣ όταν τοποθετείτε την(τις) μπαταρία(ες).
7. Μη επιχειρήσετε να συλλέξετε εύφλεκτα υλικά, πυροτεχνήματα, αναμμένα τσιγάρα, καυτές στάχτες, ζεστά μεταλλικά θραύσματα και αιχμηρά αντικείμενα όπως ξυραφάκια, βελόνες, σπασμένο γυαλί ή παρόμοια αντικείμενα.
8. **ΜΗ ΧΡΗΣΙΜΟΠΟΙΕΙΤΕ ΠΟΤΕ ΤΗ ΜΗΧΑΝΗ ΚΟΝΤΑ ΣΕ ΒΕΝΖΙΝΗ, ΑΕΡΙΑ, ΜΠΟΓΙΑ, ΚΟΛΕΣ Ή ΑΛΛΕΣ ΥΨΗΛΑ ΕΚΡΗΚΤΙΚΕΣ ΟΥΣΙΕΣ.** Ο διακόπτης παράγει σπινθήρες όταν ενεργοποιείται και απενεργοποιείται. Το ίδιο και ο μετατροπέας μοτέρ κατά τη διάρκεια της λειτουργίας. Μπορεί να προκύψει επικίνδυνη έκρηξη.
9. **Μην αναρροφάτε ποτέ τοξικά, καρκινογόνα, καύσιμα ή άλλα επικίνδυνα υλικά, όπως αμίαντο, αρσενικό, βάριο, βηρύλλιο, μόλυβδο, εντομοκτόνα ή άλλα υλικά που αποτελούν κίνδυνο για την υγεία.**
10. **Να τοποθετείτε πάντα τη σκούπα σε οριζόντια επίπεδη επιφάνεια, για να αποφευχθεί η πτώση ή η μετακίνησή της κατά λάθος.**
11. **Μη χρησιμοποιείτε ποτέ τη μηχανή σε εξωτερικό χώρο στη βροχή.**
12. **Για τη Φιλανδία, αυτό το μηχανήμα δεν πρέπει να χρησιμοποιηθεί σε εξωτερικούς χώρους σε χαμηλή θερμοκρασία.**
13. **Μη χρησιμοποιείτε κοντά σε πηγές θερμότητας (φούρνοι, κτλ.).**
14. **Αν ο αέρας εξαγωγής επιστρέφει στο δωμάτιο, είναι απαραίτητο να φροντίσετε για τον επαρκή ρυθμό αλλαγής του αέρα στο δωμάτιο. Είναι απαραίτητο να ανατρέξετε στους εθνικούς κανονισμούς.**
15. **Μην φράσσετε τα ανοίγματα εισόδου αναρρόφησης/εξόδου/ψύξης. Αυτά τα ανοίγματα επιτρέπουν την ψύξη του μοτέρ. Θα πρέπει να αποφευχθεί προσεκτικά το φράξιμο, διαφορετικά το μοτέρ θα καεί λόγω έλλειψης αερισμού.**
16. **Να στέκεστε πάντα σταθερά και ισορροπημένα.**
17. **Μη διπλώνετε, μην τραβάτε και μην πατάτε τον εύκαμπτο σωλήνα.**
18. **Διακόψτε αμέσως τη λειτουργία της μηχανής αν παρατηρήσετε ανεπαρκή απόδοση ή οτιδήποτε ασυνήθιστο κατά τη λειτουργία.**
19. **ΒΓΑΛΤΕ ΤΗΝ(ΤΙΣ) ΜΠΑΤΑΡΙΑ(ΕΣ).** Όταν δεν χρησιμοποιείται, πριν από το σέρβις και όταν αλλάζετε αξεσουάρ.
20. **Καθαρίστε και εκτελέστε σέρβις στη μηχανή αμέσως μετά από κάθε χρήση για να διατηρείται σε άριστη λειτουργική κατάσταση.**
21. **ΔΙΑΤΗΡΕΙΤΕ ΤΗ ΜΗΧΑΝΗ ΜΕ ΠΡΟΣΟΧΗ.** Να διατηρείτε τη μηχανή καθαρή για την καλύτερη και ασφαλέστερη απόδοση. Να ακολουθείτε τις οδηγίες για την αλλαγή των αξεσουάρ. Να διατηρείτε τις λαβές στεγνές, καθαρές, χωρίς λάδι και γράσο.
22. **ΝΑ ΕΛΕΓΧΕΤΕ ΤΑ ΜΕΡΗ ΜΕ ΖΗΜΙΑ.** Πριν από την περαιτέρω χρήση της μηχανής, θα πρέπει να ελέγχετε προσεκτικά τυχόν προστατευτικά εξαρτήματα ή άλλα εξάρτημα με ζημιά για να καθορίσετε αν θα λειτουργήσουν σωστά και αν θα πραγματοποιήσουν την προοριζόμενη λειτουργία τους. Ελέγξτε την ευθυγράμμιση των κινούμενων μερών, την ελεύθερη κίνηση των κινούμενων μερών, το τυχόν σπάσιμο εξαρτημάτων, τη στερέωση και οποιοσδήποτε άλλες συνθήκες που μπορεί να επηρεάσουν τη λειτουργία του εργαλείου. Ένα προστατευτικό ή άλλο εξάρτημα με ζημιά θα πρέπει να επισκευαστεί ή να αντικατασταθεί σωστά σε εξουσιοδοτημένο κέντρο σέρβις εκτός αν δηλώνεται διαφορετικά στο παρόν εγχειρίδιο οδηγίων. Οι ελαττωματικοί διακόπτες πρέπει να αντικαθίστανται σε εξουσιοδοτημένο κέντρο σέρβις. Μη χρησιμοποιείτε τη μηχανή αν ο διακόπτης δεν την ενεργοποιεί και δεν την απενεργοποιεί.
23. **Για τις εργασίες σέρβις από τον χρήστη, το μηχανήμα μπορεί να αποσυναρμολογηθεί, να καθαριστεί και να συντηρηθεί, όσο είναι εύλογα πρακτικό, χωρίς να προκληθεί κίνδυνος στο προσωπικό συντήρησης και σε άλλους.**
24. **Το μηχανήμα θα πρέπει να υπόκειται σε τεχνική επιθεώρηση από τον κατασκευαστή,**

- ή από εντεταλμένο άτομο, τουλάχιστον επι-  
σίως, περιλαμβάνοντας, για παράδειγμα, την  
επιθεώρηση των φίλτρων για ζημία, την αερο-  
στεγανότητα του μηχανήματος και τη σωστή  
λειτουργία του μηχανισμού ελέγχου.
25. Όταν διεξαγάγετε εργασίες σέρβις ή επι-  
σκευής, όλα τα μολυσμένα στοιχεία που δεν  
μπορούν να καθαριστούν σε ικανοποιητικό  
βαθμό πρέπει να διατεθούν. Αυτά τα στοιχεία  
πρέπει να διατεθούν μέσα σε αδιαπέρα-  
στες σακούλες σύμφωνα με οποιονδήποτε  
ισχύοντα κανονισμό για τη διάθεση τέτοιων  
αποβλήτων.
  26. **ΑΝΤΑΛΛΑΚΤΙΚΑ.** Κατά το σέρβις, να χρησιμο-  
ποιείτε μόνο γνήσια ανταλλακτικά.
  27. **ΝΑ ΑΠΟΘΗΚΕΥΕΤΕ ΤΗ ΜΗΧΑΝΗ ΟΤΑΝ ΔΕΝ  
ΤΗ ΧΡΗΣΙΜΟΠΟΙΕΙΤΕ.** Όταν δεν χρησιμοποι-  
είται, η μηχανή θα πρέπει να αποθηκεύεται σε  
εσωτερικό χώρο.
  28. Τα υγρά φίλτρα και το εσωτερικό μέρος του  
δοχείου υγρού πρέπει να στεγνώσουν πριν  
την αποθήκευση.
  29. Να προσέχετε τη μηχανή. Ο σκληρός χειρι-  
σμός της μπορεί να προκαλέσει το σπάσιμο ακόμη  
και την πιο καλοκατασκευασμένης μηχανής.
  30. Μην επιχειρήσετε να καθαρίσετε το εξωτερικό  
ή το εσωτερικό με βενζίνη, νέφτι ή καθαριστι-  
κές χημικές ουσίες. Μπορεί να προκληθούν  
ρωγμές και αποχρωματισμός.
  31. Μην χρησιμοποιείτε τη μηχανή σε κλειστό χώρο  
στον οποίο απελευθερώνονται εύφλεκτοι,  
εκρηκτικοί ή τοξικοί ατμοί από μπαταρίες με  
βάση το λάδι, νέφτι, βενζίνη, μερικές ουσίες  
κατά της σκουριάς, κτλ., ή σε περιοχές όπου  
υπάρχει εύφλεκτη σκόνη.
  32. Μην χρησιμοποιείτε αυτό το εργαλείο ή οποιο-  
δήποτε άλλο εργαλείο υπό την επήρεια ναρ-  
κωτικών ουσιών ή αλκοόλ.
  33. Ως βασικός κανόνας ασφάλειας, να χρησιμο-  
ποιείτε γυαλιά ασφαλείας ή γυαλιά με πλαϊνά  
προστατευτικά.
  34. Να χρησιμοποιείτε μάσκα κατά της σκόνης σε  
συνθήκες με πολλή σκόνη.
  35. Το μηχάνημα αυτό δεν προορίζεται για χρήση  
από άτομα, συμπεριλαμβανομένων των παι-  
διών, με μειωμένες σωματικές, αισθητήριες ή  
διανοητικές ικανότητες, ή από άτομα που δεν  
έχουν πείρα και γνώσεις.
  36. Τα παιδιά θα πρέπει να επιτηρούνται για να  
εξασφαλιστεί ότι δεν παίζουν με τη μηχανή.
  37. Μην χειρίζεστε ποτέ την(τις) μπαταρία(ες) και τη  
σκούπα με βρεγμένα χέρια.
  38. Να προσέχετε ιδιαίτερα όταν καθαρίζετε  
σκαλοπάτια.
  39. Μην χρησιμοποιείτε τη μηχανή για σκαμπό ή  
πάγκο εργασίας. Η μηχανή σκούπα μπορεί  
να πέσει και να προκαλέσει προσωπικό  
τραυματισμό.

#### Χρήση και φροντίδα μπαταριών

1. Να επαναφορτίζετε τις μπαταρίες μόνο με το  
φορτιστή που καθορίζεται από τον κατασκευα-  
στή. Ένας φορτιστής που είναι κατάλληλος για μια  
συγκεκριμένη μπαταρία μπορεί να δημιουργήσει  
κίνδυνο πυρκαγιάς όταν χρησιμοποιείται με μια

άλλη μπαταρία.

2. **Να χρησιμοποιείτε ηλεκτρικά εργαλεία μόνο με  
ειδικά καθορισμένες μπαταρίες.** Η χρήση κάθε  
άλλης μπαταρίας μπορεί να δημιουργήσει κίνδυνο  
τραυματισμού ή πυρκαγιάς.
3. **Όταν δεν χρησιμοποιείται η κασέτα μπατα-  
ριών, διατηρήστε τη μακριά από άλλα μετα-  
λλικά αντικείμενα, όπως συνδετήρες, κέρματα,  
κλειδιά, καρφιά, βίδες ή άλλα μικρά μεταλλικά  
αντικείμενα, με τα οποία μπορεί να δημιουρ-  
γηθεί σύνδεση από τον έναν ακροδέκτη στον  
άλλον.** Το βραχυκύκλωμα των ακροδεκτών της  
μπαταρίας μπορεί να προκαλέσει εγκαύματα ή  
πυρκαγιά.
4. **Υπό συνθήκες κατάχρησης, μπορεί να εξαχθεί  
υγρό από την μπαταρία. Να αποφεύγετε την  
επαφή. Εάν συμβεί επαφή κατά λάθος, εκπλύ-  
νετε με νερό. Εάν το υγρό έρθει σε επαφή με τα  
μάτια, αναζητήστε και ιατρική βοήθεια.** Το υγρό  
που εξάγεται από την μπαταρία μπορεί να προκα-  
λέσει ήρεθισμό ή εγκαύματα.
5. **Μην χρησιμοποιείτε μια κασέτα μπαταριών  
ή εργαλείο που έχει καταστραφεί ή τροπο-  
ποιηθεί.** Οι κατεστραμμένες ή τροποποιημένες  
μπαταρίες μπορεί να παρουσιάζουν απρόβλεπτη  
συμπεριφορά που έχει ως αποτέλεσμα πυρκαγιά,  
έκρηξη ή κίνδυνο τραυματισμού.
6. **Μην εκθέτετε την κασέτα μπαταριών ή το  
εργαλείο σε πυρκαγιά ή υπερβολικά υψηλή  
θερμοκρασία.** Η έκθεση στην πυρκαγιά ή στη  
θερμοκρασία άνω των 130 °C μπορεί να προκαλέ-  
σει έκρηξη.
7. **Ακολουθήστε όλες τις οδηγίες φόρτισης και  
μην φορτίστε την κασέτα μπαταριών ή το  
εργαλείο εκτός του θερμοκρασιακού εύρους  
που καθορίζεται στις οδηγίες.** Η λανθασμένη  
φόρτιση ή η φόρτιση σε θερμοκρασίες εκτός του  
καθορισμένου εύρους μπορεί να προκαλέσει  
ζημία στην μπαταρία και να αυξήσει τον κίνδυνο  
πυρκαγιάς.

## ΦΥΛΑΞΤΕ ΤΙΣ ΟΔΗΓΙΕΣ ΑΥΤΕΣ.

**▲ΠΡΟΕΙΔΟΠΟΙΗΣΗ:** ΜΗΝ επιτρέψετε το  
βαθμό άνεσης ή εξοικείωσης με το προϊόν (λόγω  
επανεπιληψμένης χρήσης) να αντικαταστήσει την  
αυστηρή τήρηση των κανόνων ασφαλείας του  
παρόντος εργαλείου. Η **ΛΑΝΘΑΣΜΕΝΗ ΧΡΗΣΗ** ή  
η αμέλεια να ακολουθήσετε τους κανόνες ασφάλ-  
ειας που διατυπώνονται στο παρόν χειρیدیο  
οδηγιών μπορεί να προκαλέσει σοβαρό προσω-  
πικό τραυματισμό.

## Σημαντικές οδηγίες ασφαλείας για κασέτα μπαταριών

1. Πριν χρησιμοποιήσετε την κασέτα μπαταριών,  
διαβάστε όλες τις οδηγίες και σημειώσεις  
προφύλαξης (1) στον φορτιστή μπαταριών, (2)  
στην μπαταρία και (3) στο προϊόν που χρησι-  
μοποιεί την μπαταρία.
2. Μην αποσυναρμολογήσετε ή παραβιάσετε την  
κασέτα μπαταριών. Μπορεί να έχει ως αποτέλε-  
σμα πυρκαγιά, υπερθέρμανση ή έκρηξη.
3. Εάν ο χρόνος λειτουργίας έχει γίνει

- υπερβολικά βραχύς, σταματήστε τη λειτουργία αμέσως. Αλλιώς, μπορεί να έχει ως αποτέλεσμα κίνδυνο υπερθέρμανσης, πιθανά εγκαύματα ή ακόμη και έκρηξη.
- Εάν ηλεκτρολύτης μπει στα μάτια σας, ξεπλύνετέ τα με καθαρό νερό και ζητήστε ιατρική φροντίδα αμέσως. Αλλιώς, μπορεί να έχει ως αποτέλεσμα απώλεια της όρασης σας.
  - Μη βραχυκυκλώνετε την κασέτα μπαταριών:**
    - Μην αγγίζετε τους πόλους με οτιδήποτε αγώγιμο υλικό.
    - Αποφύγετε να αποθηκεύετε την κασέτα μπαταριών μέσα σε ένα δοχείο μαζί με άλλα μεταλλικά αντικείμενα όπως καρφιά, νομίσματα, κλπ.
    - Μην εκθέτετε την κασέτα μπαταριών στο νερό ή στη βροχή.

Ένα βραχυκύκλωμα μπαταρίας μπορεί να προκαλέσει μεγάλη ροή ρεύματος, υπερθέρμανση, πιθανά εγκαύματα ακόμη και σοβαρή βλάβη.
  - Μην αποθηκεύετε και μην χρησιμοποιείτε το εργαλείο και την κασέτα μπαταριών σε τοποθεσίες όπου η θερμοκρασία μπορεί να φτάσει ή να ξεπεράσει τους 50 °C.
  - Μην καίτε την κασέτα μπαταριών ακόμη και εάν έχει σοβαρή ζημιά ή είναι εντελώς φθαρμένη. Η κασέτα μπαταριών μπορεί να εκραγεί στη φωτιά.
  - Μην καρφώσετε, κόψετε, συνθλίψετε, πετάξετε ή ρίξετε κάτω την κασέτα μπαταριών, ούτε να χτυπήσετε ένα σκληρό αντικείμενο επάνω στην κασέτα μπαταριών. Τέτοια συμπεριφορά μπορεί να έχει ως αποτέλεσμα πυρκαγιά, υπερθέρμανση ή έκρηξη.
  - Μη χρησιμοποιείτε μπαταρία που έχει υποστεί ζημιά.
  - Οι μπαταρίες ιόντων λιθίου που περιέχονται υπόκεινται στις απαιτήσεις της νομοθεσίας για επικίνδυνα αγαθά.  
Για εμπορικές μεταφορές, για παράδειγμα από τρίτα μέρη, πρέπει να τηρούνται οι διαμεταφορικές, οι ειδικές απαιτήσεις στη συσκευασία και η επισήμανση.  
Για προετοιμασία του στοιχείου που αποστέλλεται, είναι απαραίτητο να συμβουλευτείτε έναν ειδικό για επικίνδυνα υλικά. Επίσης, τηρήστε τους πιθανούς, πιο αναλυτικούς εθνικούς κανονισμούς. Καλύψτε με αυτοκόλλητη ταινία ή κρύψτε τις ανοικτές επαφές και συσκευάστε την μπαταρία με τρόπο που να μην μπορεί να μετακινείται μέσα στη συσκευασία.
  - Όταν απορρίψετε την κασέτα μπαταριών, αφαιρέστε την από το εργαλείο και διαθέστε την σε ένα ασφαλές μέρος. Τηρήστε τους τοπικούς κανονισμούς που σχετίζονται με τη διάθεση της μπαταρίας.
  - Χρησιμοποιήστε τις μπαταρίες μόνο με τα προϊόντα που καθορίζει η Makita. Αν τοποθετήσετε τις μπαταρίες σε μη συμβατά προϊόντα μπορεί να έχει ως αποτέλεσμα πυρκαγιά, υπερβολική θερμότητα, έκρηξη ή διαρροή ηλεκτρολύτη.
  - Αν δεν χρησιμοποιείτε το εργαλείο για μεγάλο χρονικό διάστημα, πρέπει να βγάλετε την μπαταρία από το εργαλείο.

- Κατά τη διάρκεια και μετά τη χρήση, η κασέτα μπαταριών μπορεί να θερμανθεί, γεγονός που μπορεί να προκαλέσει εγκαύματα ή εγκαύματα από χαμηλή θερμοκρασία. Προσέχετε το χειρισμό των ζεστών κασετών μπαταριών.
- Μην αγγίζετε τον ακροδέκτη του εργαλείου αμέσως μετά τη χρήση επειδή μπορεί να έχει ζεσταθεί αρκετά για να προκαλέσει εγκαύματα.
- Μην αφήνετε θραύσματα, σκόνη ή βρομιά να κολλήσει στους ακροδέκτες, τις σπές και τις εγκοπές της κασέτας μπαταριών. Μπορεί να προκαλέσει θέρμανση, φωτιά, έκρηξη και δυσλειτουργία του εργαλείου ή της κασέτας μπαταριών, έχοντας ως αποτέλεσμα εγκαύματα ή προσωπικό τραυματισμό.
- Εκτός αν το εργαλείο υποστηρίζει τη χρήση κοντά σε ηλεκτρικές γραμμές υψηλής τάσης, μην χρησιμοποιείτε την κασέτα μπαταριών κοντά σε ηλεκτρικές γραμμές υψηλής τάσης. Μπορεί να έχει ως αποτέλεσμα δυσλειτουργία ή σπασίμο του εργαλείου ή της κασέτας μπαταριών.
- ΚρΦυλάξτε την μπαταρία μακριά από παιδιά.

## ΦΥΛΑΞΤΕ ΤΙΣ ΟΔΗΓΙΕΣ ΑΥΤΕΣ.

**▲ΠΡΟΣΟΧΗ:** Να χρησιμοποιείτε μόνο γνήσιες μπαταρίες της Makita. Η χρήση μη γνήσιων μπαταριών Makita, ή μπαταριών που έχουν τροποποιηθεί, μπορεί να έχει ως αποτέλεσμα τη ρήξη της μπαταρίας, προκαλώντας πυρκαγιά, προσωπικό τραυματισμό και βλάβη. Επίσης, θα ακυρωθεί η εγγύηση της Makita για το εργαλείο και φορτιστή Makita.

## Συμβουλές για τη διατήρηση της μέγιστης ζωής μπαταρίας

- Φορτίζετε την κασέτα μπαταριών πριν από την πλήρη αποφόρτισή της. Πάντοτε να σταματάτε τη λειτουργία του εργαλείου και να φορτίζετε την κασέτα μπαταριών όταν παρατηρείτε μειωμένη ισχύ εργαλείου.
- Ποτέ μην επαναφορτίζετε μια πλήρως φορτισμένη κασέτα μπαταριών. Η υπερφόρτιση μειώνει την ωφέλιμη ζωή της μπαταρίας.
- Να φορτίζετε την κασέτα μπαταριών σε θερμοκρασία δωματίου, δηλαδή στους 10 °C έως 40 °C. Αφήστε μια θερμή κασέτα μπαταριών να κρυώσει πριν την φορτίσετε.
- Όταν δεν χρησιμοποιείτε την κασέτα μπαταριών, αφαιρέστε την από το εργαλείο ή τον φορτιστή.
- Να φορτίζετε την κασέτα μπαταριών εάν δεν τη χρησιμοποιείτε για μεγάλη χρονική περίοδο (περισσότερο από έξι μήνες).

## ΠΕΡΙΓΡΑΦΗ ΕΞΑΡΤΗΜΑΤΩΝ

- **Εικ.1:** 1. Μονάδα κεφαλής 2. Πλωτήρας 3. Κλωβός πλωτήρα 4. Υφασμάτινο φίλτρο 5. Δεξαμενή

# ΠΕΡΙΓΡΑΦΗ ΛΕΙΤΟΥΡΓΙΑΣ

**▲ΠΡΟΣΟΧΗ:** Να φροντίζετε πάντα για την απενεργοποίηση της συσκευής και την αφαίρεση των κασετών μπαταριών, πριν από οποιαδήποτε ρύθμιση ή έλεγχο της λειτουργίας της συσκευής.

## Τοποθέτηση ή αφαίρεση της κασέτας μπαταριών

**▲ΠΡΟΣΟΧΗ:** Να απενεργοποιείτε πάντα τη συσκευή πριν τοποθετείτε ή αφαιρέσετε τις κασέτες μπαταριών.

**▲ΠΡΟΣΟΧΗ:** Κρατήστε τη σκούπα και τις κασέτες μπαταριών σταθερά κατά την τοποθέτηση ή αφαίρεση των κασετών μπαταριών. Αν δεν το κάνετε αυτό, μπορεί να γλιστρήσουν από τα χέρια σας, έχοντας ως αποτέλεσμα ζημιά στη σκούπα και τις κασέτες μπαταριών ή προσωπικό τραυματισμό.

**▲ΠΡΟΣΟΧΗ:** Προσέχετε να μην πιάσετε τα δάχτυλά σας όταν ανοίγετε ή κλείνετε το κάλυμμα μπαταριών. Αν δεν το κάνετε αυτό, μπορεί να προκληθεί ατομικός τραυματισμός.

Η σκούπα διαθέτει υποδοχές για δύο μπαταρίες. Με δύο όμοιες μπαταρίες συνδεδεμένες παράλληλα, μπορείτε να παρατείνετε τον χρόνο λειτουργίας σε μία ή περισσότερες χρήσεις χωρίς να πρέπει να διακοψετε για να επαναφορτίσετε τις μπαταρίες. Η σκούπα επίσης λειτουργεί με μία μπαταρία, για να μπορείτε να επιλέγετε είτε δύο μπαταρίες είτε μία μπαταρία ανάλογα με τις ανάγκες σας.

► **Εικ.2:** 1. Αριστερή υποδοχή μπαταρίας 2. Δεξιά υποδοχή μπαταρίας

### Με δύο μπαταρίες

Η συνεχής λειτουργία με δύο μπαταρίες επιτρέπει μεγαλύτερο χρόνο λειτουργίας και πιο αποδοτικό καθαρισμό. Όταν η πρώτη μπαταρία αρχίζει να αδειάζει, η σκούπα αυτόματα αλλάζει την πηγή τροφοδοσίας, για να συνεχίσει να λειτουργεί με τη δεύτερη μπαταρία.

**ΠΑΡΑΤΗΡΗΣΗ:** Η αριστερή υποδοχή μπαταρίας (όταν κοπτήε την πρόσωση της σκούπας) έχει προτεραιότητα σε σχέση με τη δεξιά υποδοχή μπαταρίας. Η δεξιά υποδοχή μπαταρίας θα αναγνωριστεί ως πηγή τροφοδοσίας μόνο όταν δεν έχει τοποθετηθεί μπαταρία στην αριστερή υποδοχή μπαταρίας ή η μπαταρία στην αριστερή υποδοχή μπαταρίας αδειάσει.

**ΠΑΡΑΤΗΡΗΣΗ:** Μπορείτε να αφαιρέσετε την μπαταρία από την αριστερή υποδοχή μπαταρίας και να την επαναφορτίσετε αφού η σκούπα έχει αλλάξει την πηγή τροφοδοσίας από την αριστερή υποδοχή μπαταρίας στη δεξιά χωρίς να διακοπεί η λειτουργία. Για να δώσετε προτεραιότητα ξανά στην αριστερή υποδοχή μπαταρίας αφού τοποθετήσετε μια επαναφορτισμένη μπαταρία, επανεκκινήστε τη σκούπα.

### Με μία μπαταρία

Απαιτείται μόνο μία μπαταρία ως πηγή τροφοδοσίας είτε στην αριστερή είτε στη δεξιά υποδοχή μπαταρίας. Η σκούπα καθορίζει αυτόματα την υποδοχή

μπαταρίας που είναι διαθέσιμη ανάλογα με τις συνθήκες λειτουργίας.

### Τοποθέτηση και αφαίρεση

Για να τοποθετήσετε τις κασέτες μπαταριών, απελευθερώστε πρώτα το κλειδώμα και ανοίξτε το κάλυμμα μπαταριών. Μετά, τοποθετήστε τις κασέτες μπαταριών.

► **Εικ.3:** 1. Κλειδώμα 2. Κάλυμμα μπαταριών

Ευθυγραμμίστε τις γλωττίδες στις κασέτες μπαταριών με τις εγκοπές στο περιβλήμα μπαταρίας και σύρετέ τις στη θέση τους. Να τις εισαγάγετε μέχρι τέρμα ώστε να ασφαλισουν στη θέση τους, γεγονός που υποδεικνύεται με ένα χαρακτηριστικό ήχο.

Στη συνέχεια, ασφαλίστε το κάλυμμα μπαταριών.

► **Εικ.4:** 1. Κασέτα μπαταρίας 2. Κουμπί

Για να αφαιρέσετε τις κασέτες μπαταριών, σύρετέ τις εκτός του περιβλήματος μπαταρίας ενώ πατάτε παρατεταμένα τα κουμπιά μπροστά από τις κασέτες.

**▲ΠΡΟΣΟΧΗ:** Να τοποθετείτε πάντα την κασέτα μπαταριών πλήρως. Σε αντίθετη περίπτωση, μπορεί να πέσει κατά λάθος από τη συσκευή, προκαλώντας τραυματισμό σε εσάς ή κάποιον παρευρισκόμενο.













**▲ΠΡΟΣΟΧΗ:** Μην τοποθετείτε την κασέτα μπαταριών με βία. Εάν η κασέτα δεν ολισθαίνει με ευκολία, τότε δεν έχει τοποθετηθεί κατάλληλα.



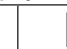
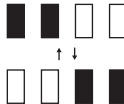
**ΠΑΡΑΤΗΡΗΣΗ:** Όταν η σκούπα αλλάξει την πηγή τροφοδοσίας από την πρώτη μπαταρία στη δεύτερη, μπορεί να απαιτήσει μια προσωρινή διακοπή των εργασιών, προκαλώντας μια μικρή απώλεια της αναρρόφησης. Να γνωρίζετε ότι αυτό δεν είναι δυσλειτουργία, επειδή η σκούπα αποκαθίσταται και συνεχίζει τις εργασίες αμέσως μετά την παύση.

## Εμφάνιση υπολειπόμενης χωρητικότητας μπαταρίας

Πιάστε το κουμπί ελέγχου στην κασέτα μπαταριών για να υποδείξετε την υπολειπόμενη χωρητικότητα μπαταρίας. Οι ενδεικτικές λυχνίες ανάβουν για λίγα δευτερόλεπτα.

► **Εικ.5:** 1. Ενδεικτικές λυχνίες 2. Κουμπί ελέγχου

Ενδεικτικές λυχνίες			Υπολειπόμενη χωρητικότητα
 Αναμμένες	 Σβηστές	 Αναβοσβήνουν	
			75% έως 100%
			50% έως 75%
			25% έως 50%
			0% έως 25%
			Φορτίστε την μπαταρία.

Ενδεικτικές Λυχνίες			Υπολει- πόμνη χωρητικότητα
 Αναμμένες	 Σβηστές	 Αναβο- σβήνουν	
			Μπορεί να προέκυψε δυσλειτουργία στην μπαταρία.

**ΠΑΡΑΤΗΡΗΣΗ:** Ανάλογα με τις συνθήκες χρήσης και τη θερμοκρασία περιβάλλοντος, η ένδειξη μπορεί να διαφέρει λίγο από την πραγματική χωρητικότητα.


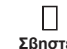






**ΠΑΡΑΤΗΡΗΣΗ:** Η πρώτη (τέρμα αριστερά) ενδεικτική λυχνία θα αναβοσβήνει όταν λειτουργεί το σύστημα προστασίας μπαταρίας.

## Ενδείξεις μπαταριών στον πίνακα ελέγχου

Μπορείτε να διαβάσετε την υπολειπόμνη χωρητικότητα μπαταρίας στον πίνακα ελέγχου ανά πάσα στιγμή. Πατήστε το κουμπί ελέγχου για να εμφανίσει η αριστερή και δεξιά ένδειξη το επίπεδο φόρτισης μπαταριών αντίστοιχα.

► **Εικ.6:** 1. Ενδείξεις μπαταριών 2. Κουμπί ελέγχου

► **Εικ.7**

Κατάσταση ένδειξης μπαταρίας			Υπολειπό- μνη χωρη- τικότητα μπαταρίας
 Αναμμένες	 Σβηστές	 Αναβο- σβήνουν	
			50% έως 100%
			20% έως 50%
			0% έως 20%
			Φορτίστε την μπαταρία
			Δεν έχει εισαχθεί μπαταρία

**ΠΑΡΑΤΗΡΗΣΗ:** Οι ενδείξεις μπαταριών θα ενεργοποιηθούν και όταν η σκούπα αρχίσει να λειτουργεί ή αλλάξει την πηγή τροφοδοσίας από τη μία μπαταρία στην άλλη.

## Σύστημα προστασίας της συσκευής / μπαταρίας

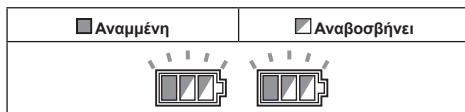
Η συσκευή είναι εξοπλισμένη με σύστημα προστασίας της συσκευής/μπαταρίας. Αυτό το σύστημα αποκόπτει αυτόματα την ισχύ προς το μοτέρ για να παραταθεί η διάρκεια λειτουργίας της συσκευής και της μπαταρίας.

Η συσκευή σταματάει αυτόματα κατά τη διάρκεια της λειτουργίας αν η συσκευή ή η μπαταρία βρεθούν κάτω από τις παρακάτω συνθήκες:

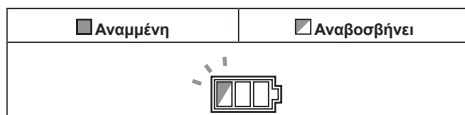
## Προστασία υπερφόρτωσης

Όταν η συσκευή/μπαταρία λειτουργεί με τρόπο ώστε να αναγκάζεται να καταναλώνει ασυνήθιστα υψηλό ρεύμα, η συσκευή σταματάει αυτόματα. Σε αυτή την κατάσταση, απενεργοποιήστε τη συσκευή και διακόψτε την εφαρμογή που προκαλεί την υπερφόρτωση. Μετά, ενεργοποιήστε τη συσκευή για επανεκκίνηση.

## Προστασία υπερθέρμανσης



Όταν η συσκευή υπερθερμανθεί, η συσκευή σταματάει αυτόματα και η αριστερή και δεξιά ένδειξη μπαταριών αναβοσβήνουν. Σε αυτή την κατάσταση, αφήστε τη συσκευή να ψυχθεί πριν ενεργοποιήσετε ξανά τη συσκευή.



Όταν η μπαταρία υπερθερμανθεί, η συσκευή σταματάει αυτόματα και η μία ένδειξη για την υπερθερμασμένη μπαταρία αναβοσβήνει. Σε αυτή την κατάσταση, αφήστε την μπαταρία να ψυχθεί πριν ενεργοποιήσετε ξανά τη συσκευή.

## Προστασία υπερβολικής αποφόρτισης

Όταν μειωθεί πολύ η χωρητικότητα μπαταρίας, η συσκευή σταματάει αυτόματα. Αν η συσκευή δεν λειτουργεί σε συμφωνία με τη λειτουργία του διακόπτη, αφαιρέστε τις μπαταρίες από τη συσκευή και επαναφορτίστε τις.

## Προστασία και από άλλες αιτίες

Το σύστημα προστασίας έχει επίσης σχεδιαστεί για άλλες αιτίες που μπορούν να προκαλέσουν ζημιά στη συσκευή και επιτρέπει την αυτόματη διακοπή της συσκευής. Λάβετε όλα τα ακόλουθα βήματα για να διορθώσετε τις αιτίες, όταν η συσκευή τεθεί σε προσωρινή διακοπή ή διακοπή κατά τη διάρκεια της λειτουργίας.

1. Απενεργοποιήστε τη συσκευή και, στη συνέχεια, ενεργοποιήστε την ξανά για να επανεκκινήσει.
2. Φορτίστε την μπαταρία ή τις μπαταρίες ή αντικαταστήστε τις με επαναφορτιζόμενες μπαταρίες.
3. Αφήστε τη συσκευή και τις μπαταρίες να ψυχθούν.

Αν δεν υπάρχει βελτίωση με την επαναφορά του συστήματος προστασίας, επικοινωνήστε με το τοπικό σας κέντρο εξυπηρέτησης της Makita.

## Δράση διακόπτη

### Ενεργοποίηση σκούπας

1. Θέστε τον διακόπτη αναμονής στη θέση «I» (ON)

για να έχετε τη σκούπα έτοιμη σε τρόπο λειτουργίας αναμονής.

2. Πατήστε το κουμπί λειτουργίας.  
Για μετάβαση ξανά σε κατάσταση αναμονής, πατήστε ξανά το κουμπί λειτουργίας.

### Απενεργοποίηση σκούπας

Εκτελέστε ένα από τα ακόλουθα βήματα.

- Πατήστε το κουμπί λειτουργίας για να θέσετε ξανά τη σκούπα στον τρόπο λειτουργίας αναμονής και, στη συνέχεια, θέστε τον διακόπτη αναμονής στη θέση «Ο» (OFF).
- Θέστε τον διακόπτη αναμονής στη θέση «Ο» (OFF).

### Ρύθμιση ισχύος αναρρόφησης

Η ισχύς αναρρόφησης μπορεί να ρυθμιστεί ανάλογα με την απαιτούμενη εργασία.

- Περιστρέψτε το κουμπί ρύθμισης δύναμης αναρρόφησης προς τα αριστερά για να μειώσετε την ισχύ αναρρόφησης.
- Περιστρέψτε το κουμπί ρύθμισης δύναμης αναρρόφησης προς τα δεξιά για να αυξήσετε την ισχύ αναρρόφησης.

- **Εικ.8:** 1. Διακόπτης αναμονής 2. Κουμπί λειτουργίας 3. Κουμπί ρύθμισης δύναμης αναρρόφησης

## Αυτόματη διακοπή αναρρόφησης κατά τη λειτουργία υγρής αναρρόφησης

**⚠ ΠΡΟΕΙΔΟΠΟΙΗΣΗ:** Μη χρησιμοποιείτε για πολύ χρόνο ενώ ο πλωτήρας βρίσκεται σε λειτουργία. Αν χρησιμοποιήσετε τη σκούπα με τον πλωτήρα σε λειτουργία για πολύ χρόνο, μπορεί να προκληθεί υπερθέρμανση, έχοντας ως αποτέλεσμα την παραμόρφωση της σκούπας.

**⚠ ΠΡΟΕΙΔΟΠΟΙΗΣΗ:** Μην συλλέγετε αφρό ή σπαινωδές υγρό. Μπορεί να εξέλθει αφρός από την έξοδο αέρα πριν λειτουργήσει ο πλωτήρας. Η συνεχής χρήση σε τέτοιες συνθήκες μπορεί να προκαλέσει ηλεκτροπληξία και καταστροφή της σκούπας.

Η λειτουργία αυτόματης διακοπής αναρρόφησης είναι ενεργή μόνο όταν η σκούπα χρησιμοποιείται με τον πλωτήρα και τον κλωβό πλωτήρα.

Η σκούπα διαθέτει ένα μηχανισμό πλωτήρα που εμποδίζει την είσοδο του νερού στο μοτέρ κατά τη συλλογή μιας ορισμένης ποσότητας νερού και άνω. Όταν η δεξαμενή είναι γεμάτη και η σκούπα δεν συλλέγει πλέον νερό, σβήστε τη σκούπα και αδειάστε τη δεξαμενή.

## Ασφάλιση και απασφάλιση τροχίσκων

Οι πίσω τροχίσκοι μπορούν να ασφαλιστούν με αναστολές για να μπορεί η σκούπα να παραμείνει ακίνητη. Χαμηλώστε τον μοχλό αναστολάς με το χέρι για να ασφαλίσετε τον τροχίσκο και σηκώστε τον για απελευθέρωση.

- **Εικ.9:** 1. Τροχίσκος 2. Μοχλός αναστολάς 3. ΕΛΕΥΘΕΡΗ θέση 4. ΚΛΕΙΔΩΜΕΝΗ θέση

**ΠΑΡΑΤΗΡΗΣΗ:** Όταν μετακινείτε τη σκούπα, βεβαιωθείτε ότι ο τροχίσκος είναι ξεκλειδωτός. Αν μετακινήσετε τη σκούπα με τον τροχίσκο σε κλειδωμένη θέση, μπορεί να προκληθεί ζημιά στον τροχίσκο.

## Λαβή μεταφοράς

**⚠ ΠΡΟΣΟΧΗ:** Σηκώστε και μεταφέρετε τη συσκευή με προσοχή. Αν δεν το κάνετε αυτό, μπορεί να έχει ως αποτέλεσμα προσωπικό τραυματισμό ή ζημιά στη συσκευή.

Όταν μεταφέρετε τη σκούπα, να την κρατάτε από τη λαβή στη μονάδα κεφαλής. Η λαβή είναι ανασυρόμενη στη μονάδα κεφαλής όταν δεν χρησιμοποιείται.

- **Εικ.10**

## ΣΥΝΑΡΜΟΛΟΓΗΣΗ

**⚠ ΠΡΟΣΟΧΗ:** Να βεβαιώνεστε πάντα ότι η συσκευή είναι απενεργοποιημένη και οι κασέτες μπαταριών έχουν αφαιρεθεί πριν εκτελέσετε οποιαδήποτε εργασία στη συσκευή.

**⚠ ΠΡΟΣΟΧΗ:** Να φοράτε πάντα μάσκα σκόνης κατά τη συναρμολόγηση ή συντήρηση.

## Τοποθέτηση του φίλτρου πούδρας (HEPA) και προφίλτρου (για ξηρή σκόνη)

### Προαιρετικό εξάρτημα

**⚠ ΠΡΟΣΟΧΗ:** Μη συλλέγετε ποτέ νερό ή άλλα υγρά ή υγρή σκόνη όταν χρησιμοποιείτε το φίλτρο πούδρας. Η συλλογή τέτοιων υλικών μπορεί να προκαλέσει την καταστροφή του φίλτρου πούδρας.

Για τη χρήση του φίλτρου πούδρας:

1. Χαλαρώστε τις βίδες που ασφαλίζουν τον κλωβό πλωτήρα και, στη συνέχεια, αφαιρέστε τις βίδες, τον κλωβό πλωτήρα και τον πλωτήρα από τη μονάδα κεφαλής.

- **Εικ.11:** 1. Βίδα 2. Κλωβός πλωτήρα 3. Πλωτήρας 4. Μονάδα κεφαλής

2. Αφαιρέστε το υφασμάτινο φίλτρο από τη δεξαμενή.

- **Εικ.12:** 1. Υφασμάτινο φίλτρο 2. Δεξαμενή

3. Τοποθετήστε το προφίλτρο στη δεξαμενή ευθυγραμμίζοντας τις ενδείξεις θέσης στήριξης στο προφίλτρο και τη δεξαμενή.

4. Τοποθετήστε τον αποσβεστήρα στο προφίλτρο και, στη συνέχεια, τοποθετήστε το φίλτρο πούδρας πάνω από τον αποσβεστήρα, ευθυγραμμίζοντας τις ενδείξεις θέσης στήριξης στο φίλτρο πούδρας και το προφίλτρο.

5. Στερεώστε τη μονάδα κεφαλής πάνω από τη δεξαμενή και ασφαλίστε τα με τα μάνδαλα ασφάλισης.

- **Εικ.13:** 1. Μονάδα κεφαλής 2. Φίλτρο πούδρας



(HEPA) 3. Αποσβεστήρας 4. Προφίλτρο  
5. Δεξαμενή 6. Ένδειξη θέσης στήριξης

**ΕΙΔΟΠΟΙΗΣΗ:** Πριν χρησιμοποιήσετε το φίλτρο πούδρας, βεβαιωθείτε ότι το προφίλτρο και ο αποσβεστήρας χρησιμοποιούνται πάντα μαζί. Δεν επιτρέπεται η τοποθέτηση του φίλτρου πούδρας μόνο του.

## Τοποθέτηση του φίλτρου νερού

### Προαιρετικό εξάρτημα

**ΕΙΔΟΠΟΙΗΣΗ:** Μη συλλέγετε ποτέ νερό ή υγρή σκόνη χωρίς τον πλωτήρα και το υφασμάτινο φίλτρο ή το φίλτρο νερού.

**ΕΙΔΟΠΟΙΗΣΗ:** Για τη συλλογή υγρής σκόνης, βεβαιωθείτε ότι ο κλωβός πλωτήρα και ο πλωτήρας είναι τοποθετημένοι στη σκούπα.

**ΕΙΔΟΠΟΙΗΣΗ:** Όταν τοποθετείτε το φίλτρο νερού στη δεξαμενή, τοποθετήστε το σφικτά στο άνοιγμα της δεξαμενής με τρόπο ώστε ο γάντζος στο φίλτρο νερού να δεσμεύει σταθερά το άνοιγμα δεξαμενής και να μην υπάρχει χώρος μεταξύ του φίλτρου νερού και της δεξαμενής.

Για να συλλέξετε το νερό ή την υγρή σκόνη μόνο, το φίλτρο νερού είναι πιο κατάλληλο από το υφασμάτινο φίλτρο.

Όταν τοποθετείτε το φίλτρο νερού, ευθυγραμμίστε την ένδειξη θέσης στήριξης με αυτή στη δεξαμενή.

► **Εικ.14:** 1. Φίλτρο νερού 2. Δεξαμενή 3. Ένδειξη θέσης στήριξης

**ΠΑΡΑΤΗΡΗΣΗ:** Συνιστάται να χρησιμοποιήσετε το φίλτρο νερού όταν συλλέγετε επανειλημμένα μεγάλες ποσότητες νερού. Διαφορετικά, η ικανότητα αναρρόφησης μπορεί να μειωθεί στην περίπτωση υφασμάτινου φίλτρου.

## Τοποθέτηση του χάρτινου πακέτου

### Προαιρετικό εξάρτημα

**ΠΡΟΕΙΔΟΠΟΙΗΣΗ:** Πριν χρησιμοποιήσετε το χάρτινο πακέτο, βεβαιωθείτε ότι το υφασμάτινο φίλτρο ή το προφίλτρο χρησιμοποιούνται μαζί. Αν δεν χρησιμοποιήσετε μαζί το υφασμάτινο φίλτρο / προφίλτρο, μπορεί να προκληθεί ασυνήθιστος θόρυβος και θερμότητα, έχοντας ως αποτέλεσμα την πυρκαγιά.

**ΕΙΔΟΠΟΙΗΣΗ:** Μη συλλέγετε ποτέ νερό ή άλλα υγρά ή υγρή σκόνη όταν χρησιμοποιείτε το χάρτινο πακέτο. Η συλλογή τέτοιων υλικών μπορεί να προκαλέσει την καταστροφή του χάρτινου πακέτου.

**ΕΙΔΟΠΟΙΗΣΗ:** Όταν χρησιμοποιείτε το υφασμάτινο φίλτρο, βεβαιωθείτε ότι ο πλωτήρας και ο κλωβός πλωτήρα είναι συνδεδεμένοι με τη μονάδα κεφαλής.

**ΕΙΔΟΠΟΙΗΣΗ:** Όταν χρησιμοποιείτε το προφίλτρο, βεβαιωθείτε ότι το φίλτρο πούδρας και ο αποσβεστήρας χρησιμοποιούνται μαζί.

1. Ξεδιπλώστε το χάρτινο πακέτο.
2. Ευθυγραμμίστε το άνοιγμα του χάρτινου πακέτου

με την είσοδο σκόνης της δεξαμενής.

3. Τοποθετήστε το χάρτινο πακέτο στη δεξαμενή με το άνοιγμα χαρτονιού αγκιστρωμένο στον υποδοχέα χάρτινου πακέτου.

► **Εικ.15:** 1. Χάρτινο πακέτο 2. Άνοιγμα χαρτονιού

3. Υποδοχέας χάρτινου πακέτου 4. Είσοδος σκόνης

## Τοποθέτηση της πολυαιθυλενικής σακούλας

Όταν μια πολυαιθυλενική σακούλα είναι τοποθετημένη στη δεξαμενή, μπορείτε να αδειάζετε εύκολα τη δεξαμενή χωρίς να βρομίζετε τα χέρια σας.

Απλώστε την πολυαιθυλενική σακούλα πάνω από τη δεξαμενή και σύρετε τη μία πλευρά του άνω άκρου της σακούλας στο ανοικτό άκρο της, μεταξύ της πλάκας υποδοχέα και του μπροστινού τοιχώματος της δεξαμενής.

► **Εικ.16:** 1. Πλάκα υποδοχέα 2. Μπροστινό τοίχωμα της δεξαμενής 3. Πολυαιθυλενική σακούλα

Απλώστε τα άλλα άνω άκρα της σακούλας προς τα έξω, πάνω από το άνω χείλος της δεξαμενής. Τοποθετήστε το υφασμάτινο φίλτρο ή το προφίλτρο πάνω από την πολυαιθυλενική σακούλα για να στερεώσετε το άνοιγμα της σακούλας με ασφάλεια.

► **Εικ.17:** 1. Υφασμάτινο φίλτρο / προφίλτρο

**ΠΑΡΑΤΗΡΗΣΗ:** Μπορεί να χρησιμοποιηθεί πολυαιθυλενική σακούλα που διατίθεται στην αγορά. Συνιστάται ένας με πάχος 0,04 mm ή μεγαλύτερο.

**ΠΑΡΑΤΗΡΗΣΗ:** Η πολλή σκόνη θα σκίσει τη σακούλα με ευκολία, για το λόγο αυτό μη συλλέγετε περισσότερη σκόνη από τη μισή χωρητικότητα της σακούλας.

## Άδειασμα δεξαμενής με πολυαιθυλενική σακούλα

**ΠΡΟΕΙΔΟΠΟΙΗΣΗ:** Να βεβαιώνετε πάντα ότι η σκούπα είναι απενεργοποιημένη και οι κασέτες μπαταριών έχουν αφαιρεθεί πριν αδειάσετε τη δεξαμενή. Αν δεν το κάνετε αυτό, μπορεί να προκληθεί ηλεκτροπληξία και σοβαρός ατομικός τραυματισμός.

**ΕΙΔΟΠΟΙΗΣΗ:** Μη ασκείτε μεγάλη δύναμη στον κλωβό πλωτήρα και τη δεξαμενή. Αν ασκήσετε μεγάλη δύναμη, μπορεί να προκληθεί παραμόρφωση και ζημία στα εξαρτήματα.

**ΕΙΔΟΠΟΙΗΣΗ:** Να αδειάζετε τη δεξαμενή τουλάχιστον μία φορά την ημέρα, αν και αυτό εξαρτάται από τον όγκο της σκόνης που έχετε συλλέξει στη δεξαμενή. Διαφορετικά, η ισχύς αναρρόφησης θα μειωθεί και το μοτέρ θα σπάσει.

**ΕΙΔΟΠΟΙΗΣΗ:** Μη αρπάζετε τους γάντζους ή μάνδαλα όταν αδειάζετε τη δεξαμενή. Αν αρπάξετε τα άγκιστρα ή τα μάνδαλα, μπορεί να σπάσουν.

Αποδεσμεύστε τα μάνδαλα ασφάλισης και σηκώστε και αφαιρέστε τη μονάδα κεφαλής από τη δεξαμενή.

Κουνήστε το υφασμάτινο φίλτρο ή το προφίλτρο για να αφαιρέσετε τη σκόνη πριν σηκώσετε και αφαιρέσετε το φίλτρο από τη δεξαμενή.

Στη συνέχεια, αφαιρέστε την πολυαιθυλενική σακούλα από τη δεξαμενή, κλείνοντας το άνοιγμα της σακούλας με το χέρι.

► **Εικ.18:** 1. Πολυαιθυλενική σακούλα 2. Δεξαμενή

**ΠΑΡΑΤΗΡΗΣΗ:** Βγάλτε προσεκτικά την πολυαιθυλενική σακούλα από τη δεξαμενή για να μην γρατσουνιστεί και σκιστεί από τα άκρα μέσα στη δεξαμενή.

**ΠΑΡΑΤΗΡΗΣΗ:** Αδειάστε την πολυαιθυλενική σακούλα πριν γεμίσει. Η πολλή σκόνη στη δεξαμενή μπορεί να προκαλέσει το σκίσιμο της πολυαιθυλενικής σακούλας.

## Τοποθέτηση πολλαπλού άγκιστρου

Χρησιμοποιήστε το πολλαπλό άγκιστρο για τη συγκράτηση εύκαμπτου σωλήνα, εξαρτημάτων και προσαρτημάτων που δεν χρησιμοποιούνται, για να μπορείτε να τα βγάξετε γρήγορα ανάλογα με τις προτιμήσεις σας.

► **Εικ.19**

Τοποθετήστε το πολλαπλό άγκιστρο πάνω από τη βάση στερέωσης στο πίσω μέρος της σκούπας, ρυθμίζοντας τις ράγες στο πολλαπλό άγκιστρο κατά μήκος των εγκοπών στη βάση στερέωσης.

► **Εικ.20:** 1. Πολλαπλό άγκιστρο 2. Βάση στερέωσης

## Τοποθέτηση προσαρμογέα ΜΑΚΡΑC

### Προαιρετικό εξάρτημα

Στο πάνω μέρος της σκούπας, μπορείτε να τοποθετήσετε θήκες αποθήκευσης ΜΑΚΡΑC με δυνατότητα σύνδεσης και στοιβαξης με τη βοήθεια ενός προαιρετικού προσαρμογέα. Οι θήκες είναι διαθέσιμες σε πολλά μεγέθη και στυλ, για να ταιριάζουν με τις προτιμήσεις σας.

Τοποθετήστε το άγκιστρο βάσης στερέωσης πάνω από τη λαβή της σκούπας με την επιφάνεια στερέωσης στραμμένη προς τα πάνω όταν η λαβή είναι διπλωμένη στην κλειστή θέση.

► **Εικ.21:** 1. Άγκιστρο βάσης στερέωσης 2. Επιφάνεια στερέωσης 3. Λαβή

Στερεώστε τον προσαρμογέα ΜΑΚΡΑC στο άγκιστρο βάσης στερέωσης και ασφαλίστε τα μαζί με τις τέσσερις βίδες που παρέχονται.

► **Εικ.22:** 1. Προσαρμογέας ΜΑΚΡΑC 2. Άγκιστρο βάσης στερέωσης 3. Βίδα

Σηκώστε τη ράβδο ώθησης και σφίξτε το κομβίο για να προετοιμάσετε για την τοποθέτηση των θηκών ΜΑΚΡΑC στη σκούπα.

► **Εικ.23:** 1. Ράβδος ώθησης 2. Κομβίο

**ΠΑΡΑΤΗΡΗΣΗ:** Για λεπτομέρειες σχετικά με την τοποθέτηση των θηκών ΜΑΚΡΑC, ανατρέξτε στις οδηγίες που παρέχονται με τον προσαρμογέα και τις θήκες ΜΑΚΡΑC.

## Τοποθέτηση εύκαμπτου σωλήνα

**ΕΙΔΟΠΟΙΗΣΗ:** Αποφύγετε την άσκηση καμπτικής ή συνθλιπτικής δύναμης στον εύκαμπτο σωλήνα. Μην μετακινείτε ποτέ τη σκούπα τραβώντας τον εύκαμπτο σωλήνα. Η άσκηση δύναμης, η σύνθλιψη και το τράβηγμα του εύκαμπτου σωλήνα μπορεί να προκαλέσουν σπάσιμο ή παραμόρφωση του εύκαμπτου σωλήνα.

**ΕΙΔΟΠΟΙΗΣΗ:** Όταν συλλέγετε μεγάλα απόβλητα όπως θραύσματα πλάνης, σκόνη τσιμέντου ή παρόμοια υλικά, εκτός από απόβλητα μικρού μεγέθους, να χρησιμοποιείτε τον εύκαμπτο σωλήνα με εσωτερική διάμετρο 38 mm (προαιρετικό εξάρτημα). Η χρήση εύκαμπτου σωλήνα με εσωτερική διάμετρο 28 mm (προαιρετικό εξάρτημα) μπορεί να προκαλέσει το φράξιμο και τη βλάβη του εύκαμπτου σωλήνα.

### Σύνδεση με τη σκούπα

Εισαγάγετε το άκρο του εύκαμπτου σωλήνα στην είσοδο σκόνης (είσοδος εύκαμπτου σωλήνα) της σκούπας και, στη συνέχεια, περιστρέψτε το δεξιόστροφα μέχρι να ασφαλιστεί στη θέση του.

► **Εικ.24:** 1. Εύκαμπτος σωλήνας 2. Είσοδος σκόνης (είσοδος εύκαμπτου σωλήνα)

### Συνδέσεις με τα εργαλεία εργασίας σας (Ειδικό της χώρας)

Αν συνδέσετε την ηλεκτρική σκούπα σε οποιαδήποτε διαθέσιμα εργαλεία εργασίας που είναι συμβατά με τη σκούπα, αυτή λειτουργεί ως εξαγωγέας σκόνης για τα ηλεκτρικά εργαλεία σας.

Για να συνδέσετε ένα εργαλείο με τη μηχανή, απαιτείται ο αποκλειστικός εύκαμπτος σωλήνας ή/και επιπρόσθετα εξαρτήματα. Ανάλογα με το μοντέλο μηχανής σας, πρέπει να αντικαταστήσετε τον εύκαμπτο σωλήνα ή/και να προετοιμάσετε επιπρόσθετα εξαρτήματα.

Επιλέξτε ένα από τα μπροστινά στόμια ή συνδέσμους (προαιρετικά εξαρτήματα) ως το πιο κατάλληλο για το μοντέλο του εργαλείου σας. Τοποθετήστε τα στόμια ή τον σύνδεσμο, όπως απαιτείται, μεταξύ του μπροστινού άκρου του εύκαμπτου σωλήνα της σκούπας και της θύρας εξαγωγής σκόνης του εργαλείου σας.

► **Εικ.25:** 1. Μπροστινά στόμια ή σύνδεσμος 2. Εύκαμπτος σωλήνας σκούπας 3. Ηλεκτρικό εργαλείο 4. Ηλεκτρική σκούπα

## Τοποθέτηση ή αφαίρεση των προσαρτημάτων σκούπας

**▲ ΠΡΟΣΟΧΗ:** Μετά την τοποθέτηση ενός προσαρτήματος, ελέγξτε αν έχει τοποθετηθεί σταθερά. Αν το προσάρτημα δεν τοποθετηθεί καλά, μπορεί να βγει και να προκληθεί τραυματισμός.

## Προσάρτηση διάταξης λυγισμένου σωλήνα

### Προαιρετικό εξάρτημα

**ΠΑΡΑΤΗΡΗΣΗ:** Δεν χρειάζεται να εκτελέσετε αυτή τη διαδικασία αν το μοντέλο σας παρέχεται με τη διάταξη λυγισμένου σωλήνα συνδεδεμένη με τον εύκαμπτο σωλήνα.

Η διάταξη λυγισμένου σωλήνα χρησιμοποιείται για τη σύνδεση της ράβδου προέκτασης ή του ακροφυσίου για καθαρισμό με αναρρόφηση με αυτό το προϊόν. Αν θέλετε να χρησιμοποιήσετε αυτό το προϊόν ως μηχανή αναρρόφησης, συνδέστε τη διάταξη λυγισμένου σωλήνα με τον εύκαμπτο σωλήνα.

### Για τη διάταξη λυγισμένου σωλήνα τύπου βιδώματος

Για προσάρτηση, ξεβιδώστε το μπροστινό στόμιο από τον εύκαμπτο σωλήνα και συνδέστε το χιτώνιο της διάταξης λυγισμένου σωλήνα στον εύκαμπτο σωλήνα. Για αφαίρεση, χαλαρώστε το χιτώνιο της διάταξης λυγισμένου σωλήνα από τον εύκαμπτο σωλήνα.

► **Εικ.26:** 1. Εύκαμπτος σωλήνας 2. Διάταξη λυγισμένου σωλήνα 3. Χιτώνιο

### Για τη διάταξη λυγισμένου σωλήνα ασφαλιζόμενου τύπου

Για προσάρτηση, εισαγάγετε το άκρο εύκαμπτου σωλήνα στη διάταξη λυγισμένου σωλήνα. Βεβαιωθείτε ότι οι γλωττίδες στο άκρο εύκαμπτου σωλήνα ασφαλιζούν στις οπές στη διάταξη λυγισμένου σωλήνα. Για αφαίρεση, τραβήξτε τη διάταξη λυγισμένου σωλήνα ενώ πατάτε και τις δύο γλωττίδες στο άκρο εύκαμπτου σωλήνα.

► **Εικ.27:** 1. Άκρο εύκαμπτου σωλήνα 2. Γλωττίδα 3. Οπή 4. Διάταξη λυγισμένου σωλήνα

## Όταν χρησιμοποιείτε προσάρτημα χωρίς λειτουργία ασφάλισης

### Προαιρετικό εξάρτημα

Εισαγάγετε ένα προσάρτημα στην είσοδο αναρρόφησης της σκούπας σπρώχνοντας και βιδώνοντάς το με το χέρι για να τοποθετηθεί στη θέση του.

Περιστρέψτε με το χέρι και τραβήξτε το προσάρτημα για να χωριστεί από την είσοδο αναρρόφησης μετά από τη χρήση.

► **Εικ.28**

## Προσαρτήματα με λειτουργία κλειδώματος

### Προαιρετικό εξάρτημα

**ΕΙΔΟΠΟΙΗΣΗ:** Όταν τοποθετείτε προσάρτημα με λειτουργία ασφάλισης, φροντίστε να ευθυγραμμίσετε το κουμπί απασφάλισης με τον γάντζο στο προσάρτημα. Αν δεν ευθυγραμμιστούν, το προσάρτημα δεν θα ασφαλίσει και μπορεί να βγει από τη σκούπα.

Εισαγάγετε ένα προσάρτημα στην είσοδο αναρρόφησης της σκούπας σπρώχνοντάς τα μαζί μέχρι να ακουστεί ένας χαρακτηριστικός ήχος ασφάλισης.

Για να αφαιρέσετε το προσάρτημα, τραβήξτε το για να βγει ενώ πατάτε το κουμπί απασφάλισης.

► **Εικ.29:** 1. Είσοδος αναρρόφησης με λειτουργία κλειδώματος 2. Κουμπί απασφάλισης 3. Προσάρτημα με λειτουργία κλειδώματος

**ΠΑΡΑΤΗΡΗΣΗ:** Ένα προσάρτημα με λειτουργία κλειδώματος μπορεί να τοποθετηθεί μόνο στην είσοδο αναρρόφησης με λειτουργία κλειδώματος.

► **Εικ.30:** 1. Προσάρτημα με λειτουργία κλειδώματος 2. Είσοδος αναρρόφησης με λειτουργία κλειδώματος 3. Είσοδος αναρρόφησης χωρίς λειτουργία κλειδώματος

## Συναρμολόγηση ακροφυσίου και ράβδου

### Προαιρετικό εξάρτημα

**ΠΑΡΑΤΗΡΗΣΗ:** Ο τύπος του ακροφυσίου και ράβδου που περιλαμβάνονται με το προϊόν διαφέρει ανάλογα με τη χώρα. Σε μερικές χώρες, δεν περιλαμβάνονται ακροφύσιο και ράβδος.

Περιστρέψτε και εισαγάγετε το ακροφύσιο στη ράβδο προέκτασης.

► **Εικ.31:** 1. Ράβδος προέκτασης 2. Εύκαμπτο ελαστικό ακροφύσιο 3. Ακροφύσιο γωνιών 4. Ακροφύσιο σχήματος T

**ΠΑΡΑΤΗΡΗΣΗ:** Αν περιστρέψετε το ακροφύσιο ενώ το εισαγάγετε, το ακροφύσιο μπορεί να συνδεθεί στη ράβδο προέκτασης με ασφάλεια.

**ΠΑΡΑΤΗΡΗΣΗ:** Για το μοντέλο με τον εύκαμπτο σωλήνα ø38 mm και το μπροστινό στόμιο 38, συνδέστε το παρεχόμενο ακροφύσιο με το αλουμινένιο λυγισμένο σωλήνα/αλουμινένιο ίσιο σωλήνα.

Όταν χρησιμοποιείτε το ακροφύσιο σχήματος T για αλλαγή δαπέδου/χαλιού, μπορείτε να αλλάξετε τον τρόπο λειτουργίας ανάλογα με την τοποθεσία.

- Τρόπος λειτουργίας δαπέδου: κατάλληλο για ομαλές τοποθεσίες όπως σκληρό δάπεδο
- Τρόπος λειτουργίας χαλιού: κατάλληλο για χνουδωτές τοποθεσίες, όπως χαλιά ή μοκέτες

► **Εικ.32:** 1. Κουμπί αλλαγής τρόπου λειτουργίας 2. Τρόπος λειτουργίας δαπέδου 3. Τρόπος λειτουργίας χαλιού

## Ρύθμιση των μηκών της ράβδου προέκτασης τύπου ολισθησης

### Προαιρετικό εξάρτημα

Μπορεί να συνδυαστεί μια ράβδος προέκτασης τύπου ολισθησης για πιο μικρά και μεγάλα μήκη. Επιτρέπει το καθάρισμα σε δυσπρόσιτες περιοχές και επιλογές για άνετη τοποθέτηση.

Σπρώξτε μέσα και έξω τον σωλήνα ολισθησης για να αλλάξετε το μήκος της ράβδου ενώ πατάτε παρατεταμένα το κουμπί ολισθησης.

Αφήστε το κουμπί ολισθησης για να ασφαλίσετε τον σωλήνα ολισθησης στην επιθυμητή σας θέση.

► **Εικ.33:** 1. Σωλήνας ολισθησης 2. Κουμπί ολισθησης

## ΣΥΝΤΗΡΗΣΗ

**▲ ΠΡΟΣΟΧΗ:** Πάντα να βεβαιώνεστε ότι η συσκευή είναι απενεργοποιημένη και οι κασέτες μπαταριών έχουν αφαιρεθεί πριν επιχειρήσετε να εκτελέσετε εργασίες επιθεώρησης ή συντήρησης.

**ΕΙΔΟΠΟΙΗΣΗ:** Μην χρησιμοποιείτε ποτέ βενζίνη, πετρελαϊκό αιθέρα, διαλυτικό, αλκοόλη ή παρόμοιες ουσίες. Μπορεί να προκαλέσει αποχρωματισμό, παραμόρφωση ή ρωγμές.

Για τη διατήρηση της ΑΣΦΑΛΕΙΑΣ και ΑΞΙΟΠΙΣΤΙΑΣ του προϊόντος, οι επισκευές και οποιαδήποτε άλλη εργασία συντήρησης ή ρύθμισης πρέπει να εκτελούνται από εξουσιοδοτημένα ή εργοστασιακά κέντρα εξυπηρέτησης της Makita, χρησιμοποιώντας πάντοτε ανταλλακτικά της Makita.

## Αποθήκευση των εξαρτημάτων

Τα εξαρτήματα και προσαρτήματα που δεν χρησιμοποιούνται, όπως τα ακροφύσια και οι βούρτσες, μπορούν να αγκιστρωθούν και να αποθηκευτούν στο πολλαπλό άγκιστρο στο πίσω μέρος της σκούπας.

► **Εικ.34:** 1. Πολλαπλό άγκιστρο 2. Εξαρτήματα και προσαρτήματα που δεν χρησιμοποιούνται

Οι σωλήνες (με τοποθετημένο τον προαιρετικό αναστολέα) μπορούν να τοποθετηθούν μέσα στον υποδοχέα σωλήνα όταν δεν πρόκειται να χρησιμοποιήσετε τη σκούπα για σύντομο χρονικό διάστημα.

► **Εικ.35:** 1. Αναστολέας (προαιρετικό εξάρτημα)  
2. Υποδοχέας σωλήνα

Ένας εύκαμπτος σωλήνας μπορεί να τυλιχτεί και να αποθηκευτεί γύρω από το περίβλημα ή τη λαβή της σκούπας σε μεγάλους βρόχους. Συνδέστε τα δύο άκρα του μαζί για να δημιουργήσετε βρόχους και αγκιστρώστε τους βρόχους στην ανυψωμένη λαβή. Εναλλακτικά, διατηρήστε το βασικό άκρο τοποθετημένο στην είσοδο εύκαμπτου σωλήνα και κρεμάστε τους βρόχους στο πολλαπλό άγκιστρο με το ελεύθερο άκρο δεμένο.

► **Εικ.36**

► **Εικ.37**

## Καθάρισμα του υφασμάτινου φίλτρου

Καθαρίστε το υφασμάτινο φίλτρο σε τακτά χρονικά διαστήματα επειδή ένα φραγμένο υφασμάτινο φίλτρο μπορεί να έχει ως αποτέλεσμα κακή απόδοση αναρρόφησης.

Σκουπίστε και κουνήστε το υφασμάτινο φίλτρο με το χέρι για να απομακρύνετε τη σκόνη περιστασιακά.

► **Εικ.38:** 1. Υφασμάτινο φίλτρο

## Καθάρισμα του φίλτρου πούδρας (HEPA) και προφίλτρου

### Προαιρετικό εξάρτημα

Καθαρίστε το φίλτρο πούδρας, το προφίλτρο και τον αποσβεστήρα σε τακτά χρονικά διαστήματα επειδή τα φραγμένα φίλτρα και ο αποσβεστήρας μπορεί να έχουν

ως αποτέλεσμα κακή απόδοση αναρρόφησης.

Τακτικά σκουπίστε και κουνήστε τα φίλτρα και τον αποσβεστήρα με το χέρι για να απομακρύνετε τη σκόνη. Να πλένετε περιστασιακά το φίλτρο πούδρας σε νερό, να το ξεπλένετε και να το στεγνώνετε πολύ καλά υπό σκιά, πριν από τη χρήση. Μην πλένετε ποτέ φίλτρα στο πλυντήριο.

► **Εικ.39**

**ΠΑΡΑΤΗΡΗΣΗ:** Μην τρίβετε ή γρατζουνάτε το φίλτρο πούδρας, το προφίλτρο ή τον αποσβεστήρα με σκληρά αντικείμενα όπως βούρτσα ή σπάτουλα.

**ΠΑΡΑΤΗΡΗΣΗ:** Τα φίλτρα φθείρονται με το πέρασμα του χρόνου. Συνιστάται να έχετε ανταλλακτικά.

## ΠΡΟΑΙΡΕΤΙΚΑ ΕΞΑΡΤΗΜΑΤΑ

**▲ ΠΡΟΣΟΧΗ:** Αυτά τα εξαρτήματα ή προσαρτήματα συνιστώνται για χρήση με το εργαλείο Makita που περιγράφτηκε στις οδηγίες αυτές. Η χρήση οποιωνδήποτε άλλων εξαρτημάτων ή προσαρτημάτων μπορεί να προκαλέσει κίνδυνο τραυματισμού σε άτομα. Να χρησιμοποιείτε τα εξαρτήματα ή προσαρτήματα μόνο για την χρήση που προορίζονται.

Μερικά εξαρτήματα μπορεί να μην είναι δυνατόν να εγκατασταθούν ανάλογα με τον συνδυασμό μερών. Εάν χρειάζεστε οποιαδήποτε βοήθεια για περισσότερες πληροφορίες σε σχέση με αυτά τα εξαρτήματα, απευθυνθείτε στο τοπικό σας κέντρο εξυπηρέτησης Makita.

- Εύκαμπτος σωλήνας
- Μπροστινά στόμια (22, 24, 38)
- Ευθύς σωλήνας
- Ράβδος προέκτασης
- Ακροφύσιο γωνιών
- Στρογγυλή βούρτσα
- Φίλτρο πούδρας, HEPA (για ξηρή σκόνη)
- Αποσβεστήρας
- Προφίλτρο
- Φίλτρο νερού
- Υφασμάτινο φίλτρο
- Ακροφύσιο σχήματος T
- Λυγισμένος σωλήνας
- Πολυαιθυλενική σακούλα
- Χάρτινο πακέτο
- Προσαρμογέας ΜΑΚΡΑC
- Γνήσια μπαταρία και φορτιστής της Makita

**ΠΑΡΑΤΗΡΗΣΗ:** Μερικά στοιχεία στη λίστα μπορεί να συμπεριλαμβάνονται στη συσκευασία εργαλείου ως στάνταρ εξαρτήματα. Μπορεί να διαφέρουν ανάλογα με τη χώρα.

## TÜRKÇE (Orijinal talimatlar)

### UYARI

- Bu makine fiziksel, duyuşsal ya da zihinsel yetenekleri kısıtlı olan veya deneyim ya da bilgileri olmayan kişiler ve çocuklar tarafından kullanıma uygun değildir.
- Süpürge ile oynamadıklarından emin olmak için çocuklar kontrol altında bulundurulmalıdır.
- Bataryanın tip referansı için "TEKNİK ÖZELLİKLER" bölümüne bakın.
- Bataryanın nasıl çıkarılacağı veya takılacağı ile ilgili olarak "Batarya kartuşunun takılması veya çıkartılması" kısmına bakın.
- Batarya kartuşunu bertaraf ederken aletten çıkarın ve güvenli bir yerde bertaraf edin. Bataryanın bertaraf edilmesi ile ilgili yerel düzenlemelere uyun.
- Alet uzun süre kullanılmayacaksa batarya aletten çıkarılmalıdır.
- Batarya kartuşunu kısa devre yapmayın.
- Kullanıcı bakımı sırasındaki uygun önlem bilgileri için "BAKIM" bölümüne bakın.

### TEKNİK ÖZELLİKLER

Model:	VC001GL	VC003GL	
Standart filtre türü	Kumaş filtre (ıslak ve kuru tozlar için)		
Hortumun ucundaki maksimum hava hacmi (BL4040, ø32 mm x 1,7 m hortumla)	2,7 m <sup>3</sup> /min		
Türbindeki maksimum hava hacmi (BL4040 ile)	4,2 m <sup>3</sup> /min		
Vakum (BL4040 ile)	23 kPa		
Elde edilebilir kapasite	Toz	8 L	15 L
	Su	6 L	12 L
Ebat (U x G x Y)	366 mm x 334 mm x 425 mm	366 mm x 334 mm x 475 mm	
Nominal voltaj	D.C. 36 V - 40 V maks.		
Net ağırlık	8,1 - 11,2 kg	8,4 - 11,5 kg	
Koruma sınıfı	IPX4		

- Sürekli yapılan araştırma ve geliştirmelerden dolayı, burada belirtilen özellikler önceden bildirilmeksizin değiştirilebilir.
- Özellikler ve batarya kartuşu ülkeden ülkeye değişebilir.
- Ağırlık, batarya kartuşu/kartuşları hariç aksesuarları içermez. Cihazın ve batarya kartuşunun/kartuşlarının en hafif ve en ağır birleşik ağırlığı tabloda gösterilmiştir.
- Islak tozlar için, şamandıra ve su filtresi veya kumaş filtre gereklidir.

### Geçerli batarya kartuşu ve şarj aleti

Batarya kartuşu	BL4020 / BL4025 / BL4040* / BL4040F* / BL4050F* / BL4080F* * : Önerilen batarya
Şarj aleti	DC40RA / DC40RB / DC40RC / DC40WA

- Yukarıda listelenen batarya kartuşlarının ve şarj aletlerinin bazıları yaşadığınız bölgeye bağlı olarak mevcut olmayabilir.

**⚠UYARI:** Sadece yukarıda listelenen batarya kartuşlarını ve şarj aletlerini kullanın. Başka batarya kartuşlarının ve şarj aletlerinin kullanılması yaralanma ve/veya yangına neden olabilir.

### Semboller

Ekipmanı için kullanılabilecek semboller aşağıda gösterilmiştir. Kullanmadan önce anlamlarını anladığınızdan emin olun.



El kitabını okuyun.



Çok özenli ve dikkatli kullanın.



Uyarı! Süpürge tehlikeli tozlar içerebilir.



Asla süpürgeyi üzerine çıkarmayın.



Toz sınıfı: L (hafif); Süpürgeler, L sınıfı tozları toplamak içindir. Tozlarla ve mesleki tehlikelere ve güvenliğe ilişkin olarak ülkenizdeki yönetmeliklere uyun.



Sadece AB ülkeleri için Ekipmanda tehlikeli bileşenler bulunduğundan dolayı atık elektrikli ve elektronik ekipmanlar, aküler ve bataryalar çevre ve insan sağlığı üzerinde olumsuz etkiye yol açabilir.

Elektrikli ve elektronik cihazları veya bataryaları evsel atıklarla birlikte atmayın!

Atık elektrikli ve elektronik ekipmanlar ile akümülatörler ve bataryalar hakkındaki Avrupa Direktifi ve söz konusu direktifin ulusal yasalara uyarlanması gereğince atık elektrikli ekipmanlar, bataryalar ve akümülatörler ayrı olarak depolanmalı ve çevre koruma hakkındaki mevzuata uygun olarak faaliyet gösteren ayrı bir kentsel atık toplama noktasına teslim edilmelidir. Bu husus, ekipmanın üzerine yerleştirilmiş üzerinde çarpı işareti bulunan tekerlekli çöp kovası simgesi ile belirtilmiştir.

## Kullanım amacı

Bu cihaz ıslak ve kuru tozları toplamak amacıyla kullanılır. Cihaz; oteller, okullar, hastaneler, fabrikalar, dükkanlar, ofisler ve kiralama hizmetleri gibi ticari kullanımlar için uygundur.

## Gürültü

Tipik A-ağırlıklı gürültü düzeyi (EN60335-2-69 standardına göre belirlenen):

### Model VC001GL

Ses basınç seviyesi ( $L_{pA}$ ): 70 dB (A) veya daha az  
Belirsizlik (K): 2,5 dB (A)

### Model VC003GL

Ses basınç seviyesi ( $L_{pA}$ ): 70 dB (A) veya daha az  
Belirsizlik (K): 2,5 dB (A)

İşlem sırasında gürültü seviyesi 80 dB (A)'yi geçebilir.

**NOT:** Beyan edilen gürültü emisyonu değer(ler)i bir standart test yöntemine uygun şekilde ölçülmüştür ve bir aleti bir başkasıyla karşılaştırmak için kullanılabilir.

**NOT:** Beyan edilen gürültü emisyonu değer(ler)i bir ön maruz kalma değerlendirmesi olarak da kullanılabilir.

**UYARI:** Kulak koruyucuları takın.

**UYARI:** Elektrikli aletin gerçek kullanımı sırasındaki gürültü emisyonu, aletin kullanım biçimlerine, özellikle işlenen iş parçasının türüne bağlı olarak beyan edilen değer(ler)den farklı olabilir.

**UYARI:** Gerçek kullanım koşullarındaki tahmini maruziyeti baz alan, operatörü koruyacak güvenlik önlemlerini mutlaka belirleyin (çalışma döngüsü içerisinde aletin kapalı olduğu ve aktif durumda olmasının yanı sıra boşta çalıştığı zamanlar gibi, bütün zaman dilimleri göz önünde bulundurarak).

## Titreşim

Titreşim toplam değeri (üç eksenli vektör toplamı) (EN60335-2-69 standardına göre hesaplanan):

### Model VC001GL

Titreşim emisyonu ( $a_{h,M}$ ): 2,5 m/s<sup>2</sup>den az  
Belirsizlik (K) : 1,5 m/s<sup>2</sup>

### Model VC003GL

Titreşim emisyonu ( $a_{h,M}$ ): 2,5 m/s<sup>2</sup>den az  
Belirsizlik (K) : 1,5 m/s<sup>2</sup>

**NOT:** Beyan edilen titreşim toplam değer(ler)i bir standart test yöntemine uygun şekilde ölçülmüştür ve bir aleti bir başkasıyla karşılaştırmak için kullanılabilir.

**NOT:** Beyan edilen titreşim toplam değer(ler)i bir ön maruz kalma değerlendirmesi olarak da kullanılabilir.

**UYARI:** Elektrikli aletin gerçek kullanımı sırasındaki titreşim emisyonu, aletin kullanım biçimlerine, özellikle işlenen iş parçasının türüne bağlı olarak beyan edilen değer(ler)den farklı olabilir.

**UYARI:** Gerçek kullanım koşullarındaki tahmini maruziyeti baz alan, operatörü koruyacak güvenlik önlemlerini mutlaka belirleyin (çalışma döngüsü içerisinde aletin kapalı olduğu ve aktif durumda olmasının yanı sıra boşta çalıştığı zamanlar gibi, bütün zaman dilimleri göz önünde bulundurarak).

## Uygunluk Beyanları

### Sadece Avrupa ülkeleri için

Uygunluk beyanları bu kullanma kılavuzuna Ek A olarak eklenmiştir.

## GÜVENLİK UYARILARI

### Akülü süpürgesi güvenlik uyarıları

**UYARI: ÖNEMLİ KULLANMADAN ÖNCE tüm güvenlik uyarılarını ve tüm talimatları DİKKATLE OKUYUN.** Uyarılara ve talimatlara uyulmaması elektrik şoku, yangın ve/veya ciddi yaralanmalar ile sonuçlanabilir.

1. Kullanmadan önce, bu süpürgeyi kullanacak kişilerin bu süpürgeyi kullanımı konusunda yeterince bilgilendirildiğinden emin olun.

2. Kullanmadan önce operatörlere, makinenin kullanımı ve hangi maddeler için kullanılacağına ilişkin, toplanan materyali güvenli çıkarma ve atma yöntemi de dahil olmak üzere bilgi, talimat ve eğitim verilmelidir.
  3. Köpük ya da sıvı çıkıyorsa aleti derhal kapatın.
  4. Su seviyesi sınırlama cihazını düzenli olarak temizleyin ve hasar belirtilerine karşı inceleyin.
  5. Kullanmadan önce filtrelerin düzgün bir şekilde takıldıklarından mutlaka emin olun. Süpürgeyi filtreler yerinde olmadan kullanmayın. Hasarlı filtreyi hemen değiştirin. Filtreler sarf malzemeleri olduğundan bir miktar yedek bulundurulması önerilir.
  6. İSTEM DIŞI BAŞLATMAYI ÖNLEYİN. Bataryayı/ bataryaları takarken anahtarın KAPALI konumunda olduğundan emin olun.
  7. Yanıcı malzemeleri, havai fişekleri, yanan sigaraları, sıcak külleri, sıcak metal parçaları ve jilet, iğne, kırık cam vb. gibi keskin malzemeleri süpürgeyle çekmeye çalışmayın.
  8. SÜPÜRGEYİ ASLA BENZİN, GAZ, BOYA, YAPIŞTIRICILAR YA DA DİĞER YÜKSEK ORANDA PATLAYICI ÖZELLİĞİ OLAN MADDELERİN YAKININDA KULLANMAYIN. AÇMA ve KAPAMA sırasında anahtardan kıvılcım çıkar. Kullanım sırasında motor kolektöründen de kıvılcım çıkar. Ciddi bir patlama meydana gelebilir.
  9. Asbest, arsenik, baryum, berilyum, kurşun, pestisitler gibi zehirli, kanserojen, yanıcı veya diğer tehlikeli maddeleri veya sağlığa zararlı maddeleri süpürgeyle çekmeyin.
  10. Düşmesini veya kazara hareket etmesini engellemek için süpürgeyi her zaman yatay düz bir yüzeye yerleştirin.
  11. Süpürgeyi yağmurlu havalarda dışarıda asla kullanmayın.
  12. Finlandiya için bu makine düşük sıcaklıkta dış mekanlarda kullanılmamalıdır.
  13. Isı kaynaklarının yakınında kullanmayın (ocak vb.).
  14. Egzoz havası odaya geri dönerse odada yeterli bir hava değişim oranı sağlamak gereklidir. Gerekirse ulusal mevzuata başvurun.
  15. Emme ağzı/çıkış/soğutma kanallarını kapatmayın. Bu kanallar motorun soğumasını sağlar. Kanalların kapatılmasından dikkatle kaçınılmalıdır, aksi takdirde yetersiz havalandırma nedeniyle motor yanar.
  16. Her zaman yere sağlam basın ve dengenizi koruyun.
  17. Hortumu katlamayın, çekiştirmeyin veya üzerine basmayın.
  18. Kullanım sırasında performansta zayıflama ya da normal olmayan herhangi bir durum tespit ettiğinizde süpürgeyi derhal durdurun.
  19. BATARYAYI/BATARYALARI ÇIKARIN. Kullanılmadığında, servis işlemlerinden önce ve aksesuarları değiştirirken.
  20. Süpürgeyi en iyi kullanım koşullarında tutmak için her kullanımdan sonra süpürgeyi derhal temizleyin ve bakımını yapın.
  21. SÜPÜRGENİN BAKIMINI DİKKATLİ BİR
22. **ŞEKİLDE YAPIN.** Daha iyi ve güvenli performans için süpürgeyi temiz tutun. Aksesuarların değiştirilmesi için talimatlara uyun. Tutamakları kuru, temiz ve yağ ve gres bulaşmamış halde bulundurun.
  22. **HASARLI PARÇALARI KONTROL EDİN.** Süpürgeyi kullanmaya devam etmeden önce, hasar görmüş siper ya da başka bir parça, uygun şekilde çalışıp çalışmayacağını ve amaçlanan işlevi görüp göremeyeceğini belirlemek amacıyla, dikkatli bir şekilde kontrol edilmelidir. Hareketli parçaların hizalanmalarını, bağlantılarını, parçalardaki kırıkları, montajlarını ve işleyişi etkileyebilecek başka durumları kontrol edin. Hasar görmüş siper ya da başka bir parça, bu kullanım kılavuzunda başka bir yer belirtilmediği sürece yetkili bir servis merkezi tarafından onarılmalı ya da değiştirilmelidir. Arızalı anahtarları yetkili servis merkezinde değiştirin. Anahtar süpürgeyi açıp kapatmıyorsa süpürgeyi kullanmayın.
  23. Kullanıcı bakımı için makine, bakım personeli ve diğerlerini riske atmadan makul şekilde uygulanabilir ölçüde sökülmeli, temizlenmeli ve bakımı yapılmalıdır.
  24. Makine, üretici firma veya eğitimli bir personel tarafından yılda en az bir kez teknik olarak muayene edilmelidir; bu muayene örneğin filtrelerin hasara karşı kontrol edilmesini, makinenin hava geçirmezliğini ve kontrol mekanizmasının düzgün çalışıp çalışmadığını içermelidir.
  25. Bakım veya onarım işlemleri yaparken tatminkar düzeyde temizlenmeyen tüm kirli elemanlar atılmalıdır; söz konusu elemanlar, bu tür atıkların atılması ile ilgili mevcut tüm mevzuata uygun olarak sızdırmaz torbalarda atılmalıdır.
  26. **YEDEK PARÇALAR.** Servis için sadece aynı yedek parçaları kullanın.
  27. **SÜPÜRGENİN KULLANILMADIĞI ZAMAN SAKLANMASI.** Kullanılmadığında, süpürgeyi iç mekanlarda saklayın.
  28. Islak filtreler ve sıvı kabının iç kısmı depolanmadan önce kurutulmalıdır.
  29. Süpürgenizi düzenle kullanın. Kaba kullanım en sağlam yapı süpürgenin bile kırılmasına neden olabilir.
  30. İçini ya da dışını benzin, tiner veya temizleyici kimyasallarla temizlemeye çalışmayın. Çatlaklar ya da renk değişiklikleri oluşabilir.
  31. Yağ bazlı boya, boya inceltici, benzin, bazı güve yemez maddeler vb.den yanıcı, patlayıcı veya zehirli buharlar çıkan kapalı ortamlarda veya yanıcı tozların mevcut olduğu alanlarda süpürgeyi kullanmayın.
  32. Bu aleti ya da diğer aletleri alkol veya ilaçların etkisi altında kullanmayın.
  33. Temel bir güvenlik kuralı olarak güvenlik gözlükleri veya kenar siperli güvenlik gözlükleri kullanın.
  34. Tozlu çalışma koşullarında bir toz maskesi kullanın.
  35. Bu makine fiziksel, duyuusal ya da zihinsel yetenekleri kısıtlı olan veya deneyim ya da bilgileri olmayan kişiler ve çocuklar tarafından kullanıma uygun değildir.

36. Süpürge ile oynamadıklarından emin olmak için çocuklar kontrol altında bulundurulmalıdır.
37. Bataryalı/bataryaları ve süpürgeyi asla ıslak elle elemeyin.
38. Merdivenlere temizlik yaparken çok dikkatli olun.
39. Süpürgeyi basamak ya da çalışma tezgahı olarak kullanmayın. Makine devrilebilir ve kişisel yaralanmaya neden olabilir.

#### Bataryalı aletin kullanımı ve bakımı

1. Sadece üretici tarafından belirtilen şarj aleti ile şarj edin. Bir batarya kutusu için uygun olan şarj cihazı başka bir batarya kutusu ile kullanıldığında yangın riski oluşturabilir.
2. Elektrikli aletleri sadece özel olarak belirtilen batarya kutuları ile kullanın. Başka batarya kutularının kullanımı yaralanma ve yangın riski oluşturabilir.
3. Batarya kutusu kullanılmadığında; iki terminal arasında bağlantı kurulmasına sebep olabilecek ataç, bozuk para, anahtar, çivi, vida gibi metal nesnelere ya da küçük metal objelerden uzak tutun. Batarya terminallerine kısa devre yaptırmak yanıklara ya da yangına yol açabilir.
4. Kötü koşullarda bataryadan sıvı sızabilir; bu sıvıya temas etmeyin. Eğer istemeden bir temas olursa suyla yıkayın. Sıvı göze temas ederse, suyla yıkadıktan sonra tıbbi yardım alın. Bataryadan çıkan sıvı tahrişe ya da yanıklara neden olabilir.
5. Batarya kutusu ya da alet hasar görmüşse ya da üzerinde değişiklik yapılmış batarya kutusunu kullanmayın. Hasar görmüş ya da üzerinde değişiklik yapılmış batarya kutuları yangın, patlama ya da yaralanma riski ile sonuçlanan beklenmedik davranışlar sergileyebilir.
6. Batarya kutusunu veya aleti ateşe ya da aşırı sıcaklıklara maruz bırakmayın. Ateşe ya da 130 °C'nin üzerindeki sıcaklıklara maruz bırakmak patlamaya neden olabilir.
7. Tüm şarj talimatlarına uyun ve batarya kutusunu ya da aleti yönergelerde belirtilen sıcaklık aralığının dışındaki sıcaklıklarda şarj etmeyin. Uygun olmayan bir şekilde ya da belirtilen sıcaklık aralığının dışında şarj etmek bataryaya zarar verebilir ve yangın riskini artırabilir.

## BU TALİMATLARI SAKLAYIN.

**⚠UYARI:** Ürünü kullanırken (defalarca kullanınca kazanılan) rahatlık ve tanıdıklık duygusunun ilgili ürünün güvenlik kurallarına sıkı sıkıya bağlı kalmanın yerine geçmesine İZİN VERMEYİN. YANLIŞ KULLANIM veya bu kullanma kılavuzunda belirtilen emniyet kurallarına uymama ciddi yaralanmaya neden olabilir.

### Batarya kartuşu hakkında önemli güvenlik talimatları

1. Batarya kartuşunu kullanmadan önce, tüm talimatları ve (1) batarya kartuşu, (2) batarya ve (3) ürün üzerindeki tüm uyarı işaretlerini okuyun.
2. Batarya kartuşunu parçalarına ayırmayın veya kurcalamayın. Yangın, aşırı ısı veya patlamaya

neden olabilir.

3. Çalışma süresi aşırı derecede kısalmışsa kullanmayı derhal bırakın. Aşırı ısınma, yanma riski hatta patlamaya neden olabilir.
4. Gözünüze elektrolit kaçarsa, gözlerinizi temiz suyla durulayın ve hemen tıbbi yardım alın. Görme kaybına yol açabilir.
5. Batarya kartuşuna kısa devre yaptırmayın:
  - (1) Terminallere herhangi bir iletken madde değdirmeyin.
  - (2) Batarya kartuşunu çiviler, madeni paralar, vb. gibi başka metal nesnelere aynı kaba koymaktan kaçının.
  - (3) Batarya kartuşunu yağmura ya da suya maruz bırakmayın.
6. Kısa devre, büyük bir akım akışına, aşırı ısınmaya, olası yanıklara hatta bataryanın bozulmasına yol açabilir.
7. Aleti ve batarya kartuşunu sıcaklığın 50 °C ya da daha yükseğe ulaştığı yerlerde saklamayın ve kullanmayın.
8. Aşırı derecede hasar görmüş ya da tamamen kullanılamaz durumda olsa bile batarya kartuşunu yakmayın. Batarya kartuşu ateşe atılırsa patlayabilir.
9. Batarya kartuşunu çivilemeyin, kesmeyin, ezmeyin, fırlatmayın, düşürmeyin ya da batarya kartuşuna sert bir nesne ile vurmayın. Bu eylemler yangın, aşırı ısı veya patlamaya neden olabilir.
10. Hasarlı bataryayı kullanmayın.
11. Aletin içerdiği lityum-iyon bataryalar Tehlikeli Eşyalar Yönetmeliğinin gereksinimlerine tabidir. Ticari nakliye işlemleri için, örneğin üçüncü taraf, nakliye acenteleri tarafından yapılan nakliyelerde, paketlenme ve etiketleme gereksinimlerine uyulmalıdır. Nakliyesi yapılacak ürünün hazırlanması için, tehlikeli maddeler konusunda uzman bir kişiye danışın. Lütfen muhtemelen daha ayrıntılı olan ulusal yönetmeliklere de uyun. Açık kontakları bantlayın ya da maskeleyin ve bataryayı paketin içinde hareket etmeyecek şekilde paketleyin.
12. Batarya kartuşunu bertaraf ederken aletten çıkarın ve güvenli bir yerde bertaraf edin. Bataryanın bertaraf edilmesi ile ilgili yerel düzenlemelere uyunuz.
13. Bataryaları sadece Makita tarafından belirtilen ürünlerle kullanın. Bataryaların uyumsuz ürünlere takılması; yangın, aşırı ısınma, patlama ya da elektrolit sızıntısına neden olabilir.
14. Alet uzun süre kullanılmayacaksa batarya aletten çıkarılmalıdır.
15. Kullanma sırasında ve sonrasında batarya kartuşu ısınarak yanıklara veya düşük sıcaklık yanıklarına yol açabilir. Sıcak batarya kartuşları ile işlem yaparken dikkat edin.
16. Yanıklara neden olabilecek kadar sıcak olabileceğinden kullanıldıkten hemen sonra aletin terminaline dokunmayın.
17. Batarya kartuşunun terminallerine, deliklerine ve kanallarına micir, toz veya toprak girmesine



izin vermeyin. Aletin veya batarya kartuşunun ısınmasına, alev almasına, patlamasına ve arızalanmasına neden olarak yanıklara veya yaralanmaya yol açabilir.

17. **Alet yüksek gerilim elektrik güç hatlarını yakınında kullanımı desteklemediği sürece batarya kartuşunu yüksek gerilim elektrik güç hatlarını yakınında kullanmayın.** Aletin veya batarya kartuşunun arızalanmasına veya bozulmasına neden olabilir.
18. **Bataryayı çocuklardan uzak tutun.**

## BU TALİMATLARI MUHAFAZA EDİNİZ.

**⚠DİKKAT:** Sadece orijinal Makita bataryalarını kullanın. Orijinal olmayan Makita bataryaları ya da üzerine değişiklik yapılmış bataryaların kullanımı bataryanın patlamasına ve sonuç olarak yangın, kişisel yaralanma ve hasara neden olabilir. Ayrıca Makita aleti ve şarj aletinin Makita tarafından sunulan garantisini de geçersiz olur.

## Maksimum batarya ömrü için ipuçları

1. **Batarya kartuşunu tamamen boşalmadan önce şarj edin. Aletin gücünün zayıflamaya başladığını fark ettiğinizde aleti durdurun ve batarya kartuşunu şarj edin.**
2. **Tam dolu bir batarya kartuşunu asla yeniden şarj etmeyin. Aşırı şarj etme bataryanın hizmet ömrünü kısaltır.**
3. **Batarya kartuşunu 10 °C - 40 °C oda sıcaklığında şarj edin. Sıcak bir batarya kartuşunu şarj etmeden önce soğumasını bekleyin.**
4. **Batarya kartuşunu kullanıyorken aletten veya şarj aletinden çıkarın.**
5. **Uzun bir süre (altı aydan daha fazla) kullanmadığınız durumlarda batarya kartuşunu şarj edin.**

## PARÇALARIN TANIMI

- **Şek.1:** 1. Kafa ünitesi 2. Şamandıra 3. Şamandıra kafesi 4. Kumaş filtre 5. Hazne

## İŞLEVSEL NİTELİKLER

**⚠DİKKAT:** Cihaz üzerinde ayarlama ya da işleyiş kontrolü yapmadan önce cihazın kapalı ve batarya kartuşlarının çıkartılmış olduğundan daima emin olun.

## Batarya kartuşunun takılması ve çıkarılması

**⚠DİKKAT:** Batarya kartuşlarını takmadan ya da çıkarmadan önce cihazı daima kapatın.

**⚠DİKKAT:** Batarya kartuşunu takarken veya çıkarırken süpürgeyi ve batarya kartuşlarını sıkıca tutun. Aksi takdirde bunlar elinizden kayarak süpürge ve batarya kartuşlarında hasara veya yaralanmaya yol açabilir.

**⚠DİKKAT:** Batarya kapağını açıp kapatırken parmaklarınızı sıkıştırmamaya dikkat edin. Bunun yapılmaması kişisel yaralanmalara sebep olabilir.

Süpürgede çift batarya yuvası bulunur. İki aynı bataryayı paralel kullanarak bataryaları şarj etmek için durmak zorunda kalmadan çalışma sürenizi bir veya daha fazla kullanıma kadar uzatabilirsiniz. Süpürge tek bir batarya ile de çalışabilir, bu yüzden ihtiyaçlarınıza göre çift batarya veya tek batarya arasından seçim yapabilirsiniz.

- **Şek.2:** 1. Sol batarya yuvası 2. Sağ batarya yuvası

### Çift batarya ile

İki batarya ile kesintisiz tahrik, daha uzun çalışma süresine ve daha verimli temizliğe olanak tanır. İlk batarya boşalırsa süpürge otomatik olarak güç kaynağını değiştirir, böylece ikinci batarya ile çalışmaya devam eder.

**NOT:** Sol batarya yuvası (süpürgenin önüne bakarken) sağ batarya yuvasına göre önceliklidir. Sağ batarya yuvası yalnızca sol batarya yuvasına takılı batarya yokken veya sol batarya yuvasındaki batarya boşaldığında bir güç kaynağı olarak tanımlanır.

**NOT:** Süpürge güç kaynağını sol batarya yuvasından sağa değiştirdiğinde çalışmaya ara vermeden sol batarya yuvasındaki bataryayı çıkarabilir ve şarj edebilirsiniz. Şarjlı bir batarya taktıktan sonra önceliği yeniden sol batarya yuvasına vermek için süpürgeyi yeniden başlatın.

### Tek batarya ile

Güç kaynağı sol veya sağ batarya yuvasında olduğu için sadece bir batarya gerekir. Süpürge, çalışma koşullarına göre hangi batarya yuvasının kullanılabilir olduğunu otomatik olarak belirler.

### Takma ve çıkarma

Batarya kartuşlarını takmak için önce kilidi ve ardından batarya kapağını açın. Daha sonra batarya kartuşlarını takın.

- **Şek.3:** 1. Kilit 2. Batarya kapağı

Batarya kartuşlarının üzerindeki dilleri batarya yuvasındaki girintilerle hizalayın ve kaydırarak yerlerine takın. Hafif bir tık sesiyle yerlerine kilitlenen dek sonuna kadar sokun.

Ardından batarya kapağını kilitleyin.

- **Şek.4:** 1. Batarya kartuşu 2. Düğme

Batarya kartuşlarını çıkarmak için kartuşlarının önündeki düğmelere basıp basılı tutarken batarya yuvasından dışarı kaydırarak çıkarın.

**⚠️ DİKKAT:** Batarya kartuşunu her zaman tam olarak takın. Aksi takdirde, cihazın üzerinden kazara düşerek sizin ya da çevrenizdekilerin yaralanmasına neden olabilir.

**⚠️ DİKKAT:** Batarya kartuşunu zorlayarak takmayın. Kartuş kolay bir şekilde kaymıyorsa doğru yerleştirilmemiş demektir.

**NOT:** Süpürge güç kaynağını ilk bataryadan ikinci bataryaya değiştirirken işlemlerde geçici bir duraklama gerektirebilir, bu da hafif emiş kaybına neden olur. Bunun bir arıza olmadığını lütfen unutmayın, duraklamadan sonra süpürge hemen toparlanır ve işlemleri devam ettirir.

## Kalan batarya kapasitesinin gösterilmesi

Kalan batarya kapasitesini göstermesi için batarya kartuşu üzerindeki kontrol düğmesine basın. Gösterge lambaları birkaç saniye yanar.

► **Şek.5:** 1. Gösterge lambaları 2. Kontrol düğmesi

Gösterge lambaları			Kalan kapasite
Yanıyor	Kapalı	Yanıp sönüyor	
■	□	▣	
■ ■ ■ ■			%75 ila %100
■ ■ ■ □			%50 ila %75
■ ■ □ □			%25 ila %50
■ □ □ □			%0 ila %25
▣ □ □ □			Bataryayı şarj edin.
■ ■ □ □			Batarya arızalanmış olabilir.
□ □ ■ ■			

**NOT:** Kullanım koşullarına ve ortam sıcaklığına bağlı olarak, gösterilen değer gerçek kapasiteden biraz farklılık gösterebilir.




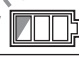
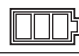
**NOT:** İlk (en soldaki) gösterge lambası, batarya koruma sistemi çalıştığından yanıp söner.

## Kumanda panelindeki batarya göstergeleri

Kalan batarya kapasitesi istenildiğinde kumanda panelinden okunabilir. Kontrol düğmesine basın, sol ve sağ göstergeler ilgili batarya şarj seviyelerini gösterir.

► **Şek.6:** 1. Batarya göstergeleri 2. Kontrol düğmesi

► **Şek.7**

Batarya göstergesi durumu			Kalan pil kapasitesi
Açık	Kapalı	Yanıp sönüyor	
			%50 ila %100
			%20 ila %50
			%0 ila %20
			Bataryayı şarj edin
			Batarya takılı değil

**NOT:** Batarya göstergeleri süpürge çalışmaya başladığında veya güç kaynağını birinden diğerine değiştirdiğinde de etkinleşir.



## Cihaz/batarya koruma sistemi

Cihaz bir cihaz/batarya koruma sistemi ile donatılmıştır. Bu sistem cihaz ve batarya ömrünü uzatmak için motorun gücünü otomatik olarak keser. Cihaz veya batarya için aşağıdaki durumlardan biri söz konusu olduğunda cihaz çalışma sırasında otomatik olarak durur:



### Aşırı yük koruması

Cihaz/batarya, anormal derecede yüksek akım çekmesine neden olacak şekilde kullanıldığında, cihaz otomatik olarak durur. Bu durumda cihazı kapatın ve cihazın aşırı yüklenmesine neden olan uygulamayı kesin. Ardından cihazı açarak yeniden çalıştırın.

### Aşırı ısınma koruması

■ Açık	▣ Yanıp sönüyor
	

Cihaz aşırı ısındığında otomatik olarak durur ve hem sol hem de sağ batarya göstergeleri yanıp söner. Bu durumda, yeniden çalıştırmadan önce cihazın soğumasını bekleyin.

■ Açık	▣ Yanıp sönüyor
	

Batarya aşırı ısındığında cihaz otomatik olarak durur ve aşırı ısınan bataryanın göstergelerinden biri yanıp söner. Bu durumda, cihazı yeniden çalıştırmadan önce bataryanın soğumasını bekleyin.

## Aşırı deşarj koruması

Batarya kapasitesi düştüğünde cihaz otomatik olarak durur. Cihaz, anahtar kullanımı ile çalışmazsa bataryaları cihazdan çıkarın ve şarj edin.

## Diğer nedenlere karşı korumalar

Koruma sistemi, cihaza zarar verebilecek diğer nedenler için de tasarlanmıştır ve cihazın otomatik olarak durmasını sağlar. Cihaz çalışırken geçici duraklama ve durma yaparsa nedenleri ortadan kaldırmak için aşağıdaki tüm adımları uygulayın.

1. Cihazı kapatın ve ardından tekrar açarak yeniden çalıştırın.
2. Bataryaları şarj edin veya şarjlı bataryalarla değiştirin.
3. Cihazın ve bataryaların soğumasını bekleyin.

Koruma sistemi eski haline getirilerek ilerleme kaydedilemezse yerel Makita Servis Merkezimize başvurun.

## Anahtar işlemleri

### Süpürgeyi açma

1. Süpürgeyi bekletme modunda hazır hale getirmek için hazırda bekletme anahtarını "I" (Açık) konumuna alın.
2. Açma kapama düğmesine basın. Hazırda bekletme moduna geri almak için, açma kapama düğmesine tekrar basın.

### Süpürgeyi kapatma

Aşağıdaki adımlardan birini uygulayın.

- Açma kapama düğmesine basarak süpürgeyi hazırda bekletme moduna geri alın ve ardından hazırda bekletme anahtarını "O" (Kapalı) konumuna getirin.
- Hazırda bekletme anahtarını "O" (Kapalı) konumuna getirin.

### Emme gücünü ayarlama

Emme gücü yaptığınız işin gereksinimine göre ayarlanabilir.

- Emme gücünü azaltmak için emme gücü ayarlama düğmesini sola çevirin.
- Emme gücünü artırmak için emme gücü ayarlama düğmesini sağa çevirin.

- **Şek.8:** 1. Hazırda bekletme anahtarı 2. Açma kapama düğmesi 3. Emme gücü ayarlama düğmesi

## Islak emme işlemi sırasında otomatik emiş durdurma işlevi

**⚠UYARI:** Şamandıra çalışırken uzun süre boyunca kullanmayın. Şamandıra çalışırken süpürgeyi uzun bir süre kullanmak aşırı ısınmaya neden olabilir, bu da süpürgeyi deforme olması ile sonuçlanır.

**⚠UYARI:** Köpük veya sabunlu sıvıları süpürgeye çekmeyin. Şamandıra çalışmadan önce hava çıkışından köpük çıkmasına neden olabilir. Bu koşullarda kullanmaya devam etmek elektrik çarpmasına ve süpürgeyi bozulmasına neden olabilir.

Otomatik emiş durdurma işlevi yalnızca süpürge

şamandıra ve şamandıra kafesi ile kullanılırken çalışır. Süpürgeyi, belli bir miktarın üzerinde su çekildiğinde motorun içine su girmesini önleyen bir şamandıra mekanizması vardır. Hazne dolduğunda ve süpürge daha fazla su alamaz duruma geldiğinde, süpürgeyi kapatın ve hazneyi boşaltın.

## Tekerlekleri kilitleme ve serbest bırakma

Süpürgeyi sabit durmasını sağlamak için arka tekerlekler durdurucularla kilitlenebilir. Durdurucu mandalı tekerleği kilitlemek için elle indirin, serbest bırakmak için kaldırın.

- **Şek.9:** 1. Tekerlek 2. Durdurucu mandal 3. SERBEST konum 4. KİLİTLİ konum

**NOT:** Süpürgeyi hareket ettirirken tekerleğin kilittli olmadığından emin olun. Süpürgeyi tekerlek kilittli konumda hareket ettirmek tekerleğe zarar verebilir.

## Taşıma sapı

**⚠DİKKAT:** Cihazı gerekli özeni göstererek kaldırın ve taşıyın. Aksi takdirde yaralanmaya veya cihaza hasara neden olabilir.

Süpürgeyi taşıırken, kafa ünitesindeki sapından tutarak taşıyın. Kullanılmadığı zaman bu sap kafa ünitesinde geri çekilebilir.

- **Şek.10**

## MONTAJ

**⚠DİKKAT:** Cihaz üzerinde herhangi bir iş yapmadan önce cihazın kapalı ve batarya kartuşlarının çıkarılmış olduğundan daima emin olun.

**⚠DİKKAT:** Montaj veya bakım sırasında daima toz maskesi takın.

## Toz filtresi (HEPA) ve ön filtrenin takılması (kuru tozlar için)

### İsteğe bağlı aksesuar

**⚠DİKKAT:** Toz filtresini kullanırken asla su veya başka sıvıları ya da ıslak tozları çekmeyin. Bunların çekilmesi toz filtresinin bozulmasına neden olabilir.

Toz filtresini kullanmak için:

1. Şamandıra kafesini sabitleyen vidaları gevşetin ve ardından vidalar, şamandıra kafesi ve şamandırayı kafa ünitesinden çıkarın.

- **Şek.11:** 1. Vida 2. Şamandıra kafesi 3. Şamandıra 4. Kafa ünitesi

2. Kumaş filtresi haznedeki çıkarın.

- **Şek.12:** 1. Kumaş filtre 2. Hazne

3. Ön filtre ve hazne üzerindeki montaj konumu işaretlerini hizalayarak ön filtreyi hazneye takın.

4. Tamponu ön filtreye takın ve ardından toz filtresi ve ön filtre üzerindeki montaj konumu işaretlerini hizalayarak toz filtresini tamponun üzerine yerleştirin.

5. Kafa ünitesini hazneye takın ve kilitleme mandalları ile sabitleyin.

► **Şek.13:** 1. Kafa ünitesi 2. Toz filtresi (HEPA) 3. Tampon 4. Ön filtre 5. Hazne 6. Montaj konumu işareti

**ÖNEMLİ NOT:** Toz filtresini kullanmadan önce, ön filtre ve tamponun birlikte kullanıldığından daima emin olun. Toz filtresinin tek başına takılmasına izin verilmemelidir.

## Su filtresini takma

### İsteğe bağlı aksesuar

**ÖNEMLİ NOT:** Şamandıra ve kumaş filtre ya da su filtresi olmadan su veya ıslak tozları asla çekmeyin.

**ÖNEMLİ NOT:** Islak tozları çekmek için, şamandıra kafesi ve şamandıranın süpürgeye takılı olduğundan emin olun.

**ÖNEMLİ NOT:** Su filtresini hazneye takarken, su filtresinin kancası hazne ağzını sıkıca kavrayacak ve su filtresi ile hazne arasında boşluk kalmayacak şekilde haznenin ağzına sıkı bir şekilde taktığınızdan emin olun.

Sadece su veya ıslak tozları çekmek için, su filtresi kumaş filtreden daha uygundur. Su filtresini takarken, montaj konumu işaretini hazne üzerindeki ile hizalayın.

► **Şek.14:** 1. Su filtresi 2. Hazne 3. Montaj konumu işareti

**NOT:** Arka arkaya büyük miktarlarda su çekileceği zaman su filtresinin kullanılması tavsiye edilir. Kumaş filtre kullanıldığı takdirde vakum performansında azalma görülebilir.

## Kağıt torbayı takma

### İsteğe bağlı aksesuar

**UYARI:** Kağıt torbayı kullanmadan önce, kumaş filtre veya ön filtrenin birlikte kullanıldığından emin olun. Kumaş filtrenin / ön filtrenin birlikte kullanılmaması anormal gürültü veya ısıya neden olabilir, yangınla sonuçlanabilir.

**ÖNEMLİ NOT:** Kağıt torba kullanırken asla su veya başka sıvıları ya da ıslak tozları çekmeyin. Bunların çekilmesi kağıt torbanın bozulmasına neden olabilir.

**ÖNEMLİ NOT:** Kumaş filtreyi kullanırken şamandıra ve şamandıra kafesinin kafa ünitesine takıldığından emin olun.

**ÖNEMLİ NOT:** Ön filtreyi kullanırken, toz filtresi ve tamponun birlikte kullanıldığından emin olun.

1. Katlı kağıt torbayı açın.
2. Kağıt torbanın ağzını haznenin toz girişi ile hizalayın.

3. Karton ağzı kağıt torba yuvasına geçirilmiş olarak kağıt torbayı hazneye takın.

► **Şek.15:** 1. Kağıt torba 2. Karton ağzı 3. Kağıt torba yuvası 4. Toz girişi

## Polietilen torbayı takma

Hazneye polietilen torba takıldığında hazneyi elleriniz kirlenmeden kolayca boşaltabilirsiniz.

Polietilen torbayı haznenin üzerine örtün ve torbanın açık ucunda üst kenarının bir tarafını haznenin tutucu plakası ile ön cidarı arasına sokun.

► **Şek.16:** 1. Tutucu plaka 2. Haznenin ön cidarı 3. Polietilen torba

Torbanın diğer üst kenarlarını haznenin üst kenarlarının üzerinden dışarı doğru yayın. Torbanın ağzını sıkıca bağlamak için polietilen torbanın üzerine kumaş filtre veya ön filtre yerleştirin.

► **Şek.17:** 1. Kumaş filtre / ön filtre

**NOT:** Piyasada bulunan polietilen torbalar kullanılabilir. 0,04 mm ya da daha kalın olanları tavsiye edilir.

**NOT:** Çok fazla toz toplanması torbanın kolayca yırtılmasına neden olur, bu sebeple torba kapasitesinin yarısından fazlasını geçmeyecek kadar toz toplayın.

## Polietilen torbalı hazneyi boşaltma

**UYARI:** Hazneyi boşaltmadan önce süpürgeğin kapalı ve batarya kartuşlarının çıkartılmış olduğundan daima emin olun. Aksi takdirde elektrik çarpmasına ve ciddi yaralanmalara sebep olabilir.

**ÖNEMLİ NOT:** Şamandıra kafesi ve hazne üzerine çok fazla kuvvet uygulamayın. Fazla kuvvet uygulamak parçaların deforme olmasına ve zarar görmesine neden olabilir.

**ÖNEMLİ NOT:** Hazneyi en azından günde bir kez boşaltın, yine de bu durum haznede biriken toz miktarına bağlı olarak değişebilir. Aksi takdirde emiş gücü azalabilir ve motor bozulabilir.

**ÖNEMLİ NOT:** Hazneyi boşaltırken kancalardan veya mandallardan tutmayın. Kancaların veya mandalların tutulması kırılmalarına neden olabilir.

Kilitleme mandallarını açın ve kafa ünitesini hazneden kaldırarak çıkarın.

Filtreyi hazneden kaldırarak çıkarmadan önce kumaş filtre veya ön filtrenin tozunu silkeleyin.

Ardından polietilen torbayı, torbanın ağzını elinizle kapatarak hazneden çıkarın.

► **Şek.18:** 1. Polietilen torba 2. Hazne

**NOT:** Haznenin içindeki kenarların çizmesini ve yırtmasını engellemek için polietilen torbayı hazneden dikkatlice çıkarın.

**NOT:** Polietilen torbayı dolmadan önce boşaltın. Haznede çok fazla toz birikmesi polietilen torbanın yırtılmasına neden olabilir.

## Çoklu kancayı takma

Kullanımda olmayan hortum, aksesuarlar ve ek parçaları yerinde tutmak için çoklu kancayı kullanın, böylece

tercihinize göre bunları çabucak alabilirsiniz.

#### ► Şek.19

Çoklu kancayı, süpürge arkasındaki montaj kaidesinin üzerine, çoklu kancanın üzerindeki rayları montaj kaidenin üzerindeki kanallara oturtarak yerleştirin.

► Şek.20: 1. Çoklu kanca 2. Montaj kaidesi

## MAKPAC adaptörünü takma

### İsteğe bağlı aksesuar

Takılabilir ve istiflenebilir MAKPAC depolama çantaları isteğe bağlı bir adaptörle süpürge üst kısmına takılabilir. Çantalar tercihlerinizi uyacak şekilde pek çok boyutta ve tarzda mevcuttur.

Montaj kaidesi kancasını, sap kapalı konuma katlandığında montaj yüzeyi yukarı bakacak şekilde süpürge sapının üzerine yerleştirin.

► Şek.21: 1. Montaj kaidesi kancası 2. Montaj yüzeyi 3. Sap

MAKPAC adaptörünü montaj kaidesi kancasının üzerine monte edin ve bunları verilen dört vida ile sabitleyin.

► Şek.22: 1. MAKPAC adaptörü 2. Montaj kaidesi kancası 3. Vida

Süpürge üzerine MAKPAC çantalar takmak için hazırlamak üzere çekme kolunu yukarı kaldırın ve topuzu sıkın.

► Şek.23: 1. Çekme kolu 2. Topuz

**NOT:** MAKPAC çantaları takma konusunda daha fazla bilgi için MAKPAC adaptörü ve çantalar ile verilen talimatlara bakın.

## Hortumu takma

**ÖNEMLİ NOT:** Hortumu zorlayarak bükme veya ezme çalışmayın. Süpürgeyi asla hortumdan tutarak taşımayın. Hortumu zorlamak, ezme veya çekme hortumun kırılmasına veya deforme olmasına neden olabilir.

**ÖNEMLİ NOT:** Planya döküntüleri, inşaat tozları gibi büyük atıkları veya bunlara benzeyen, küçük sayılamayacak atıkları çekerken 38 mm iç çaplı hortumu (isteğe bağlı aksesuar) kullanın. 28 mm iç çaplı hortumun (isteğe bağlı aksesuar) kullanılması hortumun tıkanmasına ve zarar görmesine neden olabilir.

### Süpürge bağlantısı

Hortumun ucunu süpürge toz girişine (hortum girişi) takın, ardından yerine kilitlene kadar saat yönünde çevirin.

► Şek.24: 1. Hortum 2. Toz girişi (hortum girişi)

### İş aletleriyle bağlantılar (Ülkeye özgü)

Elektrikli süpürge, süpürge ile uyumlu mevcut herhangi bir iş aletine bağlandığında elektrikli aletinizi için bir toz çekici olarak çalışır.

Süpürgeye bir alet bağlamak için özel hortum ve/veya ek parçalar gerekir. Süpürge modeline bağlı olarak hortumu değiştirmeniz ve/veya ek parçalar hazır etmeniz gerekir.

Aletinizin modeline en uygun ön manşet veya rakorlardan (isteğe bağlı aksesuarlar) birini seçin. Süpürge hortumunun ön ucu ile aletinizin toz çekme ağzının arasına gereken şekilde manşet veya rakor yerleştirin.

► Şek.25: 1. Ön manşet veya rakor 2. Süpürge hortumu 3. Elektrikli alet 4. Elektrikli süpürge

## Süpürge ek parçalarını takma veya çıkarma

**⚠ DİKKAT:** Bir ek parça taktıktan sonra sıkıca takılıp takılmadığını kontrol edin. Ek parça kusurlu takılırsa çıkarak yaralanmaya neden olabilir.

## Eğik boru tertibatının takılması

### İsteğe bağlı aksesuar

**NOT:** Modeliniz, eğik boru tertibatı hortuma takılı olursa bu prosedürü uygulamaz gerekir.

Eğik boru tertibatı, uzatma çubuğunu veya elektrikli süpürge ağzını bu ürüne bağlamak için kullanılır. Bu ürünü elektrikli süpürge olarak kullanmak isterseniz eğik boru tertibatını hortuma takın.

### Çevirmeli tip eğik boru tertibatı için

Takmak için, ön manşeti hortumdan çıkarın ve eğik boru tertibatının manşonunu çevirerek hortuma takın. Çıkarmak için, eğik boru tertibatının manşonunu çevirerek hortumdan gevşetin.

► Şek.26: 1. Hortum 2. Eğik boru tertibatı 3. Manşon

### Geçmeli tip eğik boru tertibatı için

Takmak için hortum ucunu eğik boru tertibatına sokun. Hortum ucundaki tırnakların eğik boru tertibatı üzerindeki deliklere geçtiğinden emin olun. Çıkarmak için hortum ucundaki her iki tırnağı bastırarak eğik boru tertibatını çekin.

► Şek.27: 1. Hortum ucu 2. Tırnak 3. Delik 4. Eğik boru tertibatı

## Kilitleme işlevsiz ek parça kullanırken

### İsteğe bağlı aksesuar

Ek parçayı süpürge emme ağzına ittirip elinizle yerine vidalayarak takın.

Kullandıktan sonra ek parçayı çevirerek emme ağzından çekip çıkarın.

► Şek.28

## Kilitleme işlevli ek parçalar

### İsteğe bağlı aksesuar

**ÖNEMLİ NOT:** Kilitleme işlevli ek parçayı takarken serbest bırakma düğmesini ek parça üzerindeki kanca ile mutlaka hizalayın. Hizalanmazlarsa ek parça kilitlemez ve süpürge çıkarabilir.

Ek parçayı süpürge emme ağzına, bir tık sesi ile bunları birbirine ittirerek takın.

Ek parçayı çıkarmak için serbest bırakma düğmesine basarak çekip çıkarın.

► Şek.29: 1. Kilitleme işlevli emme ağzı 2. Serbest bırakma düğmesi 3. Kilitleme işlevli ek parça

**NOT:** Kilitleme işlevli ek parça yalnızca kilitleme işlevli emme ağzına takılabilir.

- **Şek.30:** 1. Kilitleme işlevli ek parça 2. Kilitleme işlevli emme ağzı 3. Kilitleme işlevsiz emme ağzı

## Ağız ve çubuğun takılması

### İsteğe bağlı aksesuar

**NOT:** Ürünle birlikte verilen ağızın ve çubuğun türü ülkelere göre değişir. Bazı ülkelerde ağız ve çubuk dahil değildir.

Ağız çevirerek uzatma çubuğuna sokun.

- **Şek.31:** 1. Uzatma çubuğu 2. Esnek kauçuk ağız 3. Köşe emme başlığı 4. T şekilli ağız

**NOT:** Sokarken ağızın çevrilmesi, ağızın uzatma çubuğuna sıkıca takılmasını sağlar.

**NOT:** ø38 mm hortumlu ve ön manşet 38'li model için verilen ağız, alüminyum eğik boru / alüminyum düz boruya takın.

Zemin/halı değiştirmeli t ağızı kullanırken yere bağlı olarak modu değiştirebilirsiniz.

- Zemin modu: Sert zemin gibi düz yerler için uygundur
- Halı modu: Halı veya kilim gibi tüylü yerler için uygundur

- **Şek.32:** 1. Mod değiştirme düğmesi 2. Zemin modu 3. Halı modu

## Kayar tip uzatma çubuğunun uzunluklarını ayarlama

### İsteğe bağlı aksesuar

Kısa ve uzun uzunluklar için bir kayar tip uzatma çubuğu birleştirilebilir. Bu, ulaşılması zor alanların temizlenmesini ve rahat konumlandırma seçenekleri sağlar.

Çubuk uzunluklarını değiştirmek için kaydırma düğmesine basıp basılı tutarken kayar boruyu içeri veya dışarı çekin.

Kayar boruyu istediğiniz konumda kilitlemek için kaydırma düğmesini bırakın.

- **Şek.33:** 1. Kayar boru 2. Kaydırma düğmesi

## BAKIM

**⚠ DİKKAT:** Kontrol ya da bakım yapmadan önce cihazın kapalı ve batarya kartuşlarının çıkarılmış olduğundan daima emin olun.

**ÖNEMLİ NOT:** Benzin, tiner, alkol ve benzeri maddeleri kesinlikle kullanmayın. Renk değişimi, deformasyon veya çatlaklar oluşabilir.

Aleti EMNİYETLİ ve ÇALIŞMAYA HAZIR durumda tutmak için onarımlar, başka her türlü bakım ve ayarlamalar daima Makita yedek parçaları kullanılarak Makita yetkili servis merkezleri veya Fabrikanın Servis Merkezleri tarafından yapılmalıdır.

## Aksesuarların saklanması

Emme başlığı ve fırça gibi kullanımda olmayan aksesuarlar ve ek parçalar, süpürge arkasındaki çoklu kancaya asılarak saklanabilir.

- **Şek.34:** 1. Çoklu kanca 2. Kullanımda olmayan aksesuarlar ve ek parçalar

Süpürge kısa bir süre için kullanılmayacaksa borular (isteğe bağlı durdurucu takılı durumda) boru tutucuya yerleştirilebilir.

- **Şek.35:** 1. Durdurucu (isteğe bağlı aksesuar) 2. Boru tutucu

Bir hortum süpürge gövdesinin veya sapının etrafına büyük halkalar şeklinde sarılıp saklanabilir. Halkalar oluşturmak için her iki ucunu birbirine bağlayın ve halkaları kaldırılmış sapa geçirin. Alternatif olarak çıkış ucunu hortum girişine takılı tutun ve halkaları boştaki uç bağlanmış olarak çoklu kancaya asın.

- **Şek.36**

- **Şek.37**

## Kumaş filtrenin temizlenmesi

Tıkalı kumaş filtre düşük emme performansına neden olabileceğinden kumaş filtreyi düzenli aralıklarla temizleyin.

Kumaş filtrenin tozunu ara sıra elinizle vurarak silkeleyin.

- **Şek.38:** 1. Kumaş filtre

## Toz filtresinin (HEPA) ve ön filtrenin temizlenmesi

### İsteğe bağlı aksesuar

Tıkalı filtreler ve tampon düşük emme performansına neden olabileceğinden toz filtresi, ön filtre ve tamponu düzenli aralıklarla temizleyin.

Filtrelerin ve tamponun tozunu düzenli olarak elinizle vurarak silkeleyin.

Toz filtresini belirli aralıklarla suyla yıkayıp durulayın ve kullanmadan önce gölgede tamamen kurutun. Filtreleri asla çamaşır makinesinde yıkamayın.

- **Şek.39**

**NOT:** Toz filtresini, ön filtreyi ya da tamponu fırça veya palet gibi sert nesnelere ovmayın veya çizmeyin.

**NOT:** Filtreler zamanla aşınır. Yedeklerinin bulunulması tavsiye edilir.

# İSTEĞE BAĞLI AKSESUARLAR

**⚠ DİKKAT:** Bu aksesuarlar ve ek parçalar bu el kitabında belirtilen Makita aletiniz ile kullanılmak için tavsiye edilmektedir. Herhangi başka bir aksesuar ya da ek parça kullanılması insanlar için bir yaralanma riski getirebilir. Aksesuarları ya da ek parçaları yalnızca belirtilmiş olan kullanım amaçlarına uygun olarak kullanın.

Parça kombinasyonuna bağlı olarak bazı aksesuarlar takılamayabilir.

Bu aksesuarlarla ilgili daha fazla bilgiye ihtiyaç duyarsanız bulunduğunuz yerdeki yetkili Makita servisine başvurun.

- Hortum
- Ön manşetler (22, 24, 38)
- Düz boru
- Uzatma çubuğu
- Köşe emme başlığı
- Yuvarlak fırça
- Toz filtresi, HEPA (kuru tozlar için)
- Tampon
- Ön filtre
- Su filtresi
- Kumaş filtre
- T şekilli ağız
- Eğik boru
- Polietilen torba
- Kağıt torba
- MAKPAC adaptörü
- Orijinal Makita batarya ve şarj aleti

**NOT:** Listedeki parçaların bazıları alet paketi içerisinde standart aksesuar olarak dahil edilmiş olabilir. Bunlar ülkeden ülkeye farklılık gösterebilir.

# Makita Europe N.V.

Jan-Baptist Vinkstraat 2, 3070 Kortenberg, Belgium

# Makita Corporation

3-11-8, Sumiyoshi-cho, Anjo, Aichi 446-8502 Japan

[www.makita.com](http://www.makita.com)



885912D993  
EN, FR, DE, IT, NL,  
ES, PT, EL, TR  
20240918