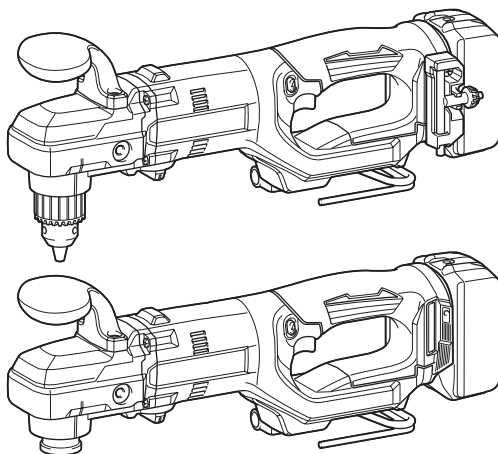
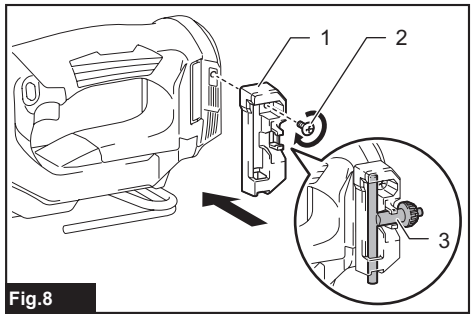
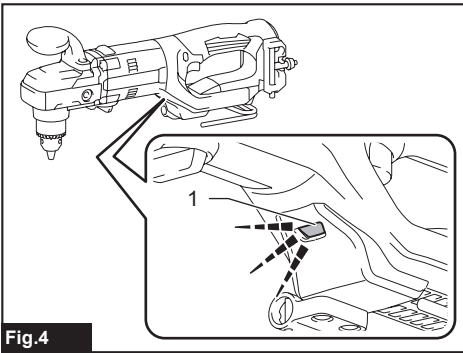
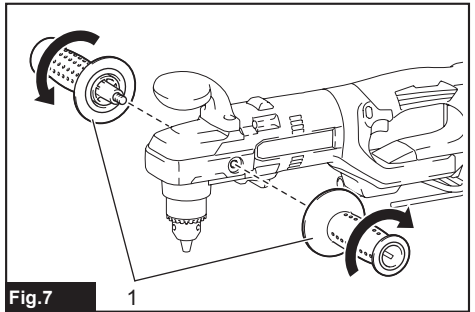
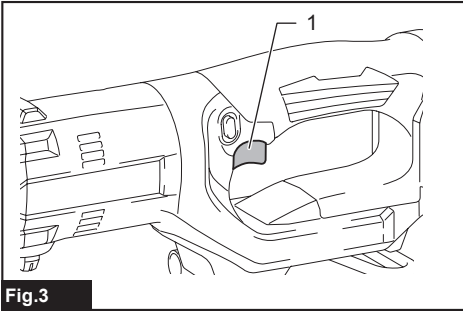
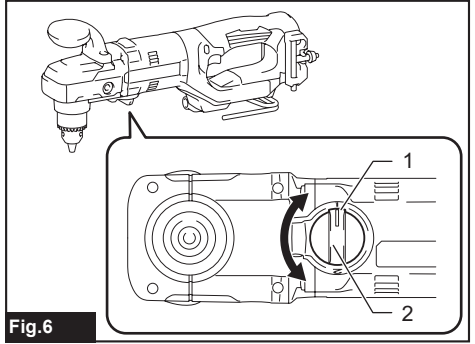
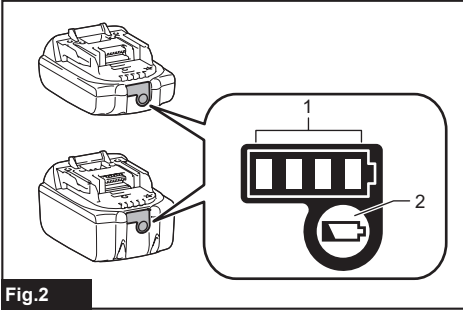
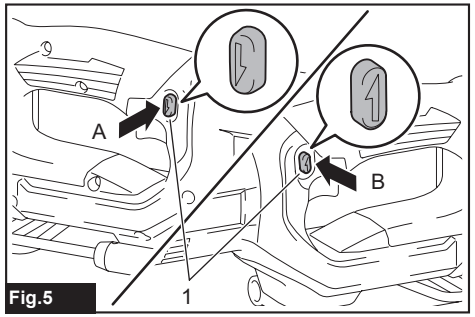
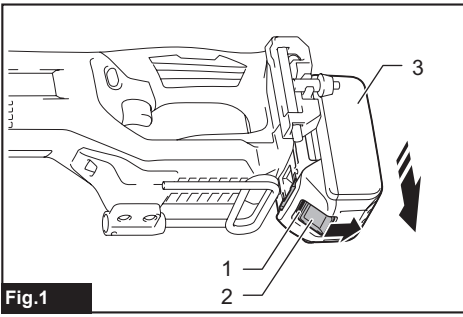




EN	Cordless Angle Drill	INSTRUCTION MANUAL	4
FR	Perceuse d'Angle sans Fil	MANUEL D'INSTRUCTIONS	11
DE	Akku-Winkelbohrmaschine	BETRIEBSANLEITUNG	18
IT	Trapano angolare a batteria	ISTRUZIONI PER L'USO	26
NL	Haakse accuboormachine	GEBRUIKSAANWIJZING	34
ES	Taladro Angular Inalámbrico	MANUAL DE INSTRUCCIONES	42
PT	Furadeira Angular a Bateria	MANUAL DE INSTRUÇÕES	50
DA	Akku vinkelboremaskine	BRUGSANVISNING	57
EL	Φορητό γωνιακό τρυπάνι	ΕΓΧΕΙΡΙΔΙΟ ΟΔΗΓΙΩΝ	64
TR	Akülü Açılı Matkap	KULLANMA KILAVUZU	72

DDA450
DDA451





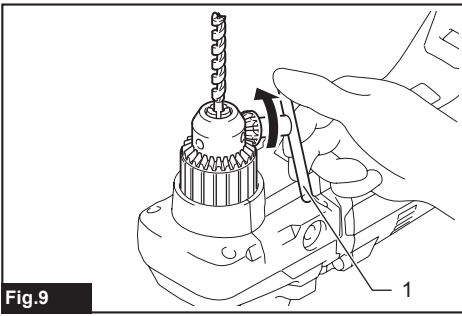


Fig.9

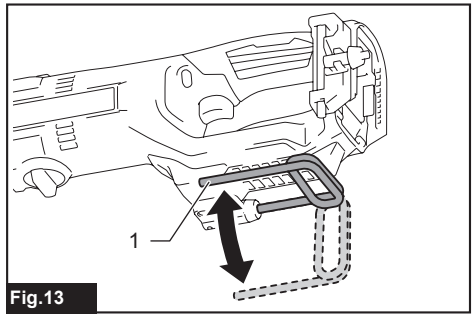


Fig.13

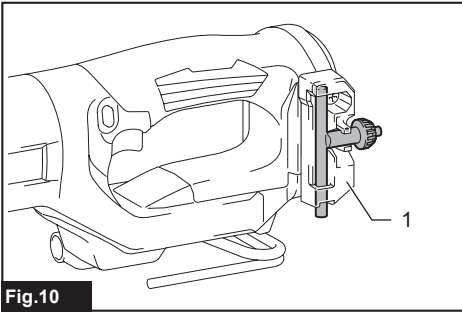


Fig.10

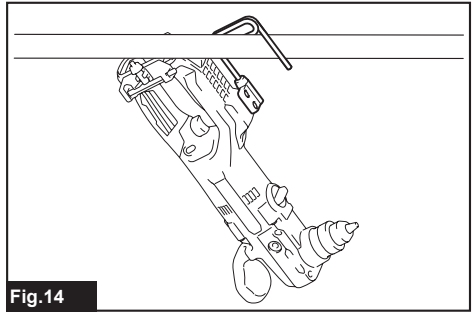


Fig.14

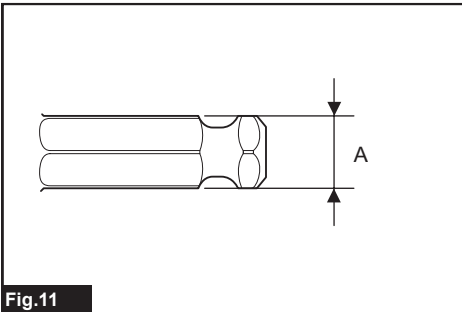


Fig.11

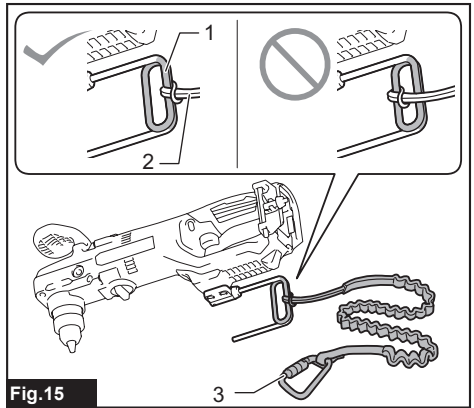


Fig.15

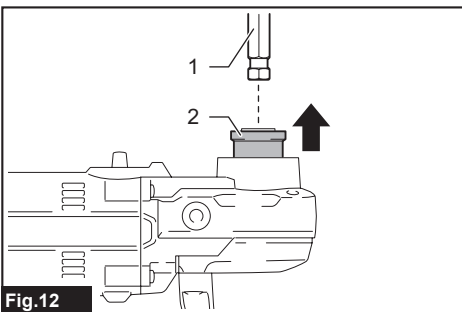


Fig.12

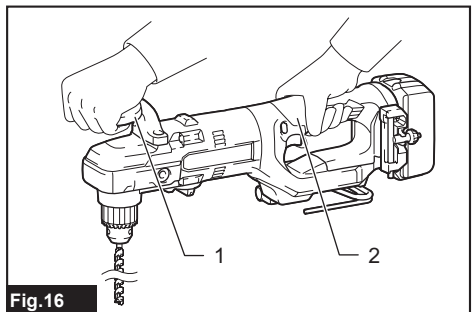


Fig.16

SPECIFICATIONS

Model:		DDA450		DDA451	
Gear speed		High	Low	High	Low
Drilling capacities	Steel	13 mm			
	Wood	Auger bit: 38 mm Self-feed bit: 50 mm Hole saw: 101 mm	Auger bit: 38 mm Self-feed bit: 65 mm Hole saw: 127 mm	Auger bit: 38 mm Self-feed bit: 50 mm Hole saw: 101 mm	Auger bit: 38 mm Self-feed bit: 65 mm Hole saw: 127 mm
No load speed		0 - 1,400 min ⁻¹	0 - 450 min ⁻¹	0 - 1,400 min ⁻¹	0 - 450 min ⁻¹
Overall length (With battery cartridge BL1860B)		434 mm			
Rated voltage		D.C. 18 V			
Net weight		3.2 - 3.5 kg		3.0 - 3.3 kg	

- Due to our continuing program of research and development, the specifications herein are subject to change without notice.
- Specifications may differ from country to country.
- The weight may differ depending on the attachment(s), including the battery cartridge. The lightest and heaviest combinations, according to EPTA-Procedure 01/2014, are shown in the table.

Applicable battery cartridge and charger

Battery cartridge	BL1815N / BL1820B / BL1830B / BL1840B / BL1850B / BL1860B
Charger	DC18RC / DC18RD / DC18RE / DC18SD / DC18SE / DC18SF / DC18SH / DC18WC

- Some of the battery cartridges and chargers listed above may not be available depending on your region of residence.

⚠ WARNING: Only use the battery cartridges and chargers listed above. Use of any other battery cartridges and chargers may cause injury and/or fire.

Intended use

The tool is intended for drilling in wood, metal and plastic.

Noise

The typical A-weighted noise level determined according to EN62841-2-1:

Sound pressure level (L_{pA}) : 83 dB (A)

Sound power level (L_{WA}) : 94 dB (A)

Uncertainty (K) : 3 dB (A)

NOTE: The declared noise emission value(s) has been measured in accordance with a standard test method and may be used for comparing one tool with another.

NOTE: The declared noise emission value(s) may also be used in a preliminary assessment of exposure.

⚠ WARNING: Wear ear protection.

⚠ WARNING: The noise emission during actual use of the power tool can differ from the declared value(s) depending on the ways in which the tool is used especially what kind of workpiece is processed.

⚠ WARNING: Be sure to identify safety measures to protect the operator that are based on an estimation of exposure in the actual conditions of use (taking account of all parts of the operating cycle such as the times when the tool is switched off and when it is running idle in addition to the trigger time).

Vibration

The vibration total value (tri-axial vector sum) determined according to EN62841-2-1:

Work mode: drilling into metal

Vibration emission ($a_{h,D}$) : 2.5 m/s² or less

Uncertainty (K) : 1.5 m/s²

NOTE: The declared vibration total value(s) has been measured in accordance with a standard test method and may be used for comparing one tool with another.

NOTE: The declared vibration total value(s) may also be used in a preliminary assessment of exposure.

⚠️WARNING: The vibration emission during actual use of the power tool can differ from the declared value(s) depending on the ways in which the tool is used especially what kind of workpiece is processed.

⚠️WARNING: Be sure to identify safety measures to protect the operator that are based on an estimation of exposure in the actual conditions of use (taking account of all parts of the operating cycle such as the times when the tool is switched off and when it is running idle in addition to the trigger time).

EC Declaration of Conformity

For European countries only

The EC declaration of conformity is included as Annex A to this instruction manual.

SAFETY WARNINGS

General power tool safety warnings

⚠️WARNING: Read all safety warnings, instructions, illustrations and specifications provided with this power tool. Failure to follow all instructions listed below may result in electric shock, fire and/or serious injury.

Save all warnings and instructions for future reference.

The term "power tool" in the warnings refers to your mains-operated (corded) power tool or battery-operated (cordless) power tool.

Cordless drill safety warnings

Safety instructions for all operations

1. Use the auxiliary handle(s). Loss of control can cause personal injury.
2. Hold the power tool by insulated gripping surfaces, when performing an operation where the cutting accessory may contact hidden wiring. Cutting accessory contacting a "live" wire may make exposed metal parts of the power tool "live" and could give the operator an electric shock.
3. Always be sure you have a firm footing. Be sure no one is below when using the tool in high locations.
4. Hold the tool firmly.
5. Keep hands away from rotating parts.
6. Do not leave the tool running. Operate the tool only when hand-held.
7. Do not touch the drill bit or the workpiece immediately after operation; they may be extremely hot and could burn your skin.
8. Some material contains chemicals which may be toxic. Take caution to prevent dust inhalation and skin contact. Follow material supplier safety data.

9. If the drill bit cannot be loosened even you open the jaws, use pliers to pull it out. In such a case, pulling out the drill bit by hand may result in injury by its sharp edge.
10. If something wrong with the tool such as abnormal sounds, stop operating immediately and ask your local Makita Service Center for repair.
11. Before operation, make sure that there is no buried object such as electric pipe, water pipe or gas pipe in the ground. Otherwise, the tool may touch them, resulting an electric shock, electrical leakage or gas leak.

Safety instructions when using long drill bits

1. Never operate at higher speed than the maximum speed rating of the drill bit. At higher speeds, the bit is likely to bend if allowed to rotate freely without contacting the workpiece, resulting in personal injury.
2. Always start drilling at low speed and with the bit tip in contact with the workpiece. At higher speeds, the bit is likely to bend if allowed to rotate freely without contacting the workpiece, resulting in personal injury.
3. Apply pressure only in direct line with the bit and do not apply excessive pressure. Bits can bend causing breakage or loss of control, resulting in personal injury.

SAVE THESE INSTRUCTIONS.

⚠️WARNING: DO NOT let comfort or familiarity with product (gained from repeated use) replace strict adherence to safety rules for the subject product. MISUSE or failure to follow the safety rules stated in this instruction manual may cause serious personal injury.

Important safety instructions for battery cartridge

1. Before using battery cartridge, read all instructions and cautionary markings on (1) battery charger, (2) battery, and (3) product using battery.
2. Do not disassemble or tamper with the battery cartridge. It may result in a fire, excessive heat, or explosion.
3. If operating time has become excessively shorter, stop operating immediately. It may result in a risk of overheating, possible burns and even an explosion.
4. If electrolyte gets into your eyes, rinse them out with clear water and seek medical attention right away. It may result in loss of your eyesight.
5. Do not short the battery cartridge:
 - (1) Do not touch the terminals with any conductive material.
 - (2) Avoid storing battery cartridge in a container with other metal objects such as nails, coins, etc.
 - (3) Do not expose battery cartridge to water or rain.

A battery short can cause a large current flow, overheating, possible burns and even a breakdown.

6. Do not store and use the tool and battery cartridge in locations where the temperature may reach or exceed 50 °C (122 °F).
7. Do not incinerate the battery cartridge even if it is severely damaged or is completely worn out. The battery cartridge can explode in a fire.
8. Do not nail, cut, crush, throw, drop the battery cartridge, or hit against a hard object to the battery cartridge. Such conduct may result in a fire, excessive heat, or explosion.
9. Do not use a damaged battery.
10. The contained lithium-ion batteries are subject to the Dangerous Goods Legislation requirements.
For commercial transports e.g. by third parties, forwarding agents, special requirement on packaging and labeling must be observed.
For preparation of the item being shipped, consulting an expert for hazardous material is required.
Please also observe possibly more detailed national regulations.
Tape or mask off open contacts and pack up the battery in such a manner that it cannot move around in the packaging.
11. When disposing the battery cartridge, remove it from the tool and dispose of it in a safe place. Follow your local regulations relating to disposal of battery.
12. Use the batteries only with the products specified by Makita. Installing the batteries to non-compliant products may result in a fire, excessive heat, explosion, or leak of electrolyte.
13. If the tool is not used for a long period of time, the battery must be removed from the tool.
14. During and after use, the battery cartridge may take on heat which can cause burns or low temperature burns. Pay attention to the handling of hot battery cartridges.
15. Do not touch the terminal of the tool immediately after use as it may get hot enough to cause burns.
16. Do not allow chips, dust, or soil stuck into the terminals, holes, and grooves of the battery cartridge. It may cause heating, catching fire, burst and malfunction of the tool or battery cartridge, resulting in burns or personal injury.
17. Unless the tool supports the use near high-voltage electrical power lines, do not use the battery cartridge near high-voltage electrical power lines. It may result in a malfunction or breakdown of the tool or battery cartridge.
18. Keep the battery away from children.

SAVE THESE INSTRUCTIONS.

CAUTION: Only use genuine Makita batteries. Use of non-genuine Makita batteries, or batteries that have been altered, may result in the battery bursting causing fires, personal injury and damage. It will also void the Makita warranty for the Makita tool and charger.

Tips for maintaining maximum battery life

1. Charge the battery cartridge before completely discharged. Always stop tool operation and charge the battery cartridge when you notice less tool power.
2. Never recharge a fully charged battery cartridge. Overcharging shortens the battery service life.
3. Charge the battery cartridge with room temperature at 10 °C - 40 °C (50 °F - 104 °F). Let a hot battery cartridge cool down before charging it.
4. When not using the battery cartridge, remove it from the tool or the charger.
5. Charge the battery cartridge if you do not use it for a long period (more than six months).

FUNCTIONAL DESCRIPTION

CAUTION: Always be sure that the tool is switched off and the battery cartridge is removed before adjusting or checking function on the tool.

Installing or removing battery cartridge

CAUTION: Always switch off the tool before installing or removing of the battery cartridge.

CAUTION: Hold the tool and the battery cartridge firmly when installing or removing battery cartridge. Failure to hold the tool and the battery cartridge firmly may cause them to slip off your hands and result in damage to the tool and battery cartridge and a personal injury.

► Fig. 1: 1. Red indicator 2. Button 3. Battery cartridge

To remove the battery cartridge, slide it from the tool while sliding the button on the front of the cartridge.

To install the battery cartridge, align the tongue on the battery cartridge with the groove in the housing and slip it into place. Insert it all the way until it locks in place with a little click. If you can see the red indicator as shown in the figure, it is not locked completely.

CAUTION: Always install the battery cartridge fully until the red indicator cannot be seen. If not, it may accidentally fall out of the tool, causing injury to you or someone around you.

CAUTION: Do not install the battery cartridge forcibly. If the cartridge does not slide in easily, it is not being inserted correctly.

Indicating the remaining battery capacity

Only for battery cartridges with the indicator

► Fig.2: 1. Indicator lamps 2. Check button

Press the check button on the battery cartridge to indicate the remaining battery capacity. The indicator lamps light up for a few seconds.

Indicator lamps			Remaining capacity
Lighted	Off	Blinking	
■	□	▧	75% to 100%
■	■	■	
■	■	□	50% to 75%
■	■	□	25% to 50%
■	□	□	0% to 25%
▧	□	□	Charge the battery.
■	■	□	The battery may have malfunctioned.
□	□	■	

NOTE: Depending on the conditions of use and the ambient temperature, the indication may differ slightly from the actual capacity.

NOTE: The first (far left) indicator lamp will blink when the battery protection system works.

Tool / battery protection system

The tool is equipped with a tool/battery protection system. This system automatically cuts off power to the motor to extend tool and battery life. The tool will automatically stop during operation if the tool or battery is placed under one of the following conditions:

Overload protection

When the tool/battery is operated in a manner that causes it to draw an abnormally high current, the tool stops automatically. In this situation, turn the tool off and stop the application that caused the tool to become overloaded. Then turn the tool on to restart.

Overheat protection

When the tool/battery is overheated, the tool stops automatically and the lamp will blink. In this situation, let the tool cool down before turning the tool on again.

Overdischarge protection

When the battery capacity is not enough, the tool stops automatically. In this case, remove the battery from the tool and charge the battery.

Switch action

CAUTION: Before installing the battery cartridge into the tool, always check to see that the switch trigger actuates properly and returns to the "OFF" position when released.

► Fig.3: 1. Switch trigger

To start the tool, pull the switch trigger. Tool speed is increased by increasing pressure on the switch trigger. Release the switch trigger to stop.

NOTE: The tool automatically stops if you keep pulling the switch trigger for about 6 minutes.

Lighting up the front lamp

CAUTION: Do not look in the light or see the source of light directly.

► Fig.4: 1. Lamp

Pull the switch trigger to light up the lamp. The lamp keeps on lighting while the switch trigger is being pulled. The lamp goes out approximately 10 seconds after releasing the switch trigger.

NOTE: When the tool is overheated, the tool stops automatically and the lamp starts flashing. In this case, release the switch trigger. The lamp turns off in 1 minute(s).

NOTE: Use a dry cloth to wipe the dirt off the lens of the lamp. Be careful not to scratch the lens of lamp, or it may lower the illumination.

Reversing switch action

CAUTION: Always check the direction of rotation before operation.

CAUTION: Use the reversing switch only after the tool comes to a complete stop. Changing the direction of rotation before the tool stops may damage the tool.

CAUTION: When not operating the tool, always set the reversing switch lever to the neutral position.

This tool has a reversing switch to change the direction of rotation. Depress the reversing switch lever from the A side for clockwise rotation or from the B side for counterclockwise rotation.

When the reversing switch lever is in the neutral position, the switch lever cannot be pulled.

► Fig.5: 1. Reversing switch lever

Speed change

NOTICE: Use the speed change knob only after the tool comes to a complete stop. Changing the tool speed before the tool stops may damage the tool.

NOTICE: Always set the speed change knob carefully into the correct position. If you operate the tool with the speed change knob positioned halfway between the position 1 and the position 2, the tool may be damaged.

NOTICE: If the rotation speed significantly decreases during operation in the high speed mode, stop the tool and change the mode to the low speed mode. Otherwise, the motor may get overloaded and cause a malfunction or fire.

Two speed ranges can be preselected with the speed change knob.

To change the speed, turn the speed change knob so that the pointer points to the position 1 for low speed mode or the position 2 for high speed mode.

► **Fig.6:** 1. Pointer 2. Speed change knob

Electronic function

Electric brake

This tool is equipped with an electric brake. If the tool consistently fails to quickly cease to function after the switch trigger is released, have the tool serviced at a Makita service center.

Soft start feature

This function allows the smooth start-up of the tool by limiting the start-up torque.

ASSEMBLY

CAUTION: Always be sure that the tool is switched off and the battery cartridge is removed before carrying out any work on the tool.

Installing side grip (auxiliary handle)

CAUTION: Always be sure that the side grip is installed securely before operation.

Screw the side grip on the tool securely. The side grip can be installed on either side of the tool, whichever is convenient.

► **Fig.7:** 1. Side grip

Installing key holder

(Country specific)

CAUTION: Always be sure that the key holder is installed securely before operation.

Screw the key holder on the tool securely. Then place the chuck key in position.

► **Fig.8:** 1. Key holder 2. Screw 3. Chuck key

Installing or removing drill bit

For model DDA450

To install the drill bit, place it in the chuck as far as it will go. Tighten the chuck by hand. Place the chuck key in each of the three holes and tighten clockwise. Be sure to tighten all three chuck holes evenly.

To remove the drill bit, turn the chuck key counterclockwise in just one hole, then loosen the chuck by hand.

► **Fig.9:** 1. Chuck key

After use, return the chuck key to the key holder on the tool as illustrated.

► **Fig.10:** 1. Key holder

For model DDA451

Use only the drill bit designed with dimensions shown in the figure.

A=11.2 mm (7/16")

► **Fig.11**

To install the drill bit, pull the sleeve in the direction of the arrow and insert the drill bit into the sleeve as far as it will go.

Then release the sleeve to secure the drill bit.

To remove the drill bit, pull the sleeve in the direction of the arrow and pull the drill bit out.

► **Fig.12:** 1. Drill bit 2. Sleeve

NOTE: If the drill bit is not inserted deep enough into the sleeve, the sleeve will not return to its original position and the drill bit will not be secured. In this case, try re-inserting the drill bit according to the instructions above.

NOTE: After inserting the drill bit, make sure that it is firmly secured. If it comes out, do not use it.

Hook

CAUTION: Always remove the battery when hanging the tool with the hook.

CAUTION: Never hook the tool at high location or on potentially unstable surface.

The hook is convenient for temporarily hanging the tool. To use the hook, simply lift up hook until it snaps into the open position. When not in use, always lower hook until it snaps into the closed position.

► **Fig.13:** 1. Hook

► **Fig.14**

Connecting lanyard (tether strap) to the hook

⚠ CAUTION: Do not use damaged hook and screws. Before use, always check for damages, cracks or deformations, and make sure that the screws are tightened.

⚠ CAUTION: Make sure that the hook is securely installed with the screws.

⚠ CAUTION: Do not install or remove any accessory while hanging the tool. The tool may fall if the screws are not tightened.

⚠ CAUTION: Always use a locking carabiner (multi-action and screw gate type) and be sure to attach the lanyard (tether strap) to the double looped portion of the hook. Improper attachment may cause tool drop from the hook and result in personal injury.

The hook is also used for connecting the lanyard (tether strap). Be sure to connect the lanyard (tether strap) to the double looped portion of the hook.

- **Fig.15:** 1. Double looped portion of the hook
2. Lanyard (tether strap) 3. Locking carabiner (multi-action and screw gate type)

OPERATION

⚠ CAUTION: Always insert the battery cartridge all the way until it locks in place. If you can see the red indicator on the upper side of the button, it is not locked completely. Insert it fully until the red indicator cannot be seen. If not, it may accidentally fall out of the tool, causing injury to you or someone around you.

⚠ CAUTION: When the speed comes down extremely, reduce the load or stop the tool to avoid the tool damage.

⚠ CAUTION: Hold the tool firmly when operating the tool.

Holding tool

⚠ CAUTION: This is a powerful tool. High torque is developed and it is important that the tool should be securely held and properly braced.

Grasp the handle with one hand and the front handle with the other hand.

- **Fig.16:** 1. Front handle 2. Handle

Drilling operation

Drilling in wood

When drilling in wood, the best results are obtained with wood drills equipped with a guide screw. The guide screw makes drilling easier by pulling the drill bit into the workpiece.

Drilling in metal

To prevent the drill bit from slipping when starting a hole, make an indentation with a center-punch and hammer at the point to be drilled. Place the point of the drill bit in the indentation and start drilling. Use a cutting lubricant when drilling metals. The exceptions are iron and brass which should be drilled dry.

⚠ CAUTION: Pressing excessively on the tool will not speed up the drilling. In fact, this excessive pressure will only serve to damage the tip of your drill bit, decrease the tool performance and shorten the service life of the tool.

⚠ CAUTION: Hold the tool firmly and exert care when the drill bit begins to break through the workpiece. There is a tremendous force exerted on the tool/drill bit at the time of hole break through.

⚠ CAUTION: A stuck drill bit can be removed simply by setting the reversing switch to reverse rotation in order to back out. However, the tool may back out abruptly if you do not hold it firmly.

⚠ CAUTION: Always secure workpieces in a vise or similar hold-down device.

⚠ CAUTION: Avoid drilling in material that you suspect contains hidden nails or other things that may cause the drill bit to bind or break.

⚠ CAUTION: If the tool is operated continuously until the battery cartridge has discharged, allow the tool to rest for 15 minutes before proceeding with a fresh battery.

Lanyard (tether strap) connection

⚠ Safety warnings specific for use at height
Read all safety warnings and instructions. Failure to follow the warnings and instructions may result in serious injury.

1. Always keep the tool tethered when working "at height". Maximum lanyard length is 2 m (6.5 ft). The maximum permissible fall height for lanyard (tether strap) must not exceed 2 m (6.5 ft).
2. Use only with lanyards appropriate for this tool type and rated for at least 5.0 kg (11.0 lbs).
3. Do not anchor the tool lanyard to anything on your body or on movable components. Anchor the tool lanyard to a rigid structure that can withstand the forces of a dropped tool.
4. Make sure the lanyard is properly secured at each end prior to use.
5. Inspect the tool and lanyard before each use for damage and proper function (including fabric and stitching). Do not use if damaged or not functioning properly.
6. Do not wrap lanyards around or allow them to come in contact with sharp or rough edges.
7. Fasten the other end of the lanyard outside the working area so that a falling tool is held securely.
8. Attach the lanyard so that the tool will move away from the operator if it falls. Dropped tools will swing on the lanyard, which could cause injury or loss of balance.

9. **Do not use near moving parts or running machinery.** Failure to do so may result in a crush or entanglement hazard.
10. **Do not carry the tool by the attachment device or the lanyard.**
11. **Only transfer the tool between your hands while you are properly balanced.**
12. **Do not attach lanyards to the tool in a way that keeps guards, switches or lock-offs from operating properly.**
13. **Avoid getting tangled in the lanyard.**
14. **Keep lanyard away from the cutting area of the tool.**
15. **Use multi-action and screw gate type carabineers. Do not use single action spring clip carabineers.**
16. **In the event the tool is dropped, it must be tagged and removed from service, and should be inspected by a Makita Factory or Authorized Service Center.**

MAINTENANCE

⚠ CAUTION: Always be sure that the tool is switched off and the battery cartridge is removed before attempting to perform inspection or maintenance.

NOTICE: Never use gasoline, benzine, thinner, alcohol or the like. Discoloration, deformation or cracks may result.

To maintain product SAFETY and RELIABILITY, repairs, any other maintenance or adjustment should be performed by Makita Authorized or Factory Service Centers, always using Makita replacement parts.

OPTIONAL ACCESSORIES

⚠ CAUTION: These accessories or attachments are recommended for use with your Makita tool specified in this manual. The use of any other accessories or attachments might present a risk of injury to persons. Only use accessory or attachment for its stated purpose.

If you need any assistance for more details regarding these accessories, ask your local Makita Service Center.

- Drill bits
- Makita genuine battery and charger

NOTE: Some items in the list may be included in the tool package as standard accessories. They may differ from country to country.

SPÉCIFICATIONS

Modèle :		DDA450		DDA451	
Vitesse d'engrenage		Élevée	Basse	Élevée	Basse
Capacités de perçage	Acier	13 mm			
	Bois	Mèche hélicoïdale : 38 mm Foret à auto-avance : 50 mm Scie cloche : 101 mm	Mèche hélicoïdale : 38 mm Foret à auto-avance : 65 mm Scie cloche : 127 mm	Mèche hélicoïdale : 38 mm Foret à auto-avance : 50 mm Scie cloche : 101 mm	Mèche hélicoïdale : 38 mm Foret à auto-avance : 65 mm Scie cloche : 127 mm
	Vitesse à vide	0 - 1 400 min ⁻¹	0 - 450 min ⁻¹	0 - 1 400 min ⁻¹	0 - 450 min ⁻¹
	Longueur totale (avec batterie BL1860B)	434 mm			
Tension nominale		18 V C.C.			
Poids net		3,2 - 3,5 kg		3,0 - 3,3 kg	

- Étant donné l'évolution constante de notre programme de recherche et de développement, les spécifications contenues dans ce manuel sont sujettes à modification sans préavis.
- Les spécifications peuvent varier suivant les pays.
- Le poids peut être différent selon les accessoires, notamment la batterie. Les associations la plus légère et la plus lourde, conformément à la procédure EPTA 01/2014, sont indiquées dans le tableau.

Batterie et chargeur applicables

Batterie	BL1815N / BL1820B / BL1830B / BL1840B / BL1850B / BL1860B
Chargeur	DC18RC / DC18RD / DC18RE / DC18SD / DC18SE / DC18SF / DC18SH / DC18WC

- Certains chargeurs et batteries répertoriés ci-dessus peuvent ne pas être disponibles selon la région où vous résidez.

⚠ AVERTISSEMENT : N'utilisez que les batteries et les chargeurs répertoriés ci-dessus. L'utilisation d'autres batteries et chargeurs peut provoquer des blessures et/ou un incendie.

Utilisations

L'outil est conçu pour percer dans le bois, le métal et le plastique.

Bruit

Niveau de bruit pondéré A typique, déterminé selon EN62841-2-1 :
 Niveau de pression sonore (L_{pA}) : 83 dB (A)
 Niveau de puissance sonore (L_{WA}) : 94 dB (A)
 Incertitude (K) : 3 dB (A)

NOTE : La ou les valeurs d'émission de bruit déclarées ont été mesurées conformément à la méthode de test standard et peuvent être utilisées pour comparer les outils entre eux.

NOTE : La ou les valeurs d'émission de bruit déclarées peuvent aussi être utilisées pour l'évaluation préliminaire de l'exposition.

⚠ AVERTISSEMENT : Portez un serre-tête antibruit.

⚠ AVERTISSEMENT : L'émission de bruit lors de l'usage réel de l'outil électrique peut être différente de la ou des valeurs déclarées, suivant la façon dont l'outil est utilisé, particulièrement selon le type de pièce usinée.

⚠ AVERTISSEMENT : Les mesures de sécurité à prendre pour protéger l'utilisateur doivent être basées sur une estimation de l'exposition dans des conditions réelles d'utilisation (en tenant compte de toutes les composantes du cycle d'utilisation, comme par exemple le moment de sa mise hors tension, lorsqu'il tourne à vide et le moment de son déclenchement).

Vibrations

Valeur totale de vibrations (somme de vecteur triaxial) déterminée selon EN62841-2-1 :
 Mode de travail : perçage dans le métal
 Émission de vibrations ($a_{h,D}$) : 2,5 m/s² ou moins
 Incertitude (K) : 1,5 m/s²

NOTE : La ou les valeurs de vibration totales déclarées ont été mesurées conformément à la méthode de test standard et peuvent être utilisées pour comparer les outils entre eux.

NOTE : La ou les valeurs de vibration totales déclarées peuvent aussi être utilisées pour l'évaluation préliminaire de l'exposition.

⚠ AVERTISSEMENT : L'émission de vibrations lors de l'usage réel de l'outil électrique peut être différente de la ou des valeurs déclarées, suivant la façon dont l'outil est utilisé, particulièrement selon le type de pièce usinée.

⚠ AVERTISSEMENT : Les mesures de sécurité à prendre pour protéger l'utilisateur doivent être basées sur une estimation de l'exposition dans des conditions réelles d'utilisation (en tenant compte de toutes les composantes du cycle d'utilisation, comme par exemple le moment de sa mise hors tension, lorsqu'il tourne à vide et le moment de son déclenchement).

Déclaration de conformité CE

Pour les pays européens uniquement

La déclaration de conformité CE est fournie en Annexe A à ce mode d'emploi.

CONSIGNES DE SÉCURITÉ

Consignes de sécurité générales pour outils électriques

⚠ AVERTISSEMENT : Veuillez lire les consignes de sécurité, instructions, illustrations et spécifications qui accompagnent cet outil électrique. Le non-respect de toutes les instructions indiquées ci-dessous peut entraîner une électrocution, un incendie et/ou de graves blessures.

Conservez toutes les mises en garde et instructions pour référence ultérieure.

Le terme « outil électrique » dans les avertissements fait référence à l'outil électrique alimenté par le secteur (avec cordon d'alimentation) ou à l'outil électrique fonctionnant sur batterie (sans cordon d'alimentation).

Consignes de sécurité pour perceuse sans fil

Consignes de sécurité pour toutes les tâches

1. **Utilisez la ou les poignées auxiliaires.** Toute perte de maîtrise de l'outil comporte un risque de blessure.
2. **Tenez l'outil électrique par des surfaces de prise isolées lorsque vous effectuez une tâche au cours de laquelle l'accessoire de coupe peut entrer en contact avec des fils cachés.** Le contact de l'accessoire de coupe avec un fil sous tension peut transmettre du courant dans les pièces métalliques exposées de l'outil et électrocuter l'opérateur.

3. **Assurez-vous toujours de travailler en position stable. Veillez à ce que personne ne se trouve en dessous de vous quand vous utilisez l'outil en hauteur.**
4. **Tenez l'outil fermement.**
5. **Gardez les mains éloignées des pièces en rotation.**
6. **Ne vous éloignez pas en laissant l'outil tourner. Ne le faites fonctionner que lorsque vous l'avez bien en main.**
7. **Ne touchez pas le foret ou la pièce immédiatement après l'exécution du travail ; ils peuvent être extrêmement chauds et vous brûler la peau.**
8. **Certains matériaux contiennent des produits chimiques qui peuvent être toxiques. Prenez garde de ne pas avaler la poussière et évitez tout contact avec la peau. Suivez les données de sécurité du fournisseur du matériau.**
9. **Si le foret ne peut pas être desserré même en ouvrant la mâchoire, utilisez des pinces pour l'extirper.** Le bord tranchant du foret risque de vous blesser si vous essayez de l'extirper manuellement.
10. **En cas d'anomalie de l'outil comme des bruits inhabituels, cessez immédiatement de l'utiliser et sollicitez une réparation à votre centre d'entretien local Makita.**
11. **Avant utilisation, assurez-vous qu'aucun objet comme des conduites électriques, des tuyaux d'eau ou de gaz ne sont enterrés dans le sol.** Sinon, l'outil peut entrer en contact avec un tel objet, ce qui peut entraîner une électrocution, une fuite électrique ou une fuite de gaz.

Consignes de sécurité en cas d'utilisation de forets longs

1. **Ne faites jamais fonctionner l'outil à une vitesse supérieure à la vitesse nominale maximale du foret.** À une vitesse plus élevée, le foret risque de se tordre s'il lui est permis de tourner librement sans toucher la pièce, ce qui présente un risque de blessure.
2. **Commencez toujours le perçage à basse vitesse avec la pointe du foret en contact avec la pièce.** À une vitesse plus élevée, le foret risque de se tordre s'il lui est permis de tourner librement sans toucher la pièce, ce qui présente un risque de blessure.
3. **Appliquez une pression uniquement en ligne directe avec le foret et n'exercez pas une pression excessive.** Les forets peuvent se tordre et se casser ou provoquer la perte de contrôle, ce qui présente un risque de blessure.

CONSERVEZ CES INSTRUCTIONS.

⚠ AVERTISSEMENT : NE vous laissez PAS tromper (au fil d'une utilisation répétée) par un sentiment d'aisance et de familiarité avec le produit, en négligeant le respect rigoureux des consignes de sécurité qui accompagnent le produit en question. La MAUVAISE UTILISATION de l'outil ou l'ignorance des consignes de sécurité indiquées dans ce mode d'emploi peut entraîner de graves blessures.

Consignes de sécurité importantes pour la batterie

1. **Avant d'utiliser la batterie, lisez toutes les instructions et précautions relatives (1) au chargeur de batterie, (2) à la batterie, et (3) au produit utilisant la batterie.**
2. **Ne désassemblez pas et ne modifiez pas la batterie.** Cela pourrait entraîner un incendie, une chaleur excessive ou une explosion.
3. **Cessez immédiatement l'utilisation si le temps de fonctionnement devient excessivement court.** Il y a risque de surchauffe, de brûlures, voire d'explosion.
4. **Si l'électrolyte pénètre dans vos yeux, rincez-les à l'eau claire et consultez immédiatement un médecin.** Il y a risque de perte de la vue.
5. **Ne court-circuitez pas la batterie :**
 - (1) **Ne touchez pas les bornes avec aucun matériau conducteur.**
 - (2) **Évitez de ranger la batterie dans un conteneur avec d'autres objets métalliques, par exemple des clous, des pièces de monnaie, etc.**
 - (3) **N'exposez pas la batterie à l'eau ou à la pluie.**

Un court-circuit de la batterie peut provoquer une intensité de courant élevée, une surchauffe, parfois des brûlures et même une panne.

6. **Ne rangez ni n'utilisez l'outil et la batterie dans un endroit où la température risque d'atteindre ou de dépasser 50 °C.**
7. **Ne jetez pas la batterie au feu même si elle est sérieusement endommagée ou complètement épuisée. La batterie peut exploser au contact du feu.**
8. **Abstenez-vous de clouer, couper, écraser, jeter, laisser tomber la batterie, ou de la heurter contre un objet dur.** Cela pourrait entraîner un incendie, une chaleur excessive ou une explosion.
9. **N'utilisez pas la batterie si elle est endommagée.**
10. **Les batteries au lithium-ion contenues sont soumises aux exigences de la législation sur les marchandises dangereuses.**

Lors du transport commercial par des tierces parties ou des transitaires par exemple, des exigences spécifiques en matière d'étiquetage et d'emballage doivent être respectées.

Pour la préparation de l'article expédié, il est nécessaire de consulter un expert en matériau dangereux. Veuillez également respecter les réglementations nationales susceptibles d'être plus détaillées.

Recouvrez les contacts exposés avec du ruban adhésif ou du ruban de masquage et emballez la batterie de telle sorte qu'elle ne puisse pas bouger dans l'emballage.
11. **Lors de la mise au rebut de la batterie, retirez-la de l'outil et jetez-la en lieu sûr. Suivez les réglementations locales en matière de mise au rebut des batteries.**

12. **Utilisez les batteries uniquement avec les produits spécifiés par Makita.** L'insertion de batteries dans des produits non conformes peut provoquer un incendie, une chaleur excessive, une explosion ou une fuite de l'électrolyte.
13. **Lorsque vous n'utilisez pas l'outil pendant une période prolongée, la batterie doit être retirée de l'outil.**
14. **Pendant et après l'utilisation, la batterie peut chauffer, ce qui peut entraîner des brûlures, y compris en cas de température relativement basse. Manipulez les batteries chaudes avec précaution.**
15. **Ne touchez pas la borne de l'outil immédiatement après utilisation car elle peut être assez chaude pour provoquer des brûlures.**
16. **Évitez que des copeaux, de la poussière ou du sol adhèrent aux bornes, aux trous et aux rainures de la batterie.** Cela peut provoquer un échauffement, un incendie, une explosion ou un dysfonctionnement de l'outil ou de la batterie, ce qui peut entraîner des brûlures ou des blessures.
17. **À moins que l'outil prenne en charge un tel usage, n'utilisez pas la batterie à proximité de lignes électriques haute tension.** Cela pourrait entraîner un dysfonctionnement ou casser l'outil ou la batterie.
18. **Conservez la batterie hors de portée des enfants.**

CONSERVEZ CES INSTRUCTIONS.

ATTENTION : N'utilisez que des batteries Makita d'origine. L'utilisation de batteries de marque autre que Makita ou de batteries modifiées peut provoquer l'explosion des batteries, ce qui présente un risque d'incendie, de dommages matériels et corporels. Cela annulera également la garantie Makita pour l'outil et le chargeur Makita.

Conseils pour assurer la durée de vie optimale de la batterie

1. **Chargez la batterie avant qu'elle ne soit complètement déchargée. Arrêtez toujours l'outil et rechargez la batterie quand vous remarquez que la puissance de l'outil diminue.**
2. **Ne rechargez jamais une batterie complètement chargée. La surcharge réduit la durée de service de la batterie.**
3. **Chargez la batterie à une température ambiante comprise entre 10 °C et 40 °C. Avant de charger une batterie chaude, laissez-la refroidir.**
4. **Lorsque vous n'utilisez pas la batterie, retirez-la de l'outil ou du chargeur.**
5. **Rechargez la batterie si elle est restée inutilisée pendant une période prolongée (plus de six mois).**

DESCRIPTION DU FONCTIONNEMENT

ATTENTION : Assurez-vous toujours que l'outil est hors tension et que sa batterie est retirée avant de l'ajuster ou de vérifier son fonctionnement.

Insertion ou retrait de la batterie

ATTENTION : Éteignez toujours l'outil avant de mettre en place ou de retirer la batterie.

ATTENTION : Tenez fermement l'outil et la batterie lors de la mise en place ou du retrait de la batterie. Si vous ne tenez pas fermement l'outil et la batterie, ils peuvent vous glisser des mains, et s'abîmer ou vous blesser.

► Fig.1: 1. Indicateur rouge 2. Bouton 3. Batterie

Pour retirer la batterie, faites-la glisser hors de l'outil tout en faisant glisser le bouton à l'avant de la batterie.

Pour mettre la batterie en place, alignez la languette de la batterie avec la rainure du compartiment puis insérez la batterie. Insérez-la entièrement jusqu'à entendre un léger dé clic indiquant qu'elle est bien en place. Si vous pouvez voir l'indicateur rouge comme illustré sur la figure, c'est qu'elle n'est pas bien verrouillée.

ATTENTION : Insérez toujours complètement la batterie jusqu'à ce que l'indicateur rouge ne soit plus visible. Sinon, elle pourrait tomber accidentellement de l'outil, au risque de vous blesser ou de blesser quelqu'un se trouvant près de vous.

ATTENTION : N'insérez pas la batterie de force. Si elle ne glisse pas facilement, c'est que vous ne l'insérez pas correctement.

Indication de la charge restante de la batterie

Uniquement pour les batteries avec voyant lumineux

► Fig.2: 1. Témoins 2. Bouton de vérification

Appuyez sur le bouton de vérification sur la batterie pour indiquer la charge restante de la batterie. Les témoins s'allument pendant quelques secondes.

Témoins			Charge restante
Allumé	Éteint	Clignotant	
■	□	◐	75 % à 100 %
■	■	□	
■	■	□	50 % à 75 %
■	□	□	
■	□	□	25 % à 50 %
■	□	□	
■	□	□	0 % à 25 %
■	□	□	
◐	□	□	Chargez la batterie.

Témoins			Charge restante
Allumé	Éteint	Clignotant	
■	□	◐	Anomalie possible de la batterie.
■	■	□	
□	□	■	

NOTE : Selon les conditions d'utilisation et la température ambiante, l'indication peut être légèrement différente de la capacité réelle.

NOTE : Le premier témoin (complètement à gauche) clignotera pendant le fonctionnement du système de protection de la batterie.

Système de protection de l'outil/la batterie

L'outil est équipé d'un système de protection de l'outil/la batterie. Ce système coupe automatiquement l'alimentation vers le moteur pour prolonger la durée de vie de l'outil et de la batterie. Si l'outil ou la batterie se trouve dans l'une des situations suivantes, l'outil cessera automatiquement de fonctionner.

Protection contre la surcharge

Lorsque l'outil/la batterie est utilisé(e) d'une manière provoquant un appel de courant anormalement élevé, l'outil s'arrête automatiquement. Dans ce cas, éteignez l'outil et arrêtez la tâche ayant provoqué la surcharge de l'outil. Puis rallumez l'outil pour reprendre la tâche.

Protection contre la surchauffe

En cas de surchauffe de l'outil ou de la batterie, l'outil s'arrête automatiquement et le témoin se met à clignoter. Dans ce cas, laissez l'outil refroidir avant de le rallumer.

Protection contre la décharge totale de la batterie

Lorsque la charge de la batterie est insuffisante, l'outil s'arrête automatiquement. Dans ce cas, retirez la batterie de l'outil et chargez-la.

Fonctionnement de la gâchette

ATTENTION : Avant d'insérer la batterie dans l'outil, vérifiez toujours que la gâchette fonctionne bien et revient en position d'arrêt lorsque vous la relâchez.

► Fig.3: 1. Gâchette

Pour démarrer l'outil, enclenchez la gâchette. La vitesse de l'outil augmente à mesure que vous augmentez la pression exercée sur la gâchette. Pour arrêter l'outil, relâchez la gâchette.

NOTE : L'outil s'arrêtera automatiquement si vous continuez d'enclencher la gâchette pendant 6 minutes environ.

Allumage de la lampe avant

⚠ ATTENTION : Évitez de regarder directement le faisceau lumineux ou sa source.

► Fig.4: 1. Lampe

Enclenchez la gâchette pour allumer la lampe. La lampe reste allumée tant que la gâchette est enclenchée. La lampe s'éteint environ 10 secondes après avoir relâché la gâchette.

NOTE : En cas de surchauffe de l'outil, il s'arrête automatiquement et la lampe se met à clignoter. Si cela se produit, relâchez la gâchette. La lampe s'éteindra après 1 minute(s).

NOTE : Retirez la saleté sur la lentille de la lampe avec un chiffon sec. Prenez soin de ne pas érafler la lentille de la lampe sous peine de diminuer son éclairage.

Fonctionnement de l'inverseur

⚠ ATTENTION : Vérifiez toujours le sens de rotation avant d'utiliser l'outil.

⚠ ATTENTION : N'utilisez l'inverseur qu'une fois que l'outil est complètement arrêté. Si vous changez le sens de rotation avant l'arrêt de l'outil, vous risquez de l'endommager.

⚠ ATTENTION : Lorsque vous n'utilisez pas l'outil, placez toujours le levier de l'inverseur en position neutre.

L'outil possède un inverseur qui permet de changer le sens de rotation. Enfoncez le levier de l'inverseur du côté A pour une rotation dans le sens des aiguilles d'une montre, ou du côté B pour une rotation dans le sens inverse des aiguilles d'une montre. Le levier interrupteur ne peut pas être enclenché si le levier inverseur se trouve en position neutre.

► Fig.5: 1. Levier de l'inverseur

Changement de vitesse

REMARQUE : N'utilisez le bouton de changement de vitesse qu'une fois l'outil complètement arrêté. Si vous changez la vitesse de l'outil avant l'arrêt de l'outil, vous risquez de l'endommager.

REMARQUE : Mettez toujours le bouton de changement de vitesse soigneusement sur la bonne position. En utilisant l'outil avec le bouton de changement de vitesse placé à mi-chemin entre la position 1 et la position 2, vous risquez d'endommager l'outil.

REMARQUE : Si la vitesse de rotation diminue considérablement pendant le fonctionnement en mode grande vitesse, arrêtez l'outil et réglez le mode sur le mode basse vitesse. Autrement, cela pourrait provoquer la surcharge du moteur et entraîner un dysfonctionnement ou un incendie.

Deux plages de vitesse peuvent être présélectionnées avec le bouton de changement de vitesse.

Pour changer la vitesse, tournez le bouton de changement de vitesse de sorte que le repère se trouve face à la position 1 pour le mode petite vitesse ou à la position 2 pour le mode grande vitesse.

► Fig.6: 1. Index 2. Bouton de changement de vitesse

Fonction électronique

Frein électrique

Cet outil est équipé d'un frein électrique. Si systématiquement, le relâchement de la gâchette n'entraîne pas un arrêt rapide de l'outil, adressez-vous à un centre de service Makita pour faire réparer l'outil.

Fonction de démarrage en douceur

Cette fonction permet le démarrage en douceur de l'outil en limitant le couple de démarrage.

ASSEMBLAGE

⚠ ATTENTION : Assurez-vous toujours que l'outil est hors tension et que sa batterie est retirée avant d'effectuer toute tâche dessus.

Pose de la poignée latérale (poignée auxiliaire)

⚠ ATTENTION : Avant l'utilisation, assurez-vous toujours que la poignée latérale est fermement posée.

Vissez solidement la poignée latérale sur l'outil. La poignée latérale peut être installée d'un côté ou de l'autre de l'outil, selon ce qui est le plus pratique.

► Fig.7: 1. Poignée latérale

Installation du porte-clé

(Propre au pays)

⚠ ATTENTION : Avant utilisation, assurez-vous toujours que le porte-clé est bien installé.

Vissez correctement le porte-clé sur l'outil. Ensuite, mettez la clé de mandrin en place.

► Fig.8: 1. Porte-clé 2. Vis 3. Clé de mandrin

Pose ou retrait du foret

Pour le modèle DDA450

Pour installer le foret, insérez-le complètement dans le mandrin. Serrez le mandrin manuellement. Placez la clé de mandrin dans chacun des trois orifices et serrez dans le sens des aiguilles d'une montre. Assurez-vous de serrer les trois orifices du mandrin de manière uniforme.

Pour retirer le foret, tournez la clé de mandrin dans le sens inverse des aiguilles d'une montre dans un seul orifice, puis desserrez manuellement le mandrin.

► Fig.9: 1. Clé de mandrin

Après utilisation, remplacez la clé de mandrin dans le porte-clé présent sur l'outil comme illustré.

► Fig.10: 1. Porte-clé

Pour le modèle DDA451

Utilisez uniquement le foret conçu avec les dimensions indiquées sur la figure.

A=11,2 mm (7/16")

► Fig.11

Pour installer le foret, tirez sur le manchon dans le sens de la flèche et insérez le foret dans le manchon au maximum. Puis relâchez le manchon pour maintenir le foret.

Pour retirer le foret, tirez sur le manchon dans le sens de la flèche et sortez le foret.

► Fig.12: 1. Foret 2. Manchon

NOTE : Si le foret n'est pas inséré assez profondément dans le manchon, celui-ci ne revient pas à sa position d'origine et le foret ne se trouve pas bien fixé. Dans ce cas, essayez d'insérer à nouveau le foret conformément aux instructions ci-dessus.

NOTE : Après avoir inséré le foret, assurez-vous qu'il est solidement fixé. Ne l'utilisez pas s'il sort.

Crochet

ATTENTION : Retirez toujours la batterie lorsque l'outil est suspendu par son crochet.

ATTENTION : N'accrochez jamais l'outil dans un emplacement élevé ou sur une surface potentiellement instable.

Le crochet est pratique pour suspendre momentanément l'outil. Pour utiliser le crochet, il suffit de le soulever jusqu'à ce qu'il passe en position ouverte. Lorsque vous ne l'utilisez pas, abaissez toujours le crochet jusqu'à ce qu'il passe en position fermée.

► Fig.13: 1. Crochet

► Fig.14

Raccordement de la longe (sangle de retenue) au crochet

ATTENTION : N'utilisez pas de crochet et de vis endommagés. Avant utilisation, vérifiez toujours l'absence de dommages, fissures ou déformations, et assurez-vous que les vis sont bien serrées.

ATTENTION : Assurez-vous que le crochet est bien installé avec les vis.

ATTENTION : N'installez et ne retirez aucun accessoire lorsque l'outil est suspendu. L'outil pourrait tomber si les vis ne sont pas serrées.

ATTENTION : Utilisez toujours un mousqueton à verrouillage (à bague vissée et à ouverture multi-action(s)) et veillez à raccorder la longe (sangle de retenue) à la partie à double boucle du crochet. Un raccordement incorrect peut entraîner le détachement de l'outil du crochet et sa chute, ce qui pourrait vous blesser.

Le crochet est également utilisé pour raccorder la longe (sangle de retenue). Veillez à raccorder la longe (sangle de retenue) à la partie à double boucle du crochet.

► Fig.15: 1. Partie à double boucle du crochet 2. Longe (sangle de retenue) 3. Mousqueton à verrouillage (bague vissée et à ouverture multi-action(s))

UTILISATION

ATTENTION : Insérez toujours la batterie à fond jusqu'à ce qu'elle se verrouille en place. Si le voyant rouge sur le dessus du bouton est visible, cela signifie qu'elle n'est pas bien verrouillée. Insérez-la complètement jusqu'à ce que le voyant rouge ne soit plus visible. Sinon, elle pourrait tomber accidentellement de l'outil, au risque de vous blesser ou de blesser quelqu'un se trouvant près de vous.

ATTENTION : Lorsque la vitesse diminue considérablement, réduisez la charge ou arrêtez l'outil pour éviter de l'abîmer.

ATTENTION : Tenez l'outil fermement lorsque vous l'utilisez.

Prise en main de l'outil

ATTENTION : Il s'agit d'un outil puissant. Un couple élevé étant produit, il est important que l'outil soit fermement maintenu et correctement calé.

Tenez la poignée d'une main et la poignée avant de l'autre main.

► Fig.16: 1. Poignée avant 2. Poignée

Perçage

Perçage dans le bois

Lorsque vous percez dans le bois, vous obtiendrez un résultat optimal avec un foret à bois équipé d'une vis de guidage. La vis de guidage facilite le perçage en entraînant le foret dans la pièce.

Perçage dans le métal

Pour que le foret ne glisse pas quand vous commencez à percer le trou, faites une entaille à l'aide d'un pointeau et d'un marteau à l'emplacement prévu pour le trou. Placez la pointe du foret dans l'entaille et commencez à percer.

Utilisez un lubrifiant de coupe pour percer les métaux. Seuls le fer et le laiton doivent être percés à sec.

⚠ATTENTION : Une pression excessive sur l'outil n'accélèrera pas le perçage. En fait, la pression excessive abîmera la pointe du foret, provoquera une baisse de rendement de l'outil et réduira sa durée de service.

⚠ATTENTION : Tenez l'outil fermement et redoublez d'attention lorsque le foret commence à sortir par la face opposée de la pièce. Une très grande force s'exerce sur l'outil/foret lorsque celui-ci émerge sur la face opposée.

⚠ATTENTION : Un foret coincé peut être retiré en réglant simplement l'inverseur sur la rotation inverse pour faire marche arrière. L'outil peut toutefois faire brusquement marche arrière si vous ne le tenez pas fermement.

⚠ATTENTION : Immobilisez toujours les pièces à travailler dans un étau ou un dispositif de retenue similaire.

⚠ATTENTION : Évitez de percer dans des matériaux que vous soupçonnez contenir des clous cachés ou d'autres choses susceptibles de coincer ou casser le foret.

⚠ATTENTION : Si vous utilisez l'outil sans interruption jusqu'au déchargement de la batterie, laissez-le reposer 15 minutes avant de poursuivre le travail avec une autre batterie.

Raccourcissement de la longe (sangle de retenue)

⚠ Consignes de sécurité spécifiques à l'utilisation en hauteur. Lisez toutes les consignes de sécurité et instructions. Le non-respect des avertissements et instructions peut entraîner de graves blessures.

1. L'outil doit toujours être attaché lorsque vous travaillez en hauteur. La longueur maximum de la longe est de 2 m.
La hauteur de chute maximale autorisée pour la longe (sangle de retenue) ne doit pas dépasser 2 m.
2. Utilisez uniquement des langes convenant à ce type d'outil et conçues pour supporter au moins 5,0 kg (11,0 lbs).
3. N'accrochez pas la longe de l'outil à quoi que ce soit sur votre corps ou à des éléments mobiles. Accrochez la longe de l'outil à une structure rigide capable de supporter la force exercée par la chute d'un outil.
4. Assurez-vous que la longe est correctement fixée à chaque extrémité avant utilisation.
5. Vérifiez que l'outil et la longe ne sont pas endommagés et fonctionnent correctement avant utilisation (y compris le tissu et les coutures). Ne les utilisez pas s'ils sont endommagés ou fonctionnent mal.
6. N'enroulez pas les langes autour de bords rugueux ou coupants, ni ne les laissez entrer en contact avec des bords rugueux ou coupants.
7. Serrez l'autre extrémité de la longe en dehors de l'espace de travail de sorte qu'un outil tombant soit retenu en sécurité.
8. Fixez la longe de sorte que l'outil s'éloigne de l'utilisateur en cas de chute. Les outils tombés se balanceront sur la longe, ce qui pourrait provoquer des blessures ou une perte d'équilibre.

9. Ne les utilisez pas à proximité de pièces en mouvement ou de machines en fonctionnement. Le non-respect de cette précaution présente un risque d'écrasement ou d'enchevêtrement.
10. Ne transportez pas l'outil en le tenant par le dispositif de fixation ou la longe.
11. Faites passer l'outil d'une main à l'autre uniquement si vous avez un bon équilibre.
12. Ne fixez pas les langes à l'outil d'une manière qui empêche les carters de protection, les commutateurs ou les verrouillages de fonctionner correctement.
13. Évitez de vous empêtrer dans la longe.
14. Éloignez la longe de la zone de coupe de l'outil.
15. Utilisez des mousquetons à bague vissée et à ouverture double ou triple action. N'utilisez pas de mousquetons à ressort à ouverture action unique.
16. Si l'outil tombe, il doit être marqué et mis hors service, puis être confié à une usine Makita ou à un centre de service après-vente Makita agréé pour inspection.

ENTRETIEN

⚠ATTENTION : Assurez-vous toujours que l'outil est hors tension et que la batterie est retirée avant d'y effectuer tout travail d'inspection ou d'entretien.

REMARQUE : N'utilisez jamais d'essence, benzène, diluant, alcool ou autre produit similaire. Cela risquerait de provoquer la décoloration, la déformation ou la fissuration de l'outil.

Pour assurer la SÉCURITÉ et la FIABILITÉ du produit, toute réparation, tout travail d'entretien ou de réglage doivent être effectués par un centre d'entretien Makita agréé, avec des pièces de rechange Makita.

ACCESSOIRES EN OPTION

⚠ATTENTION : Ces accessoires ou pièces complémentaires sont recommandés pour l'utilisation avec l'outil Makita spécifié dans ce mode d'emploi. L'utilisation de tout autre accessoire ou pièce complémentaire peut comporter un risque de blessure. N'utilisez les accessoires ou pièces complémentaires qu'aux fins auxquelles ils ont été conçus.

Pour obtenir plus de détails sur ces accessoires, contactez votre centre d'entretien local Makita.

- Forets
- Batterie et chargeur Makita d'origine

NOTE : Il se peut que certains éléments de la liste soient compris dans l'emballage de l'outil en tant qu'accessoires standard. Ils peuvent varier d'un pays à l'autre.

TECHNISCHE DATEN

Modell:		DDA450		DDA451	
Gangstufe		Hoch	Niedrig	Hoch	Niedrig
Bohrkapazitäten	Stahl	13 mm			
	Holz	Schlangenbohrer: 38 mm Self-Feed-Bohrer: 50 mm Lochsäge: 101 mm	Schlangenbohrer: 38 mm Self-Feed-Bohrer: 65 mm Lochsäge: 127 mm	Schlangenbohrer: 38 mm Self-Feed-Bohrer: 50 mm Lochsäge: 101 mm	Schlangenbohrer: 38 mm Self-Feed-Bohrer: 65 mm Lochsäge: 127 mm
Leerlaufdrehzahl		0 - 1.400 min ⁻¹	0 - 450 min ⁻¹	0 - 1.400 min ⁻¹	0 - 450 min ⁻¹
Gesamtlänge (mit Akku BL1860B)		434 mm			
Nennspannung		Gleichstrom 18 V			
Nettogewicht		3,2 - 3,5 kg		3,0 - 3,3 kg	

- Wir behalten uns vor, Änderungen der technischen Daten im Zuge der Entwicklung und des technischen Fortschritts ohne vorherige Ankündigung vorzunehmen.
- Die technischen Daten können von Land zu Land unterschiedlich sein.
- Das Gewicht kann abhängig von dem Aufsatz (den Aufsätzen), einschließlich des Akkus, unterschiedlich sein. Die leichteste und die schwerste Kombination, gemäß dem EPTA-Verfahren 01/2014, sind in der Tabelle angegeben.

Zutreffende Akkus und Ladegeräte

Akku	BL1815N / BL1820B / BL1830B / BL1840B / BL1850B / BL1860B
Ladegerät	DC18RC / DC18RD / DC18RE / DC18SD / DC18SE / DC18SF / DC18SH / DC18WC

- Einige der oben aufgelisteten Akkus und Ladegeräte sind je nach Ihrem Wohngebiet eventuell nicht erhältlich.

⚠️ WARNUNG: Verwenden Sie nur die oben aufgeführten Akkus und Ladegeräte. Bei Verwendung irgendwelcher anderer Akkus und Ladegeräte besteht Verletzungs- und/oder Brandgefahr.

Vorgesehene Verwendung

Das Werkzeug ist für Bohren in Holz, Metall und Kunststoff vorgesehen.

Geräusch

Typischer A-bewerteter Geräuschpegel ermittelt gemäß EN62841-2-1:

Schalldruckpegel (L_{pA}): 83 dB (A)
Schallleistungspegel (L_{WA}): 94 dB (A)
Messunsicherheit (K): 3 dB (A)

HINWEIS: Der (Die) angegebene(n) Schallemissionswert(e) wurde(n) im Einklang mit der Standardprüfmethode gemessen und kann (können) für den Vergleich zwischen Werkzeugen herangezogen werden.

HINWEIS: Der (Die) angegebene(n) Schallemissionswert(e) kann (können) auch für eine Vorbewertung des Gefährdungsgrads verwendet werden.

⚠️ WARNUNG: Einen Gehörschutz tragen.

⚠️ WARNUNG: Die Schallemission während der tatsächlichen Benutzung des Elektrowerkzeugs kann je nach der Benutzungsweise des Werkzeugs, und speziell je nach der Art des bearbeiteten Werkstücks, von dem (den) angegebenen Wert(en) abweichen.

⚠️ WARNUNG: Identifizieren Sie Sicherheitsmaßnahmen zum Schutz des Benutzers anhand einer Schätzung des Gefährdungsgrads unter den tatsächlichen Benutzungsbedingungen (unter Berücksichtigung aller Phasen des Arbeitszyklus, wie z. B. Ausschalt- und Leerlaufzeiten des Werkzeugs zusätzlich zur Betriebszeit).

Schwingungen

Schwingungsgesamtwert (Drei-Achsen-Vektorsumme) ermittelt gemäß EN62841-2-1:
Arbeitsmodus: Bohren in Metall
Schwingungsemission ($a_{h,D}$): 2,5 m/s² oder weniger
Messunsicherheit (K): 1,5 m/s²

HINWEIS: Der (Die) angegebene(n) Vibrationsgesamtwert(e) wurde(n) im Einklang mit der Standardprüfmethode gemessen und kann (können) für den Vergleich zwischen Werkzeugen herangezogen werden.

HINWEIS: Der (Die) angegebene(n) Vibrationsgesamtwert(e) kann (können) auch für eine Vorbewertung des Gefährdungsgrads verwendet werden.

⚠️ WARNUNG: Die Vibrationsemission während der tatsächlichen Benutzung des Elektrowerkzeugs kann je nach der Benutzungsweise des Werkzeugs, und speziell je nach der Art des bearbeiteten Werkstücks, von dem (den) angegebenen Emissionswert(en) abweichen.

⚠️ WARNUNG: Identifizieren Sie Sicherheitsmaßnahmen zum Schutz des Benutzers anhand einer Schätzung des Gefährdungsgrads unter den tatsächlichen Benutzungsbedingungen (unter Berücksichtigung aller Phasen des Arbeitszyklus, wie z. B. Ausschalt- und Leerlaufzeiten des Werkzeugs zusätzlich zur Betriebszeit).

EG-Konformitätserklärung

Nur für europäische Länder

Die EG-Konformitätserklärung ist als Anhang A in dieser Bedienungsanleitung enthalten.

SICHERHEITSWARNUNGEN

Allgemeine Sicherheitswarnungen für Elektrowerkzeuge

⚠️ WARNUNG: Lesen Sie alle mit diesem Elektrowerkzeug gelieferten Sicherheitswarnungen, Anweisungen, Abbildungen und technischen Daten durch. Eine Missachtung der unten aufgeführten Anweisungen kann zu einem elektrischen Schlag, Brand und/oder schweren Verletzungen führen.

Bewahren Sie alle Warnungen und Anweisungen für spätere Bezugnahme auf.

Der Ausdruck „Elektrowerkzeug“ in den Warnhinweisen bezieht sich auf Ihr mit Netzstrom (mit Kabel) oder Akku (ohne Kabel) betriebenes Elektrowerkzeug.

Sicherheitswarnungen für Akku-Bohrschrauber

Sicherheitsanweisungen für alle Betriebsvorgänge

1. **Verwenden Sie den (die) Zusatzgriff(e).**
Verlust der Kontrolle kann Personenschäden verursachen.

2. **Halten Sie das Elektrowerkzeug an den isolierten Griffflächen, wenn Sie Arbeiten ausführen, bei denen die Gefahr besteht, dass das Schneidzubehör verborgene Kabel kontaktiert.** Bei Kontakt mit einem Strom führenden Kabel können die freiliegenden Metallteile des Elektrowerkzeugs ebenfalls Strom führend werden, so dass der Benutzer einen elektrischen Schlag erleiden kann.
3. **Achten Sie stets auf sicheren Stand.** Vergewissern Sie sich bei Einsatz des Werkzeugs an hochgelegenen Arbeitsplätzen, dass sich keine Personen darunter aufhalten.
4. **Halten Sie das Werkzeug mit festem Griff.**
5. **Halten Sie Ihre Hände von rotierenden Teilen fern.**
6. **Lassen Sie das Werkzeug nicht unbeaufsichtigt laufen.** Benutzen Sie das Werkzeug nur mit Handhaltung.
7. **Vermeiden Sie eine Berührung des Bohrereinsatzes oder des Werkstücks unmittelbar nach der Bearbeitung, weil die Teile noch sehr heiß sind und Hautverbrennungen verursachen können.**
8. **Manche Materialien können giftige Chemikalien enthalten.** Treffen Sie Vorsichtsmaßnahmen, um das Einatmen von Arbeitsstaub und Hautkontakt zu verhindern. Befolgen Sie die Sicherheitsdaten des Materiallieferanten.
9. **Falls der Bohrereinsatz selbst durch Öffnen der Futterbacken nicht gelöst werden kann, ziehen Sie ihn mit einer Zange heraus.** In einem solchen Fall kann Herausziehen des Bohrereinsatzes von Hand zu einer Verletzung durch seine scharfe Kante führen.
10. **Falls etwas mit dem Werkzeug nicht stimmt, wie z. B. anormale Geräusche, brechen Sie den Betrieb sofort ab, und wenden Sie sich bezüglich einer Reparatur an Ihre örtliche Makita-Kundendienststelle.**
11. **Vergewissern Sie sich vor dem Betrieb, dass sich keine verborgenen Objekte, wie etwa eine elektrische Leitung, ein Wasserrohr oder ein Gasrohr, im Boden befinden.** Anderenfalls kann das Werkzeug damit in Berührung kommen und einen elektrischen Schlag, einen Leckstrom oder ein Gasleck verursachen.

Sicherheitsanweisungen bei Verwendung von langen Bohrereinsätzen

1. **Arbeiten Sie niemals mit einer höheren Drehzahl als der Maximaldrehzahl des Bohrereinsatzes.** Bei höheren Drehzahlen besteht die Gefahr, dass sich der Einsatz verbiegt, wenn zugelassen wird, dass er ohne Kontakt mit dem Werkstück frei rotiert, was zu Personenschäden führen kann.
2. **Starten Sie den Bohrvorgang immer mit einer niedrigen Drehzahl und bei Kontakt der Einsatzspitze mit dem Werkstück.** Bei höheren Drehzahlen besteht die Gefahr, dass sich der Einsatz verbiegt, wenn zugelassen wird, dass er ohne Kontakt mit dem Werkstück frei rotiert, was zu Personenschäden führen kann.

3. **Üben Sie Druck nur in direkter Linie mit dem Einsatz aus, und wenden Sie keinen übermäßigen Druck an.** Einsätze können sich verbiegen, was Bruch oder Verlust der Kontrolle verursachen und zu Personenschäden führen kann.

BEWAHREN SIE DIESE ANLEITUNG AUF.

⚠️ WARNUNG: Lassen Sie sich **NICHT** durch Bequemlichkeit oder Vertrautheit mit dem Produkt (durch wiederholten Gebrauch erworben) von der strikten Einhaltung der Sicherheitsregeln für das vorliegende Produkt abhalten. **MISSBRAUCH** oder Missachtung der Sicherheitsvorschriften in dieser Anleitung können schwere Personenschäden verursachen.

Wichtige Sicherheitsanweisungen für Akku

1. **Lesen Sie vor der Benutzung des Akkus alle Anweisungen und Warnhinweise, die an (1) Ladegerät, (2) Akku und (3) Akkuwerkzeug angebracht sind.**
2. **Unterlassen Sie Zerlegen oder Manipulieren des Akkus.** Es kann sonst zu einem Brand, übermäßiger Hitzeentwicklung oder einer Explosion kommen.
3. **Falls die Betriebszeit beträchtlich kürzer geworden ist, stellen Sie den Betrieb sofort ein.** Anderenfalls besteht die Gefahr von Überhitzung, möglichen Verbrennungen und sogar einer Explosion.
4. **Falls Elektrolyt in Ihre Augen gelangt, waschen Sie sie mit sauberem Wasser aus, und begeben Sie sich unverzüglich in ärztliche Behandlung.** Anderenfalls können Sie Ihre Sehkraft verlieren.
5. **Der Akku darf nicht kurzgeschlossen werden:**
 - (1) **Die Kontakte dürfen nicht mit leitfähigem Material berührt werden.**
 - (2) **Lagern Sie den Akku nicht in einem Behälter zusammen mit anderen Metallgegenständen, wie z. B. Nägel, Münzen usw.**
 - (3) **Setzen Sie den Akku weder Wasser noch Regen aus.**

Ein Kurzschluss des Akkus verursacht starken Stromfluss, der Überhitzung, mögliche Verbrennungen und einen Defekt zur Folge haben kann.
6. **Lagern und benutzen Sie das Werkzeug und den Akku nicht an Orten, an denen die Temperatur 50 °C erreichen oder überschreiten kann.**
7. **Versuchen Sie niemals, den Akku zu verbrennen, selbst wenn er stark beschädigt oder vollkommen verbraucht ist. Der Akku kann im Feuer explodieren.**
8. **Unterlassen Sie Nageln, Schneiden, Zerquetschen, Werfen, Fallenlassen des Akkus oder Schlagen des Akkus mit einem harten Gegenstand.** Eine solche Handlung kann zu einem Brand, übermäßiger Hitzeentwicklung oder einer Explosion führen.

9. **Benutzen Sie keine beschädigten Akkus.**
10. **Die enthaltenen Lithium-Ionen-Akkus unterliegen den Anforderungen der Gefahrgutgesetzgebung.**

Für kommerzielle Transporte, z. B. durch Dritte oder Spediteure, müssen besondere Anforderungen zu Verpackung und Etikettierung beachtet werden.

Zur Vorbereitung des zu transportierenden Artikels ist eine Beratung durch einen Experten für Gefahrgut erforderlich. Bitte beachten Sie möglicherweise ausführlichere nationale Vorschriften. Überkleben oder verdecken Sie offene Kontakte, und verpacken Sie den Akku so, dass er sich in der Verpackung nicht umher bewegen kann.

11. **Entfernen Sie den Akku zum Entsorgen vom Werkzeug, und entsorgen Sie ihn an einem sicheren Ort. Befolgen Sie die örtlichen Vorschriften bezüglich der Entsorgung von Akkus.**
12. **Verwenden Sie die Akkus nur mit den von Makita angegebenen Produkten.** Das Einsetzen der Akkus in nicht konforme Produkte kann zu einem Brand, übermäßiger Hitzebildung, einer Explosion oder Auslaufen von Elektrolyt führen.
13. **Soll das Werkzeug längere Zeit nicht benutzt werden, muss der Akku vom Werkzeug entfernt werden.**
14. **Bei und nach dem Gebrauch kann der Akku heiß werden, was Verbrennungen oder Niedertemperaturverbrennungen verursachen kann. Beachten Sie die Handhabung von heißen Akkus.**
15. **Berühren Sie nicht den Anschlusskontakt des Werkzeugs unmittelbar nach dem Gebrauch, da er heiß genug werden kann, um Verbrennungen zu verursachen.**
16. **Achten Sie darauf, dass sich keine Späne, Staub oder Schmutz in den Anschlusskontakten, Löchern und Nuten des Akkus absetzen.** Es könnte sonst zu Erhitzung, Brandauslösung, Bersten und Funktionsstörungen des Werkzeugs oder des Akkus kommen, was zu Verbrennungen oder Personenschäden führen kann.
17. **Wenn das Werkzeug den Einsatz in der Nähe einer Hochspannungs-Stromleitung nicht unterstützt, benutzen Sie den Akku nicht in der Nähe einer Hochspannungs-Stromleitung.** Dies kann zu einer Funktionsstörung oder Betriebsstörung des Werkzeugs oder des Akkus führen.
18. **Halten Sie die Batterie von Kindern fern.**

DIESE ANWEISUNGEN AUFBEWAHREN.

⚠️ VORSICHT: Verwenden Sie nur **Original-Makita-Akkus**. Die Verwendung von Nicht-Original-Makita-Akkus oder von Akkus, die abgeändert worden sind, kann zum Bersten des Akkus und daraus resultierenden Bränden, Personenschäden und Beschädigung führen. Außerdem wird dadurch die Makita-Garantie für das Makita-Werkzeug und -Ladegerät ungültig.

Hinweise zur Aufrechterhaltung der maximalen Akku-Nutzungsdauer

1. Laden Sie den Akku, bevor er vollkommen erschöpft ist. Schalten Sie das Werkzeug stets aus, und laden Sie den Akku, wenn Sie ein Nachlassen der Werkzeugeistung feststellen.
2. Unterlassen Sie erneutes Laden eines voll aufgeladenen Akkus. Überladen führt zu einer Verkürzung der Nutzungsdauer des Akkus.
3. Laden Sie den Akku bei Raumtemperatur zwischen 10 – 40 °C. Lassen Sie einen heißen Akku abkühlen, bevor Sie ihn laden.
4. Wenn Sie den Akku nicht benutzen, nehmen Sie ihn vom Werkzeug oder Ladegerät ab.
5. Der Akku muss geladen werden, wenn er lange Zeit (länger als sechs Monate) nicht benutzt wird.

FUNKTIONSBESCHREIBUNG

⚠ VORSICHT: Vergewissern Sie sich vor der Durchführung von Einstellungen oder Funktionsprüfungen des Werkzeugs stets, dass das Werkzeug ausgeschaltet und der Akku abgenommen ist.

Anbringen und Abnehmen des Akkus

⚠ VORSICHT: Schalten Sie das Werkzeug stets aus, bevor Sie den Akku anbringen oder abnehmen.

⚠ VORSICHT: Halten Sie das Werkzeug und den Akku beim Anbringen oder Abnehmen des Akkus sicher fest. Wenn Sie das Werkzeug und den Akku nicht sicher festhalten, können sie Ihnen aus der Hand rutschen, was zu einer Beschädigung des Werkzeugs und des Akkus und zu Körperverletzungen führen kann.

► **Abb.1:** 1. Rote Anzeige 2. Knopf 3. Akku

Ziehen Sie den Akku zum Abnehmen vom Werkzeug ab, während Sie den Knopf an der Vorderseite des Akkus verschieben.

Richten Sie zum Anbringen des Akkus dessen Führungsfeder auf die Nut im Gehäuse aus, und schieben Sie den Akku hinein. Schieben Sie ihn vollständig ein, bis er mit einem leisen Klicken einrastet. Wenn Sie die rote Anzeige sehen können, wie in der Abbildung gezeigt, ist der Akku nicht vollständig verriegelt.

⚠ VORSICHT: Schieben Sie den Akku stets bis zum Anschlag ein, bis die rote Anzeige nicht mehr sichtbar ist. Anderenfalls kann er aus dem Werkzeug herausfallen und Sie oder umstehende Personen verletzen.

⚠ VORSICHT: Unterlassen Sie Gewaltanwendung beim Anbringen des Akkus. Falls der Akku nicht reibungslos hineingleitet, ist er nicht richtig ausgerichtet.

Anzeigen der Akku-Restkapazität

Nur für Akkus mit Anzeige

► **Abb.2:** 1. Anzeigelampen 2. Prüftaste

Drücken Sie die Prüftaste am Akku, um die Akku-Restkapazität anzuzeigen. Die Anzeigelampen leuchten wenige Sekunden lang auf.

Anzeigelampen			Restkapazität
Erleuchtet	Aus	Blinkend	
			75% bis 100%
			50% bis 75%
			25% bis 50%
			0% bis 25%
			Den Akku aufladen.
			Möglicherweise liegt eine Funktionsstörung im Akku vor.

HINWEIS: Abhängig von den Benutzungsbedingungen und der Umgebungstemperatur kann die Anzeige geringfügig von der tatsächlichen Kapazität abweichen.

HINWEIS: Die erste (äußerste linke) Anzeigelampe blinkt, wenn das Akku-Schutzsystem aktiv ist.

Werkzeug/Akku-Schutzsystem

Das Werkzeug ist mit einem Werkzeug/Akku-Schutzsystem ausgestattet. Dieses System schaltet die Stromversorgung des Motors automatisch ab, um die Lebensdauer von Werkzeug und Akku zu verlängern. Das Werkzeug bleibt während des Betriebs automatisch stehen, wenn das Werkzeug oder der Akku einer der folgenden Bedingungen unterliegt:

Überlastschutz

Wird das Werkzeug/der Akku auf eine Weise benutzt, die eine ungewöhnlich hohe Stromaufnahme bewirkt, bleibt das Werkzeug automatisch stehen. Schalten Sie in dieser Situation das Werkzeug aus, und brechen Sie die Arbeit ab, die eine Überlastung des Werkzeugs verursacht hat. Schalten Sie dann das Werkzeug wieder ein, um es neu zu starten.

Überhitzungsschutz

Wenn das Werkzeug oder der Akku überhitzt wird, bleibt das Werkzeug automatisch stehen, und die Lampe beginnt zu blinken. Lassen Sie das Werkzeug in dieser Situation abkühlen, bevor Sie es wieder einschalten.

Überentladungsschutz

Wenn die Akkukapazität unzureichend wird, bleibt das Werkzeug automatisch stehen. Nehmen Sie in diesem Fall den Akku vom Werkzeug ab, und laden Sie ihn auf.

Schalterfunktion

⚠ VORSICHT: Vergewissern Sie sich vor dem Einsetzen des Akkus in das Werkzeug stets, dass der Ein-Aus-Schalter ordnungsgemäß funktioniert und beim Loslassen in die AUS-Stellung zurückkehrt.

► **Abb.3:** 1. Ein-Aus-Schalter

Zum Starten des Werkzeugs betätigen Sie den Auslöseschalter. Die Werkzeugdrehzahl erhöht sich durch verstärkte Druckausübung auf den Auslöseschalter. Zum Stoppen lassen Sie den Auslöseschalter los.

HINWEIS: Das Werkzeug bleibt automatisch stehen, wenn der Ein-Aus-Schalter etwa 6 Minuten lang betätigt wird.

Einschalten der Frontlampe

⚠ VORSICHT: Blicken Sie nicht direkt in die Lampe oder die Lichtquelle.

► **Abb.4:** 1. Lampe

Betätigen Sie den Auslöseschalter, um die Lampe einzuschalten. Die Lampe bleibt erleuchtet, solange der Auslöseschalter gedrückt gehalten wird. Die Lampe erlischt ungefähr 10 Sekunden nach dem Loslassen des Ein-Aus-Schalters.

HINWEIS: Wenn das Werkzeug überhitzt wird, bleibt es automatisch stehen, und die Lampe beginnt zu blinken. Lassen Sie in diesem Fall den Auslöseschalter los. Die Lampe erlischt nach 1 Minute(n).

HINWEIS: Wischen Sie Schmutz auf der Lampenlinse mit einem trockenen Tuch ab. Achten Sie sorgfältig darauf, dass Sie die Lampenlinse nicht verkratzen, weil sich sonst die Lichtstärke verringert.

Funktion des Drehrichtungsumschalters

⚠ VORSICHT: Prüfen Sie stets die Drehrichtung, bevor Sie mit der Arbeit beginnen.

⚠ VORSICHT: Betätigen Sie den Drehrichtungsumschalter erst, nachdem das Werkzeug völlig zum Stillstand gekommen ist. Durch Umschalten der Drehrichtung bei noch laufendem Werkzeug kann das Werkzeug beschädigt werden.

⚠ VORSICHT: Stellen Sie den Drehrichtungsumschalthebel stets auf die Neutralstellung, wenn Sie das Werkzeug nicht benutzen.

Dieses Werkzeug besitzt einen Drehrichtungsumschalter. Drücken Sie auf die Seite A des Drehrichtungsumschalthebels für Rechtsdrehung, und auf die Seite B für Linksdrehung. In der Neutralstellung des Drehrichtungsumschalthebels kann der Schalthebel nicht betätigt werden.

► **Abb.5:** 1. Drehrichtungsumschalthebel

Drehzahl-Umschaltung

ANMERKUNG: Betätigen Sie den Drehzahl-Umschaltknopf erst, nachdem das Werkzeug zu einem vollständigen Stillstand gekommen ist. Durch Umschalten der Drehzahl bei noch laufendem Werkzeug kann das Werkzeug beschädigt werden.

ANMERKUNG: Rasten Sie den Drehzahl-Umschaltknopf stets sorgfältig in die korrekte Position ein. Wird das Werkzeug bei einer Zwischenstellung des Drehzahl-Umschaltknopfes zwischen den Positionen 1 und 2 betrieben, kann es beschädigt werden.

ANMERKUNG: Falls die Drehzahl während des Betriebs im Hochdrehzahl-Modus erheblich abfällt, stoppen Sie das Werkzeug, und schalten Sie es auf den Niederdrehzahl-Modus um. Anderenfalls kann der Motor überlastet werden und eine Funktionsstörung oder einen Brand verursachen.

Zwei Drehzahlbereiche können mit dem Drehzahl-Umschaltknopf vorgewählt werden.

Drehen Sie zum Umschalten der Drehzahl den Drehzahl-Umschaltknopf so, dass der Zeiger auf die Position 1 für die Betriebsart mit niedriger Drehzahl bzw. auf die Position 2 für die Betriebsart mit hoher Drehzahl zeigt.

► **Abb.6:** 1. Zeiger 2. Drehzahl-Umschaltknopf

Elektronikfunktion

Elektrische Bremse

Dieses Werkzeug ist mit einer elektrischen Bremse ausgestattet. Falls das Werkzeug nach dem Loslassen des Auslöseschalters ständig nicht sofort anhält, lassen Sie es von einer Makita-Kundendienststelle warten.

Soft-Start-Funktion

Diese Funktion ermöglicht weiches Anlaufen des Werkzeugs durch Begrenzung des Anlaufdrehmoments.

MONTAGE

⚠ VORSICHT: Vergewissern Sie sich vor der Ausführung von Arbeiten am Werkzeug stets, dass das Werkzeug ausgeschaltet und der Akku abgenommen ist.

Montieren des Seitengriffs (Zusatzgriffs)

⚠ VORSICHT: Vergewissern Sie sich vor dem Betrieb stets, dass der Seitengriff einwandfrei montiert ist.

Schrauben Sie den Seitengriff fest an das Werkzeug an. Der Seitengriff kann je nach Bevorzugung auf der linken oder rechten Seite des Werkzeugs installiert werden.

► **Abb.7:** 1. Seitengriff

Montieren des Schlüsselhalters

(Länderspezifisch)

⚠ VORSICHT: Vergewissern Sie sich vor dem Betrieb stets, dass der Schlüsselhalter einwandfrei montiert ist.

Schrauben Sie den Schlüsselhalter fest am Werkzeug an. Bringen Sie dann den Futterschlüssel an.

- **Abb.8:** 1. Schlüsselhalter 2. Schraube
3. Futterschlüssel

Montage und Demontage des Bohrereinsatzes

Für Modell DDA450

Zum Montieren führen Sie den Bohrereinsatz bis zum Anschlag in das Futter ein. Ziehen Sie das Futter von Hand an. Stecken Sie den Futterschlüssel in jedes der drei Löcher ein, und drehen Sie ihn im Uhrzeigersinn. Ziehen Sie das Futter in allen drei Löchern unbedingt mit gleicher Kraft an.

Führen Sie den Bohrfutterschlüssel zum Demontieren des Bohrereinsatzes nur in ein Loch ein, und drehen Sie ihn entgegen dem Uhrzeigersinn, bevor Sie das Futter von Hand lösen.

- **Abb.9:** 1. Futterschlüssel

Setzen Sie den Futterschlüssel nach Gebrauch wieder in den Schlüsselhalter am Werkzeug ein, wie dargestellt.

- **Abb.10:** 1. Schlüsselhalter

Für Modell DDA451

Verwenden Sie nur den Bohrereinsatz, der mit den in der Abbildung gezeigten Abmessungen ausgelegt ist. A=11,2 mm (7/16")

- **Abb.11**

Ziehen Sie die Werkzeugaufnahme zum Anbringen des Bohrereinsatzes in Pfeilrichtung, und führen Sie den Bohrereinsatz bis zum Anschlag in die Werkzeugaufnahme ein.

Lassen Sie dann die Werkzeugaufnahme los, um den Bohrereinsatz zu sichern.

Ziehen Sie die Werkzeugaufnahme zum Abnehmen des Bohrereinsatzes in Pfeilrichtung, und ziehen Sie dann den Bohrereinsatz heraus.

- **Abb.12:** 1. Bohrereinsatz 2. Werkzeugaufnahme

HINWEIS: Wird der Bohrereinsatz nicht tief genug in die Werkzeugaufnahme eingeführt, kehrt die Werkzeugaufnahme nicht zur Ausgangsstellung zurück, so dass der Bohrereinsatz nicht eingespannt wird. Versuchen Sie in diesem Fall, den Bohrereinsatz gemäß den obigen Anweisungen neu einzuführen.

HINWEIS: Vergewissern Sie sich nach dem Einführen des Bohrereinsatzes, dass er einwandfrei gesichert ist. Verwenden Sie ihn nicht, falls er herausrutscht.

Haken

⚠ VORSICHT: Nehmen Sie stets den Akku ab, wenn Sie das Werkzeug am Aufhänger aufhängen.

⚠ VORSICHT: Hängen Sie das Werkzeug auf keinen Fall an hoch gelegenen Stellen oder an einer potentiell instabilen Fläche auf.

Der Aufhänger ist praktisch, um das Werkzeug vorübergehend aufzuhängen.

Um den Aufhänger zu benutzen, heben Sie ihn einfach an, bis er in die geöffnete Position einrastet. Wenn er nicht benutzt wird, senken Sie den Aufhänger stets ab, bis er in die geschlossene Position einrastet.

- **Abb.13:** 1. Haken

- **Abb.14**

Anschließen einer Schnur (Haltegurt) am Aufhänger

⚠ VORSICHT: Benutzen Sie den Aufhänger und die Schrauben nicht, wenn sie beschädigt sind. Überprüfen Sie das Werkzeug vor Gebrauch stets auf Beschädigung, Risse oder Verformung, und vergewissern Sie sich, dass die Schrauben angezogen sind.

⚠ VORSICHT: Vergewissern Sie sich, dass der Aufhänger mit den Schrauben sicher montiert ist.

⚠ VORSICHT: Unterlassen Sie Montieren oder Demontieren von Zubehör, während Sie das Werkzeug aufhängen. Das Werkzeug kann herunterfallen, falls die Schrauben nicht festgezogen sind.

⚠ VORSICHT: Verwenden Sie stets einen Schraubkarabiner (Multi-Action- und Screw Gate-Ausführung), und befestigen Sie unbedingt die Schnur (Haltegurt) am Doppelschleifen teil des Aufhängers. Ungeeignete Befestigung kann Herunterfallen des Werkzeugs vom Aufhänger verursachen, was zu Personenschäden führen kann.

Der Aufhänger ist auch zum Anschließen der Schnur (Haltegurt) vorgesehen. Schließen Sie die Schnur (Haltegurt) unbedingt an den Doppelschleifen teil des Aufhängers an.

- **Abb.15:** 1. Doppelschleifen teil des Aufhängers
2. Schnur (Haltegurt) 3. Schraubkarabiner (Multi-Action- und Screw Gate-Ausführung)

BETRIEB

⚠ VORSICHT: Führen Sie den Akku immer vollständig ein, bis er einrastet. Falls die rote Anzeige an der Oberseite des Knopfes sichtbar ist, ist der Akku nicht vollständig verriegelt. Schieben Sie ihn bis zum Anschlag ein, bis die rote Anzeige nicht mehr sichtbar ist. Anderenfalls kann er aus dem Werkzeug herausfallen und Sie oder umstehende Personen verletzen.

⚠ VORSICHT: Wenn die Drehzahl sehr stark abfällt, verringern Sie die Last, oder halten Sie das Werkzeug an, um Beschädigung des Werkzeugs zu vermeiden.

⚠ VORSICHT: Halten Sie das Werkzeug während der Benutzung mit festem Griff.

Halten des Werkzeugs

⚠ VORSICHT: Dies ist ein leistungsstarkes Werkzeug. Da ein hohes Drehmoment entwickelt wird, ist es wichtig, das Werkzeug sicher festzuhalten und einwandfrei abzustützen.

Greifen Sie den Handgriff mit der einen Hand, und den vorderen Handgriff mit der anderen Hand.

► **Abb.16:** 1. Vorderer Handgriff 2. Handgriff

Bohrbetrieb

Bohren in Holz

Beim Bohren in Holz lassen sich die besten Ergebnisse mit Holzbohrern erzielen, die mit einer Zentrierspitze ausgestattet sind. Die Zentrierspitze erleichtert das Bohren, da sie den Bohrereinsatz in das Werkstück hineinzieht.

Bohren in Metall

Um Abrutschen des Bohrereinsatzes beim Anbohren zu vermeiden, empfiehlt es sich, die Bohrstelle mit einem Zentrierkörner anzukörnen. Setzen Sie dann die Spitze des Bohrereinsatzes in die Vertiefung, und beginnen Sie mit dem Bohren. Verwenden Sie Schneidflüssigkeit beim Bohren von Metall. Eisen und Messing sollten jedoch trocken gebohrt werden.

⚠ VORSICHT: Übermäßige Druckausübung auf das Werkzeug bewirkt keine Beschleunigung der Bohrleistung. Im Gegenteil; übermäßiger Druck führt zu einer Beschädigung der Spitze des Bohrereinsatzes und damit zu einer Verringerung der Leistungsfähigkeit sowie zu einer Verkürzung der Lebensdauer des Werkzeugs.

⚠ VORSICHT: Halten Sie daher das Werkzeug mit festem Griff und lassen Sie Vorsicht walten, wenn der Bohrereinsatz im Begriff ist, aus dem Werkstück auszutreten. Beim Bohrungsdurchbruch wirkt ein hohes Rückdrehmoment auf Werkzeug und Bohrereinsatz.

⚠ VORSICHT: Ein festsitzender Bohrereinsatz lässt sich durch einfaches Umschalten der Drehrichtung wieder herausdrehen. Dabei sollten Sie aber das Werkzeug gut festhalten, damit es nicht ruckartig herausgestoßen wird.

⚠ VORSICHT: Spannen Sie Werkstücke stets in einen Schraubstock oder eine ähnliche Aufspannvorrichtung ein.

⚠ VORSICHT: Vermeiden Sie das Anbohren von Material, bei dem Sie den Verdacht haben, dass verborgene Nägel oder andere Gegenstände vorhanden sind, die Klemmen oder Abbrechen des Bohrereinsatzes verursachen können.

⚠ VORSICHT: Wenn das Werkzeug im Dauerbetrieb bis zur vollkommenen Entladung des Akkus benutzt wurde, lassen Sie das Werkzeug vor dem Fortsetzen des Betriebs mit einem frischen Akku 15 Minuten lang ruhen.

Anschluss einer Schnur (Haltegurt)

⚠ Spezielle Sicherheitswarnungen für Gebrauch an hohen Orten

Lesen Sie alle Sicherheitswarnungen und Anweisungen durch. Eine Missachtung der Warnungen und Anweisungen kann zu schweren Verletzungen führen.

1. Halten Sie das Werkzeug stets angebunden, wenn Sie „an hohen Orten“ arbeiten. Die maximale Schnurlänge beträgt 2 m. Die maximal zulässige Fallhöhe für die Schnur (Haltegurt) darf 2 m nicht überschreiten.
2. Verwenden Sie nur für diesen Werkzeugtyp geeignete Schnüre, die für eine Belastung von mindestens 5,0 kg (11,0 lbs) bemessen sind.
3. Verankern Sie die Werkzeugschnur nicht an irgendeinem Körperteil oder an beweglichen Komponenten. Verankern Sie die Werkzeugschnur an einer starren Struktur, die den Kräften eines herunterfallenden Werkzeugs widerstehen kann.
4. Vergewissern Sie sich vor der Benutzung, dass die Schnur an beiden Enden einwandfrei gesichert ist.
5. Überprüfen Sie Werkzeug und Schnur vor jeder Benutzung auf Beschädigung und ordnungsgemäße Funktion (einschließlich Stoff und Nähte). Unterlassen Sie den Gebrauch bei Beschädigung oder nicht ordnungsgemäßer Funktion.

6. Wickeln Sie die Schnüre nicht um scharfe oder raue Kanten, und lassen Sie sie auch nicht mit diesen in Berührung kommen.
7. Befestigen Sie das andere Ende der Schnur außerhalb des Arbeitsbereichs, so dass ein herunterfallendes Werkzeug sicher gehalten wird.
8. Bringen Sie die Schnur so an, dass sich das Werkzeug vom Bediener weg bewegt, falls es herunterfällt. Heruntergefallene Werkzeuge schwingen an der Schnur, was Verletzungen oder Verlust des Gleichgewichts verursachen kann.
9. Unterlassen Sie die Benutzung in der Nähe von beweglichen Teilen oder laufenden Maschinen. Anderenfalls besteht Gefährdung durch Zerquetschen oder Erfassen.
10. Tragen Sie das Werkzeug nicht an der Aufsatzvorrichtung oder der Schnur.
11. Übertragen Sie das Werkzeug nur zwischen Ihren Händen, wenn Sie einwandfreies Gleichgewicht haben.
12. Befestigen Sie Schnüre nicht in einer Weise am Werkzeug, die ordnungsgemäßes Funktionieren von Schutzhauben, Schaltern oder Verriegelungen verhindert.
13. Vermeiden Sie es, in der Schnur verwickelt zu werden.
14. Halten Sie die Schnur vom Schneidbereich des Werkzeugs fern.
15. Verwenden Sie Multi-Action-Karabiner und Karabiner mit Schraubverschluss. Verwenden Sie keine Single-Action-Karabiner mit Federschnapper.
16. Falls das Werkzeug herunterfällt, muss es markiert und außer Betrieb genommen werden und sollte von einem Makita-Werk oder einem autorisierten Service-Center überprüft werden.

SONDERZUBEHÖR

⚠ VORSICHT: Die folgenden Zubehörteile oder Vorrichtungen werden für den Einsatz mit dem in dieser Anleitung beschriebenen Makita-Werkzeug empfohlen. Die Verwendung anderer Zubehörteile oder Vorrichtungen kann eine Verletzungsgefahr darstellen. Verwenden Sie Zubehörteile oder Vorrichtungen nur für ihren vorgesehenen Zweck.

Wenn Sie weitere Einzelheiten bezüglich dieser Zubehörteile benötigen, wenden Sie sich bitte an Ihre Makita-Kundendienststelle.

- Bohrereinsätze
- Original-Makita-Akku und -Ladegerät

HINWEIS: Manche Teile in der Liste können als Standardzubehör im Werkzeugsatz enthalten sein. Sie können von Land zu Land unterschiedlich sein.

WARTUNG

⚠ VORSICHT: Vergewissern Sie sich vor der Durchführung von Inspektions- oder Wartungsarbeiten stets, dass das Werkzeug ausgeschaltet und der Akku abgenommen ist.

ANMERKUNG: Verwenden Sie auf keinen Fall Benzin, Waschbenzin, Verdünner, Alkohol oder dergleichen. Solche Mittel können Verfärbung, Verformung oder Rissbildung verursachen.

Um die SICHERHEIT und ZUVERLÄSSIGKEIT dieses Produkts zu gewährleisten, sollten Reparaturen und andere Wartungs- oder Einstellarbeiten nur von Makita-Vertragswerkstätten oder Makita-Kundendienstzentren unter ausschließlicher Verwendung von Makita-Originalersatzteilen ausgeführt werden.

DATI TECNICI

Modello:		DDA450		DDA451	
Velocità degli ingranaggi		Alta	Bassa	Alta	Bassa
Capacità di perforazione	Acciaio	13 mm			
	Legno	Punta a tortiglione: 38 mm Punta self-feed: 50 mm Sega a tazza: 101 mm	Punta a tortiglione: 38 mm Punta self-feed: 65 mm Sega a tazza: 127 mm	Punta a tortiglione: 38 mm Punta self-feed: 50 mm Sega a tazza: 101 mm	Punta a tortiglione: 38 mm Punta self-feed: 65 mm Sega a tazza: 127 mm
Velocità a vuoto		0 - 1.400 min ⁻¹	0 - 450 min ⁻¹	0 - 1.400 min ⁻¹	0 - 450 min ⁻¹
Lunghezza complessiva (cartuccia della batteria BL1860B inclusa)		434 mm			
Tensione nominale		18 V CC			
Peso netto		Da 3,2 a 3,5 kg		Da 3,0 a 3,3 kg	

- A causa del nostro programma continuativo di ricerca e sviluppo, i dati tecnici sono soggetti a modifiche senza preavviso.
- I dati tecnici possono variare da nazione a nazione.
- Il peso può variare a seconda dell'accessorio o degli accessori, inclusa la cartuccia della batteria. La combinazione più leggera e quella più pesante, secondo la procedura EPTA 01/2014, sono indicate nella tabella.

Cartuccia della batteria e caricabatterie applicabili

Cartuccia della batteria	BL1815N / BL1820B / BL1830B / BL1840B / BL1850B / BL1860B
Caricabatterie	DC18RC / DC18RD / DC18RE / DC18SD / DC18SE / DC18SF / DC18SH / DC18WC

- Alcune cartucce delle batterie e alcuni caricabatterie elencati sopra potrebbero non essere disponibili a seconda della propria area geografica di residenza.

⚠AVVERTIMENTO: Utilizzare solo le cartucce delle batterie e i caricabatterie elencati sopra. L'utilizzo di altre cartucce delle batterie e di altri caricabatterie potrebbe causare lesioni personali e/o un incendio.

Utilizzo previsto

Questo utensile è progettato per la foratura di legno, metallo e plastica.

Rumore

Livello tipico di rumore pesato A determinato in base allo standard EN62841-2-1:

Livello di pressione sonora (L_{pA}): 83 dB (A)

Livello di potenza sonora (L_{WA}): 94 dB (A)

Incertezza (K): 3 dB (A)

NOTA: Il valore o i valori dichiarati delle emissioni di rumori sono stati misurati in conformità a un metodo standard di verifica, e possono essere utilizzati per confrontare un utensile con un altro.

NOTA: Il valore o i valori dichiarati delle emissioni di rumori possono venire utilizzati anche per una valutazione preliminare dell'esposizione.

⚠AVVERTIMENTO: Indossare protezioni per le orecchie.

⚠AVVERTIMENTO: L'emissione di rumori durante l'utilizzo effettivo dell'utensile elettrico può variare rispetto al valore o ai valori dichiarati, a seconda dei modi in cui viene utilizzato l'utensile e specialmente a seconda di che tipo di pezzo venga lavorato.

⚠AVVERTIMENTO: Accertarsi di identificare misure di sicurezza per la protezione dell'operatore che siano basate su una stima dell'esposizione nelle condizioni effettive di utilizzo (tenendo conto di tutte le parti del ciclo operativo, ad esempio del numero di spegnimenti dell'utensile e di quando giri a vuoto, oltre al tempo di attivazione).

Vibrazioni

Valore totale delle vibrazioni (somma vettoriale triassiale) determinato in base allo standard EN62841-2-1: Modalità di lavoro: foratura del metallo Emissione di vibrazioni ($a_{h,D}$): 2,5 m/s² o inferiore Incertezza (K): 1,5 m/s²

NOTA: Il valore o i valori complessivi delle vibrazioni dichiarati sono stati misurati in conformità a un metodo standard di verifica, e possono essere utilizzati per confrontare un utensile con un altro.

NOTA: Il valore o i valori complessivi delle vibrazioni dichiarati possono venire utilizzati anche per una valutazione preliminare dell'esposizione.

⚠AVVERTIMENTO: L'emissione delle vibrazioni durante l'utilizzo effettivo dell'utensile elettrico può variare rispetto al valore o ai valori dichiarati, a seconda dei modi in cui viene utilizzato l'utensile, specialmente a seconda di che tipo di pezzo venga lavorato.

⚠AVVERTIMENTO: Accertarsi di identificare misure di sicurezza per la protezione dell'operatore che siano basate su una stima dell'esposizione nelle condizioni effettive di utilizzo (tenendo conto di tutte le parti del ciclo operativo, ad esempio del numero di spegnimenti dell'utensile e di quando giri a vuoto, oltre al tempo di attivazione).

Dichiarazione di conformità CE

Solo per i paesi europei

La dichiarazione di conformità CE è inclusa nell'Allegato A al presente manuale di istruzioni.

AVVERTENZE DI SICUREZZA

Avvertenze generali relative alla sicurezza dell'utensile elettrico

⚠AVVERTIMENTO: Leggere tutte le avvertenze di sicurezza, le istruzioni, le illustrazioni e i dati tecnici forniti con il presente utensile elettrico. La mancata osservanza di tutte le istruzioni elencate di seguito potrebbe risultare in scosse elettriche, incendi e/o gravi lesioni personali.

Conservare tutte le avvertenze e le istruzioni come riferimento futuro.

Il termine "utensile elettrico" nelle avvertenze si riferisce sia all'utensile elettrico (cablato) nel funzionamento alimentato da rete elettrica che all'utensile elettrico (a batteria) nel funzionamento alimentato a batteria.

Avvertenze per la sicurezza del trapano a batteria

Istruzioni di sicurezza relative a tutte le operazioni

1. **Utilizzare il manico o i manici ausiliari.** La perdita di controllo può causare lesioni personali.
2. **Mantenere l'utensile elettrico mediante le superfici di impugnatura isolate, quando si intende eseguire un'operazione in cui l'accessorio da taglio potrebbe entrare in contatto con fili elettrici nascosti.** Un accessorio di taglio che entri in contatto con un filo elettrico sotto tensione potrebbe mettere sotto tensione le parti metalliche esposte dell'utensile elettrico e dare una scossa elettrica all'operatore.

3. **Accertarsi sempre di appoggiare i piedi saldamente.** Quando si intende utilizzare l'utensile in ubicazioni elevate, accertarsi sempre che non sia presente alcuna persona sotto.
4. **Tenere saldamente l'utensile.**
5. **Tenere le mani lontane dalle parti rotanti.**
6. **Non lasciare l'utensile mentre sta funzionando.** Far funzionare l'utensile solo mentre lo si tiene in mano.
7. **Non toccare la punta per trapano o il pezzo immediatamente dopo l'uso;** la loro temperatura potrebbe essere estremamente elevata e potrebbero causare ustioni.
8. **Alcuni materiali contengono sostanze chimiche che potrebbero essere tossiche.** Fare attenzione a evitare l'inalazione della polvere e il contatto con la pelle. Attenersi ai dati relativi alla sicurezza del fornitore del materiale.
9. **Qualora non sia possibile liberare la punta per trapano anche se si aprono le griffe, utilizzare delle pinze per estrarla.** In questa circostanza, qualora si estraiga la punta per trapano con la mano, si potrebbero causare lesioni personali dovute al suo bordo affilato.
10. **Qualora si notino problemi con l'utensile, ad esempio suoni anomali, interrompere immediatamente l'utilizzo dell'utensile e rivolgersi al proprio centro di assistenza Makita locale per la riparazione.**
11. **Prima dell'uso, accertarsi che nel suolo non siano presenti oggetti sepolti, quali canaline elettriche, tubi dell'acqua o tubi del gas.** In caso contrario, l'utensile potrebbe toccarli, causando scosse elettriche, dispersioni elettriche o fughe di gas.

Istruzioni di sicurezza quando si utilizzano punte per trapano lunghe

1. **Non far funzionare mai l'utensile a una velocità più elevata della velocità nominale massima della punta per trapano.** Alle velocità più elevate, è probabile che la punta si pieghi, qualora la si lasci ruotare liberamente senza entrare in contatto con il pezzo in lavorazione, il che potrebbe risultare in lesioni personali.
2. **Iniziare sempre a perforare a bassa velocità e con l'estremità della punta in contatto con il pezzo in lavorazione.** Alle velocità più elevate, è probabile che la punta si pieghi, qualora la si lasci ruotare liberamente senza entrare in contatto con il pezzo in lavorazione, il che potrebbe risultare in lesioni personali.
3. **Applicare pressione solo allineandosi senza inclinazioni con la punta, e non applicare pressione eccessiva.** Le punte possono piegarsi, causando rotture o perdita di controllo e risultando in lesioni personali.

CONSERVARE LE PRESENTI ISTRUZIONI.

⚠AVVERTIMENTO: NON lasciare che comodità o la familiarità d'utilizzo con il prodotto (acquisita con l'uso ripetuto) sostituisca la stretta osservanza delle norme di sicurezza per il prodotto in questione. L'USO IMPROPRIO o la mancata osservanza delle norme di sicurezza indicate nel presente manuale di istruzioni potrebbero causare gravi lesioni personali.

Istruzioni di sicurezza importanti per la cartuccia della batteria

1. Prima di utilizzare la cartuccia della batteria, leggere tutte le istruzioni e le avvertenze riportate (1) sul caricabatteria, (2) sulla batteria e (3) sul prodotto che utilizza la batteria.
2. Non smantellare né manomettere la cartuccia della batteria. In caso contrario, si potrebbe causare un incendio, calore eccessivo o un'esplosione.
3. Qualora il tempo di utilizzo si riduca eccessivamente, interrompere immediatamente l'utilizzo dell'utensile. In caso contrario, si può incorrere nel rischio di surriscaldamento, possibili ustioni e persino un'esplosione.
4. Qualora l'elettrolita entri in contatto con gli occhi, sciacquarli con acqua pulita e richiedere immediatamente assistenza medica. Questa eventualità può risultare nella perdita della vista.
5. Non cortocircuitare la cartuccia della batteria:
 - (1) Non toccare i terminali con alcun materiale conduttivo.
 - (2) Evitare di conservare la cartuccia della batteria in un contenitore insieme ad altri oggetti metallici quali chiodi, monete, e così via.
 - (3) Non esporre la cartuccia della batteria all'acqua o alla pioggia.

Un cortocircuito della batteria può causare un grande flusso di corrente, un surriscaldamento, possibili ustioni e persino un guasto.

6. Non conservare e utilizzare l'utensile e la cartuccia della batteria in ubicazioni in cui la temperatura possa raggiungere o superare i 50°C.
7. Non incenerire la cartuccia della batteria anche qualora sia gravemente danneggiata o completamente esaurita. La cartuccia della batteria può esplodere se a contatto con il fuoco.
8. Non inchiodare, tagliare, schiacciare, lanciare o far cadere la cartuccia della batteria, né farla urtare con forza contro un oggetto duro. Questi comportamenti potrebbero risultare in un incendio, calore eccessivo o un'esplosione.
9. Non utilizzare una batteria danneggiata.
10. Le batterie a ioni di litio contenute sono soggette ai requisiti del regolamento sul trasporto di merci pericolose (Dangerous Goods Legislation).

Per trasporti commerciali, ad esempio da parte di terzi o spedizionieri, è necessario osservare dei requisiti speciali sull'imballaggio e sull'etichetta. Per la preparazione dell'articolo da spedire, è richiesta la consulenza di un esperto in materiali pericolosi. Attenersi anche alle normative nazionali, che potrebbero essere più dettagliate. Nasstrare o coprire i contatti aperti e imballare la batteria in modo tale che non si possa muovere liberamente all'interno dell'imballaggio.

11. Quando si intende smaltire la cartuccia della batteria, rimuoverla dall'utensile e smaltirla in un luogo sicuro. Attenersi alle normative locali relative allo smaltimento della batteria.

12. Utilizzare le batterie esclusivamente con i prodotti specificati da Makita. L'installazione delle batterie in prodotti non compatibili potrebbe risultare in incendi, calore eccessivo, esplosioni o perdite di liquido elettrolitico.
13. Se l'utensile non viene utilizzato per un periodo di tempo prolungato, la batteria deve essere rimossa dall'utensile.
14. Durante e dopo l'uso, la cartuccia della batteria potrebbe assorbire calore, che può causare ustioni o ustioni a bassa temperatura. Fare attenzione a come si maneggiano le cartucce delle batterie estremamente calde.
15. Non toccare i terminali dell'utensile subito dopo l'uso, in quanto potrebbero diventare estremamente caldi al punto da causare ustioni.
16. Evitare di far incastrare schegge, polveri o terreno nei terminali, nei fori e nelle scanalature della cartuccia della batteria. In caso contrario, l'utensile o la cartuccia della batteria potrebbero riscaldarsi, prendere fuoco, scoppiare o guastarsi, causando ustioni o lesioni personali.
17. A meno che l'utensile supporti l'uso in prossimità di linee elettriche ad alta tensione, non utilizzare la cartuccia della batteria in prossimità di linee elettriche ad alta tensione. In caso contrario, si potrebbe causare un malfunzionamento o la rottura dell'utensile o della cartuccia della batteria.
18. Tenere la batteria lontana dai bambini.

CONSERVARE LE PRESENTI ISTRUZIONI.

ATTENZIONE: Utilizzare solo batterie originali Makita. L'utilizzo di batterie Makita non originali, o di batterie che siano state alterate, potrebbe risultare nello scoppio della batteria, causando incendi, lesioni personali e danni. Inoltre, ciò potrebbe invalidare la garanzia Makita per l'utensile e il caricabatterie Makita.

Suggerimenti per preservare la durata massima della batteria

1. Caricare la cartuccia della batteria prima che si scarichi completamente. Smettere sempre di utilizzare l'utensile e caricare la cartuccia della batteria quando si nota che la potenza dell'utensile è diminuita.
2. Non ricaricare mai una cartuccia della batteria completamente carica. La sovraccarica riduce la vita utile della batteria.
3. Caricare la cartuccia della batteria a una temperatura ambiente compresa tra 10 °C e 40 °C. Lasciar raffreddare una cartuccia della batteria prima di caricarla.
4. Quando non si utilizza la cartuccia della batteria, rimuoverla dall'utensile o dal caricabatterie.
5. Caricare la cartuccia della batteria se non la si è utilizzata per un periodo di tempo prolungato (più di sei mesi).

DESCRIZIONE DELLE FUNZIONI

⚠ATTENZIONE: Accertarsi sempre che l'utensile sia spento e che la cartuccia della batteria sia stata rimossa prima di regolare o di controllare il funzionamento dell'utensile.

Installazione o rimozione della cartuccia della batteria

⚠ATTENZIONE: Spegnerne sempre l'utensile prima di installare o rimuovere la cartuccia della batteria.

⚠ATTENZIONE: Mantenere saldamente lo strumento e la batteria quando si intende installare o rimuovere la cartuccia della batteria. Qualora non si mantengano saldamente lo strumento e la cartuccia della batteria, questi ultimi potrebbero scivolare dalle mani, con la possibilità di causare un danneggiamento dello strumento e della cartuccia della batteria, nonché una lesione personale.

► **Fig. 1:** 1. Indicatore rosso 2. Pulsante 3. Cartuccia della batteria

Per rimuovere la cartuccia della batteria, farla scorrere via dall'utensile mentre si fa scorrere allo stesso tempo il pulsante sulla parte anteriore della cartuccia.

Per installare la cartuccia della batteria, allineare la linguetta sulla cartuccia della batteria con la scanalatura nell'alloggiamento e farla scivolare in sede. Inserirli completamente fino al suo blocco in sede con un leggero scatto. Se è possibile vedere l'indicatore rosso, come indicato nella figura, non è bloccata completamente.

⚠ATTENZIONE: Installare sempre fino in fondo la cartuccia della batteria, fino a quando l'indicatore rosso non è più visibile. In caso contrario, la batteria potrebbe cadere accidentalmente dall'utensile, causando lesioni personali all'operatore o a chi gli è vicino.

⚠ATTENZIONE: Non installare forzatamente la cartuccia della batteria. Qualora la batteria non si inserisca scorrendo agevolmente, vuol dire che non viene inserita correttamente.

Indicazione della carica residua della batteria

Solo per cartucce delle batterie dotate di indicatore

► **Fig. 2:** 1. Indicatori luminosi 2. Pulsante di controllo
Premere il pulsante di controllo sulla cartuccia della batteria per indicare la carica residua della batteria. Gli indicatori luminosi si illuminano per alcuni secondi.

Indicatori luminosi			Carica residua
■ Illuminato	□ Spento	▬ Lampeggiante	
■ ■ ■ ■			Dal 75% al 100%
■ ■ ■ □			Dal 50% al 75%
■ ■ □ □			Dal 25% al 50%
■ □ □ □			Dallo 0% al 25%
▬ □ □ □			Caricare la batteria.
■ ■ □ □			La batteria potrebbe essersi guastata.
□ □ ■ ■		↑ ↓	

NOTA: A seconda delle condizioni d'uso e della temperatura ambiente, l'indicazione potrebbe variare leggermente rispetto alla carica effettiva.

NOTA: Il primo indicatore luminoso (all'estremità sinistra) lampeggia quando il sistema di protezione della batteria è in funzione.

Sistema di protezione strumento/batteria

L'utensile è dotato di un sistema di protezione dell'utensile stesso e della batteria. Tale sistema interrompe automaticamente l'alimentazione al motore per prolungare la vita utile dell'utensile e della batteria. L'utensile si arresta automaticamente durante il funzionamento, qualora l'utensile o la batteria vengano a trovarsi in una delle condizioni seguenti:

Protezione dal sovraccarico

Quando si utilizza l'utensile o la batteria in un modo tale da causare un assorbimento di corrente elevato in modo anomalo, l'utensile si arresta automaticamente. In questa circostanza, spegnere l'utensile e interrompere l'applicazione che ha causato il sovraccarico dell'utensile. Quindi, accendere l'utensile per ricominciare.

Protezione dal surriscaldamento

Quando l'utensile o la batteria sono surriscaldati, l'utensile si arresta automaticamente e la lampada lampeggia. In questa circostanza, lasciar raffreddare l'utensile prima di riaccenderlo.

Protezione dalla sovrascarica

Quando la carica della batteria non è sufficiente, l'utensile si arresta automaticamente. In tal caso, rimuovere la batteria dall'utensile e caricarla.

Funzionamento dell'interruttore

⚠ATTENZIONE: Prima di inserire la cartuccia della batteria nell'utensile, controllare sempre che l'interruttore a grilletto funzioni correttamente e torni sulla posizione "OFF" quando viene rilasciato.

► Fig.3: 1. Interruttore a grilletto

Per avviare l'utensile, premere l'interruttore a grilletto. La velocità dell'utensile viene aumentata incrementando la pressione sull'interruttore a grilletto. Per arrestare l'utensile, rilasciare l'interruttore a grilletto.

NOTA: L'utensile si arresta automaticamente se si tiene premuto l'interruttore a grilletto per circa 6 minuti.

Accensione della lampadina anteriore

⚠ATTENZIONE: Non osservare né guardare direttamente la fonte di luce.

► Fig.4: 1. Lampadina

Premere l'interruttore a grilletto per accendere la lampadina. La lampadina resta accesa fintanto che l'interruttore a grilletto è premuto. La lampadina si spegne circa 10 secondi dopo che si è rilasciato l'interruttore a grilletto.

NOTA: Quando l'utensile è surriscaldato, si arresta automaticamente e la lampadina inizia a lampeggiare. In questo caso, rilasciare l'interruttore a grilletto. La lampadina si spegne dopo 1 minuto.

NOTA: Per pulire la sporcizia dalla lente della lampadina, utilizzare un panno asciutto. Fare attenzione a non graffiare la lente della lampadina, altrimenti si potrebbe ridurre l'illuminazione.

Uso del commutatore di inversione della rotazione

⚠ATTENZIONE: Controllare sempre la direzione di rotazione prima dell'uso.

⚠ATTENZIONE: Utilizzare il commutatore di inversione della rotazione solo dopo l'arresto completo dell'utensile. Qualora si cambi la direzione di rotazione prima dell'arresto dell'utensile, si potrebbe danneggiare quest'ultimo.

⚠ATTENZIONE: Quando l'utensile non è in uso, impostare sempre la leva del commutatore di inversione della rotazione sulla posizione centrale.

Questo utensile è dotato di un commutatore di inversione della rotazione, per cambiare la direzione di rotazione. Premere la leva del commutatore di inversione della rotazione dal lato A per la rotazione in senso orario, o dal lato B per la rotazione in senso antiorario. Quando la leva del commutatore di inversione della rotazione si trova sulla posizione centrale, non è possibile premere la leva dell'interruttore.

► Fig.5: 1. Leva del commutatore di inversione della rotazione

Modifica della velocità

AVVISO: Utilizzare la manopola di modifica della velocità solo dopo che l'utensile si è arrestato completamente. La modifica della velocità dell'utensile prima che quest'ultimo si arresti potrebbe danneggiare l'utensile.

AVVISO: Impostare sempre la manopola di modifica della velocità con precisione sulla posizione corretta. Qualora si utilizzi l'utensile con la manopola di modifica della velocità su una posizione intermedia tra la posizione 1 e la posizione 2, l'utensile potrebbe venire danneggiato.

AVVISO: Qualora la velocità di rotazione si riduca notevolmente durante il funzionamento in modalità ad alta velocità, arrestare l'utensile e cambiare la modalità su quella a bassa velocità. In caso contrario, il motore potrebbe sovraccaricarsi e causare un malfunzionamento o un incendio.

È possibile preselezionare due gamme di velocità con la manopola di modifica della velocità.

Per cambiare la velocità, ruotare la manopola di modifica della velocità in modo che la freccia punti verso la posizione 1 per la modalità a bassa velocità o verso la posizione 2 per la modalità ad alta velocità.

► Fig.6: 1. Freccia 2. Manopola di modifica della velocità

Funzione elettronica

Freno elettrico

Questo utensile è dotato di un freno elettrico. Qualora l'utensile non riesca ripetutamente a cessare di funzionare rapidamente dopo il rilascio dell'interruttore a grilletto, far sottoporre a riparazione l'utensile presso un centro di assistenza Makita.

Funzione di avvio "morbido"

Questa funzione consente di avviare con delicatezza l'utensile limitando la coppia di avviamento.

MONTAGGIO

⚠ATTENZIONE: Accertarsi sempre che l'utensile sia spento e che la cartuccia della batteria sia stata rimossa, prima di effettuare qualsiasi intervento sull'utensile.

Installazione dell'impugnatura laterale (manico ausiliario)

⚠ATTENZIONE: Accertarsi sempre che l'impugnatura laterale sia installata saldamente prima dell'uso.

Avvitare saldamente l'impugnatura laterale sull'utensile. È possibile installare l'impugnatura laterale da un lato o dall'altro dell'utensile, a seconda di quale sia più comodo.

► Fig.7: 1. Impugnatura laterale

Installazione del supporto per la chiave

(Specifico in base alla nazione)

ATTENZIONE: Prima dell'uso, accertarsi sempre che il supporto per la chiave sia installato saldamente.

Avvitare saldamente il supporto per la chiave sull'utensile. Quindi, inserire la chiave del mandrino in sede.

► **Fig.8:** 1. Supporto per la chiave 2. Vite 3. Chiave del mandrino

Installazione o rimozione della punta per trapano

Per il modello DDA450

Per installare la punta per trapano, inserirla nel mandrino fino in fondo. Serrare il mandrino con la mano. Inserire la chiave del mandrino in ciascuno dei tre fori e serrare in senso orario. Accertarsi di serrare tutti e tre i fori del mandrino in modo omogeneo.

Per rimuovere la punta per trapano, ruotare la chiave del mandrino in senso antiorario in un solo foro, quindi allentare il mandrino con la mano.

► **Fig.9:** 1. Chiave del mandrino

Dopo l'uso, riporre di nuovo la chiave del mandrino nell'apposito supporto sull'utensile, come indicato nella figura.

► **Fig.10:** 1. Supporto per la chiave

Per il modello DDA451

Utilizzare esclusivamente la punta per trapano designata con le dimensioni indicate nella figura.

A=11,2 mm (7/16")

► **Fig.11**

Per installare la punta per trapano, tirare il manicotto nella direzione della freccia e inserire la punta per trapano fino in fondo nel manicotto.

Quindi, rilasciare il manicotto per fissare la punta per trapano.

Per rimuovere la punta per trapano, tirare il manicotto nella direzione della freccia e tirare fuori la punta per trapano.

► **Fig.12:** 1. Punta per trapano 2. Manicotto

NOTA: Qualora la punta per trapano non sia inserita abbastanza in profondità nel manicotto, quest'ultimo non torna nella sua posizione originale e la punta per trapano non viene fissata. In tal caso, provare a reinserire la punta per trapano attenendosi alle istruzioni indicate sopra.

NOTA: Dopo aver inserito la punta per trapano, accertarsi che sia fissata saldamente. Qualora fuoriesca, non utilizzarla.

Gancio

ATTENZIONE: Rimuovere sempre la batteria quando si intende appendere l'utensile con il gancio.

ATTENZIONE: Non appendere mai l'utensile in un'ubicazione elevata o su una superficie potenzialmente instabile.

Il gancio è comodo per appendere temporaneamente l'utensile. Per utilizzare il gancio, è sufficiente sollevare il gancio fino a quando si innesta nella posizione aperta. Quando il gancio non è in uso, abbassarlo sempre fino a quando si innesta nella posizione chiusa.

► **Fig.13:** 1. Gancio

► **Fig.14**

Collegamento di un cordino (cinghia di sicurezza) al gancio

ATTENZIONE: Non utilizzare un gancio e viti danneggiati. Prima dell'uso, verificare sempre l'eventuale presenza di danni, spaccature o deformazioni, e accertarsi che le viti siano serrate.

ATTENZIONE: Accertarsi che il gancio sia installato saldamente con le viti.

ATTENZIONE: Non installare né rimuovere alcun accessorio mentre si tiene appeso l'utensile. L'utensile potrebbe cadere, qualora le viti non siano serrate.

ATTENZIONE: Utilizzare sempre un moschetone con ghiera (ad azionamento multiplo e con leva dotata di ghiera a vite) e accertarsi di fissare il cordino (cinghia di sicurezza) alla sezione con doppio anello del gancio. Un fissaggio errato potrebbe causare la caduta dell'utensile dal gancio e causare lesioni personali.

Il gancio va utilizzato anche per collegare il cordino (cinghia di sicurezza). Accertarsi di fissare il cordino (cinghia di sicurezza) alla sezione con doppio anello del gancio.

► **Fig.15:** 1. Sezione con doppio anello del gancio 2. Cordino (cinghia di sicurezza) 3. Moschetone con ghiera (ad azionamento multiplo e con leva dotata di ghiera a vite).

FUNZIONAMENTO

ATTENZIONE: Inserire sempre completamente la cartuccia della batteria, fino al suo arresto in sede. Qualora si veda l'indicatore rosso sul lato superiore del pulsante, la batteria non è bloccata completamente. Inserirla completamente, fino a quando l'indicatore rosso non è più visibile. In caso contrario, la batteria potrebbe fuoriuscire e cadere accidentalmente dall'utensile, causando lesioni personali all'operatore o a chi gli è vicino.

ATTENZIONE: Quando la velocità si riduce notevolmente, ridurre il carico o arrestare l'utensile per evitare di danneggiare l'utensile.

ATTENZIONE: Mantenere l'utensile saldamente quando lo si utilizza.

Come mantenere l'utensile

⚠ATTENZIONE: Questo è un utensile potente. Viene sviluppata una coppia elevata, ed è importante che l'utensile sia mantenuto saldamente e tenuto fermo puntellandolo in modo appropriato.

Afferrare la maniglia con una mano e la maniglia anteriore con l'altra mano.

► Fig. 16: 1. Maniglia anteriore 2. Maniglia

Operazione di foratura

Foratura del legno

Per la foratura del legno si ottengono i risultati migliori con i trapani per legno dotati di una vite guida. La vite guida rende più facile la foratura tirando la punta per trapano nel pezzo.

Foratura del metallo

Per evitare lo scivolamento della punta all'inizio della foratura, utilizzare un punzone per centri e un martello per creare un'intaccatura nel punto da forare. Posizionare l'estremità della punta per trapano nell'intaccatura e iniziare la foratura.

Quando si intende forare metalli, utilizzare un lubrificante per taglio. Le eccezioni sono il ferro e l'ottone, che vanno forati a secco.

⚠ATTENZIONE: Se si esercita una pressione eccessiva sull'utensile, non si accelera la foratura. In realtà, tale pressione eccessiva produce solo l'effetto di danneggiare l'estremità della punta per trapano e di ridurre le prestazioni e la vita utile dell'utensile.

⚠ATTENZIONE: Tenere saldamente l'utensile e fare attenzione quando la punta per trapano inizia a fuoriuscire dal pezzo. Sull'utensile/punta per trapano viene esercitata una forza estrema al momento della fuoriuscita dal foro.

⚠ATTENZIONE: Una punta per trapano incastrata può venire rimossa semplicemente impostando il commutatore di inversione della rotazione sulla rotazione invertita, in modo da far tornare indietro l'utensile. Tuttavia, l'utensile potrebbe tornare indietro bruscamente, qualora non venga impugnato saldamente.

⚠ATTENZIONE: Fissare sempre i pezzi in lavorazione in una morsa o un dispositivo simile per tenerli fermi.

⚠ATTENZIONE: Evitare di praticare fori in un materiale, qualora si sospetti che possa contenere chiodi o altri elementi che potrebbero causare l'inceppamento o la rottura della punta per trapano.

⚠ATTENZIONE: Qualora l'utensile venga fatto funzionare continuamente fino a quando la cartuccia della batteria si è scaricata, lasciar riposare l'utensile per 15 minuti, prima di procedere con una batteria carica.

Collegamento di un cordino (cinghia di sicurezza)

⚠Avvertenze di sicurezza specifiche per l'utilizzo in altezza

Leggere tutte le avvertenze di sicurezza e le istruzioni. La mancata osservanza delle avvertenze e delle istruzioni potrebbe risultare in gravi lesioni personali.

1. **Tenere sempre l'utensile legato con un cordino quando si lavora "in altezza".** La lunghezza massima del cordino è di 2 m. L'altezza di caduta massima consentita per il cordino (cinghia di sicurezza) non deve superare i 2 m.
2. **Utilizzare solo cordini appropriati per questo tipo di utensile e omologati per almeno 5,0 kg (11,0 lbs).**
3. **Non ancorare il cordino dell'utensile ad alcunché sul proprio corpo o su componenti mobili. Ancorare il cordino dell'utensile a una struttura rigida in grado di sopportare le forze di un utensile caduto.**
4. **Accertarsi che il cordino sia fissato correttamente a ciascuna estremità prima dell'uso.**
5. **Ispezionare l'utensile e il cordino prima di ciascun utilizzo alla ricerca di eventuali danni e per verificarne il funzionamento corretto (incluso il tessuto e le cuciture). Non utilizzarlo qualora sia danneggiato o non funzioni correttamente.**
6. **Non avvolgere i cordini intorno a bordi affilati o ruvidi, né consentire che entrino in contatto con bordi affilati o ruvidi.**
7. **Fissare l'altra estremità del cordino al di fuori dell'area di lavoro, in modo che un utensile che cada venga mantenuto saldamente.**
8. **Montare il cordino in modo che l'utensile, qualora cada, si allontani dall'operatore.** Gli utensili caduti dondolano sul cordino, il che potrebbe causare lesioni personali o perdita di equilibrio.
9. **Non utilizzarlo in prossimità di parti mobili o macchinari in funzione.** La mancata osservanza di questa indicazione potrebbe risultare in uno schiacciamento o nel pericolo che resti impigliato.
10. **Non trasportare l'utensile mediante il dispositivo di fissaggio o il cordino.**
11. **Passare l'utensile da una mano all'altra solo quando si è correttamente bilanciati.**
12. **Non fissare i cordini all'utensile in un modo che impedisca il corretto funzionamento di protezioni, interruttori o dispositivi di blocco.**
13. **Evitare di restare impigliati nel cordino.**
14. **Tenere il cordino lontano dall'area di taglio dell'utensile.**
15. **Utilizzare moschettoni ad azionamento multiplo o con leva dotata di ghiera a vite. Non utilizzare moschettoni a scatto con clip a molla.**
16. **Nel caso che l'utensile venga fatto cadere, deve essere etichettato e rimosso dal servizio, e dovrebbe venire sottoposto a ispezione presso una fabbrica Makita o un centro di assistenza autorizzato Makita.**

MANUTENZIONE

⚠ATTENZIONE: Accertarsi sempre che l'utensile sia spento e che la cartuccia della batteria sia stata rimossa prima di tentare di eseguire interventi di ispezione o manutenzione.

AVVISO: Non utilizzare mai benzina, benzene, solventi, alcol o altre sostanze simili. In caso contrario, si potrebbero causare scolorimenti, deformazioni o crepe.

Per preservare la SICUREZZA e l'AFFIDABILITÀ del prodotto, le riparazioni e qualsiasi altro intervento di manutenzione e di regolazione devono essere eseguiti da un centro di assistenza autorizzato Makita, utilizzando sempre ricambi Makita.

ACCESSORI OPZIONALI

⚠ATTENZIONE: Questi accessori o componenti aggiuntivi sono consigliati per l'uso con l'utensile Makita specificato nel presente manuale. L'impiego di altri accessori o componenti aggiuntivi può costituire un rischio di lesioni alle persone. Utilizzare gli accessori o i componenti aggiuntivi solo per il loro scopo prefissato.

Per ottenere ulteriori dettagli relativamente a questi accessori, rivolgersi a un centro di assistenza Makita.

- Punte per trapano
- Batteria e caricabatterie originali Makita

NOTA: Alcuni articoli nell'elenco potrebbero essere inclusi nell'imballaggio dell'utensile come accessori standard. Tali articoli potrebbero variare da nazione a nazione.

TECHNISCHE GEGEVENS

Model:		DDA450		DDA451	
Toerental		Hoog	Laag	Hoog	Laag
Boorcapaciteiten	Staal	13 mm			
	Hout	Spiraalbit: 38 mm Zelftappend bit: 50 mm Gatenzaag: 101 mm	Spiraalbit: 38 mm Zelftappend bit: 65 mm Gatenzaag: 127 mm	Spiraalbit: 38 mm Zelftappend bit: 50 mm Gatenzaag: 101 mm	Spiraalbit: 38 mm Zelftappend bit: 65 mm Gatenzaag: 127 mm
Nullasttoerental		0 - 1.400 min ⁻¹	0 - 450 min ⁻¹	0 - 1.400 min ⁻¹	0 - 450 min ⁻¹
Totale lengte (met accu BL1860B)		434 mm			
Nominale spanning		18 V gelijkstroom			
Nettogewicht		3,2 - 3,5 kg		3,0 - 3,3 kg	

- In verband met ononderbroken research en ontwikkeling, behouden wij ons het recht voor de bovenstaande technische gegevens zonder voorafgaande kennisgeving te wijzigen.
- De technische gegevens kunnen van land tot land verschillen.
- Het gewicht kan verschillen afhankelijk van de hulpstukken, waaronder de accu. De lichtste en zwaarste combinatie, overeenkomstig de EPTA-procedure 01/2014, worden getoond in de tabel.

Toepasselijke accu's en laders

Accu	BL1815N / BL1820B / BL1830B / BL1840B / BL1850B / BL1860B
Lader	DC18RC / DC18RD / DC18RE / DC18SD / DC18SE / DC18SF / DC18SH / DC18WC

- Sommige van de hierboven vermelde accu's en laders zijn mogelijk niet leverbaar afhankelijk van waar u woont.

⚠ WAARSCHUWING: Gebruik uitsluitend de accu's en laders die hierboven worden genoemd. Gebruik van enige andere accu of lader kan leiden tot letsel en/of brand.

Gebruiksdoeleinden

Dit gereedschap is bedoeld voor het boren in hout, metaal en kunststof.

Geluidsniveau

De typische, A-gewogen geluidsniveaus zijn gemeten volgens EN62841-2-1:

Geluidsdrukniveau (L_{pA}): 83 dB (A)

Geluidsvermogeniveau (L_{WA}): 94 dB (A)

Onzekerheid (K): 3 dB (A)

OPMERKING: De opgegeven geluidsemisiewaarde(n) is/zijn gemeten volgens een standaardtestmethode en kan/kunnen worden gebruikt om dit gereedschap te vergelijken met andere gereedschappen.

OPMERKING: De opgegeven geluidsemisiewaarde(n) kan/kunnen ook worden gebruikt voor een beoordeling vooraf van de blootstelling.

⚠ WAARSCHUWING: Draag gehoorbescherming.

⚠ WAARSCHUWING: De geluidsemisatie tijdens het gebruik van het elektrisch gereedschap in de praktijk kan verschillen van de opgegeven waarde(n) afhankelijk van de manier waarop het gereedschap wordt gebruikt, met name van het soort werkstuk waarmee wordt gewerkt.

⚠ WAARSCHUWING: Zorg ervoor dat veiligheidsmaatregelen worden getroffen ter bescherming van de gebruiker die zijn gebaseerd op een schatting van de blootstelling onder praktijkomstandigheden (rekening houdend met alle fasen van de bedrijfscyclus, zoals de tijdsduur gedurende welke het gereedschap is uitgeschakeld en stationair draait, naast de ingeschakelde tijdsduur).

Trilling

De totale trillingswaarde (triaxiale vectorsom) zoals vastgesteld volgens EN62841-2-1:

Gebruikstoepassing: boren in metaal

Trillingsemisatie ($a_{h,D}$): 2,5 m/s² of lager

Onzekerheid (K): 1,5 m/s²

OPMERKING: De totale trillingswaarde(n) is/zijn gemeten volgens een standaardtestmethode en kan/kunnen worden gebruikt om dit gereedschap te vergelijken met andere gereedschappen.

OPMERKING: De opgegeven totale trillingswaarde(n) kan/kunnen ook worden gebruikt voor een beoordeling vooraf van de blootstelling.

⚠️ WAARSCHUWING: De trillingsemissie tijdens het gebruik van het elektrisch gereedschap in de praktijk kan verschillen van de opgegeven waarde(n) afhankelijk van de manier waarop het gereedschap wordt gebruikt, met name van het soort werkstuk waarmee wordt gewerkt.

⚠️ WAARSCHUWING: Zorg ervoor dat veiligheidsmaatregelen worden getroffen ter bescherming van de gebruiker die zijn gebaseerd op een schatting van de blootstelling onder praktijkomstandigheden (rekening houdend met alle fasen van de bedrijfscyclus, zoals de tijdsduur gedurende welke het gereedschap is uitgeschakeld en stationair draait, naast de ingeschakelde tijdsduur).

EG-verklaring van conformiteit

Alleen voor Europese landen

De EG-verklaring van conformiteit is bijgevoegd als Bijlage A bij deze gebruiksaanwijzing.

VEILIGHEIDSWAARSCHUWINGEN

Algemene veiligheidswaarschuwingen voor elektrisch gereedschap

⚠️ WAARSCHUWING: Lees alle veiligheidswaarschuwingen, aanwijzingen, afbeeldingen en technische gegevens behorend bij dit elektrische gereedschap aandachtig door. Als u niet alle onderstaande aanwijzingen naleeft, kan dat resulteren in brand, elektrische schokken en/of ernstig letsel.

Bewaar alle waarschuwingen en instructies om in de toekomst te kunnen raadplegen.

De term "elektrisch gereedschap" in de veiligheidsvoorschriften duidt op gereedschappen die op stroom van het lichtnet werken (met snoer) of gereedschappen met een accu (snoerloos).

Veiligheidswaarschuwingen voor een accuboormachine

Veiligheidsinstructies voor alle werkzaamheden

1. **Gebruik de hulphandgreep (hulphandgrepen).** Verliezen van de macht over het gereedschap kan letsel veroorzaken.

2. **Houd het elektrisch gereedschap alleen vast aan de geïsoleerde handgrepen wanneer de kans bestaat dat het accessoire in aanraking komt met verborgen bedrading.** Wanneer accessoires in aanraking komen met onder spanning staande draden, zullen de niet-geïsoleerde metalen delen van het gereedschap onder spanning komen te staan zodat de gebruiker een elektrische schok kan krijgen.
3. **Zorg ook altijd dat u stevig op een solide bodem staat. Let bij het werken op hoge plaatsen op dat er zich niemand recht onder u bevindt.**
4. **Houd het gereedschap stevig vast.**
5. **Houd uw handen uit de buurt van draaiende onderdelen.**
6. **Laat het gereedschap niet draaiend achter. Schakel het gereedschap alleen in wanneer u het stevig vasthoudt.**
7. **Raak direct na uw werk het boorbit of het werkstuk niet aan. Zij kunnen bijzonder heet zijn en brandwonden op uw huid veroorzaken.**
8. **Bepaalde materialen kunnen giftige chemicaliën bevatten. Vermijd contact met uw huid en zorg dat u geen stof inademt. Volg de veiligheidsvoorschriften van de fabrikant van het materiaal.**
9. **Als het boorbit niet kan worden losgemaakt ondanks dat de klauwen geopend zijn, gebruikt u een tang om het eruit te trekken. In dat geval kan met de hand eruit trekken leiden tot letsel vanwege zijn scherpe rand.**
10. **Als er een probleem is met het gereedschap, bijvoorbeeld een abnormaal geluid, stopt u onmiddellijk met het gebruik van het gereedschap en vraagt u uw plaatselijke Makita-servicecentrum het te repareren.**
11. **Verzeker u er vóór gebruik van dat er geen verborgen voorwerpen, zoals elektriciteits-, water- en gasleidingen, in de grond zitten. Anders kan het gereedschap deze raken, waardoor een elektrische schok, lekstroom of gaslek kan ontstaan.**

Veiligheidsinstructies bij gebruik van lange boorbits

1. **Gebruik nooit op een hoger toerental dan het maximale nominale toerental van het boorbit.** Op een hoger toerental zal het bit waarschijnlijk verbuigen als het vrij ronddraait zonder contact met het werkstuk, waardoor persoonlijk letsel kan ontstaan.
2. **Begin altijd te boren op een laag toerental en terwijl de punt van het bit contact maakt met het werkstuk.** Op een hoger toerental zal het bit waarschijnlijk verbuigen als het vrij ronddraait zonder contact met het werkstuk, waardoor persoonlijk letsel kan ontstaan.
3. **Oefen alleen druk uit in een rechte lijn met het bit en oefen geen buitensporige druk uit.** Bits kunnen verbuigen waardoor ze kunnen breken of u de controle kunt verliezen, met persoonlijk letsel tot gevolg.

BEWAAR DEZE INSTRUCTIES.

⚠️ WAARSCHUWING: Laat u **NIET** misleiden door een vals gevoel van comfort en bekendheid met het gereedschap (na veelvuldig gebruik) en neem alle veiligheidsvoorschriften van het betreffende gereedschap altijd strikt in acht. **VERKEERD GEBRUIK** of het niet naleven van de veiligheidsvoorschriften in deze gebruiksaanwijzing kan leiden tot ernstig persoonlijk letsel.

Belangrijke veiligheidsinstructies voor een accu

1. Lees alle voorschriften en waarschuwingen op (1) de acculader, (2) de accu, en (3) het product waarvoor de accu wordt gebruikt, alvorens de accu in gebruik te nemen.
2. Haal de accu niet uit elkaar en saboteer hem niet. Dit kan leiden tot brand, buitensporige hitte of een explosie.
3. Als de gebruikstijd van een opgeladen accu aanzienlijk korter is geworden, moet u het gebruik ervan onmiddellijk stopzetten. Voortgezet gebruik kan oververhitting, brandwonden en zelfs een ontploffing veroorzaken.
4. Als elektrolyt in uw ogen is terechtgekomen, spoelt u uw ogen met schoon water en roept u onmiddellijk de hulp van een dokter in. Elektrolyt in de ogen kan blindheid veroorzaken.
5. **Voorkom kortsluiting van de accu:**
 - (1) Raak de accuklemmen nooit aan met een geleidend materiaal.
 - (2) Bewaar de accu niet in een bak waarin andere metalen voorwerpen zoals spijkers, munten e.d. worden bewaard.
 - (3) Stel de accu niet bloot aan water of regen. Kortsluiting van de accu kan oorzaak zijn van een grote stroomafgifte, oververhitting, brandwonden, en zelfs defecten.
6. Bewaar en gebruik het gereedschap en de accu niet op plaatsen waar de temperatuur kan oplopen tot 50 °C of hoger.
7. Werp de accu nooit in het vuur, ook niet wanneer hij zwaar beschadigd of volledig versleten is. De accu kan ontploffen in het vuur.
8. Laat de accu niet vallen, sla er geen spijker in, snijd er niet in, gooi er niet mee en stoot hem niet tegen een hard voorwerp. Dergelijke handelingen kunnen leiden tot brand, buitensporige hitte of een explosie.
9. **Gebruik nooit een beschadigde accu.**
10. **De bijgeleverde lithium-ionbatterijen zijn onderhevig aan de vereisten in de wetgeving omtrent gevaarlijke stoffen.**

Voor commercieel transport en dergelijke door derden en transporteurs moeten speciale vereisten ten aanzien van verpakking en etikettering worden nageleefd. Als voorbereiding van het artikel dat wordt getransporteerd is het noodzakelijk een expert op het gebied van gevaarlijke stoffen te raadplegen. Houd u tevens aan mogelijk strengere nationale regelgeving. Blootliggende contactpunten moeten worden afgedekt met tape en de accu moet zodanig worden verpakt dat deze niet kan bewegen in de verpakking.

11. Wanneer u de accu wilt weggooien, verwijdert u de accu vanaf het gereedschap en gooit u hem op een veilige manier weg. Volg bij het weggooien van de accu de plaatselijke voorschriften.
12. Gebruik de accu's uitsluitend met de gereedschappen die door Makita zijn aanbevolen. Als de accu's worden aangebracht in niet-compatibele gereedschappen, kan dat leiden tot brand, buitensporige warmteontwikkeling, een explosie of lekkage van elektrolyt.
13. Als u het gereedschap gedurende een lange tijd niet denkt te gaan gebruiken, moet de accu vanaf het gereedschap worden verwijderd.
14. Tijdens en na gebruik, kan de accu heet worden waardoor brandwonden of koude brandwonden kunnen worden veroorzaakt. Wees voorzichtig bij het hanteren van een hete accu.
15. Raak de aansluitpunten van het gereedschap niet onmiddellijk na gebruik aan omdat deze heet genoeg kunnen zijn om brandwonden te veroorzaken.
16. Zorg ervoor dat geen steenslag, stof of grond vast komt te zitten op/in de aansluitpunten, openingen en groeven van de accu. Hierdoor kan oververhitting, brand, een barst en een storing in het gereedschap of de accu ontstaan waardoor brandwonden of persoonlijk letsel kunnen ontstaan.
17. Behalve indien gebruik van het gereedschap is toegestaan in de buurt van hoogspanningsleidingen, mag u de accu niet gebruiken in de buurt van een hoogspanningsleiding. Dit kan leiden tot een storing of een defect van het gereedschap of de accu.
18. Houd de accu uit de buurt van kinderen.

BEWAAR DEZE INSTRUCTIES.

⚠️ LET OP: Gebruik uitsluitend originele Makita accu's. Het gebruik van niet-originele accu's, of accu's die zijn gewijzigd, kan ertoe leiden dat de accu ontploft en brand, persoonlijk letsel en schade veroorzaakt. Ook vervalt daarmee de garantie van Makita op het gereedschap en de lader van Makita.

Tips voor een maximale levensduur van de accu

1. Laad de accu op voordat hij volledig ontladen is. Stop het gebruik van het gereedschap en laad de accu op telkens wanneer u vaststelt dat het vermogen van het gereedschap is afgenomen.
2. Laad een volledig opgeladen accu nooit opnieuw op. Te lang opladen verkort de levensduur van de accu.
3. Laad de accu op bij een omgevingstemperatuur tussen 10 °C en 40 °C. Laat een warme accu afkoelen alvorens hem op te laden.
4. Als de accu niet wordt gebruikt, verwijdert u hem vanaf het gereedschap of de lader.
5. Laad de accu op als u deze gedurende een lange tijd (meer dan zes maanden) niet gaat gebruiken.

BESCHRIJVING VAN DE FUNCTIES

⚠ LET OP: Zorg altijd dat het gereedschap is uitgeschakeld en de accu ervan is verwijderd alvorens de functies op het gereedschap af te stellen of te controleren.

De accu aanbrengen en verwijderen

⚠ LET OP: Schakel het gereedschap altijd uit voordat u de accu aanbrengt of verwijderd.

⚠ LET OP: Houd het gereedschap en de accu stevig vast tijdens het aanbrengen of verwijderen van de accu. Als u het gereedschap en de accu niet stevig vasthoudt, kunnen deze uit uw handen glippen en het gereedschap of de accu beschadigen, of kan persoonlijk letsel worden veroorzaakt.

► Fig.1: 1. Rood deel 2. Knop 3. Accu

Om de accu te verwijderen verschuift u de knop aan de voorkant van de accu en schuift u tegelijkertijd de accu uit het gereedschap.

Om de accu aan te brengen lijnt u de lip op de accu uit met de groef in de behuizing en duwt u de accu op zijn plaats. Steek de accu zo ver mogelijk in het gereedschap tot u een klikgeluid hoort. Wanneer het rode deel zichtbaar is, zoals aangegeven in de afbeelding, is de accu niet geheel vergrendeld.

⚠ LET OP: Breng de accu altijd helemaal aan totdat het rode deel niet meer zichtbaar is. Als u dit niet doet, kan de accu per ongeluk uit het gereedschap vallen en u of anderen in uw omgeving verwonden.

⚠ LET OP: Breng de accu niet met kracht aan. Als de accu niet gemakkelijk in het gereedschap kan worden geschoven, wordt deze niet goed aangebracht.

De resterende acculading controleren

Alleen voor accu's met indicatorlampjes

► Fig.2: 1. Indicatorlampjes 2. Testknop

Druk op de testknop op de accu om de resterende acculading te zien. De indicatorlampjes branden gedurende enkele seconden.

Indicatorlampjes			Resterende acculading
Brandt	Uit	Knippert	
■	□	▧	75% tot 100%
■	■	□	50% tot 75%
■	■	□	25% tot 50%
■	□	□	0% tot 25%
▧	□	□	Laad de accu op.
■	■	□	Er kan een storing zijn opgetreden in de accu.
□	□	■	

OPMERKING: Afhankelijk van de gebruiksomstandigheden en de omgevingstemperatuur, is het mogelijk dat de aangegeven acculading verschilt van de werkelijke acculading.

OPMERKING: Het eerste (meest linker) indicatorlampje knippert wanneer het accubeveiligingssysteem in werking is getreden.

Gereedschap-/accubeveiligingssysteem

Het gereedschap is voorzien van een gereedschap-/accubeveiligingssysteem. Dit systeem schakelt automatisch de voeding naar de motor uit om de levensduur van het gereedschap en de accu te verlengen. Het gereedschap kan tijdens het gebruik automatisch stoppen als het gereedschap of de accu aan één van de volgende omstandigheden wordt blootgesteld:

Overbelastingsbeveiliging

Wanneer het gereedschap/de accu wordt bediend op een manier waarop een abnormaal hoge stroomsterkte wordt getrokken, stopt het gereedschap automatisch. Wanneer dat gebeurt, schakelt u het gereedschap uit en stopt u de toepassing die ertoe leidde dat het gereedschap oververhit raakte. Schakel vervolgens het gereedschap in om het weer te starten.

Oververhittingsbeveiliging

Wanneer het gereedschap of de accu oververhit is, stopt het gereedschap automatisch en knippert de lamp. Laat in die situatie het gereedschap afkoelen voordat u het gereedschap weer inschakelt.

Beveiliging tegen te ver ontladen

Als de acculading onvoldoende is, stopt het gereedschap automatisch. In dit het geval verwijderd u de accu vanaf het gereedschap en laadt u de accu op.

De trekkerschakelaar gebruiken

⚠ LET OP: Alvorens de accu in het gereedschap te plaatsen, moet u altijd controleren of de trekkerschakelaar goed werkt en bij het loslaten terugkeert naar de stand "OFF".

► Fig.3: 1. Trekkerschakelaar

Om het gereedschap te starten, knijpt u de trekkerschakelaar in. Hoe harder u de trekkerschakelaar inknijpt, hoe hoger het toerental van het gereedschap. Laat de trekkerschakelaar los om te stoppen.

OPMERKING: Het gereedschap stopt automatisch wanneer u de trekkerschakelaar gedurende ongeveer 6 minuten ingeknepen houdt.

De lamp op de voorkant gebruiken

⚠ LET OP: Kijk niet direct in het lamplicht of in de lichtbron.

► Fig.4: 1. Lamp

Knijp de trekkerschakelaar in om de lamp in te schakelen. De lamp blijft branden zo lang de trekkerschakelaar wordt ingeknepen. Ongeveer 10 seconden nadat u de trekkerschakelaar hebt losgelaten, gaat de lamp uit.

OPMERKING: Wanneer het gereedschap oververhit is, stopt het gereedschap automatisch en begint de lamp te knipperen. Laat in dat geval de trekkerschakelaar los. De lamp gaat na 1 minuut uit.

OPMERKING: Gebruik een droge doek om vuil van de lens van de lamp af te vegen. Wees voorzichtig dat u de lens van de lamp niet bekrast omdat dan de verlichting minder wordt.

De omkeerschakelaar bedienen

⚠ LET OP: Controleer altijd de draairichting alvorens het gereedschap te starten.

⚠ LET OP: Verander de stand van de omkeerschakelaar alleen nadat het gereedschap volledig tot stilstand is gekomen. Als u de draairichting verandert terwijl het gereedschap nog draait, kan het gereedschap beschadigd raken.

⚠ LET OP: Zet de omkeerschakelaar altijd in de neutrale stand wanneer u het gereedschap niet gebruikt.

Dit gereedschap heeft een omkeerschakelaar voor het veranderen van de draairichting. Druk de omkeerschakelaar in vanaf kant A voor de draairichting rechtsom, of vanaf kant B voor de draairichting linksom.

Wanneer de omkeerschakelaar in de neutrale stand staat, kan de schakelhendel niet worden ingeknepen.

► Fig.5: 1. Omkeerschakelaar

Snelheidskeuze

KENNISGEVING: Gebruik de snelheidskeuzeknop alleen nadat het gereedschap volledig tot stilstand is gekomen. Als de snelheid van het gereedschap wordt veranderd voordat het gereedschap tot stilstand is gekomen, kan het gereedschap worden beschadigd.

KENNISGEVING: Zet de snelheidskeuzeknop altijd voorzichtig in de juiste stand. Als u het gereedschap gebruikt met de snelheidskeuzeknop halverwege tussen de standen 1 en 2, kan het gereedschap beschadigd worden.

KENNISGEVING: Als de draaisnelheid aanzienlijk afneemt tijdens het gebruik in de hoge-snelheidsfunctie, stopt u het gereedschap en verandert u de functie naar de lage-snelheidsfunctie. Anders kan de motor overbelast raken en een storing of brand veroorzaken.

De twee snelheidsbereiken kunnen vooraf worden geselecteerd met behulp van de snelheidskeuzeknop. Om de snelheid te veranderen, draait u de snelheidskeuzeknop zodanig dat de pijlpunt is uitgelijnd met stand 1 voor de lage-snelheidsfunctie of met stand 2 voor de hoge-snelheidsfunctie.

► Fig.6: 1. Pijlpunt 2. Snelheidskeuzeknop

Elektronische functie

Elektrische rem

Dit gereedschap is voorzien van een elektrische rem. Als het gereedschap continu niet snel stopt met werken nadat de trekkerschakelaar is losgelaten, laat u het gereedschap onderhouden door een Makita-servicecentrum.

Zachte-startfunctie

Deze functie laat het gereedschap soepel starten door het startkoppel te beperken.

MONTAGE

⚠ LET OP: Zorg altijd dat het gereedschap is uitgeschakeld en de accu ervan is verwijderd alvorens enig werk aan het gereedschap uit te voeren.

De zijhandgreep (hulphandgreep) aanbrengen

⚠ LET OP: Controleer altijd voor gebruik of de zijhandgreep stevig vastzit.

Draai de zijhandgreep stevig op het gereedschap. De zijhandgreep kan naar wens op beide zijkanten van het gereedschap worden aangebracht.

► Fig.7: 1. Zijhandgreep

De sleutelhouder aanbrengen

(Afhankelijk van het land)

⚠ LET OP: Controleer altijd voor gebruik of de sleutelhouder stevig vastzit.

Bevestig de sleutelhouder met behulp van de schroef stevig op het gereedschap. Breng daarna de spankopsleutel op zijn plaats aan.

► Fig.8: 1. Sleutelhouder 2. Schroef
3. Spankopsleutel

Het boorbit aanbrengen of verwijderen

Voor model DDA450

Om het boorbit aan te brengen, plaatst u het zo ver mogelijk in de spankop. Draai de spankop met de hand vast. Steek de spankopsleutel in elk van de drie openingen en draai hem rechtsom vast. Zorg ervoor dat u alle drie spankopopeningen in gelijke mate vastdraait. Om het boorbit te verwijderen, draait u de spankopsleutel in slechts één opening linksom en draait u vervolgens de spankop met de hand los.

► **Fig.9:** 1. Spankopsleutel

Plaats na gebruik de spankopsleutel terug in de sleutelhouder van het gereedschap, zoals aangegeven in de afbeelding.

► **Fig.10:** 1. Sleutelhouder

Voor model DDA451

Gebruik uitsluitend het boorbit van de afmetingen aangegeven in de afbeelding.

A = 11,2 mm (7/16")

► **Fig.11**

Om het boorbit aan te brengen, trekt u de bus in de richting van de pijl en steekt u het boorbit zo ver mogelijk in de bus.

Laat daarna de bus los om het boorbit te vergrendelen.

Om het boorbit te verwijderen, trekt u de bus in de richting van de pijl en trekt u het boorbit er uit.

► **Fig.12:** 1. Boorbit 2. Bus

OPMERKING: Als het boorbit niet diep genoeg in de bus wordt gestoken, zal de bus niet naar haar oorspronkelijke positie terugkeren en zal het boorbit niet goed vastzitten. Probeer in dat geval het boorbit opnieuw erin te steken aan de hand van bovenstaande instructies.

OPMERKING: Nadat u het boorbit in de bus hebt gestoken, controleert u dat het boorbit stevig vast zit. Als het uit de bus komt, mag u het niet gebruiken.

Haak

⚠ALLET OP: Verwijder altijd eerst de accu, voordat u het gereedschap aan de haak ophangt.

⚠ALLET OP: Hang het gereedschap nooit op een hoge plaats of aan een mogelijk instabiel oppervlak.

De haak is handig om het gereedschap tijdelijk aan op te hangen.

Om de haak te gebruiken, draait u de haak gewoon omhoog totdat deze vastklikt in de geopende stand. Als u de haak niet gebruikt, vouwt u deze weer omlaag totdat deze vastklikt in de gesloten stand.

► **Fig.13:** 1. Haak

► **Fig.14**

Het touw (tuiarium) vastmaken aan de haak

⚠ALLET OP: Gebruik de haak en schroeven niet wanneer deze beschadigd zijn. Controleer voor gebruik altijd op beschadigingen, barsten en vervormingen, en verzeker u ervan dat de schroeven zijn vastgedraaid.

⚠ALLET OP: Verzeker u ervan dat de haak stevig is aangebracht met behulp van de schroeven.

⚠ALLET OP: Terwijl het gereedschap is opgehangen, mag u geen accessoires aanbrengen of verwijderen. Het gereedschap kan vallen als de schroeven niet zijn vastgedraaid.

⚠ALLET OP: Vergrendel altijd de karabinhaak met vergrendeling (multiactie- en schroefsluitting-type) en verzeker u ervan dat het touw (tuiarium) is vastgemaakt aan het dubbele-ring-deel van de haak. Een verkeerde bevestiging kan ertoe leiden dat het gereedschap van de haak afvalt en persoonlijk letsel ontstaat.

De haak wordt ook gebruikt om een touw (tuiarium) aan te bevestigen. Verzeker u ervan het touw (tuiarium) aan het dubbele-ring-deel van de haak te bevestigen.

► **Fig.15:** 1. Dubbele-ring-deel van de haak 2. Touw (tuiarium) 3. Karabinhaak met vergrendeling (multiactie- en schroefsluitting-type)

BEDIENING

⚠ALLET OP: Druk de accu altijd stevig aan totdat die op zijn plaats vastklikt. Wanneer het rode deel aan de bovenkant van de knop nog zichtbaar is, zit de accu er nog niet helemaal in. Schuif hem er helemaal in totdat het rode deel niet meer zichtbaar is. Als u dit nalaat, zou de accu uit het gereedschap kunnen vallen en uzelf of anderen kunnen verwonden.

⚠ALLET OP: Wanneer de snelheid sterk afneemt, verlaagt u de belasting of stopt u het gereedschap om te voorkomen dat het gereedschap wordt beschadigd.

⚠ALLET OP: Houd het gereedschap tijdens gebruik stevig vast.

Het gereedschap vasthouden

⚠ALLET OP: Dit is een krachtig gereedschap. Een hoog koppel wordt uitgeoefend en het is belangrijk dat het gereedschap stevig wordt vastgehouden en goed wordt afgesteund.

Pak de handgreep met één hand vast en de voorhandgreep met de andere hand.

► **Fig.16:** 1. Voorhandgreep 2. Handgreep

Gebruik als boormachine

Boren in hout

Bij het boren in hout verkrijgt u de beste resultaten met houtboortjes voorzien van een geleideschroefpunt. Deze geleideschroefpunt vergemakkelijkt het boren, door het boorbit het werkstuk in te trekken.

Boren in metaal

Om te voorkomen dat het boorbit bij het begin van het boren zijdelings wegglijdt, maakt u met een hamer en een centerpons een putje precies op de plaats waar u wilt boren. Plaats dan de punt van het boorbit in het putje en begin met boren.

Gebruik bij het boren in metaal een smeermiddel. Uitzonderingen hierbij zijn ijzer en koper, die droog geboord moeten worden.

⚠️ LET OP: Het boren zal niet sneller verlopen als u hard op het gereedschap drukt. In feite zal dergelijk hard drukken alleen maar leiden tot beschadiging van het boorbit, lagere prestaties van het gereedschap en een kortere levensduur van het gereedschap.

⚠️ LET OP: Houd het gereedschap stevig vast en let vooral goed op wanneer het boorbit door het werkstuk heen breekt. Op het moment dat het boorgat doorbreekt wordt een enorme wringende kracht uitgeoefend op het gereedschap/boorbit.

⚠️ LET OP: Een vastgelopen boorbit kan eenvoudig verwijderd worden door de draairichting te veranderen met de omkeerschakelaar, om zo het boorbit eruit te draaien. Houd het gereedschap daarbij wel stevig vast, want er is kans op een plotselinge terugslag.

⚠️ LET OP: Zet het werkstuk altijd vast in een bankschroef of soortgelijke klemvoorziening.

⚠️ LET OP: Boor niet in materialen waarvan u vermoedt dat er verborgen spijkers of andere voorwerpen in zitten die ertoe kunnen leiden dat het boorbit vastloopt of breekt.

⚠️ LET OP: Als het gereedschap continu wordt bediend totdat de accu leeg is, laat u het gereedschap gedurende 15 minuten liggen alvorens verder te werken met een volle accu.

Een touw (tuurlem) bevestigen

⚠️ Veiligheidswaarschuwingen specifiek voor werken op hoogte
Lees alle veiligheidswaarschuwingen en alle instructies. Het niet volgen van de waarschuwingen en instructies kan leiden tot ernstig letsel.

1. **Houd het gereedschap altijd vastgebonden tijdens het werken 'op hoogte'.** De maximale lengte van het touw is 2 m.
De maximaal toegestane valhoogte van het touw (tuurlem) mag niet meer zijn dan 2 meter.
2. **Gebruik uitsluitend met een touw dat geschikt is voor dit gereedschap en een draagvermogen heeft van minstens 5,0 kg (11,0 lbs).**

3. **Veranker het touw van het gereedschap niet aan iets op uw lichaam of aan een verplaatsbaar voorwerp.** Veranker het touw van het gereedschap aan een stevige constructie die de krachten van een vallend gereedschap kan opvangen.
4. **Verzeker u er vóór gebruik van dat het touw goed is vastgemaakt aan beide uiteinden.**
5. **Inspecteer het gereedschap en touw vóór elk gebruik op beschadigingen en correcte werking (inclusief het materiaal en de stiksels).** Gebruik het niet wanneer het beschadigd is of niet correct werkt.
6. **Wikkel touwen niet rondom scherpe of ruwe randen en laat ze er niet mee in aanraking komen.**
7. **Bevestig het andere uiteinde van het touw buiten het werkgebied zodat een vallend gereedschap stevig bevestigd blijft.**
8. **Bevestig het touw zodanig dat het gereedschap tijdens het vallen zich verwijderd van de gebruiker.** Een gereedschap dat valt zal aan het touw slingeren, waardoor letsel kan worden veroorzaakt of u uw evenwicht kunt verliezen.
9. **Gebruik niet nabij bewegende onderdelen of draaiende machines.** Als u zich hier niet aan houdt, kan dat leiden tot beknellingsgevaar of verstrikkingsgevaar.
10. **Draag het gereedschap niet aan de bevestigingsvoorziening of het touw.**
11. **Verplaats het gereedschap uitsluitend tussen uw handen terwijl u een goed evenwicht hebt.**
12. **Bevestig een touw niet aan het gereedschap op een manier waardoor beschermkappen, schakelaars of uit-vergrendelingen niet correct kunnen werken.**
13. **Vorkom dat u verstrikt raakt in het touw.**
14. **Houd het touw uit de buurt van het snij- of zaaggebied van het gereedschap.**
15. **Gebruik multiactie-karabijnhaken en karabijnhaken met schroefsluiting. Gebruik geen enkelvoudige karabijnhaken met veersluiting.**
16. **In het geval een gereedschap valt, moet het worden gelabeld en buiten bedrijf gesteld, en moet het worden geïnspecteerd door de Makita-fabriek of een Makita-servicecentrum.**

ONDERHOUD

⚠️ LET OP: Zorg altijd dat het gereedschap is uitgeschakeld en de accu ervan is verwijderd alvorens te beginnen met onderhoud of inspectie.

KENNISGEVING: Gebruik nooit benzine, benzine, thinner, alcohol en dergelijke. Hierdoor kunnen verkleuring, vervormingen en barsten worden veroorzaakt.

Om de VEILIGHEID en BETROUWBAARHEID van het gereedschap te handhaven, dienen alle reparaties, onderhoud of afstellingen te worden uitgevoerd bij een erkend Makita-servicecentrum of de Makita-fabriek, en altijd met gebruik van Makita-vervangingsonderdelen.

OPTIONELE ACCESSOIRES

⚠ LET OP: Deze accessoires of hulpstukken worden aanbevolen voor gebruik met het Makita gereedschap dat in deze gebruiksaanwijzing is beschreven. Bij gebruik van andere accessoires of hulpstukken bestaat het gevaar van persoonlijke letsel. Gebruik de accessoires of hulpstukken uitsluitend voor hun bestemde doel.

Wenst u meer bijzonderheden over deze accessoires, neem dan contact op met het plaatselijke Makita-servicecentrum.

- Boorbits
- Originele Makita accu's en acculaders

OPMERKING: Sommige items op de lijst kunnen zijn inbegrepen in de doos van het gereedschap als standaard toebehoren. Deze kunnen van land tot land verschillen.

ESPECIFICACIONES

Modelo:		DDA450		DDA451	
Velocidad de engranaje		Alta	Baja	Alta	Baja
Capacidades de perforación	Acero	13 mm			
	Madera	Barreno: 38 mm Broca autorroscante: 50 mm Sierra cilíndrica: 101 mm	Barreno: 38 mm Broca autorroscante: 65 mm Sierra cilíndrica: 127 mm	Barreno: 38 mm Broca autorroscante: 50 mm Sierra cilíndrica: 101 mm	Barreno: 38 mm Broca autorroscante: 65 mm Sierra cilíndrica: 127 mm
Velocidad sin carga		0 - 1.400 min ⁻¹	0 - 450 min ⁻¹	0 - 1.400 min ⁻¹	0 - 450 min ⁻¹
Longitud total (Con cartucho de batería BL1860B)		434 mm			
Tensión nominal		18 V CC			
Peso neto		3,2 - 3,5 kg		3,0 - 3,3 kg	

- Debido a nuestro continuado programa de investigación y desarrollo, las especificaciones aquí dadas están sujetas a cambios sin previo aviso.
- Las especificaciones pueden ser diferentes de país a país.
- El peso puede variar dependiendo del accesorio(s), incluyendo el cartucho de batería. La combinación menos pesada y la más pesada, de acuerdo con el procedimiento EPTA 01/2014, se muestran en la tabla.

Cartucho de batería y cargador aplicables

Cartucho de batería	BL1815N / BL1820B / BL1830B / BL1840B / BL1850B / BL1860B
Cargador	DC18RC / DC18RD / DC18RE / DC18SD / DC18SE / DC18SF / DC18SH / DC18WC

- Algunos de los cartuchos de batería y cargadores indicados arriba puede que no estén disponibles dependiendo de su región de residencia.

⚠ ADVERTENCIA: Utilice solamente los cartuchos de batería y cargadores listados arriba. La utilización de cualquier otro cartucho de batería y cargador puede ocasionar heridas y/o un incendio.

Uso previsto

La herramienta ha sido prevista para perforar en madera, metal y plástico.

Ruido

El nivel de ruido A-ponderado típico determinado de acuerdo con la norma EN62841-2-1:
 Nivel de presión sonora (L_{pA}) : 83 dB (A)
 Nivel de potencia sonora (L_{WA}) : 94 dB (A)
 Error (K) : 3 dB (A)

NOTA: El valor (o los valores) de emisión de ruido declarado ha sido medido de acuerdo con un método de prueba estándar y se puede utilizar para comparar una herramienta con otra.

NOTA: El valor (o valores) de emisión de ruido declarado también se puede utilizar en una valoración preliminar de exposición.

⚠ ADVERTENCIA: Póngase protectores para oídos.

⚠ ADVERTENCIA: La emisión de ruido durante la utilización real de la herramienta eléctrica puede variar del valor (o los valores) de emisión declarado dependiendo de las formas en las que la herramienta sea utilizada, especialmente qué tipo de pieza de trabajo se procesa.

⚠ ADVERTENCIA: Asegúrese de identificar medidas de seguridad para proteger al operario que estén basadas en una estimación de la exposición en las condiciones reales de utilización (teniendo en cuenta todas las partes del ciclo operativo como las veces cuando la herramienta está apagada y cuando está funcionando en vacío además del tiempo de gatillo).

Vibración

El valor total de la vibración (suma de vectores triaxiales) determinado de acuerdo con la norma EN62841-2-1:
 Modo de trabajo: perforación en metal
 Emisión de vibración ($a_{h,D}$) : 2,5 m/s² o menos
 Error (K) : 1,5 m/s²

NOTA: El valor (o los valores) total de emisión de vibración declarado ha sido medido de acuerdo con un método de prueba estándar y se puede utilizar para comparar una herramienta con otra.

NOTA: El valor (o los valores) total de emisión de vibración declarado también se puede utilizar en una valoración preliminar de exposición.

⚠️ ADVERTENCIA: La emisión de vibración durante la utilización real de la herramienta eléctrica puede variar del valor (o los valores) de emisión declarado dependiendo de las formas en las que la herramienta sea utilizada, especialmente qué tipo de pieza de trabajo se procesa.

⚠️ ADVERTENCIA: Asegúrese de identificar medidas de seguridad para proteger al operario que estén basadas en una estimación de la exposición en las condiciones reales de utilización (teniendo en cuenta todas las partes del ciclo operativo como las veces cuando la herramienta está apagada y cuando está funcionando en vacío además del tiempo de gatillo).

Declaración CE de conformidad

Para países europeos solamente

La declaración CE de conformidad está incluida como Anexo A de esta manual de instrucciones.

ADVERTENCIAS DE SEGURIDAD

Advertencias de seguridad para herramientas eléctricas en general

⚠️ ADVERTENCIA: Lea todas las advertencias de seguridad, instrucciones, ilustraciones y especificaciones provistas con esta herramienta eléctrica. Si no sigue todas las instrucciones indicadas abajo podrá resultar en una descarga eléctrica, un incendio y/o heridas graves.

Guarde todas las advertencias e instrucciones para futuras referencias.

El término "herramienta eléctrica" en las advertencias se refiere a su herramienta eléctrica de funcionamiento con conexión a la red eléctrica (con cable) o herramienta eléctrica de funcionamiento a batería (sin cable).

Advertencias de seguridad para el taladro inalámbrico

Instrucciones de seguridad para todas las operaciones

1. Utilice el mango (o los mangos) auxiliar. Una pérdida del control puede ocasionar heridas personales.

2. Cuando realice una operación en la que el accesorio de corte pueda entrar en contacto con cableado oculto, sujete la herramienta eléctrica por las superficies de aislamiento aisladas. El contacto del accesorio de corte con un cable con corriente hará que la corriente circule por las partes metálicas expuestas de la herramienta eléctrica y podrá soltar una descarga eléctrica al operario.
3. Asegúrese siempre de apoyar los pies firmemente. Asegúrese de que no haya nadie debajo cuando utilice la herramienta en lugares altos.
4. Sujete la herramienta firmemente.
5. Mantenga las manos alejadas de las partes giratorias.
6. No deje la herramienta en marcha. Tenga en marcha la herramienta solamente cuando la tenga en la mano.
7. No toque la broca ni la pieza de trabajo inmediatamente después de la operación; podrán estar muy calientes y quemarle la piel.
8. Algunos materiales contienen sustancias químicas que pueden ser tóxicas. Tenga precaución para evitar la inhalación de polvo y el contacto con la piel. Siga los datos de seguridad del abastecedor del material.
9. Si la broca no se puede aflojar incluso cuando abre las garras, utilice unos alicates para extraerla. En tal caso, sacar la broca a mano puede resultar en heridas debido a su borde cortante.
10. Si hay algún problema con la herramienta tal como sonidos anormales, deje de utilizarla inmediatamente y pida al centro de servicio local de Makita que le hagan las reparaciones.
11. Antes de la operación, asegúrese de que no hay objetos enterrados como tubos de cables eléctricos, tuberías de agua o tuberías de gas en el suelo. De lo contrario, la herramienta podrá tocarlos, resultando en una descarga eléctrica, fuga eléctrica o fuga de gas.

Instrucciones de seguridad cuando se utilizan brocas largas

1. No utilice nunca a velocidades más altas que la velocidad máxima nominal de la broca. A velocidades más altas, es probable que la broca se doble si se deja girar libremente sin hacer contacto con la pieza de trabajo, resultando en heridas personales.
2. Comience a perforar siempre a velocidad baja y con la punta de la broca haciendo contacto con la pieza de trabajo. A velocidades más altas, es probable que la broca se doble si se deja girar libremente sin hacer contacto con la pieza de trabajo, resultando en heridas personales.
3. Aplique presión solamente en línea directa con la broca y no aplique una presión excesiva. Las brocas se pueden doblar ocasionando su rotura o la pérdida de control, resultando en heridas personales.

GUARDE ESTAS INSTRUCCIONES.

⚠ADVERTENCIA: NO deje que la comodidad o familiaridad con el producto (a base de utilizarlo repetidamente) sustituya la estricta observancia de las normas de seguridad para el producto en cuestión. El MAL USO o el no seguir las normas de seguridad establecidas en este manual de instrucciones podrá ocasionar graves heridas personales.

Instrucciones de seguridad importantes para el cartucho de batería

1. Antes de utilizar el cartucho de batería, lea todas las instrucciones e indicaciones de precaución sobre (1) el cargador de baterías, (2) la batería, y (3) el producto con el que se utiliza la batería.
2. No desensamble ni manipule el cartucho de batería. Podrá resultar en un incendio, calor excesivo, o una explosión.
3. Si el tiempo de uso se acorta demasiado, cese la operación inmediatamente. Podría resultar en un riesgo de recalentamiento, posibles quemaduras e incluso una explosión.
4. Si entra electrólito en sus ojos, aclárelos con agua limpia y acuda a un médico inmediatamente. Existe el riesgo de poder perder la vista.
5. No cortocircuite el cartucho de batería:
 - (1) No toque los terminales con ningún material conductor.
 - (2) Evite guardar el cartucho de batería en un cajón junto con otros objetos metálicos, como clavos, monedas, etc.
 - (3) No exponga el cartucho de batería al agua ni a la lluvia.

Un cortocircuito en la batería puede producir una gran circulación de corriente, un recalentamiento, posibles quemaduras e incluso una rotura de la misma.

6. No guarde ni utilice la herramienta y el cartucho de batería en lugares donde la temperatura pueda alcanzar o exceder los 50 °C.
7. Nunca incinere el cartucho de batería incluso en el caso de que esté dañado seriamente o ya no sirva en absoluto. El cartucho de batería puede explotar si se tira al fuego.
8. No clave, corte, aplaste, lance, deje caer el cartucho de batería, ni golpee contra un objeto duro el cartucho de batería. Tal conducta podrá resultar en un incendio, calor excesivo, o una explosión.
9. No utilice una batería dañada.
10. Las baterías de litio-ion contenidas están sujetas a los requisitos de la Legislación para Materiales Peligrosos.

Para transportes comerciales, p.ej., por terceras personas y agentes de comerciales, se deberán observar requisitos especiales para el empaquetado y etiquetado.

Para la preparación del artículo que se va a enviar, se requiere consultar con un experto en materiales peligrosos. Por favor, observe también la posibilidad de reglamentos nacionales más detallados. Cubra con cinta aislante o enmascare los contactos expuestos y empaquete la batería de tal manera que no se pueda mover alrededor dentro del embalaje.

11. Para desechar el cartucho de batería, retírelo de la herramienta y deséchelo en un lugar seguro. Siga los reglamentos locales referentes al desecho de la batería.
12. Utilice las baterías solamente con los productos especificados por Makita. La instalación de las baterías en productos no compatibles puede resultar en un incendio, calor excesivo, explosión, o fuga de electrolito.
13. Si la herramienta no va a ser utilizada durante un periodo de tiempo largo, la batería deberá ser retirada de la herramienta.
14. Durante y después de la utilización, el cartucho de batería podrá acumular calor, lo cual puede ocasionar quemaduras o quemaduras de baja temperatura. Preste atención al manejo de cartuchos de batería calientes.
15. No toque el terminal de la herramienta inmediatamente después de utilizar, dado que puede calentarse lo suficiente como para ocasionar quemaduras.
16. No permita que virutas, polvo, o tierra se adhieran dentro de los terminales, orificios, y ranuras del cartucho de batería. Esto podría ocasionar calentamiento, que coja fuego, reviente y un mal funcionamiento de la herramienta o el cartucho de batería, resultando en quemaduras o heridas personales.
17. A menos que la herramienta pueda utilizarse cerca de cables eléctricos de alta tensión, no utilice el cartucho de batería cerca de cables eléctricos de alta tensión. Podrá resultar en un mal funcionamiento o rotura de la herramienta o el cartucho de batería.
18. Mantenga la batería alejada de los niños.

GUARDE ESTAS INSTRUCCIONES.

⚠PRECAUCIÓN: Utilice solamente baterías genuinas de Makita. La utilización de baterías no genuinas de Makita, o baterías que han sido alteradas, puede resultar en una explosión de la batería ocasionando incendios, heridas personales y daños. También anulará la garantía de Makita para la herramienta y el cargador de Makita.

Consejos para alargar al máximo la vida de servicio de la batería

1. Cargue el cartucho de batería antes de que se descargue completamente. Detenga siempre la operación y cargue el cartucho de batería cuando note menos potencia en la herramienta.
2. No cargue nunca un cartucho de batería que esté completamente cargado. La sobrecarga acortará la vida de servicio de la batería.
3. Cargue el cartucho de batería a temperatura ambiente de 10 °C - 40 °C. Si un cartucho de batería está caliente, déjelo enfriar antes de cargarlo.
4. Cuando no esté utilizando el cartucho de batería, retírelo de la herramienta o del cargador.
5. Cargue el cartucho de batería si no lo utiliza durante un periodo de tiempo prolongado (más de seis meses).

DESCRIPCIÓN DEL FUNCIONAMIENTO

⚠ PRECAUCIÓN: Asegúrese siempre de que la herramienta esté apagada y el cartucho de batería retirado antes de realizar cualquier ajuste o comprobación en la herramienta.

Instalación o extracción del cartucho de batería

⚠ PRECAUCIÓN: Apague siempre la herramienta antes de instalar o retirar el cartucho de batería.

⚠ PRECAUCIÓN: Sujete la herramienta y el cartucho de batería firmemente cuando instale o retire el cartucho de batería. Si no sujeta la herramienta y el cartucho de batería firmemente podrán caérsele de las manos y resultar en daños a la herramienta y al cartucho de batería y heridas personales.

► Fig.1: 1. Indicador rojo 2. Botón 3. Cartucho de batería

Para retirar el cartucho de batería, deslícelo de la herramienta mientras desliza el botón de la parte frontal del cartucho.

Para instalar el cartucho de batería, alinee la lengüeta del cartucho de batería con la ranura del alojamiento y deslícelo al interior hasta encajarlo en su sitio. Insértelo por completo hasta que se bloquee en su sitio con un pequeño chasquido. Si puede ver el indicador rojo como se muestra en la figura, no estará bloqueado completamente.

⚠ PRECAUCIÓN: Instale siempre el cartucho de batería completamente hasta que no pueda verse el indicador rojo. En caso contrario, podrá caerse accidentalmente de la herramienta y ocasionarle heridas a usted o a alguien que esté cerca de usted.

















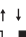

⚠ PRECAUCIÓN: No instale el cartucho de batería empleando fuerza. Si el cartucho no se desliza al interior fácilmente, será porque no está siendo insertado correctamente.

Modo de indicar la capacidad de batería restante

Solamente para cartuchos de batería con el indicador

► Fig.2: 1. Lámparas indicadoras 2. Botón de comprobación

Presione el botón de comprobación en el cartucho de batería para indicar la capacidad de batería restante. Las lámparas indicadoras se iluminan durante unos pocos segundos.

Lámparas indicadoras			Capacidad restante
 Iluminada	 Apagada	 Parpadeando	
			75% a 100%
			50% a 75%
			25% a 50%
			0% a 25%
			Cargue la batería.
			Puede que la batería no esté funcionando bien.
			

NOTA: Dependiendo de las condiciones de utilización y de la temperatura ambiente, la indicación podrá variar ligeramente de la capacidad real.

NOTA: La primera lámpara indicadora (extremo izquierdo) parpadeará cuando el sistema de protección de la batería esté funcionando.

Sistema de protección de la herramienta / batería

La herramienta está equipada con un sistema de protección de la herramienta/batería. Este sistema corta automáticamente la alimentación al motor para alargar la vida de servicio de la herramienta y la batería. La herramienta se detendrá automáticamente durante la operación si la herramienta o la batería es puesta en una de las condiciones siguientes:

Protección contra sobrecarga

Cuando la herramienta/batería sea operada de una manera que le haga absorber una corriente anormalmente alta, la herramienta se detendrá automáticamente. En esta situación, apague la herramienta y detenga la tarea que ocasiona la sobrecarga de la herramienta. Después encienda la herramienta para volver a empezar.

Protección contra el recalentamiento

Cuando la herramienta/batería se recaliente, la herramienta se detendrá automáticamente y la lámpara parpadeará. En esta situación, deje que la herramienta se enfríe antes de encender la herramienta otra vez.

Protección contra descarga excesiva

Cuando la capacidad de batería no es suficiente, la herramienta se detiene automáticamente. En este caso, retire la batería de la herramienta y cargue la batería.

Accionamiento del interruptor

⚠ PRECAUCIÓN: Antes de insertar el cartucho de batería en la herramienta, compruebe siempre para cerciorarse de que el gatillo interruptor se acciona debidamente y que vuelve a la posición "OFF" cuando lo suelta.

► Fig.3: 1. Gatillo interruptor

Para poner en marcha la herramienta, apriete el gatillo interruptor. La velocidad de la herramienta incrementa aumentando la presión en el gatillo interruptor. Suelte el gatillo interruptor para parar.

NOTA: La herramienta se parará automáticamente si sigue apretando el gatillo interruptor durante unos 6 minutos.

Encendido de la lámpara delantera

⚠ PRECAUCIÓN: No mire a la luz ni vea la fuente de luz directamente.

► Fig.4: 1. Lámpara

Apriete el gatillo interruptor para encender la lámpara. La lámpara seguirá encendida mientras el gatillo interruptor esté siendo apretado. La lámpara se apagará 10 segundos aproximadamente después de soltar el gatillo interruptor.

NOTA: Cuando la herramienta se recalienta, la herramienta se detiene automáticamente y la lámpara comienza a parpadear. En este caso, suelte el gatillo interruptor. La lámpara se apaga en 1 minuto.

NOTA: Utilice un paño seco para quitar la suciedad de la lente de la lámpara. Tenga cuidado de no rayar la lente de la lámpara, porque podrá disminuir la iluminación.

Accionamiento del interruptor inversor

⚠ PRECAUCIÓN: Confirme siempre la dirección de giro antes de la operación.

⚠ PRECAUCIÓN: Utilice el interruptor inversor solamente después de que la herramienta se haya parado completamente. Si cambia la dirección de giro antes de que la herramienta se haya parado podrá dañarla.

⚠ PRECAUCIÓN: Cuando no esté utilizando la herramienta, ponga siempre la palanca del interruptor inversor en la posición neutral.

Esta herramienta tiene un interruptor inversor para cambiar la dirección de giro. Presione hacia dentro la palanca del interruptor inversión del lado A para giro hacia la derecha o del lado B para giro hacia la izquierda.

Cuando la palanca del interruptor inversor está en la posición neutral, la palanca del interruptor no se puede apretar.

► Fig.5: 1. Palanca del interruptor inversor

Cambio de velocidad

AVISO: Utilice el pomo de cambio de velocidad solamente después de que la herramienta se haya parado completamente. Si cambia la velocidad de la herramienta antes de que la herramienta se haya parado la herramienta se podrá dañar.

AVISO: Ponga siempre el pomo de cambio de velocidad con cuidado en la posición correcta. Si utiliza la herramienta con el pomo de cambio de velocidad puesto a mitad entre la posición 1 y la posición 2, la herramienta se podrá dañar.

AVISO: Si la velocidad de giro se reduce significativamente durante la operación en modo de velocidad alta, detenga la herramienta y cambie el modo al modo de velocidad baja. De lo contrario, el motor se podrá sobrecargar y ocasionar un mal funcionamiento o un incendio.

Con el pomo de cambio de velocidad se pueden seleccionar dos gamas de velocidades.

Para cambiar la velocidad, gire el pomo de cambio de velocidad de manera que el puntero apunte a la posición 1 para el modo de velocidad baja o a la posición 2 para el modo de velocidad alta.

► Fig.6: 1. Puntero 2. Pomo de cambio de velocidad

Función electrónica

Freno eléctrico

Esta herramienta está equipada con un freno eléctrico. Si la herramienta consistentemente falla en dejar de funcionar rápidamente después de soltar el gatillo interruptor, haga que la herramienta sea servida en un centro de servicio Makita.

Característica de inicio suave

Esta función permite un inicio suave de la herramienta limitando el par de inicio.

MONTAJE

⚠ PRECAUCIÓN: Asegúrese siempre de que la herramienta está apagada y el cartucho de batería retirado antes de realizar cualquier trabajo en la herramienta.

Instalación de la empuñadura lateral (mango auxiliar)

⚠ PRECAUCIÓN: Antes de la operación, asegúrese siempre de que la empuñadura lateral está instalada firmemente.

Rosque la empuñadura lateral en la herramienta firmemente. La empuñadura lateral se puede instalar en cualquiera de los lados de la herramienta, el que resulte conveniente.

► Fig.7: 1. Empuñadura lateral

Instalación del soporte para llave

(Específico para cada país)

⚠ PRECAUCIÓN: Antes de la operación, asegúrese siempre de que el soporte para llave está instalado firmemente.

Atornille el soporte para llave en la herramienta firmemente. Después coloque la llave de mandril en su posición.

► **Fig.8:** 1. Soporte para llave 2. Tornillo 3. Llave de mandril

Instalación o desmontaje de la broca

Para el modelo DDA450

Para instalar la broca, póngala a fondo en el mandril. Apriete el mandril a mano. Ponga la llave de mandril en cada uno de los tres agujeros y apriete hacia la derecha. Asegúrese de apretar todos los tres agujeros del mandril uniformemente.

Para retirar la broca, gire la llave de mandril hacia la izquierda en un solo agujero, después afloje el mandril a mano.

► **Fig.9:** 1. Llave de mandril

Después de la utilización, vuelva a poner la llave de mandril en el soporte para llave de la herramienta como se muestra en la ilustración.

► **Fig.10:** 1. Soporte para llave

Para el modelo DDA451

Utilice solamente la broca designada con las dimensiones mostradas en la figura.

A=11,2 mm (7/16")

► **Fig.11**

Para instalar la broca, tire del manguito en el sentido de la flecha e inserte la broca a tope en el manguito.

Después suelte el manguito para sujetar la broca.

Para extraer la broca, tire del manguito en el sentido de la flecha y extraiga la broca.

► **Fig.12:** 1. Broca 2. Manguito

NOTA: Si la broca no está suficientemente insertada en el manguito, el manguito no retornará a su posición original y la broca no quedará bien sujeta. En este caso, intente reinsertando la broca de acuerdo con las instrucciones indicadas arriba.

NOTA: Después de insertar la broca, asegúrese de que está sujeta firmemente. Si se sale, no la utilice.

Gancho

⚠ PRECAUCIÓN: Retire siempre la batería cuando cuelgue la herramienta con el gancho.

⚠ PRECAUCIÓN: No cuelgue nunca la herramienta en un lugar alto o en una superficie potencialmente inestable.

El gancho es útil para colgar la herramienta temporalmente. Para utilizar el gancho, solo tiene que levantar el gancho hasta que quede en la posición abierta con un chasquido. Cuando no lo utilice, siempre baje el gancho hasta que quede en la posición cerrada con un chasquido.

► **Fig.13:** 1. Gancho

► **Fig.14**

Conexión del acollador (correa de amarre) al gancho

⚠ PRECAUCIÓN: No utilice el gancho y tornillos dañados. Antes de la utilización compruebe siempre por si hay daños, grietas o deformaciones, y asegúrese de que los tornillos están apretados.

⚠ PRECAUCIÓN: Asegúrese de que el gancho está instalado firmemente con los tornillos.

⚠ PRECAUCIÓN: No instale ni retire ningún accesorio mientras la herramienta está colgada. La herramienta podrá caerse si los tornillos no están apretados.

⚠ PRECAUCIÓN: Utilice siempre un mosquetón con cierre de seguridad (tipo acción múltiple y cierre de rosca) y asegúrese de colocar el acollador (correa de amarre) en la parte de doble argolla del gancho. Una colocación incorrecta podrá ocasionar que la herramienta se caiga del gancho y resultar en heridas personales.

El gancho también se utiliza para conectar el acollador (correa de amarre). Asegúrese de conectar el acollador (correa de amarre) en la parte de doble argolla del gancho.

► **Fig.15:** 1. Parte de doble argolla del gancho 2. Acollador (correa de amarre) 3. Mosquetón con cierre de seguridad (tipo acción múltiple y cierre de rosca)

OPERACIÓN

⚠ PRECAUCIÓN: Inserte siempre el cartucho de batería a tope hasta que se bloquee en su sitio. Si puede ver el indicador rojo en el lado superior del botón, no estará bloqueado completamente. Insértelo completamente hasta que el indicador rojo no pueda verse. En caso contrario, podrá caerse accidentalmente de la herramienta y ocasionarle heridas a usted o a alguien que esté cerca de usted.

⚠ PRECAUCIÓN: Cuando la velocidad baje mucho, reduzca la carga o detenga la herramienta para evitar dañarla.

⚠ PRECAUCIÓN: Sujete la herramienta firmemente cuando la esté utilizando.

Sujeción de la herramienta

⚠ PRECAUCIÓN: Esta es una herramienta potente. Se desarrolla un par alto y es importante que la herramienta sea sujeta firmemente y apoyada debidamente.

Agarre el mango con una mano y el mango delantero con la otra mano.

► **Fig.16:** 1. Mango delantero 2. Mango

Operación de perforación

Perforación en madera

Cuando perfore en madera, los mejores resultados se obtendrán con brocas para madera equipadas con un tornillo guía. El tornillo guía facilita la perforación tirando de la broca hacia el interior de la pieza de trabajo.

Perforación en metal

Para evitar que la broca resbale al empezar a hacer el agujero, haga una mella con un punzón y martillo en el punto a taladrar. Ponga la punta de la broca en la mella y comience a perforar.

Utilice un lubricante para operaciones de corte cuando perfore metales. Las excepciones son acero y latón que deberán ser perforados en seco.

⚠️PRECAUCIÓN: Con ejercer una presión excesiva sobre la herramienta no conseguirá perforar más rápido. De hecho, esta presión excesiva sólo servirá para dañar la punta de la broca, disminuir el rendimiento de la herramienta y acortar la vida de servicio de la herramienta.

⚠️PRECAUCIÓN: Sujete la herramienta firmemente y tenga cuidado cuando la broca comience a penetrar en la pieza de trabajo. En el momento de comenzar a penetrar se ejerce una fuerza tremenda sobre la herramienta/broca.

⚠️PRECAUCIÓN: Una broca atascada podrá extraerse simplemente poniendo el interruptor inversor en giro inverso para que retroceda. Sin embargo, la herramienta podrá retroceder bruscamente si no la sujeta firmemente.

⚠️PRECAUCIÓN: Sujete siempre las piezas de trabajo en un tornillo de banco o dispositivo de sujeción similar.

⚠️PRECAUCIÓN: Evite taladrar en material que sospeche que contiene clavos ocultos u otras cosas que puedan ocasionar que la broca se trabe o se rompa.

⚠️PRECAUCIÓN: Si la herramienta es utilizada continuamente hasta que el cartucho de batería se haya descargado, deje descansar la herramienta durante 15 minutos antes de proceder con una batería cargada.

Conexión del acollador (correa de amarre)

⚠️Advertencias de seguridad específicas para utilización en altura

Lea todas las advertencias de seguridad e instrucciones. Si no sigue las advertencias e instrucciones podrá resultar en heridas graves.

1. Mantenga siempre atada la herramienta cuando trabaje "en altura". La longitud máxima del acollador es de 2 m. La altura de caída máxima permitida para el acollador (correa de amarre) no debe exceder los 2 m.
2. Utilice solamente con acolladores apropiados para este tipo de herramienta y con capacidad para al menos 5,0 kg (11,0 lbs).

3. No amarre el acollador de la herramienta a ninguna parte de su cuerpo ni a componentes móviles. Amarre el acollador de la herramienta a una estructura rígida que pueda soportar las fuerzas de una herramienta que se caiga.
4. Asegúrese de que el acollador está sujetado debidamente en cada extremo antes de utilizar.
5. Inspeccione la herramienta y el acollador antes de cada utilización por si están dañados y comprobar que funcionan correctamente (incluidos el tejido y la costura). No los utilice si están dañados o no funcionan debidamente.
6. No enrolle los acolladores ni permita que entren en contacto con bordes cortantes o ásperos.
7. Amarre el otro extremo del acollador fuera del área de trabajo de forma que si la herramienta se cae sea sujeta firmemente.
8. Sujete el acollador de forma que si la herramienta se cae lo haga alejándose del operario. Las herramientas dejadas caer se balancearán en el acollador, lo que podrá ocasionar heridas o pérdida del equilibrio.
9. No utilice cerca de partes en movimiento o maquinaria en marcha. De lo contrario, podrá resultar en un riesgo de aplastamiento o enredo.
10. No transporte la herramienta cogiéndola por el dispositivo de sujeción o el acollador.
11. Transfiera la herramienta entre sus manos solamente mientras se encuentre equilibrado debidamente.
12. No sujete los acolladores a la herramienta de una manera que impidan a los protectores, interruptores o bloqueos funcionar debidamente.
13. Evite enredarse en el acollador.
14. Mantenga el acollador alejado del área de corte de la herramienta.
15. Utilice mosquetones de tipo acción múltiple y de tipo con cierre de rosca. No utilice mosquetones con pestillo de resorte de acción simple.
16. En el caso de que la herramienta se caiga, se deberá etiquetar y poner fuera de servicio, y deberá ser inspeccionada en una fábrica Makita o en un centro de servicio autorizado.

MANTENIMIENTO

⚠️PRECAUCIÓN: Asegúrese siempre de que la herramienta está apagada y de que el cartucho de batería está retirado antes de intentar hacer una inspección o mantenimiento.

⚠️AVISO: No utilice nunca gasolina, bencina, disolvente, alcohol o similares. Podría producir descoloración, deformación o grietas.

Para mantener la SEGURIDAD y FIABILIDAD del producto, las reparaciones, y cualquier otra tarea de mantenimiento o ajuste deberán ser realizadas en centros de servicio o de fábrica autorizados por Makita, empleando siempre repuestos Makita.

ACCESORIOS OPCIONALES

⚠PRECAUCIÓN: Estos accesorios o aditamentos están recomendados para su uso con la herramienta Makita especificada en este manual. El uso de cualquier otro accesorio o aditamento puede suponer un riesgo de heridas personales. Utilice el accesorio o aditamento solamente con la finalidad indicada para el mismo.

Si necesita cualquier ayuda para más detalles en relación con estos accesorios, pregunte al centro de servicio Makita local.

- Brocas
- Batería y cargador genuinos de Makita

NOTA: Algunos elementos de la lista podrán estar incluidos en el paquete de la herramienta como accesorios estándar. Pueden variar de un país a otro.

ESPECIFICAÇÕES

Modelo:		DDA450		DDA451	
Velocidade de engrenagem		Alta	Baixa	Alta	Baixa
Capacidades de perfuração	Aço	13 mm			
	Madeira	Broca de perfurar: 38 mm Broca de alimentação automática: 50 mm Serra-copo: 101 mm	Broca de perfurar: 38 mm Broca de alimentação automática: 65 mm Serra-copo: 127 mm	Broca de perfurar: 38 mm Broca de alimentação automática: 50 mm Serra-copo: 101 mm	Broca de perfurar: 38 mm Broca de alimentação automática: 65 mm Serra-copo: 127 mm
Velocidade sem carga		0 - 1.400 min ⁻¹	0 - 450 min ⁻¹	0 - 1.400 min ⁻¹	0 - 450 min ⁻¹
Comprimento total (Com bateria BL1860B)		434 mm			
Tensão nominal		C.C. 18 V			
Peso líquido		3,2 - 3,5 kg		3,0 - 3,3 kg	

- Devido a um programa contínuo de pesquisa e desenvolvimento, estas especificações estão sujeitas a alteração sem aviso prévio.
- As especificações podem variar de país para país.
- O peso poderá diferir em função do acessório(s), incluindo a bateria. A combinação mais leve e mais pesada, de acordo com o Procedimento EPTA 01/2014, é apresentada na tabela.

Bateria e carregador aplicável

Bateria	BL1815N / BL1820B / BL1830B / BL1840B / BL1850B / BL1860B
Carregador	DC18RC / DC18RD / DC18RE / DC18SD / DC18SE / DC18SF / DC18SH / DC18WC

- Algumas das baterias e carregadores listados acima poderão não estar disponíveis, dependendo da sua região de residência.

AVISO: Utilize apenas as baterias e carregadores listados acima. A utilização de quaisquer outras baterias e carregadores pode causar ferimentos e/ou um incêndio.

Utilização a que se destina

A ferramenta serve para perfurar em madeira, metal e plástico.

Ruído

A característica do nível de ruído A determinado de acordo com a EN62841-2-1:

Nível de pressão acústica (L_{pA}): 83 dB (A)

Nível de potência acústica (L_{WA}): 94 dB (A)

Variabilidade (K): 3 dB (A)

NOTA: O(s) valor(es) da emissão de ruído indicado(s) foi medido de acordo com um método de teste padrão e pode ser utilizado para comparar duas ferramentas.

NOTA: O(s) valor(es) da emissão de ruído indicado(s) pode também ser utilizado na avaliação preliminar da exposição.

AVISO: Utilize protetores auriculares.

AVISO: A emissão de ruído durante a utilização real da ferramenta elétrica pode diferir do(s) valor(es) indicado(s), dependendo das formas como a ferramenta é utilizada, especialmente o tipo de peça de trabalho que é processada.

AVISO: Certifique-se de identificar as medidas de segurança para proteção do operador que sejam baseadas em uma estimativa de exposição em condições reais de utilização (considerando todas as partes do ciclo de operação, tal como quando a ferramenta está desligada e quando está a funcionar em marcha lenta além do tempo de acionamento).

Vibração

Valor total da vibração (soma vetorial tri-axial) determinado de acordo com a EN62841-2-1:

Modo de trabalho: perfuração em metal

Emissão de vibração ($a_{h,D}$): 2,5 m/s² ou menos

Variabilidade (K): 1,5 m/s²

NOTA: O(s) valor(es) total(ais) de vibração indicado(s) foi medido de acordo com um método de teste padrão e pode ser utilizado para comparar duas ferramentas.

NOTA: O(s) valor(es) total(ais) de vibração indicado(s) pode também ser utilizado na avaliação preliminar da exposição.

⚠️ AVISO: A emissão de vibração durante a utilização real da ferramenta elétrica pode diferir do(s) valor(es) indicado(s), dependendo das formas como a ferramenta é utilizada, especialmente o tipo de peça de trabalho que é processada.

⚠️ AVISO: Certifique-se de identificar as medidas de segurança para proteção do operador que sejam baseadas em uma estimativa de exposição em condições reais de utilização (considerando todas as partes do ciclo de operação, tal como quando a ferramenta está desligada e quando está a funcionar em marcha lenta além do tempo de acionamento).

Declaração de conformidade da CE

Apenas para os países europeus

A declaração de conformidade da CE está incluída como Anexo A neste manual de instruções.

AVISOS DE SEGURANÇA

Avisos gerais de segurança para ferramentas elétricas

⚠️ AVISO: Leia todos os avisos de segurança, instruções, ilustrações e especificações fornecidos com esta ferramenta elétrica. O não cumprimento de todas as instruções indicadas em baixo pode resultar em choque elétrico, incêndio e/ou ferimentos graves.

Guarde todos os avisos e instruções para futuras referências.

O termo "ferramenta elétrica" nos avisos refere-se às ferramentas elétricas ligadas à corrente elétrica (com cabo) ou às ferramentas elétricas operadas por meio de bateria (sem cabo).

Avisos de segurança para a parafusadeira a bateria

Instruções de segurança para todas as operações

1. Utilize a(s) pega(s) auxiliar(es). A perda de controlo pode causar ferimentos pessoais.
2. Segure a ferramenta elétrica pelas superfícies isoladas preparadas para esse fim, quando executar uma operação em que o acessório de corte possa entrar em contacto com fios ocultos. O acessório de corte que entra em contacto com um fio "com corrente" pode passar a corrente para as partes metálicas expostas da ferramenta elétrica e causar choque elétrico ao operador.

3. Certifique-se sempre que possui uma base firme. Certifique-se de que ninguém está por baixo quando usa a ferramenta em locais elevados.
4. Segure a ferramenta firmemente.
5. Mantenha as mãos afastadas das partes giratórias.
6. Não deixe a ferramenta a funcionar. Opere a ferramenta apenas quando a estiver a agarrar.
7. Não toque na broca de perfuração ou na peça de trabalho imediatamente após a operação; podem estar extremamente quentes e queimar a sua pele.
8. Alguns materiais contêm químicos que podem ser tóxicos. Tome cuidado para evitar a inalação de poeira e o contacto com a pele. Siga os dados de segurança do fornecedor do material.
9. Se não for possível soltar a broca de perfuração mesmo se abrir os mordentes, utilize um alicate para extrai-la. Nesse caso, extrair a broca de perfuração manualmente poderá resultar em lesões provocadas pelo seu bordo afiado.
10. Se reparar em algo de errado com a ferramenta como, por exemplo, sons anormais, pare imediatamente de operar e solicite a reparação ao centro de assistência Makita local.
11. Antes da operação, certifique-se de que não existem objetos enterrados tais como um tubo elétrico, tubo de água ou tubo de gás no solo. Caso contrário, a ferramenta pode tocar nos mesmos, resultando em choque elétrico, fuga elétrica ou fuga de gás.

Instruções de segurança quando utilizar brocas de perfuração longas

1. Nunca utilize a uma velocidade mais elevada do que a categoria de velocidade máxima da broca de perfuração. A velocidades mais elevadas, é provável que a broca se dobre se for permitida a respetiva rotação livre sem entrar em contacto com a peça de trabalho, resultando em ferimentos pessoais.
2. Comece sempre a perfurar a baixa velocidade e com a ponta da broca em contacto com a peça de trabalho. A velocidades mais elevadas, é provável que a broca se dobre se for permitida a respetiva rotação livre sem entrar em contacto com a peça de trabalho, resultando em ferimentos pessoais.
3. Aplique pressão apenas em linha direta com a broca e não aplique pressão excessiva. As brocas podem dobrar-se provocando quebra ou perda de controlo, resultando em ferimentos pessoais.

GUARDE ESTAS INSTRUÇÕES.

⚠️ AVISO: NÃO permita que o conforto ou familiaridade com o produto (adquirido com o uso repetido) substitua o cumprimento estrito das regras de segurança da ferramenta. A MÁ INTERPRETAÇÃO ou o não seguimento das regras de segurança estabelecidas neste manual de instruções pode provocar ferimentos pessoais graves.

Instruções de segurança importantes para a bateria

1. **Antes de utilizar a bateria, leia todas as instruções e etiquetas de precaução no (1) carregador de bateria (2) bateria e (3) produto que utiliza a bateria.**
2. **Não desmonte ou manipule a bateria.** Pode resultar num incêndio, em calor excessivo ou numa explosão.
3. **Se o tempo de funcionamento se tornar excessivamente curto, pare o funcionamento imediatamente.** Pode resultar em sobreaquecimento, possíveis queimaduras e mesmo explosão.
4. **Se entrar eletrólito nos seus olhos, lave-os com água e consulte imediatamente um médico.** Pode resultar em perda de visão.
5. **Não coloque a bateria em curto-circuito:**
 - (1) **Não toque nos terminais com qualquer material condutor.**
 - (2) **Evite guardar a bateria juntamente com outros objetos metálicos tais como pregos, moedas, etc.**
 - (3) **Não exponha a bateria à água ou chuva.** Um curto-circuito pode ocasionar um enorme fluxo de corrente, sobreaquecimento, possíveis queimaduras e mesmo estragar-se.
6. **Não guarde nem utilize a ferramenta e a bateria em locais onde a temperatura pode atingir ou exceder 50 °C.**
7. **Não queime a bateria mesmo que esteja estragada ou completamente gasta. A bateria pode explodir no fogo.**
8. **Não pregue, corte, esmague, atire, deixe cair a bateria, nem bata a bateria contra um objeto rijo.** Esta conduta pode resultar num incêndio, em calor excessivo ou numa explosão.
9. **Não utilize uma bateria danificada.**
10. **As baterias de íões de lítio contidas na ferramenta são sujeitas aos requisitos da DGL (Dangerous Goods Legislation - Legislação de bens perigosos).**

Para o transporte comercial, por exemplo, por terceiros ou agentes de expedição, têm de ser observados os requisitos referentes à embalagem e etiquetagem.

Para preparação do artigo a ser expedido, é necessário consultar um perito em materiais perigosos. Tenha ainda em conta a possibilidade de existirem regulamentos nacionais mais detalhados.

Coloque fita-cola ou tape os contactos abertos e embale a bateria de tal forma que não possa mover-se dentro da embalagem.
11. **Quando eliminar a bateria, remova-a da ferramenta e elimine-a num local seguro. Siga os regulamentos locais relacionados com a eliminação de baterias.**
12. **Utilize as baterias apenas com os produtos especificados pela Makita.** Instalar as baterias em produtos não-conformes poderá resultar num incêndio, calor excessivo, explosão ou fuga de eletrólito.
13. **Se a ferramenta não for utilizada durante um período de tempo prolongado, a bateria deve ser removida da ferramenta.**
14. **Durante e após a utilização, a bateria pode aquecer, o que pode provocar queimaduras ou queimaduras a baixa temperatura.** Preste atenção ao manuseamento de baterias quentes.
15. **Não toque no terminal da ferramenta imediatamente após a utilização, pois pode ficar suficientemente quente para provocar queimaduras.**
16. **Não permita a adesão de aparas, pó ou sujidade nos terminais, nos orifícios e nas ranhuras da bateria.** Poderá fazer com que a ferramenta ou a bateria aqueça, incendeie, rebente e avarie, resultando em queimaduras ou ferimentos corporais.
17. **A menos que a ferramenta suporte a utilização perto de linhas elétricas de alta tensão, não utilize a bateria perto de linhas elétricas de alta tensão.** Pode resultar no mau funcionamento ou na avaria da ferramenta ou bateria.
18. **Mantenha a bateria afastada das crianças.**

GUARDE ESTAS INSTRUÇÕES.

⚠PRECAUÇÃO: Utilize apenas baterias genuínas da Makita. A utilização de baterias não genuínas da Makita ou de baterias que foram alteradas, pode resultar no rebentamento da bateria provocando incêndios, ferimentos pessoais e danos. Além disso, anulará a garantia da Makita no que se refere à ferramenta e ao carregador Makita.

Conselhos para manter a máxima vida útil da bateria

1. **Carregue a bateria antes que esteja completamente descarregada.** Pare sempre o funcionamento da ferramenta e carregue a bateria quando notar menos poder na ferramenta.
2. **Nunca carregue uma bateria completamente carregada.** Carregamento excessivo diminui a vida útil da bateria.
3. **Carregue a bateria à temperatura ambiente de 10 °C – 40 °C.** Deixe que uma bateria quente arrefeça antes de a carregar.
4. **Quando não utilizar a bateria, remova-a da ferramenta ou do carregador.**
5. **Carregue a bateria se não a utilizar durante um longo período de tempo (mais de seis meses).**

DESCRIÇÃO FUNCIONAL

⚠️ PRECAUÇÃO: Certifique-se sempre de que a ferramenta está desligada e a bateria foi retirada antes de regular ou verificar qualquer função na ferramenta.

Instalação ou remoção da bateria

⚠️ PRECAUÇÃO: Desligue sempre a ferramenta antes de colocar ou retirar a bateria.

⚠️ PRECAUÇÃO: Segure firmemente a ferramenta e a bateria quando instalar ou remover a bateria. Se não segurar firmemente a ferramenta e a bateria pode fazer com que escorreguem das suas mãos resultando em danos na ferramenta e na bateria e ferimentos pessoais.

► Fig.1: 1. Indicador vermelho 2. Botão 3. Bateria

Para retirar a bateria, deslize-a para fora da ferramenta enquanto desliza o botão na frente da bateria.

Para instalar a bateria, alinhe a lingueta na bateria com a ranhura na caixa e deslize-a para a posição correta. Insira-a por completo até bloquear na posição correta com um pequeno clique. Se conseguir ver o indicador vermelho conforme apresentado na figura, não está completamente bloqueada.

⚠️ PRECAUÇÃO: Instale sempre a bateria até ao fim, até deixar de ver o indicador vermelho. Caso contrário, a bateria poderá cair da ferramenta acidentalmente e provocar ferimentos em si mesmo ou em alguém próximo.

⚠️ PRECAUÇÃO: Não instale a bateria à força. Se a bateria não deslizar facilmente é porque não foi colocada corretamente.

Indicação da capacidade restante da bateria

Apenas para baterias com indicador

► Fig.2: 1. Luzes indicadoras 2. Botão de verificação

Prima o botão de verificação na bateria para indicar a capacidade restante da bateria. As luzes indicadoras acendem durante alguns segundos.

Luzes indicadoras			Capacidade restante
Aceso	Apagado	A piscar	
■	□	◐	75% a 100%
■ ■ ■ ■	□ □ □ □		
■ ■ ■ ■	□ □ □ □		50% a 75%
■ ■ ■ ■	□ □ □ □		25% a 50%
■ ■ ■ ■	□ □ □ □		0% a 25%
◐	□ □ □ □		Carregar a bateria.
■ ■ ■ ■	□ □ □ □	↑ ↓	A bateria pode estar avariada.

NOTA: Dependendo das condições de utilização e da temperatura ambiente, a indicação pode ser ligeiramente diferente da capacidade real.

NOTA: A primeira luz indicadora (extremo esquerdo) pisca quando o sistema de proteção da bateria funciona.

Sistema de proteção da ferramenta/bateria

A ferramenta está equipada com um sistema de proteção da ferramenta/bateria. Este sistema corta automaticamente a corrente para o motor para aumentar a vida da ferramenta e da bateria. A ferramenta para automaticamente durante o funcionamento se a ferramenta ou bateria for colocada mediante uma das seguintes condições:

Proteção contra sobrecarga

Quando a ferramenta/bateria estiver a operar de uma forma que cause a absorção anormal de corrente elétrica, a ferramenta para automaticamente. Nesta situação, desligue a ferramenta e pare a aplicação que causou a sobrecarga da ferramenta. De seguida, ligue a ferramenta para reiniciar.

Proteção contra sobreaquecimento

Quando a ferramenta/bateria estiver sobreaquecida, a ferramenta para automaticamente e a lâmpada pisca. Nesta situação, deixe a ferramenta arrefecer antes de ligar novamente a ferramenta.

Proteção contra descarga excessiva

Quando a capacidade da bateria não é suficiente, a ferramenta para automaticamente. Neste caso, retire a bateria da ferramenta e carregue-a.

Ação do interruptor

⚠️ PRECAUÇÃO: Antes de colocar a bateria na ferramenta, verifique sempre se o gatilho do interruptor funciona corretamente e volta para a posição "OFF" quando libertado.

► Fig.3: 1. Gatilho

Para arrancar a ferramenta, puxe o gatilho do interruptor. A velocidade da ferramenta aumenta ao aumentar a pressão no gatilho do interruptor. Solte o gatilho do interruptor para parar.

NOTA: A ferramenta para automaticamente se continuar a puxar o gatilho durante cerca de 6 minutos.

Acender a lâmpada da frente

⚠️ PRECAUÇÃO: Não olhe para a luz ou para a fonte de iluminação diretamente.

► Fig.4: 1. Lâmpada

Puxe o gatilho do interruptor para acender a lâmpada. A lâmpada mantém-se acesa enquanto o gatilho do interruptor estiver a ser premido. A lâmpada apaga-se aproximadamente 10 segundos após soltar o gatilho do interruptor.

NOTA: Quando a ferramenta estiver sobreaquecida, a ferramenta para automaticamente e a lâmpada começa a piscar. Neste caso, solte o gatilho do interruptor. A lâmpada desliga ao fim de 1 minuto(s).

NOTA: Utilize um pano seco para limpar a sujidade da lente da lâmpada. Tenha cuidado para não riscar a lente da lâmpada ou a iluminação pode ficar enfraquecida.

Ação do interruptor de inversão

⚠PRECAUÇÃO: Verifique sempre a direção de rotação antes da operação.

⚠PRECAUÇÃO: Só utilize o interruptor de inversão depois de a ferramenta estar completamente parada. Mudar a direção de rotação antes de a ferramenta parar pode estragar a ferramenta.

⚠PRECAUÇÃO: Quando não estiver a utilizar a ferramenta, coloque sempre a alavanca do interruptor de inversão na posição neutra.

Esta ferramenta tem um interruptor de inversão para mudar a direção de rotação. Pressione a alavanca do interruptor de inversão no lado A para rotação para a direita ou no lado B para rotação para a esquerda. Quando a alavanca do interruptor de inversão está na posição neutra, não é possível puxar a alavanca do interruptor.

► **Fig.5:** 1. Alavanca do interruptor de inversão

Mudança de velocidade

OBSERVAÇÃO: Utilize o botão de mudança de velocidade apenas após a paragem completa da ferramenta. Se mudar a velocidade da ferramenta antes de a ferramenta parar pode danificar a ferramenta.

OBSERVAÇÃO: Regule sempre o botão de mudança de velocidade cuidadosamente para a posição correta. Se operar a ferramenta com o botão de mudança de velocidade posicionado a meio entre a posição 1 e a posição 2, a ferramenta pode ficar danificada.

OBSERVAÇÃO: Se a velocidade de rotação diminuir significativamente durante o funcionamento no modo de alta velocidade, pare a ferramenta e altere o modo para o modo de baixa velocidade. Caso contrário, o motor pode ficar sobrecarregado e causar uma anomalia ou incêndio.

É possível pré-selecionar duas gamas de velocidade com o botão de mudança de velocidade.

Para alterar a velocidade, rode o botão de mudança de velocidade de modo que o indicador aponte para a posição 1 para o modo de baixa velocidade ou para a posição 2 para o modo de alta velocidade.

► **Fig.6:** 1. Indicador 2. Botão de mudança de velocidade

Função eletrónica

Travão elétrico

Esta ferramenta está equipada com um travão elétrico. Se a ferramenta consistentemente não deixar de funcionar rapidamente após a libertação do gatilho do interruptor, solicite a reparação da ferramenta num centro de assistência da Makita.

Funcionalidade de arranque suave

Esta função permite o arranque suave da ferramenta ao limitar o binário de arranque.

MONTAGEM

⚠PRECAUÇÃO: Certifique-se sempre de que a ferramenta está desligada e a bateria retirada antes de executar qualquer trabalho na ferramenta.

Instalação do punho lateral (pega auxiliar)

⚠PRECAUÇÃO: Certifique-se sempre de que o punho lateral está instalado em segurança antes da operação.

Aparafuse o punho lateral na ferramenta de forma segura. O punho lateral pode ser instalado em qualquer um dos lados da ferramenta, seja qual for o conveniente.

► **Fig.7:** 1. Punho lateral

Instalar o suporte da chave

(Específico do país)

⚠PRECAUÇÃO: Certifique-se sempre de que o suporte da chave está firmemente instalado antes da operação.

Aparafuse firmemente o suporte da chave na ferramenta. Em seguida, coloque a chave do mandril na devida posição.

► **Fig.8:** 1. Suporte da chave 2. Parafuso 3. Chave do mandril

Instalar ou retirar a broca de perfuração

Para o modelo DDA450

Para instalar a broca de perfuração, coloque-a no mandril até ao fim. Aperte o mandril manualmente. Coloque a chave do mandril em cada um dos três orifícios e aperte para a direita. Certifique-se de que aperta os três orifícios do mandril uniformemente.

Para remover a broca de perfuração, rode a chave do mandril para a esquerda em apenas um dos orifícios, depois solte o mandril à mão.

► **Fig.9:** 1. Chave do mandril

Após a utilização, volte a colocar a chave do mandril no suporte da chave na ferramenta conforme ilustrado.

► **Fig.10:** 1. Suporte da chave

Para o modelo DDA451

Utilize apenas a broca de perfuração concebida com as dimensões apresentadas na figura.

A = 11,2 mm (7/16")

► Fig.11

Para instalar a broca de perfuração, puxe a manga na direção da seta e insira a broca de perfuração dentro da manga até ao fim.

Depois, solte a manga para fixar a broca de perfuração. Para remover a broca de perfuração, puxe a manga na direção da seta e puxe a broca de perfuração para a retirar.

► Fig.12: 1. Broca de perfuração 2. Manga

NOTA: Se a broca de perfuração não estiver inserida em profundidade suficiente, a manga não volta à posição original e a broca não fica segura. Neste caso, volte a inserir a broca de perfuração de acordo com as instruções acima.

NOTA: Depois de inserir a broca de perfuração, certifique-se de que está firmemente segura. Se sair, não a utilize.

Gancho

⚠PRECAUÇÃO: Remova sempre a bateria quando pendurar a ferramenta com o gancho.

⚠PRECAUÇÃO: Nunca enganche a ferramenta num local alto ou numa superfície potencialmente instável.

O gancho é conveniente para pendurar a ferramenta temporariamente.

Para utilizar o gancho, levante o gancho até encaixar na posição aberta. Quando não estiver a utilizar o gancho, desça sempre o gancho até encaixar na posição fechada.

► Fig.13: 1. Gancho

► Fig.14

Ligar o cordão (tirante) ao gancho

⚠PRECAUÇÃO: Não utilize o gancho e os parafusos danificados. Antes de usar, verifique sempre quanto a danos, fendas ou deformações e certifique-se de que os parafusos estão apertados.

⚠PRECAUÇÃO: Certifique-se de que o gancho está firmemente instalado com os parafusos.

⚠PRECAUÇÃO: Não instale nem remova qualquer acessório enquanto pendura a ferramenta. A ferramenta pode cair se os parafusos não estiverem apertados.

⚠PRECAUÇÃO: Utilize sempre um mosquetão de bloqueio (de aço múltipla e do tipo parafuso) e certifique-se de que prende o cordão (tirante) à parte de volta dupla do gancho. A fixação inadequada pode causar a queda da ferramenta do gancho e provocar ferimentos pessoais.

O gancho também é utilizado para ligar o cordão (tirante). Certifique-se de que liga o cordão (tirante) à parte de volta dupla do gancho.

► Fig.15: 1. Parte de volta dupla do gancho 2. Cordão (tirante) 3. Mosquetão de bloqueio (de aço múltipla e do tipo parafuso)

OPERAÇÃO

⚠PRECAUÇÃO: Insira sempre a bateria por completo até bloquear no lugar com um clique. Se conseguir ver o indicador vermelho no lado superior do botão, é porque não está bloqueada completamente. Introduza-a totalmente até o indicador vermelho não puder ser visto. Se isso não acontecer, a bateria pode cair acidentalmente da ferramenta, causando-lhe ferimentos a si ou alguém perto de si.

⚠PRECAUÇÃO: Quando a velocidade baixa demais, eduza a carga ou pare a ferramenta para evitar danificá-la.

⚠PRECAUÇÃO: Segure a ferramenta firmemente quando operar a ferramenta.

Como segurar a ferramenta

⚠PRECAUÇÃO: Esta é uma ferramenta poderosa. O binário alto é desenvolvido e é importante que a ferramenta seja retida firmemente e devidamente suportada.

Agarre a pega com uma mão e a pega frontal com a outra mão.

► Fig.16: 1. Pega frontal 2. Pega

Operação de perfuração

Perfurar em madeira

Quando perfurar em madeira, os melhores resultados são obtidos com brocas para madeira equipadas com um parafuso guia. O parafuso guia facilita a perfuração empurrando a broca de perfuração para dentro da peça de trabalho.

Perfurar em metal

Para evitar que a broca de perfuração deslize quando começa um orifício, faça um entalhe com um punção de bico e um martelo no ponto a perfurar. Coloque a ponta da broca de perfuração no entalhe e comece a perfurar. Utilize um lubrificante de corte quando perfurar metais. As exceções são ferro e latão, que devem ser perfurados a seco.

⚠️PRECAUÇÃO: Não acelerará a perfuração se exercer demasiada pressão na ferramenta. Na realidade, esta pressão excessiva servirá apenas para danificar a ponta da broca de perfuração, diminuir o desempenho da ferramenta e encurtar o tempo de vida útil da ferramenta.

⚠️PRECAUÇÃO: Segure a ferramenta com firmeza e tenha cuidado quando a broca de perfuração começar a atravessar a peça de trabalho. No momento de atravessar o orifício, exercer-se-á uma enorme força na ferramenta/broca de perfuração.

⚠️PRECAUÇÃO: Uma broca de perfuração presa pode ser retirada colocando-se simplesmente o interruptor de inversão para rotação inversa para fazê-la sair. No entanto, a ferramenta pode saltar para trás de repente se não a agarrar firmemente.

⚠️PRECAUÇÃO: Fixe sempre as peças de trabalho num torno ou outro dispositivo de fixação semelhante.

⚠️PRECAUÇÃO: Evite perfurar em material que suspeite conter pregos ocultos ou outras coisas que possam causar o enlace ou a quebra da broca de perfuração.

⚠️PRECAUÇÃO: Se a ferramenta funcionar continuamente até a bateria ficar descarregada, deixe a ferramenta repousar por 15 minutos antes de prosseguir com uma bateria carregada.

Ligação de cordão (tirante)

⚠️Avisos de segurança específicos para utilização em altura
Leia todos os avisos e instruções de segurança. A inobservância dos avisos e das instruções pode resultar em ferimentos graves.

1. Mantenha sempre a ferramenta amarrada quando trabalhar “em altura”. O comprimento máximo do cordão é 2 m. A altura de queda máxima admissível para cordão (tirante) não deve exceder 2 m.
2. Utilize apenas com cordões apropriados para esta ferramenta e com classificação nominal mínima de 5,0 kg (11,0 lbs).
3. Não amarre o cordão da ferramenta em nada no seu corpo ou em componentes móveis. Amarre o cordão da ferramenta a uma estrutura rígida capaz de suportar as forças de uma ferramenta caída.
4. Certifique-se de que o cordão está devidamente seguro em cada extremidade antes de utilizá-lo.
5. Inspeccione a ferramenta e o cordão antes de cada utilização quanto a eventuais danos e ao funcionamento correto (incluindo tecido e costura). Não o utilize se estiver danificado ou se não estiver a funcionar corretamente.
6. Não ate os cordões em redor de bordos afiados ou ásperos, nem permita que toquem nestes.
7. Aperte a outra extremidade do cordão fora da área de trabalho, de modo a segurar firmemente uma ferramenta caída.

8. **Prenda o cordão, de modo que a ferramenta se afaste do operador no caso de cair.** As ferramentas caídas balançam no cordão, o que pode causar ferimentos ou perda de equilíbrio.
9. **Não o utilize próximo de peças móveis ou máquinas em funcionamento.** Se o fizer, pode resultar em perigo de esmagamento ou emaranhamento.
10. **Não transporte a ferramenta através do dispositivo de fixação ou do cordão.**
11. **Transfira a ferramenta de uma mão para a outra apenas enquanto estiver devidamente equilibrado.**
12. **Não prenda cordões à ferramenta de uma forma que impeça as proteções, os interruptores ou desbloqueios de funcionarem corretamente.**
13. **Evite ficar preso no cordão.**
14. **Mantenha o cordão afastado da área de corte da ferramenta.**
15. **Utilize mosquetões multifuncionais e do tipo parafuso. Não utilize mosquetões de mola de ação única.**
16. **No caso de a ferramenta cair, esta deve ser etiquetada e retirada de serviço e deve ser inspecionada por uma fábrica ou centro de assistência autorizado da Makita.**

MANUTENÇÃO

⚠️PRECAUÇÃO: Certifique-se sempre de que a ferramenta se encontra desligada e de que a bateria foi retirada antes de executar qualquer inspeção ou manutenção.

OBSERVAÇÃO: Nunca utilize gasolina, benzina, diluente, álcool ou produtos semelhantes. Pode ocorrer a descoloração, deformação ou rachaduras.

Para manter a SEGURANÇA e a FIABILIDADE do produto, as reparações e qualquer outra manutenção ou ajuste devem ser levados a cabo pelos centros de assistência Makita autorizados ou pelos centros de assistência de fábrica, utilizando sempre peças de substituição Makita.

ACESSÓRIOS OPCIONAIS

⚠️PRECAUÇÃO: Estes acessórios ou peças são recomendados para utilização com a ferramenta Makita especificada neste manual. A utilização de outros acessórios ou peças pode ser perigosa para as pessoas. Utilize apenas acessórios ou peças para os fins indicados.

Se necessitar de informações adicionais relativas a estes acessórios, solicite-as ao seu centro de assistência Makita.

- Brocas de perfuração
- Bateria e carregador genuínos da Makita

NOTA: Alguns itens da lista podem estar incluídos na embalagem da ferramenta como acessórios padrão. Eles podem variar de país para país.

SPECIFIKATIONER

Model:		DDA450		DDA451	
Gearhastighed		Høj	Lav	Høj	Lav
Borekapacitet	Stål	13 mm			
	Træ	Sneglebor: 38 mm Selvfremføringsbit: 50 mm Hulsav: 101 mm	Sneglebor: 38 mm Selvfremføringsbit: 65 mm Hulsav: 127 mm	Sneglebor: 38 mm Selvfremføringsbit: 50 mm Hulsav: 101 mm	Sneglebor: 38 mm Selvfremføringsbit: 65 mm Hulsav: 127 mm
Hastighed uden belastning		0 - 1.400 min ⁻¹	0 - 450 min ⁻¹	0 - 1.400 min ⁻¹	0 - 450 min ⁻¹
Samlet længde (med akku BL1860B)		434 mm			
Mærkespænding		DC 18 V			
Nettovægt		3,2 - 3,5 kg		3,0 - 3,3 kg	

- På grund af vores kontinuerlige forsknings- og udviklingsprogrammer kan hosstående specifikationer blive ændret uden varsel.
- Specifikationer kan variere fra land til land.
- Vægten kan være anderledes afhængigt af tilbehøret, inklusive akkuen. Den letteste og tungeste kombination i henhold til EPTA-procedure 01/2014 er vist i tabellen.

Anvendelig akku og oplader

Akku	BL1815N / BL1820B / BL1830B / BL1840B / BL1850B / BL1860B
Oplader	DC18RC / DC18RD / DC18RE / DC18SD / DC18SE / DC18SF / DC18SH / DC18WC

- Nogle af de akkuer og opladere, der er angivet ovenfor, er muligvis ikke tilgængelige, afhængigt af hvilket område du bor i.

⚠ ADVARSEL: Brug kun de akkuer og opladere, der er angivet ovenfor. Brug af andre akkuer og opladere kan medføre personskaade og/eller brand.

Tilsligtet anvendelse

Maskinen er beregnet til at bore i træ, metal og plastik.

Støj

Det typiske A-vægtede støjniveau bestemt i overensstemmelse med EN62841-2-1:
 Lydtryksniveau (L_{pA}): 83 dB (A)
 Lydeffektniveau (L_{WA}): 94 dB (A)
 Usikkerhed (K): 3 dB (A)

BEMÆRK: De(n) angivne støjmissionsværdi(er) er målt i overensstemmelse med en standardtestmetode og kan anvendes til at sammenligne en maskine med en anden.

BEMÆRK: De(n) angivne støjmissionsværdi(er) kan også anvendes i en præliminær eksponeringsvurdering.

⚠ ADVARSEL: Bær høreværn.

⚠ ADVARSEL: Støjmissionen under den faktiske anvendelse af maskinen kan være forskellig fra de(n) angivne værdi(er), afhængigt af den måde hvorpå maskinen anvendes, især den type arbejdsemne der behandles.

⚠ ADVARSEL: Sørg for at identificere de sikkerhedsforskrifter til beskyttelse af operatøren, som er baseret på en vurdering af eksponering under de faktiske brugsforhold (med hensyntagen til alle dele i brugs cyklussen, f.eks. de gange, hvor maskinen er slukket, og når den kører i tomgang i tilgift til afbrydertiden).

Vibration

Vibrationens totalværdi (tre-aksial vektorsum) bestemt i overensstemmelse med EN62841-2-1:
 Arbejdstilstand: boring i metal
 Vibrationsemission ($a_{h,D}$): 2,5 m/s² eller mindre
 Usikkerhed (K): 1,5 m/s²

BEMÆRK: De(n) angivne totalværdi(er) for vibration er målt i overensstemmelse med en standardtestmetode og kan anvendes til at sammenligne en maskine med en anden.

BEMÆRK: De(n) angivne totalværdi(er) for vibration kan også anvendes i en præliminær eksponeringsvurdering.

⚠ ADVARSEL: Vibrationsemissionen under den faktiske anvendelse af maskinen kan være forskellig fra de(n) angivne værdi(er), afhængigt af den måde hvorpå maskinen anvendes, især den type arbejdsemne der behandles.

⚠ ADVARSEL: Sørg for at identificere de sikkerhedsforskrifter til beskyttelse af operatøren, som er baseret på en vurdering af eksponering under de faktiske brugsforhold (med hensyntagen til alle dele i brugscyklussen, f.eks. de gange, hvor maskinen er slukket, og når den kører i tomgang i tilgift til afbrydertiden).

EF-overensstemmelseserklæring

Kun for lande i Europa

EF-overensstemmelseserklæringen er inkluderet som Bilag A i denne brugsanvisning.

SIKKERHEDSADVARSLER

Almindelige sikkerhedsregler for el-værktøj

⚠ ADVARSEL: Læs alle de sikkerhedsadvarsler, instruktioner, illustrationer og specifikationer, der følger med denne maskine. Forsømmelse af at overholde alle nedenstående instruktioner kan medføre elektrisk stød, brand og/eller alvorlig personskade.

Gem alle advarsler og instruktioner til fremtidig reference.

Ordet "el-værktøj" i advarslerne henviser til det netforsyede (netledning) el-værktøj eller batteriforsyede (akku) el-værktøj.

Sikkerhedsadvarsler for akku boremaskine

Sikkerhedsinstruktioner for alle betjening

1. **Brug hjælpehåndtaget (-håndtagene).** Hvis herredømmet over maskinen mistes, kan det føre til tilskadekomst.
2. **Hold maskinen i de isolerede grebflader, når der udføres et arbejde, hvor skæretilbehøret kan komme i kontakt med skjulte ledninger.** Skæretilbehør, som kommer i kontakt med en strømførende ledning, kan gøre maskinens ikke-isolerede metaldele strømførende, hvilket kan give operatøren elektrisk stød.
3. **Vær altid sikker på, at De har et godt fodfæste.** Vær sikker på, at der ikke befinder sig nogen nedenunder, når maskinen anvendes i højden.
4. **Hold godt fast i maskinen.**
5. **Hold hænderne væk fra roterende dele.**
6. **Lad ikke maskinen køre i tomgang.** Anvend kun maskinen håndholdt.
7. **Rør ikke ved borebitten eller arbejdsstykket umiddelbart efter arbejdet, da de kan være meget varme og give hudforbrændinger.**

8. **Nogle materialer indeholder kemikalier, som kan være giftige.** Vær påpasselig med at forhindre inhalering af støv og hudkontakt. Følg materiale-leverandørens sikkerhedsdata.
9. **Hvis borebitten ikke kan løsnes, selvom du åbner kæberne, skal du bruge en tang til at trække den ud.** Hvis du i et sådant tilfælde trækker borebitten ud i hånden, kan det medføre personskade på grund af dens skarpe kant.
10. **Hvis der er noget galt med maskinen, som fx unormale lyde, skal du med det samme ophøre med betjeningen og bede dit lokale Makita-servicecenter om reparation.**
11. **Inden betjening skal du sørge for, at der ikke er nogen skjulte genstande som fx elektriske rør, vandrør eller gasrør i jorden.** Ellers kan maskinen muligvis komme i kontakt med dem, hvilket kan resultere i elektrisk stød, ellækage eller gaslækage.

Sikkerhedsinstruktioner ved brug af lange borebits

1. **Må aldrig anvendes ved en højere hastighed end den maksimale hastighedsnormering for borebitten.** Ved højere hastigheder er det sandsynligt, at bitten bøjer, hvis den tillades at dreje frit uden kontakt med arbejdsemnet, hvilket resulterer i personskade.
2. **Start altid boring ved lav hastighed og med spidsen af bitten i kontakt med arbejdsemnet.** Ved højere hastigheder er det sandsynligt, at bitten bøjer, hvis den tillades at dreje frit uden kontakt med arbejdsemnet, hvilket resulterer i personskade.
3. **Tryk kun direkte i bittens retning og anvend ikke for meget tryk.** Bits kan bøje og forårsage brud eller tab af kontrollen, hvilket kan medføre personskade.

GEM DISSE FORSKRIFTER.

⚠ ADVARSEL: LAD IKKE bekvemmelighed eller kendskab til produktet (opnået gennem gentagen brug) forhindre, at sikkerhedsforskrifterne for produktet nøje overholdes. MISBRUG eller forsømmelse af at følge de i denne brugsvejledning givne sikkerhedsforskrifter kan medføre alvorlig personskade.

Vigtige sikkerhedsinstruktioner for akkuen

1. **Læs alle instruktioner og advarselmærkater på (1) akku-opladeren, (2) akkuen og (3) produktet, som anvender akku.**
2. **Adskil eller ændr ikke akkuen.** Det kan muligvis resultere i en brand, overdreven varme eller eksplosion.
3. **Hold straks op med anvendelsen, hvis brugstiden er blevet stærkt afkortet.** Fortsat anvendelse kan resultere i risiko for overophedning, forbrændinger og endog eksplosion.
4. **Hvis De har fået elektrolytvæske i øjnene, skal De straks skylle den ud med rent vand og derefter øjeblikkeligt søge lægehjælp.** I modsat fald kan De miste synet.

5. Vær påpasselig med ikke at komme til at kortslutte akkuen:
 - (1) Rør ikke ved terminalerne med noget ledende materiale.
 - (2) Udgå at opbevare akkuen i en beholder sammen med andre genstande af metal, for eksempel søm, mønter og lignende.
 - (3) Udsæt ikke akkuen for vand eller regn. Kortslutning af akkuen kan forårsage en kraftig øgning af strømmen, overophedning, mulig forbrændinger og endog værktøjstop.
6. Opbevar og brug ikke maskinen og akkuen på steder, hvor temperaturen muligvis kan nå eller overstige 50 °C.
7. Lad være med at brænde akkuen, selv ikke i tilfælde, hvor den har lidt alvorlig skade eller er fuldstændig udtjent. Akkuen kan eksplodere, hvis man forsøger at brænde den.
8. Slå ikke søm i, skær ikke i, knus, kast, tab ikke akkuen og stød ikke akkuen mod en hård genstand. Sådanne adfærd kan muligvis resultere i en brand, overdreven varme eller eksplosion.
9. Anvend ikke en beskadiget akku.
10. De indbyggede litium-ion-batterier er underlagt lovkrav vedrørende farligt gods. Ved kommerciel transport, f.eks. af tredjeparts transportselskaber, skal særlige krav til forpakning og mærkning overholdes. Ved forberedelse af udstyret til forsendelse skal du kontakte en ekspert i farligt gods. Overhold også eventuel mere detaljeret national lovgivning. Tape eller tildæk åbne kontakter, og pak batteriet på en måde, så det ikke kan flytte sig rundt i pakningen.
11. Når akkuen bortskaftes, skal du fjerne den fra maskinen og bortskaft den på et sikkert sted. Følg de lokale love vedrørende bortskaftelsen af batterier.
12. Brug kun batterierne med de produkter, som Makita specificerer. Hvis batterierne installeres i ikke-kompatible produkter, kan det medføre brand, kraftig varme, eksplosion eller udsivning af elektrolyt.
13. Hvis maskinen ikke skal bruges i længere tid ad gangen, skal du fjerne batteriet fra maskinen.
14. Akkuen kan muligvis under og efter brug være varm, hvilket kan forårsage forbrændinger eller lavtemperaturforbrændinger. Vær påpasselig med håndtering af varme akkuer.
15. Rør ikke terminalen på maskinen straks efter brug, da den bliver varm nok til at forårsage forbrændinger.
16. Sørg for, at spåner, støv eller jord ikke sætter sig fast i akkuens terminaler, huller og riller. Det kan forårsage opvarmning, antændelse, sprængning og funktionsfejl i maskinen eller akkuen, hvilket kan medføre forbrændinger eller personskaade.
17. Medmindre maskinen understøtter brugen i nærheden af elektriske højspændingsledninger, skal du ikke anvende akkuen i nærheden af elektriske højspændingsledninger. Det kan muligvis medføre funktionsfejl på eller nedbrud af maskinen eller akkuen.
18. Opbevar batteriet utilgængeligt for børn.

⚠FORSIGTIG: Brug kun originale batterier fra Makita. Brug af uoriginale Makita-batterier, eller batterier som er blevet ændret, kan muligvis medføre brud på batteriet, hvilket kan forårsage brand, personskaade eller beskadigelse. Det ugyldiggør også Makita-garantien for Makita-maskinen og opladeren.

Tips til opnåelse af maksimal akku-levetid

1. Oplad akkuen, inden den er helt afladet. Stop altid værktøjet, og oplad akkuen, hvis De bemærker, at værktøjeffekten er aftagende.
2. Genoplad aldrig en fuldt opladet akku. Overopladning vil forkorte akkuens levetid.
3. Oplad akkuen ved stuetemperatur ved 10 °C - 40 °C. Lad altid en varm akku få tid til at køle af, inden den oplades.
4. Når du ikke anvender akkuen, skal du fjerne den fra maskinen eller opladeren.
5. Oplad akkuen, hvis De ikke skal bruge den i længere tid (mere end seks måneder).

FUNKTIONSBESKRIVELSE

⚠FORSIGTIG: Sørg altid for at maskinen er slukket, og at akkuen er taget ud, før der udføres justering eller kontrol af funktioner på maskinen.

Isætning eller fjernelse af akkuen

⚠FORSIGTIG: Sluk altid for værktøjet, før De monterer eller fjerner akkuen.

⚠FORSIGTIG: Hold værktøjet og akkuen fast ved montering eller fjernelse af akkuen. Hvis De ikke holder værktøjet og akkuen fast, kan de glide ud af hænderne på Dem og forårsage beskadigelse af værktøjet og akkuen eller personskaade.

► Fig. 1: 1. Rød indikator 2. Knap 3. Akku

Akkuen fjernes ved, at De trækker den ud af værktøjet, idet De skyder knappen på forsiden af akkuen i stilling.

For at montere akkuen skal du justere tungen på akkuen med rillen i huset og skubbe den på plads. Indsæt den hele vejen, indtil den låses på plads med et lille klik. Hvis du kan se den røde indikator, som vist i figuren, er den ikke helt låst.

⚠FORSIGTIG: Monter altid akkuen helt, indtil den røde indikator ikke længere er synlig. Hvis dette ikke gøres, kan den falde ud af værktøjet ved et uheld, hvorved De selv eller personer i nærheden kan komme til skade.

⚠FORSIGTIG: Brug ikke magt ved montering af akkuen. Hvis akkuen ikke glider på plads uden problemer, betyder det, at den ikke sættes i på korrekt vis.

GEM DENNE BRUGSANVISNING.

Indikation af den resterende batteriladning

Kun til akkuer med indikatoren

► Fig.2: 1. Indikatorlamper 2. Kontrolknop

Tryk på kontrolknappen på akkuen for at få vist den resterende batteriladning. Indikatorlampen lyser i nogle sekunder.

Indikatorlamper			Resterende ladning
Tændt	Slukket	Blinker	
■	□	▧	75% til 100%
■ ■ ■ ■			
■ ■ ■ ■	□		50% til 75%
■ ■ ■ □	□ □		25% til 50%
■ □ □ □	□ □ □ □		0% til 25%
▧ □ □ □	□ □ □ □		Genoplad batteriet.
■ ■ □ □	□ □ □ □		Der er muligvis fejl i batteriet.
□ □ ■ ■			

BEMÆRK: Afhængigt af brugsforholdene og den omgivende temperatur kan indikationen afvige en smule fra den faktiske ladning.

BEMÆRK: Den første indikatorlampe (længst mod venstre) vil blinke, når batteribeskyttelsessystemet aktiveres.

Beskyttelsessystem til værktøj/batteri

Maskinen er udstyret med et beskyttelsessystem til maskinen/batteriet. Dette system afbryder automatisk strømmen til motoren for at forlænge maskinens og batteriets levetid. Maskinen stopper automatisk under brugen, hvis maskinen eller batteriet udsættes for et af følgende forhold:

Overbelastningsbeskyttelse

Hvis maskinen/batteriet bruges på en måde, der får den til at trække en unormalt høj strøm, stopper maskinen automatisk. I denne situation skal du slukke for maskinen og stoppe den anvendelse, som bevirkede, at maskinen blev overbelastet. Tænd derefter for maskinen for at starte den igen.

Beskyttelse mod overophedning

Når maskinen/batteriet er overophedet, stopper maskinen automatisk, og lampen blinker. Lad i så fald maskinen køle af, før du tænder for maskinen igen.

Beskyttelse mod overafledning

Når batteriladningen er utilstrækkelig, stopper maskinen automatisk. Tag i så fald akkuen ud af maskinen, og oplad akkuen.

Afbryderbetjening

⚠FORSIGTIG: Inden akkuen sættes i maskinen, bør De altid kontrollere, at afbryderknappen fungerer korrekt, og returnerer til "OFF"-positionen, når den slippes.

► Fig.3: 1. Afbryderknop

For at starte maskinen skal du trykke på afbryderknappen. Maskinens hastighed øges ved at trykke på afbryderknappen. Slip afbryderknappen for at stoppe.

BEMÆRK: Maskinen stopper automatisk, hvis De bliver ved med at trykke på afbryderknappen i cirka 6 minutter.

Tænding af lampen foran

⚠FORSIGTIG: Kig aldrig direkte på lyskilden. Lad ikke lyset falde i Deres øjne.

► Fig.4: 1. Lampe

Tryk afbryderknappen ind for at tænde for lampen. Lampen fortsætter med at lyse, så længe afbryderknappen trykkes ind. Lampen slukker omkring 10 sekunder efter at afbryderknappen er udløst.

BEMÆRK: Hvis maskinen er overophedet, stopper maskinen automatisk, og lampen begynder at blinke. I så fald skal du slippe afbryderknappen. Lampen slukkes efter 1 minut.

BEMÆRK: Brug en tør klud til at tørre snavset af lampens linse. Pas på ikke at ridse lampens linse, da dette muligvis kan dæmpe belysningen.

Omløbsvælgerbetjening

⚠FORSIGTIG: Kontrollér altid omløbsretningen, inden arbejdet påbegyndes.

⚠FORSIGTIG: Flyt kun omløbsvælgeren, når maskinen er helt standset. Hvis omløbsretningen ændres, inden maskinen er helt stoppet, kan det beskadige maskinen.

⚠FORSIGTIG: Sæt altid omløbsvælgeren i neutral stilling, når maskinen ikke anvendes.

Denne maskinen har en omløbsvælger til at skifte omløbsretning. Skub omløbsvælgeren ind fra A-siden for omdrejning med uret, og fra B-siden for omdrejning mod uret.

Når omløbsvælgeren er i neutral stilling, kan kontakthåndtaget ikke trækkes ud.

► Fig.5: 1. Omløbsvælger

Skift af hastighed

BEMÆRKNING: Brug kun hastighedsvælgerknappen, efter at maskinen er stoppet helt. Hvis maskinens hastighed ændres, før maskinen er stoppet, kan det beskadige maskinen.

BEMÆRKNING: Sæt altid omhyggeligt hastighedsvælgerknappen i den korrekte position. Hvis maskinen anvendes med hastighedsvælgerknappen sat halvejs mellem position 1 og position 2, kan maskinen lide skade.

BEMÆRKNING: Hvis rotationshastigheden falder væsentligt under brug i højhastighedstilstand, skal du stoppe maskinen og skifte til lavhastighedstilstand. Ellers kan motoren blive overbelastet og forårsage fejlfunktion eller brand.

Der kan forudindstilles to hastighedsintervaller ved hjælp af hastighedsvælgerknappen.

Hvis du vil ændre hastigheden, skal du dreje hastighedsvælgerknappen, så pilen peger mod position 1 for lavhastighedstilstand eller position 2 for højhastighedstilstand.

► **Fig.6:** 1. Pil 2. Hastighedsvælgerknop

Elektronisk funktion

Elektrisk bremse

Denne maskine er udstyret med en elektrisk bremse. Hvis maskinen konsekvent undlader at stoppe hurtigt, efter at afbryderknappen slippes, skal der udføres service på maskinen hos et Makita-servicecenter.

Funktion til blød start

Denne funktion muliggør blød start af maskinen ved at begrænse drejningsmomentet ved start.

SAMLING

⚠FORSIGTIG: Sørg altid for at maskinen er slukket, og at akkuen er taget ud, før der udføres noget arbejde på maskinen.

Montering af sidehåndtaget (ekstra håndtag)

⚠FORSIGTIG: Sørg altid for, at sidehåndtaget er ordentligt monteret inden brugen.

Skrue sidehåndtaget forsvarligt fast på maskinen. Sidehåndtaget kan monteres på begge sider af maskinen, afhængigt af hvad der er mest praktisk.

► **Fig.7:** 1. Sidehåndtag

Montering af nøgleholder

(Landespecifik)

⚠FORSIGTIG: Sørg altid for, at nøgleholderen er ordentligt monteret inden brug.

Skrue nøgleholderen forsvarligt fast på maskinen. Sæt derefter patronnøglen i position.

► **Fig.8:** 1. Nøgleholder 2. Skrue 3. Patronnøgle

Montering eller afmontering af borebit

Til model DDA450

Ved montering af borebitten skal den sættes så langt i patronen, som den kan komme. Stram patronen med hånden. Anbring patronnøglen i hvert af de tre huller, og stram i retningen med uret. Sørg for at stramme alle tre patronhuller jævnt.

For at fjerne borebitten drejes patronnøglen i retningen mod uret i blot et af hullerne. Løsn derefter patronen i hånden.

► **Fig.9:** 1. Patronnøgle

Efter brug skal patronnøglen returneres til nøgleholderen på maskinen som vist.

► **Fig.10:** 1. Nøgleholder

Til model DDA451

Brug kun den borebit, der er designet med mål vist på figuren.

A=11,2 mm (7/16")

► **Fig.11**

Borebitten monteres ved at trække muffen i pilens retning og sætte borebitten så langt ned i muffen, som den kan komme.

Slip derefter muffen for at fastgøre borebitten.

Borebitten afmonteres ved at trække muffen i pilens retning og trække borebitten ud.

► **Fig.12:** 1. Borebit 2. Muffe

BEMÆRK: Hvis borebitten ikke sættes langt nok ind i muffen, vender muffen ikke tilbage til den oprindelige position, og borebitten sidder ikke fast. Prøv i så fald at indsætte borebitten igen i henhold til ovenstående instruktioner.

BEMÆRK: Når borebitten er indsat, skal De kontrollere, at den sidder godt fast. Undlad at bruge den, hvis den går løs.

Krog

⚠FORSIGTIG: Tag altid batteriet ud, når du hænger maskinen på krogen.

⚠FORSIGTIG: Hæng aldrig maskinen på et højt sted eller på en potentielt ustabil overflade.

Krogen er praktisk til midlertidig ophængning af maskinen.

For at benytte krogen skal du blot løfte krogen opad, indtil den klikker på plads i den åbne stilling. Sænk altid krogen, indtil den klikker på plads i den lukkede stilling, når den ikke benyttes.

► **Fig.13:** 1. Krog

► **Fig.14**

Montering af tøjresnor (sikkerhedsline) på krogen

⚠FORSIGTIG: Brug ikke en beskadiget krog og skruer. Før brugen skal du altid se efter skader, revner eller deformationer og sikre dig, at skrueerne er strammet.

⚠FORSIGTIG: Sørg for, at krogen er monteret ordentligt med skrueerne.

⚠FORSIGTIG: Du må ikke montere eller afmontere tilbehør, mens du hænger maskinen op. Maskinen kan falde ned, hvis skrueerne ikke er tilspændt.

⚠FORSIGTIG: Brug altid en låsekarabinhage (flerfunktions- og skruetype) og sørg for at tøjresnoren (sikkerhedslinen) monteres til den del af krogen med den dobbelte løkke. Forkert montering kan muligvis medføre, at maskinen falder af krogen og resultere i personskade.

Krognen anvendes også til tilslutning af tøjresnoren (sikkerhedslinen). Sørg for at tilslutte tøjresnoren (sikkerhedslinen) til den del af krognen med den dobbelte løkke.

- **Fig.15:** 1. Del af krognen med dobbelt løkke 2. Tøjresnor (sikkerhedsline) 3. Låsekarabinhage (flerfunktions- og skruetype)

ANVENDELSE

⚠FORSIGTIG: Sæt altid akkuen helt ind, indtil den låses på plads. Hvis du kan se den røde indikator på den øverste side af knappen, er den ikke helt låst. Sæt den helt ind, indtil den røde indikator ikke kan ses. I modsat fald kan den ved et uheld falde ud af maskinen og medføre personskade på dig eller personer i nærheden.

⚠FORSIGTIG: Når hastigheden falder ekstremt meget, skal belastningen reduceres, eller maskinen skal stoppes for at undgå beskadigelse af maskinen.

⚠FORSIGTIG: Hold godt fast i maskinen, når du betjener maskinen.

Sådan holdes maskinen

⚠FORSIGTIG: Dette er en kraftig maskine. Der udvikles et højt moment, og det er vigtigt, at maskinen holdes godt fast og understøttes korrekt.

Tag fat i håndtaget med den ene hånd og det forreste håndtag med den anden hånd.

- **Fig.16:** 1. Forreste håndtag 2. Håndtag

Boring

Boring i træ

Når der bores i træ, opnås det bedste resultat med træbor, som er udstyret med en ledeskruer. Ledeskruen gør boring nemmere ved at trække borebitten ind i arbejdsstykket.

Boring i metal

For at forhindre borebitten i at glide, når man begynder på et hul, skal man lave et hak med en kørner og en hammer på det punkt, hvor der skal bores. Anbring spidsen af borebitten i hakket og begynd boringen. Brug skæresmørelse, når der bores i metal. Undtagelserne er jern og messing, som skal tørbores.

⚠FORSIGTIG: Et kraftigere tryk på maskinen vil ikke gøre boringen hurtigere. Faktisk vil et kraftigere tryk kun føre til skade på spidsen af borebitten, nedsætte maskinens ydelse og afkorte maskinens levetid.

⚠FORSIGTIG: Hold godt fast i maskinen og udvis forsigtighed, når borebitten begynder at bryde igennem arbejdsstykket. Maskinen/borebitten udsættes for en kraftig påvirkning på det tidspunkt, hvor der brydes igennem hullet.

⚠FORSIGTIG: En borebit, der har sat sig fast, kan fjernes ved at man ganske enkelt sætter omløbsvælgeren til baglæns rotation for at bakke ud. Imidlertid kan maskinen pludselig bakke ud, hvis man ikke holder godt fast i den.

⚠FORSIGTIG: Fastgør altid arbejdsemner i en skruestik eller lignende udstyr til fastgørelse.

⚠FORSIGTIG: Undgå at bore i materiale, som du har mistanke om indeholder skjulte søm eller andre genstande, der kan få borebitten til at sidde fast eller gå i stykker.

⚠FORSIGTIG: Hvis maskinen benyttes konstant, indtil akkuen er afladet, skal maskinen have lov til at hvile i 15 minutter, før der fortsættes med et opladet batteri.

Montering af tøjresnor (sikkerhedsline)

⚠ Specifikke sikkerhedsadvarsler for brug på høje steder

Læs alle sikkerhedsadvarsler og instruktioner. Hvis alle advarsler og instruktioner ikke følges, kan det medføre alvorlig personskade.

1. Hold altid maskinen tøjret, når du arbejder "i højden". Tøjresnoren maksimale længde er 2 m. Den maksimale tilladelige faldhøjde for tøjresnoren (sikkerhedslinen) må ikke overstige 2 m.
2. Brug kun sammen med tøjresnore, der passer til denne maskintype og er normeret til mindst 5,0 kg (11,0 lbs).

3. Undlad at forankre maskinens tøjresnor til nogen del af din krop eller til bevægelige komponenter. Fastgør maskinens tøjresnor til en fast struktur, som kan modstå kraften af en maskine, der tabes.
4. Sørg for, at tøjresnoren er korrekt fastgjort i begge ender før brugen.
5. Inspicer maskinen og tøjresnoren før hver gang, den bruges, for beskadigelser og korrekt funktion (inklusive stof og sammenhæftning). Undlad brug, hvis den er beskadiget eller ikke fungerer korrekt.
6. Undlad at vikle tøjresnore omkring skarpe eller ru kanter eller at lade dem komme i kontakt med disse.
7. Fastgør den anden ende af tøjresnoren uden for arbejdsområdet, så en nedfaldende maskine fastholdes sikkert.
8. Fastgør tøjresnoren på en sådan måde, at maskinen vil bevæge sig væk fra operatøren, hvis den falder ned. Tabte maskiner vil svinge i tøjresnoren, hvilket kan medføre personskaade eller tab af balancen.
9. Undlad brug i nærheden af dele i bevægelse eller maskiner, der kører. Hvis du ikke gør dette, kan det medføre risiko for knusning eller indvikling.
10. Undlad at bære maskinen ved at holde i monteringsenheden eller tøjresnoren.
11. Overfør kun maskinen mellem dine hænder, når du har korrekt balance.
12. Undlad at fastgøre tøjresnore til maskinen på en måde, der forhindrer beskyttelsesskærme, kontakter eller låseanordninger i at fungere korrekt.
13. Undgå at blive viklet ind i tøjresnoren.
14. Hold tøjresnoren væk fra maskinens skæreområde.
15. Brug karabinhager af flerfunktions- og skrueporttyperne. Brug ikke karabinhager med enkeltfunktions fjederklemmer.
16. Hvis maskinen tabes, skal den mærkes og tages ud af tjeneste og inspiceres af en Makita-fabrik eller et autoriseret servicecenter.

EKSTRAUDSTYR

⚠FORSIGTIG: Det følgende tilbehør og ekstraudstyr er anbefalet til brug med Deres Makita maskine, der er beskrevet i denne brugsanvisning. Anvendelse af andet tilbehør eller ekstraudstyr kan udgøre en risiko for personskaade. Anvend kun tilbehør og ekstraudstyr til det beskrevne formål.

Hvis De behøver hjælp ved valg af tilbehør eller ønsker yderligere informationer, bedes De kontakte Deres lokale Makita servicecenter.

- Borebits
- Original Makita-akku og oplader

BEMÆRK: Nogle ting på denne liste kan være inkluderet i værktøjspakken som standardtilbehør. Det kan være forskellige fra land til land.

VEDLIGEHOJDELSE

⚠FORSIGTIG: Vær altid sikker på, at værktøjet er slukket, og at akkuen er taget ud, inden De begynder at udføre inspektion eller vedligeholdelse.

BEMÆRKNING: Anvend aldrig benzin, rensebenzin, fortynder, alkohol og lignende. Det kan medføre misfarvning, deformation eller revner.

For at opretholde produktets SIKKERHED og PALIDELIGHED må reparation, vedligeholdelse eller justering kun udføres af et autoriseret Makita servicecenter eller fabrikksservicecenter med anvendelse af Makita reservedele.

ΠΡΟΔΙΑΓΡΑΦΕΣ

Μοντέλο:		DDA450		DDA451	
Ταχύτητα οδοντοτροχού		Υψηλή	Χαμηλή	Υψηλή	Χαμηλή
Ικανότητες τρυπάνιματος	Ατσάλι	13 mm			
	Ξύλο	Μύτη τρυπανιού: 38 mm Αυτοτροφοδο- τούμενη μύτη: 50 mm Πρίοι διάνοιξης οπών: 101 mm	Μύτη τρυπανιού: 38 mm Αυτοτροφοδο- τούμενη μύτη: 65 mm Πρίοι διάνοιξης οπών: 127 mm	Μύτη τρυπανιού: 38 mm Αυτοτροφοδο- τούμενη μύτη: 50 mm Πρίοι διάνοιξης οπών: 101 mm	Μύτη τρυπανιού: 38 mm Αυτοτροφοδο- τούμενη μύτη: 65 mm Πρίοι διάνοιξης οπών: 127 mm
Ταχύτητα χωρίς φορτίο		0 - 1.400 min ⁻¹	0 - 450 min ⁻¹	0 - 1.400 min ⁻¹	0 - 450 min ⁻¹
Συνολικό μήκος (με κασέτα μπαταριών BL1860B)		434 mm			
Ονομαστική τάση		D.C. 18 V			
Καθαρό βάρος		3,2 - 3,5 kg		3,0 - 3,3 kg	

- Λόγω του συνεχιζόμενου προγράμματος έρευνας και ανάπτυξης, οι προδιαγραφές αυτές υπόκεινται σε αλλαγές χωρίς προειδοποίηση.
- Τα τεχνικά χαρακτηριστικά μπορεί να διαφέρουν από χώρα σε χώρα.
- Το βάρος μπορεί να διαφέρει ανάλογα με τα προσαρτήματα, συμπεριλαμβάνοντας την κασέτα μπαταριών. Ο ελαφρύτερος και ο βαρύτερος συνδυασμός, σύμφωνα με τη διαδικασία ΕΡΤΑ 01/2014, παρουσιάζονται στον πίνακα.

Ισχύουσα κασέτα μπαταριών και φορτιστής

Κασέτα μπαταρίας	BL1815N / BL1820B / BL1830B / BL1840B / BL1850B / BL1860B
Φορτιστής	DC18RC / DC18RD / DC18RE / DC18SD / DC18SE / DC18SF / DC18SH / DC18WC

- Ορισμένες από τις κασέτες και τους φορτιστές μπαταριών που αναγράφονται παραπάνω ίσως να μην είναι διαθέσιμοι, ανάλογα με την τοποθεσία κατοικίας σας.

⚠ ΠΡΟΕΙΔΟΠΟΙΗΣΗ: Να χρησιμοποιείτε μόνο τις κασέτες μπαταριών και τους φορτιστές που παρατίθενται ανωτέρω. Η χρήση οποιασδήποτε άλλης κασέτας μπαταριών ή φορτιστή μπορεί να προκαλέσει τραυματισμό ή/και πυρκαγιά.

Προοριζόμενη χρήση

Το εργαλείο προορίζεται για τρυπάνισμα σε ξύλο, μέταλλο και πλαστικό.

Θορύβος

Το τυπικό Α επίπεδο καταμετρημένου θορύβου καθορίζεται σύμφωνα με το EN62841-2-1:

Στάθμη ηχητικής πίεσης (L_{pA}): 83 dB (A)

Στάθμη ηχητικής ισχύος (L_{WA}): 94 dB (A)

Αβεβαιότητα (K): 3 dB (A)

ΠΑΡΑΤΗΡΗΣΗ: Η δηλωμένη τιμή(ές) εκπομπής θορύβου έχει μετρηθεί σύμφωνα με την πρότυπη μέθοδο δοκιμής και μπορεί να χρησιμοποιηθεί για τη σύγκριση ενός εργαλείου με κάποιο άλλο.

ΠΑΡΑΤΗΡΗΣΗ: Η δηλωμένη τιμή(ές) εκπομπής θορύβου μπορεί να χρησιμοποιηθεί και στην προκαταρκτική αξιολόγηση της έκθεσης.

⚠ ΠΡΟΕΙΔΟΠΟΙΗΣΗ: Να φοράτε ωτοασπίδες.

⚠ ΠΡΟΕΙΔΟΠΟΙΗΣΗ: Η εκπομπή θορύβου κατά τη χρήση του ηλεκτρικού εργαλείου σε πραγματικές συνθήκες μπορεί να διαφέρει από τη δηλωμένη τιμή(ές) ανάλογα με τους τρόπους χρήσης του εργαλείου, ιδιαίτερα το είδος του τεμαχίου εργασίας που υπόκειται επεξεργασία.

⚠ ΠΡΟΕΙΔΟΠΟΙΗΣΗ: Φροντίστε να λάβετε τα κατάλληλα μέτρα προστασίας του χειριστή βάσει ενός υπολογισμού της έκθεσης σε πραγματικές συνθήκες χρήσης (λαμβάνοντας υπόψη όλες τις συνιστώσες του κύκλου λειτουργίας όπως τους χρόνους που το εργαλείο είναι εκτός λειτουργίας και όταν βρίσκεται σε αδρανή λειτουργία πέραν του χρόνου ενεργοποίησης).

Κραδασμός

Η ολική τιμή δόνησης (άθροισμα τρι-αξονικού διανύσματος) καθορίζεται σύμφωνα με το EN62841-2-1: Είδος εργασίας: τρυπάνισμα σε μέταλλο Εκπομπή δόνησης ($a_{h,D}$): 2,5 m/s² ή λιγότερο Αβεβαιότητα (K): 1,5 m/s²

ΠΑΡΑΤΗΡΗΣΗ: Η δηλωμένη τιμή(ές) συνολικών κραδασμών έχει μετρηθεί σύμφωνα με την πρότυπη μέθοδο δοκιμής και μπορεί να χρησιμοποιηθεί για τη σύγκριση ενός εργαλείου με κάποιο άλλο.

ΠΑΡΑΤΗΡΗΣΗ: Η δηλωμένη τιμή(ές) συνολικών κραδασμών μπορεί να χρησιμοποιηθεί και στην προκαταρκτική αξιολόγηση της έκθεσης.

▲ ΠΡΟΕΙΔΟΠΟΙΗΣΗ: Η εκπομπή κραδασμών κατά τη χρήση του ηλεκτρικού εργαλείου σε πραγματικές συνθήκες μπορεί να διαφέρει από τη δηλωμένη τιμή(ές) εκπομπής ανάλογα με τους τρόπους χρήσης του εργαλείου, ιδιαίτερα το είδος του τεμαχίου εργασίας που υπόκειται επεξεργασία.

▲ ΠΡΟΕΙΔΟΠΟΙΗΣΗ: Φροντίστε να λάβετε τα κατάλληλα μέτρα προστασίας του χειριστή βάσει ενός υπολογισμού της έκθεσης σε πραγματικές συνθήκες χρήσης (λαμβάνοντας υπόψη όλες τις συνιστώσες του κύκλου λειτουργίας όπως τους χρόνους που το εργαλείο είναι εκτός λειτουργίας και όταν βρίσκεται σε αδρανή λειτουργία πέραν του χρόνου ενεργοποίησης).

Δήλωση συμμόρφωσης ΕΚ

Μόνο για χώρες της Ευρώπης

Η δήλωση συμμόρφωσης ΕΚ περιλαμβάνεται ως Παράρτημα Α στο παρόν εγχειρίδιο οδηγιών.

ΠΡΟΕΙΔΟΠΟΙΗΣΕΙΣ ΑΣΦΑΛΕΙΑΣ

Γενικές προειδοποιήσεις ασφαλείας για το ηλεκτρικό εργαλείο

▲ ΠΡΟΕΙΔΟΠΟΙΗΣΗ: Διαβάστε όλες τις προειδοποιήσεις ασφαλείας, οδηγίες, εικονογραφήσεις και προδιαγραφές που παρέχονται με αυτό το ηλεκτρικό εργαλείο. Η μη τήρηση όλων των οδηγιών που αναγράφονται κατωτέρω μπορεί να καταλήξει σε ηλεκτροπληξία, πυρκαγιά ή/και σοβαρό τραυματισμό.

Φυλάξτε όλες τις προειδοποιήσεις και τις οδηγίες για μελλοντική παραπομπή.

Στις προειδοποιήσεις, ο όρος «ηλεκτρικό εργαλείο» αναφέρεται σε ηλεκτρικό εργαλείο που τροφοδοτείται από την κύρια παροχή ηλεκτρικού ρεύματος (με ηλεκτρικό καλώδιο) ή σε ηλεκτρικό εργαλείο που τροφοδοτείται από μπαταρία (χωρίς ηλεκτρικό καλώδιο).

Προειδοποιήσεις ασφαλείας για φορητό τρυπάνι

Οδηγίες ασφαλείας για όλες τις εργασίες

1. **Να χρησιμοποιείτε τη(ίς) βοηθητική(ές) λαβή(ές).** Η απώλεια του ελέγχου μπορεί να προκαλέσει προσωπικό τραυματισμό.
2. **Να κρατάτε το ηλεκτρικό εργαλείο από τις μονωμένες επιφάνειες λαβής όταν εκτελείτε εργασίες κατά τις οποίες το εξάρτημα κοπής μπορεί να έρθει σε επαφή με κρυμμένα καλώδια.** Σε περίπτωση επαφής του εξαρτήματος κοπής με ηλεκτροφόρο καλώδιο, μπορεί τα εκτεθειμένα μεταλλικά εξαρτήματα του ηλεκτρικού εργαλείου να καταστούν τα ίδια ηλεκτροφόρα και να προκαλέσουν ηλεκτροπληξία στο χειριστή.
3. **Να βεβαιώνετε πάντοτε ότι στέκεστε σταθερά.** Όταν χρησιμοποιείτε το εργαλείο σε υψηλές τοποθεσίες, να βεβαιώνετε ότι δεν βρίσκεται κανένας από κάτω.
4. **Κρατήστε το εργαλείο σταθερά.**
5. **Μην πλησιάζετε τα χέρια σας σε περιστρεφόμενα μέρη.**
6. **Μην αφήνετε το εργαλείο σε λειτουργία.** Το εργαλείο πρέπει να βρίσκεται σε λειτουργία μόνο όταν το κρατάτε.
7. **Μην αγγίζετε τη μύτη τρυπανιού ή το τεμάχιο εργασίας αμέσως μετά τη λειτουργία του εργαλείου.** Μπορεί να είναι εξαιρετικά θερμά και να προκαλέσει έγκαυμα στο δέρμα σας.
8. **Μερικά υλικά περιέχουν χημικά που μπορεί να είναι τοξικά.** Προσέχετε ώστε να αποφεύγετε την εισπνοή σκόνης και την επαφή με το δέρμα. Ακολουθείτε τα δεδομένα ασφαλείας υλικού που παρέχονται από τον προμηθευτή.
9. **Αν η μύτη τρυπανιού δεν μπορεί να χαλαρώσει ακόμη κι αν ανοίξετε τις σιαγόνες, χρησιμοποιήστε τανάλια για να την τραβήξετε.** Σε αυτή την περίπτωση, αν τραβήξετε τη μύτη τρυπανιού με το χέρι σας, μπορεί να έχει ως αποτέλεσμα τραυματισμό από το κοφτερό άκρο της.
10. **Στην περίπτωση που παρουσιαστεί πρόβλημα με το εργαλείο, όπως μη φυσιολογικοί ήχοι, διακόψτε αμέσως τη λειτουργία και απευθυνθείτε στο τοπικό σας κέντρο εξυπηρέτησης Makita για επισκευή.**
11. **Πριν τη λειτουργία, βεβαιωθείτε ότι δεν υπάρχει κάποιο θαμμένο αντικείμενο όπως ηλεκτρικός σωλήνας, σωλήνας νερού ή σωλήνας αερίου στο έδαφος.** Διαφορετικά, το εργαλείο μπορεί να τα ακουμπήσει, προκαλώντας ηλεκτροπληξία, διαρροή ηλεκτρικού ρεύματος ή διαρροή αερίου.

Οδηγίες ασφαλείας όταν χρησιμοποιείτε μακρίες μύτες τρυπανιού

1. **Μην θέσετε σε λειτουργία σε υψηλότερη ταχύτητα από τη μέγιστη ονομαστική ταχύτητα της μύτης τρυπανιού.** Σε υψηλότερες ταχύτητες, η μύτη είναι πιθανό να λυγίσει να επιτραπεί να περιστραφεί ελεύθερα χωρίς να έρχεται σε επαφή με το τεμάχιο εργασίας, έχοντας ως αποτέλεσμα προσωπικό τραυματισμό.

2. Να αρχίζετε πάντα να τρυπανίζετε σε χαμηλή ταχύτητα και με τη μύτη τρυπανίσματος σε επαφή με το τεμάχιο εργασίας. Σε υψηλότερες ταχύτητες, η μύτη είναι πιθανό να λυγίσει αν επιτραπεί να περιστραφεί ελεύθερα χωρίς να έρχεται σε επαφή με το τεμάχιο εργασίας, έχοντας ως αποτέλεσμα προσωπικό τραυματισμό.
3. Να ασκείτε πίεση μόνο σε ευθεία γραμμή με τη μύτη και μην ασκείτε υπερβολική πίεση. Οι μύτες μπορούν να λυγίσουν προκαλώντας σπάσιμο ή απώλεια ελέγχου, έχοντας ως αποτέλεσμα προσωπικό τραυματισμό.
8. Μην καρφώσετε, κόψετε, συνθλίψετε, πετάξετε ή ρίξετε κάτω την κασέτα μπαταριών, ούτε να χτυπήσετε ένα σκληρό αντικείμενο επάνω στην κασέτα μπαταριών. Τέτοια συμπεριφορά μπορεί να έχει ως αποτέλεσμα πυρκαγιά, υπερθέρμανση ή έκρηξη.
9. Μη χρησιμοποιείτε μπαταρία που έχει υποστεί ζημία.
10. Οι μπαταρίες ιόντων λιθίου που περιέχονται υπόκεινται στις απαιτήσεις της νομοθεσίας για επικίνδυνα αγαθά.

ΦΥΛΑΞΕΤΕ ΑΥΤΕΣ ΤΙΣ ΟΔΗΓΙΕΣ.

▲ΠΡΟΕΙΔΟΠΟΙΗΣΗ: ΜΗΝ επιτρέψετε στην άνεση ή στην εξοικείωσή σας με το προϊόν (που αποκτήθηκε από εταναίλημμένη χρήση) να αντικαταστήσει την αυστηρή τήρηση των κανόνων ασφαλείας του παρόντος εργαλείου. Η ΛΑΝΘΑΣΜΕΝΗ ΧΡΗΣΗ ή η αμέλεια να ακολουθήσετε τους κανόνες ασφαλείας που διατυπώνονται στο παρόν εγχειρίδιο οδηγιών μπορεί να προκαλέσει σοβαρό προσωπικό τραυματισμό.

Σημαντικές οδηγίες ασφαλείας για κασέτα μπαταριών

1. Πριν χρησιμοποιήσετε την κασέτα μπαταριών, διαβάστε όλες τις οδηγίες και σημειώσεις προφύλαξης (1) στον φορτιστή μπαταριών, (2) στην μπαταρία και (3) στο προϊόν που χρησιμοποιεί την μπαταρία.
2. Μην αποσυαρμολογήσετε ή παραβιάσετε την κασέτα μπαταριών. Μπορεί να έχει ως αποτέλεσμα πυρκαγιά, υπερθέρμανση ή έκρηξη.
3. Εάν ο χρόνος λειτουργίας έχει γίνει υπερβολικά βραχύς, σταματήστε τη λειτουργία αμέσως. Αλλιώς, μπορεί να έχει ως αποτέλεσμα κίνδυνο υπερθέρμανσης, πιθανά εγκαύματα ή ακόμη και έκρηξη.
4. Εάν ηλεκτρολύτης μπει στα μάτια σας, ξεπλύνετέ τα με καθαρό νερό και ζητήστε ιατρική φροντίδα αμέσως. Αλλιώς, μπορεί να έχει ως αποτέλεσμα απώλεια της όρασης σας.
5. Μη βραχυκυκλώνετε την κασέτα μπαταριών:
 - (1) Μην αγγίζετε τους πόλους με οτιδήποτε αγώγιμο υλικό.
 - (2) Αποφεύγετε να αποθηκεύετε την κασέτα μπαταριών μέσα σε ένα δοχείο μαζί με άλλα μεταλλικά αντικείμενα όπως καρφιά, νομίσματα, κλπ.
 - (3) Μην εκθέτετε την κασέτα μπαταριών στο νερό ή στη βροχή.
 Ένα βραχυκύκλωμα μπαταρίας μπορεί να προκαλέσει μεγάλη ροή ρεύματος, υπερθέρμανση, πιθανά εγκαύματα ακόμη και σοβαρή βλάβη.
6. Μην αποθηκεύετε και μην χρησιμοποιείτε το εργαλείο και την κασέτα μπαταριών σε τοποθεσίες όπου η θερμοκρασία μπορεί να φτάσει ή να ξεπεράσει τους 50°C.
7. Μην καίτε την κασέτα μπαταριών ακόμη και εάν έχει σοβαρή ζημιά ή είναι εντελώς φθαρμένη. Η κασέτα μπαταριών μπορεί να εκραγεί στη φωτιά.
11. Όταν απορρίπτετε την κασέτα μπαταριών, αφαιρέστε την από το εργαλείο και διαθέστε την σε ένα ασφαλές μέρος. Τηρήστε τους τοπικούς κανονισμούς που σχετίζονται με τη διάθεση της μπαταρίας.
12. Χρησιμοποιήστε τις μπαταρίες μόνο με τα προϊόντα που καθορίζει η Makita. Αν τοποθετήσετε τις μπαταρίες σε μη συμβατά προϊόντα μπορεί να έχει ως αποτέλεσμα πυρκαγιά, υπερβολική θερμότητα, έκρηξη ή διαρροή ηλεκτρολύτη.
13. Αν δεν χρησιμοποιείτε το εργαλείο για μεγάλο χρονικό διάστημα, πρέπει να βγάλετε την μπαταρία από το εργαλείο.
14. Κατά τη διάρκεια και μετά τη χρήση, η κασέτα μπαταριών μπορεί να θερμανθεί, γεγονός που μπορεί να προκαλέσει εγκαύματα ή εγκαύματα από χαμηλή θερμοκρασία. Προσέχετε το χειρισμό των ζεστών κασετών μπαταριών.
15. Μην αγγίζετε τον ακροδέκτη του εργαλείου αμέσως μετά τη χρήση επειδή μπορεί να έχει ζεσταθεί αρκετά για να προκαλέσει εγκαύματα.
16. Μην αφήνετε θραύσματα, σκόνη ή βρομιά να κολλήσει στους ακροδέκτες, τις οπές και τις εγκοπές της κασέτας μπαταριών. Μπορεί να προκαλέσει θέρμανση, φωτιά, έκρηξη και δυσλειτουργία του εργαλείου ή της κασέτας μπαταριών, έχοντας ως αποτέλεσμα εγκαύματα ή προσωπικό τραυματισμό.
17. Εκτός αν το εργαλείο υποστηρίζει τη χρήση κοντά σε ηλεκτρικές γραμμές υψηλής τάσης, μην χρησιμοποιείτε την κασέτα μπαταριών κοντά σε ηλεκτρικές γραμμές υψηλής τάσης. Μπορεί να έχει ως αποτέλεσμα δυσλειτουργία ή σπάσιμο του εργαλείου ή της κασέτας μπαταριών.
18. ΚρΦυλάξτε την μπαταρία μακριά από παιδιά.

ΦΥΛΑΞΤΕ ΤΙΣ ΟΔΗΓΙΕΣ ΑΥΤΕΣ.

▲ΠΡΟΣΟΧΗ: Να χρησιμοποιείτε μόνο γνήσιες μπαταρίες της Makita. Η χρήση μη γνήσιων μπαταριών Makita, ή μπαταριών που έχουν τροποποιηθεί, μπορεί να έχει ως αποτέλεσμα τη ρήξη της μπαταρίας, προκαλώντας πυρκαγιά, προσωπικό τραυματισμό και βλάβη. Επίσης, θα ακυρωθεί η εγγύηση της Makita για το εργαλείο και φορτιστή Makita.

Συμβουλές για τη διατήρηση της μέγιστης ζωής μπαταρίας

1. Φορτίζετε την κασέτα μπαταριών πριν από την πλήρη αποφόρτιση της. Πάντοτε να σταματάτε τη λειτουργία του εργαλείου και να φορτίζετε την κασέτα μπαταριών όταν παρατηρείτε μειωμένη ισχύ εργαλείου.
2. Ποτέ μην επαναφορτίζετε μια πλήρως φορτισμένη κασέτα μπαταριών. Η υπερφόρτιση μειώνει την ωφέλιμη ζωή της μπαταρίας.
3. Να φορτίζετε την κασέτα μπαταριών σε θερμοκρασία δωματίου, δηλαδή στους 10 °C έως 40 °C. Αφήστε μια θερμή κασέτα μπαταριών να κρυώσει πριν την φορτίσετε.
4. Όταν δεν χρησιμοποιείτε την κασέτα μπαταριών, αφαιρέστε την από το εργαλείο ή τον φορτιστή.
5. Να φορτίζετε την κασέτα μπαταριών εάν δεν τη χρησιμοποιείτε για μεγάλη χρονική περίοδο (περισσότερο από έξι μήνες).

ΠΕΡΙΓΡΑΦΗ ΛΕΙΤΟΥΡΓΙΑΣ

▲ΠΡΟΣΟΧΗ: Να φροντίζετε πάντα για την απενεργοποίηση του εργαλείου και την αφαίρεση της κασέτας μπαταρίας, πριν από οποιαδήποτε ρύθμιση ή έλεγχο της λειτουργίας του.

Τοποθέτηση ή αφαίρεση της κασέτας μπαταριών

▲ΠΡΟΣΟΧΗ: Να σβήνετε πάντα το εργαλείο πριν τοποθετήσετε ή αφαιρέσετε την κασέτα μπαταριών.

▲ΠΡΟΣΟΧΗ: Κρατήστε το εργαλείο και την κασέτα μπαταριών σταθερά κατά την τοποθέτηση ή αφαίρεση της κασέτας μπαταριών. Εάν δεν κρατάτε το εργαλείο και την κασέτα μπαταριών σταθερά μπορεί να γλιστρήσουν από τα χέρια σας και να προκαληθεί βλάβη στο εργαλείο και την κασέτα μπαταριών και προσωπικός τραυματισμός.

► **Εικ.1:** 1. Κόκκινος δείκτης 2. Κουμπί 3. Κασέτα μπαταριών

Για να αφαιρέσετε την κασέτα μπαταριών, ολισθήστε την από το εργαλείο ενώ σύρετε το κουμπί στο μπροστινό μέρος της κασέτας.

Για να τοποθετήσετε την κασέτα μπαταριών, ευθυγραμμίστε τη γλώσσα στην κασέτα μπαταριών με την εγκοπή στο περίβλημα και ολισθήστε τη στη θέση της. Τοποθετήστε την μέχρι τέρμα μέχρι να ασφαλίσει στη θέση της, γεγονός που υποδεικνύεται με ένα χαρακτηριστικό ήχο. Αν μπορείτε να δείτε τον κόκκινο δείκτη όπως απεικονίζεται στην εικόνα, δεν έχει κλειδωθεί τελείως.

▲ΠΡΟΣΟΧΗ: Να τοποθετείτε πάντα την κασέτα μπαταριών πλήρως μέχρι να μη βλέπετε τον κόκκινο δείκτη. Εάν δεν ασφαλιστεί, μπορεί να πέσει από το εργαλείο τυχαία, προκαλώντας σωματική βλάβη σε εσάς ή κάποιον άλλο γύρω σας.

▲ΠΡΟΣΟΧΗ: Μην τοποθετείτε την κασέτα μπαταριών με βία. Εάν η κασέτα δεν ολισθαίνει με ευκολία, τότε δεν έχει τοποθετηθεί κατάλληλα.

Εμφάνιση υπολειπόμενης χωρητικότητας μπαταρίας

Μόνο για κασέτες μπαταρίας με την ενδεικτική λυχνία

► **Εικ.2:** 1. Ενδεικτικές λυχνίες 2. Κουμπί ελέγχου

Πιέστε το κουμπί ελέγχου στην κασέτα μπαταριών για να υποδείξετε την υπολειπόμενη χωρητικότητα μπαταρίας. Οι ενδεικτικές λυχνίες ανάβουν για λίγα δευτερόλεπτα.

Ενδεικτικές λυχνίες			Υπολειπόμενη χωρητικότητα
Αναμμένες	Σβηστές	Αναβοσβήνουν	
■ ■ ■ ■			75% έως 100%
■ ■ ■ □			50% έως 75%
■ ■ □ □			25% έως 50%
■ □ □ □			0% έως 25%
▲ □ □ □			Φορτίστε την μπαταρία.
■ ■ □ □			Μπορεί να προέκυψε δυσλειτουργία στην μπαταρία.
□ □ ■ ■		↑ ↓	

ΠΑΡΑΤΗΡΗΣΗ: Ανάλογα με τις συνθήκες χρήσης και τη θερμοκρασία περιβάλλοντος, η ένδειξη μπορεί να διαφέρει λίγο από την πραγματική χωρητικότητα.

ΠΑΡΑΤΗΡΗΣΗ: Η πρώτη (τέρμα αριστερά) ενδεικτική λυχνία θα αναβοσβήνει όταν λειτουργεί το σύστημα προστασίας μπαταρίας.

Σύστημα προστασίας εργαλείου/ μπαταρίας

Το εργαλείο είναι εξοπλισμένο με σύστημα προστασίας εργαλείου/μπαταρίας. Αυτό το σύστημα αποκόπτει αυτόματα την ισχύ προς το μοτέρ για να παραταθεί η διάρκεια λειτουργίας του εργαλείου και της μπαταρίας. Το εργαλείο σταματάει αυτόματα κατά τη διάρκεια της λειτουργίας εάν το εργαλείο ή η μπαταρία βρεθούν κάτω από τις παρακάτω συνθήκες:

Προστασία υπερφόρτωσης

Όταν το εργαλείο/μπαταρία λειτουργεί με τρόπο που προκαλεί την κατανάλωση ενός ασυνήθιστα υψηλού ηλεκτρικού ρεύματος, το εργαλείο σταματάει αυτόματα. Σε αυτή την κατάσταση, σβήστε το εργαλείο και διακόψτε την εφαρμογή που προκαλεί την υπερφόρτωση του εργαλείου. Μετά, ενεργοποιήστε το εργαλείο για επανεκκίνηση.

Προστασία υπερθέρμανσης

Όταν το εργαλείο/μπαταρία υπερθερμανθεί, η λειτουργία του εργαλείου σταματάει αυτόματα και η λυχνία αναβοσβήνει. Σε αυτή την κατάσταση, αφήστε το εργαλείο να ψυχθεί πριν ενεργοποιηθεί ξανά το εργαλείο.

Προστασία υπερβολικής αποφόρτισης

Όταν η φόρτιση μπαταρίας δεν είναι αρκετή, το εργαλείο σταματάει αυτόματα. Σε αυτή την περίπτωση, βγάλτε την μπαταρία από το εργαλείο και φορτίστε την μπαταρία.

Δράση διακόπτη

▲ ΠΡΟΣΟΧΗ: Πριν βάλετε την κασέτα μπαταρίας μέσα στο εργαλείο, να ελέγχετε πάντα να δείτε αν η σκανδάλη διακόπτης ενεργοποιείται κανονικά και επιστρέφει στη θέση «OFF» όταν ελευθερώνεται.

► **Εικ.3:** 1. Σκανδάλη διακόπτης

Για να ξεκινήσετε το εργαλείο, τραβήξτε τη σκανδάλη διακόπτη. Η ταχύτητα του εργαλείου αυξάνεται αν αυξήσετε την πίεση στη σκανδάλη διακόπτη. Για διακοπή της λειτουργίας, αφήστε τη σκανδάλη διακόπτη.

ΠΑΡΑΤΗΡΗΣΗ: Το εργαλείο σταματά αυτόματα αν συνεχίσετε να τραβάτε τη σκανδάλη διακόπτη για περίπου 6 λεπτά.

Αναμμα της μπροστινής λάμπας

▲ ΠΡΟΣΟΧΗ: Μην κοιτάζετε κατευθείαν μέσα στο φως ή στην πηγή φωτός.

► **Εικ.4:** 1. Λάμπα

Τραβήξτε τη σκανδάλη διακόπτη για να ενεργοποιηθεί η λάμπα. Η λάμπα εξακολουθεί να είναι αναμμένη όσο τραβάτε τη σκανδάλη διακόπτη. Η λάμπα σβήνει περίπου 10 δευτερόλεπτα αφού αφήσετε τη σκανδάλη διακόπτη.

ΠΑΡΑΤΗΡΗΣΗ: Όταν το εργαλείο υπερθερμανθεί, η λειτουργία του εργαλείου σταματάει αυτόματα και η λυχνία αρχίζει να αναβοσβήνει. Σε αυτή την περίπτωση, αφήστε τη σκανδάλη διακόπτη. Η λυχνία σβήνει σε 1 λεπτό(α).

ΠΑΡΑΤΗΡΗΣΗ: Χρησιμοποιήστε ένα στεγνό πανί για να σκουπίσετε τη σκόνη από το φακό της λάμπας. Προσέχετε να μη γρατζουνίσετε το φακό της λάμπας, επειδή μπορεί να μειωθεί η ένταση του φωτισμού.

Δράση διακόπτη αντιστροφής

▲ ΠΡΟΣΟΧΗ: Να ελέγχετε πάντα τη διεύθυνση περιστροφής πριν από τη λειτουργία.

▲ ΠΡΟΣΟΧΗ: Να χρησιμοποιείτε τον διακόπτη αντιστροφής μόνο αφού το εργαλείο σταματήσει εντελώς. Η αλλαγή της διεύθυνσης περιστροφής πριν σταματήσει το εργαλείο μπορεί να προκαλέσει ζημιά στο εργαλείο.

▲ ΠΡΟΣΟΧΗ: Όταν δεν χρησιμοποιείτε το εργαλείο, να βάζετε πάντα το μοχλό διακόπτη αντιστροφής στην ουδέτερη θέση.

Αυτό το εργαλείο διαθέτει έναν διακόπτη αντιστροφής για να αλλάξετε τη διεύθυνση περιστροφής. Πίεστε το μοχλό διακόπτη αντιστροφής από την πλευρά Α για δεξιόστροφη περιστροφή ή από την πλευρά Β για αριστερόστροφη περιστροφή. Όταν ο μοχλός διακόπτης αντιστροφής είναι στην ουδέτερη θέση, ο μοχλός διακόπτης δεν μπορεί να τραβηχθεί.

► **Εικ.5:** 1. Μοχλός διακόπτης αντιστροφής

Αλλαγή ταχύτητας

ΕΙΔΟΠΟΙΗΣΗ: Χρησιμοποιείτε τη λαβή αλλαγής ταχύτητας μόνο αφού το εργαλείο σταματήσει εντελώς. Η αλλαγή της ταχύτητας του εργαλείου πριν το εργαλείο σταματήσει μπορεί να προκαλέσει ζημιά στο εργαλείο.

ΕΙΔΟΠΟΙΗΣΗ: Να ρυθμίζετε πάντα τη λαβή αλλαγής ταχύτητας προσεκτικά στη σωστή θέση. Αν χειρίζεστε το εργαλείο όταν η λαβή αλλαγής ταχύτητας βρίσκεται στα μισά μεταξύ της θέσης 1 και της θέσης 2, μπορεί να προκληθεί ζημιά στο εργαλείο.

ΕΙΔΟΠΟΙΗΣΗ: Αν η ταχύτητα περιστροφής μειωθεί σημαντικά κατά τη διάρκεια της λειτουργίας σε τρόπο λειτουργίας υψηλής ταχύτητας, διακόψτε το εργαλείο και αλλάξτε τον τρόπο λειτουργίας σε τρόπο λειτουργίας χαμηλής ταχύτητας. Διαφορετικά, το μοτέρ μπορεί να υπερθερμανθεί και να προκληθεί δυσλειτουργία ή φωτιά.

Η προεπιλογή των δύο ευρών ταχυτήτων είναι εφικτή μέσω της λαβής αλλαγής ταχύτητας. Για να αλλάξετε την ταχύτητα, γυρίστε τη λαβή αλλαγής ταχύτητας με τρόπο ώστε ο δείκτης να είναι στραμμένος στη θέση 1 για λειτουργία χαμηλής ταχύτητας ή στη θέση 2 για λειτουργία υψηλής ταχύτητας.

► **Εικ.6:** 1. Δείκτης 2. Λαβή αλλαγής ταχύτητας

Ηλεκτρονική λειτουργία

Ηλεκτρικό φρένο

Το εργαλείο αυτό είναι εξοπλισμένο με ηλεκτρικό φρένο. Αν το εργαλείο αποτυγχάνει συνεχώς να διακόπτει γρήγορα τη λειτουργία αφού αφήνετε τη σκανδάλη διακόπτη, ζητήστε την επισκευή του εργαλείου από κέντρο εξυπηρέτησης της Makita.

Δυνατότητα ομαλής έναρξης

Αυτή η λειτουργία επιτρέπει την ομαλή έναρξη του εργαλείου αφού περιορίζεται η ροπή εκκίνησης.

ΣΥΝΑΡΜΟΛΟΓΗΣΗ

⚠ ΠΡΟΣΟΧΗ: Να βεβαιώνετε πάντα ότι το εργαλείο είναι σβηστό και η κασέτα μπαταρίας έχει αφαιρεθεί πριν εκτελέσετε κάποια εργασία στο εργαλείο.

Τοποθέτηση πλάγιας λαβής (βοηθητική λαβή)

⚠ ΠΡΟΣΟΧΗ: Πριν από τη λειτουργία, να βεβαιώνετε πάντα ότι η πλάγια λαβή έχει τοποθετηθεί με ασφάλεια.

Βιδώστε με ασφάλεια την πλάγια λαβή στο εργαλείο. Μπορείτε να τοποθετήσετε την πλάγια λαβή σε οποιαδήποτε πλευρά του εργαλείου, δηλαδή την πλευρά που σας βολεύει.

► **Εικ.7:** 1. Πλάγια λαβή

Τοποθέτηση υποδοχέα κλειδιού

(Ειδικό της χώρας)

⚠ ΠΡΟΣΟΧΗ: Πριν από τη λειτουργία, να βεβαιώνετε πάντα ότι ο υποδοχέας κλειδιού έχει τοποθετηθεί με ασφάλεια.

Βιδώστε με ασφάλεια τον υποδοχέα κλειδιού στο εργαλείο. Μετά, τοποθετήστε το κλειδί σφικτήρα στη θέση του.

► **Εικ.8:** 1. Υποδοχέας κλειδιού 2. Βίδα 3. Κλειδί σφικτήρα

Τοποθέτηση ή αφαίρεση μύτης τρυπανιού

Για το μοντέλο DDA450

Για να τοποθετήσετε μια μύτη τρυπανιού, τοποθετήστε τη στον σφικτήρα όσο περισσότερο γίνεται. Σφίξτε τον σφικτήρα με το χέρι. Τοποθετήστε το κλειδί σφικτήρα σε κάθε μία από τις τρεις οπές και σφίξτε δεξιόστροφα. Βεβαιωθείτε να σφίξτε ομοίμορφα και τις τρεις οπές του σφικτήρα.

Για να βγάλετε τη μύτη τρυπανιού, περιστρέψτε αριστερόστροφα το κλειδί σφικτήρα σε μία μόνο οπή και κατόπιν ξεσφίξτε το σφικτήρα με το χέρι.

► **Εικ.9:** 1. Κλειδί σφικτήρα

Μετά τη χρήση, επιστρέψτε το κλειδί σφικτήρα στον υποδοχέα κλειδιού στο εργαλείο, όπως απεικονίζεται.

► **Εικ.10:** 1. Υποδοχέας κλειδιού

Για το μοντέλο DDA451

Να χρησιμοποιείτε μόνο τη μύτη τρυπανιού που έχει σχεδιαστεί με τις διαστάσεις που απεικονίζονται στην εικόνα.

A=11,2 mm (7/16")

► **Εικ.11**

Για να τοποθετήσετε τη μύτη τρυπανιού, τραβήξτε το χιτώνιο προς την κατεύθυνση του βέλους και εισαγάγετε τη μύτη τρυπανιού στο χιτώνιο μέχρι τέρμα.

Μετά, απελευθερώστε το χιτώνιο για να ασφαλίσετε τη μύτη τρυπανιού.

Για να βγάλετε τη μύτη τρυπανιού, τραβήξτε το χιτώνιο προς την κατεύθυνση του βέλους και τραβήξτε τη μύτη προς τα έξω.

► **Εικ.12:** 1. Μύτη τρυπανιού 2. Τσοκ

ΠΑΡΑΤΗΡΗΣΗ: Αν η μύτη τρυπανιού δεν έχει εισαχθεί αρκετά βαθιά μέσα στο χιτώνιο, το χιτώνιο δεν θα επιστρέψει στην αρχική του θέση και η μύτη τρυπανιού δεν θα ασφαλιστεί. Στην περίπτωση αυτή, προσπαθήστε να επανεισαγάγετε τη μύτη τρυπανιού σύμφωνα με τις παραπάνω οδηγίες.

ΠΑΡΑΤΗΡΗΣΗ: Αφού βάλετε τη μύτη τρυπανιού, βεβαιωθείτε ότι είναι σταθερά ασφαλισμένη. Αν όμως βγει έξω, μην την χρησιμοποιήσετε.

Γάντζος

⚠ ΠΡΟΣΟΧΗ: Να αφαιρείτε πάντα την μπαταρία όταν κρεμάτε το εργαλείο με το γάντζο.

⚠ ΠΡΟΣΟΧΗ: Ποτέ μην κρεμάτε το εργαλείο σε υψηλές τοποθεσίες ή σε δυνητικά ασταθείς επιφάνειες.

Ο γάντζος είναι βολικός για το προσωρινό κρέμασμα του εργαλείου.

Για να χρησιμοποιήσετε το γάντζο, απλώστε σιχώστε τον έως ότου ασφαλίσει στην ανοιχτή θέση. Όταν δεν χρησιμοποιείτε το γάντζο, πάντα να τον χαμηλώνετε έως ότου ασφαλίσει στην κλειστή θέση.

► **Εικ.13:** 1. Γάντζος

► **Εικ.14**

Σύνδεση αναδέτη (ιμάντας πρόσδεσης) στον γάντζο

⚠ ΠΡΟΣΟΧΗ: Μην χρησιμοποιείτε γάντζο και βίδες αν έχουν υποστεί ζημιά. Πριν από τη χρήση, να ελέγχετε πάντα για ζημιές, ρωγμές ή παραμορφώσεις, και να βεβαιώνετε ότι οι βίδες είναι σφιγμένες.

⚠ ΠΡΟΣΟΧΗ: Βεβαιωθείτε ότι ο γάντζος έχει τοποθετηθεί καλά με τις βίδες.

⚠ ΠΡΟΣΟΧΗ: Μην τοποθετείτε ή αφαιρείτε οποιοδήποτε εξάρτημα ενώ το εργαλείο είναι κρεμασμένο. Το εργαλείο μπορεί να πέσει αν οι βίδες δεν είναι σφιγμένες.

⚠ ΠΡΟΣΟΧΗ: Να χρησιμοποιείτε πάντα καραμπίνερ ασφάλισης (τύπου πολλών δράσεων και βιδωτού κλεισίματος) και να φροντίστε να προσδέσετε τον αναδέτη (ιμάντα πρόσδεσης) στο τμήμα διπλού βρόχου του γάντζου. Η λανθασμένη προσάρτηση μπορεί να προκαλέσει την πτώση του εργαλείου από τον γάντζο και να έχει ως αποτέλεσμα προσωπικό τραυματισμό.

Ο γάντζος επίσης χρησιμοποιείται για τη σύνδεση του αναδέτη (ιμάντα πρόσδεσης). Φροντίστε να προσδέσετε τον αναδέτη (ιμάντα πρόσδεσης) στο τμήμα διπλού βρόχου του γάντζου.

► **Εικ.15:** 1. Τμήμα διπλού βρόχου του γάντζου
2. Αναδέτης (ιμάντας πρόσδεσης)
3. Καραμπίνερ ασφάλισης (τύπου πολλών δράσεων και βιδωτού κλεισίματος)

ΛΕΙΤΟΥΡΓΙΑ

▲ΠΡΟΣΟΧΗ: Πάντα να εισαγάγετε την κασέτα μπαταριών έως το τέρμα, μέχρι να ασφαλίσει στη θέση της. Αν μπορείτε να δείτε την κόκκινη ένδειξη στην επάνω πλευρά του κουμπιού, δεν έχει κλειδωθεί τελείως. Εισαγάγετέ την πλήρως έτσι ώστε να μην φαίνεται η κόκκινη ένδειξη. Σε αντίθετη περίπτωση, μπορεί να πέσει κατά λάθος από το εργαλείο και να τραυματίσει εσάς ή κάποιον παρευρισκόμενο.

▲ΠΡΟΣΟΧΗ: Όταν το εργαλείο λειτουργεί πολύ δυνατά, μειώστε το φορτίο ή σταματήστε τη λειτουργία του εργαλείου για να αποφύγετε την πρόκληση ζημιάς στο εργαλείο.

▲ΠΡΟΣΟΧΗ: Κρατήστε το εργαλείο σταθερά κατά το χειρισμό του εργαλείου.

Κράτημα εργαλείου

▲ΠΡΟΣΟΧΗ: Πρόκειται για ένα ισχυρό εργαλείο. Αναπτύσσεται υψηλή ροπή και είναι σημαντικό να κρατάτε και να στηρίζετε το εργαλείο με ασφάλεια.

Πιάστε τη λαβή με το ένα χέρι και την μπροστινή λαβή με το άλλο χέρι.

► **Εικ.16:** 1. Μπροστινή λαβή 2. Λαβή

Λειτουργία τρυπανιού

Τρυπάνισμα ξύλου

Όταν τρυπανίζετε σε ξύλο, έχετε καλύτερα αποτελέσματα με μύτες για ξύλο εξοπλισμένες με βίδα οδήγησης. Η βίδα οδήγησης κάνει το τρυπάνισμα ευκολότερο επειδή τραβάει τη μύτη τρυπανιού μέσα στο τεμάχιο εργασίας.

Τρυπάνισμα σε μέταλλο

Για να μην ολισθήσει μια μύτη τρυπανιού όταν ξεκινάτε τη δημιουργία μιας οπής, κάντε ένα κοίλωμα με πόντα και σφυρί στο σημείο όπου θα τρυπανίσετε. Τοποθετήστε τη μύτη τρυπανιού στο κοίλωμα και ξεκινήστε το τρυπάνισμα.

Όταν τρυπανίζετε μέταλλα, χρησιμοποιήστε λιπαντικό κοπής. Εξαίρεση αποτελούν το σίδερο και ο χάλυβας τα οποία θα πρέπει να τρυπανίζετε στεγνά.

▲ΠΡΟΣΟΧΗ: Η υπερβολική πίεση στο εργαλείο δεν επιταχύνει τη διάτρηση. Στην πραγματικότητα, αυτή η υπερβολική πίεση προκαλεί ζημία στο άκρο της μύτες τρυπανιού, μείωση της απόδοσης όπως και της διάρκειας ζωής του εργαλείου.

▲ΠΡΟΣΟΧΗ: Κρατήστε σταθερά το εργαλείο και προσέχετε ιδιαίτερα τη στιγμή που η μύτη τρυπανιού διέρχεται από το άλλο άκρο της οπής. Ασκείται τεράστια δύναμη στο εργαλείο/μύτη τρυπανιού τη στιγμή που διαπερνάει η οπή.

▲ΠΡΟΣΟΧΗ: Μπορείτε να αφαιρέσετε μια μπλοκαρισμένη μύτη τρυπανιού με απλή ρύθμιση του διακόπτη αντιστροφής στη θέση αντιστροφής περυστροφής, ώστε η μύτη να οπισθοχωρήσει. Ωστόσο, το εργαλείο μπορεί να οπισθοχωρήσει έξω από την οπή απότομα, αν δεν το κρατάτε σταθερά.

▲ΠΡΟΣΟΧΗ: Να ασφαρίζετε πάντα τα τεμάχια εργασίας σε μέγερνη ή παρόμοια διάταξη συγκράτησης.

▲ΠΡΟΣΟΧΗ: Αποφεύγετε το τρυπάνισμα σε υλικά που υποπεύεστε ότι περιέχουν κρυφά καρφιά ή άλλα αντικείμενα που μπορεί να προκαλέσουν την εμπλοκή ή τη θραύση της μύτες τρυπανιού.

▲ΠΡΟΣΟΧΗ: Αν το εργαλείο λειτουργεί συνεχόμενα έως ότου αποφορτιστεί η κασέτα μπαταριών, αφήστε το εργαλείο σβηστό για 15 λεπτά πριν συνεχίσετε την εργασία με ανανεωμένη μπαταρία.

Σύνδεση αναδέτη (ιμάντας πρόσδεσης)

▲Προειδοποιήσεις ασφαλείας ειδικά για χρήση από ύψος

Διαβάστε όλες τις προειδοποιήσεις για την ασφάλεια και τις οδηγίες. Η μη τήρηση των προειδοποιήσεων και οδηγιών μπορεί να έχει ως αποτέλεσμα σοβαρό τραυματισμό.

1. Να διατηρείτε πάντα το εργαλείο προσδεμένο όταν εργάζεστε από ύψος. Το μέγιστο μήκος αναδέτη είναι 2 m. Το μέγιστο επιτρεπτό ύψος πτώσης για τον αναδέτη (ιμάντα πρόσδεσης) δεν πρέπει να ξεπερνάει τα 2 m.
2. Να χρησιμοποιείτε μόνο με αναδέτες κατάλληλους για αυτόν τον τύπο εργαλείου και με ονομαστική τιμή τουλάχιστον 5,0 kg (11,0 lbs).
3. Μην αγκυρώνετε τον αναδέτη εργαλείου σε οτιδήποτε υπάρχει επάνω στο σώμα σας ή σε κινητά εξαρτήματα. Να αγκυρώνετε τον αναδέτη εργαλείου σε μια άκαμπτη δομή που μπορεί να αντέχει στις δυνάμεις που ασκεί ένα εργαλείο που πέφτει.
4. Βεβαιωθείτε ότι ο αναδέτης είναι σωστά ασφαλισμένος σε κάθε άκρο πριν από τη χρήση.
5. Επιθεωρήστε το εργαλείο και τον αναδέτη πριν από κάθε χρήση για ζημιά και σωστή λειτουργία (συμπεριλαμβανομένου του υφάσματος και των ραφών). Μην χρησιμοποιείτε αν υπάρχει ζημιά ή δεν λειτουργεί σωστά.

6. Μην περιτυλίγετε τους αναδέτες και μην τους αφήνετε να έρθουν σε επαφή με αιχμηρά ή σκληρά άκρα.
7. Συνδέστε το άλλο άκρο του αναδέτη σε ένα σημείο έξω από το χώρο εργασίας ώστε το εργαλείο να συγκρατηθεί με ασφάλεια στην περίπτωση που πέσει.
8. Προσδέστε τον αναδέτη με τρόπο ώστε το εργαλείο να απομακρυνθεί από τον χειριστή σε περίπτωση που πέσει. Τα εργαλεία που πέφτουν αιωρούνται στον αναδέτη, γεγονός που μπορεί να προκαλέσει τραυματισμό και απώλεια ισορροπίας.
9. Μην χρησιμοποιείτε κοντά σε κινούμενα μέρη ή σε μηχανήματα που βρίσκονται σε λειτουργία. Η μη τήρηση αυτού μπορεί να έχει ως αποτέλεσμα κίνδυνο σύνθλιψης ή εμπλοκής.
10. Μην μεταφέρετε το εργαλείο από τη διάταξη σύνδεσης ή τον αναδέτη.
11. Να μεταφέρετε το εργαλείο μεταξύ των χεριών σας μόνο ενώ είστε καλά ισορροπημένοι.
12. Μην συνδέετε αναδέτες στο εργαλείο με τρόπο που εμποδίζει τη σωστή λειτουργία των προστατευτικών, διακοπών ή απασφαλίσεων.
13. Αποφεύγετε την εμπλοκή με τον αναδέτη.
14. Κρατήστε τον αναδέτη μακριά από την περιοχή κοπής του εργαλείου.
15. Να χρησιμοποιείτε καραμπινέρ τύπου πολλών δράσεων και καραμπινέρ βιδωτού κλεισίματος. Μην χρησιμοποιείτε καραμπινέρ με ελατηριωτά κλιπ μίας δράσης.
16. Στην περίπτωση που το εργαλείο πέσει, πρέπει να επισημανθεί και να μην χρησιμοποιηθεί ξανά, και να επιθεωρηθεί από εργοστάσιο ή εξουσιοδοτημένο κέντρο σέρβις της Makita.

ΣΥΝΤΗΡΗΣΗ

ΠΡΟΣΟΧΗ: Πριν την εκτέλεση εργασιών επιθεώρησης ή συντήρησης, πάντοτε να βεβαιώνετε ότι η συσκευή απενεργοποιήθηκε και η κασέτα μπαταριών έχει αφαιρεθεί.

ΕΙΔΟΠΟΙΗΣΗ: Μην χρησιμοποιείτε ποτέ βενζίνη, πετρελαϊκό αιθέρα, διαλυτικό, αλκοόλη ή παρόμοιες ουσίες. Μπορεί να προκληθεί αποχρωματισμός, παραμόρφωση ή ρωγμές.

Για τη διατήρηση της ΑΣΦΑΛΕΙΑΣ και ΑΞΙΟΠΙΣΤΙΑΣ του προϊόντος, οι επισκευές και οποιαδήποτε άλλη εργασία συντήρησης ή ρύθμισης πρέπει να εκτελούνται από εξουσιοδοτημένα ή εργοστασιακά κέντρα εξυπηρέτησης της Makita, χρησιμοποιώντας πάντοτε ανταλλακτικά της Makita.

ΠΡΟΑΙΡΕΤΙΚΑ ΕΞΑΡΤΗΜΑΤΑ

ΠΡΟΣΟΧΗ: Αυτά τα εξαρτήματα ή προσαρτήματα συνιστώνται για χρήση με το εργαλείο Makita που περιγράφηκε στις οδηγίες αυτές. Η χρήση οποιωνδήποτε άλλων εξαρτημάτων ή προσαρτημάτων μπορεί να προκαλέσει κίνδυνο τραυματισμού σε άτομα. Να χρησιμοποιείτε τα εξαρτήματα ή προσαρτήματα μόνο για την χρήση που προορίζονται.

Εάν χρειάζεστε οποιαδήποτε βοήθεια για περισσότερες πληροφορίες σε σχέση με αυτά τα εξαρτήματα, αποτανθείτε στο τοπικό σας κέντρο εξυπηρέτησης Makita.

- Μύτες τρυπανιού
- Γνήσια μπαταρία και φορτιστής της Makita

ΠΑΡΑΤΗΡΗΣΗ: Μερικά στοιχεία στη λίστα μπορεί να συμπεριλαμβάνονται στη συσκευασία εργαλείου ως στάνταρ εξαρτήματα. Μπορεί να διαφέρουν ανάλογα με τη χώρα.

TEKNİK ÖZELLİKLER

Model:		DDA450		DDA451	
Devir hızı		Yüksek	Düşük	Yüksek	Düşük
Delme kapasiteleri	Çelik	13 mm			
	Tahta	Burgu ucu: 38 mm Kendinden beslemeli uç: 50 mm Paç: 101 mm	Burgu ucu: 38 mm Kendinden beslemeli uç: 65 mm Paç: 127 mm	Burgu ucu: 38 mm Kendinden beslemeli uç: 50 mm Paç: 101 mm	Burgu ucu: 38 mm Kendinden beslemeli uç: 65 mm Paç: 127 mm
Yüksüz hız		0 - 1.400 min ⁻¹	0 - 450 min ⁻¹	0 - 1.400 min ⁻¹	0 - 450 min ⁻¹
Toplam uzunluk (Batarya kartuşu BL1860B ile)		434 mm			
Anma voltajı		D.C. 18 V			
Net ağırlık		3,2 - 3,5 kg		3,0 - 3,3 kg	

- Sürekli yapılan araştırma ve geliştirmelerden dolayı, burada belirtilen özellikler önceden bildirilmeksizin değiştirilebilir.
- Özellikler ülkeden ülkeye değişebilir.
- Ağırlık, ekli aksesuara/aksesuarlara ve batarya kartuşuna bağlı olarak farklılık gösterebilir. EPTA-Prosedürü 01/2014'e göre en hafif ve en ağır kombinasyonlar tabloda verilmiştir.

Geçerli batarya kartuşu ve şarj aleti

Batarya kartuşu	BL1815N / BL1820B / BL1830B / BL1840B / BL1850B / BL1860B
Şarj aleti	DC18RC / DC18RD / DC18RE / DC18SD / DC18SE / DC18SF / DC18SH / DC18WC

- Yukarıda listelenen batarya kartuşlarının ve şarj aletlerinin bazıları yaşadığınız bölgeye bağlı olarak mevcut olmayabilir.

UYARI: Sadece yukarıda listelenen batarya kartuşlarını ve şarj aletlerini kullanın. Başka batarya kartuşlarının ve şarj aletlerinin kullanılması yaralanma ve/veya yangına neden olabilir.

Kullanım amacı

Bu alet tahta, metal ve plastik malzemede delik açmak için tasarlanmıştır.

Gürültü

Tipik A-ağırlıklı gürültü düzeyi (EN62841-2-1 standardına göre belirlenen):
Ses basınç seviyesi (L_{pA}): 83 dB (A)
Ses gücü düzeyi (L_{WA}): 94 dB (A)
Belirsizlik (K): 3 dB (A)

NOT: Beyan edilen gürültü emisyonu değer(ler)i bir standart test yöntemine uygun şekilde ölçülmüştür ve bir aleti bir başkasıyla karşılaştırmak için kullanılabilir.

NOT: Beyan edilen gürültü emisyonu değer(ler)i bir ön maruz kalma değerlendirmesi olarak da kullanılabilir.

UYARI: Kulak koruyucuları takın.

UYARI: Elektrikli aletin gerçek kullanım sırasındaki gürültü emisyonu, aletin kullanım biçimlerine, özellikle işlenen iş parçasının türüne bağlı olarak beyan edilen değer(ler)den farklı olabilir.

UYARI: Gerçek kullanım koşullarındaki tahmini maruziyeti baz alan, operatörü koruyacak güvenlik önlemlerini mutlaka belirleyin (çalışma döngüsü içerisinde aletin kapalı olduğu ve aktif durumda olmasının yanı sıra boşta çalıştığı zamanlar gibi, bütün zaman dilimleri göz önünde bulundurarak).

Titreşim

Titreşim toplam değeri (üç eksenli vektör toplamı) (EN62841-2-1 standardına göre hesaplanan):
Çalışma modu: metal delme
Titreşim emisyonu (a_{h,D}): 2,5 m/s²den az
Belirsizlik (K): 1,5 m/s²

NOT: Beyan edilen titreşim toplam değer(ler)i bir standart test yöntemine uygun şekilde ölçülmüştür ve bir aleti bir başkasıyla karşılaştırmak için kullanılabilir.

NOT: Beyan edilen titreşim toplam değer(ler)i bir ön maruz kalma değerlendirmesi olarak da kullanılabilir.

⚠UYARI: Elektrikli aletin gerçek kullanımı sırasındaki titreşim emisyonu, aletin kullanım biçimlerine, özellikle işlenen iş parçasının türüne bağlı olarak beyan edilen değer(ler)den farklı olabilir.

⚠UYARI: Gerçek kullanım koşullarındaki tahmini maruziyeti baz alan, operatörü koruyacak güvenlik önlemlerini mutlaka belirleyin (çalışma döngüsü içerisinde aletin kapalı olduğu ve aktif durumda olmasının yanı sıra boşta çalıştığı zamanlar gibi, bütün zaman dilimleri göz önünde bulundurarak).

EC Uygunluk Beyanı

Sadece Avrupa ülkeleri için

EC uygunluk beyanı bu kullanım kılavuzuna Ek A olarak eklenmiştir.

GÜVENLİK UYARILARI

Genel elektrikli alet güvenliği uyarıları

⚠UYARI: Bu elektrikli aletle birlikte sunulan tüm güvenlik uyarılarını, talimatları, çizimleri ve teknik özellikleri okuyun. Aşağıda verilen talimatlara uyulmaması elektrik şoku, yangın ve/veya ciddi yaralanmalar ile sonuçlanabilir.

Tüm uyarıları ve talimatları ile-ride başvurmak için saklayın.

Uyarılardaki "elektrikli alet" terimi ile ya prizden çalışan (kordonlu) elektrikli aletiniz ya da kendi aküsü ile çalışan (kordsuz) elektrikli aletiniz kastedilmektedir.

Akülü matkap ile ilgili güvenlik uyarıları

Tüm işlemler için güvenlik talimatları

1. Yardımcı tutamağı/tutamakları kullanın. Kontrol kaybı yaralanmaya neden olabilir.
2. Kesici aksesuarın görünmeyen kablolarla temas etme olasılığı bulunan yerlerde çalışırken elektrikli aleti yalıtımlı kavrama yüzeylerinden tutun. Kesici aksesuarın "akımlı" bir telle temas etmesi elektrikli aletin yalıtımsız metal kısımlarını "akımlı" hale getirebilir ve kullanıcıyı elektrik şokuna maruz bırakabilir.
3. Her zaman yere sağlam basın. Aleti yüksekte kullandığınızda, altında kimsenin olmadığınızdan emin olun.
4. Aleti sıkıca tutun.
5. Ellerinizi dönen parçalardan uzak tutun.
6. Aleti çalışır durumda bırakmayın. Aleti sadece elinizde iken çalıştırın.
7. Kullanılan ucu veya iş parçasını işlemden hemen sonra ellemeyin; bunlar çok sıcak olup derinizi yakabilir.
8. Bazı malzemeler zehirli olabilen kimyasallar içerirler. Toz yutmayı ve cilt temasını önlemek için tedbir alın. Malzeme sağlayıcısının güvenlik bilgilerine uyun.

9. Matkap ucu, ağızları açmanıza rağmen gevşetilemez ucu çekerek çıkarmak için pense kullanın. Bu durumda matkap ucunun elle çekilerek çıkarılması keskin ucu nedeniyle yaralanmaya neden olabilir.
10. Alette anormal sesler gibi yolunda gitmeyen bir şeyler olursa hemen çalışmayı durdurun ve yerel Makita Servis Merkezinizden tamir etmelerini isteyin.
11. Çalışma öncesinde toprakta elektrik borusu, su borusu veya gaz borusu gibi gömülü şeyler olmadığını emin olun. Aksi takdirde alet bunlara dokunarak elektrik çarpmasına, elektrik kaçağına veya gaz kaçağına yol açabilir.

Uzun matkap uçları kullanırken güvenlik talimatları

1. Matkap ucunun maksimum devir değerinden daha yüksek devirde asla çalıştırmayın. Yüksek devirlerde, iş parçasına dokunmadan serbest dönmeye izin verilirse ucun bükülmesi muhtemel olup yaralanmaya neden olabilir.
2. Her zaman düşük devirde ve uç, iş parçasına temas edecek şekilde delmeye başlayın. Yüksek devirlerde, iş parçasına dokunmadan serbest dönmeye izin verilirse ucun bükülmesi muhtemel olup yaralanmaya neden olabilir.
3. Sadece uç ile aynı hatta baskı uygulayın ve fazla baskı uygulamayın. Uçlar bükülerek kırılma veya kontrol kaybına neden olmak suretiyle yaralanmaya yol açabilir.

BU TALİMATLARI MUHAFAZA EDİNİZ.

⚠UYARI: Ürünü kullanırken (defalarca kullanınca kazanılan) rahatlık ve tanıdıklık duygusunun ilgili ürünün güvenlik kurallarına sıkı sıkıya bağlı kalmanın yerine geçmesine İZİN VERMEYİN. YANLIŞ KULLANIM veya bu kullanma kılavuzunda belirtilen emniyet kurallarına uymama ciddi yaralanmaya neden olabilir.

Batarya kartuşu hakkında önemli güvenlik talimatları

1. Batarya kartuşunu kullanmadan önce, tüm talimatları ve (1) batarya kartuşu, (2) batarya ve (3) ürün üzerindeki tüm uyarı işaretlerini okuyun.
2. Batarya kartuşunu parçalarına ayırmayın veya kurcalamayın. Yangın, aşırı ısı veya patlamaya neden olabilir.
3. Çalışma süresi aşırı derecede kısalırsa kullanmayı derhal bırakın. Aşırı ısınma, yanma riski hatta patlamaya neden olabilir.
4. Gözünüze elektrolit kaçarsa, gözlerinizi temiz suyla durulayın ve hemen tıbbi yardım alın. Görme kaybına yol açabilir.
5. Batarya kartuşuna kısa devre yaptırmayın:
 - (1) Terminallere herhangi bir iletken madde deşdirmeyin.
 - (2) Batarya kartuşunu çiviler, madeni paralar, vb. gibi başka metal nesnelere aynı kaba koymaktan kaçının.
 - (3) Batarya kartuşunu yağmura ya da suya maruz bırakmayın.Kısa devre, büyük bir akım akışına, aşırı ısınmaya, olası yanıklara hatta bataryanın bozulmasına yol açabilir.

6. Aleti ve batarya kartuşunu sıcaklığın 50°C ya da daha yüksekçe ulaştığı yerlerde saklamayın ve kullanmayın.
7. Aşırı derecede hasar görmüş ya da tamamen kullanılamaz durumda olsa bile batarya kartuşunu yakmayın. Batarya kartuşu ateşe atılırsa patlayabilir.
8. Batarya kartuşunu çivilemeyin, kesmeyin, ezmeyin, fırlatmayın, düşürmeyin ya da batarya kartuşuna sert bir nesne ile vurmayın. Bu eylemler yangın, aşırı ısı veya patlamaya neden olabilir.
9. Hasarlı bataryayı kullanmayın.
10. Aletin içerdiği lityum-iyon bataryalar Tehlikeli Eşyalar Yönetmeliğinin gereksinimlerine tabidir. Ticari nakliye işlemleri için, örneğin üçüncü taraflar, nakliye acenteleri tarafından yapılan nakliyelerde, paketleme ve etiketleme gereksinimlerine uyulmalıdır. Nakliyesi yapılacak ürünün hazırlanması için, tehlikeli maddeler konusunda uzman bir kişiye danışın. Lütfen muhtemelen daha ayrıntılı olan ulusal yönetmeliklere de uyun. Açık kontakları bantlayın ya da maskeleyin ve bataryayı paketin içinde hareket etmeyecek şekilde paketleyin.
11. Batarya kartuşunu bertaraf ederken aletten çıkarın ve güvenli bir yerde bertaraf edin. Bataryanın bertaraf edilmesi ile ilgili yerel düzenlemelere uyunuz.
12. Bataryaları sadece Makita tarafından belirtilen ürünlerle kullanın. Bataryaların uyumsuz ürünlere takılması; yangın, aşırı ısınma, patlama ya da elektrolit sızıtmasına neden olabilir.
13. Alet uzun süre kullanılmıyacaksa batarya aletten çıkarılmalıdır.
14. Kullanma sırasında ve sonrasında batarya kartuşu ısınarak yanıklara veya düşük sıcaklık yanıklarına yol açabilir. Sıcak batarya kartuşları ile işlem yaparken dikkat edin.
15. Yanıklara neden olabilecek kadar sıcak olabileceğinden kullandıktan hemen sonra aletin terminaline dokunmayın.
16. Batarya kartuşunun terminallerine, deliklerine ve kanallarına micir, toz veya toprak girmesine izin vermeyin. Aletin veya batarya kartuşunun ısınmasına, alev almasına, patlamasına ve arızalanmasına neden olarak yanıklara veya yaralanmaya yol açabilir.
17. Alet yüksek gerilim elektrik güç hatlarında kullanımı desteklemediği sürece batarya kartuşunu yüksek gerilim elektrik güç hatlarının yakınında kullanmayın. Aletin veya batarya kartuşunun arızalanmasına veya bozulmasına neden olabilir.
18. Bataryayı çocuklardan uzak tutun.

BU TALİMATLARI MUHAFAZA EDİNİZ.

⚠DİKKAT: Sadece orijinal Makita bataryalarını kullanın. Orijinal olmayan Makita bataryaları ya da üzerine değişiklik yapılmış bataryaların kullanımı bataryanın patlamasına ve sonuç olarak yangın, kişisel yaralanma ve hasara neden olabilir. Ayrıca Makita aleti ve şarj aletinin Makita tarafından sunulan garantisi de geçersiz olur.

Maksimum batarya ömrü için ipuçları

1. Batarya kartuşunu tamamen boşalmadan önce şarj edin. Aletin gücünün zayıflamaya başladığını fark ettiğinizde aleti durdurun ve batarya kartuşunu şarj edin.
2. Tam dolu bir batarya kartuşunu asla yeniden şarj etmeyin. Aşırı şarj etme bataryanın hizmet ömrünü kısaltır.
3. Batarya kartuşunu 10 °C - 40 °C oda sıcaklığında şarj edin. Sıcak bir batarya kartuşunu şarj etmeden önce soğumasını bekleyin.
4. Batarya kartuşunu kullanımyorken aletten veya şarj aletinden çıkarın.
5. Uzun bir süre (altı aydan daha fazla) kullanmadığınız durumlarda batarya kartuşunu şarj edin.

İŞLEVSEL NİTELİKLER

⚠DİKKAT: Alet üzerinde ayarlama veya işleyiş kontrolü yapmadan önce aletin kapalı ve batarya kartuşunun ayrılmış olduğundan daima emin olun.

Batarya kartuşunun takılması ve çıkarılması

⚠DİKKAT: Batarya kartuşunu takmadan ya da çıkarmadan önce aleti daima kapatın.

⚠DİKKAT: Batarya kartuşunu takarken veya çıkarırken aleti ve batarya kartuşunu sıkıca tutun. Aletin ve batarya kartuşunun sıkıca tutulmaması bunların düşürülmesine sebep olabilir ve alet ve batarya kartuşunun zarar görmesine ya da ciddi yaralanmasına yol açabilir.

► **Şek.1:** 1. Kırmızı gösterge 2. Düğme 3. Batarya kartuşu

Batarya kartuşunu çıkarmak için, kartuşun ön tarafındaki düğmeyi kaydırarak kartuşu aletten çıkarın.

Batarya kartuşunu takmak için, batarya kartuşu üzerindeki dili yuvanın oluğu ile hizalayın ve kartuşu yerine oturtun. Kartuşu, küçük bir tık sesi ile yerine sabitlenene dek sonuna kadar itirin. Şekilde gösterildiği gibi kırmızı göstergeyi görebiliyorsanız tam olarak kilitlenmemiş demektir.

⚠DİKKAT: Batarya kartuşunu daima kırmızı gösterge görünmeyecek şekilde tam olarak takın. Yerine tam oturmazsa, aletten yanlışlıkla düşebilir, sizin ya da çevrenizdeki kişilerin yaralanmasına neden olabilir.

⚠DİKKAT: Batarya kartuşunu zorlayarak takmayın. Kartuş kolay bir şekilde kaymıyorsa doğru yerleştirilmemiş demektir.

Kalan batarya kapasitesinin gösterilmesi

Sadece göstergeli batarya kartuşları için

► **Şek.2:** 1. Gösterge lambaları 2. Kontrol düğmesi

Kalan batarya kapasitesini göstermesi için batarya kartuşu üzerindeki kontrol düğmesine basın. Gösterge lambaları birkaç saniye yanar.

Gösterge lambaları			Kalan kapasite
Yanıyor	Kapalı	Yanıp sönmüyor	
■	□	▣	%75 ila %100
■ ■ ■ ■			
■ ■ ■ □			%50 ila %75
■ ■ □ □			%25 ila %50
■ □ □ □			%0 ila %25
▣ □ □ □			Bataryayı şarj edin.
■ ■ □ □			Batarya arızalanmış olabilir.
□ □ ■ ■			

NOT: Kullanım koşullarına ve ortam sıcaklığına bağlı olarak, gösterilen değer gerçek kapasiteden biraz farklılık gösterebilir.

NOT: İlk (en soldaki) gösterge lambası, batarya koruma sistemi çalıştığında yanıp söner.

Alet/batarya koruma sistemi

Bu alet bir alet/batarya koruma sistemi ile donatılmıştır. Bu sistem motora giden gücü otomatik olarak keserek uzun alet ve batarya ömrü sağlar. Alet veya batarya için aşağıdaki durumlardan biri söz konusu olduğunda aletin işleyişi otomatik olarak durur:

Aşırı yük koruması

Alet/batarya, anormal derecede yüksek akım çekmesine neden olacak şekilde çalıştırılırsa alet otomatik olarak durur. Bu durumda aleti kapatın ve aletin aşırı yüklenmesine neden olan uygulamayı kesin. Ardından aleti açarak yeniden çalıştırın.

Aşırı ısınma koruması

Alet/batarya aşırı ısındığında otomatik olarak durur ve lamba yanıp söner. Bu durumda, yeniden çalıştırmadan önce aletin soğumasını bekleyin.

Aşırı deşarj koruması

Batarya kapasitesi yeterli olmadığında, alet otomatik olarak durur. Bu durumda, bataryayı aletten çıkarın ve bataryayı tekrar şarj edin.

Anahtar işlemi

⚠DİKKAT: Batarya kartuşunu alete takmadan önce anahtar tetiğin doğru çalıştığından ve bırakıldığında “OFF” (kapalı) konumuna döndüğünden emin olun.

► **Şek.3:** 1. Anahtar tetik

Aleti çalıştırmak için, anahtar tetiği çekin. Aletin çalışma hızı, anahtar tetiğe uygulanan baskı artırılarak artırılır. Aleti durdurmak için anahtar tetiği bırakın.

NOT: Yaklaşık 6 dakika boyunca anahtar tetiği çekmeye devam ederseniz alet otomatik olarak durur.

Ön lambanın yakılması

⚠DİKKAT: Işığa bakmayın ya da ışık kaynağını doğrudan görmeyin.

► **Şek.4:** 1. Lamba

Lambayı yakmak için anahtar tetiği çekin. Anahtar tetik çekilirken lamba yanmaya devam eder. Anahtar tetik serbest bırakıldıktan yaklaşık 10 saniye sonra lamba söner.

NOT: Alet aşırı ısındığında otomatik olarak durur ve lamba yanıp sönmeye başlar. Bu durumda anahtar tetiği serbest bırakın. Lamba 1 dakika içinde söner.

NOT: Lamba lensini temizlemek için kuru bir bez kullanın. Aydınlatmayı azaltacağı için lamba lensinin çizilmemesine dikkat edin.

Ters dönüş mandalı işlemi

⚠DİKKAT: Kullanmadan önce dönüş yönünü daima kontrol edin.

⚠DİKKAT: Ters döndürme anahtarını sadece alet tamamen durduktan sonra kullanın. Dönüş yönünün alet durmadan önce değiştirilmesi alete zarar verebilir.

⚠DİKKAT: Aleti kullanmadığınız zaman, ters döndürme anahtarını daima nötr konumuna ayarlayın.

Bu aletin dönüş yönünü değiştirmek için bir ters döndürme anahtarı vardır. Ters döndürme anahtarına saat yönünde dönüş için A tarafından tersi yönde dönüş içinse B tarafından bastırın.

Ters dönüş mandalı nötr konumundayken anahtar kolu çekilemez.

► **Şek.5:** 1. Ters dönüş mandalı anahtarı

Hız deęiřtirme

ÖNEMLİ NOT: Hız deęiřtirme düęmesini yalnızca alet tam durduktan sonra kullanın. Alet durmadan aletin hızının deęiřtirilmesi alete hasar verebilir.

ÖNEMLİ NOT: Hız deęiřtirme düęmesini her zaman dikkatlice doęru konuma ayarlayın. Hız deęiřtirme düęmesi konum 1 ile konum 2 arasında bir pozisyonda iken aleti kullanırsanız alet zarar görebilir.

ÖNEMLİ NOT: Yüksek hız modunda çalışma sırasında dönüş hızı önemli ölçüde düşerse aleti durdurun ve modu, düşük hız moduna alın. Aksi takdirde motor aşırı yüklenir ve bir arıza ya da yangına neden olabilir.

Hız deęiřtirme düęmesi ile iki hız aralığı önceden seçilebilir. Hız deęiřtirmek için hız deęiřtirme düęmesini, gösterge düşük hız modu için konum 1 veya yüksek hız modu için konum 2'yi gösterecek şekilde çevirin.

► **Şek.6:** 1. Gösterge 2. Hız deęiřtirme düęmesi

Elektronik fonksiyon

Elektrikli fren

Bu alet bir elektrikli fren ile donatılmıştır. Anahtar tetik bırakıldıktan sonra alet sürekli olarak çabucak çalışmayı durduruyorsa alete Makita servis merkezinde bakım yaptırın.

Hafif başlatma özellięi

Bu fonksiyon, başlama torkunu sınırlayarak aletin pürüzsüz başlamasını sağlar.

MONTAJ

⚠DİKKAT: Alet üzerinde herhangi bir iş yapmadan önce aletin kapalı ve batarya kartuşunun ayrılmış olduğundan daima emin olun.

Yan kavrama kolunun (yardımcı tutamaęın) takılması

⚠DİKKAT: Çalışmaya başlamadan önce yan kavrama kolunun yerine sağlam şekilde takılmış olduğundan daima emin olun.

Yan kavrama kolunu alete sıkıca vidalayın. Yan kavrama kolu aletin her iki tarafına, hangisi rahatsa, takılabilir.

► **Şek.7:** 1. Yan kavrama kolu

Anahtar yuvasının takılması

(Ülkeye özgü)

⚠DİKKAT: Çalışmaya başlamadan önce anahtar yuvasının yerine sağlam şekilde takılmış olduğundan daima emin olun.

Anahtar yuvasını alete sıkıca vidalayın. Ardından mandren anahtarını yerine yerleştirin.

► **Şek.8:** 1. Anahtar yuvası 2. Vida 3. Mandren anahtarı

Matkap ucunun takılması veya çıkarılması

Model DDA450 için

Takmak için matkap ucunu mandrenin içine sonuna kadar sokun. Mandreni elle sıkın. Mandren anahtarını üç deliğin her birine yerleştirerek saat yönünde sıkın. Tüm üç mandren deliğini eşit olarak sıktığınızdan emin olun.

Matkap ucunu çıkarmak için mandren anahtarını sadece tek bir delikten saatin aksi yönünde çevirin, daha sonra mandreni elle gevşetin.

► **Şek.9:** 1. Mandren anahtarı

Kullandıktan sonra mandren anahtarını şekilde gösterildiği gibi aletin üzerindeki anahtar yuvasına geri koyun.

► **Şek.10:** 1. Anahtar yuvası

Model DDA451 için

Yalnızca şekilde gösterilen boyutlarla tasarlanmış matkap ucunu kullanın.

A=11,2 mm (7/16")

► **Şek.11**

Matkap ucunu takmak için, manşonu ok yönünde çekin ve matkap ucunu manşon içinde gidebileceği kadar ileri yerleştirin.

Ardından matkap ucunu sabitlemek için manşonu serbest bırakın.

Matkap ucunu çıkarmak için, manşonu ok yönünde çekin ve matkap ucunu çekip çıkarın.

► **Şek.12:** 1. Matkap ucu 2. Kovan

NOT: Matkap ucu manşonun içinde yeterince derine yerleştirilmezse, manşon orijinal konumuna dönmez ve matkap ucu sabitlenmez. Bu durumda, matkap ucunu yukarıdaki talimatlara göre yeniden yerleştirmeye çalışın.

NOT: Matkap ucunu yerleştirdikten sonra yerine iyice sabitlendiğinden emin olun. Eğer dışarı çıkıyorsa ucu kullanmayın.

Kanca

⚠DİKKAT: Aleti kanca ile asarken bataryayı daima çıkarın.

⚠DİKKAT: Aleti hiçbir zaman yüksek bir yere veya potansiyel olarak dengesiz bir zemine asmayın.

Kanca, aleti geçici olarak asmak için kullanışlıdır. Kancayı kullanmak için açık konuma oturana dek kancayı kaldırın. Kullanılmıyorken daima kancayı indirerek kapalı konuma oturtun.

► **Şek.13:** 1. Kanca

► **Şek.14**

Halatın (bağlama kayışı) kancaya bağlanması

⚠️ DİKKAT: Hasarlı kanca ve vidaları kullanmayın. Kullanmadan önce daima hasar, çatlak veya deformasyon olup olmadığını kontrol edin ve vidaların sıkılı olduğundan emin olun.

⚠️ DİKKAT: Kancanın vidalarla sıkıca takıldığından emin olun.

⚠️ DİKKAT: Aleti asarken hiçbir aksesuarı takıp çıkarmayın. Vidalar sıkılmazsa alet düşebilir.

⚠️ DİKKAT: Her zaman bir kilitleme karabinası (çok işlemlili ve vidalı tip) kullanın ve halatı (bağlama kayışı) mutlaka kancanın çift döngümlü kısmına takın. Hatalı takmak aletin kancadan düşmesine neden olabilir ve yaralanmaya yol açabilir.

Kanca, halatı (bağlama kayışı) bağlamak için de kullanılır. Halatı (bağlama kayışı) mutlaka kancanın çift döngümlü kısmına bağlayın.

► **Şek.15:** 1. Kancanın çift döngümlü kısmı 2. Halat (bağlama kayışı) 3. Kilitleme karabinası (çok işlemlili ve vidalı tip)

KULLANIM

⚠️ DİKKAT: Batarya kartuşunu daima yerine tam kilitlene kadar itin. Düğmenin üst tarafındaki kırmızı göstereyi görüyorsanız, kartuş tam kilitlenmemiş demektir. Kırmızı gösterge görünmeyecek şekilde tam olarak oturtun. Aksi takdirde, aletten yanlışlıkla düşebilir, sizin ya da çevrenizdeki kişilerin yaralanmasına neden olabilir.

⚠️ DİKKAT: Hız aşırı derecede yavaşlarsa, alete zarar vermemek için yükü azaltın veya aleti durdurun.

⚠️ DİKKAT: Aleti kullanırken aleti sıkıca tutun.

Aletin tutulması

⚠️ DİKKAT: Bu alet güçlü bir alettir. Yüksek tork üretilir ve aletin sıkıca tutulması ve uygun şekilde desteklenmesi önemlidir.

Tutamağı bir elinizle ve ön tutamağı diğer elinizle kavrayın.

► **Şek.16:** 1. Ön tutamak 2. Tutamak

Delme işlemi

Tahta delerken

Tahta delerken, kılavuz vidalı tahta uçlarıyla en iyi sonuçlar elde edilir. Kılavuz vida, matkap ucunu iş parçasına çekmek suretiyle delme işlemini kolaylaştırır.

Metal delerken

Delik delmeye başlarken, matkap ucunun kaymasını engellemek için zimba ve çekiç yardımı ile delik açılacak noktaya çentik açın. Çentik üstüne matkap ucunu yerleştirip delmeye başlayın. Metal delerken kesme soğutucusu sıvıyı kullanın. Ancak demir ve çelik istisna olup kuru olarak delinmelidir.

⚠️ DİKKAT: Alete aşırı baskı yapıldığında delme işlemi hızlanmayacaktır. Aşırı baskı matkap ucunun yıpranmasına, alet performansının düşmesine ve aletin kullanım ömrünün kısalmasına yol açacaktır.

⚠️ DİKKAT: Matkap ucu, iş parçasını delip çıkmaya başladığında aleti sıkı tutun ve dikkat sarf edin. Deliğin açılması sırasında alet/matkap ucu üzerine çok büyük güç uygulanır.

⚠️ DİKKAT: Sıkışkan bir matkap ucu, aleti ters yöne döndürerek kolayca çıkartılabilir. Fakat bu durumda aleti sıkıca tutmak gerekir, aksi halde alet darbe ile aniden elden çıkabilir.

⚠️ DİKKAT: İş parçalarını daima bir mengene ya da benzer sıkıştırma aygıtlarıyla sabitleyin.

⚠️ DİKKAT: Matkap ucunun sıkışmasına veya kırılmasına neden olabilecek saklı çiviler veya başka nesnelere içerdiğinden şüphelendiğiniz malzemede delik delmekten kaçının.

⚠️ DİKKAT: Alet, batarya kartuşunun şarjı bitene kadar sürekli olarak kullanılmışsa, tam şarjlı bir batarya ile devam etmeden önce aleti 15 dakika dinlendirin.

Halat (bağlama kayışı) bağlantısı

⚠️ Yüksekte kullanıma özel güvenlik uyarıları
Tüm güvenlik uyarılarını ve talimatları okuyun. Uyarıların ve talimatların izlenmemesi ciddi yaralanmaya yol açabilir.

1. “Yüksekte” çalışırken aleti her zaman bağlı tutun. Maksimum halat uzunluğu 2 m’dir. Halat (bağlama kayışı) için izin verilebilir maksimum düşme yüksekliği 2 m’yi geçmemelidir.
2. Yalnızca bu alet türüne uygun ve taşıma kapasitesi en az 5,0 kg (11,0 lbs) olan halatlarla kullanın.
3. Alet halatını vücudunuzdaki hiçbir şeye veya hareketli parçalara bağlamayın. Alet halatını, düşen bir aletin kuvvetlerine dayanabilecek sabit bir yapıya bağlayın.
4. Kullanmadan önce halatın iki ucunun da uygun şekilde tutturulduğunu kontrol edin.
5. Her kullanımdan önce aleti ve halatı (örgü ve dikiş dahil) hasar ve uygun çalışma açısından kontrol edin. Hasarlı ise veya düzgün çalışmıyorsa kullanmayın.
6. Halatları keskin veya pürüzlü kenarların etrafına sarmayın veya bunlara temas etmesine izin vermeyin.
7. Halatın diğer ucunu, düşen alet güvenli bir şekilde tutulacak şekilde çalışma alanının dışına bağlayın.
8. Halatı, alet düştüğünde operatörden uzaklaşacak şekilde bağlayın. Düşen aletler halatın ucunda sallanır, bu durum yaralanmaya veya denge kaybına neden olabilir.

9. **Hareketli parçaların veya çalışan makinelerin yakınında kullanmayın.** Aksi takdirde parçalanma veya takılma tehlikesine neden olabilir.
10. **Aleti bağlantı aygıtından veya halattan taşımayın.**
11. **Aleti yalnızca ellerinizin arasında, dengeniz tam iken aktarın.**
12. **Halatları siperlerin, anahtarların veya güvenlik kilitlerinin düzgün çalışmasını engelleyecek şekilde alete takmayın.**
13. **Halata takılmaktan sakının.**
14. **Halatı aletin kesim alanından uzak tutun.**
15. **Çok işlemlili tip ve vidalı tip karabinalar kullanın. Tek işlemlili yaylı karabinalar kullanmayın.**
16. **Aletin düşmesi durumunda alet etiketlenmeli ve servis dışı bırakılmalıdır; Makita fabrikası veya yetkili servis merkezi tarafından kontrol edilmelidir.**

BAKIM

⚠DİKKAT: Muayene ya da bakım yapmadan önce aletin kapalı ve batarya kartuşunun çıkarılmış olduğundan daima emin olun.

ÖNEMLİ NOT: Benzin, tiner, alkol ve benzeri maddeleri kesinlikle kullanmayın. Renk değişimi, deformasyon veya çatlaklar oluşabilir.

Aleti EMNİYETLİ ve ÇALIŞMAYA HAZIR durumda tutmak için onarımlar, başka her türlü bakım ve ayarlamalar daima Makita yedek parçaları kullanılarak Makita yetkili servis merkezleri veya Fabrikanın Servis Merkezleri tarafından yapılmalıdır.

İSTEĞE BAĞLI AKSESUARLAR

⚠DİKKAT: Bu aksesuarlar ve ek parçalar bu el kitabında belirtilen Makita aletiniz ile kullanılmak için tavsiye edilmektedir. Herhangi başka bir aksesuar ya da ek parça kullanılması insanlar için bir yaralanma riski getirebilir. Aksesuarları ya da ek parçaları yalnızca belirtilmiş olan kullanım amaçlarına uygun olarak kullanın.

Bu aksesuarlarla ilgili daha fazla bilgiye ihtiyaç duyarsanız bulunduğunuz yerdeki yetkili Makita servisine başvurun.

- Matkap uçları
- Orijinal Makita batarya ve şarj aleti

NOT: Listedeki parçaların bazıları alet paketi içerisinde standart aksesuar olarak dahil edilmiş olabilir. Bunlar ülkeden ülkeye farklılık gösterebilir.

Makita Europe N.V. Jan-Baptist Vinkstraat 2,
3070 Kortenberg, Belgium

Makita Corporation 3-11-8, Sumiyoshi-cho,
Anjo, Aichi 446-8502 Japan

www.makita.com

885869A998
EN, FR, DE, IT, NL,
ES, PT, DA, EL, TR
20220601