



1 E-AP ...



2 EE-LS-MS- ...  
E-LS-MS- ...



3 E-APL- ...LED



4 EE-EB ...  
E-EB ...



5 EE-FTS ...



6 EE-AB ...  
E-AB ...



7 EE-KAM ...  
E-KAM ...



8 EE-LP ...  
E-LP ... / E-FBH



9 EE-KES ...  
E-KES ...



10 E-FBH ...



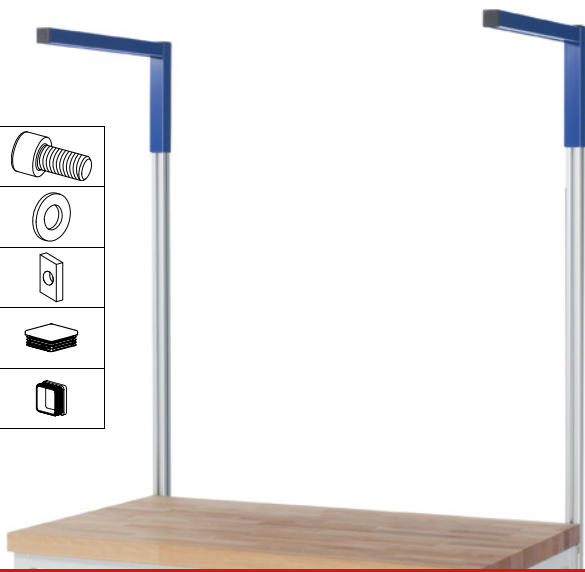
11 E-410 ...



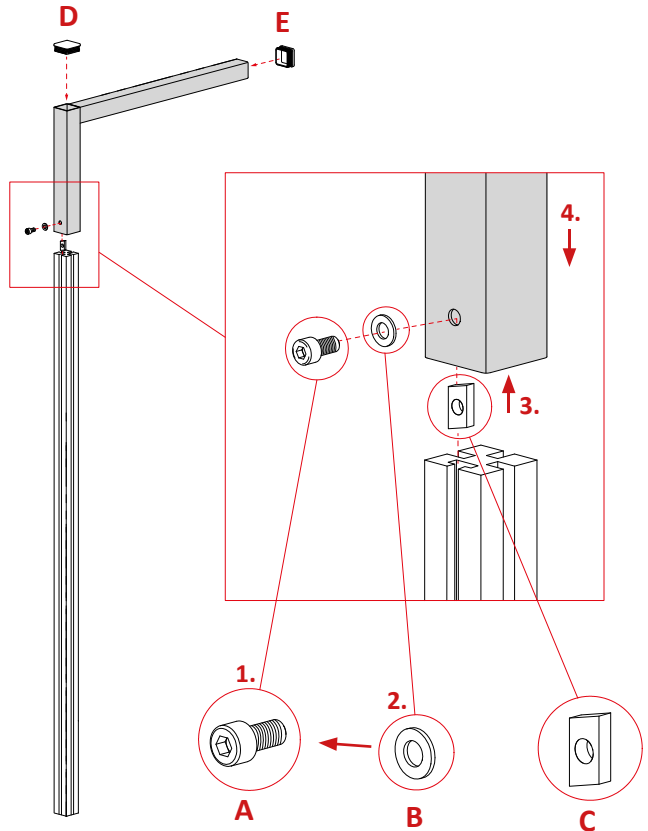
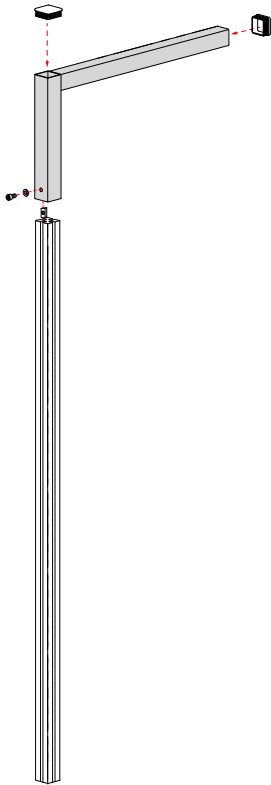
12 E-SA-FB ...



13 E-T-SA-FB ...

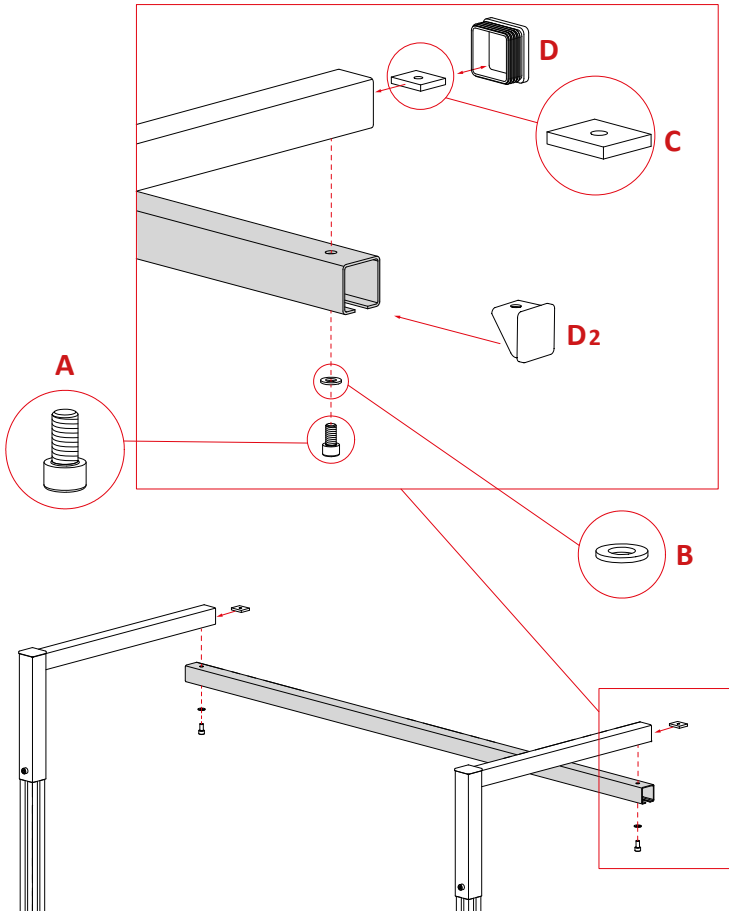
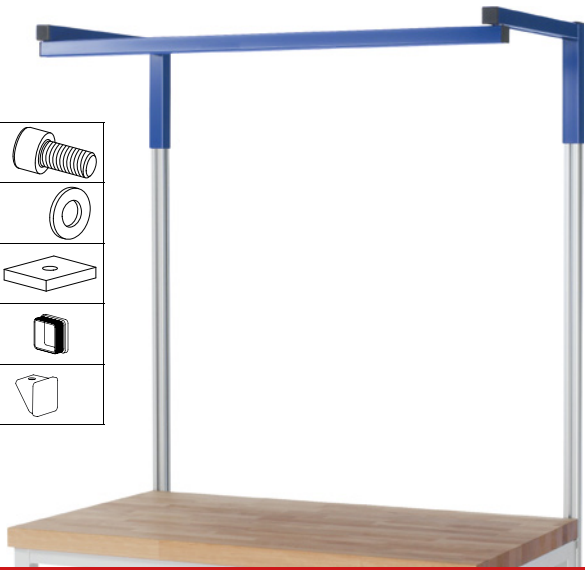
**1****E-AP ...**

 SW6	<b>A</b>	<b>2x</b> M8 x 14 mm	
	<b>B</b>	<b>2x</b> Ø 8,4/18 mm	
	<b>C</b>	<b>2x</b> M8 12x22 mm	
	<b>D</b>	<b>2x</b> 45x45 mm	
	<b>E</b>	<b>2x</b> 40x40 mm	


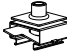



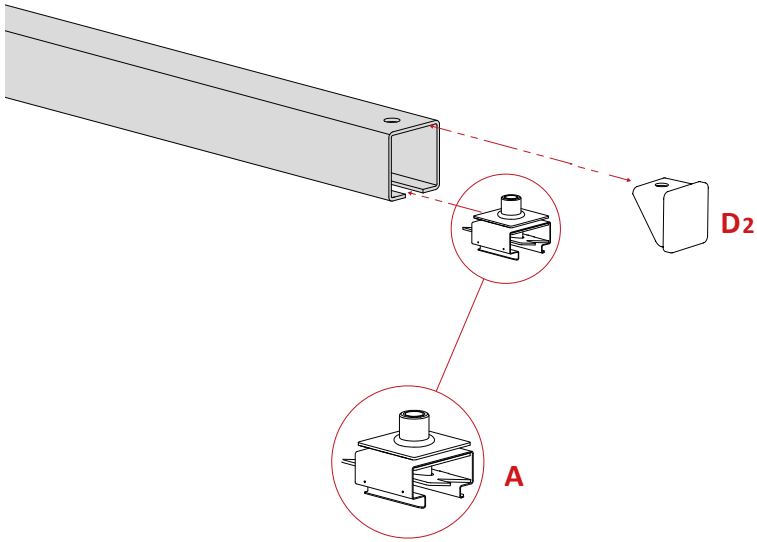
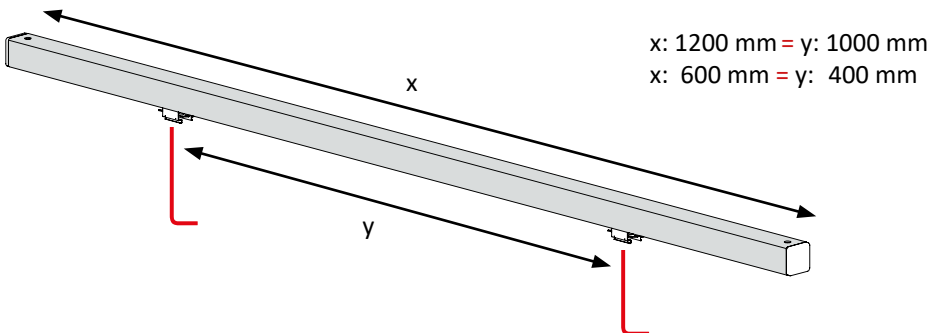
**2**EE-LS-MS- ...  
E-LS-MS- ...

SW6

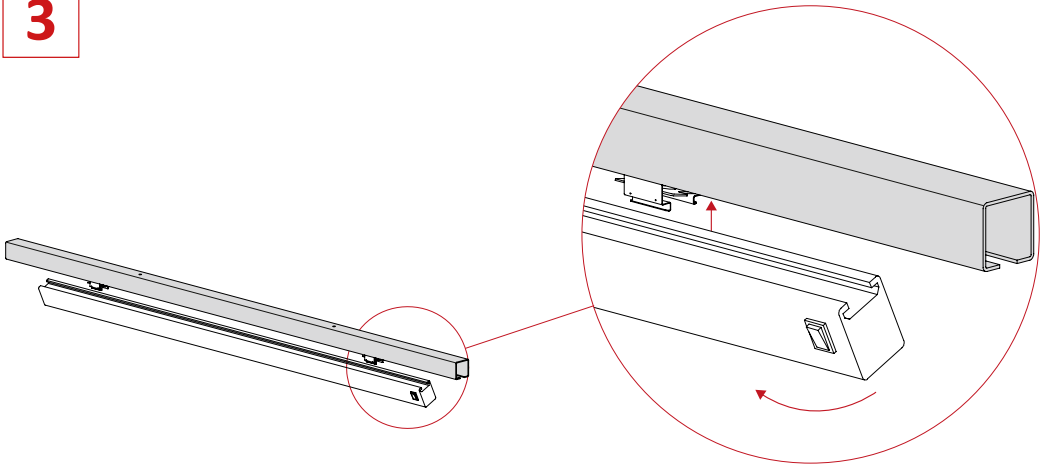
**A** 2x M8 x 14 mm**B** 2x  $\varnothing$  8,4/18 mm**C** 2x M8 27x32 mm**D** 2x 40x40 mm**D2** 2x 40x40 mm

**3****E-APL- ...LED**

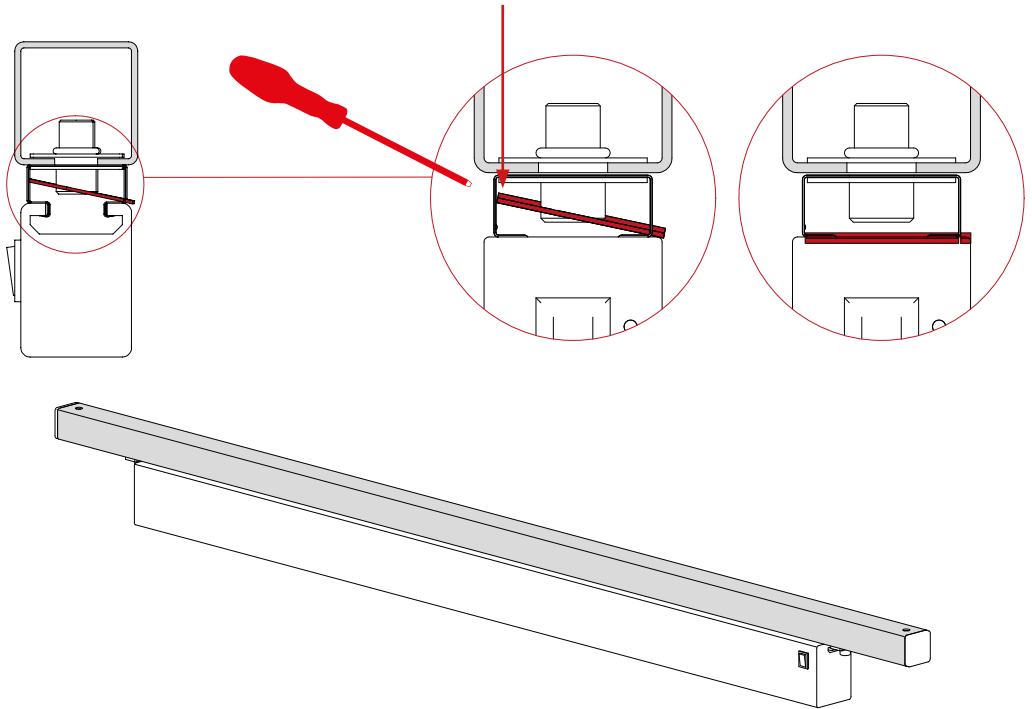
 SW6	<b>A</b>	<b>2x</b>	
	<b>D2</b>	<b>2x</b>	<b>40x40 mm</b> 

**1****2**





3

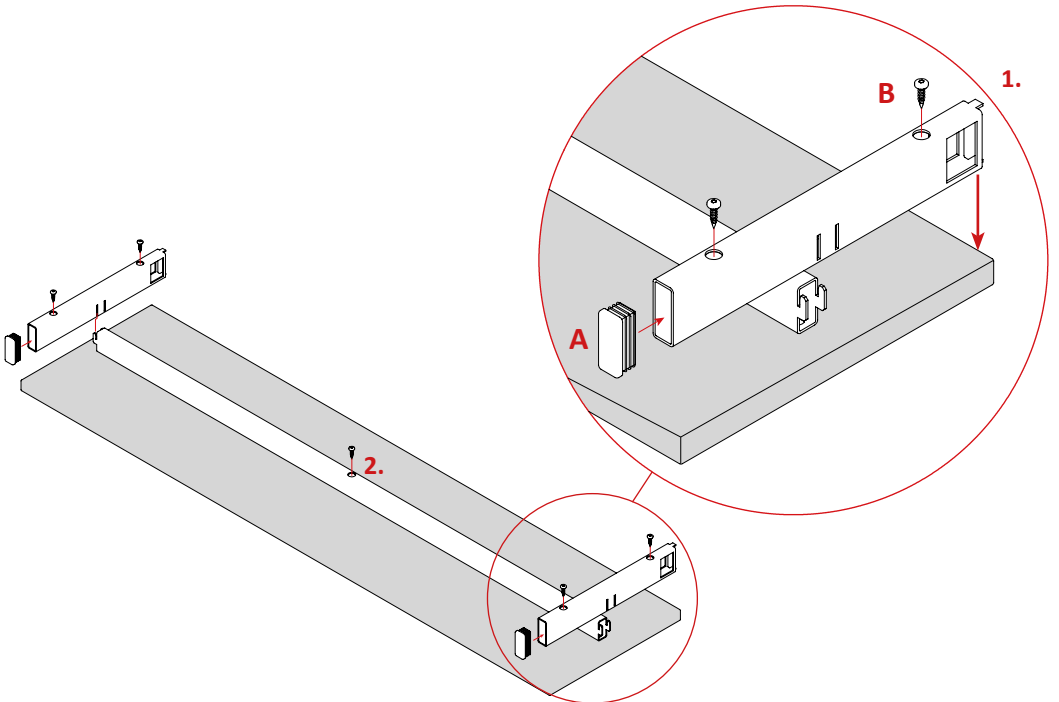


4


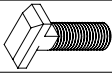





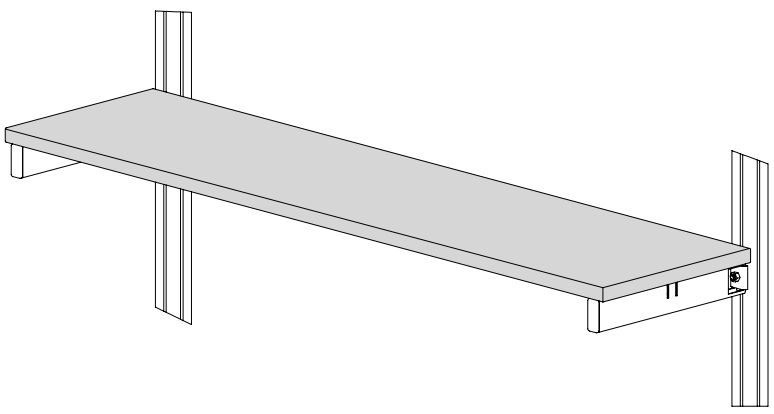
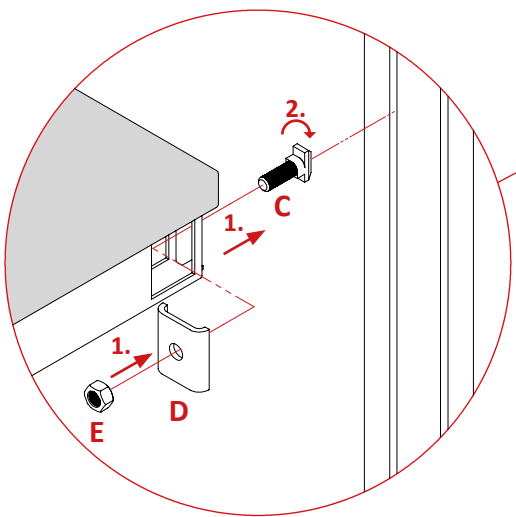
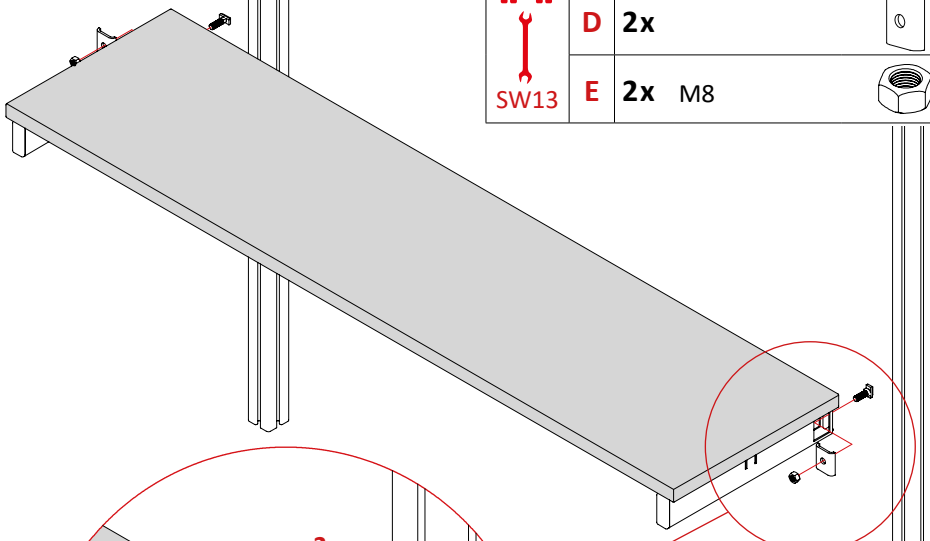



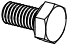


	<b>A</b> 2x 50x20 mm	
	<b>B</b> 2x 5x20 mm	



2

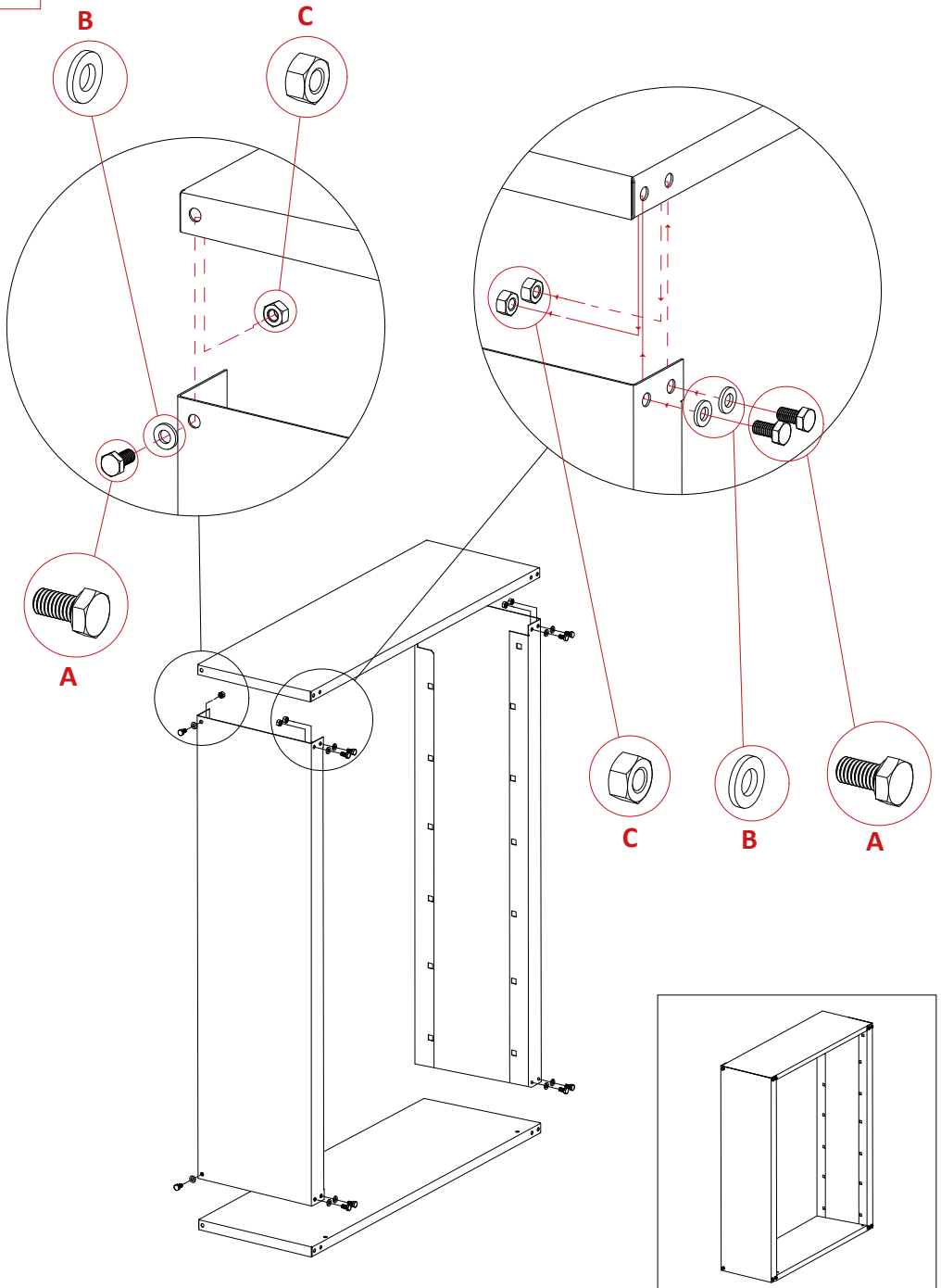
	<b>C</b>	<b>2x</b> M8x20mm	
	<b>D</b>	<b>2x</b>	
<b>SW13</b>	<b>E</b>	<b>2x</b> M8	

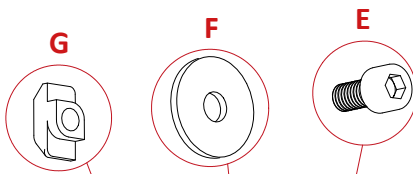


 <b>SW10</b>	<b>A</b>	<b>12x</b> M6 x 10 mm	
	<b>B</b>	<b>12x</b> Ø 6,4/10 mm	
	<b>C</b>	<b>12x</b> M6	

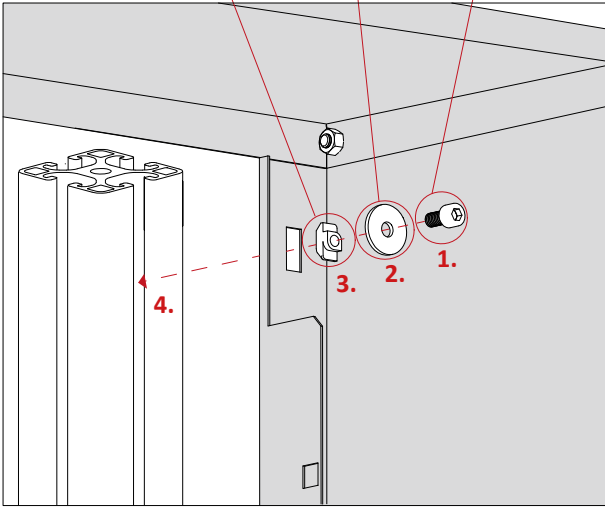
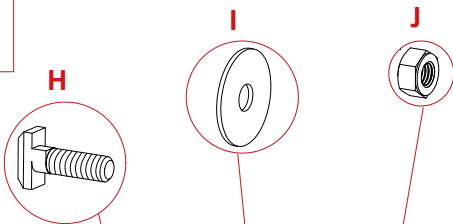




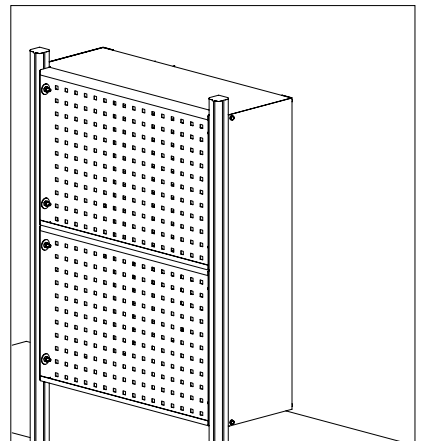
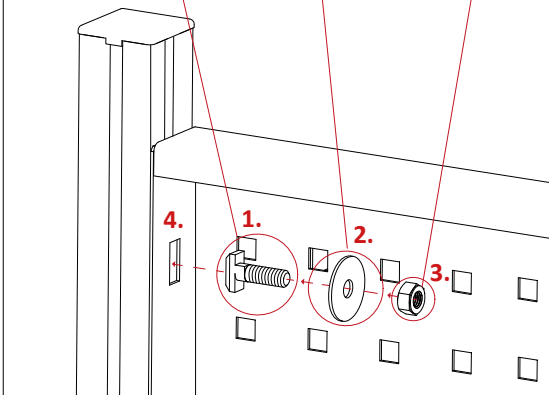
**1**

**2**

	<b>E</b> 4x	M6 12mm	
	<b>F</b> 4x	Ø 6,6x22 mm	
	<b>G</b> 4x	M6	

**3**

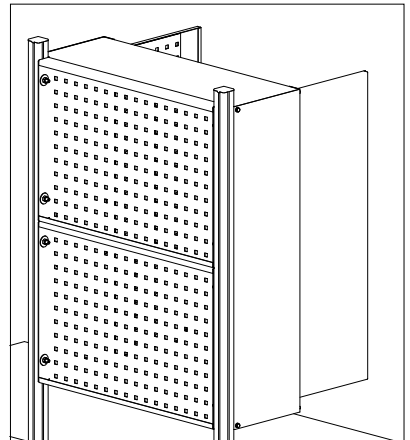
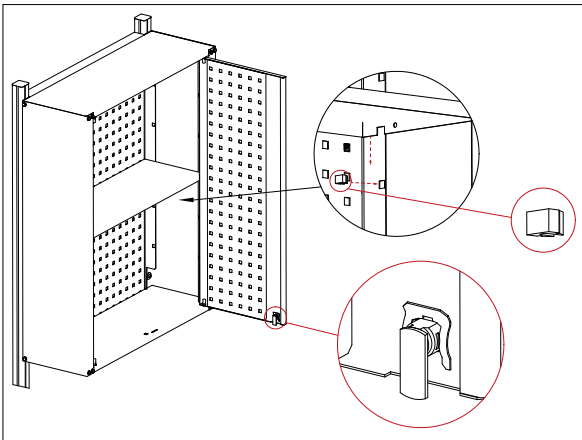
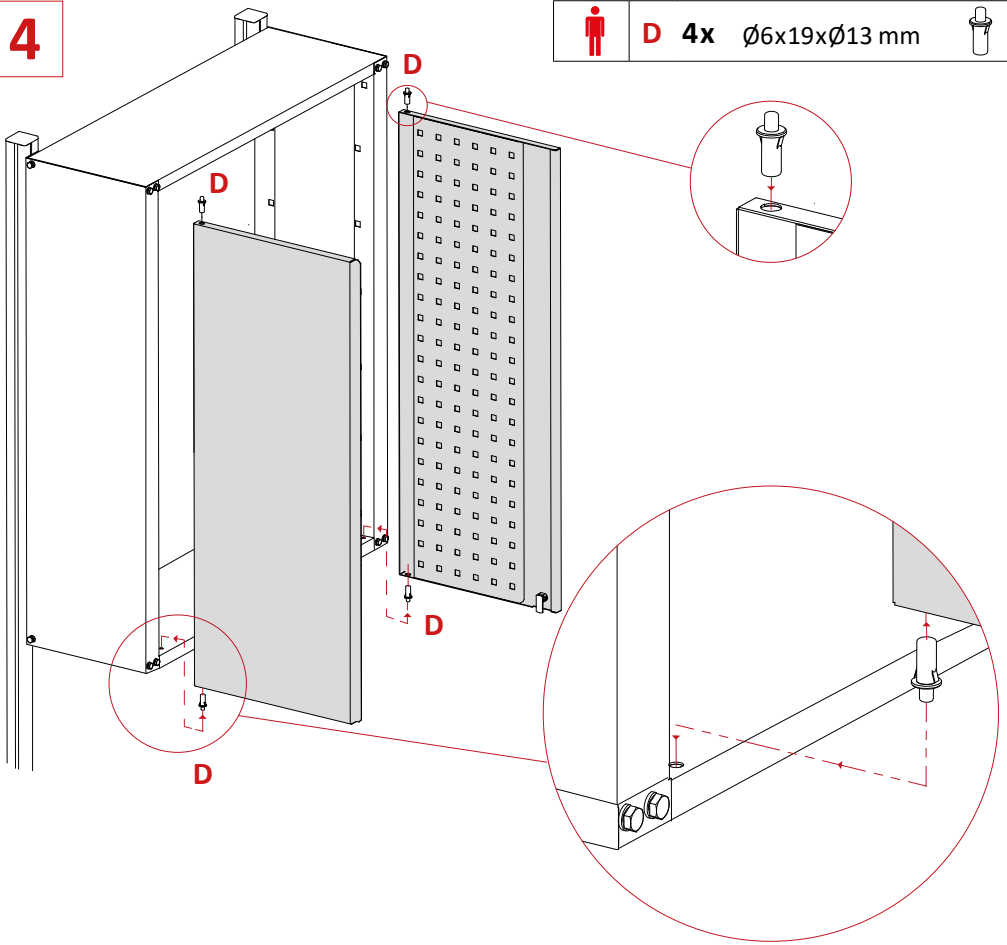
	<b>H</b> 8x	M8 20mm	
	<b>I</b> 8x	Ø 8,4x25 mm	
	<b>J</b> 8x	M8	



4



D 4x Ø6x19xØ13 mm



6

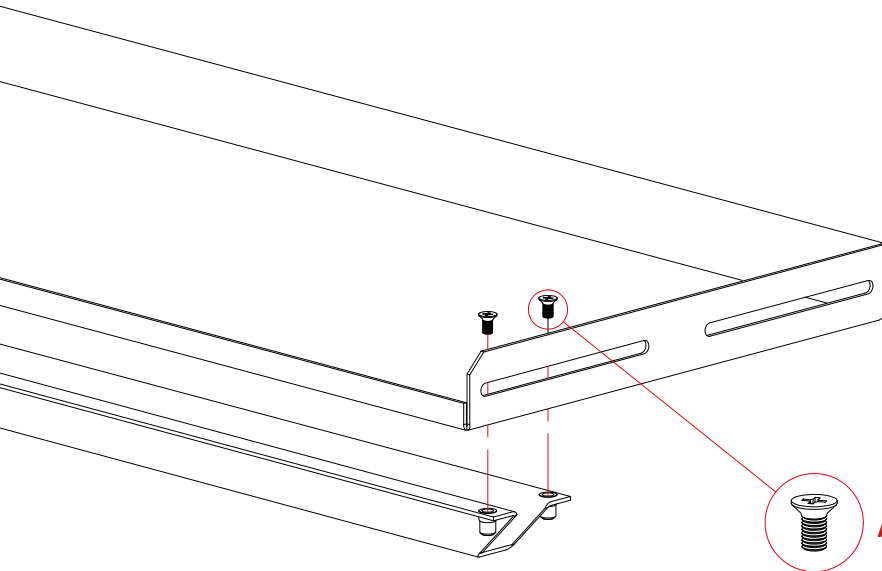
EE-AB ...  
E-AB ...



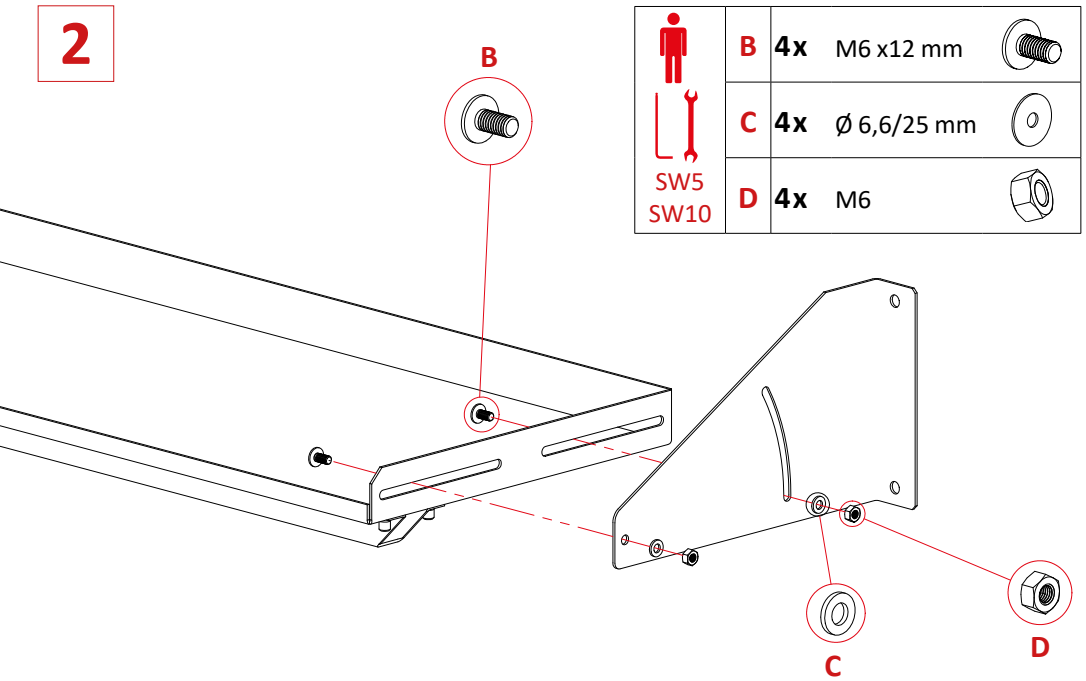
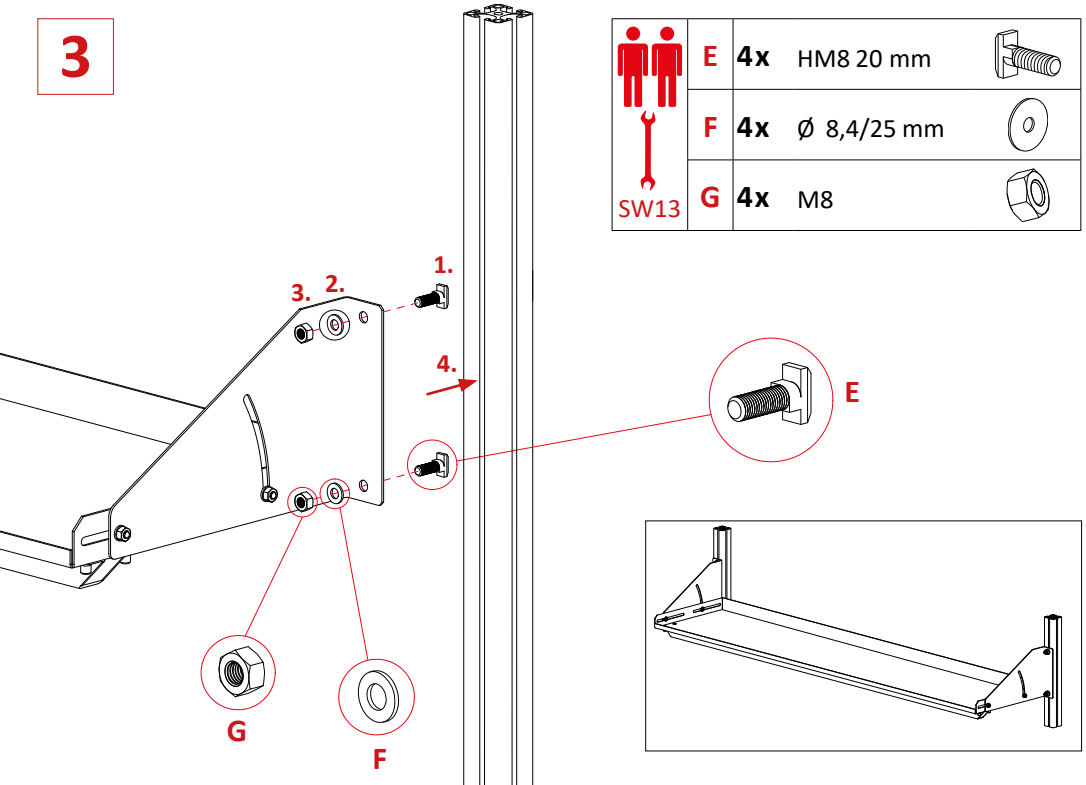
1



A 4x M5 x10 mm

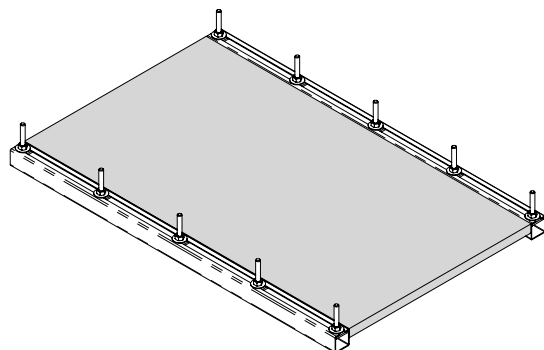
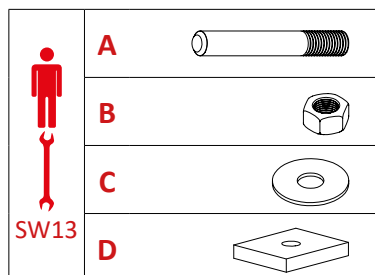
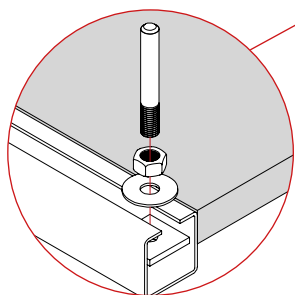
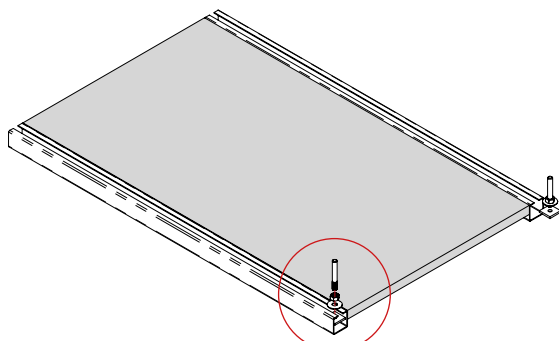


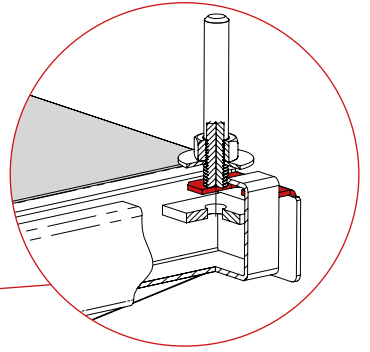
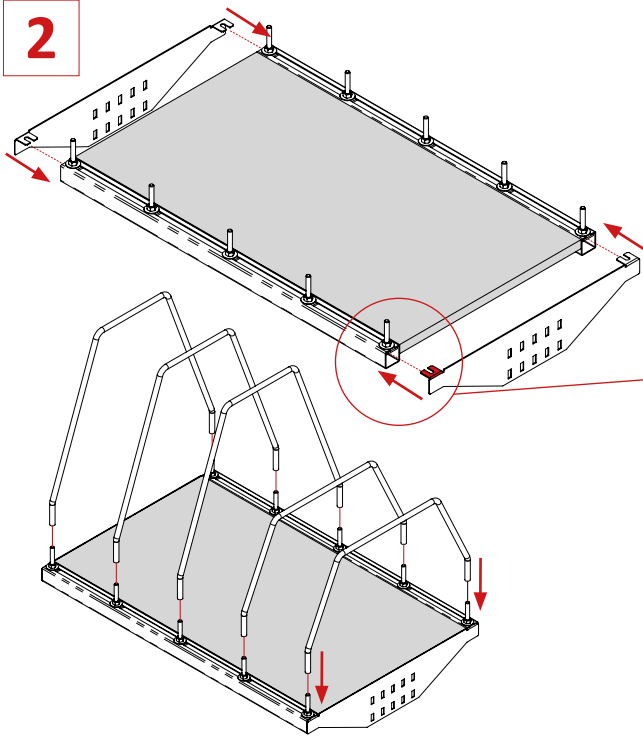
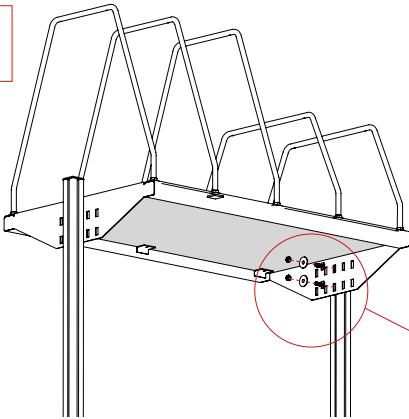
A

**2****3**

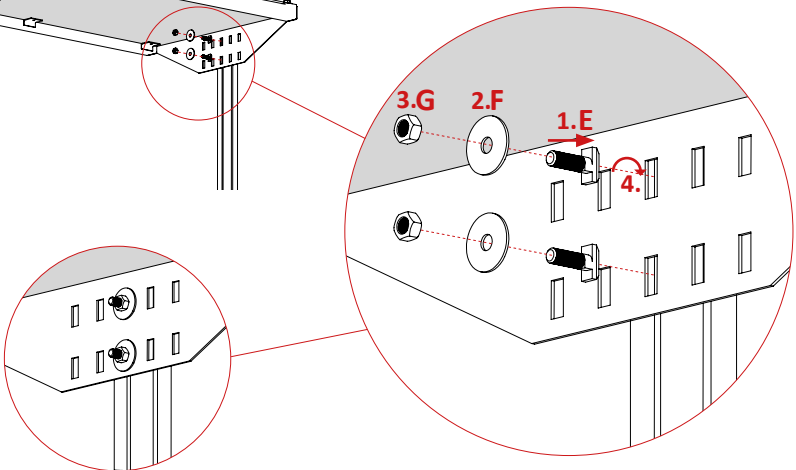


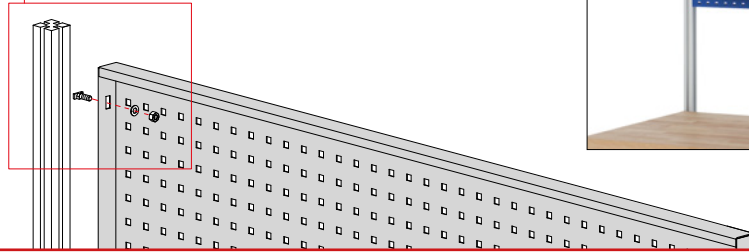
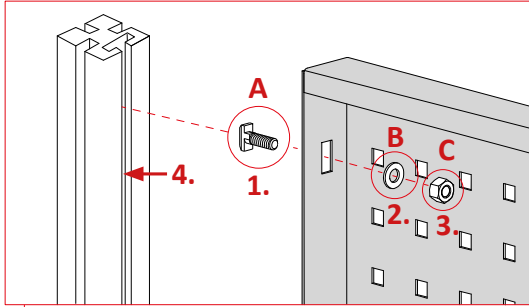
1



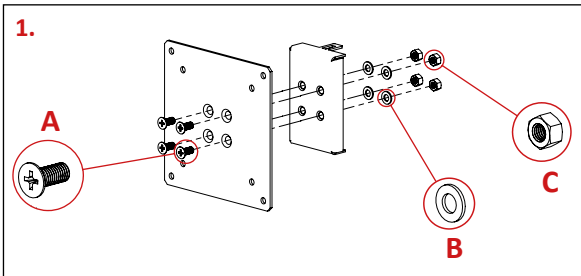
**2****3**

	<b>E</b>	<b>4x</b> M8 x 20 mm	
	<b>F</b>	<b>4x</b> $\varnothing$ 8,4/25 mm	
	<b>G</b>	<b>4x</b> M8	

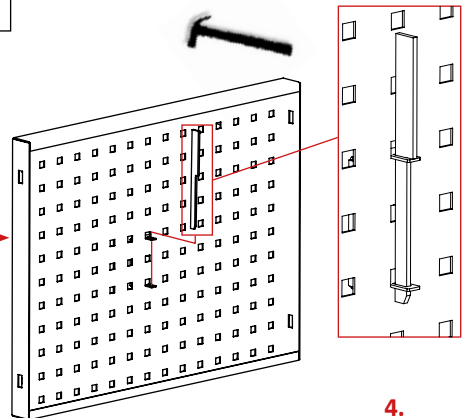
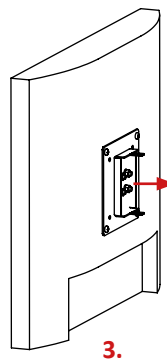
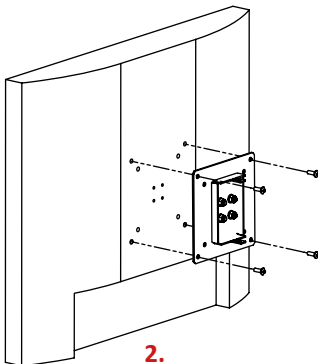


**8**EE-LP ...  
E-LP ...

 SW13	<b>A</b> <b>4x</b> HM8 x 20 mm	
	<b>B</b> <b>4x</b> Ø 8,4x25 mm	
	<b>C</b> <b>4x</b> M8	

**E-FBH**


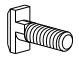


 SW8	<b>A</b> <b>4x</b> M5 x 12 mm	
	<b>B</b> <b>4x</b> Ø 5,3 / 10 mm	
	<b>C</b> <b>4x</b> M5	

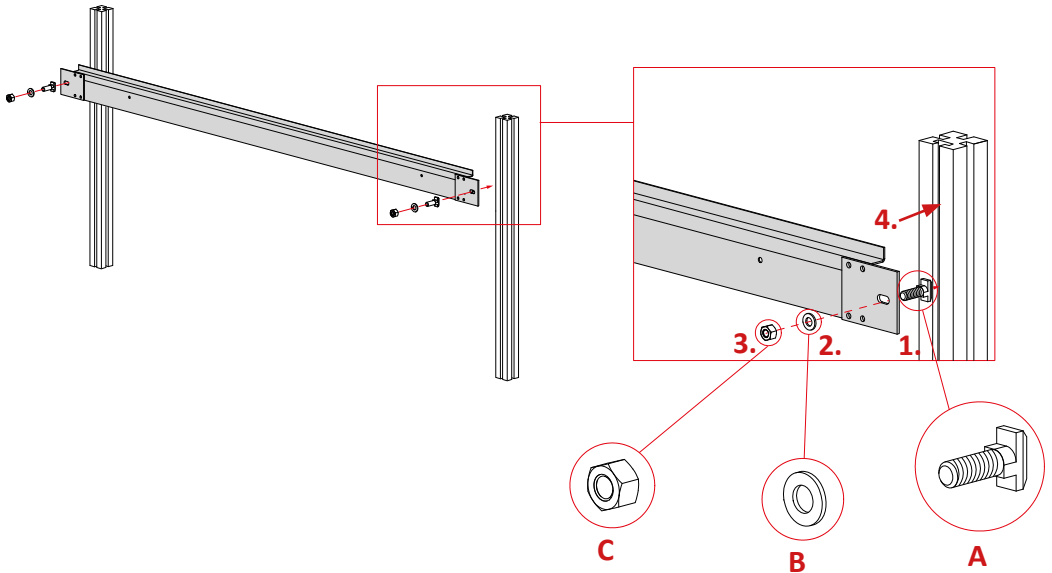






1

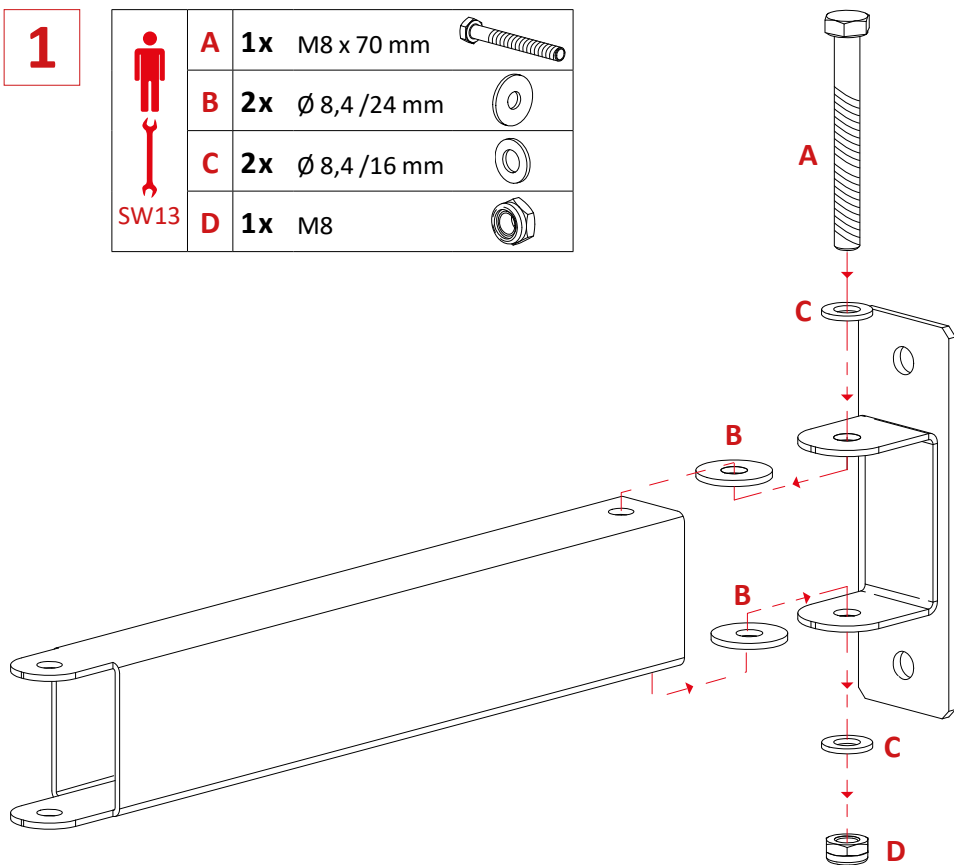
 SW13	<b>A</b>	<b>2x</b> HM8 x 20 mm	
	<b>B</b>	<b>2x</b> $\varnothing$ 8,4/18 mm	
	<b>C</b>	<b>2x</b> M8	

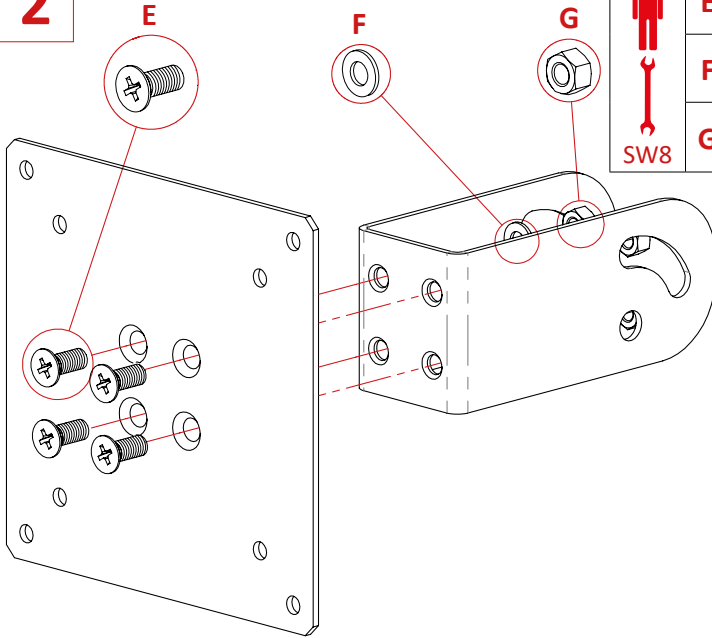




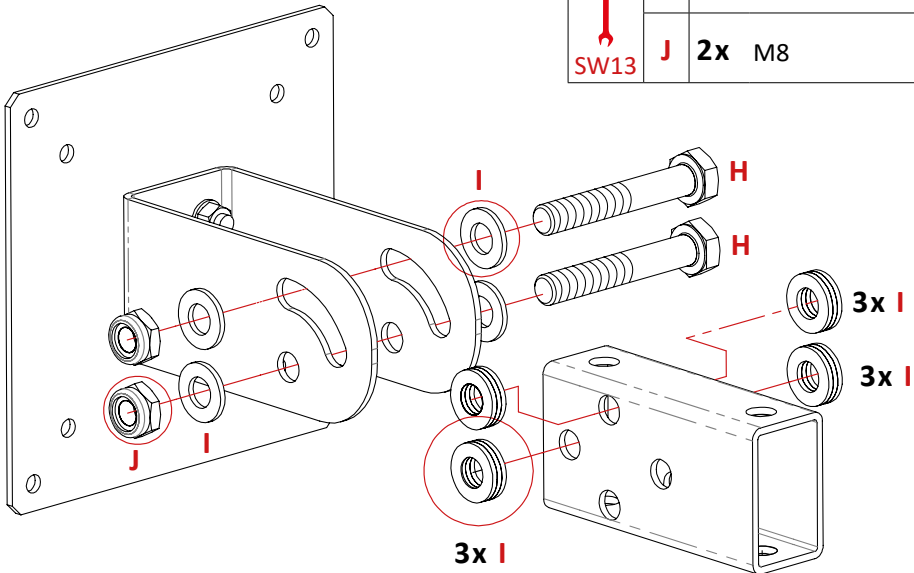
1

 SW13	<b>A</b>	<b>1x</b> M8 x 70 mm	
	<b>B</b>	<b>2x</b> Ø 8,4 / 24 mm	
	<b>C</b>	<b>2x</b> Ø 8,4 / 16 mm	
	<b>D</b>	<b>1x</b> M8	



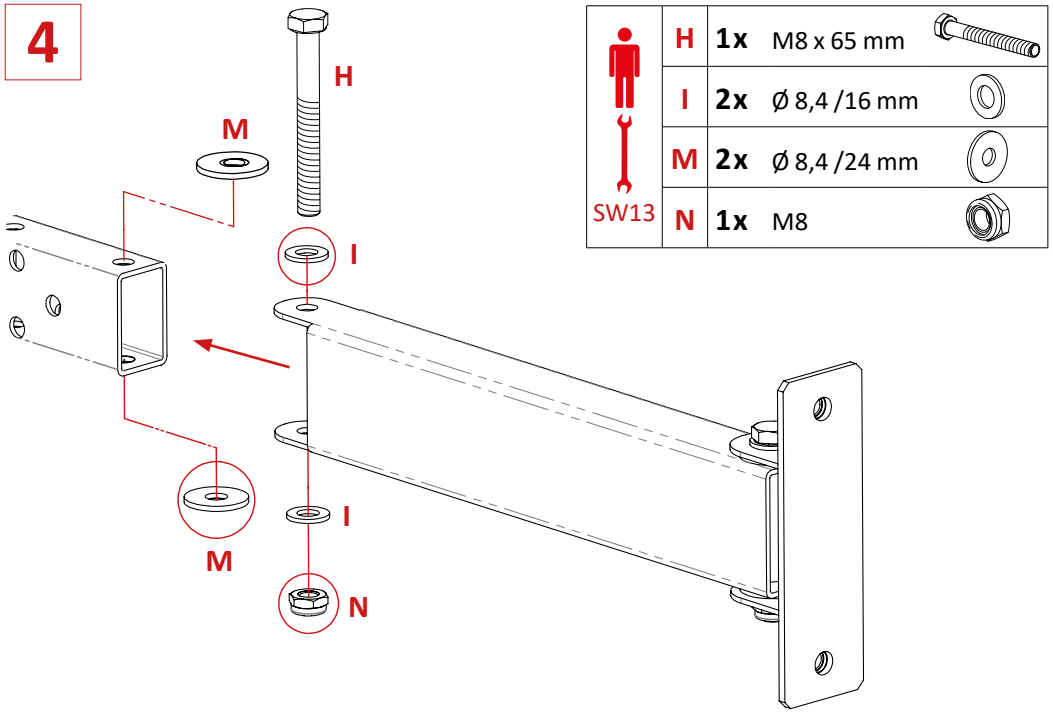
**2**

	<b>E</b>	<b>4x</b> M5 x 12	
	<b>F</b>	<b>4x</b> $\varnothing$ 5,3 / 10 mm	
	<b>G</b>	<b>4x</b> M5	

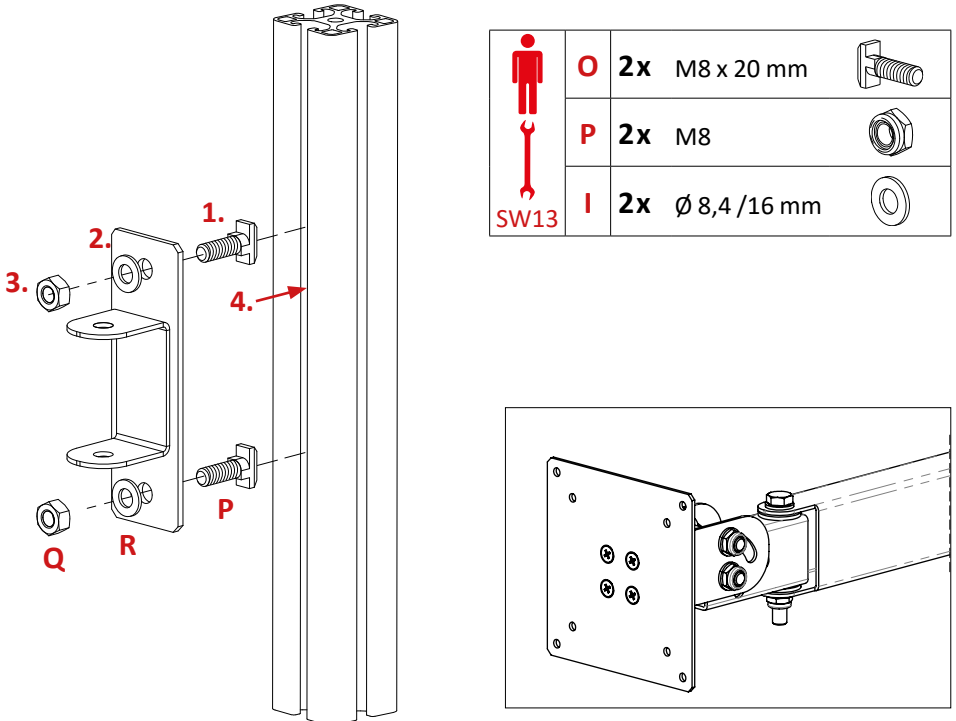
**3**

	<b>H</b>	<b>2x</b> M8 x 50 mm	
	<b>I</b>	<b>16x</b> $\varnothing$ 8,4 / 16 mm	
	<b>J</b>	<b>2x</b> M8	

4


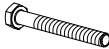





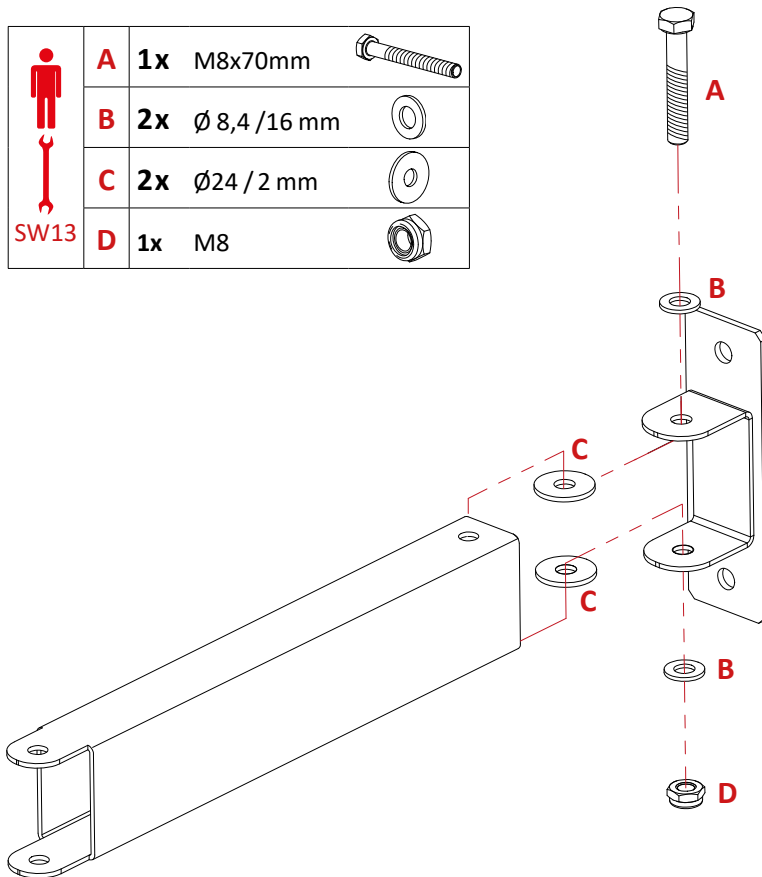
5



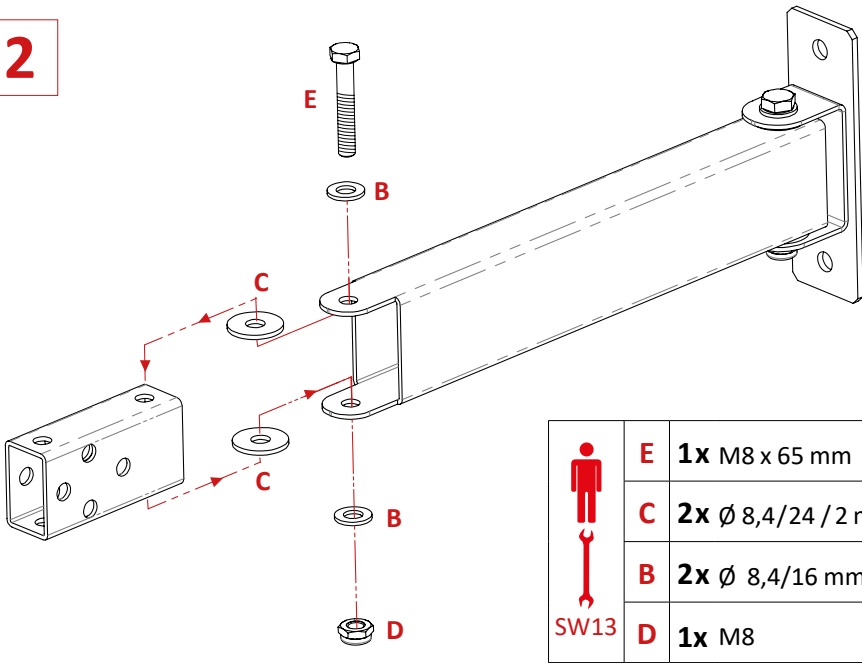



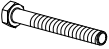



1

 SW13	<b>A</b>	<b>1x</b> M8x70mm	
	<b>B</b>	<b>2x</b> Ø 8,4 /16 mm	
	<b>C</b>	<b>2x</b> Ø24 /2 mm	
	<b>D</b>	<b>1x</b> M8	

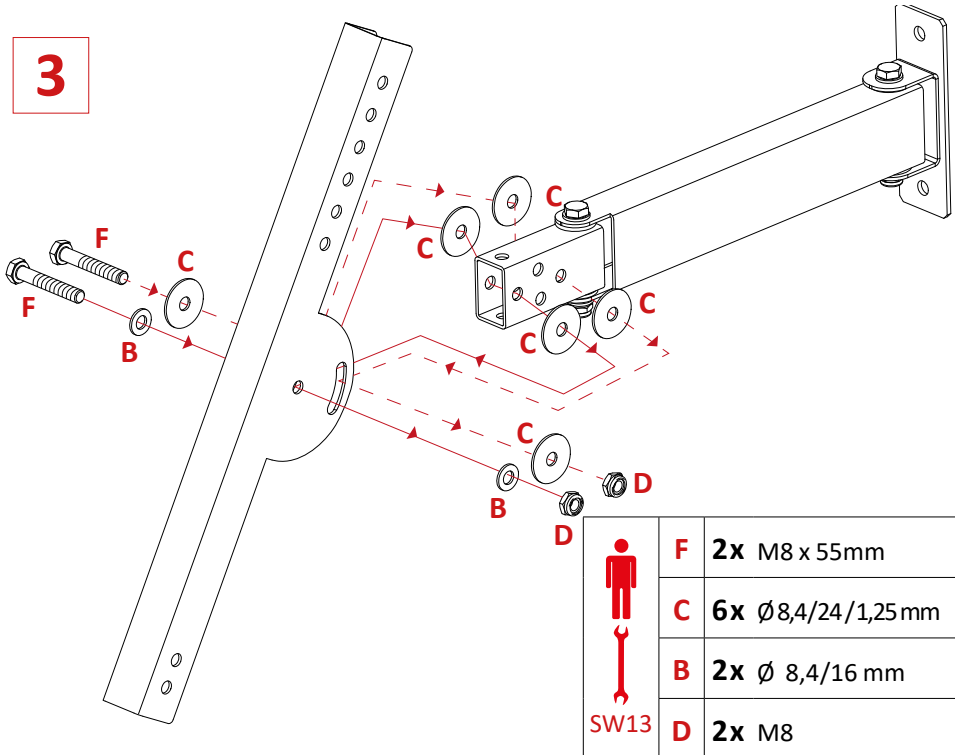



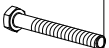



2

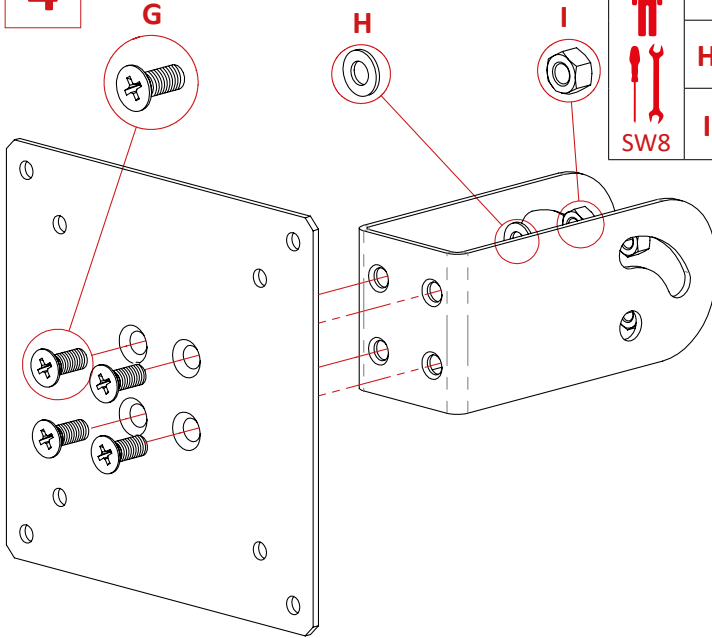







 SW13	<b>E</b> 1x M8 x 65 mm	
	<b>C</b> 2x $\varnothing 8,4/24 / 2$ mm	
	<b>B</b> 2x $\varnothing 8,4/16$ mm	
	<b>D</b> 1x M8	

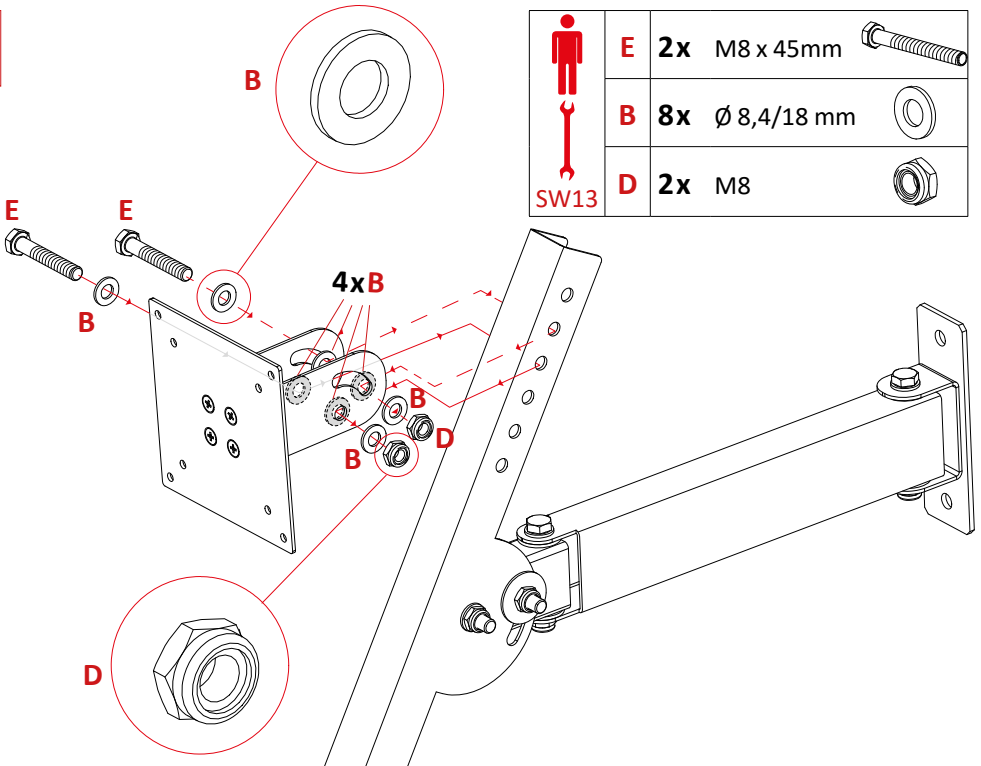
3



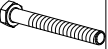




 SW13	<b>F</b> 2x M8 x 55mm	
	<b>C</b> 6x $\varnothing 8,4/24/1,25$ mm	
	<b>B</b> 2x $\varnothing 8,4/16$ mm	
	<b>D</b> 2x M8	


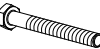


**4**

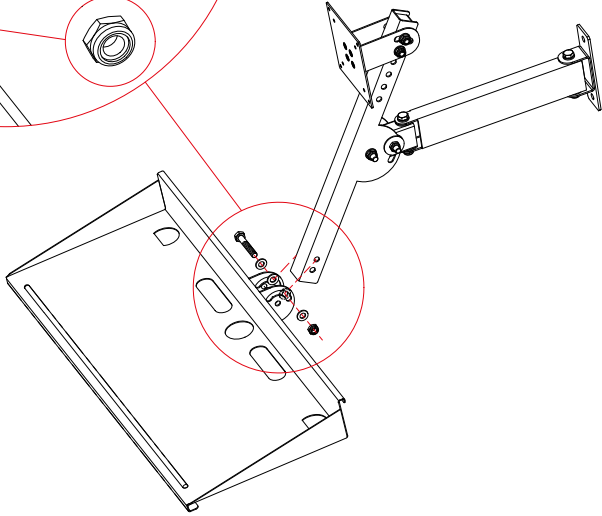
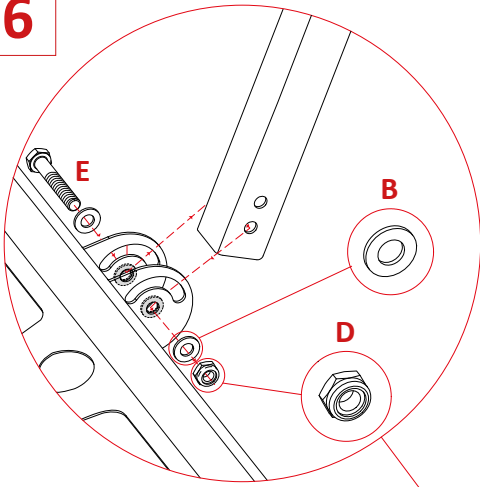
  <b>SW8</b>	<b>G</b> <b>4x</b> M5 x 12mm	
	<b>H</b> <b>4x</b> $\varnothing$ 5,3/10 mm	
	<b>I</b> <b>4x</b> M5	


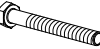


**5**

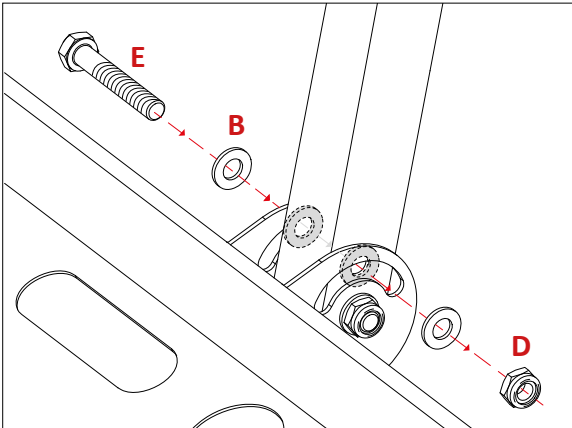
  <b>SW13</b>	<b>E</b> <b>2x</b> M8 x 45mm	
	<b>B</b> <b>8x</b> $\varnothing$ 8,4/18 mm	
	<b>D</b> <b>2x</b> M8	

**6**

 <b>SW13</b>	<b>E</b> <b>1x</b> M8 x 50 mm	
	<b>B</b> <b>4x</b> Ø 8,4/16 mm	
	<b>D</b> <b>1x</b> M8	


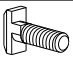


**7**

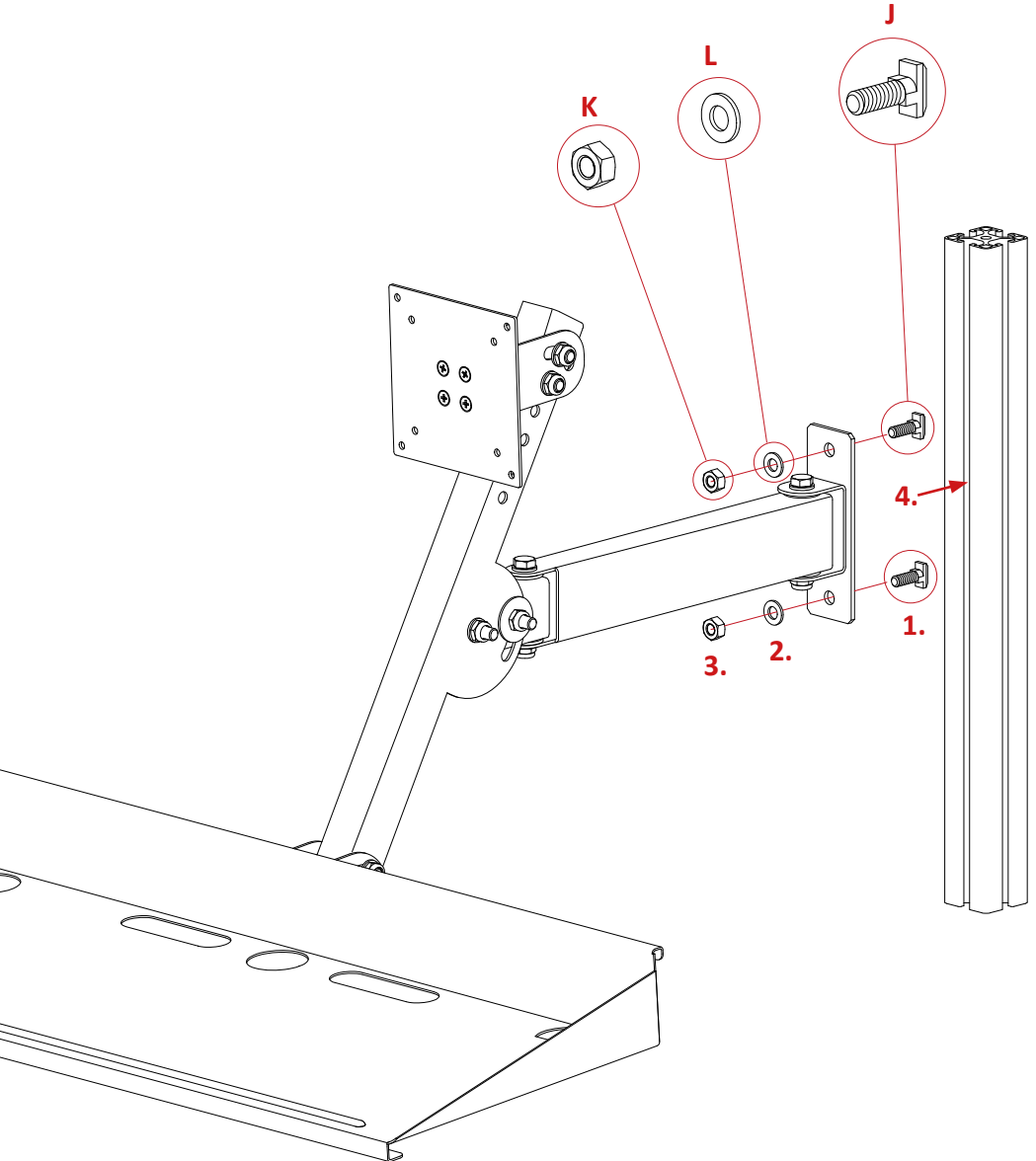
 <b>SW13</b>	<b>E</b> <b>1x</b> M8 x 50 mm	
	<b>B</b> <b>4x</b> Ø 8,4/16 mm	
	<b>D</b> <b>1x</b> M8	

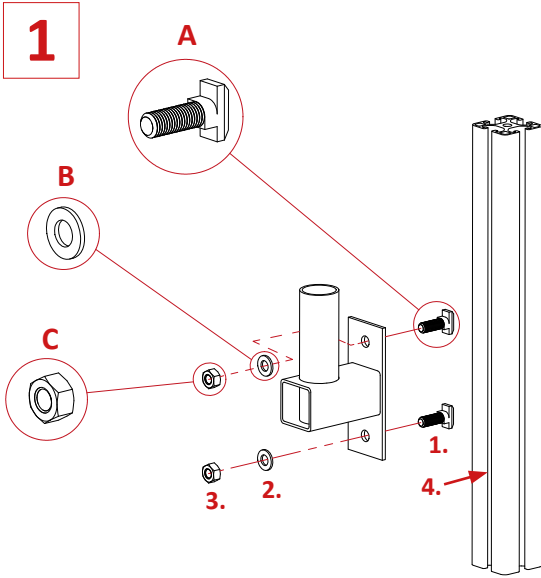




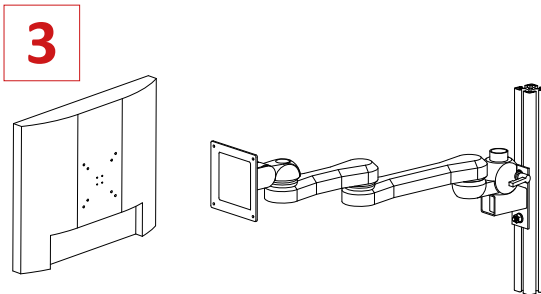
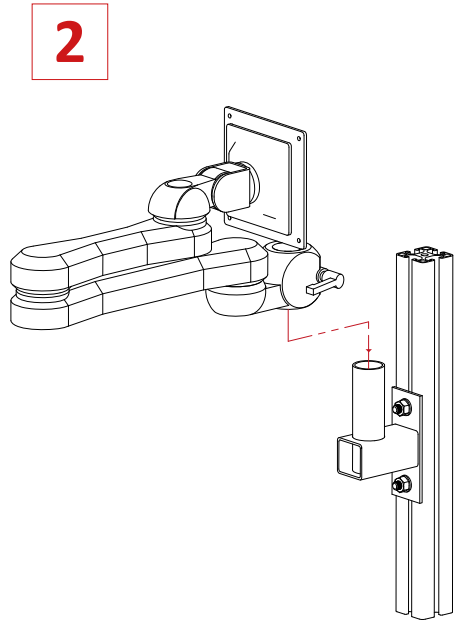
**8**

 SW13	<b>J</b>	<b>2x</b> HM8x 20 mm	
	<b>K</b>	<b>2x</b> M8	
	<b>L</b>	<b>2x</b> Ø 8,4/18 mm	




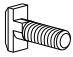




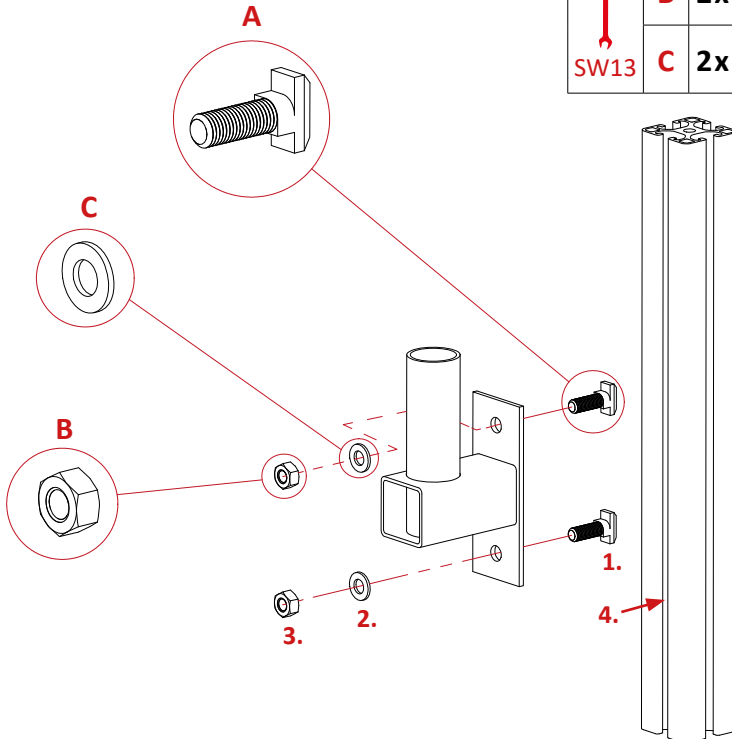
	<b>A</b> 2x	HM8 x 20 mm	
	<b>B</b> 2x	M8	
	<b>C</b> 2x	Ø 8,4/16 mm	

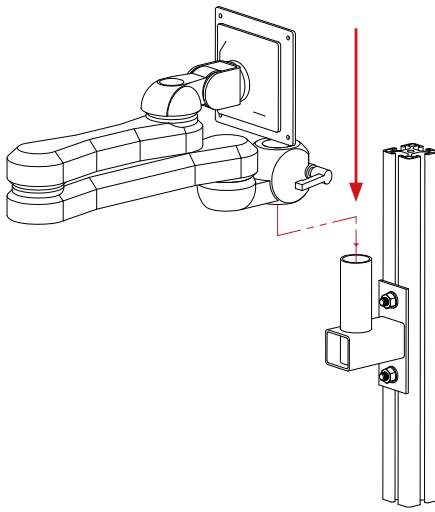




1

 SW13	<b>A</b> 2x	HM8 x 20 mm	
	<b>B</b> 2x	M8	
	<b>C</b> 2x	Ø 8,4/16 mm	



**2****3**