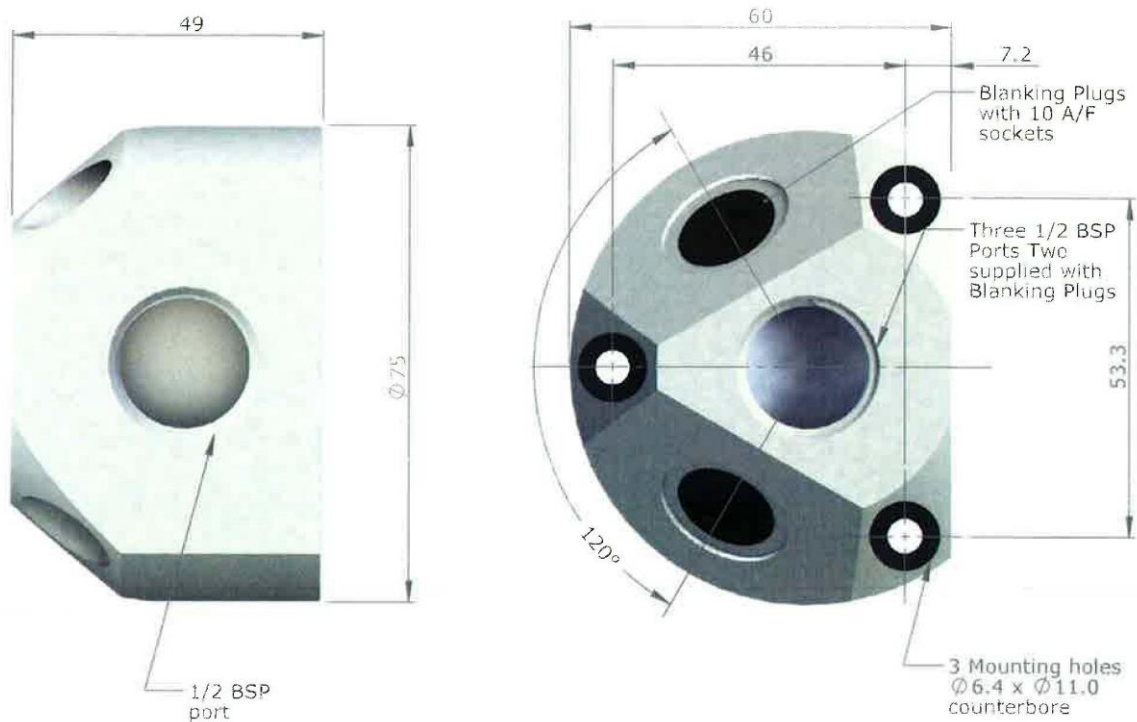


für Serie »speedfit« und »sharkbite«

Mit 2 Stopfen

**Art.-Nr. 87.012**


Dimensions in mm - nominal unless stated otherwise

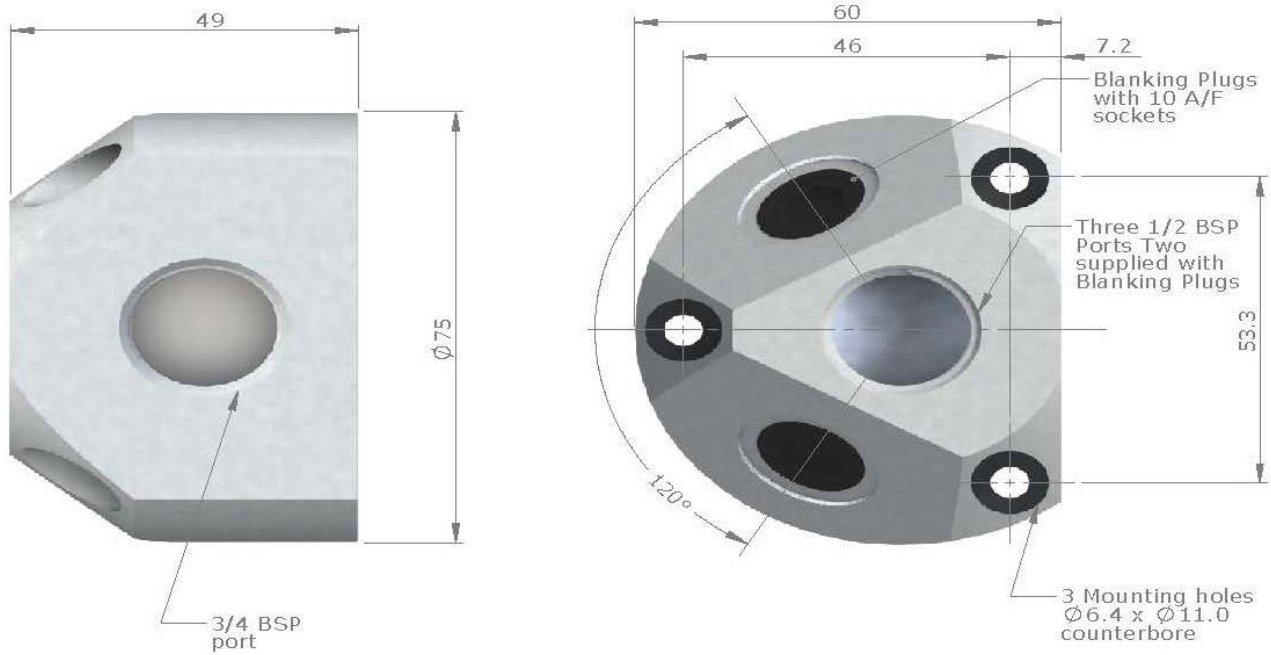
**Parts List**

Part Description	Material	Part Description	Material
Body	Aluminium	Plugs	Nylon 6 30% Glass Filled
'O' Rings	Nitrile 70 IRHD, Black		

**Technical Information**

Working Pressures & Temperatures	Applications
10 bar @ 23°C 7 bar @ 70°C Minimum Temperature -20°C	Air Ring Main ✓

Art.-Nr. 87.034



Dimensions in mm - nominal unless stated otherwise

Parts List			
Part Description	Material	Part Description	Material
Body	Aluminium	Plugs	Nylon 6 30% Glass Filled
'O' Rings	Nitrile 70 IRHD, Black		
Technical Information			
Working Pressures & Temperatures		Applications	
10 bar @ 23°C 7 bar @ 70°C Minimum Temperature -20°C		Air Ring Main	✓