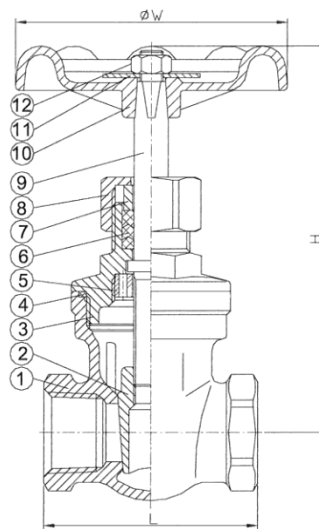


Screwed end gate valve manual

The Structure of Screwed End Gate Valve

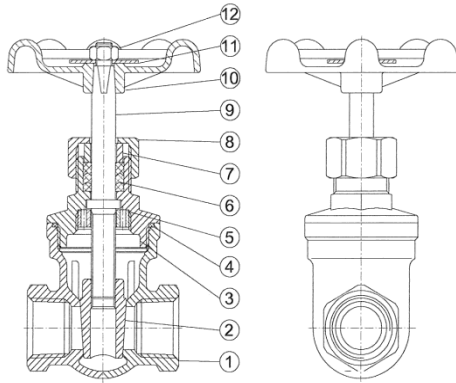


The front view of screwed end ball valve

Summary:

- The assembly to stop and switch of the gate valve is the disc, disc's movement and the direction of the fluid is vertical. Gate valve is only applicable to full open or full close, not allowed to make adjustments and throttle.

The structure of screwed end Gate Valve and their names:



MATERIALS LIST:

NO.	PART NAME	MATERIAL
1	BODY	CF8M
2	DISC	CF8M
3	BONNET	CF8M
4	GASKET	PTFE
5	WHORL GASKET	SUS304
6	PACKING	PTFE
7	GLAND	SUS304
8	CAP NUT	CF8M
9	STEM	SUS316
10	HANDLE	ALUMINUM
11	NAMEPLATE	ALUMINUM
12	NUT	SUS304

the structure and part name of screwed end Gate Valve

The detailed instructions

The basic introduction

1. switch

10 (HANDLE)

Hand wheel rotate, the stem driven with the disc standards for the direction of reciprocating movement, the gate valve to achieve the purpose. Hand wheel 10 (HANDLE) has the top S and O marker, the direction of rotation of shows close; while the one of O is open.

2. connet

Connections at both ends are the thread,which need to be correspond with the thread pipeline.

The maintenance when it works

1. the leakage in the joint between 1(BODY)and 3 (BONNET)
4 (GASKET)

Cause: For the long time use and regular force, the joint between 1(BODY) and 3(BONNET) get less tight, as a result the pressure on 4(GASKET) reduces, so it leaks.

3 (BONNET) 4 (GASKET)

Method: Select a suitable wrench to lock bonnet appropriately, and then the pressure on gasket was increased, the sealed effect between body and bonnet was well to prevent the leakage.

The method can carry on termly.

2. Leakage in the 9(STEM) 6 (PACKING) 9 (STEM)

Cause: For the long time use and regular force, the elastic deformation of the 6 (PACKING) will gradually become smaller, which make the stem performance of the stem getting bad,lead to seal leakage.

8 (CAP NUT) 6 (PACKING)

Cause: Select a suitable wrench to lock the 8 (CAP NUT) appropriately, and then the pressure on the 6 (PACKING) was increased, the sealed effect between body and bonnet was well to prevent the leakage.

The method can carry on termly. Repair

After a cycle of use, there still be leakage after above approach, it should be repaired.

A. The leakage on the connection between body and bonnet

4 (GASKET) Method: replace the 4 (GASKET)

A-1 Tear down

- 3 (BONNET)

Release the body and bonnet ,and take them down.

- 4 (GASKET) ; Take the 4 (GASKET) out

A-2 installation

- 4 (GASKET)

Put a new gasket into the body, make sure that it levels up

- Connect the bonnet to the body,
select a suitable wrench to lock bonnet appropriately.

B. Leakage in the 9(STEM)

6 (PACKING) Method: replace the 6 (PACKING)

B-1 Tear down

- 12 (STEM NUT)、 11 (NAMEPLATE)、 10 (HANDLE)、
8 (CAP NUT) ; Discharge the (STEM NUT) ,the (NAMEPLATE), the
(HANDLE) and the (CAP NUT) .

- 7(GLAIND) 8 (CAP NUT) ; Take the (GLAIND) out of the 8 (CAP NUT) .

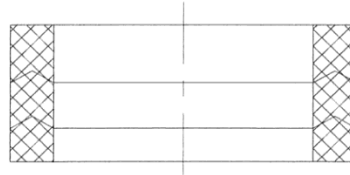
B-2 installation

- 8 (CAP NUT) 7(GLAIND)
; put a new 8 (CAP NUT) into the bonnet then put the 7(GLAIND), make
sure that it levels up

8 (CAP NUT)

- Fix the 8 (CAP

NUT) onto bonnet , select a suitable wrench to lock bonnet appropriately.



Join the packing into stem as figure4 –A direction, note the direction,

The leakage check

- After repaired , it should be checked up, if it still leaks , then mend it in the light of Part Two.

Gilt für folgende Artikel:

Muffen-Absperrschieber, Gehäuse Messing

Artikel Nr.	Typen Nr.
103774 bis 103782	250.33 bis 250.41

Muffen-Absperrventil, Gehäuse Messing

Artikel Nr.	Typen Nr.
103789 bis 103794	250.51 bis 250.56

Muffen-Absperrschieber, Edelstahl

Artikel Nr.	Typen Nr.
103783 bis 103788	250.34 ES bis 250.39 ES