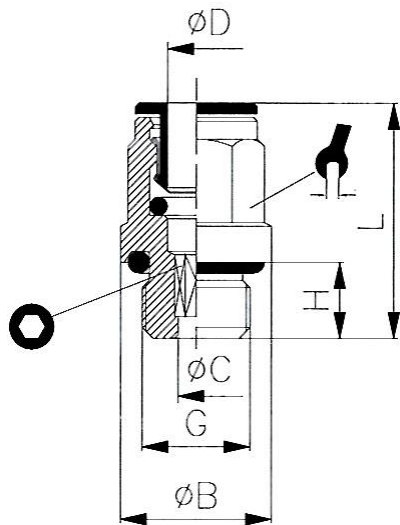




Preiswerte, qualitativ sehr hochwertige Serie von Steckverbindern aus vernickeltem Messing. Kleine platzsparende Bauweise und geringes Gewicht. Bei den Teilen mit Außengewinde sorgt ein O-Ring in der Hohlkehle am Ende des Gewindes für eine dichte Verbindung auch an rauen Oberflächen.

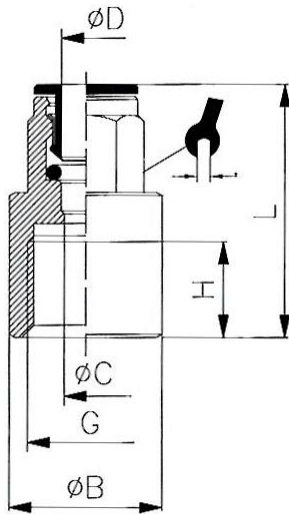
| | |
|-----------------------|----------------------------|
| Material: | Messing vernickelt |
| Dichtmaterial: | NBR, silikonfrei |
| Spannzange: | Edelstahl AISI 316 |
| Betriebsdruck: | max. 16,0 bar (bei +20 °C) |
| Betriebstemperatur: | -20 °C bis +70 °C |
| Empfohlener Schlauch: | PA, PU |



45.014-8-E


Gerade Einschraubverschraubung mit Außengewinde

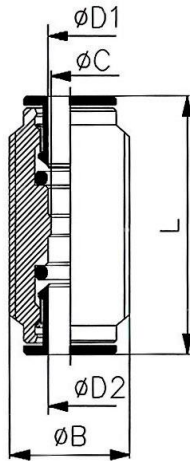
| Artikel Nr. | Typen Nr. | ØD | G | ØC | ØB | H | L |  |  | Löseform |
|--|-------------|------|-------|------|------|------|------|---|---|-------------------|
| 115912 | 45.005-4-E | 4,0 | M5 | 2,6 | 9,0 | 4,0 | 20,5 | - | 3 | Hostaform |
| 115913 | 45.005-6-E | 6,0 | M5 | 2,6 | 10,5 | 4,0 | 22,5 | - | 3 | Hostaform |
| 115920 | 45.018-4-E | 4,0 | G 1/8 | 2,6 | 13,5 | 6,0 | 20,0 | 9 | 3 | Hostaform |
| 115921 | 45.018-6-E | 6,0 | G 1/8 | 4,2 | 13,5 | 6,0 | 24,0 | 11 | 4 | Hostaform |
| 115922 | 45.018-8-E | 8,0 | G 1/8 | 5,0 | 13,0 | 6,0 | 26,5 | 13 | 5 | Hostaform |
| 115917 | 45.014-4-E | 4,0 | G 1/4 | 2,6 | 17,0 | 8,0 | 21,0 | 9 | 3 | Hostaform |
| 115918 | 45.014-6-E | 6,0 | G 1/4 | 5,0 | 17,0 | 8,0 | 24,0 | 11 | 4 | Hostaform |
| 115919 | 45.014-8-E | 8,0 | G 1/4 | 6,2 | 17,0 | 8,0 | 25,0 | 13 | 6 | Hostaform |
| 115916 | 45.014-10-E | 10,0 | G 1/4 | 7,3 | 16,0 | 8,0 | 29,5 | 16 | 7 | Ms. vern. schwarz |
| Artikel Nr. 115916 = Auslaufartikel. Artikel nicht mehr verfügbar. Ersatzartikel 108562 (745.014-10) | | | | | | | | | | |
| 115925 | 45.038-8-E | 8,0 | G 3/8 | 6,2 | 20,0 | 9,0 | 25,0 | 13 | 6 | Hostaform |
| 115923 | 45.038-10-E | 10,0 | G 3/8 | 8,3 | 21,0 | 9,0 | 29,5 | 16 | 8 | Ms. vern. schwarz |
| Artikel Nr. 115923 = Auslaufartikel. Artikel nicht mehr verfügbar. Ersatzartikel 108565 (745.038-10) | | | | | | | | | | |
| 115924 | 45.038-12-E | 12,0 | G 3/8 | 10,3 | 21,0 | 9,0 | 31,0 | 18 | 10 | Ms. vern. schwarz |
| 115914 | 45.012-10-E | 10,0 | G 1/2 | 8,2 | 24,0 | 11,0 | 30,0 | 16 | 8 | Ms. vern. schwarz |
| Artikel Nr. 115914 = Auslaufartikel. Artikel nicht mehr verfügbar. Ersatzartikel 108568 (745.012-10) | | | | | | | | | | |
| 115915 | 45.012-12-E | 12,0 | G 1/2 | 10,3 | 24,0 | 11,0 | 31,0 | 18 | 10 | Ms. vern. schwarz |



46.014-8-E

Gerade Aufschraubverschraubung mit Innengewinde

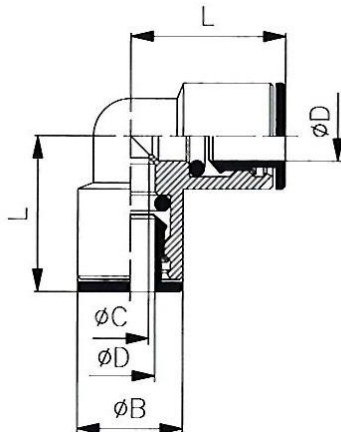
| Artikel Nr. | Typen Nr. | ØD | G | ØC | ØB | H | L |  | Lösering |
|--|-------------|------|-------|-----|------|------|------|--|-------------------|
| 115929 | 46.018-4-E | 4,0 | G 1/8 | 3,0 | 11,0 | 6,0 | 26,5 | 9 | Hostaform |
| 115930 | 46.018-6-E | 6,0 | G 1/8 | 5,0 | 11,0 | 6,0 | 27,0 | 11 | Hostaform |
| 115931 | 46.018-8-E | 8,0 | G 1/8 | 7,0 | 11,0 | 6,0 | 28,0 | 13 | Hostaform |
| 115927 | 46.014-6-E | 6,0 | G 1/4 | 5,0 | 16,0 | 13,0 | 31,0 | 11 | Hostaform |
| 115928 | 46.014-8-E | 8,0 | G 1/4 | 7,0 | 16,0 | 13,0 | 32,0 | 13 | Hostaform |
| 115926 | 46.014-10-E | 10,0 | G 1/4 | 9,0 | 16,0 | 13,0 | 32,0 | 16 | Ms. vern. schwarz |
| Artikel Nr. 115926 = Auslaufartikel. Artikel nicht mehr verfügbar. Ersatzartikel 108580 (746.014-10) | | | | | | | | | |



47.008-E

Gerade Verbinder

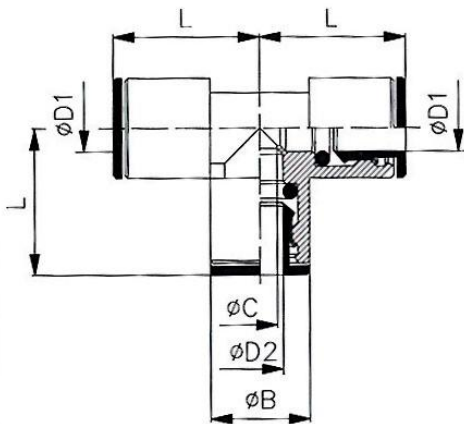
| Artikel Nr. | Typen Nr. | ØD1 | ØD2 | ØC | ØB | L | Lösering |
|---|-----------|------|------|------|------|------|-------------------|
| 115932 | 47.004-E | 4,0 | 4,0 | 3,0 | 9,0 | 32,0 | Hostaform |
| 115933 | 47.006-E | 6,0 | 6,0 | 5,0 | 11,0 | 33,5 | Hostaform |
| 115934 | 47.008-E | 8,0 | 8,0 | 7,0 | 13,0 | 38,0 | Hostaform |
| 115935 | 47.010-E | 10,0 | 10,0 | 9,0 | 15,0 | 39,5 | Ms. vern. schwarz |
| Artikel Nr. 115935 = Auslaufartikel. Artikel nicht mehr verfügbar. Ersatzartikel 108725 (747.010) | | | | | | | |
| 115936 | 47.012-E | 12,0 | 12,0 | 11,0 | 17,0 | 42,0 | Ms. vern. schwarz |



48.008-E

Winkelverbinder

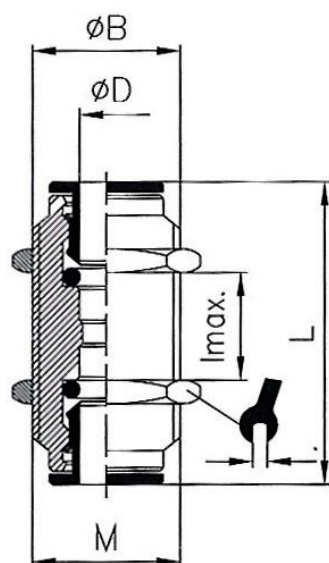
| Artikel Nr. | Typen Nr. | ØD | ØC | ØB | L | Lösering |
|---|-----------|------|------|------|------|-------------------|
| 115937 | 48.004-E | 4,0 | 3,0 | 9,0 | 17,5 | Hostaform |
| 115938 | 48.006-E | 6,0 | 5,0 | 11,0 | 19,5 | Hostaform |
| 115939 | 48.008-E | 8,0 | 7,0 | 13,0 | 23,0 | Hostaform |
| 115940 | 48.010-E | 10,0 | 8,0 | 15,0 | 25,0 | Ms. vern. schwarz |
| Artikel Nr. 115940 = Auslaufartikel. Artikel nicht mehr verfügbar. Ersatzartikel 108757 (748.010) | | | | | | |
| 115941 | 48.012-E | 12,0 | 10,0 | 17,0 | 27,0 | Ms. vern. schwarz |



49.008-E


T-Verbinder

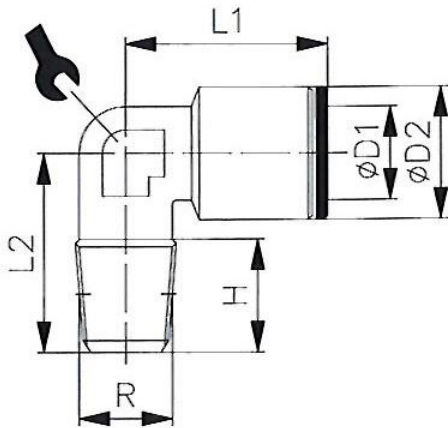
| Artikel Nr. | Ident Nr. | ØD1 | ØD2 | ØC | ØB | L | Lösering |
|---|-----------|------|------|------|------|------|-------------------|
| 49.004-E | 115942 | 4,0 | 4,0 | 3,0 | 9,0 | 17,5 | Hostaform |
| 49.006-E | 115943 | 6,0 | 6,0 | 5,0 | 11,0 | 19,5 | Hostaform |
| 49.008-E | 115944 | 8,0 | 8,0 | 7,0 | 13,0 | 23,0 | Hostaform |
| 49.010-E | 115945 | 10,0 | 10,0 | 8,0 | 15,0 | 25,0 | Ms. vern. schwarz |
| Artikel Nr. 115945 = Auslaufartikel. Artikel nicht mehr verfügbar. Ersatzartikel 108765 (749.010) | | | | | | | |
| 49.012-E | 115946 | 12,0 | 12,0 | 10,0 | 17,0 | 27,0 | Ms. vern. schwarz |



51.016-8-E


Schottverschraubung

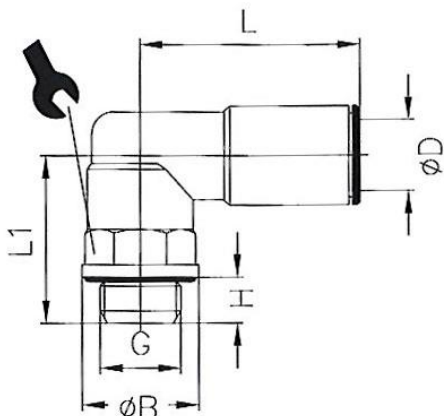
| Artikel Nr. | Typen Nr. | ØD | ØC | M | lmax. | L |  | Lösering |
|--|-------------|------|------|--------|-------|------|---|-------------------|
| 115947 | 51.012-4-E | 4,0 | 3,0 | M 10x1 | 8,0 | 32,0 | 13 | Hostaform |
| 115948 | 51.014-6-E | 6,0 | 5,0 | M 14x1 | 8,0 | 33,5 | 17 | Hostaform |
| 115949 | 51.016-8-E | 8,0 | 7,0 | M 16x1 | 10,0 | 37,0 | 18 | Hostaform |
| 115950 | 51.020-10-E | 10,0 | 9,0 | M 17x1 | 12,0 | 39,5 | 20 | Ms. vern. schwarz |
| Artikel Nr. 115950 = Auslaufartikel. Artikel nicht mehr verfügbar. Ersatzartikel 108741 (751.020-10) | | | | | | | | |
| 115951 | 51.022-12-E | 12,0 | 11,0 | M 20x1 | 17,0 | 42,0 | 24 | Ms. vern. schwarz |



52.014-8-E


Winkeleinschraubverschraubung, Außengewinde konisch

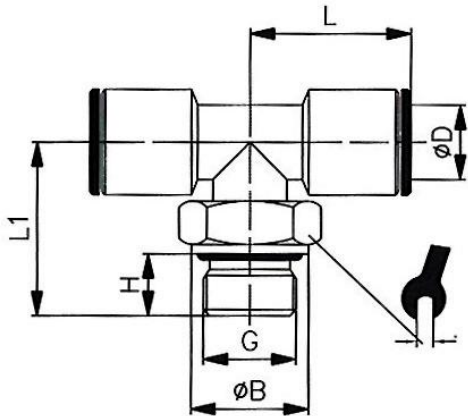
| Artikel Nr. | Typen Nr. | ØD1 | R | ØD2 | H | L1 | L2 |  | Löseering |
|-------------|-------------|------|-----|------|------|------|------|---|-------------------|
| 116196 | 52.018-4-E | 4,0 | 1/8 | 9,0 | 8,0 | 16,1 | 17,5 | 10 | Hostaform |
| 116197 | 52.018-6-E | 6,0 | 1/8 | 11,0 | 9,0 | 20,0 | 17,5 | 10 | Hostaform |
| 116198 | 52.018-8-E | 8,0 | 1/8 | 13,0 | 10,0 | 24,0 | 18,5 | 10 | Hostaform |
| 116194 | 52.014-6-E | 6,0 | 1/4 | 11,0 | 12,0 | 23,0 | 22,0 | 12 | Hostaform |
| 116195 | 52.014-8-E | 8,0 | 1/4 | 13,0 | 12,0 | 24,0 | 22,0 | 12 | Hostaform |
| 116193 | 52.014-10-E | 10,0 | 1/4 | 15,0 | 12,0 | 24,0 | 22,0 | 14 | Ms. vern. schwarz |



54.014-8-E

Winkeleinschraubverschraubung, drehbar, Außengewinde zylindrisch

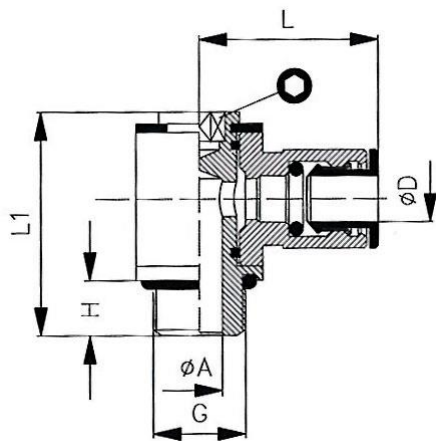
| Artikel Nr. | Typen Nr. | ØD | G | ØB | H | L | L1 |  | Lösering |
|-------------|-------------|------|-------|------|------|------|------|---|-------------------|
| 116199 | 54.005-4-E | 4,0 | M5 | 8,0 | 4,0 | 19,0 | 14,5 | 9 | Hostaform |
| 116200 | 54.005-6-E | 6,0 | M5 | 8,0 | 4,0 | 21,0 | 14,5 | 9 | Hostaform |
| 116207 | 54.018-4-E | 4,0 | G 1/8 | 13,0 | 6,0 | 19,0 | 20,0 | 13 | Hostaform |
| 116208 | 54.018-6-E | 6,0 | G 1/8 | 13,0 | 6,0 | 21,0 | 20,0 | 13 | Hostaform |
| 116209 | 54.018-8-E | 8,0 | G 1/8 | 13,0 | 6,0 | 24,0 | 20,0 | 13 | Hostaform |
| 116204 | 54.014-4-E | 4,0 | G 1/4 | 16,0 | 8,0 | 19,0 | 24,0 | 13 | Hostaform |
| 116205 | 54.014-6-E | 6,0 | G 1/4 | 16,0 | 8,0 | 21,0 | 24,0 | 13 | Hostaform |
| 116206 | 54.014-8-E | 8,0 | G 1/4 | 16,0 | 8,0 | 24,0 | 24,0 | 13 | Hostaform |
| 116203 | 54.014-10-E | 10,0 | G 1/4 | 16,0 | 8,0 | 27,0 | 24,0 | 16 | Ms. vern. schwarz |
| 116212 | 54.038-8-E | 8,0 | G 3/8 | 20,0 | 9,0 | 24,0 | 25,5 | 13 | Hostaform |
| 116210 | 54.038-10-E | 10,0 | G 3/8 | 20,0 | 9,0 | 27,0 | 28,0 | 16 | Ms. vern. schwarz |
| 116211 | 54.038-12-E | 12,0 | G 3/8 | 20,0 | 9,0 | 28,0 | 28,5 | 20 | Ms. vern. schwarz |
| 116201 | 54.012-10-E | 10,0 | G 1/2 | 25,0 | 11,0 | 27,0 | 30,0 | 16 | Ms. vern. schwarz |
| 116202 | 54.012-12-E | 12,0 | G 1/2 | 25,0 | 11,0 | 28,0 | 33,5 | 20 | Ms. vern. schwarz |



55.014-8-E

T-Einschraubverschraubung, drehbar, Außengewinde zylindrisch

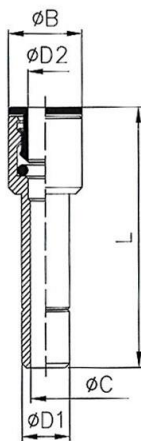
| Artikel Nr. | Typen Nr. | ØD | G | ØB | H | L | L1 | | Lösering |
|-------------|-------------|------|-------|------|-----|------|------|----|-------------------|
| 116216 | 55.018-4-E | 4,0 | G 1/8 | 13,0 | 6,0 | 17,5 | 18,5 | 13 | Hostaform |
| 116217 | 55.018-6-E | 6,0 | G 1/8 | 13,0 | 6,0 | 21,0 | 18,5 | 13 | Hostaform |
| 116218 | 55.018-8-E | 8,0 | G 1/8 | 13,0 | 6,0 | 23,0 | 20,5 | 13 | Hostaform |
| 116214 | 55.014-6-E | 6,0 | G 1/4 | 16,0 | 8,0 | 21,0 | 22,5 | 13 | Hostaform |
| 116215 | 55.014-8-E | 8,0 | G 1/4 | 16,0 | 8,0 | 23,0 | 22,5 | 13 | Hostaform |
| 116213 | 55.014-10-E | 10,0 | G 1/4 | 16,0 | 8,0 | 25,5 | 24,5 | 16 | Ms. vern. schwarz |



56.014-8-E

Winkelschwenkverschraubung, drehbar, Außengewinde zylindrisch

| Artikel Nr. | Typen Nr. | ØD | G | ØA | H | L1 | L | | Lösering |
|-------------|------------|-----|-------|-----|-----|------|------|---|-----------|
| 116275 | 56.005-4-E | 4,0 | M5 | 2,0 | 4,0 | 17,0 | 18,5 | 2 | Hostaform |
| 116278 | 56.018-4-E | 4,0 | G 1/8 | 5,5 | 6,0 | 25,0 | 21,0 | 3 | Hostaform |
| 116279 | 56.018-6-E | 6,0 | G 1/8 | 5,5 | 6,0 | 25,0 | 23,5 | 3 | Hostaform |
| 116280 | 56.018-8-E | 8,0 | G 1/8 | 5,5 | 6,0 | 25,0 | 24,5 | 3 | Hostaform |
| 116276 | 56.014-6-E | 6,0 | G 1/4 | 7,8 | 8,0 | 29,3 | 24,5 | 4 | Hostaform |
| 116277 | 56.014-8-E | 8,0 | G 1/4 | 7,8 | 8,0 | 29,3 | 26,0 | 4 | Hostaform |

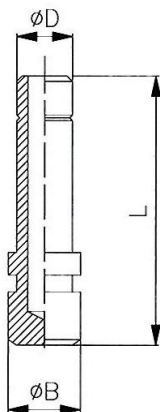


57.0604-E

Reduzierstücke

Nur für den Einsatz in Kombination mit Schnellsteckverbindungen der Serie »value line« empfohlen. Die Eignungsprüfung für den Einsatz mit anderen Serien obliegt dem Anwender.

| Typen Nr. | Artikel Nr. | ØD1 | ØD2 | ØC | ØB | L | Lösering |
|-----------|-------------|------|-----|-----|------|------|-------------------|
| 57.0604-E | 116295 | 6,0 | 4,0 | 3,0 | 9,0 | 30,5 | Hostaform |
| 57.0806-E | 116296 | 8,0 | 6,0 | 5,0 | 10,5 | 33,5 | Hostaform |
| 57.1006-E | 116297 | 10,0 | 6,0 | 5,0 | 10,5 | 37,5 | Ms. vern. schwarz |
| 57.1008-E | 116298 | 10,0 | 8,0 | 7,0 | 13,0 | 38,0 | Ms. vern. schwarz |



58.006-E

Verschlussstecker

Nur für den Einsatz in Kombination mit Schnellsteckverbindungen der Serie »value line« empfohlen. Die Eignungsprüfung für den Einsatz mit anderen Serien obliegt dem Anwender.

| Typen Nr. | Artikel Nr. | ØD | ØB | L |
|-----------|-------------|------|------|------|
| 58.004-E | 116299 | 4,0 | 5,0 | 25,5 |
| 58.006-E | 116300 | 6,0 | 7,0 | 27,5 |
| 58.008-E | 116301 | 8,0 | 9,0 | 30,5 |
| 58.010-E | 116302 | 10,0 | 11,0 | 35,0 |
| 58.012-E | 116303 | 12,0 | 13,0 | 37,0 |
| 58.014-E | 129490 | 14,0 | 15,0 | 39,5 |